



# UNITED STATES PATENT AND TRADEMARK OFFICE

UNITED STATES DEPARTMENT OF COMMERCE  
United States Patent and Trademark Office  
Address: COMMISSIONER FOR PATENTS  
P.O. Box 1450  
Alexandria, Virginia 22313-1450  
[www.uspto.gov](http://www.uspto.gov)

APPLICATION NO.	ISSUE DATE	PATENT NO.	ATTORNEY DOCKET NO.	CONFIRMATION NO.
13/536,700	08/30/2016	9430468	77434-40 / ELV0017PA	4371

24256 7590 08/10/2016  
DINSMORE & SHOHL LLP  
255 East Fifth Street, Suite 1900  
CINCINNATI, OH 45202

## ISSUE NOTIFICATION

The projected patent number and issue date are specified above.

### **Determination of Patent Term Adjustment under 35 U.S.C. 154 (b)** (application filed on or after May 29, 2000)

The Patent Term Adjustment is 577 day(s). Any patent to issue from the above-identified application will include an indication of the adjustment on the front page.

If a Continued Prosecution Application (CPA) was filed in the above-identified application, the filing date that determines Patent Term Adjustment is the filing date of the most recent CPA.

Applicant will be able to obtain more detailed information by accessing the Patent Application Information Retrieval (PAIR) WEB site (<http://pair.uspto.gov>).

Any questions regarding the Patent Term Extension or Adjustment determination should be directed to the Office of Patent Legal Administration at (571)-272-7702. Questions relating to issue and publication fee payments should be directed to the Application Assistance Unit (AAU) of the Office of Data Management (ODM) at (571)-272-4200.

APPLICANT(s) (Please see PAIR WEB site <http://pair.uspto.gov> for additional applicants):

Robin Jason Lopulalan, Rotterdam, NETHERLANDS;

The United States represents the largest, most dynamic marketplace in the world and is an unparalleled location for business investment, innovation, and commercialization of new technologies. The USA offers tremendous resources and advantages for those who invest and manufacture goods here. Through SelectUSA, our nation works to encourage and facilitate business investment. To learn more about why the USA is the best country in the world to develop technology, manufacture products, and grow your business, visit [SelectUSA.gov](http://SelectUSA.gov).

**PART B - FEE(S) TRANSMITTAL**

**Complete and send this form, together with applicable fee(s), to: Mail Mail Stop ISSUE FEE  
 Commissioner for Patents  
 P.O. Box 1450  
 Alexandria, Virginia 22313-1450  
 or Fax (571)-273-2885**

**INSTRUCTIONS:** This form should be used for transmitting the ISSUE FEE and PUBLICATION FEE (if required). Blocks 1 through 5 should be completed where appropriate. All further correspondence including the Patent, advance orders and notification of maintenance fees will be mailed to the current correspondence address as indicated unless corrected below or directed otherwise in Block 1, by (a) specifying a new correspondence address; and/or (b) indicating a separate "FEE ADDRESS" for maintenance fee notifications.

CURRENT CORRESPONDENCE ADDRESS (Note: Use Block 1 for any change of address)

Note: A certificate of mailing can only be used for domestic mailings of the Fee(s) Transmittal. This certificate cannot be used for any other accompanying papers. Each additional paper, such as an assignment or formal drawing, must have its own certificate of mailing or transmission.

24256 7590 04/21/2016  
**DINSMORE & SHOHL LLP**  
 255 East Fifth Street, Suite 1900  
 CINCINNATI, OH 45202

**Certificate of Mailing or Transmission**

I hereby certify that this Fee(s) Transmittal is being deposited with the United States Postal Service with sufficient postage for first class mail in an envelope addressed to the Mail Stop ISSUE FEE address above, or being facsimile transmitted to the USPTO (571) 273-2885, on the date indicated below.

Anthony L. Pisano	(Depositor's name)
/Anthony L. Pisano/	(Signature)
July 21, 2016	(Date)

APPLICATION NO.	FILING DATE	FIRST NAMED INVENTOR	ATTORNEY DOCKET NO.	CONFIRMATION NO.
13/536,700	06/28/2012	Robin Jason Lopulalan	77434-40 / ELV0017PA	4371

TITLE OF INVENTION: Online Peer Review System and Method

APPLN. TYPE	ENTITY STATUS	ISSUE FEE DUE	PUBLICATION FEE DUE	PREV. PAID ISSUE FEE	TOTAL FEE(S) DUE	DATE DUE
nonprovisional	UNDISCOUNTED	\$960	\$0	\$0	\$960	07/21/2016

EXAMINER	ART UNIT	CLASS-SUBCLASS
FAN, SHIOW-JY	2168	707-608000

<p>1. Change of correspondence address or indication of "Fee Address" (37 CFR 1.363).</p> <p><input type="checkbox"/> Change of correspondence address (or Change of Correspondence Address form PTO/SB/122) attached.</p> <p><input type="checkbox"/> "Fee Address" indication (or "Fee Address" Indication form PTO/SB/47; Rev 03-02 or more recent) attached. <b>Use of a Customer Number is required.</b></p>	<p>2. For printing on the patent front page, list</p> <p>(1) The names of up to 3 registered patent attorneys or agents OR, alternatively,</p> <p>(2) The name of a single firm (having as a member a registered attorney or agent) and the names of up to 2 registered patent attorneys or agents. If no name is listed, no name will be printed.</p> <p>1 <u>Dinsmore &amp; Shohl LLP</u></p> <p>2 _____</p> <p>3 _____</p>
---	---

3. ASSIGNEE NAME AND RESIDENCE DATA TO BE PRINTED ON THE PATENT (print or type)

PLEASE NOTE: Unless an assignee is identified below, no assignee data will appear on the patent. If an assignee is identified below, the document has been filed for recordation as set forth in 37 CFR 3.11. Completion of this form is NOT a substitute for filing an assignment.

(A) NAME OF ASSIGNEE Elsevier BV

(B) RESIDENCE: (CITY and STATE OR COUNTRY) Amsterdam, Netherlands

Please check the appropriate assignee category or categories (will not be printed on the patent) :  Individual  Corporation or other private group entity  Government

<p>4a. The following fee(s) are submitted:</p> <p><input checked="" type="checkbox"/> Issue Fee</p> <p><input type="checkbox"/> Publication Fee (No small entity discount permitted)</p> <p><input type="checkbox"/> Advance Order - # of Copies _____</p>	<p>4b. Payment of Fee(s): (Please first reapply any previously paid issue fee shown above)</p> <p><input type="checkbox"/> A check is enclosed.</p> <p><input checked="" type="checkbox"/> Payment by credit card. Submitted electronically</p> <p><input checked="" type="checkbox"/> The director is hereby authorized to charge any deficiency or credit any overpayment, to Deposit Account Number <u>041133</u> (enclose an extra copy of this form).</p>
--	--

5. Change in Entity Status (from status indicated above)

Applicant certifying micro entity status. See 37 CFR 1.29

Applicant asserting small entity status. See 37 CFR 1.27

Applicant changing to regular undiscounted fee status.

**NOTE:** Absent a valid certification of Micro Entity Status (see forms PTO/SB/15A and 15B), issue fee payment in the micro entity amount will not be accepted at the risk of application abandonment.

**NOTE:** If the application was previously under micro entity status, checking this box will be taken to be a notification of loss of entitlement to micro entity status.

**NOTE:** Checking this box will be taken to be a notification of loss of entitlement to small or micro entity status, as applicable.

NOTE: This form must be signed in accordance with 37 CFR 1.31 and 1.33. See 37 CFR 1.4 for signature requirements and certifications.

Authorized Signature /Anthony L. Pisano/ Date July 21, 2016

Typed or printed name Anthony L. Pisano Registration No. 65098

## Electronic Patent Application Fee Transmittal

<b>Application Number:</b>	13536700			
<b>Filing Date:</b>	28-Jun-2012			
<b>Title of Invention:</b>	Online Peer Review System and Method			
<b>First Named Inventor/Applicant Name:</b>	Robin Jason Lopulalan			
<b>Filer:</b>	Anthony Laurence Pisano			
<b>Attorney Docket Number:</b>	77434-40 / ELV0017PA			
Filed as Large Entity				
<b>Filing Fees for Utility under 35 USC 111(a)</b>				
<b>Description</b>	<b>Fee Code</b>	<b>Quantity</b>	<b>Amount</b>	<b>Sub-Total in USD(\$)</b>
<b>Basic Filing:</b>				
<b>Pages:</b>				
<b>Claims:</b>				
<b>Miscellaneous-Filing:</b>				
<b>Petition:</b>				
<b>Patent-Appeals-and-Interference:</b>				
<b>Post-Allowance-and-Post-Issuance:</b>				
Utility Appl Issue Fee	1501	1	960	960

Description	Fee Code	Quantity	Amount	Sub-Total in USD(\$)
<b>Extension-of-Time:</b>				
<b>Miscellaneous:</b>				
<b>Total in USD (\$)</b>				<b>960</b>

## Electronic Acknowledgement Receipt

<b>EFS ID:</b>	26411610
<b>Application Number:</b>	13536700
<b>International Application Number:</b>	
<b>Confirmation Number:</b>	4371
<b>Title of Invention:</b>	Online Peer Review System and Method
<b>First Named Inventor/Applicant Name:</b>	Robin Jason Lopulalan
<b>Customer Number:</b>	24256
<b>Filer:</b>	Anthony Laurence Pisano/Stephanie Berlepsch
<b>Filer Authorized By:</b>	Anthony Laurence Pisano
<b>Attorney Docket Number:</b>	77434-40 / ELV0017PA
<b>Receipt Date:</b>	21-JUL-2016
<b>Filing Date:</b>	28-JUN-2012
<b>Time Stamp:</b>	15:04:45
<b>Application Type:</b>	Utility under 35 USC 111(a)

### Payment information:

Submitted with Payment	yes
Payment Type	Credit Card
Payment was successfully received in RAM	\$960
RAM confirmation Number	1739
Deposit Account	041133
Authorized User	Pisano, Anthony

The Director of the USPTO is hereby authorized to charge indicated fees and credit any overpayment as follows:

Charge any Additional Fees required under 37 CFR 1.21 (Miscellaneous fees and charges)

**File Listing:**

Document Number	Document Description	File Name	File Size(Bytes)/ Message Digest	Multi Part /.zip	Pages (if appl.)
1	Issue Fee Payment (PTO-85B)	Fee_Transmittal.pdf	84361 a2edb4ee55b18f2f0e143bfa8566b40fa32d0eac	no	1

**Warnings:**

**Information:**

2	Fee Worksheet (SB06)	fee-info.pdf	30469 3e4152b9bc30a619109dca43fe7754cd8b48e7d0	no	2
---	----------------------	--------------	---	----	---

**Warnings:**

**Information:**

<b>Total Files Size (in bytes):</b>	114830
-------------------------------------	--------

**This Acknowledgement Receipt evidences receipt on the noted date by the USPTO of the indicated documents, characterized by the applicant, and including page counts, where applicable. It serves as evidence of receipt similar to a Post Card, as described in MPEP 503.**

**New Applications Under 35 U.S.C. 111**

**If a new application is being filed and the application includes the necessary components for a filing date (see 37 CFR 1.53(b)-(d) and MPEP 506), a Filing Receipt (37 CFR 1.54) will be issued in due course and the date shown on this Acknowledgement Receipt will establish the filing date of the application.**

**National Stage of an International Application under 35 U.S.C. 371**

**If a timely submission to enter the national stage of an international application is compliant with the conditions of 35 U.S.C. 371 and other applicable requirements a Form PCT/DO/EO/903 indicating acceptance of the application as a national stage submission under 35 U.S.C. 371 will be issued in addition to the Filing Receipt, in due course.**

**New International Application Filed with the USPTO as a Receiving Office**

**If a new international application is being filed and the international application includes the necessary components for an international filing date (see PCT Article 11 and MPEP 1810), a Notification of the International Application Number and of the International Filing Date (Form PCT/RO/105) will be issued in due course, subject to prescriptions concerning national security, and the date shown on this Acknowledgement Receipt will establish the international filing date of the application.**



UNITED STATES PATENT AND TRADEMARK OFFICE

UNITED STATES DEPARTMENT OF COMMERCE
United States Patent and Trademark Office
Address: COMMISSIONER FOR PATENTS
P.O. Box 1450
Alexandria, Virginia 22313-1450
www.uspto.gov

Table with 7 columns: APPLICATION NUMBER, FILING or 371(c) DATE, GRP ART UNIT, FIL FEE REC'D, ATTY. DOCKET NO, TOT CLAIMS, IND CLAIMS. Row 1: 13/536,700, 06/28/2012, 2168, 1380, 77434-40 / ELV0017PA, 20, 2

CONFIRMATION NO. 4371
CORRECTED FILING RECEIPT

24256
DINSMORE & SHOHL LLP
255 East Fifth Street, Suite 1900
CINCINNATI, OH 45202



Date Mailed: 04/28/2016

Receipt is acknowledged of this non-provisional patent application. The application will be taken up for examination in due course. Applicant will be notified as to the results of the examination. Any correspondence concerning the application must include the following identification information: the U.S. APPLICATION NUMBER, FILING DATE, NAME OF APPLICANT, and TITLE OF INVENTION. Fees transmitted by check or draft are subject to collection. Please verify the accuracy of the data presented on this receipt. If an error is noted on this Filing Receipt, please submit a written request for a Filing Receipt Correction. Please provide a copy of this Filing Receipt with the changes noted thereon. If you received a "Notice to File Missing Parts" for this application, please submit any corrections to this Filing Receipt with your reply to the Notice. When the USPTO processes the reply to the Notice, the USPTO will generate another Filing Receipt incorporating the requested corrections

Inventor(s)

Robin Jason Lopulalan, Rotterdam, NETHERLANDS;

Applicant(s)

Robin Jason Lopulalan, Rotterdam, NETHERLANDS;

Power of Attorney: The patent practitioners associated with Customer Number 24256

Domestic Applications for which benefit is claimed - None.

A proper domestic benefit claim must be provided in an Application Data Sheet in order to constitute a claim for domestic benefit. See 37 CFR 1.76 and 1.78.

Foreign Applications for which priority is claimed (You may be eligible to benefit from the Patent Prosecution Highway program at the USPTO. Please see http://www.uspto.gov for more information.) - None.

Foreign application information must be provided in an Application Data Sheet in order to constitute a claim to foreign priority. See 37 CFR 1.55 and 1.76.

Permission to Access Application via Priority Document Exchange: No

Permission to Access Search Results: No

Applicant may provide or rescind an authorization for access using Form PTO/SB/39 or Form PTO/SB/69 as appropriate.

If Required, Foreign Filing License Granted: 07/16/2012

The country code and number of your priority application, to be used for filing abroad under the Paris Convention, is US 13/536,700

**Projected Publication Date:** Not Applicable

**Non-Publication Request:** No

**Early Publication Request:** No

**Title**

Online Peer Review System and Method

**Preliminary Class**

707

**Statement under 37 CFR 1.55 or 1.78 for AIA (First Inventor to File) Transition Applications:**

## **PROTECTING YOUR INVENTION OUTSIDE THE UNITED STATES**

Since the rights granted by a U.S. patent extend only throughout the territory of the United States and have no effect in a foreign country, an inventor who wishes patent protection in another country must apply for a patent in a specific country or in regional patent offices. Applicants may wish to consider the filing of an international application under the Patent Cooperation Treaty (PCT). An international (PCT) application generally has the same effect as a regular national patent application in each PCT-member country. The PCT process **simplifies** the filing of patent applications on the same invention in member countries, but **does not result** in a grant of "an international patent" and does not eliminate the need of applicants to file additional documents and fees in countries where patent protection is desired.

Almost every country has its own patent law, and a person desiring a patent in a particular country must make an application for patent in that country in accordance with its particular laws. Since the laws of many countries differ in various respects from the patent law of the United States, applicants are advised to seek guidance from specific foreign countries to ensure that patent rights are not lost prematurely.

Applicants also are advised that in the case of inventions made in the United States, the Director of the USPTO must issue a license before applicants can apply for a patent in a foreign country. The filing of a U.S. patent application serves as a request for a foreign filing license. The application's filing receipt contains further information and guidance as to the status of applicant's license for foreign filing.

Applicants may wish to consult the USPTO booklet, "General Information Concerning Patents" (specifically, the section entitled "Treaties and Foreign Patents") for more information on timeframes and deadlines for filing foreign patent applications. The guide is available either by contacting the USPTO Contact Center at 800-786-9199, or it can be viewed on the USPTO website at <http://www.uspto.gov/web/offices/pac/doc/general/index.html>.

For information on preventing theft of your intellectual property (patents, trademarks and copyrights), you may wish to consult the U.S. Government website, <http://www.stopfakes.gov>. Part of a Department of Commerce initiative, this website includes self-help "toolkits" giving innovators guidance on how to protect intellectual property in specific countries such as China, Korea and Mexico. For questions regarding patent enforcement issues, applicants may call the U.S. Government hotline at 1-866-999-HALT (1-866-999-4258).



**LICENSE FOR FOREIGN FILING UNDER**  
**Title 35, United States Code, Section 184**  
**Title 37, Code of Federal Regulations, 5.11 & 5.15**

**GRANTED**

The applicant has been granted a license under 35 U.S.C. 184, if the phrase "IF REQUIRED, FOREIGN FILING LICENSE GRANTED" followed by a date appears on this form. Such licenses are issued in all applications where the conditions for issuance of a license have been met, regardless of whether or not a license may be required as set forth in 37 CFR 5.15. The scope and limitations of this license are set forth in 37 CFR 5.15(a) unless an earlier license has been issued under 37 CFR 5.15(b). The license is subject to revocation upon written notification. The date indicated is the effective date of the license, unless an earlier license of similar scope has been granted under 37 CFR 5.13 or 5.14.

This license is to be retained by the licensee and may be used at any time on or after the effective date thereof unless it is revoked. This license is automatically transferred to any related applications(s) filed under 37 CFR 1.53(d). This license is not retroactive.

The grant of a license does not in any way lessen the responsibility of a licensee for the security of the subject matter as imposed by any Government contract or the provisions of existing laws relating to espionage and the national security or the export of technical data. Licensees should apprise themselves of current regulations especially with respect to certain countries, of other agencies, particularly the Office of Defense Trade Controls, Department of State (with respect to Arms, Munitions and Implements of War (22 CFR 121-128)); the Bureau of Industry and Security, Department of Commerce (15 CFR parts 730-774); the Office of Foreign Assets Control, Department of Treasury (31 CFR Parts 500+) and the Department of Energy.

**NOT GRANTED**

No license under 35 U.S.C. 184 has been granted at this time, if the phrase "IF REQUIRED, FOREIGN FILING LICENSE GRANTED" DOES NOT appear on this form. Applicant may still petition for a license under 37 CFR 5.12, if a license is desired before the expiration of 6 months from the filing date of the application. If 6 months has lapsed from the filing date of this application and the licensee has not received any indication of a secrecy order under 35 U.S.C. 181, the licensee may foreign file the application pursuant to 37 CFR 5.15(b).

---

***SelectUSA***

The United States represents the largest, most dynamic marketplace in the world and is an unparalleled location for business investment, innovation, and commercialization of new technologies. The U.S. offers tremendous resources and advantages for those who invest and manufacture goods here. Through SelectUSA, our nation works to promote and facilitate business investment. SelectUSA provides information assistance to the international investor community; serves as an ombudsman for existing and potential investors; advocates on behalf of U.S. cities, states, and regions competing for global investment; and counsels U.S. economic development organizations on investment attraction best practices. To learn more about why the United States is the best country in the world to develop technology, manufacture products, deliver services, and grow your business, visit <http://www.SelectUSA.gov> or call +1-202-482-6800.



NOTICE OF ALLOWANCE AND FEE(S) DUE

24256 7590 04/21/2016
DINSMORE & SHOHL LLP
255 East Fifth Street, Suite 1900
CINCINNATI, OH 45202

Table with 2 columns: EXAMINER (FAN, SHIOW-JY), ART UNIT (2168), PAPER NUMBER

DATE MAILED: 04/21/2016

Table with 5 columns: APPLICATION NO. (13/536,700), FILING DATE (06/28/2012), FIRST NAMED INVENTOR (Robin Jason Lopulalan), ATTORNEY DOCKET NO. (77434-40 / ELV0017PA), CONFIRMATION NO. (4371)

TITLE OF INVENTION: Online Peer Review System and Method

Table with 7 columns: APPLN. TYPE (nonprovisional), ENTITY STATUS (UNDISCOUNTED), ISSUE FEE DUE (\$960), PUBLICATION FEE DUE (\$0), PREV. PAID ISSUE FEE (\$0), TOTAL FEE(S) DUE (\$960), DATE DUE (07/21/2016)

THE APPLICATION IDENTIFIED ABOVE HAS BEEN EXAMINED AND IS ALLOWED FOR ISSUANCE AS A PATENT. PROSECUTION ON THE MERITS IS CLOSED. THIS NOTICE OF ALLOWANCE IS NOT A GRANT OF PATENT RIGHTS. THIS APPLICATION IS SUBJECT TO WITHDRAWAL FROM ISSUE AT THE INITIATIVE OF THE OFFICE OR UPON PETITION BY THE APPLICANT. SEE 37 CFR 1.313 AND MPEP 1308.

THE ISSUE FEE AND PUBLICATION FEE (IF REQUIRED) MUST BE PAID WITHIN THREE MONTHS FROM THE MAILING DATE OF THIS NOTICE OR THIS APPLICATION SHALL BE REGARDED AS ABANDONED. THIS STATUTORY PERIOD CANNOT BE EXTENDED. SEE 35 U.S.C. 151. THE ISSUE FEE DUE INDICATED ABOVE DOES NOT REFLECT A CREDIT FOR ANY PREVIOUSLY PAID ISSUE FEE IN THIS APPLICATION. IF AN ISSUE FEE HAS PREVIOUSLY BEEN PAID IN THIS APPLICATION (AS SHOWN ABOVE), THE RETURN OF PART B OF THIS FORM WILL BE CONSIDERED A REQUEST TO REAPPLY THE PREVIOUSLY PAID ISSUE FEE TOWARD THE ISSUE FEE NOW DUE.

HOW TO REPLY TO THIS NOTICE:

I. Review the ENTITY STATUS shown above. If the ENTITY STATUS is shown as SMALL or MICRO, verify whether entitlement to that entity status still applies.

If the ENTITY STATUS is the same as shown above, pay the TOTAL FEE(S) DUE shown above.

If the ENTITY STATUS is changed from that shown above, on PART B - FEE(S) TRANSMITTAL, complete section number 5 titled "Change in Entity Status (from status indicated above)".

For purposes of this notice, small entity fees are 1/2 the amount of undiscounted fees, and micro entity fees are 1/2 the amount of small entity fees.

II. PART B - FEE(S) TRANSMITTAL, or its equivalent, must be completed and returned to the United States Patent and Trademark Office (USPTO) with your ISSUE FEE and PUBLICATION FEE (if required). If you are charging the fee(s) to your deposit account, section "4b" of Part B - Fee(s) Transmittal should be completed and an extra copy of the form should be submitted. If an equivalent of Part B is filed, a request to reapply a previously paid issue fee must be clearly made, and delays in processing may occur due to the difficulty in recognizing the paper as an equivalent of Part B.

III. All communications regarding this application must give the application number. Please direct all communications prior to issuance to Mail Stop ISSUE FEE unless advised to the contrary.

IMPORTANT REMINDER: Utility patents issuing on applications filed on or after Dec. 12, 1980 may require payment of maintenance fees. It is patentee's responsibility to ensure timely payment of maintenance fees when due.

**PART B - FEE(S) TRANSMITTAL**

**Complete and send this form, together with applicable fee(s), to: Mail Mail Stop ISSUE FEE  
 Commissioner for Patents  
 P.O. Box 1450  
 Alexandria, Virginia 22313-1450  
 or Fax (571)-273-2885**

**INSTRUCTIONS:** This form should be used for transmitting the ISSUE FEE and PUBLICATION FEE (if required). Blocks 1 through 5 should be completed where appropriate. All further correspondence including the Patent, advance orders and notification of maintenance fees will be mailed to the current correspondence address as indicated unless corrected below or directed otherwise in Block 1, by (a) specifying a new correspondence address; and/or (b) indicating a separate "FEE ADDRESS" for maintenance fee notifications.

CURRENT CORRESPONDENCE ADDRESS (Note: Use Block 1 for any change of address)

Note: A certificate of mailing can only be used for domestic mailings of the Fee(s) Transmittal. This certificate cannot be used for any other accompanying papers. Each additional paper, such as an assignment or formal drawing, must have its own certificate of mailing or transmission.

24256 7590 04/21/2016  
**DINSMORE & SHOHL LLP**  
 255 East Fifth Street, Suite 1900  
 CINCINNATI, OH 45202

**Certificate of Mailing or Transmission**

I hereby certify that this Fee(s) Transmittal is being deposited with the United States Postal Service with sufficient postage for first class mail in an envelope addressed to the Mail Stop ISSUE FEE address above, or being facsimile transmitted to the USPTO (571) 273-2885, on the date indicated below.

(Depositor's name)
(Signature)
(Date)

APPLICATION NO.	FILING DATE	FIRST NAMED INVENTOR	ATTORNEY DOCKET NO.	CONFIRMATION NO.
13/536,700	06/28/2012	Robin Jason Lopulalan	77434-40 / ELV0017PA	4371

TITLE OF INVENTION: Online Peer Review System and Method

APPLN. TYPE	ENTITY STATUS	ISSUE FEE DUE	PUBLICATION FEE DUE	PREV. PAID ISSUE FEE	TOTAL FEE(S) DUE	DATE DUE
nonprovisional	UNDISCOUNTED	\$960	\$0	\$0	\$960	07/21/2016

EXAMINER	ART UNIT	CLASS-SUBCLASS
FAN, SHIOW-JY	2168	707-608000

<p>1. Change of correspondence address or indication of "Fee Address" (37 CFR 1.363).</p> <p><input type="checkbox"/> Change of correspondence address (or Change of Correspondence Address form PTO/SB/122) attached.</p> <p><input type="checkbox"/> "Fee Address" indication (or "Fee Address" Indication form PTO/SB/47; Rev 03-02 or more recent) attached. <b>Use of a Customer Number is required.</b></p>	<p>2. For printing on the patent front page, list</p> <p>(1) The names of up to 3 registered patent attorneys or agents OR, alternatively, 1 _____</p> <p>(2) The name of a single firm (having as a member a registered attorney or agent) and the names of up to 2 registered patent attorneys or agents. If no name is listed, no name will be printed. 2 _____</p> <p>3 _____</p>
---	---

**3. ASSIGNEE NAME AND RESIDENCE DATA TO BE PRINTED ON THE PATENT (print or type)**

PLEASE NOTE: Unless an assignee is identified below, no assignee data will appear on the patent. If an assignee is identified below, the document has been filed for recordation as set forth in 37 CFR 3.11. Completion of this form is NOT a substitute for filing an assignment.

(A) NAME OF ASSIGNEE \_\_\_\_\_ (B) RESIDENCE: (CITY and STATE OR COUNTRY) \_\_\_\_\_

Please check the appropriate assignee category or categories (will not be printed on the patent) :  Individual  Corporation or other private group entity  Government

**4a. The following fee(s) are submitted:**

- Issue Fee
- Publication Fee (No small entity discount permitted)
- Advance Order - # of Copies \_\_\_\_\_

**4b. Payment of Fee(s): (Please first reapply any previously paid issue fee shown above)**

- A check is enclosed.
- Payment by credit card. Form PTO-2038 is attached.
- The director is hereby authorized to charge the required fee(s), any deficiency, or credits any overpayment, to Deposit Account Number \_\_\_\_\_ (enclose an extra copy of this form).

**5. Change in Entity Status (from status indicated above)**

- Applicant certifying micro entity status. See 37 CFR 1.29
- Applicant asserting small entity status. See 37 CFR 1.27
- Applicant changing to regular undiscounted fee status.

**NOTE:** Absent a valid certification of Micro Entity Status (see forms PTO/SB/15A and 15B), issue fee payment in the micro entity amount will not be accepted at the risk of application abandonment.

**NOTE:** If the application was previously under micro entity status, checking this box will be taken to be a notification of loss of entitlement to micro entity status.

**NOTE:** Checking this box will be taken to be a notification of loss of entitlement to small or micro entity status, as applicable.

**NOTE:** This form must be signed in accordance with 37 CFR 1.31 and 1.33. See 37 CFR 1.4 for signature requirements and certifications.

Authorized Signature \_\_\_\_\_ Date \_\_\_\_\_

Typed or printed name \_\_\_\_\_ Registration No. \_\_\_\_\_



UNITED STATES PATENT AND TRADEMARK OFFICE

UNITED STATES DEPARTMENT OF COMMERCE
United States Patent and Trademark Office
Address: COMMISSIONER FOR PATENTS
P.O. Box 1450
Alexandria, Virginia 22313-1450
www.uspto.gov

Table with 5 columns: APPLICATION NO., FILING DATE, FIRST NAMED INVENTOR, ATTORNEY DOCKET NO., CONFIRMATION NO.
13/536,700 06/28/2012 Robin Jason Lopulalan 77434-40 / ELV0017PA 4371

24256 7590 04/21/2016
DINSMORE & SHOHL LLP
255 East Fifth Street, Suite 1900
CINCINNATI, OH 45202

EXAMINER

FAN, SHIOW-JY

ART UNIT PAPER NUMBER

2168

DATE MAILED: 04/21/2016

Determination of Patent Term Adjustment under 35 U.S.C. 154 (b)

(Applications filed on or after May 29, 2000)

The Office has discontinued providing a Patent Term Adjustment (PTA) calculation with the Notice of Allowance.

Section 1(h)(2) of the AIA Technical Corrections Act amended 35 U.S.C. 154(b)(3)(B)(i) to eliminate the requirement that the Office provide a patent term adjustment determination with the notice of allowance. See Revisions to Patent Term Adjustment, 78 Fed. Reg. 19416, 19417 (Apr. 1, 2013). Therefore, the Office is no longer providing an initial patent term adjustment determination with the notice of allowance. The Office will continue to provide a patent term adjustment determination with the Issue Notification Letter that is mailed to applicant approximately three weeks prior to the issue date of the patent, and will include the patent term adjustment on the patent. Any request for reconsideration of the patent term adjustment determination (or reinstatement of patent term adjustment) should follow the process outlined in 37 CFR 1.705.

Any questions regarding the Patent Term Extension or Adjustment determination should be directed to the Office of Patent Legal Administration at (571)-272-7702. Questions relating to issue and publication fee payments should be directed to the Customer Service Center of the Office of Patent Publication at 1-(888)-786-0101 or (571)-272-4200.

## OMB Clearance and PRA Burden Statement for PTOL-85 Part B

The Paperwork Reduction Act (PRA) of 1995 requires Federal agencies to obtain Office of Management and Budget approval before requesting most types of information from the public. When OMB approves an agency request to collect information from the public, OMB (i) provides a valid OMB Control Number and expiration date for the agency to display on the instrument that will be used to collect the information and (ii) requires the agency to inform the public about the OMB Control Number's legal significance in accordance with 5 CFR 1320.5(b).

The information collected by PTOL-85 Part B is required by 37 CFR 1.311. The information is required to obtain or retain a benefit by the public which is to file (and by the USPTO to process) an application. Confidentiality is governed by 35 U.S.C. 122 and 37 CFR 1.14. This collection is estimated to take 12 minutes to complete, including gathering, preparing, and submitting the completed application form to the USPTO. Time will vary depending upon the individual case. Any comments on the amount of time you require to complete this form and/or suggestions for reducing this burden, should be sent to the Chief Information Officer, U.S. Patent and Trademark Office, U.S. Department of Commerce, P.O. Box 1450, Alexandria, Virginia 22313-1450. DO NOT SEND FEES OR COMPLETED FORMS TO THIS ADDRESS. SEND TO: Commissioner for Patents, P.O. Box 1450, Alexandria, Virginia 22313-1450. Under the Paperwork Reduction Act of 1995, no persons are required to respond to a collection of information unless it displays a valid OMB control number.

### Privacy Act Statement

**The Privacy Act of 1974 (P.L. 93-579)** requires that you be given certain information in connection with your submission of the attached form related to a patent application or patent. Accordingly, pursuant to the requirements of the Act, please be advised that: (1) the general authority for the collection of this information is 35 U.S.C. 2(b)(2); (2) furnishing of the information solicited is voluntary; and (3) the principal purpose for which the information is used by the U.S. Patent and Trademark Office is to process and/or examine your submission related to a patent application or patent. If you do not furnish the requested information, the U.S. Patent and Trademark Office may not be able to process and/or examine your submission, which may result in termination of proceedings or abandonment of the application or expiration of the patent.

The information provided by you in this form will be subject to the following routine uses:

1. The information on this form will be treated confidentially to the extent allowed under the Freedom of Information Act (5 U.S.C. 552) and the Privacy Act (5 U.S.C. 552a). Records from this system of records may be disclosed to the Department of Justice to determine whether disclosure of these records is required by the Freedom of Information Act.
2. A record from this system of records may be disclosed, as a routine use, in the course of presenting evidence to a court, magistrate, or administrative tribunal, including disclosures to opposing counsel in the course of settlement negotiations.
3. A record in this system of records may be disclosed, as a routine use, to a Member of Congress submitting a request involving an individual, to whom the record pertains, when the individual has requested assistance from the Member with respect to the subject matter of the record.
4. A record in this system of records may be disclosed, as a routine use, to a contractor of the Agency having need for the information in order to perform a contract. Recipients of information shall be required to comply with the requirements of the Privacy Act of 1974, as amended, pursuant to 5 U.S.C. 552a(m).
5. A record related to an International Application filed under the Patent Cooperation Treaty in this system of records may be disclosed, as a routine use, to the International Bureau of the World Intellectual Property Organization, pursuant to the Patent Cooperation Treaty.
6. A record in this system of records may be disclosed, as a routine use, to another federal agency for purposes of National Security review (35 U.S.C. 181) and for review pursuant to the Atomic Energy Act (42 U.S.C. 218(c)).
7. A record from this system of records may be disclosed, as a routine use, to the Administrator, General Services, or his/her designee, during an inspection of records conducted by GSA as part of that agency's responsibility to recommend improvements in records management practices and programs, under authority of 44 U.S.C. 2904 and 2906. Such disclosure shall be made in accordance with the GSA regulations governing inspection of records for this purpose, and any other relevant (i.e., GSA or Commerce) directive. Such disclosure shall not be used to make determinations about individuals.
8. A record from this system of records may be disclosed, as a routine use, to the public after either publication of the application pursuant to 35 U.S.C. 122(b) or issuance of a patent pursuant to 35 U.S.C. 151. Further, a record may be disclosed, subject to the limitations of 37 CFR 1.14, as a routine use, to the public if the record was filed in an application which became abandoned or in which the proceedings were terminated and which application is referenced by either a published application, an application open to public inspection or an issued patent.
9. A record from this system of records may be disclosed, as a routine use, to a Federal, State, or local law enforcement agency, if the USPTO becomes aware of a violation or potential violation of law or regulation.

<b>Examiner-Initiated Interview Summary</b>	<b>Application No.</b> 13/536,700	<b>Applicant(s)</b> LOPULALAN, ROBIN JASON	
	<b>Examiner</b> SHIOW-JY FAN	<b>Art Unit</b> 2168	

All participants (applicant, applicant's representative, PTO personnel):

- (1) SHIOW-JY FAN. (3)\_\_\_\_\_.
- (2) ANTHONY L. PISANO (Reg. No. 65,098). (4)\_\_\_\_\_.

Date of Interview: 12 April 2016.

Type:  Telephonic  Video Conference  
 Personal [copy given to:  applicant  applicant's representative]

Exhibit shown or demonstration conducted:  Yes  No.  
If Yes, brief description: \_\_\_\_\_.

Issues Discussed 101 112 102 103 Others  
(For each of the checked box(es) above, please describe below the issue and detailed description of the discussion)

Claim(s) discussed: n/a.

Identification of prior art discussed: n/a.

**Substance of Interview**

(For each issue discussed, provide a detailed description and indicate if agreement was reached. Some topics may include: identification or clarification of a reference or a portion thereof, claim interpretation, proposed amendments, arguments of any applied references etc...)

The examiner called the applicant's representative to propose amendment for advancing prosecution. The agreement was reached.

**Applicant recordation instructions:** It is not necessary for applicant to provide a separate record of the substance of interview.

**Examiner recordation instructions:** Examiners must summarize the substance of any interview of record. A complete and proper recordation of the substance of an interview should include the items listed in MPEP 713.04 for complete and proper recordation including the identification of the general thrust of each argument or issue discussed, a general indication of any other pertinent matters discussed regarding patentability and the general results or outcome of the interview, to include an indication as to whether or not agreement was reached on the issues raised.

Attachment

/SHIOW-JY FAN/  
Primary Examiner, Art Unit 2168

**Notice of Allowability**

**Application No.**

13/536,700

**Applicant(s)**

LOPULALAN, ROBIN JASON

**Examiner**

SHIOW-JY FAN

**Art Unit**

2168

**AIA (First Inventor to File) Status**

No

**-- The MAILING DATE of this communication appears on the cover sheet with the correspondence address--**

All claims being allowable, PROSECUTION ON THE MERITS IS (OR REMAINS) CLOSED in this application. If not included herewith (or previously mailed), a Notice of Allowance (PTOL-85) or other appropriate communication will be mailed in due course. **THIS NOTICE OF ALLOWABILITY IS NOT A GRANT OF PATENT RIGHTS.** This application is subject to withdrawal from issue at the initiative of the Office or upon petition by the applicant. See 37 CFR 1.313 and MPEP 1308.

1.  This communication is responsive to 1/19/2016.  
 A declaration(s)/affidavit(s) under **37 CFR 1.130(b)** was/were filed on \_\_\_\_\_.
2.  An election was made by the applicant in response to a restriction requirement set forth during the interview on \_\_\_\_\_; the restriction requirement and election have been incorporated into this action.
3.  The allowed claim(s) is/are 1, 5-6, 9-13 and 33-40. As a result of the allowed claim(s), you may be eligible to benefit from the **Patent Prosecution Highway** program at a participating intellectual property office for the corresponding application. For more information, please see [http://www.uspto.gov/patents/init\\_events/pph/index.jsp](http://www.uspto.gov/patents/init_events/pph/index.jsp) or send an inquiry to [PPHfeedback@uspto.gov](mailto:PPHfeedback@uspto.gov).
4.  Acknowledgment is made of a claim for foreign priority under 35 U.S.C. § 119(a)-(d) or (f).

**Certified copies:**

- a)  All    b)  Some    \*c)  None of the:
1.  Certified copies of the priority documents have been received.
  2.  Certified copies of the priority documents have been received in Application No. \_\_\_\_\_.
  3.  Copies of the certified copies of the priority documents have been received in this national stage application from the International Bureau (PCT Rule 17.2(a)).

\* Certified copies not received: \_\_\_\_\_.

Applicant has THREE MONTHS FROM THE "MAILING DATE" of this communication to file a reply complying with the requirements noted below. Failure to timely comply will result in ABANDONMENT of this application.

**THIS THREE-MONTH PERIOD IS NOT EXTENDABLE.**

5.  CORRECTED DRAWINGS ( as "replacement sheets") must be submitted.  
 including changes required by the attached Examiner's Amendment / Comment or in the Office action of Paper No./Mail Date \_\_\_\_\_.  
**Identifying indicia such as the application number (see 37 CFR 1.84(c)) should be written on the drawings in the front (not the back) of each sheet. Replacement sheet(s) should be labeled as such in the header according to 37 CFR 1.121(d).**
6.  DEPOSIT OF and/or INFORMATION about the deposit of BIOLOGICAL MATERIAL must be submitted. Note the attached Examiner's comment regarding REQUIREMENT FOR THE DEPOSIT OF BIOLOGICAL MATERIAL.

**Attachment(s)**

1.  Notice of References Cited (PTO-892)
2.  Information Disclosure Statements (PTO/SB/08), Paper No./Mail Date \_\_\_\_\_
3.  Examiner's Comment Regarding Requirement for Deposit of Biological Material
4.  Interview Summary (PTO-413), Paper No./Mail Date 4/12/2016.
5.  Examiner's Amendment/Comment
6.  Examiner's Statement of Reasons for Allowance
7.  Other See Continuation Sheet.

/SHIOW-JY FAN/  
Primary Examiner, Art Unit 2168

Continuation of Attachment(s) 7. Other: Interview\_Email and Proposed Examiner Amendment.



Art Unit: 2168

The present application is being examined under the pre-AIA first to invent provisions.

**DETAILED ACTION**

***Response to Amendment***

- a. This action is responsive to remarks and amendment filed on 1/19/2016.
- b. Claims 1, 5-6, 9-13 and 33-40 are allowed.

**EXAMINER'S AMENDMENT**

An examiner's amendment to the record appears below. Should the changes and/or additions be unacceptable to applicant, an amendment may be filed as provided by 37 CFR 1.312. To ensure consideration of such an amendment, it **MUST** be submitted no later than the payment of the issue fee.

Authorization for this examiner's amendment was given in email with Anthony L. Pisano (Reg. No. 65,098) on 4/12/2016.

The application has been amended as follows:

This amendment will replace all prior versions and listings of claims in the application. The amendment is based on claims filed 1/19/2016. Please see the attached **Proposed Examiner Amendment** pdf file.

Art Unit: 2168

### **Contact Information**

Any inquiry concerning this communication or earlier communications from the examiner should be directed to SHIOW-JY FAN whose telephone number is (571) 270-7846. The examiner can normally be reached on Monday thru Thursday, 7:30am till 5:00pm, alternate Fridays off, EST..

If attempts to reach the examiner by telephone are unsuccessful, the examiner's supervisor, Fred Ehichioya can be reached on (571) 272-4034. The fax phone number for the organization where this application or proceeding is assigned is 571-273-8300.

Information regarding the status of an application may be obtained from the Patent Application Information Retrieval (PAIR) system. Status information for published applications may be obtained from either Private PAIR or Public PAIR. Status information for unpublished applications is available through Private PAIR only. For more information about the PAIR system, see <http://pair-direct.uspto.gov>. Should you have questions on access to the Private PAIR system, contact the Electronic Business Center (EBC) at 866-217-9197 (toll-free). If you would like assistance from a USPTO Customer Service Representative or access to the automated information system, call 800-786-9199 (IN USA OR CANADA) or 571-272-1000.

/SHIOW-JY FAN/  
Examiner, Art Unit 2168  
4/12/2016

<b>Examiner-Initiated Interview Summary</b>	<b>Application No.</b> 13/536,700	<b>Applicant(s)</b> LOPULALAN, ROBIN JASON	
	<b>Examiner</b> SHIOW-JY FAN	<b>Art Unit</b> 2168	

All participants (applicant, applicant's representative, PTO personnel):

- (1) SHIOW-JY FAN. (3)\_\_\_\_\_.
- (2) ANTHONY L. PISANO (Reg. No. 65,098). (4)\_\_\_\_\_.

Date of Interview: 12 April 2016.

Type:  Telephonic  Video Conference  
 Personal [copy given to:  applicant  applicant's representative]

Exhibit shown or demonstration conducted:  Yes  No.  
If Yes, brief description: \_\_\_\_\_.

Issues Discussed 101 112 102 103 Others  
(For each of the checked box(es) above, please describe below the issue and detailed description of the discussion)

Claim(s) discussed: n/a.

Identification of prior art discussed: n/a.

**Substance of Interview**

(For each issue discussed, provide a detailed description and indicate if agreement was reached. Some topics may include: identification or clarification of a reference or a portion thereof, claim interpretation, proposed amendments, arguments of any applied references etc...)

The examiner called the applicant's representative to propose amendment for advancing prosecution. The agreement was reached.

**Applicant recordation instructions:** It is not necessary for applicant to provide a separate record of the substance of interview.

**Examiner recordation instructions:** Examiners must summarize the substance of any interview of record. A complete and proper recordation of the substance of an interview should include the items listed in MPEP 713.04 for complete and proper recordation including the identification of the general thrust of each argument or issue discussed, a general indication of any other pertinent matters discussed regarding patentability and the general results or outcome of the interview, to include an indication as to whether or not agreement was reached on the issues raised.

Attachment

/SHIOW-JY FAN/  
Primary Examiner, Art Unit 2168

## EAST Search History

## EAST Search History (Prior Art)

Ref #	Hits	Search Query	DBs	Default Operator	Plurals	Time Stamp
L1	43753	(G06F17/30867 OR G06F17/30699 OR G06F17/3089 OR G06F17/30705).CPC.	US-PGPUB; USPAT; USOCR; FPRS; EPO; JPO; DERWENT; IBM_TDB	OR	ON	2016/04/12 13:09
L3	3	("20150082156").PN.	US-PGPUB; USPAT; FPRS; EPO; JPO; DERWENT; IBM_TDB	OR	OFF	2016/04/12 13:13
L4	3	("20140006424").PN.	US-PGPUB; USPAT; FPRS; EPO; JPO; DERWENT; IBM_TDB	OR	OFF	2016/04/12 13:17
L5	3	("20140087353").PN.	US-PGPUB; USPAT; FPRS; EPO; JPO; DERWENT; IBM_TDB	OR	OFF	2016/04/12 13:20
L6	3	("20140087354").PN.	US-PGPUB; USPAT; FPRS; EPO; JPO; DERWENT; IBM_TDB	OR	OFF	2016/04/12 13:26
L7	2	("20130332242").PN.	US-PGPUB; USPAT; FPRS; EPO; JPO; DERWENT; IBM_TDB	OR	OFF	2016/04/12 13:27
L8	2	("20150269138").PN.	US-PGPUB; USPAT; FPRS; EPO; JPO; DERWENT; IBM_TDB	OR	OFF	2016/04/12 13:29
L9	2	("20100235403").PN.	US-PGPUB; USPAT; FPRS; EPO; JPO; DERWENT; IBM_TDB	OR	OFF	2016/04/12 13:30
L10	6	("8620872").PN.	US-PGPUB;	OR	OFF	2016/04/12

			USPAT; FPRS; EPO; JPO; DERWENT; IBM_TDB			13:31
L11	14	("8201085").PN.	US-PGPUB; USPAT; FPRS; EPO; JPO; DERWENT; IBM_TDB	OR	OFF	2016/04/12 13:32
L12	2224	(journal with recommend\$7)	US-PGPUB; USPAT; FPRS; EPO; JPO; DERWENT; IBM_TDB	OR	ON	2016/04/12 13:35
L13	7	(journal with recommend\$7) same (fingerprint similarity)	US-PGPUB; USPAT; FPRS; EPO; JPO; DERWENT; IBM_TDB	OR	ON	2016/04/12 13:35
L14	7	(journal with recommend\$7) same (fingerprint similarity (match near3 rate))	US-PGPUB; USPAT; FPRS; EPO; JPO; DERWENT; IBM_TDB	OR	ON	2016/04/12 14:45
L15	0	14 not 13	US-PGPUB; USPAT; FPRS; EPO; JPO; DERWENT; IBM_TDB	OR	ON	2016/04/12 14:46
L16	1	(journal with recommend\$7) same ((match with rate))	US-PGPUB; USPAT; FPRS; EPO; JPO; DERWENT; IBM_TDB	OR	ON	2016/04/12 14:46
L17	1	(journal with recommend\$7) same (waterfall\$5)	US-PGPUB; USPAT; FPRS; EPO; JPO; DERWENT; IBM_TDB	OR	ON	2016/04/12 14:46
S1	1	((Robin) near2 (Lopulalan)).INV.	US-PGPUB; USPAT	OR	ON	2014/11/16 12:15
S2	1	("20140006341").PN.	US-PGPUB; USPAT	OR	OFF	2014/11/16 12:17
S3	37045	(document same review\$3)	US-PGPUB; USPAT; USOCR; FPRS; EPO; JPO; DERWENT; IBM_TDB	OR	ON	2014/11/16 12:19
S4	26974	(document same review\$3) and (network)	US-PGPUB; USPAT;	OR	ON	2014/11/16 12:19

			USOCR; FPRS; EPO; JPO; DERWENT; IBM_TDB			
S5	1111	(document same review\$3) and (network) and (journal same (db database))	US-PGPUB; USPAT; USOCR; FPRS; EPO; JPO; DERWENT; IBM_TDB	OR	ON	2014/11/16 12:19
S6	463	(document same review\$3) and (network) and (journal same (db database)) and (user near3 profile)	US-PGPUB; USPAT; USOCR; FPRS; EPO; JPO; DERWENT; IBM_TDB	OR	ON	2014/11/16 12:20
S7	279	(document same review\$3) and (network) and (journal same (db database)) and (user near3 profile) and (training same user)	US-PGPUB; USPAT; USOCR; FPRS; EPO; JPO; DERWENT; IBM_TDB	OR	ON	2014/11/16 12:20
S8	25	(document same review\$3) and (network) and (journal same (db database)) and (user near3 profile) and (training same user) and (common with format) and ((hypertext extensible) with markup with language)	US-PGPUB; USPAT; USOCR; FPRS; EPO; JPO; DERWENT; IBM_TDB	OR	ON	2014/11/16 12:22
S9	85	(document same review\$3) and (network) and (journal same (db database)) and (user near3 profile) and (training same user) and ((hypertext extensible) with markup with language)	US-PGPUB; USPAT; USOCR; FPRS; EPO; JPO; DERWENT; IBM_TDB	OR	ON	2014/11/16 12:44
S10	60	S9 not S8	US-PGPUB; USPAT; USOCR; FPRS; EPO; JPO; DERWENT; IBM_TDB	OR	ON	2014/11/16 12:44
S11	6	(document same review\$3 same peer) and (journal same (db database)) and (user near3 profile) and (training same user) and ((hypertext extensible) with markup with language)	US-PGPUB; USPAT; USOCR; FPRS; EPO; JPO; DERWENT; IBM_TDB	OR	ON	2014/11/16 13:14
S12	0	S11 not S9	US-PGPUB; USPAT; USOCR; FPRS; EPO; JPO; DERWENT; IBM_TDB	OR	ON	2014/11/16 13:14

S13	90	(document same review\$) and (journal same (db database)) and (user near3 profile) and (training same user) and ((hypertext extensible) with markup with language)	US-PGPUB; USPAT; USOCR; FPRS; EPO; JPO; DERWENT; IBM_TDB	OR	ON	2014/11/16 13:15
S14	5	S13 not S9	US-PGPUB; USPAT; USOCR; FPRS; EPO; JPO; DERWENT; IBM_TDB	OR	ON	2014/11/16 13:15
S15	202	(document same review\$3) and (user near3 profile) and (recommend same (journal document))	US-PGPUB; USPAT; USOCR; FPRS; EPO; JPO; DERWENT; IBM_TDB	OR	ON	2014/11/16 13:17
S16	18	(document same review\$3) and (recommend same (journal document)) and (user near3 profile) and (training) and ((hypertext extensible) with markup with language)	US-PGPUB; USPAT; USOCR; FPRS; EPO; JPO; DERWENT; IBM_TDB	OR	ON	2014/11/16 13:18
S17	2377	(707/768,E17.008).CCLS.	US-PGPUB; USPAT	OR	OFF	2014/11/16 14:03
S18	30226	(G06F17/30867 OR G06F17/30699 OR G06F17/3089 OR G06F17/30705).CPC.	US-PGPUB; USPAT; USOCR; FPRS; EPO; JPO; DERWENT; IBM_TDB	OR	ON	2014/11/16 14:05
S19	7	S15 and S17	US-PGPUB; USPAT; USOCR; FPRS; EPO; JPO; DERWENT; IBM_TDB	OR	ON	2014/11/16 14:05
S20	49	S15 and S18	US-PGPUB; USPAT; USOCR; FPRS; EPO; JPO; DERWENT; IBM_TDB	OR	ON	2014/11/16 14:05
S21	0	(document same review\$3) and (user near3 profile) and (recommend same (journal document)) and (preferred same reviewer)	US-PGPUB; USPAT; USOCR; FPRS; EPO; JPO; DERWENT; IBM_TDB	OR	ON	2014/11/16 14:54
S22	1	("20100153440").PN.	US-PGPUB; USPAT	OR	OFF	2014/11/16 15:43

S23	14743	(document with submit\$3)	US-PGPUB; USPAT; USOCR; FPRS; EPO; JPO; DERWENT; IBM_TDB	OR	ON	2014/11/20 10:28
S24	285	(document with submit\$3) same (record with (user author)) same (record with document)	US-PGPUB; USPAT; USOCR; FPRS; EPO; JPO; DERWENT; IBM_TDB	OR	ON	2014/11/20 10:29
S25	18	(document with submit\$3) same (record with (user author)) same (record with document) and ((migrat\$3 export\$3) same (db database))	US-PGPUB; USPAT; USOCR; FPRS; EPO; JPO; DERWENT; IBM_TDB	OR	ON	2014/11/20 10:30
S26	237	(online near3 document near3 management)	US-PGPUB; USPAT; USOCR; FPRS; EPO; JPO; DERWENT; IBM_TDB	OR	ON	2014/11/20 11:07
S27	1	("20040003353").PN.	US-PGPUB; USPAT	OR	OFF	2014/11/20 11:47
S28	1	("20020107921").PN.	US-PGPUB; USPAT	OR	OFF	2014/11/20 11:49
S29	0	(recommmed same journal)	US-PGPUB; USPAT; USOCR; FPRS; EPO; JPO; DERWENT; IBM_TDB	OR	ON	2014/11/20 13:45
S30	3060	(recommend\$3 same journal)	US-PGPUB; USPAT; USOCR; FPRS; EPO; JPO; DERWENT; IBM_TDB	OR	ON	2014/11/20 13:45
S31	4	(recommend\$3 same journal) and ((fingerprint similiarity) same journal)	US-PGPUB; USPAT; USOCR; FPRS; EPO; JPO; DERWENT; IBM_TDB	OR	ON	2014/11/20 13:46
S32	0	("2014/0006341").URPN.	USPAT	OR	ON	2014/11/20 13:48
S33	917	review\$5 and recommend\$3 and (migrat\$3 same database)	US-PGPUB; USPAT; USOCR; FPRS; EPO; JPO;	OR	ON	2014/11/20 13:49



			DERWENT; IBM_TDB			
S34	132	review\$5 and recommend\$3 and (migrat\$3 same database) and editor and training	US-PGPUB; USPAT; USOCR; FPRS; EPO; JPO; DERWENT; IBM_TDB	OR	ON	2014/11/20 13:50
S35	128	review\$5 and recommend\$3 and (migrat\$3 same database) and editor and training and (document journal)	US-PGPUB; USPAT; USOCR; FPRS; EPO; JPO; DERWENT; IBM_TDB	OR	ON	2014/11/20 13:50
S36	0	review\$5 and recommend\$3 and (migrat\$3 same database) and editor and training and (prefer\$3 near3 reviewer)	US-PGPUB; USPAT; USOCR; FPRS; EPO; JPO; DERWENT; IBM_TDB	OR	ON	2014/11/20 14:21
S37	40	(prefer\$3 near3 reviewer)	US-PGPUB; USPAT; USOCR; FPRS; EPO; JPO; DERWENT; IBM_TDB	OR	ON	2014/11/20 14:21
S38	7	(recommend\$3 same (journal document) same (author) same similarity)	US-PGPUB; USPAT; USOCR; FPRS; EPO; JPO; DERWENT; IBM_TDB	OR	ON	2014/11/20 15:59
S39	254149	(receiv\$3 same document)	US-PGPUB; USPAT; USOCR; FPRS; EPO; JPO; DERWENT; IBM_TDB	OR	ON	2014/11/20 16:21
S40	2156	(receiv\$3 same document) and (database same (document jurnal) same (author))	US-PGPUB; USPAT; USOCR; FPRS; EPO; JPO; DERWENT; IBM_TDB	OR	ON	2014/11/20 16:21
S41	1133	(receiv\$3 same document) and ((access\$3 retriev\$3 obtain\$3 get\$3) same database same (document jurnal) same (author))	US-PGPUB; USPAT; USOCR; FPRS; EPO; JPO; DERWENT; IBM_TDB	OR	ON	2014/11/20 16:22
S42	1293	(receiv\$3 same (document journal article)) and ((access\$3 retriev\$3 obtain\$3 get\$3) same database same	US-PGPUB; USPAT; USOCR;	OR	ON	2014/11/20 16:23

		(document journal article) same (author))	FPRS; EPO; JPO; DERWENT; IBM_TDB			
S43	696	((receiv\$3 same (document journal article)) and ((access\$3 retriev\$3 obtain\$3 get\$3) same database same (document journal article) same (author)) and ((migrat\$3 import\$3 export\$3) same (document journal article))	US-PGPUB; USPAT; USOCR; FPRS; EPO; JPO; DERWENT; IBM_TDB	OR	ON	2014/11/20 16:24
S44	393	((receiv\$3 same (document journal article)) and ((access\$3 retriev\$3 obtain\$3 get\$3) same database same (document journal article) same (author)) and ((migrat\$3 import\$3 export\$3) same (document journal article) same database)	US-PGPUB; USPAT; USOCR; FPRS; EPO; JPO; DERWENT; IBM_TDB	OR	ON	2014/11/20 16:24
S45	30282	(G06F17/30867 OR G06F17/30699 OR G06F17/3089 OR G06F17/30705).CPC.	US-PGPUB; USPAT; USOCR; FPRS; EPO; JPO; DERWENT; IBM_TDB	OR	ON	2014/11/20 16:24
S46	22	S44 and S45	US-PGPUB; USPAT; USOCR; FPRS; EPO; JPO; DERWENT; IBM_TDB	OR	ON	2014/11/20 16:24
S48	91	((receiv\$3 same (document journal article)) and ((access\$3 retriev\$3 obtain\$3 get\$3) same database same (document journal article) same (author)) and ((migrat\$3 import\$3 export\$3) same (document journal article) same non same database)	US-PGPUB; USPAT; USOCR; FPRS; EPO; JPO; DERWENT; IBM_TDB	OR	ON	2014/11/20 16:48
S49	1	("20030014428").PN.	US-PGPUB; USPAT	OR	OFF	2014/11/20 16:56
S50	34	("20030014428"   "20030028525"   "20030164849"   "20040172405"   "20050086078"   "20050154693"   "20060053365"   "20070113169"   "20070118515"   "20070219995"   "20080010294"   "6374290"   "7257767").PN.	US-PGPUB; USPAT; USOCR; FPRS; EPO; JPO; DERWENT; IBM_TDB	OR	ON	2014/11/20 16:59
S51	9	(peer same review same (technical with journal))	US-PGPUB; USPAT; USOCR; FPRS; EPO; JPO; DERWENT; IBM_TDB	OR	ON	2014/11/20 17:30
S52	14876	(document near3 management near3 system)	US-PGPUB; USPAT; USOCR; FPRS; EPO; JPO; DERWENT;	OR	ON	2014/11/20 17:52

			IBM_TDB			
S53	9489	(document adj management adj system)	US-PGPUB; USPAT; USOCR; FPRS; EPO; JPO; DERWENT; IBM_TDB	OR	ON	2014/11/20 17:52
S54	634	(document adj management adj system) and (user adj profile)	US-PGPUB; USPAT; USOCR; FPRS; EPO; JPO; DERWENT; IBM_TDB	OR	ON	2014/11/20 17:54
S55	607	(document adj management adj system) and (user adj profile) and (document same information)	US-PGPUB; USPAT; USOCR; FPRS; EPO; JPO; DERWENT; IBM_TDB	OR	ON	2014/11/20 17:54
S56	301	(document adj management adj system) and (user adj profile) and (document same information) and ((migrat\$5 exchang\$3) same document)	US-PGPUB; USPAT; USOCR; FPRS; EPO; JPO; DERWENT; IBM_TDB	OR	ON	2014/11/20 17:55
S57	105	(document adj management adj system) and (user adj profile) and (document same information) and ((migrat\$5 exchang\$3) same document) and (submit\$3 same document)	US-PGPUB; USPAT; USOCR; FPRS; EPO; JPO; DERWENT; IBM_TDB	OR	ON	2014/11/20 17:56
S58	2	(migrat\$3 with (journal document artical file)) same (non-sister with database)	US-PGPUB; USPAT; USOCR; FPRS; EPO; JPO; DERWENT; IBM_TDB	OR	ON	2014/11/21 11:09
S59	142315	(migrat\$3 exchang\$3 import\$3 export\$3) same (database)	US-PGPUB; USPAT; USOCR; FPRS; EPO; JPO; DERWENT; IBM_TDB	OR	ON	2014/11/21 11:15
S60	69254	(migrat\$3 exchang\$3 import\$3 export\$3) with (database)	US-PGPUB; USPAT; USOCR; FPRS; EPO; JPO; DERWENT; IBM_TDB	OR	ON	2014/11/21 11:15
S61	11654	(migrat\$3 exchang\$3 import\$3 export\$3) with (document journal article file) with (database)	US-PGPUB; USPAT; USOCR; FPRS;	OR	ON	2014/11/21 11:16

			EPO; JPO; DERWENT; IBM_TDB			
S62	31	((migrat\$3 exchang\$3 import\$3 export\$3) with (document journal article file) with (database)) same (un\$1related non\$1sister non\$1brother non\$1sibling)	US-PGPUB; USPAT; USOCR; FPRS; EPO; JPO; DERWENT; IBM_TDB	OR	ON	2014/11/21 11:19
S63	1109	(migrat\$3) with (document journal article file) with (database)	US-PGPUB; USPAT; USOCR; FPRS; EPO; JPO; DERWENT; IBM_TDB	OR	ON	2014/11/21 11:29
S64	320	(migrat\$3) near3 (document journal article file) with (database)	US-PGPUB; USPAT; USOCR; FPRS; EPO; JPO; DERWENT; IBM_TDB	OR	ON	2014/11/21 11:29
S65	163	((migrat\$3) with (document journal article file) with (database)) and (document with manag\$5)	US-PGPUB; USPAT; USOCR; FPRS; EPO; JPO; DERWENT; IBM_TDB	OR	ON	2014/11/21 11:30
S66	189	(recommend\$3 with (document) same (similarity))	US-PGPUB; USPAT; USOCR; FPRS; EPO; JPO; DERWENT; IBM_TDB	OR	ON	2014/11/21 14:51
S67	3	(recommend\$3 with (document) same (similarity) same (fingerprint))	US-PGPUB; USPAT; USOCR; FPRS; EPO; JPO; DERWENT; IBM_TDB	OR	ON	2014/11/21 14:51
S68	0	(preferred near3 reviewer)	US-PGPUB; USPAT; USOCR; FPRS; EPO; JPO; DERWENT; IBM_TDB	OR	ON	2014/11/21 16:40
S69	40	(prefer\$3 near3 reviewer)	US-PGPUB; USPAT; USOCR; FPRS; EPO; JPO; DERWENT; IBM_TDB	OR	ON	2014/11/21 16:41
S70	4	(prefer\$3 near3 reviewer) and (assign\$3 with editor)	US-PGPUB; USPAT;	OR	ON	2014/11/21 16:42

			USOCR; FPRS; EPO; JPO; DERWENT; IBM_TDB			
S71	30708	(document same review)	US-PGPUB; USPAT; USOCR; FPRS; EPO; JPO; DERWENT; IBM_TDB	OR	ON	2014/11/21 16:44
S72	40	(document same review) and (prefer\$3 with reviewer)	US-PGPUB; USPAT; USOCR; FPRS; EPO; JPO; DERWENT; IBM_TDB	OR	ON	2014/11/21 16:44
S73	5	(document same review) and (prefer\$3 with reviewer) and (editor)	US-PGPUB; USPAT; USOCR; FPRS; EPO; JPO; DERWENT; IBM_TDB	OR	ON	2014/11/21 16:45
S74	4	("20060282762"   "20110178981").PN.	US-PGPUB; USPAT; USOCR; FPRS; EPO; JPO; DERWENT; IBM_TDB	OR	ON	2014/11/21 16:47
S75	2	(author with prefer\$3 with reviewer)	US-PGPUB; USPAT; USOCR; FPRS; EPO; JPO; DERWENT; IBM_TDB	OR	ON	2014/11/21 17:00
S76	0	(preferred adj reviewer)	US-PGPUB; USPAT; USOCR; FPRS; EPO; JPO; DERWENT; IBM_TDB	OR	ON	2014/11/21 17:01
S77	0	(preferred adj reviewers)	US-PGPUB; USPAT; USOCR; FPRS; EPO; JPO; DERWENT; IBM_TDB	OR	ON	2014/11/21 17:02
S78	0	(preferred adj3 reviewer)	US-PGPUB; USPAT; USOCR; FPRS; EPO; JPO; DERWENT; IBM_TDB	OR	ON	2014/11/21 17:03

S79	0	("preferred" adj3 reviewer)	US-PGPUB; USPAT; USOCR; FPRS; EPO; JPO; DERWENT; IBM_TDB	OR	ON	2014/11/21 17:03
S80	68	(prefer\$3 with reviewer)	US-PGPUB; USPAT; USOCR; FPRS; EPO; JPO; DERWENT; IBM_TDB	OR	ON	2014/11/21 17:03
S81	9611	waterfall	US-PGPUB; USPAT; FPRS; EPO; JPO; DERWENT; IBM_TDB	OR	ON	2015/03/06 14:34
S82	132	waterfall same article	US-PGPUB; USPAT; FPRS; EPO; JPO; DERWENT; IBM_TDB	OR	ON	2015/03/06 14:35
S83	2	("20080134176").PN.	US-PGPUB; USPAT; FPRS; EPO; JPO; DERWENT; IBM_TDB	OR	OFF	2015/03/19 16:50
S85	25993	(journal newspaper magazine) same (recommend\$7 advocat\$7 endors\$7 commend\$7 suggest\$7)	US-PGPUB; USPAT; FPRS; EPO; JPO; DERWENT; IBM_TDB	OR	ON	2015/10/19 14:25
S86	9020	(journal newspaper magazine) with (recommend\$7 advocat\$7 endors\$7 commend\$7 suggest\$7)	US-PGPUB; USPAT; FPRS; EPO; JPO; DERWENT; IBM_TDB	OR	ON	2015/10/19 14:27
S87	38408	(G06F17/30867 OR G06F17/30699 OR G06F17/3089 OR G06F17/30705).CPC.	US-PGPUB; USPAT; USOCR; FPRS; EPO; JPO; DERWENT; IBM_TDB	OR	ON	2015/10/19 14:27
S88	198	S86 and S87	US-PGPUB; USPAT; USOCR; FPRS; EPO; JPO; DERWENT; IBM_TDB	OR	ON	2015/10/19 14:27
S89	1	((journal newspaper magazine) with (recommend\$7 advocat\$7 endors\$7 commend\$7 suggest\$7)) same author	US-PGPUB; USPAT; FPRS;	OR	ON	2015/10/19 14:50

		with submitted with (article journal))	EPO; JPO; DERWENT; IBM_TDB			
S90	9	((journal newspaper magazine) with (recommend\$7 advocat\$7 endors\$7 commend\$7 suggest\$7)) and (author with submitted with (article journal))	US-PGPUB; USPAT; FPRS; EPO; JPO; DERWENT; IBM_TDB	OR	ON	2015/10/19 15:09
S91	51	("4989610"   "5042771"   "5164751"   "5269014"   "5307262"   "5359509"   "5432657"   "5446842"   "5659766"   "5706452"   "5819032"   "5862223"   "5873107"   "5890177"   "6070177"   "6088702"   "6122643"   "6151609"   "6167368"   "6212517"   "6223165").PN. OR ("7007232").URPN.	US-PGPUB; USPAT; USOCR	OR	ON	2015/10/19 15:12
S92	241	((journal newspaper magazine) with (recommend\$7 advocat\$7 endors\$7 commend\$7 suggest\$7)) and (author with (article journal))	US-PGPUB; USPAT; FPRS; EPO; JPO; DERWENT; IBM_TDB	OR	ON	2015/10/19 17:48
S93	430	((journal newspaper magazine) with (recommend\$7 advocat\$7 endors\$7 commend\$7 suggest\$7)) and (author same (article journal))	US-PGPUB; USPAT; FPRS; EPO; JPO; DERWENT; IBM_TDB	OR	ON	2015/10/19 17:48
S94	2	((journal newspaper magazine) with (recommend\$7 advocat\$7 endors\$7 commend\$7 suggest\$7)) same (similar\$3 fingerprint\$3)) and (author same (article journal))	US-PGPUB; USPAT; FPRS; EPO; JPO; DERWENT; IBM_TDB	OR	ON	2015/10/19 17:50
S95	3	"52666413".FMI D.	US-PGPUB; USPAT; FPRS	OR	ON	2015/10/19 17:52
S96	2	("20150234890").PN.	US-PGPUB; USPAT; FPRS; EPO; JPO; DERWENT; IBM_TDB	OR	OFF	2015/10/20 08:52
S97	2	("20140289212").PN.	US-PGPUB; USPAT; FPRS; EPO; JPO; DERWENT; IBM_TDB	OR	OFF	2015/10/20 08:55
S98	2	("20080320579").PN.	US-PGPUB; USPAT; FPRS; EPO; JPO; DERWENT; IBM_TDB	OR	OFF	2015/10/20 09:57
S99	14	("8201085").PN.	US-PGPUB; USPAT; FPRS;	OR	OFF	2015/10/20 10:01

			EPO; JPO; DERWENT; IBM_TDB			
S100	9	("20030001873"   "20060010145"   "20060218492"   "20060248123"   "20070172062"   "5802493"   "6490603"   "7136178"   "7904806").PN. OR ("8201085").URPN.	US-PGPUB; USPAT; USOCR	OR	ON	2015/10/20 10:02
S101	3	("20060123348").PN.	US-PGPUB; USPAT; FPRS; EPO; JPO; DERWENT; IBM_TDB	OR	OFF	2015/10/20 10:09
S102	3	("20040034652").PN.	US-PGPUB; USPAT; FPRS; EPO; JPO; DERWENT; IBM_TDB	OR	OFF	2015/10/20 10:14
S103	2	("20070136272").PN.	US-PGPUB; USPAT; FPRS; EPO; JPO; DERWENT; IBM_TDB	OR	OFF	2015/10/20 10:20
S104	2	("20140337383").PN.	US-PGPUB; USPAT; FPRS; EPO; JPO; DERWENT; IBM_TDB	OR	OFF	2015/10/20 11:28
S105	565	(author same submit\$3 same (article journal))	US-PGPUB; USPAT; FPRS; EPO; JPO; DERWENT; IBM_TDB	OR	ON	2015/10/20 13:40
S106	160	(author same submit\$3 same (article journal)) and (author same profile)	US-PGPUB; USPAT; FPRS; EPO; JPO; DERWENT; IBM_TDB	OR	ON	2015/10/20 13:40
S107	9	(author same submit\$3 same (article journal)) and (author same profile) and (recommend\$3 same (articel journal))	US-PGPUB; USPAT; FPRS; EPO; JPO; DERWENT; IBM_TDB	OR	ON	2015/10/20 13:41
S108	2	("20110184893").PN.	US-PGPUB; USPAT; FPRS; EPO; JPO; DERWENT; IBM_TDB	OR	OFF	2015/10/20 14:35
S109	3	("20060031245").PN.	US-PGPUB; USPAT; FPRS;	OR	OFF	2015/10/21 09:04



			EPO; JPO; DERWENT; IBM_TDB			
S110	4	("20040172357"   "7996392").PN.	US-PGPUB; USPAT; FPRS; EPO; JPO; DERWENT; IBM_TDB	OR	ON	2015/10/21 09:06
S111	1	(rejected with journal) same (waterfall)	US-PGPUB; USPAT; FPRS; EPO; JPO; DERWENT; IBM_TDB	OR	ON	2016/02/02 17:39
S112	1	(rejected with journal) and (waterfall)	US-PGPUB; USPAT; FPRS; EPO; JPO; DERWENT; IBM_TDB	OR	ON	2016/02/03 10:11
S113	3	("20150082156").PN.	US-PGPUB; USPAT; FPRS; EPO; JPO; DERWENT; IBM_TDB	OR	OFF	2016/02/03 11:53
S114	3	"52666413".FMI D.	US-PGPUB; USPAT; FPRS	OR	ON	2016/02/03 11:58
S115	2	("20080320579").PN.	US-PGPUB; USPAT; FPRS; EPO; JPO; DERWENT; IBM_TDB	OR	OFF	2016/02/03 12:00
S116	3	("20060123348").PN.	US-PGPUB; USPAT; FPRS; EPO; JPO; DERWENT; IBM_TDB	OR	OFF	2016/02/03 12:01
S117	2	("20090204469").PN.	US-PGPUB; USPAT; FPRS; EPO; JPO; DERWENT; IBM_TDB	OR	OFF	2016/02/03 13:03
S118	482	(journal same recommend)	US-PGPUB; USPAT	OR	ON	2016/02/03 14:15
S119	5	(journal same recommend) and (journal same rejected)	US-PGPUB; USPAT	OR	ON	2016/02/03 14:16
S120	3	"49779216".FMI D.	US-PGPUB; USPAT; FPRS	OR	ON	2016/02/04 14:15
S121	3	("20060123348").PN.	US-PGPUB; USPAT; FPRS; EPO; JPO; DERWENT;	OR	OFF	2016/02/04 14:18

			IBM_TDB			
S122	3	("7539938").PN.	US-PGPUB; USPAT; FPRS; EPO; JPO; DERWENT; IBM_TDB	OR	OFF	2016/02/04 14:50
S123	27	("4989610"   "5042771"   "5164751"   "5269014"   "5307262"   "5359509"   "5432657"   "5446842"   "5659766"   "5706452"   "5819032"   "5862223"   "5873107"   "5890177"   "6070177"   "6088702"   "6122643"   "6151609"   "6167368"   "6195651"   "6212517"   "6223165").PN. OR ("7539938").URPN.	US-PGPUB; USPAT; USOCR	OR	ON	2016/02/04 14:52
S124	10553	(waterfall)	US-PGPUB; USPAT; FPRS; EPO; JPO; DERWENT; IBM_TDB	OR	ON	2016/02/04 14:57
S125	29	(waterfall) same (journal)	US-PGPUB; USPAT; FPRS; EPO; JPO; DERWENT; IBM_TDB	OR	ON	2016/02/04 14:57
S126	2	("20070288851").PN.	US-PGPUB; USPAT; FPRS; EPO; JPO; DERWENT; IBM_TDB	OR	OFF	2016/02/04 14:58
S127	5	(waterfall) and (journal same (submit\$4 submission))	US-PGPUB; USPAT; FPRS; EPO; JPO; DERWENT; IBM_TDB	OR	ON	2016/02/04 15:05
S128	105	(waterfall) and ((journal article document) same (submit\$4 submission))	US-PGPUB; USPAT; FPRS; EPO; JPO; DERWENT; IBM_TDB	OR	ON	2016/02/04 15:05
S129	39743	(transfer\$4 SAME JOURNAL)	US-PGPUB; USPAT; FPRS; EPO; JPO; DERWENT; IBM_TDB	OR	ON	2016/02/04 15:15
S130	21039	(transfer\$4 with journal)	US-PGPUB; USPAT; FPRS; EPO; JPO; DERWENT; IBM_TDB	OR	ON	2016/02/04 15:15
S131	84	(transfer\$4 with journal) same (submit\$5 submission)	US-PGPUB; USPAT;	OR	ON	2016/02/04 15:15

			FPRS; EPO; JPO; DERWENT; IBM_TDB			
S132	43	(transfer\$4 with journal) same (submit\$5 submission) and publish\$3	US-PGPUB; USPAT; FPRS; EPO; JPO; DERWENT; IBM_TDB	OR	ON	2016/02/04 15:16
S133	43	(transfer\$4 with journal) same (submit\$5 submission) and publish\$5	US-PGPUB; USPAT; FPRS; EPO; JPO; DERWENT; IBM_TDB	OR	ON	2016/02/04 15:17
S134	43	(transfer\$4 with journal) same (submit\$5 submission) and publish\$7	US-PGPUB; USPAT; FPRS; EPO; JPO; DERWENT; IBM_TDB	OR	ON	2016/02/04 15:17
S135	53	("4989610"   "5042771"   "5164751"   "5269014"   "5307262"   "5359509"   "5432657"   "5446842"   "5659766"   "5706452"   "5819032"   "5862223"   "5873107"   "5890177"   "6070177"   "6088702"   "6122643"   "6151609"   "6167368"   "6212517"   "6223165").PN. OR ("7007232").URPN.	US-PGPUB; USPAT; USOCR	OR	ON	2016/02/04 15:43
S136	3	("7539938").PN.	US-PGPUB; USPAT; FPRS; EPO; JPO; DERWENT; IBM_TDB	OR	OFF	2016/03/24 11:39

## EAST Search History (Interference)

Ref #	Hits	Search Query	DBs	Default Operator	Plurals	Time Stamp
L2	20301	(G06F17/30867 OR G06F17/30699 OR G06F17/3089 OR G06F17/30705).CPC.	US- PGPUB; USPAT	OR	ON	2016/04/12 13:09
L18	0	((journal with recommend\$7) same (waterfall\$5)).clm.	US- PGPUB; USPAT	OR	ON	2016/04/12 14:50
L19	9	((journal with recommend\$7)).clm.	US- PGPUB; USPAT	OR	ON	2016/04/12 14:50
L20	0	2 and 19	US- PGPUB; USPAT	OR	ON	2016/04/12 14:50

4/ 12/ 2016 3:03:01 PM

C:\Users\sfan\Documents\EAST\Workspaces\13536700.wsp



## AMENDMENTS TO THE CLAIMS

This listing of claims will replace all prior versions, and listings, of claims in the application:

### Listing of Claims:

1. (Currently amended) An online journal recommendation system, comprising:  
one or more editorial computers connected to a multi-node network, said editorial computers comprising one or more program controlled data processors configured to:
  - receive an author-submitted article for publication via said multi-node network;
  - access journal database records, wherein said database records include information associated with previously submitted articles and corresponding author user profiles;
  - create a first fingerprint of a plurality of published articles in a particular journal from the journal database records;
  - create a second fingerprint of the author-submitted article;
  - compare the first fingerprint with the second fingerprint to determine whether the particular journal has articles with a high similarity to the author-submitted article;
  - recommend the particular journal to the author as a potential journal for submission of the author-submitted article [[if]] when the particular journal has published articles which have a high similarity; and
  - [[if]] when the author-submitted article is rejected from the particular journal:
    - receive a first input, from the author of the submitted article for publication, comprising a request to initiate a waterfall process for the rejected author-submitted article,
    - provide a first notification of the first input to a receiving journal device,

receive a confirmation to proceed from the receiving journal device,  
transform the rejected author-submitted article into a waterfalled article,  
transmit data comprising a submission to the receiving journal device,  
wherein the submission comprises the waterfalled article and metadata, [[and]]  
receive a transmission from the receiving journal device, wherein the  
transmission comprises ~~an acceptance or a rejection of the submission~~ and an  
option to continue the waterfall process with a second receiving journal, and  
when an affirmation of the option to continue the waterfall process with the  
second receiving journal is received:

transmit one or more journal recommendations to the author of the  
submitted article for publication, wherein the one or more journal  
recommendations comprise one or more potential receiving journals that contain  
articles having a high similarity with the waterfalled article, and  
receive a second input from the author of the submitted article for  
publication comprising a selection of the second receiving journal and forward  
the waterfalled article to the second selected journal.

2.-4. (Canceled)

5. (Previously presented) The journal recommendation system of claim 1, wherein one or more of said editorial computers select one or more submitted articles and process the selected articles as a group with shared properties.

6. (Previously presented) The online journal recommendation system of claim 5, wherein one or more of said editorial computers create a group template for the selected articles.

7.-8. (Canceled)

9. (Previously presented) The online journal recommendation system of claim 1, wherein said one or more program controlled data processors are further configured to convert one or more submitted articles to a Common Readable Format.

10. (Previously presented) The online journal recommendation system of claim 9, wherein said Common Readable Format is Hypertext Markup Language or Extensible Markup Language.

11. (Previously presented) The online journal recommendation system of claim 1, wherein one or more of the editorial computers automatically assigns editors according to rules and settings of the journal recommendation system.

12. (Previously presented) The online journal recommendation system of claim 1, wherein one or more of the editorial computers search for reviewers by taking into account the author's preferred reviewers.

13. (Previously presented) The online journal recommendation system of claim 1, wherein annotations to the author-submitted article are made in the author-submitted article.

14.-32. (Canceled)

33. (New) A method of recommending an online journal, the method comprising:  
receiving, by one or more editorial computers connected to a multi-node network, an author-submitted article for publication via said multi-node network;

accessing, by the one or more editorial computers, journal database records, wherein said database records include information associated with previously submitted articles and corresponding author user profiles;

creating, by the one or more editorial computers, a first fingerprint of a plurality of published articles in a particular journal from the journal database records;

creating, by the one or more editorial computers, a second fingerprint of the author-submitted article;

comparing, by the one or more editorial computers, the first fingerprint with the second fingerprint to determine whether the particular journal has articles with a high similarity to the author-submitted article;

recommending, by the one or more editorial computers, the particular journal to the author as a potential journal for submission of the author-submitted article when the particular journal has published articles which have a high similarity; and

when the author-submitted article is rejected from the particular journal:

receiving, by the one or more editorial computers, a first input, from the author of the submitted article for publication, comprising a request to initiate a waterfall process for the rejected author-submitted article,

providing, by the one or more editorial computers, a first notification of the first input to a receiving journal device,

receiving, by the one or more editorial computers, a confirmation to proceed from the receiving journal device,

transforming, by the one or more editorial computers, the rejected author-submitted article into a waterfalled article,



transmitting, by the one or more editorial computers, data comprising a submission to the receiving journal device, wherein the submission comprises the waterfalled article and metadata,

receiving, by the one or more editorial computers, a transmission from the receiving journal device, wherein the transmission comprises a rejection of the submission and an option to continue the waterfall process with a second receiving journal, and

when an affirmation of the option to continue the waterfall process with the second receiving journal is received:


transmitting, by the one or more editorial computers, one or more journal recommendations to the author of the submitted article for publication, wherein the one or more journal recommendations comprise one or more potential receiving journals that contain articles having a high similarity with the waterfalled article, and

receiving, by the one or more editorial computers, a second input from the author of the submitted article for publication comprising a selection of the second receiving journal and forward the waterfalled article to the second selected journal.

34. (New) The method of claim 33, further comprising selecting, by the one or more editorial computers, one or more submitted articles and processing, by the one or more editorial computers, the selected articles as a group with shared properties.

35. (New) The method of claim 34, further comprising creating, by the one or more editorial computers, a group template for the selected articles.


36. (New) The method of claim 33, converting, by the one or more editorial computers, one or more submitted articles to a Common Readable Format.
37. (New) The method of claim 36, wherein said Common Readable Format is Hypertext Markup Language or Extensible Markup Language.
38. (New) The method of claim 33, further comprising automatically assigning, by the one or more editorial computers, editors according to rules and settings.
39. (New) The method of claim 33, further comprising searching, by the one or more editorial computers, for reviewers by taking into account the author's preferred reviewers.
40. (New) The method of claim 33, wherein annotations to the author-submitted article are made in the author-submitted article.

<b>Issue Classification</b> 	<b>Application/Control No.</b> 13536700	<b>Applicant(s)/Patent Under Reexamination</b> LOPULALAN, ROBIN JASON
	<b>Examiner</b> SHIOW-JY FAN	<b>Art Unit</b> 2168

CPC						
Symbol					Type	Version
G06F		17		30	F	2013-01-01
G06F		17		30011	I	2013-01-01


CPC Combination Sets				
Symbol	Type	Set	Ranking	Version

NONE	<b>Total Claims Allowed:</b>		
(Assistant Examiner)	(Date)	16	
/SHIOW-JY FAN/ Primary Examiner.Art Unit 2168	4/12/2016	O.G. Print Claim(s)	O.G. Print Figure
(Primary Examiner)	(Date)	1	8

<b>Issue Classification</b>  	<b>Application/Control No.</b> 13536700	<b>Applicant(s)/Patent Under Reexamination</b> LOPULALAN, ROBIN JASON
	<b>Examiner</b> SHIOW-JY FAN	<b>Art Unit</b> 2168

US ORIGINAL CLASSIFICATION						INTERNATIONAL CLASSIFICATION								
CLASS			SUBCLASS			CLAIMED				NON-CLAIMED				
						G	0	6	F	17 / 30 (2006.01.01)				
<b>CROSS REFERENCE(S)</b>														
CLASS	SUBCLASS (ONE SUBCLASS PER BLOCK)													

NONE			<b>Total Claims Allowed:</b>	
			16	
(Assistant Examiner)		(Date)	O.G. Print Claim(s)	O.G. Print Figure
/SHIOW-JY FAN/ Primary Examiner.Art Unit 2168		4/12/2016	1	8
(Primary Examiner)		(Date)		

<b>Issue Classification</b> 	<b>Application/Control No.</b> 13536700	<b>Applicant(s)/Patent Under Reexamination</b> LOPULALAN, ROBIN JASON
	<b>Examiner</b> SHIOW-JY FAN	<b>Art Unit</b> 2168

<input checked="" type="checkbox"/> Claims renumbered in the same order as presented by applicant		<input checked="" type="checkbox"/> CPA		<input type="checkbox"/> T.D.		<input type="checkbox"/> R.1.47									
Final	Original	Final	Original	Final	Original	Final	Original	Final	Original	Final	Original	Final	Original	Final	Original
1	1		17	9	33										
	2		18	10	34										
	3		19	11	35										
	4		20	12	36										
2	5		21	13	37										
3	6		22	14	38										
	7		23	15	39										
	8		24	16	40										
4	9		25												
5	10		26												
6	11		27												
7	12		28												
8	13		29												
	14		30												
	15		31												
	16		32												

NONE		<b>Total Claims Allowed:</b>	
		16	
(Assistant Examiner)	(Date)	O.G. Print Claim(s)	O.G. Print Figure
/SHIOW-JY FAN/ Primary Examiner.Art Unit 2168	4/12/2016	1	8
(Primary Examiner)	(Date)		


**UNITED STATES PATENT AND TRADEMARK OFFICE**

UNITED STATES DEPARTMENT OF COMMERCE  
**United States Patent and Trademark Office**  
 Address: COMMISSIONER FOR PATENTS  
 P.O. Box 1450  
 Alexandria, Virginia 22313-1450  
 www.uspto.gov

**BIB DATA SHEET**
**CONFIRMATION NO. 4371**

SERIAL NUMBER	FILING or 371(c) DATE	CLASS	GROUP ART UNIT	ATTORNEY DOCKET NO.		
13/536,700	06/28/2012	707	2168	77434-40 / ELV0017PA		
<b>APPLICANTS</b>						
<b>INVENTORS</b>						
Robin Jason Lopulalan, Residence Not Provided;						
** CONTINUING DATA *****						
** FOREIGN APPLICATIONS *****						
** IF REQUIRED, FOREIGN FILING LICENSE GRANTED **						
07/16/2012						
Foreign Priority claimed 35 USC 119(a-d) conditions met Verified and Acknowledged	<input type="checkbox"/> Yes <input checked="" type="checkbox"/> No  <input type="checkbox"/> Yes <input checked="" type="checkbox"/> No  /SHIOW-JY FAN/ Examiner's Signature	<input type="checkbox"/> Met after Allowance  Initials	<b>STATE OR COUNTRY</b>	<b>SHEETS DRAWINGS</b>	<b>TOTAL CLAIMS</b>	<b>INDEPENDENT CLAIMS</b>
				11	20 16	2
<b>ADDRESS</b>						
DINSMORE & SHOHL LLP 255 East Fifth Street, Suite 1900 CINCINNATI, OH 45202 UNITED STATES						
<b>TITLE</b>						
Online Peer Review System and Method						
<b>FILING FEE RECEIVED</b> 1380	FEES: Authority has been given in Paper No. _____ to charge/credit DEPOSIT ACCOUNT No. _____ for following:			<input type="checkbox"/> All Fees <input type="checkbox"/> 1.16 Fees (Filing) <input type="checkbox"/> 1.17 Fees (Processing Ext. of time) <input type="checkbox"/> 1.18 Fees (Issue) <input type="checkbox"/> Other _____ <input type="checkbox"/> Credit		

## Fan, Shio-w-Jy

---

**From:** Pisano, Anthony <Anthony.Pisano@DINSMORE.COM>  
**Sent:** Tuesday, April 12, 2016 12:09 PM  
**To:** Fan, Shio-w-Jy  
**Subject:** Re: 13/536,700 Proposed claims for Examiner's Amendment (Our ref. 77434-40)

Examiner Fan:

I authorize you to enter the examiners amendment.

Anthony

On Apr 12, 2016, at 6:41 AM, Fan, Shio-w-Jy <[shio-w-jy.fan@USPTO.GOV](mailto:shio-w-jy.fan@USPTO.GOV)> wrote:

Mr. Pisano,

The proposed amendment looks good. Please authorize me to enter the amendment as Examiner's Amendment.  
Further search/consideration will be performed and will let you know if there are any issues.

Best Regards,  
Examiner Fan

---

**From:** Pisano, Anthony [<mailto:Anthony.Pisano@DINSMORE.COM>]  
**Sent:** Monday, April 11, 2016 12:45 PM  
**To:** Fan, Shio-w-Jy <[shio-w-jy.fan@USPTO.GOV](mailto:shio-w-jy.fan@USPTO.GOV)>  
**Cc:** Oldfield, Theresa <[theresa.oldfield@dinsmore.com](mailto:theresa.oldfield@dinsmore.com)>  
**Subject:** RE: 13/536,700 Proposed claims for Examiner's Amendment (Our ref. 77434-40)

Examiner Fan:

Thank you for your edits. I made a few minor changes in **blue** (added "of the" in a few places and changed "waterfall" to "waterfalled"). I also canceled the withdrawn claims and added method claims that conform to the system claims. Please let me know if you have any additional comments or questions.

Regards,

Anthony

<image001.jpg>  
Anthony L. Pisano

T (412) 230-8988 • M (412) 639-2681 • F (412) 281-5055  
E [anthony.pisano@dinsmore.com](mailto:anthony.pisano@dinsmore.com) • [dinsmore.com](http://dinsmore.com)  
\*My telephone number has changed. Please update your records accordingly.

---

**From:** Fan, Shio-w-Jy [<mailto:shio-w-jy.fan@USPTO.GOV>]  
**Sent:** Friday, April 08, 2016 11:49 AM

**To:** Pisano, Anthony  
**Subject:** RE: 13/536,700 Proposed claims for Examiner's Amendment (Our ref. 77434-40)

Mr. Pisano,

Sorry for the late response. Attached is the edited amendment (in red). Please amend as needed and cancel the withdrawn claims. You may add other groups of claims as long as they are conformed to the current group of the claims.

Please forward the complete set of claims to me and let me know if you have questions.

Best Regards,  
Examiner Fan

---

**From:** Pisano, Anthony [<mailto:Anthony.Pisano@DINSMORE.COM>]  
**Sent:** Thursday, March 31, 2016 1:47 PM  
**To:** Fan, Shio-w-Jy <[shio-w-jy.fan@USPTO.GOV](mailto:shio-w-jy.fan@USPTO.GOV)>  
**Cc:** Oldfield, Theresa <[theresa.oldfield@dinsmore.com](mailto:theresa.oldfield@dinsmore.com)>  
**Subject:** RE: 13/536,700 Proposed claims for Examiner's Amendment (Our ref. 77434-40)

Examiner Fan:

I apologize – my email software automatically converts to PDF and I forgot about this feature. Attached is a Word version.

Anthony

<image001.jpg>  
Anthony L. Pisano

T (412) 230-8988 • M (412) 639-2681 • F (412) 281-5055  
E [anthony.pisano@dinsmore.com](mailto:anthony.pisano@dinsmore.com) • [dinsmore.com](http://dinsmore.com)  
\*My telephone number has changed. Please update your records accordingly.

---

**From:** Fan, Shio-w-Jy [<mailto:shio-w-jy.fan@USPTO.GOV>]  
**Sent:** Thursday, March 31, 2016 1:43 PM  
**To:** Pisano, Anthony  
**Subject:** RE: 13/536,700 Proposed claims for Examiner's Amendment (Our ref. 77434-40)

Mr. Pisano,

The proposed amendment is received. It is greatly appreciated that you send a Word version so I can edit the document.

Best Regards,  
Examiner Fan

---

**From:** Pisano, Anthony [<mailto:Anthony.Pisano@DINSMORE.COM>]  
**Sent:** Thursday, March 31, 2016 11:01 AM  
**To:** Fan, Shio-w-Jy <[shio-w-jy.fan@USPTO.GOV](mailto:shio-w-jy.fan@USPTO.GOV)>  
**Cc:** Oldfield, Theresa <[theresa.oldfield@dinsmore.com](mailto:theresa.oldfield@dinsmore.com)>  
**Subject:** RE: 13/536,700 Proposed claims for Examiner's Amendment (Our ref. 77434-40)



Examiner Fan:

Per our discussion a few moments ago, attached are the proposed claims for the Examiner's Amendment. I am going to be unavailable via telephone for most of the day today, so if you have any questions or concerns, please email me.

Recognizing that Internet communications are not secure, I hereby authorize the USPTO to communicate with the undersigned and practitioners in accordance with 37 CFR 1.33 and 37 CFR 1.34 concerning any subject matter of this application by video conferencing, instant messaging, or electronic mail. I understand that a copy of these communications will be made of record in the application file.

Regards,

Anthony

<image001.jpg>  
**Anthony L. Pisano**  
Associate

Dinsmore & Shohl LLP • Legal Counsel

One Oxford Centre, 301 Grant Street  
Suite 2800  
Pittsburgh, PA 15219


T (412) 230-8988 • M (412) 639-2681 • F (412) 281-5055

E anthony.pisano@dinsmore.com • dinsmore.com

\*My telephone number has changed. Please update your records accordingly.

---

NOTICE: This electronic mail transmission from the law firm of Dinsmore & Shohl may constitute an attorney-client communication that is privileged at law. It is not intended for transmission to, or receipt by, any unauthorized persons. If you have received this electronic mail transmission in error, please delete it from your system without copying it, and notify the sender by reply e-mail, so that our address record can be corrected.

<b>Search Notes</b>  	<b>Application/Control No.</b>  13536700	<b>Applicant(s)/Patent Under Reexamination</b>  LOPULALAN, ROBIN JASON
	<b>Examiner</b>  SHIOW-JY FAN	<b>Art Unit</b>  2168

<b>CPC- SEARCHED</b>		
<b>Symbol</b>	<b>Date</b>	<b>Examiner</b>
G06F17/30867 OR G06F17/30699 OR G06F17/3089 OR G06F17/30705	11/16/14	sf
G06F17/30867 OR G06F17/30699 OR G06F17/3089 OR G06F17/30705	4/12/16	sf

<b>CPC COMBINATION SETS - SEARCHED</b>		
<b>Symbol</b>	<b>Date</b>	<b>Examiner</b>

<b>US CLASSIFICATION SEARCHED</b>			
<b>Class</b>	<b>Subclass</b>	<b>Date</b>	<b>Examiner</b>
707	768,E17.008	11/16/14	sf

<b>SEARCH NOTES</b>		
<b>Search Notes</b>	<b>Date</b>	<b>Examiner</b>
Inventor name search	11/16/14	sf
EAST	11/16, 20-21/14	sf
EAST update	10/19-20/15	sf
EAST update		
EAST update	2/2-4/16, 4/12/16	sf
ip.com	4/12/16	sf

<b>INTERFERENCE SEARCH</b>			
<b>US Class/ CPC Symbol</b>	<b>US Subclass / CPC Group</b>	<b>Date</b>	<b>Examiner</b>
G06F	17/30867 17/30699 17/3089 17/30705	4/12/16	sf

--	--



UNITED STATES PATENT AND TRADEMARK OFFICE

UNITED STATES DEPARTMENT OF COMMERCE  
United States Patent and Trademark Office  
Address: COMMISSIONER FOR PATENTS  
P.O. Box 1450  
Alexandria, Virginia 22313-1450  
www.uspto.gov

APPLICATION NO.	FILING DATE	FIRST NAMED INVENTOR	ATTORNEY DOCKET NO.	CONFIRMATION NO.
13/536,700	06/28/2012	Robin Jason Lopulalan	77434-40 / ELV0017PA	4371
24256	7590	01/20/2016	EXAMINER	
DINSMORE & SHOHL LLP 255 East Fifth Street, Suite 1900 CINCINNATI, OH 45202			FAN, SHIOW-JY	
			ART UNIT	PAPER NUMBER
			2168	
			MAIL DATE	DELIVERY MODE
			01/20/2016	PAPER

**Please find below and/or attached an Office communication concerning this application or proceeding.**

The time period for reply, if any, is set in the attached communication.

<b>Applicant-Initiated Interview Summary</b>	<b>Application No.</b> 13/536,700	<b>Applicant(s)</b> LOPULALAN, ROBIN JASON	
	<b>Examiner</b> SHIOW-JY FAN	<b>Art Unit</b> 2168	

All participants (applicant, applicant's representative, PTO personnel):

(1) SHIOW-JY FAN. (3)\_\_\_\_\_.

(2) ANTHONY L. PISANO (reg. No. 65,098). (4)\_\_\_\_\_.

Date of Interview: 12 January 2016.

Type:  Telephonic  Video Conference  
 Personal [copy given to:  applicant  applicant's representative]

Exhibit shown or demonstration conducted:  Yes  No.  
If Yes, brief description: \_\_\_\_\_.

Issues Discussed 101 112 102 103 Others  
(For each of the checked box(es) above, please describe below the issue and detailed description of the discussion)

Claim(s) discussed: 1.

Identification of prior art discussed: Rollins and Guo.

**Substance of Interview**

(For each issue discussed, provide a detailed description and indicate if agreement was reached. Some topics may include: identification or clarification of a reference or a portion thereof, claim interpretation, proposed amendments, arguments of any applied references etc...)

The applicant's representative and the examiner discussed the invention and the claimed limitations. The examiner suggested the applicant to further define limitations for advancing prosecution. However, there was no agreement reached.

The examiner will perform further search upon received amendment .

**Applicant recordation instructions:** The formal written reply to the last Office action must include the substance of the interview. (See MPEP section 713.04). If a reply to the last Office action has already been filed, applicant is given a non-extendable period of the longer of one month or thirty days from this interview date, or the mailing date of this interview summary form, whichever is later, to file a statement of the substance of the interview

**Examiner recordation instructions:** Examiners must summarize the substance of any interview of record. A complete and proper recordation of the substance of an interview should include the items listed in MPEP 713.04 for complete and proper recordation including the identification of the general thrust of each argument or issue discussed, a general indication of any other pertinent matters discussed regarding patentability and the general results or outcome of the interview, to include an indication as to whether or not agreement was reached on the issues raised.

Attachment

/SHIOW-JY FAN/  
Primary Examiner, Art Unit 2168

## Summary of Record of Interview Requirements

### Manual of Patent Examining Procedure (MPEP), Section 713.04, Substance of Interview Must be Made of Record

A complete written statement as to the substance of any face-to-face, video conference, or telephone interview with regard to an application must be made of record in the application whether or not an agreement with the examiner was reached at the interview.

### Title 37 Code of Federal Regulations (CFR) § 1.133 Interviews

Paragraph (b)

In every instance where reconsideration is requested in view of an interview with an examiner, a complete written statement of the reasons presented at the interview as warranting favorable action must be filed by the applicant. An interview does not remove the necessity for reply to Office action as specified in §§ 1.111, 1.135. (35 U.S.C. 132)

37 CFR §1.2 Business to be transacted in writing.

All business with the Patent or Trademark Office should be transacted in writing. The personal attendance of applicants or their attorneys or agents at the Patent and Trademark Office is unnecessary. The action of the Patent and Trademark Office will be based exclusively on the written record in the Office. No attention will be paid to any alleged oral promise, stipulation, or understanding in relation to which there is disagreement or doubt.

The action of the Patent and Trademark Office cannot be based exclusively on the written record in the Office if that record is itself incomplete through the failure to record the substance of interviews.

It is the responsibility of the applicant or the attorney or agent to make the substance of an interview of record in the application file, unless the examiner indicates he or she will do so. It is the examiner's responsibility to see that such a record is made and to correct material inaccuracies which bear directly on the question of patentability.

Examiners must complete an Interview Summary Form for each interview held where a matter of substance has been discussed during the interview by checking the appropriate boxes and filling in the blanks. Discussions regarding only procedural matters, directed solely to restriction requirements for which interview recordation is otherwise provided for in Section 812.01 of the Manual of Patent Examining Procedure, or pointing out typographical errors or unreadable script in Office actions or the like, are excluded from the interview recordation procedures below. Where the substance of an interview is completely recorded in an Examiners Amendment, no separate Interview Summary Record is required.

The Interview Summary Form shall be given an appropriate Paper No., placed in the right hand portion of the file, and listed on the "Contents" section of the file wrapper. In a personal interview, a duplicate of the Form is given to the applicant (or attorney or agent) at the conclusion of the interview. In the case of a telephone or video-conference interview, the copy is mailed to the applicant's correspondence address either with or prior to the next official communication. If additional correspondence from the examiner is not likely before an allowance or if other circumstances dictate, the Form should be mailed promptly after the interview rather than with the next official communication.

The Form provides for recordation of the following information:

- Application Number (Series Code and Serial Number)
- Name of applicant
- Name of examiner
- Date of interview
- Type of interview (telephonic, video-conference, or personal)
- Name of participant(s) (applicant, attorney or agent, examiner, other PTO personnel, etc.)
- An indication whether or not an exhibit was shown or a demonstration conducted
- An identification of the specific prior art discussed
- An indication whether an agreement was reached and if so, a description of the general nature of the agreement (may be by attachment of a copy of amendments or claims agreed as being allowable). Note: Agreement as to allowability is tentative and does not restrict further action by the examiner to the contrary.
- The signature of the examiner who conducted the interview (if Form is not an attachment to a signed Office action)

It is desirable that the examiner orally remind the applicant of his or her obligation to record the substance of the interview of each case. It should be noted, however, that the Interview Summary Form will not normally be considered a complete and proper recordation of the interview unless it includes, or is supplemented by the applicant or the examiner to include, all of the applicable items required below concerning the substance of the interview.

A complete and proper recordation of the substance of any interview should include at least the following applicable items:

- 1) A brief description of the nature of any exhibit shown or any demonstration conducted,
- 2) an identification of the claims discussed,
- 3) an identification of the specific prior art discussed,
- 4) an identification of the principal proposed amendments of a substantive nature discussed, unless these are already described on the Interview Summary Form completed by the Examiner,
- 5) a brief identification of the general thrust of the principal arguments presented to the examiner,  
(The identification of arguments need not be lengthy or elaborate. A verbatim or highly detailed description of the arguments is not required. The identification of the arguments is sufficient if the general nature or thrust of the principal arguments made to the examiner can be understood in the context of the application file. Of course, the applicant may desire to emphasize and fully describe those arguments which he or she feels were or might be persuasive to the examiner.)
- 6) a general indication of any other pertinent matters discussed, and
- 7) if appropriate, the general results or outcome of the interview unless already described in the Interview Summary Form completed by the examiner.

Examiners are expected to carefully review the applicant's record of the substance of an interview. If the record is not complete and accurate, the examiner will give the applicant an extendable one month time period to correct the record.

### Examiner to Check for Accuracy

If the claims are allowable for other reasons of record, the examiner should send a letter setting forth the examiner's version of the statement attributed to him or her. If the record is complete and accurate, the examiner should place the indication, "Interview Record OK" on the paper recording the substance of the interview along with the date and the examiner's initials.

Docket No. 77434-40 / ELV0017PA

**PATENT**

**CERTIFICATE OF EFS ELECTRONIC TRANSMISSION**

I hereby certify that this paper is being transmitted to the United States Patent Office by the USPTO EFS web electronic filing system on January 19, 2016.

/ Anthony L. Pisano /

Anthony L. Pisano

**IN THE UNITED STATES PATENT & TRADEMARK OFFICE**

Application of:

Applicant : Robin Jason Lopulalan  
Serial No. : 13/536,700  
Filed : June 28, 2012  
Title : Online Peer Review System and Method  
Docket : 77434-40 / ELV0017PA  
Examiner : Shiow-Jy Fan  
Art Unit : 2168

Commissioner for Patents  
P.O. Box 1450  
Alexandria, VA 22313-1450

**AMENDMENT AND RESPONSE**

This paper is being filed in response to the Office Action of October 22, 2015.  
Reconsideration of the present application is respectfully requested.

**Amendments to the Claims** begin on page 2; and

**Remarks** begin on page 8.

## AMENDMENTS TO THE CLAIMS

This listing of claims will replace all prior versions, and listings, of claims in the application:

### Listing of Claims:

1. (Currently amended) An online journal recommendation system, comprising:
  - one or more editorial computers connected to a multi-node network, said editorial computers comprising one or more program controlled data processors configured to:
    - receive an author-submitted article for publication via said multi-node network;
    - access journal database records, wherein said database records include information associated with previously submitted articles and corresponding author user profiles;
    - create a first fingerprint of a published article in a particular journal from the journal database records;
    - create a second fingerprint of the author-submitted article;
    - compare the first fingerprint with the second fingerprint to determine whether the particular journal has articles with a high similarity to the author-submitted article;
  - [[and]]
    - recommend the particular journal to the author as a potential journal for submission of the author-submitted article if the particular journal has published articles which have a high similarity; and
    - if the author-submitted article is rejected from the particular journal:
      - receive a first input comprising a request to initiate a waterfall process for the rejected author-submitted article,
      - provide a first notification of the input to a receiving journal device,
      - receive a confirmation to proceed from the receiving journal device,
      - transform the rejected author-submitted article into a waterfalled article,
      - transmit data comprising a submission to the receiving journal device,
      - wherein the submission comprises the waterfalled article and metadata, and
      - receive a transmission from the receiving journal device, wherein the transmission comprises an acceptance or a rejection of the submission.
- 2.-4. (Canceled)

5. (Previously presented) The journal recommendation system of claim 1, wherein one or more of said editorial computers select one or more submitted articles and process the selected articles as a group with shared properties.
6. (Previously presented) The online journal recommendation system of claim 5, wherein one or more of said editorial computers create a group template for the selected articles.
- 7.-8. (Canceled)
9. (Currently amended) The online journal recommendation system of claim 1, wherein said one or more program controlled data processors are further configured to convert one or more submitted articles to a Common Readable Format.
10. (Currently amended) The online journal recommendation system of claim 9, wherein said Common Readable Format is Hypertext Markup Language or Extensible Markup Language.
11. (Currently amended) The online journal recommendation system of claim 1, wherein one or more of the editorial computers automatically assigns editors according to rules and settings of the journal recommendation system.
12. (Currently amended) The online journal recommendation system of claim 1, wherein one or more of the editorial computers search for reviewers by taking into account the author's preferred reviewers.
13. (Currently amended) The online journal recommendation system of claim 1, wherein annotations to the author-submitted article are made in the author-submitted article.
- 14.-20. (Canceled)
21. (Withdrawn) A system for managing documents, the system comprising:
  - a processing device; and
  - a non-transitory, processor-readable storage medium in communication with the processing device, wherein the non-transitory, processor-readable storage medium comprises one or more programming instructions that, when executed, cause the processing device to:



receive a first input comprising a request to initiate a waterfall process for a rejected article,

provide a first notification of the input to a receiving journal device,

receive a confirmation to proceed from the receiving journal device,

transform the rejected article into a waterfalled article,

transmit data comprising a submission to the receiving journal device,

wherein the submission comprises the waterfalled article and metadata, and

receive a transmission from the receiving journal device, wherein the transmission comprises an acceptance or a rejection of the submission.

22. (Withdrawn) The system of claim 21, wherein the non-transitory, processor-readable storage medium further comprises one or more programming instructions that, when executed, cause the processing device to:

receive a second input from an author of the rejected article, wherein the second input comprises a confirmation of the request to initiate the waterfall process for the rejected article, and

transmit a second notification to the author, wherein the second notification comprises an indication that the rejected article will be waterfalled.

23. (Withdrawn) The system of claim 21, wherein the non-transitory, processor-readable storage medium further comprises one or more programming instructions that, when executed, cause the processing device to, if the transmission comprises a rejection of the submission:

transmit a second notification to the author, wherein the second notification comprises the rejection and an option to continue the waterfall process with a second receiving journal, and

if the author transmits an affirmation of the option to continue the waterfall process with a second receiving journal:

transmit one or more journal recommendations to the author, and

receive a transmission comprising a selection of the second receiving journal from the author.

24. (Withdrawn) The system of claim 22, wherein the one or more journal recommendations comprise one or more potential receiving journals that contain articles with a high similarity with the waterfalled article.

25. (Withdrawn) The system of claim 21, wherein the non-transitory, processor-readable storage medium further comprises one or more programming instructions that, if executed, cause the processing device to, if the transmission comprises an acceptance of the submission:

assign a submission ID to the waterfalled article,  
determine whether the receiving journal device requires additional information, and  
if the receiving journal device requires additional information, query the author to obtain the additional information.

26. (Withdrawn) The system of claim 21, wherein the non-transitory, processor-readable storage medium further comprises one or more programming instructions that, if executed, cause the processing device to, if a request is received for additional information from the receiving journal device:

query the author for the additional information, and  
if the author responds to the query with the additional information, assign a system ID and a file ID to the additional information, generate a common readable format (CRF) file, and transmit the system ID.

27. (Withdrawn) A method for managing documents, the method comprising:  
receiving, by a processing device, a first input comprising a request to initiate a waterfall process for a rejected article,

providing, by the processing device, a first notification of the input to a receiving journal device,

receiving, by the processing device, a confirmation to proceed from the receiving journal device,

transforming, by the processing device, the rejected article into a waterfalled article,

transmitting, by the processing device, data comprising a submission to the receiving journal device, wherein the submission comprises the waterfalled article and metadata, and

receiving, by the processing device, a transmission from the receiving journal device, wherein the transmission comprises an acceptance or a rejection of the submission.

28. (Withdrawn) The method of claim 27, further comprising:

receiving, by the processing device, a second input from an author of the rejected article, wherein the second input comprises a confirmation of the request to initiate the waterfall process for the rejected article, and

transmitting, by the processing device, a second notification to the author, wherein the second notification comprises an indication that the rejected article will be waterfalled.

29. (Withdrawn) The method of claim 27, further comprising, if the transmission comprises a rejection of the submission:

transmitting, by the processing device, a second notification to the author, wherein the second notification comprises the rejection and an option to continue the waterfall process with a second receiving journal, and

if the author transmits an affirmation of the option to continue the waterfall process with a second receiving journal:

transmitting, by the processing device, one or more journal recommendations to the author, and

receiving, by the processing device, a transmission comprising a selection of the second receiving journal from the author.

30. (Withdrawn) The method of claim 29, wherein the one or more journal recommendations comprise one or more potential receiving journals that contain articles with a high similarity with the waterfalled article.

31. (Withdrawn) The method of claim 27, further comprising, if the transmission comprises an acceptance of the submission:

assigning, by the processing device, a submission ID to the waterfalled article, determining, by the processing device, whether the receiving journal device requires additional information, and

if the receiving journal device requires additional information, querying, by the processing device, the author to obtain the additional information.

32. (Withdrawn) The method of claim 27, further comprising, if a request is received for additional information from the receiving journal device:

querying, by the processing device, the author for the additional information, and  
if the author responds to the query with the additional information, assigning, by the processing device, a system ID and a file ID to the additional information, generate a common readable format (CRF) file, and transmit the system ID.

## **REMARKS**

Claims 1, 5-6, and 9-13 are pending in the current application. Claims 2-4, 7-8, and 14-20 have previously been cancelled. Claims 21-32 are withdrawn. Claim 1 is rejected under pre-AIA 35 U.S.C. § 103(a) as being unpatentable over Rollins et al. (U.S. Publication No. 2008/0320579 “Rollins”) in view of Guo (U.S. Publication No. 2010/0106669 “Guo”). Claims 5-6 are rejected under pre-AIA 35 U.S.C. § 103(a) as being unpatentable over Rollins in view of Guo as applied to claim 1, and further in view of Ciaramitaro et al. (U.S. Publication No. 2005/0004951 “Ciaramitaro”). Claims 9-10 are rejected under pre-AIA 35 U.S.C. § 103(a) as being unpatentable over Rollins in view of Guo as applied to claim 1, and further in view of De Angelis et al. (U.S. Publication No. 2011/0072013 “De Angelis”). Claims 11 and 13 are rejected under pre-AIA 35 U.S.C. § 103(a) as being unpatentable over Rollins in view of Guo as applied to claim 1, and further in view of Diamond et al. (U.S. Publication No. 2006/0282762 “Diamond”). Claim 12 is rejected under pre-AIA 35 U.S.C. § 103(a) as being unpatentable over Rollins in view of Guo as applied to claim 1, and further in view of Vaithilingam et al. (U.S. Publication No. 2001/0047357 “Vaithilingam”). These rejections are respectfully traversed for at least the reasons presented below. Reconsideration is respectfully requested in view of the remarks and amendments submitted herewith.

### **Amendments to the claims**

Claim 1 has been amended to incorporate subject matter of withdrawn claim 21. Additional support for these amendments may be found in the specification, figures, and claims as originally filed, particularly at paragraphs [0053]-[0054]. It is believed that no new matter has been entered through these amendments and entry is respectfully requested.

### **Summary of Examiner Interview**

Applicant’s representative, Anthony Pisano, thanks Examiner Fan for the courteous telephonic interview conducted on January 12, 2016. The claims of the instant application were discussed in view of the cited references. Examiner Fan noted that incorporation of claim 21 into claim 1 might potentially result in allowable subject matter. However, agreement was not reached.

**Rejections under 35 U.S.C. § 103(a)**

As noted hereinabove, claim 1 is rejected under pre-AIA 35 U.S.C. §103(a) as being unpatentable over Rollins in view of Guo. Claims 5-6 are rejected under pre-AIA 35 U.S.C. §103(a) as being unpatentable over Rollins in view of Guo as applied to claim 1, and further in view of Ciaramitaro. Claims 9-10 are rejected under pre-AIA 35 U.S.C. §103(a) as being unpatentable over Rollins in view of Guo as applied to claim 1, and further in view of De Angelis. Claims 11 and 13 are rejected under pre-AIA 35 U.S.C. §103(a) as being unpatentable over Rollins in view of Guo as applied to claim 1, and further in view of Diamond. Claim 12 is rejected under pre-AIA 35 U.S.C. §103(a) as being unpatentable over Rollins in view of Guo as applied to claim 1, and further in view of Vaithilingam.

*Claim 1*

Independent claim 1 is patentable over Rollins in view of Guo because Rollins and Guo, whether considered alone or in any combination, fail to teach or fairly suggest each and every recitation of claim 1. More particularly, Rollins and Guo fail to teach or suggest at least the following “if the author submitted article is rejected from the particular journal”:

- receive a first input comprising a request to initiate a waterfall process for the rejected author-submitted article,
- provide a first notification of the input to a receiving journal device,
- receive a confirmation to proceed from the receiving journal device,
- transform the rejected author-submitted article into a waterfalled article,
- transmit data comprising a submission to the receiving journal device, wherein the submission comprises the waterfalled article and metadata, and
- receive a transmission from the receiving journal device, wherein the transmission comprises an acceptance or a rejection of the submission

Rollins discloses “workflow solutions for authors ... in validating references cited or included in papers and other submissions for publication or for review.” Rollins at [0012]. Rollins further discloses that a reference is automatically validated by checking the citation format and validating that the cited reference actually exists and was published as cited. *See id.* at [0015]. A method of validating the reference includes “receiving an electronic document previously prepared by an author using a formatting structure, ... executing on the electronic document a reference validation process ... to determine the validity of the set of cited references

... [and] generating an output comprising data representing the validity determination.” *Id.* at [0017]).

Guo discloses a manuscript submission decision support system “to help scholars to choose suitable journals in order to submit their manuscripts.” Guo at [0005]. Guo discloses filtering potential journals based on a questionnaire that is completed by an author. *See id.* at [0015].

Rollins does not relate to an article that has been rejected from a particular journal. Indeed, Rollins merely relates to checking citations of articles, and thus an issue of whether an article has been rejected is wholly irrelevant. *See* Rollins at [0015]. As such, because Rollins does not disclose rejecting an article from a particular journal, Rollins cannot disclose receiving an input comprising a request to initiate a waterfall process, providing a first notification, receiving a confirmation, transforming, transmitting data, and receiving a transmission as recited in claim 1 because such processes only occur if an article has been rejected from a particular journal. Moreover, Rollins is entirely silent with respect to a waterfall process, as recited in claim 1.

Guo fails to remedy the deficiencies of Rollins. Particularly, Guo also does not relate to an article that has been rejected from a particular journal. To the contrary, Guo relates to reducing a rejection rate of articles by attempting to avoid such rejection. *See* Guo at [0003]. As such, because Guo does not disclose rejecting an article from a particular journal, Guo cannot disclose receiving an input comprising a request to initiate a waterfall process, providing a first notification, receiving a confirmation, transforming, transmitting data, and receiving a transmission, as recited in claim 1. Moreover, Guo is entirely silent with respect to a waterfall process, as recited in claim 1.

In addition, the Office states “Guo discloses to create one journal manuscript submission decision support system...which can be utilized by Rollins to recommend the similar documents to the author who submitted similar article and to increase user satisfaction rate.” Applicant respectfully disagrees for at least the reasons presented below.

A person having ordinary skill in the art would never be motivated to combine the teachings of Rollins with the teachings of Guo because Rollins relates solely to checking and verifying citations in a submitted article. There is no teaching or suggestion anywhere in Rollins that a particular journal is recommended to an author. Indeed, upon reading Rollins, a person

having ordinary skill in the art would understand that an author already has a journal selected, hence the need for checking citations before submitting the article. Thus, it is clear that the Examiner has used hindsight in formulating a reason for combining the cite checking abilities of Rollins with the manuscript submission system of Guo to arrive at the system recited in claim 1. Use of such hindsight is impermissible under 35 U.S.C. §103. (See MPEP §2142: “impermissible hindsight must be avoided and the legal conclusion must be reached on the basis of *the facts gleaned from the prior art*” (emphasis added). ““Any judgment on obviousness is in a sense necessarily a reconstruction based on hindsight reasoning, but so long as it takes into account only knowledge which was within the level of ordinary skill in the art at the time the claimed invention was made and does *not include knowledge gleaned only from applicant’s disclosure*, such a reconstruction is proper” (MPEP § 2145(X)(A), quoting *In re McLaughlin*, 443 F.2d 1392, 1395 (CCPA 1971), (emphasis added)).

Accordingly, Applicant respectfully submits that Rollins and Guo, whether considered alone or in any combination, fail to teach or fairly suggest all of the recitations of claim 1. Thus, claim 1 is allowable over Rollins and Guo. Withdrawal of the rejection and reconsideration is respectfully requested.

#### *Claims 5-6*

Claims 5 and 6 depend from claim 1 and thus incorporate all of the recitations of claim 1. Therefore, for at least the reasons presented above with respect to claim 1, claims 5 and 6 are likewise allowable over Rollins and Guo. Moreover, Ciaramitaro fails to remedy the deficiencies of Rollins and Guo. Accordingly, Applicant respectfully submits that Rollins, Guo, and Ciaramitaro, whether considered alone or in any combination, fail to teach or fairly suggest all of the recitations of claims 5 and 6. Thus, claims 5 and 6 are allowable over Rollins, Guo, and Ciaramitaro. Withdrawal of the rejection and reconsideration is respectfully requested.

#### *Claims 9-10*

Claims 9 and 10 depend from claim 1 and thus incorporate all of the recitations of claim 1. Therefore, for at least the reasons presented above with respect to claim 1, claims 9 and 10 are likewise allowable over Rollins and Guo. Moreover, De Angelis fails to remedy the deficiencies of Rollins and Guo. Accordingly, Applicant respectfully submits that Rollins, Guo, and De Angelis, whether considered alone or in any combination, fail to teach or fairly suggest all of the



recitations of claims 9 and 10. Thus, claims 9 and 10 are allowable over Rollins, Guo, and De Angelis. Withdrawal of the rejection and reconsideration is respectfully requested.

*Claims 11 and 13*

Claims 11 and 13 depend from claim 1 and thus incorporate all of the recitations of claim 1. Therefore, for at least the reasons presented above with respect to claim 1, claims 11 and 13 are likewise allowable over Rollins and Guo. Moreover, Diamond fails to remedy the deficiencies of Rollins and Guo. Accordingly, Applicant respectfully submits that Rollins, Guo, and Diamond, whether considered alone or in any combination, fail to teach or fairly suggest all of the recitations of claims 11 and 13. Thus, claims 11 and 13 are allowable over Rollins, Guo, and Diamond. Withdrawal of the rejection and reconsideration is respectfully requested.

*Claim 12*

Claim 12 depends from claim 1 and thus incorporates all of the recitations of claim 1. Therefore, for at least the reasons presented above with respect to claim 1, claim 12 is likewise allowable over Rollins and Guo. Moreover, Vaithilingam fails to remedy the deficiencies of Rollins and Guo. Accordingly, Applicant respectfully submits that Rollins, Guo, and Vaithilingam, whether considered alone or in any combination, fail to teach or fairly suggest all of the recitations of claim 12. Thus, claim 12 is allowable over Rollins, Guo, and Vaithilingam. Withdrawal of the rejection and reconsideration is respectfully requested.

*Withdrawn Claims 21-32*

Applicant respectfully submits that amended claim 1 contains subject matter that is similar to that of withdrawn independent claims 21 and 27. As such, restriction is not necessary and claims 21 and 27 (as well as claims 22-26 and 28-32 dependent thereon) are in condition for rejoinder. Accordingly, Applicant respectfully requests rejoinder of claims 21-32.

**Conclusion**

In view of the above remarks, Applicant respectfully submits that the application is now in condition for allowance. The Examiner is encouraged to contact the undersigned to resolve efficiently any formal matters or to discuss any aspects of the application or of this response. Otherwise, early notification of allowable subject matter is respectfully requested.

No additional fees are believed to be due. However, the Director is hereby authorized to charge all required fees (including any extension of time fees) and to credit any overpayment of fees in this and any concurrent or future correspondence to Deposit Account No. 041133.

Respectfully submitted,

/ Anthony L. Pisano /  
Anthony L. Pisano  
Registration No. 65,098  
Attorney for Assignee  
DINSMORE & SHOHL LLP  
One Oxford Centre  
301 Grant Street, Suite 2800  
Pittsburgh, PA 15219  
(412) 230-8988

## Electronic Acknowledgement Receipt

<b>EFS ID:</b>	24657455
<b>Application Number:</b>	13536700
<b>International Application Number:</b>	
<b>Confirmation Number:</b>	4371
<b>Title of Invention:</b>	Online Peer Review System and Method
<b>First Named Inventor/Applicant Name:</b>	Robin Jason Lopulalan
<b>Customer Number:</b>	24256
<b>Filer:</b>	Anthony Laurence Pisano/chris loeckel
<b>Filer Authorized By:</b>	Anthony Laurence Pisano
<b>Attorney Docket Number:</b>	77434-40 / ELV0017PA
<b>Receipt Date:</b>	19-JAN-2016
<b>Filing Date:</b>	28-JUN-2012
<b>Time Stamp:</b>	15:54:23
<b>Application Type:</b>	Utility under 35 USC 111(a)

### Payment information:

Submitted with Payment	no
------------------------	----

### File Listing:

Document Number	Document Description	File Name	File Size(Bytes)/ Message Digest	Multi Part /.zip	Pages (if appl.)
1		Response.pdf	62407 ea71cc3bf38c9609fa6e9c84ca94b0d7f28f9d85	yes	13

<b>Multipart Description/PDF files in .zip description</b>			
<b>Document Description</b>		<b>Start</b>	<b>End</b>
Amendment/Req. Reconsideration-After Non-Final Reject		1	1
Claims		2	7
Applicant Arguments/Remarks Made in an Amendment		8	13

**Warnings:**

**Information:**

<b>Total Files Size (in bytes):</b>	62407
-------------------------------------	-------

**This Acknowledgement Receipt evidences receipt on the noted date by the USPTO of the indicated documents, characterized by the applicant, and including page counts, where applicable. It serves as evidence of receipt similar to a Post Card, as described in MPEP 503.**

**New Applications Under 35 U.S.C. 111**

**If a new application is being filed and the application includes the necessary components for a filing date (see 37 CFR 1.53(b)-(d) and MPEP 506), a Filing Receipt (37 CFR 1.54) will be issued in due course and the date shown on this Acknowledgement Receipt will establish the filing date of the application.**

**National Stage of an International Application under 35 U.S.C. 371**

**If a timely submission to enter the national stage of an international application is compliant with the conditions of 35 U.S.C. 371 and other applicable requirements a Form PCT/DO/EO/903 indicating acceptance of the application as a national stage submission under 35 U.S.C. 371 will be issued in addition to the Filing Receipt, in due course.**

**New International Application Filed with the USPTO as a Receiving Office**

**If a new international application is being filed and the international application includes the necessary components for an international filing date (see PCT Article 11 and MPEP 1810), a Notification of the International Application Number and of the International Filing Date (Form PCT/RO/105) will be issued in due course, subject to prescriptions concerning national security, and the date shown on this Acknowledgement Receipt will establish the international filing date of the application.**

Under the Paperwork Reduction Act of 1995, no persons are required to respond to a collection of information unless it displays a valid OMB control number.

<b>PATENT APPLICATION FEE DETERMINATION RECORD</b> Substitute for Form PTO-875	Application or Docket Number <b>13/536,700</b>	Filing Date <b>06/28/2012</b>	<input type="checkbox"/> To be Mailed
---	---	----------------------------------	---------------------------------------

ENTITY:  LARGE  SMALL  MICRO

**APPLICATION AS FILED – PART I**

FOR	NUMBER FILED	NUMBER EXTRA	RATE (\$)	FEE (\$)
<input type="checkbox"/> BASIC FEE (37 CFR 1.16(a), (b), or (c))	N/A	N/A	N/A	
<input type="checkbox"/> SEARCH FEE (37 CFR 1.16(k), (l), or (m))	N/A	N/A	N/A	
<input type="checkbox"/> EXAMINATION FEE (37 CFR 1.16(o), (p), or (q))	N/A	N/A	N/A	
TOTAL CLAIMS (37 CFR 1.16(i))	minus 20 =	*	X \$ =	
INDEPENDENT CLAIMS (37 CFR 1.16(h))	minus 3 =	*	X \$ =	
<input type="checkbox"/> APPLICATION SIZE FEE (37 CFR 1.16(s))	If the specification and drawings exceed 100 sheets of paper, the application size fee due is \$310 (\$155 for small entity) for each additional 50 sheets or fraction thereof. See 35 U.S.C. 41(a)(1)(G) and 37 CFR 1.16(s).			
<input type="checkbox"/> MULTIPLE DEPENDENT CLAIM PRESENT (37 CFR 1.16(j))				
* If the difference in column 1 is less than zero, enter "0" in column 2.			TOTAL	

**APPLICATION AS AMENDED – PART II**

	(Column 1)	(Column 2)	(Column 3)	PRESENT EXTRA	RATE (\$)	ADDITIONAL FEE (\$)
<b>AMENDMENT</b>	<b>01/19/2016</b>	CLAIMS REMAINING AFTER AMENDMENT		HIGHEST NUMBER PREVIOUSLY PAID FOR		
	Total (37 CFR 1.16(i))	* 20	Minus	** 20	= 0	X \$80 = 0
	Independent (37 CFR 1.16(h))	* 3	Minus	***3	= 0	X \$420 = 0
	<input type="checkbox"/> Application Size Fee (37 CFR 1.16(s))					
<input type="checkbox"/> FIRST PRESENTATION OF MULTIPLE DEPENDENT CLAIM (37 CFR 1.16(j))						
					TOTAL ADD'L FEE	<b>0</b>

	(Column 1)	(Column 2)	(Column 3)	PRESENT EXTRA	RATE (\$)	ADDITIONAL FEE (\$)
<b>AMENDMENT</b>		CLAIMS REMAINING AFTER AMENDMENT		HIGHEST NUMBER PREVIOUSLY PAID FOR		
	Total (37 CFR 1.16(i))	*	Minus	**	=	X \$ =
	Independent (37 CFR 1.16(h))	*	Minus	***	=	X \$ =
	<input type="checkbox"/> Application Size Fee (37 CFR 1.16(s))					
<input type="checkbox"/> FIRST PRESENTATION OF MULTIPLE DEPENDENT CLAIM (37 CFR 1.16(j))						
					TOTAL ADD'L FEE	

\* If the entry in column 1 is less than the entry in column 2, write "0" in column 3.  
 \*\* If the "Highest Number Previously Paid For" IN THIS SPACE is less than 20, enter "20".  
 \*\*\* If the "Highest Number Previously Paid For" IN THIS SPACE is less than 3, enter "3".

The "Highest Number Previously Paid For" (Total or Independent) is the highest number found in the appropriate box in column 1.

LIE  
 /FLORENCE PATTERSON/

This collection of information is required by 37 CFR 1.16. The information is required to obtain or retain a benefit by the public which is to file (and by the USPTO to process) an application. Confidentiality is governed by 35 U.S.C. 122 and 37 CFR 1.14. This collection is estimated to take 12 minutes to complete, including gathering, preparing, and submitting the completed application form to the USPTO. Time will vary depending upon the individual case. Any comments on the amount of time you require to complete this form and/or suggestions for reducing this burden, should be sent to the Chief Information Officer, U.S. Patent and Trademark Office, U.S. Department of Commerce, P.O. Box 1450, Alexandria, VA 22313-1450. DO NOT SEND FEES OR COMPLETED FORMS TO THIS ADDRESS. **SEND TO: Commissioner for Patents, P.O. Box 1450, Alexandria, VA 22313-1450.**

If you need assistance in completing the form, call 1-800-PTO-9199 and select option 2.



UNITED STATES PATENT AND TRADEMARK OFFICE

UNITED STATES DEPARTMENT OF COMMERCE  
United States Patent and Trademark Office  
Address: COMMISSIONER FOR PATENTS  
P.O. Box 1450  
Alexandria, Virginia 22313-1450  
www.uspto.gov

APPLICATION NO.	FILING DATE	FIRST NAMED INVENTOR	ATTORNEY DOCKET NO.	CONFIRMATION NO.
13/536,700	06/28/2012	Robin Jason Lopulalan	77434-40 / ELV0017PA	4371
24256	7590	10/22/2015	EXAMINER	
DINSMORE & SHOHL LLP 255 East Fifth Street, Suite 1900 CINCINNATI, OH 45202			FAN, SHIOW-JY	
			ART UNIT	PAPER NUMBER
			2168	
			MAIL DATE	DELIVERY MODE
			10/22/2015	PAPER

**Please find below and/or attached an Office communication concerning this application or proceeding.**

The time period for reply, if any, is set in the attached communication.

<b>Office Action Summary</b>	<b>Application No.</b> 13/536,700	<b>Applicant(s)</b> LOPULALAN, ROBIN JASON	
	<b>Examiner</b> SHIOW-JY FAN	<b>Art Unit</b> 2168	<b>AIA (First Inventor to File) Status</b> No

-- The MAILING DATE of this communication appears on the cover sheet with the correspondence address --

### Period for Reply

A SHORTENED STATUTORY PERIOD FOR REPLY IS SET TO EXPIRE 3 MONTHS FROM THE MAILING DATE OF THIS COMMUNICATION.

- Extensions of time may be available under the provisions of 37 CFR 1.136(a). In no event, however, may a reply be timely filed after SIX (6) MONTHS from the mailing date of this communication.
- If NO period for reply is specified above, the maximum statutory period will apply and will expire SIX (6) MONTHS from the mailing date of this communication.
- Failure to reply within the set or extended period for reply will, by statute, cause the application to become ABANDONED (35 U.S.C. § 133). Any reply received by the Office later than three months after the mailing date of this communication, even if timely filed, may reduce any earned patent term adjustment. See 37 CFR 1.704(b).

### Status

- 1)  Responsive to communication(s) filed on 6/22/2015.  
 A declaration(s)/affidavit(s) under **37 CFR 1.130(b)** was/were filed on \_\_\_\_\_.
- 2a)  This action is **FINAL**.                                      2b)  This action is non-final.
- 3)  An election was made by the applicant in response to a restriction requirement set forth during the interview on \_\_\_\_\_; the restriction requirement and election have been incorporated into this action.
- 4)  Since this application is in condition for allowance except for formal matters, prosecution as to the merits is closed in accordance with the practice under *Ex parte Quayle*, 1935 C.D. 11, 453 O.G. 213.

### Disposition of Claims\*

- 5)  Claim(s) 1, 5, 6 and 9-13 is/are pending in the application.  
5a) Of the above claim(s) \_\_\_\_\_ is/are withdrawn from consideration.
- 6)  Claim(s) \_\_\_\_\_ is/are allowed.
- 7)  Claim(s) 1, 5-6, 9-13 is/are rejected.
- 8)  Claim(s) \_\_\_\_\_ is/are objected to.
- 9)  Claim(s) \_\_\_\_\_ are subject to restriction and/or election requirement.

\* If any claims have been determined allowable, you may be eligible to benefit from the **Patent Prosecution Highway** program at a participating intellectual property office for the corresponding application. For more information, please see [http://www.uspto.gov/patents/init\\_events/pph/index.jsp](http://www.uspto.gov/patents/init_events/pph/index.jsp) or send an inquiry to [PPHfeedback@uspto.gov](mailto:PPHfeedback@uspto.gov).

### Application Papers

- 10)  The specification is objected to by the Examiner.
- 11)  The drawing(s) filed on \_\_\_\_\_ is/are: a)  accepted or b)  objected to by the Examiner.  
Applicant may not request that any objection to the drawing(s) be held in abeyance. See 37 CFR 1.85(a).  
Replacement drawing sheet(s) including the correction is required if the drawing(s) is objected to. See 37 CFR 1.121(d).

### Priority under 35 U.S.C. § 119

- 12)  Acknowledgment is made of a claim for foreign priority under 35 U.S.C. § 119(a)-(d) or (f).

#### Certified copies:

- a)  All    b)  Some\*\*    c)  None of the:
1.  Certified copies of the priority documents have been received.
2.  Certified copies of the priority documents have been received in Application No. \_\_\_\_\_.
3.  Copies of the certified copies of the priority documents have been received in this National Stage application from the International Bureau (PCT Rule 17.2(a)).

\*\* See the attached detailed Office action for a list of the certified copies not received.

### Attachment(s)

- 1)  Notice of References Cited (PTO-892)
- 2)  Information Disclosure Statement(s) (PTO/SB/08a and/or PTO/SB/08b)  
Paper No(s)/Mail Date \_\_\_\_\_
- 3)  Interview Summary (PTO-413)  
Paper No(s)/Mail Date. \_\_\_\_\_
- 4)  Other: \_\_\_\_\_

Art Unit: 2168

The present application is being examined under the pre-AIA first to invent provisions.

### **DETAILED ACTION**

#### ***Continued Examination Under 37 CFR 1.114***

A request for continued examination under 37 CFR 1.114, including the fee set forth in 37 CFR 1.17(e), was filed in this application after final rejection. Since this application is eligible for continued examination under 37 CFR 1.114, and the fee set forth in 37 CFR 1.17(e) has been timely paid, the finality of the previous Office action has been withdrawn pursuant to 37 CFR 1.114. Applicant's submission filed on 6/22/2015 has been entered.

- a. This action is responsive to remarks and amendment filed on 6/22/2015.
- b. Rejections and/or objections not reiterated from previous office actions are hereby withdrawn.
- c. Claims 1, 5-6 and 9-13 are pending in this Office Action Claims 1, 5-6 and 9-13 have been amended. Claims 2-4, 7-8 and 14-20 have been cancelled. Claims 21-32 are withdrawn. Claim 1 is independent claim.

### **Remarks**

The claims and only the claims form the metes and bounds of the invention will be addressed. "Office personnel are to give claims their broadest reasonable interpretation in light of the supporting disclosure. In re Morris, 127 F.3d 1048, 1054-55, 44 USPQ2d 1023, 1027-28 (Fed. Cir. 1997). Limitations appearing in the specification but not recited in the claim are not



Art Unit: 2168

read into the claim. In re Prater, 415 F.2d 1393, 1404-05, 162 USPQ 541, 550-551 (CCPA 1969)” (MPEP p 2100-8, c 2, I 45-48; p 2100-9, c 1, I 1-4). The Examiner has full latitude to interpret each claim in the broadest reasonable interpretation in light of the specification. See MPEP 2111 [R-1]. The Examiner will reference prior art using terminology familiar to one of ordinary skill in the art. Such an approach is broad in concept and can be either explicit or implicit in meaning.

### ***Response to Arguments***

Applicant’s arguments with respect to claims 1, 5-6 and 9-13 have been considered but are moot because the arguments do not apply to any of the references being used in the current rejection.

### ***Claim Rejections - 35 USC § 103***

The following is a quotation of pre-AIA 35 U.S.C. 103(a) which forms the basis for all obviousness rejections set forth in this Office action:

(a) A patent may not be obtained though the invention is not identically disclosed or described as set forth in section 102 of this title, if the differences between the subject matter sought to be patented and the prior art are such that the subject matter as a whole would have been obvious at the time the invention was made to a person having ordinary skill in the art to which said subject matter pertains. Patentability shall not be negated by the manner in which the invention was made.

The factual inquiries set forth in *Graham v. John Deere Co.*, 383 U.S. 1, 148 USPQ 459 (1966), that are applied for establishing a background for determining obviousness under pre-AIA 35 U.S.C. 103(a) are summarized as follows:

Art Unit: 2168

1. Determining the scope and contents of the prior art.
2. Ascertaining the differences between the prior art and the claims at issue.
3. Resolving the level of ordinary skill in the pertinent art.
4. Considering objective evidence present in the application indicating obviousness or nonobviousness.

Claim 1 is rejected under pre-AIA 35 U.S.C. 103(a) as being unpatentable over Rollins et al. (US Pub. No. 2008/0320579 A1), hereinafter “**Rollins**” in view of Guo (US Pub. No. 2010/0106669 A1), hereinafter “**Guo**”.

Regarding claim 1, **Rollins** teaches an online journal recommendation system, comprising: one or more editorial computers connected to a multi-node network, said editorial computers comprising:

**one or more program controlled data processors** (See [0046], processor) **configured to:**

**receive an author-submitted article for publication via said multi-node network** (See [0034] and Figure 5, At article submission block 210, the document, structured or not, may be handled in either of two ways. The document may be passed directly on for peer review and decision at block 218 and then submitted to a publisher at Production block 220 without pre-submission author validation);

**access journal database records, wherein said database records include information associated with previously submitted articles** (See [0038], reference databases used for validation are local or available via the Internet or other

Art Unit: 2168

communications network to allow the Author Validation) and does not explicitly disclose **said database records include information corresponding author user profiles.**

However, **Guo** teaches **access journal database records, wherein said database records include information associated with previously submitted articles and corresponding author user profiles** (See [0015]-[0019], Decision Factor Filtering System is at the early stage. In this stage, author profile and preferences would be collected ... Lots of academic journals are collected in the Internal Journal Database in order to provide rich information and intelligence for the author).

Hence, it would have been obvious to one of ordinary skill in the art at the time of the invention was made to combine Rollins and Guo because **Guo** discloses to create one journal manuscript submission decision support system. It includes three major subsystems which are Decision Factor Filtering System, Manuscript Submission Decision Support System and Decision Model Verification System. Using on-line questionnaire module can collect and filter the critical decision factors. Through the statistics analysis, the weighted decision factors can be stored on the factor weight model database. After combining with periodical database, the manuscript submission decision support system can generate the ranking journal list which assists author(s) to submit their research papers to the suitable academic journal. The decision model verification system will apply Technology Acceptance Model (TAM) to verify the usefulness and easy-to-use of this Journal Manuscript Submission Decision Support System. The decision model can be fine-tuned by verification system in order to become reliable and trusted model. The critical decision factors can be filtered out. Finally, it can reduce authors' time to look for

Art Unit: 2168

suitable journal when they must choose from a large number of periodicals to submit their manuscript (**Guo**, See ABSTRACT) which can be utilized by Rollins to recommend the similar documents to the author who submitted similar article and to increase user satisfaction rate.

**Rollins** in view of **Guo** further teaches:

**create a first fingerprint of a published article in a particular journal from the journal database records** (**Guo**, See [0021], In order to get the article amount of specific subject in journal (323) and Journal Classification (324), the text mining algorithm such as TF-IDF was used. Through TF-IDF analysis, we would learn the hot topic for different journal);

**create a second fingerprint of the author-submitted article** (**Rollins**, See [0042]. **Guo**, See [0015]-[0019] and [0021]. NOTE: Since **Guo** creates hot topic “fingerprint” for journals in the DB, the article submitted by **Rollins** can be created its own fingerprint by **Guo** too);

**compare the first fingerprint with the second fingerprint to determine whether the particular journal has articles with a high similarity to the author-submitted article** (**Rollins**, See [0045], validation results are presented to authors and/or editors and may include references which have high similarity matches. **Guo**, See [0032], Compare Journals and Provide Feasible Solutions); **and**

**recommend the particular journal to the author as a potential journal for submission of the author-submitted article if the particular journal has published**

Art Unit: 2168

**articles which have a high similarity (Rollins, See [0049],** Researchers may keep a personal reference collection 528 of works of their own, of works relied on and referenced in their works, and of works of interest in their particular fields of study).

Claims 5-6 are rejected under pre-AIA 35 U.S.C. 103(a) as being unpatentable over **Rollins** in view of **Guo** as applied to claim 1 above, and further in view of Ciaramitaro et al. (US Pub. No. 2005/0004951 A1), hereinafter "**Ciaramitaro**".

Regarding claim 5, Rollins in view of Guo does not explicitly disclose **the online journal recommendation system of claim 1, wherein one or more of said editorial computers select one or more submitted articles and process the selected articles as a group with shared properties.**

However, **Ciaramitaro** teaches **the online journal recommendation system of claim 1, wherein one or more of said editorial computers select one or more submitted articles and process the selected articles as a group with shared properties (Ciaramitaro, See [0023],** a several related documents may be grouped together as a composite document such that the composite document may be treated as a single grouped document or each as individual documents in the LSA that can be separately or individually reviewed for document decisions).

Hence, it would have been obvious to one of ordinary skill in the art at the time of the invention was made to combine Rollins and Guo and Ciaramitaro because **Ciaramitaro** discloses A system and method for electronically managing privileged and non-privileged documents in two independent schemas. One schema is a privileged schema for storing privileged documents and the other schema is a non-privileged schema for storing non-privileged

Art Unit: 2168

documents. The two schemas are separate and distinct so that privileged and non-privileged documents are not commingled. Access to the privileged schema is restricted to privileged users while non-privileged users have access only to the non-privileged schema. As a result, privileged documents are protected against the inadvertent waiver of privilege (**Ciaramitaro**, See ABSTRACT) can be utilized by Rollins and Guo to process the selected articles as a group with shared properties.

Regarding claim 6, **Rollins** in view of **Guo** and **Ciaramitaro** further teaches **the online journal recommendation system of claim 5, wherein one or more of said editorial computers create a group template for the selected articles** (**Ciaramitaro**, See [0026], A privileged document 202 is a document where the entire contents of the document are privileged. A non-privileged document 204 is a document containing no privileged information, or content. A partially privileged document 206 is a document where portions of the document content are non-privileged and other portions of the document are privileged).

Claims 9-10 are rejected under pre-AIA 35 U.S.C. 103(a) as being unpatentable over **Rollins** in view of **Guo** as applied to claim 1 above, and further in view of De Angelis et al. (US Pub. No. 2011/0072013 A1), hereinafter “**De Angelis**”.

Regarding claim 9, Rollins in view of Guo does not explicitly **the online journal recommendation system of claim 1, wherein said one or more program controlled data**

Art Unit: 2168

**processors are further configured to convert one or more submitted articles to a Common Readable Format.**

However, **De Angelis** teaches **the online journal recommendation system of claim 1, wherein said one or more program controlled data processors are further configured to convert one or more submitted articles to a Common Readable Format (De Angelis, [0016]-[0017] and [0022], HTML file and XML file).**

Hence, it would have been obvious to one of ordinary skill in the art at the time of the invention was made to combine Rollins and Guo and De Angelis because **De Angelis** discloses an authoring tool in accordance with an embodiment of the present invention performs a process that converts a document to a trackable content file. The document can be generated by various kinds of applications, e.g., commercially available WordPerfect, Word, PowerPoint, Excel, Acrobat, etc. According to one embodiment, the trackable content file is stored on a content repository on an online learning network. The trackable content file communicates with a management system, and exchanges data therewith (**De Angelis**, See [0006]) can be utilized by Rollins and Guo to create a training environment.

Regarding claim 10, **Rollins** in view of **Guo** and **De Angelis** further teaches **the online journal recommendation system of claim 9, wherein said Common Readable Format is Hypertext Markup Language or Extensible Markup Language (De Angelis, [0016]-[0017] and [0022], HTML file and XML file).**

Art Unit: 2168

Claims 11 and 13 are rejected under pre-AIA 35 U.S.C. 103(a) as being unpatentable **Rollins** in view of **Guo** as applied to claim 1 above, and further in view of Diamond et al. (US Pub. No. 2006/0282762 A1), hereinafter "**Diamond**".

Regarding claim 11, Rollins in view of Guo does not explicitly disclose **the online journal recommendation system of claim 1, wherein one or more of the editorial computers automatically assigns editors according to rules and settings of the journal recommendation system.**

However, **Diamond** teaches **the online journal recommendation system of claim 1, wherein one or more of the editorial computers automatically assigns editors according to rules and settings of the journal recommendation system** (See [0049], an annotation could include an option enabling a comment to be assigned to a particular individual or individuals for action or response).

Hence, it would have been obvious to one of ordinary skill in the art at the time of the invention was made to combine Rollins and Guo and Diamond because **Diamond** discloses a rule and setting that can pre-define in the document management system to automatically assign individual and when utilized by Rollins and Guo can increase efficient of the system.

Regarding claim 13, **Rollins** in view of **Guo** and **Diamond** further teaches **the online journal recommendation system of claim 1, wherein annotations to the author-submitted article are made in the author-submitted article (Diamond, See [0022], As a reviewer makes comments on a particular section or portion of the document, the comments, also referred to**



Art Unit: 2168

herein as "annotations" are added or inserted directly into the context of the document under review. The annotations can be immediately visible, in context, to all participants of the review).

Claims 12 is rejected under pre-AIA 35 U.S.C. 103(a) as being unpatentable over **Rollins** in view of **Guo** as applied to claim 1 above, and further in view of Vaithilingam et al. (US Pub. No2001/0047357 A1), hereinafter "**Vaithilingam**".

Regarding claim 12, Rollins in view of Guo does not explicitly disclose teaches **the online journal recommendation system of claim 1, wherein one or more of the editorial computers search for reviewers by taking into account the author's preferred reviewers**

However, **Vaithilingam** teaches **the online journal recommendation system of claim 1, wherein one or more of the editorial computers search for reviewers by taking into account the author's preferred reviewers** (See [0030], providing users with a selection of subjective information to choose from in their user-preference based content selection/filtering process. For example, reviewers A and B may review a movie. Based on prior experience, a user may prefer reviewer A over reviewer B for television programs and movie ratings).

Hence, it would have been obvious to one of ordinary skill in the art at the time of the invention was made to combine Rollins and Guo and Vaithilingam because **Vaithilingam** discloses users at a website provide details of their preferences in a certain domain, for example, buying books or music CDs. The users are then recommended certain products based on their preferences and the products purchased by other users with similar preferences (**Vaithilingam**, See [0004]) and when utilized by Rollins and Guo can increase user's satisfaction.

Art Unit: 2168

### *Conclusion*

**Examiner's Note:** Examiner has cited particular columns/paragraph and line numbers in the references applied to the claims above for the convenience of the applicant. Although the specified citations are representative of the teachings of the art and are applied to specific limitations within the individual claim, other passages and figures may apply as well. It is respectfully requested from the applicant in preparing responses, to fully consider the references in entirety as potentially teaching all or part of the claimed invention, as well as the context of the passage as taught by the prior art or disclosed by the Examiner.

In the case of amending the Claimed invention, Applicant is respectfully requested to indicate the portion(s) of the specification which dictate(s) the structure relied on for proper interpretation and also to verify and ascertain the metes and bounds of the claimed invention. This will assist in expediting compact prosecution. MPEP 714.02 recites: "Applicant should also specifically point out the support for any amendments made to the disclosure. See MPEP § 2163.06. An amendment which does not comply with the provisions of 37 CFR 1.121(b), (c), (d), and (h) may be held not fully responsive. See MPEP § 714." **Amendments not pointing to specific support in the disclosure may be deemed as not complying with provisions of 37 C.F.R. 1.131(b), (c), (d), and (h) and therefore held not fully responsive.** Generic statements such as "Applicants believe no new matter has been introduced" may be deemed insufficient.

Art Unit: 2168

### **Contact Information**

Any inquiry concerning this communication or earlier communications from the examiner should be directed to SHIOW-JY FAN whose telephone number is (571)270-7846 and whose email address is shiow-jy.fan@uspto.gov. The examiner can normally be reached on Monday thru Thursday, 7:30am till 5:00pm, alternate Fridays off, EST..

If attempts to reach the examiner by telephone are unsuccessful, the examiner's supervisor, Fred Ehichioya can be reached on (571) 272-4034. The fax phone number for the organization where this application or proceeding is assigned is 571-273-8300.

Information regarding the status of an application may be obtained from the Patent Application Information Retrieval (PAIR) system. Status information for published applications may be obtained from either Private PAIR or Public PAIR. Status information for unpublished applications is available through Private PAIR only. For more information about the PAIR system, see <http://pair-direct.uspto.gov>. Should you have questions on access to the Private PAIR system, contact the Electronic Business Center (EBC) at 866-217-9197 (toll-free). If you would like assistance from a USPTO Customer Service Representative or access to the automated information system, call 800-786-9199 (IN USA OR CANADA) or 571-272-1000.

/SHIOW-JY FAN/  
Primary Examiner, Art Unit 2168  
10/21/2015

<b>Notice of References Cited</b>	Application/Control No. 13/536,700	Applicant(s)/Patent Under Reexamination LOPULALAN, ROBIN JASON	
	Examiner SHIOW-JY FAN	Art Unit 2168	Page 1 of 1

**U.S. PATENT DOCUMENTS**

*		Document Number Country Code-Number-Kind Code	Date MM-YYYY	Name	CPC Classification	US Classification
*	A	US-2004/0034652 A1	02-2004	Hofmann, Thomas	G06F17/30699	1/1
*	B	US-2006/0123348 A1	06-2006	Ross; Brian Dale	G06F17/243	715/751
*	C	US-2007/0118802 A1	05-2007	Gerace; Thomas A.	G06F17/30867	715/738
*	D	US-2008/0320579 A1	12-2008	Rollins; Jason E.	G06F17/24	726/10
*	E	US-2010/0106669 A1	04-2010	Guo; Gen Ming	G09B7/02	706/11
	F	US-				
	G	US-				
	H	US-				
	I	US-				
	J	US-				
	K	US-				
	L	US-				
	M	US-				


**FOREIGN PATENT DOCUMENTS**

*		Document Number Country Code-Number-Kind Code	Date MM-YYYY	Country	Name	CPC Classification
	N					
	O					
	P					
	Q					
	R					
	S					
	T					

**NON-PATENT DOCUMENTS**

*		Include as applicable: Author, Title Date, Publisher, Edition or Volume, Pertinent Pages)
	U	
	V	
	W	
	X	

\*A copy of this reference is not being furnished with this Office action. (See MPEP § 707.05(a).)  
Dates in MM-YYYY format are publication dates. Classifications may be US or foreign.

<b>Search Notes</b>  	<b>Application/Control No.</b>  13536700	<b>Applicant(s)/Patent Under Reexamination</b>  LOPULALAN, ROBIN JASON
	<b>Examiner</b>  SHIOW-JY FAN	<b>Art Unit</b>  2168

CPC- SEARCHED		
Symbol	Date	Examiner
G06F17/30867 OR G06F17/30699 OR G06F17/3089 OR G06F17/30705	11/16/14	sf

CPC COMBINATION SETS - SEARCHED		
Symbol	Date	Examiner

US CLASSIFICATION SEARCHED			
Class	Subclass	Date	Examiner
707	768,E17.008	11/16/14	sf

SEARCH NOTES		
Search Notes	Date	Examiner
Inventor name search	11/16/14	sf
EAST	11/16, 20-21/14	sf
EAST update	10/19-20/15	sf

INTERFERENCE SEARCH			
US Class/ CPC Symbol	US Subclass / CPC Group	Date	Examiner

--	--

## EAST Search History

## EAST Search History (Prior Art)

Ref #	Hits	Search Query	DBs	Default Operator	Plurals	Time Stamp
S1	1	((Robin) near2 (Lopulalan)).INV.	US-PGPUB; USPAT	OR	ON	2014/11/16 12:15
S2	1	("20140006341").PN.	US-PGPUB; USPAT	OR	OFF	2014/11/16 12:17
S3	37045	(document same review\$3)	US-PGPUB; USPAT; USOCR; FPRS; EPO; JPO; DERWENT; IBM_TDB	OR	ON	2014/11/16 12:19
S4	26974	(document same review\$3) and (network)	US-PGPUB; USPAT; USOCR; FPRS; EPO; JPO; DERWENT; IBM_TDB	OR	ON	2014/11/16 12:19
S5	1111	(document same review\$3) and (network) and (journal same (db database))	US-PGPUB; USPAT; USOCR; FPRS; EPO; JPO; DERWENT; IBM_TDB	OR	ON	2014/11/16 12:19
S6	463	(document same review\$3) and (network) and (journal same (db database)) and (user near3 profile)	US-PGPUB; USPAT; USOCR; FPRS; EPO; JPO; DERWENT; IBM_TDB	OR	ON	2014/11/16 12:20
S7	279	(document same review\$3) and (network) and (journal same (db database)) and (user near3 profile) and (training same user)	US-PGPUB; USPAT; USOCR; FPRS; EPO; JPO; DERWENT; IBM_TDB	OR	ON	2014/11/16 12:20
S8	25	(document same review\$3) and (network) and (journal same (db database)) and (user near3 profile) and (training same user) and (common with format) and ((hypertext extensible) with markup with language)	US-PGPUB; USPAT; USOCR; FPRS; EPO; JPO; DERWENT; IBM_TDB	OR	ON	2014/11/16 12:22
S9	85	(document same review\$3) and (network) and (journal same (db database)) and (user near3 profile) and (training same user) and	US-PGPUB; USPAT; USOCR; FPRS;	OR	ON	2014/11/16 12:44

		((hypertext extensible) with markup with language)	EPO; JPO; DERWENT; IBM_TDB			
S10	60	S9 not S8	US-PGPUB; USPAT; USOCR; FPRS; EPO; JPO; DERWENT; IBM_TDB	OR	ON	2014/11/16 12:44
S11	6	(document same review\$3 same peer) and (journal same (db database)) and (user near3 profile) and (training same user) and ((hypertext extensible) with markup with language)	US-PGPUB; USPAT; USOCR; FPRS; EPO; JPO; DERWENT; IBM_TDB	OR	ON	2014/11/16 13:14
S12	0	S11 not S9	US-PGPUB; USPAT; USOCR; FPRS; EPO; JPO; DERWENT; IBM_TDB	OR	ON	2014/11/16 13:14
S13	90	(document same review\$) and (journal same (db database)) and (user near3 profile) and (training same user) and ((hypertext extensible) with markup with language)	US-PGPUB; USPAT; USOCR; FPRS; EPO; JPO; DERWENT; IBM_TDB	OR	ON	2014/11/16 13:15
S14	5	S13 not S9	US-PGPUB; USPAT; USOCR; FPRS; EPO; JPO; DERWENT; IBM_TDB	OR	ON	2014/11/16 13:15
S15	202	(document same review\$3) and (user near3 profile) and (recommend same (journal document))	US-PGPUB; USPAT; USOCR; FPRS; EPO; JPO; DERWENT; IBM_TDB	OR	ON	2014/11/16 13:17
S16	18	(document same review\$3) and (recommend same (journal document)) and (user near3 profile) and (training) and ((hypertext extensible) with markup with language)	US-PGPUB; USPAT; USOCR; FPRS; EPO; JPO; DERWENT; IBM_TDB	OR	ON	2014/11/16 13:18
S17	2377	(707/768,E17.008).CCLS.	US-PGPUB; USPAT	OR	OFF	2014/11/16 14:03
S18	30226	(G06F17/30867 OR G06F17/30699 OR G06F17/3089 OR G06F17/30705).CPC.	US-PGPUB; USPAT; USOCR; FPRS; EPO; JPO; DERWENT; IBM_TDB	OR	ON	2014/11/16 14:05

S19	7	S15 and S17	US-PGPUB; USPAT; USOCR; FPRS; EPO; JPO; DERWENT; IBM_TDB	OR	ON	2014/11/16 14:05
S20	49	S15 and S18	US-PGPUB; USPAT; USOCR; FPRS; EPO; JPO; DERWENT; IBM_TDB	OR	ON	2014/11/16 14:05
S21	0	(document same review\$3) and (user near3 profile) and (recommend same (journal document)) and (preferred same reviewer)	US-PGPUB; USPAT; USOCR; FPRS; EPO; JPO; DERWENT; IBM_TDB	OR	ON	2014/11/16 14:54
S22	1	("20100153440").PN.	US-PGPUB; USPAT	OR	OFF	2014/11/16 15:43
S23	14743	(document with submit\$3)	US-PGPUB; USPAT; USOCR; FPRS; EPO; JPO; DERWENT; IBM_TDB	OR	ON	2014/11/20 10:28
S24	285	(document with submit\$3) same (record with (user author)) same (record with document)	US-PGPUB; USPAT; USOCR; FPRS; EPO; JPO; DERWENT; IBM_TDB	OR	ON	2014/11/20 10:29
S25	18	(document with submit\$3) same (record with (user author)) same (record with document) and ((migrat\$3 export\$3) same (db database))	US-PGPUB; USPAT; USOCR; FPRS; EPO; JPO; DERWENT; IBM_TDB	OR	ON	2014/11/20 10:30
S26	237	(online near3 document near3 management)	US-PGPUB; USPAT; USOCR; FPRS; EPO; JPO; DERWENT; IBM_TDB	OR	ON	2014/11/20 11:07
S27	1	("20040003353").PN.	US-PGPUB; USPAT	OR	OFF	2014/11/20 11:47
S28	1	("20020107921").PN.	US-PGPUB; USPAT	OR	OFF	2014/11/20 11:49
S29	0	(recommnd same journal)	US-PGPUB; USPAT; USOCR; FPRS; EPO; JPO;	OR	ON	2014/11/20 13:45



			DERWENT; IBM_TDB			
S30	3060	(recommend\$3 same journal)	US-PGPUB; USPAT; USOCR; FPRS; EPO; JPO; DERWENT; IBM_TDB	OR	ON	2014/11/20 13:45
S31	4	(recommend\$3 same journal) and ((fingerprint similiarity) same journal)	US-PGPUB; USPAT; USOCR; FPRS; EPO; JPO; DERWENT; IBM_TDB	OR	ON	2014/11/20 13:46
S32	0	("2014/0006341").URPN.	USPAT	OR	ON	2014/11/20 13:48
S33	917	review\$5 and recommend\$3 and (migrat\$3 same database)	US-PGPUB; USPAT; USOCR; FPRS; EPO; JPO; DERWENT; IBM_TDB	OR	ON	2014/11/20 13:49
S34	132	review\$5 and recommend\$3 and (migrat\$3 same database) and editor and training	US-PGPUB; USPAT; USOCR; FPRS; EPO; JPO; DERWENT; IBM_TDB	OR	ON	2014/11/20 13:50
S35	128	review\$5 and recommend\$3 and (migrat\$3 same database) and editor and training and (document journal)	US-PGPUB; USPAT; USOCR; FPRS; EPO; JPO; DERWENT; IBM_TDB	OR	ON	2014/11/20 13:50
S36	0	review\$5 and recommend\$3 and (migrat\$3 same database) and editor and training and (prefer\$3 near3 reviewer)	US-PGPUB; USPAT; USOCR; FPRS; EPO; JPO; DERWENT; IBM_TDB	OR	ON	2014/11/20 14:21
S37	40	(prefer\$3 near3 reviewer)	US-PGPUB; USPAT; USOCR; FPRS; EPO; JPO; DERWENT; IBM_TDB	OR	ON	2014/11/20 14:21
S38	7	(recommend\$3 same (journal document) same (author) same similarity)	US-PGPUB; USPAT; USOCR; FPRS; EPO; JPO; DERWENT; IBM_TDB	OR	ON	2014/11/20 15:59

S39	254149	(receiv\$3 same document)	US-PGPUB; USPAT; USOCR; FPRS; EPO; JPO; DERWENT; IBM_TDB	OR	ON	2014/11/20 16:21
S40	2156	(receiv\$3 same document) and (database same (document jurnal) same (author))	US-PGPUB; USPAT; USOCR; FPRS; EPO; JPO; DERWENT; IBM_TDB	OR	ON	2014/11/20 16:21
S41	1133	(receiv\$3 same document) and ((access\$3 retriev\$3 obtain\$3 get\$3) same database same (document jurnal) same (author))	US-PGPUB; USPAT; USOCR; FPRS; EPO; JPO; DERWENT; IBM_TDB	OR	ON	2014/11/20 16:22
S42	1293	(receiv\$3 same (document jurnal article)) and ((access\$3 retriev\$3 obtain\$3 get\$3) same database same (document jurnal article) same (author))	US-PGPUB; USPAT; USOCR; FPRS; EPO; JPO; DERWENT; IBM_TDB	OR	ON	2014/11/20 16:23
S43	696	(receiv\$3 same (document jurnal article)) and ((access\$3 retriev\$3 obtain\$3 get\$3) same database same (document jurnal article) same (author)) and ((migrat\$3 import\$3 export\$3) same (document jurnal article))	US-PGPUB; USPAT; USOCR; FPRS; EPO; JPO; DERWENT; IBM_TDB	OR	ON	2014/11/20 16:24
S44	393	(receiv\$3 same (document jurnal article)) and ((access\$3 retriev\$3 obtain\$3 get\$3) same database same (document jurnal article) same (author)) and ((migrat\$3 import\$3 export\$3) same (document jurnal article) same database)	US-PGPUB; USPAT; USOCR; FPRS; EPO; JPO; DERWENT; IBM_TDB	OR	ON	2014/11/20 16:24
S45	30282	(G06F17/30867 OR G06F17/30699 OR G06F17/3089 OR G06F17/30705).CPC.	US-PGPUB; USPAT; USOCR; FPRS; EPO; JPO; DERWENT; IBM_TDB	OR	ON	2014/11/20 16:24
S46	22	S44 and S45	US-PGPUB; USPAT; USOCR; FPRS; EPO; JPO; DERWENT; IBM_TDB	OR	ON	2014/11/20 16:24
S48	91	(receiv\$3 same (document jurnal article)) and ((access\$3 retriev\$3 obtain\$3 get\$3) same database same (document jurnal article) same (author)) and ((migrat\$3 import\$3	US-PGPUB; USPAT; USOCR; FPRS; EPO; JPO;	OR	ON	2014/11/20 16:48

		export\$3) same (document journal article) same non same database)	DERWENT; IBM_TDB			
S49	1	("20030014428").PN.	US-PGPUB; USPAT	OR	OFF	2014/11/20 16:56
S50	34	("20030014428"   "20030028525"   "20030164849"   "20040172405"   "20050086078"   "20050154693"   "20060053365"   "20070113169"   "20070118515"   "20070219995"   "20080010294"   "6374290"   "7257767").PN.	US-PGPUB; USPAT; USOCR; FPRS; EPO; JPO; DERWENT; IBM_TDB	OR	ON	2014/11/20 16:59
S51	9	(peer same review same (technical with journal))	US-PGPUB; USPAT; USOCR; FPRS; EPO; JPO; DERWENT; IBM_TDB	OR	ON	2014/11/20 17:30
S52	14876	(document near3 management near3 system)	US-PGPUB; USPAT; USOCR; FPRS; EPO; JPO; DERWENT; IBM_TDB	OR	ON	2014/11/20 17:52
S53	9489	(document adj management adj system)	US-PGPUB; USPAT; USOCR; FPRS; EPO; JPO; DERWENT; IBM_TDB	OR	ON	2014/11/20 17:52
S54	634	(document adj management adj system) and (user adj profile)	US-PGPUB; USPAT; USOCR; FPRS; EPO; JPO; DERWENT; IBM_TDB	OR	ON	2014/11/20 17:54
S55	607	(document adj management adj system) and (user adj profile) and (document same information)	US-PGPUB; USPAT; USOCR; FPRS; EPO; JPO; DERWENT; IBM_TDB	OR	ON	2014/11/20 17:54
S56	301	(document adj management adj system) and (user adj profile) and (document same information) and ((migrat\$5 exchang\$3) same document)	US-PGPUB; USPAT; USOCR; FPRS; EPO; JPO; DERWENT; IBM_TDB	OR	ON	2014/11/20 17:55
S57	105	(document adj management adj system) and (user adj profile) and (document same information) and ((migrat\$5 exchang\$3) same document) and (submit\$3 same document)	US-PGPUB; USPAT; USOCR; FPRS; EPO; JPO; DERWENT; IBM_TDB	OR	ON	2014/11/20 17:56

S58	2	(migrat\$3 with (journal document articele file)) same (non-sister with database)	US-PGPUB; USPAT; USOCR; FPRS; EPO; JPO; DERWENT; IBM_TDB	OR	ON	2014/11/21 11:09
S59	142315	(migrat\$3 exchange\$3 import\$3 export\$3) same (database)	US-PGPUB; USPAT; USOCR; FPRS; EPO; JPO; DERWENT; IBM_TDB	OR	ON	2014/11/21 11:15
S60	69254	(migrat\$3 exchange\$3 import\$3 export\$3) with (database)	US-PGPUB; USPAT; USOCR; FPRS; EPO; JPO; DERWENT; IBM_TDB	OR	ON	2014/11/21 11:15
S61	11654	(migrat\$3 exchange\$3 import\$3 export\$3) with (document journal article file) with (database)	US-PGPUB; USPAT; USOCR; FPRS; EPO; JPO; DERWENT; IBM_TDB	OR	ON	2014/11/21 11:16
S62	31	((migrat\$3 exchange\$3 import\$3 export\$3) with (document journal article file) with (database)) same (un\$1related non\$1sister non\$1brother non\$1sibling)	US-PGPUB; USPAT; USOCR; FPRS; EPO; JPO; DERWENT; IBM_TDB	OR	ON	2014/11/21 11:19
S63	1109	(migrat\$3) with (document journal article file) with (database)	US-PGPUB; USPAT; USOCR; FPRS; EPO; JPO; DERWENT; IBM_TDB	OR	ON	2014/11/21 11:29
S64	320	(migrat\$3) near3 (document journal article file) with (database)	US-PGPUB; USPAT; USOCR; FPRS; EPO; JPO; DERWENT; IBM_TDB	OR	ON	2014/11/21 11:29
S65	163	((migrat\$3) with (document journal article file) with (database)) and (document with manag\$5)	US-PGPUB; USPAT; USOCR; FPRS; EPO; JPO; DERWENT; IBM_TDB	OR	ON	2014/11/21 11:30
S66	189	(recommend\$3 with (document) same (similarity))	US-PGPUB; USPAT; USOCR; FPRS; EPO; JPO;	OR	ON	2014/11/21 14:51

			DERWENT; IBM_TDB			
S67	3	(recommend\$3 with (document) same (similarity) same (fingerprint))	US-PGPUB; USPAT; USOCR; FPRS; EPO; JPO; DERWENT; IBM_TDB	OR	ON	2014/11/21 14:51
S68	0	(preferred near3 reviewer)	US-PGPUB; USPAT; USOCR; FPRS; EPO; JPO; DERWENT; IBM_TDB	OR	ON	2014/11/21 16:40
S69	40	(prefer\$3 near3 reviewer)	US-PGPUB; USPAT; USOCR; FPRS; EPO; JPO; DERWENT; IBM_TDB	OR	ON	2014/11/21 16:41
S70	4	(prefer\$3 near3 reviewer) and (assign\$3 with editor)	US-PGPUB; USPAT; USOCR; FPRS; EPO; JPO; DERWENT; IBM_TDB	OR	ON	2014/11/21 16:42
S71	30708	(document same review)	US-PGPUB; USPAT; USOCR; FPRS; EPO; JPO; DERWENT; IBM_TDB	OR	ON	2014/11/21 16:44
S72	40	(document same review) and (prefer\$3 with reviewer)	US-PGPUB; USPAT; USOCR; FPRS; EPO; JPO; DERWENT; IBM_TDB	OR	ON	2014/11/21 16:44
S73	5	(document same review) and (prefer\$3 with reviewer) and (editor)	US-PGPUB; USPAT; USOCR; FPRS; EPO; JPO; DERWENT; IBM_TDB	OR	ON	2014/11/21 16:45
S74	4	("20060282762"   "20110178981").PN.	US-PGPUB; USPAT; USOCR; FPRS; EPO; JPO; DERWENT; IBM_TDB	OR	ON	2014/11/21 16:47
S75	2	(author with prefer\$3 with reviewer)	US-PGPUB; USPAT; USOCR;	OR	ON	2014/11/21 17:00

			FPRS; EPO; JPO; DERWENT; IBM_TDB			
S76	0	(preferred adj reviewer)	US-PGPUB; USPAT; USOCR; FPRS; EPO; JPO; DERWENT; IBM_TDB	OR	ON	2014/11/21 17:01
S77	0	(preferred adj reviewers)	US-PGPUB; USPAT; USOCR; FPRS; EPO; JPO; DERWENT; IBM_TDB	OR	ON	2014/11/21 17:02
S78	0	(preferred adj3 reviewer)	US-PGPUB; USPAT; USOCR; FPRS; EPO; JPO; DERWENT; IBM_TDB	OR	ON	2014/11/21 17:03
S79	0	("preferred" adj3 reviewer)	US-PGPUB; USPAT; USOCR; FPRS; EPO; JPO; DERWENT; IBM_TDB	OR	ON	2014/11/21 17:03
S80	68	(prefer\$3 with reviewer)	US-PGPUB; USPAT; USOCR; FPRS; EPO; JPO; DERWENT; IBM_TDB	OR	ON	2014/11/21 17:03
S81	9611	waterfall	US-PGPUB; USPAT; FPRS; EPO; JPO; DERWENT; IBM_TDB	OR	ON	2015/03/06 14:34
S82	132	waterfall same article	US-PGPUB; USPAT; FPRS; EPO; JPO; DERWENT; IBM_TDB	OR	ON	2015/03/06 14:35
S83	2	("20080134176").PN.	US-PGPUB; USPAT; FPRS; EPO; JPO; DERWENT; IBM_TDB	OR	OFF	2015/03/19 16:50
S85	25993	(journal newspaper magazine) same (recommend\$7 advocat\$7 endors\$7 commend\$7 suggest\$7)	US-PGPUB; USPAT; FPRS; EPO; JPO;	OR	ON	2015/10/19 14:25

			DERWENT; IBM_TDB			
S86	9020	(journal newspaper magazine) with (recommend\$7 advocat\$7 endors\$7 commend\$7 suggest\$7)	US-PGPUB; USPAT; FPRS; EPO; JPO; DERWENT; IBM_TDB	OR	ON	2015/10/19 14:27
S87	38408	(G06F17/30867 OR G06F17/30699 OR G06F17/3089 OR G06F17/30705).CPC.	US-PGPUB; USPAT; USOCR; FPRS; EPO; JPO; DERWENT; IBM_TDB	OR	ON	2015/10/19 14:27
S88	198	S86 and S87	US-PGPUB; USPAT; USOCR; FPRS; EPO; JPO; DERWENT; IBM_TDB	OR	ON	2015/10/19 14:27
S89	1	((journal newspaper magazine) with (recommend\$7 advocat\$7 endors\$7 commend\$7 suggest\$7)) same author with submitted with (article journal))	US-PGPUB; USPAT; FPRS; EPO; JPO; DERWENT; IBM_TDB	OR	ON	2015/10/19 14:50
S90	9	((journal newspaper magazine) with (recommend\$7 advocat\$7 endors\$7 commend\$7 suggest\$7)) and (author with submitted with (article journal))	US-PGPUB; USPAT; FPRS; EPO; JPO; DERWENT; IBM_TDB	OR	ON	2015/10/19 15:09
S91	51	("4989610"   "5042771"   "5164751"   "5269014"   "5307262"   "5359509"   "5432657"   "5446842"   "5659766"   "5706452"   "5819032"   "5862223"   "5873107"   "5890177"   "6070177"   "6088702"   "6122643"   "6151609"   "6167368"   "6212517"   "6223165").PN. OR ("7007232").URPN.	US-PGPUB; USPAT; USOCR	OR	ON	2015/10/19 15:12
S92	241	((journal newspaper magazine) with (recommend\$7 advocat\$7 endors\$7 commend\$7 suggest\$7)) and (author with (article journal))	US-PGPUB; USPAT; FPRS; EPO; JPO; DERWENT; IBM_TDB	OR	ON	2015/10/19 17:48
S93	430	((journal newspaper magazine) with (recommend\$7 advocat\$7 endors\$7 commend\$7 suggest\$7)) and (author same (article journal))	US-PGPUB; USPAT; FPRS; EPO; JPO; DERWENT; IBM_TDB	OR	ON	2015/10/19 17:48
S94	2	((journal newspaper magazine) with (recommend\$7 advocat\$7 endors\$7 commend\$7 suggest\$7)) same (similar\$3 fingerprint\$3)) and (author same (article journal))	US-PGPUB; USPAT; FPRS; EPO; JPO; DERWENT; IBM_TDB	OR	ON	2015/10/19 17:50


S95	3	"52666413".FMI D.	US-PGPUB; USPAT; FPRS	OR	ON	2015/10/19 17:52
S96	2	("20150234890").PN.	US-PGPUB; USPAT; FPRS; EPO; JPO; DERWENT; IBM_TDB	OR	OFF	2015/10/20 08:52
S97	2	("20140289212").PN.	US-PGPUB; USPAT; FPRS; EPO; JPO; DERWENT; IBM_TDB	OR	OFF	2015/10/20 08:55
S98	2	("20080320579").PN.	US-PGPUB; USPAT; FPRS; EPO; JPO; DERWENT; IBM_TDB	OR	OFF	2015/10/20 09:57
S99	14	("8201085").PN.	US-PGPUB; USPAT; FPRS; EPO; JPO; DERWENT; IBM_TDB	OR	OFF	2015/10/20 10:01
S100	9	("20030001873"   "20060010145"   "20060218492"   "20060248123"   "20070172062"   "5802493"   "6490603"   "7136178"   "7904806").PN. OR ("8201085").URPN.	US-PGPUB; USPAT; USOCR	OR	ON	2015/10/20 10:02
S101	3	("20060123348").PN.	US-PGPUB; USPAT; FPRS; EPO; JPO; DERWENT; IBM_TDB	OR	OFF	2015/10/20 10:09
S102	3	("20040034652").PN.	US-PGPUB; USPAT; FPRS; EPO; JPO; DERWENT; IBM_TDB	OR	OFF	2015/10/20 10:14
S103	2	("20070136272").PN.	US-PGPUB; USPAT; FPRS; EPO; JPO; DERWENT; IBM_TDB	OR	OFF	2015/10/20 10:20
S104	2	("20140337383").PN.	US-PGPUB; USPAT; FPRS; EPO; JPO; DERWENT; IBM_TDB	OR	OFF	2015/10/20 11:28
S105	565	(author same submit\$3 same (article journal))	US-PGPUB; USPAT; FPRS;	OR	ON	2015/10/20 13:40



			EPO; JPO; DERWENT; IBM_TDB			
S106	160	(author same submit\$3 same (article journal)) and (author same profile)	US-PGPUB; USPAT; FPRS; EPO; JPO; DERWENT; IBM_TDB	OR	ON	2015/10/20 13:40
S107	9	(author same submit\$3 same (article journal)) and (author same profile) and (recommend\$3 same (article journal))	US-PGPUB; USPAT; FPRS; EPO; JPO; DERWENT; IBM_TDB	OR	ON	2015/10/20 13:41
S108	2	("20110184893").PN.	US-PGPUB; USPAT; FPRS; EPO; JPO; DERWENT; IBM_TDB	OR	OFF	2015/10/20 14:35
S109	3	("20060031245").PN.	US-PGPUB; USPAT; FPRS; EPO; JPO; DERWENT; IBM_TDB	OR	OFF	2015/10/21 09:04
S110	4	("20040172357"   "7996392").PN.	US-PGPUB; USPAT; FPRS; EPO; JPO; DERWENT; IBM_TDB	OR	ON	2015/10/21 09:06

10/21/2015 12:00:37 PM

C:\Users\sfan\Documents\EAST\Workspaces\13536700.wsp

<b>Index of Claims</b>  	<b>Application/Control No.</b> 13536700	<b>Applicant(s)/Patent Under Reexamination</b> LOPULALAN, ROBIN JASON
	<b>Examiner</b> SHIOW-JY FAN	<b>Art Unit</b> 2168

✓	<b>Rejected</b>
=	<b>Allowed</b>

-	<b>Cancelled</b>
÷	<b>Restricted</b>

N	<b>Non-Elected</b>
I	<b>Interference</b>

A	<b>Appeal</b>
O	<b>Objected</b>

Claims renumbered in the same order as presented by applicant
  CPA
  T.D.
  R.1.47

CLAIM		DATE							
Final	Original	11/21/2014	03/19/2015	10/21/2015					
	1	✓	✓	✓					
	2	✓	-	-					
	3	✓	-	-					
	4	✓	-	-					
	5	✓	✓	✓					
	6	✓	✓	✓					
	7	✓	-	-					
	8	✓	-	-					
	9	✓	✓	✓					
	10	✓	✓	✓					
	11	✓	✓	✓					
	12	✓	✓	✓					
	13	✓	✓	✓					
	14	✓	-	-					
	15	✓	-	-					
	16	✓	-	-					
	17	✓	-	-					
	18	✓	-	-					
	19	✓	-	-					
	20	✓	-	-					
	21		N	N					
	22		N	N					
	23		N	N					
	24		N	N					
	25		N	N					
	26		N	N					
	27		N	N					
	28		N	N					
	29		N	N					
	30		N	N					
	31		N	N					
	32		N	N					

Under the Paperwork Reduction Act of 1995, no persons are required to respond to a collection of information unless it contains a valid OMB control number.

### REQUEST FOR CONTINUED EXAMINATION(RCE)TRANSMITTAL (Submitted Only via EFS-Web)

Application Number	13536700	Filing Date	2012-06-28	Docket Number (if applicable)	77434-40 / ELV0017PA	Art Unit	2168
First Named Inventor	Robin Jason Lopulalan			Examiner Name	Shiow-Jy Fan		

**This is a Request for Continued Examination (RCE) under 37 CFR 1.114 of the above-identified application.**  
Request for Continued Examination (RCE) practice under 37 CFR 1.114 does not apply to any utility or plant application filed prior to June 8, 1995, or to any design application. The Instruction Sheet for this form is located at WWW.USPTO.GOV

#### SUBMISSION REQUIRED UNDER 37 CFR 1.114

Note: If the RCE is proper, any previously filed unentered amendments and amendments enclosed with the RCE will be entered in the order in which they were filed unless applicant instructs otherwise. If applicant does not wish to have any previously filed unentered amendment(s) entered, applicant must request non-entry of such amendment(s).

Previously submitted. If a final Office action is outstanding, any amendments filed after the final Office action may be considered as a submission even if this box is not checked.

Consider the arguments in the Appeal Brief or Reply Brief previously filed on \_\_\_\_\_

Other \_\_\_\_\_

Enclosed

Amendment/Reply

Information Disclosure Statement (IDS)

Affidavit(s)/ Declaration(s)

Other \_\_\_\_\_

#### MISCELLANEOUS

Suspension of action on the above-identified application is requested under 37 CFR 1.103(c) for a period of months \_\_\_\_\_  
(Period of suspension shall not exceed 3 months; Fee under 37 CFR 1.17(i) required)

Other \_\_\_\_\_

#### FEES

**The RCE fee under 37 CFR 1.17(e) is required by 37 CFR 1.114 when the RCE is filed.**

The Director is hereby authorized to charge any underpayment of fees, or credit any overpayments, to  
Deposit Account No 041133

#### SIGNATURE OF APPLICANT, ATTORNEY, OR AGENT REQUIRED

Patent Practitioner Signature

Applicant Signature

Signature of Registered U.S. Patent Practitioner			
Signature	/Anthony L. Pisano/	Date (YYYY-MM-DD)	2015-06-22
Name	Anthony L. Pisano	Registration Number	65098

This collection of information is required by 37 CFR 1.114. The information is required to obtain or retain a benefit by the public which is to file (and by the USPTO to process) an application. Confidentiality is governed by 35 U.S.C. 122 and 37 CFR 1.11 and 1.14. This collection is estimated to take 12 minutes to complete, including gathering, preparing, and submitting the completed application form to the USPTO. Time will vary depending upon the individual case. Any comments on the amount of time you require to complete this form and/or suggestions for reducing this burden, should be sent to the Chief Information Officer, U.S. Patent and Trademark Office, U.S. Department of Commerce, P.O. Box 1450, Alexandria, VA 22313-1450.

*If you need assistance in completing the form, call 1-800-PTO-9199 and select option 2.*

## Privacy Act Statement

The Privacy Act of 1974 (P.L. 93-579) requires that you be given certain information in connection with your submission of the attached form related to a patent application or patent. Accordingly, pursuant to the requirements of the Act, please be advised that: (1) the general authority for the collection of this information is 35 U.S.C. 2(b)(2); (2) furnishing of the information solicited is voluntary; and (3) the principal purpose for which the information is used by the U.S. Patent and Trademark Office is to process and/or examine your submission related to a patent application or patent. If you do not furnish the requested information, the U.S. Patent and Trademark Office may not be able to process and/or examine your submission, which may result in termination of proceedings or abandonment of the application or expiration of the patent.

The information provided by you in this form will be subject to the following routine uses:

1. The information on this form will be treated confidentially to the extent allowed under the Freedom of Information Act (5 U.S.C. 552) and the Privacy Act (5 U.S.C. 552a). Records from this system of records may be disclosed to the Department of Justice to determine whether the Freedom of Information Act requires disclosure of these records.
2. A record from this system of records may be disclosed, as a routine use, in the course of presenting evidence to a court, magistrate, or administrative tribunal, including disclosures to opposing counsel in the course of settlement negotiations.
3. A record in this system of records may be disclosed, as a routine use, to a Member of Congress submitting a request involving an individual, to whom the record pertains, when the individual has requested assistance from the Member with respect to the subject matter of the record.
4. A record in this system of records may be disclosed, as a routine use, to a contractor of the Agency having need for the information in order to perform a contract. Recipients of information shall be required to comply with the requirements of the Privacy Act of 1974, as amended, pursuant to 5 U.S.C. 552a(m).
5. A record related to an International Application filed under the Patent Cooperation Treaty in this system of records may be disclosed, as a routine use, to the International Bureau of the World Intellectual Property Organization, pursuant to the Patent Cooperation Treaty.
6. A record in this system of records may be disclosed, as a routine use, to another federal agency for purposes of National Security review (35 U.S.C. 181) and for review pursuant to the Atomic Energy Act (42 U.S.C. 218(c)).
7. A record from this system of records may be disclosed, as a routine use, to the Administrator, General Services, or his/her designee, during an inspection of records conducted by GSA as part of that agency's responsibility to recommend improvements in records management practices and programs, under authority of 44 U.S.C. 2904 and 2906. Such disclosure shall be made in accordance with the GSA regulations governing inspection of records for this purpose, and any other relevant (i.e., GSA or Commerce) directive. Such disclosure shall not be used to make determinations about individuals.
8. A record from this system of records may be disclosed, as a routine use, to the public after either publication of the application pursuant to 35 U.S.C. 122(b) or issuance of a patent pursuant to 35 U.S.C. 151. Further, a record may be disclosed, subject to the limitations of 37 CFR 1.14, as a routine use, to the public if the record was filed in an application which became abandoned or in which the proceedings were terminated and which application is referenced by either a published application, an application open to public inspections or an issued patent.
9. A record from this system of records may be disclosed, as a routine use, to a Federal, State, or local law enforcement agency, if the USPTO becomes aware of a violation or potential violation of law or regulation.

Docket No. 77434-40 / ELV0017PA

PATENT

**CERTIFICATE OF EFS ELECTRONIC TRANSMISSION**

I hereby certify that this paper is being transmitted to the United States Patent Office by the USPTO EFS web electronic filing system on June 22, 2015.

/Anthony L. Pisano/

Anthony L. Pisano

---

**IN THE UNITED STATES PATENT & TRADEMARK OFFICE**

Application of:

Applicant : Robin Jason Lopulalan  
Serial No. : 13/536,700  
Filed : June 28, 2012  
Title : Online Peer Review System and Method  
Docket : 77434-40 / ELV0017PA  
Examiner : Shiow-Jy Fan  
Art Unit : 2168

Commissioner for Patents  
P.O. Box 1450  
Alexandria, VA 22313-1450

**AMENDMENT**

This Amendment, together with the concurrently filed Request for Continued Examination, constitutes a complete and timely response to the Final Office Action mailed on March 20, 2015 and the Advisory Action mailed on May 22, 2015 in the above-identified application. The following remarks are respectfully submitted.

**Amendments to the Claims** begin on page 2.

**Remarks** begin on page 7.

## AMENDMENTS TO THE CLAIMS

This listing of claims will replace all prior versions, and listings, of claims in the application:

### Listing of Claims:

1. (Currently amended) An online ~~document management~~ journal recommendation system, comprising:

one or more editorial computers connected to a multi-node network, said editorial computers comprising one or more program controlled data processors configured to:

~~receive document submissions~~ an author-submitted article for publication via said multi-node network;

access journal database records, wherein said database records include information associated with previously submitted articles and corresponding author user profiles;

~~migrate one or more documents between non-sister journal databases;~~

create a first fingerprint of a published article in a particular journal from the journal database records;

create a second fingerprint of ~~[[an]]~~ the author-submitted article ~~submitted by an author;~~

~~comparing~~ compare the first fingerprint with the second fingerprint to determine whether the particular journal has articles with a high similarity to the author-submitted article; and

recommend the particular journal to the author as a potential journal for submission of the author-submitted article if the particular journal has published articles which have a high similarity.

2.-4. (Canceled)

5. (Currently amended) The ~~document management~~ journal recommendation system of claim 1, wherein one or more of said editorial computers select one or more submitted ~~documents~~ articles and process the selected ~~documents~~ articles as a group with shared properties.

6. (Currently amended) The online ~~document management~~ journal recommendation system of claim 5, wherein one or more of said editorial computers create a group template for the selected ~~documents~~ articles.

7.-8. (Canceled)

9. (Currently amended) The online ~~document management~~ journal recommendation system of claim 1, wherein said one or more program controlled data processor is processors are further configured to convert one or more submitted ~~documents~~ articles to a Common Readable Format.

10. (Currently amended) The online ~~document management~~ journal recommendation system of claim 9, wherein said Common Readable Format is Hypertext Markup Language or Extensible Markup Language.

11. (Currently amended) The online ~~document management~~ journal recommendation system of claim 1, wherein one or more of the editorial computers automatically assigns editors according to rules and settings of the ~~management~~ journal recommendation system.

12. (Currently amended) The online ~~document management~~ journal recommendation system of claim 1, wherein one or more of the editorial computers search for reviewers by taking into account the author's preferred reviewers.

13. (Currently amended) The online ~~document management~~ journal recommendation system of claim 1, wherein annotations to ~~one or more submitted documents~~ the author-submitted article are made in the ~~documents being displayed~~ author-submitted article.

14.-20. (Canceled)

21. (Withdrawn) A system for managing documents, the system comprising:  
a processing device; and  
a non-transitory, processor-readable storage medium in communication with the processing device, wherein the non-transitory, processor-readable storage medium comprises one or more programming instructions that, when executed, cause the processing device to:  
receive a first input comprising a request to initiate a waterfall process for a rejected article,  
provide a first notification of the input to a receiving journal device,  
receive a confirmation to proceed from the receiving journal device,  
transform the rejected article into a waterfalled article,



transmit data comprising a submission to the receiving journal device,  
wherein the submission comprises the waterfalled article and metadata, and  
receive a transmission from the receiving journal device, wherein the  
transmission comprises an acceptance or a rejection of the submission.

22. (Withdrawn) The system of claim 21, wherein the non-transitory, processor-readable storage medium further comprises one or more programming instructions that, when executed, cause the processing device to:

receive a second input from an author of the rejected article, wherein the second input comprises a confirmation of the request to initiate the waterfall process for the rejected article, and

transmit a second notification to the author, wherein the second notification comprises an indication that the rejected article will be waterfalled.

23. (Withdrawn) The system of claim 21, wherein the non-transitory, processor-readable storage medium further comprises one or more programming instructions that, when executed, cause the processing device to, if the transmission comprises a rejection of the submission:

transmit a second notification to the author, wherein the second notification comprises the rejection and an option to continue the waterfall process with a second receiving journal, and

if the author transmits an affirmation of the option to continue the waterfall process with a second receiving journal:

transmit one or more journal recommendations to the author, and

receive a transmission comprising a selection of the second receiving journal from the author.

24. (Withdrawn) The system of claim 22, wherein the one or more journal recommendations comprise one or more potential receiving journals that contain articles with a high similarity with the waterfalled article.

25. (Withdrawn) The system of claim 21, wherein the non-transitory, processor-readable storage medium further comprises one or more programming instructions that, if executed, cause the processing device to, if the transmission comprises an acceptance of the submission:

assign a submission ID to the waterfalled article,

determine whether the receiving journal device requires additional information, and  
if the receiving journal device requires additional information, query the author to obtain  
the additional information.

26. (Withdrawn) The system of claim 21, wherein the non-transitory, processor-readable  
storage medium further comprises one or more programming instructions that, if executed, cause  
the processing device to, if a request is received for additional information from the receiving  
journal device:

query the author for the additional information, and  
if the author responds to the query with the additional information, assign a system ID  
and a file ID to the additional information, generate a common readable format (CRF) file, and  
transmit the system ID.

27. (Withdrawn) A method for managing documents, the method comprising:  
receiving, by a processing device, a first input comprising a request to initiate a waterfall  
process for a rejected article,  
providing, by the processing device, a first notification of the input to a receiving journal  
device,  
receiving, by the processing device, a confirmation to proceed from the receiving journal  
device,  
transforming, by the processing device, the rejected article into a waterfalled article,  
transmitting, by the processing device, data comprising a submission to the receiving  
journal device, wherein the submission comprises the waterfalled article and metadata, and  
receiving, by the processing device, a transmission from the receiving journal device,  
wherein the transmission comprises an acceptance or a rejection of the submission.

28. (Withdrawn) The method of claim 27, further comprising:  
receiving, by the processing device, a second input from an author of the rejected article,  
wherein the second input comprises a confirmation of the request to initiate the waterfall process  
for the rejected article, and  
transmitting, by the processing device, a second notification to the author, wherein the  
second notification comprises an indication that the rejected article will be waterfalled.

29. (Withdrawn) The method of claim 27, further comprising, if the transmission comprises a rejection of the submission:

transmitting, by the processing device, a second notification to the author, wherein the second notification comprises the rejection and an option to continue the waterfall process with a second receiving journal, and

if the author transmits an affirmation of the option to continue the waterfall process with a second receiving journal:

transmitting, by the processing device, one or more journal recommendations to the author, and

receiving, by the processing device, a transmission comprising a selection of the second receiving journal from the author.

30. (Withdrawn) The method of claim 29, wherein the one or more journal recommendations comprise one or more potential receiving journals that contain articles with a high similarity with the waterfalled article.

31. (Withdrawn) The method of claim 27, further comprising, if the transmission comprises an acceptance of the submission:

assigning, by the processing device, a submission ID to the waterfalled article, determining, by the processing device, whether the receiving journal device requires additional information, and

if the receiving journal device requires additional information, querying, by the processing device, the author to obtain the additional information.

32. (Withdrawn) The method of claim 27, further comprising, if a request is received for additional information from the receiving journal device:

querying, by the processing device, the author for the additional information, and if the author responds to the query with the additional information, assigning, by the processing device, a system ID and a file ID to the additional information, generate a common readable format (CRF) file, and transmit the system ID.

## **REMARKS**

Applicant would like to thank the Examiner for the substantive review provided in this application. In the Final Office Action, the Office withdrew claims 21-32 and rejected the remaining pending claims. More particularly:

- Claims 21-32 are withdrawn from consideration as being directed to a non-elected invention.
- Claims 1, 5-6, 14, and 18 are rejected under pre-AIA 35 U.S.C. §103(a) as being unpatentable over U.S. Patent Application Publication No. 2005/0004951 to Ciaramitaro et al. (“Ciaramitaro”) in view of U.S. Patent Application Publication No. 2011/0072013 to Mosoi et al. (“Mosoi”).
- Claims 9-10 are rejected under pre-AIA 35 U.S.C. §103(a) as being unpatentable over Ciaramitaro in view of Mosoi and U.S. Patent Application Publication No. 2011/0072013 to De Angelis et al. (“De Angelis”).
- Claims 11 and 13 are rejected under pre-AIA 35 U.S.C. §103(a) as being unpatentable over Ciaramitaro in view of Mosoi and U.S. Patent Application Publication No. 2006/0282762 to Diamond et al. (“Diamond”).
- Claim 12 is rejected under pre-AIA 35 U.S.C. §103(a) as being unpatentable over Ciaramitaro in view of Mosoi and U.S. Patent Application Publication No. 2001/0047357 to Vaithilingam et al. (“Vaithilingam”).

Claim 1 has been amended to clarify that the system is a journal recommendation system, that a user-submitted article for publication is received, that the first fingerprint is compared with the second fingerprint to determine whether a particular journal has articles with high similarity to the author-submitted article, and that the recommending step is for submission of the author-submitted article to a potential journal. Claims 5-6 and 9-13 have been amended to correspond to claim 1. Support for these amendments may be found in the specification, figures, and claims as originally filed, particularly at paragraphs [0039] and [0053]-[0055]. Claims 21-32 remain withdrawn. It is believed that no new matter has been entered through these amendments and entry is respectfully requested.

### **Rejections under 35 U.S.C. § 103(a)**

Claim 1 is nonobvious over Ciaramitaro in view of Mosoi because Ciaramitaro and Mosoi, whether considered alone or in any combination, fail to teach or reasonably suggest each and every recitation of claim 1. More particularly, Ciaramitaro and Mosoi fail to teach or reasonably suggest the following:

- receive an author-submitted article for publication via said multi-node network;

- compare the first fingerprint with the second fingerprint to determine whether the particular journal has articles with a high similarity to the author-submitted article; and
- recommend the particular journal to the author as a potential journal for submission of the author-submitted article if the particular journal has published articles which have a high similarity.

Ciaramitaro discloses a system and method for electronically managing privileged and non-privileged documents in two independent schema for litigation support. *See* Ciaramitaro at Abstract and [0002]. The system includes a litigation support application that supports the collection, storage, retrieval, and review of discovery information for litigation, regulatory, or other matters where discovery information needs to be assembled. *See id.* at [0018].

Mosoi discloses a system and method for recommending content to a user. *See* Mosoi at Abstract. Mosoi further discloses determining, for a particular user, a user profile that is based on one or more fingerprints of documents viewed by the user. *See id.* at [0016]. Relevant documents are determined based on the user profile (i.e., the user's viewing history) and the documents are then provided to the user. *See id.* That is, the system monitors a user's document viewing habits and determines unviewed documents that would be of particular interest to the user based on the user's viewing history.

The Office admits that Ciaramitaro does not disclose comparing a first fingerprint with a second fingerprint to determine whether a particular journal has articles with a high similarity, as recited in claim 1. *See* Final Office Action at 8. Moreover, the Office admits that Ciaramitaro does not disclose recommending the particular journal to the author if the particular journal has published articles which have a high similarity. *See id.* Applicant agrees and does not contest the Office's admission.

However, Mosoi fails to remedy the deficiencies of Ciaramitaro. First and foremost, Mosoi is directed to ***providing recommended documents to a user*** that might be of particular interest to the user. *See* Mosoi at [0003]. That is, Mosoi is not directed to a ***journal recommendation system***, particularly one that recommends a journal to an author as a potential journal for submission of the author's article, as recited in claim 1. Even more, Mosoi is directed towards a user that views documents, whereas claim 1 is directed to a user that is providing an article for submission to a journal. Thus, the users disclosed in Mosoi are different from the author recited in claim 1.

In addition, Mosoi fails to teach or reasonably suggest comparing a first fingerprint corresponding to an article published in a particular journal with a second fingerprint of the user-submitted article to determine whether the particular journal has articles with a high similarity to the author-submitted article, as recited in claim 1. While Mosoi uses the word “fingerprints,” such fingerprints are not the same as the fingerprints disclosed in claim 1. Rather, the fingerprints disclosed by Mosoi relate solely to a user’s document viewing history. *See id.* at [0016] and [0069]. That is, the fingerprints in Mosoi are based on documents a user has viewed, not documents a user has ***created and submitted for publication***.

Furthermore, Mosoi fails to teach or reasonably suggest recommending the particular journal to the author as a potential journal for submission of the author-submitted article, as recited in claim 1. Rather, Mosoi merely discloses compiling a list of documents that were determined to be similar based on the user’s browsing history and providing that list to a browser for the user to view. *See id.* at [0070]. Such a list would only allow a user to view documents that were determined to potentially be of interest, but ***would not recommend a journal to which a user could submit his/her article***, as recited in claim 1.

Therefore, for at least the reasons set forth herein, claim 1 is nonobvious over Ciaramitaro in view of Mosoi. Because claims 5-6 and 9-13 depend from and incorporate all of the recitations of claim 1, claims 5-6 and 9-13 are likewise nonobvious over Ciaramitaro in view of Mosoi. *See* MPEP §2143.03 (stating that if an independent claim is nonobvious under 35 U.S.C. §103, then any claim depending therefrom is nonobvious). Accordingly, Applicant respectfully requests that the rejections associated with claims 1, 5-6, and 9-13 be withdrawn.

**Conclusion**

In view of the above remarks, Applicant respectfully submits that the application is now in condition for allowance. The Examiner is encouraged to contact the undersigned to resolve efficiently any formal matters or to discuss any aspects of the application or of this response. Otherwise, early notification of allowable subject matter is respectfully requested.

No additional fees are believed to be due. However, the Director is hereby authorized to charge all required fees (including any extension of time fees) and to credit any overpayment of fees in this and any concurrent or future correspondence to Deposit Account No. 041133.

Respectfully submitted,

/ Anthony L. Pisano /  
**Anthony L. Pisano**  
**Registration No. 65,098**  
Attorney for Assignee  
DINSMORE & SHOHL LLP  
One Oxford Centre  
301 Grant Street, Suite 2800  
Pittsburgh, PA 15219  
(513) 977-8438

## Electronic Patent Application Fee Transmittal

<b>Application Number:</b>	13536700			
<b>Filing Date:</b>	28-Jun-2012			
<b>Title of Invention:</b>	Online Peer Review System and Method			
<b>First Named Inventor/Applicant Name:</b>	Robin Jason Lopulalan			
<b>Filer:</b>	Anthony Laurence Pisano/chris loeckel			
<b>Attorney Docket Number:</b>	77434-40 / ELV0017PA			
Filed as Large Entity				
<b>Filing Fees for Utility under 35 USC 111(a)</b>				
<b>Description</b>	<b>Fee Code</b>	<b>Quantity</b>	<b>Amount</b>	<b>Sub-Total in USD(\$)</b>
<b>Basic Filing:</b>				
<b>Pages:</b>				
<b>Claims:</b>				
<b>Miscellaneous-Filing:</b>				
<b>Petition:</b>				
<b>Patent-Appeals-and-Interference:</b>				
<b>Post-Allowance-and-Post-Issuance:</b>				
<b>Extension-of-Time:</b>				



Description	Fee Code	Quantity	Amount	Sub-Total in USD(\$)
<b>Miscellaneous:</b>				
Request for Continued Examination	1801	1	1200	1200
<b>Total in USD (\$)</b>				<b>1200</b>

## Electronic Acknowledgement Receipt

<b>EFS ID:</b>	22695955
<b>Application Number:</b>	13536700
<b>International Application Number:</b>	
<b>Confirmation Number:</b>	4371
<b>Title of Invention:</b>	Online Peer Review System and Method
<b>First Named Inventor/Applicant Name:</b>	Robin Jason Lopulalan
<b>Customer Number:</b>	24256
<b>Filer:</b>	Anthony Laurence Pisano/chris loeckel
<b>Filer Authorized By:</b>	Anthony Laurence Pisano
<b>Attorney Docket Number:</b>	77434-40 / ELV0017PA
<b>Receipt Date:</b>	22-JUN-2015
<b>Filing Date:</b>	28-JUN-2012
<b>Time Stamp:</b>	15:32:00
<b>Application Type:</b>	Utility under 35 USC 111(a)

### Payment information:

Submitted with Payment	yes
Payment Type	Credit Card
Payment was successfully received in RAM	\$1200
RAM confirmation Number	1884
Deposit Account	041133
Authorized User	PISANO, ANTHONY

The Director of the USPTO is hereby authorized to charge indicated fees and credit any overpayment as follows:

Charge any Additional Fees required under 37 C.F.R. Section 1.16 (National application filing, search, and examination fees)

Charge any Additional Fees required under 37 C.F.R. Section 1.17 (Patent application and reexamination processing fees)

Charge any Additional Fees required under 37 C.F.R. Section 1.19 (Document supply fees)

Charge any Additional Fees required under 37 C.F.R. Section 1.20 (Post Issuance fees)

Charge any Additional Fees required under 37 C.F.R. Section 1.21 (Miscellaneous fees and charges)

**File Listing:**

Document Number	Document Description	File Name	File Size(Bytes)/ Message Digest	Multi Part /.zip	Pages (if appl.)
1	Request for Continued Examination (RCE)	RCE.pdf	697440	no	3
			d30db9ebf0670d41b8ae479a7efd7e46a257c9e1		

**Warnings:**

**Information:**

2		Response-w-RCE.pdf	43361	yes	10
			d34e43d6f016c0bc777423e31a8c7ee662ea22bf		

**Multipart Description/PDF files in .zip description**

Document Description	Start	End
Response After Final Action	1	1
Claims	2	6
Applicant Arguments/Remarks Made in an Amendment	7	10

**Warnings:**

**Information:**

3	Fee Worksheet (SB06)	fee-info.pdf	30481	no	2
			d7396ca50657b0699c82e6b873ee37a61cfad425		

**Warnings:**

**Information:**

<b>Total Files Size (in bytes):</b>			771282		
-------------------------------------	--	--	--------	--	--

**This Acknowledgement Receipt evidences receipt on the noted date by the USPTO of the indicated documents, characterized by the applicant, and including page counts, where applicable. It serves as evidence of receipt similar to a Post Card, as described in MPEP 503.**

**New Applications Under 35 U.S.C. 111**

**If a new application is being filed and the application includes the necessary components for a filing date (see 37 CFR 1.53(b)-(d) and MPEP 506), a Filing Receipt (37 CFR 1.54) will be issued in due course and the date shown on this Acknowledgement Receipt will establish the filing date of the application.**

**National Stage of an International Application under 35 U.S.C. 371**

**If a timely submission to enter the national stage of an international application is compliant with the conditions of 35 U.S.C. 371 and other applicable requirements a Form PCT/DO/EO/903 indicating acceptance of the application as a national stage submission under 35 U.S.C. 371 will be issued in addition to the Filing Receipt, in due course.**

**New International Application Filed with the USPTO as a Receiving Office**

**If a new international application is being filed and the international application includes the necessary components for an international filing date (see PCT Article 11 and MPEP 1810), a Notification of the International Application Number and of the International Filing Date (Form PCT/RO/105) will be issued in due course, subject to prescriptions concerning national security, and the date shown on this Acknowledgement Receipt will establish the international filing date of the application.**

Under the Paperwork Reduction Act of 1995, no persons are required to respond to a collection of information unless it displays a valid OMB control number.

<b>PATENT APPLICATION FEE DETERMINATION RECORD</b> Substitute for Form PTO-875	Application or Docket Number <b>13/536,700</b>	Filing Date <b>06/28/2012</b>	<input type="checkbox"/> To be Mailed
---	---	----------------------------------	---------------------------------------

ENTITY:  LARGE  SMALL  MICRO

**APPLICATION AS FILED – PART I**

FOR	NUMBER FILED	NUMBER EXTRA	RATE (\$)	FEE (\$)
<input type="checkbox"/> BASIC FEE <small>(37 CFR 1.16(a), (b), or (c))</small>	N/A	N/A	N/A	
<input type="checkbox"/> SEARCH FEE <small>(37 CFR 1.16(k), (l), or (m))</small>	N/A	N/A	N/A	
<input type="checkbox"/> EXAMINATION FEE <small>(37 CFR 1.16(o), (p), or (q))</small>	N/A	N/A	N/A	
TOTAL CLAIMS <small>(37 CFR 1.16(i))</small>	minus 20 =	*	X \$ =	
INDEPENDENT CLAIMS <small>(37 CFR 1.16(h))</small>	minus 3 =	*	X \$ =	
<input type="checkbox"/> APPLICATION SIZE FEE <small>(37 CFR 1.16(s))</small>	If the specification and drawings exceed 100 sheets of paper, the application size fee due is \$310 (\$155 for small entity) for each additional 50 sheets or fraction thereof. See 35 U.S.C. 41(a)(1)(G) and 37 CFR 1.16(s).			
<input type="checkbox"/> MULTIPLE DEPENDENT CLAIM PRESENT <small>(37 CFR 1.16(j))</small>				
* If the difference in column 1 is less than zero, enter "0" in column 2.			TOTAL	

**APPLICATION AS AMENDED – PART II**

	(Column 1)	(Column 2)	(Column 3)	PRESENT EXTRA	RATE (\$)	ADDITIONAL FEE (\$)
<b>AMENDMENT</b>	<b>06/22/2015</b>	CLAIMS REMAINING AFTER AMENDMENT	HIGHEST NUMBER PREVIOUSLY PAID FOR			
	Total <small>(37 CFR 1.16(i))</small>	* 20	Minus	** 20	= 0	X \$80 = 0
	Independent <small>(37 CFR 1.16(h))</small>	* 3	Minus	***3	= 0	X \$420 = 0
	<input type="checkbox"/> Application Size Fee <small>(37 CFR 1.16(s))</small>					
<input type="checkbox"/> FIRST PRESENTATION OF MULTIPLE DEPENDENT CLAIM <small>(37 CFR 1.16(j))</small>						
					TOTAL ADD'L FEE	<b>0</b>

	(Column 1)	(Column 2)	(Column 3)	PRESENT EXTRA	RATE (\$)	ADDITIONAL FEE (\$)
<b>AMENDMENT</b>		CLAIMS REMAINING AFTER AMENDMENT	HIGHEST NUMBER PREVIOUSLY PAID FOR			
	Total <small>(37 CFR 1.16(i))</small>	*	Minus	**	=	X \$ =
	Independent <small>(37 CFR 1.16(h))</small>	*	Minus	***	=	X \$ =
	<input type="checkbox"/> Application Size Fee <small>(37 CFR 1.16(s))</small>					
<input type="checkbox"/> FIRST PRESENTATION OF MULTIPLE DEPENDENT CLAIM <small>(37 CFR 1.16(j))</small>						
					TOTAL ADD'L FEE	

\* If the entry in column 1 is less than the entry in column 2, write "0" in column 3.  
 \*\* If the "Highest Number Previously Paid For" IN THIS SPACE is less than 20, enter "20".  
 \*\*\* If the "Highest Number Previously Paid For" IN THIS SPACE is less than 3, enter "3".

The "Highest Number Previously Paid For" (Total or Independent) is the highest number found in the appropriate box in column 1.

LIE  
/PAMELA YOUNG/

This collection of information is required by 37 CFR 1.16. The information is required to obtain or retain a benefit by the public which is to file (and by the USPTO to process) an application. Confidentiality is governed by 35 U.S.C. 122 and 37 CFR 1.14. This collection is estimated to take 12 minutes to complete, including gathering, preparing, and submitting the completed application form to the USPTO. Time will vary depending upon the individual case. Any comments on the amount of time you require to complete this form and/or suggestions for reducing this burden, should be sent to the Chief Information Officer, U.S. Patent and Trademark Office, U.S. Department of Commerce, P.O. Box 1450, Alexandria, VA 22313-1450. DO NOT SEND FEES OR COMPLETED FORMS TO THIS ADDRESS. **SEND TO: Commissioner for Patents, P.O. Box 1450, Alexandria, VA 22313-1450.**

*If you need assistance in completing the form, call 1-800-PTO-9199 and select option 2.*



# UNITED STATES PATENT AND TRADEMARK OFFICE

UNITED STATES DEPARTMENT OF COMMERCE  
**United States Patent and Trademark Office**  
Address: COMMISSIONER FOR PATENTS  
P.O. Box 1450  
Alexandria, Virginia 22313-1450  
www.uspto.gov

APPLICATION NO.	FILING DATE	FIRST NAMED INVENTOR	ATTORNEY DOCKET NO.	CONFIRMATION NO.
13/536,700	06/28/2012	Robin Jason Lopulalan	77434-40 / ELV0017PA	4371
24256	7590	06/05/2015	EXAMINER	
DINSMORE & SHOHL LLP 255 East Fifth Street, Suite 1900 CINCINNATI, OH 45202			FAN, SHIOW-JY	
			ART UNIT	PAPER NUMBER
			2168	
			MAIL DATE	DELIVERY MODE
			06/05/2015	PAPER

**Please find below and/or attached an Office communication concerning this application or proceeding.**

The time period for reply, if any, is set in the attached communication.

<b>Applicant-Initiated Interview Summary</b>	<b>Application No.</b> 13/536,700	<b>Applicant(s)</b> LOPULALAN, ROBIN JASON	
	<b>Examiner</b> SHIOW-JY FAN	<b>Art Unit</b> 2168	

All participants (applicant, applicant's representative, PTO personnel):

- (1) SHIOW-JY FAN. (3) \_\_\_\_\_.
- (2) ANTHONY L. PISANO (reg. No. 65,098). (4) \_\_\_\_\_.

Date of Interview: 04 June 2015.

Type:  Telephonic  Video Conference  
 Personal [copy given to:  applicant  applicant's representative]

Exhibit shown or demonstration conducted:  Yes  No.  
If Yes, brief description: \_\_\_\_\_.

Issues Discussed 101 112 102 103 Others  
(For each of the checked box(es) above, please describe below the issue and detailed description of the discussion)

Claim(s) discussed: 1.

Identification of prior art discussed: Ciaramitaro and Mosoi.

**Substance of Interview**

(For each issue discussed, provide a detailed description and indicate if agreement was reached. Some topics may include: identification or clarification of a reference or a portion thereof, claim interpretation, proposed amendments, arguments of any applied references etc...)

The applicant's representative and the examiner discussed the invention and the claimed limitations. However, there was no agreement reached.

The examiner will perform further search upon received amendment.

**Applicant recordation instructions:** The formal written reply to the last Office action must include the substance of the interview. (See MPEP section 713.04). If a reply to the last Office action has already been filed, applicant is given a non-extendable period of the longer of one month or thirty days from this interview date, or the mailing date of this interview summary form, whichever is later, to file a statement of the substance of the interview

**Examiner recordation instructions:** Examiners must summarize the substance of any interview of record. A complete and proper recordation of the substance of an interview should include the items listed in MPEP 713.04 for complete and proper recordation including the identification of the general thrust of each argument or issue discussed, a general indication of any other pertinent matters discussed regarding patentability and the general results or outcome of the interview, to include an indication as to whether or not agreement was reached on the issues raised.

Attachment

/SHIOW-JY FAN/  
Primary Examiner, Art Unit 2168

## Summary of Record of Interview Requirements

### Manual of Patent Examining Procedure (MPEP), Section 713.04, Substance of Interview Must be Made of Record

A complete written statement as to the substance of any face-to-face, video conference, or telephone interview with regard to an application must be made of record in the application whether or not an agreement with the examiner was reached at the interview.

### Title 37 Code of Federal Regulations (CFR) § 1.133 Interviews

Paragraph (b)

In every instance where reconsideration is requested in view of an interview with an examiner, a complete written statement of the reasons presented at the interview as warranting favorable action must be filed by the applicant. An interview does not remove the necessity for reply to Office action as specified in §§ 1.111, 1.135. (35 U.S.C. 132)

37 CFR §1.2 Business to be transacted in writing.

All business with the Patent or Trademark Office should be transacted in writing. The personal attendance of applicants or their attorneys or agents at the Patent and Trademark Office is unnecessary. The action of the Patent and Trademark Office will be based exclusively on the written record in the Office. No attention will be paid to any alleged oral promise, stipulation, or understanding in relation to which there is disagreement or doubt.

The action of the Patent and Trademark Office cannot be based exclusively on the written record in the Office if that record is itself incomplete through the failure to record the substance of interviews.

It is the responsibility of the applicant or the attorney or agent to make the substance of an interview of record in the application file, unless the examiner indicates he or she will do so. It is the examiner's responsibility to see that such a record is made and to correct material inaccuracies which bear directly on the question of patentability.

Examiners must complete an Interview Summary Form for each interview held where a matter of substance has been discussed during the interview by checking the appropriate boxes and filling in the blanks. Discussions regarding only procedural matters, directed solely to restriction requirements for which interview recordation is otherwise provided for in Section 812.01 of the Manual of Patent Examining Procedure, or pointing out typographical errors or unreadable script in Office actions or the like, are excluded from the interview recordation procedures below. Where the substance of an interview is completely recorded in an Examiners Amendment, no separate Interview Summary Record is required.

The Interview Summary Form shall be given an appropriate Paper No., placed in the right hand portion of the file, and listed on the "Contents" section of the file wrapper. In a personal interview, a duplicate of the Form is given to the applicant (or attorney or agent) at the conclusion of the interview. In the case of a telephone or video-conference interview, the copy is mailed to the applicant's correspondence address either with or prior to the next official communication. If additional correspondence from the examiner is not likely before an allowance or if other circumstances dictate, the Form should be mailed promptly after the interview rather than with the next official communication.

The Form provides for recordation of the following information:

- Application Number (Series Code and Serial Number)
- Name of applicant
- Name of examiner
- Date of interview
- Type of interview (telephonic, video-conference, or personal)
- Name of participant(s) (applicant, attorney or agent, examiner, other PTO personnel, etc.)
- An indication whether or not an exhibit was shown or a demonstration conducted
- An identification of the specific prior art discussed
- An indication whether an agreement was reached and if so, a description of the general nature of the agreement (may be by attachment of a copy of amendments or claims agreed as being allowable). Note: Agreement as to allowability is tentative and does not restrict further action by the examiner to the contrary.
- The signature of the examiner who conducted the interview (if Form is not an attachment to a signed Office action)

It is desirable that the examiner orally remind the applicant of his or her obligation to record the substance of the interview of each case. It should be noted, however, that the Interview Summary Form will not normally be considered a complete and proper recordation of the interview unless it includes, or is supplemented by the applicant or the examiner to include, all of the applicable items required below concerning the substance of the interview.

A complete and proper recordation of the substance of any interview should include at least the following applicable items:

- 1) A brief description of the nature of any exhibit shown or any demonstration conducted,
- 2) an identification of the claims discussed,
- 3) an identification of the specific prior art discussed,
- 4) an identification of the principal proposed amendments of a substantive nature discussed, unless these are already described on the Interview Summary Form completed by the Examiner,
- 5) a brief identification of the general thrust of the principal arguments presented to the examiner,  
(The identification of arguments need not be lengthy or elaborate. A verbatim or highly detailed description of the arguments is not required. The identification of the arguments is sufficient if the general nature or thrust of the principal arguments made to the examiner can be understood in the context of the application file. Of course, the applicant may desire to emphasize and fully describe those arguments which he or she feels were or might be persuasive to the examiner.)
- 6) a general indication of any other pertinent matters discussed, and
- 7) if appropriate, the general results or outcome of the interview unless already described in the Interview Summary Form completed by the examiner.

Examiners are expected to carefully review the applicant's record of the substance of an interview. If the record is not complete and accurate, the examiner will give the applicant an extendable one month time period to correct the record.

### Examiner to Check for Accuracy

If the claims are allowable for other reasons of record, the examiner should send a letter setting forth the examiner's version of the statement attributed to him or her. If the record is complete and accurate, the examiner should place the indication, "Interview Record OK" on the paper recording the substance of the interview along with the date and the examiner's initials.





# UNITED STATES PATENT AND TRADEMARK OFFICE

UNITED STATES DEPARTMENT OF COMMERCE  
United States Patent and Trademark Office  
Address: COMMISSIONER FOR PATENTS  
P.O. Box 1450  
Alexandria, Virginia 22313-1450  
www.uspto.gov

APPLICATION NO.	FILING DATE	FIRST NAMED INVENTOR	ATTORNEY DOCKET NO.	CONFIRMATION NO.
13/536,700	06/28/2012	Robin Jason Lopulalan	77434-40 / ELV0017PA	4371
24256	7590	05/22/2015	EXAMINER	
DINSMORE & SHOHL LLP 255 East Fifth Street, Suite 1900 CINCINNATI, OH 45202			FAN, SHIOW-JY	
			ART UNIT	PAPER NUMBER
			2168	
			MAIL DATE	DELIVERY MODE
			05/22/2015	PAPER

**Please find below and/or attached an Office communication concerning this application or proceeding.**

The time period for reply, if any, is set in the attached communication.

<b>Advisory Action Before the Filing of an Appeal Brief</b>	<b>Application No.</b> 13/536,700	<b>Applicant(s)</b> LOPULALAN, ROBIN JASON	
	<b>Examiner</b> SHIOW-JY FAN	<b>Art Unit</b> 2168	<b>AIA (First Inventor to File) Status</b> No

**--The MAILING DATE of this communication appears on the cover sheet with the correspondence address --**

THE REPLY FILED 19 May 2015 FAILS TO PLACE THIS APPLICATION IN CONDITION FOR ALLOWANCE.

**NO NOTICE OF APPEAL FILED**

1.  The reply was filed after a final rejection. No Notice of Appeal has been filed. To avoid abandonment of this application, applicant must timely file one of the following replies: (1) an amendment, affidavit, or other evidence, which places the application in condition for allowance; (2) a Notice of Appeal (with appeal fee) in compliance with 37 CFR 41.31; or (3) a Request for Continued Examination (RCE) in compliance with 37 CFR 1.114 if this is a utility or plant application. Note that RCEs are not permitted in design applications. The reply must be filed within one of the following time periods:

- a)  The period for reply expires \_\_\_\_\_ months from the mailing date of the final rejection.
- b)  The period for reply expires on: (1) the mailing date of this Advisory Action; or (2) the date set forth in the final rejection, whichever is later. In no event, however, will the statutory period for reply expire later than SIX MONTHS from the mailing date of the final rejection.
- c)  A prior Advisory Action was mailed more than 3 months after the mailing date of the final rejection in response to a first after-final reply filed within 2 months of the mailing date of the final rejection. The current period for reply expires \_\_\_\_\_ months from the mailing date of the prior Advisory Action or SIX MONTHS from the mailing date of the final rejection, whichever is earlier.

*Examiner Note:* If box 1 is checked, check either box (a), (b) or (c). ONLY CHECK BOX (b) WHEN THIS ADVISORY ACTION IS THE FIRST RESPONSE TO APPLICANT'S FIRST AFTER-FINAL REPLY WHICH WAS FILED WITHIN TWO MONTHS OF THE FINAL REJECTION. ONLY CHECK BOX (c) IN THE LIMITED SITUATION SET FORTH UNDER BOX (c). See MPEP 706.07(f).

Extensions of time may be obtained under 37 CFR 1.136(a). The date on which the petition under 37 CFR 1.136(a) and the appropriate extension fee have been filed is the date for purposes of determining the period of extension and the corresponding amount of the fee. The appropriate extension fee under 37 CFR 1.17(a) is calculated from: (1) the expiration date of the shortened statutory period for reply originally set in the final Office action; or (2) as set forth in (b) or (c) above, if checked. Any reply received by the Office later than three months after the mailing date of the final rejection, even if timely filed, may reduce any earned patent term adjustment. See 37 CFR 1.704(b).

**NOTICE OF APPEAL**

2.  The Notice of Appeal was filed on \_\_\_\_\_. A brief in compliance with 37 CFR 41.37 must be filed within two months of the date of filing the Notice of Appeal (37 CFR 41.37(a)), or any extension thereof (37 CFR 41.37(e)), to avoid dismissal of the appeal. Since a Notice of Appeal has been filed, any reply must be filed within the time period set forth in 37 CFR 41.37(a).

**AMENDMENTS**

- 3.  The proposed amendments filed after a final rejection, but prior to the date of filing a brief, will not be entered because:
  - a)  They raise new issues that would require further consideration and/or search (see NOTE below);
  - b)  They raise the issue of new matter (see NOTE below);
  - c)  They are not deemed to place the application in better form for appeal by materially reducing or simplifying the issues for appeal; and/or
  - d)  They present additional claims without canceling a corresponding number of finally rejected claims.

NOTE: *See Continuation Sheet.* (See 37 CFR 1.116 and 41.33(a)).
- 4.  The amendments are not in compliance with 37 CFR 1.121. See attached Notice of Non-Compliant Amendment (PTOL-324).
- 5.  Applicant's reply has overcome the following rejection(s): \_\_\_\_\_.
- 6.  Newly proposed or amended claim(s) \_\_\_\_\_ would be allowable if submitted in a separate, timely filed amendment canceling the non-allowable claim(s).
- 7.  For purposes of appeal, the proposed amendment(s): (a)  will not be entered, or (b)  will be entered, and an explanation of how the new or amended claims would be rejected is provided below or appended.

**AFFIDAVIT OR OTHER EVIDENCE**

- 8.  A declaration(s)/affidavit(s) under 37 CFR 1.130(b) was/were filed on \_\_\_\_\_.
- 9.  The affidavit or other evidence filed after final action, but before or on the date of filing a Notice of Appeal will not be entered because applicant failed to provide a showing of good and sufficient reasons why the affidavit or other evidence is necessary and was not earlier presented. See 37 CFR 1.116(e).
- 10.  The affidavit or other evidence filed after the date of filing the Notice of Appeal, but prior to the date of filing a brief, will not be entered because the affidavit or other evidence failed to overcome all rejections under appeal and/or appellant fails to provide a showing of good and sufficient reasons why it is necessary and was not earlier presented. See 37 CFR 41.33(d)(1).
- 11.  The affidavit or other evidence is entered. An explanation of the status of the claims after entry is below or attached.

**REQUEST FOR RECONSIDERATION/OTHER**

- 12.  The request for reconsideration has been considered but does NOT place the application in condition for allowance because: \_\_\_\_\_.
- 13.  Note the attached Information *Disclosure Statement(s)*. (PTO/SB/08) Paper No(s). \_\_\_\_\_
- 14.  Other: PTOL-2323.

**STATUS OF CLAIMS**

- 15. The status of the claim(s) is (or will be) as follows:
  - Claim(s) allowed: .
  - Claim(s) objected to: .
  - Claim(s) rejected: 1,5,6 and 9-13.
  - Claim(s) withdrawn from consideration: .

/SHIOW-JY FAN/  
Primary Examiner, Art Unit 2168

Continuation of 3. NOTE: Amended claim 1 requires further search and consideration .

# AFCP 2.0 Decision

**Application No.**

13/536,700

**Applicant(s)**

LOPULALAN, ROBIN JASON

**Examiner**

SHIOW-JY FAN

**Art Unit**

2168

This is in response to the After Final Consideration Pilot request filed 19 May 2015.

1. **Improper Request** – The AFCP 2.0 request is improper for the following reason(s) and the after final amendment submitted with the request will be treated under pre-pilot procedure.

- An AFCP 2.0 request form PTO/SB/434 (or equivalent document) was not submitted.
- A non-broadening amendment to at least one independent claim was not submitted.
- A proper AFCP 2.0 request was submitted in response to the most recent final rejection.
- Other:

2. **Proper Request**

A. After final amendment submitted with the request will not be treated under AFCP 2.0.

The after final amendment cannot be reviewed and a search conducted within the guidelines of the pilot program.

- The after final amendment will be treated under pre-pilot procedure.

B. Updated search and/or completed additional consideration.

The examiner performed an updated search and/or completed additional consideration of the after final amendment within the time authorized for the pilot program. The result(s) of the updated search and/or completed additional consideration are:

- 1. All of the rejections in the most recent final Office action are overcome and a Notice of Allowance is issued herewith.
- 2. The after final amendment would not overcome all of the rejections in the most recent final Office action. See attached interview summary for further details.
- 3. The after final amendment was reviewed, and it raises a new issue(s). See attached interview summary for further details.
- 4. The after final amendment raises new issues, but would overcome all of the rejections in the most recent final Office action. A decision on determining allowability could not be made within the guidelines of the pilot. See attached interview summary for further details, including any newly discovered prior art.
- 5. Other:

Examiner Note: Please attach an interview summary when necessary as described above.

Docket No. 77434-40 / ELV0017PA

**PATENT**

**CERTIFICATE OF EFS ELECTRONIC TRANSMISSION**

I hereby certify that this paper is being transmitted to the United States Patent Office by the USPTO EFS web electronic filing system on May 19, 2015.

/ Anthony L. Pisano /

Anthony L. Pisano

DO NOT ENTER: /S.F./

5/21/2015

**IN THE UNITED STATES PATENT & TRADEMARK OFFICE**

Application of:

Applicant : Robin Jason Lopulalan  
Serial No. : 13/536,700  
Filed : June 28, 2012  
Title : Online Peer Review System and Method  
Docket : 77434-40 / ELV0017PA  
Examiner : Shiow-Jy Fan  
Art Unit : 2168

Commissioner for Patents  
P.O. Box 1450  
Alexandria, VA 22313-1450

**AMENDMENT**

This Amendment, together with the concurrently filed request for consideration under the After Final Consideration Pilot 2.0, constitutes a complete and timely response to the Non-final Office Action mailed on March 20, 2015 in the above-identified application. The following remarks are respectfully submitted.

**Amendments to the Claims** begin on page 2.

**Remarks** begin on page 4.

Docket No. 77434-40 / ELV0017PA

PATENT

**CERTIFICATE OF EFS ELECTRONIC TRANSMISSION**

I hereby certify that this paper is being transmitted to the United States Patent Office by the USPTO EFS web electronic filing system on May 19, 2015.

/ Anthony L. Pisano /

Anthony L. Pisano

**IN THE UNITED STATES PATENT & TRADEMARK OFFICE**

Application of:

Applicant : Robin Jason Lopulalan  
Serial No. : 13/536,700  
Filed : June 28, 2012  
Title : Online Peer Review System and Method  
Docket : 77434-40 / ELV0017PA  
Examiner : Shiow-Jy Fan  
Art Unit : 2168

Commissioner for Patents  
P.O. Box 1450  
Alexandria, VA 22313-1450

**AMENDMENT**

This Amendment, together with the concurrently filed request for consideration under the After Final Consideration Pilot 2.0, constitutes a complete and timely response to the Non-final Office Action mailed on March 20, 2015 in the above-identified application. The following remarks are respectfully submitted.

**Amendments to the Claims** begin on page 2.

**Remarks** begin on page 4.

## AMENDMENTS TO THE CLAIMS

This listing of claims will replace all prior versions, and listings, of claims in the application:

### Listing of Claims:

1. (Currently amended) An online ~~document management~~ journal recommendation system, comprising:

one or more editorial computers connected to a multi-node network, said editorial computers comprising one or more program controlled data processors configured to:

receive document submissions via said multi-node network;

access journal database records, wherein said database records include information associated with submitted documents and user profiles;

migrate one or more documents between non-sister journal databases;

create a first fingerprint of a published article in a particular journal from the journal database records;

create a second fingerprint of an author-submitted article that is created and submitted by an author;

~~comparing~~ compare the first fingerprint with the second fingerprint to determine whether the particular journal has articles with a high similarity to the author-submitted article; and

recommend the particular journal to the author for submission of the author-submitted article if the particular journal has published articles which have a high similarity.

2.-4. (Canceled)

5. (Currently amended) The ~~document management~~ journal recommendation system of claim 1, wherein one or more of said editorial computers select one or more submitted documents and process the selected documents as a group with shared properties.

6. (Currently amended) The online ~~document management~~ journal recommendation system of claim 5, wherein one or more of said editorial computers create a group template for the selected documents.

7.-8. (Canceled)

9. (Currently amended) The online ~~document management~~ journal recommendation system of claim 1, wherein said data processor is further configured to convert one or more submitted documents to a Common Readable Format.

10. (Currently amended) The online ~~document management~~ journal recommendation system of claim 9, wherein said Common Readable Format is Hypertext Markup Language or Extensible Markup Language.

11. (Currently amended) The online ~~document management~~ journal recommendation system of claim 1, wherein one or more of the editorial computers automatically assigns editors according to rules and settings of the management system.

12. (Currently amended) The online ~~document management~~ journal recommendation system of claim 1, wherein one or more of the editorial computers search for reviewers by taking into account the author's preferred reviewers.

13. (Currently amended) The online ~~document management~~ journal recommendation system of claim 1, wherein annotations to one or more submitted documents are made in the documents being displayed.

14.-32. (Canceled)



### **REMARKS**

Applicant would like to thank the Examiner for the substantive review provided in this application. In the Office Action, the Office withdrew claims 21-32 and rejected the remaining pending claims. More particularly:

- Claims 21-32 are withdrawn from consideration as being directed to a non-elected invention.
- Claims 1, 5-6, 14, and 18 are rejected under pre-AIA 35 U.S.C. §103(a) as being unpatentable over U.S. Patent Application Publication No. 2005/0004951 to Ciaramitaro et al. (“Ciaramitaro”) in view of U.S. Patent Application Publication No. 2011/0072013 to Mosoi et al. (“Mosoi”).
- Claims 9-10 are rejected under pre-AIA 35 U.S.C. §103(a) as being unpatentable over Ciaramitaro in view of Mosoi and U.S. Patent Application Publication No. 2011/0072013 to De Angelis et al. (“De Angelis”).
- Claims 11 and 13 are rejected under pre-AIA 35 U.S.C. §103(a) as being unpatentable over Ciaramitaro in view of Mosoi and U.S. Patent Application Publication No. 2006/0282762 to Diamond et al. (“Diamond”).
- Claim 12 is rejected under pre-AIA 35 U.S.C. §103(a) as being unpatentable over Ciaramitaro in view of Mosoi and U.S. Patent Application Publication No. 2001/0047357 to Vaithilingam et al. (“Vaithilingam”).

Claim 1 has been amended to clarify that the system is a journal recommendation system, that the first fingerprint is compared with the second fingerprint to determine whether a particular journal has articles with high similarity to an author-submitted article, and that the recommending step is for submission of the author-submitted article. Claims 5-6 and 9-13 have been amended to correspond to claim 1. Support for these amendments may be found in the specification, figures and claims as originally filed, particularly at paragraphs [0054] and [0055]. As claims 21-32 have been withdrawn by the examiner, such claims are hereby canceled without prejudice. It is believed that no new matter has been entered through these amendments and entry is respectfully requested.

### **Rejections under 35 U.S.C. § 103(a)**

Claim 1 is nonobvious over Ciaramitaro in view of Mosoi because Ciaramitaro and Mosoi, whether considered alone or in any combination, fail to teach or reasonably suggest each and every recitation of claim 1. More particularly, Ciaramitaro and Mosoi fail to teach or reasonably suggest the following:

- compare the first fingerprint with the second fingerprint to determine whether the particular journal has articles with a high similarity to the author-submitted article; and
- recommend the particular journal to the author for submission of the author-submitted article if the particular journal has published articles which have a high similarity.

Ciaramitaro discloses a system and method for electronically managing privileged and non-privileged documents in two independent schema for litigation support. *See* Ciaramitaro at Abstract and [0002]. The system includes a litigation support application that supports the collection, storage, retrieval, and review of discovery information for litigation, regulatory, or other matters where discovery information needs to be assembled. *See id.* at [0018].

Mosoi discloses a system and method for fast computation of content recommendation. *See* Mosoi at Abstract. Mosoi further discloses that a user profile is determined for a user, where the profile is based on one or more fingerprints of documents viewed by the user. *See id.* at [0016]. The system and method can determine relevant documents based on the determined user profile. *See id.* The fingerprints of the documents are hash functions that are applied on a vector that outputs a number of bits. *See id.* at [0022]. The method performs an estimation using a user's profile to determine documents that are most relevant to the user and provides a list of the documents to the user. *See id.* at [0065] and [0070].

The Office admits that Ciaramitaro does not disclose comparing a first fingerprint with a second fingerprint to determine whether a particular journal has articles with a high similarity, as recited in claim 1. *See* Office Action at 8. Moreover, the Office admits that Ciaramitaro does not disclose recommending the particular journal to the author if the particular journal has published articles which have a high similarity. *See id.* Applicant agrees and does not contest the Office's admission.

However, Mosoi fails to remedy the deficiencies of Ciaramitaro. Particularly, Mosoi fails to teach or reasonably suggest determining whether the particular journal has articles with a high similarity to the author-submitted article, as recited in claim 1. At best, Mosoi discloses determining whether the fingerprints of all available documents are similar to documents that were previously viewed by a user. *See* Mosoi at [0069]. That is, the determining disclosed in Mosoi is based on documents that a user views, and is wholly unrelated to documents that a user creates and submits, as recited in claim 1.

In addition, Mosoi fails to teach or reasonably suggest recommending the particular journal to the author for submission of the author-submitted article, as recited in claim 1. Rather, Mosoi merely discloses compiling a list of documents that were determined to be similar based on the user's browsing history and providing that list to a browser for the user to view. *See id.* at [0070]. Such a list would allow a user to view documents that were determined to potentially be of interest to the user, but would not provide a recommendation of a journal for a user to submit the article, as recited in claim 1.

Therefore, for at least the reasons set forth herein, claim 1 is nonobvious over Ciaramitaro in view of Mosoi. Because claims 5-6 and 9-13 depend from and incorporate all of the recitations of claim 1, claims 5-6 and 9-13 are likewise nonobvious over Ciaramitaro in view of Mosoi. *See* MPEP §2143.03 (stating that if an independent claim is nonobvious under 35 U.S.C. §103, then any claim depending therefrom is nonobvious). Accordingly, Applicant respectfully requests that the rejections associated with claims 1, 5-6, and 9-13 be withdrawn.

### **Conclusion**

In view of the above remarks, Applicant respectfully submits that the application is now in condition for allowance. The Examiner is encouraged to contact the undersigned to resolve efficiently any formal matters or to discuss any aspects of the application or of this response. Otherwise, early notification of allowable subject matter is respectfully requested.

No additional fees are believed to be due. However, the Director is hereby authorized to charge all required fees (including any extension of time fees) and to credit any overpayment of fees in this and any concurrent or future correspondence to Deposit Account No. 041133.

Respectfully submitted,

/ Anthony L. Pisano /

**Anthony L. Pisano**

**Registration No. 65,098**

Attorney for Assignee

DINSMORE & SHOHL LLP

One Oxford Centre

301 Grant Street, Suite 2800

Pittsburgh, PA 15219

(513) 977-8438

**CERTIFICATION AND REQUEST FOR CONSIDERATION UNDER THE  
AFTER FINAL CONSIDERATION PILOT PROGRAM 2.0**

Practitioner Docket No.: <b>77434-40 / ELV0017PA</b>	Application No.: <b>13536700</b>	Filing Date: <b>2012-06-28</b>
First Named Inventor: <b>Robin Jason Lopulalan</b>	Title: <b>Online Peer Review System and Method</b>	
<p>APPLICANT HEREBY CERTIFIES THE FOLLOWING AND REQUESTS CONSIDERATION UNDER THE AFTER FINAL CONSIDERATION PILOT PROGRAM 2.0 (AFCP 2.0) OF THE ACCOMPANYING RESPONSE UNDER 37 CFR 1.116.</p> <ol style="list-style-type: none"> <li>1. The above-identified application is (i) an original utility, plant, or design nonprovisional application filed under 35 U.S.C. 111(a) [a continuing application (<i>e.g.</i>, a continuation or divisional application) is filed under 35 U.S.C. 111(a) and is eligible under (i)], or (ii) an international application that has entered the national stage in compliance with 35 U.S.C. 371(c).</li> <li>2. The above-identified application contains an outstanding final rejection.</li> <li>3. Submitted herewith is a response under 37 CFR 1.116 to the outstanding final rejection. The response includes an amendment to at least one independent claim, and the amendment does not broaden the scope of the independent claim in any aspect.</li> <li>4. This certification and request for consideration under AFCP 2.0 is the only AFCP 2.0 certification and request filed in response to the outstanding final rejection.</li> <li>5. Applicant is willing and available to participate in any interview requested by the examiner concerning the present response.</li> <li>6. This certification and request is being filed electronically using the Office's electronic filing system (EFS-Web).</li> <li>7. Any fees that would be necessary consistent with current practice concerning responses after final rejection under 37 CFR 1.116, <i>e.g.</i>, extension of time fees, are being concurrently filed herewith. [There is no additional fee required to request consideration under AFCP 2.0.]</li> <li>8. By filing this certification and request, applicant acknowledges the following: <ul style="list-style-type: none"> <li>• Reissue applications and reexamination proceedings are not eligible to participate in AFCP 2.0.</li> <li>• The examiner will verify that the AFCP 2.0 submission is compliant, <i>i.e.</i>, that the requirements of the program have been met (see items 1 to 7 above). For compliant submissions: <ul style="list-style-type: none"> <li>○ The examiner will review the response under 37 CFR 1.116 to determine if additional search and/or consideration (i) is necessitated by the amendment and (ii) could be completed within the time allotted under AFCP 2.0. If additional search and/or consideration is required but cannot be completed within the allotted time, the examiner will process the submission consistent with current practice concerning responses after final rejection under 37 CFR 1.116, <i>e.g.</i>, by mailing an advisory action.</li> <li>○ If the examiner determines that the amendment does not necessitate additional search and/or consideration, or if the examiner determines that additional search and/or consideration is required and could be completed within the allotted time, then the examiner will consider whether the amendment places the application in condition for allowance (after completing the additional search and/or consideration, if required). If the examiner determines that the amendment does not place the application in condition for allowance, then the examiner will contact the applicant and request an interview. <ul style="list-style-type: none"> <li>▪ The interview will be conducted by the examiner, and if the examiner does not have negotiation authority, a primary examiner and/or supervisory patent examiner will also participate.</li> <li>▪ If the applicant declines the interview, or if the interview cannot be scheduled within ten (10) calendar days from the date that the examiner first contacts the applicant, then the examiner will proceed consistent with current practice concerning responses after final rejection under 37 CFR 1.116.</li> </ul> </li> </ul> </li> </ul> </li> </ol>		
Signature <b>/ Anthony L. Pisano /</b>	Date <b>2015-05-19</b>	
Name (Print/Typed) <b>Anthony L. Pisano</b>	Practitioner Registration No. <b>65098</b>	
<p><b>Note:</b> This form must be signed in accordance with 37 CFR 1.33. See 37 CFR 1.4(d) for signature requirements and certifications. Submit multiple forms if more than one signature is required, see below*.</p>		
<input checked="" type="checkbox"/> * Total of <u>one</u> forms are submitted.		

## Privacy Act Statement

The **Privacy Act of 1974 (P.L. 93-579)** requires that you be given certain information in connection with your submission of the attached form related to a patent application or patent. Accordingly, pursuant to the requirements of the Act, please be advised that: (1) the general authority for the collection of this information is 35 U.S.C. 2(b)(2); (2) furnishing of the information solicited is voluntary; and (3) the principal purpose for which the information is used by the U.S. Patent and Trademark Office is to process and/or examine your submission related to a patent application or patent. If you do not furnish the requested information, the U.S. Patent and Trademark Office may not be able to process and/or examine your submission, which may result in termination of proceedings or abandonment of the application or expiration of the patent.

The information provided by you in this form will be subject to the following routine uses:

1. The information on this form will be treated confidentially to the extent allowed under the Freedom of Information Act (5 U.S.C. 552) and the Privacy Act (5 U.S.C. 552a). Records from this system of records may be disclosed to the Department of Justice to determine whether disclosure of these records is required by the Freedom of Information Act.
2. A record from this system of records may be disclosed, as a routine use, in the course of presenting evidence to a court, magistrate, or administrative tribunal, including disclosures to opposing counsel in the course of settlement negotiations.
3. A record in this system of records may be disclosed, as a routine use, to a Member of Congress submitting a request involving an individual, to whom the record pertains, when the individual has requested assistance from the Member with respect to the subject matter of the record.
4. A record in this system of records may be disclosed, as a routine use, to a contractor of the Agency having need for the information in order to perform a contract. Recipients of information shall be required to comply with the requirements of the Privacy Act of 1974, as amended, pursuant to 5 U.S.C. 552a(m).
5. A record related to an International Application filed under the Patent Cooperation Treaty in this system of records may be disclosed, as a routine use, to the International Bureau of the World Intellectual Property Organization, pursuant to the Patent Cooperation Treaty.
6. A record in this system of records may be disclosed, as a routine use, to another federal agency for purposes of National Security review (35 U.S.C. 181) and for review pursuant to the Atomic Energy Act (42 U.S.C. 218(c)).
7. A record from this system of records may be disclosed, as a routine use, to the Administrator, General Services, or his/her designee, during an inspection of records conducted by GSA as part of that agency's responsibility to recommend improvements in records management practices and programs, under authority of 44 U.S.C. 2904 and 2906. Such disclosure shall be made in accordance with the GSA regulations governing inspection of records for this purpose, and any other relevant (*i.e.*, GSA or Commerce) directive. Such disclosure shall not be used to make determinations about individuals.
8. A record from this system of records may be disclosed, as a routine use, to the public after either publication of the application pursuant to 35 U.S.C. 122(b) or issuance of a patent pursuant to 35 U.S.C. 151. Further, a record may be disclosed, subject to the limitations of 37 CFR 1.14, as a routine use, to the public if the record was filed in an application which became abandoned or in which the proceedings were terminated and which application is referenced by either a published application, an application open to public inspection or an issued patent.
9. A record from this system of records may be disclosed, as a routine use, to a Federal, State, or local law enforcement agency, if the USPTO becomes aware of a violation or potential violation of law or regulation.

## Electronic Acknowledgement Receipt

<b>EFS ID:</b>	22382653
<b>Application Number:</b>	13536700
<b>International Application Number:</b>	
<b>Confirmation Number:</b>	4371
<b>Title of Invention:</b>	Online Peer Review System and Method
<b>First Named Inventor/Applicant Name:</b>	Robin Jason Lopulalan
<b>Customer Number:</b>	24256
<b>Filer:</b>	Anthony Laurence Pisano/chris loeckel
<b>Filer Authorized By:</b>	Anthony Laurence Pisano
<b>Attorney Docket Number:</b>	77434-40 / ELV0017PA
<b>Receipt Date:</b>	19-MAY-2015
<b>Filing Date:</b>	28-JUN-2012
<b>Time Stamp:</b>	10:17:55
<b>Application Type:</b>	Utility under 35 USC 111(a)

### Payment information:

Submitted with Payment	no
------------------------	----

### File Listing:

Document Number	Document Description	File Name	File Size(Bytes)/ Message Digest	Multi Part /.zip	Pages (if appl.)
1		Response.pdf	37498 <small>e89081ec41d4279c33db99b26d8e8833ad5b5827</small>	yes	6

Multipart Description/PDF files in .zip description			
Document Description	Start	End	
Response After Final Action	1	1	
Claims	2	3	
Applicant Arguments/Remarks Made in an Amendment	4	6	

**Warnings:**

**Information:**

2	After Final Consideration Program Request	AFCP_sb0434.pdf	226898	no	2
			5fd0acc7f4d3573694fca3ecab63e61fecf09d55		

**Warnings:**

**Information:**

<b>Total Files Size (in bytes):</b>		264396
-------------------------------------	--	--------

This Acknowledgement Receipt evidences receipt on the noted date by the USPTO of the indicated documents, characterized by the applicant, and including page counts, where applicable. It serves as evidence of receipt similar to a Post Card, as described in MPEP 503.

**New Applications Under 35 U.S.C. 111**

If a new application is being filed and the application includes the necessary components for a filing date (see 37 CFR 1.53(b)-(d) and MPEP 506), a Filing Receipt (37 CFR 1.54) will be issued in due course and the date shown on this Acknowledgement Receipt will establish the filing date of the application.

**National Stage of an International Application under 35 U.S.C. 371**

If a timely submission to enter the national stage of an international application is compliant with the conditions of 35 U.S.C. 371 and other applicable requirements a Form PCT/DO/EO/903 indicating acceptance of the application as a national stage submission under 35 U.S.C. 371 will be issued in addition to the Filing Receipt, in due course.

**New International Application Filed with the USPTO as a Receiving Office**

If a new international application is being filed and the international application includes the necessary components for an international filing date (see PCT Article 11 and MPEP 1810), a Notification of the International Application Number and of the International Filing Date (Form PCT/RO/105) will be issued in due course, subject to prescriptions concerning national security, and the date shown on this Acknowledgement Receipt will establish the international filing date of the application.

Under the Paperwork Reduction Act of 1995, no persons are required to respond to a collection of information unless it displays a valid OMB control number.

<b>PATENT APPLICATION FEE DETERMINATION RECORD</b> Substitute for Form PTO-875	Application or Docket Number <b>13/536,700</b>	Filing Date <b>06/28/2012</b>	<input type="checkbox"/> To be Mailed
---	---	----------------------------------	---------------------------------------

ENTITY:  LARGE  SMALL  MICRO

**APPLICATION AS FILED – PART I**

FOR	NUMBER FILED	NUMBER EXTRA	RATE (\$)	FEE (\$)
<input type="checkbox"/> BASIC FEE (37 CFR 1.16(a), (b), or (c))	N/A	N/A	N/A	
<input type="checkbox"/> SEARCH FEE (37 CFR 1.16(k), (l), or (m))	N/A	N/A	N/A	
<input type="checkbox"/> EXAMINATION FEE (37 CFR 1.16(o), (p), or (q))	N/A	N/A	N/A	
TOTAL CLAIMS (37 CFR 1.16(i))	minus 20 =	*	X \$ =	
INDEPENDENT CLAIMS (37 CFR 1.16(h))	minus 3 =	*	X \$ =	
<input type="checkbox"/> APPLICATION SIZE FEE (37 CFR 1.16(s))	If the specification and drawings exceed 100 sheets of paper, the application size fee due is \$310 (\$155 for small entity) for each additional 50 sheets or fraction thereof. See 35 U.S.C. 41(a)(1)(G) and 37 CFR 1.16(s).			
<input type="checkbox"/> MULTIPLE DEPENDENT CLAIM PRESENT (37 CFR 1.16(j))				
* If the difference in column 1 is less than zero, enter "0" in column 2.			TOTAL	

**APPLICATION AS AMENDED – PART II**

	(Column 1)	(Column 2)	(Column 3)	PRESENT EXTRA	RATE (\$)	ADDITIONAL FEE (\$)
<b>AMENDMENT</b>	<b>05/19/2015</b>	CLAIMS REMAINING AFTER AMENDMENT	HIGHEST NUMBER PREVIOUSLY PAID FOR			
	Total (37 CFR 1.16(i))	* 8	Minus	** 20	= 0	X \$80 = 0
	Independent (37 CFR 1.16(h))	* 1	Minus	***3	= 0	X \$420 = 0
	<input type="checkbox"/> Application Size Fee (37 CFR 1.16(s))					
<input type="checkbox"/> FIRST PRESENTATION OF MULTIPLE DEPENDENT CLAIM (37 CFR 1.16(j))						
					TOTAL ADD'L FEE	<b>0</b>

	(Column 1)	(Column 2)	(Column 3)	PRESENT EXTRA	RATE (\$)	ADDITIONAL FEE (\$)
<b>AMENDMENT</b>		CLAIMS REMAINING AFTER AMENDMENT	HIGHEST NUMBER PREVIOUSLY PAID FOR			
	Total (37 CFR 1.16(i))	*	Minus	**	=	X \$ =
	Independent (37 CFR 1.16(h))	*	Minus	***	=	X \$ =
	<input type="checkbox"/> Application Size Fee (37 CFR 1.16(s))					
<input type="checkbox"/> FIRST PRESENTATION OF MULTIPLE DEPENDENT CLAIM (37 CFR 1.16(j))						
					TOTAL ADD'L FEE	

\* If the entry in column 1 is less than the entry in column 2, write "0" in column 3.  
 \*\* If the "Highest Number Previously Paid For" IN THIS SPACE is less than 20, enter "20".  
 \*\*\* If the "Highest Number Previously Paid For" IN THIS SPACE is less than 3, enter "3".  
 The "Highest Number Previously Paid For" (Total or Independent) is the highest number found in the appropriate box in column 1.

LIE  
 /TAMIE JARRETT/

This collection of information is required by 37 CFR 1.16. The information is required to obtain or retain a benefit by the public which is to file (and by the USPTO to process) an application. Confidentiality is governed by 35 U.S.C. 122 and 37 CFR 1.14. This collection is estimated to take 12 minutes to complete, including gathering, preparing, and submitting the completed application form to the USPTO. Time will vary depending upon the individual case. Any comments on the amount of time you require to complete this form and/or suggestions for reducing this burden, should be sent to the Chief Information Officer, U.S. Patent and Trademark Office, U.S. Department of Commerce, P.O. Box 1450, Alexandria, VA 22313-1450. DO NOT SEND FEES OR COMPLETED FORMS TO THIS ADDRESS. **SEND TO: Commissioner for Patents, P.O. Box 1450, Alexandria, VA 22313-1450.**

*If you need assistance in completing the form, call 1-800-PTO-9199 and select option 2.*





UNITED STATES PATENT AND TRADEMARK OFFICE

UNITED STATES DEPARTMENT OF COMMERCE  
United States Patent and Trademark Office  
Address: COMMISSIONER FOR PATENTS  
P.O. Box 1450  
Alexandria, Virginia 22313-1450  
www.uspto.gov

APPLICATION NO.	FILING DATE	FIRST NAMED INVENTOR	ATTORNEY DOCKET NO.	CONFIRMATION NO.
13/536,700	06/28/2012	Robin Jason Lopulalan	77434-40 / ELV0017PA	4371
24256	7590	03/20/2015	EXAMINER	
DINSMORE & SHOHL LLP 255 East Fifth Street, Suite 1900 CINCINNATI, OH 45202			FAN, SHIOW-JY	
			ART UNIT	PAPER NUMBER
			2168	
			MAIL DATE	DELIVERY MODE
			03/20/2015	PAPER

**Please find below and/or attached an Office communication concerning this application or proceeding.**

The time period for reply, if any, is set in the attached communication.



Art Unit: 2168

The present application is being examined under the pre-AIA first to invent provisions.

### **DETAILED ACTION**

- a. This action is responsive to remarks and amendment filed on 2/24/2015.
- b. Rejections and/or objections not reiterated from previous office actions are hereby withdrawn.
- c. Claims 1, 5-6, 9-13 and 21-32 are pending in this Office Action. Claim 1 has been amended. Claims 2-4, 7-8 and 14-20 have been cancelled. Claims 21-32 are newly added. Claims 1, 21 and 27 are independent claims.

### **Remarks**

The claims and only the claims form the metes and bounds of the invention will be addressed. "Office personnel are to give claims their broadest reasonable interpretation in light of the supporting disclosure. In re Morris, 127 F.3d 1048, 1054-55, 44 USPQ2d 1023, 1027-28 (Fed. Cir. 1997). Limitations appearing in the specification but not recited in the claim are not read into the claim. In re Prater, 415 F.2d 1393, 1404-05, 162 USPQ 541, 550-551 (CCPA 1969)" (MPEP p 2100-8, c 2, I 45-48; p 2100-9, c 1, I 1-4). The Examiner has full latitude to interpret each claim in the broadest reasonable interpretation in light of the specification. See MPEP 2111 [R-1]. The Examiner will reference prior art using terminology familiar to one of ordinary skill in the art. Such an approach is broad in concept and can be either explicit or implicit in meaning.

Art Unit: 2168

***Election/Restrictions***

Newly submitted claims 21-32 directed to an invention that is independent or distinct from the invention originally claimed for the following reasons: The original claims were directed to compare fingerprints of a published article in a journal with the an article submitted by an author, and recommend the journal to the author if the two articles have a high similarity. The newly added claims are directed to “receive a first input comprising a request to initiate a waterfall process for a rejected article, provide a first notification of the input to a receiving journal device, receive a confirmation to proceed from the receiving journal device, transform the rejected article into a waterfalled article, transmit data comprising a submission to the receiving journal device, wherein the submission comprises the waterfalled article and metadata, and receive a transmission from the receiving journal device, wherein the transmission comprises an acceptance or a rejection of the submission”.

Since applicant has received an action on the merits for the originally presented invention, this invention has been constructively elected by original presentation for prosecution on the merits. Accordingly, claims 21-32 withdrawn from consideration as being directed to a non-elected invention. See 37 CFR 1.142(b) and MPEP § 821.03.

***Response to Arguments***

Applicant's arguments filed on 2/24/2015 have been fully considered but they are not persuasive.

Art Unit: 2168

The amended claim 1 recites “**create a first fingerprint of a published article in a particular journal from the journal database records; create a second fingerprint of an article submitted by an author; comparing the first fingerprint with the second fingerprint to determine whether the particular journal has articles with a high similarity; and recommend the particular journal to the author if the particular journal has published articles which have a high similarity**”. The applicant argued that since the addition of the disclosure of Mosoi would allow users to see documents in both privileged and non-privileged groups (as keywords would show up for both groups), such a combination would frustrate the purpose of Ciaramitaro because the privileged and non-privileged documents would become commingled and could not be access controlled. *See* Ciaramitaro at [0006]. As such, Applicant respectfully submits that a person of ordinary skill in the art would not have a reason to combine these features. In addition, the combination thereof would frustrate the principle of operation of Ciaramitaro.

In response to the amendment and the argument, the examiner respectfully submits that:

Paragraph [0006] of **Ciaramitaro** discussed a system and method are provided for electronically managing privileged and non-privileged documents in two independent schemas, a privileged schema for storing privileged documents and a non-privileged schema for storing non-privileged documents. The two schemas are separate and distinct so that privileged and non-privileged documents are not commingled. Access to the privileged schema is restricted to privileged users while non-privileged users have access only to the non-privileged schema. As a result, privileged documents are protected against the inadvertent waiver of privilege.

Art Unit: 2168

However, there is nowhere **Ciaramitaro** is against to recommend the similar journals to the other authors. Recommending published articles have a high similarity to the author has nothing to do with whether the documents are in a privileged or non-privileged schema or not. After the recommendation, the recommended documents are still maintained in privileged and non-privileged schemas. When the author wants to access the privileged and recommended documents, the author still needs to request the access right to the privileged and recommended documents.

Hence, **Ciaramitaro** in view of **Mosoi** teaches the limitations as claimed and argued.

### ***Claim Rejections - 35 USC § 103***

The following is a quotation of pre-AIA 35 U.S.C. 103(a) which forms the basis for all obviousness rejections set forth in this Office action:

(a) A patent may not be obtained though the invention is not identically disclosed or described as set forth in section 102 of this title, if the differences between the subject matter sought to be patented and the prior art are such that the subject matter as a whole would have been obvious at the time the invention was made to a person having ordinary skill in the art to which said subject matter pertains. Patentability shall not be negated by the manner in which the invention was made.

The factual inquiries set forth in *Graham v. John Deere Co.*, 383 U.S. 1, 148 USPQ 459 (1966), that are applied for establishing a background for determining obviousness under pre-AIA 35 U.S.C. 103(a) are summarized as follows:

1. Determining the scope and contents of the prior art.
2. Ascertaining the differences between the prior art and the claims at issue.
3. Resolving the level of ordinary skill in the pertinent art.

Art Unit: 2168

4. Considering objective evidence present in the application indicating obviousness or nonobviousness.

Claims 1 and 5-6 are rejected under pre-AIA 35 U.S.C. 103(a) as being unpatentable over Ciaramitaro et al. (US Pub. No. 2005/0004951 A1), hereinafter “**Ciaramitaro**” in view of Mosoi et al. (US Pub. No. 2011/0072013 A1), hereinafter “**Mosoi**”.

Regarding claim 1, **Ciaramitaro** teaches an online document management system, comprising: one or more editorial computers connected to a multi-node network, said editorial computers comprising

**one or more program controlled data processors** (See Figure 1 element 104 Host system) **configured to:**

**receive document submissions via said multi-node network** (See [0024] and Figure 1, The host system 104 depicted in FIG. 1 may be implemented using one or more servers operating in response to a computer program stored in a storage medium accessible by the server. The host system 104 may operate as a network server (e.g., a web server) to communicate with the user system 102. The host system 104 handles sending and receiving information to and from the user system 102 and can perform associated tasks);

**access journal database records, wherein said database records include information associated with submitted documents and user profiles** (See [0023], [0027], [0030]-[0031] and [0033], each schema contains its own database entities (e.g., tables, views, and triggers), entity relationships, data, access and security restrictions.

Art Unit: 2168

[0054], in this manner, a user may log into the privileged schema 208 and access the partially privileged document through the same folder structure as that in the non-privileged schema 210);

**migrate one or more documents between non-sister journal databases** (See [0051], When the modification is applied in the non-privileged schema, these functions include migrating relevant data from document and document-related entities in the non-privileged schema 210 to the privileged schema 208).

However, **Mosoi** teaches:

**create a first fingerprint of a published article in a particular journal from the journal database records** (**Mosoi**, See [0022], the preprocess engine 202 determines a fingerprint for each content or document available in one or more databases (e.g., databases 124). A fingerprint is a hash function that is applied on a vector that outputs a number of bits);

**create a second fingerprint of an article submitted by an author** (**Mosoi**, See [0023], After accessing a document, the user profile is updated to reflect the access document and the user is presented with the list of recommended documents by the interface module 204. If the user selects one of the recommended documents, the interface module 204 may further log the selection and redirects the user to a corresponding redirect service URL. In one embodiment, the interface module 204 may also store a user fingerprint of the user profile in a user cookie having a predetermined lifespan (e.g., 15 minutes) in order to track the user's behavior and preferences);



**comparing the first fingerprint with the second fingerprint to determine whether the particular journal has articles with a high similarity** (See [0069], the similarity calculation module 404 will estimate a cosine distance between a user fingerprint of the current user profile determined in operation 508 or 510 and fingerprints of all available documents); **and**

**recommend the particular journal to the author if the particular journal has published articles which have a high similarity** (See [0070], A list of a top N numbers of content with the highest similarity or relevance value is generated at operation 514. In example embodiments, the list determination module 406 will select the top N more relevant documents and provide a list to a browser (e.g., via the interface module 204) associated with the requesting user).

Hence, it would have been obvious to one of ordinary skill in the art at the time of the invention was made to combine Ciaramitaro and Mosoi because **Mosoi** discloses a dynamic user profile for a user is determined. The dynamic user profile is based on one or more fingerprints of viewed documents by the user. One or more relevant documents are determined based on the dynamic user profile and the fingerprints of documents in the system. A list of the one or more relevant documents is then provided to the user (**Mosoi**, See ABSTRACT) which can be utilized by Ciaramitaro to recommend the similar documents to the author who submitted similar article and to increase user satisfaction rate.

Art Unit: 2168

Regarding claim 5, **Ciaramitaro** in view of **Mosoi** further teaches **the online document management system of claim 1, wherein one or more of said editorial computers select one or more submitted documents and process the selected documents as a group with shared properties** (**Ciaramitaro**, See [0023], a several related documents may be grouped together as a composite document such that the composite document may be treated as a single grouped document or each as individual documents in the LSA that can be separately or individually reviewed for document decisions).

Regarding claim 6, **Ciaramitaro** in view of **Mosoi** further teaches **the online document management system of claim 5, wherein one or more of said editorial computers create a group template for the selected documents** (**Ciaramitaro**, See [0026], A privileged document 202 is a document where the entire contents of the document are privileged. A non-privileged document 204 is a document containing no privileged information, or content. A partially privileged document 206 is a document where portions of the document content are non-privileged and other portions of the document are privileged).

Claims 9-10 are rejected under pre-AIA 35 U.S.C. 103(a) as being unpatentable over **Ciaramitaro** in view of **Mosoi** as applied to claim 1 above, and further in view of De Angelis et al. (US Pub. No. 2011/0072013 A1), hereinafter “**De Angelis**”.

Regarding claim 9, **Ciaramitaro** in view of **Mosoi** does not explicitly **the online document management system of claim 1, wherein said data processor is further configured to convert one or more submitted documents to a Common Readable Format.**

Art Unit: 2168

However, **De Angelis** teaches **the online document management system of claim 1, wherein said data processor is further configured to convert one or more submitted documents to a Common Readable Format (De Angelis, [0016]-[0017] and [0022], HTML file and XML file).**

Hence, it would have been obvious to one of ordinary skill in the art at the time of the invention was made to combine Ciaramitaro and Mosoi and De Angelis because **De Angelis** discloses an authoring tool in accordance with an embodiment of the present invention performs a process that converts a document to a trackable content file. The document can be generated by various kinds of applications, e.g., commercially available WordPerfect, Word, PowerPoint, Excel, Acrobat, etc. According to one embodiment, the trackable content file is stored on a content repository on an online learning network. The trackable content file communicates with a management system, and exchanges data therewith (**De Angelis**, See [0006]) can be utilized by Ciaramitaro and Mosoi to create a training environment.

Regarding claim 10, **Ciaramitaro** in view of **Mosoi** and **De Angelis** further teaches **the online document management system of claim 9, wherein said Common Readable Format is Hypertext Markup Language or Extensible Markup Language (De Angelis, [0016]-[0017] and [0022], HTML file and XML file).**

Claims 11 and 13 are rejected under pre-AIA 35 U.S.C. 103(a) as being unpatentable over **Ciaramitaro** in view of **Mosoi** as applied to claim 1 above, and further in view of Diamond et al. (US Pub. No. 2006/0282762 A1), hereinafter "**Diamond**".

Art Unit: 2168

Regarding claim 11, Ciaramitaro in view of Mosoi does not explicitly disclose **the online document management system of claim 1, wherein one or more of the editorial computers automatically assigns editors according to rules and settings of the management system.**

However, **Diamond** teaches **the online document management system of claim 1, wherein one or more of the editorial computers automatically assigns editors according to rules and settings of the management system** (See [0049], an annotation could include an option enabling a comment to be assigned to a particular individual or individuals for action or response).

Hence, it would have been obvious to one of ordinary skill in the art at the time of the invention was made to combine Ciaramitaro and Mosoi and Diamond because **Diamond** discloses a rule and setting that can pre-define in the document management system to automatically assign individual and when utilized by Ciaramitaro and Mosoi can increase efficient of the system.

Regarding claim 13, **Ciaramitaro** in view of **Mosoi** and **Diamond** further teaches **the online document management system of claim 1, wherein annotations to one or more submitted documents are made in the documents being displayed (Diamond, See [0022], The annotations can be immediately visible, in context, to all participants of the review).**

Claims 12 is rejected under pre-AIA 35 U.S.C. 103(a) as being unpatentable over **Ciaramitaro** in view of **Mosoi** as applied to claim 1 above, and further in view of Vaithilingam et al. (US Pub. No2001/0047357 A1), hereinafter “**Vaithilingam**”.

Art Unit: 2168

Regarding claim 12, Ciaramitaro in view of Mosoi does not explicitly disclose teaches **the online document management system of claim 1, wherein one or more of the editorial computers search for reviewers by taking into account the author's preferred reviewers**

However, **Vaithilingam** teaches **the online document management system of claim 1, wherein one or more of the editorial computers search for reviewers by taking into account the author's preferred reviewers** (See [0030], providing users with a selection of subjective information to choose from in their user-preference based content selection/filtering process. For example, reviewers A and B may review a movie. Based on prior experience, a user may prefer reviewer A over reviewer B for television programs and movie ratings).

Hence, it would have been obvious to one of ordinary skill in the art at the time of the invention was made to combine Ciaramitaro and Mosoi and Vaithilingam because **Vaithilingam** discloses users at a website provide details of their preferences in a certain domain, for example, buying books or music CDs. The users are then recommended certain products based on their preferences and the products purchased by other users with similar preferences (**Vaithilingam**, See [0004]) and when utilized by Ciaramitaro and Mosoi can increase user's satisfaction.

### *Conclusion*

**THIS ACTION IS MADE FINAL.** Applicant is reminded of the extension of time policy as set forth in 37 CFR 1.136(a).

A shortened statutory period for reply to this final action is set to expire **THREE MONTHS** from the mailing date of this action. In the event a first reply is filed within **TWO**

Art Unit: 2168

MONTHS of the mailing date of this final action and the advisory action is not mailed until after the end of the THREE-MONTH shortened statutory period, then the shortened statutory period will expire on the date the advisory action is mailed, and any extension fee pursuant to 37 CFR 1.136(a) will be calculated from the mailing date of the advisory action. In no event, however, will the statutory period for reply expire later than SIX MONTHS from the mailing date of this final action.

**Examiner's Note:** Examiner has cited particular columns/paragraph and line numbers in the references applied to the claims above for the convenience of the applicant. Although the specified citations are representative of the teachings of the art and are applied to specific limitations within the individual claim, other passages and figures may apply as well. It is respectfully requested from the applicant in preparing responses, to fully consider the references in entirety as potentially teaching all or part of the claimed invention, as well as the context of the passage as taught by the prior art or disclosed by the Examiner.

In the case of amending the Claimed invention, Applicant is respectfully requested to indicate the portion(s) of the specification which dictate(s) the structure relied on for proper interpretation and also to verify and ascertain the metes and bounds of the claimed invention. This will assist in expediting compact prosecution. MPEP 714.02 recites: "Applicant should also specifically point out the support for any amendments made to the disclosure. See MPEP § 2163.06. An amendment which does not comply with the provisions of 37 CFR 1.121(b), (c), (d), and (h) may be held not fully responsive. See MPEP § 714." **Amendments not pointing to specific support in the disclosure may be deemed as not complying with provisions of 37**

Art Unit: 2168

**C.F.R. 1.131(b), (c), (d), and (h) and therefore held not fully responsive.** Generic statements such as “Applicants believe no new matter has been introduced” may be deemed insufficient.


### **Contact Information**

Any inquiry concerning this communication or earlier communications from the examiner should be directed to SHIOW-JY FAN whose telephone number is (571)270-7846 and whose email address is shiow-jy.fan@uspto.gov. The examiner can normally be reached on Monday thru Thursday, 7:30am till 5:00pm, alternate Fridays off, EST..

If attempts to reach the examiner by telephone are unsuccessful, the examiner’s supervisor, Fred Ehichioya can be reached on (571) 272-4034. The fax phone number for the organization where this application or proceeding is assigned is 571-273-8300.

Information regarding the status of an application may be obtained from the Patent Application Information Retrieval (PAIR) system. Status information for published applications may be obtained from either Private PAIR or Public PAIR. Status information for unpublished applications is available through Private PAIR only. For more information about the PAIR system, see <http://pair-direct.uspto.gov>. Should you have questions on access to the Private PAIR system, contact the Electronic Business Center (EBC) at 866-217-9197 (toll-free). If you would like assistance from a USPTO Customer Service Representative or access to the automated information system, call 800-786-9199 (IN USA OR CANADA) or 571-272-1000.

/SHIOW-JY FAN/  
Primary Examiner, Art Unit 2168  
3/19/2015

<b><i>Index of Claims</i></b>  	<b>Application/Control No.</b> 13536700	<b>Applicant(s)/Patent Under Reexamination</b> LOPULALAN, ROBIN JASON
	<b>Examiner</b> SHIOW-JY FAN	<b>Art Unit</b> 2168

✓	<b>Rejected</b>
=	<b>Allowed</b>

-	<b>Cancelled</b>
÷	<b>Restricted</b>

N	<b>Non-Elected</b>
I	<b>Interference</b>

A	<b>Appeal</b>
O	<b>Objected</b>

Claims renumbered in the same order as presented by applicant
  CPA
  T.D.
  R.1.47

CLAIM		DATE							
Final	Original	11/21/2014	03/19/2015						
	1	✓	✓						
	2	✓	-						
	3	✓	-						
	4	✓	-						
	5	✓	✓						
	6	✓	✓						
	7	✓	-						
	8	✓	-						
	9	✓	✓						
	10	✓	✓						
	11	✓	✓						
	12	✓	✓						
	13	✓	✓						
	14	✓	-						
	15	✓	-						
	16	✓	-						
	17	✓	-						
	18	✓	-						
	19	✓	-						
	20	✓	-						
	21		N						
	22		N						
	23		N						
	24		N						
	25		N						
	26		N						
	27		N						
	28		N						
	29		N						
	30		N						
	31		N						
	32		N						



Docket No. 77434-40 / ELV0017PA

**PATENT**

**CERTIFICATE OF EFS ELECTRONIC TRANSMISSION**

I hereby certify that this paper is being transmitted to the United States Patent Office by the USPTO EFS web electronic filing system on February 24, 2015.

/ Anthony L. Pisano /

Anthony L. Pisano

---

**IN THE UNITED STATES PATENT & TRADEMARK OFFICE**

Application of:

Applicants : Robin Jason Lopulalan  
Serial No. : 13/536,700  
Filed : June 28, 2012  
Title : Online Peer Review System and Method  
Docket : 77434-40 / ELV0017PA  
Examiner : Shiow-Jy Fan  
Art Unit : 2168

Commissioner for Patents  
P.O. Box 1450  
Alexandria, VA 22313-1450

**AMENDMENT**

This Amendment constitutes a complete and timely response to the Non-final Office Action mailed on November 24, 2014 in the above-identified application. The following remarks are respectfully submitted.

**Amendments to the Claims** begin on page 2;

**Amendments to the Drawings** begin on page 8; and

**Remarks** begin on page 9.

## AMENDMENTS TO THE CLAIMS

This listing of claims will replace all prior versions, and listings, of claims in the application:

### Listing of Claims:

1. (Currently amended) An online document management system, comprising:  
one or more editorial computers connected to a multi-node network, said editorial computers comprising one or more program controlled data processors configured to:  
receive document submissions via said multi-node network;  
access journal database records, wherein said database records include information associated with submitted documents and user profiles; [[and]]  
migrate one or more documents between non-sister journal databases;  
create a first fingerprint of a published article in a particular journal from the journal database records;  
create a second fingerprint of an article submitted by an author;  
comparing the first fingerprint with the second fingerprint to determine whether the particular journal has articles with a high similarity; and  
recommend the particular journal to the author if the particular journal has published articles which have a high similarity.
2. (Canceled)
3. (Canceled)
4. (Canceled)
5. (Original) The online document management system of claim 1, wherein one or more of said editorial computers select one or more submitted documents and process the selected documents as a group with shared properties.
6. (Original) The online document management system of claim 5, wherein one or more of said editorial computers create a group template for the selected documents.

7. (Canceled)
8. (Canceled)
9. (Original) The online document management system of claim 1, wherein said data processor is further configured to convert one or more submitted documents to a Common Readable Format.
10. (Original) The online document management system of claim 9, wherein said Common Readable Format is Hypertext Markup Language or Extensible Markup Language.
11. (Original) The online document management system of claim 1, wherein one or more of the editorial computers automatically assigns editors according to rules and settings of the management system.
12. (Original) The online document management system of claim 1, wherein one or more of the editorial computers search for reviewers by taking into account the author's preferred reviewers.
13. (Original) The online document management system of claim 1, wherein annotations to one or more submitted documents are made in the documents being displayed.
14. (Canceled)
15. (Canceled)
16. (Canceled)
17. (Canceled)
18. (Canceled)

19. (Canceled)
20. (Canceled)
21. (New) A system for managing documents, the system comprising:  
a processing device; and  
a non-transitory, processor-readable storage medium in communication with the processing device, wherein the non-transitory, processor-readable storage medium comprises one or more programming instructions that, when executed, cause the processing device to:  
receive a first input comprising a request to initiate a waterfall process for a rejected article,  
provide a first notification of the input to a receiving journal device,  
receive a confirmation to proceed from the receiving journal device,  
transform the rejected article into a waterfalled article,  
transmit data comprising a submission to the receiving journal device,  
wherein the submission comprises the waterfalled article and metadata, and  
receive a transmission from the receiving journal device, wherein the transmission comprises an acceptance or a rejection of the submission.
22. (New) The system of claim 21, wherein the non-transitory, processor-readable storage medium further comprises one or more programming instructions that, when executed, cause the processing device to:  
receive a second input from an author of the rejected article, wherein the second input comprises a confirmation of the request to initiate the waterfall process for the rejected article, and  
transmit a second notification to the author, wherein the second notification comprises an indication that the rejected article will be waterfalled.
23. (New) The system of claim 21, wherein the non-transitory, processor-readable storage medium further comprises one or more programming instructions that, when executed, cause the processing device to, if the transmission comprises a rejection of the submission:

transmit a second notification to the author, wherein the second notification comprises the rejection and an option to continue the waterfall process with a second receiving journal, and  
if the author transmits an affirmation of the option to continue the waterfall process with a second receiving journal:

transmit one or more journal recommendations to the author, and  
receive a transmission comprising a selection of the second receiving journal from the author.

24. (New) The system of claim 22, wherein the one or more journal recommendations comprise one or more potential receiving journals that contain articles with a high similarity with the waterfalled article.

25. (New) The system of claim 21, wherein the non-transitory, processor-readable storage medium further comprises one or more programming instructions that, if executed, cause the processing device to, if the transmission comprises an acceptance of the submission:

assign a submission ID to the waterfalled article,  
determine whether the receiving journal device requires additional information, and  
if the receiving journal device requires additional information, query the author to obtain the additional information.

26. (New) The system of claim 21, wherein the non-transitory, processor-readable storage medium further comprises one or more programming instructions that, if executed, cause the processing device to, if a request is received for additional information from the receiving journal device:

query the author for the additional information, and  
if the author responds to the query with the additional information, assign a system ID and a file ID to the additional information, generate a common readable format (CRF) file, and transmit the system ID.

27. (New) A method for managing documents, the method comprising:

receiving, by a processing device, a first input comprising a request to initiate a waterfall process for a rejected article,

providing, by the processing device, a first notification of the input to a receiving journal device,  
receiving, by the processing device, a confirmation to proceed from the receiving journal device,  
transforming, by the processing device, the rejected article into a waterfalled article,  
transmitting, by the processing device, data comprising a submission to the receiving journal device, wherein the submission comprises the waterfalled article and metadata, and  
receiving, by the processing device, a transmission from the receiving journal device, wherein the transmission comprises an acceptance or a rejection of the submission.

28. (New) The method of claim 27, further comprising:

receiving, by the processing device, a second input from an author of the rejected article, wherein the second input comprises a confirmation of the request to initiate the waterfall process for the rejected article, and

transmitting, by the processing device, a second notification to the author, wherein the second notification comprises an indication that the rejected article will be waterfalled.

29. (New) The method of claim 27, further comprising, if the transmission comprises a rejection of the submission:

transmitting, by the processing device, a second notification to the author, wherein the second notification comprises the rejection and an option to continue the waterfall process with a second receiving journal, and

if the author transmits an affirmation of the option to continue the waterfall process with a second receiving journal:

transmitting, by the processing device, one or more journal recommendations to the author, and

receiving, by the processing device, a transmission comprising a selection of the second receiving journal from the author.

30. (New) The method of claim 29, wherein the one or more journal recommendations comprise one or more potential receiving journals that contain articles with a high similarity with the waterfalled article.

31. (New) The method of claim 27, further comprising, if the transmission comprises an acceptance of the submission:

assigning, by the processing device, a submission ID to the waterfalled article,  
determining, by the processing device, whether the receiving journal device requires additional information, and

if the receiving journal device requires additional information, querying, by the processing device, the author to obtain the additional information.

32. (New) The method of claim 27, further comprising, if a request is received for additional information from the receiving journal device:

querying, by the processing device, the author for the additional information, and  
if the author responds to the query with the additional information, assigning, by the processing device, a system ID and a file ID to the additional information, generate a common readable format (CRF) file, and transmit the system ID.

**AMENDMENTS TO THE DRAWINGS**

Please replace all of the drawing sheets with the replacement drawing sheets submitted herewith. Support for the amendments to the drawing sheets may be found in the Specification, Claims and Drawings as originally filed.



### **REMARKS**

Applicant would like to thank the Examiner for the substantive review provided in this application. In the Office Action, the Office objected to the drawings and rejected all pending claims. More particularly:

- The drawings are rejected under 37 CFR 1.121(d).
- Claims 1, 5-6, 14 and 18 are rejected under pre-AIA 35 U.S.C. §102(b) as being anticipated by U.S. Patent Application Publication No. 2005/0004951 to Ciaramitaro et al. (“Ciaramitaro”).
- Claims 2-3 and 15-16 are rejected under pre-AIA 35 U.S.C. §103(a) as being unpatentable over Ciaramitaro as applied to claims 1 and 14, and further in view of U.S. Patent Application Publication No. 2011/0072013 to Mosoi et al. (“Mosoi”).
- Claims 4, 7-10, 17 and 19 are rejected under pre-AIA 35 U.S.C. §103(a) as being unpatentable over Ciaramitaro as applied to claims 1 and 14, and further in view of U.S. Patent Application Publication No. 2011/0072013 to De Angelis et al. (“De Angelis”).
- Claims 11, 13 and 20 are rejected under pre-AIA 35 U.S.C. §103(a) as being unpatentable over Ciaramitaro as applied to claims 1 and 14, and further in view of U.S. Patent Application Publication No. 2006/0282762 to Diamond et al. (“Diamond”).
- Claim 12 is rejected under pre-AIA 35 U.S.C. §103(a) as being unpatentable over Ciaramitaro as applied to claims 1 and 14, and further in view of U.S. Patent Application Publication No. 2001/0047357 to Vaithilingam et al. (“Vaithilingam”).

Claim 1 has been amended to incorporate the subject matter of claims 2 and 3. Accordingly, claims 2 and 3 have been canceled, along with claims 4, 7-8, and 14-20. In addition, claims 21-32 are new. Support for the new claims can be found in the specification, figures, and claims as originally filed, at least at paragraphs [0053]-[0056]. It is believed that no new matter has been entered through these amendments and entry is respectfully requested.

### **Objections to the Drawings**

The drawings have been objected to as failing to comply with 37 CFR 1.121(d). Replacement drawing sheets placing the drawings in compliance with 37 CFR 1.121(d) and correcting the informalities identified by the Examiner are submitted herewith. Accordingly, it is respectfully requested that the objections be withdrawn.

**Rejections under 35 U.S.C. § 103(a)**

Because the subject matter of claims 2 and 3 have been incorporated into claim 1, the rejections of claims 2 and 3 will be discussed herein with respect to claim 1.

In the present application, the Office has failed to present any type of rationale that would be sufficient to supporting a rejection under 35 U.S.C. §103. MPEP § 2143 states that “[t]he key to supporting any rejection under 35 U.S.C. 103 is the clear articulation of the reason(s) why the claimed invention would have been obvious. The Supreme Court in *KSR* noted that the analysis supporting a rejection under 35 U.S.C. 103 should be made explicit” Thus, the MPEP requires that a rationale be provided in order to support a conclusion of obviousness.

The Office merely states that “it would have been obvious... to combine Ciaramitaro and Mosoi because Mosoi discloses a dynamic user profile for a user is determined. The dynamic user profile is based on one or more fingerprints of viewed documents by the user. One or more relevant documents are determined based on the dynamic user profile and the fingerprints of documents in the system. A list of the one or more relevant documents is then provided to the user...which can be utilized by Ciaramitaro to recommend the similar documents to the author who submitted similar article and to increase user satisfaction rate.” Such a rationale is wholly unrelated to the purpose disclosed in Ciaramitaro, which discloses sorting documents into privileged and non-privileged groups. *See* Ciaramitaro at Abstract.

Accordingly, the rejection lacks a clear articulation of the reasons why the features recited in claim 1 would allegedly have been obvious. Therefore, the rejection cannot be supported per the requirements set forth by the United States Supreme Court in the *KSR* decision. Thus, it is respectfully submitted that the rejection is improper and must be withdrawn.

Even if it is assumed, *arguendo*, that an appropriate rejection under §103 has been made, independent claim 1 is nonobvious over Ciaramitaro in view of Mosoi because the cited references, whether considered alone or in combination, fail to teach or suggest each and every recitation of claim 1. *See* MPEP §2143. More particularly, the combination of Ciaramitaro and Mosoi fails to teach or suggest at least the following recitations of claim 1:

- create a first fingerprint of a published article in a particular journal from the journal database records;
- create a second fingerprint of an article submitted by an author;
- comparing the first fingerprint with the second fingerprint to determine whether the particular journal has articles with a high similarity; and
- recommend the particular journal to the author if the particular journal has published articles which have a high similarity.

Ciaramitaro discloses a system and method for electronically managing privileged and non-privileged documents in two independent schema for litigation support. *See* Ciaramitaro at Abstract and [0002]. One schema is a privileged schema for storing privileged documents and another schema is a non-privileged schema for storing non-privileged documents such that the privileged and non-privileged documents are not commingled and can be access controlled. *See id.* at [0006].

Mosoi discloses a system and method for fast computation of content recommendation. *See* Mosoi at Abstract. Mosoi further discloses that a user profile is determined for a user, where the profile is based on one or more fingerprints of documents viewed by the user. *See id.* at [0016]. The system and method can determine relevant documents based on the determined user profile. *See id.*

The Office admits that Ciaramitaro does not disclose programming operable to recommend a journal to an author if the journal has published articles which have a high similarity with an article submitted by the author. *See* Office Action at 7. Applicant agrees and does not contest the Office's admission.

However, Mosoi fails to remedy the deficiencies of Ciaramitaro. Particularly, a person having ordinary skill in the art would never be motivated to combine the teachings of Mosoi with the teachings of Ciaramitaro. Ciaramitaro discloses sorting documents into privileged and non-privileged groups, whereas Mosoi discloses determining relevant documents based on documents that have been viewed by a user. Such a determination as disclosed by Mosoi would not further the purpose of sorting documents into privileged and non-privileged groups, as disclosed in Ciaramitaro. Indeed, Mosoi discloses that the determination is based on keywords (*See* Mosoi at [0053] and [0059]-[0060]), and such keywords might appear in both privileged and non-privileged documents.

As previously described herein, Ciaramitaro discloses that the documents are not commingled and can be access controlled. *See* Ciaramitaro at [0006]. Such a combination of Mosoi and Ciaramitaro would frustrate the purpose of the system and method disclosed in Ciaramitaro. MPEP §2143.01(V) states “[i]f proposed modification would render the prior art invention being modified unsatisfactory for its intended purpose, then there is no suggestion or motivation to make the proposed modification. In re Gordon, 733 F.2d 900, 221 USPQ 1125 (Fed. Cir. 1984).” MPEP §2143.01(V) also states “[i]f the proposed modification or combination of the prior art would change the principle of operation of the prior art invention

being modified, then the teachings of the references are not sufficient to render the claims prima facie obvious. In re Ratti, 270 F.2d 810, 123 USPQ 349 (CCPA 1959).”

Since the addition of the disclosure of Mosoi would allow users to see documents in both privileged and non-privileged groups (as keywords would show up for both groups), such a combination would frustrate the purpose of Ciaramitaro because the privileged and non-privileged documents would become commingled and could not be access controlled. *See* Ciaramitaro at [0006]. As such, Applicant respectfully submits that a person of ordinary skill in the art would not have a reason to combine these features. In addition, the combination thereof would frustrate the principle of operation of Ciaramitaro.

Therefore, for at least the reasons set forth herein, claim 1 is nonobvious over Ciaramitaro in view of Mosoi. Because claims 5-6 and 9-13 depend from and incorporate all of the recitations of claim 1, claims 5-6 and 9-13 are likewise nonobvious over Ciaramitaro in view of Mosoi. *See* MPEP §2143.03 (stating that if an independent claim is nonobvious under 35 U.S.C. §103, then any claim depending therefrom is nonobvious). Accordingly, Applicant respectfully requests that the rejections associated with claims 1, 5-6, and 9-13 be withdrawn.

### **New Claims**

New independent claims 21 and 27 are directed to a system and a method, respectively, of managing documents that includes the processes of receiving a request to initiate a waterfall process for a rejected article and transforming the rejected article into a waterfalled article, among other processes. None of the cited references teach or suggest systems and methods of managing documents that includes receiving a request to initiate a waterfall process for a rejected article and transforming the rejected article into a waterfalled article.

For at least these reasons, Applicant respectfully submits that independent claims 21 and 27 are patentable over the cited references, either alone or in combination. Because new dependent claims 22-26 and 28-32 depend from and incorporate all of the recitations of claims 21 and 27, respectively, claims 22-26 and 28-32 are likewise nonobvious over the cited references. *See* MPEP §2143.03.

**Conclusion**

In view of the above remarks, Applicant respectfully submits that the application is now in condition for allowance. The Examiner is encouraged to contact the undersigned to resolve efficiently any formal matters or to discuss any aspects of the application or of this response. Otherwise, early notification of allowable subject matter is respectfully requested.

No additional fees are believed to be due. However, the Director is hereby authorized to charge all required fees (including any extension of time fees) and to credit any overpayment of fees in this and any concurrent or future correspondence to Deposit Account No. 041133.

Respectfully submitted,

/Anthony L. Pisano/  
**Anthony L. Pisano**  
**Registration No. 65,098**  
Attorney for Assignee  
DINSMORE & SHOHL LLP  
Suite 1900  
255 East Fifth Street  
Cincinnati, Ohio 45202  
(513) 977-8438

## Electronic Acknowledgement Receipt

<b>EFS ID:</b>	21578961
<b>Application Number:</b>	13536700
<b>International Application Number:</b>	
<b>Confirmation Number:</b>	4371
<b>Title of Invention:</b>	Online Peer Review System and Method
<b>First Named Inventor/Applicant Name:</b>	Robin Jason Lopulalan
<b>Customer Number:</b>	24256
<b>Filer:</b>	Anthony Laurence Pisano/christopher loeckel
<b>Filer Authorized By:</b>	Anthony Laurence Pisano
<b>Attorney Docket Number:</b>	77434-40 / ELV0017PA
<b>Receipt Date:</b>	24-FEB-2015
<b>Filing Date:</b>	28-JUN-2012
<b>Time Stamp:</b>	11:03:17
<b>Application Type:</b>	Utility under 35 USC 111(a)

### Payment information:

Submitted with Payment	no
------------------------	----

### File Listing:

Document Number	Document Description	File Name	File Size(Bytes)/ Message Digest	Multi Part /.zip	Pages (if appl.)
1	Drawings-only black and white line drawings	Drawings.pdf	137567 374097bb8b8652c4b5b84976f4cc2a84e3108dba	no	11

### Warnings:

### Information:

2	Response.pdf	50219	yes	13
		3a8e845ba26e8754b45065994017278a633ad754		

<b>Multipart Description/PDF files in .zip description</b>			
<b>Document Description</b>		<b>Start</b>	<b>End</b>
Amendment/Req. Reconsideration-After Non-Final Reject		1	1
Claims		2	7
Drawings-only black and white line drawings		8	8
Applicant Arguments/Remarks Made in an Amendment		9	13

**Warnings:**

**Information:**

<b>Total Files Size (in bytes):</b>	187786
-------------------------------------	--------

**This Acknowledgement Receipt evidences receipt on the noted date by the USPTO of the indicated documents, characterized by the applicant, and including page counts, where applicable. It serves as evidence of receipt similar to a Post Card, as described in MPEP 503.**

**New Applications Under 35 U.S.C. 111**  
**If a new application is being filed and the application includes the necessary components for a filing date (see 37 CFR 1.53(b)-(d) and MPEP 506), a Filing Receipt (37 CFR 1.54) will be issued in due course and the date shown on this Acknowledgement Receipt will establish the filing date of the application.**

**National Stage of an International Application under 35 U.S.C. 371**  
**If a timely submission to enter the national stage of an international application is compliant with the conditions of 35 U.S.C. 371 and other applicable requirements a Form PCT/DO/EO/903 indicating acceptance of the application as a national stage submission under 35 U.S.C. 371 will be issued in addition to the Filing Receipt, in due course.**

**New International Application Filed with the USPTO as a Receiving Office**  
**If a new international application is being filed and the international application includes the necessary components for an international filing date (see PCT Article 11 and MPEP 1810), a Notification of the International Application Number and of the International Filing Date (Form PCT/RO/105) will be issued in due course, subject to prescriptions concerning national security, and the date shown on this Acknowledgement Receipt will establish the international filing date of the application.**

REGISTRATION / DEACTIVATION

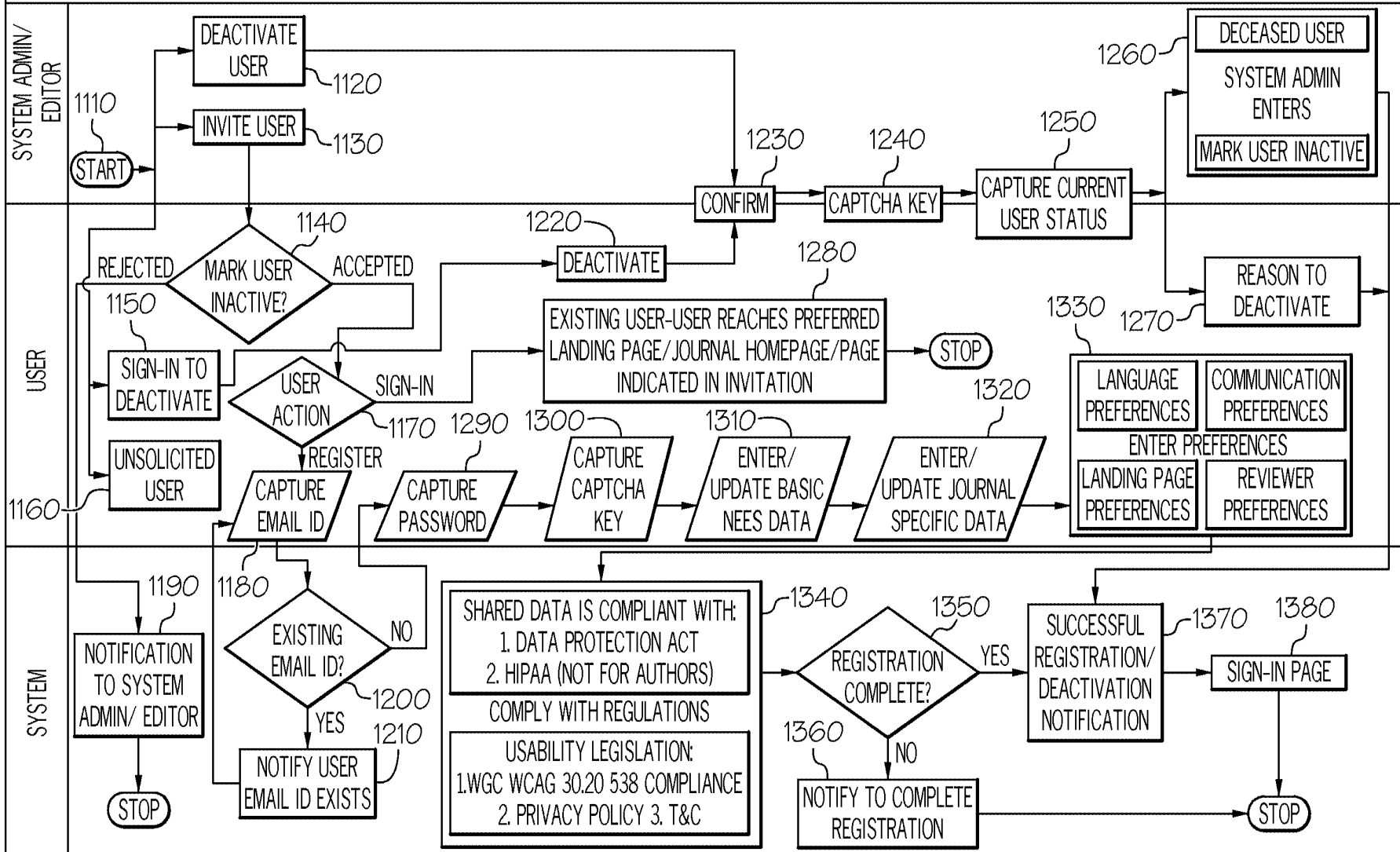
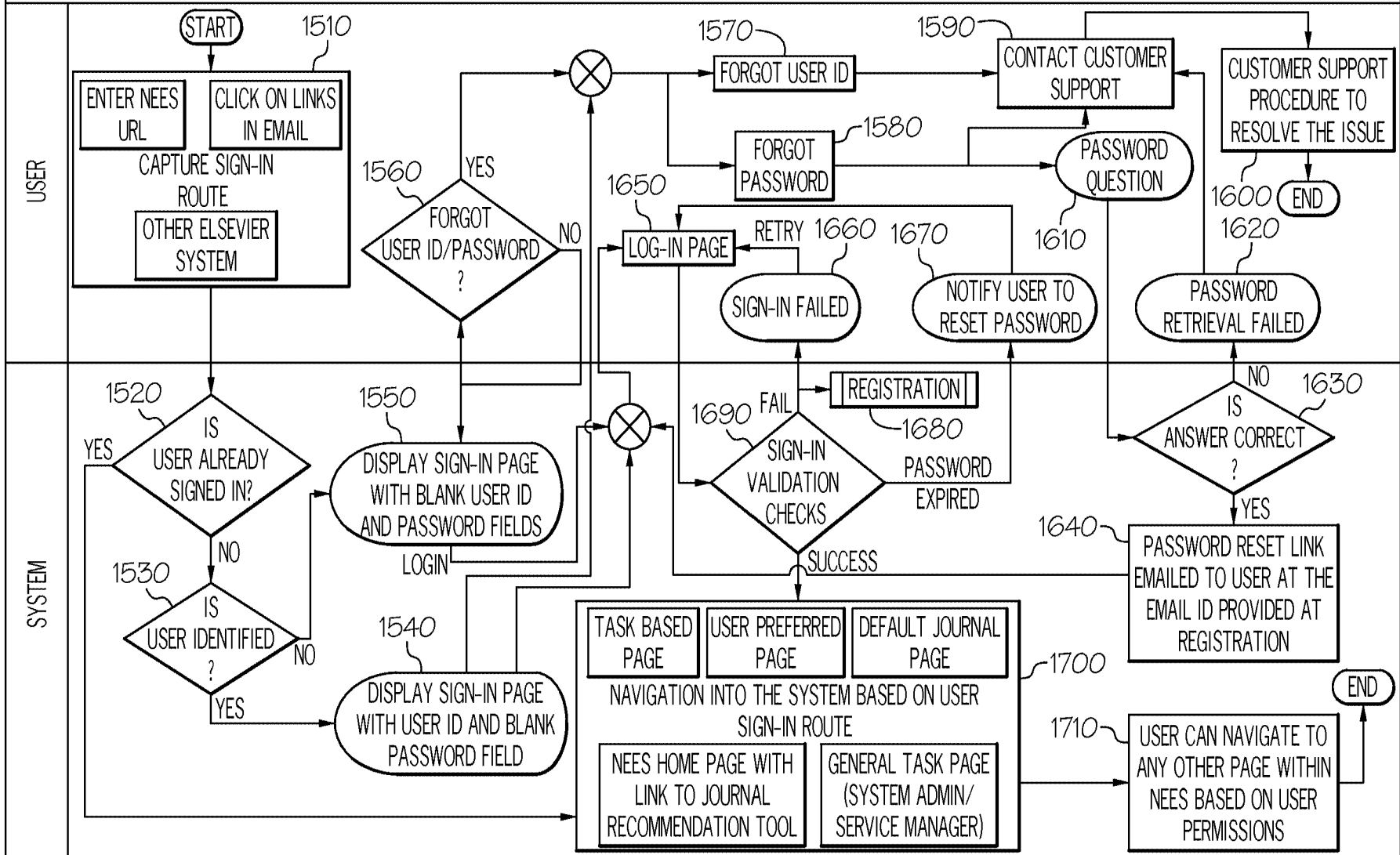


FIG. 1



SIGN-IN



2 / 11

REPLACEMENT SHEET

FIG. 2

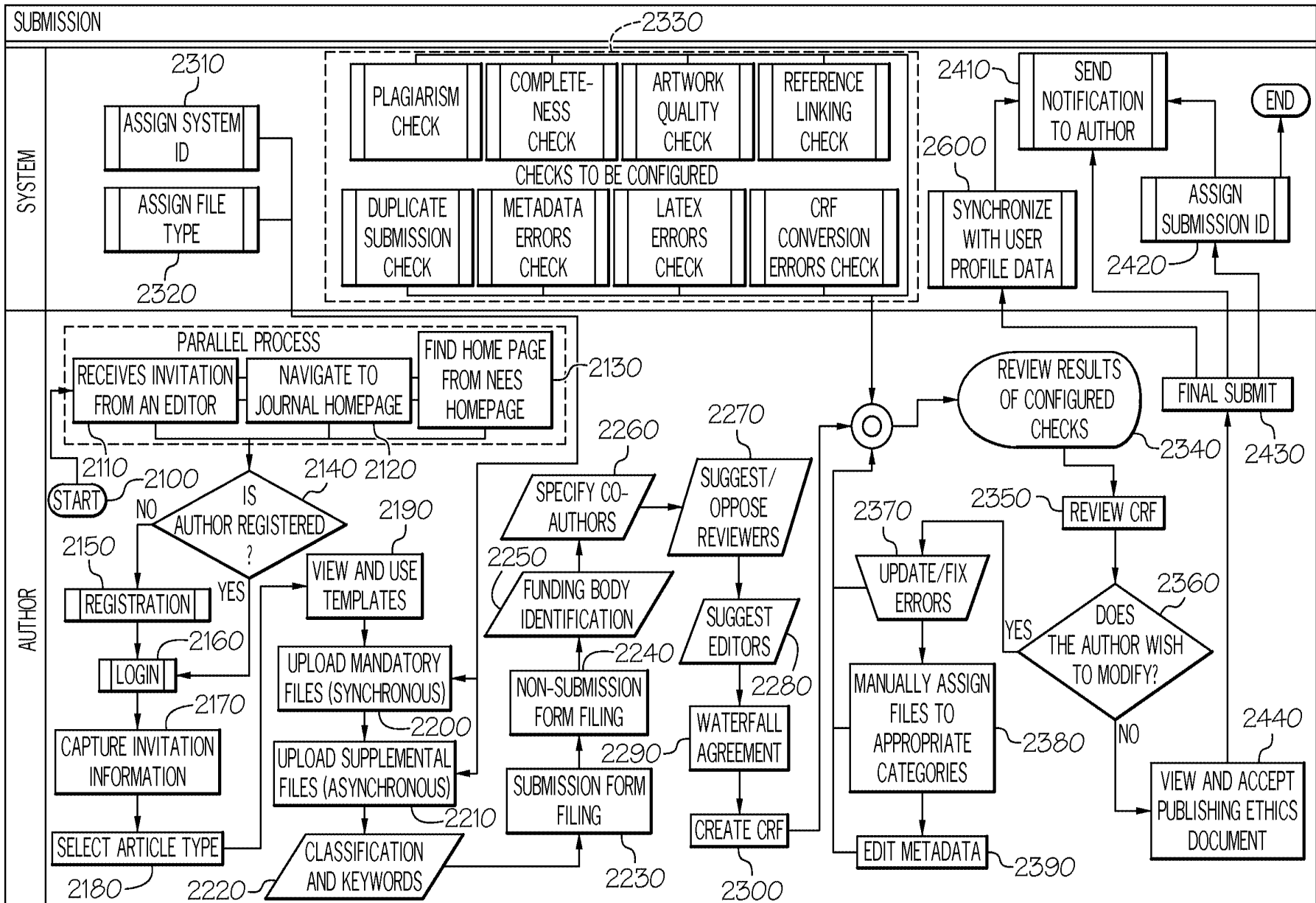


FIG. 3

EDITORIAL PREPARATION

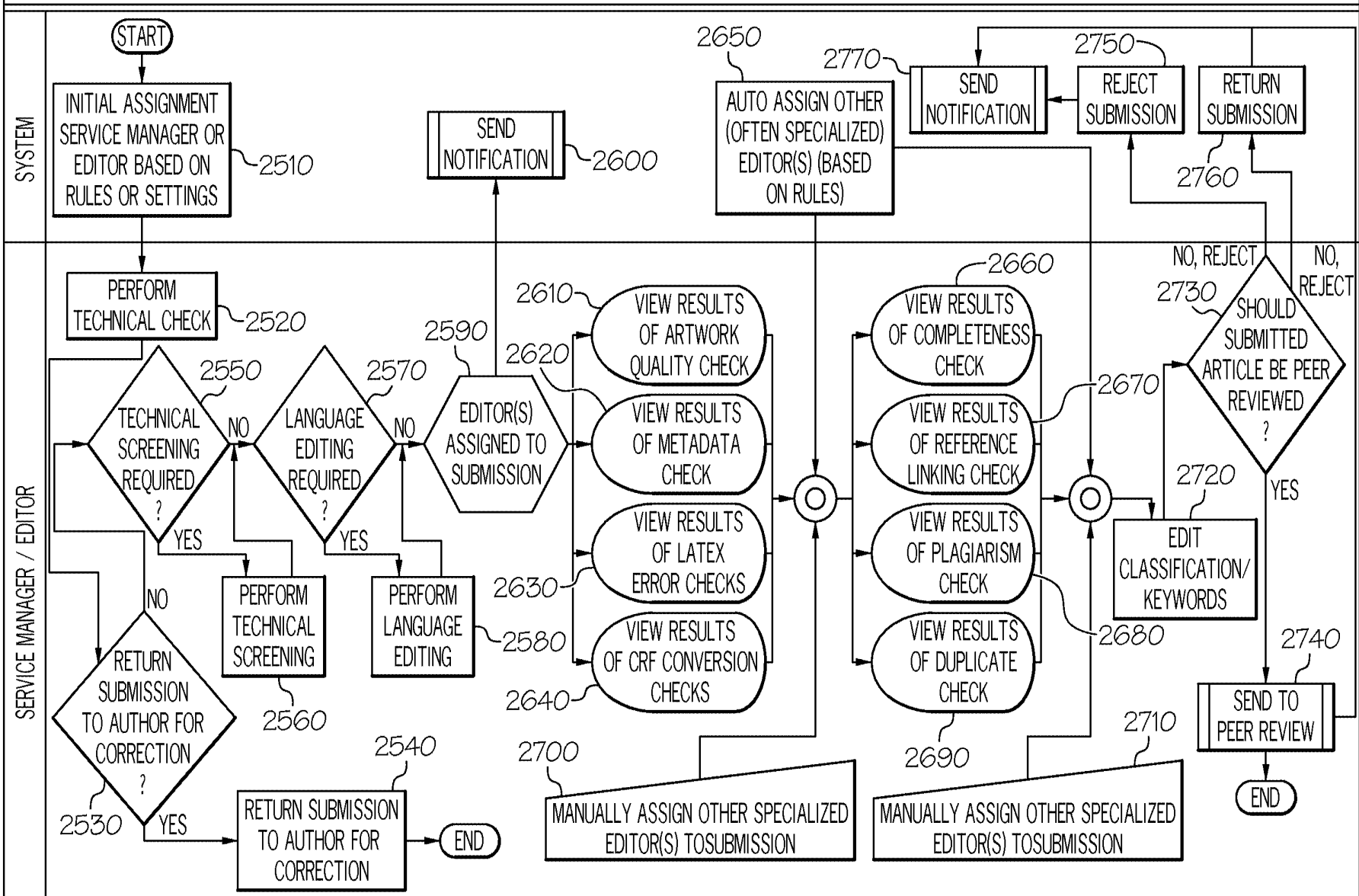


FIG. 4

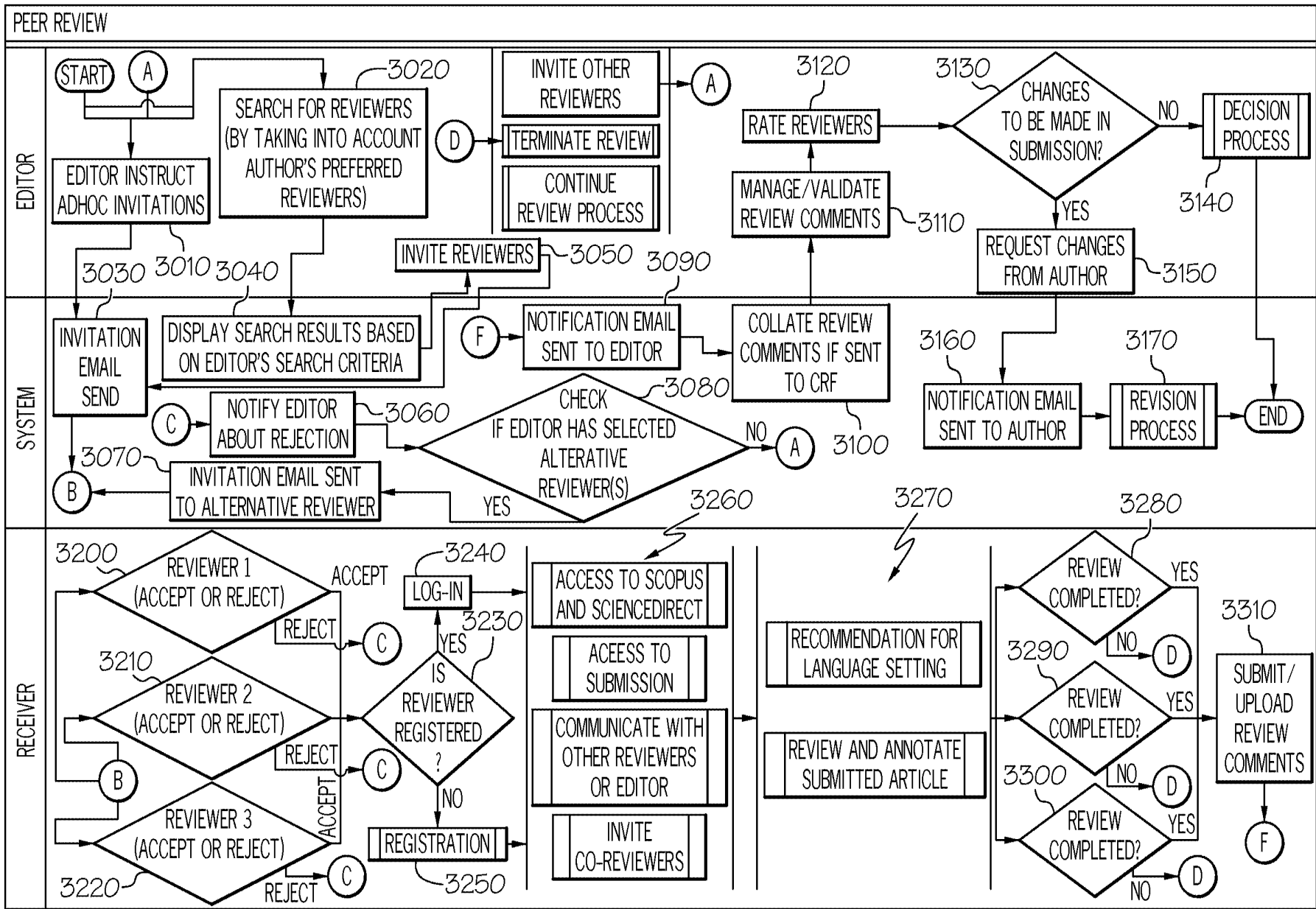


FIG. 5

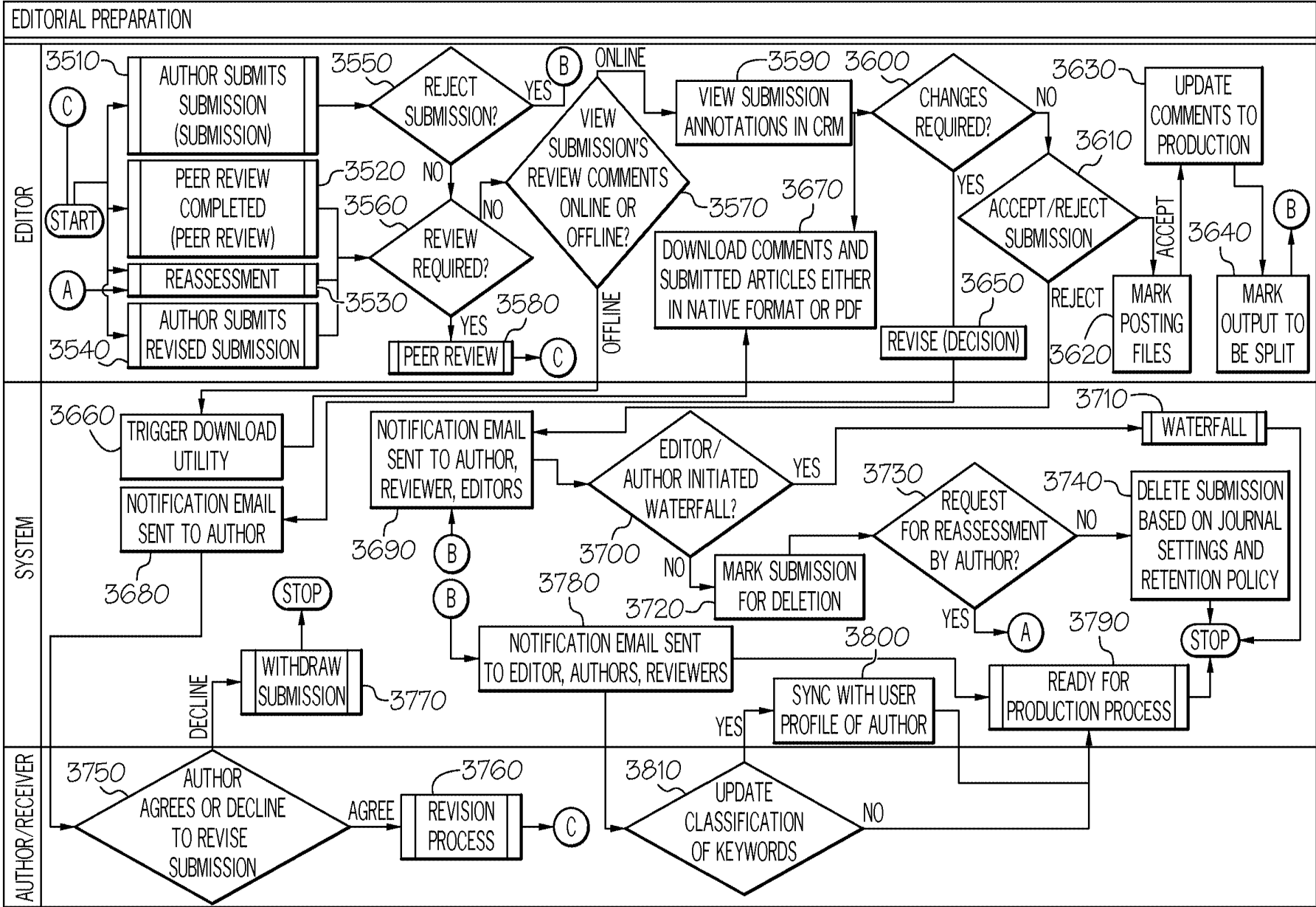


FIG. 6

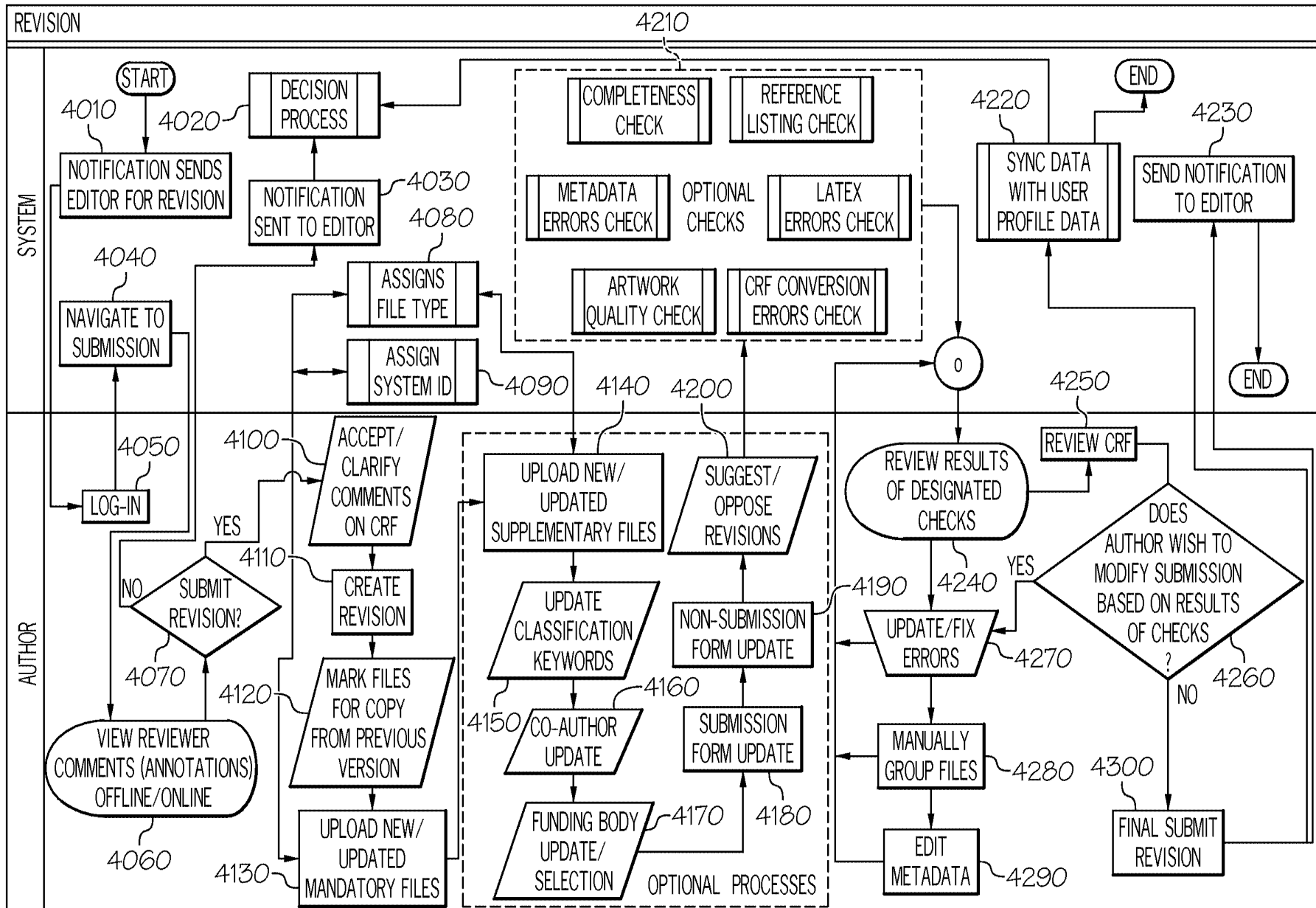
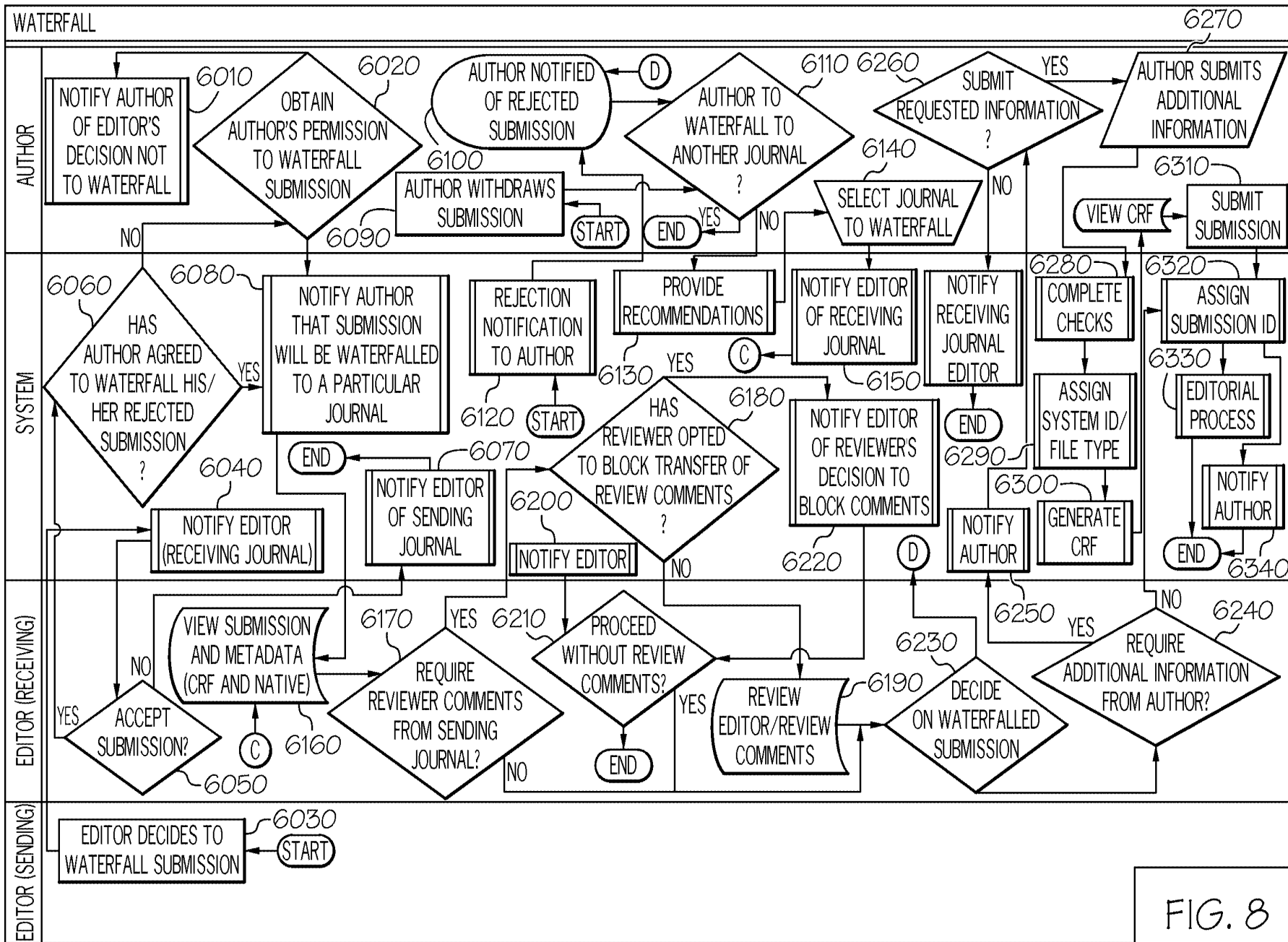


FIG. 7



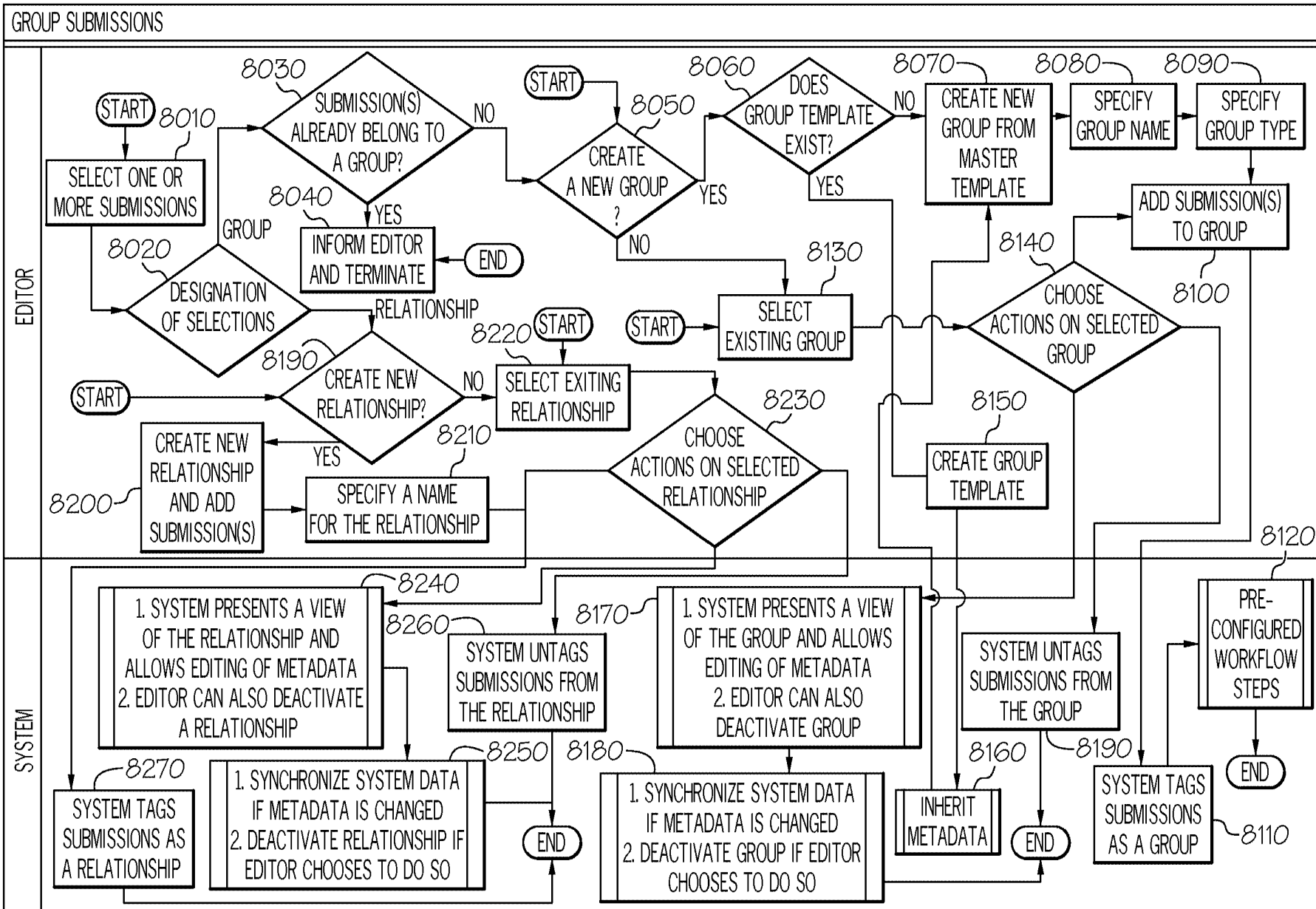


FIG. 9



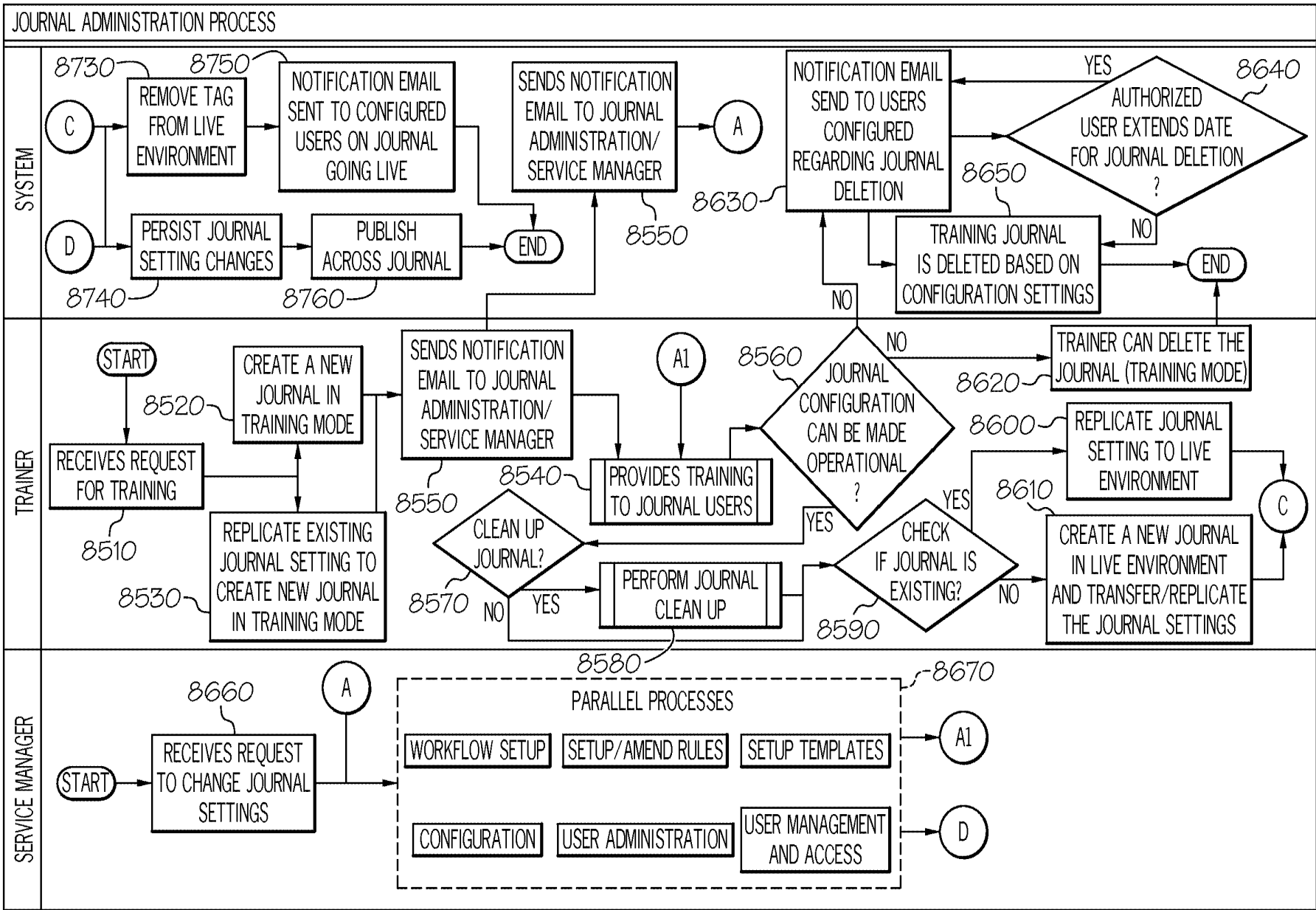


FIG. 10

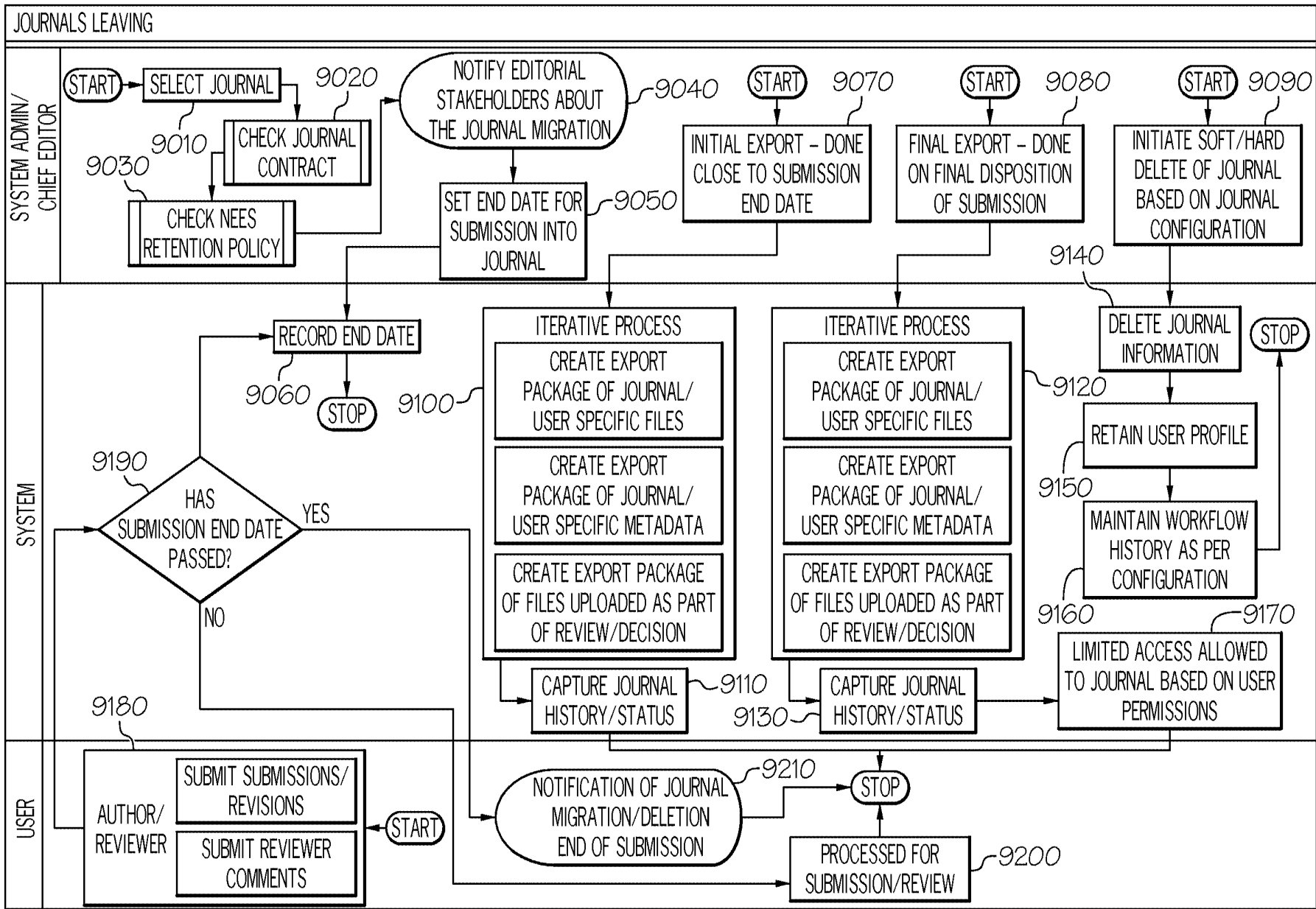


FIG. 11



UNITED STATES PATENT AND TRADEMARK OFFICE

UNITED STATES DEPARTMENT OF COMMERCE  
United States Patent and Trademark Office  
Address: COMMISSIONER FOR PATENTS  
P.O. Box 1450  
Alexandria, Virginia 22313-1450  
www.uspto.gov

APPLICATION NO.	FILING DATE	FIRST NAMED INVENTOR	ATTORNEY DOCKET NO.	CONFIRMATION NO.
13/536,700	06/28/2012	Robin Jason Lopulalan	77434-40 / ELV0017PA	4371
24256	7590	11/24/2014	EXAMINER	
DINSMORE & SHOHL LLP 255 East Fifth Street, Suite 1900 CINCINNATI, OH 45202			FAN, SHIOW-JY	
			ART UNIT	PAPER NUMBER
			2168	
			MAIL DATE	DELIVERY MODE
			11/24/2014	PAPER

**Please find below and/or attached an Office communication concerning this application or proceeding.**

The time period for reply, if any, is set in the attached communication.

<b>Office Action Summary</b>	<b>Application No.</b> 13/536,700	<b>Applicant(s)</b> LOPULALAN, ROBIN JASON	
	<b>Examiner</b> SHIOW-JY FAN	<b>Art Unit</b> 2168	<b>AIA (First Inventor to File) Status</b> No

**-- The MAILING DATE of this communication appears on the cover sheet with the correspondence address --**

**Period for Reply**

A SHORTENED STATUTORY PERIOD FOR REPLY IS SET TO EXPIRE 3 MONTHS FROM THE MAILING DATE OF THIS COMMUNICATION.

- Extensions of time may be available under the provisions of 37 CFR 1.136(a). In no event, however, may a reply be timely filed after SIX (6) MONTHS from the mailing date of this communication.
- If NO period for reply is specified above, the maximum statutory period will apply and will expire SIX (6) MONTHS from the mailing date of this communication.
- Failure to reply within the set or extended period for reply will, by statute, cause the application to become ABANDONED (35 U.S.C. § 133). Any reply received by the Office later than three months after the mailing date of this communication, even if timely filed, may reduce any earned patent term adjustment. See 37 CFR 1.704(b).

**Status**

- 1)  Responsive to communication(s) filed on 6/28/2012.  
 A declaration(s)/affidavit(s) under **37 CFR 1.130(b)** was/were filed on \_\_\_\_\_.
- 2a)  This action is **FINAL**.                                  2b)  This action is non-final.
- 3)  An election was made by the applicant in response to a restriction requirement set forth during the interview on \_\_\_\_\_; the restriction requirement and election have been incorporated into this action.
- 4)  Since this application is in condition for allowance except for formal matters, prosecution as to the merits is closed in accordance with the practice under *Ex parte Quayle*, 1935 C.D. 11, 453 O.G. 213.

**Disposition of Claims\***

- 5)  Claim(s) 1-20 is/are pending in the application.  
5a) Of the above claim(s) \_\_\_\_\_ is/are withdrawn from consideration.
- 6)  Claim(s) \_\_\_\_\_ is/are allowed.
- 7)  Claim(s) 1-20 is/are rejected.
- 8)  Claim(s) \_\_\_\_\_ is/are objected to.
- 9)  Claim(s) \_\_\_\_\_ are subject to restriction and/or election requirement.

\* If any claims have been determined allowable, you may be eligible to benefit from the **Patent Prosecution Highway** program at a participating intellectual property office for the corresponding application. For more information, please see [http://www.uspto.gov/patents/init\\_events/pph/index.jsp](http://www.uspto.gov/patents/init_events/pph/index.jsp) or send an inquiry to [PPHfeedback@uspto.gov](mailto:PPHfeedback@uspto.gov).

**Application Papers**

- 10)  The specification is objected to by the Examiner.
- 11)  The drawing(s) filed on 6/28/2012 is/are: a)  accepted or b)  objected to by the Examiner.  
Applicant may not request that any objection to the drawing(s) be held in abeyance. See 37 CFR 1.85(a).  
Replacement drawing sheet(s) including the correction is required if the drawing(s) is objected to. See 37 CFR 1.121(d).

**Priority under 35 U.S.C. § 119**

- 12)  Acknowledgment is made of a claim for foreign priority under 35 U.S.C. § 119(a)-(d) or (f).

**Certified copies:**

- a)  All    b)  Some\*\*    c)  None of the:
  1.  Certified copies of the priority documents have been received.
  2.  Certified copies of the priority documents have been received in Application No. \_\_\_\_\_.
  3.  Copies of the certified copies of the priority documents have been received in this National Stage application from the International Bureau (PCT Rule 17.2(a)).

\*\* See the attached detailed Office action for a list of the certified copies not received.

**Attachment(s)**

- 1)  Notice of References Cited (PTO-892)
- 2)  Information Disclosure Statement(s) (PTO/SB/08a and/or PTO/SB/08b)  
Paper No(s)/Mail Date \_\_\_\_\_.
- 3)  Interview Summary (PTO-413)  
Paper No(s)/Mail Date. \_\_\_\_\_.
- 4)  Other: \_\_\_\_\_.

Art Unit: 2168

The present application is being examined under the pre-AIA first to invent provisions.

### **DETAILED ACTION**

- a. This action is responsive to remarks and amendment filed on 6/28/2012.
- b. Claims 1-20 are pending in this Office Action. Claims 1 and 14 are independent claims.

### **Remarks**

The claims and only the claims form the metes and bounds of the invention will be addressed. "Office personnel are to give claims their broadest reasonable interpretation in light of the supporting disclosure. In re Morris, 127 F.3d 1048, 1054-55, 44 USPQ2d 1023, 1027-28 (Fed. Cir. 1997). Limitations appearing in the specification but not recited in the claim are not read into the claim. In re Prater, 415 F.2d 1393, 1404-05, 162 USPQ 541, 550-551 (CCPA 1969)" (MPEP p 2100-8, c 2, I 45-48; p 2100-9, c 1, I 1-4). The Examiner has full latitude to interpret each claim in the broadest reasonable interpretation in light of the specification. See MPEP 2111 [R-1]. The Examiner will reference prior art using terminology familiar to one of ordinary skill in the art. Such an approach is broad in concept and can be either explicit or implicit in meaning.

### ***Drawings***

The informal drawings are not of sufficient quality to permit examination. Accordingly, replacement drawing sheets in compliance with 37 CFR 1.121(d) are required in reply to this

Art Unit: 2168

Office action. The replacement sheet(s) should be labeled "Replacement Sheet" in the page header (as per 37 CFR 1.84(c)) so as not to obstruct any portion of the drawing figures. If the changes are not accepted by the examiner, the applicant will be notified and informed of any required corrective action in the next Office action.

Applicant is given a THREE MONTH time period to submit new drawings in compliance with 37 CFR 1.81. Extensions of time may be obtained under the provisions of 37 CFR 1.136(a). Failure to timely submit replacement drawing sheets will result in ABANDONMENT of the application.

### ***Claim Rejections - 35 USC § 102***

The following is a quotation of the appropriate paragraphs of pre-AIA 35 U.S.C. 102 that form the basis for the rejections under this section made in this Office action:

A person shall be entitled to a patent unless –

(b) the invention was patented or described in a printed publication in this or a foreign country or in public use or on sale in this country, more than one year prior to the date of application for patent in the United States.

Claims 1, 5-6, 14 and 18 are rejected under pre-AIA 35 U.S.C. 102(b) as being anticipated by Ciaramitaro et al. (US Pub. No. 2005/0004951 A1), hereinafter "**Ciaramitaro**".

Regarding claim 1, **Ciaramitaro** teaches an online document management system, comprising: one or more editorial computers connected to a multi-node network, said editorial computers comprising

Art Unit: 2168

**one or more program controlled data processors** (See Figure 1 element 104 Host system) **configured to:**

**receive document submissions via said multi-node network** (See [0024] and Figure 1, The host system 104 depicted in FIG. 1 may be implemented using one or more servers operating in response to a computer program stored in a storage medium accessible by the server. The host system 104 may operate as a network server (e.g., a web server) to communicate with the user system 102. The host system 104 handles sending and receiving information to and from the user system 102 and can perform associated tasks);

**access journal database records, wherein said database records include information associated with submitted documents and user profiles** (See [0023], [0027], [0030]-[0031] and [0033], each schema contains its own database entities (e.g., tables, views, and triggers), entity relationships, data, access and security restrictions. [0054], in this manner, a user may log into the privileged schema 208 and access the partially privileged document through the same folder structure as that in the non-privileged schema 210); **and**

**migrate one or more documents between non-sister journal databases** (See [0051], When the modification is applied in the non-privileged schema, these functions include migrating relevant data from document and document-related entities in the non-privileged schema 210 to the privileged schema 208).

Art Unit: 2168

Regarding claim 5, **Ciaramitaro** further teaches **the online document management system of claim 1, wherein one or more of said editorial computers select one or more submitted documents and process the selected documents as a group with shared properties** (See [0023], a several related documents may be grouped together as a composite document such that the composite document may be treated as a single grouped document or each as individual documents in the LSA that can be separately or individually reviewed for document decisions).

Regarding claim 6, further teaches **the online document management system of claim 5, wherein one or more of said editorial computers create a group template for the selected documents** (See [0026], A privileged document 202 is a document where the entire contents of the document are privileged. A non-privileged document 204 is a document containing no privileged information, or content. A partially privileged document 206 is a document where portions of the document content are non-privileged and other portions of the document are privileged).

Regarding claim 14, **Ciaramitaro** teaches a computer-implemented method of online document management, comprising:

**receiving documents via said multi-node network from said one or more user computers** (See [0024] and Figure 1, The host system 104 depicted in FIG. 1 may be implemented using one or more servers operating in response to a computer program stored in a storage medium accessible by the server. The host system 104 may operate as



Art Unit: 2168

a network server (e.g., a web server) to communicate with the user system 102. The host system 104 handles sending and receiving information to and from the user system 102 and can perform associated tasks);

**storing said received documents in a non-transitory computer readable medium**

(See [0022], Within each schema are one or more databases and associated database tables for storing documents and other discovery related data);

**accessing journal database records, wherein said database records include**

**information associated with submitted documents and user profiles** (See [0023], [0027],

[0030]-[0031] and [0033], Each schema contains its own database entities (e.g., tables, views,

and triggers), entity relationships, data, access and security restrictions. [0054], In this manner, a

user may log into the privileged schema 208 and access the partially privileged document

through the same folder structure as that in the non-privileged schema 210);

**receiving via said multi-node network comments regarding said received documents**

**from one or more computers operated by one or more reviewers** (See [0037] and Figure 4,

The user saves the proposed modification to the database through a save command); **and**

**migrating via a data processor one or more submitted documents between non-**

**sister journal databases** (See [0051], When the modification is applied in the non-privileged

schema, these functions include migrating relevant data from document and document-related

entities in the non-privileged schema 210 to the privileged schema 208).

Regarding claim 18, the instant claim is method claim which corresponds to the system claim 5 above, therefore it is rejected for the same reason as set forth above.

Art Unit: 2168

***Claim Rejections - 35 USC § 103***

The following is a quotation of pre-AIA 35 U.S.C. 103(a) which forms the basis for all obviousness rejections set forth in this Office action:

(a) A patent may not be obtained though the invention is not identically disclosed or described as set forth in section 102 of this title, if the differences between the subject matter sought to be patented and the prior art are such that the subject matter as a whole would have been obvious at the time the invention was made to a person having ordinary skill in the art to which said subject matter pertains. Patentability shall not be negated by the manner in which the invention was made.

The factual inquiries set forth in *Graham v. John Deere Co.*, 383 U.S. 1, 148 USPQ 459 (1966), that are applied for establishing a background for determining obviousness under pre-AIA 35 U.S.C. 103(a) are summarized as follows:

1. Determining the scope and contents of the prior art.
2. Ascertaining the differences between the prior art and the claims at issue.
3. Resolving the level of ordinary skill in the pertinent art.
4. Considering objective evidence present in the application indicating obviousness or nonobviousness.

Claims 2-3 and 15-16 are rejected under pre-AIA 35 U.S.C. 103(a) as being unpatentable over **Ciaramitaro** as applied to claims 1 and 14 above, and further in view of Mosoi et al. (US Pub. No. 2011/0072013 A1), hereinafter “**Mosoi**”.

Regarding claim 2, Ciaramitaro does not explicitly disclose **the online document management system of claim 1, further wherein said data processors comprise programming operable to recommend a journal to an author if said journal has published articles which have a high similarity with an article submitted by said author.**

Art Unit: 2168

However, **Mosoi** teaches **the online document management system of claim 1, further wherein said data processors comprise programming operable to recommend a journal to an author if said journal has published articles which have a high similarity with an article submitted by said author** (See [0070], [0079] and Figure 7, A list of a top N numbers of content with the highest similarity or relevance value is generated at operation 514. ... FIG. 7 is an example graphical user interface for displaying requested content and providing content recommendations).

Hence, it would have been obvious to one of ordinary skill in the art at the time of the invention was made to combine Ciaramitaro and Mosoi because **Mosoi** discloses a dynamic user profile for a user is determined. The dynamic user profile is based on one or more fingerprints of viewed documents by the user. One or more relevant documents are determined based on the dynamic user profile and the fingerprints of documents in the system. A list of the one or more relevant documents is then provided to the user (**Mosoi**, See ABSTRACT) which can be utilized by Ciaramitaro to recommend the similar documents to the author who submitted similar article and to increase user satisfaction rate.

Regarding claim 3, **Ciaramitaro** in view of **Mosoi** further teaches **the online document management system of claim 2, wherein said high similarity is determined by creating a fingerprint of said published articles of said journal, creating a fingerprint of said article submitted by said author, and comparing the fingerprint of said published articles of said journal to the fingerprint of said article submitted by said author** (**Mosoi**, See [0056], the preprocess engine 202 determines a fingerprint for each content or document available in one or

Art Unit: 2168

more databases (e.g., databases 124). A fingerprint is a hash function that is applied on a vector that outputs a number of bits).

Regarding claims 15-16, the instant claims are method claims which correspond to the system claims 2-3 above, therefore they are rejected for the same reason as set forth above.

Claims 4, 7-10, 17 and 19 are rejected under pre-AIA 35 U.S.C. 103(a) as being unpatentable over **Ciaramitaro** as applied to claims 1 and 14 above, and further in view of De Angelis et al. (US Pub. No. 2011/0072013 A1), hereinafter “**De Angelis**”.

Regarding claim 4, Ciaramitaro does not explicitly disclose **the online document management system of claim 1, further comprising one or more trainer computers, wherein one or more of said trainer computers coordinate with one or more of the editorial computers to provide training to journal users.**

However, **De Angelis** teaches **the online document management system of claim 1, further comprising one or more trainer computers, wherein one or more of said trainer computers coordinate with one or more of the editorial computers to provide training to journal users** (See [0013], that provides users with learning or training opportunities).

Hence, it would have been obvious to one of ordinary skill in the art at the time of the invention was made to combine Ciaramitaro and De Angelis because **De Angelis** discloses an authoring tool in accordance with an embodiment of the present invention performs a process that converts a document to a trackable content file. The document can be generated by various kinds of applications, e.g., commercially available WordPerfect, Word, PowerPoint, Excel,

Art Unit: 2168

Acrobat, etc. According to one embodiment, the trackable content file is stored on a content repository on an online learning network. The trackable content file communicates with a management system, and exchanges data therewith (**De Angelis**, See [0006]) can be utilized by Ciaramitaro to create a training environment.

Regarding claim 7, **Ciaramitaro** in view of **De Angelis** further teaches **the online document management system of claim 4, wherein one or more of said editorial computers create a new journal in training mode** (**Ciaramitaro**, See [0035], Each document has only one master instance; however, each time a document is associated to a production folder via the production folders table 316, a new and unique production instance is created for that document).

Regarding claim 8, **Ciaramitaro** in view of **De Angelis** further teaches **the online document management system of claim 4, wherein one or more of said editorial computers replicate an existing journal for training purposes** (**Ciaramitaro**, See [0035], Each document has only one master instance; however, each time a document is associated to a production folder via the production folders table 316, a new and unique production instance is created for that document).

Regarding claim 9, **Ciaramitaro** in view of **De Angelis** further teaches **the online document management system of claim 1, wherein said data processor is further configured to convert one or more submitted documents to a Common Readable Format** (**De Angelis**, [0016]-[0017] and [0022], HTML file and XML file).

Art Unit: 2168

Regarding claim 10, **Ciaramitaro** in view of **De Angelis** further teaches **the online document management system of claim 9, wherein said Common Readable Format is Hypertext Markup Language or Extensible Markup Language (De Angelis, [0016]-[0017] and [0022], HTML file and XML file).**

Regarding claims 17 and 19, the instant claims are method claims which correspond to the system claims 4 and 9 above, therefore they are rejected for the same reason as set forth above.

Claims 11, 13 and 20 are rejected under pre-AIA 35 U.S.C. 103(a) as being unpatentable over **Ciaramitaro** as applied to claims 1 and 14 above, and further in view of **Diamond et al.** (US Pub. No. 2006/0282762 A1), hereinafter “**Diamond**”.

Regarding claim 11, **Ciaramitaro** does not explicitly disclose **the online document management system of claim 1, wherein one or more of the editorial computers automatically assigns editors according to rules and settings of the management system.**

However, **Diamond** teaches **the online document management system of claim 1, wherein one or more of the editorial computers automatically assigns editors according to rules and settings of the management system** (See [0049], an annotation could include an option enabling a comment to be assigned to a particular individual or individuals for action or response).

Art Unit: 2168

Hence, it would have been obvious to one of ordinary skill in the art at the time of the invention was made to combine Ciaramitaro and Diamond because **Diamond** discloses a rule and setting that can pre-define in the document management system to automatically assign individual and when utilized by Ciaramitaro can increase efficient of the system.

Regarding claim 13, **Ciaramitaro** in view of **Diamond** further teaches **the online document management system of claim 1, wherein annotations to one or more submitted documents are made in the documents being displayed (Diamond, See [0022], The annotations can be immediately visible, in context, to all participants of the review).**

Regarding claim 20, the instant claim is method claim which corresponds to the system claim 11 above, therefore it is rejected for the same reason as set forth above.

Claims 12 is rejected under pre-AIA 35 U.S.C. 103(a) as being unpatentable over **Ciaramitaro** as applied to claims 1 and 14 above, and further in view of Vaithilingam et al. (US Pub. No2001/0047357 A1), hereinafter "**Vaithilingam**".

Regarding claim 12, Ciaramitaro does not explicitly disclose teaches **the online document management system of claim 1, wherein one or more of the editorial computers search for reviewers by taking into account the author's preferred reviewers**

However, **Vaithilingam** teaches **the online document management system of claim 1, wherein one or more of the editorial computers search for reviewers by taking into account**

Art Unit: 2168

**the author's preferred reviewers** (See [0030], providing users with a selection of subjective information to choose from in their user-preference based content selection/filtering process. For example, reviewers A and B may review a movie. Based on prior experience, a user may prefer reviewer A over reviewer B for television programs and movie ratings).

Hence, it would have been obvious to one of ordinary skill in the art at the time of the invention was made to combine Ciaramitaro and Vaithilingam because **Vaithilingam** discloses users at a website provide details of their preferences in a certain domain, for example, buying books or music CDs. The users are then recommended certain products based on their preferences and the products purchased by other users with similar preferences (**Vaithilingam**, See [0004]) and when utilized by Ciaramitaro can increase user's satisfaction.

### *Conclusion*

The prior art made of record and not relied upon is considered pertinent to applicant's disclosure can be found in the PTO-892 Notice of Reference Cited.

**Examiner's Note:** Examiner has cited particular columns/paragraph and line numbers in the references applied to the claims above for the convenience of the applicant. Although the specified citations are representative of the teachings of the art and are applied to specific limitations within the individual claim, other passages and figures may apply as well. It is respectfully requested from the applicant in preparing responses, to fully consider the references



Art Unit: 2168

in entirety as potentially teaching all or part of the claimed invention, as well as the context of the passage as taught by the prior art or disclosed by the Examiner.

In the case of amending the Claimed invention, Applicant is respectfully requested to indicate the portion(s) of the specification which dictate(s) the structure relied on for proper interpretation and also to verify and ascertain the metes and bounds of the claimed invention. This will assist in expediting compact prosecution. MPEP 714.02 recites: "Applicant should also specifically point out the support for any amendments made to the disclosure. See MPEP § 2163.06. An amendment which does not comply with the provisions of 37 CFR 1.121(b), (c), (d), and (h) may be held not fully responsive. See MPEP § 714." **Amendments not pointing to specific support in the disclosure may be deemed as not complying with provisions of 37 C.F.R. 1.131(b), (c), (d), and (h) and therefore held not fully responsive.** Generic statements such as "Applicants believe no new matter has been introduced" may be deemed insufficient.

### **Contact Information**

Any inquiry concerning this communication or earlier communications from the examiner should be directed to SHIOW-JY FAN whose telephone number is (571) 270-7846 and whose email address is shiow-jy.fan@uspto.gov. The examiner can normally be reached on Monday thru Thursday, 7:30am till 5:00pm, alternate Fridays off, EST..

If attempts to reach the examiner by telephone are unsuccessful, the examiner's supervisor, Fred Ehichioya can be reached on (571) 272-4034. The fax phone number for the organization where this application or proceeding is assigned is 571-273-8300.

Art Unit: 2168

Information regarding the status of an application may be obtained from the Patent Application Information Retrieval (PAIR) system. Status information for published applications may be obtained from either Private PAIR or Public PAIR. Status information for unpublished applications is available through Private PAIR only. For more information about the PAIR system, see <http://pair-direct.uspto.gov>. Should you have questions on access to the Private PAIR system, contact the Electronic Business Center (EBC) at 866-217-9197 (toll-free). If you would like assistance from a USPTO Customer Service Representative or access to the automated information system, call 800-786-9199 (IN USA OR CANADA) or 571-272-1000.

/SHIOW-JY FAN/

Primary Examiner, Art Unit 2168

11/21/2014

<b>Notice of References Cited</b>	Application/Control No. 13/536,700	Applicant(s)/Patent Under Reexamination LOPULALAN, ROBIN JASON	
	Examiner SHIOW-JY FAN	Art Unit 2168	Page 1 of 1

**U.S. PATENT DOCUMENTS**

*	Document Number Country Code-Number-Kind Code	Date MM-YYYY	Name	Classification
*	A	US-6,178,430 B1	Cohen et al.	715/273
*	B	US-2001/0047357 A1	Vaithilingam et al.	707/100
*	C	US-2003/0135607 A1	Bernard et al.	709/224
*	D	US-2004/0034631 A1	Julliard et al.	707/4
*	E	US-2004/0205580 A1	De Angelis et al.	715/513
*	F	US-2005/0004951 A1	Ciaramitaro et al.	707/104.1
*	G	US-2006/0184865 A1	Chakraborty, Pallab Bimalendunth	715/500
*	H	US-2006/0282762 A1	Diamond et al.	715/511
*	I	US-2007/0143098 A1	Van Den Berg et al.	704/001
*	J	US-2008/0307321 A1	Long, Jack	715/752
*	K	US-2010/0145904 A1	Riviello et al.	707/608
*	L	US-2011/0072013 A1	Mosoi et al.	707/736
*	M	US-2013/0132886 A1	Mangini et al.	715/781

**FOREIGN PATENT DOCUMENTS**

*	Document Number Country Code-Number-Kind Code	Date MM-YYYY	Country	Name	Classification
	N				
	O				
	P				
	Q				
	R				
	S				
	T				

**NON-PATENT DOCUMENTS**

*	Document Number Country Code-Number-Kind Code	Date MM-YYYY	Country	Name	Classification
		Include as applicable: Author, Title Date, Publisher, Edition or Volume, Pertinent Pages)			
	U				
	V				
	W				
	X				

\*A copy of this reference is not being furnished with this Office action. (See MPEP § 707.05(a).)  
Dates in MM-YYYY format are publication dates. Classifications may be US or foreign.

## EAST Search History

## EAST Search History (Prior Art)

Ref #	Hits	Search Query	DBs	Default Operator	Plurals	Time Stamp
L1	0	(preferred near3 reviewer)	US-PGPUB; USPAT; USOCR; FPRS; EPO; JPO; DERWENT; IBM_TDB	OR	ON	2014/11/21 16:40
L2	40	(prefer\$3 near3 reviewer)	US-PGPUB; USPAT; USOCR; FPRS; EPO; JPO; DERWENT; IBM_TDB	OR	ON	2014/11/21 16:41
L3	4	(prefer\$3 near3 reviewer) and (assign\$3 with editor)	US-PGPUB; USPAT; USOCR; FPRS; EPO; JPO; DERWENT; IBM_TDB	OR	ON	2014/11/21 16:42
L4	30708	(document same review)	US-PGPUB; USPAT; USOCR; FPRS; EPO; JPO; DERWENT; IBM_TDB	OR	ON	2014/11/21 16:44
L5	40	(document same review) and (prefer\$3 with reviewer)	US-PGPUB; USPAT; USOCR; FPRS; EPO; JPO; DERWENT; IBM_TDB	OR	ON	2014/11/21 16:44
L6	5	(document same review) and (prefer\$3 with reviewer) and (editor)	US-PGPUB; USPAT; USOCR; FPRS; EPO; JPO; DERWENT; IBM_TDB	OR	ON	2014/11/21 16:45
L7	4	("20060282762"   "20110178981").PN.	US-PGPUB; USPAT; USOCR; FPRS; EPO; JPO; DERWENT; IBM_TDB	OR	ON	2014/11/21 16:47
L8	2	(author with prefer\$3 with reviewer)	US-PGPUB;	OR	ON	2014/11/21

			USPAT; USOCR; FPRS; EPO; JPO; DERWENT; IBM_TDB			17:00
L9	0	(preferred adj reviewer)	US-PGPUB; USPAT; USOCR; FPRS; EPO; JPO; DERWENT; IBM_TDB	OR	ON	2014/11/21 17:01
L10	0	(preferred adj reviewers)	US-PGPUB; USPAT; USOCR; FPRS; EPO; JPO; DERWENT; IBM_TDB	OR	ON	2014/11/21 17:02
L11	0	(preferred adj3 reviewer)	US-PGPUB; USPAT; USOCR; FPRS; EPO; JPO; DERWENT; IBM_TDB	OR	ON	2014/11/21 17:03
L12	0	("preferred" adj3 reviewer)	US-PGPUB; USPAT; USOCR; FPRS; EPO; JPO; DERWENT; IBM_TDB	OR	ON	2014/11/21 17:03
L13	68	(prefer\$3 with reviewer)	US-PGPUB; USPAT; USOCR; FPRS; EPO; JPO; DERWENT; IBM_TDB	OR	ON	2014/11/21 17:03
S1	1	((Robin) near2 (Lopulalan)).INV.	US-PGPUB; USPAT	OR	ON	2014/11/16 12:15
S2	1	("20140006341").PN.	US-PGPUB; USPAT	OR	OFF	2014/11/16 12:17
S3	37045	(document same review\$3)	US-PGPUB; USPAT; USOCR; FPRS; EPO; JPO; DERWENT; IBM_TDB	OR	ON	2014/11/16 12:19
S4	26974	(document same review\$3) and (network)	US-PGPUB; USPAT; USOCR; FPRS; EPO; JPO; DERWENT; IBM_TDB	OR	ON	2014/11/16 12:19
S5	1111	(document same review\$3) and	US-PGPUB;	OR	ON	2014/11/16

		(network) and (journal same (db database))	USPAT; USOCR; FPRS; EPO; JPO; DERWENT; IBM_TDB			12:19
S6	463	(document same review\$3) and (network) and (journal same (db database)) and (user near3 profile)	US-PGPUB; USPAT; USOCR; FPRS; EPO; JPO; DERWENT; IBM_TDB	OR	ON	2014/11/16 12:20
S7	279	(document same review\$3) and (network) and (journal same (db database)) and (user near3 profile) and (training same user)	US-PGPUB; USPAT; USOCR; FPRS; EPO; JPO; DERWENT; IBM_TDB	OR	ON	2014/11/16 12:20
S8	25	(document same review\$3) and (network) and (journal same (db database)) and (user near3 profile) and (training same user) and (common with format) and ((hypertext extensible) with markup with language)	US-PGPUB; USPAT; USOCR; FPRS; EPO; JPO; DERWENT; IBM_TDB	OR	ON	2014/11/16 12:22
S9	85	(document same review\$3) and (network) and (journal same (db database)) and (user near3 profile) and (training same user) and ((hypertext extensible) with markup with language)	US-PGPUB; USPAT; USOCR; FPRS; EPO; JPO; DERWENT; IBM_TDB	OR	ON	2014/11/16 12:44
S10	60	S9 not S8	US-PGPUB; USPAT; USOCR; FPRS; EPO; JPO; DERWENT; IBM_TDB	OR	ON	2014/11/16 12:44
S11	6	(document same review\$3 same peer) and (journal same (db database)) and (user near3 profile) and (training same user) and ((hypertext extensible) with markup with language)	US-PGPUB; USPAT; USOCR; FPRS; EPO; JPO; DERWENT; IBM_TDB	OR	ON	2014/11/16 13:14
S12	0	S11 not S9	US-PGPUB; USPAT; USOCR; FPRS; EPO; JPO; DERWENT; IBM_TDB	OR	ON	2014/11/16 13:14
S13	90	(document same review\$) and (journal same (db database)) and (user near3 profile) and (training same user) and ((hypertext extensible) with markup with language)	US-PGPUB; USPAT; USOCR; FPRS; EPO; JPO; DERWENT;	OR	ON	2014/11/16 13:15

			IBM_TDB			
S14	5	S13 not S9	US-PGPUB; USPAT; USOCR; FPRS; EPO; JPO; DERWENT; IBM_TDB	OR	ON	2014/11/16 13:15
S15	202	(document same review\$3) and (user near3 profile) and (recommend same (journal document))	US-PGPUB; USPAT; USOCR; FPRS; EPO; JPO; DERWENT; IBM_TDB	OR	ON	2014/11/16 13:17
S16	18	(document same review\$3) and (recommend same (journal document)) and (user near3 profile) and (training) and ((hypertext extensible) with markup with language)	US-PGPUB; USPAT; USOCR; FPRS; EPO; JPO; DERWENT; IBM_TDB	OR	ON	2014/11/16 13:18
S17	2377	(707/768,E17.008).CCLS.	US-PGPUB; USPAT	OR	OFF	2014/11/16 14:03
S18	30226	(G06F17/30867 OR G06F17/30699 OR G06F17/3089 OR G06F17/30705).CPC.	US-PGPUB; USPAT; USOCR; FPRS; EPO; JPO; DERWENT; IBM_TDB	OR	ON	2014/11/16 14:05
S19	7	S15 and S17	US-PGPUB; USPAT; USOCR; FPRS; EPO; JPO; DERWENT; IBM_TDB	OR	ON	2014/11/16 14:05
S20	49	S15 and S18	US-PGPUB; USPAT; USOCR; FPRS; EPO; JPO; DERWENT; IBM_TDB	OR	ON	2014/11/16 14:05
S21	0	(document same review\$3) and (user near3 profile) and (recommend same (journal document)) and (preferred same reviewer)	US-PGPUB; USPAT; USOCR; FPRS; EPO; JPO; DERWENT; IBM_TDB	OR	ON	2014/11/16 14:54
S22	1	("20100153440").PN.	US-PGPUB; USPAT	OR	OFF	2014/11/16 15:43
S23	14743	(document with submit\$3)	US-PGPUB; USPAT; USOCR; FPRS; EPO; JPO; DERWENT;	OR	ON	2014/11/20 10:28

			IBM_TDB			
S24	285	(document with submit\$3) same (record with (user author)) same (record with document)	US-PGPUB; USPAT; USOCR; FPRS; EPO; JPO; DERWENT; IBM_TDB	OR	ON	2014/11/20 10:29
S25	18	(document with submit\$3) same (record with (user author)) same (record with document) and ((migrat\$3 export\$3) same (db database))	US-PGPUB; USPAT; USOCR; FPRS; EPO; JPO; DERWENT; IBM_TDB	OR	ON	2014/11/20 10:30
S26	237	(online near3 document near3 management)	US-PGPUB; USPAT; USOCR; FPRS; EPO; JPO; DERWENT; IBM_TDB	OR	ON	2014/11/20 11:07
S27	1	("20040003353").PN.	US-PGPUB; USPAT	OR	OFF	2014/11/20 11:47
S28	1	("20020107921").PN.	US-PGPUB; USPAT	OR	OFF	2014/11/20 11:49
S29	0	(recommed same journal)	US-PGPUB; USPAT; USOCR; FPRS; EPO; JPO; DERWENT; IBM_TDB	OR	ON	2014/11/20 13:45
S30	3060	(recommend\$3 same journal)	US-PGPUB; USPAT; USOCR; FPRS; EPO; JPO; DERWENT; IBM_TDB	OR	ON	2014/11/20 13:45
S31	4	(recommend\$3 same journal) and ((fingerprint similiarity) same journal)	US-PGPUB; USPAT; USOCR; FPRS; EPO; JPO; DERWENT; IBM_TDB	OR	ON	2014/11/20 13:46
S32	0	("2014/0006341").URPN.	USPAT	OR	ON	2014/11/20 13:48
S33	917	review\$5 and recommend\$3 and (migrat\$3 same database)	US-PGPUB; USPAT; USOCR; FPRS; EPO; JPO; DERWENT; IBM_TDB	OR	ON	2014/11/20 13:49
S34	132	review\$5 and recommend\$3 and (migrat\$3 same database) and editor and training	US-PGPUB; USPAT; USOCR; FPRS; EPO;	OR	ON	2014/11/20 13:50



			JPO; DERWENT; IBM_TDB			
S35	128	review\$5 and recommend\$3 and (migrat\$3 same database) and editor and training and (document journal)	US-PGPUB; USPAT; USOCR; FPRS; EPO; JPO; DERWENT; IBM_TDB	OR	ON	2014/11/20 13:50
S36	0	review\$5 and recommend\$3 and (migrat\$3 same database) and editor and training and (prefer\$3 near3 reviewer)	US-PGPUB; USPAT; USOCR; FPRS; EPO; JPO; DERWENT; IBM_TDB	OR	ON	2014/11/20 14:21
S37	40	(prefer\$3 near3 reviewer)	US-PGPUB; USPAT; USOCR; FPRS; EPO; JPO; DERWENT; IBM_TDB	OR	ON	2014/11/20 14:21
S38	7	(recommend\$3 same (journal document) same (author) same similarity)	US-PGPUB; USPAT; USOCR; FPRS; EPO; JPO; DERWENT; IBM_TDB	OR	ON	2014/11/20 15:59
S39	254149	(receiv\$3 same document)	US-PGPUB; USPAT; USOCR; FPRS; EPO; JPO; DERWENT; IBM_TDB	OR	ON	2014/11/20 16:21
S40	2156	(receiv\$3 same document) and (database same (document journal) same (author))	US-PGPUB; USPAT; USOCR; FPRS; EPO; JPO; DERWENT; IBM_TDB	OR	ON	2014/11/20 16:21
S41	1133	(receiv\$3 same document) and ((access\$3 retriev\$3 obtain\$3 get\$3) same database same (document journal) same (author))	US-PGPUB; USPAT; USOCR; FPRS; EPO; JPO; DERWENT; IBM_TDB	OR	ON	2014/11/20 16:22
S42	1293	(receiv\$3 same (document journal article) and ((access\$3 retriev\$3 obtain\$3 get\$3) same database same (document journal article) same (author))	US-PGPUB; USPAT; USOCR; FPRS; EPO; JPO; DERWENT; IBM_TDB	OR	ON	2014/11/20 16:23
S43	696	(receiv\$3 same (document journal article) and ((access\$3 retriev\$3	US-PGPUB; USPAT;	OR	ON	2014/11/20 16:24

		obtain\$3 get\$3) same database same (document journal article) same (author)) and ((migrat\$3 import\$3 export\$3) same (document journal article))	USOCR; FPRS; EPO; JPO; DERWENT; IBM_TDB			
S44	393	(receiv\$3 same (document journal article)) and ((access\$3 retriev\$3 obtain\$3 get\$3) same database same (document journal article) same (author)) and ((migrat\$3 import\$3 export\$3) same (document journal article) same database)	US-PGPUB; USPAT; USOCR; FPRS; EPO; JPO; DERWENT; IBM_TDB	OR	ON	2014/11/20 16:24
S45	30282	(G06F17/30867 OR G06F17/30699 OR G06F17/3089 OR G06F17/30705).CPC.	US-PGPUB; USPAT; USOCR; FPRS; EPO; JPO; DERWENT; IBM_TDB	OR	ON	2014/11/20 16:24
S46	22	S44 and S45	US-PGPUB; USPAT; USOCR; FPRS; EPO; JPO; DERWENT; IBM_TDB	OR	ON	2014/11/20 16:24
S48	91	(receiv\$3 same (document journal article)) and ((access\$3 retriev\$3 obtain\$3 get\$3) same database same (document journal article) same (author)) and ((migrat\$3 import\$3 export\$3) same (document journal article) same non same database)	US-PGPUB; USPAT; USOCR; FPRS; EPO; JPO; DERWENT; IBM_TDB	OR	ON	2014/11/20 16:48
S49	1	("20030014428").PN.	US-PGPUB; USPAT	OR	OFF	2014/11/20 16:56
S50	34	("20030014428"   "20030028525"   "20030164849"   "20040172405"   "20050086078"   "20050154693"   "20060053365"   "20070113169"   "20070118515"   "20070219995"   "20080010294"   "6374290"   "7257767").PN.	US-PGPUB; USPAT; USOCR; FPRS; EPO; JPO; DERWENT; IBM_TDB	OR	ON	2014/11/20 16:59
S51	9	(peer same review same (technical with journal))	US-PGPUB; USPAT; USOCR; FPRS; EPO; JPO; DERWENT; IBM_TDB	OR	ON	2014/11/20 17:30
S52	14876	(document near3 management near3 system)	US-PGPUB; USPAT; USOCR; FPRS; EPO; JPO; DERWENT; IBM_TDB	OR	ON	2014/11/20 17:52
S53	9489	(document adj management adj system)	US-PGPUB; USPAT; USOCR; FPRS; EPO; JPO;	OR	ON	2014/11/20 17:52

			DERWENT; IBM_TDB			
S54	634	(document adj management adj system) and (user adj profile)	US-PGPUB; USPAT; USOCR; FPRS; EPO; JPO; DERWENT; IBM_TDB	OR	ON	2014/11/20 17:54
S55	607	(document adj management adj system) and (user adj profile) and (document same information)	US-PGPUB; USPAT; USOCR; FPRS; EPO; JPO; DERWENT; IBM_TDB	OR	ON	2014/11/20 17:54
S56	301	(document adj management adj system) and (user adj profile) and (document same information) and ((migrat\$5 exchange\$3) same document)	US-PGPUB; USPAT; USOCR; FPRS; EPO; JPO; DERWENT; IBM_TDB	OR	ON	2014/11/20 17:55
S57	105	(document adj management adj system) and (user adj profile) and (document same information) and ((migrat\$5 exchange\$3) same document) and (submit\$3 same document)	US-PGPUB; USPAT; USOCR; FPRS; EPO; JPO; DERWENT; IBM_TDB	OR	ON	2014/11/20 17:56
S58	2	((migrat\$3 with (journal document articele file)) same (non-sister with database))	US-PGPUB; USPAT; USOCR; FPRS; EPO; JPO; DERWENT; IBM_TDB	OR	ON	2014/11/21 11:09
S59	142315	((migrat\$3 exchange\$3 import\$3 export\$3) same (database))	US-PGPUB; USPAT; USOCR; FPRS; EPO; JPO; DERWENT; IBM_TDB	OR	ON	2014/11/21 11:15
S60	69254	((migrat\$3 exchange\$3 import\$3 export\$3) with (database))	US-PGPUB; USPAT; USOCR; FPRS; EPO; JPO; DERWENT; IBM_TDB	OR	ON	2014/11/21 11:15
S61	11654	((migrat\$3 exchange\$3 import\$3 export\$3) with (document journal article file) with (database))	US-PGPUB; USPAT; USOCR; FPRS; EPO; JPO; DERWENT; IBM_TDB	OR	ON	2014/11/21 11:16
S62	31	((migrat\$3 exchange\$3 import\$3 export\$3) with (document journal article file) with (database)) same	US-PGPUB; USPAT; USOCR;	OR	ON	2014/11/21 11:19

		(un\$1related non\$1sister non\$1brother non\$1sibling)	FPRS; EPO; JPO; DERWENT; IBM_TDB			
S63	1109	(migrat\$3) with (document journal article file) with (database)	US-PGPUB; USPAT; USOCR; FPRS; EPO; JPO; DERWENT; IBM_TDB	OR	ON	2014/11/21 11:29
S64	320	(migrat\$3) near3 (document journal article file) with (database)	US-PGPUB; USPAT; USOCR; FPRS; EPO; JPO; DERWENT; IBM_TDB	OR	ON	2014/11/21 11:29
S65	163	((migrat\$3) with (document journal article file) with (database)) and (document with manag\$5)	US-PGPUB; USPAT; USOCR; FPRS; EPO; JPO; DERWENT; IBM_TDB	OR	ON	2014/11/21 11:30
S66	189	(recommend\$3 with (document) same (similarity))	US-PGPUB; USPAT; USOCR; FPRS; EPO; JPO; DERWENT; IBM_TDB	OR	ON	2014/11/21 14:51
S67	3	(recommend\$3 with (document) same (similarity) same (fingerprint))	US-PGPUB; USPAT; USOCR; FPRS; EPO; JPO; DERWENT; IBM_TDB	OR	ON	2014/11/21 14:51

11/ 21/ 2014 5:28:01 PM


C:\Users\sfan\Documents\EAST\Workspaces\13536700.wsp


**UNITED STATES PATENT AND TRADEMARK OFFICE**

UNITED STATES DEPARTMENT OF COMMERCE  
**United States Patent and Trademark Office**  
 Address: COMMISSIONER FOR PATENTS  
 P.O. Box 1450  
 Alexandria, Virginia 22313-1450  
 www.uspto.gov

**BIB DATA SHEET**
**CONFIRMATION NO. 4371**

SERIAL NUMBER	FILING or 371(c) DATE	CLASS	GROUP ART UNIT	ATTORNEY DOCKET NO.	
13/536,700	06/28/2012	707	2168	77434-40 / ELV0017PA	
<b>APPLICANTS</b> <b>INVENTORS</b> Robin Jason Lopulalan, Residence Not Provided; <b>** CONTINUING DATA *****</b> <b>** FOREIGN APPLICATIONS *****</b> <b>** IF REQUIRED, FOREIGN FILING LICENSE GRANTED **</b> 07/16/2012					
Foreign Priority claimed <input type="checkbox"/> Yes <input checked="" type="checkbox"/> No 35 USC 119(a-d) conditions met <input type="checkbox"/> Yes <input checked="" type="checkbox"/> No Verified and Acknowledged <u>/SHIOW-JY FAN/</u> <small>Examiner's Signature</small>	<input type="checkbox"/> Met after Allowance <small>Initials</small>	<b>STATE OR COUNTRY</b>	<b>SHEETS DRAWINGS</b> 11	<b>TOTAL CLAIMS</b> 20	<b>INDEPENDENT CLAIMS</b> 2
<b>ADDRESS</b> DINSMORE & SHOHL LLP 255 East Fifth Street, Suite 1900 CINCINNATI, OH 45202 UNITED STATES					
<b>TITLE</b> Online Peer Review System and Method					
<b>FILING FEE RECEIVED</b> 1380	FEES: Authority has been given in Paper No. _____ to charge/credit DEPOSIT ACCOUNT No. _____ for following:		<input type="checkbox"/> All Fees <input type="checkbox"/> 1.16 Fees (Filing) <input type="checkbox"/> 1.17 Fees (Processing Ext. of time) <input type="checkbox"/> 1.18 Fees (Issue) <input type="checkbox"/> Other _____ <input type="checkbox"/> Credit		

<b>Search Notes</b>  	<b>Application/Control No.</b>  13536700	<b>Applicant(s)/Patent Under Reexamination</b>  LOPULALAN, ROBIN JASON
	<b>Examiner</b>  SHIOW-JY FAN	<b>Art Unit</b>  2168

CPC- SEARCHED		
Symbol	Date	Examiner
G06F17/30867 OR G06F17/30699 OR G06F17/3089 OR G06F17/30705	11/16/14	sf


CPC COMBINATION SETS - SEARCHED		
Symbol	Date	Examiner

US CLASSIFICATION SEARCHED			
Class	Subclass	Date	Examiner
707	768,E17.008	11/16/14	sf

SEARCH NOTES		
Search Notes	Date	Examiner
Inventor name search	11/16/14	sf
EAST	11/16, 20-21/14	sf

INTERFERENCE SEARCH			
US Class/ CPC Symbol	US Subclass / CPC Group	Date	Examiner

--	--

<b><i>Index of Claims</i></b>  	<b>Application/Control No.</b>  13536700	<b>Applicant(s)/Patent Under Reexamination</b>  LOPULALAN, ROBIN JASON
	<b>Examiner</b>  SHIOW-JY FAN	<b>Art Unit</b>  2168

✓	<b>Rejected</b>
=	<b>Allowed</b>

-	<b>Cancelled</b>
÷	<b>Restricted</b>

N	<b>Non-Elected</b>
I	<b>Interference</b>

A	<b>Appeal</b>
O	<b>Objected</b>

Claims renumbered in the same order as presented by applicant
  CPA
  T.D.
  R.1.47

CLAIM		DATE							
Final	Original	11/21/2014							
	1	✓							
	2	✓							
	3	✓							
	4	✓							
	5	✓							
	6	✓							
	7	✓							
	8	✓							
	9	✓							
	10	✓							
	11	✓							
	12	✓							
	13	✓							
	14	✓							
	15	✓							
	16	✓							
	17	✓							
	18	✓							
	19	✓							
	20	✓							



UNITED STATES PATENT AND TRADEMARK OFFICE

UNITED STATES DEPARTMENT OF COMMERCE  
United States Patent and Trademark Office  
Address: COMMISSIONER FOR PATENTS  
P.O. Box 1450  
Alexandria, Virginia 22313-1450  
www.uspto.gov

APPLICATION NUMBER	FILING OR 371(C) DATE	FIRST NAMED APPLICANT	ATTY. DOCKET NO./TITLE
13/536,700	06/28/2012	Robin Jason Lopulalan	237494-000061

**CONFIRMATION NO. 4371**

**POA ACCEPTANCE LETTER**

24256  
DINSMORE & SHOHL LLP  
255 East Fifth Street, Suite 1900  
CINCINNATI, OH 45202



Date Mailed: 08/12/2014

**NOTICE OF ACCEPTANCE OF POWER OF ATTORNEY**

This is in response to the Power of Attorney filed 08/07/2014.

The Power of Attorney in this application is accepted. Correspondence in this application will be mailed to the above address as provided by 37 CFR 1.33.

/ddinh/

Office of Data Management, Application Assistance Unit (571) 272-4000, or (571) 272-4200, or 1-888-786-0101



Under the Paperwork Reduction Act of 1995, no persons are required to respond to a collection of information unless it displays a valid OMB control number.

**POWER OF ATTORNEY TO PROSECUTE APPLICATIONS BEFORE THE USPTO**

I hereby revoke all previous powers of attorney given in the application identified in the attached statement under 37 CFR 3.73(b).

I hereby appoint:

 Practitioners associated with the Customer Number:

24256

OR

 Practitioner(s) named below (if more than ten patent practitioners are to be named, then a customer number must be used):

Name	Registration Number	Name	Registration Number

as attorney(s) or agent(s) to represent the undersigned before the United States Patent and Trademark Office (USPTO) in connection with any and all patent applications assigned only to the undersigned according to the USPTO assignment records or assignment documents attached to this form in accordance with 37 CFR 3.73(b).

Please change the correspondence address for the application identified in the attached statement under 37 CFR 3.73(b) to:

 The address associated with Customer Number:

24256


OR

<input type="checkbox"/> Firm or Individual Name			
Address			
City	State	Zip	
Country			
Telephone	Email		

Assignee Name and Address:

Elsevier, Inc.  
360 Park Avenue South  
New York, New York 10010**A copy of this form, together with a statement under 37 CFR 3.73(b) (Form PTO/SB/96 or equivalent) is required to be filed in each application in which this form is used. The statement under 37 CFR 3.73(b) may be completed by one of the practitioners appointed in this form if the appointed practitioner is authorized to act on behalf of the assignee, and must identify the application in which this Power of Attorney is to be filed.****SIGNATURE of Assignee of Record**

The individual whose signature and title is supplied below is authorized to act on behalf of the assignee

Signature		Date	7/28/2014
Name	Mark Seeley	Telephone	781-663-2241
Title	SVP + General Counsel		

This collection of information is required by 37 CFR 1.31, 1.32 and 1.33. The information is required to obtain or retain a benefit by the public which is to file (and by the USPTO to process) an application. Confidentiality is governed by 35 U.S.C. 122 and 37 CFR 1.11 and 1.14. This collection is estimated to take 3 minutes to complete, including gathering, preparing, and submitting the completed application form to the USPTO. Time will vary depending upon the individual case. Any comments on the amount of time you require to complete this form and/or suggestions for reducing this burden, should be sent to the Chief Information Officer, U.S. Patent and Trademark Office, U.S. Department of Commerce, P.O. Box 1450, Alexandria, VA 22313-1450. DO NOT SEND FEES OR COMPLETED FORMS TO THIS ADDRESS. SEND TO: Commissioner for Patents, P.O. Box 1450, Alexandria, VA 22313-1450.

If you need assistance in completing the form, call 1-800-PTO-9199 and select option 2.

## Electronic Acknowledgement Receipt

<b>EFS ID:</b>	19790858
<b>Application Number:</b>	13536700
<b>International Application Number:</b>	
<b>Confirmation Number:</b>	4371
<b>Title of Invention:</b>	Online Peer Review System and Method
<b>First Named Inventor/Applicant Name:</b>	Robin Jason Lopulalan
<b>Customer Number:</b>	84310
<b>Filer:</b>	Nicholaus Richard Rericha/Stephanie Berlepsch
<b>Filer Authorized By:</b>	Nicholaus Richard Rericha
<b>Attorney Docket Number:</b>	237494-000061
<b>Receipt Date:</b>	07-AUG-2014
<b>Filing Date:</b>	28-JUN-2012
<b>Time Stamp:</b>	10:36:48
<b>Application Type:</b>	Utility under 35 USC 111(a)

### Payment information:

Submitted with Payment	no
------------------------	----

### File Listing:

Document Number	Document Description	File Name	File Size(Bytes)/ Message Digest	Multi Part /.zip	Pages (if appl.)
1	Assignee showing of ownership per 37 CFR 3.73.	373_STMT_PRE_AIA.pdf	423217 5319d6bc2f246c7f1c6bd34a31abdeeebc34b606	no	2

### Warnings:

### Information:

2	Power of Attorney	Elsevier_Inc_POA_OLD.pdf	63630	no	1
			54c5c216a603efd3e3531a4ea2109b80076864729		

**Warnings:**

**Information:**

<b>Total Files Size (in bytes):</b>	486847
-------------------------------------	--------

**This Acknowledgement Receipt evidences receipt on the noted date by the USPTO of the indicated documents, characterized by the applicant, and including page counts, where applicable. It serves as evidence of receipt similar to a Post Card, as described in MPEP 503.**

**New Applications Under 35 U.S.C. 111**

**If a new application is being filed and the application includes the necessary components for a filing date (see 37 CFR 1.53(b)-(d) and MPEP 506), a Filing Receipt (37 CFR 1.54) will be issued in due course and the date shown on this Acknowledgement Receipt will establish the filing date of the application.**

**National Stage of an International Application under 35 U.S.C. 371**

**If a timely submission to enter the national stage of an international application is compliant with the conditions of 35 U.S.C. 371 and other applicable requirements a Form PCT/DO/EO/903 indicating acceptance of the application as a national stage submission under 35 U.S.C. 371 will be issued in addition to the Filing Receipt, in due course.**

**New International Application Filed with the USPTO as a Receiving Office**

**If a new international application is being filed and the international application includes the necessary components for an international filing date (see PCT Article 11 and MPEP 1810), a Notification of the International Application Number and of the International Filing Date (Form PCT/RO/105) will be issued in due course, subject to prescriptions concerning national security, and the date shown on this Acknowledgement Receipt will establish the international filing date of the application.**

Under the Paperwork Reduction Act of 1995, no persons are required to respond to a collection of information unless it displays a valid OMB control number.

**STATEMENT UNDER 37 CFR 3.73(b)**

Applicant/Patent Owner: Elsevier, Inc.

Application No./Patent No.: 13/536,700 Filed/Issue Date: June 28, 2012

Titled: Online Peer Review System and Method

Elsevier, Inc., a corporation  
(Name of Assignee) (Type of Assignee, e.g., corporation, partnership, university, government agency, etc.)

states that it is:

- 1.  the assignee of the entire right, title, and interest in;
- 2.  an assignee of less than the entire right, title, and interest in  
(The extent (by percentage) of its ownership interest is \_\_\_\_\_ %); or
- 3.  the assignee of an undivided interest in the entirety of (a complete assignment from one of the joint inventors was made)

the patent application/patent identified above, by virtue of either:

A.  An assignment from the inventor(s) of the patent application/patent identified above. The assignment was recorded in the United States Patent and Trademark Office at Reel 028924, Frame 0123, or for which a copy therefore is attached.

**OR**

B.  A chain of title from the inventor(s), of the patent application/patent identified above, to the current assignee as follows:

1. From: \_\_\_\_\_ To: \_\_\_\_\_

The document was recorded in the United States Patent and Trademark Office at  
Reel \_\_\_\_\_, Frame \_\_\_\_\_, or for which a copy thereof is attached.

2. From: \_\_\_\_\_ To: \_\_\_\_\_

The document was recorded in the United States Patent and Trademark Office at  
Reel \_\_\_\_\_, Frame \_\_\_\_\_, or for which a copy thereof is attached.

3. From: \_\_\_\_\_ To: \_\_\_\_\_

The document was recorded in the United States Patent and Trademark Office at  
Reel \_\_\_\_\_, Frame \_\_\_\_\_, or for which a copy thereof is attached.

Additional documents in the chain of title are listed on a supplemental sheet(s).

As required by 37 CFR 3.73(b)(1)(i), the documentary evidence of the chain of title from the original owner to the assignee was, or concurrently is being, submitted for recordation pursuant to 37 CFR 3.11.

[NOTE: A separate copy (i.e., a true copy of the original assignment document(s)) must be submitted to Assignment Division in accordance with 37 CFR Part 3, to record the assignment in the records of the USPTO. See MPEP 302.08]

The undersigned (whose title is supplied below) is authorized to act on behalf of the assignee.

/Nicholaus R. Rericha/  
Signature

August 7, 2014  
Date

Nicholaus R. Rericha  
Printed or Typed Name

Attorney for Assignee  
Title

This collection of information is required by 37 CFR 3.73(b). The information is required to obtain or retain a benefit by the public which is to file (and by the USPTO to process) an application. Confidentiality is governed by 35 U.S.C. 122 and 37 CFR 1.11 and 1.14. This collection is estimated to take 12 minutes to complete, including gathering, preparing, and submitting the completed application form to the USPTO. Time will vary depending upon the individual case. Any comments on the amount of time you require to complete this form and/or suggestions for reducing this burden, should be sent to the Chief Information Officer, U.S. Patent and Trademark Office, U.S. Department of Commerce, P.O. Box 1450, Alexandria, VA 22313-1450. DO NOT SEND FEES OR COMPLETED FORMS TO THIS ADDRESS. **SEND TO: Commissioner for Patents, P.O. Box 1450, Alexandria, VA 22313-1450.**

## Privacy Act Statement

The **Privacy Act of 1974 (P.L. 93-579)** requires that you be given certain information in connection with your submission of the attached form related to a patent application or patent. Accordingly, pursuant to the requirements of the Act, please be advised that: (1) the general authority for the collection of this information is 35 U.S.C. 2(b)(2); (2) furnishing of the information solicited is voluntary; and (3) the principal purpose for which the information is used by the U.S. Patent and Trademark Office is to process and/or examine your submission related to a patent application or patent. If you do not furnish the requested information, the U.S. Patent and Trademark Office may not be able to process and/or examine your submission, which may result in termination of proceedings or abandonment of the application or expiration of the patent.

The information provided by you in this form will be subject to the following routine uses:

1. The information on this form will be treated confidentially to the extent allowed under the Freedom of Information Act (5 U.S.C. 552) and the Privacy Act (5 U.S.C. 552a). Records from this system of records may be disclosed to the Department of Justice to determine whether disclosure of these records is required by the Freedom of Information Act.
2. A record from this system of records may be disclosed, as a routine use, in the course of presenting evidence to a court, magistrate, or administrative tribunal, including disclosures to opposing counsel in the course of settlement negotiations.
3. A record in this system of records may be disclosed, as a routine use, to a Member of Congress submitting a request involving an individual, to whom the record pertains, when the individual has requested assistance from the Member with respect to the subject matter of the record.
4. A record in this system of records may be disclosed, as a routine use, to a contractor of the Agency having need for the information in order to perform a contract. Recipients of information shall be required to comply with the requirements of the Privacy Act of 1974, as amended, pursuant to 5 U.S.C. 552a(m).
5. A record related to an International Application filed under the Patent Cooperation Treaty in this system of records may be disclosed, as a routine use, to the International Bureau of the World Intellectual Property Organization, pursuant to the Patent Cooperation Treaty.
6. A record in this system of records may be disclosed, as a routine use, to another federal agency for purposes of National Security review (35 U.S.C. 181) and for review pursuant to the Atomic Energy Act (42 U.S.C. 218(c)).
7. A record from this system of records may be disclosed, as a routine use, to the Administrator, General Services, or his/her designee, during an inspection of records conducted by GSA as part of that agency's responsibility to recommend improvements in records management practices and programs, under authority of 44 U.S.C. 2904 and 2906. Such disclosure shall be made in accordance with the GSA regulations governing inspection of records for this purpose, and any other relevant (*i.e.*, GSA or Commerce) directive. Such disclosure shall not be used to make determinations about individuals.
8. A record from this system of records may be disclosed, as a routine use, to the public after either publication of the application pursuant to 35 U.S.C. 122(b) or issuance of a patent pursuant to 35 U.S.C. 151. Further, a record may be disclosed, subject to the limitations of 37 CFR 1.14, as a routine use, to the public if the record was filed in an application which became abandoned or in which the proceedings were terminated and which application is referenced by either a published application, an application open to public inspection or an issued patent.
9. A record from this system of records may be disclosed, as a routine use, to a Federal, State, or local law enforcement agency, if the USPTO becomes aware of a violation or potential violation of law or regulation.



UNITED STATES PATENT AND TRADEMARK OFFICE

UNITED STATES DEPARTMENT OF COMMERCE
United States Patent and Trademark Office
Address: COMMISSIONER FOR PATENTS
P.O. Box 1450
Alexandria, Virginia 22313-1450
www.uspto.gov

Table with 4 columns: APPLICATION NUMBER (13/536,700), FILING OR 371(C) DATE (06/28/2012), FIRST NAMED APPLICANT (Robin Jason Lopulalan), ATTY. DOCKET NO./TITLE (237494-000061)

CONFIRMATION NO. 4371

PUBLICATION NOTICE



84310
Troutman Sanders LLP
The Chrysler Building
405 Lexington Avenue
New York, NY 10174

Title:Online Peer Review System and Method

Publication No.US-2014-0006341-A1

Publication Date:01/02/2014

NOTICE OF PUBLICATION OF APPLICATION

The above-identified application will be electronically published as a patent application publication pursuant to 37 CFR 1.211, et seq. The patent application publication number and publication date are set forth above.

The publication may be accessed through the USPTO's publically available Searchable Databases via the Internet at www.uspto.gov. The direct link to access the publication is currently http://www.uspto.gov/patft/.

The publication process established by the Office does not provide for mailing a copy of the publication to applicant. A copy of the publication may be obtained from the Office upon payment of the appropriate fee set forth in 37 CFR 1.19(a)(1). Orders for copies of patent application publications are handled by the USPTO's Office of Public Records. The Office of Public Records can be reached by telephone at (703) 308-9726 or (800) 972-6382, by facsimile at (703) 305-8759, by mail addressed to the United States Patent and Trademark Office, Office of Public Records, Alexandria, VA 22313-1450 or via the Internet.

In addition, information on the status of the application, including the mailing date of Office actions and the dates of receipt of correspondence filed in the Office, may also be accessed via the Internet through the Patent Electronic Business Center at www.uspto.gov using the public side of the Patent Application Information and Retrieval (PAIR) system. The direct link to access this status information is currently http://pair.uspto.gov/. Prior to publication, such status information is confidential and may only be obtained by applicant using the private side of PAIR.

Further assistance in electronically accessing the publication, or about PAIR, is available by calling the Patent Electronic Business Center at 1-866-217-9197.

Office of Data Management, Application Assistance Unit (571) 272-4000, or (571) 272-4200, or 1-888-786-0101

**IN THE UNITED STATES PATENT AND TRADEMARK OFFICE**

---

Application No.:	13/536,700	Inventor(s):	Robin Jason Lopulalan
Filed:	06-28-2012	Attorney Docket No.:	237494-000061
		Confirmation No.:	4371
Examiner:		Art Unit:	2447
Title: Online Peer Review System and Method			

---

**Commissioner for Patents  
P.O. Box 1450  
Alexandria, VA 22313-1450**

**RESPONSE TO INFORMATIONAL NOTICE TO APPLICANT**

Dear Sir:

In response to the Informational Notice to Applicant mailed September 18, 2018 and in compliance with 37 CFR 1.63 and/or 37 CFR 1.64, Applicant resubmits the Application Data Sheet which now complies with the requirements of 37 CFR 1.63 and 37 CFR 1.76. Applicant now believes that the deficiency has been corrected.

Applicant believes that no fee is due but the Commissioner is nonetheless authorized to charge any deficiency in fees or credit any overpayment to PTO Deposit Account No. 20-1507.

November 14, 2012

Respectfully submitted,  
TROUTMAN SANDERS LLP  
/Suraj K. Balusu/  
Suraj K. Balusu  
Registration No. 65,519  
Troutman Sanders LLP  
(212) 704-6136

Under the Paperwork Reduction Act of 1995, no persons are required to respond to a collection of information unless it contains a valid OMB control number.

<b>Application Data Sheet 37 CFR 1.76</b>		Attorney Docket Number	237494-000061
		Application Number	13/536,700
Title of Invention	Online Peer Review System and Method		
<p>The application data sheet is part of the provisional or nonprovisional application for which it is being submitted. The following form contains the bibliographic data arranged in a format specified by the United States Patent and Trademark Office as outlined in 37 CFR 1.76.</p> <p>This document may be completed electronically and submitted to the Office in electronic format using the Electronic Filing System (EFS) or the document may be printed and included in a paper filed application.</p>			

**Secrecy Order 37 CFR 5.2**

<input type="checkbox"/> Portions or all of the application associated with this Application Data Sheet may fall under a Secrecy Order pursuant to 37 CFR 5.2 (Paper filers only. Applications that fall under Secrecy Order may not be filed electronically.)
--

**Inventor Information:**

Inventor 1 <span style="float: right;">Remove</span>				
Legal Name				
Prefix	Given Name	Middle Name	Family Name	Suffix
	Robin	Jason	Lapulalan	
Residence Information (Select One) <input type="radio"/> US Residency <input checked="" type="radio"/> Non US Residency <input type="radio"/> Active US Military Service				
City	Rotterdam	Country of Residence	NL	
Mailing Address of Inventor:				
Address 1	Overschiese Kleiweg 757			
Address 2				
City	Rotterdam	State/Province	NL	
Postal Code		Country	NL	
All Inventors Must Be Listed - Additional Inventor Information blocks may be generated within this form by selecting the <b>Add</b> button. <span style="float: right;">Add</span>				

**Correspondence Information:**

Enter either Customer Number or complete the Correspondence Information section below. For further information see 37 CFR 1.33(a).	
<input type="checkbox"/> An Address is being provided for the correspondence information of this application.	
Customer Number	84310
Email Address	PATENTS@TROUTMANSANDERS.COM <span style="float: right;">Add Email Remove Email</span>



Under the Paperwork Reduction Act of 1995, no persons are required to respond to a collection of information unless it contains a valid OMB control number.

<b>Application Data Sheet 37 CFR 1.76</b>	Attorney Docket Number	237494-000061
	Application Number	13/536,700
Title of Invention	Online Peer Review System and Method	

**Application Information:**

<b>Title of the Invention</b>	Online Peer Review System and Method		
<b>Attorney Docket Number</b>	237494-000061	<b>Small Entity Status Claimed</b>	<input type="checkbox"/>
<b>Application Type</b>	Nonprovisional		
<b>Subject Matter</b>	Utility		
<b>Suggested Class (if any)</b>		<b>Sub Class (if any)</b>	
<b>Suggested Technology Center (if any)</b>			
<b>Total Number of Drawing Sheets (if any)</b>	11	<b>Suggested Figure for Publication (if any)</b>	

**Publication Information:**

<input type="checkbox"/>	Request Early Publication (Fee required at time of Request 37 CFR 1.219)
<input type="checkbox"/>	<b>Request Not to Publish.</b> I hereby request that the attached application not be published under 35 U.S.C. 122(b) and certify that the invention disclosed in the attached application <b>has not and will not</b> be the subject of an application filed in another country, or under a multilateral international agreement, that requires publication at eighteen months after filing.

**Representative Information:**

Representative information should be provided for all practitioners having a power of attorney in the application. Providing this information in the Application Data Sheet does not constitute a power of attorney in the application (see 37 CFR 1.32). Either enter Customer Number or complete the Representative Name section below. If both sections are completed the customer Number will be used for the Representative Information during processing.			
Please Select One:	<input checked="" type="radio"/> Customer Number	<input type="radio"/> US Patent Practitioner	<input type="radio"/> Limited Recognition (37 CFR 11.9)
Customer Number	84310		

**Domestic Benefit/National Stage Information:**

This section allows for the applicant to either claim benefit under 35 U.S.C. 119(e), 120, 121, or 365(c) or indicate National Stage entry from a PCT application. Providing this information in the application data sheet constitutes the specific reference required by 35 U.S.C. 119(e) or 120, and 37 CFR 1.78.			
Prior Application Status			<input type="button" value="Remove"/>
Application Number	Continuity Type	Prior Application Number	Filing Date (YYYY-MM-DD)
Additional Domestic Benefit/National Stage Data may be generated within this form by selecting the <b>Add</b> button.			

**Foreign Priority Information:**

Under the Paperwork Reduction Act of 1995, no persons are required to respond to a collection of information unless it contains a valid OMB control number.

<b>Application Data Sheet 37 CFR 1.76</b>	Attorney Docket Number	237494-000061
	Application Number	13/536,700
Title of Invention	Online Peer Review System and Method	

This section allows for the applicant to claim benefit of foreign priority and to identify any prior foreign application for which priority is not claimed. Providing this information in the application data sheet constitutes the claim for priority as required by 35 U.S.C. 119(b) and 37 CFR 1.55(a).

Application Number	Country <sup>1</sup>	Filing Date (YYYY-MM-DD)	Priority Claimed
			<input checked="" type="radio"/> Yes <input type="radio"/> No

Additional Foreign Priority Data may be generated within this form by selecting the **Add** button.

## Authorization to Permit Access:

Authorization to Permit Access to the Instant Application by the Participating Offices

If checked, the undersigned hereby grants the USPTO authority to provide the European Patent Office (EPO), the Japan Patent Office (JPO), the Korean Intellectual Property Office (KIPO), the World Intellectual Property Office (WIPO), and any other intellectual property offices in which a foreign application claiming priority to the instant patent application is filed access to the instant patent application. See 37 CFR 1.14(c) and (h). This box should not be checked if the applicant does not wish the EPO, JPO, KIPO, WIPO, or other intellectual property office in which a foreign application claiming priority to the instant patent application is filed to have access to the instant patent application.

In accordance with 37 CFR 1.14(h)(3), access will be provided to a copy of the instant patent application with respect to: 1) the instant patent application-as-filed; 2) any foreign application to which the instant patent application claims priority under 35 U.S.C. 119(a)-(d) if a copy of the foreign application that satisfies the certified copy requirement of 37 CFR 1.55 has been filed in the instant patent application; and 3) any U.S. application-as-filed from which benefit is sought in the instant patent application.

In accordance with 37 CFR 1.14(c), access may be provided to information concerning the date of filing this Authorization.

## Applicant Information:

Providing assignment information in this section does not substitute for compliance with any requirement of part 3 of Title 37 of CFR to have an assignment recorded by the Office.

Under the Paperwork Reduction Act of 1995, no persons are required to respond to a collection of information unless it contains a valid OMB control number.

<b>Application Data Sheet 37 CFR 1.76</b>	Attorney Docket Number	237494-000061
	Application Number	13/536,700
Title of Invention	Online Peer Review System and Method	

<b>Applicant 1</b>			
If the applicant is the inventor (or the remaining joint inventor or inventors under 37 CFR 1.45), this section should not be completed. The information to be provided in this section is the name and address of the legal representative who is the applicant under 37 CFR 1.43; or the name and address of the assignee, person to whom the inventor is under an obligation to assign the invention, or person who otherwise shows sufficient proprietary interest in the matter who is the applicant under 37 CFR 1.46. If the applicant is an applicant under 37 CFR 1.46 (assignee, person to whom the inventor is obligated to assign, or person who otherwise shows sufficient proprietary interest) together with one or more joint inventors, then the joint inventor or inventors who are also the applicant should be identified in this section.			
<input checked="" type="radio"/> Assignee		<input type="radio"/> Legal Representative under 35 U.S.C. 117	
<input type="radio"/> Person to whom the inventor is obligated to assign.		<input type="radio"/> Person who shows sufficient proprietary interest	
If applicant is the legal representative, indicate the authority to file the patent application, the inventor is:			
Name of the Deceased or Legally Incapacitated Inventor : <input type="text"/>			
If the Assignee is an Organization check here. <input checked="" type="checkbox"/>			
Organization Name	ELSEVIER, INC.		
<b>Mailing Address Information:</b>			
Address 1	360 PARK AVENUE SOUTH		
Address 2			
City	New York	State/Province	NY
Country	US	Postal Code	10010
Phone Number		Fax Number	
Email Address			
Additional Applicant Data may be generated within this form by selecting the Add button.			

**Signature:**

NOTE: This form must be signed in accordance with 37 CFR 1.33. See 37 CFR 1.4 for signature requirements and certifications					
Signature	/Suraj K. Balusu 65,519/			Date (YYYY-MM-DD)	2012-11-14
First Name	Suraj	Last Name	Balusu	Registration Number	65519
Additional Signature may be generated within this form by selecting the Add button.					

Under the Paperwork Reduction Act of 1995, no persons are required to respond to a collection of information unless it contains a valid OMB control number.

<b>Application Data Sheet 37 CFR 1.76</b>	Attorney Docket Number	237494-000061
	Application Number	13/536,700
Title of Invention	Online Peer Review System and Method	

This collection of information is required by 37 CFR 1.76. The information is required to obtain or retain a benefit by the public which is to file (and by the USPTO to process) an application. Confidentiality is governed by 35 U.S.C. 122 and 37 CFR 1.14. This collection is estimated to take 23 minutes to complete, including gathering, preparing, and submitting the completed application data sheet form to the USPTO. Time will vary depending upon the individual case. Any comments on the amount of time you require to complete this form and/or suggestions for reducing this burden, should be sent to the Chief Information Officer, U.S. Patent and Trademark Office, U.S. Department of Commerce, P.O. Box 1450, Alexandria, VA 22313-1450. DO NOT SEND FEES OR COMPLETED FORMS TO THIS ADDRESS. **SEND TO: Commissioner for Patents, P.O. Box 1450, Alexandria, VA 22313-1450.**

## Privacy Act Statement

The Privacy Act of 1974 (P.L. 93-579) requires that you be given certain information in connection with your submission of the attached form related to a patent application or patent. Accordingly, pursuant to the requirements of the Act, please be advised that: (1) the general authority for the collection of this information is 35 U.S.C. 2(b)(2); (2) furnishing of the information solicited is voluntary; and (3) the principal purpose for which the information is used by the U.S. Patent and Trademark Office is to process and/or examine your submission related to a patent application or patent. If you do not furnish the requested information, the U.S. Patent and Trademark Office may not be able to process and/or examine your submission, which may result in termination of proceedings or abandonment of the application or expiration of the patent.

The information provided by you in this form will be subject to the following routine uses:

1. The information on this form will be treated confidentially to the extent allowed under the Freedom of Information Act (5 U.S.C. 552) and the Privacy Act (5 U.S.C. 552a). Records from this system of records may be disclosed to the Department of Justice to determine whether the Freedom of Information Act requires disclosure of these records.
2. A record from this system of records may be disclosed, as a routine use, in the course of presenting evidence to a court, magistrate, or administrative tribunal, including disclosures to opposing counsel in the course of settlement negotiations.
3. A record in this system of records may be disclosed, as a routine use, to a Member of Congress submitting a request involving an individual, to whom the record pertains, when the individual has requested assistance from the Member with respect to the subject matter of the record.
4. A record in this system of records may be disclosed, as a routine use, to a contractor of the Agency having need for the information in order to perform a contract. Recipients of information shall be required to comply with the requirements of the Privacy Act of 1974, as amended, pursuant to 5 U.S.C. 552a(m).
5. A record related to an International Application filed under the Patent Cooperation Treaty in this system of records may be disclosed, as a routine use, to the International Bureau of the World Intellectual Property Organization, pursuant to the Patent Cooperation Treaty.
6. A record in this system of records may be disclosed, as a routine use, to another federal agency for purposes of National Security review (35 U.S.C. 181) and for review pursuant to the Atomic Energy Act (42 U.S.C. 218(c)).
7. A record from this system of records may be disclosed, as a routine use, to the Administrator, General Services, or his/her designee, during an inspection of records conducted by GSA as part of that agency's responsibility to recommend improvements in records management practices and programs, under authority of 44 U.S.C. 2904 and 2906. Such disclosure shall be made in accordance with the GSA regulations governing inspection of records for this purpose, and any other relevant (i.e., GSA or Commerce) directive. Such disclosure shall not be used to make determinations about individuals.
8. A record from this system of records may be disclosed, as a routine use, to the public after either publication of the application pursuant to 35 U.S.C. 122(b) or issuance of a patent pursuant to 35 U.S.C. 151. Further, a record may be disclosed, subject to the limitations of 37 CFR 1.14, as a routine use, to the public if the record was filed in an application which became abandoned or in which the proceedings were terminated and which application is referenced by either a published application, an application open to public inspections or an issued patent.
9. A record from this system of records may be disclosed, as a routine use, to a Federal, State, or local law enforcement agency, if the USPTO becomes aware of a violation or potential violation of law or regulation.

## Electronic Acknowledgement Receipt

<b>EFS ID:</b>	14229752
<b>Application Number:</b>	13536700
<b>International Application Number:</b>	
<b>Confirmation Number:</b>	4371
<b>Title of Invention:</b>	Online Peer Review System and Method
<b>First Named Inventor/Applicant Name:</b>	Robin Jason Lopulalan
<b>Customer Number:</b>	84310
<b>Filer:</b>	Suraj Balusu/Gail Chamberlain
<b>Filer Authorized By:</b>	Suraj Balusu
<b>Attorney Docket Number:</b>	237494-000061
<b>Receipt Date:</b>	14-NOV-2012
<b>Filing Date:</b>	28-JUN-2012
<b>Time Stamp:</b>	17:08:54
<b>Application Type:</b>	Utility under 35 USC 111(a)

### Payment information:

Submitted with Payment	no
------------------------	----

### File Listing:

Document Number	Document Description	File Name	File Size(Bytes)/ Message Digest	Multi Part /.zip	Pages (if appl.)
1	Applicant Response to Pre-Exam Formalities Notice	response61.pdf	16451 <small>f5adc1c0ca51bae92a6798c62f03635e290d8863</small>	no	1

### Warnings:

### Information:

2	Applicant Response to Pre-Exam Formalities Notice	ADS61.pdf	2880606 1c115ad0180434e2f75f68f514c24dc11e75b833	no	6
---	---	-----------	---	----	---

**Warnings:**

**Information:**

<b>Total Files Size (in bytes):</b>	2897057
-------------------------------------	---------

**This Acknowledgement Receipt evidences receipt on the noted date by the USPTO of the indicated documents, characterized by the applicant, and including page counts, where applicable. It serves as evidence of receipt similar to a Post Card, as described in MPEP 503.**

**New Applications Under 35 U.S.C. 111**

**If a new application is being filed and the application includes the necessary components for a filing date (see 37 CFR 1.53(b)-(d) and MPEP 506), a Filing Receipt (37 CFR 1.54) will be issued in due course and the date shown on this Acknowledgement Receipt will establish the filing date of the application.**

**National Stage of an International Application under 35 U.S.C. 371**

**If a timely submission to enter the national stage of an international application is compliant with the conditions of 35 U.S.C. 371 and other applicable requirements a Form PCT/DO/EO/903 indicating acceptance of the application as a national stage submission under 35 U.S.C. 371 will be issued in addition to the Filing Receipt, in due course.**

**New International Application Filed with the USPTO as a Receiving Office**

**If a new international application is being filed and the international application includes the necessary components for an international filing date (see PCT Article 11 and MPEP 1810), a Notification of the International Application Number and of the International Filing Date (Form PCT/RO/105) will be issued in due course, subject to prescriptions concerning national security, and the date shown on this Acknowledgement Receipt will establish the international filing date of the application.**

**PATENT APPLICATION FEE DETERMINATION RECORD**

Substitute for Form PTO-875

Application or Docket Number  
13/536,700

**APPLICATION AS FILED - PART I**

(Column 1) (Column 2)

FOR	NUMBER FILED	NUMBER EXTRA
BASIC FEE (37 CFR 1.16(a), (b), or (c))	N/A	N/A
SEARCH FEE (37 CFR 1.16(k), (l), or (m))	N/A	N/A
EXAMINATION FEE (37 CFR 1.16(o), (p), or (q))	N/A	N/A
TOTAL CLAIMS (37 CFR 1.16(j))	20	minus 20 = *
INDEPENDENT CLAIMS (37 CFR 1.16(h))	2	minus 3 = *
APPLICATION SIZE FEE (37 CFR 1.16(s))	If the specification and drawings exceed 100 sheets of paper, the application size fee due is \$310 (\$155 for small entity) for each additional 50 sheets or fraction thereof. See 35 U.S.C. 41(a)(1)(G) and 37 CFR 1.16(s).	
MULTIPLE DEPENDENT CLAIM PRESENT (37 CFR 1.16(j))		

**SMALL ENTITY**

RATE(\$)	FEE(\$)
N/A	
N/A	
N/A	
TOTAL	

**OR OTHER THAN SMALL ENTITY**

RATE(\$)	FEE(\$)
N/A	380
N/A	620
N/A	250
x 60 =	0.00
x 250 =	0.00
	0.00
	0.00
TOTAL	1250

\* If the difference in column 1 is less than zero, enter "0" in column 2.

**APPLICATION AS AMENDED - PART II**

(Column 1) (Column 2) (Column 3)

AMENDMENT A		CLAIMS REMAINING AFTER AMENDMENT		HIGHEST NUMBER PREVIOUSLY PAID FOR	PRESENT EXTRA
	Total (37 CFR 1.16(i))	*	Minus	**	=
Independent (37 CFR 1.16(h))	*	Minus	***	=	
Application Size Fee (37 CFR 1.16(s))					
FIRST PRESENTATION OF MULTIPLE DEPENDENT CLAIM (37 CFR 1.16(j))					

**SMALL ENTITY**

RATE(\$)	ADDITIONAL FEE(\$)
x =	
x =	
TOTAL ADD'L FEE	

**OR OTHER THAN SMALL ENTITY**

RATE(\$)	ADDITIONAL FEE(\$)
x =	
x =	
TOTAL ADD'L FEE	

(Column 1) (Column 2) (Column 3)

AMENDMENT B		CLAIMS REMAINING AFTER AMENDMENT		HIGHEST NUMBER PREVIOUSLY PAID FOR	PRESENT EXTRA
	Total (37 CFR 1.16(i))	*	Minus	**	=
Independent (37 CFR 1.16(h))	*	Minus	***	=	
Application Size Fee (37 CFR 1.16(s))					
FIRST PRESENTATION OF MULTIPLE DEPENDENT CLAIM (37 CFR 1.16(j))					

RATE(\$)	ADDITIONAL FEE(\$)
x =	
x =	
TOTAL ADD'L FEE	

**OR OTHER THAN SMALL ENTITY**

RATE(\$)	ADDITIONAL FEE(\$)
x =	
x =	
TOTAL ADD'L FEE	

\* If the entry in column 1 is less than the entry in column 2, write "0" in column 3.

\*\* If the "Highest Number Previously Paid For" IN THIS SPACE is less than 20, enter "20".

\*\*\* If the "Highest Number Previously Paid For" IN THIS SPACE is less than 3, enter "3".

The "Highest Number Previously Paid For" (Total or Independent) is the highest found in the appropriate box in column 1.



APPLICATION NUMBER	FILING OR 371(C) DATE	FIRST NAMED APPLICANT	ATTY. DOCKET NO./TITLE
13/536,700	06/28/2012	Robin Jason Lopulalan	237494-000061

**CONFIRMATION NO. 4371**

84310  
Troutman Sanders LLP  
The Chrysler Building  
405 Lexington Avenue  
New York, NY 10174

**NOTICE**



Date Mailed: 09/18/2012

**INFORMATIONAL NOTICE TO APPLICANT**

Applicant is notified that the above-identified application contains the deficiencies noted below. No period for reply is set forth in this notice for correction of these deficiencies. However, if a deficiency relates to the inventor's oath or declaration, the applicant must file an oath or declaration in compliance with 37 CFR 1.63, or a substitute statement in compliance with 37 CFR 1.64, executed by or with respect to each actual inventor no later than the expiration of the time period set in the "Notice of Allowability" to avoid abandonment. See 37 CFR 1.53(f).

The item(s) indicated below are also required and should be submitted with any reply to this notice to avoid further processing delays.

**A new oath or declaration, identifying this application number, or, if appropriate, an application data sheet (37 CFR 1.76), is required. The oath or declaration does not comply with 37 CFR 1.63 in that it:**

- does not identify the residence (e.g., city and either state or foreign country) of each inventor.
- does not identify the complete mailing or post office address of each inventor.



UNITED STATES PATENT AND TRADEMARK OFFICE

UNITED STATES DEPARTMENT OF COMMERCE
United States Patent and Trademark Office
Address: COMMISSIONER FOR PATENTS
P.O. Box 1450
Alexandria, Virginia 22313-1450
www.uspto.gov

Table with 7 columns: APPLICATION NUMBER, FILING or 371(c) DATE, GRP ART UNIT, FIL FEE REC'D, ATTY. DOCKET NO, TOT CLAIMS, IND CLAIMS. Row 1: 13/536,700, 06/28/2012, 2447, 1380, 237494-000061, 20, 2

CONFIRMATION NO. 4371

UPDATED FILING RECEIPT



84310
Troutman Sanders LLP
The Chrysler Building
405 Lexington Avenue
New York, NY 10174

Date Mailed: 09/18/2012

Receipt is acknowledged of this non-provisional patent application. The application will be taken up for examination in due course. Applicant will be notified as to the results of the examination. Any correspondence concerning the application must include the following identification information: the U.S. APPLICATION NUMBER, FILING DATE, NAME OF APPLICANT, and TITLE OF INVENTION. Fees transmitted by check or draft are subject to collection. Please verify the accuracy of the data presented on this receipt. If an error is noted on this Filing Receipt, please submit a written request for a Filing Receipt Correction. Please provide a copy of this Filing Receipt with the changes noted thereon. If you received a "Notice to File Missing Parts" for this application, please submit any corrections to this Filing Receipt with your reply to the Notice. When the USPTO processes the reply to the Notice, the USPTO will generate another Filing Receipt incorporating the requested corrections

Inventor(s) Robin Jason Lopulalan, Residence Not Provided;

Applicant(s) Robin Jason Lopulalan, Residence Not Provided;

Power of Attorney: None

Domestic Priority data as claimed by applicant

Foreign Applications (You may be eligible to benefit from the Patent Prosecution Highway program at the USPTO. Please see http://www.uspto.gov for more information.)

If Required, Foreign Filing License Granted: 07/16/2012

The country code and number of your priority application, to be used for filing abroad under the Paris Convention, is US 13/536,700

Projected Publication Date: 01/02/2014

Non-Publication Request: No

Early Publication Request: No

**Title**

Online Peer Review System and Method

**Preliminary Class**

709

**PROTECTING YOUR INVENTION OUTSIDE THE UNITED STATES**

Since the rights granted by a U.S. patent extend only throughout the territory of the United States and have no effect in a foreign country, an inventor who wishes patent protection in another country must apply for a patent in a specific country or in regional patent offices. Applicants may wish to consider the filing of an international application under the Patent Cooperation Treaty (PCT). An international (PCT) application generally has the same effect as a regular national patent application in each PCT-member country. The PCT process **simplifies** the filing of patent applications on the same invention in member countries, but **does not result** in a grant of "an international patent" and does not eliminate the need of applicants to file additional documents and fees in countries where patent protection is desired.

Almost every country has its own patent law, and a person desiring a patent in a particular country must make an application for patent in that country in accordance with its particular laws. Since the laws of many countries differ in various respects from the patent law of the United States, applicants are advised to seek guidance from specific foreign countries to ensure that patent rights are not lost prematurely.

Applicants also are advised that in the case of inventions made in the United States, the Director of the USPTO must issue a license before applicants can apply for a patent in a foreign country. The filing of a U.S. patent application serves as a request for a foreign filing license. The application's filing receipt contains further information and guidance as to the status of applicant's license for foreign filing.

Applicants may wish to consult the USPTO booklet, "General Information Concerning Patents" (specifically, the section entitled "Treaties and Foreign Patents") for more information on timeframes and deadlines for filing foreign patent applications. The guide is available either by contacting the USPTO Contact Center at 800-786-9199, or it can be viewed on the USPTO website at <http://www.uspto.gov/web/offices/pac/doc/general/index.html>.

For information on preventing theft of your intellectual property (patents, trademarks and copyrights), you may wish to consult the U.S. Government website, <http://www.stopfakes.gov>. Part of a Department of Commerce initiative, this website includes self-help "toolkits" giving innovators guidance on how to protect intellectual property in specific countries such as China, Korea and Mexico. For questions regarding patent enforcement issues, applicants may call the U.S. Government hotline at 1-866-999-HALT (1-866-999-4158).

**LICENSE FOR FOREIGN FILING UNDER****Title 35, United States Code, Section 184****Title 37, Code of Federal Regulations, 5.11 & 5.15****GRANTED**

The applicant has been granted a license under 35 U.S.C. 184, if the phrase "IF REQUIRED, FOREIGN FILING LICENSE GRANTED" followed by a date appears on this form. Such licenses are issued in all applications where the conditions for issuance of a license have been met, regardless of whether or not a license may be required as

set forth in 37 CFR 5.15. The scope and limitations of this license are set forth in 37 CFR 5.15(a) unless an earlier license has been issued under 37 CFR 5.15(b). The license is subject to revocation upon written notification. The date indicated is the effective date of the license, unless an earlier license of similar scope has been granted under 37 CFR 5.13 or 5.14.

This license is to be retained by the licensee and may be used at any time on or after the effective date thereof unless it is revoked. This license is automatically transferred to any related applications(s) filed under 37 CFR 1.53(d). This license is not retroactive.

The grant of a license does not in any way lessen the responsibility of a licensee for the security of the subject matter as imposed by any Government contract or the provisions of existing laws relating to espionage and the national security or the export of technical data. Licensees should apprise themselves of current regulations especially with respect to certain countries, of other agencies, particularly the Office of Defense Trade Controls, Department of State (with respect to Arms, Munitions and Implements of War (22 CFR 121-128)); the Bureau of Industry and Security, Department of Commerce (15 CFR parts 730-774); the Office of Foreign Assets Control, Department of Treasury (31 CFR Parts 500+) and the Department of Energy.

#### **NOT GRANTED**

No license under 35 U.S.C. 184 has been granted at this time, if the phrase "IF REQUIRED, FOREIGN FILING LICENSE GRANTED" DOES NOT appear on this form. Applicant may still petition for a license under 37 CFR 5.12, if a license is desired before the expiration of 6 months from the filing date of the application. If 6 months has lapsed from the filing date of this application and the licensee has not received any indication of a secrecy order under 35 U.S.C. 181, the licensee may foreign file the application pursuant to 37 CFR 5.15(b).

---

### ***SelectUSA***

The United States represents the largest, most dynamic marketplace in the world and is an unparalleled location for business investment, innovation and commercialization of new technologies. The USA offers tremendous resources and advantages for those who invest and manufacture goods here. Through SelectUSA, our nation works to encourage, facilitate, and accelerate business investment. To learn more about why the USA is the best country in the world to develop technology, manufacture products, and grow your business, visit [SelectUSA.gov](http://SelectUSA.gov).

IN THE UNITED STATES PATENT AND TRADEMARK OFFICE

In re Application of: Robin Lopulalan	)	Conf. No. 4371
	)	
Serial No.: 13/536,700	)	Art Unit: 2447
	)	
Filed: 06-28-2012	)	Examiner:
	)	
For <b>Online Peer Review System and Method</b>	)	Docket No.: 237494-000061
	)	

---

RESPONSE TO NOTICE TO NOTICE TO FILE MISSING PARTS

---

Commissioner for Patents  
P.O. Box 1450  
Alexandria, Virginia 22313-1450

Sir:

In response to the above-referenced Notice, applicant submits replacement drawings. No new matter has been added.

Applicant also submits a properly signed Declaration.

A surcharge under 37 CFR 1.16(f) of \$130.00 is required. The Commissioner is hereby authorized to charge any fees that may be required, or credit any overpayment, to Deposit Account No. 20-1507.

Respectfully submitted,

/Suraj K. Balusu 65,519/  
Suraj K. Balusu  
Reg. No. 65,519  
Correspondence Address:  
**Customer Number 84310**  
Troutman Sanders LLP  
405 Lexington Ave  
New York, NY 10174-0700

## DECLARATION (37 CFR 1.63) FOR UTILITY OR DESIGN APPLICATION USING AN APPLICATION DATA SHEET (37 CFR 1.76)

<b>Title of Invention</b>	Online Peer Review System and Method
---------------------------	--------------------------------------

As the below named inventor(s), I/we declare that:

This declaration is directed to:

The attached application, or

United States application or PCT international application number 13/536,700

filed on \_\_\_\_\_

As amended on \_\_\_\_\_ (if applicable);

I/we believe that I/we am/are the original and first inventor(s) of the subject matter which is claimed and for which a patent is sought;

I/we have reviewed and understand the contents of the above-identified application, including the claims, as amended by any amendment specifically referred to above;

I/we acknowledge the duty to disclose to the United States Patent and Trademark Office all information known to me/us to be material to patentability as defined in 37 CFR 1.56, including for continuation-in-part applications, material information which became available between the filing date of the prior application and the national or PCT International filing date of the continuation-in-part application.

### WARNING:

Petitioner/applicant is cautioned to avoid submitting personal information in documents filed in a patent application that may contribute to identity theft. Personal information such as social security numbers, bank account numbers, or credit card numbers (other than a check or credit card authorization form PTO-2038 submitted for payment purposes) is never required by the USPTO to support a petition or an application. If this type of personal information is included in documents submitted to the USPTO, petitioners/applicants should consider redacting such personal information from the documents before submitting them to the USPTO. Petitioner/applicant is advised that the record of a patent application is available to the public after publication of the application (unless a non-publication request in compliance with 37 CFR 1.213(a) is made in the application) or issuance of a patent. Furthermore, the record from an abandoned application may also be available to the public if the application is referenced in a published application or an issued patent (see 37 CFR 1.14). Checks and credit card authorization forms PTO-2038 submitted for payment purposes are not retained in the application file and therefore are not publicly available.

All statements made herein of my/our own knowledge are true, all statements made herein on information and belief are believed to be true, and further that these statements were made with the knowledge that willful false statements and the like are punishable by fine or imprisonment, or both, under 18 U.S.C. 1001, and may jeopardize the validity of the application or any patent issuing thereon.

#### FULL NAME OF INVENTOR(S)

Inventor one: Robin Jason Lopulalan Date: 3 September 2012

Signature: [Signature] Citizen of: The Netherlands

Inventor two: \_\_\_\_\_ Date: \_\_\_\_\_

Signature: \_\_\_\_\_ Citizen of: \_\_\_\_\_

Additional inventors or a legal representative are being named on \_\_\_\_\_ additional form(s) attached hereto.

This collection of information is required by 35 U.S.C. 115 and 37 CFR 1.63. The information is required to obtain or retain a benefit by the public which is to file (and by the USPTO to process) an application. Confidentiality is governed by 35 U.S.C. 122 and 37 CFR 1.11 and 1.14. This collection is estimated to take 1 minute to complete, including gathering, preparing, and submitting the completed application form to the USPTO. Time will vary depending upon the individual case. Any comments on the amount of time you require to complete this form and/or suggestions for reducing this burden, should be sent to the Chief Information Officer, U.S. Patent and Trademark Office, U.S. Department of Commerce, P.O. Box 1450, Alexandria, VA 22313-1450. DO NOT SEND FEES OR COMPLETED FORMS TO THIS ADDRESS. SEND TO: Commissioner for Patents, P.O. Box 1450, Alexandria, VA 22313-1450.

*If you need assistance in completing the form, call 1-800-PTO-9199 and select option 2.*

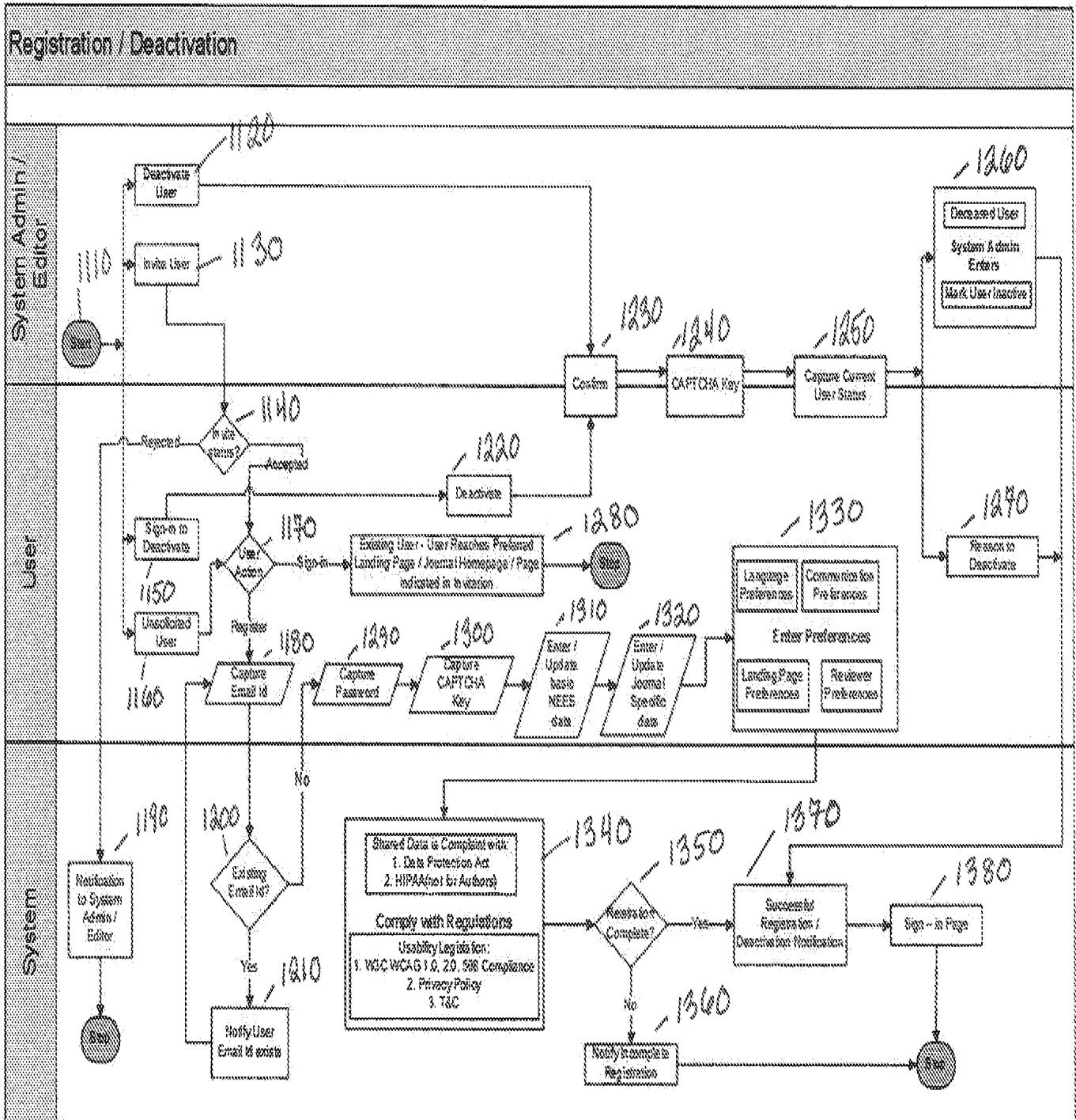


FIGURE 1

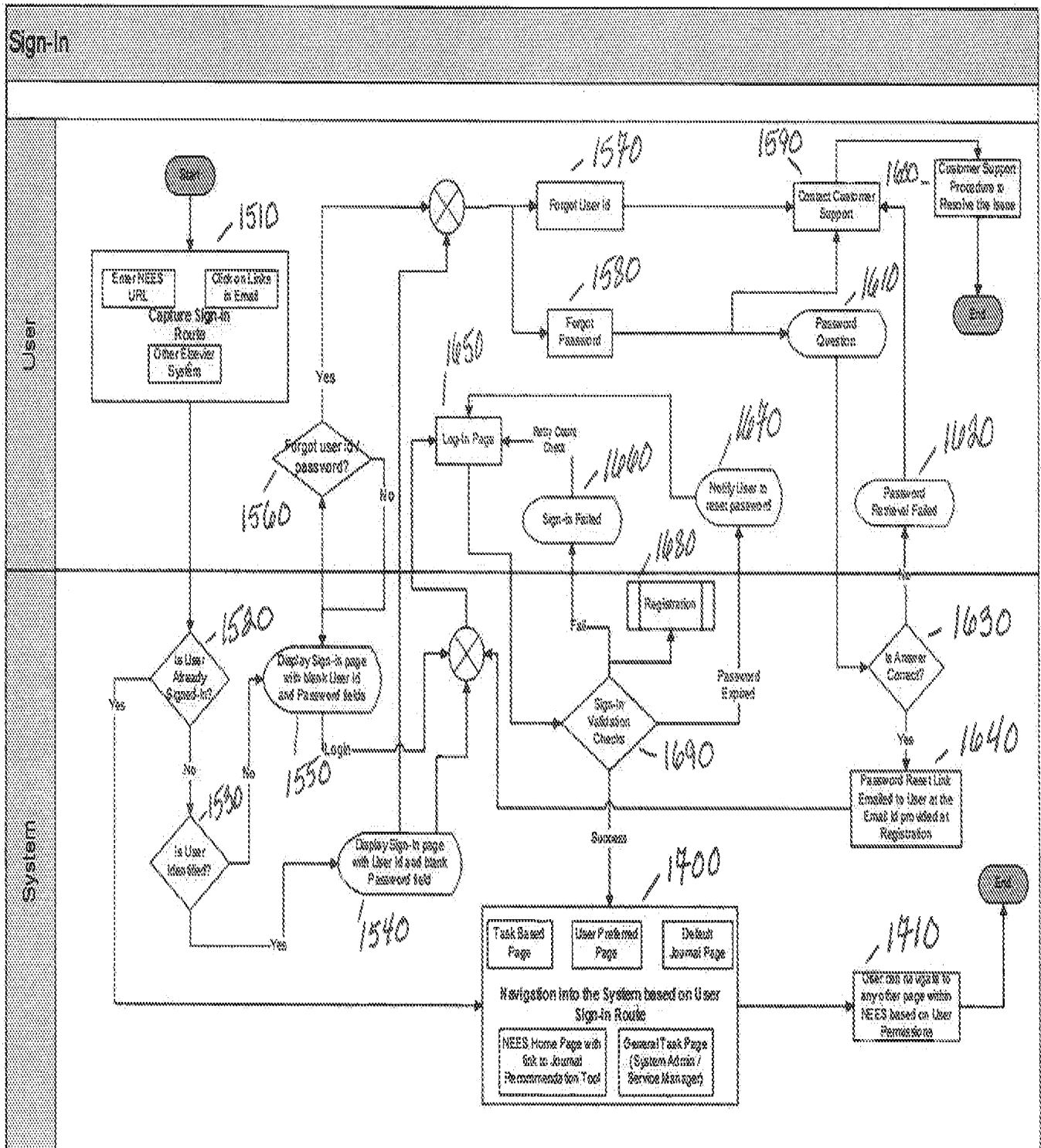


FIGURE 2



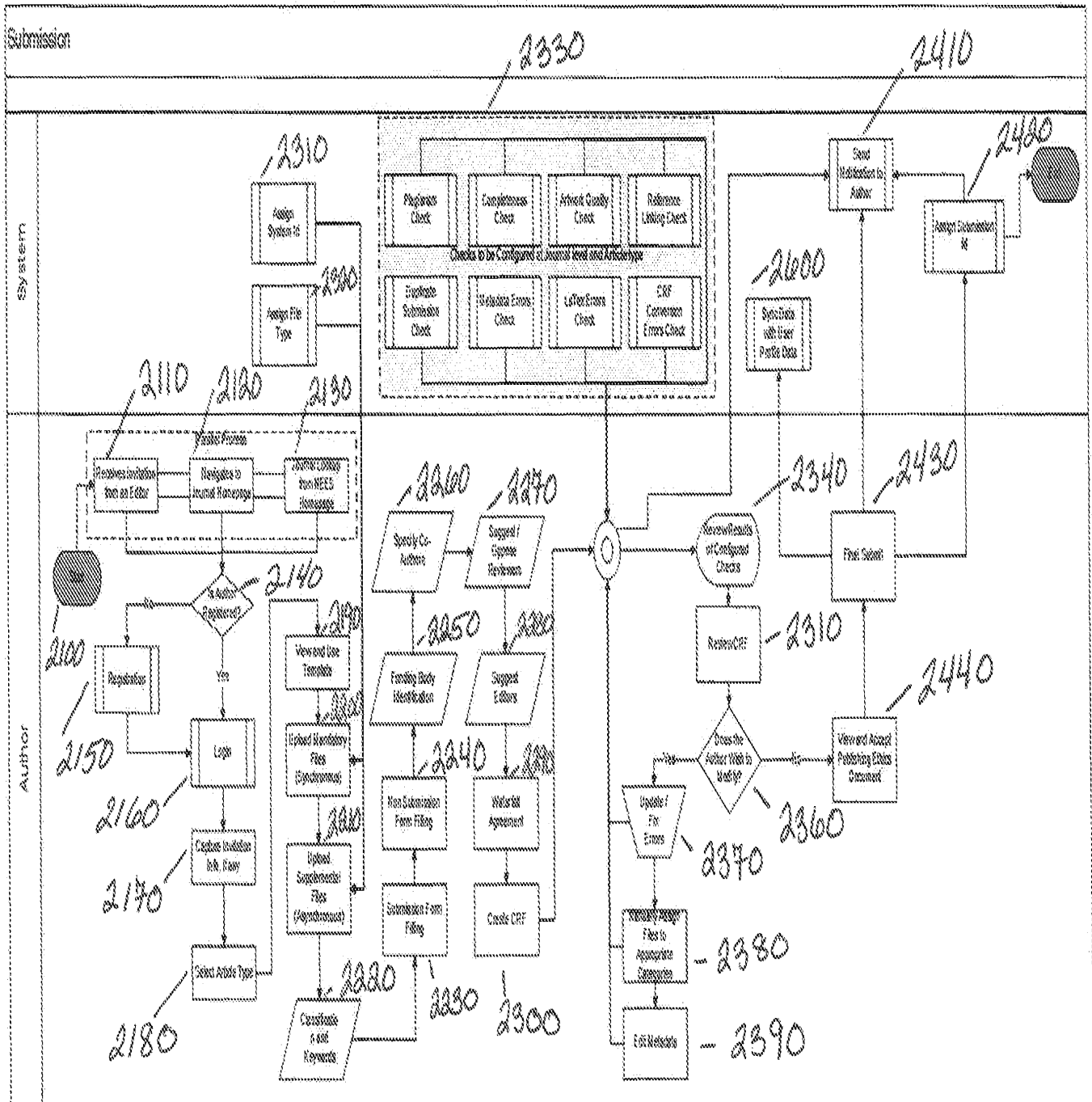


FIGURE 3

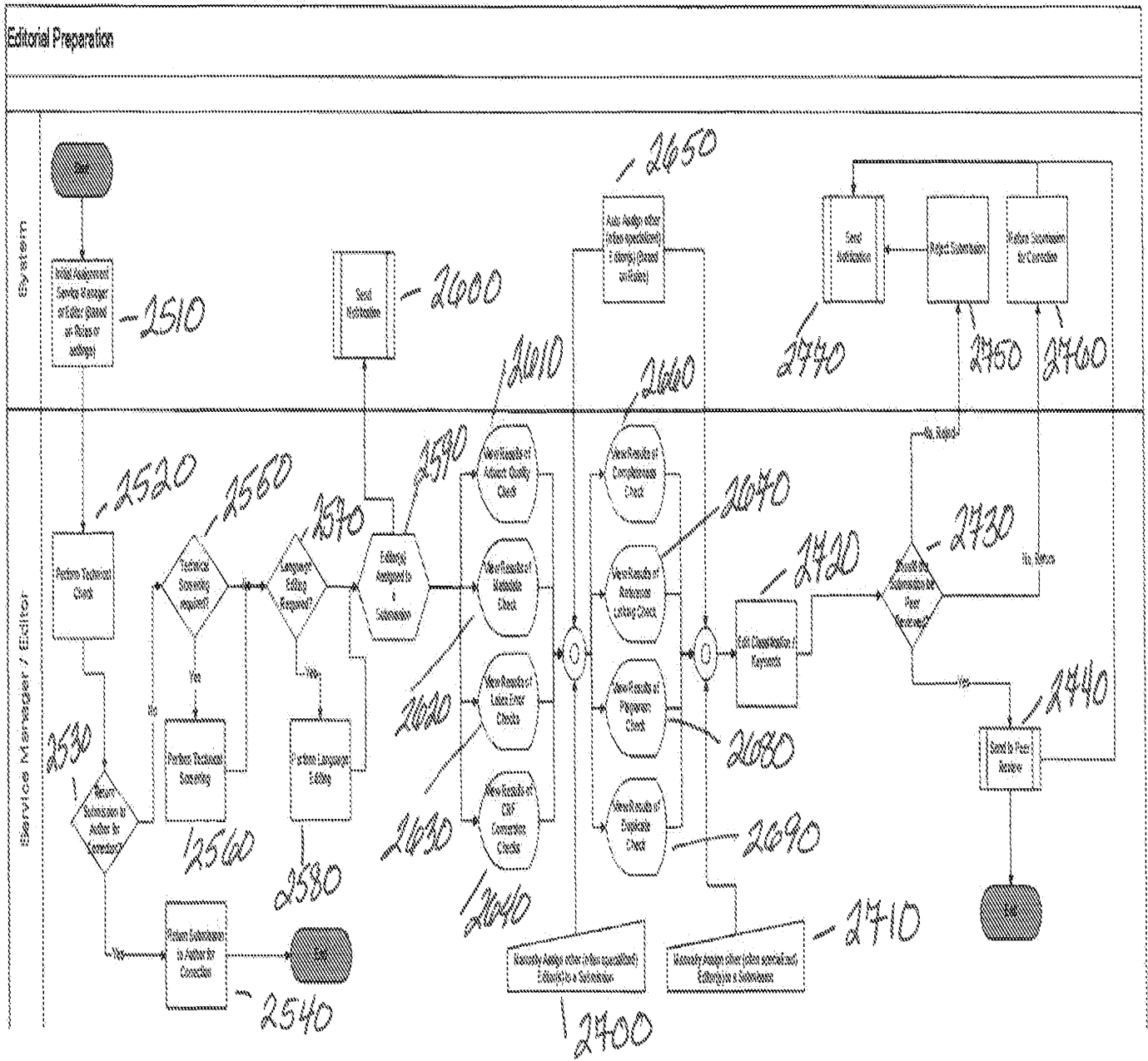


FIGURE 4

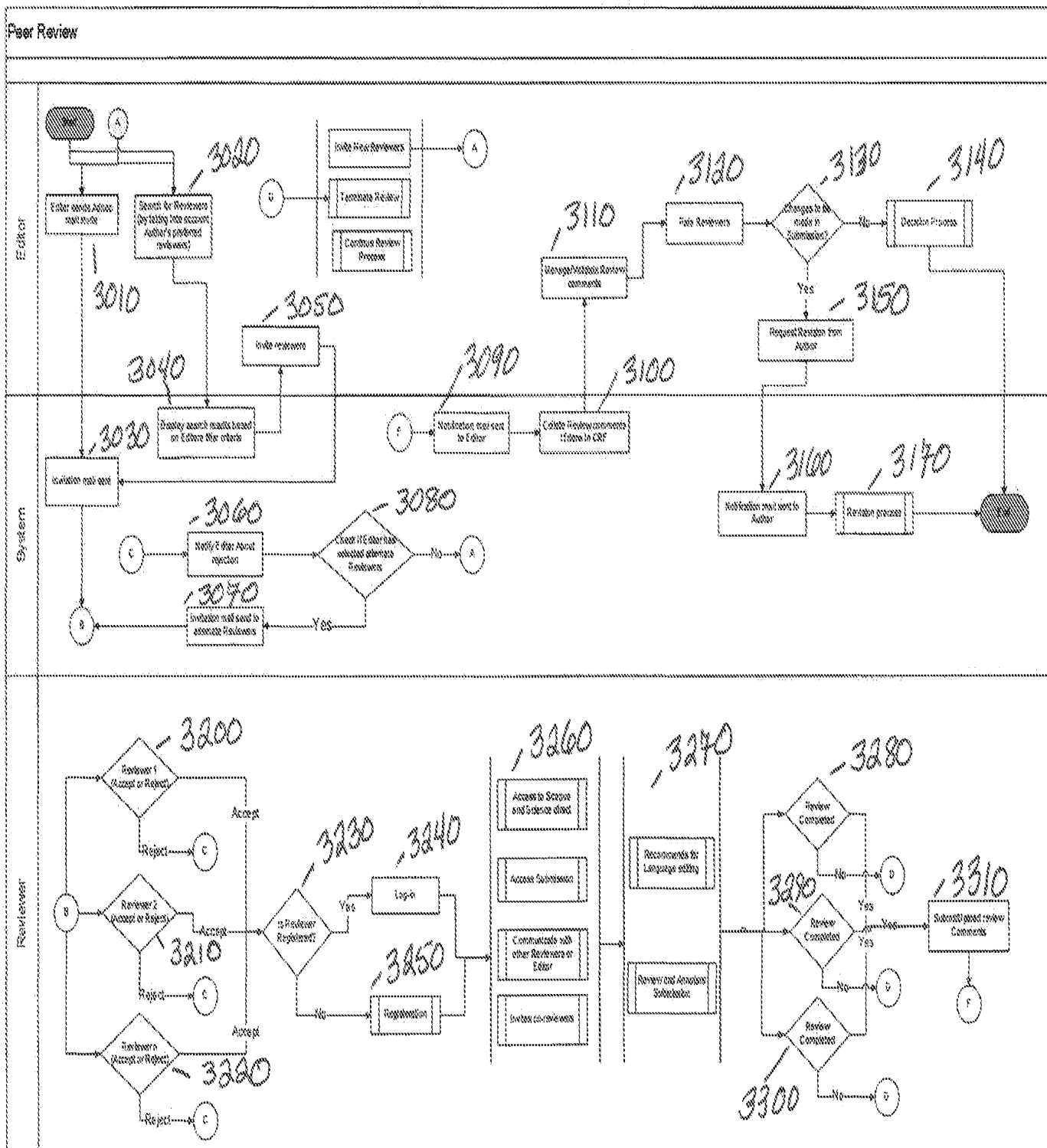


FIGURE 5

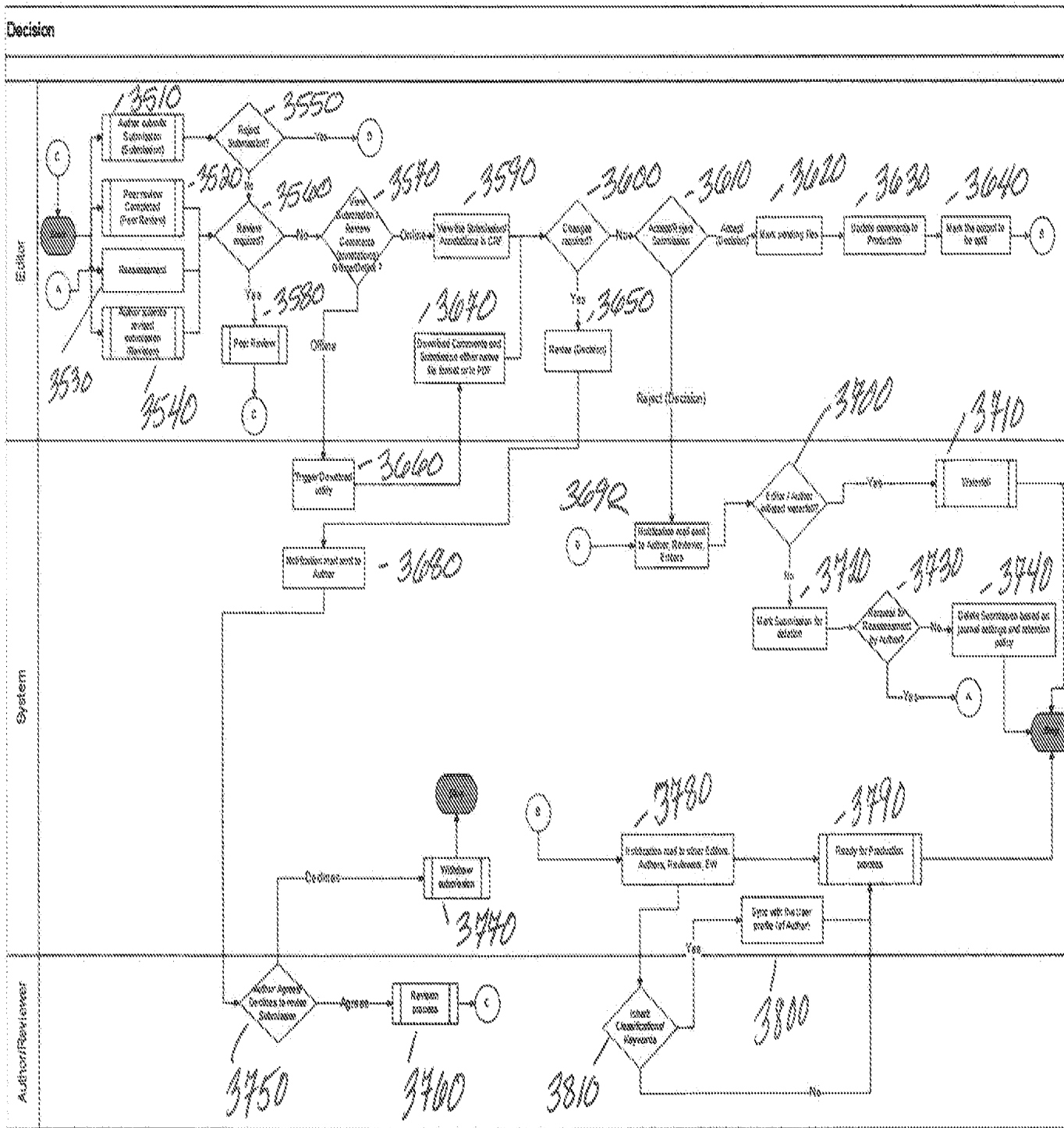


FIGURE 6

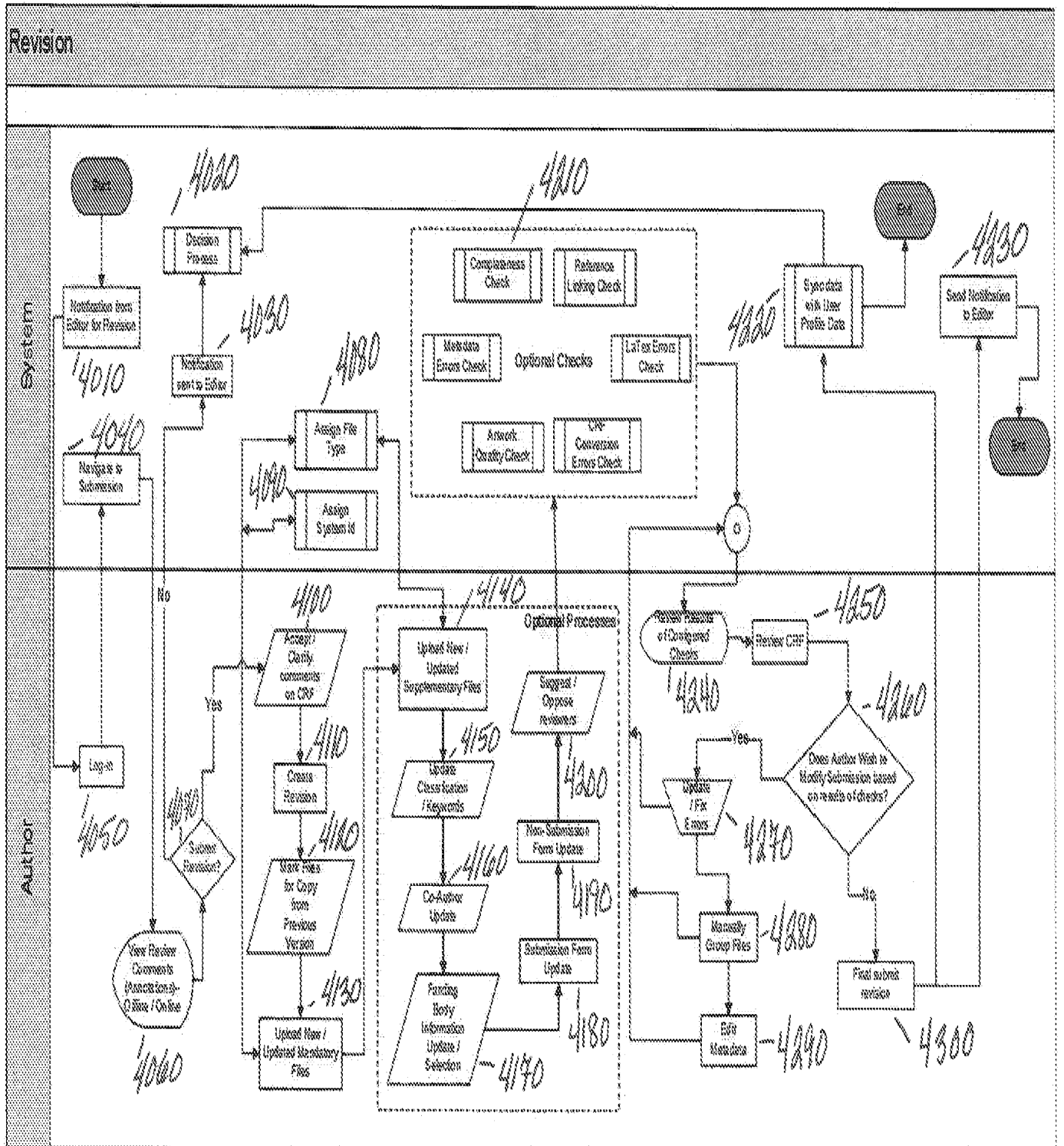
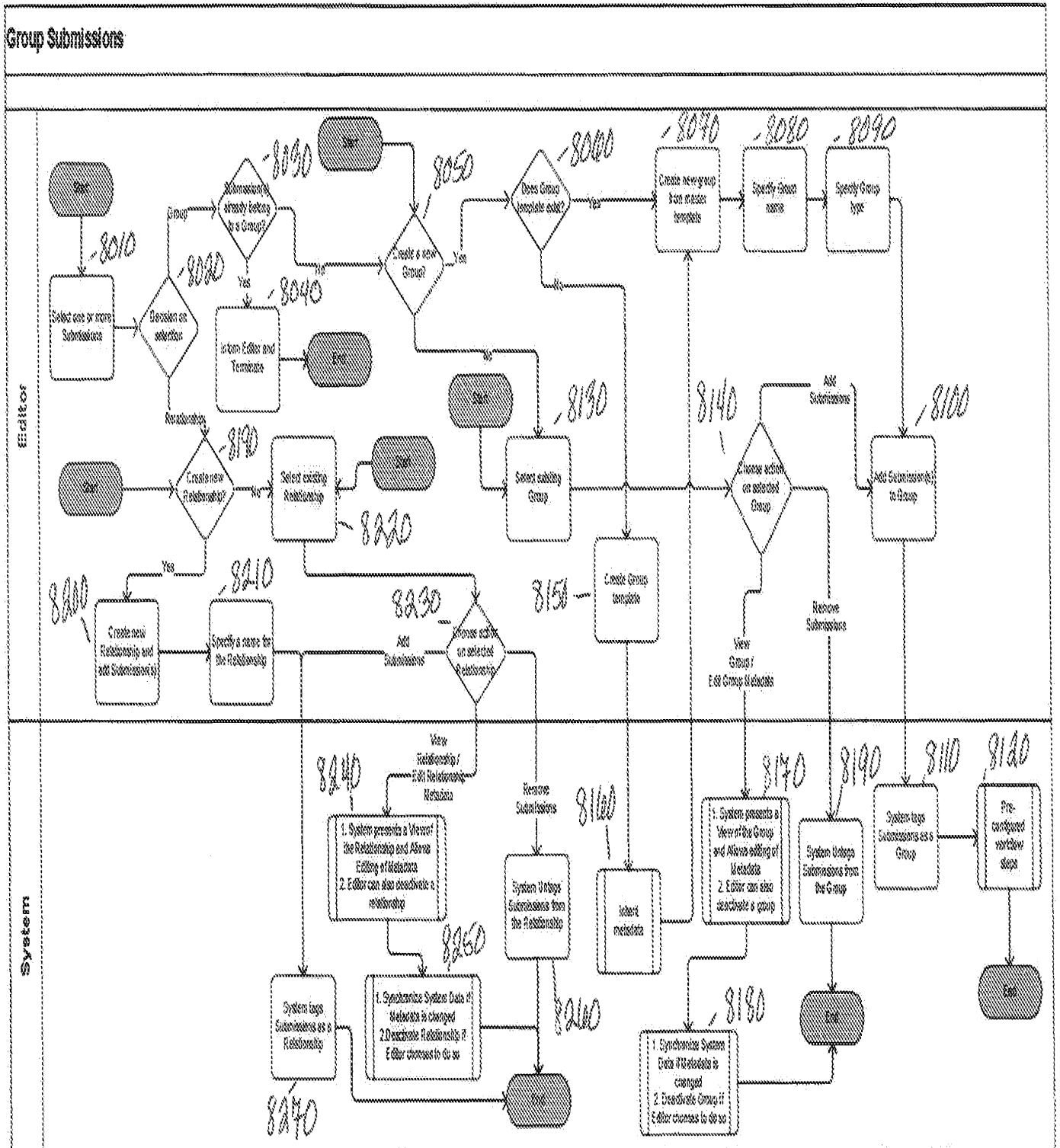


FIGURE 7





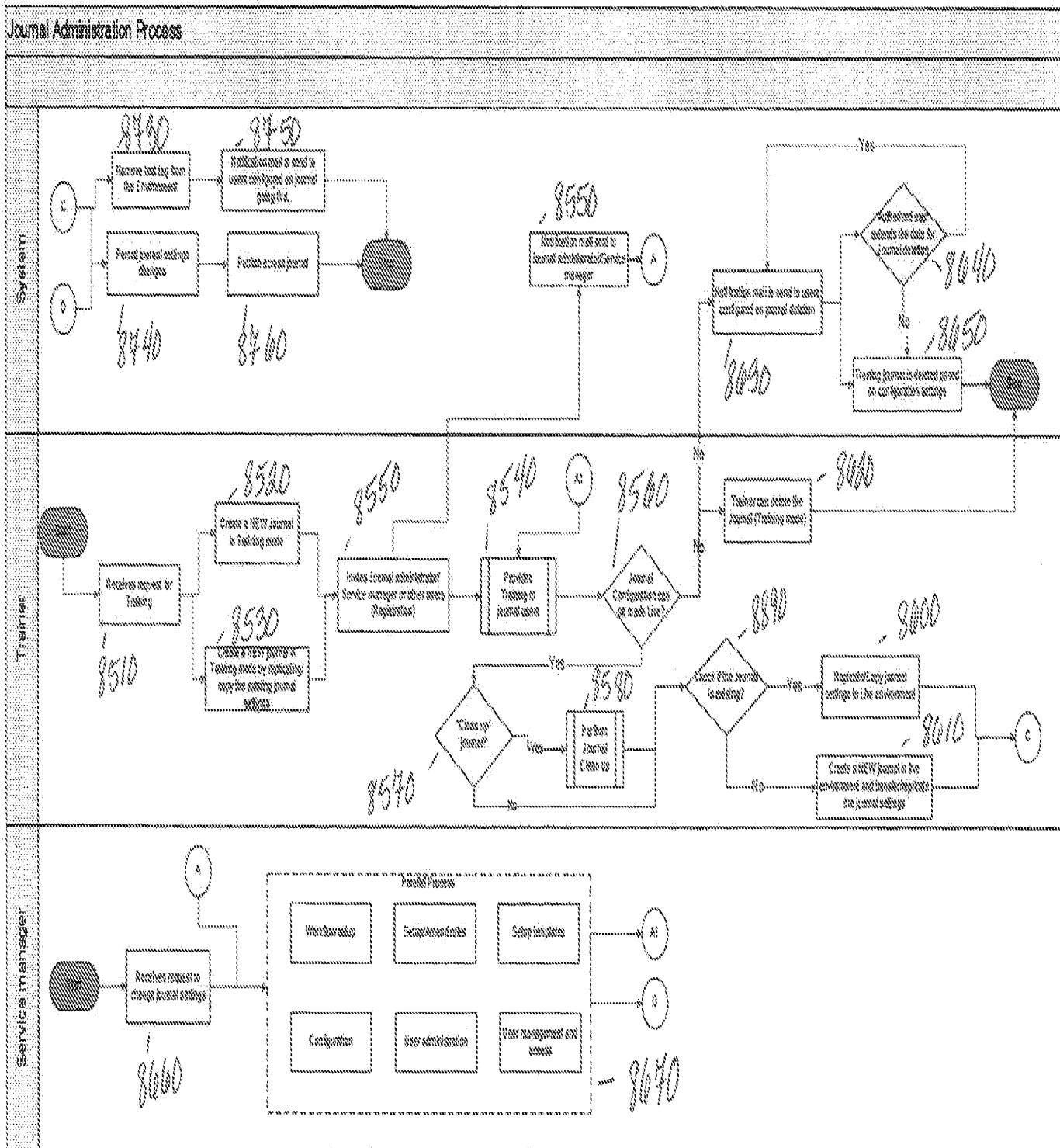


FIGURE 10



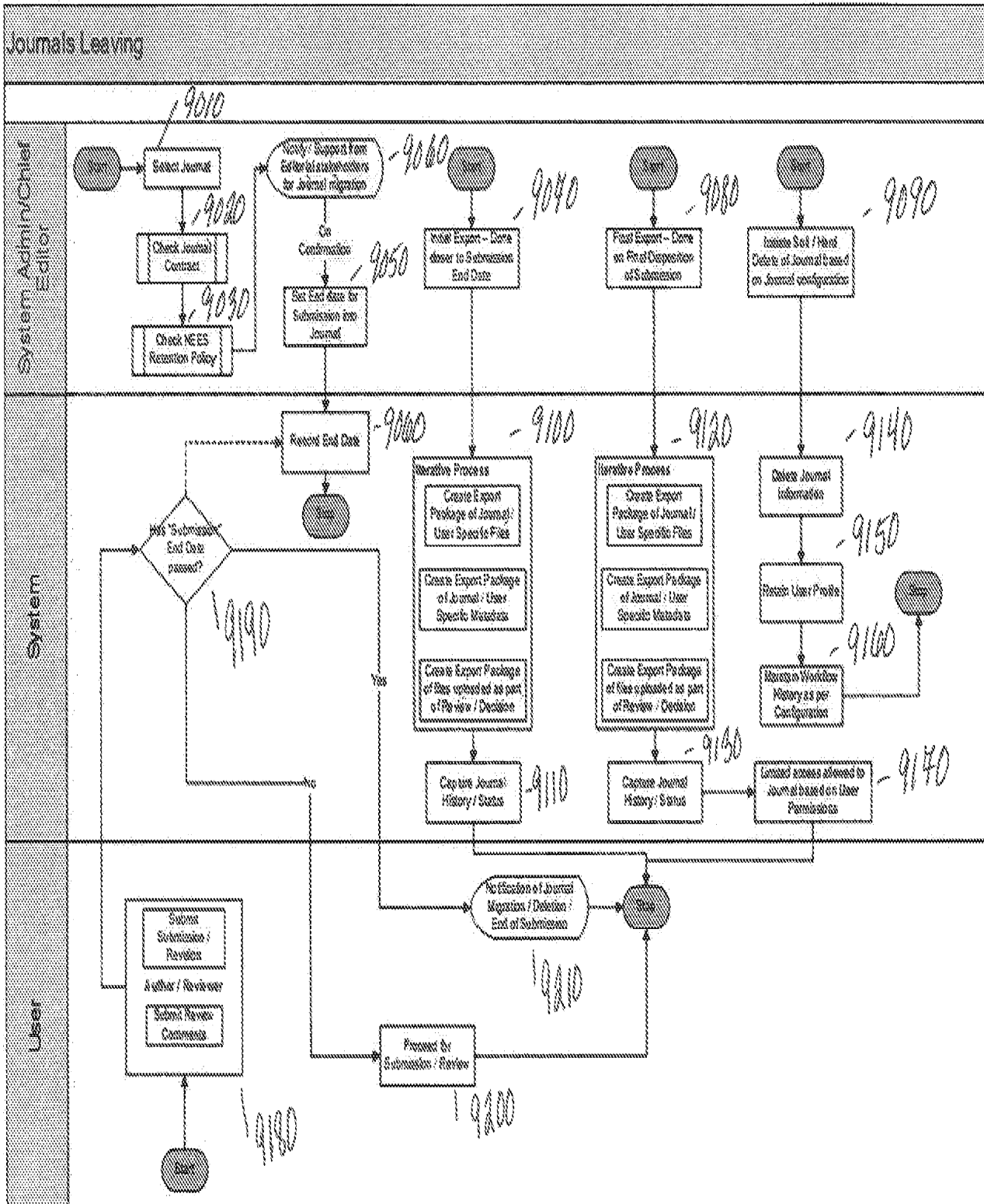


FIGURE 11

## Electronic Patent Application Fee Transmittal

<b>Application Number:</b>	13536700
<b>Filing Date:</b>	28-Jun-2012
<b>Title of Invention:</b>	Online Peer Review System and Method
<b>First Named Inventor/Applicant Name:</b>	Robin Lopulalan
<b>Filer:</b>	Suraj Balusu
<b>Attorney Docket Number:</b>	237494-000061

Filed as Large Entity

### Utility under 35 USC 111(a) Filing Fees

Description	Fee Code	Quantity	Amount	Sub-Total in USD(\$)
<b>Basic Filing:</b>				
<b>Pages:</b>				
<b>Claims:</b>				
<b>Miscellaneous-Filing:</b>				
Late filing fee for oath or declaration	1051	1	130	130

**Petition:**

**Patent-Appeals-and-Interference:**

**Post-Allowance-and-Post-Issuance:**

**Extension-of-Time:**

Description	Fee Code	Quantity	Amount	Sub-Total in USD(\$)
<b>Miscellaneous:</b>				
<b>Total in USD (\$)</b>				<b>130</b>

## Electronic Acknowledgement Receipt

<b>EFS ID:</b>	13694493
<b>Application Number:</b>	13536700
<b>International Application Number:</b>	
<b>Confirmation Number:</b>	4371
<b>Title of Invention:</b>	Online Peer Review System and Method
<b>First Named Inventor/Applicant Name:</b>	Robin Lopulalan
<b>Customer Number:</b>	84310
<b>Filer:</b>	Suraj Balusu
<b>Filer Authorized By:</b>	
<b>Attorney Docket Number:</b>	237494-000061
<b>Receipt Date:</b>	10-SEP-2012
<b>Filing Date:</b>	28-JUN-2012
<b>Time Stamp:</b>	10:38:50
<b>Application Type:</b>	Utility under 35 USC 111(a)

### Payment information:

Submitted with Payment	yes
Payment Type	Deposit Account
Payment was successfully received in RAM	\$130
RAM confirmation Number	10386
Deposit Account	201507
Authorized User	

### File Listing:

Document Number	Document Description	File Name	File Size(Bytes)/ Message Digest	Multi Part /.zip	Pages (if appl.)
-----------------	----------------------	-----------	----------------------------------	------------------	------------------

1	Applicant Response to Pre-Exam Formalities Notice	Response.pdf	16473 0e5059fab2f19626f3908d18ab1650e91e086012	no	1
<b>Warnings:</b>					
<b>Information:</b>					
2	Oath or Declaration filed	Declaration.PDF	119991 667acd5f3bd113fb43549c5270b9cde9ae843c4	no	1
<b>Warnings:</b>					
The page size in the PDF is too large. The pages should be 8.5 x 11 or A4. If this PDF is submitted, the pages will be resized upon entry into the Image File Wrapper and may affect subsequent processing					
<b>Information:</b>					
3	Drawings-only black and white line drawings	REPLACEMENTDRAWINGS61.pdf	5476139 322bd80c338bfa2dd600b5d07bee8ac628558006	no	11
<b>Warnings:</b>					
<b>Information:</b>					
4	Fee Worksheet (SB06)	fee-info.pdf	29985 bfe6858fdced6b5c4772c03ba306018fc330d9d3	no	2
<b>Warnings:</b>					
<b>Information:</b>					
<b>Total Files Size (in bytes):</b>				5642588	
<p><b>This Acknowledgement Receipt evidences receipt on the noted date by the USPTO of the indicated documents, characterized by the applicant, and including page counts, where applicable. It serves as evidence of receipt similar to a Post Card, as described in MPEP 503.</b></p> <p><b><u>New Applications Under 35 U.S.C. 111</u></b>  <b>If a new application is being filed and the application includes the necessary components for a filing date (see 37 CFR 1.53(b)-(d) and MPEP 506), a Filing Receipt (37 CFR 1.54) will be issued in due course and the date shown on this Acknowledgement Receipt will establish the filing date of the application.</b></p> <p><b><u>National Stage of an International Application under 35 U.S.C. 371</u></b>  <b>If a timely submission to enter the national stage of an international application is compliant with the conditions of 35 U.S.C. 371 and other applicable requirements a Form PCT/DO/EO/903 indicating acceptance of the application as a national stage submission under 35 U.S.C. 371 will be issued in addition to the Filing Receipt, in due course.</b></p> <p><b><u>New International Application Filed with the USPTO as a Receiving Office</u></b>  <b>If a new international application is being filed and the international application includes the necessary components for an international filing date (see PCT Article 11 and MPEP 1810), a Notification of the International Application Number and of the International Filing Date (Form PCT/RO/105) will be issued in due course, subject to prescriptions concerning national security, and the date shown on this Acknowledgement Receipt will establish the international filing date of the application.</b></p>					

## SCORE Placeholder Sheet for IFW Content

Application Number: 13536700

Document Date: 9/10/2012

The presence of this form in the IFW record indicates that the following document type was received in electronic format on the date identified above. This content is stored in the SCORE database.

- Drawings – Other than Black and White Line Drawings

Since this was an electronic submission, there is no physical artifact folder, no artifact folder is recorded in PALM, and no paper documents or physical media exist. The TIFF images in the IFW record were created from the original documents that are stored in SCORE.

To access the documents in the SCORE database, refer to instructions developed by SIRA.

At the time of document entry (noted above):

- Examiners may access SCORE content via the eDAN interface.
- Other USPTO employees can bookmark the current SCORE URL (<http://es/ScoreAccessWeb/>).
- External customers may access SCORE content via the Public and Private PAIR interfaces.



UNITED STATES PATENT AND TRADEMARK OFFICE

UNITED STATES DEPARTMENT OF COMMERCE
United States Patent and Trademark Office
Address: COMMISSIONER FOR PATENTS
P.O. Box 1450
Alexandria, Virginia 22313-1450
www.uspto.gov

Table with 4 columns: APPLICATION NUMBER (13/536,700), FILING OR 371(C) DATE (06/28/2012), FIRST NAMED APPLICANT (Robin Lopulalan), ATTY. DOCKET NO./TITLE (237494-000061)

CONFIRMATION NO. 4371

FORMALITIES LETTER



84310
Troutman Sanders LLP
The Chrysler Building
405 Lexington Avenue
New York, NY 10174

Date Mailed: 07/19/2012

NOTICE TO FILE MISSING PARTS OF NONPROVISIONAL APPLICATION

FILED UNDER 37 CFR 1.53(b)

Filing Date Granted

Items Required To Avoid Abandonment:

An application number and filing date have been accorded to this application. The item(s) indicated below, however, are missing. Applicant is given TWO MONTHS from the date of this Notice within which to file all required items below to avoid abandonment.

- The oath or declaration is missing. A properly signed oath or declaration in compliance with 37 CFR 1.63, identifying the application by the above Application Number and Filing Date, is required. Note: If a petition under 37 CFR 1.47 is being filed, an oath or declaration in compliance with 37 CFR 1.63 signed by all available joint inventors, or if no inventor is available by a party with sufficient proprietary interest, is required.

The application is informal since it does not comply with the regulations for the reason(s) indicated below.

The required item(s) identified below must be timely submitted to avoid abandonment:

- Replacement drawings in compliance with 37 CFR 1.84 and 37 CFR 1.121(d) are required. The drawings submitted are not acceptable because: The drawings are not in compliance with 37 CFR 1.84 because figures all contain figure or view numbers that have incorrect orientation. Reference characters, sheet numbers, and view numbers must be oriented in the same direction as the view. See 37 CFR 1.84(p)(1).

Applicant is cautioned that correction of the above items may cause the specification and drawings page count to exceed 100 pages. If the specification and drawings exceed 100 pages, applicant will need to submit the required application size fee.

The applicant needs to satisfy supplemental fees problems indicated below.

The required item(s) identified below must be timely submitted to avoid abandonment:

- A surcharge (for late submission of filing fee, search fee, examination fee or oath or declaration) as set forth in 37 CFR 1.16(f) of \$130 for a non-small entity, must be submitted.

**SUMMARY OF FEES DUE:**

Total fee(s) required within **TWO MONTHS** from the date of this Notice is **\$130** for a non-small entity  
• **\$130** Surcharge.

Replies should be mailed to:

Mail Stop Missing Parts  
Commissioner for Patents  
P.O. Box 1450  
Alexandria VA 22313-1450

Registered users of EFS-Web may alternatively submit their reply to this notice via EFS-Web.  
<https://portal.uspto.gov/authenticate/AuthenticateUserLocalEPF.html>

For more information about EFS-Web please call the USPTO Electronic Business Center at **1-866-217-9197** or visit our website at <http://www.uspto.gov/ebc>.

If you are not using EFS-Web to submit your reply, you must include a copy of this notice.

*/afessehaye/*

---

Office of Data Management, Application Assistance Unit (571) 272-4000, or (571) 272-4200, or 1-888-786-0101



**PATENT APPLICATION FEE DETERMINATION RECORD**

Substitute for Form PTO-875

Application or Docket Number  
13/536,700

**APPLICATION AS FILED - PART I**

(Column 1) (Column 2)

FOR	NUMBER FILED	NUMBER EXTRA
BASIC FEE (37 CFR 1.16(a), (b), or (c))	N/A	N/A
SEARCH FEE (37 CFR 1.16(k), (l), or (m))	N/A	N/A
EXAMINATION FEE (37 CFR 1.16(o), (p), or (q))	N/A	N/A
TOTAL CLAIMS (37 CFR 1.16(j))	20	minus 20 = *
INDEPENDENT CLAIMS (37 CFR 1.16(h))	2	minus 3 = *
APPLICATION SIZE FEE (37 CFR 1.16(s))	If the specification and drawings exceed 100 sheets of paper, the application size fee due is \$310 (\$155 for small entity) for each additional 50 sheets or fraction thereof. See 35 U.S.C. 41(a)(1)(G) and 37 CFR 1.16(s).	
MULTIPLE DEPENDENT CLAIM PRESENT (37 CFR 1.16(j))		

**SMALL ENTITY**

RATE(\$)	FEE(\$)
N/A	
N/A	
N/A	
TOTAL	

**OR OTHER THAN SMALL ENTITY**

RATE(\$)	FEE(\$)
N/A	380
N/A	620
N/A	250
x 60 =	0.00
x 250 =	0.00
	0.00
	0.00
TOTAL	1250

\* If the difference in column 1 is less than zero, enter "0" in column 2.

**APPLICATION AS AMENDED - PART II**

(Column 1) (Column 2) (Column 3)

AMENDMENT A		CLAIMS REMAINING AFTER AMENDMENT		HIGHEST NUMBER PREVIOUSLY PAID FOR	PRESENT EXTRA
	Total (37 CFR 1.16(i))	*	Minus	**	=
Independent (37 CFR 1.16(h))	*	Minus	***	=	
Application Size Fee (37 CFR 1.16(s))					
FIRST PRESENTATION OF MULTIPLE DEPENDENT CLAIM (37 CFR 1.16(j))					

**SMALL ENTITY**

RATE(\$)	ADDITIONAL FEE(\$)
x =	
x =	
TOTAL ADD'L FEE	

**OR OTHER THAN SMALL ENTITY**

RATE(\$)	ADDITIONAL FEE(\$)
x =	
x =	
TOTAL ADD'L FEE	

(Column 1) (Column 2) (Column 3)

AMENDMENT B		CLAIMS REMAINING AFTER AMENDMENT		HIGHEST NUMBER PREVIOUSLY PAID FOR	PRESENT EXTRA
	Total (37 CFR 1.16(i))	*	Minus	**	=
Independent (37 CFR 1.16(h))	*	Minus	***	=	
Application Size Fee (37 CFR 1.16(s))					
FIRST PRESENTATION OF MULTIPLE DEPENDENT CLAIM (37 CFR 1.16(j))					

**SMALL ENTITY**

RATE(\$)	ADDITIONAL FEE(\$)
x =	
x =	
TOTAL ADD'L FEE	

**OR OTHER THAN SMALL ENTITY**

RATE(\$)	ADDITIONAL FEE(\$)
x =	
x =	
TOTAL ADD'L FEE	

\* If the entry in column 1 is less than the entry in column 2, write "0" in column 3.

\*\* If the "Highest Number Previously Paid For" IN THIS SPACE is less than 20, enter "20".

\*\*\* If the "Highest Number Previously Paid For" IN THIS SPACE is less than 3, enter "3".

The "Highest Number Previously Paid For" (Total or Independent) is the highest found in the appropriate box in column 1.



UNITED STATES PATENT AND TRADEMARK OFFICE

UNITED STATES DEPARTMENT OF COMMERCE
United States Patent and Trademark Office
Address: COMMISSIONER FOR PATENTS
P.O. Box 1450
Alexandria, Virginia 22313-1450
www.uspto.gov

Table with 7 columns: APPLICATION NUMBER, FILING or 371(c) DATE, GRP ART UNIT, FIL FEE REC'D, ATTY. DOCKET NO, TOT CLAIMS, IND CLAIMS. Row 1: 13/536,700, 06/28/2012, 2447, 1250, 237494-000061, 20, 2

CONFIRMATION NO. 4371

FILING RECEIPT



84310
Troutman Sanders LLP
The Chrysler Building
405 Lexington Avenue
New York, NY 10174

Date Mailed: 07/19/2012

Receipt is acknowledged of this non-provisional patent application. The application will be taken up for examination in due course. Applicant will be notified as to the results of the examination. Any correspondence concerning the application must include the following identification information: the U.S. APPLICATION NUMBER, FILING DATE, NAME OF APPLICANT, and TITLE OF INVENTION. Fees transmitted by check or draft are subject to collection. Please verify the accuracy of the data presented on this receipt. If an error is noted on this Filing Receipt, please submit a written request for a Filing Receipt Correction. Please provide a copy of this Filing Receipt with the changes noted thereon. If you received a "Notice to File Missing Parts" for this application, please submit any corrections to this Filing Receipt with your reply to the Notice. When the USPTO processes the reply to the Notice, the USPTO will generate another Filing Receipt incorporating the requested corrections

Applicant(s)

Robin Lopulalan, Residence Not Provided;

Power of Attorney: None

Domestic Priority data as claimed by applicant

Foreign Applications (You may be eligible to benefit from the Patent Prosecution Highway program at the USPTO. Please see http://www.uspto.gov for more information.)

If Required, Foreign Filing License Granted: 07/16/2012

The country code and number of your priority application, to be used for filing abroad under the Paris Convention, is US 13/536,700

Projected Publication Date: To Be Determined - pending completion of Missing Parts

Non-Publication Request: No

Early Publication Request: No

**Title**

Online Peer Review System and Method

**Preliminary Class**

709

**PROTECTING YOUR INVENTION OUTSIDE THE UNITED STATES**

Since the rights granted by a U.S. patent extend only throughout the territory of the United States and have no effect in a foreign country, an inventor who wishes patent protection in another country must apply for a patent in a specific country or in regional patent offices. Applicants may wish to consider the filing of an international application under the Patent Cooperation Treaty (PCT). An international (PCT) application generally has the same effect as a regular national patent application in each PCT-member country. The PCT process **simplifies** the filing of patent applications on the same invention in member countries, but **does not result** in a grant of "an international patent" and does not eliminate the need of applicants to file additional documents and fees in countries where patent protection is desired.

Almost every country has its own patent law, and a person desiring a patent in a particular country must make an application for patent in that country in accordance with its particular laws. Since the laws of many countries differ in various respects from the patent law of the United States, applicants are advised to seek guidance from specific foreign countries to ensure that patent rights are not lost prematurely.

Applicants also are advised that in the case of inventions made in the United States, the Director of the USPTO must issue a license before applicants can apply for a patent in a foreign country. The filing of a U.S. patent application serves as a request for a foreign filing license. The application's filing receipt contains further information and guidance as to the status of applicant's license for foreign filing.

Applicants may wish to consult the USPTO booklet, "General Information Concerning Patents" (specifically, the section entitled "Treaties and Foreign Patents") for more information on timeframes and deadlines for filing foreign patent applications. The guide is available either by contacting the USPTO Contact Center at 800-786-9199, or it can be viewed on the USPTO website at <http://www.uspto.gov/web/offices/pac/doc/general/index.html>.

For information on preventing theft of your intellectual property (patents, trademarks and copyrights), you may wish to consult the U.S. Government website, <http://www.stopfakes.gov>. Part of a Department of Commerce initiative, this website includes self-help "toolkits" giving innovators guidance on how to protect intellectual property in specific countries such as China, Korea and Mexico. For questions regarding patent enforcement issues, applicants may call the U.S. Government hotline at 1-866-999-HALT (1-866-999-4158).

**LICENSE FOR FOREIGN FILING UNDER****Title 35, United States Code, Section 184****Title 37, Code of Federal Regulations, 5.11 & 5.15****GRANTED**

The applicant has been granted a license under 35 U.S.C. 184, if the phrase "IF REQUIRED, FOREIGN FILING LICENSE GRANTED" followed by a date appears on this form. Such licenses are issued in all applications where the conditions for issuance of a license have been met, regardless of whether or not a license may be required as

set forth in 37 CFR 5.15. The scope and limitations of this license are set forth in 37 CFR 5.15(a) unless an earlier license has been issued under 37 CFR 5.15(b). The license is subject to revocation upon written notification. The date indicated is the effective date of the license, unless an earlier license of similar scope has been granted under 37 CFR 5.13 or 5.14.

This license is to be retained by the licensee and may be used at any time on or after the effective date thereof unless it is revoked. This license is automatically transferred to any related applications(s) filed under 37 CFR 1.53(d). This license is not retroactive.

The grant of a license does not in any way lessen the responsibility of a licensee for the security of the subject matter as imposed by any Government contract or the provisions of existing laws relating to espionage and the national security or the export of technical data. Licensees should apprise themselves of current regulations especially with respect to certain countries, of other agencies, particularly the Office of Defense Trade Controls, Department of State (with respect to Arms, Munitions and Implements of War (22 CFR 121-128)); the Bureau of Industry and Security, Department of Commerce (15 CFR parts 730-774); the Office of Foreign Assets Control, Department of Treasury (31 CFR Parts 500+) and the Department of Energy.

#### **NOT GRANTED**

No license under 35 U.S.C. 184 has been granted at this time, if the phrase "IF REQUIRED, FOREIGN FILING LICENSE GRANTED" DOES NOT appear on this form. Applicant may still petition for a license under 37 CFR 5.12, if a license is desired before the expiration of 6 months from the filing date of the application. If 6 months has lapsed from the filing date of this application and the licensee has not received any indication of a secrecy order under 35 U.S.C. 181, the licensee may foreign file the application pursuant to 37 CFR 5.15(b).

---

### ***SelectUSA***

The United States represents the largest, most dynamic marketplace in the world and is an unparalleled location for business investment, innovation and commercialization of new technologies. The USA offers tremendous resources and advantages for those who invest and manufacture goods here. Through SelectUSA, our nation works to encourage, facilitate, and accelerate business investment. To learn more about why the USA is the best country in the world to develop technology, manufacture products, and grow your business, visit [SelectUSA.gov](http://SelectUSA.gov).

Under the Paperwork Reduction Act of 1995, no persons are required to respond to a collection of information unless it displays a valid OMB control number.

# UTILITY PATENT APPLICATION TRANSMITTAL

(Only for new nonprovisional applications under 37 CFR 1.53(b))

Attorney Docket No.	237494-000061
First Inventor	Robin Lopulalan
Title	Online Peer Review System and ...
Express Mail Label No.	

## APPLICATION ELEMENTS

See MPEP chapter 600 concerning utility patent application contents.

1.  **Fee Transmittal Form** (e.g., PTO/SB/17)
2.  **Applicant claims small entity status.**  
See 37 CFR 1.27.
3.  **Specification** [Total Pages 24 ]  
Both the claims and abstract must start on a new page  
(For information on the preferred arrangement, see MPEP 608.01(a))
4.  **Drawing(s)** (35 U.S.C. 113) [Total Sheets 11 ]
5. **Oath or Declaration** [Total Sheets          ]
  - a.  Newly executed (original or copy)
  - b.  A copy from a prior application (37 CFR 1.63(d))  
(for continuation/divisional with Box 18 completed)
    - i.  **DELETION OF INVENTOR(S)**  
Signed statement attached deleting inventor(s)  
name in the prior application, see 37 CFR  
1.63(d)(2) and 1.33(b).
6.  **Application Data Sheet.** See 37 CFR 1.76
7.  **CD-ROM or CD-R** in duplicate, large table or  
Computer Program (Appendix)  
 Landscape Table on CD
8. **Nucleotide and/or Amino Acid Sequence Submission**  
(if applicable, items a. – c. are required)
  - a.  Computer Readable Form (CRF)
  - b.  Specification Sequence Listing on:
    - i.  CD-ROM or CD-R (2 copies); or
    - ii.  Paper
  - c.  Statements verifying identity of above copies

## ADDRESS TO:

**Commissioner for Patents**  
**P.O. Box 1450**  
**Alexandria VA 22313-1450**

## ACCOMPANYING APPLICATION PARTS

9.  **Assignment Papers** (cover sheet & document(s))  
Name of Assignee \_\_\_\_\_
10.  **37 CFR 3.73(b) Statement**  **Power of Attorney**  
(when there is an assignee)
11.  **English Translation Document** (if applicable)
12.  **Information Disclosure Statement** (PTO/SB/08 or PTO-1449)  
 Copies of citations attached
13.  **Preliminary Amendment**
14.  **Return Receipt Postcard** (MPEP 503)  
(Should be specifically itemized)
15.  **Certified Copy of Priority Document(s)**  
(if foreign priority is claimed)
16.  **Nonpublication Request** under 35 U.S.C. 122(b)(2)(B)(i).  
Applicant must attach form PTO/SB/35 or equivalent.
17.  Other: \_\_\_\_\_

18. If a CONTINUING APPLICATION, check appropriate box, and supply the requisite information below and in the first sentence of the specification following the title, or in an Application Data Sheet under 37 CFR 1.76:

Continuation       Divisional       Continuation-in-part (CIP)      of prior application No.: .....

Prior application information:      Examiner \_\_\_\_\_      Art Unit: \_\_\_\_\_

## 19. CORRESPONDENCE ADDRESS

The address associated with Customer Number: 84310      OR       Correspondence address below

Name

Address

City

State

Zip Code

Country

Telephone

Email

Signature

/Suraj K. Balusu 65,519/

Date

June 28, 2012

Name  
(Print/Type)

Suraj Balusu

Registration No.  
(Attorney/Agent)

65519

This collection of information is required by 37 CFR 1.53(b). The information is required to obtain or retain a benefit by the public which is to file (and by the USPTO to process) an application. Confidentiality is governed by 35 U.S.C. 122 and 37 CFR 1.11 and 1.14. This collection is estimated to take 12 minutes to complete, including gathering, preparing, and submitting the completed application form to the USPTO. Time will vary depending upon the individual case. Any comments on the amount of time you require to complete this form and/or suggestions for reducing this burden, should be sent to the Chief Information Officer, U.S. Patent and Trademark Office, U.S. Department of Commerce, P.O. Box 1450, Alexandria, VA 22313-1450. DO NOT SEND FEES OR COMPLETED FORMS TO THIS ADDRESS. **SEND TO: Commissioner for Patents, P.O. Box 1450, Alexandria, VA 22313-1450.**

If you need assistance in completing the form, call 1-800-PTO-9199 and select option 2.

## Privacy Act Statement

The **Privacy Act of 1974 (P.L. 93-579)** requires that you be given certain information in connection with your submission of the attached form related to a patent application or patent. Accordingly, pursuant to the requirements of the Act, please be advised that: (1) the general authority for the collection of this information is 35 U.S.C. 2(b)(2); (2) furnishing of the information solicited is voluntary; and (3) the principal purpose for which the information is used by the U.S. Patent and Trademark Office is to process and/or examine your submission related to a patent application or patent. If you do not furnish the requested information, the U.S. Patent and Trademark Office may not be able to process and/or examine your submission, which may result in termination of proceedings or abandonment of the application or expiration of the patent.

The information provided by you in this form will be subject to the following routine uses:

1. The information on this form will be treated confidentially to the extent allowed under the Freedom of Information Act (5 U.S.C. 552) and the Privacy Act (5 U.S.C. 552a). Records from this system of records may be disclosed to the Department of Justice to determine whether disclosure of these records is required by the Freedom of Information Act.
2. A record from this system of records may be disclosed, as a routine use, in the course of presenting evidence to a court, magistrate, or administrative tribunal, including disclosures to opposing counsel in the course of settlement negotiations.
3. A record in this system of records may be disclosed, as a routine use, to a Member of Congress submitting a request involving an individual, to whom the record pertains, when the individual has requested assistance from the Member with respect to the subject matter of the record.
4. A record in this system of records may be disclosed, as a routine use, to a contractor of the Agency having need for the information in order to perform a contract. Recipients of information shall be required to comply with the requirements of the Privacy Act of 1974, as amended, pursuant to 5 U.S.C. 552a(m).
5. A record related to an International Application filed under the Patent Cooperation Treaty in this system of records may be disclosed, as a routine use, to the International Bureau of the World Intellectual Property Organization, pursuant to the Patent Cooperation Treaty.
6. A record in this system of records may be disclosed, as a routine use, to another federal agency for purposes of National Security review (35 U.S.C. 181) and for review pursuant to the Atomic Energy Act (42 U.S.C. 218(c)).
7. A record from this system of records may be disclosed, as a routine use, to the Administrator, General Services, or his/her designee, during an inspection of records conducted by GSA as part of that agency's responsibility to recommend improvements in records management practices and programs, under authority of 44 U.S.C. 2904 and 2906. Such disclosure shall be made in accordance with the GSA regulations governing inspection of records for this purpose, and any other relevant (*i.e.*, GSA or Commerce) directive. Such disclosure shall not be used to make determinations about individuals.
8. A record from this system of records may be disclosed, as a routine use, to the public after either publication of the application pursuant to 35 U.S.C. 122(b) or issuance of a patent pursuant to 35 U.S.C. 151. Further, a record may be disclosed, subject to the limitations of 37 CFR 1.14, as a routine use, to the public if the record was filed in an application which became abandoned or in which the proceedings were terminated and which application is referenced by either a published application, an application open to public inspection or an issued patent.
9. A record from this system of records may be disclosed, as a routine use, to a Federal, State, or local law enforcement agency, if the USPTO becomes aware of a violation or potential violation of law or regulation.

## Electronic Patent Application Fee Transmittal

<b>Application Number:</b>				
<b>Filing Date:</b>				
<b>Title of Invention:</b>	Online Peer Review System and Method			
<b>First Named Inventor/Applicant Name:</b>	Robin Lopulalan			
<b>Filer:</b>	Suraj Balusu/Gail Chamberlain			
<b>Attorney Docket Number:</b>	237494-000061			
Filed as Large Entity				
<b>Utility under 35 USC 111(a) Filing Fees</b>				
<b>Description</b>	<b>Fee Code</b>	<b>Quantity</b>	<b>Amount</b>	<b>Sub-Total in USD(\$)</b>
<b>Basic Filing:</b>				
Utility application filing	1011	1	380	380
Utility Search Fee	1111	1	620	620
Utility Examination Fee	1311	1	250	250
<b>Pages:</b>				
<b>Claims:</b>				
<b>Miscellaneous-Filing:</b>				
<b>Petition:</b>				
<b>Patent-Appeals-and-Interference:</b>				

Description	Fee Code	Quantity	Amount	Sub-Total in USD(\$)
<b>Post-Allowance-and-Post-Issuance:</b>				
<b>Extension-of-Time:</b>				
<b>Miscellaneous:</b>				
<b>Total in USD (\$)</b>				<b>1250</b>



## Electronic Acknowledgement Receipt

<b>EFS ID:</b>	13136564
<b>Application Number:</b>	13536700
<b>International Application Number:</b>	
<b>Confirmation Number:</b>	4371
<b>Title of Invention:</b>	Online Peer Review System and Method
<b>First Named Inventor/Applicant Name:</b>	Robin Lopulalan
<b>Customer Number:</b>	84310
<b>Filer:</b>	Suraj Balusu/Gail Chamberlain
<b>Filer Authorized By:</b>	Suraj Balusu
<b>Attorney Docket Number:</b>	237494-000061
<b>Receipt Date:</b>	28-JUN-2012
<b>Filing Date:</b>	
<b>Time Stamp:</b>	18:20:50
<b>Application Type:</b>	Utility under 35 USC 111(a)

### Payment information:

Submitted with Payment	yes
Payment Type	Deposit Account
Payment was successfully received in RAM	\$1250
RAM confirmation Number	6409
Deposit Account	201507
Authorized User	

The Director of the USPTO is hereby authorized to charge indicated fees and credit any overpayment as follows:

Charge any Additional Fees required under 37 C.F.R. Section 1.16 (National application filing, search, and examination fees)

Charge any Additional Fees required under 37 C.F.R. Section 1.17 (Patent application and reexamination processing fees)

Charge any Additional Fees required under 37 C.F.R. Section 1.19 (Document supply fees)

Charge any Additional Fees required under 37 C.F.R. Section 1.20 (Post Issuance fees)

Charge any Additional Fees required under 37 C.F.R. Section 1.21 (Miscellaneous fees and charges)

**File Listing:**

Document Number	Document Description	File Name	File Size(Bytes)/ Message Digest	Multi Part /.zip	Pages (if appl.)
1		SPEC61.pdf	117674 f52a6b1f0e75709d9bed623b71876c82977b2d5b	yes	24
<b>Multipart Description/PDF files in .zip description</b>					
	<b>Document Description</b>		<b>Start</b>		<b>End</b>
	Specification		1		20
	Claims		21		23
	Abstract		24		24
<b>Warnings:</b>					
<b>Information:</b>					
2	Drawings-only black and white line drawings	DRAWINGS61.pdf	5465119 d632afb60eb1015519cb1f1c3ffca3aed0f99cd	no	11
<b>Warnings:</b>					
<b>Information:</b>					
3	Application Data Sheet	APPLICATIONDATASHEET61.pdf	48034 81e038992ac544d95d12672a27dc90e13cb8f429	no	4
<b>Warnings:</b>					
<b>Information:</b>					
This is not an USPTO supplied ADS fillable form					
4	Transmittal of New Application	TRANSMITTAL61.pdf	77997 a49c958b4f35c9cf2b97dce0939ec675f933e42c	no	2
<b>Warnings:</b>					
<b>Information:</b>					
5	Fee Worksheet (SB06)	fee-info.pdf	33054 562849075609d6fc341738d90b57609d21fcec1c	no	2
<b>Warnings:</b>					
<b>Information:</b>					
<b>Total Files Size (in bytes):</b>			5741878		

**This Acknowledgement Receipt evidences receipt on the noted date by the USPTO of the indicated documents, characterized by the applicant, and including page counts, where applicable. It serves as evidence of receipt similar to a Post Card, as described in MPEP 503.**

**New Applications Under 35 U.S.C. 111**

**If a new application is being filed and the application includes the necessary components for a filing date (see 37 CFR 1.53(b)-(d) and MPEP 506), a Filing Receipt (37 CFR 1.54) will be issued in due course and the date shown on this Acknowledgement Receipt will establish the filing date of the application.**

**National Stage of an International Application under 35 U.S.C. 371**

**If a timely submission to enter the national stage of an international application is compliant with the conditions of 35 U.S.C. 371 and other applicable requirements a Form PCT/DO/EO/903 indicating acceptance of the application as a national stage submission under 35 U.S.C. 371 will be issued in addition to the Filing Receipt, in due course.**

**New International Application Filed with the USPTO as a Receiving Office**

**If a new international application is being filed and the international application includes the necessary components for an international filing date (see PCT Article 11 and MPEP 1810), a Notification of the International Application Number and of the International Filing Date (Form PCT/RO/105) will be issued in due course, subject to prescriptions concerning national security, and the date shown on this Acknowledgement Receipt will establish the international filing date of the application.**

## **Online Peer Review System and Method**

### **Field of Invention**

The present invention relates in general to online scientific peer review systems, and in particular to a novel online journal management and publishing solution which is designed to create a flexible, intuitive, intelligent and enterprise scale user-centered solution which is designed in a modular fashion to easily and quickly add new features and offer integration points.

### **Brief Description of Prior Art**

There exist a number of online scientific peer review systems. All of these systems offer the same basic functions such as interfaces for authors to submit, upload or download articles related to a journal, as well as interfaces for reviewers to review the articles, and for editors to accept or reject articles. A summary of the major existing online scientific peer review systems is provided below.

The first system is an open source online journal publishing system called the “Open Journal System”. It is sponsored by the Simon Fraser University. An online user’s guide is available at: <http://pkp.sfu.ca/ojs/docs/userguide/2.3.3/index.html>. The Open Journal System provides interfaces for users to upload/download submissions and it supports multiple languages. It also provides an interface for reviewers to manage the submission under review.

The second system is a commercially-available online manuscript submission and peer review software system called “Editorial Manager” from Aries Systems. An online user’s guide is available at <http://www.editorialmanager.com/homepage/home.htm>. The Editorial Manager software manages submissions, editorial functions and peer review. It uses a customized interface to transfer accepted manuscripts to publishers such as Oxford University Press, Elsevier, etc. It also tracks referee activity, and automatically emails appropriate reminders.

Aries Systems also partners with a company called “iThenticate”. iThenticate has a commercially-available software called “iThenticate Plagiarism Checker” for plagiarism detection. Because iThenticate has a partnership with Aries Systems, it apparently allows Aries’ editorial and peer review system to detect plagiarism.

The third online journal publishing system is a commercially-available peer review journal management system called “ScholarOne Manuscripts” from Thomson Reuters. The

ScholarOne Manuscripts system also uses iThenticate Plagiarism Checker for plagiarism detection. It enables users to execute task assignments, e-mail reminders, and web-based research tools automatically. It also captures data and files in multiple languages and formats and converts them into PDF or HTML documents on the fly. It also allows the user to enter customized journal article metadata.

All of these existing systems are, to some degree, not convenient to use. For example, these existing systems only offer a shared database among sister journals, whereas a shared database is not available for non-sister journals, for example, journals that are not owned by related entities. Thus, it is impossible for these existing systems to accommodate the user's request to switch from a sister journal to a non-sister journal. Moreover, none of these systems provide convenient interfaces to facilitate the communications between editors, users and reviewers. In addition, it is difficult to add new features to the current online journal publishing systems.

There is therefore a need to develop a more flexible and convenient online journal publishing system.

### **Summary of the Invention**

One aspect of the invention is directed to an online document management system. The system comprises one or more editorial computers operated by one or more administrators or editors, the editorial computers send invitations and manage review, such as peer review, of document submissions; one or more system computers, the system computers maintain journals, records of submitted documents and user profiles, and issue notifications; and one or more user computers; the user computers submit documents or revisions to the document management system. In one embodiment, the one or more of said editorial computers coordinate with one or more of the system computers to migrate one or more documents between journals maintained by the online document management system.

Another aspect of the invention is directed to a method of managing documents submitted online. The method comprises: initiating invitations from one or more editorial computers operated by one or more journal editors to one or more user computers operated by one or more users on one or more journals; submitting documents from one or more of the user computers to one or more system computers; the system computers maintaining journals, records

of submitted documents and user profiles; providing comments on the submitted documents from one or more computers operated by one or more reviewers; and migrating one or more submitted documents between journals maintained by one or more of the system computers.

### **Brief Description of the Drawings**

FIG. 1 schematically depicts a user registration/deactivation process that is implemented on one or more computers in one or more networks according to one embodiment of the invention.

FIG. 2 schematically depicts a user login process that is implemented on one or more computers in one or more networks according to one embodiment of the invention.

FIG. 3 schematically depicts a submission process that is implemented on one or more computers in one or more networks according to one embodiment of the invention.

FIG. 4 schematically depicts an editorial preparation process that is implemented on one or more computers in one or more networks according to one embodiment of the invention.

FIG. 5 schematically depicts a peer review process that is implemented on one or more computers in one or more networks according to one embodiment of the invention.

FIG. 6 schematically depicts a decision preparation process that is implemented on one or more computers in one or more networks according to one embodiment of the invention.

FIG. 7 schematically depicts a revision process that is implemented on one or more computers in one or more networks according to one embodiment of the invention.

FIG. 8 schematically depicts a waterfall process that is implemented on one or more computers in one or more networks according to one embodiment of the invention.

FIG. 9 schematically depicts a group submissions process that is implemented on one or more computers in one or more networks according to one embodiment of the invention.

FIG. 10 schematically depicts a training/journal administration process that is implemented on one or more computers in one or more networks according to one embodiment of the invention.

FIG. 11 schematically depicts a journals leaving process that is implemented on one or more computers in one or more networks according to one embodiment of the invention. The journals leaving process may be triggered when a journal leaves the publishing system.

## Detailed Description of Preferred Embodiments

FIG. 1 schematically depicts a user registration/deactivation process that is implemented on one or more computers in one or more networks according to one embodiment of the invention. The user registration/deactivation process enables a user to register or deactivate with the journal publishing system. Once the process starts at step 1110, it may encounter one or more of the following four situations:

- 1) an Editor sends an invitation to a user or a Reviewer;
- 2) an invited (or unsolicited) user initiates the process to register with the system
- 3) an invited (or unsolicited) user signs-in to deactivate
- 4) a system administrator or an Editor decides to deactivate a user

The process steps that are involved in the 4 situations above are explained below.

First, if, in step 1130, an Editor sends an invitation to a user or Reviewer, the process moves to step 1140 to check the status of the invitation. If the invitation is rejected, then the process moves to step 1190, where a notification is sent to the system administrator or the Editor, and the process will stop its execution. If the invitation is accepted by a user/Reviewer, then the process moves to step 1170 to wait for a user action. If the user/Reviewer decides to register with the journal publishing system of the invention, then the process goes to step 1180 to prompt the user/Reviewer to enter his/her Email Id (such as an email address). In step 1200, the process verifies whether the Email Id already exists in the system's record. If so, a notification is sent in step 1210 to the user/Reviewer and the process loops back to step 1180. Here, the user/Reviewer may choose to re-register using a different Email Id, or user the existing Email Id to sign-in. If the user/Review chose to sign-in, then in step 1280 a web-page is displayed to the user/Reviewer to provide an interface for the user/Review to perform other actions. In one embodiment, the web-page is the default journal homepage. The web-page may also be a user-specific homepage showing user-preferred information, such as information regarding user-preferred journals in the system. In another embodiment, the web-page may be a page indicated in the invitation or a user-preferred website.

If, in step 1200, the process determines the Email Id does not exist in the system's record, then in step 1290 the user/Reviewer is prompted to enter a password. A CAPTCHA test is then generated by the system in step 1300 and the user/Review is prompted to enter the necessary information required by the CAPTCHA KEY. In step 1310, the process enters or updates the

system record for this newly entered user data. In step 1320, the process enters or updates data for specific journals in connection with the new record. Then, in step 1330, the user/Reviewer is prompted to enter his/her preferences. For example, the preferred language, the preferred way of communication (e.g. emails, phone call, etc.), preferred reviewers, preferred webpage (landing page) after signing-in, etc. Next, in step 1340, the user/Reviewer is prompted to review and confirm that he/she will comply with a set of Regulations. In one embodiment, the Regulations include the Statement on Ethics in Publishing. Then, step 1350 checks if the registration is complete. If so, the process moves to step 1370 to issue a successful registration notification that will be displayed on the user's sign-in page in step 1380. If not, the user/Reviewer will be notified that the registration is incomplete in step 1360.

If, in step 1160, an uninvited user initiates the process, then the process moves to step 1170 to determine the user action and then moves to step 1180 or 1280 depending on whether the user action is registration or sign-in.

If, in step 1150, a user signs in to deactivate from the system, the process then executes a deactivate procedure in step 1220. Then in step 1230, it prompts the user to confirm deactivation. A CAPTCHA key is generated by the process in step 1240 and the user is prompted to enter it. Then, in step 1250, the current user status is captured by the process and the system administrator is notified in step 1260 that the user should be marked inactive. In one embodiment, the user is prompted to enter the reason for deactivation in step 1270, and the results of steps 1260 and 1270 are used in step 1370 for the process to issue a deactivation notification that will be displayed on the user's sign-in page in step 1380.

If, in step 1120, a system administrator or an Editor decides to deactivate a user, the process will directly move to step 1230, which prompts the system administrator or Editor for confirmation. A CAPTCHA key is generated by the process in step 1240 and the system administrator or Editor is prompted to enter it. The process then goes to steps 1260, 1270, 1370, 1380 as described above.

FIG. 2 schematically depicts a user login process that is implemented on one or more computers in one or more networks according to one embodiment of the invention. The user login process enables a user to gain access to the journal publishing system.

According to FIG. 2, in step 1510, a user initiates the login process by entering the URL of the online journal publishing system, or by clicking on a link in an email that is directing the



login webpage, or by other ways enabled by the journal publishing system. Then, in step 1520, the journal publishing system determines if the user has already signed-in. If so, the process moves to step 1700 where a corresponding web page is displayed to the user. The web page may be a user preferred web page defined by the user, or a default journal web page set by the journal administrator, or a “task based” web page whose content depends on the tasks the user intends to work on, or a “general task page” showing a list of tasks for the system administrator or service manager to work on, or a journal home page with links to journal recommended tools. Next, in step 1710, the user can navigate to any other web page within the journal based on the user permission set by the system administrator.

If step 1530 determines that the user has not signed-in, then in step 1530 the process check if the user has been identified. If so, the process in step 1540 displays a sign-in page showing the user ID and a blank password field. If not, the process in step 1550 displays a sign-in page with blank user ID and password fields. The user can then sign in by entering the user ID and password in step 1650. After receiving the user ID and password, the process in step 1690 verifies if the information entered is correct. If yes, then the process moves to step 1700. If the verification fails, the process moves to step 1660, where a “sign-in failed” message is displayed and the user is directed to step 1650 and is prompted to retry the user ID and password. If the verification step 1690 finds that the password has expired, the user is then notified in step 1670 to reset the password. After the user resets the password, the user is directed to the login page of step 1650 to re-enter the user ID and password. If the verification step 1690 finds that the user has not been registered, the user is then directed to step 1680 to register.

In one embodiment, the sign-in page has a “forgot user ID/password” link, and step 1560 is invoked to see if the user clicks on such a link. If the user forgets his/her user ID/password, then the process moves to a sub-process to retrieve/reset user ID and password. If the user ID is forgotten (step 1570), then the process moves to step 1590 to prompt the user to contact customer support and a customer support procedure 1600 may be developed to resolve the issue. For example, customer support will retrieve the user ID if the user provides other information (such as social security number, etc) that verifies his/her identity. If the user forgot his/her password, the user may also be directed to customer support in step 1590 and then uses the customer support procedure to reset or retrieve the password. Alternatively, the user could be prompted to answer certain pre-set password question(s) in step 1610. Then step 1630

determines if the user's answer(s) are correct. If so, the processor moves to step 1640, where a password reset link is sent to the user's email ID that is provided at registration. After resetting the password, the user is directed to the login page of step 1650. If the user's answer(s) are not correct, then in step 1620 a "password retrieval failed" message will be displayed and the user is directed to step 1590 to contact customer support.

FIG. 3 schematically depicts a submission process that is implemented on one or more computers in one or more networks according to one embodiment of the invention. The process starts in step 2100. In one embodiment, the submission process may be initiated by an author receiving an invitation from an Editor 2110, an author navigates to a journal home page 2120, or an author finds the journal home page from the journal publishing system's home page 2130. In one embodiment, the steps 2110-2130 may be executed in parallel. After the author finds the journal's homepage, the process in step 2140 checks if the author is registered. If yes, the author is prompted to login in step 2160. If no, then the author is prompted to register first in step 2150, and then is directed to the login page in step 2160. After login, the author is prompted to enter invitation information in step 2170, and then to select article type in step 2180. Based on the type selected, the author can view and use certain templates to format his/her article before submission in step 2190. If an author uses certain templates, certain metadata can be extracted before the author manually enters the data. Then, in steps 2200 and 2210, the user uploads the mandatory and supplemental files of the article to the journal publishing system.

After uploading the article, the author may be prompted to enter classification and key word information of the submitted article in step 2220. Then, in step 2230, the author is prompted to fill in a submission form. In step 2240, the author is prompted to fill in a non-submission form. In one embodiment, the non-submission form requests additional information not directly related to the content of the submitted article, e.g. the name of the entity that provides funding to the research that has resulted in the article. In step 2250, the author then enters funding body identification information. Then in step 2260, the author is prompted to specify co-authors, if any. In step 2270, the author may suggest or oppose reviewers, and in step 2280, the author may make suggestions of choice of Editors. The process then moves to step 2290 where the author may be asked to agree to a "Water Fall Agreement" which governs copyright issues, and potential submission to other journals. Then, in step 2300, a Common Readable Format file (CRF) of the article is created for review. In one embodiment, the CRF is

HTML format. Rendering the article in HTML format makes the online journal publishing system faster and lighter, and more compatible with mobile applications.

The journal publishing system assigns a system Id 2310 and File Type 2320 to the article submitted in steps 2200 and 2210. The system also performs a series of checks in step 2330. In one embodiment, these checks include a plagiarism check (the result of plagiarism check may not be displayed only to the editor), a completeness check, an artwork quality check, a reference linking check, a duplication submission check, and a metadata errors check. These checks may also include a LaTeX errors check, if the article is written in LaTeX language. There may also be a CRF conversion error check to make sure the CRF conversion of the article is done properly.

After these checks, the author in step 2340 reviews the results of the checks, and reviews the CRF as converted in step 2350. The process then asks the author if he/she wishes to modify the article. If no, then the process moves to step 2440, where the author is asked to view and accept a publishing ethics document. Then, the author makes the final submission in step 2430. The publishing system will then sync the submission data with the author's user profile data in step 2400, send a submission notification to the author in step 2410, and assign a submission Id to the article being submitted in step 2420. If the author wishes to modify the article, the author will have a chance to update the article and fix errors in step 2370, manually assign files to appropriate categories in step 2380 and edit metadata of the article in step 2390.

FIG. 4 schematically depicts an editorial preparation process that is implemented on one or more computers in one or more networks according to one embodiment of the invention. The process starts in step 2510, where the online publishing system makes an initial assignment of service manager or editor according to certain rules or system settings. In step 2520, the service manager/editor performs a technical check on the submitted article. In one embodiment, the technical check may be outsourced to an external entity. In step 2530, the service manager/editor decides whether to return the article to the author for correction. If yes, the article is returned in step 2540. If no, the service manager/editor decides in step 2550 if technical screening of the article is required, and if so, technical screening is performed in step 2560. Next, the service manager/editor decides in step 2570 if language editing is required, and if so, language editing is performed in step 2580. In one embodiment, the language editing may be outsourced to an external entity. In step 2590, the service manager/editor assigns the editor(s) to handle the current submission, and a notification is sent to the publishing system in step 2600.

Next, the service manager/editor reviews the results of technical checks. In one embodiment, these checks include artwork quality check 2610, metadata check 2620, LaTeX error checks 2630 and CRF conversion checks 2640.

After reviewing these results, the service manager/editor may, in step 2700, manually assign other specialized editor(s) to the submitted article. The publishing system may also, in step 2650, automatically assign other (often specialized) editor(s) to the submitted article, based on rules. Next, the service manager/editor reviews the results of technical screening (if any). In one embodiment, these results include the results of completeness check 2660, the results of reference linking check 2670, the results of plagiarism check 2680 and the results of duplicate check 2690. After reviewing these results, the service manager/editor may, in step 2710, manually assign other specialized editor(s) to the submitted article. The publishing system may also, in step 2650, automatically assign other (often specialized) editor(s) to the submitted article

Next, in step 2720, the service manager/editor edits the classification/keywords of the submitted article. Then, in step 2730, the service manager/editor decides whether the submitted article should be peer-reviewed. If yes, the article is sent to the peer review process in step 2740. If it is decided that the article be returned to the author for correction, then the article is returned in step 2760. Or, if it is decided that the article is to be rejected, then in step 2750 the article is rejected. In step 2770, the publishing system sends notifications to the author regarding the service manager/editor's decision in steps 2740-2760.

FIG. 5 schematically depicts a peer review process that is implemented on one or more computers in one or more networks according to one embodiment of the invention. The process involves the editor, the publishing system and the reviewer. The process starts when the editor invites the reviewer to review a submitted article. In step 3010, the editor may instruct the publishing system to send ad hoc invitation emails to many potential reviewers. The editor may also in step 3020, first search for reviewers by taking into account the author's preferred reviewers. The publishing system then displays the search results based on the editor's search criteria in step 3040. Then, the editor in step 3050 chooses the reviewer to invite based on the displayed search results. The publishing system, in step 3030, sends an invitation email to the reviewers selected by the editor. In one embodiment, the search for reviewers is carried out using the People Finder technology described in Netherlands patent no. 20001015151, titled "Apparatus, Method and Software for generating a Knowledge Profile and the Search for

Corresponding Knowledge Profiles”. The content of this patent is incorporated in its entirety herein. After receiving an invitation email, a reviewer may decide to accept or reject the invitation (as shown in steps 3200-3220 for multiple reviewers). If the reviewer accepts the invitation, then in step 3230 the publishing system determines if the reviewer is registered. If yes, the reviewer may proceed to login in step 3240. If no, the reviewer is directed to a registration process, such as the registration process shown in FIG. 1. After login, the reviewer may have the following options as shown in step 3260. For example, the reviewer may be given access to the submitted article. The reviewer may also be able to communicate with other reviewers or editors or invite other co-reviewers. The reviewer may also be given access to certain scientific journals, including through services such as Scopus and ScienceDirect. Then, in step 3270, the reviewer reviews and annotates the submitted article. In a preferred embodiment, the system allows for annotation of the online version of the article. The reviewer may also have the option to recommend language editing. If review is completed, the reviewer in step 3310 submits or uploads the review comments to the publishing system. The reviewer may also terminate the review voluntarily.

If a reviewer decides to reject an invitation, then the system in step 3060 notifies the editor about the rejection. The system in step 3080 checks if the editor has selected alternative reviewer(s). If yes, then in step 3070 the system sends an invitation email to the alternative reviewer. If no, the process will wait for the editor to send an ad hoc invitation or to search for reviewer(s).

After receiving the review comments, the publishing system in step 3090 sends a notification email to the editor, collates review comments in step 3100 if the comments are done in CRF, and sends the comments to the editor. After receiving the comments, the editor in step 3110 manages/validates the review comments, and in step 3120 rates the reviewers based on the comments submitted. Then, in step 3130, the editor decides if changes need to be made in the submitted article. If no, the article is passed to a decision process in step 3140. If yes, the editor in step 3150 requests the publishing system to notify the author that changes are requested. Then, the publishing system in step 3160 sends a notification email to the author and the article is passed to a revision process in step 3170.

FIG. 6 schematically depicts a decision preparation process that is implemented on one or more computers in one or more networks according to one embodiment of the invention. The

decision process may be initiated by the following situations: 1) an author submits an article (step 3510); 2) peer review of an article is completed (step 3520); 3) reassessment of a prior decision (step 3530) and 4) an author submits a revised article (step 3540). If the editor receives a submission from an author, then in step 3550 the editor decides if the article should be rejected without review. If no, the editor in step 3560 decides if peer review is required, and if so the process moves to the peer review process in step 3580, and then returns to step 3520. If the article should be rejected without review, then in step 3690 the publishing system sends a notification email to other editor(s), the author and reviewers regarding the rejection. Next, in step 3700 the system determines if the editor and author have initiated a “waterfall” process to transfer the article to another journal. If yes, then the waterfall process will process in step 3710. If no, the article is marked for deletion in step 3720, and then in step 3730 the system determines if the author has requested reassessment. If the author has requested reassessment, the process moves to step 3530. If the author has not requested reassessment, the article is deleted in step 3740 based on journal settings and retention policy.

If the decision process is triggered by situations 2-4 above, then the process moves to step 3560, where the editor decides if peer review is required. If review is triggered, then the process moves to the peer review process in step 3580. If review is not triggered, in step 3570 the editor decides if he/she will view the review comments (annotations) online or offline. If offline, then in step 3660 the publishing system’s download utility is triggered and in step 3670 the editor downloads comments and submitted articles either in native format or in PDF. If online, the editor will view the article with comment annotations in CRF in step 3590.

After reviewing the comments, the editor in step 3600 decides if changes are required. If changes are required, the editor in step 3650 makes a decision to request revision and sends the decision to the publishing system. The publishing system in step 3680 sends a notification email to the author for revision. The author, then, in step 3750 decides if he/she would agree or decline to revise the submission. If he/she agrees to revise, then the process moves to a revision process in step 3760, and then returns to step 3540. If the author declines to revise, then the process moves to a withdraw process in step 3770.

If the editor decides that no change is required in step 3600, then in step 3610, the editor decides whether to accept or reject the article based on the comments. If the editor decides to reject, then in step 3690, the publishing system sends a notification email to other editor(s), the

author and reviewers regarding the rejection, and the process moves to step 3700 as described above. If the editor decides to accept, then in step 3620, the files related to the article are marked for publication. Next, in step 3630 comments are updated to production and in step 3640, the output is marked to be split. The publishing system then, in step 3780, sends a notification email to other editor(s), the author and reviewers.

FIG. 7 schematically depicts a revision process that is implemented on one or more computers in one or more networks according to one embodiment of the invention. The process starts from step 4010, where the publishing system sends an email notification to the author regarding the editor's request for revision. The author then proceeds to login in step 4050, and navigates to his/her submission in step 4040. The author then views the review comments, either offline or online, in step 4060 and decides in step 4070 if he/she will submit revision. If no, then the publishing system in step 4030 sends a notification to the editor and the process moves to a decision process in step 4020. If yes, then the author in step 4100 accepts or clarifies comments on CRF and creates a revised version in step 4110. Then, in step 4120 the files associated with the submitted article are marked for copying from the previous version, and the new or updated files are uploaded to the publishing system in step 4130. The publishing system may assign file type in step 4080 and assign system ID to the submitted files in step 4190.

Optionally, the author may also upload new or updated supplemental files to the publishing system in step 4140, update classification/keywords in step 4150, update co-author in step 4160, update funding body in step 4170, perform submission form update in step 4180 and non-submission form update in step 4190, as well as suggest or oppose reviewers in step 4200. After the results of steps 4140-4200 above are uploaded to the publishing system, the system may optionally perform a number of checks on the updated submission in step 4210. These checks may include completeness check, reference linking check, metadata errors check, artwork quality check, CRF conversion errors check and LaTeX errors check.

The author may review the results of the above checks in step 4240 and review the CRF in step 4250. Next, in step 4260, the author decides if he/she wishes to modify the submission based on the results of the checks. If no, the author makes a final submission of the revision in step 4300. The publishing system then sends a notification to the editor in step 4230, and syncs the revision data with the author's user profile data in step 4220. The process then moves to the decision process in step 4020. If the author decides to modify the submission based on the

results of the checks, then the author in step 4270 updates and fixes the errors and may choose to re-check the files. Or, the author may manually group the files in step 4280 and submit for a re-check. Or, the author may edit the metadata of the files and submit for a re-check.

FIG. 8 schematically depicts a waterfall process that is implemented on one or more computers in one or more networks according to one embodiment of the invention. The waterfall process is the transfer of submitted articles from one journal to another journal. The waterfall process may be initiated by an editor of a sending journal who decides to waterfall a submission to a receiving journal, as shown in step 6030. After learning the editor's decision, the publishing system then notifies the editor(s) of the receiving journal in step 6040. The editor(s) of the receiving journal in step 6050 decides whether to accept the submission. If no, then the editor of the sending journal is notified in step 6070 and the waterfall process will end. If yes, the publishing system in step 6060 checks if the author has agreed to waterfall his/her rejected submission. If no, then the publishing system in step 6020 asks the author's permission to waterfall the submission. If the author declines to waterfall, then in step 6010 the editor is notified of the author's decision not to waterfall. If the author accepts waterfall, then the publishing system in step 6080 notifies the author that the submission will be waterfalled to a particular journal. If the publishing system in step 6060 finds the author has agreed to waterfall his/her rejected submission, then the process also moves to step 6080 above. Following step 6080, the editor of the receiving journal in step 6160 views the submission and metadata (CRF or native format). Then, in step 6170, the editor decides if he/she will require reviewer comments from the sending journal. If no, then the editor will decide on the waterfalled submission in step 6230. If the editor will require the reviewer comments, then in step 6180, the publishing system checks if the reviewer has opted to block the transfer of review comments. If yes, the system notifies the editor of the reviewer's decision to block comments in step 6220, and the editor decides in step 6210 whether to proceed without review comments. If no, the waterfall process will end. If yes, the process moves to step 6230 above. If the reviewer does not block the comments, then in step 6190, the editor reviews the editor/review comments and the process moves to step 6230 above.

After step 6230, the editor decides to reject or accept the submission for waterfall. If the submission is rejected, then in step 6100 the author is notified of the rejection, and in step 6110, the author decides whether to waterfall the submission to another journal. If no, then the



waterfall process will end. If yes, then in step 6130 the publishing system may provide journal recommendations to the author via the journal recommendation tool, and the author may select a journal to waterfall in step 6140. The publishing system then notifies the editor of the receiving journal in step 6150. The process then moves to step 6160 above.

The journal recommendation tool is operable to recommend a journal to the author if the journal has published articles which have a high similarity with the newly submitted article. In one embodiment, the system determines whether a journal's published articles have a high similarity to the newly submitted article by creating a fingerprint of all published articles of a journal, and then comparing them to the fingerprint of the submission. The similarity can be expressed as a match rate. The list of recommended journals can be initially sorted based on the match rate. Optionally, the user is able to view the following aspects of a journal: Impact factor, Speed of publication and Acceptance rate.

If the editor decides to accept a submission for waterfall in step 6230, then in step 6240, the editor decides whether to require additional information from the author. If no, then the publishing system in step 6320 assigns submission Id to the submission being waterfalled, notifies the author in step 6340, and moves the process to the editorial process in step 6330. If the system requires additional information from the author to submit to this specific journal, then in step 6250 the publishing system notifies the author for additional information. The author in step 6260 decides whether to submit requested information. If no, then the publishing system notifies the editor of the receiving journal in step 6350 and the waterfall process ends. If yes, then the author in step 6270 submits the additional information. The publishing system, then, in step 6280 performs various checks as described above, assigns system Id and file Id in step 6290 and generates a CRF in step 6300. The author in step 6310 views the CRF and submits the submission in step 6315. The process then moves to step 6320 above.

The waterfall process may also be triggered by an author when he/she withdraws a submission, as shown in step 6090. If so, the author is prompted to decide if he/she wants to waterfall the submission to another journal as shown in step 6110 above. Alternatively, when the publishing system sends an author a rejection notice (following an editor's decision based on peer review), as shown in step 6120, then the process moves to step 6100 above. FIG. 9 schematically depicts a group submissions process that is implemented on one or more computers in one or more networks according to one embodiment of the invention. As show in

FIG. 9, the editor may select one or more submissions in step 8010. Then, in step 8020, the editor decides whether to designate the selected submissions as Relationship or Group. . If the editor decides to create a relationship (not group) for the selected submissions, then the process moves to step 8190, where the editor decides whether to create a new relationship. If the editor wants to designate the submissions as a group, then the editor checks in step 8030 if the submissions already belong to a group. If yes, the editor is so informed and the process ends. If no, the editor in step 8050 decides whether to create a new group. If no, the editor in step 8130 selects the existing group. If yes, then the editor in step 8060 checks if a group template exists and in step 8070 creates a new group from the master group template. If no, then the editor in step 8150 creates a group template, inherits metadata in step 8160 and the process moves to step 8070 above. After the new group template is created, the editor in step 8080 specifies the group name, and specifies the group type in step 8090. Then in step 8100, the editor may add other submissions to the new or selected group. The publishing system then tags the submissions as a group in step 8110. Then, in step 8120, the system executes the workflow steps such as the various checks as described before.

If the editor selects an existing group, as shown in step 8130, then in step 8140 the editor chooses the actions on the selected group. If he/she chooses to add other submissions to the group, then the process moves to step 8100 above. If he/she chooses to remove certain submissions from the group, then the publishing system in step 8190 untags the submissions to be removed from the group and the group submissions process ends. If the editor chooses to view or edit group metadata, then the publishing system in step 8170 presents a view of the group and allows the editor to edit the metadata of the group. The editor can also deactivate a group from the view. Then, in step 8180 the system synchronizes system data if the group's metadata is changed and deactivates the group if the editor chooses to do so. The process then ends.

If the editor decides in step 8190 to create a new relationship for the selected submissions, then in step 8200 the editor creates the new relationship and may also add submissions to the new relationship. Next, in step 8210, the editor specifies a name for the new relationship. The publishing system then tags the submissions as a relationship as specified by the editor in step 8270. If the editor decides in step 8190 not to create a new relationship for the selected submissions, then in step 8220 the editor selects an existing relationship and in step 8230

chooses actions on the selected relationship. If the editor chooses to add submissions, then the process moves to step 8270 above. If the editor chooses to view relationship or edit relationship metadata, then the publishing system in step 8240 presents a view of the group and allows the editor to edit the metadata of the group. The editor can also deactivate a group from the view. Then, in step 8250 the system synchronizes system data if the group's metadata is changed and deactivates the group if the editor chooses to do so. The process then ends. The editor may also choose to remove certain submissions from the relationship. If that is the case, then the publishing system in step 8260 untags these submissions to be removed from the relationship, and the process ends.

FIG. 10 schematically depicts a training/journal administration process that is implemented on one or more computers in one or more networks according to one embodiment of the invention. As shown in FIG. 10, when a trainer receives a request for training in step 8510, the trainer may either create a new journal in training mode as shown in step 8520; or replicate an existing journal setting to create a new journal in training mode, as shown in step 8530. In one embodiment, the trainer may be a staff member of the company running the journal system. Training sessions may be provided in person, or through web applications such as WebEx. The trainer then in step 8535 invites journal administrator/service managers or other users for training, and then provides training to journal users in step 8540. When step 8535 is executed, the publishing system also sends a notification email to the journal administration/service manager in step 8550. Then, in step 8560, the trainer decides whether the journal configuration can be made operational. If no, then in step 8620 the trainer deletes the journal in training mode and the process ends. The publishing system also sends a notification email to users configured regarding journal deletion in step 8630, and the training journal is deleted based on configuration settings in step 8650. An authorized user can also choose to extend the date for journal deletion, in step 8640

If the trainer does not think the journal configuration can be made live, then in step 8570 the trainer decides whether to clean up the journal. If yes, the trainer performs journal clean up in step 8580 and the process moves to step 8590. If no, then the process directly moves to step 8590, where the trainer checks if the training journal is an existing journal. If yes, the trainer in step 8600 replicates the journal setting to live environment. If no, the trainer creates a new

journal in live environment in step 8610 and transfers/replicates journal settings the settings of the training journal to the new journal.

After steps 8600 or 8610, the publishing system either removes the test tag from the live environment in step 8730 and sends a notification email to configured users regarding the test journal going live in step 8750, or persists journal setting changes in step 8740 and publishes the setting changes across journal in step 8760. The process then ends.

In one embodiment, the service manager may receive requests to change journal settings to training, as shown in step 8660. Or, he/she may receive notifications from the publishing system to participate in trainings. If that happens, the service manager may in step 8670 execute the following in parallel for the training journal: workflow setup for training, setup/amend rules, set up templates, configuration, user administration and user management and access. The process then moves to step 8540 for the trainer and to step 8730 or 8740 for the system.

FIG. 11 schematically depicts a journals leaving process that is implemented on one or more computers in one or more networks according to one embodiment of the invention. The journals leaving process may be triggered when a journal leaves the publishing system. As shown in FIG. 11, the system administrator/chief editor in step 9010 selects a journal to be removed. Then, in step 9020, the journal contract is checked, and the system retention policy is checked in step 9030 for conformity. Next, the system administrator/chief editor in step 9040 notifies editorial stakeholders about the journal migration. On confirmation of all of the above, the system administrator/chief editor in step 9050 sets an end date for submission into the journal. The system in step 9060 records the end date. When a user makes a submission/or submits a revision in step 9180, the publishing system in step 9190 checks if the submission date is passed. If no, the process moves to submission/peer review in step 9200. If yes, then the user is notified of journal migration/deletion and end of submission in step 9210.

In one embodiment, the system administrator/chief editor may initiate an initial export process when the time is close to the submission end date, as shown in step 9070. If that process is initiated, the publishing system in step 9100 executes an iterative process to create an export package of journal/user specific files, journal/user specific metadata and files uploaded as part of review/decision. Then, in step 9110, the system captures journal history/status.

In another embodiment, the system administrator/chief editor may initiate a final export process on final disposition of a submission, as shown in step 9080. If that process is initiated,

the publishing system in step 9120 executes an iterative process to create export package of journal/user specific files, journal/user specific metadata and files uploaded as part of review/decision. Then, in step 9130, the system captures journal history/status, and in step 9170, only limited access is allowed to the journal based on user permissions.

In yet another embodiment, the system administrator/chief editor may initiate soft/hard delete of the journal based on journal configuration, as shown in step 9090. If that process is initiated, the publishing system in step 9140 deletes journal information and retains user profiles in step 9150. The system also maintains workflow history as per configuration in step 9160.

The invention described above is operational with general purpose or special purpose computing system environments or configurations. Examples of well known computing systems, environments, and/or configurations that may be suitable for use with the invention include, but are not limited to: personal computers, server computers, hand-held or laptop devices, smart phones such as iPhones™, tablet devices such as iPads™, multiprocessor systems, microprocessor-based systems, set top boxes, programmable consumer electronics, network PCs, minicomputers, mainframe computers, distributed computing environments that include any of the above systems or devices, and the like. It should be understood that references to a ‘computer’ in this specification—for example, an editorial computer or a system computer—include references to both physical and logical computers, where a logical computer may reside in one or more physical computers, one or more logical computers may reside in one physical computer, and logical computers may be part of a cloud computing system. It should also be understood that references to a ‘database’ in this specification—for example a journal database and a non-sister journal database—include references to databases that may be physically distinct or logically distinct (for example, virtual databases).

Components of the inventive computer system may include, but are not limited to, a processing unit, a system memory, and a system bus that couples various system components including the system memory to the processing unit.

The computer system typically includes a variety of non-transitory computer-readable media. Computer-readable media can be any available media that can be accessed by the computer and includes both volatile and nonvolatile media, and removable and non-removable media. By way of example, and not limitation, computer-readable media may comprise computer storage media and communication media. Computer storage media may store

information such as computer-readable instructions, data structures, program modules or other data. Computer storage media includes, but is not limited to, RAM, ROM, EEPROM, flash memory or other memory technology, CD-ROM, digital versatile disks (DVD) or other optical disk storage, magnetic cassettes, magnetic tape, magnetic disk storage or other magnetic storage devices, or any other medium which can be used to store the desired information and which can be accessed by the computer. Communication media typically embodies computer-readable instructions, data structures, program modules or other data in a modulated data signal such as a carrier wave or other transport mechanism and includes any information delivery media. The term "modulated data signal" means a signal that has one or more of its characteristics set or changed in such a manner as to encode information in the signal. By way of example, and not limitation, communication media includes wired media such as a wired network or direct-wired connection, and wireless media such as acoustic, RF, infrared and other wireless media. Combinations of any of the above should also be included within the scope of computer-readable media.

The computer system may operate in a networked environment using logical connections to one or more remote computers. The remote computer may be a personal computer, a server, a router, a network PC, a peer device or other common network node, and typically includes many or all of the elements described above relative to the computer. The logical connections depicted include one or more local area networks (LAN) and one or more wide area networks (WAN), but may also include other networks. Such networking environments are commonplace in offices, enterprise-wide computer networks, intranets and the Internet.

For ease of exposition, not every step or element of the present invention is described herein as part of software or computer system, but those skilled in the art will recognize that each step or element may have a corresponding computer system or software component. Such computer systems and/or software components are therefore enabled by describing their corresponding steps or elements (that is, their functionality), and are within the scope of the present invention. In addition, various steps and/or elements of the present invention may be stored in a non-transitory storage medium, and selectively executed by a processor.

The foregoing components of the present invention described as making up the various elements of the invention are intended to be illustrative and not restrictive. Many suitable components that would perform the same or similar functions as the components described are

intended to be embraced within the scope of the invention. Such other components can include, for example, components developed after the development of the present invention.

What is claimed is:

1. An online document management system, comprising:  
one or more editorial computers connected to a multi-node network, said editorial computers comprising one or more program controlled data processors configured to:  
receive document submissions via said multi-node network;  
access journal database records, wherein said database records include information associated with submitted documents and user profiles; and  
migrate one or more documents between non-sister journal databases.
2. The online document management system of claim 1, further wherein said data processors comprise programming operable to recommend a journal to an author if said journal has published articles which have a high similarity with an article submitted by said author.
3. The online document management system of claim 2, wherein said high similarity is determined by creating a fingerprint of said published articles of said journal, creating a fingerprint of said article submitted by said author, and comparing the fingerprint of said published articles of said journal to the fingerprint of said article submitted by said author.
4. The online document management system of claim 1, further comprising one or more trainer computers, wherein one or more of said trainer computers coordinate with one or more of the editorial computers to provide training to journal users.
5. The online document management system of claim 1, wherein one or more of said editorial computers select one or more submitted documents and process the selected documents as a group with shared properties.
6. The online document management system of claim 5, wherein one or more of said editorial computers create a group template for the selected documents.



7. The online document management system of claim 4, wherein one or more of said editorial computers create a new journal in training mode.
8. The online document management system of claim 4, wherein one or more of said editorial computers replicate an existing journal for training purposes.
9. The online document management system of claim 1, wherein said data processor is further configured to convert one or more submitted documents to a Common Readable Format.
10. The online document management system of claim 9, wherein said Common Readable Format is Hypertext Markup Language or Extensible Markup Language.
11. The online document management system of claim 1, wherein one or more of the editorial computers automatically assigns editors according to rules and settings of the management system.
12. The online document management system of claim 1, wherein one or more of the editorial computers search for reviewers by taking into account the author's preferred reviewers.
13. The online document management system of claim 1, wherein annotations to one or more submitted documents are made in the documents being displayed.
14. A computer-implemented method of online document management, comprising:
  - receiving documents via said multi-node network from said one or more user computers;
  - storing said received documents in a non-transitory computer readable medium;
  - accessing journal database records, wherein said database records include information associated with submitted documents and user profiles;
  - receiving via said multi-node network comments regarding said received documents from one or more computers operated by one or more reviewers; and
  - migrating via a data processor one or more submitted documents between non-sister journal databases.

15. The method of claim 14, further comprising recommending a journal to an author if said journal has published articles which have a high similarity with an article submitted by said author.

16. The method of claim 15, wherein said high similarity is determined by creating a fingerprint of said published articles of said journal, creating a fingerprint of said article submitted by said author, and comparing the fingerprint of said published articles of said journal to the fingerprint of said article submitted by said author.

17. The method of claim 14, further comprising initiating a training process from one or more trainer computers for journal users.

18. The method of claim 14, further comprising selecting one or more submitted documents and processing the selected documents as a group with shared properties.

19. The method of claim 14, further comprising converting one or more submitted documents to a Common Readable Format.

20. The method of claim 14, further comprising assigning editors according to predefined rules.

## Abstract

An online document management system is disclosed. In one embodiment, the online document management system comprises: one or more editorial computers operated by one or more administrators or editors, the editorial computers send invitations and manage peer review of document submissions; one or more system computers, the system computers maintain journals, records of submitted documents and user profiles, and issue notifications; and one or more user computers; the user computers submit documents or revisions to the document management system; wherein one or more of the editorial computers coordinate with one or more of the system computers to migrate one or more documents between journals maintained by the online document management system.

Registration / Deactivation

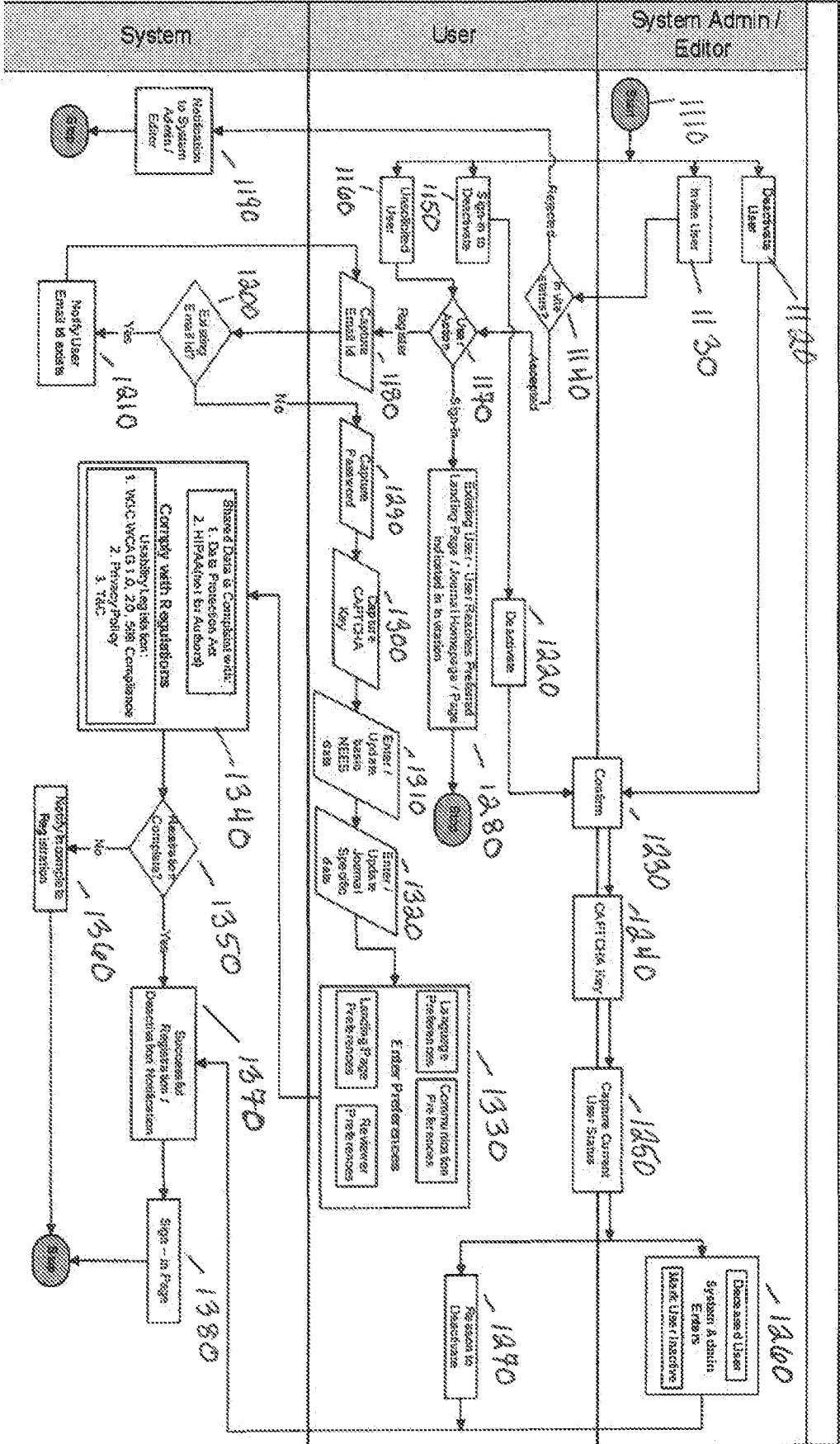


FIGURE 1



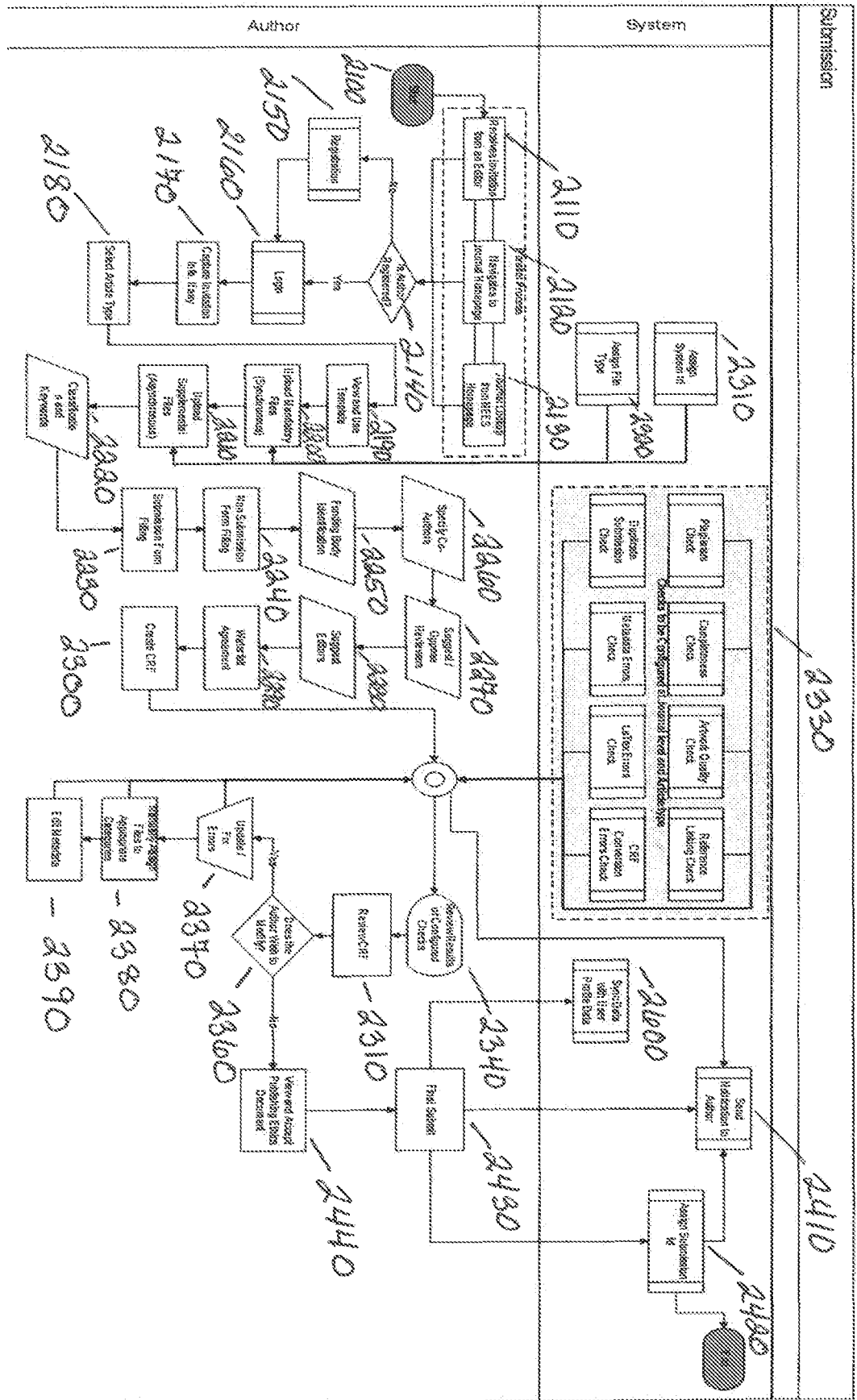


FIGURE 3

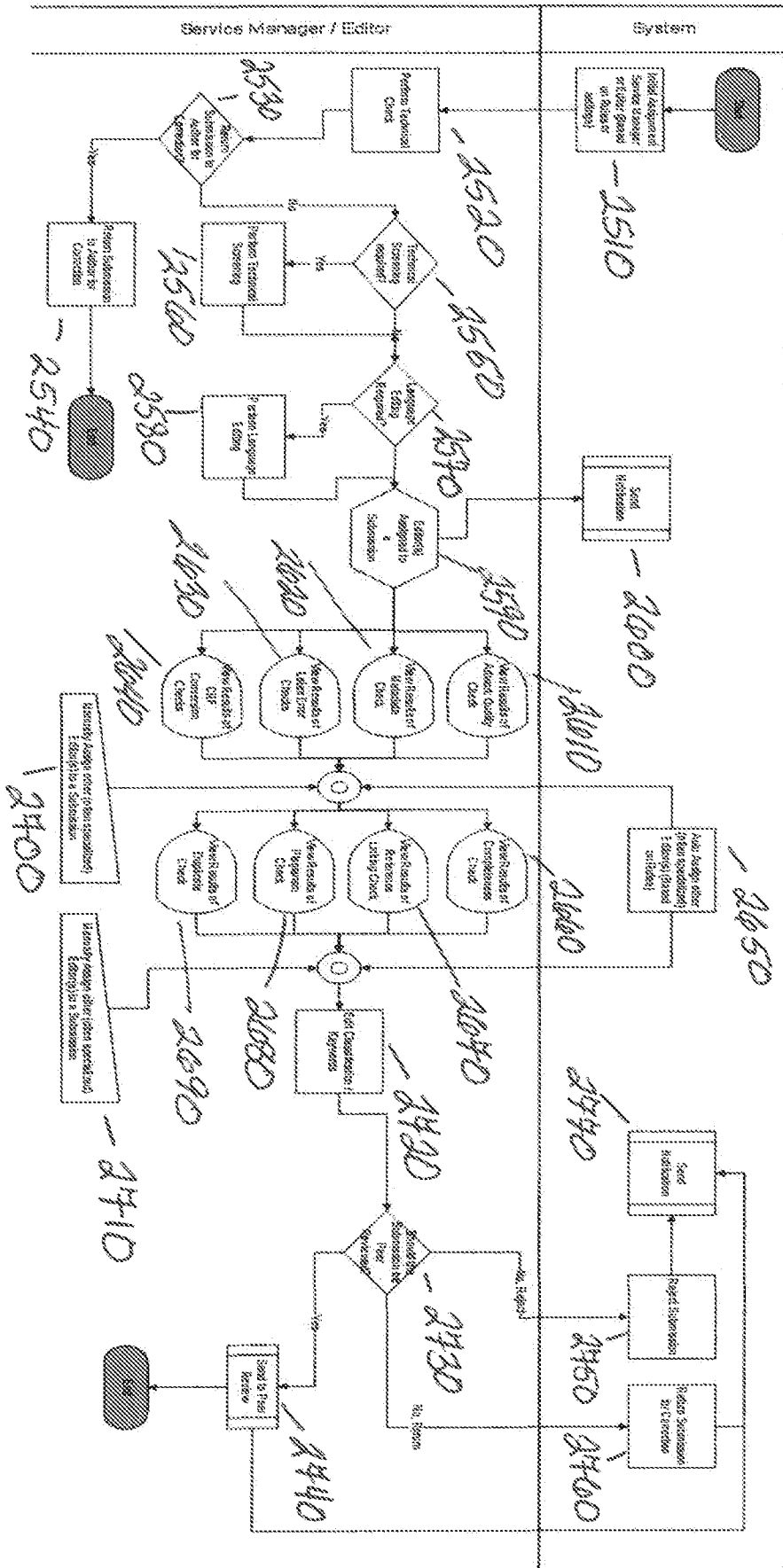


FIGURE 4





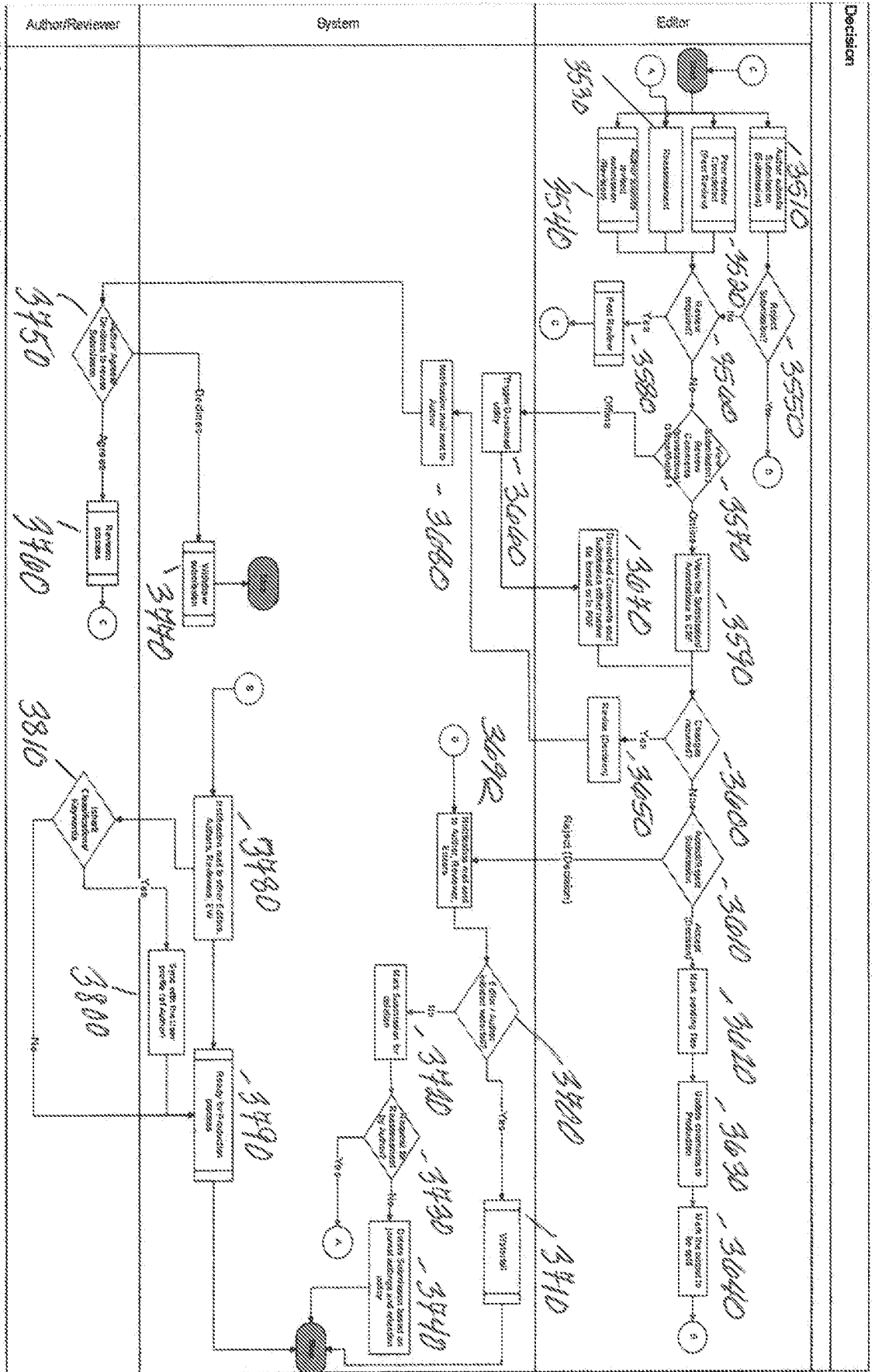


FIGURE 6

11/24/88 Peter... Support... 1/28/88

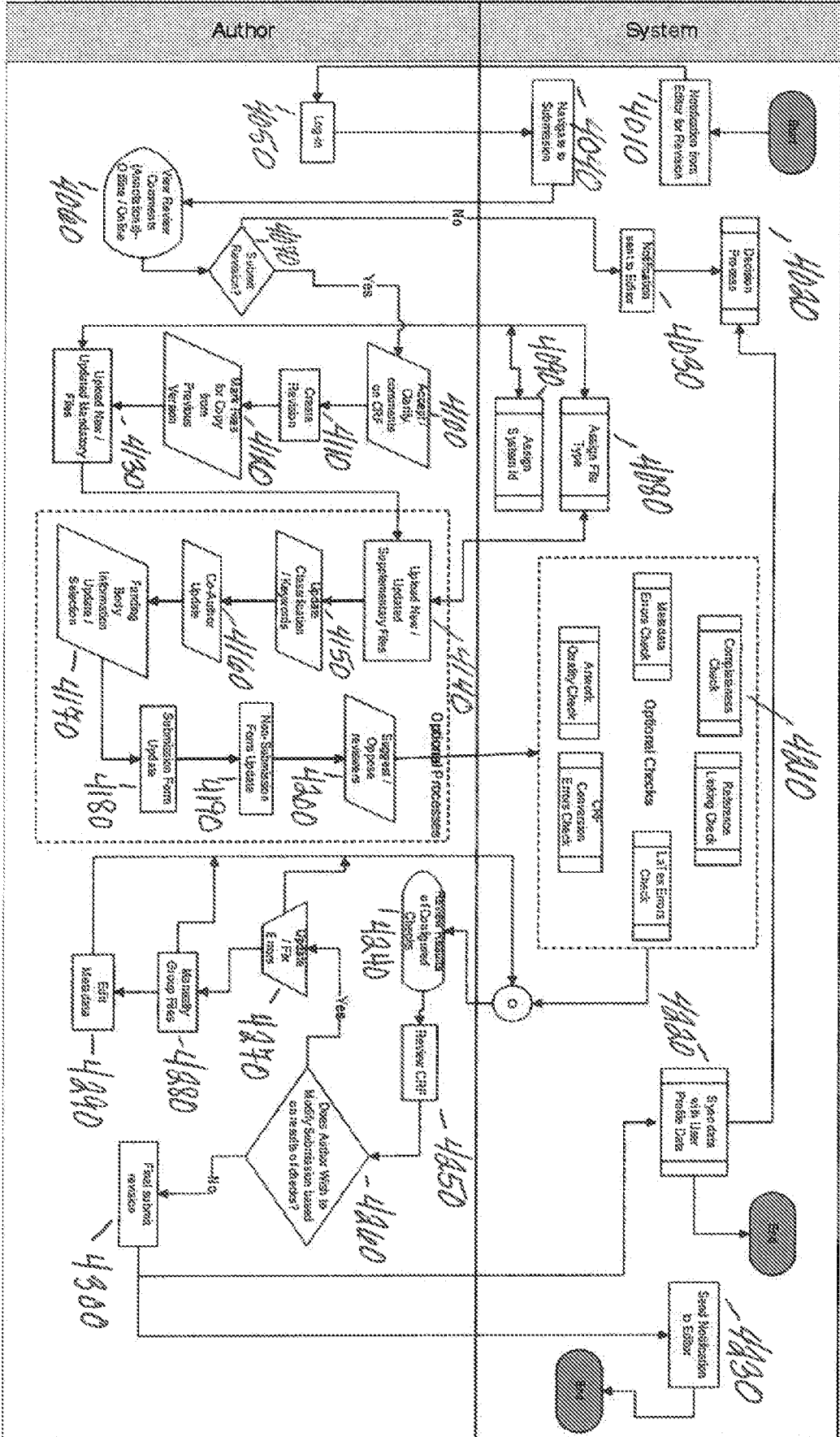


FIGURE 7

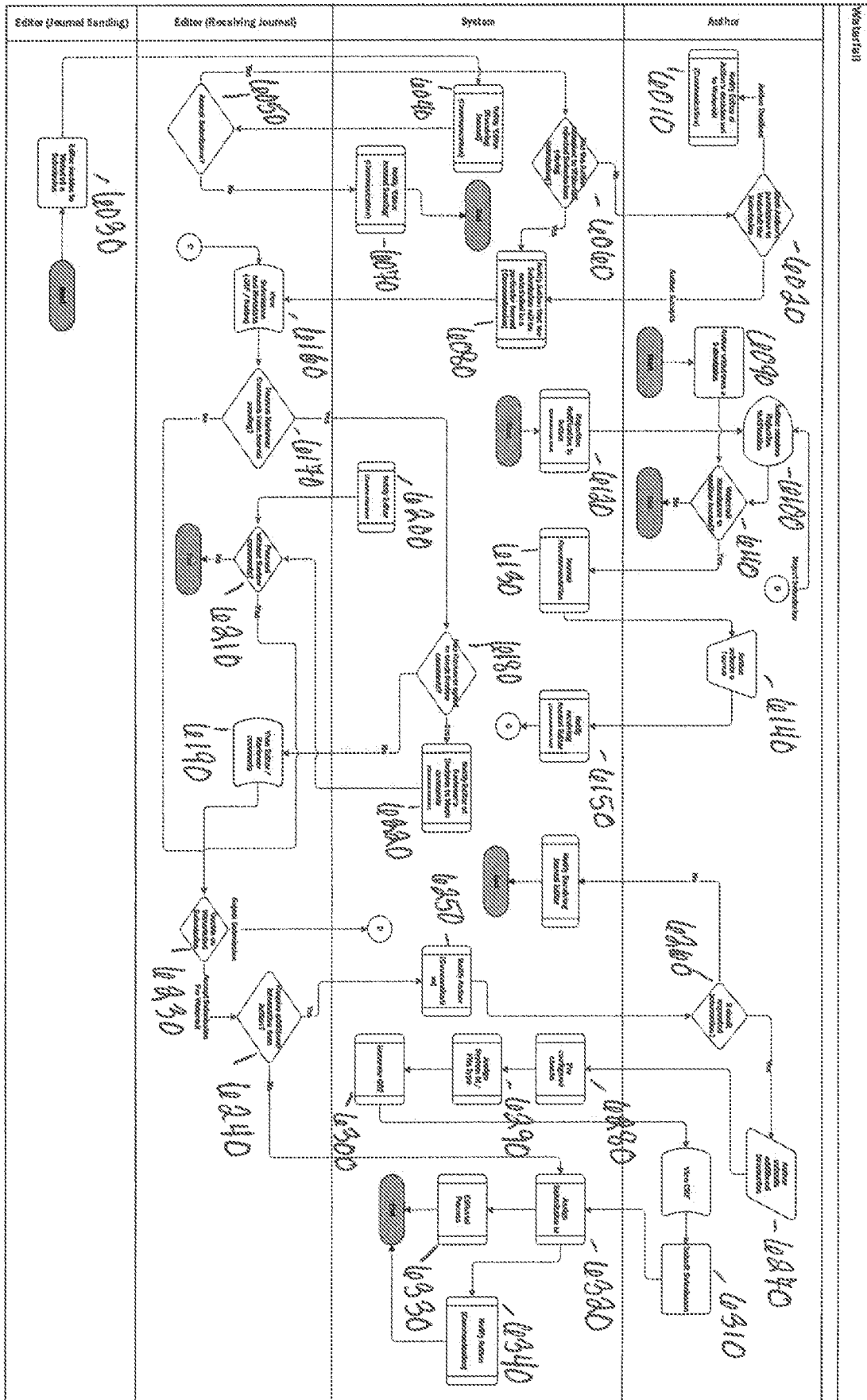


FIGURE 8



Journal Administration Process

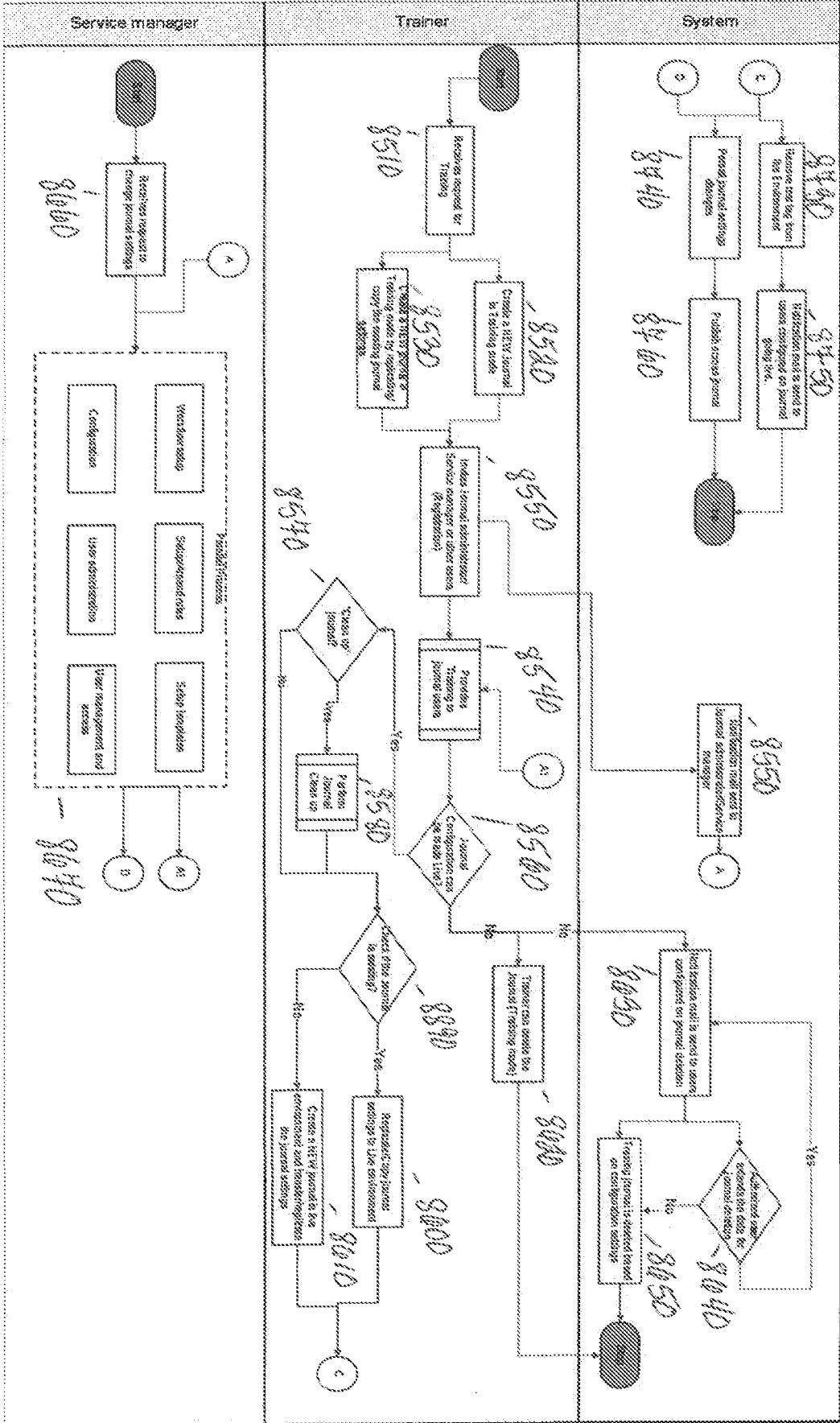


FIGURE 10

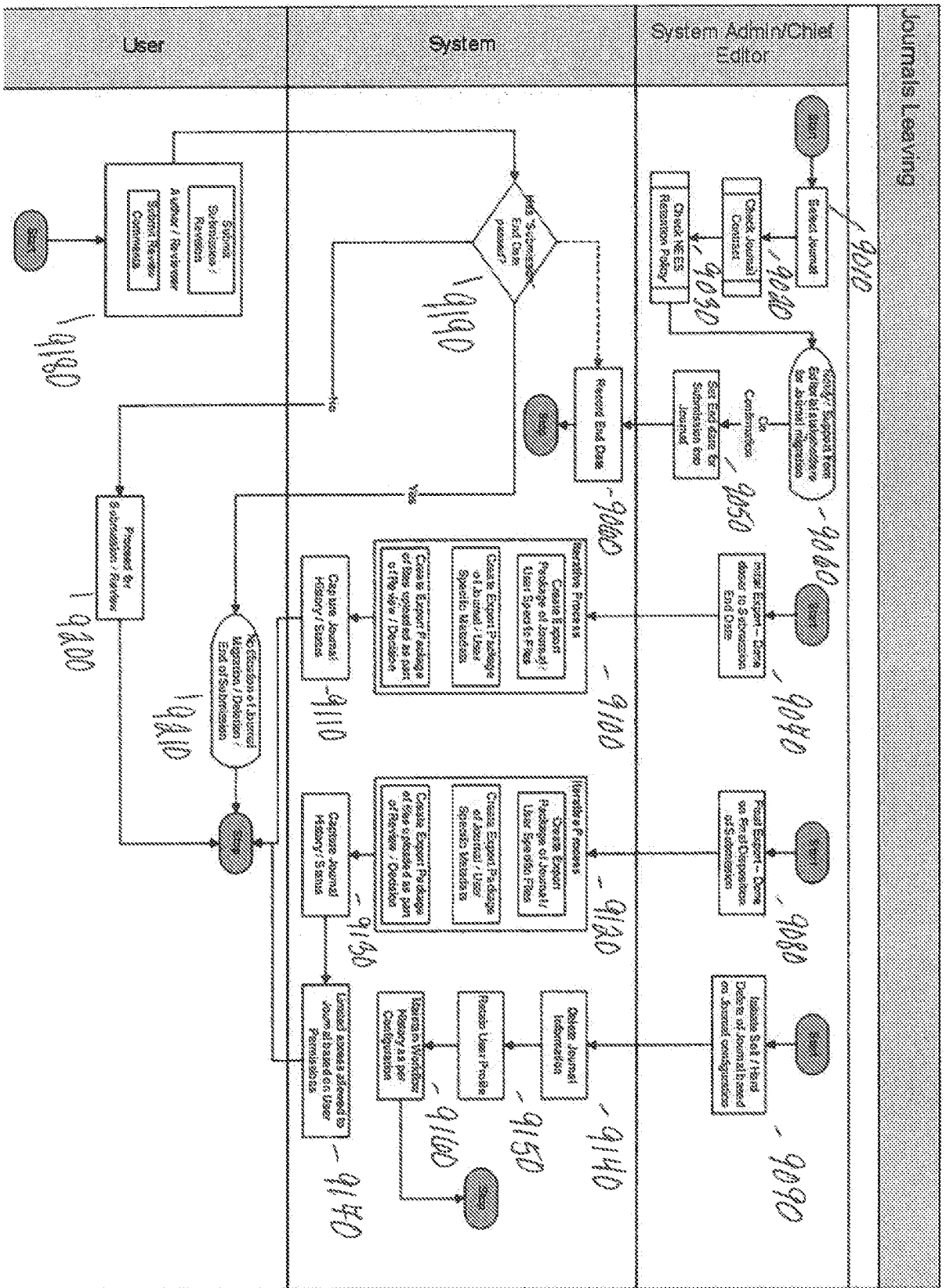


FIGURE 11

Under the Paperwork Reduction Act of 1995, no persons are required to respond to a collection of information unless it contains a valid OMB control number.

<b>Application Data Sheet 37 CFR 1.76</b>		Attorney Docket Number	237494-000061
		Application Number	
Title of Invention	Online Peer Review System and Method		
<p>The application data sheet is part of the provisional or nonprovisional application for which it is being submitted. The following form contains the bibliographic data arranged in a format specified by the United States Patent and Trademark Office as outlined in 37 CFR 1.76. This document may be completed electronically and submitted to the Office in electronic format using the Electronic Filing System (EFS) or the document may be printed and included in a paper filed application.</p>			

**Secrecy Order 37 CFR 5.2**

- Portions or all of the application associated with this Application Data Sheet may fall under a Secrecy Order pursuant to 37 CFR 5.2 (Paper filers only. Applications that fall under Secrecy Order may not be filed electronically.)

**Applicant Information:**

<b>Applicant 1</b>				
<b>Applicant Authority</b> <input checked="" type="radio"/> Inventor		<input type="radio"/> Legal Representative under 35 U.S.C. 117		<input type="radio"/> Party of Interest under 35 U.S.C. 118
<b>Prefix</b>	<b>Given Name</b>	<b>Middle Name</b>	<b>Family Name</b>	<b>Suffix</b>
	Robin		Lopulalan	
<b>Residence Information (Select One)</b> <input checked="" type="radio"/> US Residency <input type="radio"/> Non US Residency <input type="radio"/> Active US Military Service				
<b>City</b>	<b>State/Province</b>	<b>Country of Residence</b>		
<b>Citizenship under 37 CFR 1.41(b)</b>				
<b>Mailing Address of Applicant:</b>				
<b>Address 1</b>				
<b>Address 2</b>				
<b>City</b>	<b>State/Province</b>			
<b>Postal Code</b>	<b>Country</b>			
All Inventors Must Be Listed - Additional Inventor Information blocks may be generated within this form by selecting the <b>Add</b> button. <span style="float: right;"><input type="button" value="Add"/></span>				

**Correspondence Information:**

Enter either Customer Number or complete the Correspondence Information section below. For further information see 37 CFR 1.33(a).			
<input type="checkbox"/> An Address is being provided for the correspondence information of this application.			
<b>Customer Number</b>	84310		
<b>Email Address</b>	PATENTS@TROUTMANSANDERS.COM	<input type="button" value="Add Email"/>	<input type="button" value="Remove Email"/>

**Application Information:**

<b>Title of the Invention</b>	Online Peer Review System and Method		
<b>Attorney Docket Number</b>	237494-000061	<b>Small Entity Status Claimed</b> <input type="checkbox"/>	
<b>Application Type</b>	Nonprovisional		
<b>Subject Matter</b>	Utility		
<b>Suggested Class (if any)</b>		<b>Sub Class (if any)</b>	
<b>Suggested Technology Center (if any)</b>			
<b>Total Number of Drawing Sheets (if any)</b>	11	<b>Suggested Figure for Publication (if any)</b>	

<b>Application Data Sheet 37 CFR 1.76</b>	Attorney Docket Number	237494-000061
	Application Number	
Title of Invention	Online Peer Review System and Method	

**Publication Information:**

<input type="checkbox"/>	Request Early Publication (Fee required at time of Request 37 CFR 1.219)
<input type="checkbox"/>	<b>Request Not to Publish.</b> I hereby request that the attached application not be published under 35 U.S.C. 122(b) and certify that the invention disclosed in the attached application <b>has not and will not</b> be the subject of an application filed in another country, or under a multilateral international agreement, that requires publication at eighteen months after filing.

**Representative Information:**

Representative information should be provided for all practitioners having a power of attorney in the application. Providing this information in the Application Data Sheet does not constitute a power of attorney in the application (see 37 CFR 1.32). Enter either Customer Number or complete the Representative Name section below. If both sections are completed the Customer Number will be used for the Representative Information during processing.			
Please Select One:	<input checked="" type="radio"/> Customer Number	<input type="radio"/> US Patent Practitioner	<input type="radio"/> Limited Recognition (37 CFR 11.9)
Customer Number	84310		

**Domestic Benefit/National Stage Information:**

This section allows for the applicant to either claim benefit under 35 U.S.C. 119(e), 120, 121, or 365(c) or indicate National Stage entry from a PCT application. Providing this information in the application data sheet constitutes the specific reference required by 35 U.S.C. 119(e) or 120, and 37 CFR 1.78(a)(2) or CFR 1.78(a)(4), and need not otherwise be made part of the specification.			
Prior Application Status		<a href="#">Remove</a>	
Application Number	Continuity Type	Prior Application Number	Filing Date (YYYY-MM-DD)
Additional Domestic Benefit/National Stage Data may be generated within this form by selecting the <b>Add</b> button.			

**Foreign Priority Information:**

This section allows for the applicant to claim benefit of foreign priority and to identify any prior foreign application for which priority is not claimed. Providing this information in the application data sheet constitutes the claim for priority as required by 35 U.S.C. 119(b) and 37 CFR 1.55(a).			
<a href="#">Remove</a>			
Application Number	Country <sup>1</sup>	Parent Filing Date (YYYY-MM-DD)	Priority Claimed
			<input checked="" type="radio"/> Yes <input type="radio"/> No
Additional Foreign Priority Data may be generated within this form by selecting the <b>Add</b> button.			

**Assignee Information:**

Providing this information in the application data sheet does not substitute for compliance with any requirement of part 3 of Title 37 of the CFR to have an assignment recorded in the Office.
<b>Assignee 1</b>



Under the Paperwork Reduction Act of 1995, no persons are required to respond to a collection of information unless it contains a valid OMB control number.

<b>Application Data Sheet 37 CFR 1.76</b>	Attorney Docket Number	237494-000061
	Application Number	
Title of Invention	Online Peer Review System and Method	

If the Assignee is an Organization check here. <input type="checkbox"/>				
Prefix	Given Name	Middle Name	Family Name	Suffix
<b>Mailing Address Information:</b>				
Address 1				
Address 2				
City		State/Province		
Country	US	Postal Code		
Phone Number		Fax Number		
Email Address				
Additional Assignee Data may be generated within this form by selecting the <b>Add</b> button.				

**Signature:**

A signature of the applicant or representative is required in accordance with 37 CFR 1.33 and 10.18. Please see 37 CFR 1.4(d) for the form of the signature.					
Signature	/Suraj K. Balusu 65,519/			Date (YYYY-MM-DD)	2012-06-28
First Name	Suraj	Last Name	Balusu	Registration Number	65519

This collection of information is required by 37 CFR 1.76. The information is required to obtain or retain a benefit by the public which is to file (and by the USPTO to process) an application. Confidentiality is governed by 35 U.S.C. 122 and 37 CFR 1.14. This collection is estimated to take 23 minutes to complete, including gathering, preparing, and submitting the completed application data sheet form to the USPTO. Time will vary depending upon the individual case. Any comments on the amount of time you require to complete this form and/or suggestions for reducing this burden, should be sent to the Chief Information Officer, U.S. Patent and Trademark Office, U.S. Department of Commerce, P.O. Box 1450, Alexandria, VA 22313-1450. DO NOT SEND FEES OR COMPLETED FORMS TO THIS ADDRESS. **SEND TO: Commissioner for Patents, P.O. Box 1450, Alexandria, VA 22313-1450.**

# Privacy Act Statement

The Privacy Act of 1974 (P.L. 93-579) requires that you be given certain information in connection with your submission of the attached form related to a patent application or patent. Accordingly, pursuant to the requirements of the Act, please be advised that: (1) the general authority for the collection of this information is 35 U.S.C. 2(b)(2); (2) furnishing of the information solicited is voluntary; and (3) the principal purpose for which the information is used by the U.S. Patent and Trademark Office is to process and/or examine your submission related to a patent application or patent. If you do not furnish the requested information, the U.S. Patent and Trademark Office may not be able to process and/or examine your submission, which may result in termination of proceedings or abandonment of the application or expiration of the patent.

The information provided by you in this form will be subject to the following routine uses:

1. The information on this form will be treated confidentially to the extent allowed under the Freedom of Information Act (5 U.S.C. 552) and the Privacy Act (5 U.S.C. 552a). Records from this system of records may be disclosed to the Department of Justice to determine whether the Freedom of Information Act requires disclosure of these records.
2. A record from this system of records may be disclosed, as a routine use, in the course of presenting evidence to a court, magistrate, or administrative tribunal, including disclosures to opposing counsel in the course of settlement negotiations.
3. A record in this system of records may be disclosed, as a routine use, to a Member of Congress submitting a request involving an individual, to whom the record pertains, when the individual has requested assistance from the Member with respect to the subject matter of the record.
4. A record in this system of records may be disclosed, as a routine use, to a contractor of the Agency having need for the information in order to perform a contract. Recipients of information shall be required to comply with the requirements of the Privacy Act of 1974, as amended, pursuant to 5 U.S.C. 552a(m).
5. A record related to an International Application filed under the Patent Cooperation Treaty in this system of records may be disclosed, as a routine use, to the International Bureau of the World Intellectual Property Organization, pursuant to the Patent Cooperation Treaty.
6. A record in this system of records may be disclosed, as a routine use, to another federal agency for purposes of National Security review (35 U.S.C. 181) and for review pursuant to the Atomic Energy Act (42 U.S.C. 218(c)).
7. A record from this system of records may be disclosed, as a routine use, to the Administrator, General Services, or his/her designee, during an inspection of records conducted by GSA as part of that agency's responsibility to recommend improvements in records management practices and programs, under authority of 44 U.S.C. 2904 and 2906. Such disclosure shall be made in accordance with the GSA regulations governing inspection of records for this purpose, and any other relevant (i.e., GSA or Commerce) directive. Such disclosure shall not be used to make determinations about individuals.
8. A record from this system of records may be disclosed, as a routine use, to the public after either publication of the application pursuant to 35 U.S.C. 122(b) or issuance of a patent pursuant to 35 U.S.C. 151. Further, a record may be disclosed, subject to the limitations of 37 CFR 1.14, as a routine use, to the public if the record was filed in an application which became abandoned or in which the proceedings were terminated and which application is referenced by either a published application, an application open to public inspections or an issued patent.
9. A record from this system of records may be disclosed, as a routine use, to a Federal, State, or local law enforcement agency, if the USPTO becomes aware of a violation or potential violation of law or regulation.

## SCORE Placeholder Sheet for IFW Content

Application Number: 13536700

Document Date: 6/28/2012

The presence of this form in the IFW record indicates that the following document type was received in electronic format on the date identified above. This content is stored in the SCORE database.

- Drawings – Other than Black and White Line Drawings

Since this was an electronic submission, there is no physical artifact folder, no artifact folder is recorded in PALM, and no paper documents or physical media exist. The TIFF images in the IFW record were created from the original documents that are stored in SCORE.

To access the documents in the SCORE database, refer to instructions developed by SIRA.

At the time of document entry (noted above):

- Examiners may access SCORE content via the eDAN interface.
- Other USPTO employees can bookmark the current SCORE URL (<http://es/ScoreAccessWeb/>).
- External customers may access SCORE content via the Public and Private PAIR interfaces.