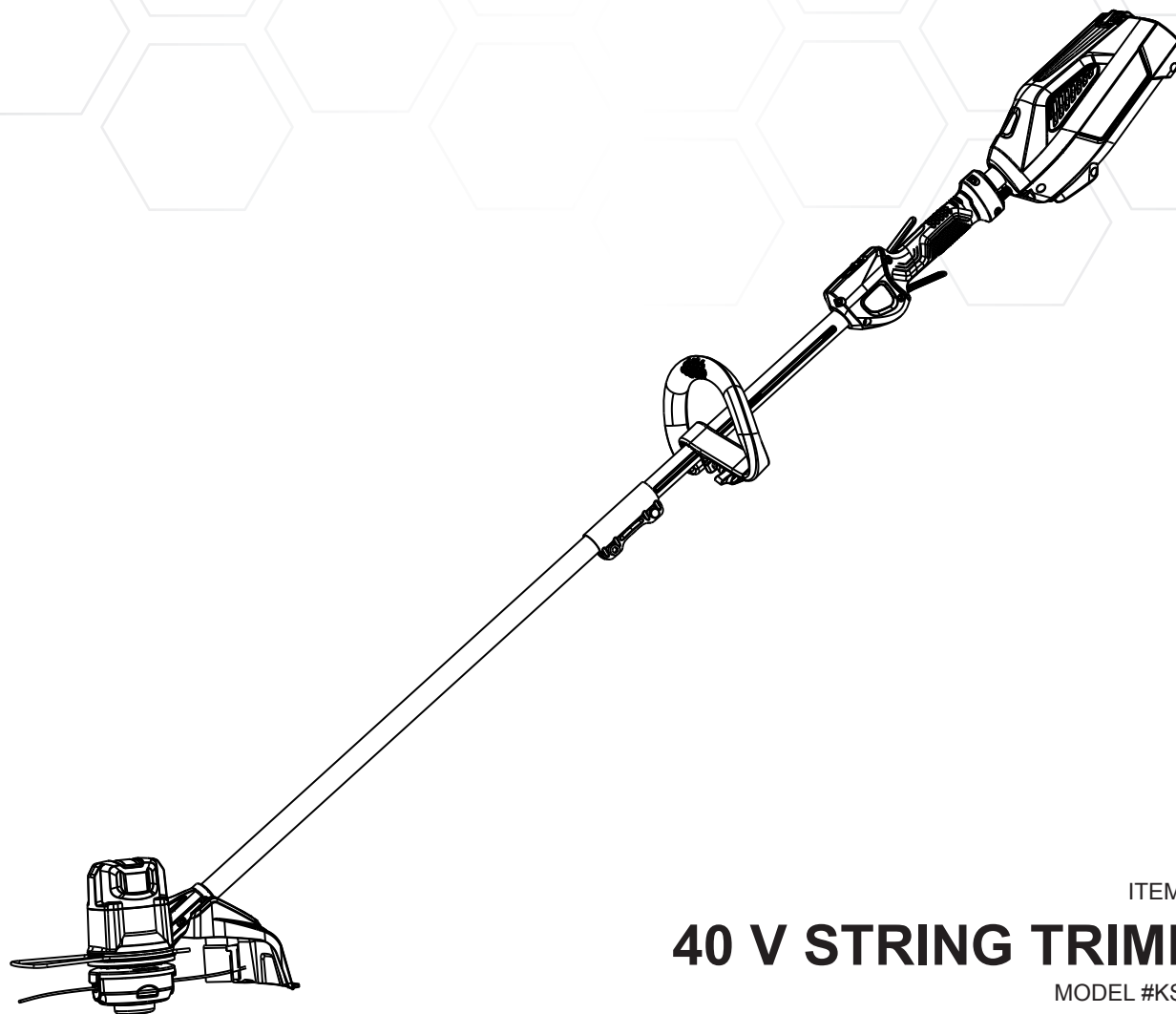


KOBALT™



ITEM #0796787

40 V STRING TRIMMER

MODEL #KST 130X-06

Español p. 20

ATTACH YOUR RECEIPT HERE

Serial Number _____ Purchase Date _____



Questions, problems, missing parts? Before returning to your retailer, call our customer service department at **1-888-3KOBALT** (1-888-356-2258), 8 a.m. - 8 p.m., EST, Monday - Friday.

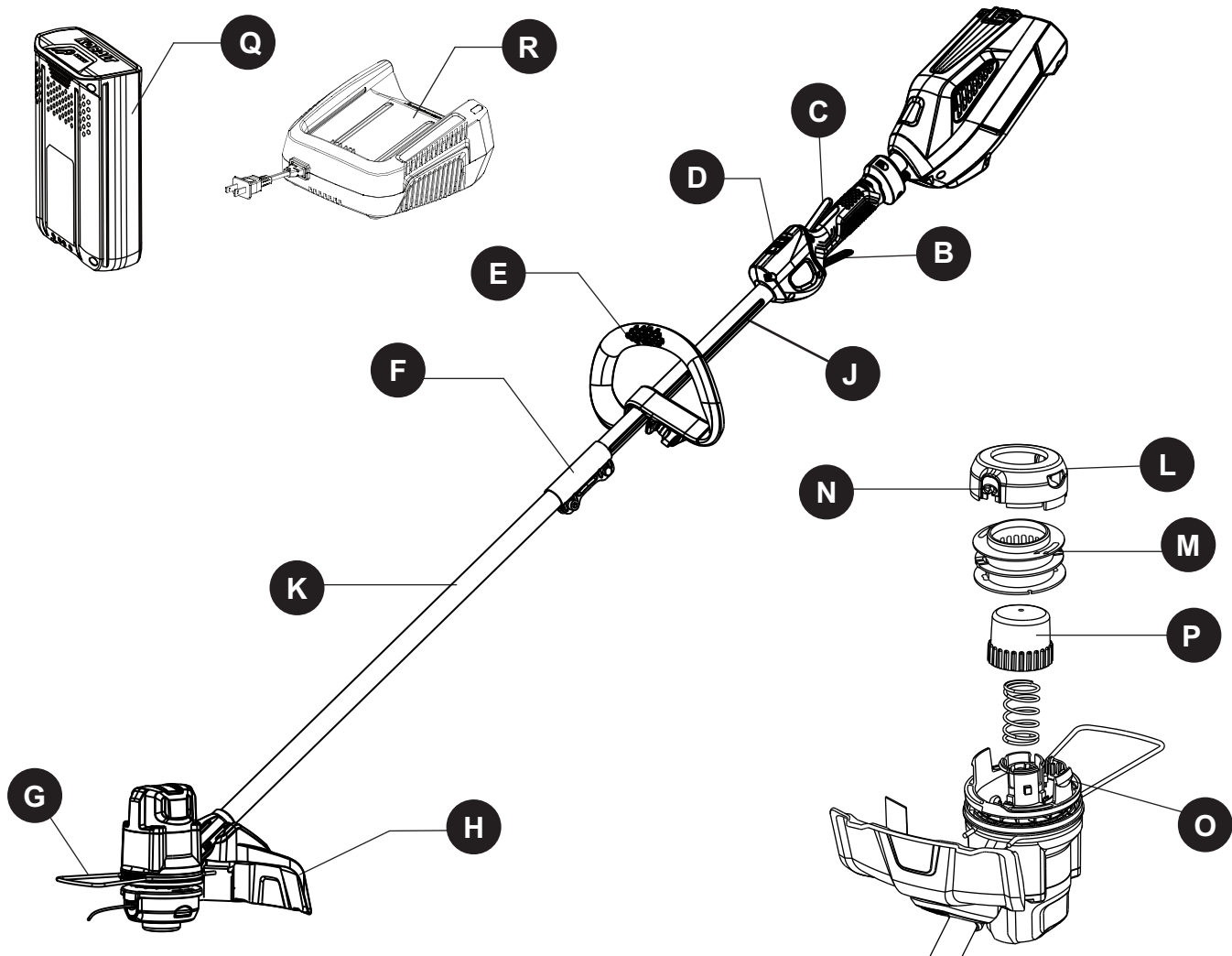
TABLE OF CONTENTS

Product Specifications.....	2
Package Contents.....	3
Hardware Contents.....	4
Symbols.....	5
Safety Information.....	7
Preparation	9
Assembly Instructions	10
Operating Instructions	14
Care and Maintenance	16
Troubleshooting.....	17
Warranty.....	18
Replacement Parts List	19

PRODUCT SPECIFICATIONS

SPECIFICATIONS	
Type	Cordless, battery-powered
Speed	6,800 / 7,800 RPM
Cutting Path	11 / 13 in. (280 / 330 mm)
Line diameter	0.080 in. (2.0 mm)
Cutting capacity	Dual line
Weight without battery	7.7 lbs.

PACKAGE CONTENTS



PART	DESCRIPTION	QUANTITY
B	Trigger	1
C	Lock-off Lever	1
D	Speed Switch	1
E	Front/Auxiliary Handle	1
F	Coupler	1
G	Edge Guard	1
H	Guard	1
J	Upper Tube	1
K	Lower Tube	1
L	Spool Cover (preassembled to Spool Housing)	1

PART	DESCRIPTION	QUANTITY
M	Spool (preassembled to Spool Housing)	1
N	Opening (preassembled to Spool Housing)	1
O	Spool housing (preassembled to Spool Housing)	1
P	Bump Knob	1
Q	Battery	1
R	Charger	1

HARDWARE CONTENTS (not shown actual size)

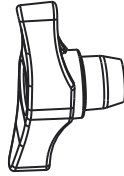
AA



Screw
(preassembled
to the Guard (H))

Qty. 2

BB



Fastening Knob

Qty. 1

CC



Bolt

Qty. 1

DD












Hex Wrench

Qty. 1

SYMBOLS


Some of the following symbols may be used on this product. Please study them and learn their meaning. Proper interpretation of these symbols will allow you to operate the product better and safer.

SYMBOLS	DESIGNATION	EXPLANATION
V	Volts	Voltage
A	Amperes	Current
Hz	Hertz	Frequency (cycles per second)
W	Watts	Power
min	Minutes	Time
	Alternating Current	Type of current
	Direct Current	Type or a characteristic of current
n_0	No Load Speed	Rational speed, at no load
/min	Per Minute	Revolutions, strokes, surface speed, orbits, etc., per minute.
	Wet Conditions Alert	Do not expose to rain or use in damp locations.
	Read the Operator's Manual	To reduce the risk of injury, user must read and understand operator's manual before using this product.
	Eye Protection	Wear eye protection with side shields that are marked to comply with ANSI Z87.1 when operating this equipment.
	Safety Alert	Precautions that involve your safety.
	No Blade	Do not install or use any type of blade on a product displaying this symbol.
	Ricochet	Thrown objects can ricochet and result in personal injury or property damage.
	Keep Bystanders Away	Keep all bystanders at least 50 ft. away.


SYMBOLS

Save these Instructions

The following signal words and meanings are intended to explain the levels of risk associated with this product.

SYMBOL	SIGNAL	MEANING
	DANGER	Indicates an imminently hazardous situation, which, if not avoided, will result in death or serious injury.
	WARNING	Indicates a potentially hazardous situation, which, if not avoided, could result in death or serious injury.
	CAUTION	Indicates a potentially hazardous situation, which, if not avoided, may result in minor or moderate injury.
	CAUTION	(Without Safety Alert Symbol) Indicates a situation that may result in property damage.

WARNING

- To avoid serious personal injury, do not attempt to use this product until you have read this Owner's Manual thoroughly and understand it completely. If you do not understand the warnings and instructions in this Owner's Manual, do not use this product. Call 1-888-356-2258 for assistance.
-  The operation of any power tool can result in foreign objects being thrown into your eyes, which can result in severe eye damage. Before beginning power tool operation, always wear safety goggles or safety glasses with side shields and, when needed, a full face shield. We recommend a wide vision safety mask for use over eyeglasses or standard safety glasses with side shields. Always use eye protection which is marked to comply with ANSI Z87.1.



SAFETY INFORMATION



WARNING

Read and understand all instructions before using this product. Failure to follow all instructions listed below may result in electric shock, fire, and/or serious personal injury.

- Do not operate power tools in explosive atmospheres, such as in the presence of flammable liquids, gases, or dust. Power tools create sparks that may ignite the dust or fumes.
- Do not allow children or untrained individuals to use this unit.
- Don't expose power tools to rain or wet conditions. Water entering a power tool will increase the risk of electric shock.
- Do not handle battery or tool with wet hands.
- Never allow children to operate the equipment. Never allow adults to operate the equipment without proper instruction.
- Always wear safety glasses with side shields that are marked to comply with ANSI Z87.1. Everyday glasses have only impact resistant lenses. They are NOT safety glasses. Following this rule will reduce the risk of eye injury. Use face mask if operation is dusty.
- Store indoors.
- Do not operate in poor lighting.
- Keep all parts of your body away from any moving part.
- Do not force tool. Use the correct tool for your application. The correct tool will do the job better and safer at the rate for which it is designed.
- Do not operate the equipment while barefoot or when wearing sandals or similar lightweight footwear. Wear protective footwear that will protect your feet and improve your footing on slippery surfaces.
- Keep firm footing and balance. Do not overreach. Overreaching can result in loss of balance.
- Do not allow to be used as a toy. Close attention is necessary when used by or near children.
- Do not use tool if switch does not turn it on or off. Any tool that cannot be controlled with the switch is dangerous and must be repaired.
- Keep all bystanders, children, and pets at least 50 ft. away.
- Do not operate this unit when you are tired, ill, or under the influence of alcohol, drugs, or medication.
- Do not put any object into openings. Do not use with any opening blocked; keep openings free.
- Check the work area before each use. Remove all objects such as rocks, broken glass, nails, wire, or string which can be thrown or become entangled in the machine.
- Use only identical manufacturer's replacement parts and accessories. Use of any other parts may create a hazard or cause product damage.
- Do not charge battery in the rain, or damp or wet locations. Following this rule will reduce the risk of electric shock.
- For household use only.
- Battery tools do not have to be plugged into an electrical outlet; therefore, they are always in operating condition. Be aware of possible hazards when not using your battery tool or when changing accessories. Following this rule will reduce the risk of electric shock, fire, or serious personal injury.
- Remove or disconnect battery before servicing, cleaning or removing material from the gardening appliance.
- Use only 40 V Kobalt batteries (KB 240-06, KB 440-06, KB 245-06, KB 540-06).
- Store idle appliances - When not in use, the string trimmer should be stored indoors in a dry, locked place out of the reach of children.



SAFETY INFORMATION

- Do not dispose of the batteries in a fire. The cell may explode. Check with local codes for possible special disposal instructions. Do not open or mutilate the batteries. Released electrolyte is corrosive and may cause damage to the eyes or skin. It may be toxic if swallowed. Do not place battery tools or their batteries near fire or heat. This will reduce the risk of explosion and possibly injury.
- Batteries can explode in the presence of a source of ignition, such as a pilot light. To reduce the risk of serious personal injury, never use any cordless product in the presence of an open flame. An exploded battery can propel debris and chemicals. If exposed, flush with water immediately.
- Do not crush, drop or damage battery. Do not use a battery or charger that has been dropped or received a sharp blow. A damaged battery is subject to explosion. Properly dispose of a dropped or damaged battery immediately.
- Exercise care in handling batteries in order not to short the battery with conducting materials such as rings, bracelets, and keys. The battery or conductor may overheat and cause burns.
- Under extreme usage or temperature conditions, battery leakage may occur. If liquid comes in contact with your skin, wash immediately with soap and water, then neutralize with lemon juice or vinegar. If liquid gets into your eyes, flush them with clean water for at least 10 minutes, then seek immediate medical attention. Following this rule will reduce the risk of serious personal injury.
- If the charger power supply cord is damaged, it must be replaced only by the manufacturer or by an authorized service center to avoid risk.
- Do not point the string trimmer in the direction of people or pets.
- When not in use, the string trimmer should be stored indoors in a dry, locked up place-out of the reach of children.
- Maintain tool with care. Keep all vents and openings clean and clear of debris. Follow instructions for proper maintenance. Do not attempt to clear clogs from tool without first switching it off and removing the battery.
- Dress Properly – Do not wear loose clothing or jewelry. They can be caught in moving parts. Use of rubber gloves and substantial footwear is recommended when working outdoors. Wear protective hair covering to contain long hair.
- Use the Correct Appliance – Do not use appliance for any job except that for which it is intended.
- When battery pack is not in use, keep it away from other metal objects like paper clips, coins, keys, nails, screws or other small metal objects that can make a connection from one terminal to another. Shorting the battery terminal together may cause burns or a fire.
- Do not expose a battery pack or appliance to fire or excessive temperature. Exposure to fire or temperature above 265°F may cause explosion.
- Follow all charging instructions and do not charge the battery pack or appliance outside of the temperature range specified in the instructions. Charging improperly or at temperatures outside of the specified range may damage the battery and increase the risk of fire.
- Have servicing performed by a qualified repair person using only identical replacement parts. This will ensure that the safety of the product is maintained.
- Do not modify or attempt to repair the appliance or the battery pack (as applicable) except as indicated in the instructions for use and care.



SAFETY INFORMATION

Child safety

Tragic accidents can occur if the operator is not aware of the presence of children.

- Keep children out of the working area and under the watchful care of a responsible adult.
- Do not allow children under the age of 14 to operate this trimmer. Children who are 14 years of age or older must read and understand the operating instructions and safety rules in this manual and must be trained and supervised by a parent.
- Stay alert and turn the trimmer off if a child or any other person enters the working area.
- Look behind and down for small children before and while cutting backwards.
- Use extreme care when approaching blind corners, doorways, shrubs, trees, or other objects that may obscure your view of a child who may run into the path of the trimmer.



WARNING (Proposition 65)

Some dust created by power sanding, sawing, grinding, drilling and other construction activities contains chemicals known to the state of California to cause cancer, birth defects or other reproductive harm. Some examples of these chemicals are:

- Lead from lead-based paints
- Crystalline silica from bricks and cement and other masonry products,
- Arsenic and chromium from chemically-treated lumber.

Your risk from these exposures varies, depending on how often you do this type of work. To reduce your exposure to these chemicals: work in a well-ventilated area, and work with approved safety equipment, such as dust masks that are specially designed to filter out microscopic particles.

PREPARATION

Before beginning assembly of product, make sure all parts are present. Compare parts with package contents list and hardware contents list. If any part is missing or damaged, do not attempt to assemble the product.

Estimated Assembly Time: 5-10 minutes

ASSEMBLY INSTRUCTIONS

WARNING

To avoid injury and to reduce the risk of electrical shock or fire:

- Replace the battery or charger immediately if the battery case or charger cord is damaged.
- Always make sure the string trimmer switch is OFF before inserting or removing the battery.
- Always make sure the battery is removed and the switch turned OFF before inspecting, adjusting, or maintaining any other part of the string trimmer.
- Read, understand, and follow the Battery Charger instructions.

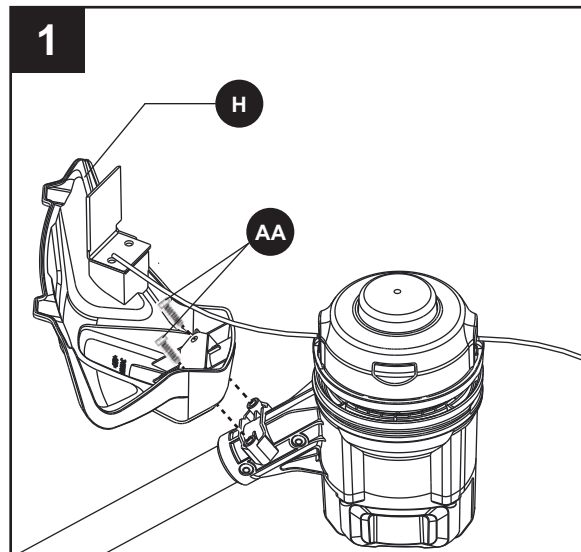
1. Guard

To avoid injury, always remove the battery before installing the guard, changing a cutting line, or making any adjustments.


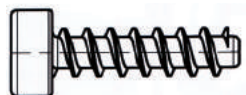

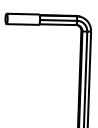
If the guard is damaged, do not use the grass trimmer/edger until it is replaced.

Note: Install the protective guard before operating the grass trimmer/edger. It should not be removed or disassembled.

- a. Remove the battery.
- b. Invert the grass trimmer/edger to access the trimmer head.
- c. Using a hex wrench, remove the pre-installed screws (AA) from the trimmer head.
- d. Place the guard (H) on to the trimmer head.
- e. Align the screw holes on the guard with the screw holes on the trimmer head.
- f. Insert the screws into the trimmer head, fastening the guard in place.



Hardware Used

	Screw		x 2
	Hex Wrench		x 1

ASSEMBLY INSTRUCTIONS

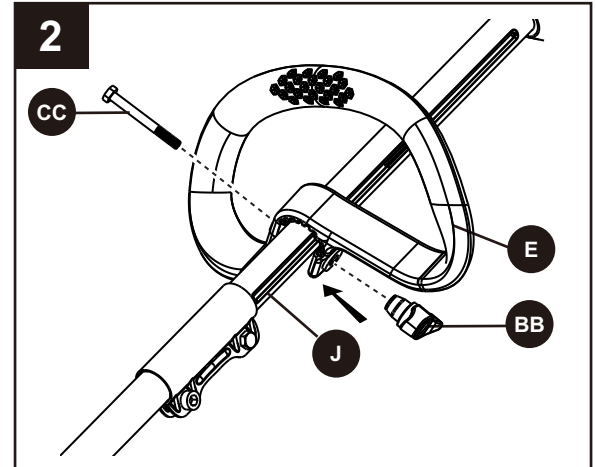
WARNING

To avoid injury, adjust the auxiliary handle for optimum control and balance. Do not overreach when operating grass trimmer/edger. Keep proper balance at all times for better control of the tool in unexpected situations.


2. Front handle

- Position the front/auxiliary handle (E) onto the upper portion of the trimmer section by sliding over the upper tube (J).
- Once the front handle is in the desired position, slide the bolt (CC) through the top of the handle and secure with the fastening knob (BB). Tighten until there is no movement in the handle.
- The front handle can be adjusted to a suitable position.

Note: Do not overtighten the fastening knob. It could cause the fastening clamp to break.



Hardware Used


BB Fastening knob  x 1

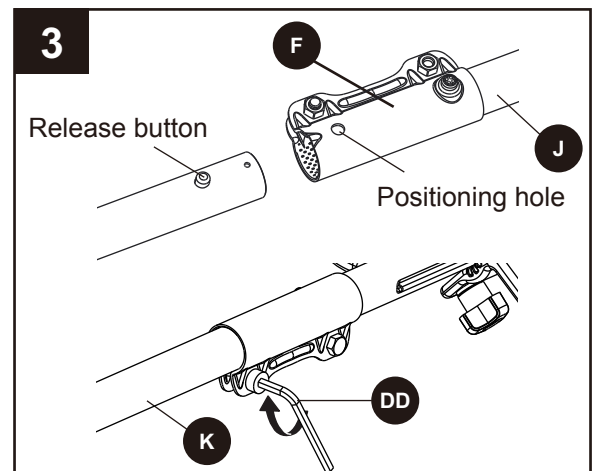
CC Bolt  x 1

3. Connect upper/lower trimmer tubes

- Push in the release button located on the lower tube (K). Align the release button with the positioning hole on the upper tube (J) and slide the two tubes together. Rotate the lower tube until the release button locks into the positioning hole.
- Tighten the screw with the hex wrench (DD).

Hardware Used

DD Hex Wrench  x 1



ASSEMBLY INSTRUCTIONS

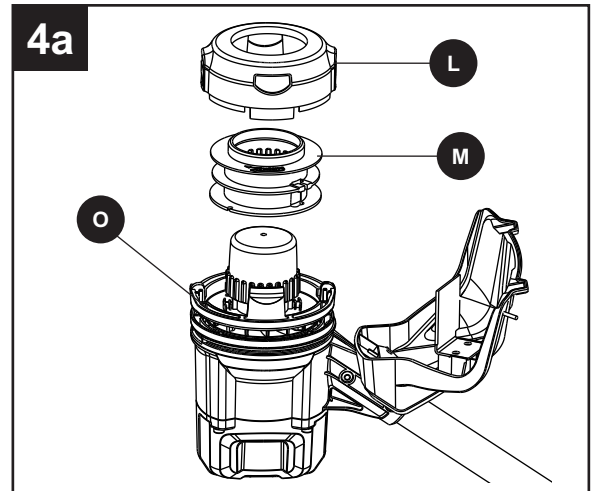
4. Cutting line

A spool of cutting line is pre-installed on the grass trimmer/edger. When the cutting line needs replacing, insert a new spool (not included) or rewind new line onto existing spool.

⚠ CAUTION: To avoid injury, always remove the battery before installing the guard, changing a cutting line, or making any adjustments.

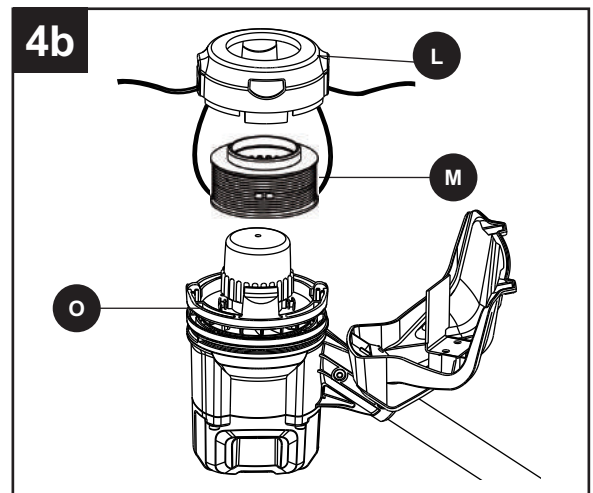
4a. To remove the spool:

- Remove the battery from the trimmer.
- Turn the string trimmer/edger over to access the spool.
- Remove the spool cover (L) by pressing on the two tabs parallel to each other on the sides of the spool cover (L).
- Remove the spool (M) from the spool housing (O).



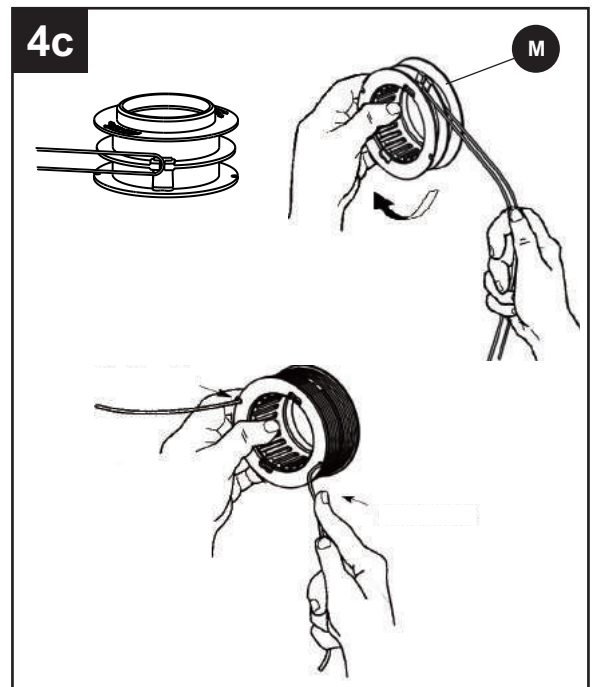
4b. To replace the spool:

- Replace the spool (M) with a new pre-wound spool (not included) or a re-wound spool.
- Insert the ends of the line through the line openings in the spool cover (L).
- Align the tabs on the spool cover (L) with the slots in the spool housing (O) on the trimmer head.
- Push down on the spool cover (L), locking it to the spool housing (O).



4c. To refill the spool:

- Cut a length of 0.080 in. (2.0 mm) nylon line approximately 25 ft. (8 m) long.
- Bend the line at the midpoint and hook the loop into the slot in the center rim of the spool (M). Ensure line snaps into position in the slot.
- Wind the line evenly and firmly in a clockwise direction. Once completed, put the line in the slot so it does not unwind.
- Do not wind the line beyond the edge of the spool (M).



ASSEMBLY INSTRUCTIONS

5. Battery

! IMPORTANT: The battery is not charged when it is purchased. Before using the trimmer for the first time, place the battery in the battery charger and charge.

5a. To install:

- Align the battery with the cavity in the string trimmer housing.
- Insert the battery into the handle until the battery release button locks into place. Push down on the battery until it locks into place. You should hear a “click” once it is installed.

Note: The battery can only be installed one way.

5b. To remove:

- Press the battery release button on the string trimmer. This will cause the battery to raise out of the tool slightly.
- Grasp the trimmer firmly and pull the battery out of the handle.

Note: The battery fits into the handle snugly in order to prevent accidental dislodging.

! WARNING: Follow these instructions in order to avoid injury and to reduce the risk of electric shock or fire:

- Replace the battery immediately if the battery case is damaged.
- Verify that the switch is in the OFF position before inserting or removing the battery.
- Verify that the battery is removed and the switch is in the OFF position before inspecting, adjusting, or performing maintenance on any part of the string trimmer.

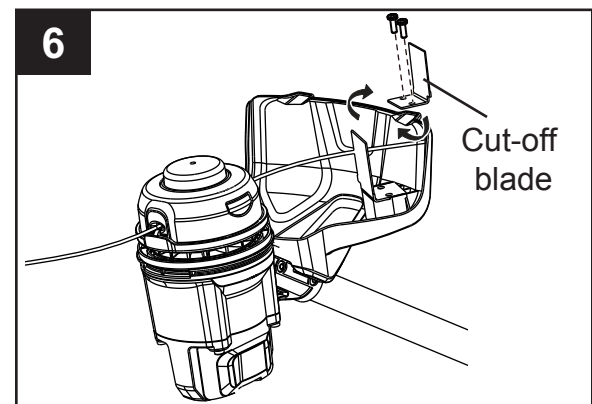
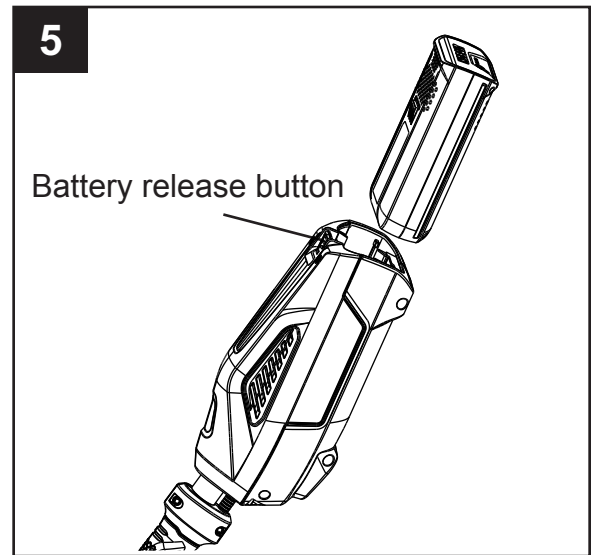
6. Adjusting the cutter blade

This trimmer is equipped with a line cut-off blade on the guard. The line cut off blade continuously trims the line to ensure a consistent and efficient cut diameter. Advance line whenever you hear the engine running faster than normal, or when trimming efficiency diminishes. This will maintain best performance and keep line long enough to advance properly.

This trimmer is currently set at the 11 in. cutting swath. To adjust to a cutting swath of 13 in.:

- Remove the battery from the string trimmer.
- Remove both screws on the cut-off blade with a hex wrench.
- Rotate the cut-off blade 180°.
- Replace both screws in the cut-off blade.

Note: Set the cut-off blade to 11 in. for greater runtime. Set the cut-off blade to 13 in. for greater cutting area.



OPERATING INSTRUCTIONS


WARNING

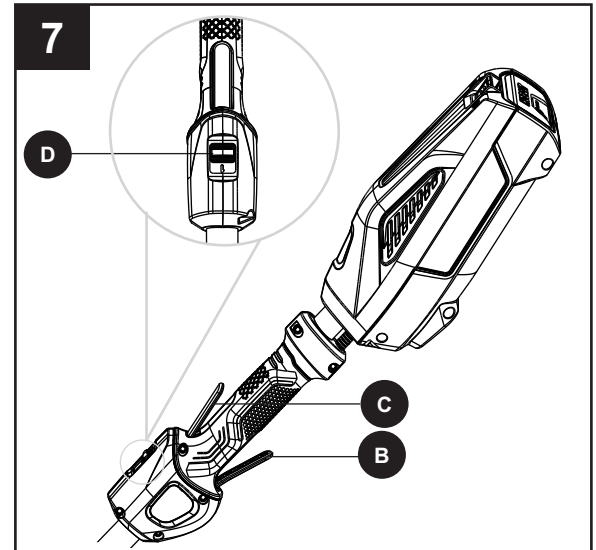
To avoid injury:

- Do not squeeze the trigger while the grass trimmer/edger is inverted.
- Do not carry the grass trimmer/edger with your finger on the switch. Avoid unintentional starting.

1. To turn on/off:

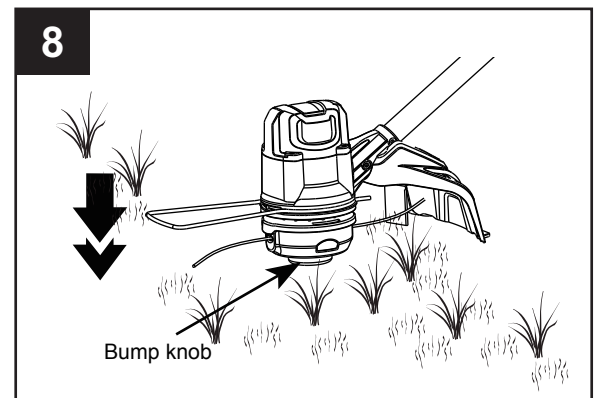
- a. Slide the speed switch (D) to the desired operating speed. Slide the speed switch to position 1 for low speed or position 2 for high speed.
- b. Press the lock-off lever (C). Squeeze the trigger (B) to start.
- c. Release the trigger (B) to stop.

 **CAUTION:** Always allow 5 seconds or more for the cutting line spool to stop rotating after releasing the trigger. Do not invert the grass trimmer/edger or place your hands under the protective guard until the grass trimmer/edger spool has come to a complete stop.



2. Lengthening the line

While the string trimmer is operating, the cutting line gets worn down and becomes shorter. This trimmer is equipped with bump feed line advancement, which advances additional line once the head is bumped on the ground while rotating. The cut-off blade will cut the line to keep an accurate cutting swath.



Trimmer tips

Before each use:

- Make sure the protective guard is tightly installed. If not, tighten the guard screws.
- Before trimming, inspect the area for string, wire, branches or other material that may become entangled in the cutting line and thrown.

Storage tips:

- Do not store the grass trimmer/edger in sunlight, in an excessively warm place, or near a furnace. The battery life will be shortened.

OPERATING INSTRUCTIONS

During use:

- Trim only when the grass and weeds are dry.
- Do not trim grass at night. Always make sure you have adequate lighting.
- Hold the grass trimmer/edger by both the switch handle and the auxiliary handle for best control and balance.
- Stand with the cutting head tipped down at an angle in front, guiding the grass trimmer/edger in a semicircular motion around you.
- If possible, guide the grass trimmer/edger to the left to cut. The line will cut as soon as it leaves the guard, and the clippings are thrown away from you.
- To produce a smoothly trimmed area, move the grass trimmer/edger out of the area being cut with consistent speed and height.
- Use only the tip of the cutting line to do the trimming, especially near walls and fences. Trimming with the side of the cutting line may overload the motor, wear out the line faster, and break the line more often.
- Do not rest the trimmer spool on the ground while trimming. This will cause spool wear and battery drain.
- If the grass is higher than 6 in. (15 cm), trim in small stages.
- When the grass trimmer/edger is turned off and the spool stops rotating, the cutting line will relax and may recede. Feed extra cutting line before storing the trimmer to prevent losing the line completely into the spool.
- If the diameter of the cutting area gets smaller, the line is worn down and needs to be advanced more often.
- If the grass trimmer/edger is not cutting correctly, the cutting line may not be feeding properly. Remove and rewind the line spool.

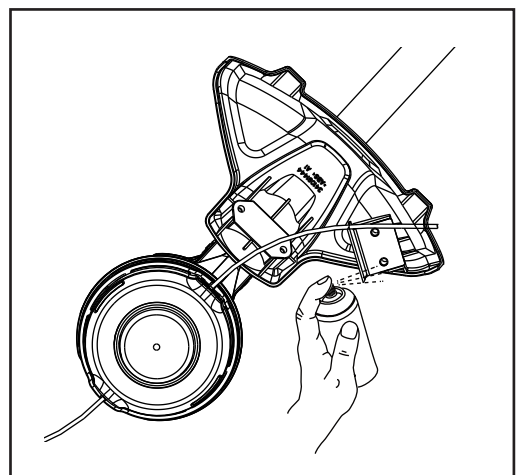
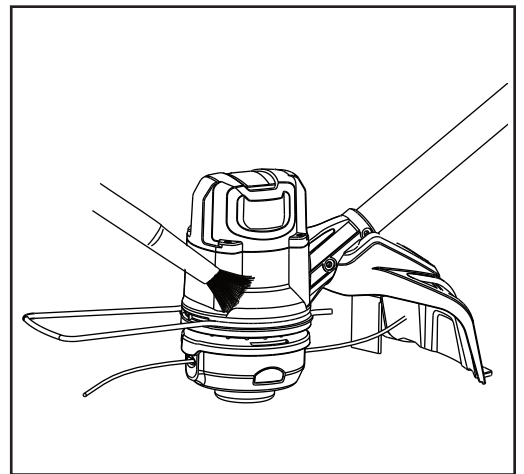
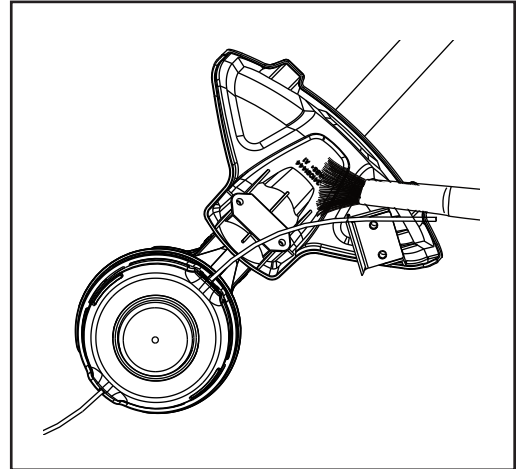


CARE AND MAINTENANCE

Trimmer Guard and Motor Maintenance

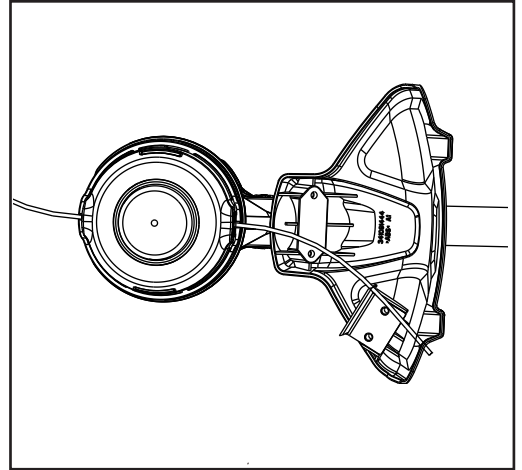
Note: Before performing maintenance, remove battery from the tool.

1. Remove dirt and debris from guard using a paint brush (not included).
2. Clean dirt and debris off of motor cover and connection joints.
3. Clean line cutter blades by using a wire brush and spraying with an appropriate degreaser.



CARE AND MAINTENANCE

- Inspect spool cap and line to ensure that there is an adequate amount of line and that no damage is present on the spool cap.



TROUBLESHOOTING

If you still have questions or an unresolved issue after going through this troubleshooting guide, or just want to speak to a Kobalt product expert, please call our customer service department at 1-888-3KOBALT (1-888-356-2258), 8 a.m. - 8 p.m., EST, Monday – Friday.

PROBLEM	POSSIBLE CAUSE	CORRECTIVE ACTION
Motor fails to start when switch trigger is depressed.	<ol style="list-style-type: none"> Battery is not secure. Battery is not charged. Possible wiring or electrical contact problem. 	<ol style="list-style-type: none"> To secure the battery, make sure the latches on the battery compartment snap into place. Charge the battery according to the instructions included with your model. Call 1-888-3KOBALT (1-888-356-2258) for technical service.
Trimmer smokes during operation.	<ol style="list-style-type: none"> Trimmer damaged. 	<ol style="list-style-type: none"> Do not use the string trimmer.
Trimmer head will not advance line.	<ol style="list-style-type: none"> The motor shaft or trimmer head is bound with grass. Not enough line in the spool. Trimmer head is dirty. Line is tangled on the spool. 	<ol style="list-style-type: none"> Stop the trimmer, remove the battery, and remove any grass. Remove the battery and replace the trimmer line. Reference section "Cutting Line" in this manual. Remove the battery and clean the spool. Remove the battery, remove the line from the spool and rewind.
Line is not cutting well.	<ol style="list-style-type: none"> The cutting blade on the guard has become dull. 	<ol style="list-style-type: none"> Sharpen the cutting blade with a file or replace it with a new blade.

WARRANTY

5-YEAR LIMITED WARRANTY

This Kobalt 40 V String Trimmer is warranted to the original purchaser from the original purchase date for five (5) years subject to the warranty coverage described herein.

This Kobalt 40 V String Trimmer is warranted for the original user to be free from defects in material and workmanship.

If you believe that the Kobalt 40 V String Trimmer is defective at any time during the specified warranty period, simply return the 40 V String Trimmer along with proof of purchase to the place of purchase for a free replacement or refund, or call 1-888-3KOBALT (1-888-356-2258) for warranty service.

This warranty is void if: defects in materials or workmanship or damages result from repairs or alterations which have been made or attempted by others or the unauthorized use of nonconforming parts; the damage is due to normal wear, damage is due to abuse (including overloading of the tool beyond capacity), improper maintenance, neglect or accident; or the damage is due to the use of the tool after partial failure or use with improper accessories or unauthorized repair or alteration.

This warranty excludes spool.

This warranty gives you specific legal rights, and you may also have other rights that vary from state to state.

REPLACEMENT PARTS LIST

For replacement parts, call our customer service department at 1-888-3KOBALT (1-888-356-2258), 8 a.m. - 8 p.m., EST, Monday - Friday.

BB



CC



DD



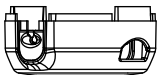
E



H



L



PART	DESCRIPTION	PART #
BB	Fastening knob	341111437AB
CC	Bolt	322041444
DD	Hex wrench	329011444
E	Front/auxiliary handle	341131444
H	Guard	311141444
L	Spool cover	311091429