

Jøtul F 263 / F 263 S

Jøtul F 263 / F 263 S
Manual Version Pog

UK	- Installation and Operating Instructions	3
FR	- Manuel d'installation et d'utilisation	18
ES	- Instrucciones para instalación	33
IT	- Manuale di installazione ed uso	49
NL	- Installatie- en montagehandleiding	65



Jøtul F 263

Jøtul F 263 S



Manualene må oppbevares under hele produktets levetid. The manuals which are enclosed with the product must be kept throughout the product's entire service life. Les manuels fournis avec le produit doivent être conservés pendant toute la durée de vie du produit. Los manuales suministrados con este producto deben guardarse durante todo el ciclo de vida del producto. I manuali inclusi con il prodotto vanno conservati per l'intera durata di vita del prodotto. Das im Lieferumfang des Produkts enthaltene Begleitmaterial ist über die gesamte Nutzungsdauer aufzubewahren. De bij de haard meegeleverde handleidingen moeten gedurende de volledige gebruiksduur van de haard bewaard blijven.



Requirements / Exigences / Requisitos / Requisiti / Vereisten / Forderungen	
Supplier / Fabricante / Fornitore / Vereisten / Lieferant:	Jøtul AS
Product models Produits concernés Modelos Modelli Product modellen Varianten der Feuerstelle	Jøtul F 263 Jøtul F 263 S
Energy efficiency class / Classe énergétique / Clase de eficiencia energética / Classe energetica / Energie efficiency klasse / Energieeffizienz-Klasse	A+
Direct heat output / Puissance réelle de sortie / Potencia calorífica emitida / Emissione di calore diretta / Directe warmte afgifte / Nennwärmeleistung	5,9 kW
Energy efficiency index / Index de rendement énergétique / Índice de eficiencia energética / Indice di efficienza energetica / Energie efficiency index / Energieeffizienz-Index	109,9
Efficiency at nominal heat output / Rendement à puissance nominale / Eficiencia al rendimiento nominal / Efficienza alla potenza nominale / Efficiency bij nominale warmte afgifte / Wirkungsgrad bei Nennheizleistung	82 %
<ul style="list-style-type: none"> • Any specific precautions that shall be taken when the local space heater is assembled installed or maintained. • Toutes les précautions spécifiques doivent être prises lors de l'assemblage, l'installation ou l'entretien de l'appareil. • Cualquier precaución específica que deba tenerse en cuenta durante el montaje, instalación o mantenimiento del equipo de calefacción • Precauzioni specifiche da prendere quando il riscaldatore viene assemblato, installato o mantenuto in uno spazio. • Eventuele specifieke voorzorgsmaatregelen die worden genomen wanneer de plaatselijke ruimteverwarming wordt gemonteerd, geïnstalleerd of onderhouden. • Besondere Maßnahmen bei Montierung, Installation und Wartung. 	<ul style="list-style-type: none"> • Fire safety precautions such as safety distances when installing, national standards, local codes and regulations. See the Instructions manual. • Les précautions d'incendie telles que les distances de sécurité lors de l'installation, le suivi des normes, les codes locaux et les réglementations nationales. Veuillez lire le manuel d'installation. • Precauciones frente a incendios como distancia de seguridad en la instalación, estándares nacionales, códigos locales y reglamentos. Lea el manual de instalación. • Precauzioni per la sicurezza antincendio come le distanze di sicurezza durante l'installazione, le normative nazionali e locali. Leggere il manual. • Brandveiligheidsmaatregelen, zoals veiligheidsafstanden bij installatie, nationale normen, lokale codes en voorschriften. Lees de installatiehandleiding. • Für brenntechnische Verhältnisse, wie z.B. Aufstellbedingungen und nationale Forderungen. Siehe die Montage- und Bedienungsanleitung.

Table of contents

Installation manual with technical data

1.0	Relationship to the authorities	3
2.0	Technical data	3
3.0	Safety	5
4.0	Installation	6
5.0	Daily use	12
6.0	Service.....	14
7.0	Maintenance	16
8.0	Operational problems - troubleshooting....	16
9.0	Optional Equipment	16
10.0	Recycling.....	17
11.0	Guarantee terms	17

Register your fireplace at www.jotul.com for a 25-year warranty.

Product: Jøtul Room heater fired by solid fuel				CE
Standard Minimum distance to adjacent combustible materials:				
Emission of CO in combustion products:				
Flue gas temperature:				
Nominal heat output:				
Efficiency:				
Operational range:				
Fuel type:				
Operational type:				
The appliance can be used in a shared flue.				
Country	Classification	Certificate/standard	Approved by	
Norway	Klasse II			
Sweden	etc.	SP	SP-Sveriges Provnings- och Forskningsinstitut AB	
EUR	Intermittent	EN	SP-Svecon National Testing and Research Institute	
Follow user's instructions. Use only recommended fuels. Montage- und Bedienungsanleitung beachten. Verwenden Sie nur empfohlenen Brennstoffen. Respectez les consignes d'utilisation. Utilisez uniquement les combustibles recommandés.				
Serial no. Y-xxxx. Year. 200x				
Manufacturer: Jøtul AS POB 1 441 N-1622 Fredrikstad Norway			221546	

On all our products there is a label indicating the serial number and year. Write this number in the place indicated in the installation instructions.

Always quote this serial number when contacting your retailer or Jøtul.

Serial no.

1.0 Relationship to the authorities

Installation of a fireplace must be according to local codes and regulations in each country.

All local regulations, including those that refer to national and European standards, shall be complied with when installing the product.

Before use read the Installation and Operating Instructions carefully. Prior to using the product the installation must be inspected by a qualified person.

A name plate of heat-resistant material is affixed to the product on the inside of the base. This contains information about identification and documentation for the product.

2.0 Technical data

Material:	Cast iron
Finish:	Black paint
Fuel:	Wood
Log length, max:	33 cm
Flue outlet:	Top/rear
Flue pipe dimension:	Ø150 mm
Weight:	approx 140 kg
Weight, soapstone set:	approx 80 kg
Weight, steel sides:	approx 20 kg
Weight, soapstone top (Optional equipment):	approx 20 kg
Optional equipment:	Soapstone top - complete, Steelplate sides - complete, soapstone set - complete, fan, fireplace set.
Dimensions, distances:	See fig. 1a

Technical data according to EN 13240

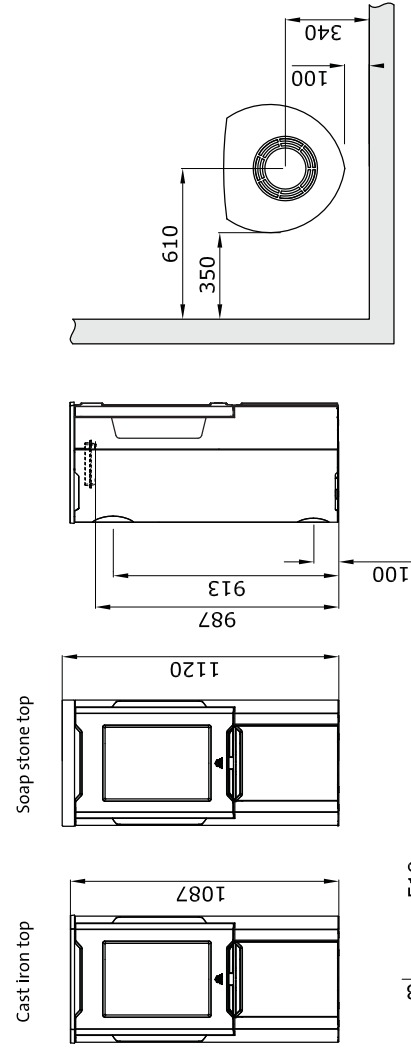
Nominal heat output:	5 kW
Flue gas mass flow:	5,0 g/s
Recommended chimney draught:	12 Pa
Efficiency:	82%@5,9 kW
CO emission (13% O ₂):	0,10%
CO emission (13% O ₂):	1242 mg/Nm ³
Flue gas temperature:	260° C
Operational type:	Intermittent

Intermittent combustion is here taken to mean normal use of a fireplace. I.e. that a new flame chamber is lit as soon as the fuel has burnt down to the appropriate quantity of embers.

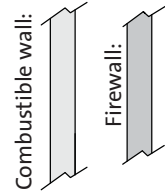
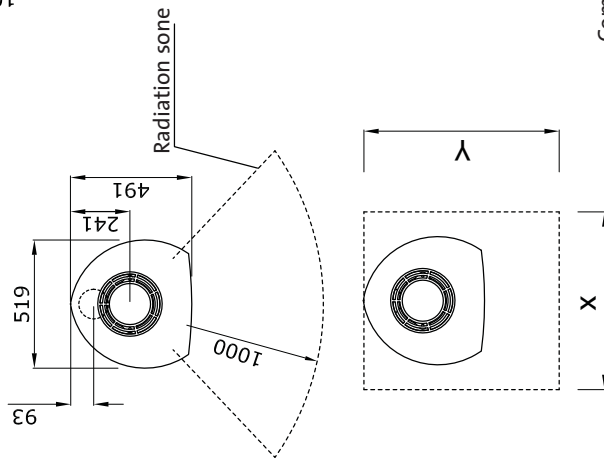
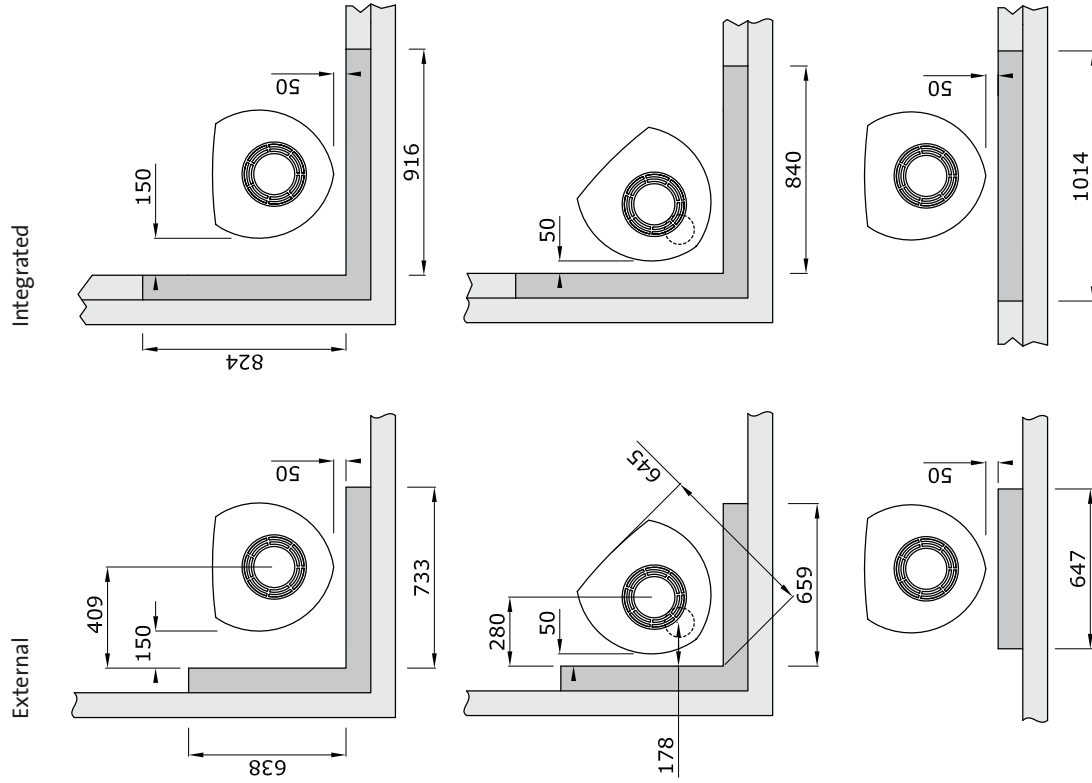
Jøtul F 263

Fig. 1

Min. distance to combustible wall:



Min. distance to combustible wall protected by firewall:



Min. measurements floor plate X,Y =
According to national standards
and regulations. See chapter 4.1

Fresh air supply

The air used for combustion in any well-insulated house needs to be replaced. This is particularly important in houses with mechanical ventilation. Such replacement air can be procured in several ways. The most important thing is to supply the air to the room where the stove is placed. Place the outside wall valve as close to the stove as possible and make sure that it can be closed when the stove is not in use.

For the fresh air supply connection, follow the national and local building regulations.

Important! Ensure that air vents in the room where the fireplace is located are not blocked.

Closed combustion system

Use the stove's closed combustion system if you live in recently built, airtight dwellings. Connect the external combustion air through a ventilation pipe through the wall or the floor.

Air supply

The amount of combustion air for Jøtul's products is approximately 20-40 m³/h. The outside air connection may be fitted directly to the product through:

- Through a flexible supply hose from the outside/chimney (only if the chimney has its own duct for external air) and to the product's outside air connector.

Fig. 2a, through an outside wall

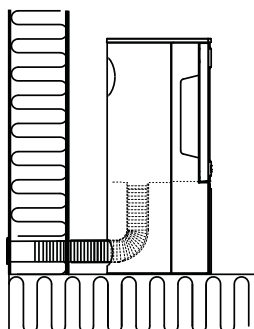


Fig. 2b, through the floor and ground plate

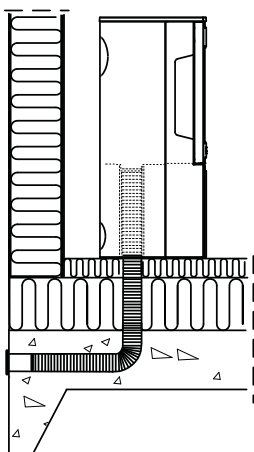


Fig. 2c, through the floor and basement

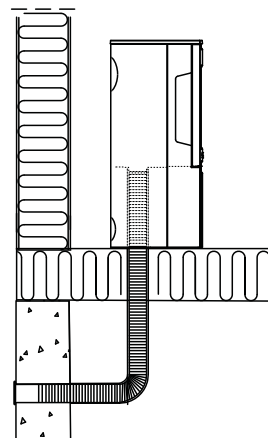
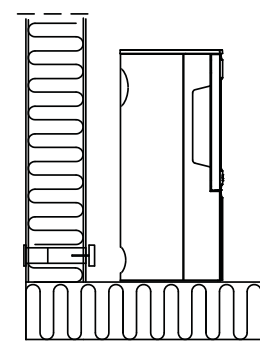


Fig. 2d, indirectly through an outside wall



3.0 Safety

NB! To guarantee optimal performance and safety, Jøtul stoves must be fitted by a qualified installer.

Any modifications to the product by the distributor, installer or consumer may result in the product and safety features not functioning as intended. The same applies to the installation of accessories or optional extras not supplied by Jøtul. This may also be the case if parts that are essential to the functioning and safety of the fireplace have been disassembled or removed.

In all these cases, the manufacturer is not responsible or liable for the product and the right to make a complaint becomes null and void.

The Clean Air Act

“The Clean Air Act 1993 and Smoke Control Areas”

Under the Clean Air Act local authorities may declare the whole or part of the district of the authority to be a smoke control area. It is an offence to emit smoke from a chimney of a building, from a furnace or from any fixed boiler if located in a designated smoke control area. It is also an offence to acquire an “unauthorised fuel” for use within a smoke control area unless it is used in an “exempt” appliance (“exempted” from the controls which generally apply in the smoke control area).

In England appliances are exempted by publication on a list by the Secretary of State in accordance with changes made to sections 20 and 21 of the Clean Air Act 1993 by section 15 of the Deregulation Act 2015. Similarly in Scotland appliances are exempted by publication on a list by Scottish Ministers under section 50 of the Regulatory Reform (Scotland) Act 2014.

ENGLISH

In Northern Ireland appliances are exempted by publication on a list by the Department of Agriculture, Environment and Rural Affairs under Section 16 of the Environmental Better regulation Act (Northern Ireland) 2016.

In Wales appliances are exempted by regulations made by Welsh Ministers.

Further information on the requirements of the Clean Air Act can be found here: <https://www.gov.uk/smoke-control-area-rules>

Your local authority is responsible for implementing the Clean Air Act 1993 including designation and supervision of smoke control areas and you can contact them for details of Clean Air Act requirements.

The Jøtul F 263 and Jøtul F 263 S have been recommended as suitable for use in smoke control areas when burning wood logs.

3.1 Fire Prevention Measures

There is a certain element of danger every time you use your fireplace. The following instructions must therefore be followed:

- The minimum safety distances when installing and using the fireplace are given in **fig. 1a**. The specified distance to flammable materials, applies to this stove. The stove must be installed with a CE approved flue. The distance of the flue pipe to combustible materials must also be observed.
- Ensure that furniture and other flammable materials are not too close to the fireplace. Flammable materials should not be placed within 1 meter in front of the fireplace.
- Allow the fire to burn out. Never extinguish the flames with water.
- The fireplace becomes hot when lit and may cause burns if touched.
- Only remove ash when the fireplace is cold. Ash can contain hot embers and should therefore be placed in a non-flammable container.
- Ash should be placed outdoors or be emptied in a place where it will not present a potential fire hazard.

In case of chimney fire:

- Close all hatches and vents.
- Keep the firebox door closed.
- Check the loft and cellar for smoke.
- Call the fire service.
- Before use after a fire an expert must check the fireplace and the chimney in order to ensure that it is fully functional.

3.2 Floor

Foundations

Ensure that the floor is strong enough for the fireplace. See «**2.0 Technical data**» for weights. It is recommended that flooring which is not fastened to the foundations – so-called floating flooring – is removed during installation.

Combustible floor protection

The product has integrated floor protection and may therefore be placed directly on a wooden floor.

Jøtul recommends that any flooring made of combustible material, such as linoleum, carpets, etc. should be removed from under the floor plate.

Requirements for protection of inflammable floors in front of the fireplace

The plate must be in accordance with national laws and regulations.

Contact your local building authority regarding restrictions and installation requirements.

3.3 Walls (fig. 1a)

Distance to wall made of combustible material

Distance to wall with insulated flue pipe: See **fig. 1a**.

Distance to walls covered by a firewall

Contact your local building authority regarding restrictions and installation requirements.

Firewall requirement

The firewall must be at least **100 mm** thick and be made of brick, concrete-stone or light concrete. Other materials and constructions with satisfactory documentation may also be used.

Distance to non combustible walls

By non combustible one means a non load-bearing wall of solid brickwork/concrete.

Contact your local building authority regarding restrictions and installation requirements.

3.4 Ceiling

If the ceiling above the fireplace is made of a combustible material, the minimum distance between the fireplace and ceiling must be **1000 mm**.

4.0 Installation

The product is delivered in at least 2 packing cases.

Check that the fireplace is free of any damage prior to commencing installation.

The product is heavy! Make sure you have assistance when erecting and installing the fireplace.

Make sure that furniture and other household items are not so close as to get dried up by the stove. Painted surfaces may also be discoloured.

4.1 Chimneys and flue pipes

- The fireplace can be connected to a chimney and flue pipe approved for solid fuel fired appliances with flue gas temperatures specified in «**2.0 Technical data**».
- The chimney's cross-section must be at least as big as the flue pipe's cross-section. See «**2.0 Technical data**» when calculating the correct chimney cross-section.
- Several solid fuel fired appliances can be connected to the same chimney if the chimney's cross-section is sufficient. Contact your local building authority regarding restrictions and installation requirements.
- Before making a hole in the chimney the fireplace should be test-mounted in order to correctly mark the position of the fireplace and the hole in the chimney. See **fig. 1** for minimum dimensions.
- Connection to the chimney must be carried out in accordance with the installation instructions from the supplier of the chimney.
- Ensure that the flue pipe is inclined all the way up to the chimney.
- Use a flue pipe bend with a sweeping hatch that allows it to be swept.

Be aware of the fact that it is particularly important that connections have a certain flexibility in order to prevent movement in the installation leading to cracks. **A correct and sealed connection is very important for the proper functioning of the product.**
Chimney draught; See «2.0 Technical data». If the draught is too strong you can install and operate a flue damper to control the draught.

4.2 Selfclosing doormechanism

The product is delivered with a selfclosing doormechanism. If wanted this can be removed.

Fig. 3

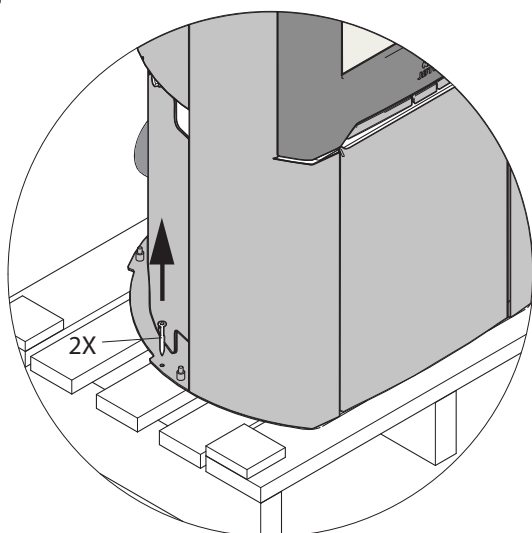
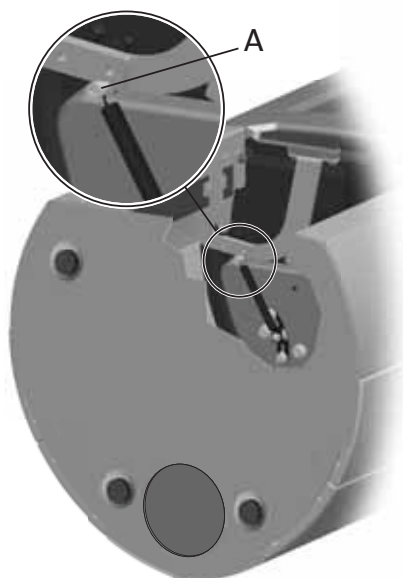


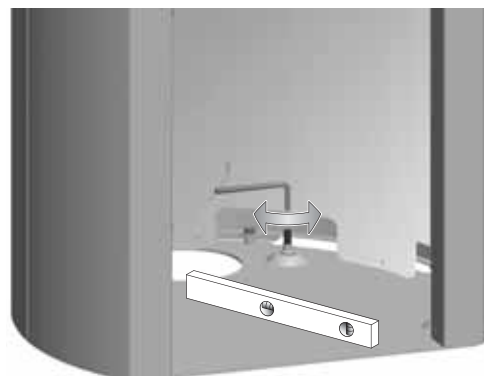
Fig. 3a



1. Unscrew the screw and nut (Fig. 3 A).
2. Unhook and remove the spring.

4.3 Leveling the fireplace

Fig. 3b



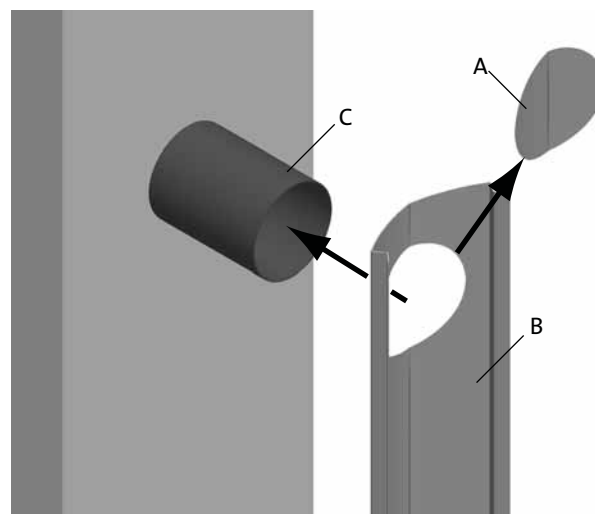
4.4 Fitting the flue pipe with the rear outlet

The product is supplied from the factory with the smoke outlet fitted for the top outlet.

NB! Proceed as follows for installation with a rear outlet:

Fig. 4

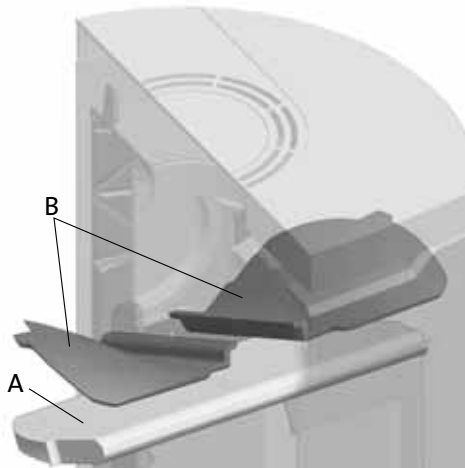
When installing with soapstone side panels, the rear plate (Fig. 4 B) has to be prepared before the product is placed on its final position.



1. Knock out the removable cover plate (Fig. 4 A) in the rear plate (Fig. 4 B).
2. Hang the rear plate gently on the flue pipe (Fig. 4 C).
3. Place the product in the correct position. (See Fig. 1a).

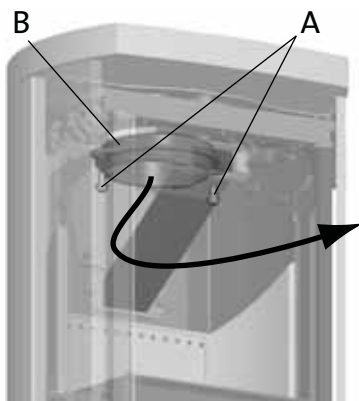
ENGLISH

Fig. 5



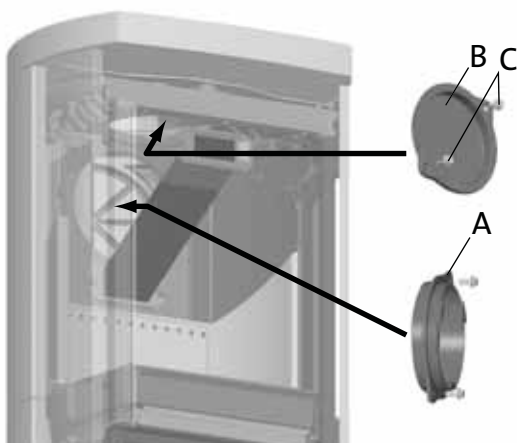
1. Lift the baffle (Fig. 5 A) up carefully.
2. Remove one of the side burn plates by lifting them up a little and then out. (Be aware if using tools, that vermiculite plates may be damaged by rough handling).
3. Remove the baffle.
4. Remove the other side burn plate.
5. Remove the exhaust deflectors (Fig. 5 B).

Fig. 6



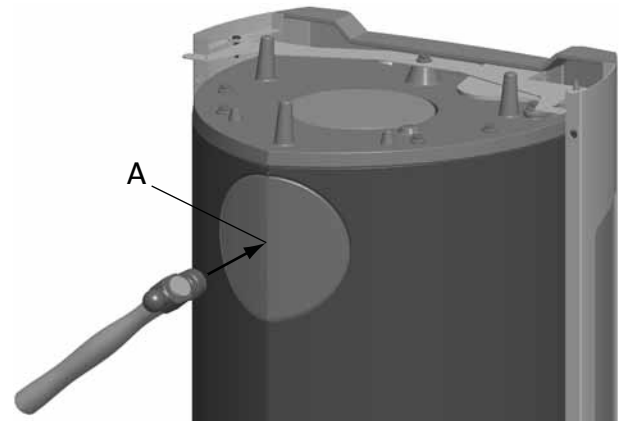
1. Unscrew the screws (Fig. 6 A) and remove the smoke outlet (Fig. 6 B) from the inside of the burn chamber.

Fig. 7



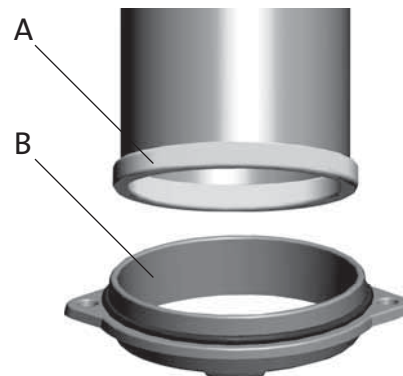
1. Unscrew the screws (Fig. 7 C) and remove the cover (Fig. 7 B) from the rear outlet from the inside of the burn chamber.

Fig 8



1. Knock out the removable covers (Fig. 8 A).
2. Attach the smoke outlet (Fig. 7 A) on the inside of the burn chamber where the cover was.
3. Install the cover (Fig. 7 B) where the smoke outlet was.
4. Refit the exhaust deflectors (Fig. 5 B) and the baffle plate (Fig. 5 A).

Fig. 9

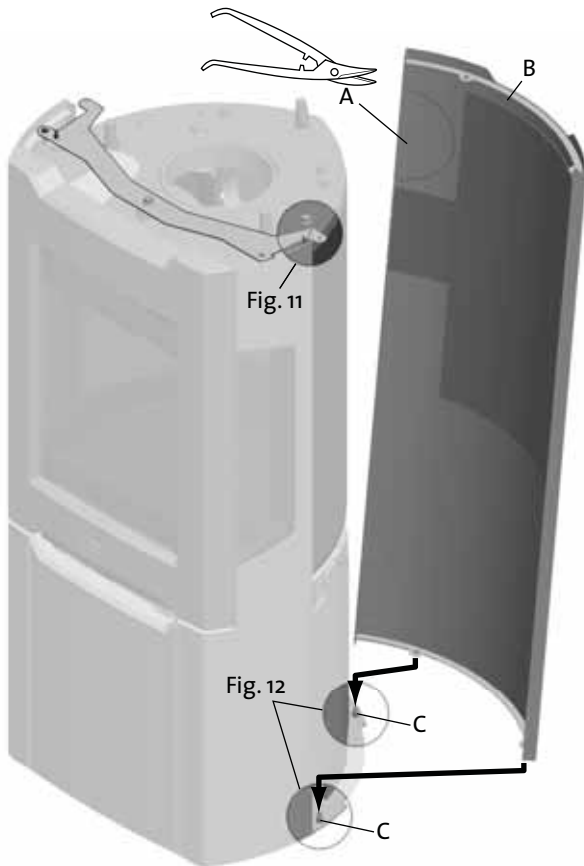


1. Place the gasket (Fig. 9 A) from the bag of screws around the edge of the flue pipe and push it into the smoke outlet (Fig. 9 B).

4.5 Mounting side panels

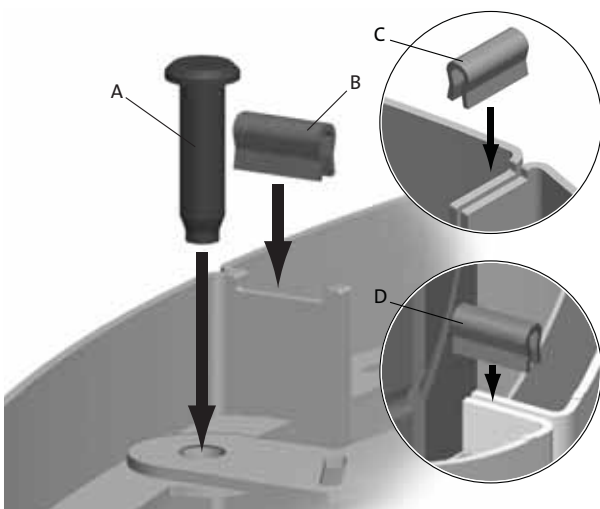
Steel side panels

Fig. 10



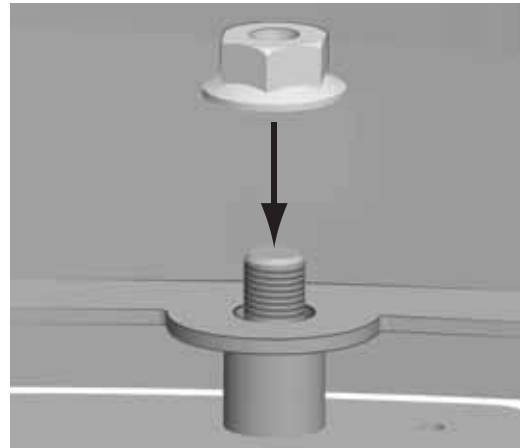
1. **If rear outlet:** Use proper tool to remove the cover plate (Fig. 10 A) in the side panel (Fig. 10 B).
2. Lift the side panel and lower it over the bolts (Fig. 10 C and Fig. 12).
3. Mount the other steel side panel the same way.

Fig. 11



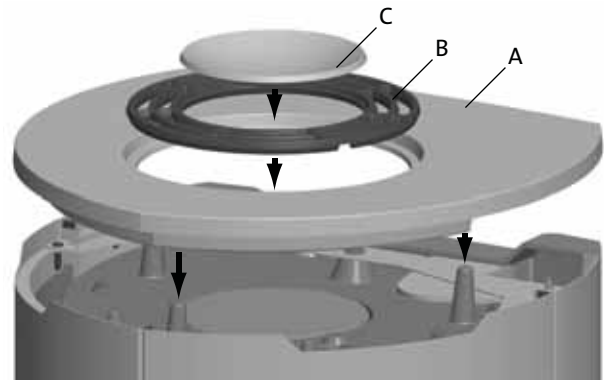
1. Mount the pins (Fig. 11 A) and the clips (Fig. 11 B).
2. Join the two side panels together using a clip (Fig. 11 C).
3. **If rear outlet:** Mount an extra clip in the lower part of the opening (Fig. 11 D).

Fig. 12



1. Mount the nuts from inside of the base.

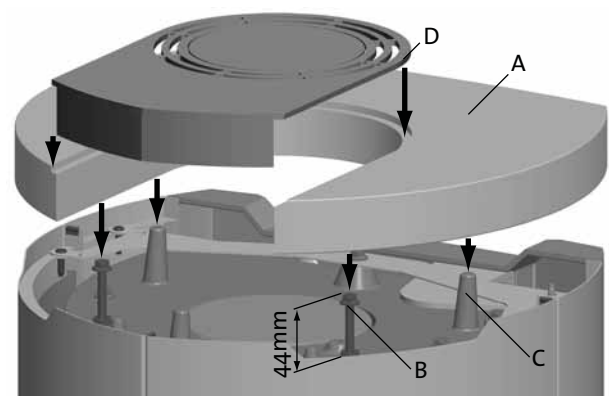
Fig. 13



1. Place the top plate (Fig. 13 A), air grate (Fig. 13 B) and bowl (Fig. 13 C).

If soapstone top:

Fig. 14



1. Replace the screws with bolt and nut (fig. 14 B) provided.
2. Place the soapstone top (Fig. 14 A) on the screws (Fig. 14 B) and the guiding warts (Fig. 14 C).
3. Adjust the screws (Fig. 14 B) until the soapstone top is level.
4. Place the steel cover (Fig. 14 D).

ENGLISH

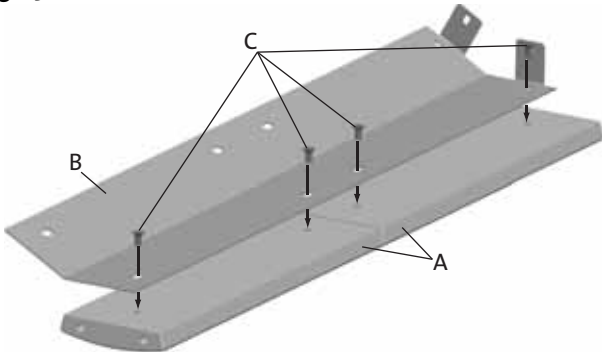
Soapstone side panels

Important!

Bear in mind that the stones may be damaged if they are handled roughly. Installation should be carried out by a qualified person.

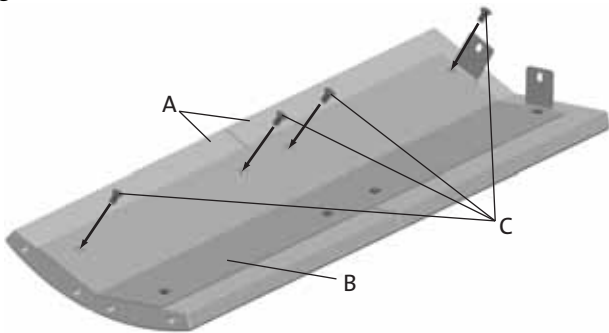
With rear smoke outlet the rear plate has to be prepared as shown in figure 4.

Fig. 15



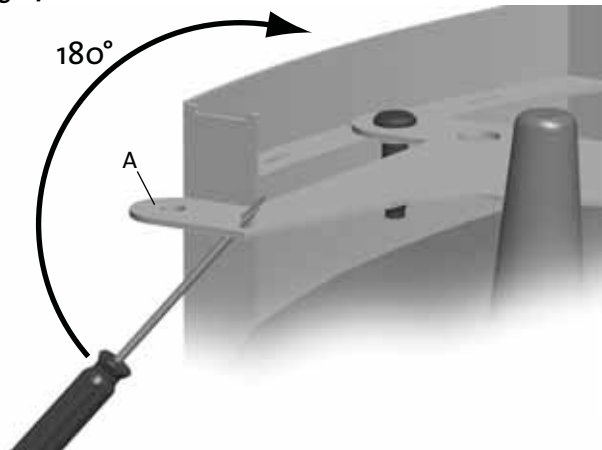
1. Place 2 soapstones (Fig. 15 A) carefully on the floor.
2. Mount the bracket (Fig. 15 B) with 4 screws (Fig. 15 C). Do not tighten the screws yet.

Fig. 16



3. Mount the next 2 soapstones (Fig. 16 A) to the bracket (Fig. 16 B) with 4 screws (Fig. 16 C). Do not tighten the screws yet.

Fig. 17

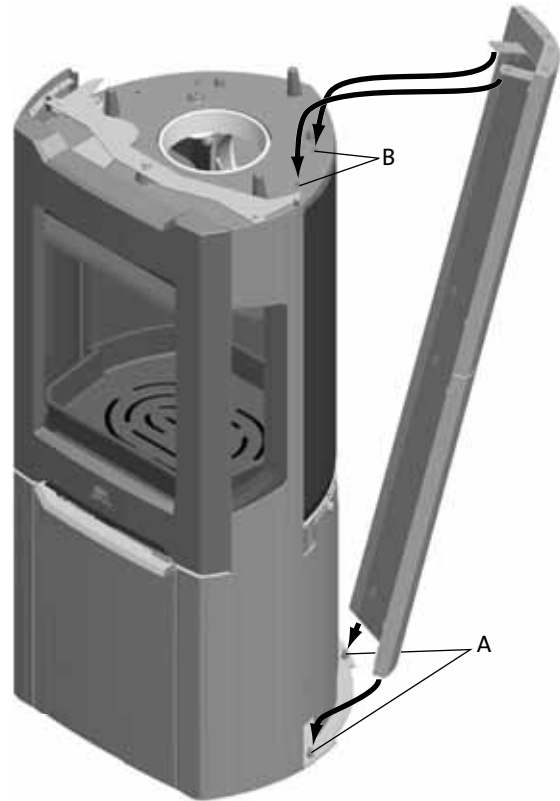


1. Bend up the outer part (Fig. 17 A) of the bracket.

If rear smoke outlet:

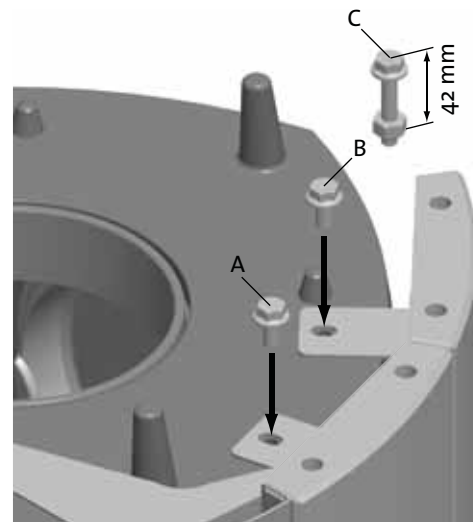
Place the rear plate (Fig. 4 B) and mount it temporarily as shown in figure 21.

Fig. 18



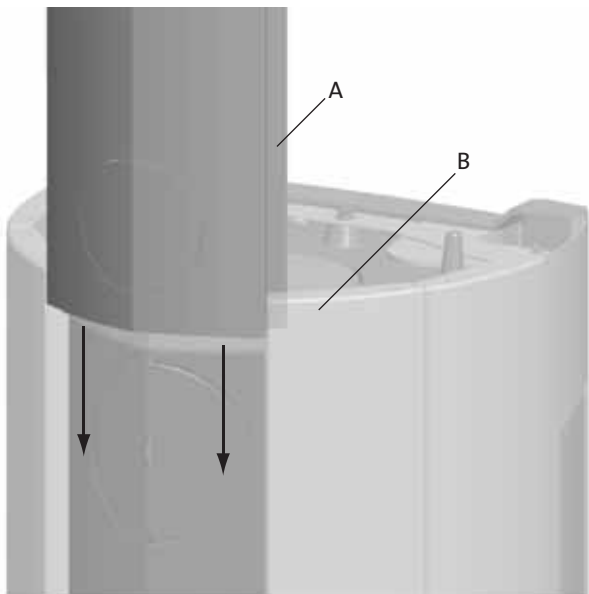
1. Carefully raise the soapstone side panel.
2. Adjust the position of the soapstone and tighten the screws.
3. Lift the soapstone panel and carefully lower it over the bolts (Fig. 18 A).
4. Then push the upper section of the soapstone side panel on to the burn chamber (Fig. 18 B).

Fig. 19



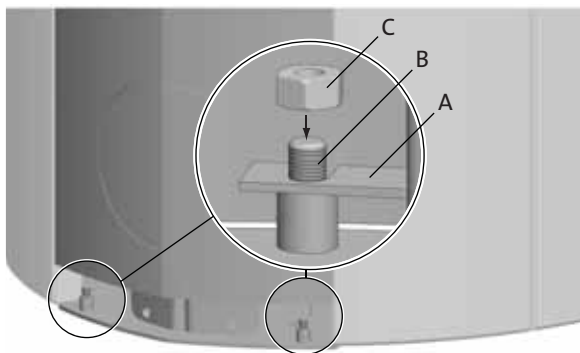
1. Mount the soapstone side panel to the burn chamber with the screws (Fig. 19 A and B).
2. If soapstone top: Replace the screws (Fig. 19 B) with the bolts and nuts (Fig. 19 C) provided.
3. Mount the other soapstone side panel the same way.

Fig. 20



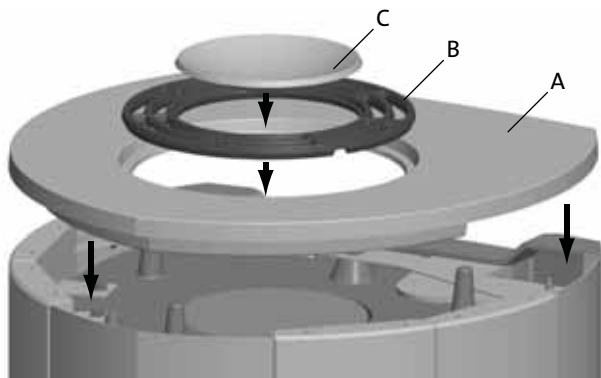
1. Lift the rear plate (Fig. 20 A) and slide it down between the soapstone side panels (Fig. 20 B).

Fig. 21



1. Lower the rear plate (Fig. 21 A) onto the bolts (Fig. 21 B).
2. Mount nuts from inside of the base (Fig. 21 C).

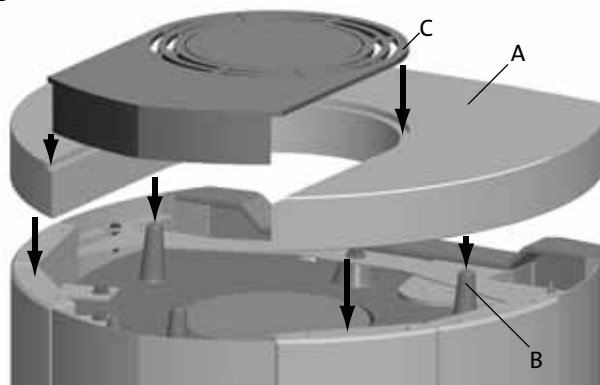
Fig. 22



1. Place the top plate (Fig. 22 A), air grate (Fig. 22 B) and bowl (Fig. 22 C).

If soapstone top:

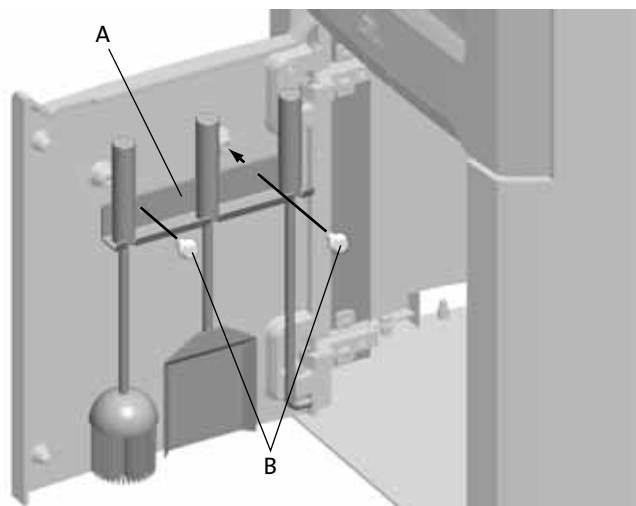
Fig. 23



1. Place the soapstone top (Fig. 23 A) on the guiding warts (Fig. 23 B).
2. Place the steel cover (Fig. 23 C).

4.6 Mounting the fireplace set (optional equipment)

Fig. 24



3. Mount the bracket (Fig. 24 A) to the door with the screws (Fig. 24 B).

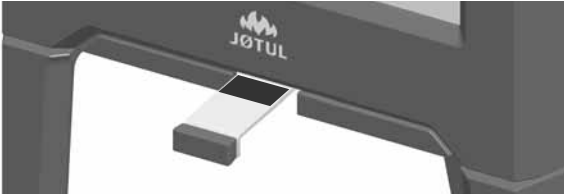
ENGLISH

4.7 Control of functions

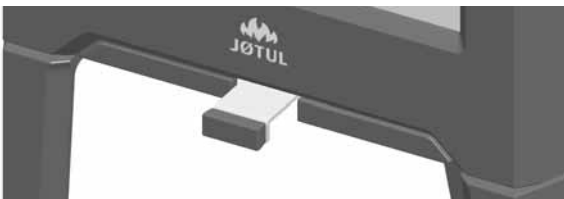
When the product is set up, always check the control functions. These shall move easily and function satisfactorily.

The product is equipped with one handle. This handle controls both the ignition vent and the air vent.

- Pulled out completely (the label visible): Ignition.



- Pushed in (the label not visible): Air vent.



5.0 Daily use

Odours when using the fireplace for the first time

When the fireplace is used for the first time, it may emit an irritating gas which may smell slightly. This happens because the paint dries. The gas is not toxic but the room should be thoroughly ventilated. Let the fire burn with a high draught until all traces of the gas have disappeared and no smoke or odours can be detected.

5.1 Operation

Heating advice

NB: Logs that have been stored outdoors or in a cold room should be brought indoors 24 hours before use to bring them up to room temperature.

There are various ways of heating the stove but it is always important to be careful about what you put in the stove. See the section on “Wood quality”.

Wood quality

By quality wood we mean most well-known types of wood such as birch, spruce and pine.

The logs should be dried so that the moisture content is no more than 20%.

To achieve this, the logs should be cut during the late winter. They should be split and stacked in a way that ensures good ventilation. The wood stacks should be covered to protect the logs from rain. The logs should be brought indoors during early autumn and stacked/stored for use in the coming winter.

Be especially careful never to use the following materials as fuel in your fireplace:

- Household rubbish, plastic bags, etc.
- Painted or impregnated timber (which is extremely toxic).
- Laminated wooden planks.
- Driftwood

These may harm the product and are also pollutants.

NB: Never use petrol, paraffin, methylated spirit or similar liquids to light the fire. You may cause serious injury to yourself and damage to the product.

Wood consumption

Use of wood, with nominal heat emission: Approx. **1,6 kg/h**. Another important factor for proper fuel consumption is that the logs are the correct size. The size of the logs should be:

Kindling:

Length: 23-33 cm

Diameter: 2 - 5 cm

Amount per fire: 6 - 8 pieces

Daily use

Firewood (split logs):

Length: 23 - 33 cm

Diameter: Approx. 8 cm

Intervals for adding wood: Approximately every 45 minutes

Size of the fire: 1,2 kg

Amount per load: 2 pieces

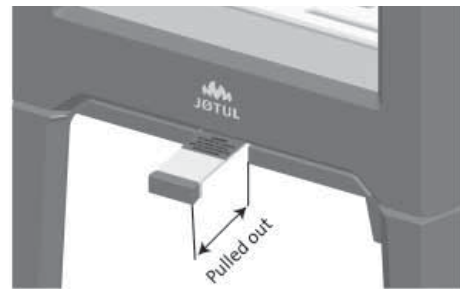
Nominal heat emission is achieved when the air vent is open approximately 57 %.

Maximum use

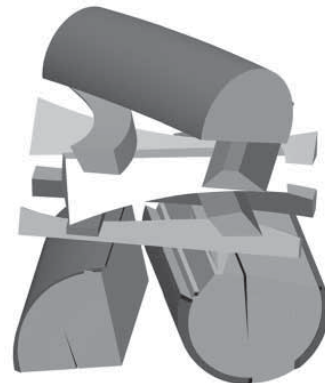
Maximum load: 2,9 kg/h (maximum 3 pieces/2,2 kg per load).

Ignition

Fig. 25



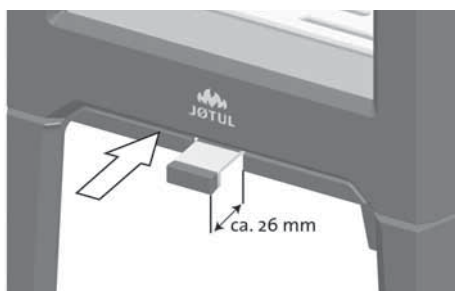
- Open the ignition vent and air vent by pulling the handle all the way out. (Use a glove or something similar to protect your hand in case the handles are hot.)



- Place two logs at the bottom of the burn chamber and pile the kindling in layers.
- Finally, place a medium-sized log on the top of the pile.
- Place 2 or 3 briquettes or kindling sticks under the top layer of kindling and light the fire.

Heating

Fig. 26



- Leave the ignition-/air vent 24 mm (Fig. 26) open when the wood has caught fire properly and is burning well.
- Close the door.
- You can then regulate the rate of combustion to give the heat you want by adjusting the air vent.
- Check that the afterburning (secondary combustion) starts. This is best indicated by yellow, flickering flames in front of the holes under the baffle.

Adding firewood

Stoke the stove frequently but only add small amounts of fuel at a time. If the stove is filled too full, the heat created may cause extreme stress in the chimney. Add fuel to the fire in moderation. Avoid smouldering fires as this produces the most pollution. The fire is best when it is burning well and the smoke from the chimney is almost invisible.

- **Refuelling on to a low fire bed:** If there is insufficient burning material in the firebed to light a new fuel charge, excessive smoke emission can occur. Refilling must be carried out onto a sufficient quantity of glowing embers and ash that new fuel charge will ignite in a reasonable period. If there are too few embers in the fire bed, add suitable kindling to prevent excessive smoke.
- **Fuel overloading:** The maximum amount of fuel specified in this manual should not be exceeded, overloading can cause excess smoke
- **Operating with door left open:** Operation with the door open can cause excess smoke. This appliance must not be operated with the appliance door left open except as directed in the instructions.
- **Dampers left open:** Operation with the air controls or appliance dampers can cause excess smoke. The appliance must not be operated with air controls, appliance dampers or door left open except as directed in the instructions.

5.2 Danger of overheating

The fireplace must never be used in a manner that causes overheating

Overheating occurs when there is too much fuel and/or too much air so that too much heat develops. A sure sign of overheating is when parts of the fireplace glow red. If this happens, reduce the air vent opening immediately.

Seek professional advice if you suspect that the chimney is not drawing properly (too much/too little draught). For further information, see «4.0 Installation» (Chimney and flue pipe).

5.3 Ash removal

The product have an ash pan which makes it easy to remove the ash.

Use the fireplace set (Fig. 24).

Warning: The fireplace set can get hot.

Fig. 27



1. Scrape the ash through the grate (Fig. 27 A) in the base plate and into the ash pan. Use a glove to grab the handle on the ash pan.
2. Make sure that the ash pan doesn't fill up so high that it keeps ash from coming through the grate into the pan.

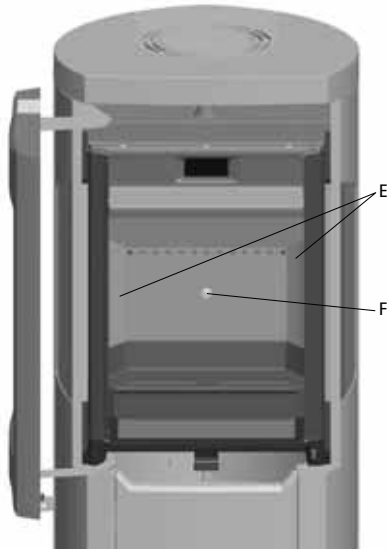
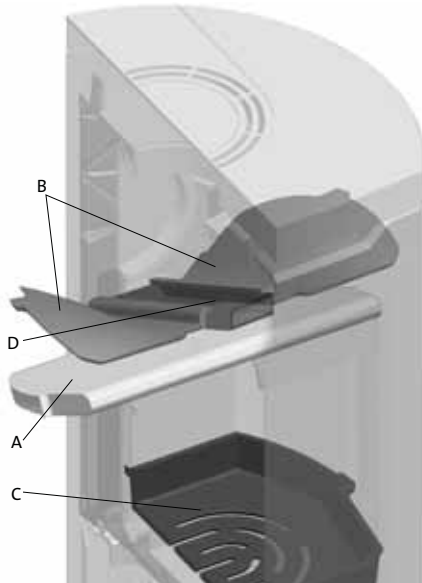
6.0 Service

Warning! Any unauthorised change to the product is not allowed. Only use original spare parts.

All service must be done when the stove is cold!

6.1 Changing the burn plates/inner bottom plate

Fig.28



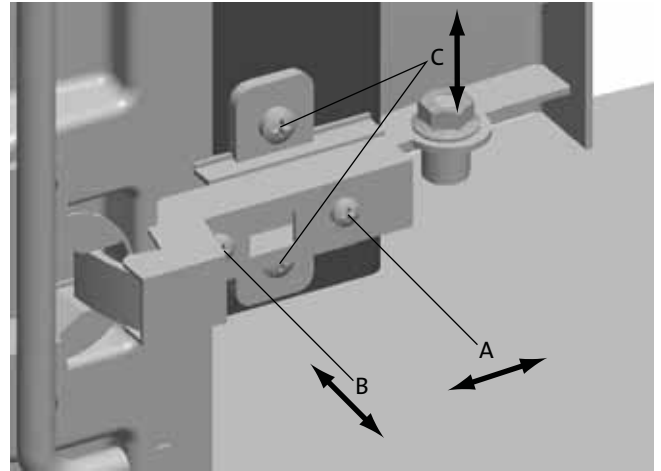
1. Lift the baffle (Fig. 28 A) up carefully.
2. Remove one of the side burn plates (Fig. 28 E) by lifting them up a little and then out. (Be aware if using tools, that vermiculite plates may be damaged by rough handling).
3. Remove the baffle.
4. Remove the other side burn plate.
5. Unscrew the M8x25 mm screw on the rear burn plate (Fig. 28 F) and remove the burn plate.
6. Then lift up and remove the inner bottom plate (Fig. 28 C). Follow the same procedure for installation, but in the opposite sequence.

6.2 Changing the baffle / deflectors

- Follow step 1 -3 under Fig. 28.
 - Access is then easy to the smoke deflectors (Fig. 28 B) if they need to be removed. They are situated on 1 knob on the side and on the air manifold (fig. 28 D).
 - Edge them down and remove them through the door.
- For re-installation follow the same procedure in the opposite sequence.

6.3 Adjusting the base door

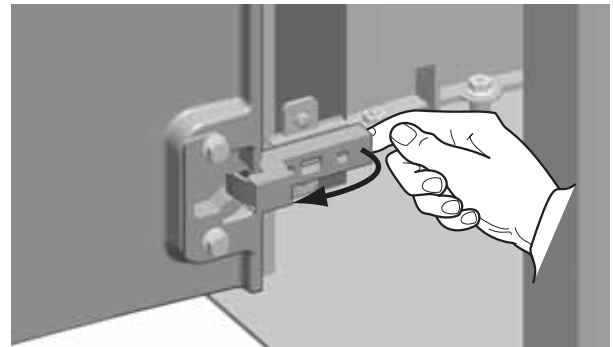
Fig. 29



6.4 Changing the glass in the side panels

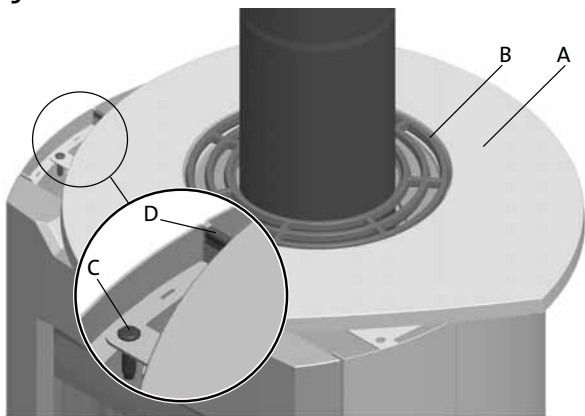
If needed the glass in the side panel can be replaced.

Fig. 30



1. Remove the base door by pressing against the rear of the hinge.

Fig. 31



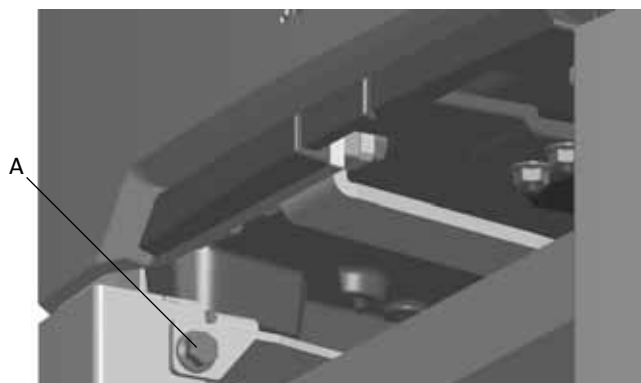
If rear smoke outlet:

1. Gently lift the top plate (Fig. 31 A), top grid (Fig. 31 B) and the bowl.
2. Remove the pin (Fig. 31 C) and the clip (Fig. 31 D).

If top smoke outlet:

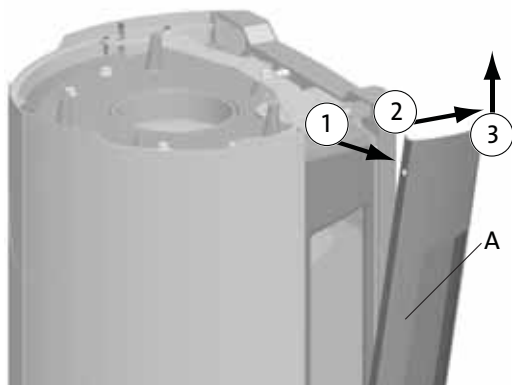
1. Gently lift the top plate (Fig. 31 A) and top grid (Fig. 31 B).
2. Turn the top plate and top grid approx. 60°.
3. Let the top plate and top grid rest on the stove.
4. Remove the pin (Fig. 31 C) and the clip (Fig. 31 D).

Fig. 32



1. Remove the screw (fig. 32 A) on the inside of the base.

Fig. 33



1. Pull the side panel out (fig. 33 A).
2. Tilt the side panel gently to the front.
3. Lift the side panel up.
4. Replace glass and gasket.

For re-installation follow the same procedure in the opposite sequence.

6.5 Re-installation of the base door

Fig. 34

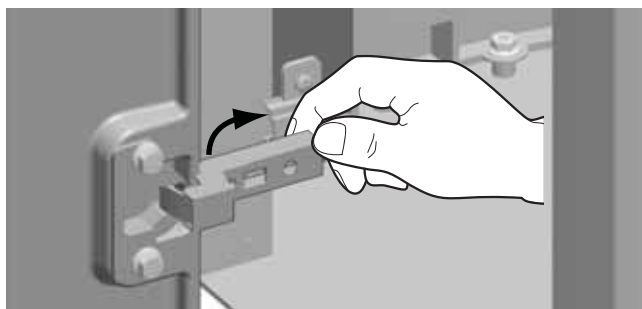
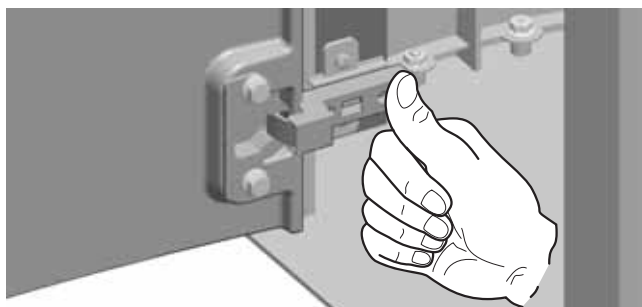


Fig. 35



If adjusting is needed - see figure 29.

7.0 Maintenance

All maintenance must be done when the stove is cold!

7.1 Cleaning and soot removal

Soot deposits may build up on the internal surfaces of the fireplace during use. Soot is a good insulator and will therefore reduce the fireplace's heat output. If soot deposits accumulate when using the product, they can easily be removed by using a soot remover.

In order to prevent a water and tar layer from forming in the fireplace, you should regularly allow the fire to burn hot in order to remove the layer. An annual internal cleaning is necessary to get the best heating effect from your product. It is a good idea to do this when cleaning the chimney and flue pipes.

7.2 Sweeping flue pipes to the chimney

Flue pipes must be swept through the flue pipe sweeping hatch or through the door opening.

One of the baffles will have to be removed first in order to do this.

7.3 Inspection of the fireplace

Jøtul recommends that you carefully inspect your fireplace yourself after it has been swept/cleaned. Check all visible surfaces for cracks. Also check that all joints are sealed and that the gaskets are in the correct position. Any gaskets showing signs of wear or deformation must be replaced.

Thoroughly clean the gasket grooves, apply ceramic glue (available from your local Jøtul dealer) and press the gasket well into place. The joint will dry quickly.

7.4 Exterior maintenance

Painted products may change colour after several years' usage. The surface should be cleaned and brushed free of any loose particles before new paint is applied.

Important! Never place anything on the top plate of the stove. This could cause permanent damage to the paint or enamel.

8.0 Operational problems - troubleshooting

Poor draught

Check the length of the chimney and that it complies with national laws and regulations. (See also «2.0 Technical data»). Make sure that the minimum cross section on the chimney is according to «2.0 Technical data» in the installation manual. Make sure that there is not anything preventing the smoke gasses from escaping: branches, trees, etc. Upon suspicion of excessive/poor draught in the chimney, seek professional help for measurement and adjustment.

The fire extinguishes after a while

- Make sure that the firewood is sufficiently dry.
- Find out whether there is negative pressure in the house, close mechanical fans and open a window close to the fireplace.
- Check that the air vent is open.
- Check that the flue outlet is not clogged by soot.

Unusual amount of soot accumulates on the glass

Some soot will always stick to the glass, but the quantity depends on:

- Moisture in the fuel.
- The local draught conditions.
- Air vent opening.

Most of the soot will normally burn off when the air vent is opened all the way and a fire is burning briskly in the fireplace.

9.0 Optional equipment

9.1 Soapstone top - 50 mm, complete

Cat. no. 50036901

9.2 Steelplate sides, complete

Cat. no. 30023272

9.3 Soapstone set, complete

Cat. no. 50036877

9.4 Fan for Jøtul F 260

Cat. no. 50036914

9.5 Fireplace set

Cat. no. 50036912

10.0 Recycling

10.1 Recycling packaging

Your fireplace is delivered with the following packaging:

- A wooden pallet that can be cut up and burned in the fireplace.
- Cardboard packaging that should be taken to a local recycling facility.
- Plastic bags that should be taken to a local recycling facility.

10.2 Recycling the fireplace

The fireplace is made of:

- Metal that should be taken to a local recycling facility.
- Glass that should be disposed of as hazardous waste. The glass in the fireplace must not be placed in a regular source segregation container.
- Vermiculite burn plates that can be disposed of in regular waste containers.

11.0 Guarantee terms

1. Our guarantee covers:

Jøtul AS guarantees that the external cast-iron parts are free from defects in materials or manufacturing at the time of purchase. You may extend the guarantee on the external cast-iron parts to 25 years from the date of delivery by registering the product on jotul.com, and print out the extended guarantee card within three months of purchase. We recommend that the guarantee card be kept together with the receipt. Jøtul AS also guarantees that steel plate parts are free from defects in materials or manufacturing at the time of purchase for a period of 5 years from the date of delivery.

The guarantee applies on the condition that the stove has been installed by a qualified installer in accordance with applicable laws and regulations and Jøtul's installation and operating instructions. Repaired products and replacement items are guaranteed within the original guarantee period.

2. The guarantee does not cover:

- 2.1. Damage to consumables such as burn plates, fire grates, flue baffles, gaskets and similar as these deteriorate over time due to normal wear and tear.
- 2.2. Damage caused as a result of improper maintenance, overheating, use of unsuitable fuel (e.g. of unsuitable fuel are, but not limited to driftwood, impregnated wood, plank offcuts, chipboard) or too moist / wet wood.
- 2.3. Installation of optional extras for the purpose of rectifying local draught conditions, air supply or other circumstances beyond Jøtul's control.
- 2.4. Cases involving alterations / modifications to the fireplace without Jøtul's consent or the use of non-original parts.
- 2.5. Damage caused during storage at a distributor, transport from a distributor or during installation.
- 2.6. Products sold by unauthorized sellers in areas where Jøtul operates a selective distribution system.
- 2.7. Associated cost (e.g. but not limited to, transport, manpower, travel) or indirect damages.

Pellets stoves, glass, stone, concrete, enamel and paint finish (e.g. but not limited to chipping, cracking, bubbling or discolouration and crazing) are applicable to the national legislation governing the sale of consumer goods. This guarantee is valid for purchases made within the territory of the European Economic Area. All guarantee inquiries must be addressed to your local authorized Jøtul dealer within a reasonable amount of time, which shall not be later than 14 days from the date on which the fault or defect first became apparent. See list of importers and dealers on our web site www.jotul.com.

If Jøtul is unable to meet the obligations outlined in the above guarantee terms, Jøtul will offer a replacement product with a similar heating capacity free of charge.

Jøtul reserve the right to decline of any replacement of parts or service in the event that the guarantee is not registered online. This guarantee does not affect any rights under applicable national legislation governing the sale of consumer goods. The national complaint right applies from the purchase date and only in exchange for a receipt / serial number.

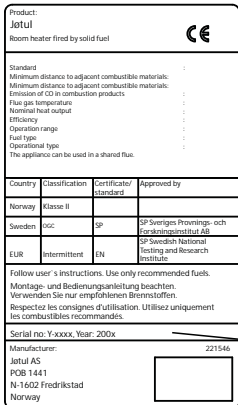
FRANCAIS

Table des matières

Manuel d'installation et données techniques

- 1.0 Relations avec les autorités 18
- 2.0 Données techniques 18
- 3.0 Sécurité 20
- 4.0 Installation 21
- 5.0 Utilisation au quotidien..... 27
- 6.0 Entretien 29
- 7.0 Maintenance 31
- 8.0 Dysfonctionnements – Causes et dépannages 31
- 9.0 Équipements en option 32
- 10.0 Recyclage 32
- 11.0 Conditions de garantie 32

Enregistrez votre insert sur www.jotul.com pour la garantie de 25 ans.



Tous nos produits sont fournis avec une étiquette indiquant le numéro de série et l'année. Reportez ce numéro à l'endroit indiqué dans les instructions d'installation.

Mentionnez toujours ce numéro lorsque vous contactez votre revendeur ou Jøtul.

Serial no.

1.0 Relations avec les autorités

L'installation d'un poêle doit être conforme aux codes du bâtiment et réglementations locales de chaque pays.

Toutes les réglementations locales, y compris celles relatives aux normes nationales et européennes, devront être respectées au moment d'installer l'appareil.

Veillez lire attentivement le manuel d'installation et d'utilisation avant de procéder à l'installation. Avant toute mise en service de l'appareil, l'installation devra avoir été agréée par un professionnel qualifié, suivant les pays.

La plaque signalétique CE, résistante aux hautes températures, est apposée à l'intérieur de la base du poêle. Elle comporte les informations suivantes : fabricant, adresse, nom du produit, référence catalogue, norme de fabrication, référence de production et puissance.

2.0 Données techniques

Matériau:	Fonte
Finition:	Peinture noire
Combustible:	Bois exclusivement
Longueur max. des bûches:	33 cm
Sortie de fumée:	Dessus/ derrière
Conduit de raccordement:	Ø150 mm, 177 cm ² section transversale
Poids:	Env. 140 kg
Poids, habillage pierre ollaire:	Env. 80 kg
Poids, panneaux latéraux en acier:	Env. 20 kg
Poids, dessus en pierre ollaire (Équipements en option):	Env. 20 kg
Équipements en option:	Dessus en pierre ollaire, Panneaux latéraux en acier, Habillage pierre ollaire, Ventilateur, Serviteur.
Dimensions, distances:	Voir fig. 1a

Données techniques conformes à la norme EN 13240

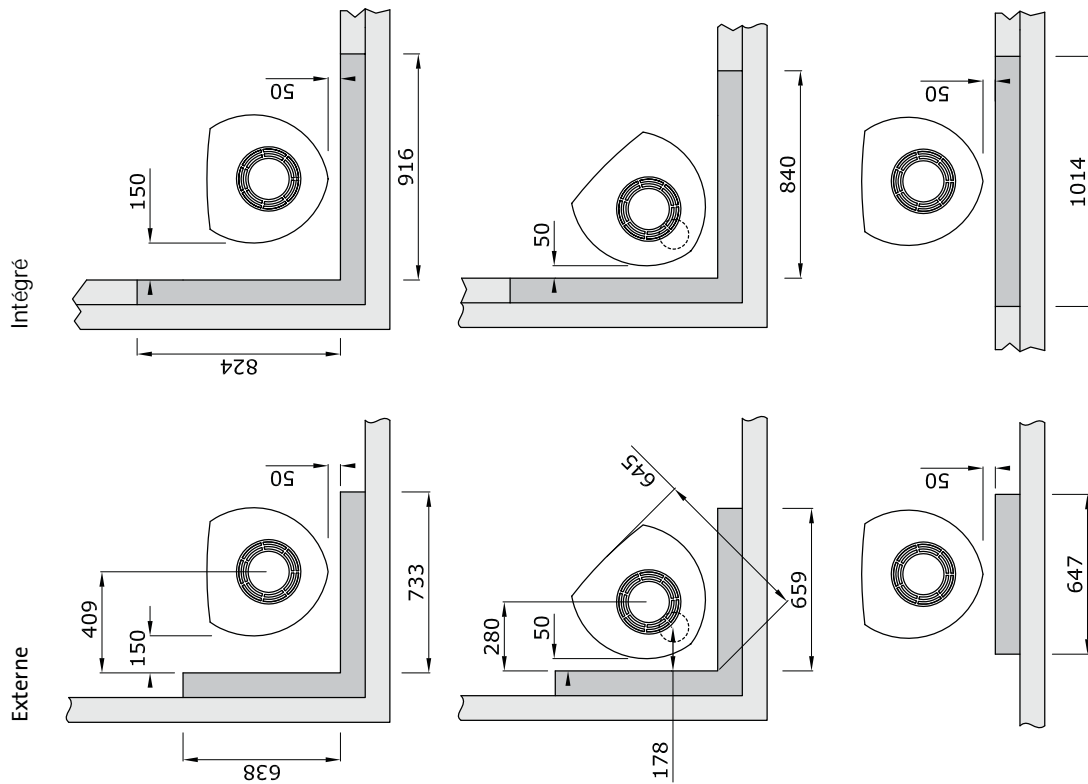
Puissance nominale:	5 kW
Débit massique des fumées:	5,0 g/s
Tirage de cheminée recommandé:	12 Pa
Rendement:	82% @ 5,9 kW
Émissions CO (13% O ₂):	0,10%
Émissions CO (13% O ₂):	1242 mg/Nm ³
Température des gaz de fumées:	260° C
Mode de fonctionnement:	Intermittent Intermittent

“Combustion intermittente” signifie ici une utilisation normale de la cheminée, c'est-à-dire qu'une nouvelle flambée est initiée dès que le combustible a été réduit à la quantité de braises appropriée.

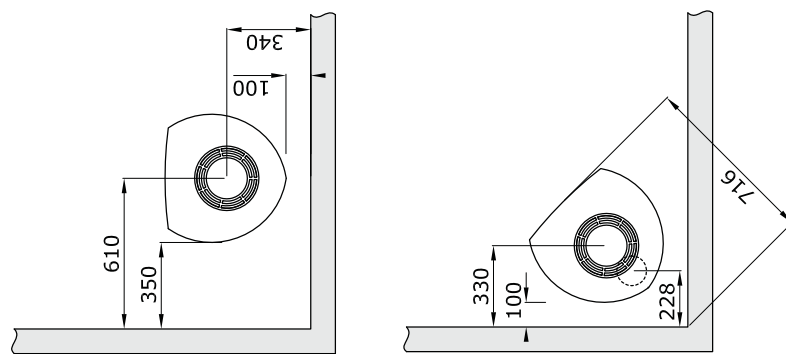
Jøtul F 263

Fig. 1

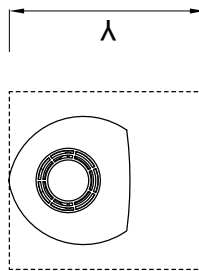
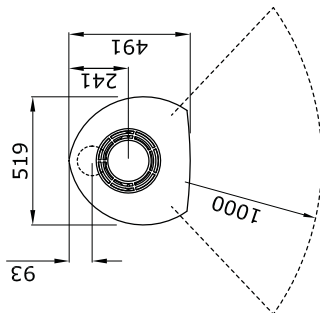
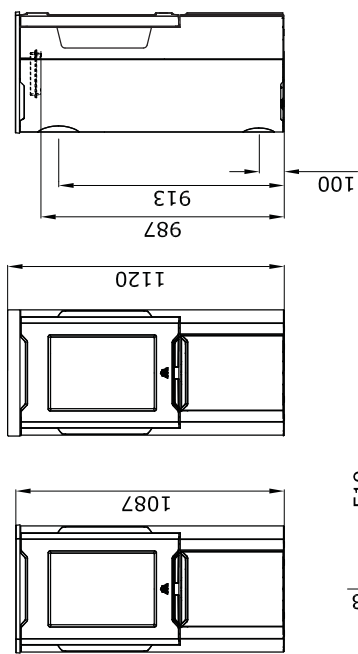
Distance minimale par rapport au mur en matériau combustible protégé par un pare-feu:



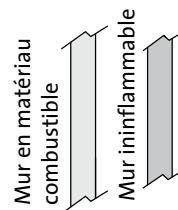
Espace minimum par rapport à un mur combustible:



Plaque supérieure - fonte
Plaque supérieure - pierre ollaire



Dimensions minimales de la plaque de sol
X/Y = Conformes aux lois et règlements en vigueur.



Amenée d'air frais

Dans une maison bien isolée, l'air utilisé pour la combustion doit être renouvelé. Ceci est particulièrement important dans une maison avec ventilation mécanique. Plusieurs méthodes sont possibles. Le plus important est de faire arriver l'air dans la pièce où le poêle est installé. Le clapet de mur extérieur doit être placé le plus près possible du poêle et doit pouvoir se fermer lorsque le poêle n'est pas utilisé.

Il convient de se conformer à la réglementation locale et nationale du bâtiment concernant la prise d'air extérieur.

S'assurer régulièrement que les entrées d'air de la pièce où le poêle est installé ne sont pas obstruées.

Système de combustion fermé

Il convient d'utiliser le système de combustion fermé du poêle dans les habitations de construction récente, étanches à l'air. L'air extérieur de combustion est raccordé par l'intermédiaire d'un tuyau d'aération via le mur ou le sol.

Arrivée d'air

Le volume d'air de combustion des produits Jøtul est d'environ 20 à 40 m³/h.

L'arrivée d'air frais peut être raccordée directement au poêle Jøtul F 263 / Jøtul F 263 S par :

- Un tuyau flexible depuis l'extérieur ou la cheminée (seulement si celle-ci dispose d'une conduite propre pour l'air frais) et vers le raccord d'air frais de l'appareil.

Fig. 2a, par un mur

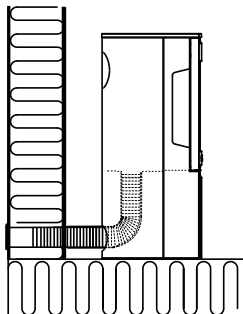


Fig. 2b, par le sol et la plaque de sol

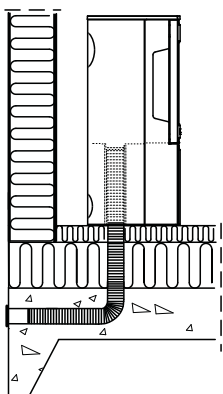


Fig. 2c, par le sol et la cave

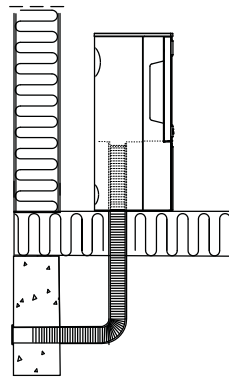
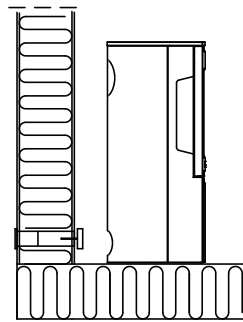


Fig. 2d, indirectement par un mur



3.0 Sécurité

Remarque : Afin d'assurer un niveau de rendement et de sécurité optimal, l'installation d'un poêle Jøtul doit être confiée à un installateur qualifié.

Toute modification de l'appareil par le distributeur, l'installateur ou l'utilisateur final, risque de compromettre le bon fonctionnement de l'appareil et de ses éléments de sécurité. Ceci s'applique également à l'installation d'accessoires ou d'équipements en option qui ne sont pas fournis par Jøtul. Ce risque peut par ailleurs survenir dans le cas où des pièces ou éléments essentiels pour le bon fonctionnement et la sécurité du poêle, ont été désassemblés ou retirés. Dans tous ces cas, le fabricant ne pourra être tenu responsable pour le produit et le droit de recours à la garantie sera rendu nul et sans effet.

3.1 Mesures de prévention anti-incendie

Toute utilisation du poêle comporte un certain degré de risque. C'est pourquoi, il est indispensable de toujours respecter les consignes de sécurité suivantes :

- Les distances minimales à respecter en utilisant le poêle ressortent de la figure 1. La distance avec les matériaux inflammables spécifiée s'applique à ce poêle. Le poêle doit être installé avec un conduit de raccordement normalisé CE. La distance minimum entre les tuyaux et les matériaux combustibles doit aussi être respectée.
- Assurez-vous que les meubles et autres matériaux inflammables ne sont pas trop rapprochés du poêle. Pas de matériaux inflammables dans un rayon de 1 mètre du poêle.
- Laissez le feu s'éteindre de lui-même. Ne tentez jamais d'éteindre le feu avec de l'eau.
- Le poêle devient chaud lorsqu'il est allumé et peut provoquer des brûlures à la personne qui le touche.
- Attendez que le poêle soit froid pour retirer les cendres. Les cendres pouvant encore contenir des braises, il convient de les recueillir dans un réceptacle ininflammable.
- Il convient d'épandre les cendres à l'extérieur ou de les vider dans un endroit ne présentant aucun risque d'incendie.

En cas de feu de cheminée:

- Fermer l'ensemble des trappes et des entrées d'air.
- Maintenir la porte de la chambre de combustion fermée.
- Vérifier toute présence de fumée dans le grenier et dans la cave.
- Contacter le service de sécurité incendie.
- Suite à un feu de cheminée, le foyer et la cheminée doivent être contrôlés par un spécialiste avant toute nouvelle utilisation afin de s'assurer que l'installation est opérationnelle.

3.2 Sol

Support

Assurez-vous que le sol puisse supporter la cheminée. Voir la section « **2.0 Données techniques** » consacrée aux poids spécifiques. Il est recommandé d'enlever le revêtement de sol pendant l'installation si celui-ci n'est pas solidaire du socle (parquet flottant).

Protection d'un sol combustible

Le produit comporte une plaque de fond hermétique dispensant d'installer un revêtement supplémentaire sous le poêle.

Jøtul recommande de retirer tout revêtement de sol combustible (linoléum, moquette, etc.) sur la surface couverte par la plaque de sol.

Plaque de sol

Une plaque en acier ou en tout autre métal ininflammable (en option) est placée devant le poêle.

La plaque de sol doit être conforme aux législations et aux réglementations nationales en vigueur.

Veillez contacter les autorités locales compétentes pour connaître les restrictions d'usage et les exigences liées à l'installation.

3.3 Les murs (fig. 1a)

Distance par rapport à un matériau inflammable

Jøtul F 263 / F 263 S avec cheminée semi-isolée /conduit de fumée isolé complètement appuyé contre le produit. **Voir fig. 1a.**

Distance par rapport aux murs protégés par un pare-feu

En raison des différences locales entre les prescriptions en vigueur, nous vous conseillons de prendre contact avec les autorités locales compétentes.

Exigences relatives à la cheminée

La cheminée doit avoir une épaisseur minimale de **100 mm** et se composer de briques, de blocs de béton ou de béton léger. Des constructions et des matériaux différents peuvent aussi être utilisés s'ils présentent un dossier d'application satisfaisant.

Distance par rapport aux murs ininflammables

Par mur ininflammable on entend un mur massif non porteur en brique ou en béton.

En raison des différences locales entre les prescriptions en vigueur, nous vous conseillons de prendre contact avec les autorités locales compétentes.

3.4 Le plafond

Un espace d'au minimum **1 000 mm** doit être respecté entre le poêle et un plafond combustible.

4.0 Installation

Le produit est réparti dans au moins deux colis.

N.B. Avant de procéder à l'installation, vérifiez que la cheminée est intacte.

Le produit est lourd ! Veillez à obtenir de l'aide avant de le redresser et de l'installer.

4.1 Cheminées et conduits d'évacuation

- L'appareil peut être raccordé à une cheminée et à un conduit approuvés pour les poêles à combustible solide, avec les températures de fumées spécifiées dans la section « **2.0 Données techniques** ».
- La section transversale minimale de la cheminée doit correspondre au moins à celle du conduit de raccordement. Voir « **2.0 Données techniques** » lors du calcul de la section de cheminée appropriée.
- Plusieurs appareils à combustible solide peuvent être raccordés au même système de cheminée, dès l'instant où la section est suffisante suivant les pays.
- Le raccordement à la cheminée doit être effectué conformément aux instructions d'installation du fournisseur de la cheminée.
- Procédez à un montage d'essai avant de percer un trou dans la cheminée, afin d'assurer un montage correct. Voir la fig. 1 pour les dimensions minimales.
- Raccordement à l'arrière : assurez-vous que le conduit d'évacuation est bien incliné légèrement vers le haut à partir du poêle.
- Utilisez un coude de conduit doté d'une trappe afin de permettre les opérations de ramonage, suivant les pays.

Veillez impérativement à ce que les raccordements présentent un certain degré de flexibilité afin de prévenir des mouvements pouvant provoquer des fissures dans l'installation.

N.B. Un raccordement correct et étanche est essentiel pour assurer le bon fonctionnement de l'appareil.

Tirage recommandé; Voir «2.0 Données techniques». En cas de tirage trop important, installer et utiliser un réducteur de tirage.

4.2 Dépose du mécanisme de fermeture automatique sur la porte

Le produit est livré avec le mécanisme de fermeture automatique de porte pré-installé. Il pourra être retiré le cas échéant.

Fig. 3

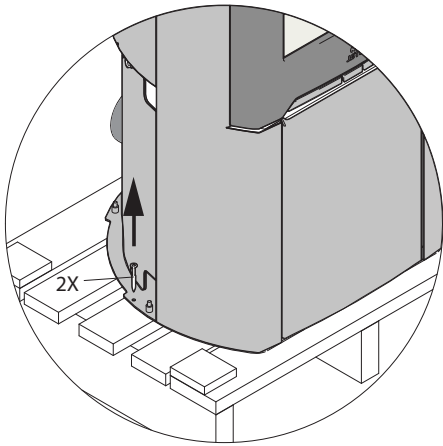
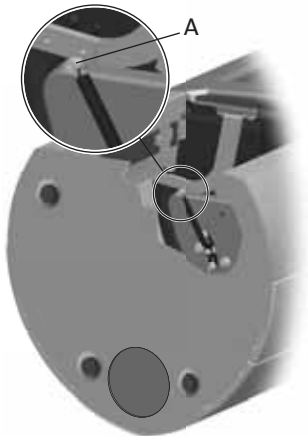


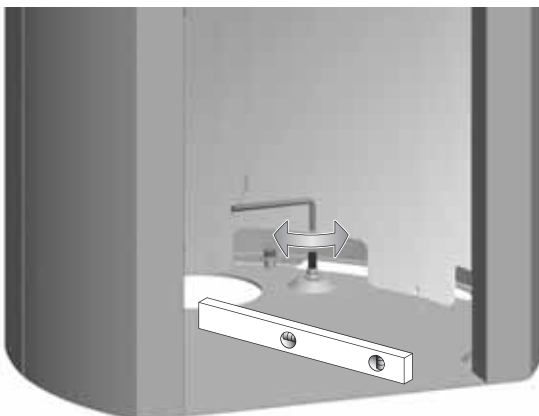
Fig. 3a



1. Déposez la vis et l'écrou (Fig. 3 A).
2. Décrochez et retirez le ressort.

4.3 Mise à niveau de l'appareil

Fig. 3b



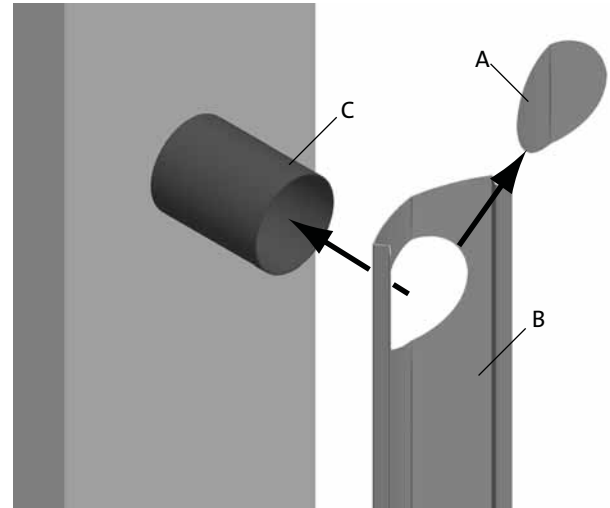
4.4 Sortie de fumées à l'arrière

L'appareil est livré avec la buse pour un raccordement dessus.

N.B. Procéder comme suit pour le raccordement arrière :

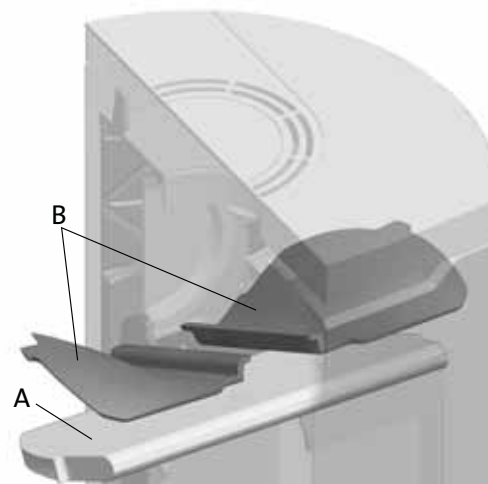
Fig. 4

Lors du montage des plaques latérales en ollaire, la plaque arrière (Fig. 4 B) doit être préparée avant de placer le produit dans position finale.



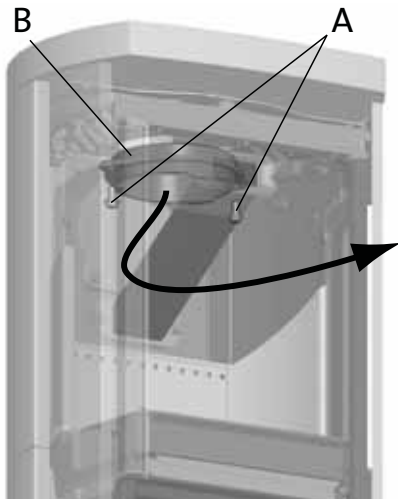
1. Retirez le cache amovible (Fig. 4 A) sur la plaque arrière (Fig. 4 B).
2. Accrochez délicatement la plaque arrière sur le conduit de fumée (Fig. 4 C).
3. Positionnez le produit correctement. (Voir Fig. 1a).

Fig. 5



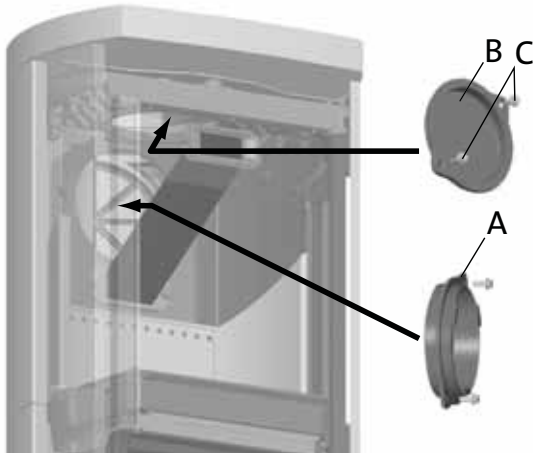
1. Soulevez délicatement la chicane (fig. 5 A).
2. Déposez l'une des plaques de doublage latérales en la soulevant légèrement pour la dégager. (Si vous utilisez des outils, n'oubliez pas qu'une manipulation brutale peut endommager les plaques de vermiculite).
3. Retirez le déflecteur.
4. Retirez l'autre plaque de doublage latérale.
5. Retirez les déflecteurs supérieurs (fig. 5 B).

Fig. 6



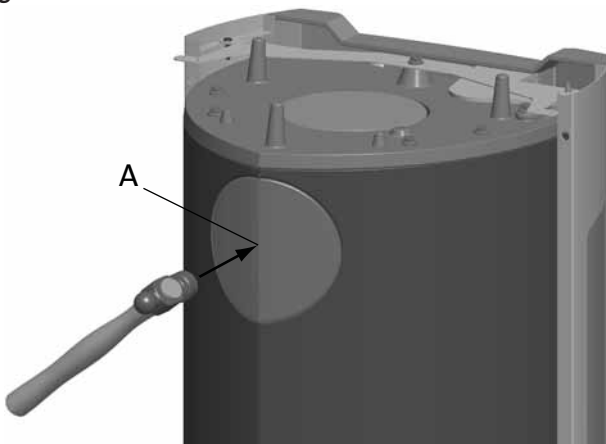
1. Dévisser les vis (Fig. 6 A) et retirer la buse (Fig. 5B) par l'intérieur de la chambre de combustion.

Fig. 7



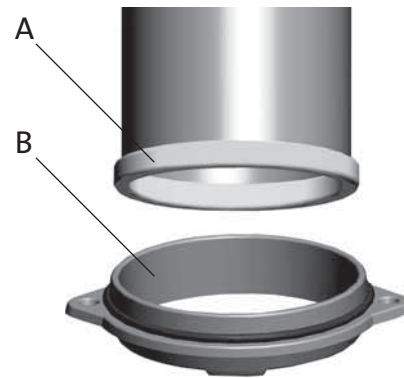
1. Desserrez les vis (Fig. 7 C) et retirez le couvercle (Fig. 7 B) de la sortie arrière de l'intérieur du foyer.

Fig 8



1. Cassez les cache passage de tuyau (fig 8 A).
2. Fixer la buse (Fig. 7 A) par l'intérieur à la place du cache sortie de fumées.
3. Installez le couvercle (Fig. 7 B) à l'endroit où se trouvait la sortie de fumée.
4. Remettre en place les déflecteurs hauts (fig. 5 B) et bas (fig. 5 A).

Fig. 9

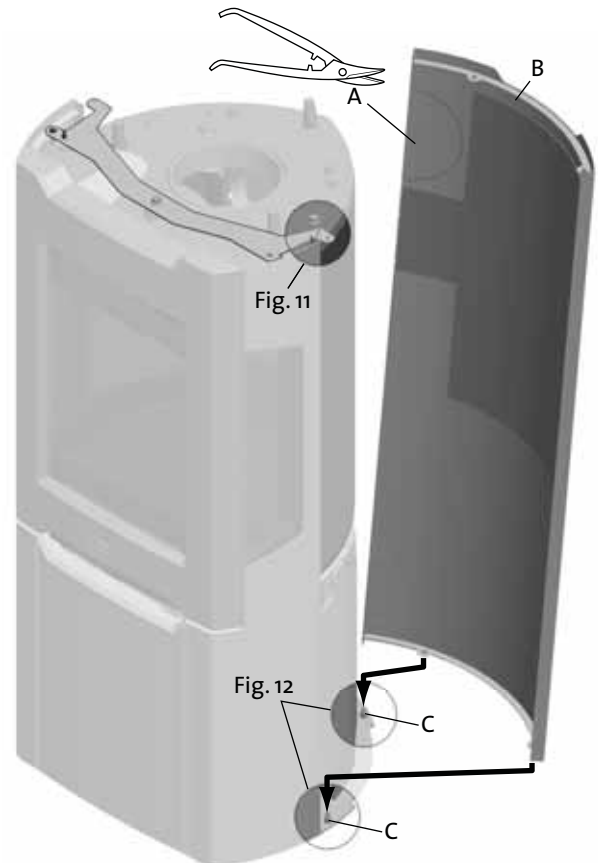


1. Enfilez le joint (Fig. 9 A) contenu dans le sachet de vis autour du conduit d'évacuation et glissez-le jusqu'à la sortie de fumée (Fig. 9 B).

4.5 Montage des panneaux latéraux

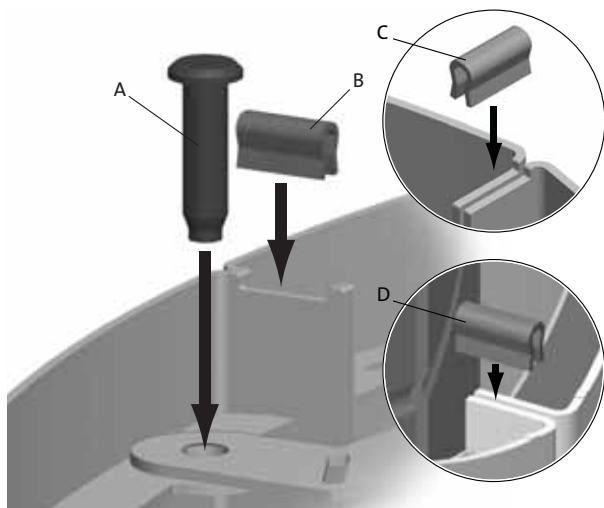
Panneaux latéraux en acier

Fig. 10



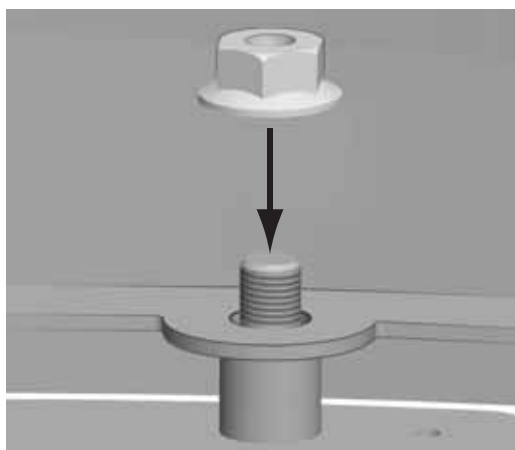
1. En cas de sortie par l'arrière : Utilisez un outil approprié pour déposer le couvercle (Fig. 10 A) du panneau latéral (Fig. 10 B).
2. Saisissez la plaque latérale et positionnez-la sur les boulons (Fig. 10 C et Fig. 12).
3. Positionnez l'autre plaque latérale en acier de la même manière.

Fig. 11



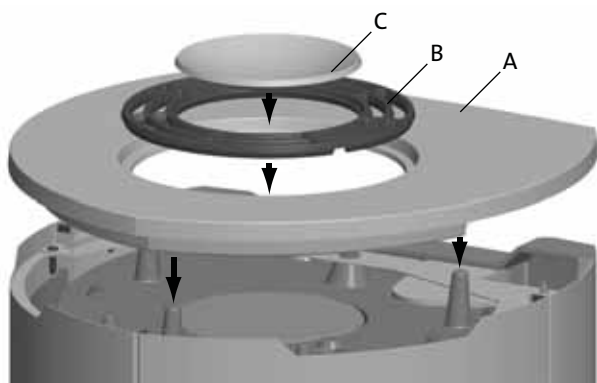
1. Montez les goupilles (Fig. 11 A) et les clips (Fig. 11 B).
2. Joindre les deux panneaux latéraux à l'aide d'un clip (Fig. 11 C).
3. En cas de sortie par l'arrière : Montez un clip supplémentaire sur la partie inférieure de l'ouverture (Fig. 11 D).

Fig. 12



1. Montez les écrous de l'intérieur de la plaque de base.

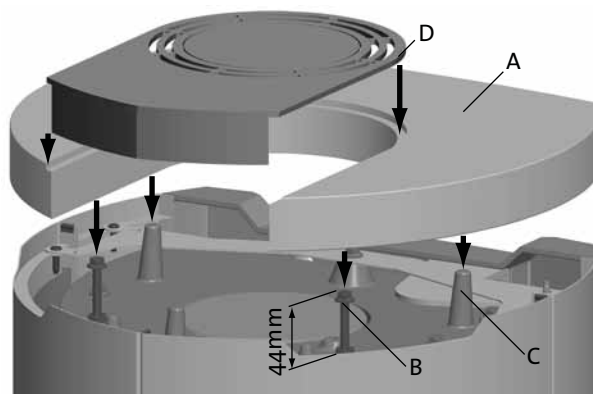
Fig. 13



1. Montez la plaque supérieure (Fig. 13 A), la grille d'air (Fig. 13 B) et la cuvette (Fig. 13 C).

Partie supérieure en pierre ollaire:

Fig. 14



1. Remplacez les vis par un boulon (Fig. 14 B) fournis.
2. Placez la partie supérieure en pierre ollaire (Fig. 14 A) sur les boulons (Fig. 14 B) et les plots de guidage (Fig. 14 C).
3. Réglez les boulons (Fig. 14 B) pour mettre à niveau la partie supérieure en pierre ollaire.
4. Placez le couvercle en acier (fig. 14 D).

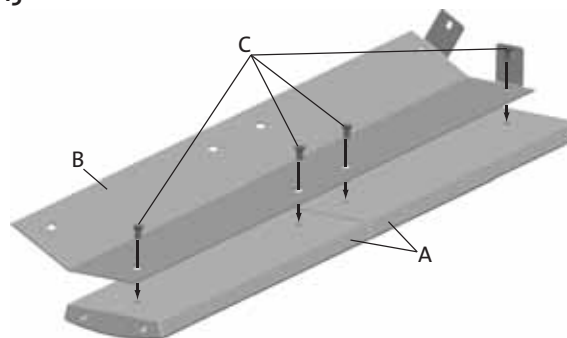
Panneaux latéraux en ollaire

Important!

Les pierres peuvent être endommagées si elles sont manipulées sans précaution. Le montage doit être effectué par une personne qualifiée.

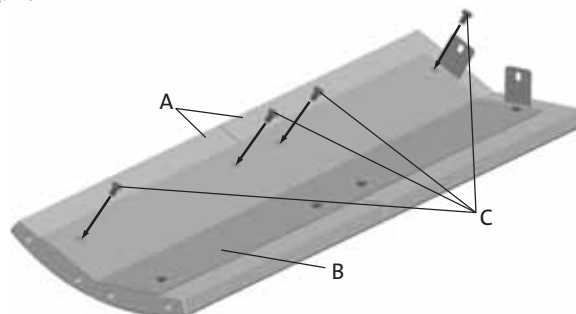
En cas de sortie des fumées par l'arrière, préparez la plaque arrière comme illustré dans la figure 4.

Fig. 15



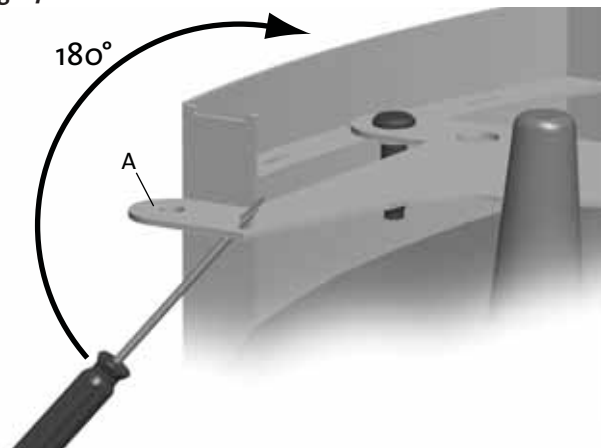
1. Posez délicatement 2 pierres ollaire (Fig. 15 A) sur le sol.
2. Montez le support (Fig. 15 B) à l'aide de 4 vis (Fig. 15 C). Ne serrez pas encore les vis.

Fig. 16



Placez les 2 pierres ollaire suivantes (Fig. 16 A) sur le support (Fig. 16 B) à l'aide de 4 vis (Fig. 16 C). Ne serrez pas encore les vis.

Fig. 17

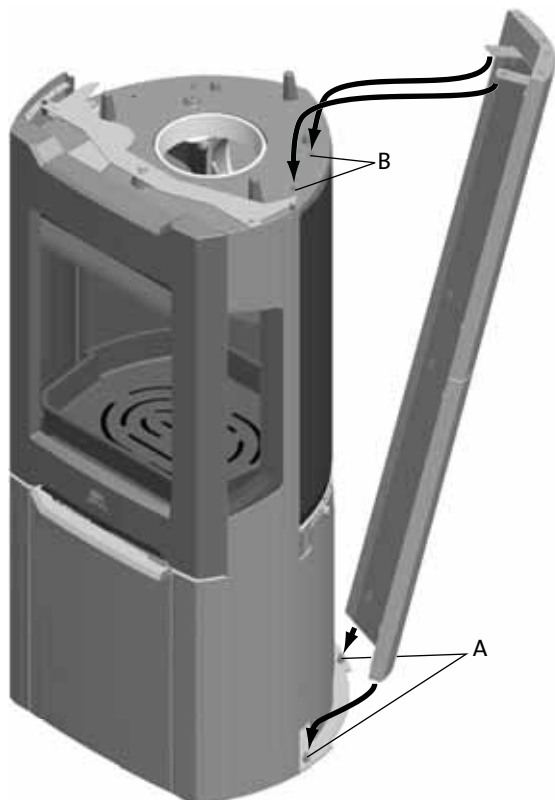


1. Repliez la pièce externe (Fig. 17 A) sur le support.

En cas de sortie des fumées par l'arrière:

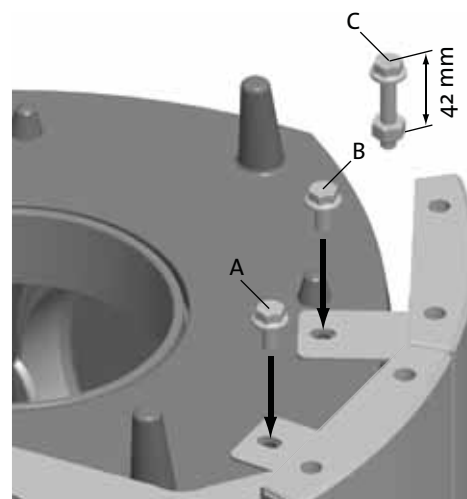
Placez la plaque arrière (Fig. 4 B) et la monter temporairement comme illustré dans la figure 21.

Fig. 18



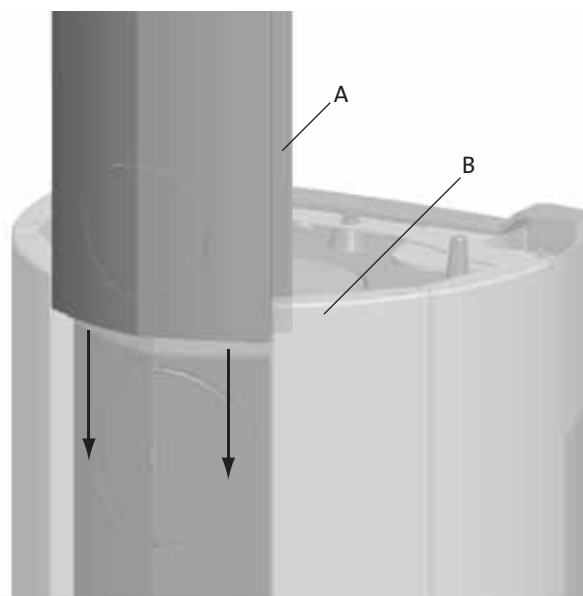
1. Soulevez délicatement le panneau latérale en pierre ollaire.
2. Ajustez la position de la pierre ollaire et serrez les vis.
3. Saisissez le panneau en pierre ollaire et le positionner délicatement sur les boulons (Fig. 18 A).
4. Montez ensuite la section supérieure de la plaque latérale en ollaire sur le foyer (Fig. 18 B).

Fig. 19



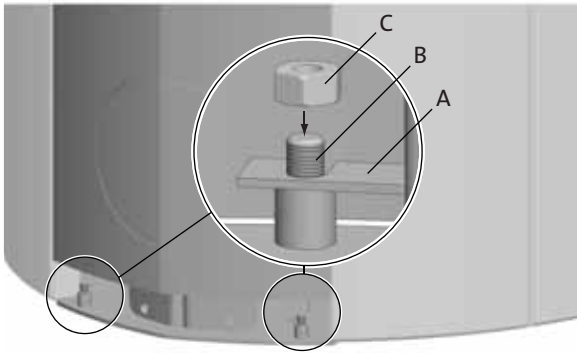
1. Montez la plaque latérale en ollaire sur le foyer avec les vis (Fig. 19 A et B).
2. **Partie supérieure en pierre ollaire:** Remplacez les vis (fig. 19 B) par un boulon et écrou (fig. 19 C) fournis.
3. Positionnez l'autre plaque latérale en pierre ollaire de la même manière.

Fig. 20



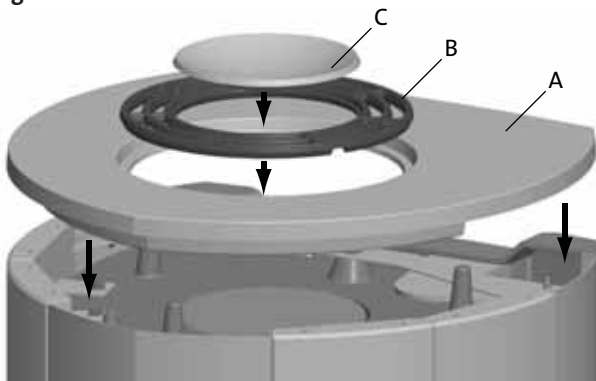
1. Saisissez la plaque arrière (Fig. 20 A) et la faire coulisser entre les plaques latérales en ollaire (Fig. 20 B).

Fig. 21



1. Abaissez la plaque arrière (Fig. 21 A) sur les boulons (Fig. 21 B).
2. Montez les écrous de l'intérieur de la base (Fig. 21 C).

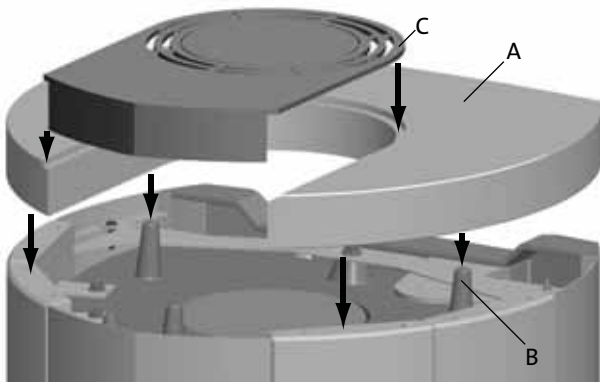
Fig. 22



1. Montez la plaque supérieure (Fig. 22 A), la grille d'air (Fig. 22 B) et la cuvette (Fig. 22 C).

Partie supérieure en pierre ollaire:

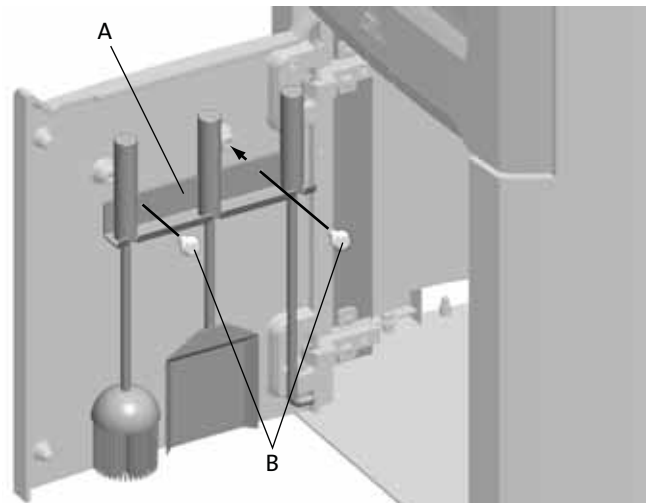
Fig. 23



1. Placez la partie supérieure en pierre ollaire (Fig. 23 A) sur les plots de guidage (Fig. 23 B).
2. Placez le couvercle en acier (fig. 23 C).

4.6 Montage du serviteur (Équipements en option)

Fig. 24



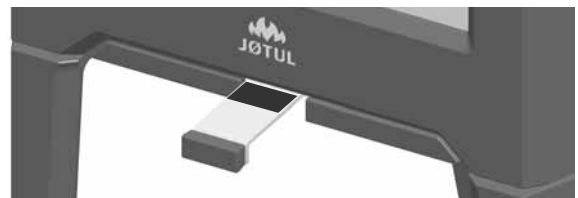
1. Montez le support (Fig. 24 A) sur la porte à l'aide des vis (Fig. 24 B).

4.7 Contrôle des fonctions

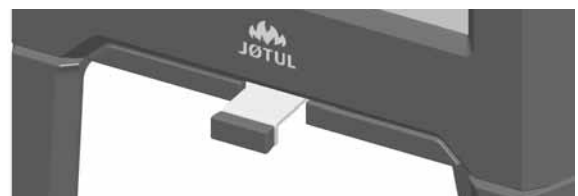
Une fois le poêle installé, vérifiez toujours les fonctions de commande. Elles doivent pouvoir être actionnées facilement et fonctionner correctement.

Le produit est doté d'une poignée. Cette poignée commande le registre d'allumage et le registre d'air frais.

- Tirée complètement (étiquette visible) : Allumage.



- Rentrée (étiquette non visible) : Registre d'air frais.



5.0 Utilisation au quotidien

Odeurs perceptibles lors de la première utilisation du poêle

Lors de la première utilisation, le poêle peut émettre un gaz irritant et dégager des odeurs désagréables. Ceci se produit lorsque la peinture sèche. Ce gaz n'est pas toxique, mais il est recommandé de bien aérer la pièce. Maintenir une température élevée dans le poêle jusqu'à qu'aucun gaz, fumée ou odeur ne puisse être détecté.

5.1 Utilisation

Conseils de chauffage

Remarque : Il est recommandé d'entrer les bûches qui ont été stockées à l'extérieur ou dans une pièce froide 24 heures avant de les brûler afin de les amener à température ambiante.

Il existe différentes manières de chauffer le poêle, mais soyez toujours attentif à ce que vous y mettez. Voir le chapitre intitulé « La qualité du bois ».

La qualité du bois

Par bois de qualité, nous entendons les essences les plus courantes telles que bouleau, épicéa et pin ou hêtre, chêne, érable. Suivant les pays.

Les bûches doivent sécher au moins 24 mois afin que leur teneur en eau ne dépasse pas 20 %.

Pour cela, il convient de couper le bois à la fin de l'hiver. Fendez-les et empilez-les pour permettre à l'air de bien circuler. Recouvrez les piles afin de protéger les bûches de la pluie. Entrez les bûches dans la maison au début de l'automne en vue de leur utilisation pendant l'hiver qui suit.

Soyez particulièrement attentif à ne jamais brûler les matériaux suivants dans le poêle :

- Les déchets ménagers, les sacs en plastique, etc.
- Le bois peint ou imprégné (très toxique).
- Le bois contreplaqué
- Le bois qui est resté dans l'eau
- Les chutes de menuiserie dont le bois est trop sec.
- Le bois de récupération de chantier

Ceux-ci risquent d'endommager l'appareil et ce sont aussi des polluants.

Remarque : N'employez jamais de l'essence, de la paraffine, de l'alcool (méthyllique) ou tout liquide similaire pour allumer le feu. Vous risqueriez de vous blesser sérieusement et d'endommager l'appareil.

Consommation de bois

Utilisation de bois avec puissance thermique nominale: Env. 1,6 kg/h. L'efficacité de la combustion du bois dépend par ailleurs d'une longueur correcte des bûches utilisées. **La dimension des bûches devrait être de :**

Pour le bois d'allumage :

Longueur : 23 - 33 cm
Diamètre : 2 - 5 cm
Quantité par flambée : 6 - 8 bûches

Utilisation quotidienne :

Pour le bois de chauffage (fendu) :

Longueur : 23 - 33 cm
Diamètre : Env. 8 cm
Fréquence de remplissage : Environ toutes les 45 minutes
Taille du foyer : 1,2 kg
Quantité par remplissage : 2 bûches

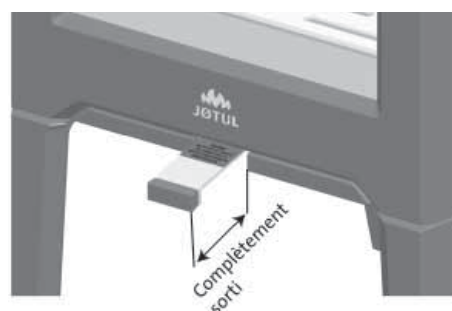
La puissance thermique nominale est atteinte avec une ouverture du clapet de tirage de 57 %.

Utilisation maximum :

Chargement maximum : 2,9 kg/h (maximum 3 bûches / 2,2 kg par chargement).

Allumage

Fig. 25



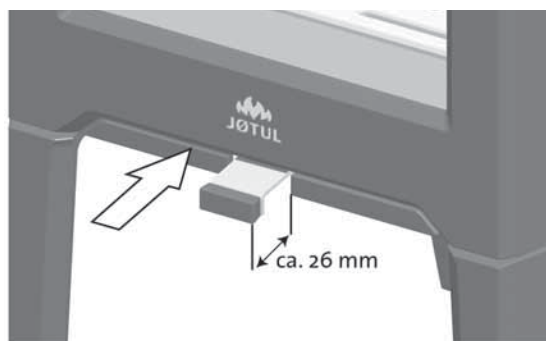
- Ouvrir le registre d'air frais et le registre d'allumage en tirant la poignée à fond. (Portez un gant ou une protection similaire pour vous protéger la main si les poignées sont brûlantes.)



- Disposez deux bûches au fond du poêle et empilez le bois d'allumage en strates successives.
- Pour finir, placez une bûche de taille moyenne au sommet de la pile de bois.
- Placez 2 ou 3 briquettes sous la plus haute strate de bois d'allumage puis allumez le feu.

Chauffage

Fig. 26



- Une fois que le feu a bien pris, fermez le registre d'arrivée d'air (fig. 26) sur environ 40 mm.
- Lors du premier allumage, laissez la porte ouverte jusqu'à ce que la façade soit bien chaude pour éviter que les joints ne collent à la peinture.
- Fermez la porte.
- Vous pouvez régler la vitesse de combustion pour obtenir le degré de chauffage souhaité en ajustant le registre d'air frais.
- Vérifiez que la postcombustion (combustion secondaire) démarre. On le voit aux flammes jaunes, dansantes, devant les trous sous le déflecteur.
- Conseil pratique : Pour ne pas risquer d'oublier de fermer l'entrée d'air inférieure (fig. 26) ce qui pourrait être dommageable pour l'appareil, privilégiez la porte ouverte pour allumer ou relancer le feu.

Ajouter du bois

Alimentez le poêle régulièrement mais n'ajoutez que de petites quantités de combustible à la fois. Si la combustion est trop vive, la contrainte thermique dans la cheminée risque de devenir excessive. Faites preuve de modération. Évitez les feux couvants car ils sont les plus polluants. Le feu est parfait lorsque le bois brûle bien et que la fumée qui sort de la cheminée est pratiquement invisible.

5.2 Risque de surchauffe

Ne surchauffez jamais le poêle

La surchauffe est provoquée par un excès de combustible et/ou d'air qui donne lieu à un dégagement de chaleur trop important. Lorsque le poêle devient incandescent par endroits, c'est un signe incontestable de surchauffe. Si le cas se produit, réduisez immédiatement l'apport d'air frais. En cas de surchauffe, la garantie ne pourrait pas être assurée.

Si vous pensez que la cheminée tire mal (tirage excessif ou insuffisant), contactez un spécialiste. Pour plus de détails, reportez-vous à «4.0 Installation » (Cheminée et conduit d'évacuation).

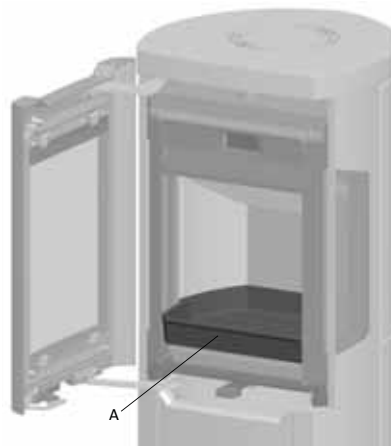
5.3 Décendrage

Les modèles Jøtul F 263 / F 263 S sont équipés d'un cendrier qui facilite l'élimination des cendres.

Utiliser le serviteur (Fig. 24).

Attention: le serviteur peut devenir chaud.

Fig. 27



1. Raclez les cendres au-dessus de la grille (fig. 27 A) de la sole foyer pour qu'elles tombent dans le cendrier. Utilisez un gant pour saisir la poignée du cendrier.
2. Assurez-vous que le remplissage du cendrier ne va pas jusqu'à empêcher la descente des cendres à travers la grille.

Conseil pratique : Afin de protéger la sole foyer du poêle des braises extrêmement chaudes, laissez quelques centimètres de cendres au fond en permanence et videz les excès de cendres avec une pelle métallique par la porte.

6.0 Entretien

Avertissement : Toute modification du produit sans autorisation est interdite.

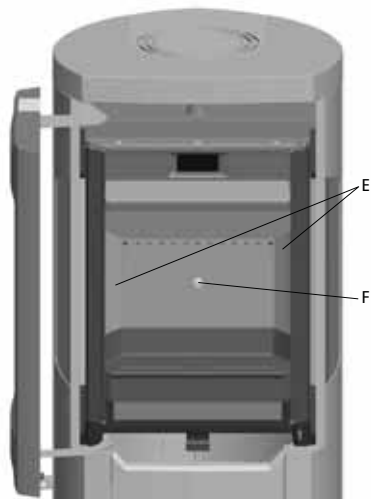
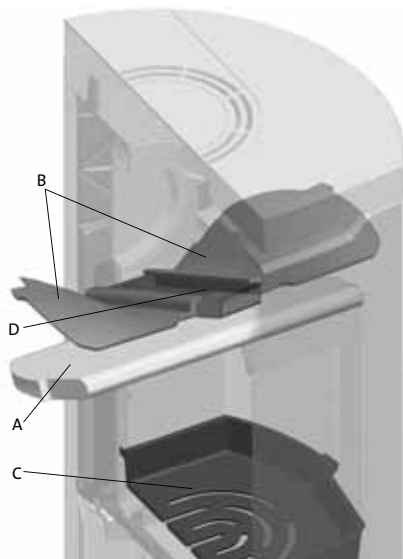
N'utilisez que des pièces de rechange d'origine.

Toute opération d'entretien doit être faite sur un appareil froid !

6.1 Changement des plaques de doublage/sole foyère

AVERTISSEMENT ! Les plaques de doublage et le déflecteur inférieur sont en vermiculite. C'est un matériau très efficace mais fragile. Ne le choquez pas, ne le rayez pas, introduisez les bûches délicatement lorsqu'il n'y a plus de flammes et de longueur ne dépassant pas 33 cm.

Fig.28



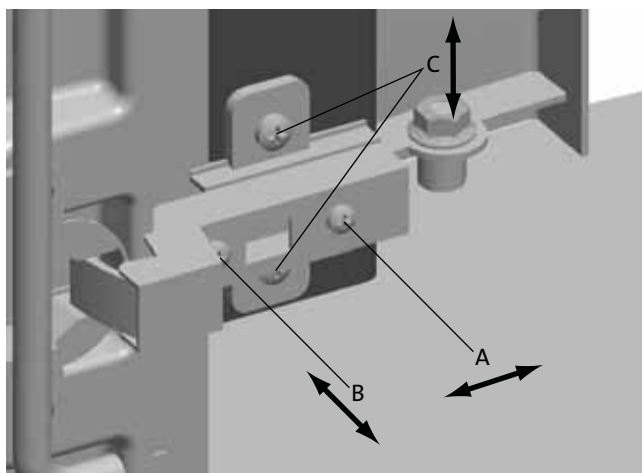
1. Soulevez délicatement la chicane (fig. 28 A).
 2. Retirez l'une des plaques de doublage latérales (fig. 28 E) en les soulevant légèrement pour la dégager. (Si vous utilisez des outils, n'oubliez pas qu'une manipulation brutale peut endommager les plaques de vermiculite).
 3. Retirez le déflecteur.
 4. Retirez l'autre plaque de doublage latérale.
 5. Dévissez les vis M8x25 mm de la plaque de doublage arrière (fig. 28 F) et retirez-la.
 6. Puis retirez la sole foyère en la soulevant (fig. 28 C).
- Pour l'installation, suivez la même procédure mais dans l'ordre inverse.

6.2 Changement du déflecteur

- Suivez les étapes 1 à 3 sous fig. 28.
 - Il est ainsi plus facile d'accéder aux déflecteurs de fumée (fig. 28 B) si ces derniers doivent être déposés. Ils reposent sur un appui sur la plaque de doublage latérale et un sur le distributeur d'air (fig. 28 D).
 - Abaissez les déflecteurs et retirez-les par la porte.
- Pour la réinstallation, suivez la même procédure dans l'ordre inverse.

6.3 Réglage de la porte

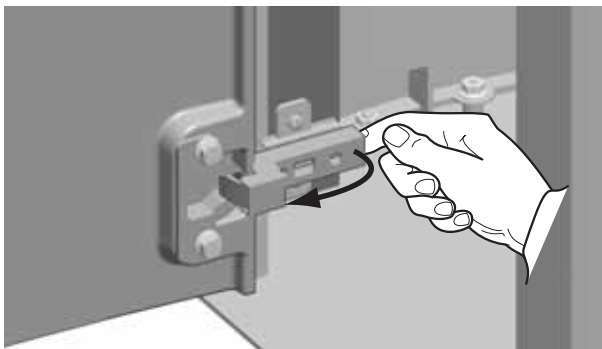
Fig. 29



6.4 Échange de la vitre dans les panneaux latéraux

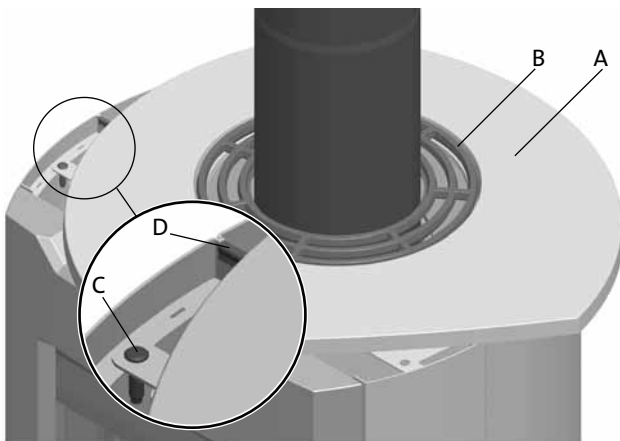
La vitre dans les panneaux latéraux peut, le cas échéant, être remplacée.

Fig. 30



1. Retirez la porte en appuyant sur la partie arrière de la charnière.

Fig. 31



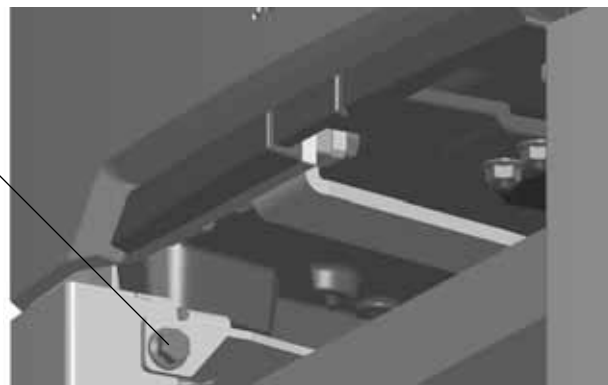
En cas de sortie des fumées par l'arrière:

1. Soulevez délicatement la plaque supérieure (Fig. 31 A), la grille d'air (Fig. 31 B) et la cuvette.
2. Retirez la goupille (Fig. 31 C) et le clip (Fig. 31 D).

Avec une sortie de fumée par le haut:

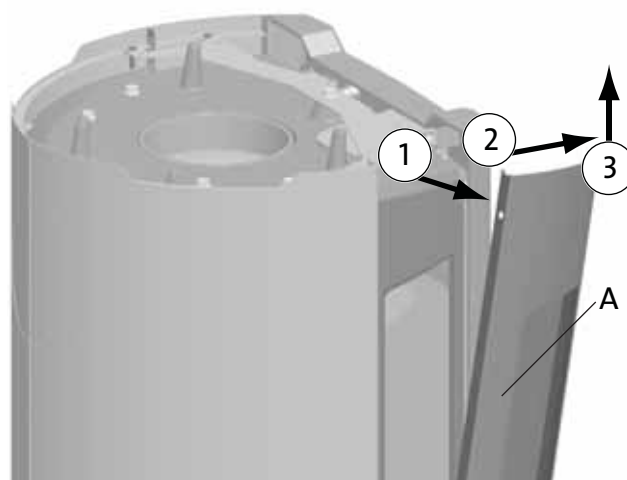
1. Soulevez délicatement la plaque supérieure (Fig. 31 A) et la grille d'air (Fig. 31 B).
2. Faites pivoter la plaque supérieure et la grille d'air d'environ 60°.
3. Laissez la plaque supérieure et la grille d'air reposer sur le poêle.
4. Retirez la goupille (Fig. 31 C) et le clip (Fig. 31 D).

Fig. 32



1. Retirez la vis (fig. 32 A) à l'intérieur de la base.

Fig. 33



1. Extraire le panneau latéral (fig. 33 A).
2. Présentez délicatement le panneau latéral en l'inclinant sur la partie frontale.
3. Soulevez le panneau latéral.
4. Remplacez la vitre et le joint.

Pour la réinstallation, suivez la même procédure dans l'ordre inverse.

6.5 Remontage de la porte

Fig. 34

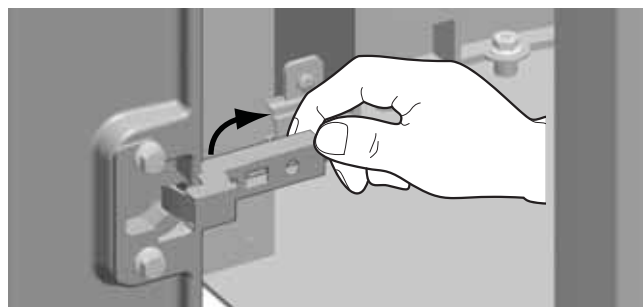
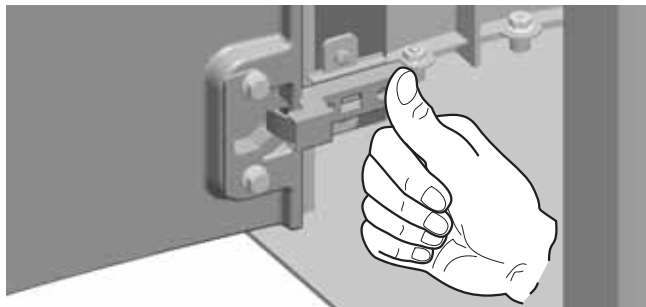


Fig. 35



Si un réglage est requis, voir la **figure 29**.

7.0 Maintenance

Toute opération d'entretien doit être faite sur un appareil froid !

7.1 Nettoyage et élimination de la suie

Pendant l'utilisation, de la suie peut se déposer sur les surfaces internes du poêle. La suie est un bon isolant. Elle réduit donc le rendement thermique du poêle. Utiliser une brosse métallique pour retirer tout dépôt de suie dans le produit sauf sur les plaques en vermiculite.

Laisser brûler vivement afin d'éviter tout dépôt de goudron et d'eau dans le poêle. Un nettoyage annuel de l'intérieur du poêle est requis pour optimiser le rendement du produit. Cette opération peut être réalisée lors du ramonage des conduits et de la cheminée.

7.2 Ramonage des conduits d'évacuation vers la cheminée

Le ramonage des conduits doit s'effectuer à partir de la trappe de ramonage ou depuis l'intérieur du produit, suivant les pays. Pour cela, un des déflecteurs doit être retiré.

7.3 Inspection du poêle

Jøtul recommande que l'utilisateur contrôle personnellement et soigneusement le poêle suite à une opération de ramonage/nettoyage. Vérifier l'absence de fissures sur toutes les surfaces visibles. Vérifier également l'état et la bonne installation de tous les joints. Tout joint montrant des signes d'usure, de déformation ou de dureté doit être remplacé. Un appareil ne doit jamais fonctionner avec un composant défaillant.

Nettoyer soigneusement les gorges de joint, appliquer de la colle céramique (disponible auprès des distributeurs Jøtul), puis insérer correctement le joint sans tirer dessus. La colle sèche rapidement.

7.4 Entretien de la surface externe

La couleur des produits peints peut se ternir après plusieurs années d'utilisation. Avant d'appliquer une nouvelle couche de peinture, brosser et laver la surface peinte pour en éliminer toutes les particules.

Ne jamais poser aucun objet sur le couvercle du poêle. Ceci peut causer des dommages permanents à la peinture ou l'émail.

8.0 Dysfonctionnements – Causes et dépannages

Tirage faible

Vérifier que la longueur de la cheminée est conforme aux législations et aux réglementations nationales en vigueur. (Voir aussi «2.0 Données techniques».

Vérifier que la section minimale de la cheminée est conforme aux spécifications de la section «2.0 Données techniques» du manuel d'installation.

Vérifier que rien n'empêche l'évacuation des fumées : branches, arbres, etc.

Pour remédier à tout tirage semblant faible ou excessif, demander à un professionnel de vérifier et éventuellement de redimensionner la cheminée.

Le feu s'éteuffe rapidement

- Vérifier que le bois de chauffage est suffisamment sec.
- Vérifier l'absence d'aspiration dans la pièce. Arrêter toute ventilation mécanique et ouvrir une fenêtre à proximité du foyer.
- Vérifier que l'entrée d'air est ouverte.
- Vérifier que le conduit n'est pas obstrué.

Important dépôt de suie sur la vitre

L'accumulation de suie sur la vitre est inévitable, mais la quantité de dépôt varie en fonction :

- Du taux d'humidité du combustible.
- Des conditions locales de tirage.
- Du réglage de l'entrée d'air.

Une grande partie de cette suie est normalement consommée lorsque l'entrée d'air est ouverte à son maximum et en présence d'un feu vif dans le poêle pendant une dizaine de minutes.

9.0 Équipements en option

9.1 Dessus en pierre ollaire : 50 mm, complet

no de cat. 50036901

9.2 Panneaux latéraux en acier, complet

no de cat. 30023272

9.3 Habillage pierre ollaire, complet

no de cat. 50036877

9.4 Ventilateur pour Jøtul F 260

no de cat. 50036914

9.5 Serviteur

no de cat. 50036912

10.0 Recyclage

10.1 Recyclage de l'emballage

- Votre poêle est livré avec les emballages suivants :
- Une palette en bois qui peut être sciée et brûlée dans le poêle.
- Des emballages en carton qui doivent être déposés dans une station de recyclage près de chez vous.
- Des sacs en plastique qui doivent être déposés dans une station de recyclage près de chez vous.

10.2 Recyclage du poêle

Le poêle est composé :

- d'éléments métalliques qui doivent être déposés dans une station de recyclage près de chez vous.
- de verre qui doit être éliminé comme des déchets dangereux. Le verre dans le poêle ne doit pas être placé dans un conteneur de séparation à la source standard.
- de panneaux en vermiculite qui peuvent être déposés dans des conteneurs de déchets classiques.

11.0 Conditions de garantie

Applicables à partir du 1^{er} Septembre 2016 à tout produit Jøtul acheté auprès du réseau de revendeurs agréés Jøtul.

Félicitations pour votre achat d'un appareil Jøtul !

Depuis 1853, Jøtul est un fabricant renommé de foyers, cheminées et inserts durables et d'excellente qualité. La grande qualité de nos produits nous permet d'offrir à nos clients une garantie longue durée, et ce, sans frais supplémentaires.

Notre garantie couvre :

En plus de la garantie légale en vigueur, Jøtul France offre une garantie commerciale étendue à :

- 25 ans à compter de l'achat de l'appareil sur toutes les pièces en fonte des appareils à bûches, si vous enregistrez votre appareil sur le site www.jotul.com/fr dans les 3 mois suivant votre achat. Nous vous conseillons d'imprimer et de conserver votre justificatif d'enregistrement de garantie avec votre preuve d'achat. A défaut d'enregistrement, la garantie commerciale sera de 5 ans à compter de l'achat de l'appareil sur ces mêmes pièces.
- 5 ans sur les pièces en acier des appareils à bûches.

La garantie s'applique uniquement si l'appareil a été installé par un revendeur agréé du réseau Jøtul, conformément à la réglementation en vigueur et aux instructions d'installation et d'utilisation décrites dans le manuel de l'appareil.

Les appareils réparés ou les appareils de remplacement, ne donnent en aucun cas droit à une prolongation de garantie. Ils sont donc garantis pour la durée restante de la garantie initiale.

Notre garantie commerciale ne couvre pas :

- Les pièces d'usure, telles que les composants de la chambre de combustion (déflecteurs, joints, plaques de doublage, etc.), car ces pièces s'usent avec le temps lors d'une utilisation normale,
- Les vitres, la peinture, l'émail, les pierres naturelles, les éléments en béton et tous les revêtements décoratifs,
- Les dommages liés à une mauvaise utilisation : combustible inapproprié ou de mauvaise qualité, surchauffe, défaut d'entretien, non respect des instructions d'utilisation décrites dans le manuel de l'appareil, etc,
- Les dommages liés au transport ou à une mauvaise installation de l'appareil,
- Les cas impliquant des modifications de l'appareil sans le consentement de Jøtul ou l'utilisation de pièces qui ne sont pas d'origine,
- Les frais annexes (frais de port, déplacement, main d'œuvre, etc...), ni les dommages indirects.

La demande de garantie doit être effectuée auprès de votre revendeur agréé du réseau Jøtul, dans les 14 jours suivant la survenance du défaut. Voir liste de nos revendeurs sur notre site internet. Elle doit être accompagnée de votre preuve d'achat de l'appareil (facture) et de votre justificatif d'enregistrement de garantie.

Si Jøtul se trouve dans l'incapacité d'assumer la prise en charge sous garantie de votre appareil, Jøtul remplacera gratuitement votre produit par un appareil de puissance similaire.

Cette garantie est exclusive de toute autre garantie et prévaut sur toute autre garantie accordée par toute autre société du groupe Jøtul.

Índice

Manual de instalación con información técnica

- 1.0 Relación con las autoridades 33
- 2.0 Datos técnicos 33
- 3.0 Seguridad 36
- 4.0 Instalación 37
- 5.0 Uso diario..... 42
- 6.0 Servicio 44
- 7.0 Mantenimiento 46
- 8.0 Problemas de funcionamiento:
Solución de problemas 47
- 9.0 Equipo opcional 47
- 10.0 Reciclaje 48
- 11.0 Términos de la garantía 48

Registre su chimenea en www.jotul.com y disfrute de 25 años de garantía.

1.0 Relación con las autoridades

La instalación de una estufa debe realizarse de acuerdo con los códigos y normativas locales de cada país.

En la instalación de los productos deben cumplirse todas las disposiciones locales, incluidas aquellas referentes a las normas nacionales y europeas.

Antes de la instalación, lea atentamente el manual de Instrucciones para instalación. Antes de utilizar el producto, la instalación debe ser revisada por un técnico cualificado.

Una ficha de producto de material resistente al calor se encuentra en el interior de la base. La placa contiene información de identificación y documentación del producto.

2.0 Datos técnicos

- Material: Hierro fundido
- Acabado: Pintura negra
- Combustible: Madera
- Longitud máx. de los troncos: 33 cm
- Salida de humos: Superior/trasera
- Tamaño del tubo de tiro: Ø150 mm
- Peso: aprox 140 kg
- Peso, laterales de esteatita: aprox 80 kg
- Peso, laterales de acero: aprox 20 kg
- Peso, cubierta superior de esteatita (Equipo opcional): aprox 20 kg
- Equipo opcional: Cubierta laterales de esteatita completo, Paneles laterales de acero completo, Decoración de esteatita completo, ventilator, juego de accesorios.

Dimensiones, distancias: Consulte la **fig. 1a**

Datos técnicos según EN 13240

- Potencia calorífica nominal: 5 kW
- Flujo másico del gas de tiro: 5,0 g/s
- Tiro de chimenea recomendado: 12 Pa
- Eficiencia: 82%@5,9 kW
- Emisión de CO (13% O₂): 0,10%
- Emisión de CO (13% O₂): 1242 mg/Nm³
- Temperatura de gases: 260° C
- Operational type: Intermittent

Aquí, la combustión intermitente supone un uso normal de la estufa. Se prende una nueva cámara de combustión en cuanto el combustible se ha consumido hasta la cantidad de brasas apropiada.

Todos nuestros productos presentan una etiqueta que indica el año y el número de serie. Anote este número en el lugar que se indica en las instrucciones de instalación.

Mencione siempre el número de serie al ponerse en contacto con Jøtul o con su distribuidor.

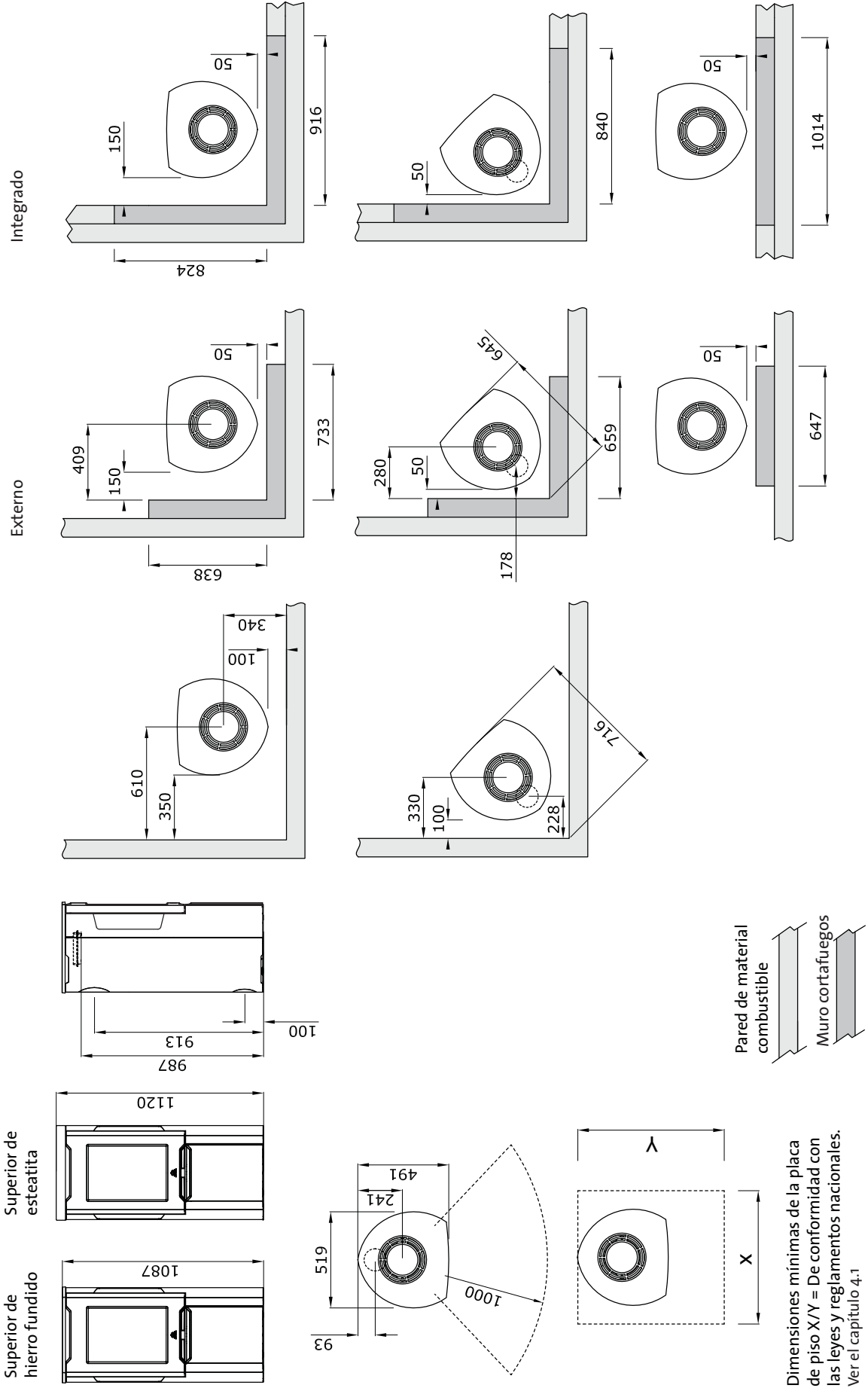
Product: Jøtul Room heater fired by solid fuel			
Standard: Minimum distance to adjacent combustible materials: Emission of CO in combustion products: Flue gas temperature: Nominal heat output: Efficiency: Operation range: Fuel type: Operational type: The appliance can be used in a shared flue.			
Country	Classification	Certificate/standard	Approved by
Norway	Klasse II		
Sweden	etc.	SP Sveriges Provnings- och Forskningsinstitut AB	
EUR	Intermittent	EN	SP-Svecon National Testing and Research Institute
Follow user's instructions. Use only recommended fuels. Montage- und Bedienungsanleitung beachten. Verwenden Sie nur empfohlenen Brennstoffen. Respectez les consignes d'utilisation. Utilisez uniquement les combustibles recommandés.			
Serial no. Y-xxxx. Year: 200x			
Manufacturer: Jøtul AS POB 1 041 N-1602 Fredrikstad Norway			221546 <div style="border: 1px solid black; width: 40px; height: 20px; margin-top: 5px;"></div>

Serial no.

Jøtul F 262 / F 263

Fig. 1

Distancia mínima a una pared de material inflamable:
Distancia mínima a una pared de material combustible protegida con cortafuegos:



900085-Po4

Entrada de aire exterior

En las viviendas bien aisladas, es necesario contar con una buena renovación del aire de combustión. Este punto es particularmente importante en las casas con ventilación mecánica. El aire de renovación se puede obtener de varias maneras. Lo más importante es que la estancia en la que se encuentre la estufa reciba un suministro de aire adecuado. Coloque el regulador de entrada de aire exterior tan cerca de la estufa como sea posible y asegúrese de mantenerlo cerrado cuando la estufa esté apagada.

Respete la normativa nacional y local al instalar la conexión de aire exterior.

Compruebe que el sistema de ventilación de la habitación en la que va a instalar la hogar no está bloqueado.

Sistema de combustión cerrada

Si la vivienda es de reciente construcción y cuenta con buenos cerramientos, utilice el sistema de combustión cerrada de la estufa. Conecte la entrada de aire de combustión exterior mediante un tubo de ventilación que entre por la fachada o el suelo.

Suministro de aire

El volumen de aire de combustión para los productos de Jøtul es de aproximadamente 20-40 m³/h. La conexión de aire exterior debe conectarse directamente a del producto a través de:

- a través de un tubo flexible desde el exterior/chimenea (solo si la chimenea tiene su propio conducto para aire externo) y al conector de aire externo del producto.

Fig. 2A, a través de una pared exterior

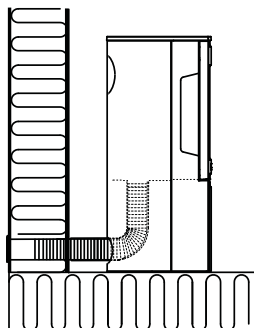


Fig. 2B, a través de la placa de piso y el suelo

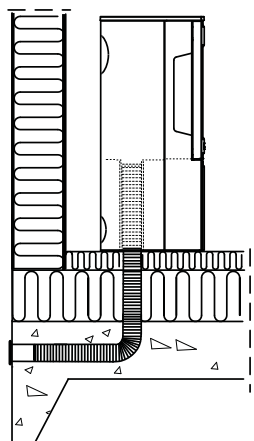


Fig. 2C, a través del suelo y el zócalo

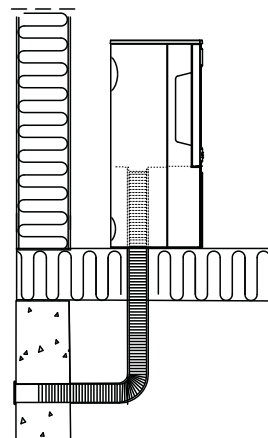
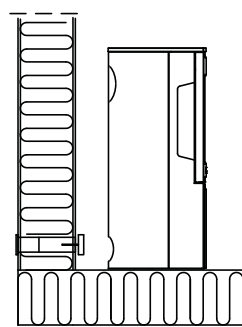


Fig. 2D, indirectamente a través de una pared exterior



3.0 Seguridad

N. B.: para garantizar un rendimiento y seguridad óptimos, las estufas Jøtul deben ser instaladas por un instalador cualificado.

Cualquier modificación del producto por parte del distribuidor, instalador o usuario puede motivar que el producto y sus prestaciones de seguridad no funcionen del modo previsto. Esto también se aplica a la instalación de accesorios o extras opcionales suministrados por terceros. Lo mismo puede suceder si se desmontan o retiran componentes esenciales para el funcionamiento y la seguridad de la estufa.

En cualquier caso, el fabricante no se hará responsable del producto y el derecho a realizar una reclamación quedará anulado y sin validez.

3.1 Medidas de prevención de incendios

Existe un cierto elemento de riesgo cada vez que se usa la estufa. Por lo tanto, deben respetarse las siguientes instrucciones:

- Las distancias mínimas de seguridad al utilizar la estufa se muestran en la **fig. 1**. La distancia especificada a los materiales combustibles se aplica a este horno. El horno debe instalarse con tubos de humos con aprobación CE. La distancia entre el tubo de humos y materiales combustibles tiene también que considerarse.
- Asegúrese de que no haya muebles ni otros elementos inflamables demasiado cerca de la estufa. Los elementos inflamables no deberían estar a menos de 1000 mm de la estufa.
- Deje que el fuego se consuma por sí solo. Nunca apague las llamas con agua.
- La estufa se calienta cuando está encendida y puede causar quemaduras si se toca.
- Saque las cenizas solo con la estufa fría. Las cenizas pueden contener rescoldos calientes y, por lo tanto, deberán ponerse en un recipiente no inflamable.
- Las cenizas deberán sacarse al exterior o vaciarse en un lugar donde no supongan un riesgo de incendio.

Si se produce un incendio en la chimenea:

- Cierre todas las trampillas y los respiraderos.
- Cierre la puerta de la estufa.
- Compruebe si hay humo en el sótano y en la buhardilla.
- Llame a los bomberos.
- Después de producirse un incendio, un experto deberá comprobar la estufa y la chimenea antes de utilizarse para asegurar que funciona correctamente.

3.2 Suelo

Base

Compruebe que el suelo sea lo bastante sólido para la estufa. Compruebe el peso en «**2.0 Información técnica**». Se recomienda retirar durante la instalación el piso que no esté fijado a la base (el llamado piso flotante).

Protección de suelos de material inflamable

El producto tiene una placa inferior estanca, de modo que no se requiere una cubierta adicional del piso bajo el producto.

Si el suelo de debajo de la estufa está revestido de un material combustible, como linóleo, alfombras, etc, recomendamos retirarlo.

Placa base

En frente de la estufa se coloca una placa de acero o de otro metal no inflamable (complemento opcional).

La placa base debe ajustarse a las leyes y normas nacionales.

Consulte a la autoridad local competente en materia de construcción sobre posibles restricciones y requisitos de instalación.

3.3 Paredes (fig. 1a)

Distancia hasta una pared de material inflamable

Distance to wall with insulated flue pipe: See **fig. 1a**.

Distancia hasta paredes cubiertas por un cortafuegos

Consulte a la autoridad local competente en materia de construcción sobre posibles restricciones y requisitos de instalación.

Requisitos del cortafuegos

El cortafuegos debe tener un grosor de al menos 100 mm y estar hecho de ladrillo, bloques de hormigón u hormigón ligero. También podrán emplearse otros materiales y construcciones con documentación satisfactoria.

Distancia hasta paredes de material no inflamable

Por pared de material no inflamable nos referimos a un muro sin carga de hormigón/ladrillos.

Consulte a la autoridad local competente en materia de construcción sobre posibles restricciones y requisitos de instalación.

3.4 Techo

Entre la estufa y el techo combustible debe mediar una distancia mínima de **1.000 mm**.

4.0 Instalación

El producto se entrega en al menos 2 paquetes.

Nota: compruebe que la estufa no presente daños antes de comenzar su instalación.

¡El producto es pesado! Asegúrese de contar con ayuda para montar e instalar la estufa.

Asegúrese de que los muebles y otros enseres estén a una distancia de la estufa que evite que se sequen con el calor.

4.1 Chimeneas y tubos de tiro

- La estufa puede conectarse a una chimenea y tubo de tiro homologados para estufas de combustible sólido con temperaturas de tiro conforme a lo especificado en «2.0 Información técnica».
- La sección de la chimenea debe ser al menos igual de grande que la sección del tubo de tiro. Consulte «2.0 Información técnica» para calcular la sección correcta de chimenea.
- Si la sección de la chimenea es suficiente, se pueden conectar varios dispositivos de combustible sólido a la misma chimenea.
- La conexión a la chimenea debe realizarse de acuerdo con las instrucciones de instalación del proveedor de la chimenea.
- Antes de practicar un orificio en la chimenea, debe instalarse provisionalmente la estufa para marcar correctamente la posición de la estufa y del orificio de la chimenea. Véase la **fig. 1** para determinar las dimensiones mínimas.
- Compruebe que el tubo de tiro esté inclinado a lo largo de la chimenea.
- Use un codo del tubo de tiro con una trampilla que permita su deshollinado.

Tenga en cuenta el hecho de que es especialmente importante que las conexiones tengan una cierta flexibilidad para evitar que el movimiento en la instalación produzca grietas.

Nota: es muy importante para el funcionamiento del producto disponer de una conexión correcta y sellada.

Corriente de chimenea: consulte «2.0 Información técnica». Si la corriente es demasiado fuerte, instale y opere un regulador del tiro al objeto de controlar la corriente.

4.2 Desmontar el mecanismo de cierre automático de la puerta

El producto incluye un mecanismo de cierre automático de la puerta preinstalado, que puede desmontar si lo desea.

Fig. 3

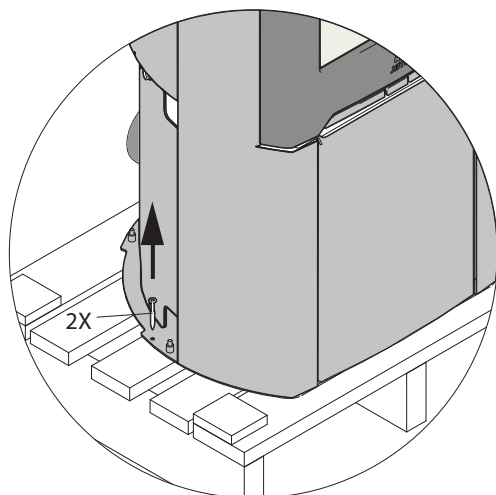
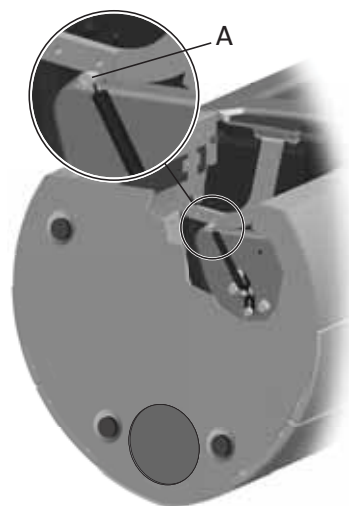


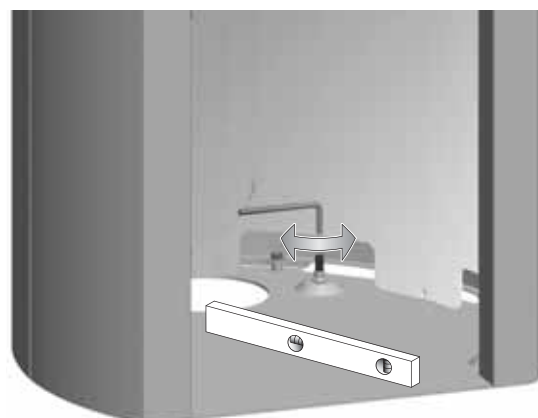
Fig. 3a



1. Quite el tornillo y la tuerca (Fig. 3 A).
2. Suelte y retire el muelle.

4.3 Nivelado de la estufa

Fig. 3b



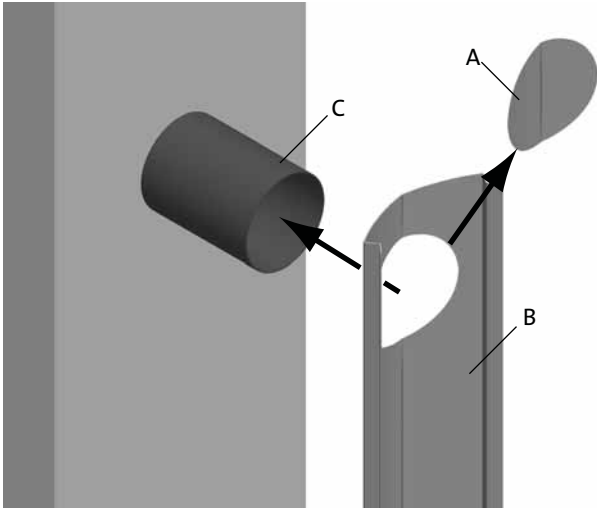
4.4 Ajuste de la tubería de humos para salida posterior

El producto se suministra de fábrica con la salida de humos en configuración de salida superior.

Nota: Siga las instrucciones siguientes para instalaciones con salida posterior:

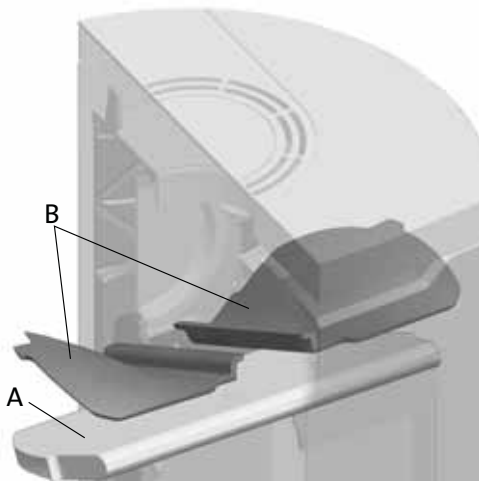
Fig. 4

Si la instalación va a llevar paneles laterales de esteatita, es necesario preparar la placa trasera (fig. 4 B) antes de colocar el producto en su posición definitiva.



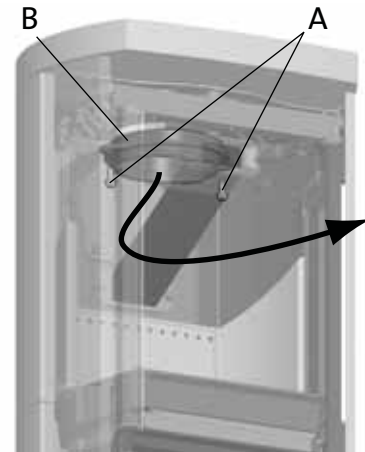
1. Quite la chapa de cierre desmontable (fig. 4 A) de la placa trasera (fig. 4 B).
2. Encaje con cuidado la placa trasera en el tubo de humos (fig. 4 C).
3. Coloque el producto en la posición correcta (consulte la fig. 1a).

Fig. 5



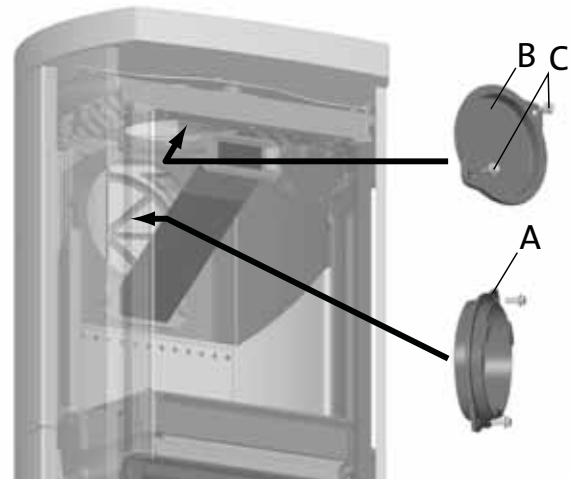
1. Levante con cuidado la placa deflectora (fig. 5 A).
2. Quite una de las placas de combustión laterales levantándola un poco y sacándola. (Tenga en cuenta que si utiliza herramientas, las placas de vermiculita pueden sufrir daños por una manipulación descuidada).
3. Retire la placa deflectora.
4. Quite la otra placa de combustión lateral.
5. Retire los deflectores de escape (fig. 5 B).

Fig. 6



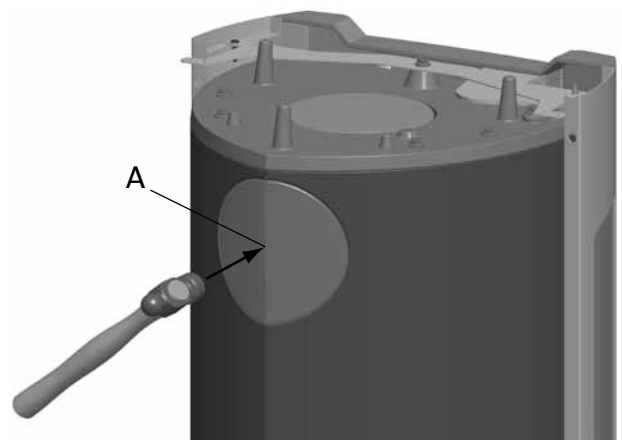
6. Desatornille los tornillos (fig. 6 A) y retire la salida de humos (fig. 6 B) de su posición superior en la cámara de combustión.

Fig. 7



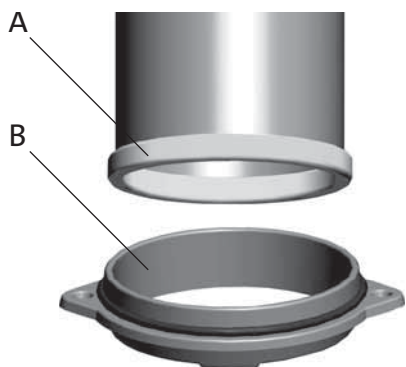
1. Desatornille los tornillos (fig. 6a C) y retire la tapa (fig. 6a B) de la salida posterior en la cámara de combustión.

Fig 8



1. Rompa las tapas marcadas (fig. 8 A).
2. Coloque la salida de humos (fig. 7 A) desde el interior de la cámara de combustión en el lugar donde estaba la tapa.
3. Instale la tapa (fig. 7 B) en el lugar donde estaba la salida de humos
4. Y por último vuelva a colocar los deflectores de humos (fig. 5 B) y la placa deflectora (fig. 5 A).

Fig. 9

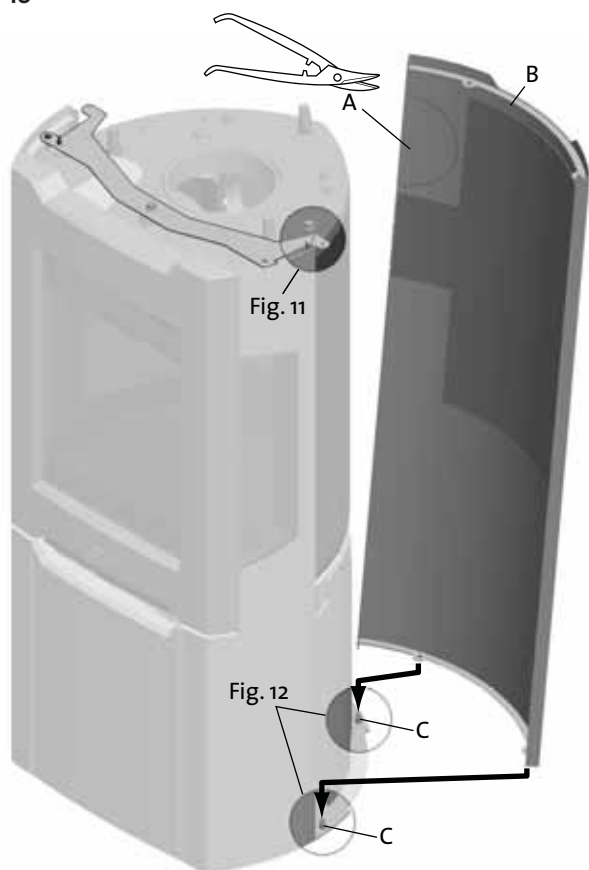


1. Coloque la junta (fig. 9 A) que encontrará en la bolsa de tornillos alrededor del borde del tubo de tiro e introdúzcalo en la salida de humos (fig. 9 B).

4.5 Montaje de los paneles laterales

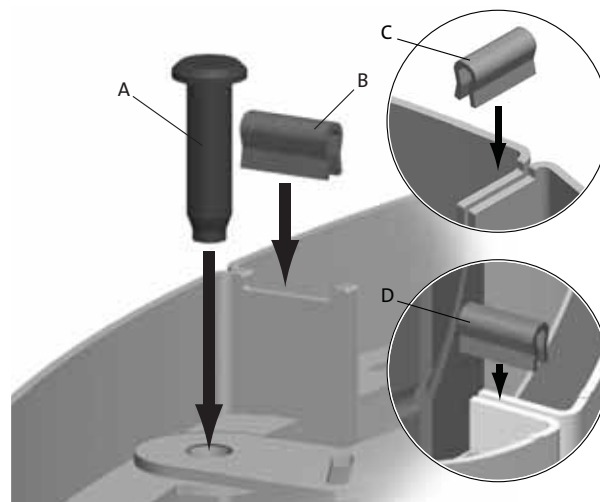
Paneles laterales de acero

Fig. 10



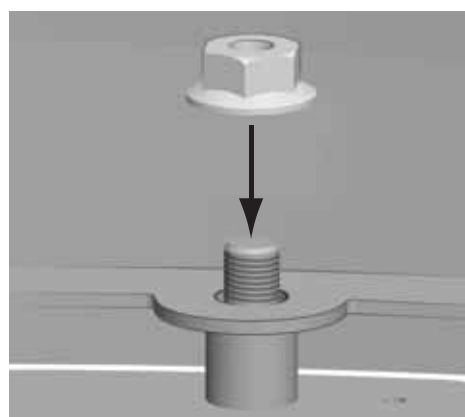
1. **Con salida de humos posterior:** Utilice una herramienta adecuada para quitar la chapa de cierre (fig. 10 A) del panel lateral (fig. 10 B).
2. Levante el panel lateral y bájelo de modo que enganche en los tornillos (fig. 10 C y Fig. 12).
3. Monte el otro panel lateral del mismo modo.

Fig. 11



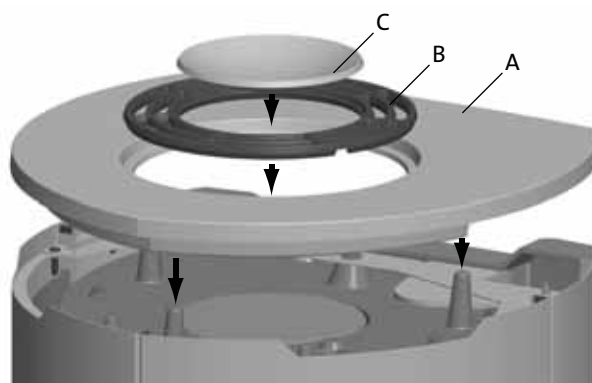
1. Monte los pasadores (fig. 11 A) y los enganches (fig. 11 B).
2. Sujete entre sí los dos paneles con un enganche (fig. 11 C).
3. **Con salida de humos posterior:** Ponga un enganche adicional en la parte inferior de la abertura (fig. 11 D).

Fig. 12



1. Ponga las tuercas desde el interior de la base.

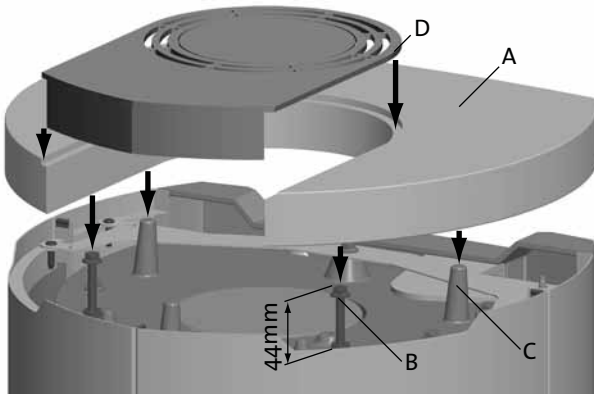
Fig. 13



1. Ponga la placa superior (fig. 13 A), la rejilla de aire (fig. 13 B) y el cuenco (fig. 13 C).

Con placa superior de esteatita:

Fig. 14



1. Cambie los tornillos por los tornillos con tuerca suministrados (fig. 14 B).
2. Ponga la placa superior de esteatita (fig. 14 A) sobre los tornillos (fig. 14 B) y los pernos guía (fig. 14 C).
3. Ajuste los tornillos (fig. 14 B) hasta que la placa de esteatita esté nivelada.
4. Ponga la tapa de acero (fig. 14 D).

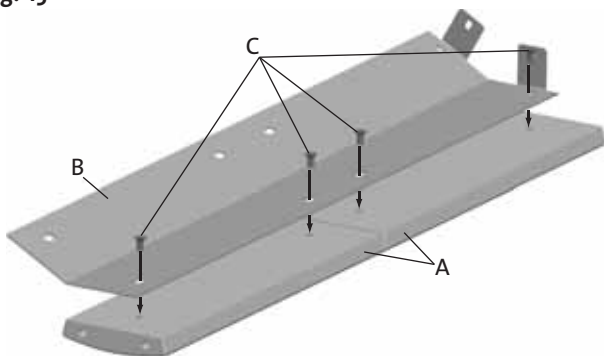
Paneles laterales de esteatita (Equipo opcional)

¡Importante!

Recuerde que las piedras pueden resultar dañadas si no se manipulan con cuidado. Sólo un técnico cualificado debe llevar a cabo la instalación.

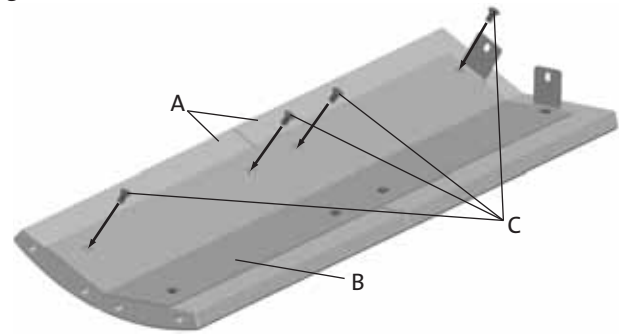
Si la salida de humos es por la parte posterior, es preciso preparar la placa trasera como se muestra en la figura 4.

Fig. 15



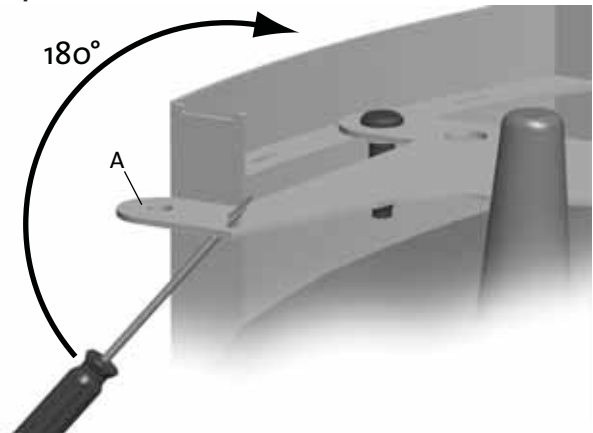
1. Con cuidado, ponga 2 piezas de esteatita en el suelo (fig. 15 A).
2. Monte la pieza de unión (fig. 15 B) con 4 tornillos (fig. 15 C). No apriete los tornillos todavía.

Fig. 16



1. Sujete las otras dos piezas de esteatita (fig. 16 A) a la pieza de unión (Fig. 16 B) con otros 4 tornillos (fig. 16 C). No apriete los tornillos todavía.

Fig. 17

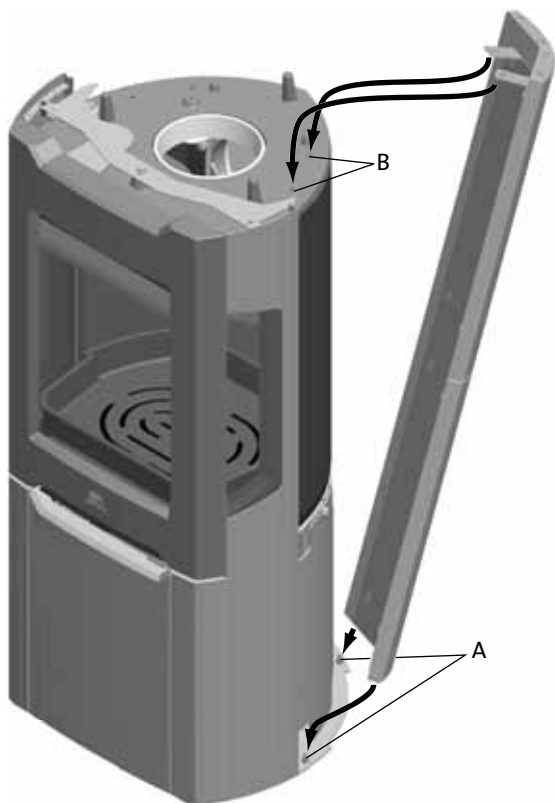


1. Doble hacia arriba el extremo del soporte (fig. 17 A).

Con salida de humos posterior:

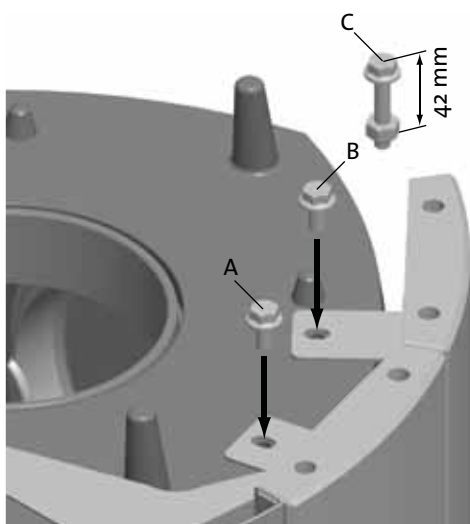
Coloque la placa trasera (fig. 4 B) y móntela temporalmente como se indica en la figura 21.

Fig. 18



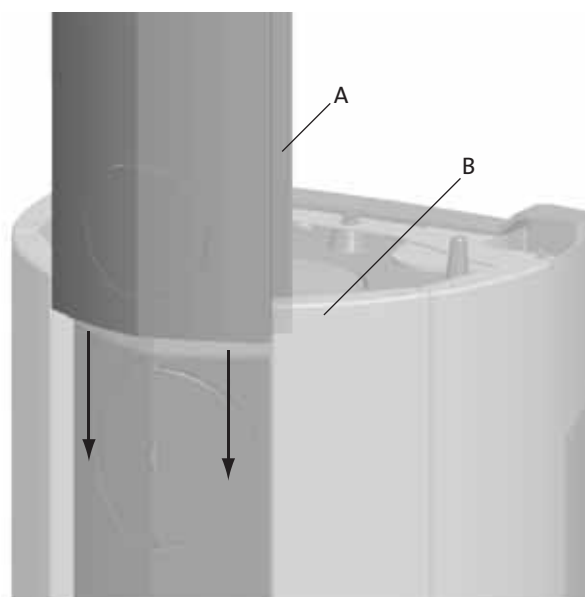
1. Levante con cuidado el panel lateral de esteatita.
2. Ajuste la posición de la esteatita y apriete los tornillos.
3. Levante el panel de esteatita y bájelo con cuidado de modo que encaje en los tornillos (fig. 18 A).
4. Empuje la parte superior del panel lateral de esteatita contra la cámara de combustión (fig. 18 B).

Fig. 19



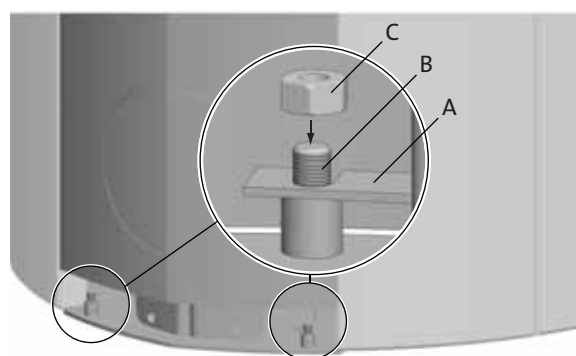
1. Sujete el panel lateral de esteatita a la cámara de combustión con los tornillos (fig. 19 A y B).
2. **Con placa superior de esteatita:** Cambie los tornillos (fig. 19 B) por los tornillos con tuerca suministrados (fig. 19 C).
3. Monte el otro panel lateral de esteatita del mismo modo.

Fig. 20



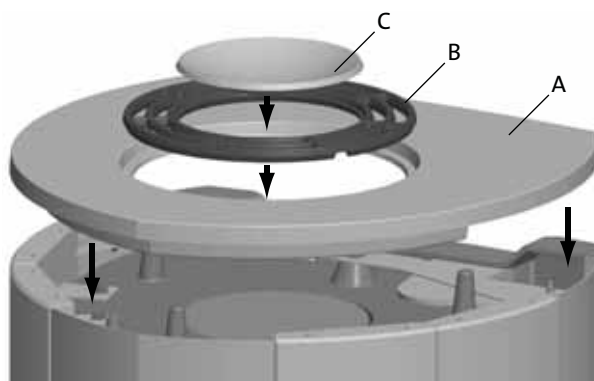
1. Levante la placa trasera (fig. 20 A) y deslicela hasta abajo entre los paneles laterales de esteatita (fig. 20 B).

Fig. 21



1. Baje la placa trasera (fig. 21 A) de modo que encaje en los tornillos (fig. 21 B).
2. Ponga las tuercas desde el interior de la base (fig. 21 C).

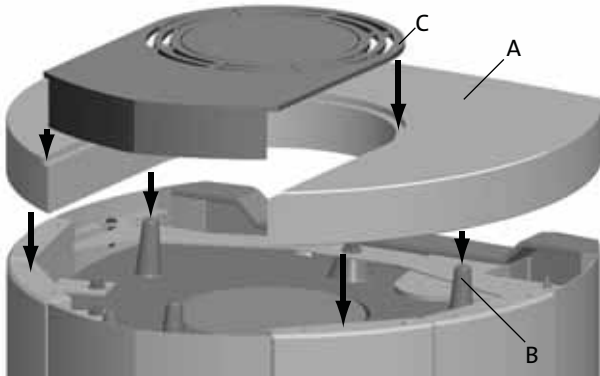
Fig. 22



1. Ponga la placa superior (fig. 22 A), la rejilla de aire (fig. 22 B) y el cuenco (fig. 20 B).

Con placa superior de esteatita:

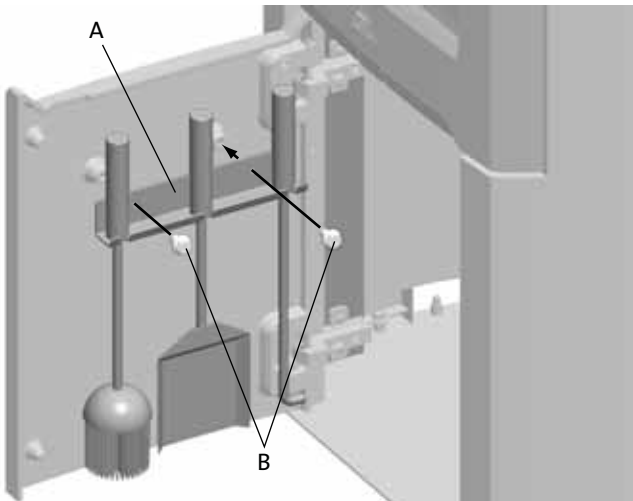
Fig. 23



1. Ponga la placa superior de esteatita (fig. 23 A) sobre los pernos guía (fig. 23 B).
2. Ponga la tapa de acero (fig. 23 C).

4.6 Montaje del juego de accesorios (equipo opcional)

Fig. 24



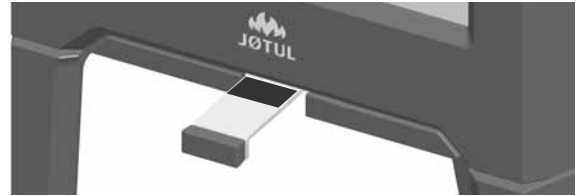
1. Monte el soporte (fig. 24 A) en la puerta con los tornillos (fig. 24 B).

4.7 Control de las funciones

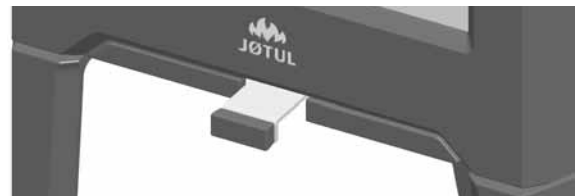
Una vez instalado el producto, compruebe siempre las funciones de control. Deben moverse sin problemas y funcionar correctamente.

El producto está equipado con un tirador que controla tanto el respiradero de encendido como el de circulación de aire.

- Totalmente fuera (etiqueta visible): encendido.



- Hacia dentro (etiqueta no visible): circulación de aire.



5.0 Uso diario

Olores al usar la estufa por primera vez

Cuando se usa la estufa por primera vez, puede emitir un gas irritante que huele ligeramente. Esto ocurre debido a que se seca la pintura. El gas no es tóxico, pero la habitación deberá ventilarse completamente. Deje que el fuego arda con mucha corriente hasta que haya desaparecido todo rastro del gas y no sea posible detectar humo ni olores.

5.1 Funcionamiento

Consejos de calentamiento

Nota: Los troncos que se hayan almacenado en el exterior o en una habitación fría deberán meterse al interior 24 horas antes de usarlos para que alcancen la temperatura ambiente.

Hay varias formas de calentar la estufa, pero siempre es importante tener cuidado con lo que introduce en ella. Consulte la sección sobre "Calidad de la madera".

Calidad de la madera

Por madera de calidad nos referimos a los tipos más conocidos de madera, como abedul, picea y pino.

Los troncos deben secarse de forma que su contenido en humedad no supere el 20 %.

Para esto, los troncos deben cortarse a finales del invierno. Deben partirse y apilarse de forma que se garantice una buena ventilación. Las pilas de madera deben estar cubiertas para proteger los troncos de la lluvia. Los troncos deben ponerse a cubierto a principios del otoño y apilarse para utilizarlos en el próximo invierno.

Tenga cuidado especialmente de no usar nunca los siguientes materiales como combustible en su estufa:

- Basura doméstica, bolsas de plástico, etc.
- Madera pintada o impregnada (*que es extremadamente tóxica*).
- Planchas de madera laminada.
- Restos de madera

Pueden dañar el producto y también son contaminantes.

Nota: Nunca use gasolina, parafina, alcohol desnaturalizado o líquidos similares para encender el fuego. Puede sufrir lesiones graves y ocasionar serios daños al producto.

Consumo de madera

Uso de madera con emisión calorífica nominal: aprox. **1,6 kg/h**. Otro factor importante para un consumo de combustible apropiado es que los troncos sean del tamaño correcto. El tamaño de los troncos deberá ser:

Inflamación:

Longitud: 23 - 33 cm

Diámetro: 2 - 5 cm

Número por fuego: 6 - 8 piezas

Utilización habitual

Leña (troncos partidos):

Longitud: 23 - 33 cm

Diámetro: 8 cm aprox.

Intervalo de adición de leña: aproximadamente cada 45 minutos

Tamaño del fuego: 1,2 kg

Cantidad por carga: 2 piezas

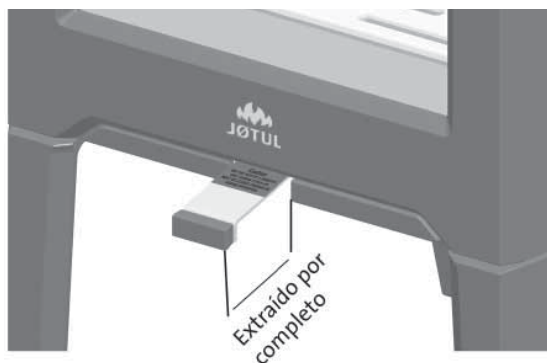
La emisión calorífica nominal se obtiene al abrir el respiradero cerca de un 57 %.

Utilización máxima carga

Máxima carga: 2,9 kg/h (máximo 3 leños / 2,2 Kg por carga).

Encendido

Fig. 25



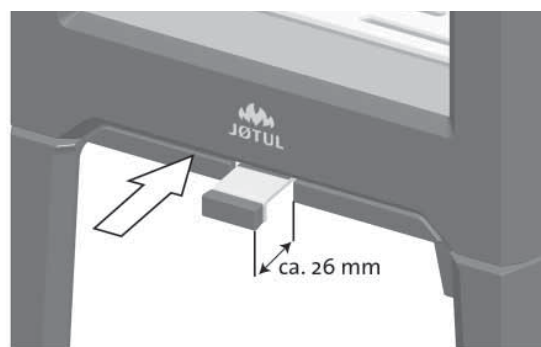
- Abra el respiradero de aire y el respiradero de encendido tirando de los manillares hasta el tope. (Use un guante o algo similar para protegerse la mano en caso de que los manillares estén calientes).



- Coloque dos troncos en la parte inferior de la cámara de combustión y apile las astillas para encender en capas.
- Por último, ponga un tronco de tamaño medio en la parte superior de la pila.
- Ponga 2 ó 3 briquetas o astillas para encender debajo de la capa superior de astillas y encienda el fuego.

Calefacción

Fig. 26



- Deslice el respiradero de aire/encendido (**fig. 26**) hasta extenderlo unos 24 mm cuando la leña haya encendido correctamente y arda bien.
- Cierre la puerta.
- Entonces podrá regular el régimen de combustión para obtener el calor que desee ajustando el respiradero.
- Compruebe que se inicia la postcombustión (combustión secundaria). Se indica mediante llamas amarillas que bailan delante de los agujeros debajo de la placa deflectora.
- Si el caudal de aire es normal, podrá cerrar la puerta y el fuego se mantendrá por sí mismo.

Añadir madera

Avive la estufa con frecuencia pero añada solo una pequeña cantidad de leña en cada ocasión. Si la estufa está demasiado llena, el calor generado podría causar una elevada tensión en la chimenea. Añada combustible al fuego con moderación. Evite el fuego sin llama, pues es el que produce más contaminación. El fuego irá mejor cuando arda bien y el fuego que salga por la chimenea sea casi invisible.

5.2 Peligro de sobrecalentamiento

La estufa no debe usarse nunca de manera que se sobrecaliente

Se produce sobrecalentamiento cuando hay demasiado combustible y/o demasiado aire y se produce demasiado calor. Un signo seguro de sobrecalentamiento es cuando partes de la estufa se ponen al rojo. Si sucede esto, reduzca de inmediato la abertura del respiradero.

Solicite la ayuda de un profesional si sospecha que la corriente de la chimenea no es correcta (demasiada corriente o demasiado poca).

5.3 Retirada de cenizas

El producto está equipado con una bandeja de cenizas que permite retirar las cenizas con facilidad.

Use el juego de útiles (Fig. 24)

Aviso: El juego de útiles puede estar caliente.

Fig. 27



1. Empuje las cenizas a través de la rejilla (fig. 27 A) de la placa inferior y en la bandeja de cenizas. Use un guante para sujetar el asa de la bandeja de cenizas.
2. Compruebe que la bandeja de cenizas no se llene tanto que impida que la ceniza caiga en ella a través de la rejilla.

6.0 Servicio

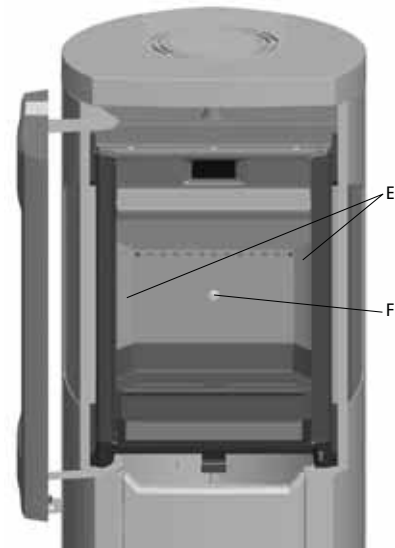
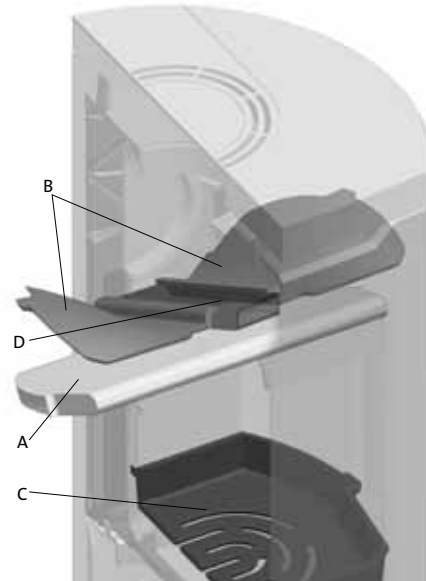
¡Advertencia! Se prohíbe cualquier modificación no autorizada del producto.

Utilice piezas de repuesto originales únicamente.

¡Todo el mantenimiento se hará con la estufa apagada y fría!

6.1 Sustitución de las placas de combustión/placa inferior interna

Fig. 28



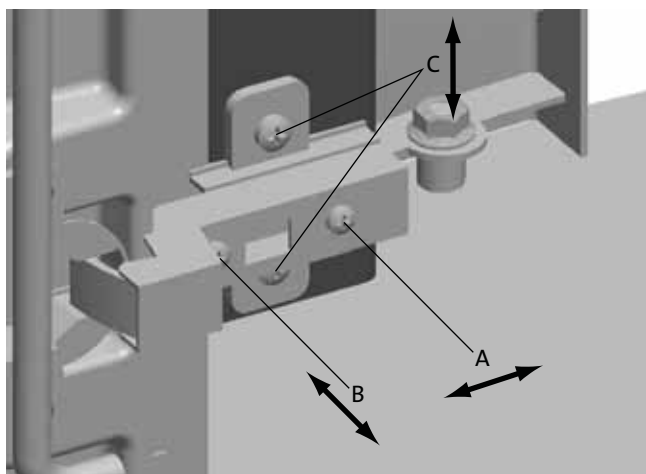
1. Levante con cuidado la placa deflectora (fig. 28 A).
2. Quite una de las placas de combustión laterales (fig. 28 E) levantándola un poco y sacándola. (Tenga en cuenta que si utiliza herramientas, las placas de vermiculita pueden sufrir daños por una manipulación descuidada).
3. Retire la placa deflectora.
4. Quite la otra placa de combustión lateral.
5. Desatornille el tornillo M8x25 mm en la placa de combustión trasera (fig. 28 F) y retire la placa de combustión.
6. Después, levante y retire la placa inferior interna (fig. 28 C). Siga el mismo procedimiento para la instalación, pero a la inversa.

6.2 Sustitución de la placa deflectora

- Realice los pasos 1-3 indicados bajo la **fig. 28**.
 - Así podrá acceder fácilmente a los deflectores (**fig. 28 B**) si es necesario quitarlos. Van apoyados en un saliente del lateral y en el colector de aire (**fig. 28 D**).
 - Inclínelos hacia abajo y sáquelos por la puerta..
- Para la reinstalación, siga el mismo procedimiento pero a la inversa.

6.3 Ajuste de la puerta

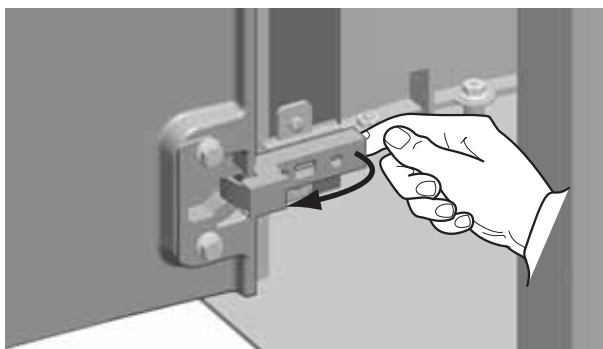
Fig. 29



6.4 Cambio del cristal de los paneles laterales

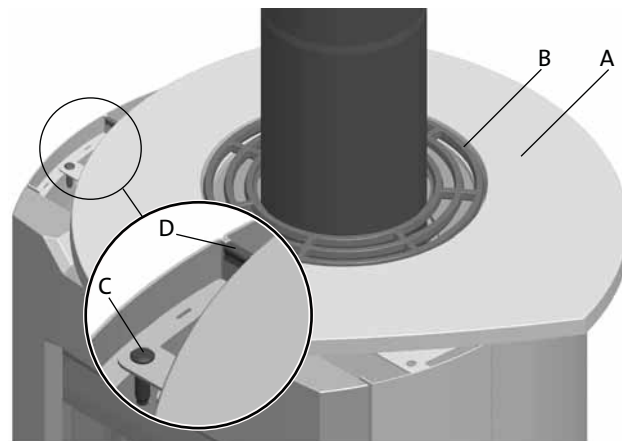
Si es necesario, los cristales de los paneles laterales se pueden cambiar.

Fig. 30



1. Quite la puerta empujando el extremo de la bisagra.

Fig. 31



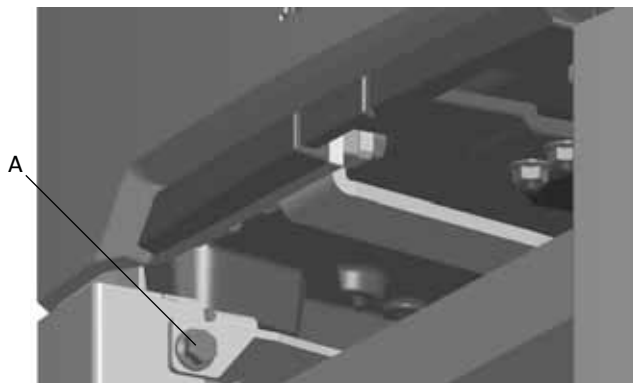
Con salida de humos posterior:

2. Levante con cuidado la placa superior (**fig. 31 A**), la rejilla (**fig. 31 B**) y el cuenco.
3. Quite el pasador (**fig. 31 C**) y el enganche (**fig. 31 D**).

Con salida de humos superior:

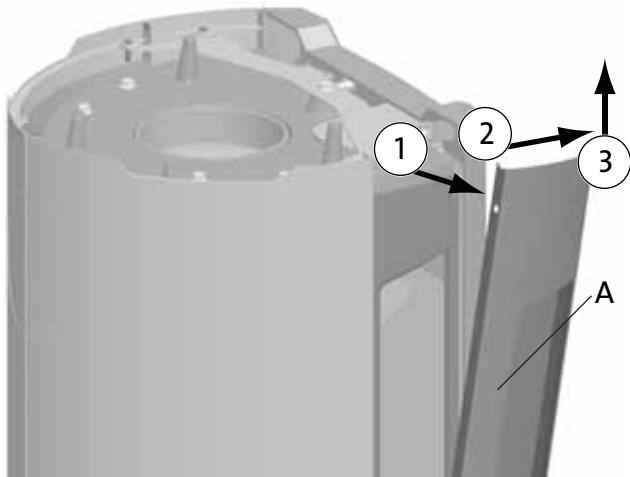
1. Levante con cuidado la placa superior (**fig. 31 A**) y la rejilla (**fig. 31 B**).
2. Gire la placa superior y la rejilla unos 60°.
3. Deje que la placa superior y la rejilla apoyen en la estufa.
4. Quite el pasador (**fig. 31 C**) y el enganche (**fig. 31 D**).

Fig. 32



1. Quite el tornillo (**fig. 32 A**) desde el interior de la base.

Fig. 33



1. Tire del panel lateral hacia fuera (fig. 33 A).
2. Incline el panel lateral suavemente hacia delante.
3. Levante el panel lateral y sáquelo.
4. Cambie el cristal y la junta.

Para volver a montar el panel, repita el mismo procedimiento en orden inverso.

6.5 Recolocación de la puerta

Fig. 34

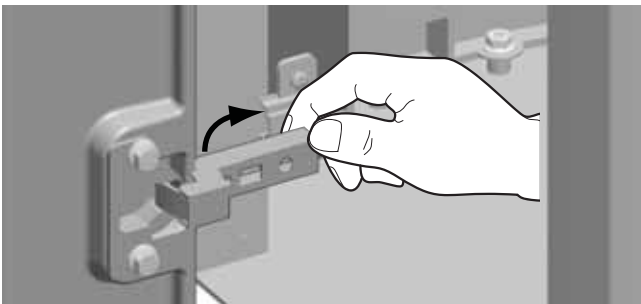
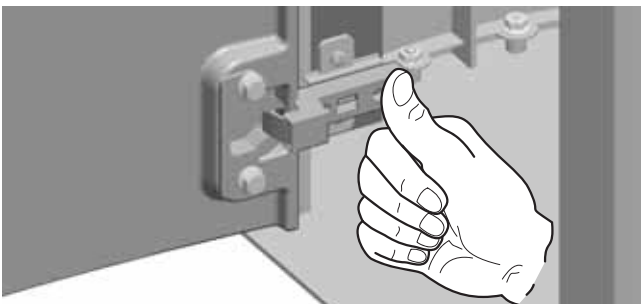


Fig. 35



Si es necesario ajustarla, consulte la figura 29.

7.0 Mantenimiento

¡Todo el mantenimiento se hará con la estufa apagada y fría!

7.1 Limpieza y retirada del hollín

Pueden acumularse depósitos de hollín en las superficies internas de la estufa durante el uso. El hollín es un buen aislante y, por tanto, reducirá la potencia calorífica de la estufa. Si se acumulan depósitos de hollín mientras usa el producto, puede eliminarlos fácilmente mediante un limpiador de hollín.

Para evitar que se forme una capa de agua y alquitrán en la estufa, debe dejar que el fuego arda con intensidad regularmente para eliminar la capa. Es necesario realizar una limpieza interna anual para obtener el mejor rendimiento térmico del producto. Es buena idea hacerlo al limpiar la chimenea y los tubos de tiro.

7.2 Deshollinar los tubos de tiro en la chimenea

Los tubos de tiro deben deshollinarse a través de la trampilla del tubo de tiro o a través de la abertura de la puerta.

Será necesario desmontar primero una de las placas deflectoras para poder hacerlo.

7.3 Inspección de la estufa

Jøtul le recomienda que inspeccione detenidamente la estufa después de limpiarla/deshollinarla. Revise todas las superficies visibles en busca de grietas. Compruebe también que estén selladas todas las uniones y que todas las juntas estén en la posición correcta. Será necesario sustituir cualquier junta que presente signos de desgaste o deformación.

Limpie cuidadosamente las ranuras de la junta, aplique adhesivo cerámico (disponible en su distribuidor de Jøtul más cercano) y coloque la junta en su sitio apretando bien. La unión se secará con rapidez.

7.4 Mantenimiento exterior

Los productos pintados pueden cambiar de color tras varios años de uso. Deberá limpiarse y cepillarse la superficie para retirar cualquier partícula suelta antes de aplicar pintura nueva.

¡Importante! No ponga nada encima de la estufa, podría causar daños permanentes a la pintura o el esmalte.

8.0 Problemas de funcionamiento: solución de problemas

Poco tiro

Compruebe la longitud de la chimenea y que cumple los requisitos y normativas nacionales. (Consulte también la información de la secciones «2.0 Información técnica». Compruebe que la sección transversal mínima de la chimenea corresponde a lo indicado en la sección «2.0 Información técnica».

Cerciórese que no hay ningún obstáculo que impida el escape de los gases: ramas, árboles, etc.

Si sospecha que el tiro de la chimenea es excesivo o escaso, solicite ayuda profesional para su medición y ajuste.

La llama se extingue transcurrido un tiempo

- Asegúrese de que la leña está suficientemente seca.
- Averigüe si existe presión negativa en la vivienda, apague los sistemas de ventilación mecánicos y abra una ventana cercana a la estufa.
- Compruebe que el respiradero está abierto.
- Compruebe que la toma de la salida de humos no está obstruida con hollín.

Se acumula una cantidad anormal de hollín en el cristal

Siempre se adherirá algo de hollín al cristal, pero la cantidad depende de:

- Humedad del combustible.
- Las condiciones de tiro locales.
- Apertura del respiradero de ventilación.

La mayor parte del hollín se suele quemar cuando se abre completamente el respiradero de ventilación y arde un fuego vivo en la estufa.

9.0 Equipo opcional

9.1 Cubierta superior de esteatita - 50 mm, completa

N.º cat. 50036901

9.2 Paneles laterales de acero, completo

N.º cat. 30023272

9.3 Decoración de esteatita, completo

N.º cat. 50036877

9.4 Ventilador para Jøtul F 260

N.º cat. 50036914

9.5 Juego de accesorios

N.º cat. 50036912

10.0 Reciclaje

10.1 Reciclaje del embalaje

- Su estufa se entrega con el siguiente embalaje:
- Un palé de madera que puede cortarse y quemarse en la estufa.
- Embalaje de cartón que debe llevarse a un punto de reciclaje local.
- Bolsas de plástico que deben llevarse a un punto de reciclaje local.

10.2 Reciclaje de la estufa

La estufa se compone de:

- Metal que debe llevarse a un punto de reciclaje local.
- Cristal que debe desecharse como un residuo peligroso. El cristal de la estufa no debe depositarse en un contenedor de separación convencional.
- Placas de combustión de vermiculita que pueden desecharse en contenedores de desechos convencionales.

11.0 Términos de la Garantía

1. Nuestra garantía cubre:

Jøtul AS garantiza que las partes exteriores de hierro fundido están libres de defecto en materiales o fabricación en el momento de la compra. Usted puede extender esta garantía sobre las piezas exteriores de fundición hasta 25 años desde la fecha de entrega del producto registrándolo en jotul.com, e imprimiendo la tarjeta de ampliación de la garantía en un plazo de tres meses a contar desde la fecha de compra. Recomendamos conservar la tarjeta de garantía junto con el justificante de compra. Jøtul AS también garantiza que las piezas de acero están libres de defectos de material o fabricación en el momento de la compra y durante un período de 5 años a partir de la fecha de entrega.

La garantía solamente tendrá validez si la instalación de la estufa se encarga a un instalador cualificado y se realiza con arreglo a la normativa en vigor y siguiendo las instrucciones de instalación y funcionamiento de Jøtul. Los productos reparados y las piezas sustituidas estarán garantizados durante el tiempo que quede de la garantía original.

2. La garantía no cubre:

- 2.1. Los daños en las piezas de desgaste, como placas de combustión, rejillas, deflectores de humos, juntas y similares, puesto que se deterioran con el tiempo debido al uso normal.
- 2.2. Los daños derivados de un mantenimiento inadecuado, sobrecalentamiento o uso de combustibles inadecuados (ejemplos de combustible inadecuado son entre otros: restos de madera extraídos del mar, madera impregnada, recortes de tablas, aglomerado, etc.) o de leña demasiado húmeda
- 2.3. La instalación de accesorios opcionales que rectifiquen el tiro, el suministro de aire u otras circunstancias fuera del control de Jøtul.
- 2.4. Casos derivados de alteraciones o modificaciones de la estufa efectuadas sin el consentimiento de Jøtul, o el uso de piezas no originales.
- 2.5. Daños producidos en el almacén de un distribuidor, en el transporte posterior o durante la instalación
- 2.6. Productos vendidos por distribuidores no autorizados en zonas donde Jøtul opera según distribución selectiva
- 2.7. Costes asociados (por ejemplo, pero no solo, transporte, mano de obra, gastos de viaje) o daños indirectos

Las estufas de pellets, cristal, piedra, hormigón, acabados de pintura y esmalte (por ejemplo, pero no solo golpes, grietas, burbujas, decoloramiento, etc) están sujetos a la legislación nacional de consumo aplicable. Esta garantía es válida para compras realizadas dentro del territorio del Espacio Económico Europeo. Todas las reclamaciones de garantía se tramitarán a través de su distribuidor autorizado Jøtul local en un plazo razonable de tiempo que no excederá de 14 días respecto a la fecha en la que se detecte la falta o defecto por primera vez. Consulte la lista de importadores y distribuidores en nuestra página web www.jotul.com

Si Jøtul no pudiese cumplir con las obligaciones descritas en los términos de la garantía, se ofrecerá un producto alternativo de capacidad calorífica comparable

Jøtul se reserva el derecho a rechazar cualquier reposición de piezas si la garantía no se ha registrado online. Esta extensión de garantía únicamente añade coberturas, y no disminuye en medida alguna los derechos del consumidor y las garantías establecidas por la ley. Los derechos de garantía nacional empezarán a contar desde la fecha de compra y solamente podrán ejercerse previa presentación del justificante de compra/ número de serie.

Sommario

Manuale di installazione con dati tecnici

1.0	Conformità alle leggi	49
2.0	Dati tecnici	49
3.0	Sicurezza	51
4.0	Installazione	52
5.0	Utilizzo giornaliero	58
6.0	Assistenza	60
7.0	Manutenzione	62
8.0	Risoluzione dei problemi	63
9.0	Accessori opzionali	63
10.0	Riciclaggio	64
11.0	Termini della Garanzia	64

Registrare il proprio caminetto sul sito www.jotul.com per una garanzia di 25 anni.

Su tutti i nostri prodotti è applicata un'etichetta che indica il numero di serie e l'anno. Annotare questo numero dove indicato nelle istruzioni di installazione.

Citare sempre questo numero di serie quando ci si rivolge al rivenditore o a Jøtul.

Serial no.

Product: Jøtul Room heater fired by solid fuel				CE
Standard: Minimum distance to adjacent combustible materials: Emission of CO in combustion products: Flue gas temperature: Nominal heat output: Efficiency: Operation range: Fuel type: Operational type: The appliance can be used in a shared flue.				
Country	Classification	Certificate/standard	Approved by	
Norway	klasse II			
Sweden	sv. SP	SP-Sveriges Provnings- och Forskningsinstitut AB		
EUR	intermittent	EN	SP-Svecon National Testing and Research Institute	
Follow user's instructions. Use only recommended fuels. Montage- und Bedienungsanleitung beachten. Verwenden Sie nur empfohlenen Brennstoffen. Respectez les consignes d'utilisation. Utilisez uniquement les combustibles recommandés.				
Serial no. Y-xxxx. Year. 200x				
Manufacturer: Jøtul AS POB 1 041 N-1602 Fredrikstad Norway				221546

1.0 Conformità alle leggi

L'installazione di un caminetto deve avvenire in base ai codici e alle normative locali in vigore in ciascun paese.

Durante l'installazione del prodotto devono essere rispettate tutte le normative locali, incluse quelle che fanno riferimento a standard nazionali ed europei.

Leggere attentamente il manuale prima di procedere all'installazione. Prima di utilizzare il prodotto, l'impianto deve essere ispezionato da personale qualificato.

Sul prodotto è applicata una targhetta, realizzata in materiale termoresistente e contenente dati e informazioni sull'identificazione e documentazione del prodotto. La targhetta dati viene posizionata all'interno della base.

2.0 Dati tecnici

Materiale: ghisa
 Finitura: vernice nera
 Combustibile: legna
 Lunghezza massima dei ciocchi: 33 cm
 Scarico fumi: superiore/posteriore
 Dimensioni condotto scarico fumi:
 Peso: circa 140 kg
 Peso, pannelli laterali, pietra ollare: circa 80 kg
 Peso, pannelli laterali, acciaio: circa 20 kg
 Peso, piano superiore, pietra ollare (accessori opzionali): circa 20 kg
 Accessori opzionali: Piano superiore completo in pietra ollare, pannelli laterali in acciaio, Rivestimento completo in pietra ollare, ventilatore, set di atrezzi.

Dimensioni e distanze: vedere la **fig. 1a**

Dati tecnici a norma EN 13240

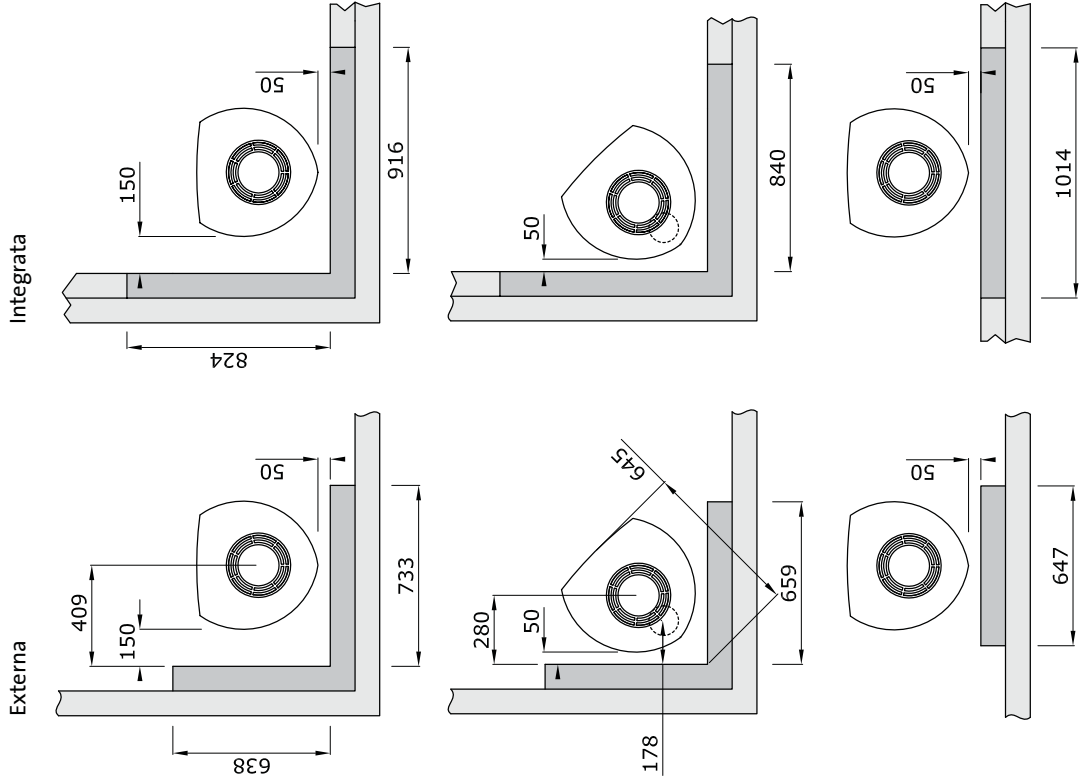
Potenza termica nominale: 5 kW
 Portata dei fumi: 5,0 g/s
 Tiraggio consigliato per la canna fumaria: 12 Pa
 Efficienza: 82%@5,9 kW
 Emissioni di CO (13% O₂): 0,10%
 Emissioni di CO (13% O₂): 1242 mg/Nm³
 Temperatura dei fumi: 260° C
 Tipo di funzionamento: intermittente

Per combustione intermittente, in questo contesto, si intende il normale utilizzo del caminetto, ossia con l'aggiunta di combustibile non appena da quello precedente si è formata una quantità adeguata di braci.

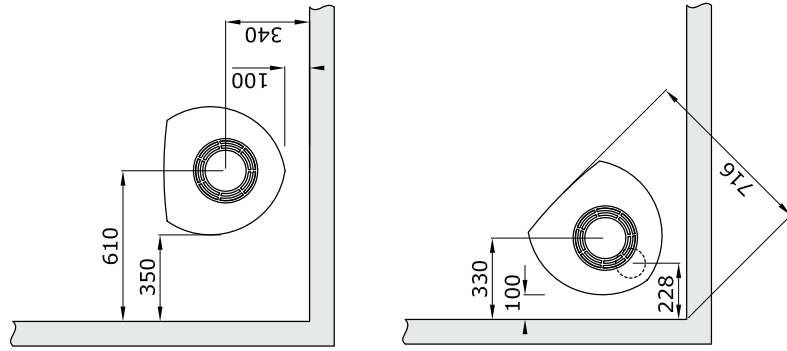
Jøtul F 263

Fig. 1

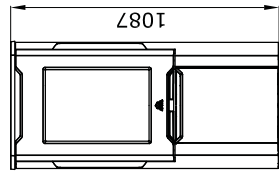
Distanza minima dalla parete combustibile protetta da un muro tagliafuoco:



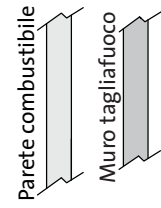
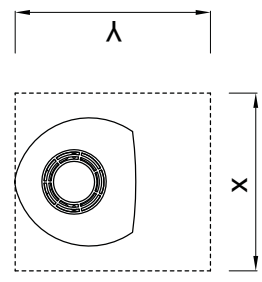
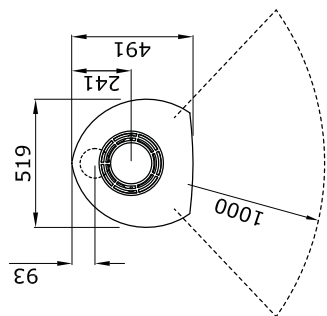
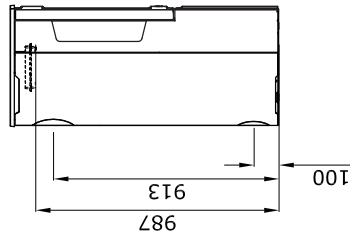
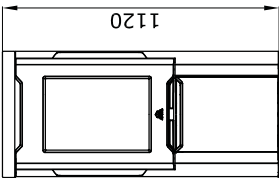
Distanza minima da una parete combustibile:



Cast di ferro - superiore



Pietra ollare - superiore



Dimensioni minime per la piastra di protezione del pavimento X/Y = In conformità alle leggi e alle normative nazionali. Vedere la fase 4.1

Circolazione dell'aria fresca

L'aria utilizzata per la combustione in qualsiasi abitazione ben isolata deve essere sostituita. Ciò è particolarmente importante nelle abitazioni con ventilazione meccanica. È possibile procurare tale aria sostitutiva in vari modi. L'aspetto più importante è fornire l'aria nell'ambiente in cui è situata la stufa. Posizionare la valvola della parete esterna più vicino possibile alla stufa e assicurarsi che possa essere chiusa quando la stufa non è in uso.

Per il collegamento della circolazione dell'aria fresca, attenersi ai regolamenti edilizi nazionali e locali.

Verificare che le prese d'aria presenti nel locale in cui si trova la camino non siano ostruite.

Sistema di combustione chiuso

Utilizzare il sistema di combustione chiuso della stufa se l'abitazione è a tenuta d'aria e di recente costruzione. Collegare l'aria di combustione esterna attraverso un condotto di ventilazione attraverso la parete o il pavimento.

Circolazione dell'aria

Il quantitativo di aria di combustione per i prodotti Jøtul è di circa 20-40 m³/h. Il condotto per l'aria esterna può essere inserito direttamente in del prodotto attraverso:

- Un tubo flessibile di circolazione dell'aria dall'esterno/dalla canna fumaria (solo se la canna fumaria presenta un proprio condotto per l'aria esterna) diretto al connettore dell'aria esterna del prodotto.

Fig. 2a, attraverso una parete esterna

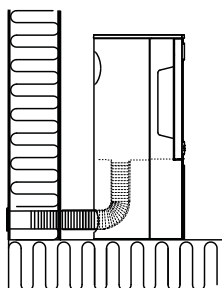


Fig. 2b, attraverso il pavimento e la piastra di terra

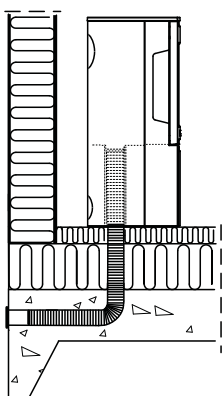


Fig. 2c, attraverso il pavimento e il basamento

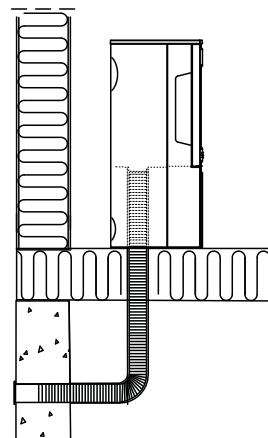
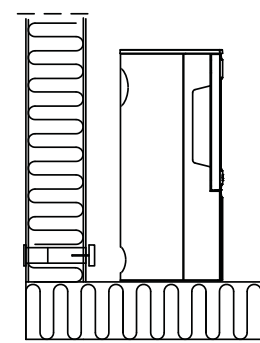


Fig. 2d, indirettamente attraverso una parete esterna



3.0 Sicurezza

Nota: per garantire prestazioni e sicurezza ottimali, le stufe Jøtul devono essere montate da un installatore qualificato.

Qualunque modifica al prodotto da parte del distributore, installatore o consumatore può comportare un funzionamento imprevisto del prodotto e delle funzionalità di sicurezza. Lo stesso si applica all'installazione di accessori o di extra opzionali non forniti da Jøtul. Ciò può riguardare anche componenti essenziali per il funzionamento e la sicurezza del caminetto eventualmente smontati o rimossi.

In tutti i casi citati, il produttore non potrà essere ritenuto responsabile o punibile per il prodotto, rendendo nullo e non valido ogni reclamo.

3.1 Misure di prevenzione antincendio

Ogni utilizzo del caminetto ha in sé un certo elemento di pericolo. Pertanto, è necessario seguire attentamente le seguenti istruzioni:

- Le distanze minime di sicurezza in caso di utilizzo del caminetto sono fornite nella fig. 1. Queste le indicazioni sulla distanza da materiali infiammabili che si applicano a questa stufa. La stufa deve essere installata con tubi con certificazione specifica CE Anche per i tubi va rispettata la distanza da materiali infiammabili.
- Assicurarsi che gli arredi e altri materiali infiammabili non siano troppo vicini al caminetto. I materiali infiammabili non devono mai essere posizionati entro 1000 mm dal caminetto.
- Attendere l'estinzione del fuoco. Non spegnere mai le fiamme con acqua.
- Il caminetto acceso diventa caldo e può causare bruciature se toccato.

ITALIANO

- Rimuovere la cenere solo con il caminetto freddo. La cenere può contenere braci calde, pertanto deve essere collocata in un contenitore ignifugo.
- La cenere deve essere collocata all'esterno o svuotata in un luogo in cui non rappresenterà un pericolo potenziale di incendio.

In caso di incendio della canna fumaria:

- Chiudere tutte le aperture e le prese d'aria.
- Tenere chiusa la porta del camino.
- Verificare la presenza di fumo in cantina e in soffitta.
- Chiamare i vigili del fuoco.
- Prima di utilizzare di nuovo il camino e la canna fumaria dopo un incendio, è necessario che vengano controllati da un tecnico specializzato che ne assicuri l'integrità e il corretto funzionamento.

3.2 Pavimento

Fondamenta

Accertarsi che la solidità del pavimento sia sufficiente per il caminetto. Per le indicazioni relative al peso, vedere la sezione "2.0 Dati tecnici". Durante l'installazione, si consiglia di rimuovere le eventuali pavimentazioni non ancorate alle fondamenta (le cosiddette 'pavimentazioni galleggianti').

Protezione dei pavimenti in materiale combustibile

Se occorre installare il caminetto su un pavimento in materiale combustibile, coprire con una piastra di metallo, o di un altro materiale non combustibile, la parte di pavimento situata sotto e davanti al caminetto. Lo spessore minimo consigliato è pari a 0,9 mm.

Jøtul raccomanda di rimuovere eventuali materiali infiammabili come: linoleum, moquette, ecc. da sotto la pedana di protezione del pavimento.

Requisiti per la protezione di pavimento infiammabile davanti alla stufa

La piastra deve essere conforme alle leggi e alle normative nazionali.

Contattare le autorità competenti in materia di edilizia in relazione alle disposizioni e ai requisiti di installazione.

3.3 Pareti (Fig. 1a)

Distanza dalle pareti in materiale combustibile

Distanza dalle pareti in caso di condotto di scarico dei fumi isolato: Vedere la Fig. 1.

Distanza dalle pareti protette mediante un muro tagliafuoco

Contattare le autorità competenti in materia di edilizia in relazione alle disposizioni e ai requisiti di installazione.

Requisiti sui muri tagliafuoco

I muri tagliafuoco devono essere spessi almeno 100 mm ed realizzati in mattoni, mattoni di cemento o cemento leggero. È possibile utilizzare anche altri materiali e strutture provviste della necessaria documentazione.

Distanza dalle pareti non combustibili

Per parete non combustibile si intende un muro non portante realizzato in cemento o mattoni continui.

Contattare le autorità competenti in materia di edilizia in relazione alle disposizioni e ai requisiti di installazione.

3.4 Soffitto

La distanza minima tra la stufa e il soffitto in materiale infiammabile deve essere almeno di 1000 mm.

4.0 Installazione

Il prodotto viene consegnato in almeno due imballaggi.

N.B. Prima di iniziare l'installazione, assicurarsi che il caminetto non sia danneggiato. Assicurarsi che mobili e altri articoli di arredamento non siano tanto vicini da essere seccati dalla stufa. **Il prodotto è pesante! Accertarsi di ricevere assistenza durante il montaggio e l'installazione del caminetto.**

4.1 Canne fumarie e condotti di scarico dei fumi

- È possibile collegare il caminetto a una canna fumaria e a un condotto di scarico dei fumi approvati per apparati con fiamma alimentata a combustibile solido, i cui fumi siano alla temperatura specificata nella sezione "2.0 Dati tecnici".
- La sezione trasversale della canna fumaria deve essere pari o superiore a quella del condotto di scarico dei fumi. Per il calcolo della sezione trasversale corretta della canna fumaria, vedere la sezione "2.0 Dati tecnici".
- Se la sezione trasversale della canna fumaria è sufficiente, è possibile collegare alla stessa canna fumaria più apparati con fiamma alimentata a combustibile solido.
- Il collegamento con la canna fumaria deve essere realizzato in conformità alle istruzioni di installazione fornite dal produttore della stessa.
- Prima di praticare un foro nella canna fumaria, montare e posizionare provvisoriamente il caminetto, in modo da contrassegnare correttamente la sua posizione e quella del foro sulla canna fumaria. Per le dimensioni minime, vedere la Fig. 1.
- Assicurarsi che il condotto di scarico dei fumi sia inclinato verso l'alto fino alla canna fumaria.
- Utilizzare un condotto di scarico dei fumi dotato di un portello che consenta di pulirlo.

Tenere presente che è particolarmente importante che i collegamenti abbiano una certa flessibilità per evitare che eventuali movimenti durante la fase di installazione causino la formazione di crepe.

N.B. Per il funzionamento corretto del prodotto, è molto importante che i collegamenti siano corretti e ben sigillati.

Tiraggio della canna fumaria; vedere la sezione «2.0 Dati tecnici». Se il tiraggio è eccessivo, è possibile controllarlo installando e azionando valvola di regolazione.

4.2 Rimozione del meccanismo di chiusura automatica dello sportello

Il prodotto viene fornito con il meccanismo di chiusura automatica dello sportello preinstallato. Se non si desidera utilizzarlo, è possibile rimuovere tale meccanismo.

Fig. 3a

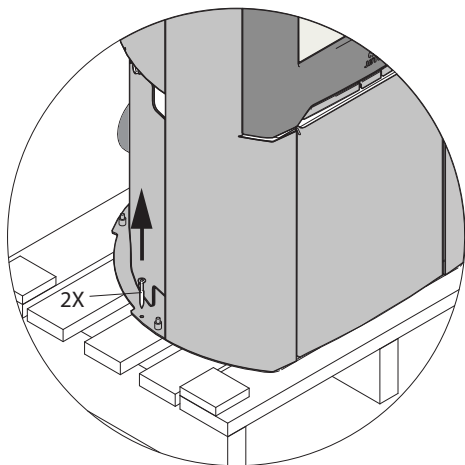
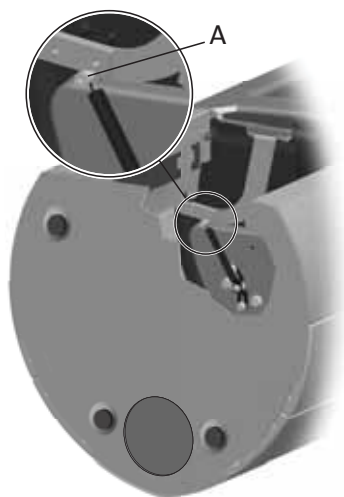


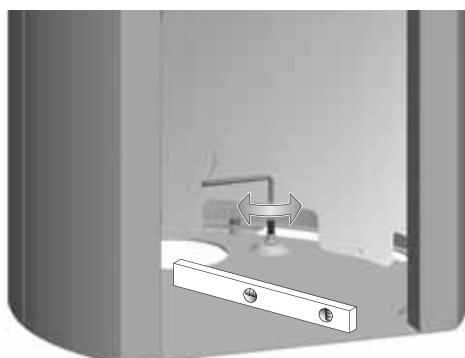
Fig. 3a



1. Rimuovere la vite e il dado (Fig. 3 A).
2. Sganciare e rimuovere la molla.

4.3 Livellare il focolare

Fig. 3b



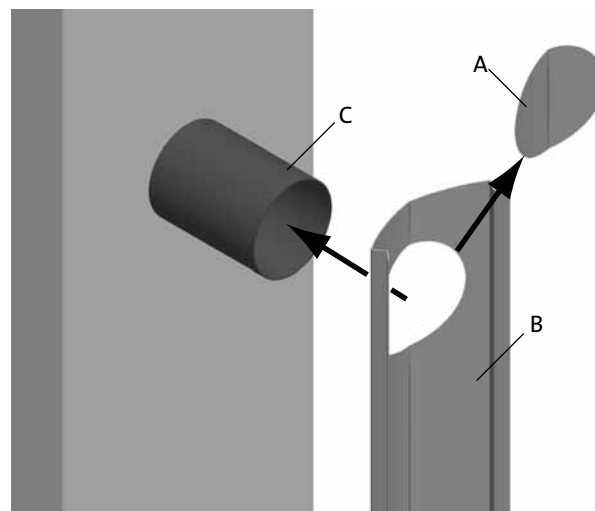
4.4 Installare la canna fumaria nell'uscita fumi posteriore

Il prodotto esce dalla fabbrica con l'attacco della canna fumaria preparato per uscita superiore.

NB! Precedere come segue per installare la stufa con l'uscita fumi posteriore:

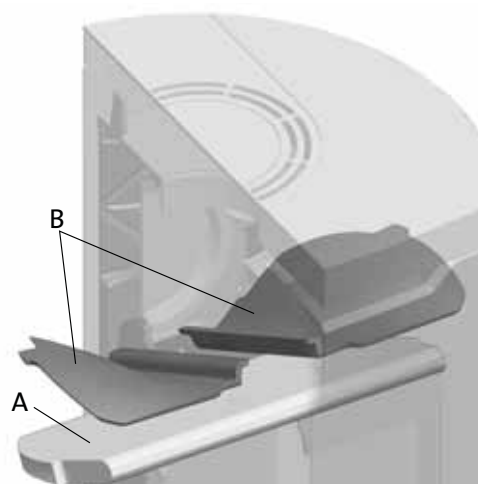
Fig. 4

In fase di installazione con pannelli laterali in pietra ollare, la piastra posteriore (Fig. 4 B) deve essere preparata prima che il prodotto venga collocato nella posizione finale.



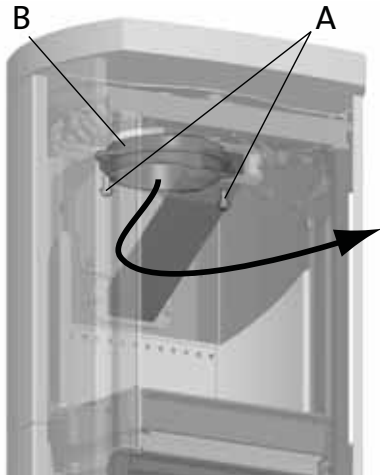
1. Estrarre la piastra di copertura rimovibile (Fig. 4 A) nella piastra posteriore (Fig. 4 B).
2. Montare delicatamente la piastra posteriore sul condotto (Fig. 4 C).
3. Collocare il prodotto nella posizione corretta. (Vedere Fig. 1a)

Fig. 5



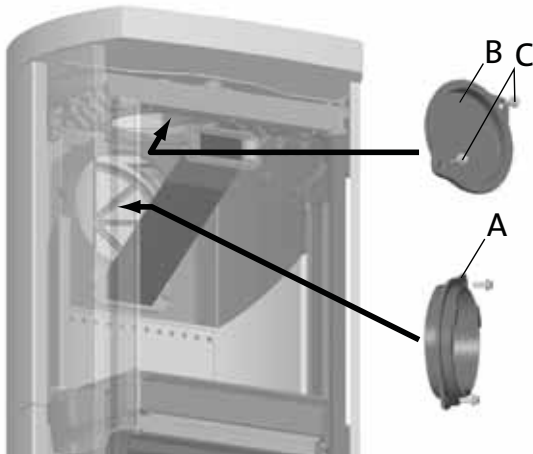
1. Sollevare con cura il parafiamma (fig. 5 A).
2. Rimuovere una delle piastre refrattarie laterali sollevandole leggermente ed estraendole. (se si utilizzano degli attrezzi, prestare attenzione al fatto che le piastre di vermiculite possono danneggiarsi se non vengono trattate con cura).
3. Rimuovere il parafiamma.
4. Rimuovere l'altra piastra refrattaria laterale.
5. Rimuovere i deflettori di aspirazione (fig. 5 B).

Fig. 6



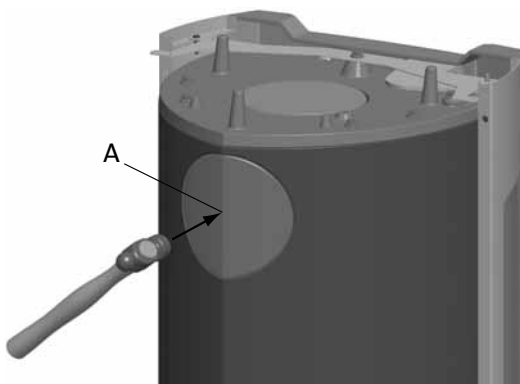
1. Svitare le viti (fig. 6 A) e rimuovere l'attacco della canna fumaria (fig. 6 B) dall'uscita fumi superiore dall'interno della camera di combustione.

Fig. 7



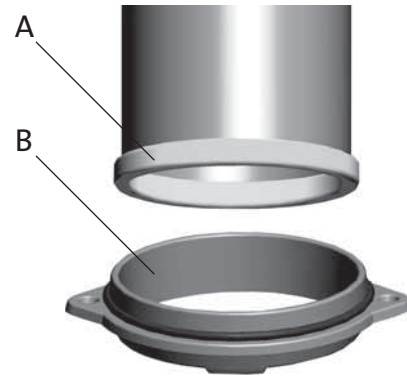
1. Svitare le viti (fig. 7 C) e rimuovere il coperchio (fig. 7 B) dall'uscita fumi posteriore dall'interno della camera di combustione.

Fig. 8



1. Rimuovere la copertura posteriore (fig. 8 A).
2. Avvitare l'attacco per la canna fumaria (fig. 7 A) nell'interno della camera di combustione, dove in precedenza era situato il coperchio.
3. Avvitare il coperchio (fig. 7 B) dove in precedenza era avvitato l'attacco per la canna fumaria.
4. Riposizionare l'estrattore fumi (fig. 5 B) e il deflettore (fig. 5 A).

Fig. 9

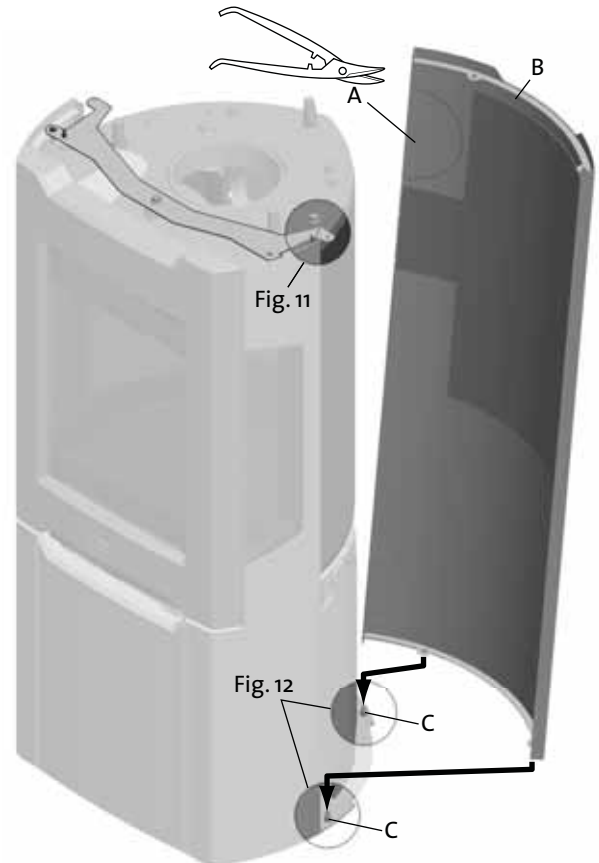


1. Posizionare la guarnizione (Fig. 9 A) contenuta nel sacchetto delle viti intorno al bordo del condotto e spingerla nello scarico fumi (Fig. 9 B).

4.5 Montaggio dei pannelli laterali

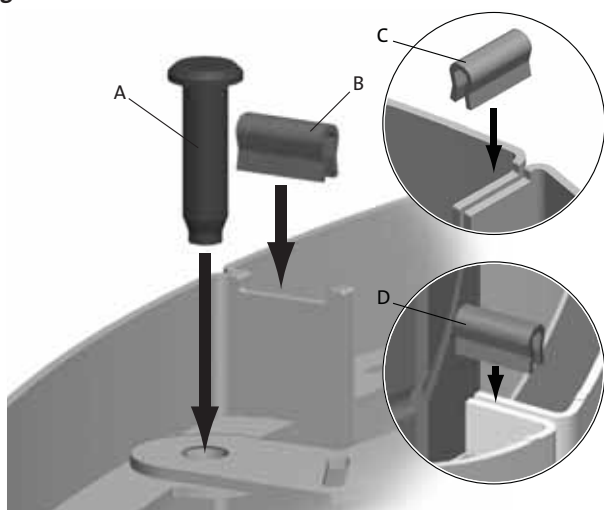
Pannelli laterali in acciaio

Fig. 10



1. **In presenza di uno scarico posteriore:** utilizzare uno strumento adeguato per rimuovere la piastra di copertura (Fig. 10 A) nel pannello laterale (Fig. 10 B).
2. Sollevare il pannello laterale e abbassarlo sopra ai bulloni (Fig. 10 C e Fig. 12).
3. Montare l'altro pannello laterale in acciaio allo stesso modo.

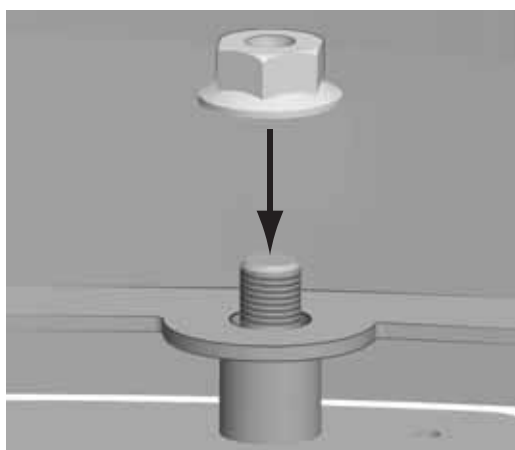
Fig. 11



Montare i perni (Fig. 11 A) e le fascette (Fig. 11 B).

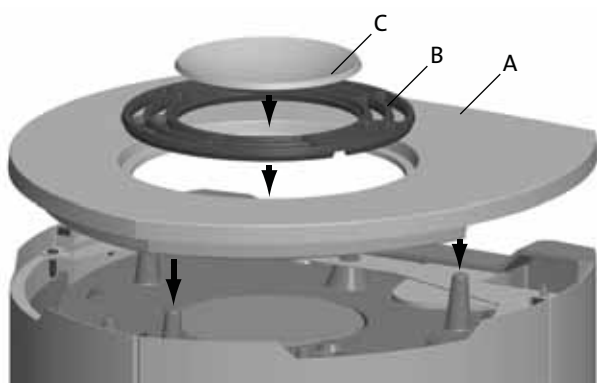
- Unire insieme i due pannelli laterali usando una fascetta (Fig. 11 C).
- In presenza di uno scarico posteriore:** montare una fascetta supplementare nella parte inferiore dell'apertura (Fig. 11 D).

Fig. 12



- Montare i dadi dall'interno della base.

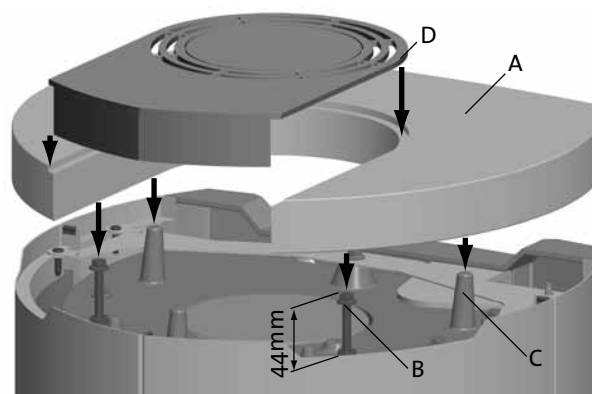
Fig. 13



- Collocare la piastra superiore (Fig. 13 A), la grata dell'aria (Fig. 13 B) e la vaschetta (Fig. 13 C).

In presenza di un coperchio in pietra ollare:

Fig. 14



- Sostituire le viti con il bullone e il dado (fig. 14 B) forniti.
- Collocare il coperchio in pietra ollare (Fig. 14 A) sulle viti (Fig. 14 B) e i perni guida (Fig. 14 C).
- Regolare le viti (Fig. 14 B) fino a collocare in posizione piana il coperchio in pietra ollare.
- Posizionare la copertura in acciaio (Fig. 14 D).

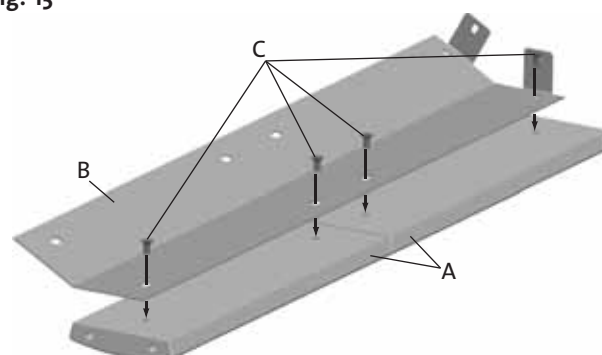
Pannelli laterali in pietra ollare

Importante!

Tenere presente che le lastre possono danneggiarsi se non vengono maneggiate con cura. L'installazione deve essere eseguita da personale qualificato.

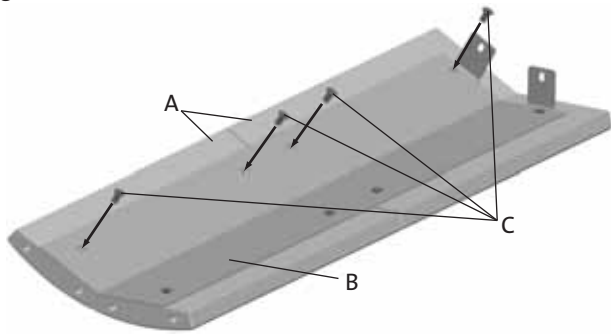
Con lo scarico fumi posteriore, la piastra posteriore deve essere preparata come mostrato in figura 4.

Fig. 15



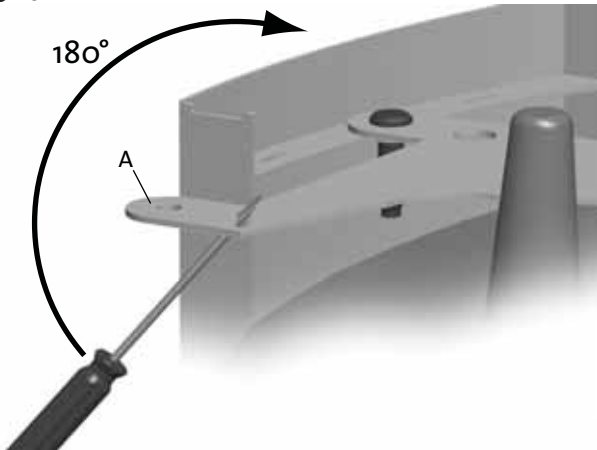
- Collocare delicatamente 2 lastre in pietra ollare (Fig. 15 A) sul pavimento.
- Montare la staffa (Fig. 15 B) con 4 viti (Fig. 15 C). Non serrare ancora le viti.

Fig. 16



1. Montare le 2 successive lastre in pietra ollare (Fig. 16 A) sulla staffa (Fig. 16 B) con 4 viti (Fig. 16 C). Non serrare ancora le viti.

Fig. 17

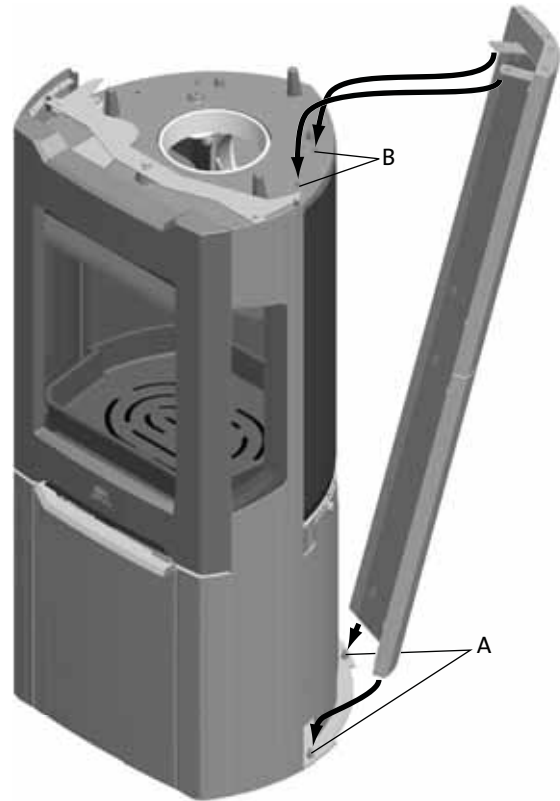


1. Piegare verso l'alto la parte esterna (Fig. 17 A) della staffa.

In presenza di uno scarico fumi posteriore:

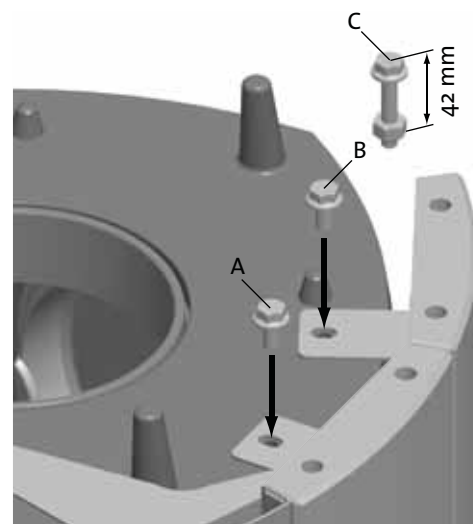
Collocare la piastra posteriore (Fig. 4 B) e montarla temporaneamente come mostrato in figura 21.

Fig. 18



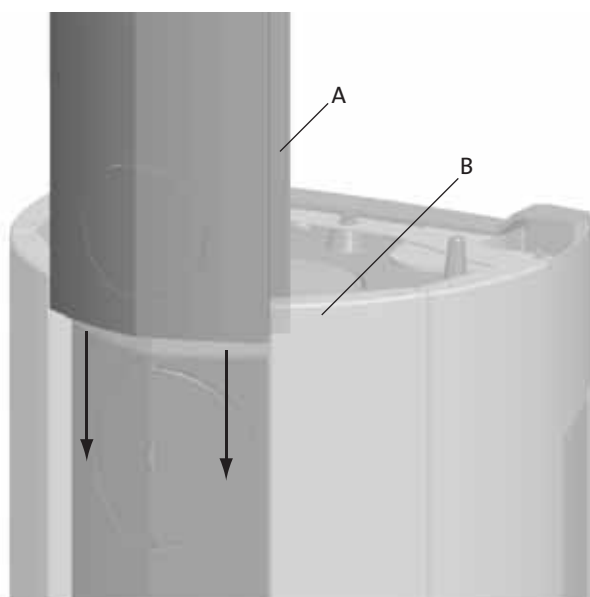
1. Sollevare delicatamente il pannello laterale in pietra ollare.
2. Regolare la posizione della pietra ollare e serrare le viti.
3. Sollevare il pannello in pietra ollare e abbassarlo delicatamente sui bulloni (Fig. 18 A).
4. Spingere quindi la sezione superiore del pannello laterale in pietra ollare sulla camera di combustione (Fig. 18 B).

Fig. 19



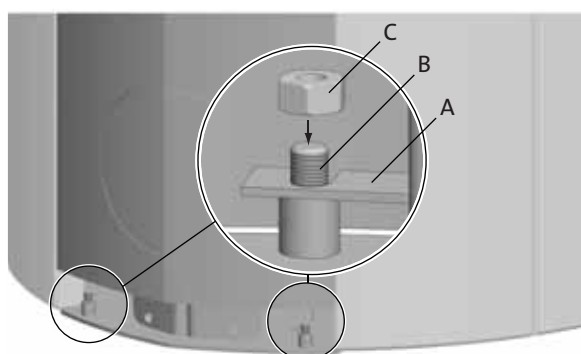
1. Montare il pannello laterale in pietra ollare sulla camera di combustione con le viti (Fig. 19 A e B).
2. **In presenza di un coperchio in pietra ollare:** sostituire le viti (Fig. 19 B) con i bulloni e i dadi (Fig. 19 C) forniti.
3. Montare l'altro pannello laterale in pietra ollare allo stesso modo.

Fig. 20



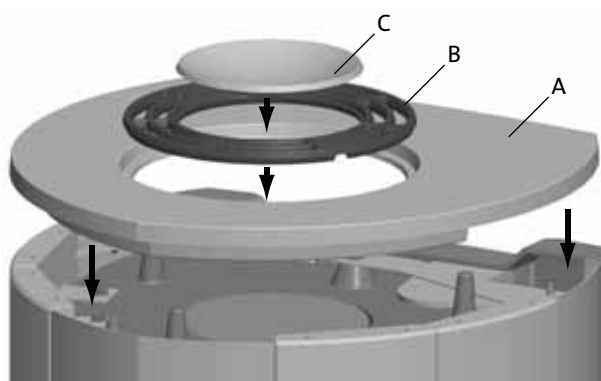
1. Sollevare la piastra posteriore (Fig. 20 A) e farla scorrere in basso tra i pannelli laterali in pietra ollare (Fig. 20 B).

Fig. 21



1. Abbassare la piastra posteriore (Fig. 21 A) sui bulloni (Fig. 21 B).
2. Montare i dadi dalla parte interna della base (Fig. 21 C).

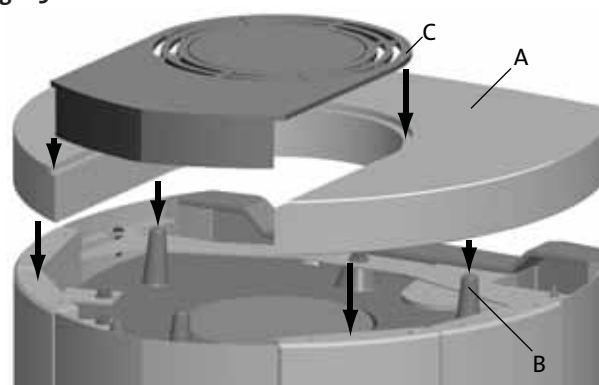
Fig. 22



1. Collocare la piastra superiore (Fig. 22 A), la grata dell'aria (Fig. 22 B) e la vaschetta (Fig. 22 C).

In presenza di un coperchio in pietra ollare:

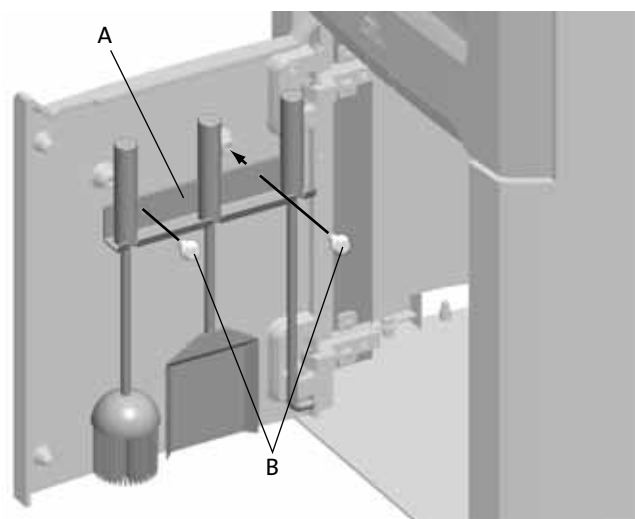
Fig. 23



1. Collocare il coperchio in pietra ollare (Fig. 23 A) sulle i perni guida (Fig. 23 B).
2. Posizionare la copertura in acciaio (Fig. 23 C).

4.6 Montaggio del set di attrezzi (Accessori opzionali)

Fig. 24



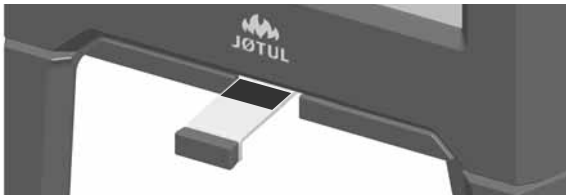
1. Montare la staffa (Fig. 24 A) sulla porta con le viti (Fig. 24 B).

4.7 Controllo delle funzioni

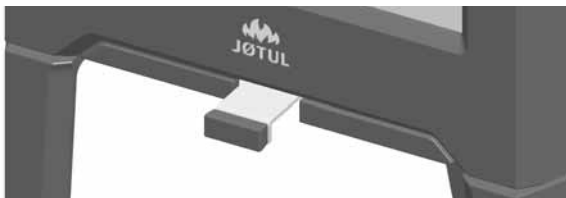
Una volta montato il prodotto, controllare sempre le funzioni di regolazione. Queste devono muoversi facilmente e funzionare in modo soddisfacente.

Il prodotto è dotato di una maniglia. Tale maniglia controlla sia la presa di accensione che la presa d'aria.

- Estratta completamente (etichetta visibile): accensione.



- Spinta internamente (etichetta non visibile): presa d'aria.



5.0 Utilizzo giornaliero

Odori al primo utilizzo del caminetto

Quando il caminetto viene utilizzato per la prima volta, può emettere un gas irritante dal lieve odore. Ciò si verifica perché la vernice si secca. Il gas non è tossico, tuttavia il locale deve essere ventilato approfonditamente. Lasciare bruciare il fuoco con un tiraggio elevato, fino a far scomparire ogni traccia di gas, fumo e odore.

5.1 Funzionamento

Consiglio per l'alimentazione della stufa

Nota: i ceppi conservati all'aperto o in un locale freddo devono essere collocati all'interno 24 ore prima dell'uso, al fine di portarli alla temperatura ambiente.

Ci sono vari modi per alimentare la stufa, tuttavia è sempre importante prestare attenzione a ciò che viene collocato nella stufa. Consultare la sezione "Qualità della legna".

Qualità della legna

Per "legna di qualità" si intendono tipi di legna generalmente conosciuti come la betulla, l'abete e il pino.

I ceppi devono essere asciugati, in modo che il contenuto di umidità non sia superiore al 20%.

A tal fine, si consiglia di tagliare i ceppi alla fine dell'inverno. Tagliarli e impilarli in modo da garantire una buona ventilazione. Le pile di legna devono essere coperte per proteggere i ceppi dalla pioggia. Portare i ceppi all'interno all'inizio dell'autunno e impilarli/conservarli per utilizzarli in inverno.

Prestare particolare attenzione a non utilizzare mai i seguenti materiali come combustibile per il caminetto:

- Rifiuti domestici, buste di plastica, ecc.
- Legname verniciato o impregnato (*in quanto estremamente tossico*).
- Assi di legno laminato.
- Cumuli di legname trasportato dalla corrente

Possono danneggiare il prodotto e sono anche inquinanti.

Nota: non utilizzare mai petrolio, paraffina, alcol denaturato o liquidi simili per accendere il fuoco, in quanto potrebbero causare lesioni gravi all'utilizzatore e danni al prodotto.

Consumo di legna

Uso di legna con una produzione nominale di calore: circa **1,6 kg/h**. Le dimensioni corrette dei ciocchi costituiscono un altro fattore importante per un giusto consumo di combustibile. Le dimensioni dei ciocchi devono essere pari a:

Fascine:

Lunghezza: 23 - 33 cm

Diametro: 2 - 5 cm

Quantità per ciascuna accensione: 6 - 8 pezzi

Uso quotidiano

Legna da ardere (ciocchi tagliati):

Lunghezza: 23 - 33 cm

Diametro: circa 8 cm

Intervalli di aggiunta della legna: circa ogni 45 minuti

Dimensioni del carico: 1,2 kg

Quantità per ciascun carico: 2 pezzi

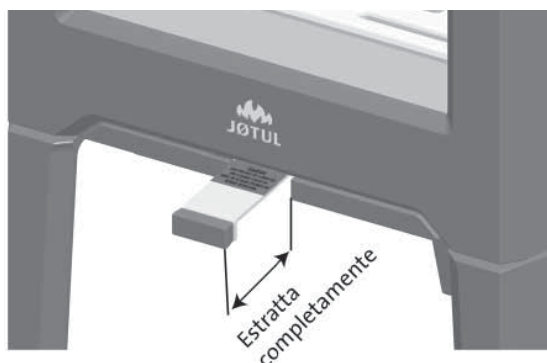
La produzione nominale di calore viene raggiunta quando l'apertura della presa d'aria è pari al 57% circa.

Uso Massimo

Carico Massimo: 2,9 Kg/h (massimo 3 ceppi/2,2 Kg per carico).

Accensione

Fig. 25



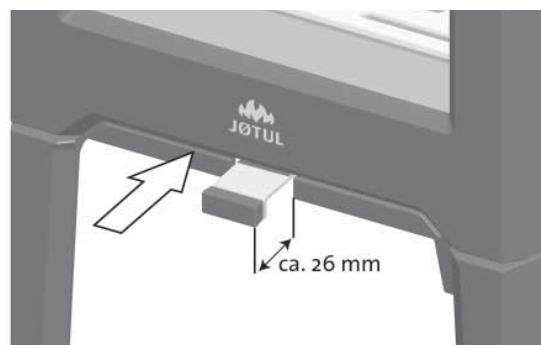
- Aprire le prese d'aria e di accensione estraendo completamente le manopole. (Utilizzare un guanto o simile per proteggere la mano nel caso in cui le manopole siano calde.)



- Posizionare due ceppi in fondo alla camera di combustione e impilare le fascine in strati.
- Infine, posizionare un ceppo di dimensioni medie in cima alla pila.
- Posizionare 2 o 3 bricchette o ramoscelli sotto lo strato superiore di fascine e accendere il fuoco.

Riscaldamento

Fig. 26



- Quando la legna ha preso fuoco e brucia correttamente, fare scorrere la valvola di accensione / presa d'aria (Fig. 26) fino a quando è estesa di circa 24 mm.
- Chiudere la porta.
- Dopodiché, è possibile variare il tasso di combustione per ottenere il calore desiderato regolando la presa d'aria.
- Controllare che abbia inizio la postcombustione (combustione secondaria). Ciò viene indicato dalla presenza di fiamme gialle e guizzanti davanti ai fori sotto il parafiamma.
- Se il flusso d'aria è normale, sarà possibile chiudere la porta e il fuoco si regolerà autonomamente.

Aggiunta della legna

Alimentare frequentemente la stufa, aggiungendo solo piccoli quantitativi di combustibile alla volta. Se la stufa è troppo piena, il calore creato potrebbe causare sollecitazioni estreme della canna fumaria. Aggiungere con moderazione il combustibile al fuoco. Evitare i fuochi che bruciano senza fiamme, dato che ciò produrrà il massimo inquinamento. Un fuoco ottimale si ottiene con una buona bruciatura e un fumo in uscita dalla canna fumaria quasi invisibile.

5.2 Pericolo di surriscaldamento

Il caminetto non deve mai essere utilizzato in modo tale da causare surriscaldamento

Il surriscaldamento si verifica in presenza di un eccesso di combustibile e/o di aria, causando un calore eccessivo. Un segno evidente di surriscaldamento è la presenza di un bagliore rosso in alcune parti del caminetto. Se ciò dovesse accadere, ridurre immediatamente l'apertura della presa d'aria.

5.3 Eliminazione della cenere

Il prodotto è dotato di un ceneraio che agevola l'eliminazione della cenere.

Uso degli atrezzi (Fig.24).

Attenzione: gli atrezzi possono scottare.

Fig. 27



1. Raschiare la cenere facendola cadere nel ceneraio attraverso la grata (Fig. 27 A) presente nella piastra di base. Utilizzare un guanto per afferrare la maniglia del ceneraio.
2. Accertarsi che il ceneraio non sia pieno al punto da impedire la fuoriuscita della cenere attraverso la grata.

6.0 Assistenza

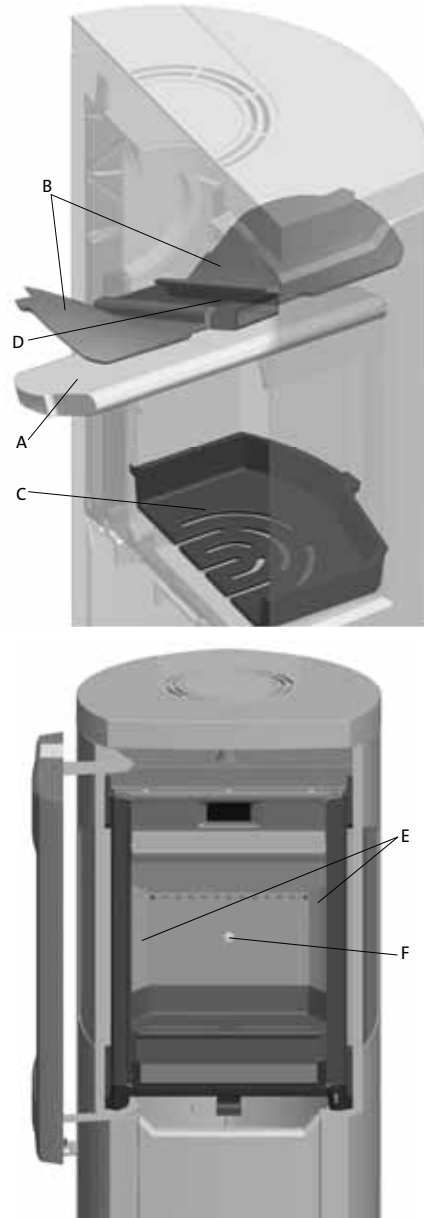
Avvertenza: È vietata qualunque modifica non autorizzata del prodotto.

Utilizzare esclusivamente ricambi originali.

La manutenzione va effettuata a prodotto freddo!

6.1 Sostituzione delle piastre refrattarie/ della piastra inferiore interna

Fig.28



1. Sollevare con cura il parafiamma (fig. 28 A).
2. Rimuovere una delle piastre refrattarie laterali (fig. 28 E) sollevandole leggermente ed estraendole. (se si utilizzano degli atrezzi, prestare attenzione al fatto che le piastre di vermiculite possono danneggiarsi se non vengono trattate con cura).
3. Rimuovere il parafiamma.
4. Rimuovere l'altra piastra refrattaria laterale.
5. Svitare la vite M8 x 25 mm presente sulla piastra refrattaria posteriore (Fig. 28 F), quindi rimuovere tale piastra.
6. A questo punto, sollevare e rimuovere la piastra inferiore interna (Fig. 28 C).

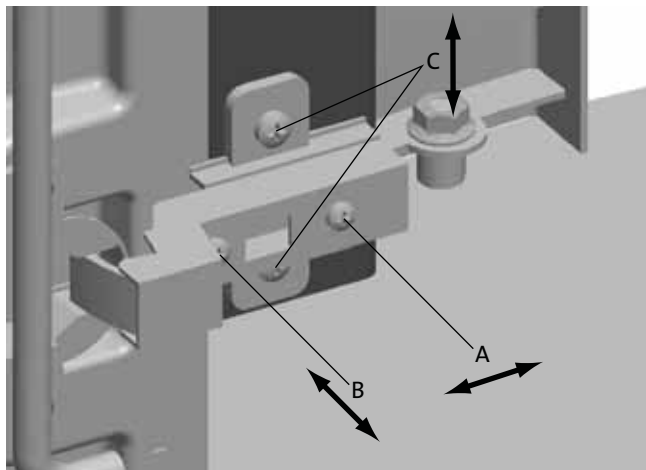
Per l'installazione, eseguire la stessa procedura nell'ordine inverso.

6.2 Sostituzione del parafiamma

- Vedere la fase 1 - 3 sotto la **fig. 28**.
- A questo punto, se occorre rimuovere i deflettori è facile raggiungerli (**fig. 28 B**). Sono situati su un pomello laterale e sul collettore dell'aria (**fig. 28 D**).
- Inclinare verso il basso ed estrarli attraverso lo sportello. Per reinstallarlo, eseguire la stessa procedura nell'ordine inverso.

6.3 Regolazione della porta della base

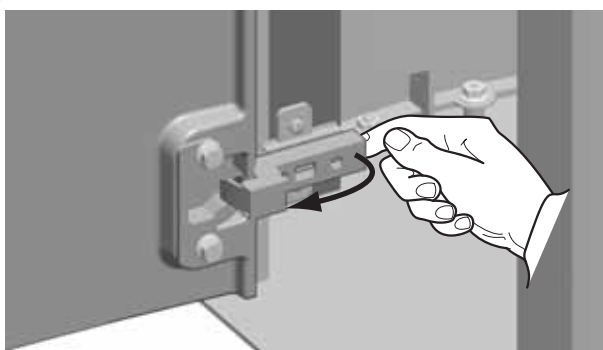
Fig. 29



6.4 Sostituzione del vetro nei pannelli laterali

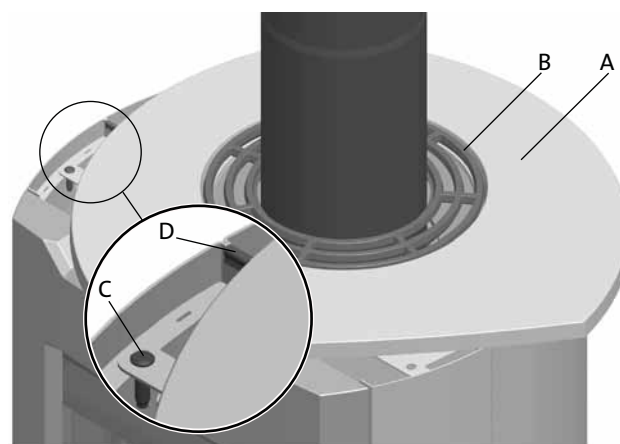
Se necessario, è possibile sostituire il vetro nel pannello laterale.

Fig. 30



1. Rimuovere la porta della base premendo contro la parte posteriore del cardine.

Fig. 31



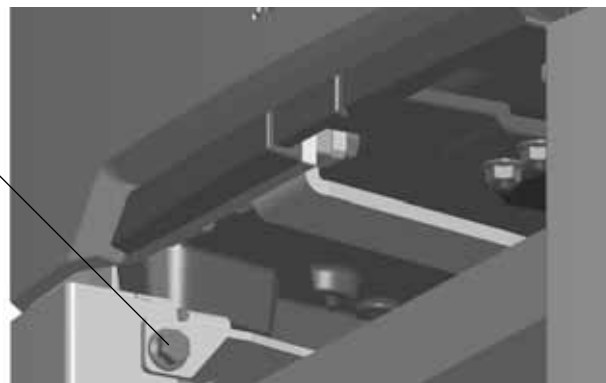
In presenza di uno scarico fumi posteriore:

1. Sollevare delicatamente la piastra superiore (**Fig. 31 A**), la griglia superiore (**Fig. 31 B**) e la vaschetta.
2. Rimuovere il perno (**Fig. 31 C**) e la fascetta (**Fig. 31 D**).

In presenza di uno scarico fumi superiore:

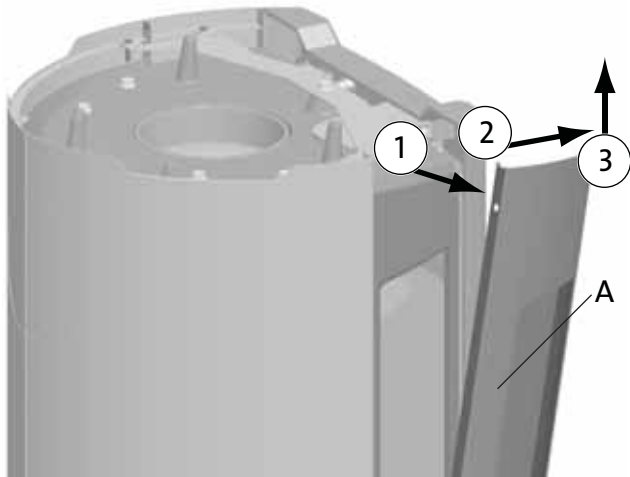
1. Sollevare delicatamente la piastra superiore (**Fig. 31 A**) e la griglia superiore (**Fig. 31 B**).
2. Ruotare la piastra superiore e la griglia superiore di circa 60°.
3. Appoggiare la piastra superiore e la griglia superiore sulla stufa.
4. Rimuovere il perno (**Fig. 31 C**) e la fascetta (**Fig. 31 D**).

Fig. 32



1. Rimuovere la vite (**fig. 32 A**) sulla parte interna della base.

Fig. 33



1. Estrarre il pannello laterale (Fig. 33 A).
2. Inclinare delicatamente il pannello laterale sulla parte anteriore.
3. Sollevare il pannello laterale.
4. Sostituire il vetro e la guarnizione

Per rimontarlo, eseguire la stessa procedura nell'ordine inverso.

6.5 Rimontaggio della porta della base

Fig. 34

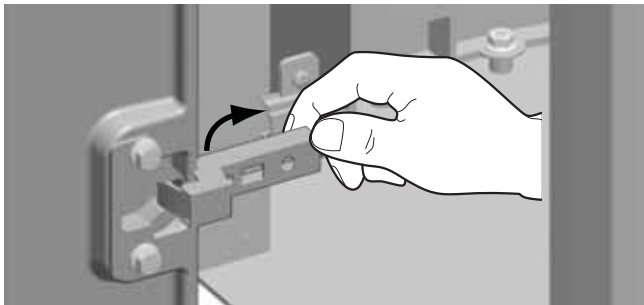
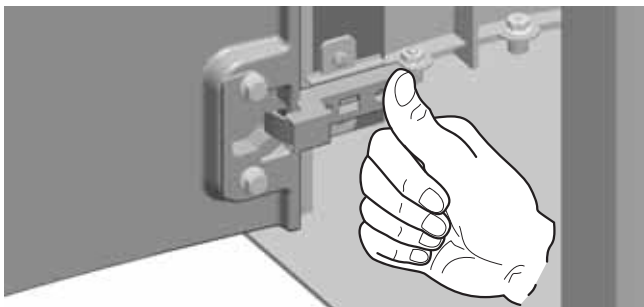


Fig. 35



Se è necessaria una regolazione, vedere la figura 29.

7.0 Manutenzione

La manutenzione va effettuata a prodotto freddo!

7.1 Pulizia e rimozione della fuliggine

I depositi di fuliggine possono accumularsi sulle superfici interne del caminetto durante l'uso. La fuliggine è un buon isolante, pertanto riduce la potenza termica del caminetto. Se si accumulano depositi di fuliggine durante l'utilizzo del prodotto, per rimuoverli è sufficiente utilizzare un detergente specifico.

Al fine di impedire la formazione di acqua e di uno strato di pece liquida nel caminetto, consentire regolarmente la presenza di fiamme particolarmente calde per rimuovere lo strato. È richiesta una pulizia interna annuale per ottenere i migliori risultati termici dal prodotto. Si consiglia di effettuarla insieme alla pulizia della canna fumaria e dei condotti.

7.2 Pulizia dei condotti alla canna fumaria

I condotti devono essere spazzati attraverso l'apposito portello o l'apertura della porta.

Uno dei parafiamma dovrà prima essere rimosso per consentire l'esecuzione di tale operazione.

7.3 Ispezione del caminetto

Jøtul raccomanda di ispezionare attentamente il proprio caminetto dopo averlo spazzato e pulito. Controllare tutte le superfici visibili per individuare eventuali crepe. Controllare anche che tutti i giunti siano sigillati e che tutte le guarnizioni siano nelle posizioni corrette. Qualsiasi guarnizione che mostri segni di usura o deformazione deve essere sostituita.

Pulire accuratamente le scanalature delle guarnizioni, applicare della colla per ceramica (disponibile presso il proprio rivenditore Jøtul locale) e premere la guarnizione in posizione. Il giunto si asciugherà rapidamente.

7.4 Manutenzione esterna

Il colore dei prodotti verniciati può alterarsi dopo svariati anni di utilizzo. La superficie deve essere pulita e spazzolata in modo da rimuovere ogni residuo prima di applicare la nuova vernice.

Importante! Non mettere nulla sul piano superiore della stufa. Questo può causare danni permanenti alla verniciatura o allo smalto.

8.0 Risoluzione dei problemi

Scarso tiraggio

Verificare la lunghezza della canna fumaria e la conformità alle norme nazionali (per informazioni, vedere anche le sezioni «2.0 Dati tecnici»).

Accertarsi che la sezione trasversale minima della canna fumaria sia conforme a quanto riportato nella sezione «2.0 Dati tecnici» del manuale di installazione.

Verificare che non ci sia nulla che impedisca il deflusso del fumo: rami, alberi e così via.

Se si sospetta un tiraggio eccessivo o insufficiente della canna fumaria, rivolgersi a un tecnico specializzato per la misurazione e la regolazione.

Il camino e spegnimento del fuoco

- Accertarsi che la legna sia sufficientemente secca.
- Verificare che ci sia una pressione negativa nella stanza, spegnere le ventole meccaniche e aprire una finestra nelle vicinanze del camino.
- Controllare che la presa d'aria sia aperta.
- Controllare che il condotto di scarico dei fumi non sia intasato dalla fuliggine.

Accumulo anomalo di fuliggine sul vetro

È inevitabile che si accumulino della fuliggine sul vetro, ma la sua quantità dipende da:

- Umidità del combustibile.
- Condizioni di tiraggio del locale.
- Apertura della presa d'aria.

Gran parte della fuliggine viene normalmente bruciata quando la presa d'aria è completamente aperta e il fuoco arde vivacemente nel camino.

9.0 Accessori opzionali

9.1 Piano superiore completo in pietra ollare - 50 mm

N. cat. 50036901

9.2 Pannelli laterali in acciaio

N. cat. 30023272

9.3 Rivestimento completo in pietra ollare

N. cat. 50036877

9.4 Ventilatore per Jøtul F 260

N. cat. 50036914

9.5 Set di attrezzi

N.° cat. 50036912

10.0 Riciclaggio

10.1 Riciclaggio dell'imballo

Ogni caminetto viene fornito all'interno del seguente imballo:

- Un pallet di legno che può essere tagliato e bruciato nel caminetto.
- Un imballo in cartone riciclabile da consegnare alle strutture di riciclaggio locali.
- Buste in plastica riciclabili da consegnare alle strutture di riciclaggio locali.

10.2 Riciclaggio del caminetto

Il caminetto è composto dai seguenti materiali:

- Metallo riciclabile da consegnare alle strutture di riciclaggio locali.
- Vetro da smaltire come rifiuto pericoloso. Il vetro contenuto nel caminetto non deve essere collocato in un normale contenitore per rifiuti domestici.
- Piastre refrattarie in vermiculite da smaltire nei normali contenitori per rifiuti domestici.

11.0 Termini della garanzia

1. La nostra garanzia copre:

Jøtul AS garantisce che i componenti esterni in ghisa sono esenti da difetti di materiali o lavorazione al momento dell'acquisto. È possibile estendere la garanzia per i componenti esterni in ghisa fino a 25 anni dalla data di consegna registrando il prodotto sul sito jotul.com e stampando la scheda di garanzia estesa entro tre mesi dall'acquisto. Consigliamo di conservare la scheda della garanzia assieme allo scontrino. Jøtul AS garantisce inoltre che i componenti delle piastre in acciaio sono esenti da difetti di materiali o lavorazione al momento dell'acquisto per un periodo di 5 anni dalla data di consegna.

La garanzia è valida a condizione che la stufa sia stata installata da un installatore qualificato conformemente con le leggi e normative applicabili e con le istruzioni di installazione e operative di Jøtul. I prodotti riparati e gli articoli sostitutivi sono garantiti per il periodo originale della garanzia.

2. La garanzia non copre:

- 2.1. Danni ai consumabili come le piastre refrattarie, le grate del fuoco, i parafiamma, le guarnizioni ed elementi simili, essendo soggetti a deterioramento nel tempo a causa della normale usura
- 2.2. Danni causati da manutenzione impropria, surriscaldamento, uso di combustibile non idoneo (esempi di combustibili non idonei sono, senza limitazione, cumuli di legname trasportato dalla corrente, legna impregnata, ritagli di assi, truciolato) o legna troppo umida/bagnata
- 2.3. Installazione di accessori opzionali per la modifica delle condizioni di tiraggio locali, la circolazione dell'aria o altre circostanze al di fuori del controllo di Jøtul
- 2.4. Casi di alterazione / modifica del focolare senza il previo consenso di Jøtul o l'utilizzo di parti non originali
- 2.5. Danni causati durante l'immagazzinaggio presso un distributore, il trasporto dal distributore o durante l'installazione
- 2.6. Prodotti venduti da rivenditori non autorizzati in aree in cui Jøtul opera un sistema di distribuzione selettiva
- 2.7. Costi associati (ad es., senza limitazione, trasporto, manodopera, trasferimento) o danni indiretti

Stufe a pellet, vetro, pietra, cemento, smalto e finitura a vernice (ad es., senza limitazione, scheggiatura, formazione di crepe, bolle o scolorimento e screpolatura) sono applicabili alle normative nazionali che disciplinano la vendita dei prodotti al consumo. La presente garanzia è valida per gli acquisti effettuati all'interno del territorio dello Spazio economico europeo. Qualsiasi domanda relativa alla garanzia deve essere rivolta al rivenditore Jøtul autorizzato di zona entro un periodo di tempo ragionevole, non successivo a 14 giorni dalla data in cui il guasto o il difetto si sono manifestati per la prima volta. Vedere l'elenco dei rivenditori sul nostro sito Web.jotul.com.

Se Jøtul non sarà in grado di rispettare i termini della garanzia per la stufe del cliente (fuori produzione), Jøtul offrirà al cliente una stufa di pari capacità di riscaldamento ma di modello differente.

Jøtul si riserva il diritto di rifiutare qualsiasi sostituzione di componenti o attività di assistenza nel caso in cui la garanzia non sia stata registrata online. La presente garanzia non pregiudica alcun diritto previsto dalle normative nazionali che disciplinano la vendita di prodotti al consumo. Il diritto di reclamo del cittadino è valido dalla data di acquisto e solo dietro presentazione di scontrino/numero di serie.

Inhoudsopgave

Installatiehandleiding met technische gegevens

1.0	Wettelijke voorschriften	65
2.0	Technische gegevens	65
3.0	Veiligheid.....	67
4.0	Installatie	68
5.0	Dagelijks gebruik	74
6.0	Groot onderhoud	76
7.0	Onderhoud	78
8.0	Gebruiksproblemen - problemen oplossen	78
9.0	Optionele accessoires	79
10.0	Recycling.....	79
11.0	Garantievoorwaarden.....	79

Registreer uw haard op www.jotul.com met het oog op de garantie van 25 jaar.

Product: Jøtul Room heater fired by solid fuel				CE
Standard Minimum distance to adjacent combustible materials: Emission of CO in combustion products: Flue gas temperature Nominal heat output Efficiency Operation range Fuel type Operational type The appliance can be used in a shared flue.				
Country	Classification	Certificate/standard	Approved by	
Norway	Klasse II			
Sweden	etc.	SP	SP-Sveriges Provnings- och Forskningsinstitut AB	
EUR	Intermittent	EN	SP-Sveitsen National Testing and Research Institute	
Follow user's instructions. Use only recommended fuels. Montage- und Bedienungsanleitung beachten. Verwenden Sie nur empfohlenen Brennstoffen. Respectez les consignes d'utilisation. Utilisez uniquement les combustibles recommandés.				
Serial no. Y-xxxx. Year: 200x				
Manufacturer: Jøtul AS POB 1441 N-1622 Fredrikstad Norway				221546

Al onze producten zijn voorzien van een label met een serienummer en een jaartal. Noteer dit nummer op de daarvoor bestemde plaats in de installatie-instructies.

Geef dit serienummer altijd door als u contact opneemt met uw leverancier of Jøtul.

Serial no.

1.0 Wettelijke voorschriften

Een haard moet in elk land volgens de lokale regels en voorschriften worden geïnstalleerd.

Bij het installeren van het product moeten alle lokale voorschriften, inclusief de bepalingen die betrekking hebben op nationale en Europese normen, worden nageleefd.

Lees de installatiehandleiding zorgvuldig door voordat u de kachel of haard installeert. Voordat het product wordt gebruikt, moet de installatie door een bevoegd persoon zijn geïnspecteerd.

Een naamplaat van hittebestendig materiaal is bevestigd op het product aan de binnenzijde van de voet. Op het typeplaatje staan typegegevens van het product en verwijzingen naar documentatie

2.0 Technische gegevens

Materiaal:	Gietijzer
Afwerking:	zwarte lak
Brandstof:	Hout
Max. lengte blokken:	33 cm
Kacheluitlaat:	Boven/achter
Afmeting kachelpijp:	Ø150 mm, 177 cm ² doorsnede
Gewicht:	ongeveer 140 kg
Gewicht, spekstenen zijpanelen:	ongeveer 80 kg
Gewicht, stalen zijpanelen:	ongeveer 20 kg
Gewicht, spekstenen bovenkant (optionele accessoires):	ongeveer 20 kg
Optionele accessoires:	Spekstenen bovenkant compleet, stalen zijpanelen compleet, spekstenen compleet, ventilator, haardset.

Afmetingen, afstanden: Zie fig. 1a

Technische gegevens conform EN 13240

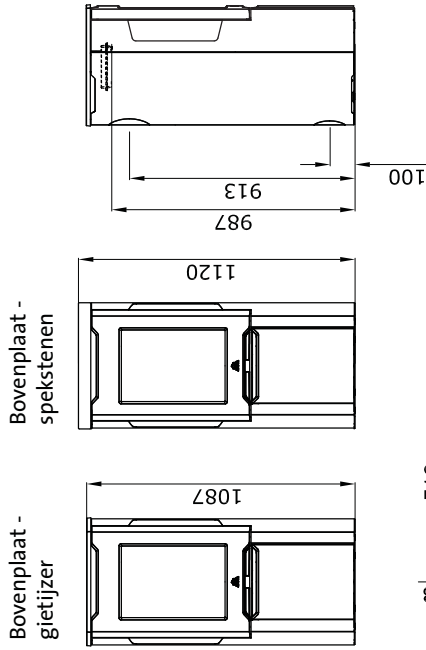
Nominale warmteafgifte:	5 kW
Massastroom rookgas:	5,0 g/s
Aanbevolen schoorsteentrek:	12 Pa
Efficiëntie:	82% @ 5,9 kW
CO-uitstoot (13% O ₂):	0,10%
CO-uitstoot (13% O ₂):	1242 mg/Nm ³
Rookgastemperatuur:	260° C
Werkingstype:	cyclisch

Onder cyclische verbranding wordt normaal gebruik van een haard verstaan. Dit houdt in dat een nieuwe verbrandingskamer wordt ontstoken zodra de brandstof is opgebrand tot de juiste hoeveelheid gloeiende as.

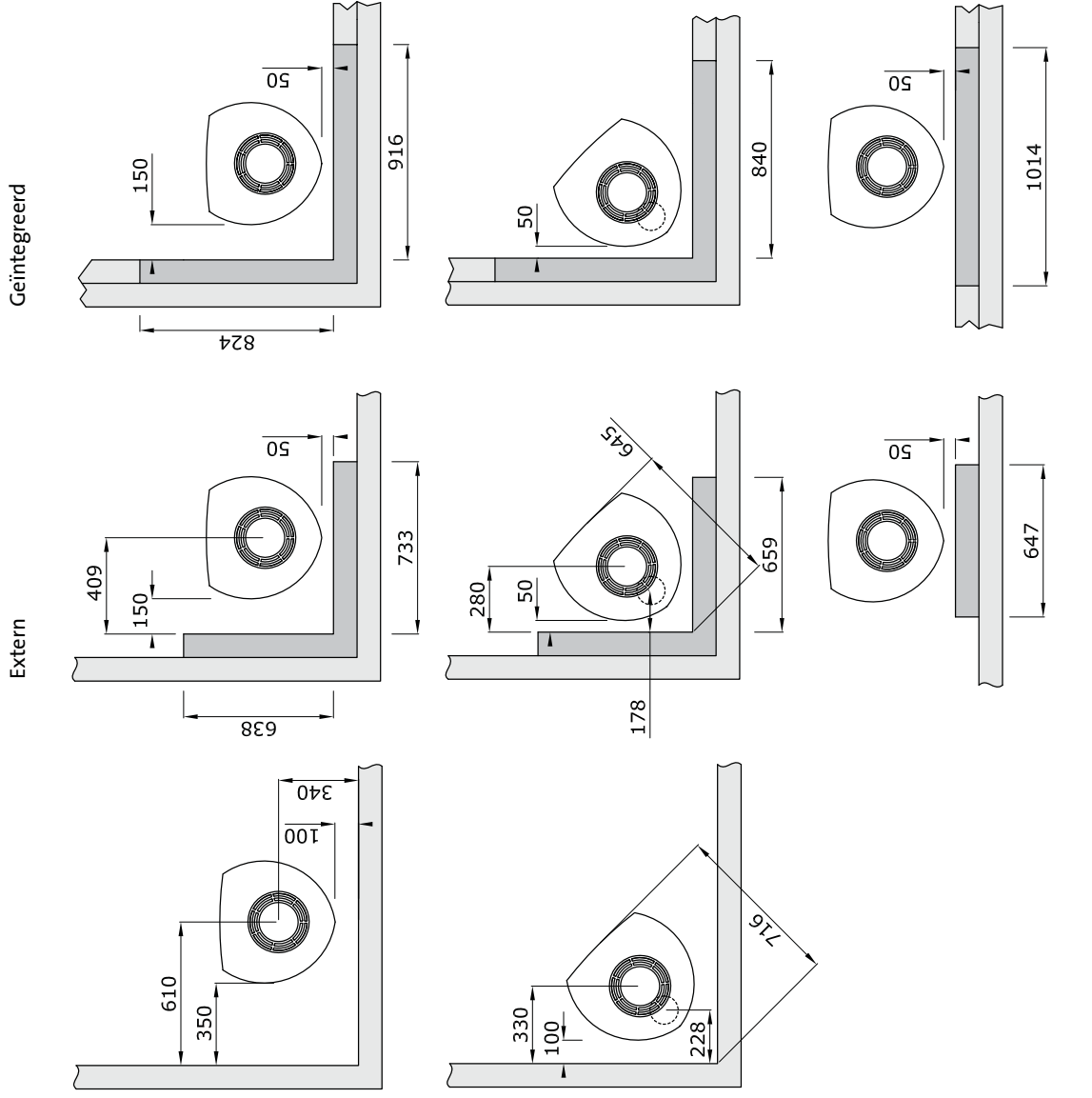
Jøtul F 263

Fig.1

Minimale ruimte t.ov. brandbare muur:



Minimale afstand tot brandbare muur beschermd door brandmuur:



Minimale afmetingen voor de vloerplaat X/Y = In overeenstemming met nationale wet- en regelgeving. Zie hoofdstuk 4.1

Toevoer van frisse lucht

De lucht die gebruikt wordt voor verbranding in een goed geïsoleerd huis moet worden verversd. Dit is met name van belang voor huizen met mechanische ventilatie. Deze luchtverversing kan op een aantal manieren worden bereikt. Het belangrijkste is dat er lucht wordt aangevoerd naar de ruimte waar de kachel geplaatst is. Plaats de klep in de buitenmuur zo dicht mogelijk bij de kachel en zorg ervoor dat deze gesloten kan worden als de kachel niet gebruikt wordt.

Volg de nationale en lokale bouwvoorschriften voor het aansluiten van de toevoer van frisse lucht.

Zorg dat de ventilatieopeningen in de ruimte waar de haard zich bevindt, niet zijn geblokkeerd

Gesloten verbrandingssysteem

Gebruik het gesloten verbrandingssysteem van de kachel als u in een recent gebouwde, luchtdichte woning woont. Sluit de externe verbrandingslucht aan via een ventilatiepijp door de muur of de vloer.

Luchttoevoer

De hoeveelheid verbrandingslucht voor Jøtul-producten is ongeveer 20-40 m³/h. De externe luchtaansluiting kan direct op de Jøtul F 260 Series worden aangesloten door middel van

- door een flexibele toevoerslang van buitenaf/schoorsteen (alleen als de schoorsteen een eigen kanaal heeft voor externe lucht) op de externe luchtaansluiting van het product.

Fig. 2A, via een buitenmuur

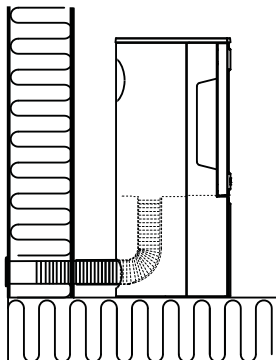


Fig. 2B, via de vloer en grondplaat

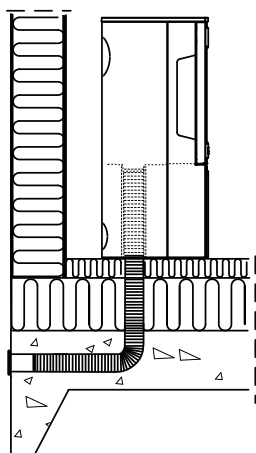


Fig. 2C, via de vloer en kelder

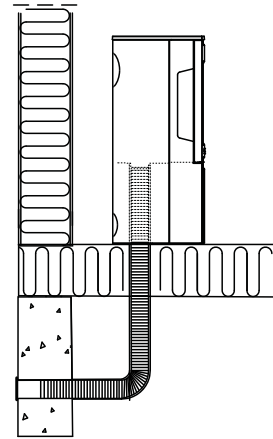
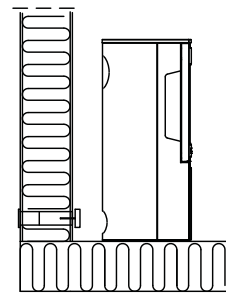


Fig. 2D, indirect via een buitenmuur



3.0 Veiligheid

NB! Om zeker te zijn van optimale prestaties en veiligheid, dienen de kachels van Jøtul altijd te worden geplaatst door een gekwalificeerde installateur.

Aanpassingen aan het product door de distributeur, installateur of consument kunnen ertoe leiden dat het product en de beveiligingen niet naar behoren functioneren. Hetzelfde geldt voor de installatie van niet door Jøtul geleverde accessoires of optionele extra's. Dit kan ook het geval zijn indien essentiële onderdelen voor het functioneren en de veiligheid van de haard gedemonteerd of verwijderd worden.

In al deze gevallen is de fabrikant niet verantwoordelijk of aansprakelijk voor het product en het recht op reclamatie komt hierdoor te vervallen.

3.1 Maatregelen op het gebied van brandpreventie

Elk gebruik van de haard brengt een zeker risico met zich mee. Neem daarom de volgende instructies nauwkeurig in acht:

- De minimale veiligheidsafstanden tijdens het gebruik van de haard zijn weergegeven in fig. 1. De specifieke afstand tot brandbare materialen behoort tot deze kachel. De afstand van de rookgasafvoer tot brandbare materialen moet ook gecontroleerd worden.
- Zorg ervoor dat er geen meubels of andere brandbare materialen te dicht bij de haard staan. Brandbare materialen mogen nooit binnen 1 meter afstand van de haard geplaatst worden.

NEDERLANDS

- Laat het vuur vanzelf uitgaan. Blus het vuur nooit met water.
- De haard wordt tijdens gebruik warm en kan bij aanraking brandwonden veroorzaken.
- Verwijder de as niet voordat de haard koud is. De as kan smeulende resten bevatten en moet daarom in een onbrandbare bak worden bewaard.
- De as moet naar buiten worden afgevoerd of worden weggegooid op een plek waar geen brandgevaar bestaat.

Bij brand in de schoorsteen:

- Sluit alle luiken en ventilatieopeningen.
- Houd de deur van de vlamkast gesloten.
- Controleer of er rook is op zolder en in de kelder.
- Bel de brandweer.
- Voordat u de haard opnieuw in gebruik neemt na een brand, moet een deskundige de haard en de schoorsteen controleren om na te gaan of deze goed werkt.

3.2 Vloer

Fundament

Zorg ervoor dat de vloer sterk genoeg is voor de haard. Zie «**2.0 Technische gegevens**» voor gewichten. Aanbevolen wordt om een vloer die niet aan het fundament bevestigd is, een zogenaamde zwevende vloer, bij de installatie te verwijderen.

Vloerbedekking

Het product heeft een luchtdichte bodemplaat. Het gebruik van extra vloerbedekking onder het product is dus overbodig. **Jøtul raadt aan dat alle vloeren van brandbaar materiaal, zoals linoleum, tapijt, enz. onder de vloerplaat verwijderd moet worden.**

Vloerplaat

De plaat moet in overeenstemming zijn met nationale wetten en voorschriften.

Neem contact op met de afdeling Bouwtoezicht van uw gemeente voor informatie over beperkingen en installatie-eisen.

3.3 Muren (fig. 1a)

Afstand tot muur van brandbaar materiaal

Afstand tot muur met geïsoleerde kachelpijp: Zie fig. 1

Afstand tot muren beschermd door een brandmuur (fig. 1b)

Neem contact op met de afdeling Bouwtoezicht van uw gemeente voor informatie over beperkingen en installatie-eisen.

Eis brandmuur

De brandmuur moet minimaal **100 mm** dik zijn en van baksteen, betonsteen of licht beton zijn gemaakt. Andere materialen en constructies met de juiste documentatie mogen ook worden gebruikt.

Afstand tot niet-brandbare muren

Onder niet-brandbaar wordt verstaan een niet-dragende muur van massief metselwerk/beton.

Neem contact op met de afdeling Bouwtoezicht van uw gemeente voor informatie over beperkingen en installatie-eisen.

3.4 Plafond

Als het plafond boven de haard van brandbaar materiaal is gemaakt, moet de minimale afstand tussen de haard en het plafond **1000 mm** zijn.

4.0 Installatie

Het product is geleverd in minimaal 2 verpakkingen.

Let op: controleer voordat u met de installatie begint of de haard onbeschadigd is. Let op! Zorg ervoor dat meubilair en andere huishoudartikelen niet zo dicht bij de kachel staan dat ze kunnen uitdrogen.

Het product is zwaar! Zorg voor hulp bij het neerzetten en installeren van de haard.

4.1 Schoorstenen en kachelpijpen

- De haard kan worden aangesloten op een schoorsteen en kachelpijp die zijn goedgekeurd voor met vaste brandstof gestookte apparaten met rookgastemperaturen zoals gespecificeerd in «**2.0 Technische gegevens**».
- De doorsnede van de schoorsteen moet minimaal even groot zijn als de doorsnede van de kachelpijp. Zie «**2.0 Technische gegevens**» voor het berekenen van de juiste doorsnede van de schoorsteen.
- Als de doorsnede van de schoorsteen groot genoeg is, kunnen er meerdere met vaste brandstof gestookte apparaten op dezelfde schoorsteen worden aangesloten.
- De aansluiting op de schoorsteen moet voldoen aan de installatie-instructies van de leverancier van de schoorsteen.
- Voordat u een opening in de schoorsteen maakt, moet de haard op proef worden gemonteerd om de juiste positie van de haard en het gat in de schoorsteen te kunnen bepalen. Zie fig. 1 voor minimale afmetingen.
- Zorg dat de kachelpijp helemaal tot aan de schoorsteen omhoog loopt.
- Gebruik een kachelpijpbocht met een veegluik, zodat de pijp kan worden geveegd.

Houd er rekening mee dat het erg belangrijk is dat aansluitingen enigszins flexibel zijn om te voorkomen dat bewegingen in de installatie barsten veroorzaken.

Let op: een juiste en luchtdichte aansluiting is van groot belang voor het goed functioneren van het product.

Schoorsteentrek; Zie «2.0 Technische gegevens». Als de trek te sterk is, kunt u een demper installeren en gebruiken om de trek te regelen.

4.2 Verwijdering van zelfsluitend mechanisme op deur

Bij levering is het zelfsluitende deurmechanisme vooraf geïnstalleerd. Dit kan indien gewenst worden verwijderd.

Fig. 3a

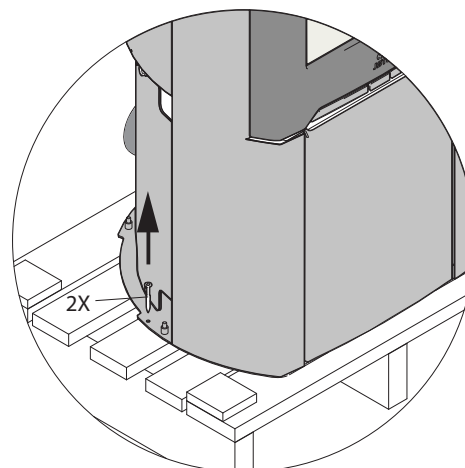
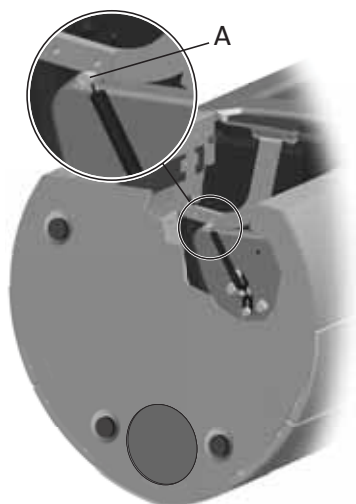


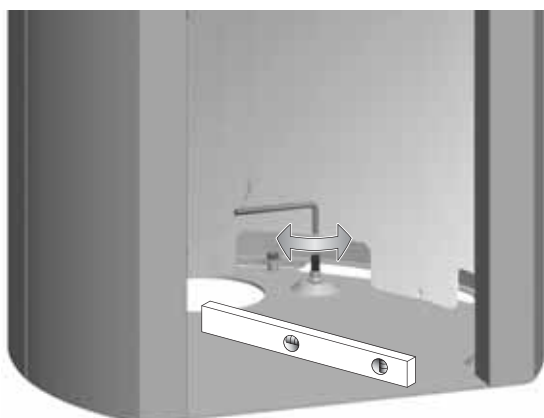
Fig. 3a



1. Verwijder de bout en de moer (fig. 3 A).
2. Haak de veer los en verwijder deze.

4.3 Stel de haard waterpas

Fig. 3b



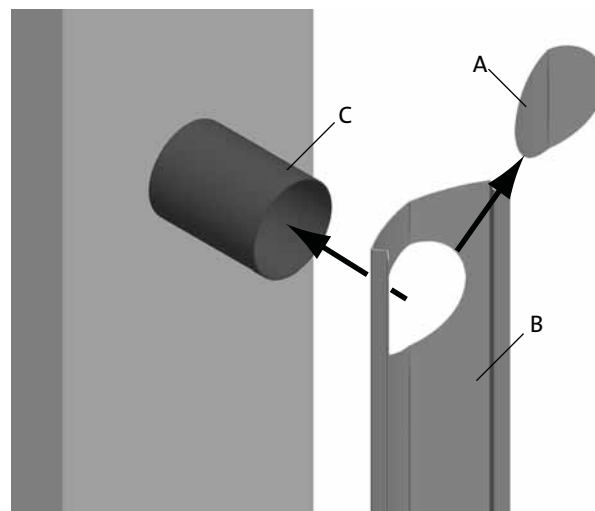
4.4 Aansluiten met een achteraansluiting

Het product is standaard geleverd vanaf de fabriek met een boven aansluiting.

NB! Ga als volgt te werk voor een installatie voor een achteraansluiting:

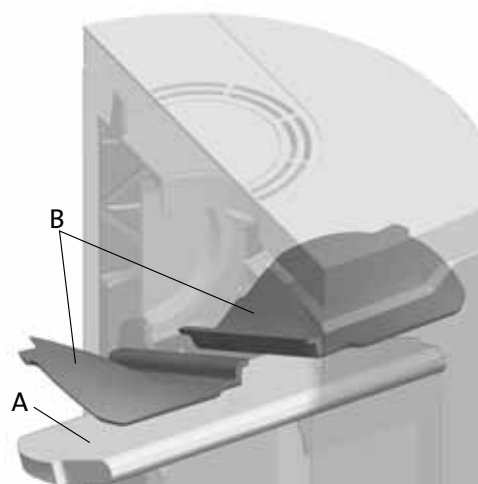
Fig. 4

Bij installatie met spekstenen zijpanelen moet de achterplaat (Fig. 4 B) eerst voorbereid worden voordat het product op de definitieve positie geplaatst wordt.



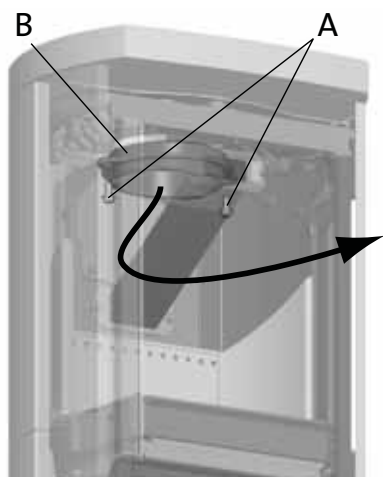
1. Sla de verwijderbare afdekplaat (Fig. 4 A) uit de achterplaat (Fig. 4 B).
2. Laat de achterplaat voorzichtig aan de kachelpijp hangen (Fig. 4 C).
3. Plaats het product in de juiste positie. (Zie Fig. 1 A).

Fig. 5



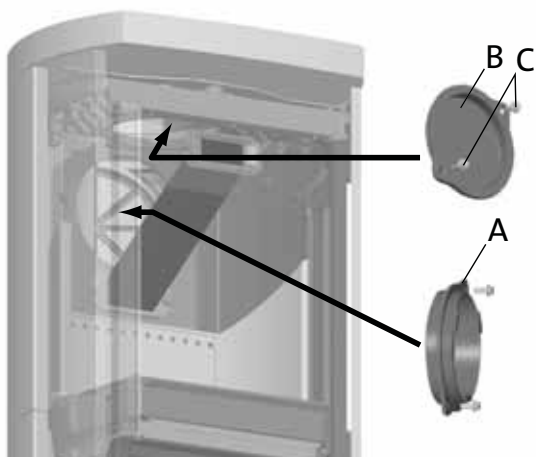
1. Til het schot (fig. 5 A) voorzichtig op.
2. Verwijder een van de branderplaten aan de zijkant door deze iets omhoog en vervolgens naar buiten te bewegen. (Wees voorzichtig met gereedschap. De vermiculietplaten kunnen anders beschadigd raken.)
3. Verwijder het schot.
4. Verwijder de andere branderplaat aan de zijkant.
5. Verwijder de uitlaatplaten (fig. 5 B).

Fig. 6



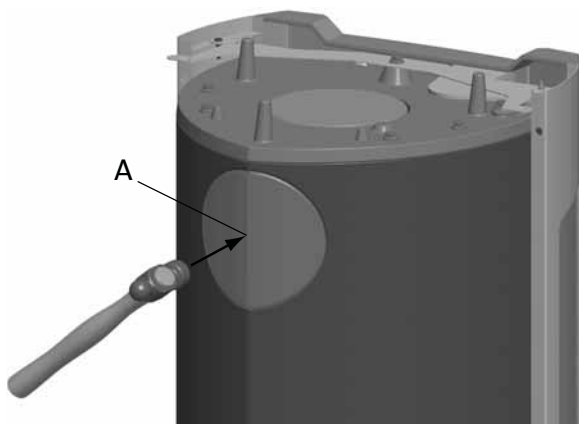
1. Draai de schroeven los (fig 6 A) en verwijder de rookgasaansluiting (fig 6 B) van de bovenaansluiting aan de binnenzijde van de verbrandingskamer

Fig. 7



1. Draai de schroeven los (fig. 7 C) en verwijder de afdekplaat (fig. 7 B) van de achteraansluiting aan de binnenzijde van de verbrandingskamer.

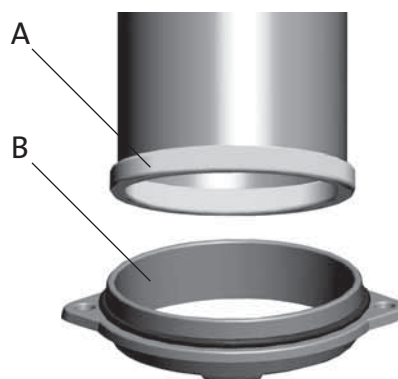
Fig 8



1. Verwijder de verwijderbare platen (fig. 8 A).
2. Sluit de rookgasaansluiting (fig. 7 A) aan de binnenzijde van de verbrandingskamer waar de afdekplaat was.
3. Plaats de afdekplaat (fig. 7 B) waar de rookgasaansluiting was.
4. Plaats de rookgasomleidingsplaten (fig. 5 B) en de vlamkeerplaat terug (fig. 5 A).

1.

Fig. 9

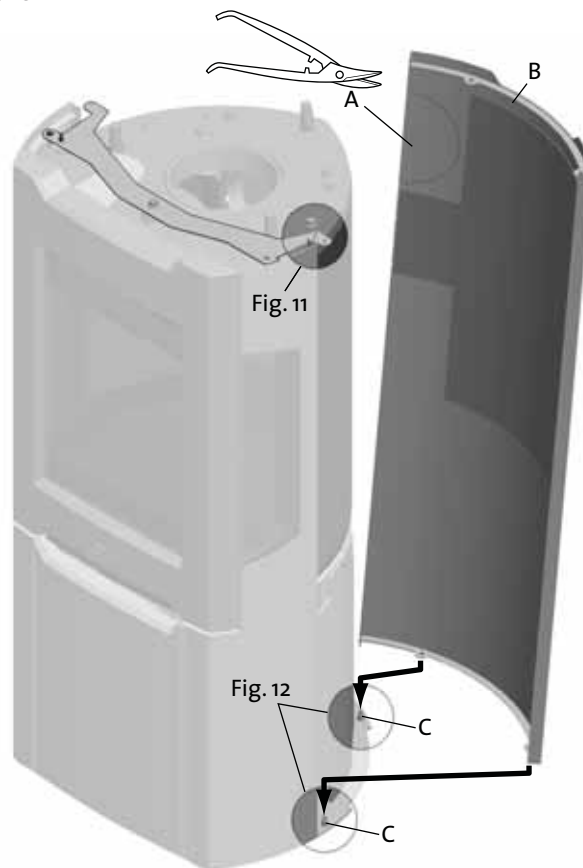


1. Plaats de pakking (Fig. 9 A) uit de zak met schroeven rond de hoeken van de kachelpijpen druk deze in de rookuitlaat (Fig. 9 B).

4.5 Monteren van de zijpanelen

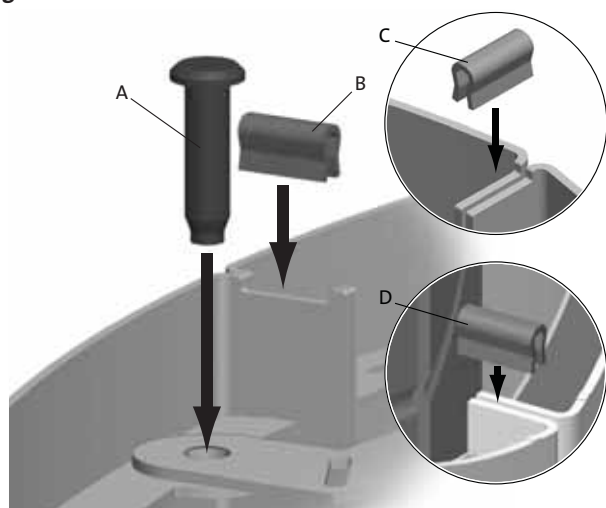
Stalen zijpanelen

Fig. 10



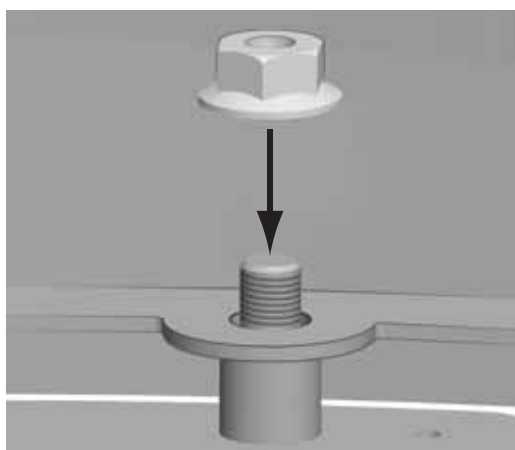
1. In geval van een achteruitlaat: Gebruik een geschikt gereedschap om de afdekplaat (Fig. 10 A) in het zijpaneel (Fig. 10 B) te verwijderen.
2. Til het zijpaneel op en plaats deze vervolgens op de bouten (Fig. 10 C en Fig. 12).
3. Monteer het andere stalen zijpaneel op dezelfde manier.

Fig. 11



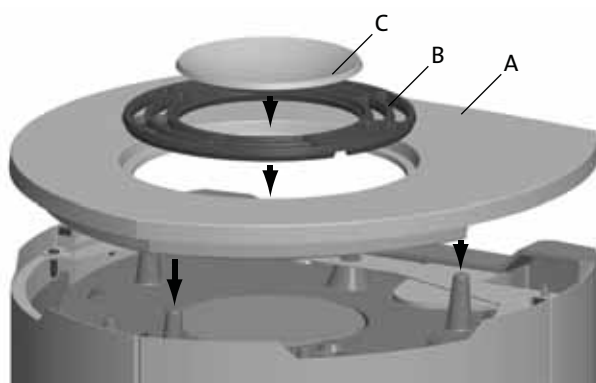
1. Monteer de pennen (Fig. 11 A) en de klemmen (Fig. 11 B).
2. Voeg de twee zijpanelen samen met behulp van een klem (Fig. 11 C).
3. In geval van een achteruitlaat: Monteer een extra klem in het onderste deel van de opening (Fig. 11 D).

Fig. 12



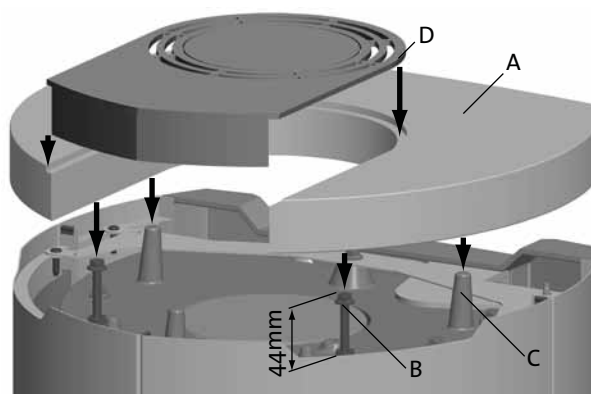
1. Monteer de moeren aan de binnenkant van de basis.

Fig. 13



1. Plaats de bovenplaat (Fig. 13 A), het luchtrooster (Fig. 13 B) en de kom (Fig. 13 C).

In geval van een spekstenen bovenplaat: Fig. 14



1. Vervang de schroeven met de meegeleverde bout en moer (Fig. 14 B).
2. Plaats de spekstenen bovenplaat (Fig. 14 A) op de schroeven (Fig. 14 B) en op de uitsteeksels (Fig. 14 C).
3. Draai de schroeven (Fig. 14 B) aan totdat de spekstenen bovenplaat waterpas staat.
4. Plaats de stalen afdekking (Fig. 14 D).

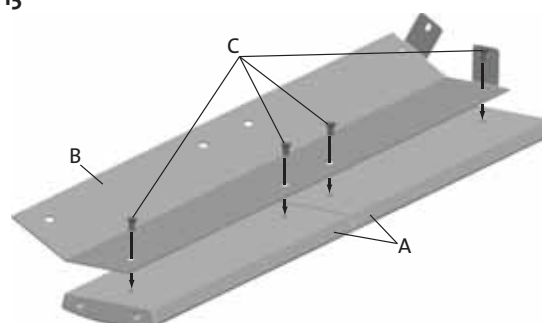
Spekstenen zijpanelen

Belangrijk!

Houd in gedachten dat de stenen beschadigd kunnen raken als er ruw mee wordt omgegaan. De installatie dient door een erkende monteur te worden uitgevoerd.

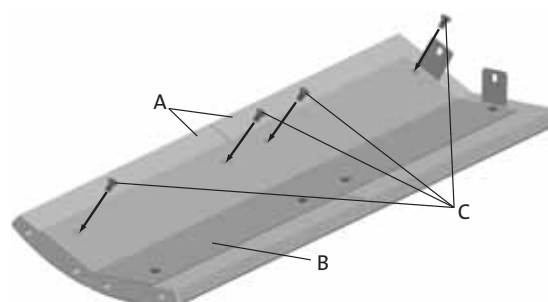
Bij een rookuitlaat aan de achterkant moet de achterplaat worden voorbereid zoals aangegeven in figuur 4.

Fig. 15



1. Plaats voorzichtig twee spekstenen (Fig. 15 A) op de ondergrond.
2. Monteer de beugel (Fig. 15 B) met behulp van 4 schroeven (Fig. 15 C). Haal de schroef nog niet volledig aan.

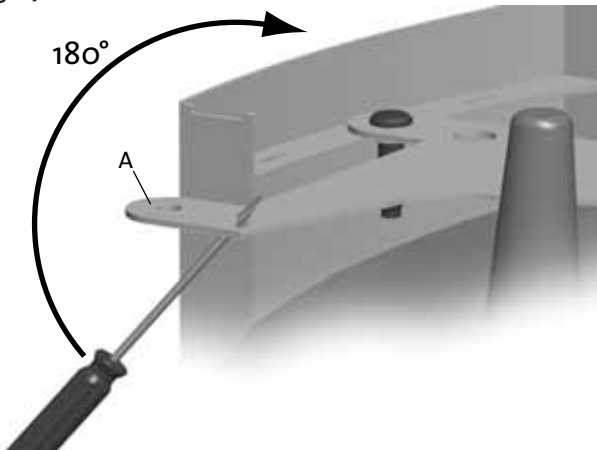
Fig. 16



1. Monteer de volgende twee spekstenen (Fig. 16 A) op de beugel (Fig. 16 B) met behulp van 4 schroeven (Fig. 16 C). Haal de schroef nog niet volledig aan.

NEDERLANDS

Fig. 17

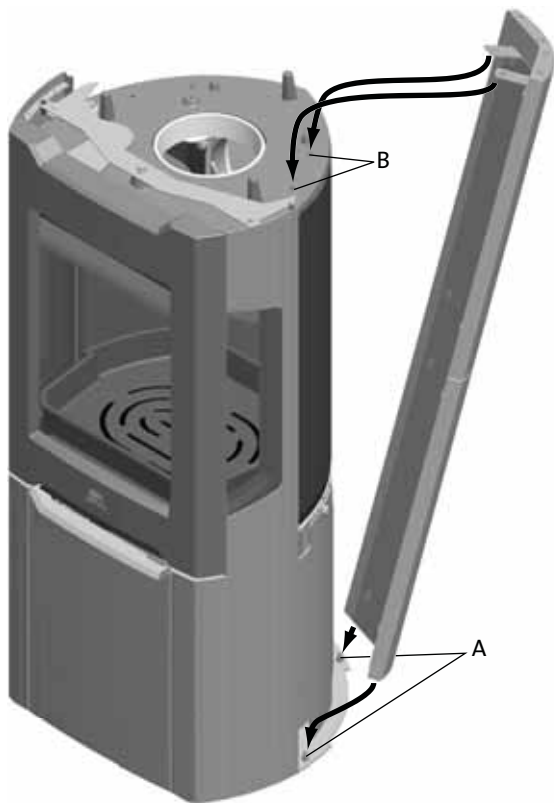


1. Buig het buitenste deel (Fig. 17 A) van de beugel omhoog.

In geval van een rookuitlaat achter:

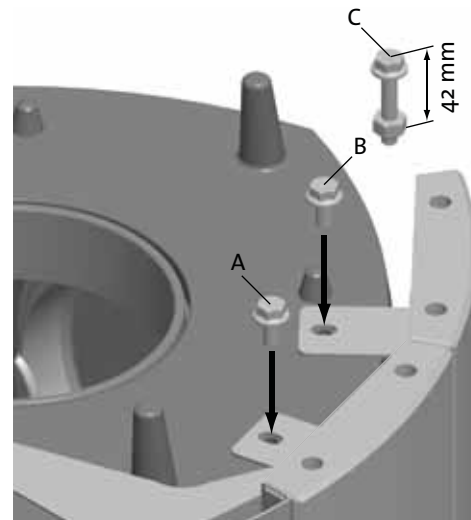
Plaats de achterplaat (Fig. 4 B) en monteer deze tijdelijk zoals afgebeeld in figuur 21.

Fig. 18



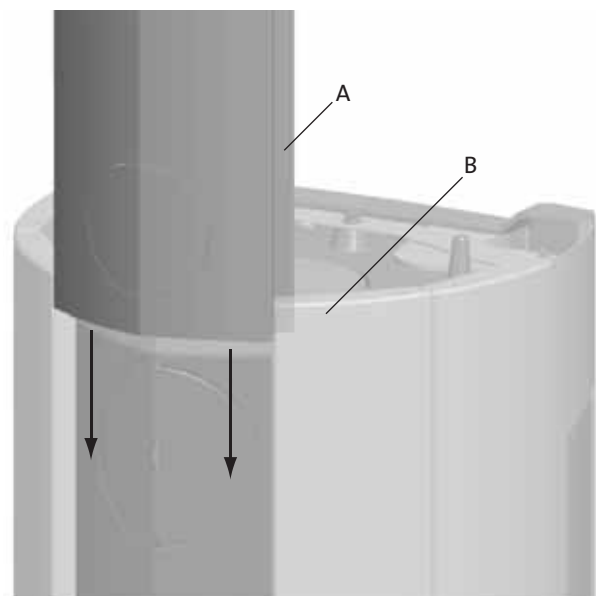
1. Hef het spekstenen zijpaneel voorzichtig op.
2. Stel de positie van de speksteen af en haal de schroeven aan.
3. Til het spekstenen paneel omhoog en plaats deze voorzichtig op de bouten (Fig. 18 A).
4. Druk daarna het bovenste deel van het spekstenen zijpaneel op de verbrandingskamer (Fig. 18 B).

Fig. 19



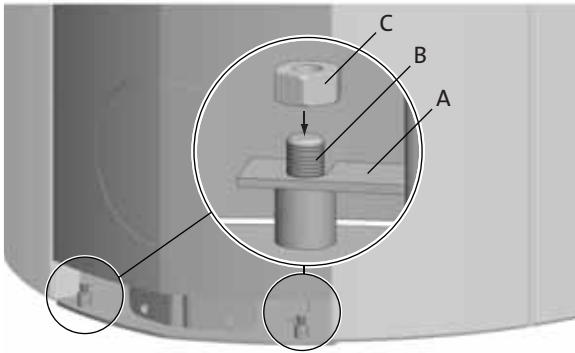
1. Monteer het spekstenen zijpaneel met de schroeven op de verbrandingskamer (Fig. 19 A en B).
2. **In geval van een spekstenen bovenplaat:** Vervang de schroeven (Fig. 19 B) met de meegeleverde bouten en moeren (Fig. 19 C).
3. Monteer het andere spekstenen zijpaneel op dezelfde manier.

Fig. 20



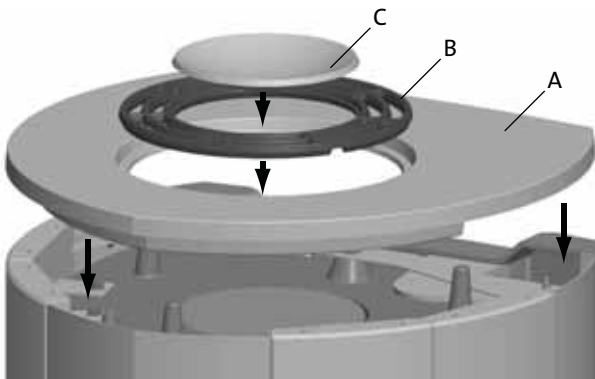
1. Til de achterplaat op (Fig. 20 A) en schuif deze naar beneden tussen de spekstenen zijpanelen (Fig. 20 B).

Fig. 21



1. Plaats de achterplaat (Fig. 21 A) op de bouten (Fig. 21 B).
2. Monteer de moeren vanuit de binnenkant van de basis (Fig. 21 C).

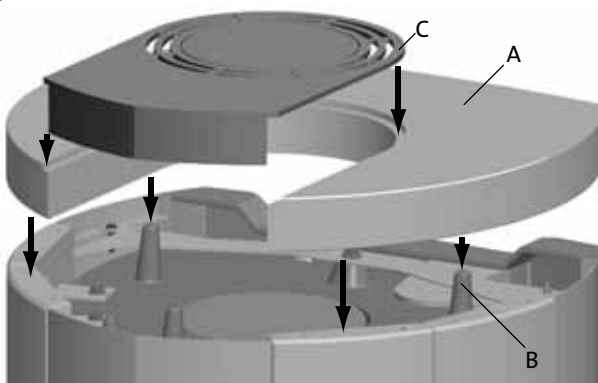
Fig. 22



1. Plaats de bovenplaat (Fig. 22 A), het luchtrooster (Fig. 22 B) en de kom (Fig. 22 C).

In geval van een spekstenen bovenplaat:

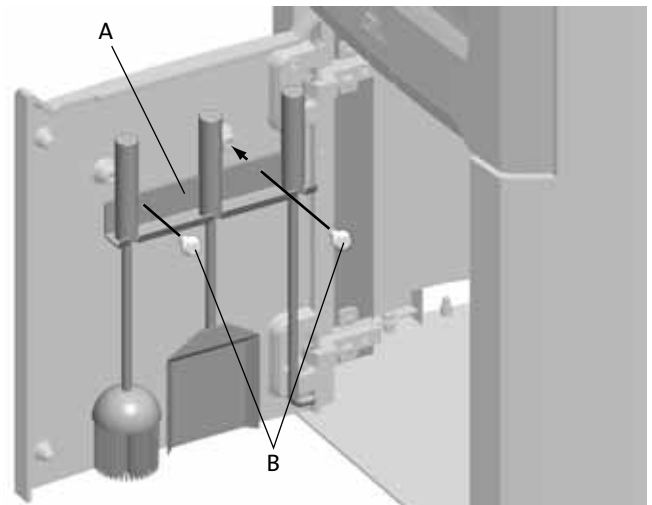
Fig. 23



1. Plaats de spekstenen bovenplaat (Fig. 23 A) op de uitsteeksels (Fig. 23 B).
2. Plaats de stalen afdekking (Fig. 23 C).

4.6 Monteren van de haardset (optionele extra's)

Fig. 24



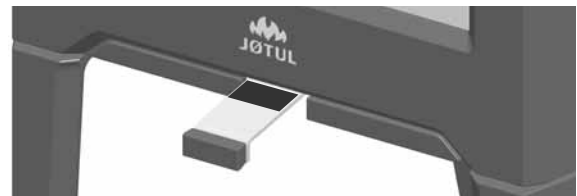
1. Monteer de beugel (Fig. 24 A) aan de deur met behulp van de schroeven (Fig. 24 B).

4.7 Controle van de bedieningselementen

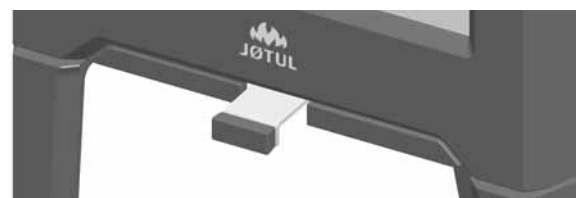
Controleer na de plaatsing van het product altijd de bedieningselementen. Deze moeten gemakkelijk beweegbaar zijn en naar behoren functioneren.

Het product is uitgerust met één hendel. Met deze hendel wordt zowel de ontstekingsopening als de luchtopening afgesteld.

- Volledig uitgetrokken (label zichtbaar): ontsteking.



- Volledig ingedrukt (label niet zichtbaar): luchtopening.



5.0 Dagelijks gebruik

Geur bij eerste gebruik van de haard

Als de haard voor de eerste keer wordt gebruikt, kan irriterend gas vrijkomen dat onaangenaam kan ruiken. Dit gebeurt omdat de verf opdroogt. Het gas is niet giftig, maar toch is het beter om de ruimte goed te ventileren. Stook het vuur flink op totdat alle sporen van gas zijn verdwenen en geen rook of geuren meer zijn waar te nemen.

5.1 Bediening

Brandadvies

NB: Blokken hout die buiten of in een koude ruimte zijn opgeslagen moeten 24 uur voor gebruik naar binnen worden gehaald zodat ze op kamertemperatuur kunnen komen. Er zijn verschillende manieren waarop in de kachel gestookt kan worden, maar het is belangrijk dat u altijd voorzichtig bent met het materiaal dat u in de kachel stopt. Zie het hoofdstuk "Houtkwaliteit".

Houtkwaliteit

Met kwaliteitshout bedoelen we de meest bekende soorten hout zoals berk, spar en den.

De blokken moeten goed worden gedroogd zodat er niet meer dan 20% vocht in zit.

Om dit te bereiken moet het hout aan het einde van de winter worden gehakt. De blokken moeten worden gekloofd en dusdanig worden gestapeld dat er voldoende ventilatie is. De houtstapel moet worden afgedekt om de blokken tegen regen te beschermen. De blokken moeten begin herfst naar binnen worden gehaald en worden gestapeld/opgeslagen voor gebruik in de komende winter.

Let er goed op dat u de volgende materialen nooit als brandstof voor uw haard gebruikt:

- Huishoudelijk afval, plastic tassen, enz.
- Geverfd of geïmpregneerd hout (dat is uiterst giftig).
- Gelamineerde houten planken.
- Drijfhout

Deze kunnen schade toebrengen aan het product en zijn ook vervuilend.

NB: Gebruik nooit benzine, paraffine, methylalcohol of dergelijke vloeistoffen om het vuur aan te steken. Dit kan leiden tot ernstig persoonlijk letsel en schade aan het product.

Houtverbruik

Houtverbruik met nominale warmteafgifte: ca. 1,6 kg/u. Een andere belangrijke factor voor het juiste brandstofverbruik is dat de blokken van het juiste formaat zijn. De blokken moeten het volgende formaat hebben:

Aanmaakhout:

Lengte: 23 - 33 cm

Diameter: 2 - 5 cm

Hoeveelheid per vuur: 6 - 8 stuks

Dagelijks gebruik:

Brandhout (gehakte blokken):

Lengte: 23 - 33 cm

Diameter: Ongeveer 8 cm

Intervallen voor het aanvullen

van het hout: ongeveer iedere 45 minuten

Grootte van het vuur: 1,2 kg

Hoeveelheid per lading: 2 stuks

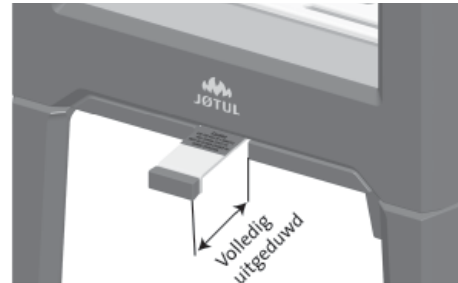
De nominale warmteafgifte wordt bereikt wanneer de ventilatieopening ongeveer 57% is geopend.

Maximum gebruik:

Max. lading hout: 2,9 kg/h, max. 3 stuks, 2,2 kg per vulling

Ontsteking

Fig. 25



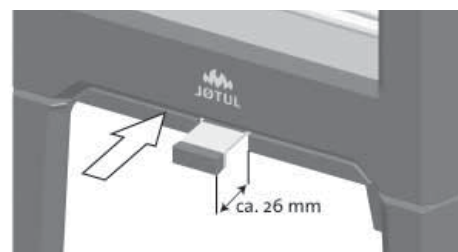
- Open de luchtopening en de ontstekingsopening door de hendels volledig uit te trekken. (Gebruik een handschoen of iets dergelijks om uw hand te beschermen als de hendels warm zijn.)



- Plaats twee blokken op de bodem van de verbrandingskamer en stapel het aanmaakhout hier in lagen op.
- Plaats tenslotte een middelgroot blok op deze stapel.
- Plaats 2 of 3 briketten of aanmaakblokken onder de bovenste laag aanmaakhout en steek het vuur aan.

Verwarming

Fig. 26



- Schuif de ontstekings-/ventilatieopening (fig. 26) zo'n 24 mm uit als het hout goed brandt.
- Sluit de deur.
- Daarna kunt u de verbranding reguleren en met behulp van de luchtopening voor meer of minder warmte zorgen.
- Controleer of de naverbranding (secundaire verbranding) goed op gang komt. Dat is het geval als er gele, flikkerende vlammen voor de gaten onder het schot op gang komen.
- Als de luchtstroom normaal is, kunt u de deur sluiten en zal het vuur automatisch branden.

Houtblokken toevoegen

Stook de kachel regelmatig op, maar gebruik alleen kleine hoeveelheden brandstof tegelijk. Als de kachel te vol is, kan de hitte voor extreme druk in de schoorsteen zorgen. Voeg altijd met mate brandstof bij. Vermijd smeulend vuur omdat dit het meest vervuilend is. Het vuur is het beste als het goed brandt en de rook uit de schoorsteen nauwelijks zichtbaar is.

5.2 Gevaar van oververhitting

De haard mag nooit zo gebruikt worden dat er oververhitting ontstaat.

Oververhitting treedt op als de haard te veel brandstof bevat en/of de luchtopening te ver openstaat zodat er te veel hitte wordt ontwikkeld. Een duidelijk teken van oververhitting is dat er onderdelen van de haard rood gloeien. Als dat gebeurt, moet u de luchtopening direct verkleinen.

Vraag om professioneel advies als u vermoedt dat er geen goede trek in de schoorsteen zit (te veel of te weinig trek). Voor meer informatie, zie «4.0 Installatie» (Schoorsteen en kachelpijp).

5.3 De as verwijderen

Het product beschikken over een aslade waarmee de as eenvoudig verwijderd kan worden.

Gebruik de haardset (Fig. 24).

Waarschuwing: de haardset kan heet worden!

Fig. 27



1. Schraap de as door het rooster (fig. 27 A) op de basisplaat en in de aslade. Gebruik een handschoen als u de hendel van de aslade vastpakt.
2. Zorg ervoor dat de aslade niet zo vol raakt dat er geen as meer door het rooster de lade in kan.

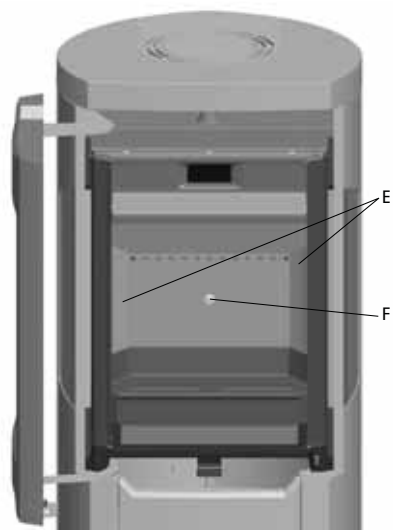
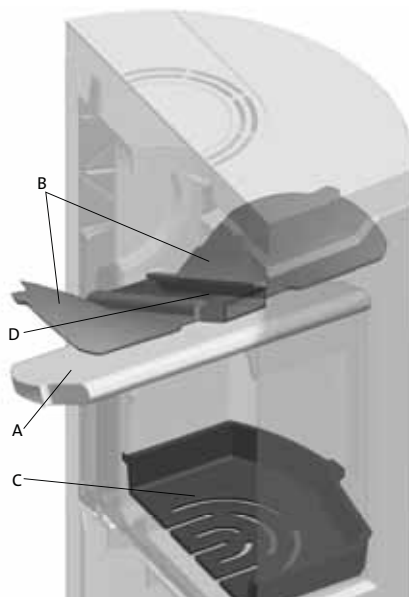
6.0 Groot onderhoud

Waarschuwing! Het is niet toegestaan dit product zonder toestemming te wijzigen.
Gebruik alleen originele reserveonderdelen.

Het onderhoud moet worden gedaan wanneer de kachel koud is!

6.1 Brandplaten/binnenste bodemplaat vervangen

Fig.28



1. Til het schot (**fig. 28 A**) voorzichtig op.
2. Verwijder een van de branderplaten aan de zijkant door deze iets omhoog en vervolgens naar buiten te bewegen. (Wees voorzichtig met gereedschap. De vermiculietplaten kunnen anders beschadigd raken.)
3. Verwijder het schot.
4. Verwijder de andere branderplaat aan de zijkant.
5. Draai de M8x25 mm schroef op de achterste brandplaat los (**fig. 28 F**) en verwijder de brandplaat.
6. Vervolgens brengt u de binnenste bodemplaat (**fig. 28 C**) omhoog en verwijdert u deze.

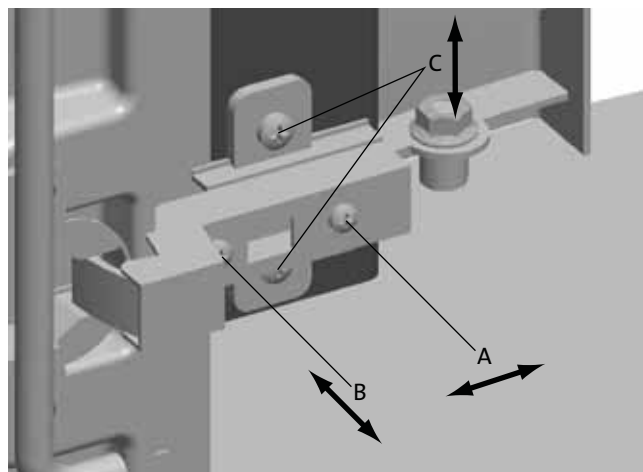
Volg dezelfde procedure als voor de installatie, maar dan in omgekeerde volgorde.

6.2 Keerplaat vervangen

- Volg stap 1-3 onder **fig. 28**.
 - U kunt dan makkelijk bij de rookplaten (**fig. 28 B**) als deze verwijderd moeten worden. Deze zitten op een knop op de zijkant en op het luchtverdeelstuk (**fig. 28 D**).
 - Kantel hem omlaag en verwijder hem via de deur.
- Voor het terugplaatsen volgt u dezelfde procedure, maar dan in omgekeerde volgorde.

6.3 Deur van basis afstellen

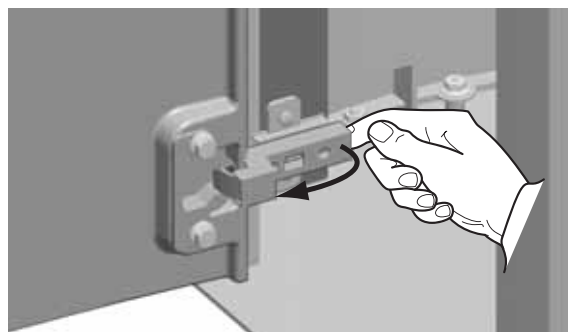
Fig. 29



6.4 Glas in zijpanelen vervangen

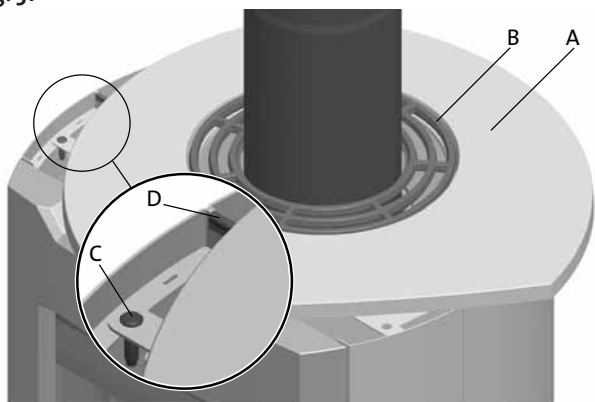
Indien nodig kan het glas in het zijpaneel worden vervangen.

Fig. 30



1. Verwijder de deur van de basis door tegen de achterkant van het scharnier te duwen.

Fig. 31



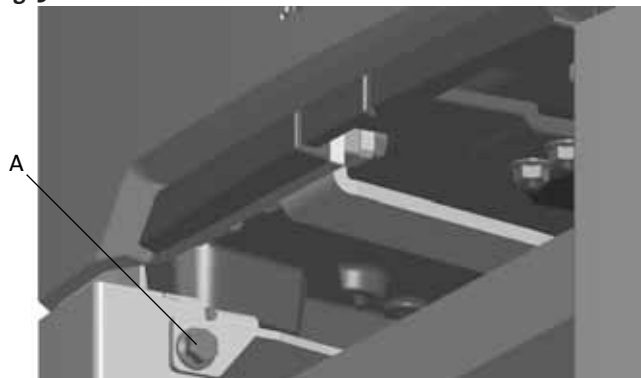
In geval van een rookuitlaat achter:

1. Til de bovenplaat (Fig. 31 A), het bovenrooster (Fig. 31 B) en de kom voorzichtig omhoog.
2. Verwijder de pen (Fig. 31 C) en de klem (Fig. 31 D).

In geval van een rookuitlaat boven:

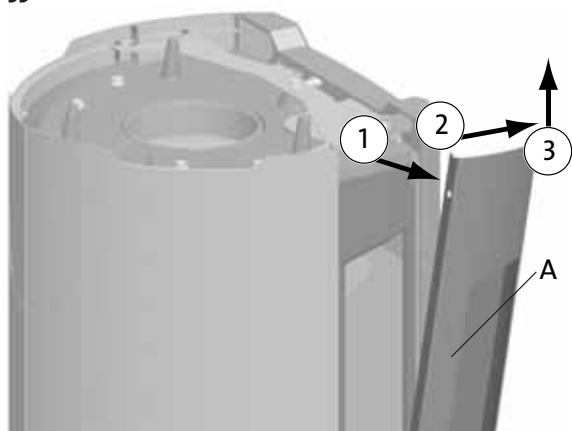
1. Til de bovenplaat (Fig. 31 A) en het bovenrooster (Fig. 31 B) voorzichtig omhoog.
2. Draai de bovenplaat en het bovenrooster ong. 60°.
3. Laat de bovenplaat en het bovenrooster op de kachel rusten.
4. Verwijder de pen (Fig. 31 C) en de klem (Fig. 31 D).

Fig. 32



1. Verwijder de schroef (Fig. 32 A) aan de binnenkant van de basis.

Fig. 33



1. Duw het zijpaneel naar buiten (Fig. 33 A).
 2. Kantel het zijpaneel voorzichtig naar voren.
 3. Til het zijpaneel op.
 4. Vervang het glas en de pakking.
- Voor het terugplaatsen volgt u dezelfde procedure, maar dan in omgekeerde volgorde.

6.5 Terugplaatsen van de deur van de basis

Fig. 34

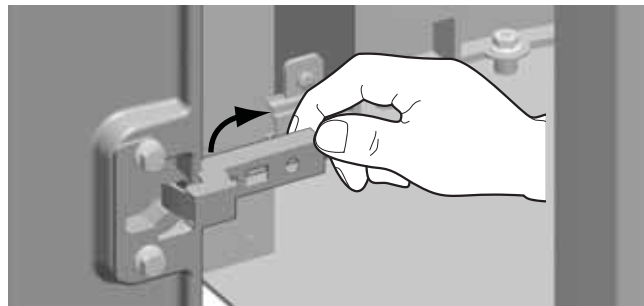
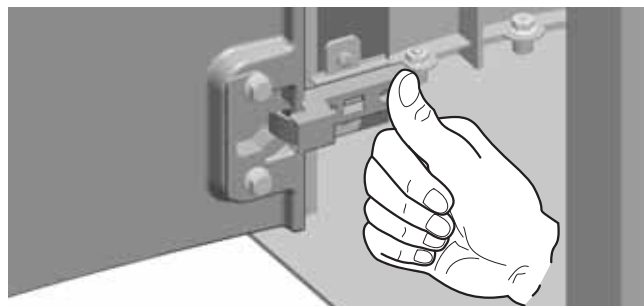


Fig. 35



Als verdere afstelling noodzakelijk is – zie figuur 29.

7.0 Onderhoud

Het onderhoud moet worden gedaan wanneer de kachel koud is!

7.1 Schoonmaken en verwijderen van roet

Tijdens gebruik kan zich roet afzetten op de binnenwanden van de haard. Roet werkt isolerend en kan daardoor de warmteafgifte van de haard verminderen. Als er zich te veel roet ophoopt, kunt u dit met een roetverwijderaar eenvoudig verwijderen.

Als u wilt voorkomen dat zich roet of een teerlaag ophoopt in de haard, moet u regelmatig flink stoken om de gevormde laag te verwijderen. Een jaarlijkse schoonmaakbeurt van de binnenkant is nodig voor een optimale warmteafgifte van uw product. Het is verstandig dit gelijktijdig te doen met het schoonmaken van de schoorsteen en de kachelpijp.

7.2 Kachelpijpen vegen tot aan de schoorsteen

Kachelpijpen moeten worden geveegd via een veegluik voor de kachelpijp of via de deuropening.

Eerst moet een van de schotten worden verwijderd om dit te kunnen doen.

7.3 Inspectie van de haard

Jøtul raadt u aan om na het reinigen/vegen zelf een grondige inspectie van de haard uit te voeren. Controleer alle zichtbare oppervlakken op scheuren. Controleer ook of alle verbindingstukken goed zijn afgesloten en of de pakkingen zich in de juiste positie bevinden. Een pakking die tekenen van slijtage of vervorming vertoont, moet worden vervangen.

Maak de groeven van de pakking grondig schoon, breng keramische lijm aan (verkrijgbaar bij uw lokale Jøtul-dealer) en druk de pakking stevig aan. De lijm heeft een korte droogtijd.

7.4 De buitenkant onderhouden

Bij gelakte producten kan er na een paar jaar verkleuring optreden. Voordat u een nieuwe laag verf aanbrengt, moet u het oppervlak reinigen en alle losse deeltjes wegvegen.

Belangrijk: Plaats nooit iets op de bovenplaat van de kachel. Dit kan schade tot gevolg hebben bij de emaille of verf.

8.0 Gebruiksproblemen - problemen oplossen

Slechte trek

Controleer de lengte van de schoorsteen en of hij voldoet aan de geldende wetten en voorschriften.

Zorg ervoor dat de minimale afmetingen van de schoorsteen overeenkomen met de beschrijving in «2.0 Technische gegevens».

Controleer of de afvoer van gassen niet wordt belemmerd, zoals bijvoorbeeld door takken of bomen, enzovoort.

Als u vermoedt dat de schoorsteen overmatig of onvoldoende trekt, neemt u contact op met een deskundige die maatregelen kan nemen.

Het vuur gaat na enige tijd uit

- Controleer of het brandhout droog genoeg is.
- Controleer of er onderdruk is in de woning, sluit mechanische ventilatiesystemen en open een raam dicht bij de haard.
- Controleer of de ventilatieopening is geopend.
- Controleer of de kachelpijp niet verstopt is met roet.

Als er zich een ongebruikelijke hoeveelheid roet ophoopt op het glas

Er zal zich altijd roet ophopen op het glas, maar de hoeveelheid is afhankelijk van:

- De vochtigheid van de brandstof.
- De luchtstroom ter plaatse.
- De instelling van de ventilatieopening.

De roetlaag wordt gewoonlijk grotendeels weggebrand wanneer de ventilatieopening helemaal open staat en de haard flink brandt.

9.0 Optionele accessoires

9.1 Spekstenen bovenkant - 50 mm, compleet

Art. nr. 50036901

9.2 Stalen zijpanelen, complete

Art. nr. 30023272

9.3 Spekstenen, complete

Art. nr. 50036877

9.4 Ventilator voor de Jøtul F 260

Art. nr. 50036914

9.5 Haardset

Art. nr. 50036912

10.0 Recycling

10.1 Recyclen van de verpakking

- Uw kachel wordt in de volgende verpakking geleverd:
- Een houten pallet dat in stukken gesneden en in de kachel verbrand kan worden.
- Een kartonnen verpakking die naar een plaatselijke faciliteit voor recyclen van materialen gebracht moet worden.
- Plastic zakken die naar een plaatselijke faciliteit voor recyclen van materialen gebracht moet worden.

10.2 Recyclen van de kachel

De kachel is gemaakt van:

- Metaal dat naar een plaatselijke faciliteit voor recyclen van materialen gebracht moet worden.
- Glas dat afgedankt moet worden als gevaarlijk afval. Het glas van de kachel mag niet via het normale gescheiden afval worden afgedankt.
- Platen in de verbrandingskamer van vermiculiet die via het normale afval mogen worden afgedankt.

11.0 Garantievoorwaarden

1. Onze garantie dekt:

Jøtul AS garandeert dat de externe gietijzeren onderdelen vrij zijn van materiaal- en fabricagefouten op het moment van aankoop. U kunt de garantie op de externe gietijzeren onderdelen verlengen tot 25 jaar na de leverdatum door het product te registreren op jotul.com en het bewijs van deze verlengde garantie binnen drie maanden na aankoop uit te printen. We adviseren u het garantiebewijs samen met de aankoopbon te bewaren. Jøtul AS garandeert tevens dat de staalplaten onderdelen vrij zijn van materiaal- en fabricagefouten op het moment van aankoop en tot 5 jaar na de leverdatum.

Deze garantie geldt op voorwaarde dat de kachel is geïnstalleerd door een erkende installateur, overeenkomstig de geldende wet- en regelgeving en Jøtul's installatie- en gebruiksinstructies. Gerepareerde producten en vervangende onderdelen vallen onder de garantie gedurende het resterende deel van de oorspronkelijke garantieperiode.

2. De garantie dekt niet:

- 2.1. Schade aan verbruiksonderdelen zoals brandplaten, vuurroosters, keerschotten, ringen en vergelijkbare onderdelen, aangezien deze onderhevig zijn aan normale slijtage.
- 2.2. Schade veroorzaakt door onjuist onderhoud, oververhitting, gebruik van ongeschikte brandstof (waaronder begrepen maar niet beperkt tot drijfhout, geïmpregneerd hout, houtafval, spaanplaat) of te vochtig hout.
- 2.3. Installatie van optionele extra's teneinde de trek, luchttoevoer en andere externe factoren buiten de invloedssfeer van Jøtul te verbeteren.
- 2.4. Aanpassingen of wijzigingen aan de haard zonder toestemming van Jøtul of het gebruik van niet-originele onderdelen.
- 2.5. Schade veroorzaakt tijdens opslag bij een distributeur, transport vanaf een distributeur of tijdens de installatie
- 2.6. Producten verkocht door niet-erkende verkopers in regio's waar Jøtul met een selectief distributiesysteem werkt.
- 2.7. Bijbehorende kosten (waaronder begrepen maar niet beperkt tot transport-, arbeids- en reiskosten) of indirecte schade.

Voor pelletkachels, glas, steen, beton, email en lak (waaronder begrepen maar niet beperkt tot breuken, scheuren, barsten, blaasjes, verkleuring of craquelé) geldt de nationale wetgeving die van toepassing is op de verkoop van consumentengoederen. Deze garantie is geldig voor aankopen gedaan binnen de Europese Economische Ruimte. Alle garantieaanspraken dienen binnen een redelijke termijn te worden gericht aan uw lokale erkende Jøtul-dealer, uiterlijk 14 dagen nadat de fout of het gebrek is geconstateerd. Zie onze website www.jotul.com voor een overzicht van importeurs en dealers.

Wanneer Jotul niet is staat is om zijn verplichtingen na te komen zoals vermeldt in bovenstaande garantie voorwaarden, Jotul zal dan een alternatief product kosteloos aanbieden met gelijke verwarmingscapaciteit.

Jøtul behoudt zich het recht voor af te zien van reparatie of vervanging van onderdelen in het geval dat de garantie niet online is geregistreerd. Deze garantie doet geen afbreuk aan enig recht krachtens de geldende nationale wetgeving van toepassing op de verkoop van consumentengoederen. Het nationale reclamerecht geldt vanaf de aankoopdatum en uitsluitend onder overlegging van een aankoopbon/serienummer.

Sluttkontroll av ildsteder

Quality control of stoves and fireplaces

Checked

Utført	Kontrollpunkt	Controlled item
✓	Alle deler er med i produktet (ifølge struktur).	All parts are included.
✓	Alle festemidler er av korrekt type, og er korrekt anvendt.	Correct fastener items have been used and correctly applied.
✓	Overflater er i samsvar med Jøtuls kvalitetsstandarder.	Surfaces comply with Jøtul workmanship standards.
✓	Lukkemekanismer fungerer som de skal, og uten behov for unødig stor kraft.	Door locking mechanisms function correctly; excessive force is not needed.
✓	Produktet/serien møter kravet for lekkasjetest.	The product/lot complies with the leakage test requirement.
✓	Lakkerte/emaljerte overflater møter kravene i Jøtuls kvalitetsstandarder.	Paint/enamel surface finish complies with Jøtul workmanship standards.
✓	Produktet er fritt for utvendig kitt- eller limklin.	Surfaces are not contaminated by external stove cement or glue.
✓	Produktet har ingen sprekker i glass, støpejern eller andre deler.	There are no cracks in glass, cast iron or other parts.
✓	Pakninger er riktig lagt, og skjemmer ikke produktet ved stygge ender eller ved at pakningen er unødig synlig.	Gaskets are correctly applied and do not degrade product appearance (i.e. loose ends or excessive visible exposure).
✓	Dørpakninger er godt limt.	Door gaskets are firmly glued/fixed to the door.
✓	Dørpakninger har tilfredsstillende pakningstrykk.	Door gaskets provide satisfactory sealing.
✓	Sjekk at det ikke "lyser gjennom" i dørpakning eller andre sammenføyninger.	Check for "light through" at door seals and other relevant locations.
✓	Trekkhender osv fungerer normalt.	The function of air valve handle etc is normal.

Jøtul bekrefter herved at dette produktet er kontrollert og funnet å være i samsvar med våre kvalitetsnormer.	Jøtul hereby confirm that this product has been QC inspected and found to comply with our quality standards.
Lot. No. / Serie nr. - Checked by / kontrollert av	

Jøtul arbeider kontinuerlig for om mulig å forbedre sine produkter, og vi forbeholder oss rett til å endre spesifikasjoner, farer og utstyr uten nærmere kunngjøring.

Jøtul bemüht sich ständig um die Verbesserung seiner Produkte, deshalb können Spezifikationen, Farben und Zubehör von den Abbildungen und den Beschreibungen in der Broschüre abweichen.

Jøtul pursues a policy of constant product development. Products supplied may therefore differ in specification, colour and type of accessories from those illustrated and described in the manual.

Jøtul vise sans cesse à améliorer ses produits. C'est pourquoi, il se réserve le droit de modifier les spécifications, couleurs et équipements sans avis préalable.

Kvalitet

Jøtul AS arbeider etter et kvalitetssikringssystem basert på NS-EN ISO 9001 for utvikling, produksjon og salg av ildsteder. Vår kvalitetspolitikk skal gi kundene den trygghet og kvalitetsopplevelse som Jøtul har stått for siden bedriftens historie startet i 1853.

Qualität

Jøtul AS hat ein Qualitätssicherungssystem, das sich bei Entwicklung, Produktion und Verkauf von Öfen und Kaminen nach NS-EN ISO 9001 richtet. Diese Qualitätspolitik vermittelt unseren Kunden ein Gefühl von Sicherheit und Qualität, für das Jøtul mit seiner langjährigen Erfahrung seit der Firmengründung im Jahre 1853 steht.

Quality

Jøtul AS has a quality system that conforms to NS-EN ISO 9001 for product development, manufacturing, and distribution of stoves and fireplaces. This policy gives our customers quality and safety piece of mind as a result of Jøtul's vast experience dating back to when the company first started in 1853.

Qualité

Le système de contrôle de la qualité de Jøtul AS est conforme à la norme NS-EN ISO 9001 relative à la conception, à la fabrication et à la distribution de poêles, foyers et inserts. Cette politique nous permet d'offrir à nos clients une qualité et une sécurité reposant sur la vaste expérience accumulée par Jøtul depuis sa création en 1853.

Jøtul AS,
P.o. box 1411
N-1602 Fredrikstad,
Norway
www.jotul.com

