



J45TK

450A JUMP-STARTER WITH COMPRESSOR INSTRUCTION MANUAL

450A PUENTE AUXILIAR DE ARRANQUE CON COMPRESOR MANUAL DE INSTRUCCIÓN



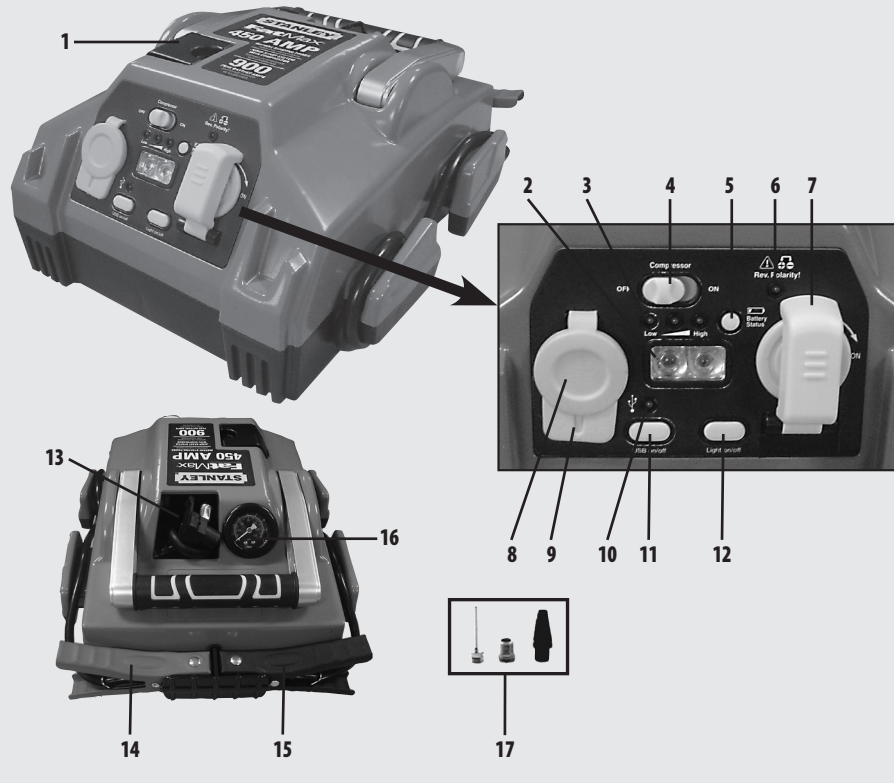
English page 3
Español pagina 9

**SAVE THIS INSTRUCTION MANUAL FOR FUTURE REFERENCE.
CONSERVE ESTE MANUAL PARA FUTURAS CONSULTAS.**

© 2012 Baccus Global LLC
Boca Raton, FL 33432
Customer Service: (877) 571-2391



FEATURES CARACTERÍSTICAS



FEATURES

1. Built-in 120 Volt AC Charger (under protective cover)
2. 2-LED Area Light
3. Battery Status LED Indicators
4. Compressor Power Switch
5. Battery Power Level Button
6. Reverse Polarity Indicator
7. Jump- Starter Power Switch (under protective cover)
8. 12 Volt DC Accessory Outlet (under protective cover)
9. USB Charging Port (under protective cover)
10. USB Power Indicator
11. USB Power button
12. Area Light Power Button
13. Air Hose and Nozzles in Storage Compartment
14. Positive (+) Red Clamp
15. Negative (-) Black Clamp
16. Air Pressure Gauge
17. Nozzles

CARACTERÍSTICAS

1. Cargador de CA de 120 voltios incorporado (bajo cubierta protectora)
2. Luz del área de dos LEDs
3. Indicadores de estado de la batería del LED
4. Interruptor del compresor
5. Botón del nivel de energía de batería
6. Indicador de polaridad inversa
7. Interruptor de encendido del puente auxiliar de arranque (bajo cubierta protectora)
8. Tomacorriente para accesorios de 12 V de CC (bajo cubierta protectora)
9. Puerto de carga del USB (bajo cubierta protectora)
10. Indicador de energía del USB
11. Botón de la energía del USB
12. Botón de encendido de la luz zonal
13. Manguera de aire y boquillas en el compartimiento de almacenamiento
14. Pinza roja del positivo (+)
15. Pinza negra del negativo (-)
16. Galga de presión
17. Picos

This device complies with part 15 of the FCC rules. Operation is subject to the following two conditions: (1) this device may not cause harmful interference, and (2) this device must accept any interference received, including interference that may cause undesired operation.

This equipment has been tested and found to comply with the limits for a Class B digital device, pursuant to part 15 of the FCC Rules. These limits are designed to provide reasonable protection against harmful interference in a residential installation. This equipment generates, uses and can radiate radio frequency energy and, if not installed and used in accordance with the instructions, may cause harmful interference to radio communications. However, there is no guarantee that interference will not occur in a particular installation. If equipment does cause harmful interference to radio or television reception, which can be determined by turning the equipment off and on, the user is encouraged to try to correct the interference by one or more of the following measures:

- Reorient or relocate the receiving antenna.
- Increase the separation between equipment and receiver.
- Connect the equipment into an outlet on a circuit different from that to which the receiver is connected.
- Consult the dealer or an experienced radio/TV technician for help.

Changes or modifications not approved by the party responsible for compliance could void user's authority to operate the equipment.

GENERAL SAFETY WARNINGS AND INSTRUCTIONS

READ ALL INSTRUCTIONS

WARNING: Read all instructions before operating jumpstarter or compressor. Failure to follow all instructions listed below may result in electric shock, fire and/or serious injury.

SAFETY GUIDELINES / DEFINITIONS

DANGER: Indicates an imminently hazardous situation which, if not avoided, will result in death or serious injury.

WARNING: Indicates a potentially hazardous situation which, if not avoided, could result in death or serious injury.

CAUTION: Indicates a potentially hazardous situation which, if not avoided, may result in minor or moderate injury.

CAUTION: Used without the safety alert symbol indicates potentially hazardous situation which, if not avoided, may result in property damage.

RISK OF UNSAFE OPERATION. When using tools or equipment, basic safety precautions should always be followed to reduce the risk of personal injury. Improper operation, maintenance or modification of tools or equipment could result in serious injury and property damage. There are certain applications for which tools and equipment are designed. Manufacturer strongly recommends that this product NOT be modified and/or used for any application other than for which it was designed. Read and understand all warnings and operating instructions before using any tool or equipment.

IMPORTANT SAFETY INSTRUCTIONS

• **This unit was designed for household use only.**

GENERAL INSTRUCTIONS PERTAINING TO A RISK OF FIRE, ELECTRIC SHOCK, BURST HAZARD, OR INJURY TO PERSONS OR PROPERTY

- **Avoid dangerous environments.** Don't use appliances in damp or wet locations. Don't use appliances in the rain.
- **Keep children away.** All visitors should be kept at a distance from work area.
- **Dress properly.** Do not wear loose clothing or jewelry. They can be caught in moving parts. Rubber gloves and substantial, non-skid footwear are recommended when working outdoors. Wear protective hair covering to contain long hair.
- **Use safety glasses and other safety equipment.** Use safety goggles or safety glasses with side shields, complying with applicable safety standards. Safety glasses or the like are available at extra cost at your local dealer.
- **Store idle appliance indoors.** When not in use, appliances should be stored indoors in dry, and high or locked-up place – out of reach of children.
- **Don't abuse cord.** Never carry appliance by cord or yank it to disconnect from receptacle. Keep cord from heat, oil, and sharp edges.
- **Disconnect appliances.** Disconnect the appliance from the power supply when not in use, before servicing, and when changing accessories.
- **Ground Fault Circuit Interrupter (GFCI) protection** should be provided on the circuits or outlets to be used. Receptacles are available having built in GFCI protection and may be used for this measure of safety.
- **Use of accessories and attachments.** The use of any accessory or attachment not recommended for use with this appliance could be hazardous. Refer to the accessory section of this manual for further details.
- **Stay alert.** Watch what you are doing. Use common sense. Do not operate appliance when you are tired.

- **Check for damaged parts.** A part that is damaged should be properly repaired or replaced by manufacturer before further use unless otherwise indicated elsewhere in this instruction manual. Have defective switches replaced by manufacturer. Do not use this appliance if the on/off button does not turn it on and off.
- **Do not operate this appliance near flammable liquids or in gaseous or explosive atmospheres.** Motors in these tools normally spark, and the sparks might ignite fumes.
- **Never submerge this unit in water;** do not expose it to rain, snow or use when wet.
- **To reduce risk of electric shock,** disconnect the unit from any power source before attempting maintenance or cleaning. Turning off controls without disconnecting will not reduce this risk.
- **This equipment employs parts (switches, relays, etc.) that produce arcs or sparks.** Therefore, if used in a garage or enclosed area, the unit **MUST** be placed not less than 18 inches above the floor.
- **Do not use this unit to operate appliances that need more than 5 amps to operate from the 12 volt DC accessory outlet.**
- **Do not insert foreign objects into either the USB outlet or the 12 volt DC accessory outlet.**

SPECIFIC SAFETY INSTRUCTIONS FOR CHARGING THIS UNIT

- **IMPORTANT:** This unit is delivered in a partially charged state. Fully charge unit with a household extension cord (not supplied) for a full 40 hours before using for the first time. You cannot overcharge the unit using the AC charging method.
- To recharge this unit, use only the built-in AC Charger.
- All ON/OFF switches should be in the OFF position when the unit is charging or not in use. Make sure all switches are in the OFF position before connection to a power source or load.

⚠ WARNING: SHOCK HAZARD

- **Do not operate charger with damaged cord or plug** – replace the cord or plug immediately.
- **Do not operate charger if it has received a sharp blow, been dropped, or otherwise damaged in any way;** contact the manufacturer.
- **Do not disassemble charger;** contact the manufacturer when service or repair is required. Incorrect reassembly may result in a risk of electric shock or fire.
- **Outdoor use extension cords.** When appliance is used outdoors, use only extension cords intended for use outdoors and so marked.
- **Extension cords.** Make sure your extension cord is in good condition. When using an extension cord, be sure to use one heavy enough to carry the current your product will draw. An undersized cord will cause a drop in line voltage resulting in loss of power and overheating. The following table shows the correct size to use depending on cord length and nameplate ampere rating. If in doubt, use the next heavier gage. The smaller the gage number, the heavier the cord.

		MINIMUM GAGE FOR CORD SETS			
		Total Length of Cord in Feet			
Volts		0-25	26-50	51-100	101-150
		(0-7.6m)	(7.6-15.2m)	(15.2-30.4m)	(30.4-45.7m)
240V		0-50	51-100	101-200	201-300
		(0-15.2m)	(15.2-30.4m)	(30.4-60.9m)	(60.9-91.4m)
Ampere Rating		Extension Cord Length			
More Than	Not more Than	0'-25'	26'-50'	51'-100'	101'-150'
		American Wire Gage (AWG)			
0 -	6	18	16	16	14
6 -	10	18	16	14	12
10 -	12	16	16	14	12
12 -	16	14	12	Not Recommended	

- **When an extension cord is used,** make sure that:
 - a) the pins of extension cord are the same number, size and shape as those in the charger,
 - b) the extension cord is properly wired and in good electrical condition,
 - c) the wire size is large enough for the AC rating of the charger.

⚠ **CAUTION: TO REDUCE THE RISK OF INJURY OR PROPERTY DAMAGE:** Pull cord by plug rather than cord when disconnecting the extension cord from the 120V AC Charger.

SPECIFIC SAFETY INSTRUCTIONS FOR COMPRESSORS

⚠ **CAUTION: TO REDUCE THE RISK OF INJURY OR PROPERTY DAMAGE:** Never leave the compressor unattended while in use.

⚠ WARNING: BURST HAZARD:

- Carefully follow instructions on articles to be inflated.
- Never exceed recommended pressures. Bursting articles can cause serious injury.
- Always check pressure with the pressure gauge.

⚠ CAUTION: TO REDUCE THE RISK OF PROPERTY DAMAGE:

Do not operate compressor continuously for longer than approximately 10 minutes, depending on ambient temperatures, as it may overheat. In such event, compressor may automatically shut down. Turn off the Compressor Power Switch immediately and restart after a cooling down period of approximately 30 minutes.

SPECIFIC SAFETY INSTRUCTIONS FOR JUMP-STARTERS

⚠ WARNING: BURST HAZARD

Do not use the unit for charging dry-cell batteries that are commonly used with home appliances. These batteries may burst and cause injury to persons and damage property. Use the unit for boosting a lead-acid battery only. It is not intended to supply power to a low-voltage electrical system other than in a starter-motor application.

- Use of an attachment not supplied, recommended or sold by manufacturer specifically for use with this unit may result in a risk of electrical shock and injury to persons.

⚠ WARNING: RISK OF EXPLOSIVE GASES

- Working in the vicinity of a lead acid battery is dangerous. Batteries generate explosive gases during normal battery operation. For this reason, it is of the utmost importance that each time before using the jump-starter you read this manual and follow instructions exactly.
- To reduce the risk of battery explosion, follow these instructions and those published by the battery manufacturer and manufacturer of any equipment you intend to use in the vicinity of the battery. Review cautionary markings on these products and on the engine.

⚠ CAUTION: TO REDUCE THE RISK OF INJURY OR PROPERTY DAMAGE:

• NEVER ATTEMPT TO JUMP-START OR CHARGE A FROZEN BATTERY.

- Vehicles that have on-board computerized systems may be damaged if vehicle battery is jump-started. Before jump-starting, read the vehicle's owner's manual to confirm that external-starting assistance is suitable.
- When working with lead acid batteries, always make sure immediate assistance is available in case of accident or emergency.
- Always have protective eyewear when using this product: contact with battery acid may cause blindness and/or severe burns. Be aware of first aid procedures in case of accidental contact with battery acid.
- Have plenty of fresh water and soap nearby in case battery acid contacts skin.
- Never smoke or allow a spark or flame in vicinity of vehicle battery, engine or power station
- Remove personal metal items such as rings, bracelets, necklaces and watches when working with a lead acid battery. A lead acid battery can produce a short circuit current high enough to weld a ring, or similar metal object, to skin, causing a severe burn.
- Do not wear vinyl clothing when jump-starting a vehicle when jump-starting a vehicle, friction can cause dangerous static-electrical sparks.
- Jump-start procedures should only be performed in a safe, dry, well-ventilated area.
- Always store battery clamps when not in use. Never touch battery clamps together. This can cause dangerous sparks, power arcing and/or explosion.
- When using this unit close to the vehicle's battery and engine, stand the unit on a flat, stable surface, and be sure to keep all clamps, cords, clothing and body parts away from moving vehicle parts.
- Never allow red and black clamps to touch each other or another common metal conductor — this could cause damage to the unit and/or create a sparking/explosion hazard.
 - a) For negative-grounded systems, connect the POSITIVE (RED) clamp to the POSITIVE ungrounded battery post and the NEGATIVE (BLACK) clamp to the vehicle chassis or engine block away from the battery. Do not connect the clamp to the carburetor, fuel lines or sheet-metal body parts. Connect to a heavy gauge metal part of the frame or engine block.
 - b) For positive-grounded systems, connect the NEGATIVE (BLACK) clamp to the NEGATIVE ungrounded battery post and the POSITIVE (RED) clamp to the vehicle chassis or engine block away from the battery. Do not connect the clamp to the carburetor, fuel lines or sheet-metal body parts. Connect to a heavy gauge metal part of the frame or engine block.
- If the connections to the battery's POSITIVE and NEGATIVE terminals are incorrect, the Reverse Polarity Indicator will light (red) and the unit will sound a beep. Disconnect clamps and reconnect to battery with correct polarity.
- Always disconnect the negative (Black) jumper cable first, followed by the positive (Red) jumper cable, except for positive grounded systems.
- Do not expose battery to fire or intense heat since it may explode. Before disposing of the battery, protect exposed terminals with heavy-duty electrical tape to prevent shorting (shorting can result in injury or fire).
- Place this unit as far away from the battery as cables permit.
- Never allow battery acid to come in contact with this unit.
- Do not operate this unit in a closed area or restrict ventilation in any way.

- This system is designed to be used only on vehicles with a 12 volt DC battery system. Do not connect to a 6 volt or 24 volt battery system.
- This system is not designed to be used as a replacement for a vehicular battery. Do not attempt to operate a vehicle that does not have a battery installed.
- Excessive engine cranking can damage a vehicle's starter motor. If the engine fails to start after the recommended number of attempts, discontinue jump-start procedures and look for other problems that may need to be corrected.
- Do not use this jump-starter on a watercraft. It is not qualified for marine applications.
- Although this unit contains a non-spillable battery, it is recommended that unit be kept upright during storage, use and recharging. To avoid possible damage that may shorten the unit's working life, protect it from direct sunlight, direct heat and/or moisture.

■ FIRST AID

SKIN: If battery acid contacts skin or clothing, wash immediately with soap and water for at least 10 minutes. If redness, pain, or irritation occurs, seek immediate medical attention.

EYES: If battery acid comes in contact with eyes, flush eyes immediately, for a minimum of 15 minutes and seek immediate medical attention.

SAVE THESE INSTRUCTIONS

INTRODUCTION

Congratulations on purchasing your new 450A Jump-Starter with Compressor. Read this Instruction Manual and follow the instructions carefully before using this unit.

CHARGING/RECHARGING

Lead-acid batteries require routine maintenance to ensure a full charge and long battery life. All batteries lose energy from self-discharge over time and more rapidly at higher temperatures. Therefore, batteries need periodic charging to replace energy lost through self-discharge. When the unit is not in frequent use, manufacturer recommends the battery be recharged at least every 30 days.

Notes: This unit is delivered in a partially charged state – you must fully charge it upon purchase and before using it for the first time. Initial AC charge should be for 40 hours.

Recharging battery after each use will prolong battery life; frequent heavy discharges between recharges and/or overcharging will reduce battery life. The battery can be recharged using the Built-In 120 Volt AC Charger.

Make sure all other unit functions are turned off during recharging, as this can slow the recharging process.

Charging/Recharging Using the 120 Volt AC Charger and a Standard Household Extension Cord (not included)

1. Lift the AC adapter cover located on the top of the unit and connect an extension cord to the unit. Plug the other end of the cord into a standard 120-volt AC wall outlet.
2. Charge until the green Battery Status LED Indicator lights solid or flashes.
3. Disconnect the extension cord and depress the battery status button. If all 3 status lights illuminate, the unit is fully charged.

JUMP-STARTER

This Jump-Starter is equipped with an On/Off Power Switch which is located at the right hand side of the Front Panel under a protective cover. Once the connections are properly made, turn the switch on to jump-start the vehicle.

1. Turn off vehicle ignition and all accessories (radio, A/C, lights, connected cell phone chargers, etc.). Place vehicle in "park" and set the emergency brake.
2. Make sure the Jump-Starter Power Switch is turned off.
3. Remove jumper clamps from clamp tabs. Connect the red clamp first, then the black clamp.
4. **Procedure for jump-starting a NEGATIVE GROUNDED SYSTEM (negative battery terminal is connected to chassis) (MOST COMMON)**
 - 4a. Connect positive (+) red clamp to vehicle battery's positive terminal.
 - 4b. Connect negative (-) black clamp to chassis or a solid, non-moving, metal vehicle component or body part. Never clamp directly to negative battery terminal or moving part. Refer to the automobile owner's manual.
5. **Procedure for jump-starting POSITIVE GROUND SYSTEMS**

Note: In the rare event that the vehicle to be started has a Positive Grounded System (positive battery terminal is connected to chassis), replace steps 4a and 4b above with steps 5a and 5b, then proceed to step 6.

 - 5a. Connect negative (-) black clamp to vehicle battery's negative terminal.
 - 5b. Connect positive (+) red clamp to vehicle chassis or a solid, non-moving, metal vehicle component or body part. Never clamp directly to Positive battery terminal or moving part. Refer to the automobile owner's manual.
6. When clamps are connected properly, lift up the protective cover and turn the Jump-Starter Power Switch to ON.
7. Turn ON the ignition and crank the engine in 5-6 second bursts until engine starts.
8. Turn the Jump-Starter Power Switch back to the OFF position.
9. Disconnect the negative (-) engine or chassis clamp first, then disconnect the positive (+) battery clamp.

■ WARNING: TO REDUCE THE RISK OF INJURY OR PROPERTY DAMAGE:

• FOLLOW ALL SAFETY INSTRUCTIONS FOUND IN THE "SPECIFIC SAFETY INSTRUCTIONS FOR JUMP STARTERS" SECTION OF THIS INSTRUCTION MANUAL.

- This power system is to be used ONLY on vehicles with 12-volt DC battery systems.
- Never touch red and black clamps together — this can cause dangerous sparks, power arcing, and/or explosion.
- After use, turn the Jump-Starter Power Switch off.
- Replace worn or defective parts immediately.

■ CAUTION: TO REDUCE THE RISK OF PROPERTY DAMAGE:

- Vehicles that have on-board computerized systems may be damaged if vehicle battery is jump-started. Before jump-starting this type of vehicle, read the vehicle manual to confirm that external-starting assistance is advised.
- Excessive engine cranking can damage the vehicle's starter motor. If the engine fails to start after the recommended number of attempts, discontinue jump-start procedure and look for other problems that need to be corrected.
- If the connections to the battery's positive and negative terminals are incorrect, the Reverse Polarity Indicator will light and the unit will sound a continuous alarm until the clamps are disconnected. Disconnect clamps and reconnect to battery with correct polarity.
- If vehicle fails to start, turn off the ignition, turn off the Jump-Starter Power Switch, disconnect the jump-start system's leads and contact a qualified technician to investigate why the engine did not start.
- Recharge this unit fully after each use.

12 VOLT DC PORTABLE POWER SUPPLY

The 12 volt DC power supply is located under a protective cover at the left hand side of front panel. Refer to the illustration in the features section to locate. This portable power source is also for use with all 12 volt DC accessories equipped with a male accessory outlet plug and are rated up to 5 amps.

1. Lift up the cover of the unit's 12 volt DC outlet.
2. Insert the 12 volt DC plug from the appliance into the 12 volt accessory outlet on the unit. DO NOT EXCEED A 5 AMP LOAD.
3. Switch on the appliance and operate as usual.
4. Periodically press the battery power level pushbutton to check battery status. (When all three battery status LEDs light, it indicates a full battery. Only one red battery status indicator light indicates that the unit needs to be recharged.)

USB POWER PORT

The USB power port is under the same protective cover as the 12 volt DC accessory outlet at the left hand side of front panel. Refer to the illustration of the features section to locate.

1. Push the USB Power Button to turn the USB Port on and the USB power indicator will light.
2. Lift up the cover of the USB Charging Port.
3. Plug the USB-powered device into the USB Charging Port and operate normally.
4. Periodically press the battery power level pushbutton to check battery status. (When all three battery status LEDs light, it indicates a full battery. Only one red battery status indicator light indicates that the unit needs to be recharged.)

Notes: This unit's USB Power Port does not support data communication. It only provides 5 volts/500mA DC power to an external USB-powered device.

Make sure the USB Power Button is in the off position when the unit is being recharged or stored.

Some household USB-powered electronics will not operate with this unit.

2-LED AREA LIGHT

The built-in 2-LED Area Light is located at the middle of the front panel and is controlled by the Area Light Power Button. Refer to the illustration in the features section to locate. Press the Area Light Power Button once to turn the lights on. Press the Area Light Power Button again to turn the lights off. Make sure the 2-LED Area Light is turned off when the unit is being recharged or stored.

Periodically check the unit's battery status by pressing the Battery Power Level Button. (When all three Battery Status LED Indicators light, it indicates a full battery. If only one Red Battery Status Indicator lights, it indicates that the unit needs to be recharged.)

PORTABLE COMPRESSOR

The built-in 12 Volt DC Compressor is the ultimate compressor for all vehicle tires, trailer tires and recreational inflatables. The compressor hose with tire fitting is stored in the storage compartment. The Compressor Power Switch is located in the top of the front panel and the air pressure gauge is located at the back of the unit. Refer to the illustration in the features section to locate. The compressor can operate long enough to fill up to 3 average sized tires before the battery must be recharged.

The compressor may be used by removing the air hose from the storage hatch and if required, fitting an appropriate nozzle to the air hose. Return hose to the storage compartment after use.

Inflating Tires or Products With Valve Stems

1. Lift the thumb latch on the nozzle (chuck) and fit it onto the valve stem.
2. Ensure nozzle connector is pushed on to valve stem as far as possible before closing thumb latch.
3. Make sure latch is secure.

4. Turn on the Compressor Power Switch.
5. Check pressure with the pressure gauge.
6. When desired pressure is reached, open thumb latch and remove the nozzle connector from the valve stem.
7. Turn off Compressor Power Switch.
8. Allow unit to cool before storing away.
9. Store compressor hose and tire fitting in storage compartment.

Inflating Other Inflatables Without Valve Stems

Inflation of other items requires use of one of the adapters (nozzles).

1. Select the appropriate adapter nozzle.
 2. Lift the thumb latch on the nozzle, insert the adapter (i.e. needle) into the nozzle connector and close thumb latch.
 3. Insert adapter (i.e., needle) into item to be inflated.
 4. Turn on the Compressor Power Switch — inflate to desired pressure or fullness.
- IMPORTANT NOTE:** Small items such as volleyballs, footballs, etc. inflate very rapidly. Do not over-inflate.
5. Remove adapter.
 6. Switch the Compressor Power Switch off.
 7. Allow unit to cool before storing away.
 8. Store compressor hose and tire fitting in storage compartment.

WARNING: TO REDUCE THE RISK OF INJURY OR PROPERTY DAMAGE: FOLLOW ALL SAFETY INSTRUCTIONS FOUND IN THE "SPECIFIC SAFETY INSTRUCTIONS FOR INFLATORS" SECTION OF THIS INSTRUCTION MANUAL.

CARE AND MAINTENANCE

All batteries lose energy from self-discharge over time and more rapidly at higher temperatures. When the unit is not in use, we recommend that the battery is charged at least every 30 days.

Never submerge the unit in water. If the unit gets dirty, gently clean the outer surfaces of the unit with a soft cloth moistened with a mild solution of water and detergent.

There are no user-replaceable parts. Periodically inspect the condition of adapters, connectors and wires. Contact manufacturer to replace any components that have become worn or broken.

Battery replacement/disposal

BATTERY REPLACEMENT

The battery should last the service life of the unit. Contact manufacturer for any information you may need.

SAFE BATTERY DISPOSAL

Contains a maintenance-free, sealed, non-spillable, lead acid battery, which must be disposed of properly. Recycling is required, contact your local authority for information. Failure to comply with local, state and federal regulations can result in fines, or imprisonment.

Contact your local waste management authority to dispose of this product.

WARNINGS:

- Do not dispose of the battery in fire as this may result in an explosion.
- Before disposing of the battery, protect exposed terminals with heavy-duty electrical tape to prevent shorting (shorting can result in injury or fire).
- Do not expose battery to fire or intense heat as it may explode.

TROUBLESHOOTING

Unit will not charge

- Make sure all of the unit's functions are turned off.
- Make sure a suitable gage extension cord is properly connected to both the unit and a functioning AC outlet.

Unit Fails to Jump-Start

- Make sure unit's power switch is in the on position.
- Check that jump-starter has a full charge. Recharge unit if necessary.
- Make sure a proper polarity cable connection has been established.

USB Power Port will not power appliance

- Make sure the USB Charging Port Power Button is in the on position.
- Check that Jump-Starter has a full charge. Recharge unit if necessary.

LED Area Light does not come on

- Make sure the LED Area Light ON/OFF button is in the on position
- Check that Jump-Starter has a full charge. Recharge unit if necessary.

Portable Compressor will not inflate

- Make sure the Compressor Power Switch is in the on position.

- Check that Jump-Starter has a full charge. Recharge unit if necessary.
- Make sure connector is pushed to valve stem and thumb latch is closed when attempting to inflate tires; or nozzle (adapter) is securely inserted into connector (chuck) on all other inflatables.

ACCESSORIES

Recommended accessories for use with your tool are available from your local dealer. If you need assistance regarding accessories, please contact manufacturer at (877) 571-2391.

WARNING: The use of any accessory not recommended for use with this appliance could be hazardous.

SERVICE INFORMATION

Whether you need technical advice, repair, or genuine factory replacement parts, contact the manufacturer at (877) 571-2391.

ONE-YEAR LIMITED WARRANTY

The manufacturer warrants this product against defects in materials and workmanship for a period of ONE (1) YEAR from the date of retail purchase by the original end-user purchaser ("Warranty Period").

If there is a defect and a valid claim is received within the Warranty Period, the defective product can be replaced or repaired in the following ways: (1) Return the product to the manufacturer for repair or replacement at manufacturer's option. Proof of purchase may be required by manufacturer. (2) Return the product to the retailer where product was purchased for an exchange (provided that the store is a participating retailer). Returns to retailer should be made within the time period of the retailer's return policy for exchanges only (usually 30 to 90 days after the sale). Proof of purchase may be required. Please check with the retailer for their specific return policy regarding returns that are beyond the time set for exchanges.

This warranty does not apply to accessories, bulbs, fuses and batteries; defects resulting from normal wear and tear, accidents; damages sustained during shipping; alterations; unauthorized use or repair; neglect, misuse, abuse; and failure to follow instructions for care and maintenance for the product.

This warranty gives you, the original retail purchaser, specific legal rights and you may have other rights which vary from state to state or province to province. This product is not intended for commercial use.

Please complete the Product Registration Card and return within 30 days from purchase of the product to: Baccus Global LLC, 595 S. Federal Highway, Suite 210, Boca Raton, FL 33432. **Baccus Global LLC, toll-free number: 1-877-571-2391.**

SPECIFICATIONS

Boost Ampere:	12Vdc, 450A instantaneous
Battery Type:	Maintenance-free, sealed lead acid, 12Vdc, 17Ah
AC input:	120Vac, 60Hz, 9W
Area Light:	2 white LEDs
DC Accessory Outlet:	12Vdc, 5A
USB Port:	5 Vdc, 500mA
Compressor Maximum Pressure:	120 PSI

Imported by Baccus Global LLC, 595 S. Federal Highway, Suite 210, Boca Raton, FL 33432 • (877) 571-2391

RD053012



Este dispositivo cumple con la parte 15 de las normas de la Comisión Federal de Comunicaciones de Estados Unidos (FCC). La operación está sujeta a las dos condiciones siguientes: (1) este dispositivo no puede causar interferencia perjudicial y (2) este mecanismo debe aceptar cualquier interferencia recibida, incluida la in-terferencia que puede provocar una operación no deseada.

Este equipo ha sido probado y se encontró que cumple con los límites para dispositivo digital Clase B, según la parte 15 de las normas de la FCC. Estos límites están diseñados para brindar protección razonable contra interferencia perjudicial en una instalación residencial. Este equipo genera, usa y puede irradiar energía en frecuencia de radio y, si no se instala y se usa de acuerdo con las instrucciones, puede provocar interferencia perjudicial en las comunicaciones de radio. Sin embargo, no hay garantía de que la interferencia no ocurra en una instalación en particular. Si el equipo provoca interferencia perjudicial en la recepción de radio o televisión, lo que se puede determinar al apagar y encender el equipo, el usuario debe tratar de corregir la interferencia mediante una o más de las siguientes medidas:

- Cambiar la orientación o la ubicación de la antena de recepción.
- Aumentar la separación entre el equipo y el receptor.
- Conectar el equipo a un tomacorriente sobre un circuito diferente de aquel al que está conectado el receptor.
- Consultar al vendedor o pedir la ayuda de un técnico en radio y televisión con experiencia.

Los cambios o las modificaciones no aprobados por el partido responsable de conformidad podían anular la autoridad del usuario para funcionar el equipo.

⚠️ ADVERTENCIAS E INSTRUCCIONES DE SEGURIDAD GENERALES

LEA LAS INSTRUCCIONES

⚠️ **ADVERTENCIA:** Lea todas las instrucciones antes de operar el puente auxiliar de arranque o compresor. El incumplimiento de todas las instrucciones enumeradas a continuación puede provocar una descarga eléctrica, un incendio o lesiones graves.

NORMAS DE SEGURIDAD / DEFINICIONES

⚠️ **PELIGRO:** Indica una situación de peligro inminente que, si no se evita, provocará la muerte o lesiones graves.

⚠️ **ADVERTENCIA:** Indica una situación de peligro inminente que, si no se evita, provocará la muerte o lesiones graves.

⚠️ **PRECAUCIÓN:** Indica una situación de peligro potencial que, si no se evita, puede provocar lesiones leves o moderadas.

PRECAUCIÓN: Utilizado sin el símbolo de alerta de seguridad indica una situación de peligro potencial que, si no se evita, puede provocar daños en la propiedad.

RIESGO DE OPERACIÓN INSEGURA. Cuando se utilizan herramientas o equipos, siempre se deben respetar las precauciones de seguridad para reducir el riesgo de lesiones personales. La operación, el mantenimiento o la modificación incorrectos de herramientas o equipos pueden provocar lesiones graves y daños a la propiedad. Las herramientas y los equipos están diseñados para determinados usos. Fabricante recomienda encarecidamente que NO se modifique este producto y que NO se utilice para ningún otro uso que aquél para el que fue diseñado. Lea y comprenda todas las instrucciones operativas y las advertencias antes de utilizar cualquier herramienta o equipo.

INSTRUCCIONES IMPORTANTES SOBRE SEGURIDAD

• Esta unidad fue diseñada para el uso del hogar solamente.

INSTRUCCIONES GENERALES REFERENTE A UN RIESGO DE FUEGO, DE DESCARGA ELÉCTRICA, DE PELIGRO DE LA EXPLOSIÓN, O DE LESIÓN A LAS PERSONAS O A LA PROPIEDAD

• **Evite las condiciones ambientales peligrosas.** No utilice artefactos en zonas húmedas o mojadas. No utilice artefactos bajo la lluvia.

• **Mantenga a los niños alejados.** Los visitantes deben mantenerse a cierta distancia del área de trabajo.

• **Use la vestimenta adecuada.** No use ropas holgadas o joyas. Pueden atascarse en las piezas en movimiento. Se recomienda utilizar guantes de goma y calzado antideslizante considerable al trabajar al aire libre. Recójase y cubra el cabello largo.

• **Use anteojos de seguridad y cualquier otro equipo de seguridad.** Use anteojos protectores o lentes de seguridad con protección lateral que cumplan con las normas de seguridad aplicables. Puede conseguir anteojos de seguridad o similares a un costo adicional en su distribuidor local.

• **Guarde los artefactos que no utilice en el interior.** Cuando no los utilice, los artefactos deben guardarse bajo techo, en un lugar seco, alto o bajo llave, lejos del alcance de los niños.

• **No tire del cable.** Nunca transporte el aparato por el cable ni lo jale para desconectarlo del tomacorriente. Mantenga el cable alejado del calor, el aceite y los bordes afilados.

- **Desconecte los aparatos.** Desconecte el aparato de la fuente de energía cuando no lo utilice, antes de realizar un mantenimiento y al cambiar accesorios como hojas y elementos semejantes.
- **La protección del interruptor de corte por falla a tierra (GFCI)** debe aplicarse a los circuitos o los tomacorrientes que se utilizarán. Hay tomacorrientes con protección GFCI incorporada que pueden utilizarse para tomar esta medida de seguridad.
- **Uso de accesorios y suplementos.** El uso de accesorios o dispositivos no recomendados para utilizar con este aparato puede resultar peligroso. Consulte la sección "Accesorios" de este manual para obtener detalles adicionales.
- **Manténgase alerta.** Fíjese en lo que está haciendo. Use el sentido común. No opere el aparato si está cansado.
- **Compruebe para saber si hay piezas dañadas.** Una parte que esté dañada debe ser reparada o sustituida por el fabricante antes de usar más si no se indique lo contrario en este manual de instrucciones. Haga interruptores defectuosos substituir por el fabricante. No utilice la herramienta si el interruptor no le da vuelta por intervalos.
- **No funcione el aparato cerca de líquidos inflamables o en atmósferas gaseosas o explosivas.** Los motores de estas herramientas normalmente chispean, y las chispas pueden encender los vapores.
- **Nunca sumerja esta unidad en agua;** no la exponga a la lluvia, la nieve, ni la use cuando esté mojada.
- **Para reducir el riesgo de descarga eléctrica,** desconecte la unidad de cualquier fuente de energía antes de intentar limpiarla o realizarle un mantenimiento. Apagar los controles sin desenchufar la unidad no reducirá este riesgo.
- **Este equipo emplea piezas (interruptores y relés) que producen arcos o chispas.** Por lo tanto, si utiliza la unidad en una cochera o un área cerrada, DEBE colocarla a no menos de 457 mm (18 pulgadas) por encima del piso.
- **No utilice esta unidad para operar aparatos que necesitan más de 5 A para funcionar del tomacorriente para accesorios de CC de 12 voltios.**
- **No inserte los objetos extranjeros en el enchufe del USB o el enchufe del accesorio de la CC de 12 voltios.**

INSTRUCCIONES DE SEGURIDAD ESPECÍFICAS PARA CARGAR ESTA UNIDAD

- **IMPORTANTE:** Esta unidad se entrega en un estado de carga parcial. Cargue la unidad completamente con el cable prolongador para uso doméstico (no incluido) durante 40 horas antes de utilizarla por primera vez. No puede sobrecargar la unidad utilizando el método de carga de CA.
- Para recargar esta unidad, utilice solamente el cargador incorporado de la CA.
- Todos los interruptores de ENCENDIDO/APAGADO (ON/OFF) deben estar en la posición de apagado (OFF) cuando se carga la unidad o cuando no está en uso. Asegúrese de que todos los interruptores estén en la posición de apagado (OFF) antes de realizar la conexión a una fuente de energía o carga.

ADVERTENCIA, RIESGO DE DESCARGA ELÉCTRICA

- **No funcione el cargador con la cuerda o el enchufe dañada** – substituya la cuerda o el enchufe inmediatamente.
- **No funcione el cargador si ha recibido un sople agudo, caído, o dañado de otra manera de cualquier manera;** contacto con el fabricante.
- **No desmonte el cargador;** contacto con el fabricante cuando se requiere el servicio o la reparación. El nuevo ensamble incorrecto puede dar lugar a un riesgo de descarga eléctrica o de fuego.
- **No opere la unidad con un cable o enchufe dañados,** o si ésta ha recibido un golpe fuerte, se cayó o presenta algún daño. No desarme la unidad; llévela a un técnico de servicio calificado cuando se requiera mantenimiento o una reparación. Volver a armarla de manera incorrecta podría provocar un riesgo de descarga eléctrica o un incendio, y anulará la garantía.
- **En espacios abiertos, use cables prolongadores.** Cuando opere la herramienta al aire libre, utilice solamente cables prolongadores diseñados para su uso al aire libre o marcados como tales.
- **Cables prolongadores.** Asegúrese de que el cable prolongador esté en buenas condiciones. Cuando utilice un cable prolongador, cerciórese de que tenga la capacidad para conducir la corriente que su producto exige. Un cable de menor capacidad provocará una disminución en el voltaje de la línea, lo cual producirá una pérdida de potencia y sobrecalentamiento. La siguiente tabla muestra la medida correcta que debe utilizar según la longitud del cable y la capacidad nominal en amperios indicada en la placa. En caso de duda, utilice el calibre inmediatamente superior. Cuanto menor es el número de calibre, más grueso es el cable.

CALIBRE MÍNIMO PARA LOS JUEGOS DE CABLES					
Voltios	Largo total del cable en pies				
	120V	0-25 (0-7.6m)	26-50 (7.6-15.2m)	51-100 (15.2-30.4m)	101-150 (30.4-45.7m)
240V	0-50 (0-15.2m)	51-100 (15.2-30.4m)	101-200 (30.4-60.9m)	201-300 (60.9-91.4m)	
Grado del amperio		Longitud de la cable prolongador			
Más que	No más que	0'-25'	26'-50'	51'-100'	101'-150'
Calibrador de alambre Americano (AWG)					
0 -	6	18	16	16	14
6 -	10	18	16	14	12
10 -	12	16	16	14	12
12 -	16	14	12	No recomendado	

• Cuando se utiliza un cable prolongador, asegúrese de que:

- las patas del cable prolongador sean del mismo número, el mismo tamaño y la misma forma que las del cargador,
- el cable prolongador posea los conductores correctos y esté en buenas condiciones eléctricas,
- la medida del conductor sea suficientemente grande para la capacidad nominal en amperios.

■ **PRECAUCIÓN: PARA REDUCIR EL RIESGO DE LESIONES O DAÑO A LA PROPIEDAD:** Tire del enchufe y no del cable al desconectar el cable de extensión desde el cargador de 120 V CA.

INSTRUCCIONES DE SEGURIDAD ESPECÍFICAS PARA COMPRESORES

■ **PRECAUCIÓN: PARA REDUCIR EL RIESGO DE LESIONES O DAÑO A LA PROPIEDAD:** Nunca deje el compresor sin supervisión mientras se está usando.

ADVERTENCIA, PELIGRO DE ESTALLIDO:

- Siga cuidadosamente las instrucciones en los artículos de ser inflado.
- Nunca exceda las presiones recomendadas. Los artículos que estallan pueden provocar lesiones graves.
- Controle siempre la presión con el manómetro (medidor de presión).

PRECAUCIÓN: PARA REDUCIR EL RIESGO DE DAÑO A LA PROPIEDAD:

No funcione el compresor continuamente por más de largo que aproximadamente 10 minutos, dependiendo de temperaturas ambiente, como puede recalentarse. En tal acontecimiento, el compresor puede cerrar automáticamente. Apague el interruptor del compresor inmediatamente y recomience después de calmar período de aproximadamente 30 minutos.

INSTRUCCIONES DE SEGURIDAD ESPECÍFICAS PARA AUXILIARES DE ARRANQUE

ADVERTENCIA, PELIGRO DE ESTALLIDO

No utilice la unidad para cargar las baterías secas que se usan normalmente con los aparatos domésticos. Estas baterías pueden estallar y provocar lesiones a las personas y daños a la propiedad. Use la unidad para refuerzo solamente de una batería de plomo-ácido. No está diseñada para proveer energía a un sistema eléctrico de bajo voltaje que no sea para arrancar un motor.

- El uso de un dispositivo no suministrado, recomendado o vendido por el fabricante específicamente para el uso con esta unidad puede provocar riesgo de descarga eléctrica y lesiones a las personas.

ADVERTENCIA: RIESGO DE GASES EXPLOSIVOS

- Trabajar cerca de una batería de plomo ácido es peligroso. Las baterías generan gases explosivos durante su funcionamiento normal. Por esta razón, es muy importante que siempre lea este manual antes de utilizar el puente auxiliar de arranque y que siga las instrucciones con exactitud.
- Para reducir el riesgo de explosión de la batería, siga estas instrucciones y las publicadas por el fabricante de la batería y el fabricante de cualquier equipo que tenga la intención de utilizar cerca de la batería. Revise las indicaciones sobre precauciones en estos productos y en el motor.

PRECAUCIÓN: PARA REDUCIR EL RIESGO DE LESIONES O DAÑO A LA PROPIEDAD:

NUNCA INTENTE ARRANCAR MEDIANTE PUENTE NI CARGAR UNA BATERÍA CONGELADA.

- Los vehículos que tienen sistemas computarizados incorporados pueden resultar dañados si la batería del vehículo se arranca mediante puente. Antes de arrancar mediante puente, lea el manual del cliente del vehículo para confirmar que la ayuda externa para arrancar es adecuada.
- Cuando trabaje con baterías de plomo-ácido, asegúrese de que siempre haya ayuda inmediata disponible en caso de accidente o emergencia.
- Utilice siempre protección para los ojos al emplear este producto; el contacto con el ácido de la batería puede producir ceguera o quemaduras graves. Conozca los procedimientos de primeros auxilios para el caso de contacto accidental con el ácido de la batería.
- Tenga al alcance mucha agua potable y jabón en el caso de que el ácido de la batería entre en contacto con la piel.

- Nunca fume o permita que haya una chispa o llama cerca de la batería, el motor o la central de energía.
- Quítense los elementos personales metálicos, como anillos, pulseras, collares y relojes cuando trabaja con una batería de plomo-ácido. Una batería de plomo-ácido puede producir un cortocircuito con bastante corriente como para soldar un anillo u objeto metálico similar a la piel y provocar una quemadura grave.
- No use ropa de vinilo cuando arranque un vehículo mediante puente; la fricción puede provocar chispas peligrosas a causa de la electricidad estática.
- Los procedimientos de arranque mediante puente sólo se deben realizar en un área segura, seca y bien ventilada.
- Almacene siempre las pinzas de la batería cuando no se usa. Nunca toque las pinzas de la batería entre sí. Esto puede generar chispas peligrosas, arcos eléctricos o explosión.
- Cuando use esta unidad cerca de la batería y el motor del vehículo, coloque la unidad sobre una superficie plana y estable, y asegúrese de mantener todas las pinzas, los cables, la ropa y las partes del cuerpo alejados de los elementos móviles del vehículo.
- Nunca deje que las pinzas roja y negra se toquen entre sí o con otro conductor metálico común, esto podría provocar daños a la unidad o crear un riesgo de chispas/explosión.
 - a) Para los sistemas con negativo a tierra, conecte la pinza del POSITIVO (ROJA) al borne sin conexión a tierra de la batería y la pinza del NEGATIVO (NEGRA) al bastidor del vehículo o al bloque del motor, lejos de la batería. No conecte la pinza al carburador, las cañerías de combustible o a las piezas de chapa de la carrocería. Conecte a una pieza de metal sólida del bastidor o del bloque del motor.
 - b) Para los sistemas con positivo a tierra, conecte la pinza del NEGATIVO (NEGRA) al borne sin conexión a tierra NEGATIVO de la batería y la pinza del POSITIVO (ROJA) al bastidor del vehículo o al bloque del motor, lejos de la batería. No conecte la pinza al carburador, las cañerías de combustible o a las piezas de chapa de la carrocería. Conecte a una pieza de metal sólida del bastidor o del bloque del motor.
- Si las conexiones a los terminales POSITIVO y NEGATIVO son incorrectas, el indicador de polaridad invertida se encenderá (de color rojo) y la unidad emitirá un sonido. Desconecte las pinzas y vuelva a conectarlas a la batería con la polaridad correcta.
- Siempre desconecte primero el cable del puente del negativo (negro) y luego el cable del puente del positivo (rojo), excepto para los sistemas con positivo a tierra.
- No exponga la batería al fuego o a un calor intenso, porque puede explotar. Antes de eliminar la batería, proteja los terminales expuestos con cinta aislante para trabajo pesado para evitar cortocircuitos (un cortocircuito puede producir lesiones o incendio).
- Coloque esta unidad lo más lejos posible de la batería que los cables permitan.
- Nunca permita que el ácido de la batería entre en contacto con esta unidad.
- No opere esta unidad en un área cerrada ni restrinja la ventilación de alguna forma.
- Este sistema está diseñado para ser utilizado únicamente en vehículos con sistema de batería de CC de 12 voltios. No lo conecte a un sistema de batería de 6 o 24 voltios.
- Este sistema no está diseñado para ser utilizado en reemplazo de una batería de vehículo. No intente hacer funcionar un vehículo que no tenga la batería instalada.
- El exceso de revoluciones del motor puede dañar el mecanismo de arranque de un vehículo. Si el motor no arranca después de la cantidad recomendada de intentos, abandone los procedimientos de arranque mediante puente y busque otros problemas que deban solucionarse.
- No utilice este puente auxiliar de arranque en una moto de agua. No fue diseñado para prácticas marinas.
- Si bien esta unidad contiene una batería que no derrama, se recomienda que la unidad se conserve parada durante el almacenamiento, el uso y la recarga. Para evitar daños posibles que puedan acortar la duración de la unidad, protéjala de la luz solar directa, el calor directo o la humedad.

■ PRIMEROS AUXILIOS

PIEL: Si el ácido de la batería entra en contacto con la piel o la ropa, lave inmediatamente con agua y jabón durante al menos 10 minutos. Si se presenta enrojecimiento, dolor o irritación, busque asistencia médica de inmediato.

OJOS: Si el ácido de la batería entra en contacto con los ojos, lávese los ojos inmediatamente durante 15 minutos como mínimo y busque asistencia médica de inmediato.

CONSERVE ESTAS INSTRUCCIONES

INTRODUCCIÓN

Felicidades por adquirir su nuevo 450A puente auxiliar de arranque con compresor. **Lea el manual de instrucción y siga las instrucciones cuidadosamente antes de utilizar esta unidad.**

CARGA/RECARGAR

Las baterías de plomo-ácido requieren mantenimiento de rutina para asegurar una carga completa y una mayor duración de la batería. Todas las baterías pierden energía por descarga espontánea, se descargan con el paso del tiempo, y con mayor rapidez cuando están a temperaturas más altas. Por lo tanto, las baterías necesitan ser cargadas periódicamente para reemplazar la energía perdida por descarga espontánea. Cuando la unidad no se usa, fabricante recomienda que se recargue la batería al menos cada 30 días.

Notas: Esta unidad se entrega en un estado parcialmente cargado - usted debe cargarlo completamente antes de usarlo para la primera vez. La carga inicial de la CA debe ser por 40 horas.

Recargar la batería luego de cada uso prolongará la vida de la batería; las descargas importantes frecuentes entre recargas o el cargarla en exceso reducirán la duración de la batería. La batería se puede recargar usando el cargador de CA de 120 voltios incorporado.

Cerciórese de que el resto de las funciones de unidad estén apagadas durante la recarga, pues ésta puede retardar el proceso de recarga.

Carga/recarga con el cargador de CA de 120 voltios y un cable prolongador estándar para uso doméstico (no incluido)

1. Levante la cubierta del adaptador de CA ubicado en la parte superior de la unidad y conecte un cable prolongador a la unidad. Enchufe el otro extremo del cable al tomacorriente de pared estándar de CA de 120 voltios.
2. Cargue hasta el indicador LED de estado de batería verde ilumina o destella.
3. Desconecte el cable prolongador y presione el botón del estado de la batería. Si las 3 luces de estado iluminan, la unidad se carga completamente.

Nota: La unidad no se puede sobrecargar si se utiliza el método de CA.

PUENTE AUXILIAR DE ARRANQUE

El puente auxiliar de arranque está equipado con un interruptor de encendido apagado (On/Off) que está situado en el lado derecho del panel frontal bajo una cubierta protectora. Una vez que las conexiones están hechas correctamente, encienda el interruptor para arrancar el vehículo mediante puente.

1. Apague la ignición del vehículo y todos los accesorios (radio, aire acondicionado, luces, cargadores de teléfono celular conectados, etc.). Ubique el vehículo en "estacionar" y coloque el freno de emergencia.
2. Asegúrese de que el interruptor de encendido del puente auxiliar de arranque esté apagado (off).
3. Retire las pinzas del puente de sus respectivas lengüetas. Conecte primero la pinza roja, luego la pinza negra.
4. **Procedimiento para arrancar mediante puente un SISTEMA CON NEGATIVO A TIERRA (el terminal de la batería está conectado al bastidor) (LO MÁS COMÚN).**
 - 4a. Conecte la pinza roja del positivo (+) al terminal del positivo de la batería del vehículo.
 - 4b. Conecte la pinza negra del negativo (-) al bastidor o a un componente metálico no móvil y sólido, o una parte de la carrocería. Nunca fije la pinza directamente al terminal del negativo de la batería o a una pieza móvil. Refiera al manual del dueño del automóvil.
5. **Procedimiento para arrancar SISTEMAS CON POSITIVO A TIERRA.**

Nota: En el caso poco habitual de que el vehículo que se debe arrancar tenga un sistema de positivo a tierra (el terminal positivo de la batería está conectado al bastidor), reemplace los pasos 4a y 4b anteriores con los pasos 5a y 5b, luego continúe con el paso 6.

 - 5a. Conecte la pinza negra del negativo (-) al terminal del negativo de la batería del vehículo.
 - 5b. Conecte la pinza roja del positivo (+) al bastidor del vehículo o a un componente metálico no móvil y sólido, o una parte de la carrocería. Nunca fije la pinza directamente al terminal del positivo de la batería o a una pieza móvil. Refiera al manual del dueño del automóvil.
6. Cuando las pinzas estén correctamente conectadas, levante la cubierta protectora y encienda el interruptor de encendido del puente auxiliar de arranque.
7. Encienda la ignición y acelere el motor en etapas de 5 a 6 segundos hasta que arranque.
8. Coloque el interruptor de encendido del puente auxiliar de arranque en la posición de apagado (off) nuevamente.
9. Desconecte la pinza del negativo (-) del motor o bastidor primero y luego desconecte la pinza del positivo (+) de la batería.

■ ADVERTENCIA: PARA REDUCIR EL RIESGO DE LESIONES O DAÑO A LA PROPIEDAD:

- **SIGA TODAS LAS INSTRUCCIONES DE SEGURIDAD ENCONTRADAS EN LA SECCIÓN DE LAS "INSTRUCCIONES DE SEGURIDAD ESPECÍFICAS PARA AUXILIARES DE ARRANQUE" DE ESTE MANUAL DE LA INSTRUCCIÓN.**
- Antes de comenzar a arrancar mediante puente, debe apagar el interruptor de encendido del puente auxiliar.
- Este sistema está diseñado para utilizarse EXCLUSIVAMENTE en vehículos con sistemas de batería de 12 voltios de CC.
- Nunca toque entre sí las pinzas roja y negra de la batería: esto puede provocar chispas peligrosas, arco eléctrico o explosión.
- Después de cada uso, apague el interruptor de encendido del puente auxiliar de arranque.
- Reemplace las piezas gastadas o defectuosas inmediatamente.

■ PRECAUCIÓN: RIESGO DE DAÑO A LA PROPIEDAD

- Los vehículos que tienen sistemas computarizados incorporados pueden resultar dañados si la batería del vehículo se arranca mediante puente. Antes de arrancar mediante puente este tipo de vehículo, lea el manual del vehículo para confirmar que se aconseja ayuda externa para arrancar.
- El exceso de revoluciones del motor puede dañar el mecanismo de arranque del vehículo. Si el motor no arranca después de la cantidad recomendada de intentos, abandone el procedimiento de arranque mediante puente y busque otros problemas que puedan ser solucionados.
- Si las conexiones a los terminales POSITIVO y NEGATIVO son incorrectas, el indicador de polaridad invertida se encenderá y la unidad emitirá una alarma continua hasta que las pinzas estén desconectados. Desconecte las pinzas y vuelva a conectarlas a la batería con la polaridad correcta.

- Si no es posible arrancar el vehículo, apague la ignición, coloque el interruptor de encendido del puente auxiliar de arranque en la posición de apagado (off), desconecte los conductores del puente auxiliar de arranque y comuníquese con un técnico calificado para investigar por qué no arrancó el motor.
- Vuelva a cargar la unidad completamente después de cada uso.

FUENTE DE ENERGÍA PORTÁTIL DE 12 V CC

La alimentación de 12 voltios de CC se encuentra bajo una cubierta protectora en el lado izquierdo del panel frontal. Consulte la ilustración de la sección de características de localizar. Esta fuente de energía portátil también se puede usar con accesorios de CC de 12 V equipados con un enchufe macho y que esté indicado hasta 5 A.

1. Levante la tapa del tomacorriente de CC de 12 V de la unidad.
2. Inserte el enchufe de CC de 12 V del aparato en el tomacorriente para accesorios de 12 V de la unidad. NO EXCEDA UNA CARGA DE 5 AMPERIOS.
3. Encienda el aparato y opérelolo como de costumbre.
4. Periódicamente pulse el botón de nivel de energía de la batería para comprobar el estado de la batería. (Cuando los tres LEDs de estado de la batería se iluminan, indica que la batería está totalmente cargada. Sólo una condición de batería rojo indicador luminoso indica que la unidad necesita ser recargada.)

PUERTO DE CARGA DEL USB

El puerto de alimentación USB es bajo la misma cubierta protectora como la salida de 12 voltios para accesorios de CC en el lado izquierdo del panel frontal. Consulte la ilustración de la sección de características de localizar.

1. Empuje el botón de la energía del USB para girar el puerto del USB y el indicador de energía del USB se encenderá.
2. Levante para arriba la cubierta del puerto de carga del USB.
3. Tape el dispositivo USB-accionado en el puerto de carga del USB y funcione normalmente.
4. Periódicamente pulse el botón de nivel de energía de la batería para comprobar el estado de la batería. (Cuando los tres LEDs de estado de la batería se iluminan, indica que la batería está totalmente cargada. Sólo una condición de batería rojo indicador luminoso indica que la unidad necesita ser recargada.)

Notas: Los puertos de carga USB de esta unidad NO admiten comunicación de datos. Sólo proporcionan un máximo de energía de 5 voltios de CC/500 mA a un dispositivo eléctrico USB externo.

Asegúrese de que el botón de la energía del USB esté en la posición de apagado cuando se recargue o almacene la unidad.

Una cierta electrónica USB-accionada hogar no funcionará con esta unidad.

LUZ DEL ÁREA DE DOS LEDS

La luz del área de dos LEDs incorporada está situado en el centro del panel frontal y es controlada por el botón de área de alimentación de luz. Consulte la ilustración en la sección de características de localizar. Pulse el botón de encendido luz del área de una vez para encender las luces. Pulse el botón de encendido luz del área de nuevo para apagar las luces. Asegúrese de que la luz de zona de dos LEDs se apaga cuando la unidad se está cargando o almacenado.

Controle periódicamente el estado de la unidad de la batería presionando el botón de nivel de energía de la batería. (Cuando todo el estado de la batería tres indicadores LED, que indica que la batería completa. Si sólo una batería rojo indicador de estado, que indica que la unidad necesita ser recargada.)

COMPRESOR

El incorporado compresor de 12 voltios CC es el índice de inflación máxima para todos los neumáticos del vehículo, los neumáticos del remolque e hinchables de recreo. La manguera compresor con ajuste neumático está almacenado en el compartimiento de almacenamiento. El interruptor de alimentación compresor está localizado en la parte superior del panel frontal y el indicador de presión de aire se encuentra en la parte posterior de la unidad. Consulte la ilustración en la sección de características de localizar. El compresor puede funcionar el tiempo suficiente para llenar hasta 3 llantas de tamaño medio antes de que la batería debe ser recargada.

El compresor se puede utilizar quitando la manguera de aire del receptáculo de almacenamiento, y de ser necesario, colocando un pico apropiado a la manguera de aire. Vuelva la manguera al uso posterior del compartimiento del almacenaje.

Cómo inflar neumáticos o productos con vástagos de válvulas

1. Levante el cierre del pulgar en el inyector de SureFit™ (tirada) y quépalo sobre el vástago de válvula.
2. Asegúrese que conector del inyector de SureFit™ esté empujado encendido al vástago de válvula lo más lejos posible antes del cierre cerrado del pulgar.
3. Asegúrese de que el cerrojo esté firme.
4. Encienda el interruptor de energía del compresor.
5. Controle la presión con el manómetro (medidor de presión).
6. Cuando está deseada la presión se alcanza, cierre abierto del pulgar y quita el conector del inyector de SureFit™ del vástago de válvula.
7. Apague el interruptor de energía del compresor.
8. Permita que la unidad se enfríe antes de almacenarla.

9. Almacene la manguera del compresor y el accesorio para neumáticos en el compartimiento de almacenamiento.

Cómo inflar otros artículos inflables sin vástago de válvula

El inflado de otros artículos requiere el uso de uno de los adaptadores (picos).

1. Seleccione el pico del adaptador apropiado.
 2. Levante el cierre del pulgar en el inyector de SureFit™, inserte el adaptador (por ejemplo, aguja) en el conector del inyector de SureFit™ y el cierre cercano del pulgar.
 3. Inserte el adaptador (por ejemplo, aguja) en el artículo que se inflará.
 4. Encienda el interruptor de energía del compresor (on) e infle a la presión deseada o hasta llenar.
- NOTA IMPORTANTE:** Los artículos pequeños como las pelotas de voleibol, fútbol, etc. se inflan muy rápidamente. No infle demasiado.
5. Retire el adaptador.
 6. Apague el interruptor de energía del compresor (off).
 7. Permita que la unidad se enfríe antes de almacenarla.
 8. Almacene la manguera del compresor y el accesorio para neumáticos en el compartimiento de almacenamiento.

ADVERTENCIA: PARA REDUCIR EL RIESGO DE LESIONES O DAÑO A LA PROPIEDAD: SIGA TODAS LAS INSTRUCCIONES DE SEGURIDAD ENCONTRADAS EN LA SECCIÓN DE LAS "INSTRUCCIONES DE SEGURIDAD ESPECÍFICAS PARA COMPRESORES" DE ESTE MANUAL DE LA INSTRUCCIÓN.

CUIDADO Y MANTENIMIENTO

Con el tiempo, todas las baterías pierden energía debido a la descarga automática y con mayor rapidez en ambientes con temperaturas elevadas. Cuando la unidad no esté en uso, recomendamos cargar la batería al menos cada 30 días.

No sumerja este reflector en agua. Si la unidad se ensucia, limpie las superficies exteriores con cuidado. Utilice una tela suave humedecida con una mezcla diluida de agua y detergente.

No hay ningún usuario-sustituibles piezas. Periódicamente inspeccione la condición de adaptadores, conectores y alambres. Contacto fabricante para sustituir los componentes que han pasado a ser gastado o rotas.

Reemplazo/desecho de la batería

REEMPLAZO DE LA BATERÍA

La batería debería durar la vida útil de la unidad. Contacto fabricante para cualquier información que pueda necesitar.

ELIMINACIÓN DE LA BATERÍA

Contiene una batería de plomo-ácido sellada, anti-derrame que no requiere mantenimiento, la cual debe ser eliminada de manera correcta. Se requiere reciclado (comuníquese con su autoridad local para más información). El incumplimiento de las reglamentaciones locales, estatales y federales pueden provocar multas o penas de prisión.

Contacte la autoridad local de recolección de basura para disponer de este producto.

ADVERTENCIAS:

- No deseche la batería en el fuego ya que puede ocasionar una explosión.
- Antes de desechar la batería, proteja las terminales descubiertas con cinta eléctrica para trabajos pesados. De esta manera previene cortos circuitos (los cortos circuitos pueden ocasionar lesiones e incendios).
- No exponga la batería al fuego o al calor extremo ya que puede explotar.

DETECCIÓN DE PROBLEMAS

La unidad no carga

- Cerciórese de que todas las funciones de unidad estén apagadas.
- Cerciórese de que una cuerda de extensión conveniente del calibrador esté conectada correctamente con la unidad y un enchufe de funcionamiento de la CA.

La unidad no puede saltar comienzo el motor

- Asegúrese de que el interruptor de seguridad de la unidad está en la posición encendido (ON).
- Controle que el puente auxiliar de arranque tenga la carga completa. Recargue la unidad en caso de necesidad.
- Asegúrese de que se han realizado las conexiones de los cables con la polaridad correcta.

El puerto de la energía del USB no accionará la aplicación

- Asegúrese de que el botón de encendido/apagado del puerto de carga USB esté en la posición de encendido (on).
- Controle que el puente auxiliar de arranque tenga la carga completa. Recargue la unidad en caso de necesidad.

La luz zonal de diodo (LED) no enciende

- Cerciórese de que el botón Con./Desc. de la luz del área del LED esté en la posición de trabajo.
- Controle que el puente auxiliar de arranque tenga la carga completa. Recargue la unidad en caso de necesidad.

El compresor portátil no inflará

- Cerciórese de que el interruptor del compresor esté en la posición de trabajo.



- Controle que el puente auxiliar de arranque tenga la carga completa. Recargue la unidad en caso de necesidad.
- Cerciórese de que el conector esté empujado al vástago de válvula y cierre del pulgar es cerrado al intentar inflar los neumáticos; o el inyector (adaptador) se inserta con seguridad en el conector (tirada) en el resto de los inflables.

ACCESORIOS

Los accesorios que se recomiendan para la herramienta están disponibles en su distribuidor local. Si necesita asistencia en relación con los accesorios, por favor contacto fabricante en (877) 571-2391.

⚠ ADVERTENCIA: El uso de cualquier accesorio no recomendado para el uso con esta aplicación podía ser peligroso.

INFORMACIÓN DE SERVICIO

Si usted necesita asesoramiento técnico, reparación, o una verdadera fábrica piezas de recambio, contacto con el fabricante en (877) 571-2391.

UNA GARANTÍA LIMITADA DEL AÑO

El fabricante garantiza este producto contra defectos en materiales y mano de obra durante un período de UN (1) AÑO desde la fecha de compra por el usuario final comprador (“período de garantía”).

Si hay un defecto y una reclamación válida es recibido dentro del periodo de garantía, el producto defectuoso puede ser reemplazado o reparado en las siguientes maneras: (1) Devolver el producto al fabricante de reparación o sustitución de fabricante, opción. Prueba de compra puede ser requerida por el fabricante. (2) Devolver el producto al minorista donde producto fue comprado por un intercambio (siempre que la tienda es una participación minorista). Regresa al minorista debe hacerse dentro del plazo del minorista, política de retorno de intercambios sólo (generalmente de 30 a 90 días después de la venta). Prueba de compra puede ser necesaria. Por favor consulte con el minorista para su regreso específicas política sobre rendimientos que están fuera del plazo establecido para el intercambio.

Esta garantía no se aplicará a los accesorios, bulbos, fusibles y baterías; defectos resultantes de desgaste normal; accidentes; daños y perjuicios sufridos durante el envío; alteraciones; el uso no autorizado o reparación; abandono; mal uso; abuso; y no seguir las instrucciones de cuidado y mantenimiento del producto.

Esta garantía le da, el original comprador minorista, determinados derechos jurídicos y puede tener otros derechos que varían de estado a estado o provincia a provincia. Este producto no está destinado para uso comercial.

Termine por favor la tarjeta de registro del producto y vuelva en el plazo de 30 días de la compra del producto a: Baccus Global LLC, 595 S. Federal Highway, Suite 210, Boca Raton, FL 33432. **Baccus Global LLC, discado gratuito: (877) 571-2391.**

ESPECIFICACIONES

Amperios de impulso:	12Vdc, 450A instantánea
Tipo de batería:	sin mantenimiento, selladas de plomo ácido, 12Vdc, 17Ah
Entrada AC:	120Vac, 60Hz, 9W
Luz zonal:	2 LEDs blancos
DC accesorio de salida:	12Vdc, 5A
Puerto USB:	5 VCC, 500 mA
Máxima presión de inflado:	120 PSI

Importados por Baccus Global LLC, 595 S. Federal Highway, Suite 210, Boca Raton, FL 33432 • (877) 571-2391

RD053012