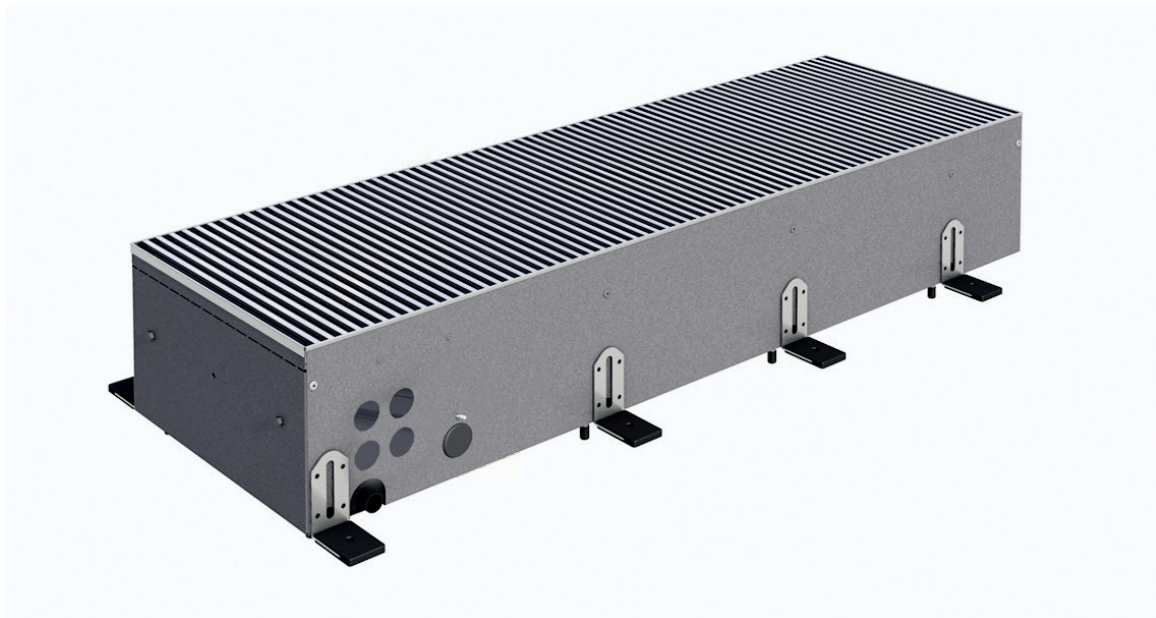


## JAGA CLIMA QUATRO CANAL H 19 JAGA CLIMA CANAL H 19

- 2-Pipe system: Clima Canal H19
- 4-Pipe system: Clima Quatro Canal H19
- to heat and / or cool
- connecting a ventilation system (option)
- easily assembled
- EC motor
- more quiet, more powerful, more economical, more durable
- wide range
- also suitable for low temperature heating systems



Page Index:

|   |             |
|---|-------------|
| 3 | description |
|---|-------------|

### Standard delivery

|   |                                 |
|---|---------------------------------|
| 4 | standard delivery 2-pipe system |
|---|---------------------------------|

|   |                                 |
|---|---------------------------------|
| 5 | standard delivery 4-pipe system |
|---|---------------------------------|

|   |                     |
|---|---------------------|
| 6 | product description |
|---|---------------------|

|   |            |
|---|------------|
| 7 | dimensions |
|---|------------|

### Grilles

|   |                 |
|---|-----------------|
| 8 | aluminum grille |
|---|-----------------|

|   |               |
|---|---------------|
| 9 | wooden grille |
|---|---------------|

### Output

|    |   |
|----|---|
| 12 | technical info: heating with the 2-pipe system 170/150/68°F , 130/110/68°F , 85/90/68°F |
|----|---|

|    |  |
|----|--|
| 13 | technical info: cooling with the 2-pipe system 45/55/80°F , 60/65/68°F |
|----|--|

|    |   |
|----|---|
| 14 | technical info: heating with the 4-pipe system 170/150/68°F , 130/110/68°F , 85/90/68°F |
|----|---|

|    |  |
|----|--|
| 15 | technical info: cooling with the 4-pipe system 45/55/80°F , 60/65/68°F |
|----|--|

### Pressure drop

|    |  |
|----|--|
| 16 | technical info: pressure drop: 2-pipe system |
|----|--|

|    |  |
|----|--|
| 17 | technical info: pressure drop: 4-pipe system |
|----|--|

### Hydraulics

|    |                           |
|----|---------------------------|
| 20 | connecting the hydraulics |
|----|---------------------------|

### Electra

|    |                       |
|----|-----------------------|
| 21 | electrical connection |
|----|-----------------------|

### Options:

|    |                |
|----|----------------|
| 24 | power supplies |
|----|----------------|

|    |                         |
|----|-------------------------|
| 25 | vent connection adapter |
|----|-------------------------|

|    |                 |
|----|-----------------|
| 26 | JDPC controller |
|----|-----------------|

|    |                |
|----|----------------|
| 27 | empty trenches |
|----|----------------|

|    |                  |
|----|------------------|
| 28 | 90° corner piece |
|----|------------------|

|    |  |
|----|--|
| 29 | adjustable brackets with slotted holes |
|----|--|

|    |                        |
|----|------------------------|
| 30 | raised floor pedestals |
| 31 |                        |

|    |                |
|----|----------------|
| 32 | specifications |
|----|----------------|

|    |          |
|----|----------|
| 33 | specials |
|----|----------|

|    |             |
|----|-------------|
| 34 | spare parts |
|----|-------------|

## HEAT COOL VENTILATE\*

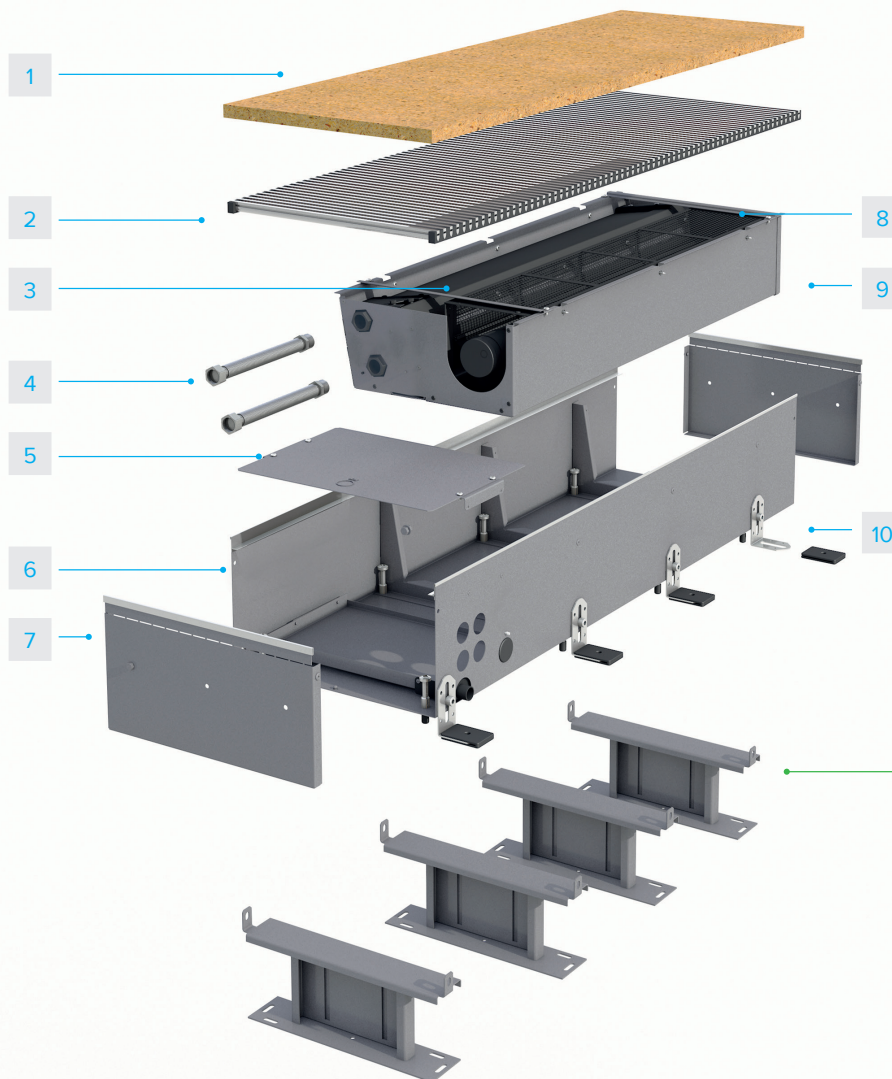
Jaga Clima Canal H 19 (2-pipe system) and Clima Quatro Canal H 19 (4-pipe system) both heat and cool. They were designed for in-floor installation and the cooling is very effective with both sensible and total cooling systems.

The new electronic commutation motors or EC-motors make your fans more energy-efficient, more quiet, more powerful and more durable. The introduction of these motors is very important in a time when people are becoming increasingly more environmentally-aware.

The electronics in EC-motors ensure that the motor's Rpm is continually monitored and also that the power input is adjusted in order to be as energy-efficient as possible. The energy consumption is directly linked to the fan speed and thus also to the fan's flowrate: This means that the EC-motor's Rpm determines how much energy is being consumed.

- Jaga Clima Canal H19: 2-pipe system coil
- Jaga Clima Quatro Canal H19: 4-pipe system coil
- heating
- cooling
- ventilation: \* optional adaptor that can be connected to a ventilation duct.
- Low-Temperature System: suitable for heat pumps and condensing boilers
- available with Jaga's pre-installed and multifunctional controller "Jaga: Dynamic Product Controller JDPC".
- lengths: 105cm 41" 11/32 cm 41" 11/32 - 120cm 47" 1/4cm 47" 1/4 - 200cm 78" 47/64cm 78" 47/64 - 280cm 110" 15/64cm 110" 15/64
- width 34 cm 133" 55/64 133" 55/64
- adjustable in height from 19cm 7"31/64cm 7"31/64 to 23.5cm 9"1/4cm 9"1/4
- energy-efficient, maintenance free EC motor, fans : 24 VDC/ECM
- 0..10 V fan control for home automation
- suitable for both sensible and total cooling systems
- aluminum grille / wooden grille
- wooden panel that serves as a protective cover during and after the installation
- suitable for continuous installation, open spaces can be filled with empty trenches
- for heat pumps and condensing boilers

### 2-PIPE SYSTEM FOR HEATING AND COOLING



**A 2-PIPE SYSTEM:** can only cool or heat a building. The 2-pipe system has a common supply pipe for both heated and cooled water. This means that there is one pipe supplying and one pipe returning the cooled or heated water.

Jaga Clima Canal H19 provides excellent heating and the cooling is very effective with both sensible and total cooling systems

**OPTION:**

- made from electrolytic galvanized steel
- adjustable in height

**1 Protective cover:**

Wooden panel that protects the device during and after installation.

**2 Grille(s):**

Grille panel (s) (36 cm in length). Designed for easy maintenance.

- with anodized aluminum profiles
- optional: powder coated profiles, available in different colors.
- grille holders: EPDM rubber hardness 85.

Wooden grille:

- in natural or varnished oak
- in natural or varnished beech

**3 Dynamic coil:**

2-Pipe system: Round, seamless circular pipes in copper, connected to aluminium panels with a mutual distance of 1.8 mm and an integrated brass collector, including air venting

- operating pressure: max 10 bar
- connection 1/2"

**4 Flexible, stainless steel connectors:**

- Installation recommended with stainless steel hose, provided by others

**5 Valve cover panel:**

Made from electrolytic galvanized steel. Hidden from view and dirt-proof.

**6 Outer trench:**

- made from electrolytic galvanized steel.
- with stainless steel grille holders
- with holes for both hydraulic and electrical connection

**7 End cap**

- made from electrolytic galvanized steel
- with stainless steel grille holder

**8 EC Tangential fans:**

- EC technology.
- with stainless steel fan guard

**9 Inner trench:**

Made from electrolytic galvanized steel

- trench for the coil and the fan unit
- for a safe condensate drain and optimal air flow
- reinforced with small cross bars

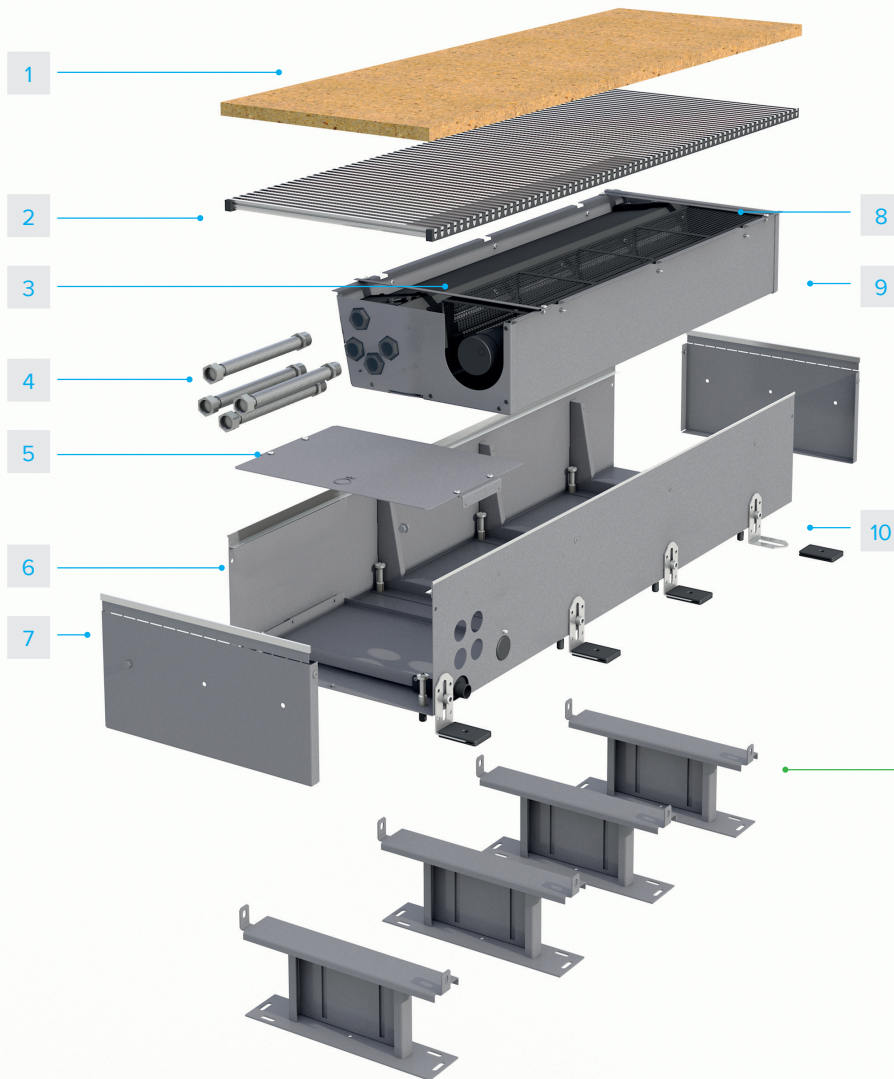
**10 External height adjustment**

L-profile.

- with rubber acoustic insulation
- if the Clima Canal is not installed directly on the floor, the cavity underneath needs to be filled with a solid mass( concrete or screed).



## 4-PIPE SYSTEM FOR HEATING COOLING



**A 4-PIPE SYSTEM:** can both heat and /or cool different rooms at the same time (depending on what's required in each room). The 4-pipe system has separate supply and return pipes for cooled and heated water. In other words, there is a 1 supply and 1 return pipe for the heated water and 1 supply and 1 return pipe for the cooled water.

Clima Quattro Canal H19 provides excellent heating and the cooling is very effective with both sensible and total cooling systems.

**OPTION:**

- made from electrolytic galvanized steel
- adjustable in height

**1 Protective cover:**

Wooden panel that protects the device during and after installation.

**2 Grille(s):**

Grille panel (s) (36 cm in length).  
Designed for easy maintenance.

- with anodized aluminum profiles
- optional: powder coated profiles, available in different colors.
- grille holders: EPDM rubber hardness 85.

Wooden grille:

- in natural or varnished oak
- in natural or varnished beech

**3 Dynamic coil:**

4-Pipe system: Round, seamless circular pipes in copper, connected to aluminium panels with a mutual distance of 1.8 mm and an integrated brass collector, including air venting

- operating pressure: max 10 bar
- connection 1/2"

**4 Flexible, stainless steel connectors:**

- Installation recommended with stainless steel hose, provided by others

**5 Valve cover panel:**

Made from electrolytic galvanized steel.  
Hidden from view and dirt-proof.

**6 Outer trench:**

- made from electrolytic galvanized steel.
- with stainless steel grille holders
- with holes for both hydraulic and electrical connection

**7 End cap**

- made from electrolytic galvanized steel
- with stainless steel grille holder

**8 EC Tangential fans:**

- EC technology.
- with stainless steel fan guard

**9 Inner trench:**

Made from electrolytic galvanized steel

- trench for the coil and the fan unit
- for a safe condensate drain and optimal air flow
- reinforced with small cross bars

**10 External height adjustment**

L-profile.

- with rubber acoustic insulation
- if the Clima Canal is not installed directly on the floor, the cavity underneath needs to be filled with a solid mass (concrete or screed).

### A new generation of energy-efficient motors:

Working in an environmentally-friendly manner and energy conservation are both very important nowadays. The introduction of "electronic commutation" or EC-motors is the next step towards lower energy consumption, less noise pollution and an increased durability.



### Product description:

- energy- efficient and maintenance free EC- motor
- dynamic coil
- heats and cools
- 2-pipe system available in 4 lengths
- 4-pipe system available in 4 lengths
- electronic speed is set through a 0...10V signal
- suitable for both sensible and total cooling systems
- hydraulic and electric connection on the left hand side

### Options:

- empty trenches for continuous installation
- 90° corner pieces for continuous installation
- DIN-Rail mountable 24 VDC power supply/supplies
- built-in watertight 24VDC/30 power supply
- pre-installed valves and flexible hoses on the side: 2 hydraulic fittings (2-pipe) or 4 hydraulic fittings (4-pipe)
- external electrical connection
- ventilation connection
- adjustable raised floor pedestals

### Control:

- 0...10V connection for home automation
- pre-installed multifunctional controller: Jaga Dynamic Product Controller (JDPC)

### Grill:

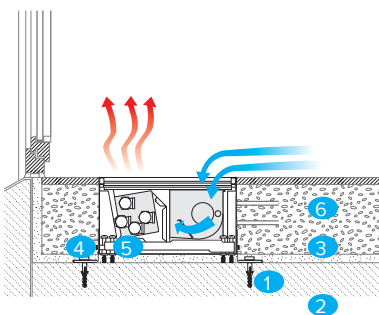
Grille panels:

- specially designed for easy maintenance.
- aerodynamic, anodized aluminum profiles
- color: natural
- optional: powder coated profiles, available in different colors
- sound attenuating grille holders: EPDM rubber hardness 85.

Wooden grille:

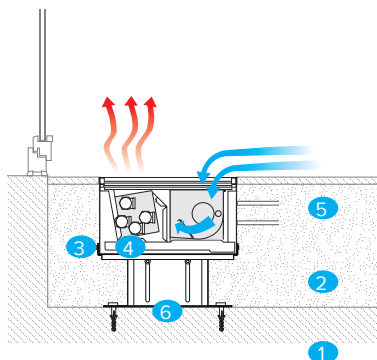
- in natural or varnished oak
- in natural or varnished beech

### Installation in screed:



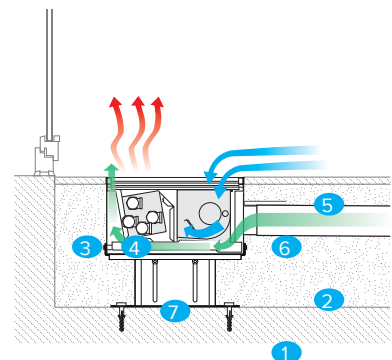
1. heat- and contact insulation
2. concrete floor
3. floor screed
4. device
5. coil on the window side
6. floor finish

### Installation in a raised floor:



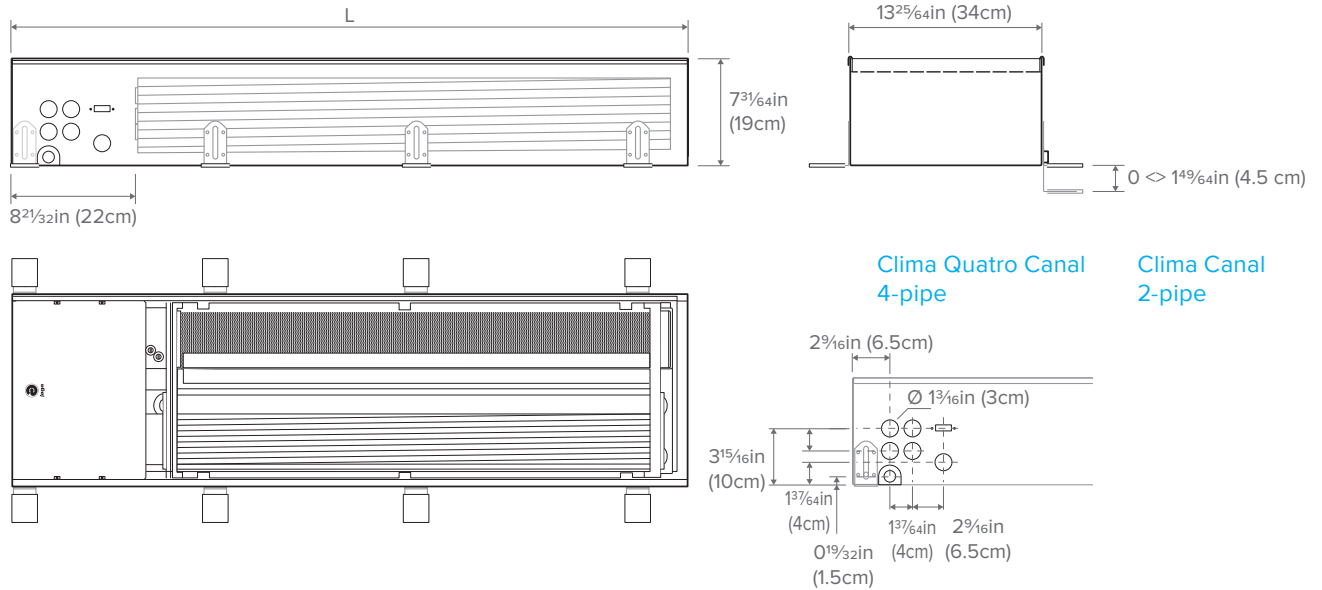
1. concrete floor
2. contact- and noise insulation
3. device
4. coil on the window side
5. raised floor
6. optional, adjustable pedestals

### Installation in a raised floor with air inlet



1. concrete floor
2. contact- and noise insulation
3. device
4. coil on the window side
5. raised floor
6. supply air duct
7. optional, adjustable pedestals

Dimensions:



Clima Quatro Canal simple external height adjustment (L profile):



With screed (concrete or cement), edge insulation will have to be installed around the device in order to protect it and to deal with the stress that's caused by heating or cooling.

Clima Canal H19, general technical data:

| Clima Canal (2-pipe) :        |                                  | Code |                             |          |           |            |
|-------------------------------|----------------------------------|------|-----------------------------|----------|-----------|------------|
| Clima Quatro Canal (4-pipe) : |                                  | Code |                             |          |           |            |
| Dimensions                    | (L) Length                       | inch | 41" 11/32                   | 47" 1/4  | 78" 47/64 | 110" 15/64 |
|                               | Width                            |      | 13" 25/64                   |          |           |            |
|                               | Height                           |      | 7" 31/64                    |          |           |            |
| Perforations                  | Hydraulic                        | inch | 4 perforations Ø 1" 3/16 cm |          |           |            |
|                               | Electric                         |      | 1 perforations Ø 1" 3/16 cm |          |           |            |
|                               | Condensate drain                 |      | Ø 25/32 cm                  |          |           |            |
| Electrical connection         | Power supply                     | VDC  | 24                          |          |           |            |
|                               | Electric power (max)             | W    | 15                          | 24       | 39        | 54         |
| Height adjustment             | Standard height                  | inch | max 1" 49/64                |          |           |            |
|                               | Total height including pedestals |      | 9' 29/64 <> 19" 19/64       |          |           |            |
| Coil                          | Coil connection                  | inch | 1/2"                        |          |           |            |
|                               | Air vent                         |      | 1/8"                        |          |           |            |
|                               | Active length                    | inch | 27" 1/64                    | 33" 5/64 | 64" 9/16  | 96 1/16"   |
|                               | Fin spacing                      | inch | 7/64                        |          |           |            |
| Weight                        | (without accessories)            | Lb   | 55                          | 63       | 110       | 156        |

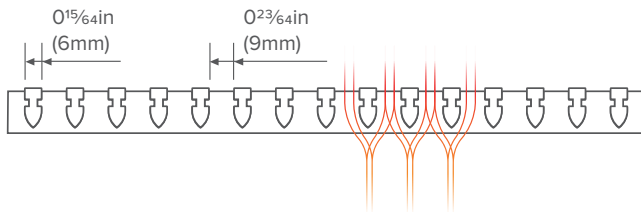
### Aluminum grille

Aluminum grille panel with aerodynamic transversal profiles, which are held in place by black anti-vibration EPDM grille holders.

#### Versions:

- in anodized aluminum BNA
- in powder coated aluminum BNC ( see Jaga's color chart)

#### Grille dimensions 0.24"



#### Description:

- 6 x 0.55" mm profiles, 0.35" mm spacing
- aerodynamic profiles, for an optimal air flow.
- anodized or powder coated with a UV- resistant polyester coating.
- suitable for continuous installation

#### Benefits:

- suitable for continuous installation
- with noise insulating EPDM rubber holders
- designed for easy maintenance
- aerodynamic profiles
- the aluminum profiles are low maintenance
- a natural finish ( anodized aluminum) or a UV-resistant polyester coating with a gloss level of  $\pm 75\%$ , (code O2), which are available in different colors ( see Jaga's color chart)

### Anodized aluminum



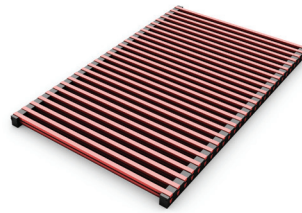
Anodized aluminum: Add to order code: BNA

Anodizing is an electrochemical process whereby an additional decorative, durable, corrosion-resistant and abrasion-resistant oxide layer is added to the metallic surface. This layer of aluminum oxide is not applied in the same manner as a layer of coating, but it's fully integrated with the underlying aluminum. It has an orderly, and porous structure that enables additional processes, such as coloring.

#### Benefits:

- refined look, while still maintaining its metallic properties
- high reflection for "cool buildings"
- durable, corrosion resistant and colorfast
- low maintenance
- easily recyclable "Cradle to Cradle"

### Powder coated aluminum



Powder coated aluminum: Add to order code: BNC / color code

Jaga has 2 environmentally friendly, electrostatic powder coating lines. No solvents are used in these powder coating lines. After having been thoroughly pretreated, the radiators are powder coated and heat cured. This makes them extremely UV- and scratch-resistant.

#### Coating:

An environmentally friendly, TGIC –free polyester powder coating, that has been optimized for architectural uses.

- gloss level:  $\pm 75\%$
- GSB certificate of quality
- certification: Class 1 durability

#### Jaga colors:

These are colors that were designed by Jaga for both a modern and classic finish.

#### RAL:

The RAL system is a coded system that precisely defines different colors. RAL colors will always have exactly the same shade, even if they are produced by another manufacturer. The Jaga color chart and / or powder coated samples are available on demand.

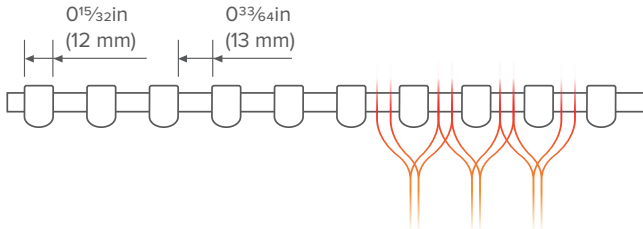
## Wooden grille

Wooden grille with aerodynamic transversal profiles, connected by a galvanized coil. The correct spacing is ensured by aluminum inserts.

### Version:

- natural beech or oak
- varnished beech or oak

### Grille dimensions 0.51"



### Description:

- 12 x 0.6" mm profiles, 0.51" mm spacing
- aerodynamic profiles, for an optimal air flow
- in natural or varnished beech, oak
- connected through a galvanized coil
- 0.51" mm aluminum inserts
- natural (untreated), the customer can give the grille exactly the same finish as the floor's
- varnish, UV-resistant, scratch resistant

### Benefits:

- suitable for continuous installation.
- designed for easy maintenance
- aerodynamic profiles

## Natural oak



Natural oak: Add to order code: BON

## Varnished oak



Varnished oak: Add to order code: BOV

## Natural Beech



Natural Beech: Add to order code: BBN

## Varnished beech



Varnished Beech: Add to order code: BBV

### Advantages:

- refined look, made from premium wood
- durable and color-fast
- requires little maintenance

### Varnish:

A colorless, clear, two-component, UV-resistant, acrylic resin based polyurethane varnish.



# JAGA CLIMA QUATRO CANAL H 19

## JAGA CLIMA CANAL H 19





## Output

|    |  |
|----|--|
| 12 | technical info: heating with the 2-pipe system |
| 13 | technical info: cooling with the 2-pipe system |
| 14 | technical info: heating with the 4-pipe system |
| 15 | technical info: cooling with the 4-pipe system |

## Pressure drop

|    |  |
|----|--|
| 16 | technical info: pressure drop: 2-pipe system |
| 17 | technical info: pressure drop: 4-pipe system |

### Jaga Clima Canal heating

### 2 - pipe

| Speed level | Control voltage | 170/150/68°F     | 130/110/68°F     | 95/85/68°F       | Sound pressure level<br>*** | Sound power level ** | Electrical power | Air flow |
|-------------|-----------------|------------------|------------------|------------------|-----------------------------|----------------------|------------------|----------|
|             |                 | Heating output * | Heating output * | Heating output * |                             |                      |                  |          |
| %           | [V]             | [Btu/h]          | [Btu/h]          | [Btu/h]          | Lp [dB(A)]                  | Lw [dB(A)]           | [W]              | (CFM)    |

#### L 105

|     |    |       |       |      |      |      |      |     |
|-----|----|-------|-------|------|------|------|------|-----|
| 20  | 2  | 4344  | 2455  | 1039 | 17.0 | 25.0 | 1.5  | 57  |
| 40  | 4  | 6855  | 3875  | 1639 | 21.0 | 29.0 | 2.7  | 98  |
| 60  | 6  | 8953  | 5060  | 2141 | 27.0 | 35.0 | 4.8  | 139 |
| 80  | 8  | 10819 | 61115 | 2487 | 35.0 | 43.0 | 9.3  | 182 |
| 100 | 10 | 12531 | 7083  | 2996 | 40.0 | 48.0 | 15.0 | 207 |

#### L120

|     |    |       |      |      |      |      |      |     |
|-----|----|-------|------|------|------|------|------|-----|
| 20  | 2  | 5398  | 3051 | 1291 | 19.0 | 27.0 | 3.2  | 48  |
| 40  | 4  | 8519  | 4815 | 2037 | 22.0 | 30.0 | 6.7  | 105 |
| 60  | 6  | 11124 | 6288 | 2660 | 28.0 | 36.0 | 12.1 | 153 |
| 80  | 8  | 13444 | 7599 | 3215 | 36.0 | 44.0 | 18.4 | 207 |
| 100 | 10 | 15571 | 8801 | 3723 | 41.0 | 49.0 | 24.0 | 236 |

#### L200

|     |    |       |       |      |      |      |      |     |
|-----|----|-------|-------|------|------|------|------|-----|
| 20  | 2  | 10539 | 5957  | 2520 | 21.1 | 29.1 | 4.6  | 105 |
| 40  | 4  | 16632 | 9400  | 3977 | 24.6 | 32.6 | 9.4  | 204 |
| 60  | 6  | 21719 | 12276 | 5194 | 30.5 | 38.5 | 16.9 | 292 |
| 80  | 8  | 26247 | 14835 | 6277 | 38.5 | 46.5 | 27.7 | 388 |
| 100 | 10 | 30400 | 17183 | 7270 | 43.5 | 51.5 | 38.9 | 443 |

#### L280

|     |    |       |       |       |      |      |      |     |
|-----|----|-------|-------|-------|------|------|------|-----|
| 20  | 2  | 15679 | 8862  | 3749  | 22.5 | 30.5 | 6.1  | 162 |
| 40  | 4  | 24744 | 13986 | 5917  | 26.1 | 34.1 | 12.1 | 302 |
| 60  | 6  | 32314 | 18264 | 7727  | 32.1 | 40.1 | 21.7 | 431 |
| 80  | 8  | 39051 | 22072 | 9338  | 40.1 | 48.1 | 37.0 | 570 |
| 100 | 10 | 45229 | 25564 | 10816 | 45.1 | 53.1 | 53.8 | 649 |

\* Values measured in accordance with EN 16430

\*\* Sound power level measured in accordance with ISO 3741:2010

\*\*\* Sound pressure level with a room attenuation 8 dB(A)

### Jaga Clima Canal cooling

2 - pipe

| Speed level | Control voltage | 45/55/80°F                |                        | 60/65/80°F                |                        | Sound pressure level<br>*** | Sound power level<br>** | Electrical power | Air flow |
|-------------|-----------------|---------------------------|------------------------|---------------------------|------------------------|-----------------------------|-------------------------|------------------|----------|
|             |                 | * Sensible cooling output | * Total cooling output | * Sensible cooling output | * Total cooling output |                             |                         |                  |          |
| %           | [V]             | [Btu/h]                   | [Btu/h]                | [Btu/h]                   | [Btu/h]                | Lp [dbA]                    | Lw [dbA]                | [W]              | (CFM)    |

#### L 105

|     |    |      |      |      |      |      |      |      |     |
|-----|----|------|------|------|------|------|------|------|-----|
| 20  | 2  | 876  | 1316 | 546  | 546  | 17.0 | 25.0 | 1.5  | 57  |
| 40  | 4  | 1712 | 2540 | 1067 | 1067 | 21.0 | 29.0 | 2.7  | 98  |
| 60  | 6  | 2539 | 3722 | 1579 | 1579 | 27.0 | 35.0 | 4.8  | 139 |
| 80  | 8  | 3376 | 4887 | 2084 | 2084 | 35.0 | 43.0 | 9.3  | 182 |
| 100 | 10 | 4222 | 6040 | 2584 | 2584 | 40.0 | 48.0 | 15.0 | 207 |

#### L120

|     |    |      |      |      |      |      |      |      |     |
|-----|----|------|------|------|------|------|------|------|-----|
| 20  | 2  | 1089 | 1635 | 679  | 679  | 19.0 | 27.0 | 3.2  | 48  |
| 40  | 4  | 2128 | 3157 | 1326 | 1326 | 22.0 | 30.0 | 6.7  | 105 |
| 60  | 6  | 3155 | 4624 | 1962 | 1962 | 28.0 | 36.0 | 12.1 | 153 |
| 80  | 8  | 4194 | 6073 | 2589 | 2589 | 36.0 | 44.0 | 18.4 | 207 |
| 100 | 10 | 5247 | 7506 | 3211 | 3211 | 41.0 | 49.0 | 24.0 | 236 |

#### L200

|     |    |       |       |      |      |      |      |      |     |
|-----|----|-------|-------|------|------|------|------|------|-----|
| 20  | 2  | 2125  | 3193  | 1325 | 1325 | 21.1 | 29.1 | 4.6  | 105 |
| 40  | 4  | 4154  | 6163  | 2589 | 2589 | 24.6 | 32.6 | 9.4  | 204 |
| 60  | 6  | 6161  | 9029  | 3830 | 3830 | 30.5 | 38.5 | 16.9 | 292 |
| 80  | 8  | 8189  | 11856 | 5055 | 5055 | 38.5 | 46.5 | 27.7 | 388 |
| 100 | 10 | 10243 | 14654 | 6269 | 6269 | 43.5 | 51.5 | 38.9 | 443 |

#### L280

|     |    |       |       |      |      |      |      |      |     |
|-----|----|-------|-------|------|------|------|------|------|-----|
| 20  | 2  | 3162  | 4750  | 1971 | 1971 | 22.5 | 30.5 | 6.1  | 162 |
| 40  | 4  | 6181  | 9170  | 3851 | 3851 | 26.1 | 34.1 | 12.1 | 302 |
| 60  | 6  | 9166  | 13433 | 5698 | 5698 | 32.1 | 40.1 | 21.7 | 431 |
| 80  | 8  | 12184 | 17640 | 7521 | 7521 | 40.1 | 48.1 | 37.0 | 570 |
| 100 | 10 | 15240 | 21802 | 9327 | 9327 | 45.1 | 53.1 | 53.8 | 649 |

\* Values measured in accordance with EN 16430

\*\* Sound power level measured in accordance with ISO 3741:2010

\*\*\* Sound pressure level with a room attenuation 8 dB(A)

### Jaga Clima Quatro Canal heating

### 4 - pipe

| Speed level | Control voltage | 170/150/68°F     | 130/110/68°F     | 95/85/68°F       | Sound pressure level<br>*** | Sound power level ** | Electrical power | Air flow |
|-------------|-----------------|------------------|------------------|------------------|-----------------------------|----------------------|------------------|----------|
|             |                 | Heating output * | Heating output * | Heating output * |                             |                      |                  |          |
| %           | [V]             | [Btu/h]          | [Btu/h]          | [Btu/h]          | Lp [dB(A)]                  | Lw [dB(A)]           | [W]              | (CFM)    |

#### L 105

|     |    |      |      |      |      |      |      |     |
|-----|----|------|------|------|------|------|------|-----|
| 20  | 2  | 2896 | 1637 | 693  | 17.0 | 25.0 | 1.5  | 57  |
| 40  | 4  | 4570 | 2583 | 1093 | 21.0 | 29.0 | 2.7  | 98  |
| 60  | 6  | 5968 | 3373 | 1427 | 27.0 | 35.0 | 4.8  | 139 |
| 80  | 8  | 7213 | 4077 | 1725 | 35.0 | 43.0 | 9.3  | 182 |
| 100 | 10 | 8354 | 4722 | 1998 | 40.0 | 48.0 | 15.0 | 207 |

#### L120

|     |    |       |      |      |      |      |      |     |
|-----|----|-------|------|------|------|------|------|-----|
| 20  | 2  | 3599  | 2034 | 861  | 19.0 | 27.0 | 3.2  | 48  |
| 40  | 4  | 5679  | 3210 | 1358 | 22.0 | 30.0 | 6.7  | 105 |
| 60  | 6  | 7416  | 4192 | 1773 | 28.0 | 36.0 | 12.1 | 153 |
| 80  | 8  | 8962  | 5066 | 2143 | 36.0 | 44.0 | 18.4 | 207 |
| 100 | 10 | 10380 | 5867 | 2482 | 41.0 | 49.0 | 24.0 | 236 |

#### L200

|     |    |       |       |      |      |      |      |     |
|-----|----|-------|-------|------|------|------|------|-----|
| 20  | 2  | 7026  | 3971  | 1680 | 21.1 | 29.1 | 4.6  | 105 |
| 40  | 4  | 11088 | 6267  | 2651 | 24.6 | 32.6 | 9.4  | 204 |
| 60  | 6  | 14479 | 8184  | 3462 | 30.5 | 38.5 | 16.9 | 292 |
| 80  | 8  | 17498 | 9890  | 4184 | 38.5 | 46.5 | 27.7 | 388 |
| 100 | 10 | 20267 | 11455 | 4846 | 43.5 | 51.5 | 38.9 | 443 |

#### L280

|     |    |       |       |      |      |      |      |     |
|-----|----|-------|-------|------|------|------|------|-----|
| 20  | 2  | 10453 | 5908  | 2500 | 22.5 | 30.5 | 6.1  | 162 |
| 40  | 4  | 16496 | 9324  | 3945 | 26.1 | 34.1 | 12.1 | 302 |
| 60  | 6  | 21543 | 12176 | 5151 | 32.1 | 40.1 | 21.7 | 431 |
| 80  | 8  | 26034 | 14715 | 6225 | 40.1 | 48.1 | 37.0 | 570 |
| 100 | 10 | 30153 | 17043 | 7210 | 45.1 | 53.1 | 53.8 | 649 |

\* Values measured in accordance with EN 16430

\*\* Sound power level measured in accordance with ISO 3741:2010

\*\*\* Sound pressure level with a room attenuation 8 dB(A)

## Jaga Clima Quatro Canal cooling

4 - pipe

| Speed level | Control voltage | 45/55/80°F                |                        | 60/65/80°F                |                        | Sound pressure level<br>*** | Sound power level ** | Electrical power | Air flow |
|-------------|-----------------|---------------------------|------------------------|---------------------------|------------------------|-----------------------------|----------------------|------------------|----------|
|             |                 | * Sensible cooling output | * Total cooling output | * Sensible cooling output | * Total cooling output |                             |                      |                  |          |
| %           | [V]             | [Btu/h]                   | [Btu/h]                | [Btu/h]                   | [Btu/h]                | Lp [dB(A)]                  | Lw [dB(A)]           | [W]              | (CFM)    |

### L 105

|     |    |      |      |      |      |      |      |      |     |
|-----|----|------|------|------|------|------|------|------|-----|
| 20  | 2  | 796  | 1196 | 496  | 496  | 17.0 | 25.0 | 1.5  | 57  |
| 40  | 4  | 1557 | 2309 | 970  | 970  | 21.0 | 29.0 | 2.7  | 98  |
| 60  | 6  | 2309 | 3383 | 1435 | 1435 | 27.0 | 35.0 | 4.8  | 139 |
| 80  | 8  | 3069 | 4443 | 1894 | 1894 | 35.0 | 43.0 | 9.3  | 182 |
| 100 | 10 | 3838 | 5491 | 2349 | 2349 | 40.0 | 48.0 | 15.0 | 207 |

### L120

|     |    |      |      |      |      |      |      |      |     |
|-----|----|------|------|------|------|------|------|------|-----|
| 20  | 2  | 990  | 1487 | 617  | 617  | 19.0 | 27.0 | 3.2  | 48  |
| 40  | 4  | 1934 | 2870 | 1205 | 1205 | 22.0 | 30.0 | 6.7  | 105 |
| 60  | 6  | 2869 | 4204 | 1783 | 1783 | 28.0 | 36.0 | 12.1 | 153 |
| 80  | 8  | 3813 | 5521 | 2354 | 2354 | 36.0 | 44.0 | 18.4 | 207 |
| 100 | 10 | 4770 | 6823 | 2919 | 2919 | 41.0 | 49.0 | 24.0 | 236 |

### L200

|     |    |      |       |      |      |      |      |      |     |
|-----|----|------|-------|------|------|------|------|------|-----|
| 20  | 2  | 1932 | 2902  | 1205 | 1205 | 21.1 | 29.1 | 4.6  | 105 |
| 40  | 4  | 3776 | 5603  | 2353 | 2353 | 24.6 | 32.6 | 9.4  | 204 |
| 60  | 6  | 5601 | 8208  | 3482 | 3482 | 30.5 | 38.5 | 16.9 | 292 |
| 80  | 8  | 7445 | 10779 | 4596 | 4596 | 38.5 | 46.5 | 27.7 | 388 |
| 100 | 10 | 9312 | 13322 | 5699 | 5699 | 43.5 | 51.5 | 38.9 | 443 |

### L280

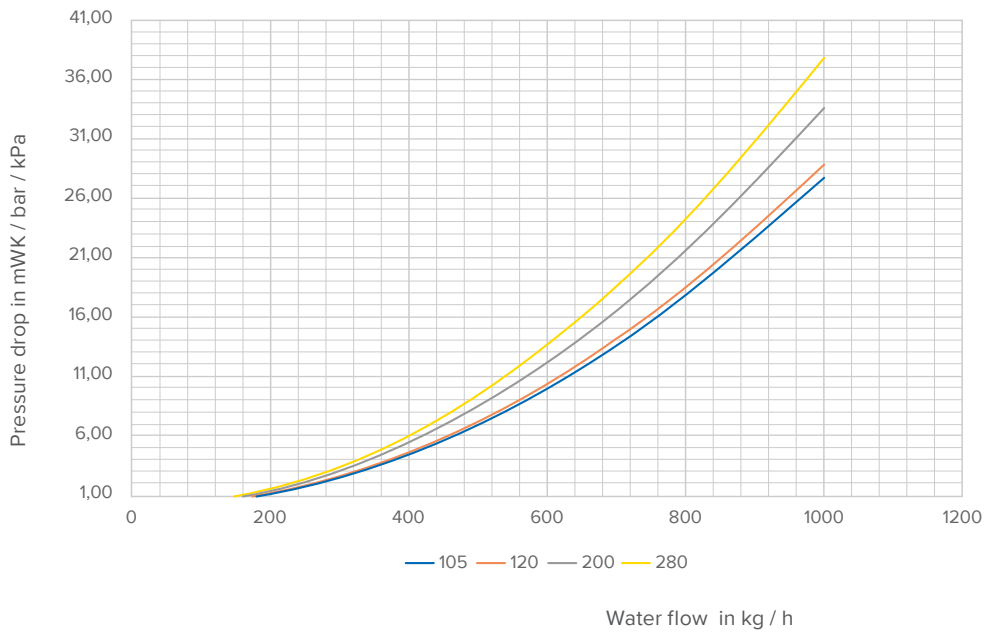
|     |    |       |       |      |      |      |      |      |     |
|-----|----|-------|-------|------|------|------|------|------|-----|
| 20  | 2  | 2874  | 4318  | 1792 | 1792 | 22.5 | 30.5 | 6.1  | 162 |
| 40  | 4  | 5619  | 8336  | 3501 | 3501 | 26.1 | 34.1 | 12.1 | 302 |
| 60  | 6  | 8333  | 12212 | 5180 | 5180 | 32.1 | 40.1 | 21.7 | 431 |
| 80  | 8  | 11076 | 16036 | 6837 | 6837 | 40.1 | 48.1 | 37.0 | 570 |
| 100 | 10 | 13855 | 19820 | 8479 | 8479 | 45.1 | 53.1 | 53.8 | 649 |

\* Values measured in accordance with EN 16430

\*\* Sound power level measured in accordance with ISO 3741:2010

\*\*\* Sound pressure level with a room attenuation 8 dB(A)

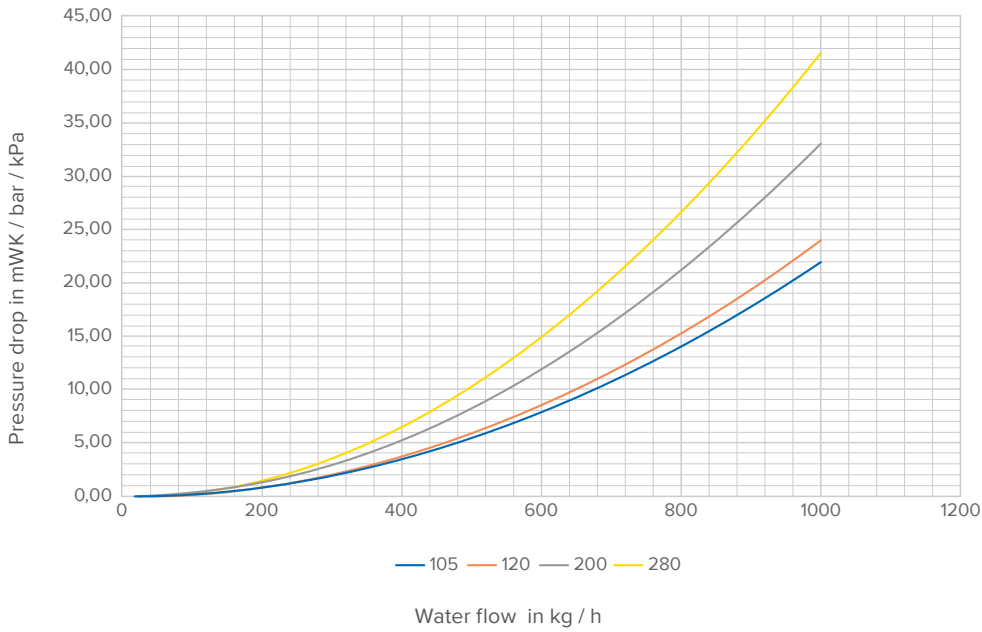
### Pressure drop 2-pipe



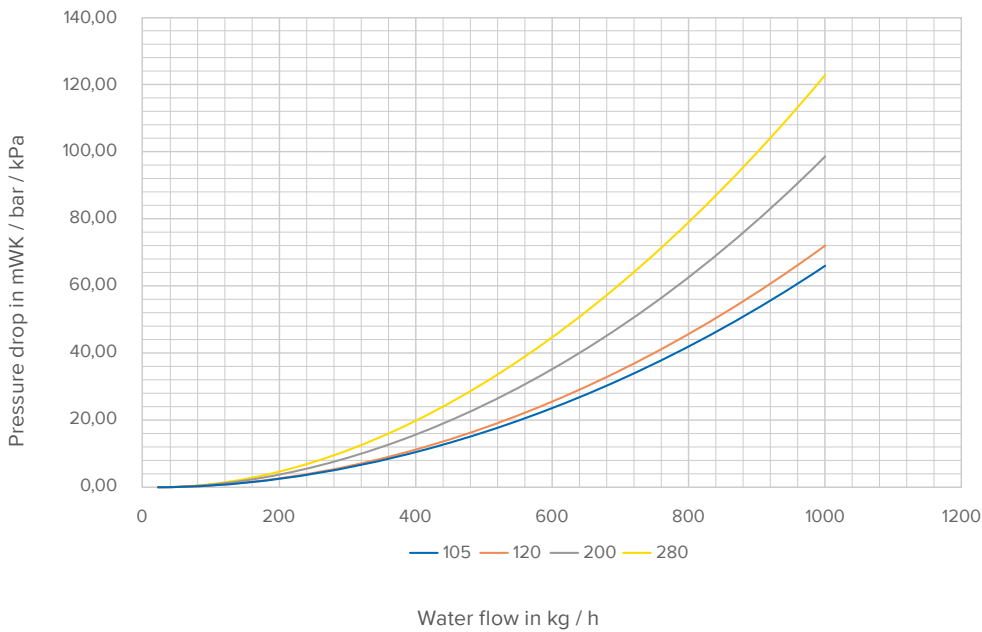
| Flow<br>GPM | Heating 4-pipe |        |        |        | Cooling 4-pipe |        |        |        | 2-pipe |        |        |        |
|-------------|----------------|--------|--------|--------|----------------|--------|--------|--------|--------|--------|--------|--------|
|             | L105           | L120   | L200   | L280   | L105           | L120   | L200   | L280   | L105   | L120   | L200   | L280   |
| 0.1833      | 0.0002         | 0.0002 | 0.0003 | 0.0004 | 0.0007         | 0.0007 | 0.0010 | 0.0012 | 0.0003 | 0.0003 | 0.0003 | 0.0004 |
| 0.3666      | 0.0009         | 0.0010 | 0.0013 | 0.0017 | 0.0026         | 0.0029 | 0.0040 | 0.0049 | 0.0011 | 0.0012 | 0.0014 | 0.0015 |
| 0.5499      | 0.0020         | 0.0022 | 0.0030 | 0.0037 | 0.0060         | 0.0065 | 0.0089 | 0.0111 | 0.0025 | 0.0026 | 0.0031 | 0.0034 |
| 0.9165      | 0.0055         | 0.0060 | 0.0083 | 0.0104 | 0.0166         | 0.0180 | 0.0247 | 0.0309 | 0.0069 | 0.0072 | 0.0084 | 0.0095 |
| 1.2831      | 0.0108         | 0.0118 | 0.0163 | 0.0204 | 0.0325         | 0.0353 | 0.0485 | 0.0605 | 0.0136 | 0.0142 | 0.0165 | 0.0186 |
| 1.8331      | 0.0221         | 0.0240 | 0.0332 | 0.0417 | 0.0663         | 0.0720 | 0.0989 | 0.1235 | 0.0278 | 0.0289 | 0.0338 | 0.0379 |
| 2.3830      | 0.0374         | 0.0407 | 0.0560 | 0.0704 | 0.1121         | 0.1217 | 0.1671 | 0.2087 | 0.0471 | 0.0488 | 0.0570 | 0.0642 |
| 2.9329      | 0.0566         | 0.0616 | 0.0849 | 0.1067 | 0.1697         | 0.1844 | 0.2532 | 0.3161 | 0.0713 | 0.0740 | 0.0864 | 0.0972 |
| 3.6661      | 0.0885         | 0.0963 | 0.1326 | 0.1667 | 0.2653         | 0.2880 | 0.3956 | 0.4939 | 0.1113 | 0.1155 | 0.1350 | 0.1518 |



### Pressure drop 4-pipe heating



### Pressure drop 4-pipe cooling





JAGA CLIMA QUATRO CANAL H 19  
JAGA CLIMA CANAL H 19

Hydraulics

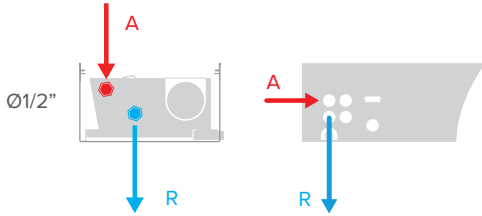
20 connecting the hydraulics

Electra

21 electrical connection

### Hydraulic connection (standard)

#### The 2-pipe's hydraulic connectionsS

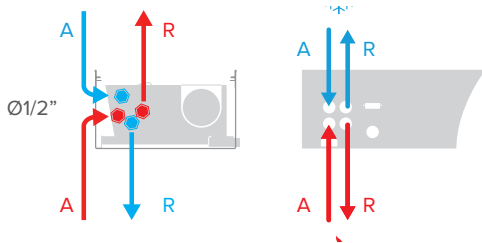


IMPORTANT! Connecting the hydraulics correctly is of the utmost importance and must be left to qualified personnel.

Connecting the hydraulics:

- make sure that the connections are airtight
- the coil is fitted with an air vent
- hydraulic connection: 1/2 "

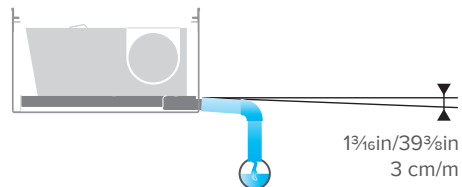
#### The 4-pipe's hydraulic connectionsS



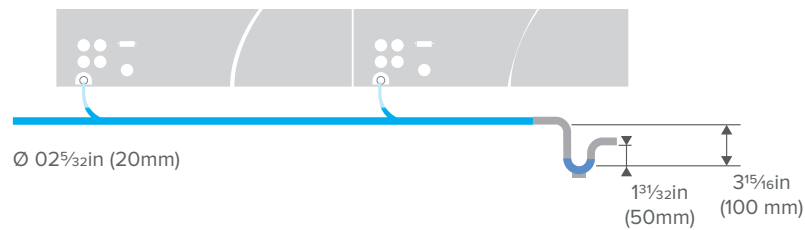
A = supply  
R = return

### Connecting the condensate drain (Ø20mm)

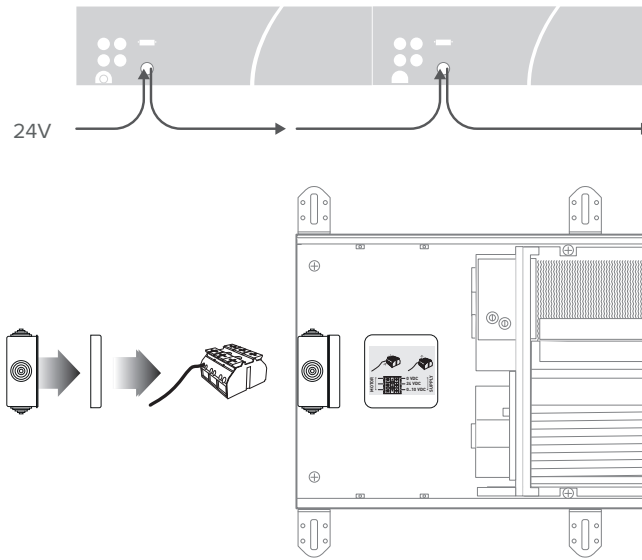
When connecting the condensate drain pipes to the device, the pipe system needs to be sufficiently supported in order to prevent stress on the device's condensate drain pan.



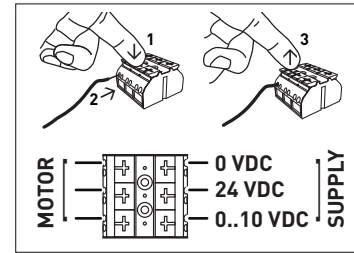
The condensate drain must be fitted with a P-trap. Make sure the drain pipe is properly sloped .



#### Electrical connection (24VDC)



**IMPORTANT!** The unit's electrical connection must be done by professionals and in compliance with the norms that apply in the country of installation. Connecting the unit incorrectly will release Jaga NV from any liability for material damages or personal injury.





JAGA CLIMA QUATRO CANAL H 19  
JAGA CLIMA CANAL H 19





## Options:

|    |  |
|----|--|
| 24 | power supplies                         |
| 25 | vent connection adapter                |
| 26 | JDPC controller                        |
| 27 | empty trenches                         |
| 28 | 90° corner piece                       |
| 29 | adjustable brackets with slotted holes |
| 30 | raised floor pedestals                 |
| 31 |  |
| 32 | specifications                         |
| 33 | specials                               |
| 34 | spare parts                            |

### Power supplies

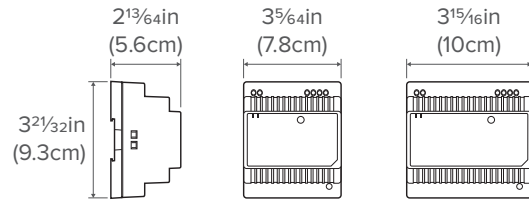
#### Central 24 VDC power supply



DIN-rail mounted or wall mounted

- UL1310 Class 2
- Convection cooling

Required power = sum of the device's power consumption + 10%



| Technical data      | Code | 7990.050   | 7990.051 | 7990.052 |
|---------------------|------|------------|----------|----------|
| Power               | Watt | 36         | 60       | 100      |
| Output voltage      | VDC  | 24-28      |          |          |
| Output current      | A    | 1,3        | 2,5      | 4,2      |
| Input voltage       | VAC  | 85-264     | 88-264   |          |
|                     | VDC  | 120-370    | 124-370  |          |
| Weight              | Gr   | 300        |          | 350      |
| Overload protection |      | 120 - 145% |          |          |
| LED Red             |      | DC ok      |          |          |

#### Watertight 24 VDC/30 power supply



Watertight 24 VDC/30 Watt power supply with watertight connector.

For built-in installation

- uniform UL60950 - EN 60950 / Class 2

Required power = sum of the device's power consumption + 10%

| Technical data | Code | 37603010002     |                 |
|----------------|------|-----------------|-----------------|
|                |      | for L 105 / 120 | for L 200 / 280 |
| Power          | Watt | 30              | 60              |
| Output voltage | VDC  | 24              | 24              |
| Output current | A    | 1,25            | 2.4             |
| Input voltage  | VAC  | 100-240         | 100-240         |

## Option: vent connection adapter

Jaga Clima Canal H19 / JAGA Clima Quatro Canal H19 can be connected to an existing ventilation channel. ± 50 m<sup>3</sup> / h is allowed.

### Metal ventilation adaptor

- Ø 8 / 10 / 12.5 cm



| Description   | Code   |  |
|---------------|--------|--|
| Metal adaptor | Ø 8    |  |
|               | Ø 10   |  |
|               | Ø 12.5 |  |

### Synthetic ventilation adaptor

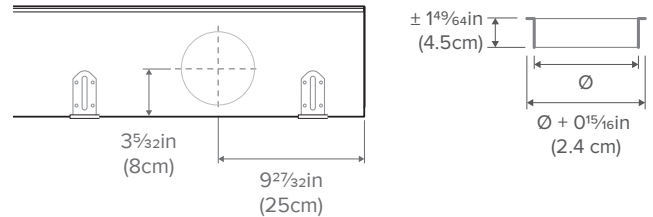
- 52 x 132



| Description       | Code     |  |
|-------------------|----------|--|
| Synthetic adaptor | 52 x 132 |  |

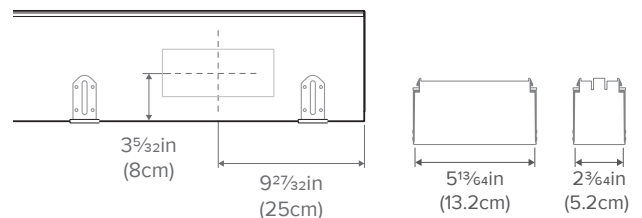
### Description:

- made from electrolytic galvanized steel
- DX51D Z275MAC-quality - according EN 10142/10143
- diameter: 8, 10, of 12.5 cm
- is assembled ex works



### Description:

- 52 x 132
- the adaptor is fitted with click connections and comes with 2 sealing rings.
- material: synthetic . color: blue
- assembled at the factory



### Focus points:

#### Sound absorption:

Sound is reflected by hard materials. Soft, porous materials are best suited for absorbing noises.

#### Contact sound insulation:

- sound travels very easily through hard metals.
- contact sound insulation mainly depends on the installation quality!

#### Contact points:

Make sure that sound and / or mechanical vibrations are not being transferred between different elements, i.e. between the built-in heating devices and a metal mounting frame, through pipes, air ducts, etc.

#### Hollow acoustic spaces:

If air can pass through, so can sound: Insulate around the built-in heating devices. Furthermore, prevent cavities between insulation and pipes, and alongside air ducts, as these cavities might act as small sound boxes.

### JDPC Jaga Dynamic Product Controller

Multifunctional controller with one or more built-in fans. The Jaga Dynamic Product Controller is delivered preset and fully integrated into the device.



- heat / cool / standby, with automatic changeover
- 1 fan speed for heating (starts at a water  $t^{\circ} > 28^{\circ}\text{C}$ , can be easily changed)
- 1 fan speed for cooling (starts at a water  $t^{\circ} < 18^{\circ}\text{C}$ , can be easily changed)
- Power supply voltage: 24VDC
- 0-10V input for building management systems / thermostats or with a 3-mode touch screen control panel.

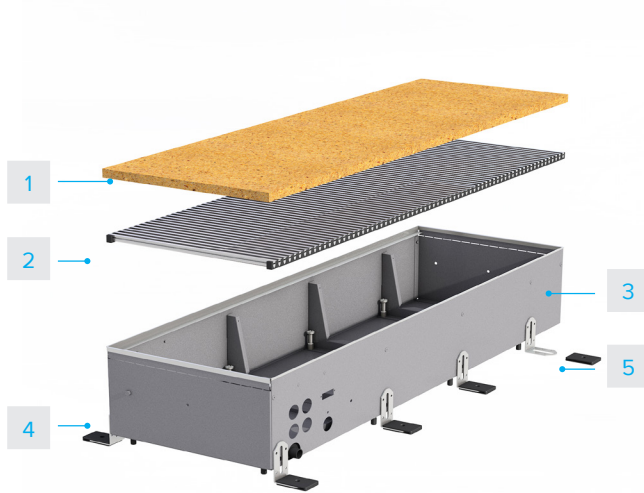
For advice: contact Jaga NV.. e-mail: [aftersales@jaga.be](mailto:aftersales@jaga.be) / tel. 0032 11-29 41 11

JDPC Jaga Dynamic Product Controller

Code

### Option: empty trenches

Empty Quatro Canal trench to fill up open spaces. Suitable for both continuous and wall-to-wall installation. The grilles are designed to form a perfect continuous installation. The same goes for the standard trench casing without fan unit, coil and connection block.



#### Description:

Open spaces between the different units or a unit and a wall can be filled with empty trenches.

- made from electrolytic galvanized steel
- the dimensions correspond with those of the basic devices.
- height adjustment for perfect alignment with the finished floor
- aluminum or wooden grille
- protective cover

#### Suitable for:

- curtain walls
- wall-to-wall installation etc.

#### Grille:

Aluminum grille, add to code: see page 8

Wooden grille, add to code: see page 9

#### 1 Protective cover :

Wooden panel, protects the device during and after installation

#### 2 Grille(s):

Grille panel

Specially designed for easy maintenance.

- anodizes aluminum profiles.
- optional: powder coated profiles , available in different colors
- grille holders: EPDM rubber hardness 85.

#### 3 Trench:

Made from electrolytic galvanized steel.

- with stainless steel grill holders
- with perforations

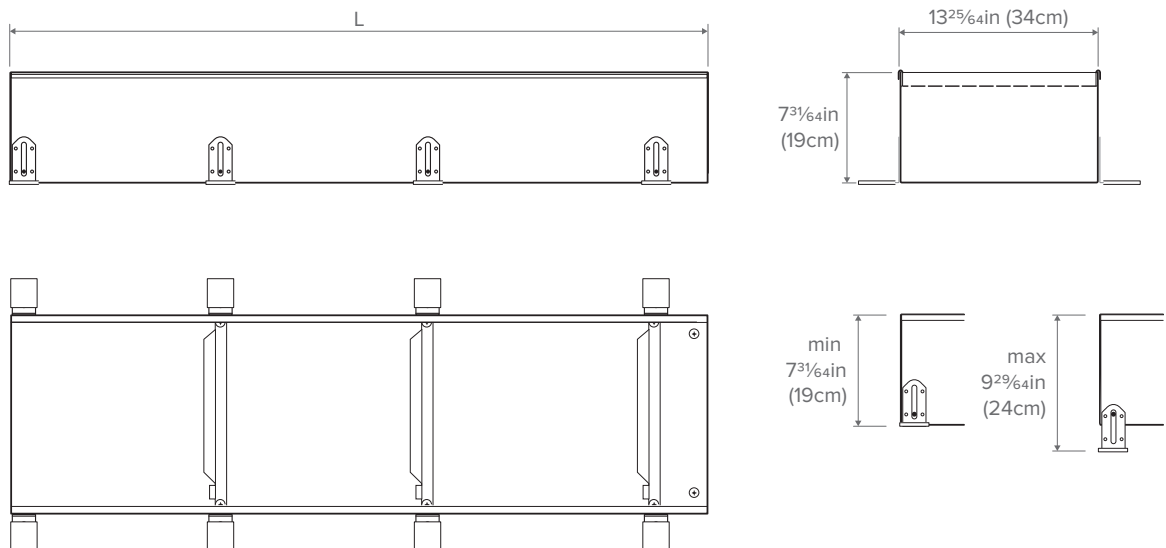
#### 4 End cap:

Made from electrolytic galvanized steel.

#### 5 External height adjustment:

L-profile with rubber acoustic insulation

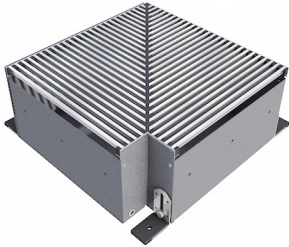
### Dimensions



| Product code: |     |     |     |     |
|---------------|-----|-----|-----|-----|
| L (cm)        | 105 | 120 | 200 | 280 |

### Option: 90° corner piece

Corner piece for perfectly finished corners with continuous installation. The grille is also designed to form a perfect continuous installation.



#### Description:

- one version for both inner and outer corners
- anodized or powder coated aluminum
- trench with stainless steel grille holders
- height adjustment for perfect alignment with the finished floor

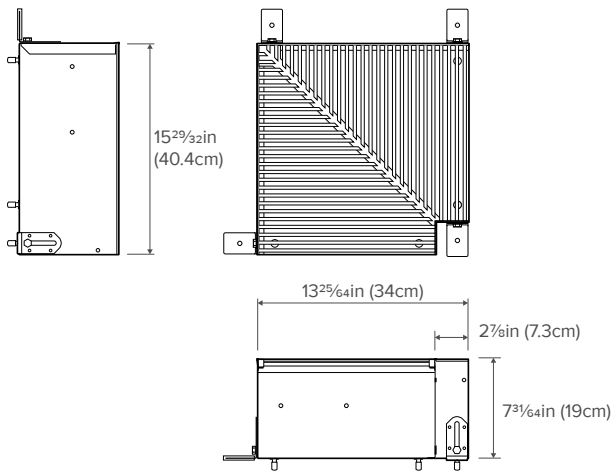
#### Suitable for:

- continuous installation

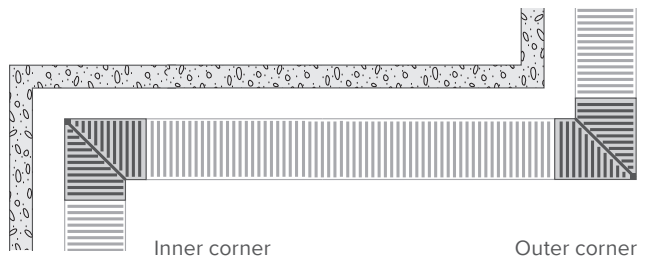
#### Grille:

Aluminum grille, add to code : see page 8

#### Dimensions:



#### Installation options:



#### Product code:

|        |    |      |
|--------|----|------|
| Height |    | 19   |
| Width  | cm | 40.4 |
| Depth  |    | 40.4 |



### Option: adjustable brackets with slotted hole

With slotted hole for height adjustment.



#### Description:

- adjustable 0 <> 13 cm
- made from electrolytic galvanized steel
- freely adjustable
- easily assembled
- one set contains 2 brackets, including acoustic insulation

#### Installation:

- If the device is not installed directly on the floor, the cavity underneath needs to be filled with a solid mass( concrete or screed).

#### Focus points:

##### Sound absorption:

Sound is reflected by hard materials. Soft porous materials are best suited for absorbing noises.

##### Contact sound insulation:

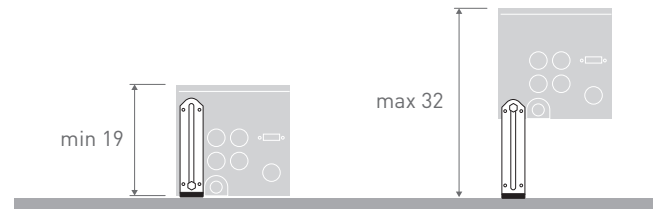
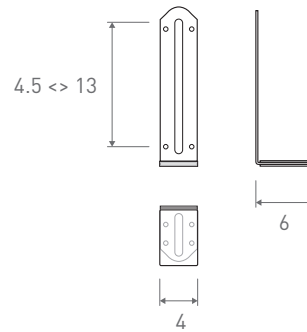
- sound travels very easily through hard materials.
- contact sound insulation mainly depends on the installation quality!

##### Contact points:

Make sure that sound and/or mechanical vibrations are not being transferred between different elements, i.e. between the built-in heating devices and a metal mounting frame, through pipes, air ducts etc.

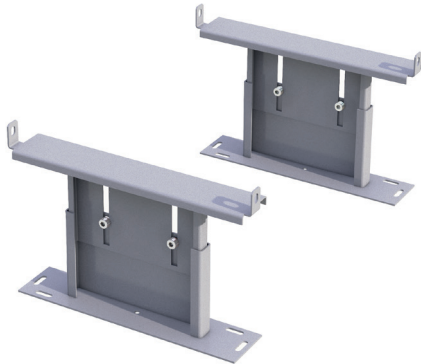
##### Hollow acoustic spaces:

If air can pass through, so can sound: Insulate around the built-in heating devices in order to prevent hollow acoustic spaces. Furthermore, prevent cavities between insulation and pipes, and alongside air ducts, as these cavities might act as sound boxes.



### Option: raised floor pedestals

Jaga's adjustable raised floor pedestals enable you to perfectly align the device with the finished floor.



#### Description:

- made from electrolytic galvanized steel
- adjustable in height
- powder coated, dark grey RAL 7024.
- 4 versions
- easily assembled
- one set consists of 2 pedestals

#### Installation:

- use the correct type of screws and plugs when securing the pedestals to the floor.
- if the device is not installed directly on the floor, the cavity underneath needs to be filled with a solid mass. (concrete or screed).

#### Versions:

|  |   |   |
|--|---|---|
| 1 <sup>31</sup> / <sub>32</sub> in (5cm) | > | 2 <sup>3</sup> / <sub>4</sub> in (7 cm)     |
| 3 <sup>5</sup> / <sub>32</sub> in (8 cm) | > | 5 <sup>1</sup> / <sub>8</sub> in (13 cm)    |
| 5 <sup>1</sup> / <sub>8</sub> in (13 cm) | > | 9 <sup>1</sup> / <sub>16</sub> in (23 cm)   |
| 7 <sup>7</sup> / <sub>8</sub> in (20 cm) | > | 11 <sup>13</sup> / <sub>16</sub> in (30 cm) |

#### Focus points:

Sound absorption:

Sound is reflected by hard materials. Soft, porous materials are best suited for absorbing noises.

Contact sound insulation:

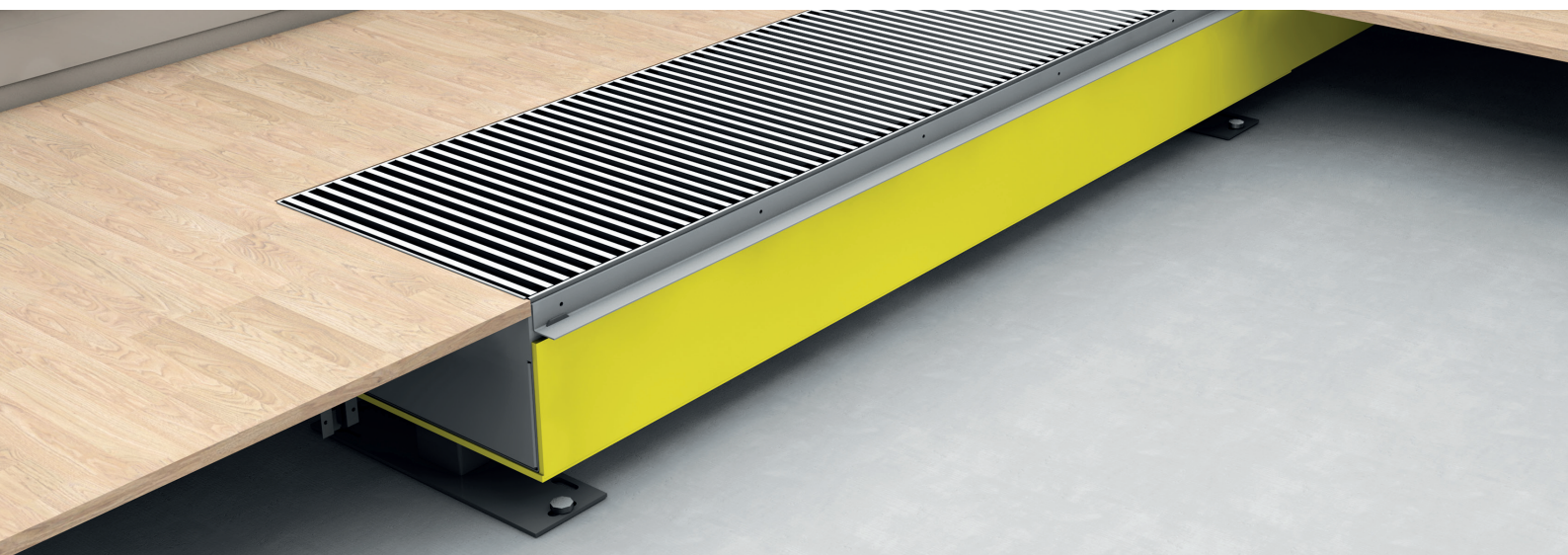
- sound travels very easily through hard metals.
- contact sound insulation mainly depends on the installation quality!

Contact points:

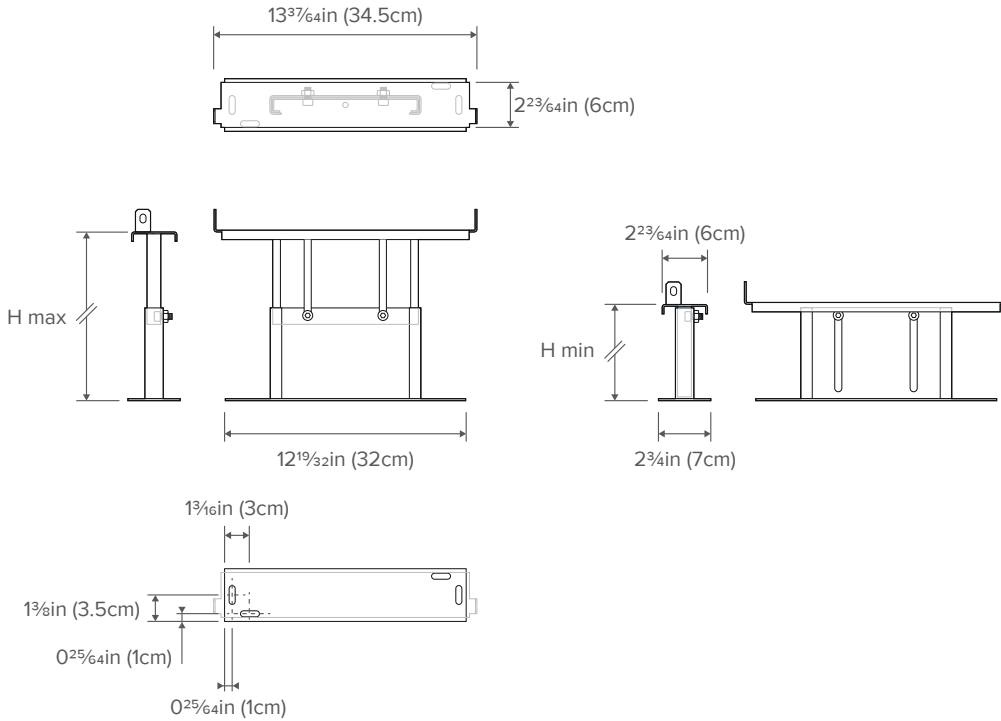
Make sure that sound and/or mechanical vibrations are not being transferred between different elements, i.e. between the built-in heating devices and a metal mounting frame, through pipes, air ducts, etc.

Hollow acoustic spaces:

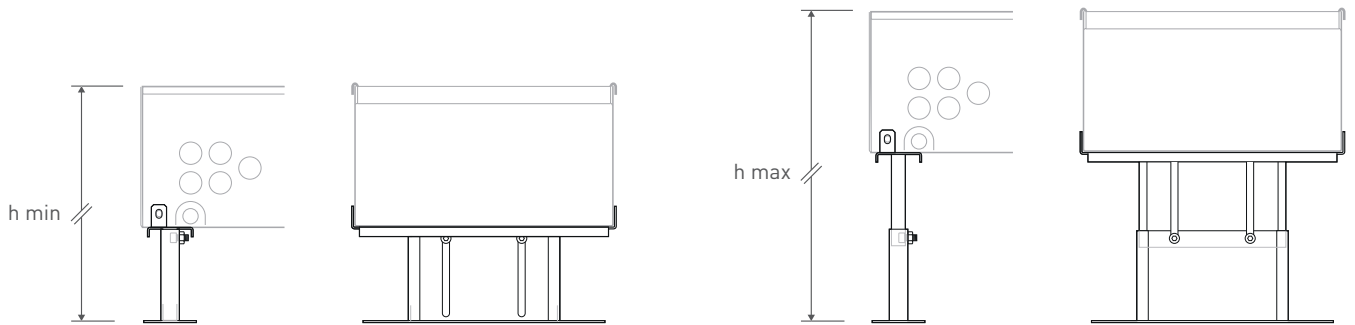
If air can pass through, so can sound: insulate around the built-in heating devices in order to prevent hollow acoustic spaces. Furthermore, prevent cavities between insulation and pipes, and also alongside air ducts, as these cavities might act as small sound boxes.



### Dimensions:



### Adjustable height



| Product-code:                                    | 5212.05070000                         | 5212.08130000                           | 5212.13230000                             | 5212.20300000                             |
|--|---------------------------------------|---|---|---|
| Number of sets per device                        | 2                                     | 2                                       | 2   | 3   |
| Pedestals per device                             | 4                                     | 4                                       | 4   | 6   |
| Min height > Max height                          | 1 3/32 in (5cm) > 2 3/4 in (7 cm)     | 3 5/32 in (8 cm) > 5 1/8 in (13 cm)     | 5 1/8 in (13 cm) > 9 1/16 in (23 cm)      | 7 7/8 in (20 cm) > 11 13/16 in (30 cm)    |
| Height including the device<br>h = min > h = max | 9 29/64 in (24 cm) > (10 15/64 in cm) | 10 5/8 in (27 cm) > 12 19/32 in (32 cm) | 12 19/32 in (32 cm) > 16 17/32 in (42 cm) | 15 23/64 in (39 cm) > 19 19/64 in (49 cm) |
| Width  | 13 47/64 in (34.9 cm)                 |   |   |   |
| Depth  | 2 3/4 in (7 cm)                       |   |   |   |

### Clima Canal Quatro H 19 2-pipe / Clima Canal H 19 4-pipe

Pre-assembled heating, cooling appliance for installation in the floor, consisting of:

#### Standaard levering bestaande uit:

- a  $2\frac{5}{64}$  in (1 mm) thick duct of Sendzimir galvanized steel plate and a telescopically adjustable height adjustment with stainless steel grille holder, coated with a charcoal grey scratch-proof epoxy polyester lacquer, RAL 7024, duct 10% gloss
- aluminium floor grille panels L 14  $1\frac{1}{64}$  ins (360 mm)
- wooden grille: beech or oak nature or varnished
- dynamic coil including air venting
- tangentiële ventilator(en)
- stainless steel flexible connections  $\frac{1}{2}$ ", length of 5  $2\frac{9}{32}$  in (15 cm) upto 9  $2\frac{7}{32}$  in (25 cm). For ease of cleaning and maintenance, the connecting flexibels must always be used .
- the shaft is equipped with 4 openings for the passage of the hydraulic lines and 1 opening for the electric cables. These openings - in the side - are sealed with black insulation tape.
- the shaft is also equipped with a condensate drain  $\varnothing$   $3\frac{1}{2}$  mm
- two head ends are supplied, equipped with a stainless steel grille support and aluminium rivets with countersunk heads for finishing the ends of the inner duct
- The appliance is equipped as standard for heating and for connection to traditional water heating systems, but can also be used for cooling with a chilled water supply
- a minimum recess depth of 76  $4\frac{9}{64}$  in (195 mm) below finished floor level is required. The appliance is equipped with a height adjustment from 0 to 17  $2\frac{3}{32}$  in (45 mm) and a fine height adjustment up to + 3  $5\frac{3}{32}$  in (8 mm) to perfectly align the appliance with the finished floor.

#### Aluminium grille:

- Aluminium floor grille panels L 14  $1\frac{1}{64}$  ins (360 mm) with EPDM holder 6  $\frac{1}{2}$  in (16.5 mm).
- Aluminium floor grille panels L 360 mm with EPDM holder 6  $\frac{1}{2}$  in (16.5 mm).
- profile: 2  $2\frac{3}{64}$  in (6 cm) x 5  $3\frac{3}{64}$  in (14 mm).
- spacing 15  $2\frac{3}{64}$  in (9 mm).
- material: anodized aluminium
- a natural finish ( anodized aluminium) or a UV-resistant polyester coating with a gloss level of  $\pm$  75%, (code 02), which are available in different colors ( see Jaga's color chart)

#### Roll-up wooden grille:

Wooden grille with aerodynamic transversal profiles, connected by a galvanized coil. The correct spacing is ensured by aluminum inserts.

- profile: 4  $2\frac{3}{32}$  in (12mm) x 5  $2\frac{9}{32}$  ins (15 mm).
- spacing 5  $\frac{1}{8}$  in (13 mm).
- Version: Natural beech or oak / Varnished beech or oak

#### Dynamic coil

- 4-pipe version (with separate circuits for heating and cooling)
- 2-pipe version (with one circuit for heating and cooling)
- Round, seamless circular pipes in pure copper, connected to pure aluminium panels with a mutual distance of 1.8 mm and an integrated brass collector, including air venting.
- the heat exchanger electrostatically lacquered with black epoxy-polyester, gloss degree 70%.
- element pressure test: 20 bar.
- operating pressure: max 10 bar.
- standard connection left.

#### Fan(s)

One or more tangential ventilators, 24 VDC, with Sendzimir galvanized steel plate cover and integrated stainless steel air filter.

Colour black, glossiness 70%.

#### Electric connection:

- Integrated electric connection box with manual tension spring system.
- Standard connection left.

#### Options:

- empty duct(s) with height adjustment, comprising a duct of  $2\frac{5}{64}$  in (1 mm) thick Sendzimir galvanized steel plate, coated with an charcoal-grey scratch-proof epoxy polyester lacquer, RAL 7024, 10% gloss, with stainless steel grille and protection panel
- connecting / finishing of corners 90 °Corner piece with height adjustment, comprising a duct of  $2\frac{5}{64}$  in (1 mm) Sendzimir galvanized steel plate, coated with an charcoal-grey scratchproof epoxy polyester lacquer, RAL 7024, 10% gloss. Not available with a wooden grille.
- feet with height adjustment for raised floors: telescopically adjustable feet for raised or hollow floors, lacquered in the colour black RAL 7024
- mechanical ventilation connections.

#### Adjustable heights:

- 1  $31\frac{32}$  in (5cm) > 2  $3\frac{4}$  in (7 cm)
- 3  $5\frac{32}$  in (8 cm) > 5  $1\frac{8}$  in (13 cm)
- 5  $1\frac{8}$  in (13 cm) > 9  $1\frac{16}$  in (23 cm)
- 7  $7\frac{8}$  in (20 cm) > 11  $13\frac{16}$  in (30 cm)

#### Number of sets per length of device:

- L 105 = 2 set
- L 120 = 2 set
- L 200 = 2 sets
- L 280 = 3 sets

#### Controller:

- JDPC Jaga Dynamic Product Controller

#### Power supplie:

- 25 W
- 54 W
- 72 W

Required power = sum of the device's power consumption +10%

#### Only possible with raised floors:

##### External hydraulic connections 2-pipe:

- 2 x pipe Connection Fittings Nipple
- 2 x Stainless steel flexible

##### External hydraulic connections 2-pipe with external electrical box:

- 2 x pipe Connection Fittings Nipple
- 2 x Stainless steel flexible
- junction box

##### External hydraulic connections 4-pipe:

- 4 x pipe Connection Fittings Nipple
- 4 x Stainless steel flexible

##### External hydraulic connections 2-pipe with external electrical box:

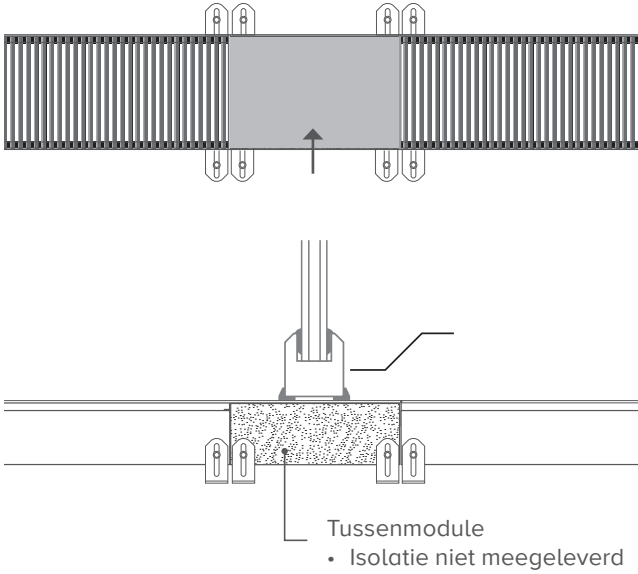
- 4 x pipe Connection Fittings Nipple
- 4 x Stainless steel flexible
- junction box

#### Manufacturer Jaga

Type: Clima Quatro Canal H19 (4-pipe) / Clima Canal H19 (2-pipe)

Empty trench with insulating filler piece for removable partition walls (example)

Casing with cover plate and insulating filler piece for a continuous installation of partition walls.



Description:

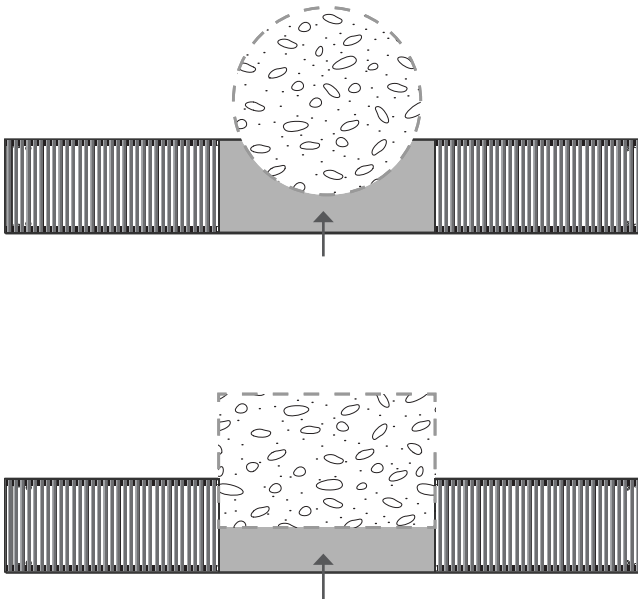
- made from galvanized steel
- continuous installation
- insulating filler piece
- adjustable in height for perfect alignment with the floor
- cover plate

Suitable for:

- curtain walls.
- removable partition wall

Insulation not included

Empty trench with cover plate and cut-out for columns or support beams (example)



Description:



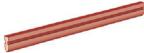
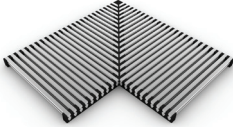
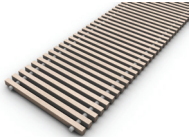
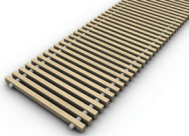



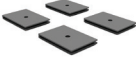

- made from galvanized steel
- continuous installation
- adjustable in height for perfect alignment with the floor
- cover plate

Suitable for::

- curtain walls with columns or support beams

### Spare parts

Important: Contact a qualified installation technician and consult the JAGA warranty conditions before replacing any parts

|   | Description                                     | L 105          | L 120 | L 200 | L 280 |
|---|---|----------------|-------|-------|-------|
| <b>Aluminum grille</b>  |   |                |       |       |       |
|    | EPDM grille holder 1 piece                      |                |       |       |       |
|    | Alu grille profile 1 piece                      |                |       |       |       |
|    | Alu roosterprofieltje gelakt<br>L 18 cm 1 piece |                |       |       |       |
| <b>ALU rooster 90° corner piece</b>   |   |                |       |       |       |
|    | Anodized aluminum                               |                |       |       |       |
|   | Anodized aluminum<br>Powder-coated              |                |       |       |       |
| <b>Wooden grille</b>  |   |                |       |       |       |
|   | Natural Beech                                   |                |       |       |       |
|   | Varnished Beech                                 |                |       |       |       |
|  | Natural Oak                                     |                |       |       |       |
|   | Varnished Oak                                   |                |       |       |       |
| <b>Coil</b>   |   |                |       |       |       |
|  | 4-pipe  |                |       |       |       |
|  | 2-pipe  |                |       |       |       |
| <b>Fan</b>  |   |                |       |       |       |
|  |   |                |       |       |       |
| <b>U-shaped rubber dampers</b>  |   |                |       |       |       |
|  |   | 22401.00040001 |       |       |       |
| <b>Rubber cap for height adjustment</b>   |   |                |       |       |       |
|  |   | 22165.00040004 |       |       |       |





CLIMATE  
DESIGNERS

# JAGA CLIMA QUATRO CANAL H 19

## JAGA CLIMA CANAL H 19

