

Jandy® Heat Pumps Model EE-Ti



WARNING

FOR YOUR SAFETY - This product must be installed by a licensed HVAC technician certified in heat pump repair and maintenance by the jurisdiction in which the product will be installed where such state or local requirements exist. The technician must possess and comply with all certifications and regulations regarding the purchasing, handling, transportation and reclamation of R410A refrigerant. In the event no such state or local requirement exists, the installer or maintainer must be a professional with sufficient experience in pool equipment installation and maintenance so that all of the instructions in this manual can be followed exactly. Before installing this product, read and follow all warning notices and instructions that accompany this product. Failure to follow warning notices and instructions may result in property damage, personal injury, or death. Improper installation and/or operation can create an electrical hazard which can cause serious injury, property damage, or death. Improper installation and/or operation will void the warranty.

Table of Contents

Section 1. General Information	3	4.5.2.2	Install the Remote TSTAT	17
1.1 Introduction	3	4.5.2.3	Configure the Control Panel	18
1.2 Consumer Information and Safety	3	4.5.3	Four-Wire Connection to AquaLink® RS 485 Communication	18
1.2.1 Spa/Hot Tub Safety Rules	3	4.5.4	Connection to a Secondary User Interface	19
1.2.2 Swimming Pool Energy Saving Tips	4			
1.3 Warranty	4			
1.4 Codes and Standards	4			
1.5 Technical Assistance	5			
1.6 Materials Needed For Installation	5			
1.6.1 Materials for All Installations	5			
1.6.2 Recommended Materials for Installations	5			
1.7 Specifications	5			
1.7.1 General Specifications	5			
1.7.2 Dimensions	5			
1.7.3 Technical Specifications	5			
Section 2. Installation Instructions	5			
2.1 General Information	5			
2.2 Location Requirements	5			
2.2.1 Introduction	5			
2.2.2 Clearances	7			
2.2.3 Equipment Pad	8			
2.2.4 Condensation and Drainage	8			
2.2.5 Lawn Sprinklers	8			
2.2.6 Roof Run-off	8			
2.2.7 Installation of Anchor Clamps	8			
Section 3. Water Connections	9			
3.1 Plumbing Layout	9			
3.2 Water Connections at Heat Pump	9			
3.3 Check Valve Installation	9			
3.4 Automatic Flow Control Valve	10			
3.5 Multiple Unit Installation	10			
3.5.1 Heat Pump and Heater Combination	10			
3.5.2 Multiple Heat Pump Connections	10			
Section 4. Electrical Connections	10			
4.1 General Information	10			
4.2 Main Power	16			
4.3 Bonding	16			
4.4 Pump Connection (Maintain Temp Feature)	16			
4.5 Optional Remote Controls	17			
4.5.1 Connection to a Remote Pool-Off-Spa Selector (3-Wire Connection)	17			
4.5.1.1 Install the Remote Pool-Off-Spa Selector	17			
4.5.1.2 Configure the Control Panel	17			
4.5.2 Two-Wire Connection to an AquaLink® RS or TSTAT	17			
4.5.2.1 Configure the AquaLink RS Control System	17			
Section 5. Operation	19			
5.1 Initial Start-up Precautions	19			
5.2 Operating the Controller	19			
5.2.1 Off Mode	19			
5.2.2 Pool Mode - (Normal Heat)	19			
5.2.3 Pool Mode - (Optional Maintain Heat)	20			
5.2.4 Spa Mode - (Normal Heat)	20			
5.2.5 Spa Mode - (Optional Maintain Heat)	20			
5.3 Operating Features of Hybrid Units with Optional Chiller	20			
5.3.1 Pool Mode - (Normal Chill)	20			
5.3.2 Pool Mode - (Optional Maintain Chill)	20			
5.3.3 Spa Mode - (Optional Maintain Chill)	21			
5.4 User Setup Options	21			
5.4.1 Language Setup	21			
5.4.2 Temperature Scale Setup	21			
5.4.3 Spa Timer Setup	21			
5.4.4 Display Light Setup	21			
5.5 Set Point Lockout	22			
5.6 Water Pressure Switch Adjustment	22			
Section 6. General Maintenance	23			
6.1 Water Chemistry	23			
6.2 Winterizing	23			
6.3 Spring Start-Up	24			
6.4 Inspection and Service	24			
6.4.1 Owner Inspection	24			
6.4.2 Professional Inspection	24			
Section 7. Professional Maintenance and Service	25			
7.1 Heat Pump Design	25			
7.2 Heat Pump Components and Operation	25			
Section 8. Troubleshooting	26			
8.1 Troubleshooting Guide	26			
8.2 Diagnostics	27			
Section 9. Replacement Parts	28			
9.1 Ordering Information	28			
9.2 Zodiac EE-Ti Heat Pumps Parts List	28			
9.3 Zodiac EE-Ti Heat Pumps Exploded View	29			

Figures and Tables

Figure 1.	Zodiac EE-Ti Heat Pumps Dimensions.....	7	Table 1.	EE-Ti Heat Pump Technical Specifications.....	6
Figure 2.	Anchor Clamp Positions.....	9	Table 2.	Heat Pump Clearances.....	7
Figure 3.	Anchor Clamp Installation.....	9	Table 3.	Optimal Water Chemistry Ranges.....	23
Figure 4.	Standard Plumbing Layout.....	11	Table 4.	Heat Pump Troubleshooting Guide.....	26
Figure 5.	Plumbing For Heating System Combinations.....	11	Table 5.	Heat Pump Diagnostics.....	27
Figure 6.	Two (2) Heat Pump Plumbing Layout.....	12			
Figure 7.	Four (4) Heat Pump Plumbing Layout.....	12			
Figure 8.	EE-Ti Single-Phase Electrical Supply Wiring Diagram.....	13			
Figure 9.	EE-Ti 3-Phase Electrical Supply Wiring Diagram.....	14			
Figure 10.	Example of "MAINTAIN TEMP" Wiring to the Time Clock.....	15			
Figure 11.	EE-Ti Heat Pump Front View.....	15			
Figure 12a.	Remote Pool-Off-Spa Connection (3-Wire Connection).....	16			
Figure 12b.	AquaLink RS or Remote TSTAT Connection (2-Wire Connection).....	16			
Figure 13.	AquaLink RS to EE-Ti Heat Pump.....	17			
Figure 14.	EE-Ti Heat Pump Connection to Power Center.....	18			
Figure 15.	Main Control Panel.....	20			
Figure 16.	Winterizing the EE-Ti Heat Pump.....	23			
Figure 17.	Heat Pump Operation Overview.....	25			
Figure 18.	Zodiac EE-Ti Heat Pumps Exploded View (EE2000 Shown).....	29			

Section 1. General Information

1.1 Introduction

This manual provides installation and operation instructions for the Zodiac EE-Ti models of heat pumps. Read these installation and operation instructions completely before proceeding with the installation. Consult Zodiac Pool Systems, Inc. (“Zodiac”) with any questions regarding this equipment. To obtain additional copies of this manual contact us at 800-822-7933. The following is the address for information:

Zodiac Pool Systems, Inc.
2620 Commerce Way
Vista, CA 92081 USA

The EE-Ti heat pump gets electrical power from an external source and provides a dual digital thermostat control system for pool/spa combinations or preheat convenience.

This heat pump is specifically designed for heating fresh water swimming pools and spas. Do not use it as a general service heater. Consult your dealer for the appropriate Zodiac products for these applications.

NOTE “Fresh water swimming pools and spas” include systems that utilize saltwater chlorine generator units, such as the Zodiac AquaPure® Electronic Chlorine Generator. Please ensure that the salt content of the pool/spa *does not exceed* 4500 ppm and water flow rate is within 30-125 gpm (110-475 lpm).

ATTENTION

Installation and service must be performed by a qualified installer or service agency.

To the Installer:




After installation, these instructions must be given to the homeowner or left on or near the heat pump.

To the User:

This manual contains important information that will help you in operating and maintaining this heat pump. Please retain it for future reference.

1.2 Consumer Information and Safety

The EE-Ti series of heat pumps are designed and manufactured to provide many years of safe and reliable service when installed, operated and maintained according to the information in this manual and the installation codes referred to in later sections. Throughout the manual, safety warnings and cautions are identified by the “” symbol. Be sure to read and comply with all of the warnings and cautions.

1.2.1 Spa/Hot Tub Safety Rules

WARNING

The U.S. Consumer Product Safety Commission warns that elevated water temperature can be hazardous. Consult heater operation and installation instructions for water temperature guidelines before setting temperature.

AVERTISSEMENT

La Commission U.S. de Sécurité des Produits pour les Consommateurs indique que des températures de l'eau élevées peuvent être dangereuses. Voir la notice d'installation et de fonctionnement pour le réglage de la température.

AVISO

La Comisión de Seguridad de Productos para el Consumidor de los Estados Unidos, advierte que una temperatura elevada del agua puede ser peligrosa. Consulte las instrucciones de instalación y funcionamiento del calentador para seguir las directrices relacionadas con la temperatura del agua antes de proceder a fijar la temperatura.

WARNING

The following “Safety Rules for Hot Tubs,” recommended by the U.S. Consumer Product Safety Commission, should be observed when using the spa.

AVERTISSEMENT

Les Règlements suivants pour Cuves Thermales, tel que recommandés par la Commission U.S. de Sécurité des Produits pour les Consommateurs, devraient être respectés lors de l'utilisation du spa.

AVISO

Al utilizar el spa, deberán observarse, las siguientes “Reglas de Seguridad para Baños Calientes” recomendadas por la Comisión de Seguridad de Productos para el Consumidor de los Estados Unidos.

1. Spa or hot tub water temperature should never exceed 104°F (40°C). One hundred degrees Fahrenheit (100°F [38°C]) is considered safe for a healthy adult. Special caution is recommended for young children.
2. The drinking of alcoholic beverages before or during spa or hot tub use can cause drowsiness which could lead to unconsciousness, and subsequently result in drowning.

3. **Pregnant women take note!** Soaking in water above 102°F (38.5°C) can cause fetal damage during the first three (3) months of pregnancy (which could result in the birth of a brain-damaged or deformed child). If pregnant women are going to use a spa or hot tub, they should make sure the water temperature is below 100°F (38°C) maximum.
4. The water temperature should always be checked with an accurate thermometer before entering a spa or hot tub. Temperature controls may vary by as much as 1F° (1°C).
5. Persons with a medical history of heart disease, diabetes, circulatory or blood pressure problems should consult their physician before using a hot tub or spa.
6. Persons taking any medication which induces drowsiness (e.g., tranquilizers, antihistamines, or anticoagulants) should not use spas or hot tubs.
7. Prolonged immersion in hot water can induce hyperthermia.

Hyperthermia occurs when the internal body temperature reaches a level several degrees above the normal body temperature of 98.6°F (37°C). Symptoms include dizziness, fainting, drowsiness, lethargy, and an increase in the internal body temperature. The effects of hyperthermia include:

- Lack of awareness of impending hazard
- Failure to perceive heat
- Failure to recognize need to leave spa
- Physical inability to leave spa
- Fetal damage in pregnant women
- Unconsciousness resulting in a danger of drowning

1.2.2 Swimming Pool Energy Saving Tips

It is important to note that a heat pump will not heat a pool as fast as a large gas or electric pool heater. If the pool water is allowed to cool significantly, it may take several days to return to the desired swimming temperature. For weekend use, it is *more economical* to maintain the pool water temperature at or near your desired swimming temperature. If you do *not* plan to use your pool for a prolonged period, then you might choose to turn the heat pump completely off *or* decrease the temperature setting of the control several degrees to minimize energy consumption.

Zodiac offers the following recommendations to help conserve energy and minimize the cost of operating your heat pump without sacrificing comfort.

1. The American Red Cross recommends a maximum water temperature of 78°F (25°C). Use an accurate pool thermometer. A difference of 4°F (2°C), between 78°F and 82°F (26°C and 28°C), will significantly increase energy consumption.
2. Carefully monitor the water temperature of your pool in the summertime. You can reduce heat pump usage due to warmer air temperatures.
3. During the winter or when on vacation for longer than a week, turn off the heat pump.
4. Find the proper setting on the heat pump temperature control and use the Set Point Lockout or lock the cover on the heat pump controller to discourage further adjustments.
5. Set the pump time clock to start the pump no earlier than 6:00 AM during the pool heating season. This is the time when nightly heat loss balances.
6. Where possible, shelter the pool from prevailing winds with well-trimmed hedges or other landscaping, cabanas, or fencing.
7. Always use a pool cover when practical. Besides providing a valuable safety feature, a pool cover will reduce heat loss, conserve chemicals, and reduce the load on filter systems.

1.3 Warranty

The EE-Ti heat pump is sold with a limited factory warranty. Details are specified on the back cover of this manual.

Make all warranty claims to your Zodiac dealer or directly to Zodiac. Claims must include the heat pump serial number and model (this information can be found on the rating plate), installation date, and name of the installer. Shipping costs are not included in the warranty coverage.

The warranty does not cover damage caused by improper assembly, installation, operation, winterizing, field modification, or failure to earth bond and properly ground the unit. Any changes to the heat pump, evaporator, heat exchanger, wiring, or improper installation may void the warranty.

1.4 Codes and Standards

The EE-Ti heat pump is listed by ETL as complying with the latest edition of the “UL Standard for Safety for Heating and Cooling Equipment”, UL 1995 and CSA C22.2 No. 236.

All Zodiac heat pumps must be installed in accordance with the local building and installation codes as per the utility or authority having jurisdiction. All local codes take precedence over national codes. In the absence of local codes, refer to the latest edition of the National Electrical Code® (NEC) in the United States and the Canadian Electrical Code® (CEC) in Canada for installation.

1.5 Technical Assistance

Consult the Zodiac technical support department or your local Zodiac dealer with any questions or problems involving the specifications, installation, and operation of your Zodiac equipment. An experienced technical support staff is ready to assist you in assuring the proper performance and application of Zodiac products. For technical support call the Zodiac technical support department at (800) 822-7933.

1.6 Materials Needed For Installation

1.6.1 Materials for All Installations

The following items are needed and are to be supplied by the installer for *all* heat pump installations:

1. Plumbing connections (2").
2. Level surface for proper drainage.
3. Suitable electrical supply line. See rating plate on unit for electrical specifications. A junction box is not needed at the heat pump; connections are made inside of the heat pump electrical compartment. Conduit may be attached directly to the heat pump jacket.

- NOTE** Flex conduit is recommended for connecting the electrical supply wires to the heat pump so that the front panel may be removed easily for servicing.
4. Electric cutout switch that will interrupt all power to the unit. This switch *must* be within line of sight of the heat pump.
 5. Watertight conduit to run the electrical supply line.

1.6.2 Recommended Materials for Installations

Zodiac recommends installing isolation valves on the inlet and outlet water connections for ease of serviceability.

1.7 Specifications

1.7.1 General Specifications

Suitable for indoor and outdoor use. Clearances shown in Table 2 must be adhered to.

Water Pipe/Heater Connection

Plastic 2" PVC (Unions included)

Flow Rate

Maximum	125 gpm (475 lpm)
Optimum	60 gpm (230 lpm)
Minimum	30 gpm (114 lpm)

Note: If a flow switch is installed (R0509700), do not exceed 92.5 gpm (350 lpm). Exceeding the maximum flow rate can damage the flow switch.

Maximum Working Water Pressure

75 psi

Electrical Supply

Voltage Requirements

1-Phase	230 VAC 60Hz
3-Phase	230 VAC 60Hz (Model dependent)

Maximum Working Refrigerant Pressure

650 PSI

1.7.2 Dimensions

See Figure 1 for heat pump's dimensions and for dimensions to critical connections.

1.7.3 Technical Specifications

See Table 1 for the EE-Ti Heat Pump Technical specifications.

Section 2. Installation Instructions

2.1 General Information

Install the Zodiac heat pumps in accordance with the procedures in this manual, local codes and ordinances, and in accordance with the latest edition of the appropriate national code. (See Section 1.4, "Codes and Standards".) Correct installation is required to assure safe operation. The requirements for Zodiac heat pumps include the following:

1. Field assembly (if required).
2. Appropriate site location and clearances.
3. Sufficient air ventilation.
4. Proper electrical wiring.
5. Adequate water flow.

This manual provides the information needed to meet these requirements. Review all application and installation procedures completely before continuing the installation.

2.2 Location Requirements

2.2.1 Introduction

NOTE Indoor installations require special considerations for condensate drainage and venting the cold air produced by the heat pump. Contact the Zodiac technical support department at (800) 822-7933.

CAUTION

When pool equipment is located below the pool surface, a leak from any component can cause large scale water loss or flooding. Zodiac cannot be responsible for such water loss or flooding or resulting damage.

Table 1. EE-Ti Heat Pump Technical Specifications

MODEL	EE1500T	EE2000T	EE2000T-263	EE2500T	EE2500T-R	EE2500T-263	EE2500T-R263	EE3000T	EE3000T-R	EE3000T-263	EE3000T-R263
VOL TAGE	230/60/1	230/60/1	230/60/3	230/60/1	230/60/1	230/60/3	230/60/3	230/60/1	230/60/1	230/60/3	230/60/3
OUTPUT*	70,000 BTUs	112,000 BTUs	120,000 BTUs	120,000 BTUs	120,000 BTUs	120,000 BTUs	120,000 BTUs	140,000 BTUs	140,000 BTUs	140,000 BTUs	140,000 BTUs
INPUT*	3.3 kW	5.1 kW	5.6 kW	5.6 kW	5.6 kW	5.6 kW	5.6 kW	6.7 kW	6.7 kW	6.7 kW	6.7 kW
COP*	6.4	6.4	6.3	6.3	6.3	6.3	6.3	6.1	6.1	6.1	6.1
OUTPUT, STANDARD RATING CONDITIONS**	60,000 BTUs	93,000 BTUs	105,000 BTUs	105,000 BTUs	105,000 BTUs	105,000 BTUs	105,000 BTUs	130,000 BTUs	130,000 BTUs	130,000 BTUs	130,000 BTUs
COP, STANDARD RATING CONDITIONS**	5.4	5.4	5.5	5.5	5.5	5.5	5.5	5.5	5.5	5.5	5.5
OUTPUT, LOW AMBIENT**	40,000 BTUs	64,000 BTUs	72,000 BTUs	72,000 BTUs	72,000 BTUs	72,000 BTUs	72,000 BTUs	85,000 BTUs	85,000 BTUs	85,000 BTUs	85,000 BTUs
COP, LOW AMBIENT**	4.0	4.0	4.0	4.0	4.0	4.0	4.0	4.0	4.0	4.0	4.0
RLA (RUNNING LOAD AMPS)	21A	26.9A	19.2A	26.9A	26.9A	23A	26.9A	26.9A	26.9A	26.9A	26.9
LRA (LOCKED ROTOR AMPS)	115A	145A	170A	145A	145A	160A	145A	145A	145A	145A	190A
MINIMUM CIRCUIT AMPACITY	28A	37A	27A	37A	37A	32A	37A	37A	37A	37A	36A
MAX OVER CURRENT PROTECTION***	45A	60A	45A	60A	60A	50A	60A	60A	60A	60A	60A
HEAT EXCHANGER	Titanium										
COMPRESSOR	40K Scroll	61K Scroll	68K Scroll	68K Scroll	68K Scroll	83K Scroll	83K Scroll	83K Scroll	83K Scroll	83K Scroll	83K Scroll
CABINET	ABS										
REFRIGERANT	64 Oz, R410A	74 Oz, R410A	90 Oz, R410A	90 Oz, R410A	90 Oz, R410A	90 Oz, R410A	90 Oz, R410A	114 Oz, R410A	124 Oz, R410A	114 Oz, R410A	124 Oz, R410A
REFRIGERANT HIGH PRESSURE ALARM	650 PSI (reset to 460 PSI)										
REFRIGERANT LOW PRESSURE ALARM - HEATING UNITS	58 PSI (reset to 127 PSI)										
REFRIGERANT LOW PRESSURE ALARM - REVERSE UNITS	35 PSI (reset to 74 PSI)										
LOW WATER FLOW ALARM	30 GPM										
MAXIMUM HEIGHT BELOW WATER LEVEL	10 feet below pool level										
MINIMUM HEIGHT ABOVE WATER LEVEL	5 feet above pool level										
OPTIMAL WATER FLOW	60 GPM										
MINIMUM WATER FLOW	30 GPM										
MAXIMUM WATER FLOW	125 GPM										
AIR FLOW	4120 CFM										
WATER TEMPERATURE DIFFERENTIAL (DELTA T)	Adjustable between 1°F to 5°F										
UNION SIZE	2"										
WEIGHT	225 LBS	325 LBS									
SOUND PRESSURE PER ISO 3471	58.9 dBa										
OUTPUT - Chiller****	NA	71,000 BTUs									54,000 BTUs
INPUT - Chiller****	NA	6.9 kW									7.2 kW
COP - Chiller****	NA	3.01									2.22
OUTPUT - Chiller****	NA	87,000 BTUs									60,000 BTUs
INPUT - Chiller****	NA	7.4 kW									7.3 kW
COP - Chiller****	NA	3.46									2.4

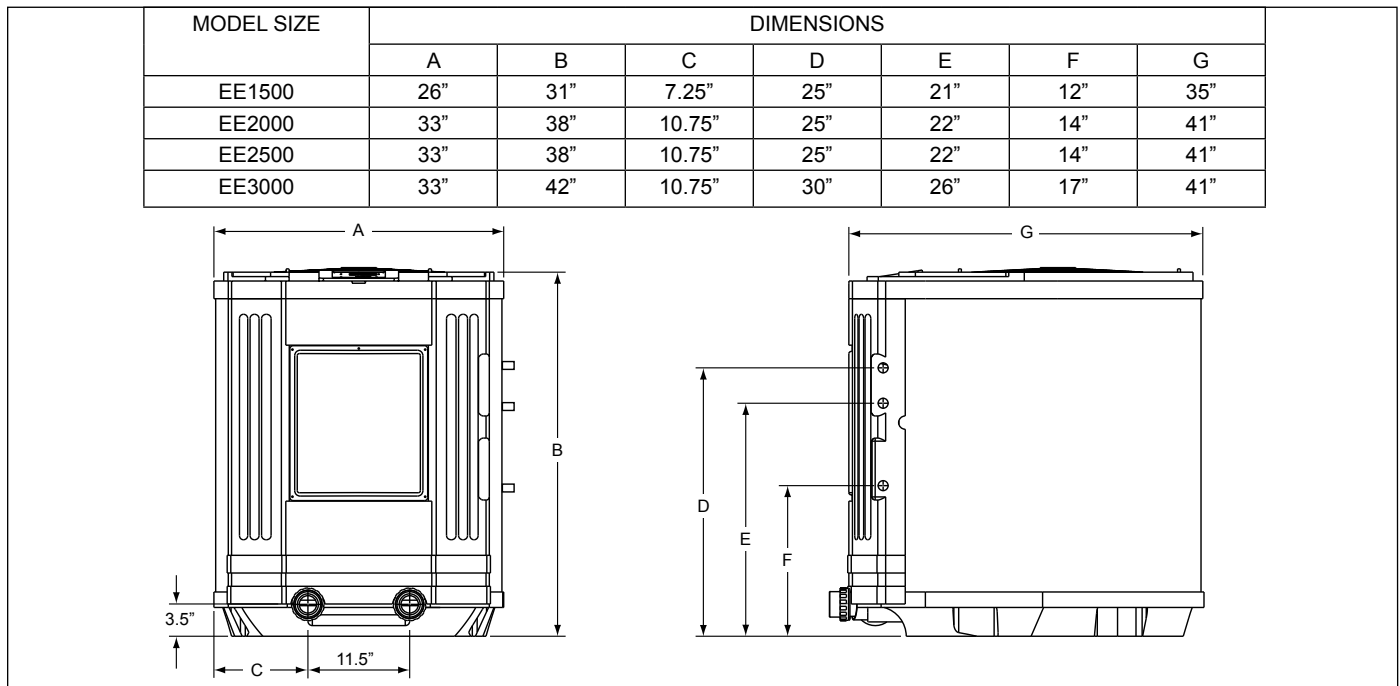
* Test Conditions: 80° F Air, 80% RH, 80° F Water, Outside the scope of AHRI Standard 1160 (I-P)

** Rated in accordance with AHRI Standard 1160 (I-P)

*** Max Over Current Protection refers to the maximum breaker size allowed. If this value is not a standard breaker size, use the next smallest standard size breaker. The breaker size must not be smaller than the Minimum Circuit Ampacity value.

**** Test Conditions: Chiller mode, 96° F Air, 50% RH, 80° F Water, Outside the scope of AHRI Standard 1160 (I-P)

***** Test Conditions: Chiller mode, 96° F Air, 50% RH, 95° F Water, Outside the scope of AHRI Standard 1160 (I-P)

Figure 1. Zodiac EE-Ti Heat Pumps Dimensions**⚠ ATTENTION**

Lorsque l'équipement d'une piscine est situé sous la surface de l'eau, une fuite provenant de n'importe quel élément peut causer une perte d'eau importante ou une inondation. Zodiac Pool Systems, Inc. n'est pas responsable des pertes d'eau, des inondations ou des avaries causées par une installation ou un entretien inadéquat.

⚠ PRECAUCIÓN

Cuando el equipo de la piscina esté situado por debajo de la superficie de la piscina, la fuga de cualquiera de los componentes, podría ocasionar la pérdida de grandes cantidades de agua o inundación. Zodiac Pool Systems, Inc. no se responsabilizará de dichas pérdidas de agua o inundaciones, ni de los daños que puedan derivarse de las mismas.

Avoid placing the heat pump in locations where it can cause damage by water or condensate leakage. If this is not possible, provide a suitable drain pan to catch and divert any leakage.

All criteria given in the following sections reflect minimum clearances. However, each installation must also be evaluated, taking into account the prevailing local conditions such as proximity and height of walls, and proximity to public access areas.

2.2.2 Clearances

The heat pump must be placed to provide clearances on all sides for maintenance and inspection. See Table 2.

Table 2. Heat Pump Clearances

Side of Heat pump	Minimum Clearances for Operation		Recommended Clearances for Serviceability	
	Inches	Centimeters	Inches	Centimeters
Front	6	15	24	60
Rear	6	15	12	30
Left	6	15	12	30
Right	6	15	12	30
Top	60	150	60	150

NOTE: Clearances listed in Table 2 are manufacturer's tested values. These are given as minimum values. Where local and national codes apply, and values are different than those listed in Table 2, use the greater value to ensure safe and proper operation.

Access in front of the heat pump of 24" (60 cm) provides adequate room for serviceability.

If the heat pump is to be installed in a garage or under a vertical overhang, the unit must have a minimum of 5 feet (1.5 meters) clearance from the top of the heat pump.

In the U.S., the heat pump must be installed at least 5 feet (1.5 meters) from the inside wall of the pool or spa unless the heat pump is separated from the pool or spa by a 5 foot (1.5 meters) high solid fence or other permanent barrier.

Aux Etats-Unis, ce chauffe-piscine doit être installé à au moins 5 pieds (1,5 m) de la paroi interne de la piscine à moins d'être isolé de la piscine par une clôture, un mur ou autre barrière permanente.

En Estados Unidos, esta bomba de calor deberá instalarse a una distancia de al menos 5 pies (1,5 metros) de la pared interior de la piscina; a menos que la bomba de calentar esté separada de la piscina mediante una valla sólida de 5 pies (1,5 metros) de altura u otra barrera permanente.

In Canadian installations, the minimum distance to be maintained from the inside wall of the pool or spa is 3 meters (approx. 10 feet).

Pour les installations canadiennes, la distance minimale à maintenir du mur intérieur de la piscine ou du spa est de 3 mètres (approximativement 10 pieds).

2.2.3 Equipment Pad

Place the heat pump on a flat slightly pitched surface, such as a concrete or fabricated slab (pad). This allows proper drainage of condensation and rain water from the base of the unit. If possible, the pad should be placed at the same level or slightly higher than the filter system equipment pad.

NOTE Ensure that the pad is pitched not more than ¼ inch per foot cm per toward the compressor end (front) of the heat pump. Pitch slab from back to front ¼ inch per foot maximum and level from side to side.

2.2.4 Condensation and Drainage

Condensation will occur from the evaporator coil while the unit is running and drain at a steady rate, usually 3 to 5 gallons (11.4 to 18.9 liters) per hour, depending upon ambient air temperature and humidity. The more humid the ambient conditions, the more condensation will be produced. The bottom of the unit acts as a tray to catch rainwater and condensation. Keep the drain hole located on the right side of the base of the unit clear of debris.

If the heat pump is installed indoors, means of condensate disposal must be provided. The drain hole in the base of the heat pump is tapped to fit an optional 3/4" diameter barbed adapter, Zodiac p/n R3004100 (see Section 9, "Replacement Parts"). If using the barbed adapter, connect a length of 3/4" tubing (5' is included in Zodiac p/n R3004100) to the adapter, then route it into a drain or outside the building to dispose of the condensate. ***It is important to remember that no part of the tubing or hose may be above the level of the drain hole in the base of the heat pump.***

2.2.5 Lawn Sprinklers

Keep lawn sprinkler heads from spraying on the heat pump to prevent corrosion and damage. Use a deflector if needed.

2.2.6 Roof Run-off

Make sure the heat pump is not located where large amounts of water may run-off from a roof into the unit. Sharp sloping roofs without gutters will allow massive amounts of rain water, mixed with debris from the roof to be forced through the unit. A gutter or down spout may be needed to protect the heat pump.

2.2.7 Installation of Anchor Clamps

In Florida, building codes require that the heat pump be anchored to the equipment pad or platform to withstand high wind pressures created during hurricanes. Other jurisdictions may have similar requirements. Please check your local codes for further details.

This heat pump is provided with anchor clamps designed to hold the unit to the equipment pad in high wind conditions. Installation of the anchor clamps is recommended in all installations and are required in Florida (reference Florida Building Code, Mechanical Section 301.13).

To install the anchor clamps:

1. Be sure that the heat pump is in its permanent location on the equipment pad.
2. Remove the anchor clamps from the installation and instruction package.

NOTE: Bolts and bolt anchors are not included with the heat pump. Zodiac recommends that a 1/4" x 1 3/4" long galvanized or plated concrete screw and washer is used to mount the clamp to the equipment pad.

3. Place the clamps at the base of the heat pump in the locations indicated in Figure 2.

NOTE: To install the brackets on the *front* of the heat pump, the front cover must be loosened enough in order to place the bracket over the lip of the base. Be sure to re-tighten the front jacket panel to the heat pump.

4. Fit the hook of each clamp over the lip on the base panel of the heat pump. The hook should fit between the lip of the base panel and the evaporator coil guard (see Figure 3).
5. Mark the position of the hole in each clamp on the equipment pad.
6. Drill a hole in the cement using a masonry drill bit, with a diameter as determined by the concrete anchor, at each of the marks on the equipment pad. The hole should be approximately 1-3/4" deep.
7. Insert a bolt anchor into each of the holes. Be sure the anchors are set completely into the holes.
8. Position the anchor clamps so that the holes in the clamps are over the bolt anchors. Be sure that the clamp hooks are over the lip of the heat pump base (see Figure 3).
9. Insert an anchor bolt through each clamp into the anchor and tighten to secure the clamp and heat pump to the equipment pad.

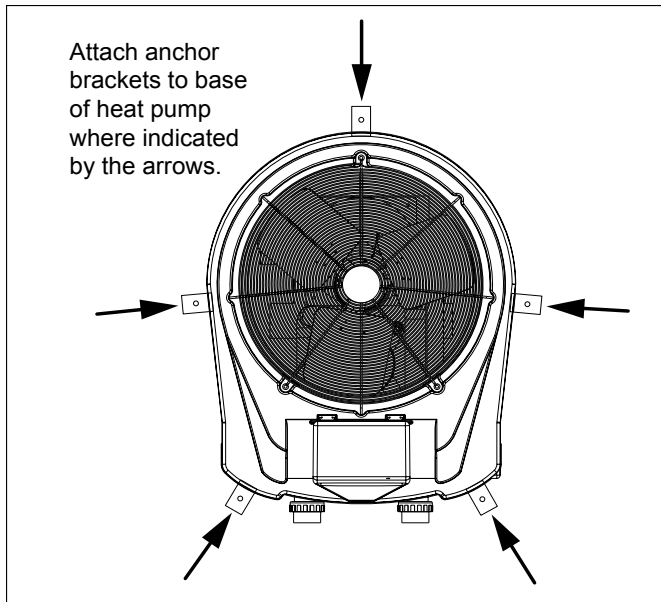


Figure 2. Anchor Clamp Positions

Section 3. Water Connections

3.1 Plumbing Layout

Figure 4 illustrates the standard plumbing layout with a single heat pump unit. Following the diagram from right to left, the plumbing sequence is as follows:

Pool > Pool Pump > Filter > Heat Pump > Check Valve > Chemical Loop > Chlorinator > Pool

NOTE For normal installations, do not install a shutoff valve or any kind of variable restriction in the water piping between the heat pump outlet and the pool/spa.

Arrangement of pool system components other than as illustrated in the preceding and following diagrams can affect the operation of the heat pump's water pressure switch. Location of the heat pump above or below the pool water surface can also affect operation of the switch. In general, the pressure switch can be adjusted to accommodate this effect if the heat pump water connections are no more than 10 feet below the pool water surface or no more than 5 feet above it. See instructions for pressure switch adjustment (Section 5.6) in the heat pump start-up section of this manual for more information. If the heat pump is installed outside of this range, an external flow switch may need to be installed in the plumbing upstream of the heat pump. Call the Zodiac technical support department at (800) 822-7933 for details.

Be advised that when pool equipment is located below the pool surface a leak can result in large scale water loss or flooding. Zodiac cannot be responsible for such water loss or flooding or the damage caused by either occurrence.

3.2 Water Connections at Heat Pump

Shipping plugs have been installed in the water inlet and outlet ports of the heat pump at the factory.

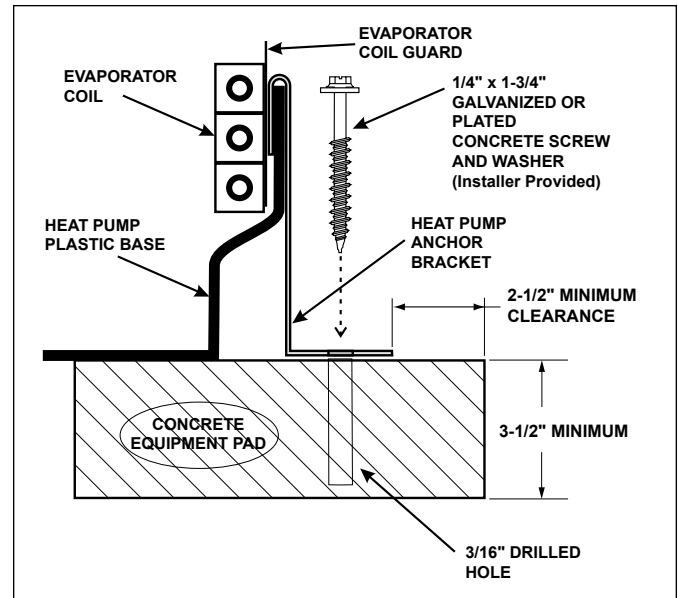


Figure 3. Anchor Clamp Installation

Before installing any plumbing, remove the shipping plugs. Filtered water is plumbed to the inlet, located on the right side of the heat pump front panel. Heated water flows through the outlet, located on the left side of the heat pump front. Two inch unions are provided.

Plastic piping (PVC Schedule 40) should be connected to the heat pump. The unions, provided with the unit, accept 2" PVC pipe.

⚠ CAUTION

Make sure that flow requirements and pool water turn over rates can be maintained with the installation of additional heat pumps and plumbing restrictions.

⚠ ATTENTION

Assurez-vous que la circulation d'eau requise soit maintenue même si des pompes d'appoints ou des éléments de plomberie, causant des restrictions, sont ajoutés.

⚠ PRECAUCIÓN

Asegúrese de que los requerimientos de flujo e índices de volumen de agua de la piscina puedan mantenerse, con la instalación de bombas de calentar adicionales y restricciones de fontanería.

3.3 Check Valve Installation

⚠ WARNING

A check valve can interfere with the proper operation of certain Suction Vacuum Release System (SVRS) products. To avoid possible entrapment hazard, serious injury, or death, make sure to review the operation/owners manual of your particular SVRS product before installing the check valve.

The heat pump must be protected from back-siphoning of water. If there is any chance of back-siphoning, provide a check valve between the pool and the filter pump inlet.

When an automatic chemical feeder is installed in the plumbing, it must be installed downstream of the heat pump. A check valve must be installed between the heat pump and the chemical feeder to prevent back-siphoning of chemically saturated water into the heat pump where it will damage the components.

3.4 Automatic Flow Control Valve

The inlet/outlet header of the EE-Ti heat pump comes equipped with an internal automatic flow control valve. The automatic flow control valve maintains the proper flow through the heat pump at rates up to approximately 125 gpm (475 lpm). If the filter system flow rate is higher than approximately 125 gpm (475 lpm), install a manual bypass valve (see Figure 4).

NOTE Be advised that if your circulation pump is over 2 HP or if the total flow exceeds 125 gpm (475 lpm), you will have to add an external bypass valve.

3.5 Multiple Unit Installation

3.5.1 Heat Pump and Heater Combination

In certain regions of the country it may be more economical to run a heat pump during the warmer months and a gas heater during the cooler months.

In some situations it may be desirable to run the heat pump in the “Chiller” mode during the hottest portion of the year and a heater during the cooler months.

The Zodiac heat pump may be plumbed with a gas or electric heater or any combination of heat sources including solar. All heat sources must be plumbed in parallel to work correctly and efficiently.

Figure 5 illustrates a recommended plumbing layout for a heat pump / heater / solar combination heating system for a pool / spa combination. Your system may not contain all of these components, but the basic plumbing will apply by eliminating the component in the illustration that is not a part of your system.

3.5.2 Multiple Heat Pump Connections

All plumbing on multiple heat pump installations must be done in parallel (see Figures 6 and 7). An equal flow of water to each heat pump is important for optimum operation.

NOTE It may be necessary to adjust water pressure switch if a unit is installed below the water level. See Section 5.6 for details on when and how to adjust the pressure switch.

NOTE Each heat pump allows a maximum flow rate of 125 gpm (475 lpm) and requires a minimum of 30 gpm (114 lpm).

Section 4. Electrical Connections

4.1 General Information

Wiring connections must be made exactly as shown in the wiring diagram found on the inside of the heat pump access compartment (see Figure 8 for single phase electrical wiring and Figure 9 for 3-phase electrical wiring). The heat pump must include a definite means of grounding and bonding. There is a bonding lug on the right side of the heat pump, where a bond wire must be attached.

WARNING

ELECTRICAL SHOCK HAZARD. This heat pump contains wiring that carries high voltage. Contact with these wires may result in severe injury or death. Disconnect power circuit before connecting the heat pump

AVERTISSEMENT

POSSIBILITÉ DE CHOCS ÉLECTRIQUES. Ce système de chauffage contient du filage de haut voltage. Un contact avec ces fils peut résulter en des blessures sérieuses ou la mort. Débranchez le circuit de puissance avant de relier la pompe à chaleur

AVISO

PELIGRO DE DESCARGA ELÉCTRICA. Esta bomba de calor, contiene cableado de alta tensión. El contacto con los cables podría ocasionar lesiones graves o la muerte. Desconecte el circuito de alimentación, antes de conectar la bomba de calentar.

CAUTION

Label all wires prior to disconnection when servicing controls. Wiring errors can cause improper and dangerous operation. Verify proper operation after servicing.

ATTENTION

Au moment de l'entretien des commandes, étiquetez tous les fils avant de les débrancher. Des erreurs de câblage peuvent entraîner un fonctionnement inadéquat et dangereux.

PRECAUCIÓN

Proceda a etiquetar todos los cables antes de su desconexión en los controles de mantenimiento. Los errores de cableado pueden ocasionar un funcionamiento peligroso e inadecuado. Comprobar que el funcionamiento es correcto, una vez efectuado el mantenimiento.

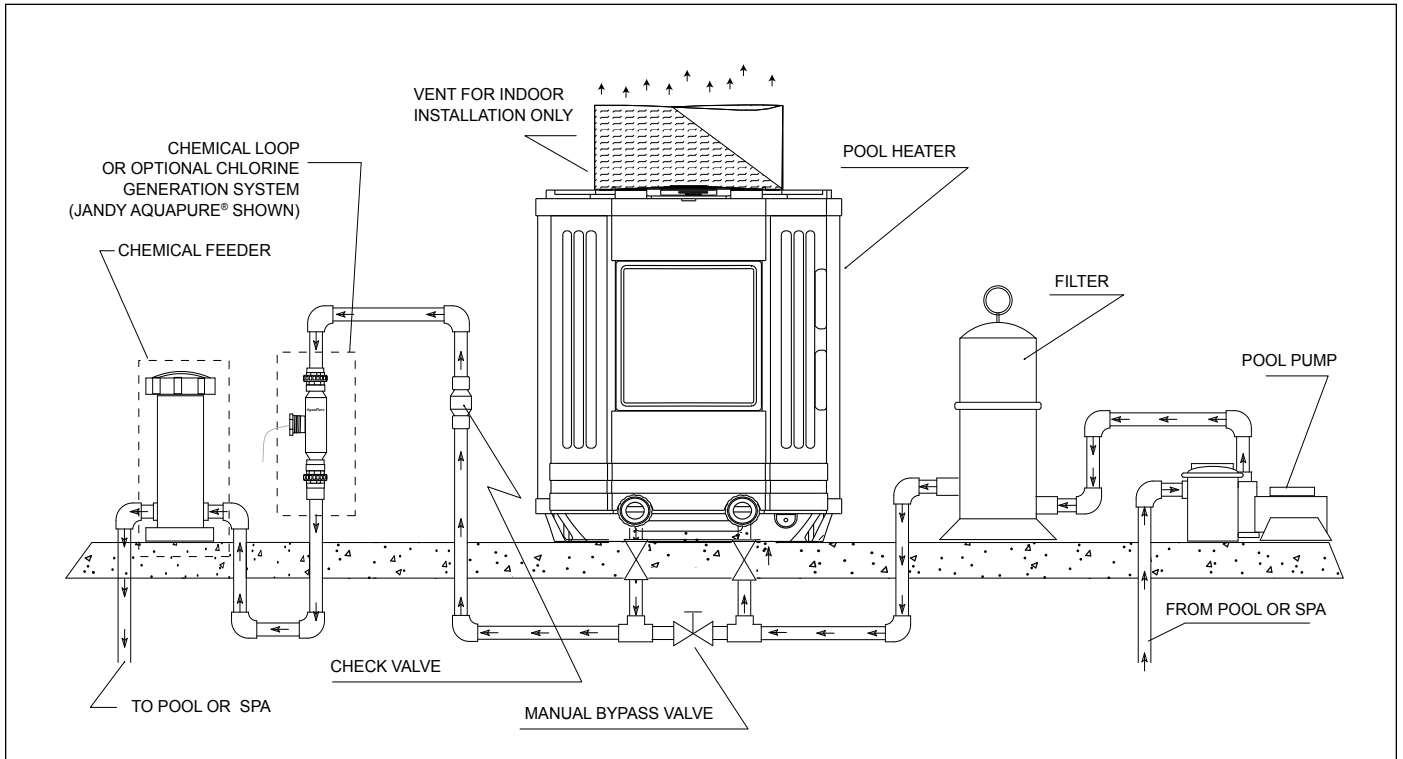


Figure 4. Standard Plumbing Layout

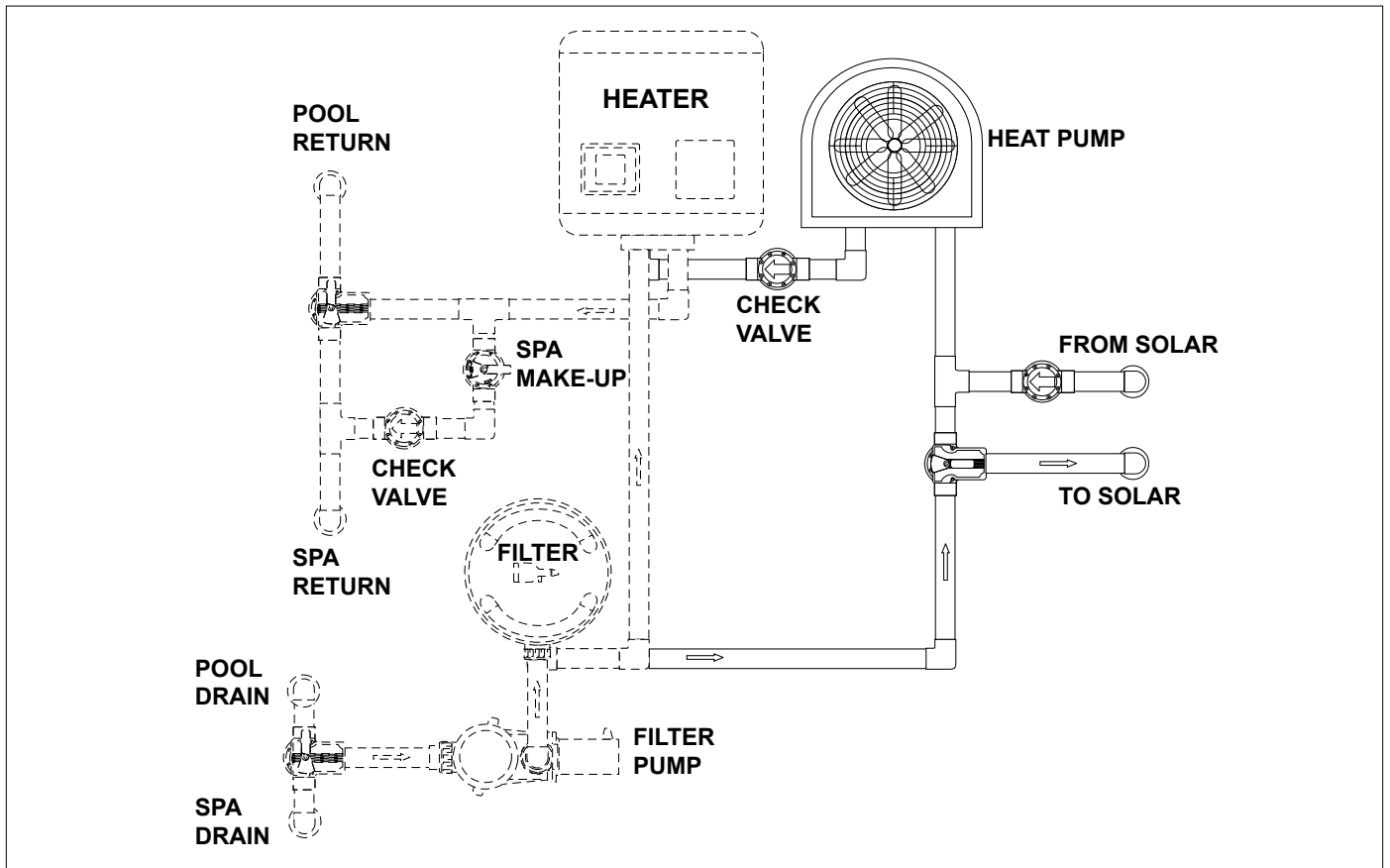


Figure 5. Plumbing For Heating System Combinations

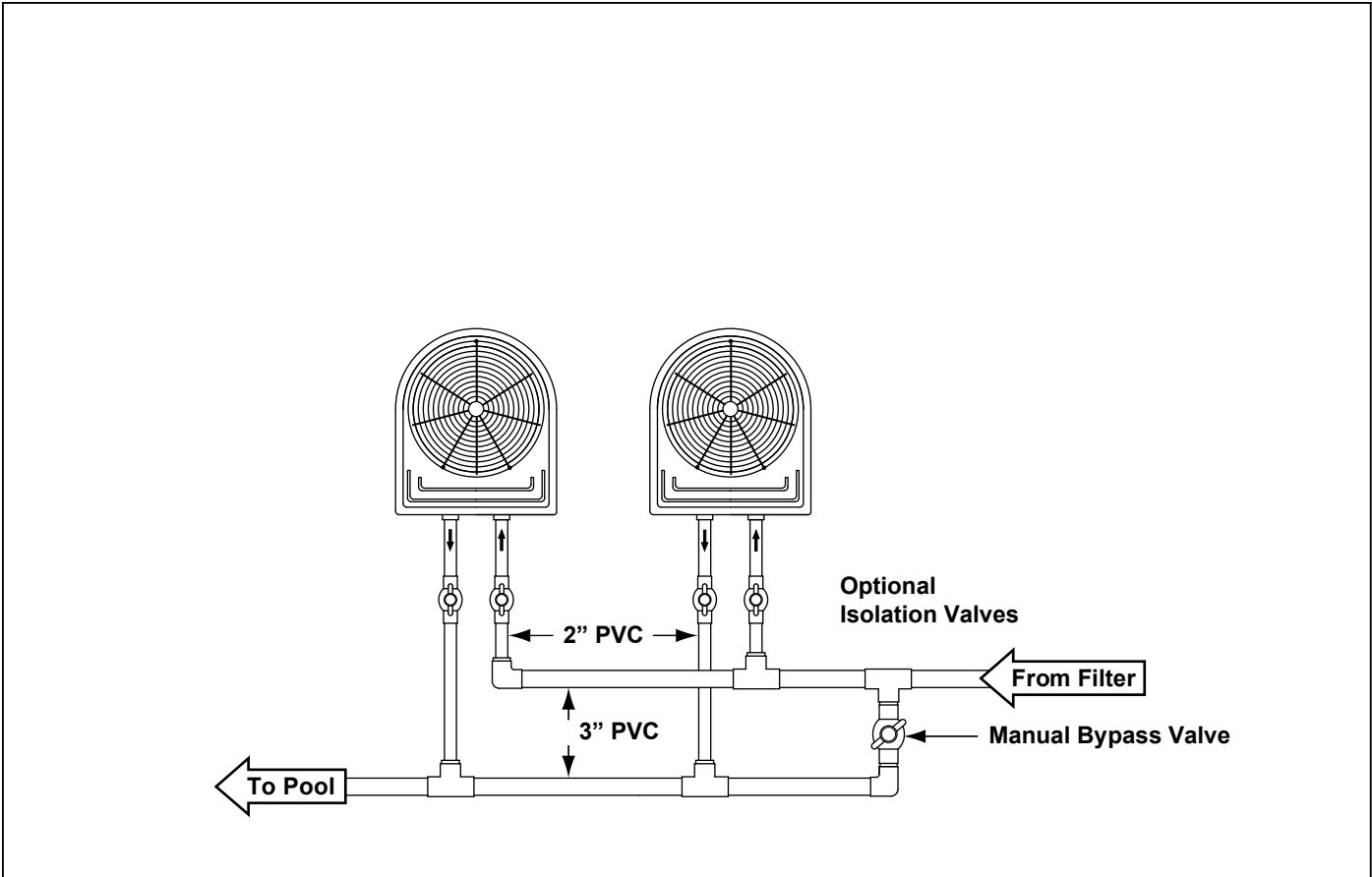


Figure 6. Two (2) Heat Pump Plumbing Layout

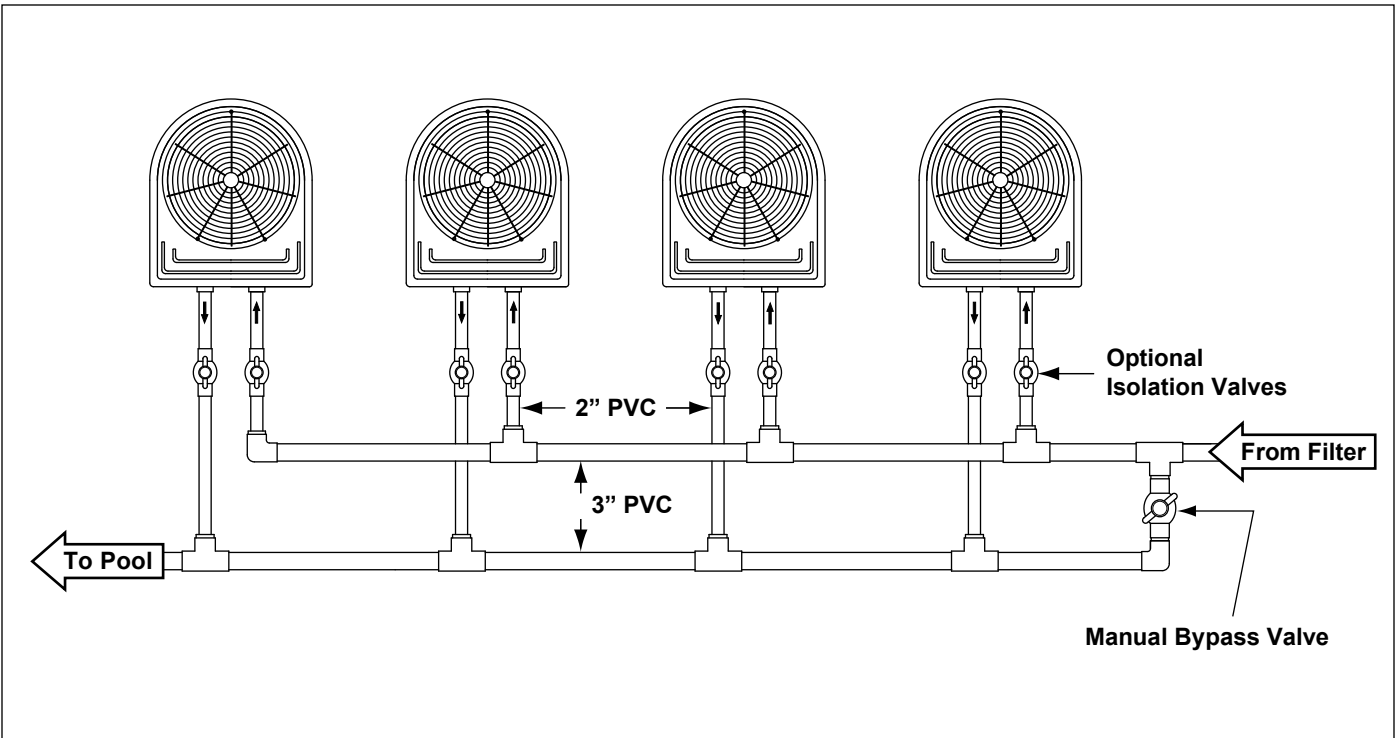


Figure 7. Four (4) Heat Pump Plumbing Layout

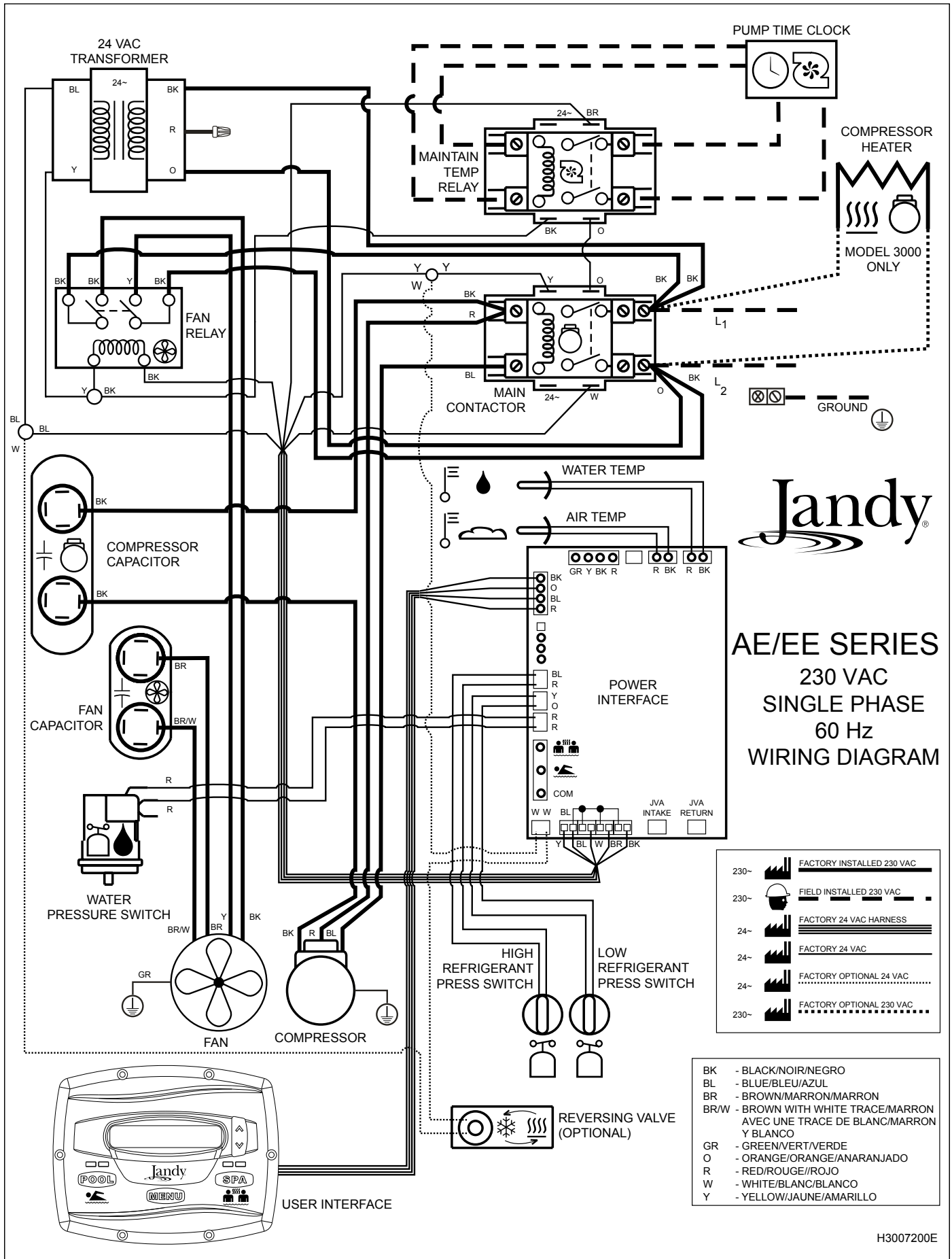
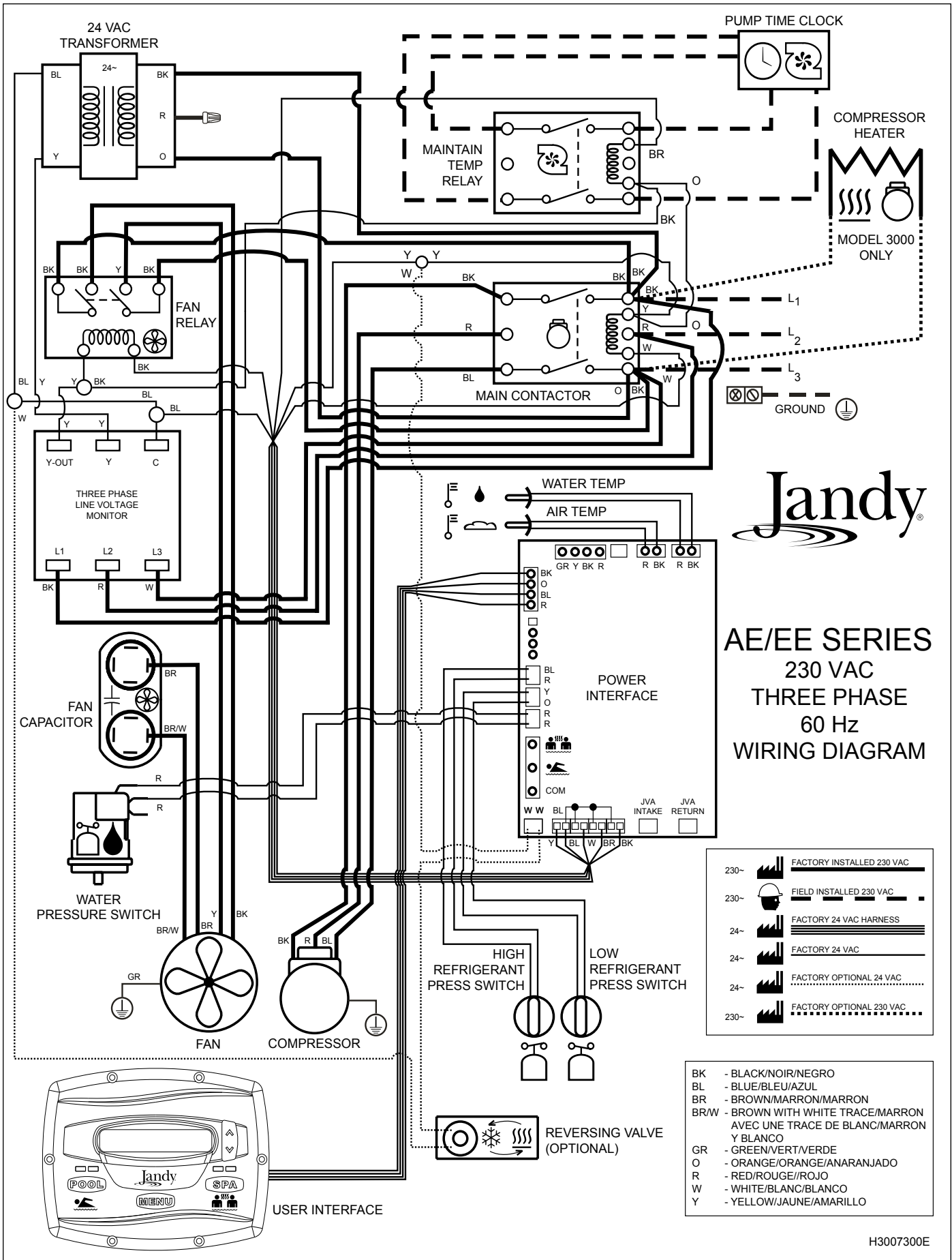


Figure 8. EE-Ti Single-Phase Electrical Supply Wiring Diagram



H3007300E

Figure 9. EE-Ti 3-Phase Electrical Supply Wiring Diagram

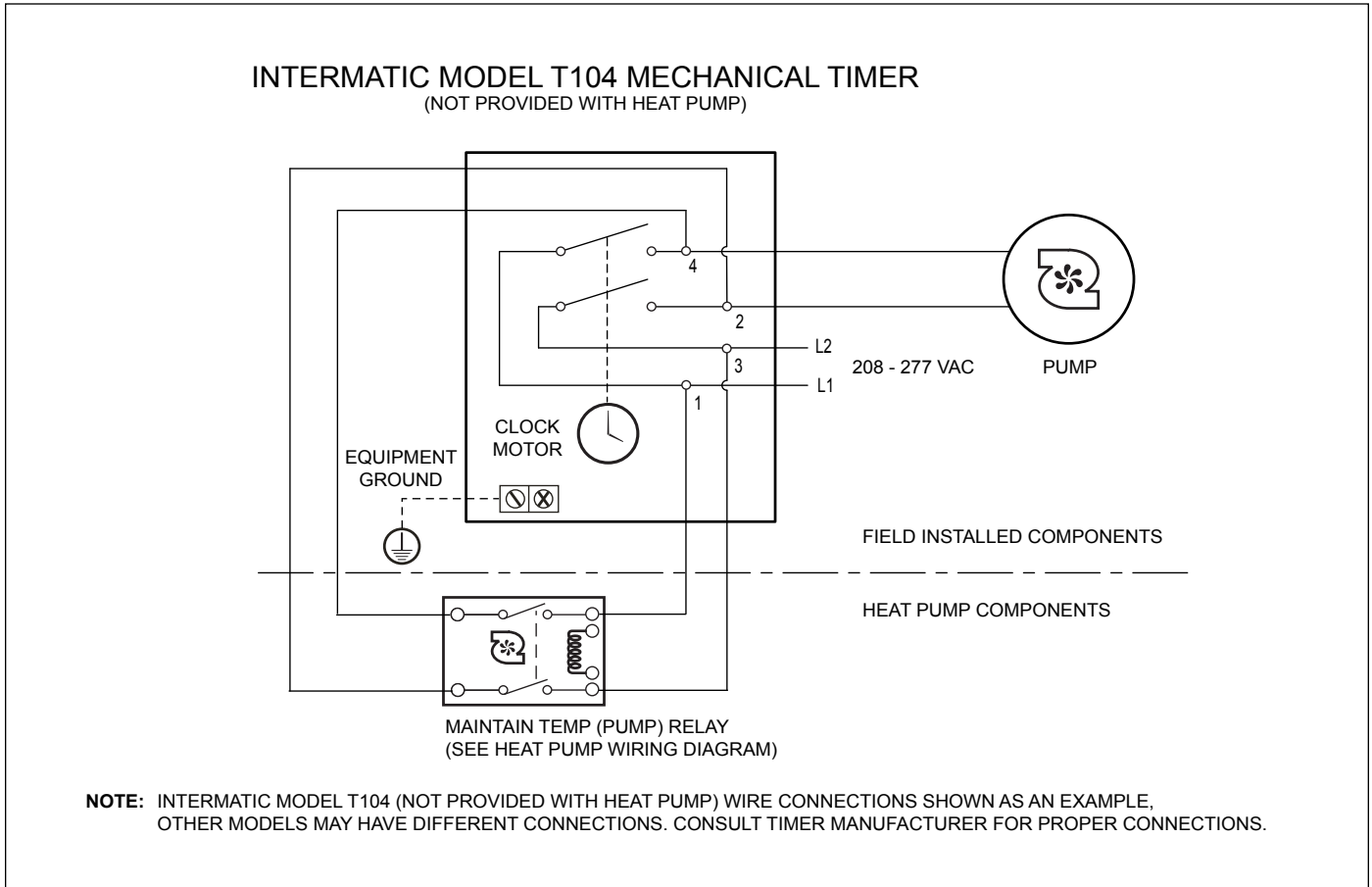


Figure 10. Example of “MAINTAIN TEMP” Wiring to the Time Clock

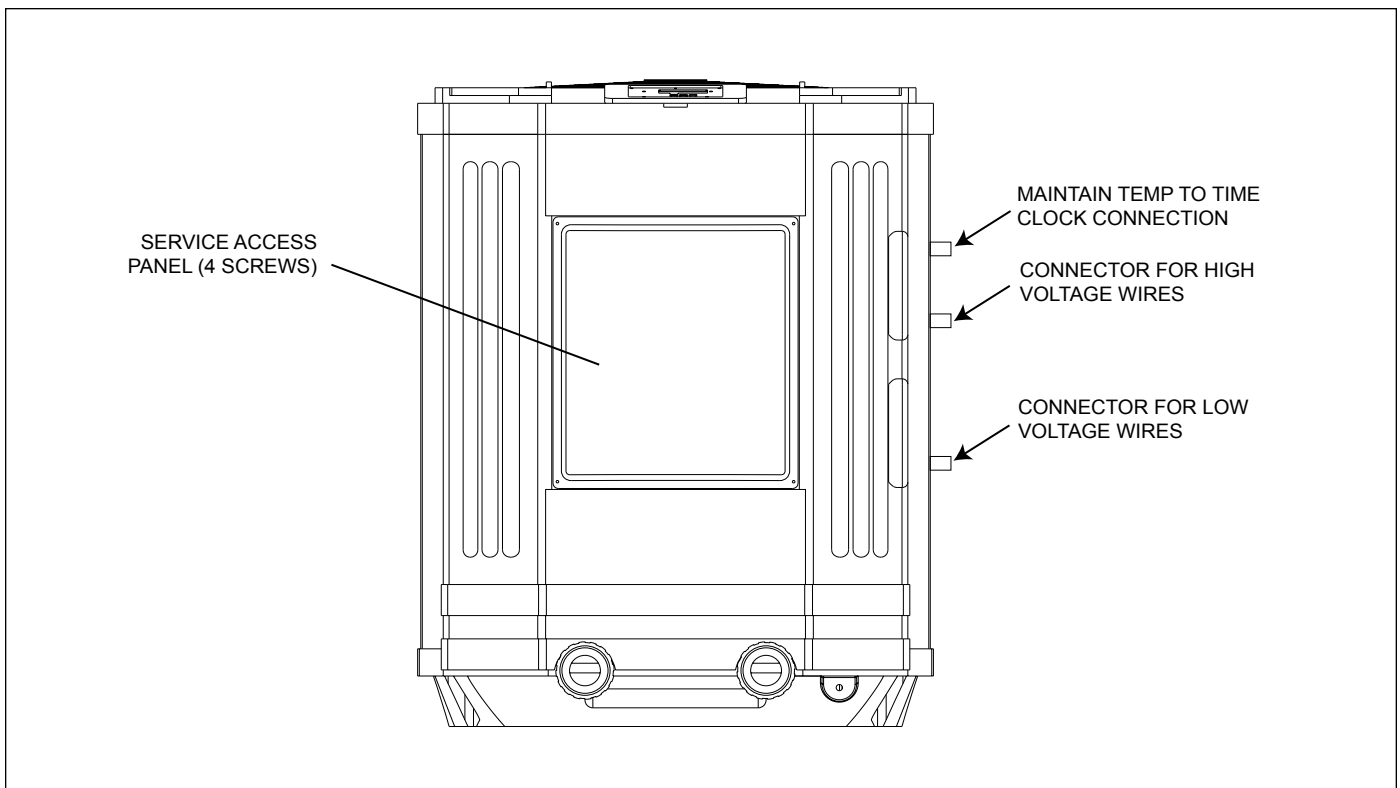


Figure 11. EE-Ti Heat Pump Front View

4.2 Main Power

Electrical wiring to the heat pump must be in accordance with the latest edition of the National Electric Code® (NEC), ANSI/National Fire Protection Association (NFPA) 70 in the United States, and in Canada, the Canadian Electrical® Code (CEC) C22.1, unless local code requirements indicate otherwise.

The heat pumps come factory-wired intended for use with either 230 VAC, 60 Hz single phase or 3 phase field electrical supply depending on the model. See the rating plate for the electrical specifications. All wiring must be done by a certified electrician.

The following is the procedure to wire the EE-Ti to the electrical source specified on the Rating Plate:

1. Be sure the power to the circuit for the heat pump is turned off.
2. Remove the four (4) screws that attach the service/access panel to the heat pump unit (see Figure 11).
3. Remove the front cover of the sheet metal junction box.
4. Electrical supply lines must be run through watertight conduit. Run the wires and conduit from the power source and connect them to the conduit connection labeled “High Voltage Connection” on the right side of the heat pump. See Figure 11 for connection location.
5. Connect the wires to the terminals on the main contactor as shown in the wiring diagrams. Refer to Figures 8 and 9.
6. Connect the ground wire to the ground lug provided in the electrical compartment.
7. Replace the cover of the junction box.
8. Replace the service access panel and replace the screws to hold it in place.
9. Connect a copper bonding wire (8 AWG). (In Canada, it shall be not smaller than 6 AWG (13.3 mm²) to the bonding lug on the right side of the heat pump.

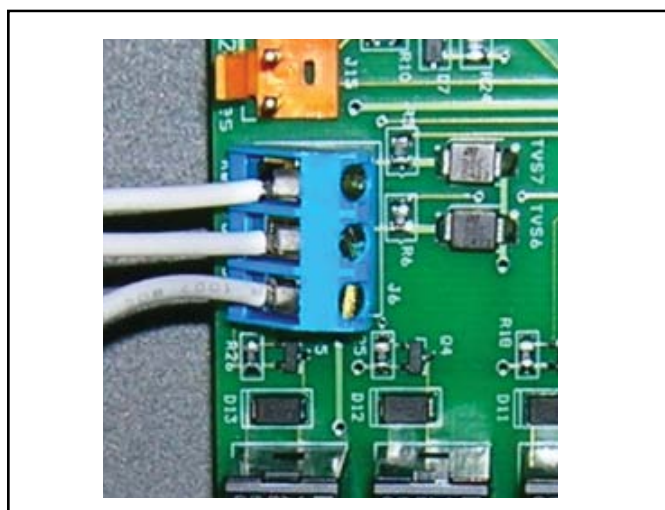


Figure 12a. Remote Pool-Off-Spa Connection (3-Wire Connection)

4.3 Bonding

⚠ CAUTION

This heater must be connected to a bonding grid with a solid copper wire not smaller in diameter than 8 AWG (In Canada, it shall be no smaller than 6 AWG.)

⚠ ATTENTION

L'appareil de chauffage doit être connecté à une grille de mise à la terre par un fil de cuivre d'un diamètre de calibre minimal 8. Au Canada, cela ne devrait pas être inférieur à 6 AWG (13.3 mm²).

⚠ PRECAUCIÓN

Esta bomba de calor deberá estar conectada a una rejilla de unión con hilo de cobre sólido, de un diámetro no inferior a 8 AWG. En Canadá, no será más pequeño de 6 AWG (13.3 mm²).

The National Electrical Code and most other U.S. codes require that all metallic components of a pool structure, including reinforcing steel, metal fittings, and above ground equipment be bonded together with a solid copper conductor not smaller than 8 AWG. The heat pump, along with pumps and other pool equipment must be connected to this bonding grid. A bonding lug is provided on the right hand side of the heat pump to ensure this requirement is met.

4.4 Pump Connection (Maintain Temp Feature)

This feature allows the heat pump to turn on the pool pump, bypassing the time clock setting, to maintain the desired temperature. In order for the **MAINTAIN TEMP** feature to be functional, a dedicated line from the pool pump time clock to the Maintain Temp (Pump)

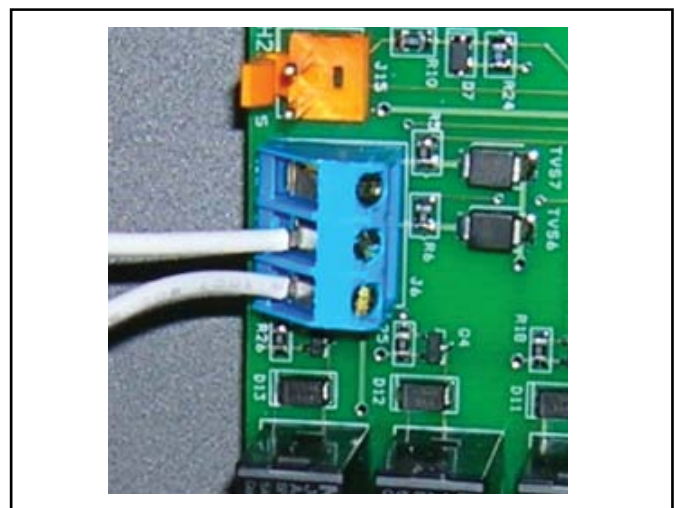


Figure 12b. AquaLink RS or Remote TSTAT Connection (2-Wire Connection)

Relay is needed. See Figure 10.

4.5 Optional Remote Controls

Electrical wiring must be in accordance with all applicable national and local codes and ordinances.

4.5.1 Connection to a Remote Pool-Off-Spa Selector (3-Wire Connection)

4.5.1.1 Install the Remote Pool-Off-Spa Selector

1. Turn off the power to both the pool/spa control system and the heat pump unit.
2. Remove the screws that attach the service/access panel to the heat pump unit and the cover to the junction box (see Figure 11).
3. Run the wires from the pool/spa control system into the conduit connection labeled “Low Voltage Connection”, located on the lower right hand side of the heat pump (see Figure 11).
4. Connect the wiring from the pool/spa control system to the heat pump remote control terminal (see Figure 12a).
5. Restore power to the heat pump and the pool/spa control system.

4.5.1.2 Configure the Control Panel

1. Make sure the control is in the **OFF** mode.
2. To enter the Service Setup mode, press and hold the **MENU**, **POOL**, and **SPA** buttons for 5 seconds.

NOTE The display will revert back to **OFF** after one minute since the last key press.

3. Press the **Up** or **Down** button to display **REMOTE**. Press the **MENU** button. The **SELECT REMOTE OFF** (default remote) appears, use the **Up** or **Down** button to scroll through the Remote options. When you reach **HI-LO-COM**, press the **MENU** button to select the remote. Press **POOL** or **SPA** to exit the Service Setup mode.

4.5.2 Two-Wire Connection to an AquaLink® RS or TSTAT

4.5.2.1 Configure the AquaLink RS Control System

1. Turn off the power to both the pool/spa control system and the heat pump unit.
2. Connect two (2) wires to the AquaLink RS green 10-pin terminals 1 and 2.
3. Put DIP S2-1 (pin #1 of the 4 position DIP switch) into the ON position (see Figure 13).

4.5.2.2 Install the Remote TSTAT

1. Turn off the power to both the pool/spa control system and the heat pump unit.
2. Remove the screws that attach the service/access panel to the heat pump unit and the cover to the junction box (See Figure 11).
3. Run the wires from the pool/spa control system into the conduit connection labeled “low voltage connection”, located on the lower right hand side of the heat pump (See Figure 11).

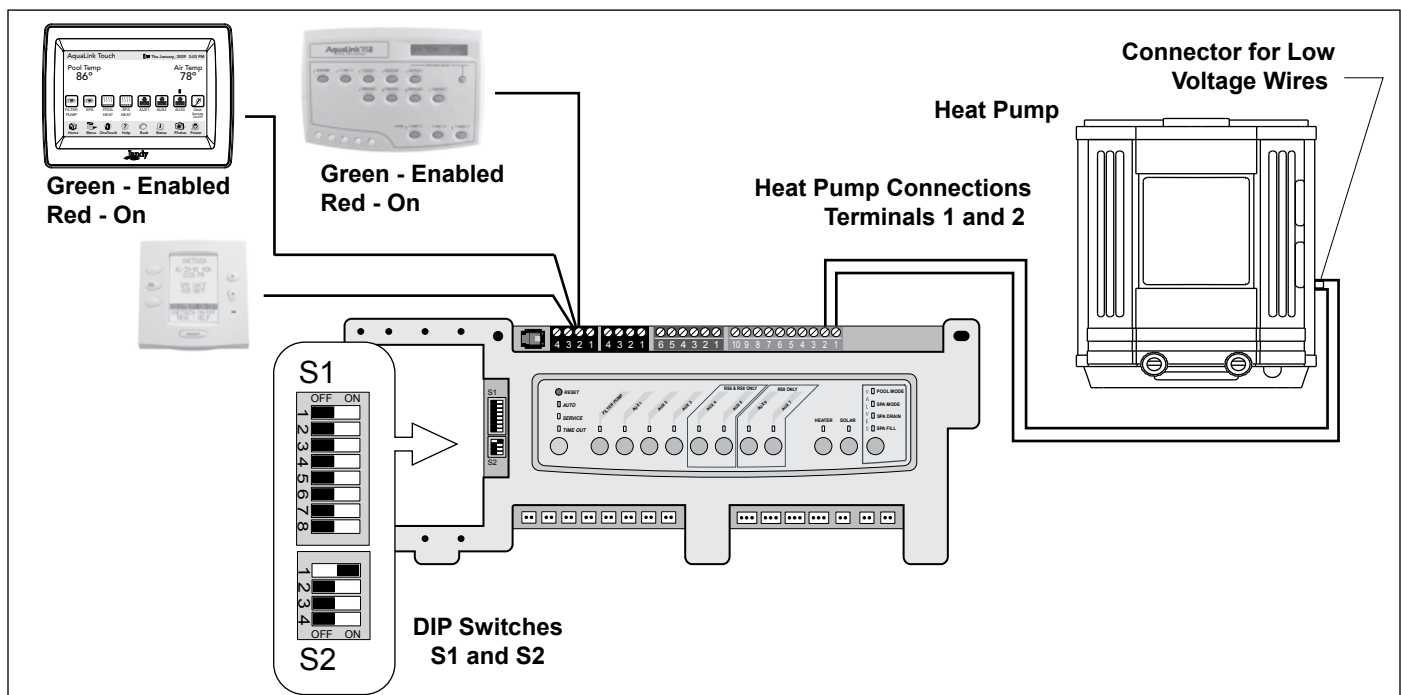


Figure 13. AquaLink RS to EE-Ti Heat Pump

- Connect the wiring from the pool/spa control system to the heat pump remote control terminal (See Figure 12b).
- Restore power to the heat pump and the pool/spa control system.

4.5.2.3 Configure the Control Panel

- Make sure the control is in the **OFF** mode.
- To enter the Service Setup mode, press and hold the **MENU**, **POOL**, and **SPA** buttons for 5 seconds.

NOTE The display will revert back to **OFF** after one minute since the last key press.

- Press the **Up** or **Down** button to display **REMOTE**. The **SELECT REMOTE OFF** (default remote) appears, use the **Up** or **Down** button to scroll through the Remote options. When you reach **REMOTE TSTAT**, press the **MENU** button to select the remote. Press **POOL** or **SPA** to exit the Service Setup mode.
- Press **SPA**. For heating, adjust the setpoint to the maximum setting. For chilling, adjust the setpoint to the minimum setting.

4.5.3 Four-Wire Connection to AquaLink® RS 485 Communication

- Confirm the EE-Ti heat pump and AquaLink RS software revisions are compatible (see Figure 14).

NOTE Only a revision "N", or higher, program chip in the RS system will support the EE-Ti heat pump interface.

- Turn off the power to both the heat pump and the RS control and open the RS Power Center enclosure and remove the front dead panel.
- Remove the two (2) screws holding the bezel in place and turn the bezel over to view the circuit board on the back.
- Locate the programmed chip on the Power Center Board. In the center of the chip is the revision letter. If the revision letter is "N" or higher go to step 5. If the revision level is "MMM" or lower, replace the board or connect as shown in Section 4.5.2.
- Use 22 gauge 4-conductor wire (Zodiac Part No. 4278) to run between the heat pump and the RS control, and match the wire color order.
- The wires coming from the EE-Ti heat pump can be "doubled up" on the red terminal bar with the four (4) wires coming from the indoor controller.

NOTE If you need to install more than two (2) wires in each terminal, order a Zodiac Multiplex PCB Kit,

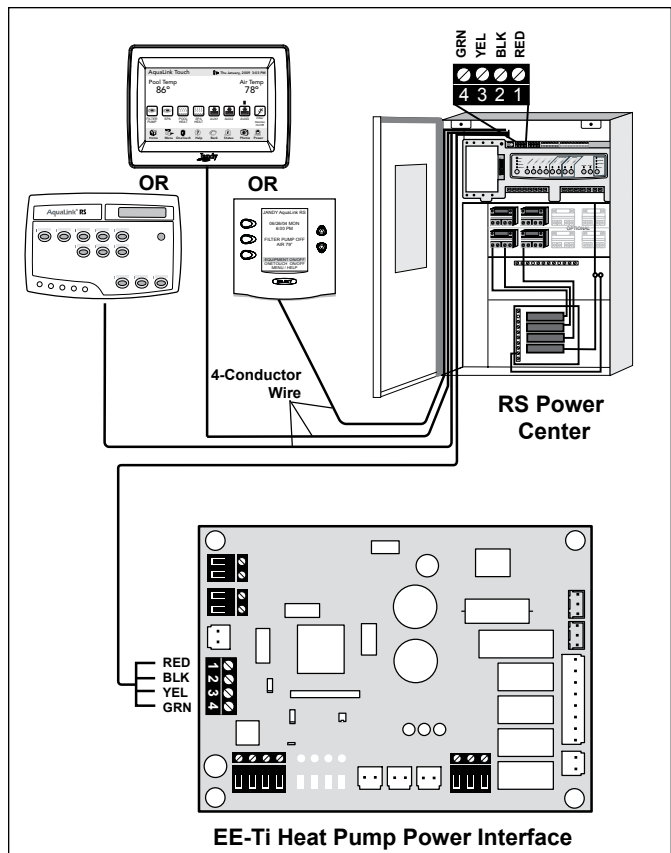


Figure 14. EE-Ti Heat Pump Connection to Power Center

which includes the Multiplex Board (Zodiac Part No. 6584). Never put more than two (2) wires into each of the pins of the terminal bar.

- Check all wiring, then apply power to both the heat pump and the RS control system. Operation can be verified in either Service or Auto mode. See the RS Control System manual for instructions about operation.

When the EE-Ti heat pump is first powered and there is an RS control connected to the heat pump, the display on the heat pump will show **"JANDY REMOTE ONLINE PUSH MENU TO DISABLE"**. When the EE-Ti heat pump is online with the RS control, all functionality of the control on the heat pump is disabled. The heat pump functions can be controlled only at the RS unit.

To temporarily use the heat pump controls, press the **MENU** button. The message **"JANDY REMOTE ONLINE PUSH MENU TO DISABLE"** will disappear from the heat pump display. All functionality has now been returned to the control on the heat pump. In this mode the RS unit is no longer controlling the heat pump.

To return the functionality to the RS unit, cycle (turn off and then turn on) the power to the heat pump, or press the **MENU** button for 5 seconds to enter the User Setup Mode and then enable the Zodiac Remote.

EE-Ti Heat Pump Power Interface Software Rev.	AquaLink® RS Software Revision
3.0 or Later	N or Later

NOTE If connecting more than two (2) items to the RS Power Center red, 4-pin connector, a Multiplex PCB is required.

4.5.4 Connection to a Secondary User Interface

1. Turn off the power to the heat pump.
2. Remove the four (4) screws that attach the service access panel to the heat pump and remove the cover to the junction box. See Figure 11.
3. Run four (4) 22 AWG solid copper wires into the conduit labeled “Low Voltage Connection” located on the lower right hand side of the heat pump. See Figure 11. The wires may be up to 300 feet (91.4 m) in length.
4. Connect the wires to the 4 position terminal on the upper left hand corner of the Power Interface PC Board, labeled “User Interface1”. The wires will be added to the existing wiring to the User Interface installed on the heat pump.
5. Ensure the wiring is consistent when connecting the wires to the second User Interface. For example, BK goes to BK, O goes to O, etc.
6. Re-install the junction box cover and service access panel and restore power to the heat pump.

Section 5. Operation

CAUTION

Do not use this heat pump if any part has been under water. Immediately call a qualified service technician to inspect the heater and replace any part of the control system which has been under water.

ATTENTION

N'utilisez pas cet appareil s'il a été plongé dans l'eau, même partiellement. Faites inspecter l'appareil par un technicien qualifié et remplacez toute partie du système de contrôle et toute commande qui ont été plongés dans l'eau.

PRECAUCIÓN

No utilice esta bomba de calor si algunos de sus componentes han estado debajo del agua. Póngase inmediatamente en contacto con un técnico de mantenimiento cualificado para que inspeccione el equipo y reemplace cualquier parte del sistema de control que haya estado debajo del agua.

CAUTION

Keep all objects off the top of the heat pump. Blocking air flow could damage the unit and may void the warranty.

ATTENTION

Ne posez aucun objet sur le dessus de l'appareil. Il pourrait empêcher la circulation de l'air, ce qui risquerait d'endommager l'appareil et d'annuler la garantie.

PRECAUCIÓN

Mantenga todos los objetos fuera de la parte superior de la bomba de calor. La obstrucción del flujo de aire podría dañar la unidad y anular la garantía.

5.1 Initial Start-up Precautions

Be sure that there is water in the pool and that the surface level is above the skimmer or other inlet of the pool's filter system.

With any new pool or spa installation, operate the filter pump with the heat pump off long enough to completely clean the water. This will remove any installation residue from the water.

Clean the filter at the end of this operation before starting the heat pump. When raising the temperature of a cold pool, program the time clock to run the pump continuously.

This lets the filter system and heat pump operate continuously until the water reaches the temperature setting on the temperature control. When that happens, the heat pump will automatically shut off, but the filter pump will keep running.

5.2 Operating the Controller

Your new EE-Ti heat pump is controlled by an advanced microprocessor based controller that provides a sophisticated yet simple interface to operate your heat pump for maximum efficiency and enjoyment of your pool. To locate the control buttons, see Figure 15.

5.2.1 Off Mode

When the control panel is turned off, the screen displays **HEAT PUMP IS OFF PRESS POOL OR SPA**.

5.2.2 Pool Mode - (Normal Heat)

To enable the pool mode, press **POOL**. The associated left green LED indicator will light and the unit will display **SET:XXX°**.

NOTE *XXX* represents the current temperature setting on the control. The default setting for pool temperature is 80°F (26°C).

You can change the temperature set point by

pressing the **Up** or **Down** button. Repeatedly press the **Up** or **Down** button until you reach the desired temperature set point. After 5 seconds of inactivity, the new set point is stored in memory.

When the water temperature falls to 1 degree below the temperature setting *and* after a 5 minute delay, the control will start the heat pump and the associated right LED will light RED.

5.2.3 Pool Mode - (Optional Maintain Heat)

If connected, the Maintain Heat mode allows the heat pump to monitor the temperature of the water 24 hours a day by turning the pool pump on and sampling the water temperature.

A Maintain Temp Relay is required (provided) and the feature must be enabled.

When the water temperature drops below the programmed temperature set point, the control will start the heat pump.

To operate in pool mode with the Maintain Heat feature, press **POOL**, then press **MENU**, press the **Down** button until **MAINTAIN POOL HEAT** is displayed, press the **MENU** button.

The associated left green LED indicator will light and the unit will display **SET:XXX°**. Change the temperature set point by pressing the **Up** or **Down** button until the desired set point is displayed. After 5 seconds of inactivity, the new set point is stored in memory.

5.2.4 Spa Mode - (Normal Heat)

To enable the spa mode, press **SPA**. The associated left green LED indicator will light and the unit will display **SET:XXX°**.

NOTE *XXX* represents the current temperature setting on the control. The default setting for spa temperature is 102°F (38°C).

You can change the temperature set point by pressing the **Up** or **Down** button. Repeatedly press the **Up** or **Down** button until you reach the desired temperature set point. After 5 seconds of inactivity, the new set point is stored in memory. When the water



Figure 15. Main Control Panel

temperature falls to 1 degree below the temperature setting *and* after a 5 minute delay, the control will start the heat pump and the associated right LED will light RED.

5.2.5 Spa Mode - (Optional Maintain Heat)

If connected, the Maintain Heat mode allows the heat pump to monitor the temperature of the water 24 hours a day by turning the spa pump on and sampling the water temperature.

A Maintain Temp Relay is required (provided) and the feature must be enabled.

To operate in spa mode with the Maintain Heat feature, press **SPA**, then press **MENU**, press the **Down** button until **MAINTAIN SPA HEAT** is displayed, press the **MENU** button. The associated left green LED indicator will light and the unit will display **SET:XXX°**. Change the temperature set point by pressing the **Up** or **Down** button until the desired set point is displayed. After 5 seconds of inactivity, the new set point is stored in memory.

5.3 Operating Features of Hybrid Units with Optional Chiller

NOTE The chiller is an optional equipment. Not all units are provided with chiller.

5.3.1 Pool Mode - (Normal Chill)

To enable the pool mode, press **POOL**. The associated left green LED indicator will light and the unit will display **SET:XXX°**.

NOTE *XXX* represents the current temperature setting on the control. The default setting for pool temperature is 80°F (26°C).

Press the **MENU** button. Press the **Up** or **Down** button until you reach **POOL CHILL**, press the **MENU** button.

NOTE **POOL CHILL** will not be displayed if the unit is not provided with chiller.

You can change the temperature set point by pressing the **Up** or **Down** button. Repeatedly press the **Up** or **Down** button until you reach the desired temperature set point. After 5 seconds of inactivity, the new set point is stored in memory. When the water temperature rises to 1 degree above the temperature setting *and* after a 5 minute delay, the control will start the heat pump and the associated right LED will light GREEN.

5.3.2 Pool Mode - (Optional Maintain Chill)

If connected, the Maintain Chill option mode allows the unit to monitor the temperature of the water 24 hours a day by turning the pool pump on and sampling the water temperature.

A Maintain Temp Relay is required (provided) and the feature must be enabled.

When the temperature of the water rises above the desired temperature setting, the control will then turn on the unit and the associated right green LED will light.

To operate in pool mode with the Maintain Chill feature, press **POOL**, then press **MENU**, then press the **Down** button until **MAINTAIN POOL CHILL** is displayed, press the **MENU** button. The associated left green LED indicator will light and the unit will display **SET:XXX°**. Change the temperature set point by pressing the **Up** or **Down** button until the desired set point is displayed. After 5 seconds of inactivity, the new set point is stored in memory.

5.3.3 Spa Mode - (Optional Maintain Chill)

If connected, the Maintain Chill mode allows the heat pump to monitor the temperature of the water 24 hours a day by turning the spa pump on and sampling the water temperature.

A Maintain Temp Relay is required (provided) and the feature must be enabled.

When the water temperature rises above the programmed temperature set point, the control will start the heat pump.

To operate in the spa mode with the Maintain Chill feature, press **SPA**, then press **MENU**, press the **Down** button until **MAINTAIN SPA CHILL** is displayed, press the **MENU** button. The associated left green LED indicator will light and the unit will display **SET:XXX°**. Change the temperature set point by pressing the **Up** or **Down** button until the desired set point is reached. After 5 seconds of inactivity, the new set point is stored in memory.

5.4 User Setup Options

The User Setup options allow the user to select specific Languages, Temperature Scale, Spa Timer, and Display Light options.

5.4.1 Language Setup

1. Make sure the control is in the **OFF** mode.
2. To enter the User Setup mode, press and hold the **MENU** button for 5 seconds.

NOTE The display will revert back to **OFF** after one minute since the last key press.

3. To select a language, use the **Up** or **Down** button to display **SELECT USER SETUP LANGUAGE**. Press the **MENU** button. The **SELECT LANGUAGE ENGLISH** (default language) appears, use the **Up** or **Down** button to scroll through the language options. When you reach the desired language, press the **MENU** button to select the language. Press **POOL** or **SPA** to exit the User Setup mode.

5.4.2 Temperature Scale Setup

1. Make sure the control is in the **OFF** mode.
2. To enter the User Setup mode, press and hold the **MENU** button for 5 seconds.
3. To select temperature scale, use the **Up** or **Down** button to scroll through to display **SELECT USER SETUP TEMPERATURE SCALE**. Press the **MENU** button. The **SELECT TEMP SCALE °F** (default temperature scale) appears, use the **Up** or **Down** button to scroll through the scale options. When you reach the desired temperature scale, press the **MENU** button to select. Press **POOL** or **SPA** to exit the User Setup mode.

5.4.3 Spa Timer Setup

1. Make sure the control is in the **OFF** mode.
2. To enter the User Setup mode, press and hold the **MENU** button for 5 seconds.
3. To select spa timer, use the **Up** or **Down** button to scroll through to display **SELECT USER SETUP SPA TIMER**. Press the **MENU** button. The **SELECT SPA TIMER CONTINUOUS** (default spa timer setting) is displayed. To turn the spa on or off indefinitely, press the **MENU** button to select.

To select the length of time for the spa to run, use the **Up** or **Down** button to scroll to display **SELECT SPA TIMER TIME SELECTION**. Press the **MENU** button to select. The display **SELECT SPA TIME 01:00 HRS** (default time setting) is displayed. Use the **Up** or **Down** button to select the length of time for the spa to run (between 00:15 to 23:00 hours incremented by 00:15 minutes). Press the **MENU** button to select how long the spa will run. Press **POOL** or **SPA** to exit the User Setup mode.

5.4.4 Display Light Setup

1. Make sure the control is in the **OFF** mode.
2. To enter the User Setup mode, press and hold the **MENU** button for 5 seconds.
3. To select display light setup, use the **Up** or **Down** button to scroll through to display **SELECT USER SETUP DISPLAY LIGHT**. Press the **MENU** button. The **SELECT DISPLAY LIGHT 2 MIN TIMEOUT** (default display light setting) is displayed. This option allows the display light to turn off after 2 minutes. Press the **MENU** button

to select. Use the **Up** or **Down** button to scroll to display **SELECT DISPLAY LIGHT LIGHT OFF**, this option allows the display light to turn off, press the **MENU** button to select. Use the **Up** or **Down** button to scroll to display **SELECT DISPLAY LIGHT LIGHT ON**, this option allows the display light to turn on, press the **MENU** button to select. Press **POOL** or **SPA** to exit the User Setup mode.

5.5 Set Point Lockout

Make sure the control is in the **ON** mode (**POOL** or **SPA**), press and hold the **Up** and **Down** buttons for 5 seconds. The set point will be locked and the control will operate in the mode it was in when the Set Point Lockout occurred. If an attempt to change the set point is made while the control is in Set Point Lockout, the control will display **SET POINT LOCKED**. To unlock the Set Point Lockout, press and hold the **Up** and **Down** buttons for 5 seconds. The unit will display **SET POINT UNLOCKED**.

5.6 Water Pressure Switch Adjustment

⚠ CAUTION

The water pressure switch should be adjusted to turn the heater off when the pump is off. Setting the switch to close at too low of a flow can damage the appliance. Adjust the switch to turn the heater off, not on.

⚠ ATTENTION

Le manoccontact de pression d'eau doit être réglé de façon à ce que l'appareil cesse de fonctionner si la pompe s'arrête. Si le manoccontact est réglé pour se fermer lorsque le débit d'eau est trop faible, l'appareil risque de s'endommager. Réglez le manoccontact pour qu'il arrête l'appareil, et non pour qu'il le mette en marche.

⚠ PRECAUCIÓN

El interruptor de la presión del agua, deberá ajustarse de forma que el calentador se apague cuando se apague la bomba. La calibración del interruptor para que pueda apagarse con flujos demasiado bajos podría estropear el equipo. Ajuste el interruptor para apagar el calentador, no para encenderlo.

The pressure switch is preset at the factory for activation at 2 psi (14 kPa). This is the minimum setting for the water pressure switch and works for

all basic installations as shown previously in Section 3.1 and Section 3.5 in this manual. Only adjust the water pressure switch if the heat pump does not operate *when the proper flow is applied to unit* or if the heat pump does not shut off when the filter pump is off. Occasionally, unusual plumbing configurations or necessary restrictions in the plumbing may cause pressure sensing problems. In these rare situations, the plumbing system configuration may require adjustment of the water pressure switch.

Adjustment of the pressure switch may be necessary if any part of the filter system piping is 3 feet (1 m) or more above the top of the heat pump jacket.

Do not adjust the pressure switch if the heat pump is installed more than 5 feet (1.5 m) above or 10 feet (3 m) below the pool surface. Consult your local Zodiac dealer for recommendations.

NOTE If the heat pump is installed more than 5 feet (1.5 m) above or 10 feet (3 m) below the pool surface a flow switch must be used. Please order Zodiac p/n R0509700.

On some installations, the piping from the heat pump to the pool is very short. The back pressure could be too low to trigger the pressure switch. If this happens, it may be necessary to install a directional fitting or elbows where the return line enters the pool. This will increase back pressure enough for the heat pump to operate properly. If this configuration is necessary, be sure to check that the system flow is above the minimum requirement of 30 gpm (114 lpm) after the direction fitting or elbow has been installed.

Make sure the pool filter is clean before making any pressure switch adjustment: A dirty filter will restrict the water flow and the pressure switch cannot be adjusted properly.

To adjust the pressure switch:

1. Be sure that all valves in the system are set to allow water flow through the heat pump. Start the filter pump.
2. Set the heat pump control to call for heat. Set the heat pump control to the **POOL HEAT** mode.
3. If the heat pump control displays "NO FLOW", then the flow in the system may be below the minimum flow of 30 gpm (114 lpm) needed for the safe operation of the heat pump. Investigate and correct any flow problems before adjusting the water pressure switch.
4. Remove the heat pump's control access panel. The water pressure switch is located in the lower left corner of the control compartment.
5. After confirming the flow rate is at a minimum of 30 gpm (114 lpm), slowly rotate the thumb wheel on the water pressure switch in a **counterclockwise** direction until the "NO FLOW" indicator disappears from the control display. Remember that there is a time delay before the

heat pump compressor will start.

6. Once the heat pump is running, turn off the filter pump. The heat pump should turn off immediately.
7. If the heat pump continues to operate when the filter pump is off, turn the thumb wheel on the water pressure switch in a **clockwise** direction until “NO FLOW” is displayed on the control and the heat pump shuts down.
8. Check the setting of the water pressure switch by starting and stopping the filter pump and checking the control display and operation of the heater between each flow change.
9. If the water pressure switch cannot be adjusted to accommodate the conditions listed above, an external flow switch must be added to the plumbing system to ensure that the heat pump will not operate without the proper flow through the heat exchanger.

Section 6. General Maintenance

6.1 Water Chemistry

Proper chemical balances are necessary for sanitary bathing conditions as well as ensuring your heat pump's long life. Be sure to keep your chemical and mineral concentration levels within the values indicated in Table 3.

NOTE For spas, it is also necessary to perform water changes in addition to chemical treatment. It is recommended to change the spa water every 60 days for light usage and every 30 days if usage is heavy.

6.2 Winterizing

⚠ CAUTION

Failure to winterize could cause damage to the heat pump and will void the warranty.

⚠ ATTENTION

La garantie sera annulée si l'appareil n'est pas hivernisé convenablement.

⚠ PRECAUCIÓN

La falta de acondicionamiento de la bomba de calor para el invierno podría causar daños y anular la garantía.

In areas where freezing temperatures occur, you should protect your pump, filter, and heat pump from the elements. Perform the following steps to completely drain the heat pump (see Figure 16).

1. Turn off the electrical power to the heat pump at the main breaker panel.
2. Shut off the water supply to the heat pump.
3. Disconnect the water inlet and outlet unions located on the lower front panel of the heat pump. The heat exchanger will drain through these water connections.

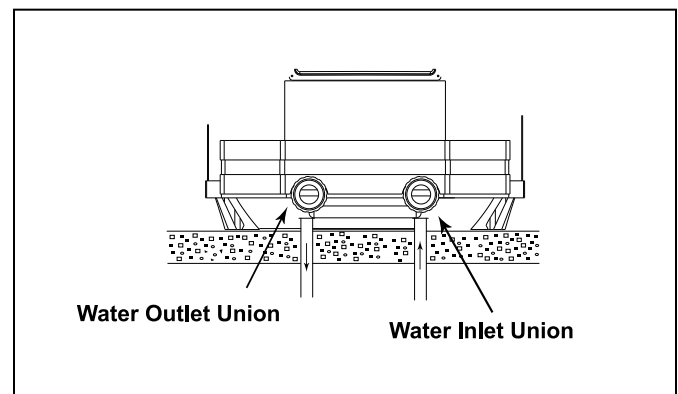


Figure 16. Winterizing the EE-Ti Heat Pump

Table 3. Optimal Water Chemistry Ranges

Test	Recommended Level
Free Chlorine or Bromine	1.0 to 3.0 ppm
pH	7.2 to 7.8 (Ideal ranges being between 7.4 and 7.6)
Total Alkalinity (TA)	80 to 120 ppm
Calcium Hardness (CH)	175 to 400 ppm
Cyanuric Acid	30 to 50 ppm
Total Dissolved Solids (TDS)	1000 to 2000 ppm (Excluding dissolved NaCl from Salt Chlorine Generator)

* Concentration levels taken from “Basic Pool and Spa Technology” published by APSP (Association of Pool and Spa Professionals).

- Cover only the top of the heat pump to prevent debris from falling into the unit. Do not wrap the sides of the heat pump with any plastic or other material that will retain heat or moisture inside the unit.

6.3 Spring Start-Up

If your heat pump has been winterized, perform the following steps when starting the system in the Spring:

- Uncover the heat pump and inspect the top and sides for any debris or structural problems.
- Connect the water inlet and outlet unions located on the lower front panel of the heat pump.
- Turn on the filter pump to supply water to the heat pump. Circulate water through the system long enough to cycle all of the pool water through the filter. Check for leaks in and around the heat pump.
- Check the pool chemistry and balance as necessary.
- Turn on the electrical power to the heat pump at the main breaker panel.

6.4 Inspection and Service

Zodiac heat pumps are designed and constructed to provide long performance life when installed and operated properly under normal conditions. Periodic inspections are important to keep your heat pump running safely and efficiently through the years.

6.4.1 Owner Inspection

CAUTION

Do not use this heat pump if any part has been under water. Immediately call a qualified service technician to inspect the heater and replace any part of the control system which has been under water.

ATTENTION

N'utilisez pas cet appareil s'il a été plongé dans l'eau, même partiellement. Faites inspecter l'appareil par un technicien qualifié et remplacez toute partie du système de contrôle et toute commande qui ont été plongés dans l'eau

PRECAUCIÓN

No utilice esta bomba de calor si algunos de sus componentes han estado debajo del agua. Póngase inmediatamente en contacto con un técnico de mantenimiento cualificado para que inspeccione el equipo y reemplace cualquier parte del sistema de control que haya estado debajo del agua.

Zodiac recommends that you inspect your heat pump on a regular basis and especially after abnormal weather conditions. The following basic guidelines are suggested for your inspection:

- Keep the top and surrounding areas of the heat pump clear of all debris.
- Keep all plants and shrubs trimmed and away from the heat pump.

The heat pump will produce condensation (water) while in operation. The heat pump base is designed to allow the condensation to exit through the bottom drain port when the unit is running. The condensation will increase as the outdoor air humidity level increases. Check the following at regular intervals to ensure proper condensate drainage:

- Visually inspect and clear the bottom drain ports of any debris that could clog the ports.
- Ensure that condensate water does not puddle inside the heat pump
- Ensure that condensate run-off is properly directed away from the equipment pad to keep it from undermining the pad.

During normal operation, the heat pump produces 3 to 5 gallons of condensate per hour. If condensate drainage is above this range during operation or if water continues to drain from the base when the heat pump is not in operation for more than an hour, a leak in the internal plumbing may have occurred. Call a qualified heat pump technician to investigate the problem.

Keep the top air flow discharge and air flow intake area clear of debris so the air flow through the heat pump is not restricted. The cooler discharge air from the top should not accumulate and be drawn into the side air intake coils. Keep all plants and shrubs trimmed away from the heat pump.

Make sure the front of the unit is accessible for future service.

Keep lawn sprinkler heads from spraying on the heat pump to prevent corrosion and damage. Use a deflector if needed.

If the unit is installed under a very sharp roof pitch or under a roof without a gutter, a gutter or diverter should be fitted to prevent excessive water from pouring down into the unit.

6.4.2 Professional Inspection

Inspections performed at least once a year by a qualified technician are required to maintain your heat pump's safe and efficient operation. The following basic safety checks must be performed.

- Check for loose or broken wires and terminal connections.
- Verify the pressure switch or flow switch operation. Turn the heat pump OFF. Disconnect the power to the pump time clock, or turn the

pump time clock to an OFF position. Turn the heat pump back ON. The heat pump must not come on.

3. Inspect the electrical controls, specifically the following:
 - a. High and Low Limits
 - b. Pressure Switch or Flow Switch
 - c. Temperature Control
4. Inspect the evaporator coil for blockage and clean as necessary.
5. Check for spider webs or debris in the condensate drain; clean if necessary.
6. Conduct a normal operating cycle and observe that the unit operates properly.

Section 7. Professional Maintenance and Service

7.1 Heat Pump Design

The Zodiac heat pump is one of the most efficient ways to heat a pool or spa. The heat pump transfers heat from the outside air to the pool or spa water by means of an internal heat exchanger.

When the fan is turned on, warm air is drawn through the refrigerant charged evaporator, turning the cold liquid refrigerant to a warm gas. The gas then flows through the compressor where it is compressed resulting in a much higher temperature.

The hot gas enters the heat exchanger where the water extracts the heat. The pump pulls in cool pool water, which in turn converts the hot gas back into a liquid refrigerant and starts the cycle over again.

The EE-Ti heat pump uses a refrigerant called R-410A. It is a non-ozone depleting refrigerant that is accepted by the EPA. R-410A has higher operating pressures and cooling capabilities than R-22, which is the refrigerant used in the AE-Ti heat pump. Therefore, R-410A should NEVER be used in any of the AE-Ti heat pumps.

The EPA requires certification to purchase or use R-410A. It is recommended that service personnel be trained in installation, service, brazing, and maintenance procedures. They are similar to what the industry has used for the R-22 system, however, they should be redefined for the higher operating pressures.

NOTE The maximum heat output and efficiency of a heat pump is dependent upon the quality and performance of the major components used. Equally important are the environmental conditions (for example, air temperature, humidity, water temperature, and wind).

7.2 Heat Pump Components and Operation

Evaporator - As air passes through the evaporator, the refrigerant in the evaporator absorbs heat from the ambient air. The warmer the ambient air and the larger the surface area of the evaporator the more heat it can collect.

Fan - The heat pump fan produces high volume airflow. Adequate airflow is required to move warm air through the large evaporator.

Compressor - The compressor compresses the refrigerant gas to a higher pressure, increasing the temperature.

Heat Exchanger - As the final step to the heating process, the heat exchanger transfers the heat from the hot gas to the water. (Also known as a condenser.)

Reversing Valve - (For Hybrid Units with Optional Chiller and Hot Gas Defrost) The reversing valve reverses the flow of the refrigerant, which results in transferring cold gas to the water, thus lowering the temperature.

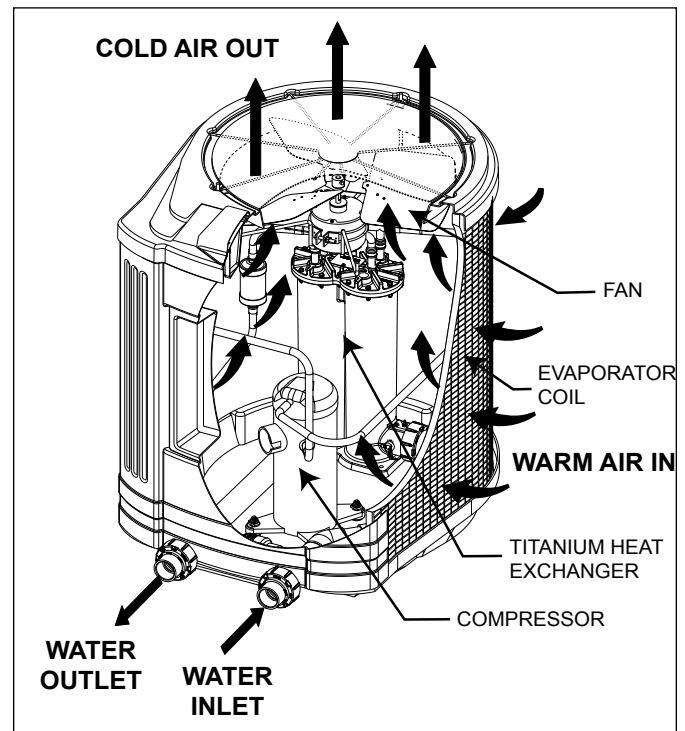


Figure 17. Heat Pump Operation Overview

Section 8. Troubleshooting

8.1 Troubleshooting Guide

The following table provides symptoms and solutions for general troubleshooting problems for the heat pump.

Table 4. Heat Pump Troubleshooting Guide

SYMPTOM	CORRECTIVE ACTION
Heat pump will not start, no control board display.	Breaker or fuse may be tripped. Reset breaker or check fuse. If heat pump still does not run, call for service. Three-phase models only - The phases may be reversed or there may be a loss of phase, call for service.
Heat pump will not start, control board display working.	Heat pump may be in delay count down of 5 minutes. Make sure control board thermostat is calling for heater to come on (check setting on thermostat and temperature reading). Make sure heat pump is not in cooling mode.
Heat pump runs but does not heat.	Verify cold air is blowing out the top of the heat pump. If the heat pump has just been installed or if the pool water has been allowed to cool significantly, it is necessary to run the heat pump continually for 24-48 hours. If the heat pump has been in operation for some time, increase the circulating pump time, or switch the control board to Maintain Heat function. If heating a spa, verify no air intake stand pipes are open. If heat pump still does not heat, call for service.
Heat pump does not run and control board displays: FAULT- NO FLOW	Verify circulating pump is on and all necessary valves are in the correct positions. Verify filter and skimmers are clean. Check water level in pool. Temporarily turn off all fountains and water falls that bypass the heat pump water inlet. If this does not correct the problem, call for service.
Heat pump does not run and control board display shows: FAULT- HIGH REF PRESSURE	Verify circulating pump is on and that there are no water flow restrictions to the heat pump. Make sure all necessary valves are open or in the proper positions to allow proper water flow to the heat pump. Verify filter and skimmers are clean. Check for water level in the pool. This condition may also appear if the heat pump has not been operated for an extended period. To clear the condition, cycle the heat pump, on and off, up to 3 times. If this does not correct the problem, call for service.
Heat pump does not run or short cycles and control board display shows: FAULT- LOW REF PRESSURE	Check that fan is operating and air is coming out of the top of the heat pump, while short cycling. If heat pump does not run at all, call for service.
Heat pump leaking water.	Possible heat exchanger or plumbing leak. Turn the heat pump off, then turn circulating pump off for at least one hour to see if the water leak stops. If the water leak stops, normal condensation is occurring. If the water leak continues, after the heat pump is shut off for at least one hour, call for service.

8.2 Diagnostics

In the event a pressure switch opens or another fault condition occurs, the LCD screen will display the fault until the problem has been resolved. Please refer to the following table for the list of diagnostic conditions.

Table 5. Heat Pump Diagnostics

DIAGNOSTIC CONDITION	DESCRIPTION
FAULT- NO FLOW	<p>Low or restricted water flow through the heat pump.</p> <p>The external bypass valve is in the wrong position, or the water flow switch has malfunctioned. The water flow switch opens creating a fault and the heat pump shuts off.</p>
FAULT- LOW REF PRESSURE	<p>When the ambient temperature is low, the suction pressure can drop significantly.</p> <p>This fault will cause the low pressure switch to open and the control will shut off the compressor.</p>
FAULT- HIGH REF PRESSURE	<p>When the head pressure builds too high, the high pressure switch will open causing the heat pump to shut off immediately.</p> <p>The control will sense this fault condition and shut off the compressor until the switch re-closes.</p>
FAULT- HIGH WATER TEMP	<p>When the POOL or SPA water temperature heats to the maximum allowed temperature or above, there could be safety risks for anyone in the water.</p> <p>The water thermostat will read this temperature and the control will shut off the heat pump unless it is in CHILLER mode.</p> <p>This feature also remains active when the control calls for heat through a remote thermostat. This is to insure that water temperature does not go to an abnormally high level due to a possible malfunction of the remote sensor.</p>
FAULT- SHORTED COIL SENSOR -or- FAULT- OPEN COIL SENSOR	<p>In the event that the coil temperature sensor malfunctions or is not connected the control will shut off the heat pump.</p>
FAULT- SHORTED WATER SENSOR -or- FAULT- OPEN WATER SENSOR	<p>In the event that the water temperature sensor malfunctions or is not connected the control will shut off the heat pump.</p>

Section 9. Replacement Parts

9.1 Ordering Information

To order or purchase parts for the EE-Ti models of heat pumps, contact your nearest Zodiac dealer or distributor. See the Zodiac web site at www.Zodiac.com for the nearest service center. If they cannot supply you with what you need, contact Zodiac customer support department, telephone (800) 822-7933.

9.2 Zodiac EE-Ti Heat Pumps Parts List

Key No.	Description	Model No.	Order Part No.	Key No.	Description	Model No.	Order Part No.
1	Top Enclosure, Jacket	1500	R3009700	29*	Heat Pump Drain Kit	All	R3004100
1	Top Enclosure, Jacket	2000, 2500, 3000	R3009100	30	Junction Box Cover	All	R3004600
2	Service Access Panel	All	R3000500	31	Power Interface PCB	All	R3009200
3	Control Cover - Smoked	All	R3000601	32	Fan Relay	All	R3009300
4	Fan Motor, 1/6 HP, 230 VAC	1500	R3000703	33	Filter Drier, 164s	1500	R0490904
4	Fan Motor, 1/2 HP, 230 VAC	2000, 2500, 3000	R3000701	33	Filter Drier, 165s	2000, 2500, 3000	R0490905
5	Contact, 1-Phase	All	R3000801	33	Filter Drier, 165s Bi-Flow	2500R, 3000R	R0490906
5	Contact, 3-Phase	2000, 2500, 3000	R3000802	34*	Bypass Valve Assy	All	R3001900
6	Transformer, 240V 24VA	All	R3000901		Optional Components		
7	Adjustable Water Pressure Switch	All	R3001000	35*	Plast-aid Repair Kit	All	R0490800
8	Capacitor, Fan Motor, 3/370 MFD	1500	R3001101	36*	Hard Start-up Kit	1500	R0528300
8	Capacitor, Fan Motor, 7.5/370 MFD	2000, 2500, 3000	R3001100	37*	Flow Switch	All	R0509700
9	Capacitor, Compressor, 60/370 (1 PH Only)	1500	R3001204				
9	Capacitor, Compressor, 80/370 (1PH Only)	2000, 2500, 3000	R3001203		* Not Shown		
10	Controller Assembly, Universal	All	R3008800				
11	Refrigerant HP Switch, 650-460 psig	All	R0509900				
12	Refrigerant LP Switch, 58-127 psig	All	R0510001				
12	Refrigerant LP Switch, 35-74 psig	2500R,3000R	R0510002				
13	Wire Harness Kit (Not Shown)	All	R3009000				
14	Fan Blade Set	1500	R3001701				
14	Fan Blade Set	2000, 2500, 3000	R3001700				
15	Fan Guard	1500	R3001801				
15	Fan Guard	2000, 2500, 3000	R3001800				
16	Plumbing Tree Assy	1500	R0561601				
16	Plumbing Tree Assy	2000, 2500, 3000	R0561602				
17	Universal Union, Buttress Set	All	R0472700				
18	Evaporator Coil/Guard	1500	R0510201				
18	Evaporator Coil/Guard	2000	R0510202				
18	Evaporator Coil/Guard	2500	R0510203				
18	Evaporator Coil/Guard	3000	R0510204				
20	Heat Exchanger Replacement Kit, 1X8	1500	R0561405				
20	Heat Exchanger Replacement Kit, 2X6	2000	R0561406				
20	Heat Exchanger Replacement Kit, 2X7	2500	R0561407				
20	Heat Exchanger Replacement Kit, 2X8	3000	R0561408				
21	Compressor (40K), 1-Phase	1500	R0510300				
21	Compressor (61K), 1-Phase	2000	R0510400				
21	Compressor (68K), 1-Phase	2500	R0510500				
21	Compressor (83K), 1-Phase	3000	R0510600				
21	Compressor (61K), 3-Phase	2000	R0510900				
21	Compressor (68K), 3-Phase	2500	R0510700				
21	Compressor (83K), 3-Phase	3000	R0510800				
22*	Thermal Expansion Valve, 4 Ton	1500	R0509501				
22*	Thermal Expansion Valve, 7 Ton	2000	R0509502				
22*	Thermal Expansion Valve, 8 Ton	2500	R0509503				
22*	Thermal Expansion Valve, 8 Ton	3000	R0509504				
23	9 Inch Receiver	All	R0522500				
24	Water Temperature Sensor	All	R3002900				
25*	3-Phase Monitor (3-Phase Models Only)	2000, 2500, 3000	R3003000				
26	Air Temperature Sensor	All	R3003100				
27*	Reversing Valve (Optional)	2500R, 3000R	R3003801				
28*	Anchor Bracket Set	All	R3003203				

9.3 Zodiac EE-Ti Heat Pumps Exploded View

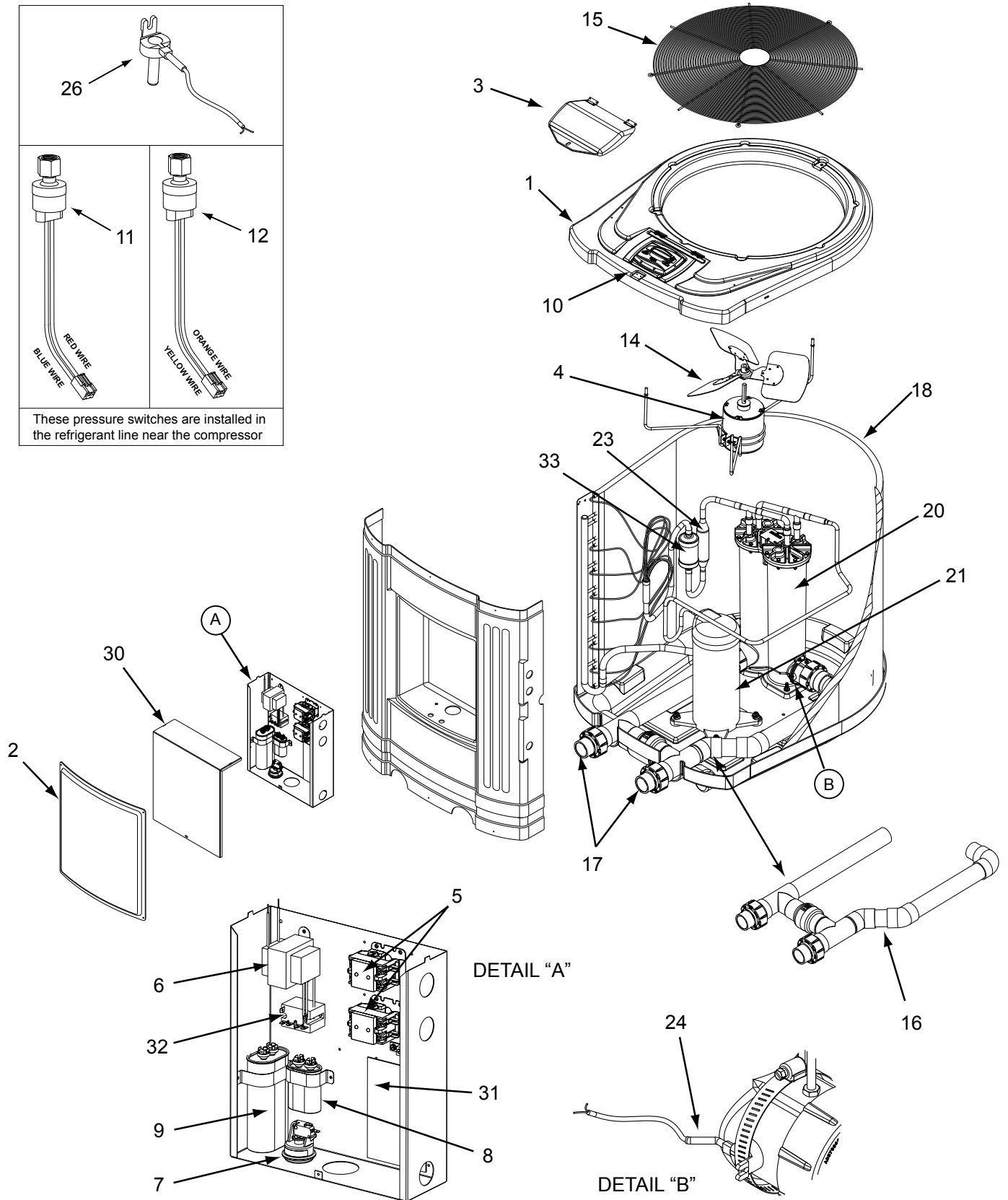


Figure 18. Zodiac EE-Ti Heat Pumps Exploded View (EE2000 Shown)

Zodiac Pool Systems, Inc.
2620 Commerce Way, Vista, CA 92081
1.800.822.7933 | www.ZodiacPoolSystems.com



*ZODIAC® is a registered trademark of Zodiac International, S.A.S.U., used under license.
All trademarks referenced herein are the property of their respective owners.*

©2012 Zodiac Pool Systems, Inc. H0335800 Rev H 1206



Thermopompes Jandy® Modèle EE-Ti



ADVERTENCIA

POUR VOTRE SÉCURITÉ - L'installation et l'entretien de ce produit doivent être effectués par un technicien agréé en chauffage, ventilation et climatisation, et qualifié pour la réparation et l'entretien des pompes thermiques par la juridiction où ledit produit est installé lorsque de telles exigences locales ou provinciales ont été édictées. Le technicien doit posséder toutes les accréditations requises et se conformer à toutes les réglementations concernant l'achat, la manutention, le transport et la récupération du réfrigérant R410A. Si aucune exigence locale ou provinciale n'est disponible, l'agent d'installation ou d'entretien doit être un professionnel avec suffisamment d'expérience dans l'installation et la maintenance d'équipements de piscine pour appliquer correctement les consignes du présent manuel. Avant d'installer ce produit, lisez et respectez toutes les consignes de mise en garde et les instructions incluses avec ce produit. Le non-respect des avertissements et des instructions pourrait résulter en des dommages matériels, des blessures ou même la mort. L'installation et/ou l'utilisation inappropriées peuvent créer un danger électrique pouvant causer des blessures graves, des dommages matériels ou même la mort. L'installation et/ou l'utilisation inappropriées annuleront la garantie.

Table des matières

Section 1. Informations générales35	
1.1 Introduction 35	
1.2 Information et sécurité pour le consommateur 35	
1.2.1 Règles de sécurité des spas..... 35	
1.2.2 Conseils d'économie d'énergie pour piscine 36	
1.3 Garantie 36	
1.4 Codes et normes 36	
1.5 Assistance technique 36	
1.6 Matériel nécessaire pour l'installation 37	
1.6.1 Matériel pour toutes les Installations 37	
1.6.2 Matériel recommandé pour les Installations 37	
1.7 Spécifications 37	
1.7.1 Spécifications générales 37	
1.7.2 Dimensions 37	
1.7.3 Spécifications techniques 37	
Section 2. Guide d'Installation37	
2.1 Information générale 37	
2.2 Exigences d'emplacement 37	
2.2.1 Introduction 37	
2.2.2 Dégagements 39	
2.2.3 Massif d'équipement 39	
2.2.4 Condensation et drainage 39	
2.2.5 Gicleurs à gazon 40	
2.2.6 Écoulement du toit 40	
2.2.7 Installation de pinces d'ancrage 40	
Section 3. Raccordements d'eau40	
3.1 Disposition de la plomberie 40	
3.2 Raccordements d'eau à la thermopompe 41	
3.3 Installation du clapet antiretour 41	
3.4 Robinet de réglage automatique 41	
3.5 Installation d'unités multiples 41	
3.5.1 Combinaison thermopompe et chauffage 41	
3.5.2 Raccordements multiples de thermopompes 42	
Section 4. Raccordements Électriques42	
4.1 Information Générale 42	
4.2 Alimentation principale 42	
4.3 Liaison électrique 42	
4.4 Connexion de Pompe (Fonction de Maintien de Température) 48	
4.5 Commandes à Distance en Option..... 48	
4.5.1 Connexion à un Sélecteur Pool-Off-Spa (Piscine-Arrêt-Spa) à Distance (Connexion à 3-fils) 48	
4.5.1.1 Installer le Sélecteur Pool-Off-Spa à Distance 48	
4.5.1.2 Configurer le Tableau de Commande .. 48	
4.5.2 Branchement à Deux Fils à un AquaLink® RS ou TSTAT 48	
4.5.2.1 Configurer le système de commande de AquaLink RS 48	
4.5.2.2 Installer le TSTAT à Distance 48	
4.5.2.3 Configurer le Tableau de Commande .. 49	
4.5.3 Branchement à quatre fils à AquaLink® RS 485 Communication 49	
4.5.4 Connexion à une Interface d'Utilisateur Secondaire 50	
Section 5. Fonctionnement51	
5.1 Précautions de Démarrage Initial 51	
5.2 Faire Fonctionner le Contrôleur 51	
5.2.1 Mode Arrêt 51	
5.2.2 Mode Piscine - (Chaleur Normale)..... 51	
5.2.3 Mode Piscine - (Maintien de Chaleur en Option) 51	
5.2.4 Mode Spa - (Chaleur Normale)..... 52	
5.2.5 Mode Spa - (Maintien de Chaleur en Option) 52	
5.3 Fonctions d'Utilisation d'Unités Hybrides avec Refroidisseur en Option 52	
5.3.1 Mode Piscine - (Refroidissement Normal) . 52	
5.3.2 Mode Piscine - (Maintien du Refroidissement en Option) 52	
5.3.3 Mode Spa - (Maintien de Refroidissement en Option) 52	
5.4 Options Configuration Utilisateur 53	
5.4.1 Configuration de la Langue..... 53	
5.4.2 Configuration de l'Echelle de Température..... 53	
5.4.3 Configuration de la Minuterie du Spa 53	
5.4.4 Configuration de l'Eclairage de l'Affichage 53	
5.5 Verrouillage du Point de Consigne 54	
5.6 Réglage du pressostat à eau 54	
Section 6. Maintenance Générale55	
6.1 Composition chimique de l'eau 55	
6.2 Préparation pour l'hiver 55	
6.3 Démarrage au printemps 55	
6.4 Inspection et entretien 55	
6.4.1 Inspection par le propriétaire 55	
6.4.2 Inspection par un professionnel 56	

Section 7. Maintenance et réparations par un professionnel56

- 7.1 Conception de la thermopompe 56
- 7.2 Composants et fonctionnement de
la thermopompe 57

Section 8. Dépannage58

- 8.1 Guide de dépannage 58
- 8.2 Diagnostics 59

Section 9. Pièces de rechange60

- 9.1 Comment commander 60
- 9.2 Liste de pièces des thermopompes
Jandy EE-Ti 60
- 9.3 Diagramme éclaté de thermopompes
Jandy EE-Ti 61

Figures et tableaux

Figure 1. Dimensions des thermopompes Jandy EE-Ti39	Tableau 1. Spécifications Techniques de la thermopompe EE-Ti38
Figure 2. Positions des pinces d'ancrage41	Tableau 2. Dégagements de la thermopompe.....39
Figure 3. Installation de pinces d'ancrage41	Tableau 3. Plages optimales de la composition chimique de l'eau55
Figure 4. Disposition de la plomberie standard43	Tableau 4. Guide de dépannage de la thermopompe 58
Figure 5. Plomberie pour les installations de système de chauffage43	Tableau 5. Diagnostic de la thermopompe59
Figure 6. Agencement de plomberie de pompe de chauffage deux (2)44	
Figure 7. Disposition de plomberie à quatre (4) thermopompes44	
Figure 8. Diagramme de câblage électrique monophasé pour EE-Ti45	
Figure 9. Diagramme de câblage électrique triphase pour EE-Ti46	
Figure 10. Exemple de câblage de "MAINTENIR TEMP" vers l'horloge.47	
Figure 11. Vue avant de la thermopompe EE-Ti47	
Figure 12a. Connexion à un sélecteur Pool-Off-Spa (Piscine-Arrêt-Spa) à distance (Connexion à 3-fils).....48	
Figure 12b. Connexion à AquaLink® RS ou TSTAT à distance (Connexion à 2 fils) 48	
Figure 13. AquaLink RS à la thermopompe EE-Ti ...49	
Figure 14. Branchement de la thermopompe EE-Ti au centre d'alimentation50	
Figure 15. Panneau de commande principal51	
Figure 16. Hivernage de la thermopompe EE-Ti56	
Figure 17. Aperçu de l'utilisation de la thermopompe57	
Figure 18. Vue éclatée des thermopompes Jandy EE-Ti (EE2000 illustré)61	

Section 1. Informations générales

1.1 Introduction

Ce guide fournit les instructions d'installation et d'utilisation pour les modèles Jandy EE-Ti de thermopompes. Lire ces instructions d'installation et d'utilisation au complet avant de procéder à l'installation. Consulter Zodiac Pool Systems Inc ("Zodiac"), ou un représentant local pour toute question concernant cet équipement. Pour obtenir les copies supplémentaires de ce manuel, communiquez avec nous en composant le 800-822-7933. L'adresse pour obtenir de l'information est la suivante :

Zodiac Pool Systems, Inc.
2620 Commerce Way
Vista, CA 92081 USA

La thermopompe EE-Ti reçoit le courant électrique d'une source extérieure et fournit un système de thermostat à commande numérique pour les combinaisons piscine et spa ou pour une facilité de préchauffage.

Cette thermopompe est spécifiquement conçue pour le chauffage de piscines et de spas à eau douce. Ne pas l'utiliser comme appareil de chauffage de service général. Consulter votre revendeur pour les produits Jandy correspondants à ces autres applications.

REMARQUE "Les piscines et spas à eau douce" comprennent les systèmes qui utilisent des unités de chlorinateur d'eau salée, telles que le système de purification d'eau Jandy AquaPure® Electronic Chlorine Generator. S'assurer que la salinité de la piscine ou du spa *n'exécède pas* 4000 ppm et que le débit d'eau est entre 30 et 125 gpm (110 à 475 lpm).

ATTENTION

L'installation et l'entretien doivent être effectués par un installateur qualifié ou une agence de service après-vente.

À l'installateur :



Après l'installation, ces instructions doivent être remises au propriétaire ou laissées sur ou à proximité de la thermopompe.

À l'utilisateur :

Ce manuel contient des informations importantes qui vous aideront à utiliser et à assurer l'entretien de cette thermopompe. Veuillez le conserver pour référence future.

1.2 Information et sécurité pour le consommateur

La série EE-Ti des thermopompes est conçue et fabriquée pour fournir de nombreuses années de service sécuritaire et fiable quand vous l'installez, l'utilisez et l'entretenez conformément à ce guide et aux codes d'installation dont il est fait référence dans les sections plus loin. À travers le guide, des avertissements de sécurité et des avis de précaution sont identifiés par le symbole "⚠". Assurez-vous de lire et de vous conformer à tous les avertissements et avis de précaution.

1.2.1 Règles de sécurité des spas

⚠ AVERTISSEMENT

La Commission U.S. de Sécurité des Produits pour les Consommateurs indique que des températures de l'eau élevées peuvent être dangereuses. Voir la notice d'installation et de fonctionnement pour le réglage de la température.

⚠ AVERTISSEMENT

Les Règlements suivants pour Cuves Thermales, tel que recommandés par la Commission U.S. de Sécurité des Produits pour les Consommateurs, devraient être respectés lors de l'utilisation du spa.

1. La température de l'eau dans les spas ne doit jamais dépasser 40 °C. Trente-huit degrés Celsius (38 °C) est considéré sécuritaire pour un adulte en bonne santé. Des précautions particulières sont recommandées pour de jeunes enfants.
2. La consommation de boissons alcoolisées avant ou pendant l'utilisation du spa peut entraîner la somnolence pouvant provoquer une perte de conscience et donc le noyage.
3. **Avis aux femmes enceintes!** Se baigner dans de l'eau supérieure à 38,5 °C peut causer des lésions fœtales pendant les trois premiers mois de grossesse (qui pourrait résulter en des lésions cérébrales ou des déformations chez l'enfant). Les femmes enceintes qui souhaitent utiliser un spa devraient s'assurer que la température de l'eau est inférieure à 38 °C au maximum.
4. La température de l'eau devrait toujours être vérifiée à l'aide d'un thermomètre précis avant d'entrer dans le spa. Les réglages de température peuvent varier d'environ 1°C.
5. Les personnes ayant des antécédents médicaux de maladie du cœur, de diabète, de problèmes circulatoires ou de pression sanguine devraient consulter leur médecin avant d'utiliser un spa.

6. Les personnes prenant des médicaments qui provoquent de la somnolence (par ex., tranquillisants, antihistaminiques ou anticoagulants) ne devraient pas utiliser des spas.
7. L'immersion prolongée dans de l'eau chaude peut induire de l'hyperthermie.

L'hyperthermie survient lorsque la température interne du corps atteint un niveau de plusieurs degrés au-dessus de la température normale du corps de 37 °C (98,6°F). Les symptômes comprennent le vertige, l'évanouissement, la somnolence, la léthargie et l'augmentation de la température interne du corps. Les effets de l'hyperthermie comprennent :

- Absence de conscience d'un danger imminent
- Incapacité de sentir la chaleur
- Incapacité à reconnaître la nécessité de sortir du spa
- Inaptitude à quitter le spa
- Lésions fœtales chez la femme enceinte
- Perte de conscience entraînant un risque de noyade

1.2.2 Conseils d'économie d'énergie pour piscine

Il est important de prendre note qu'une thermopompe ne chauffera pas la piscine aussi vite qu'un chauffage de piscine à gaz ou électrique. Si on laisse l'eau de piscine refroidir considérablement, plusieurs jours seront nécessaires pour retrouver la température de baignade souhaitée. En fin de semaine, il est *plus économique* de garder la température de l'eau de piscine à un niveau égal ou proche à la température de baignade désirée. Si vous ne planifiez *pas* utiliser votre piscine pendant une période de temps prolongée, vous pouvez alors complètement éteindre la thermopompe *ou* de baisser le réglage de température sur le panneau de commande de plusieurs degrés pour minimiser la consommation de l'énergie.

Zodiac propose les recommandations suivantes pour aider à conserver l'énergie et à minimiser le coût d'utilisation de la thermopompe sans sacrifier le confort.

1. La Croix Rouge Américaine recommande une température d'eau maximale de 25 °C. Utiliser un thermomètre à piscine précis. Une différence de 2°C, entre 26°C et 28°C, diminuera significativement la consommation d'énergie.
2. Surveiller attentivement la température de l'eau de votre piscine pendant l'été. Vous pouvez réduire l'usage de la thermopompe grâce aux températures plus chaudes.
3. Pendant l'hiver ou lorsque vous êtes en vacance pendant plus d'une semaine, arrêter la thermopompe.

4. Trouver le réglage approprié sur la commande de température de thermopompe et utiliser le verrouillage du point de consigne ou verrouiller le couvercle sur le contrôleur de la thermopompe pour empêcher de d'autres ajustements.
5. Régler l'horloge de la pompe pour qu'elle démarre la pompe à 6h00 du matin au plus tôt pendant la saison de chauffage de la piscine. C'est le moment où la perte de chaleur nocturne s'équilibre.
6. Si possible, protéger la piscine des vents persistants à l'aide de haies bien coupées ou autres aménagement paysager, cabines de plage ou clôtures.
7. Utiliser toujours une couverture de piscine quand c'est pratique. En plus de fournir une caractéristique sécuritaire de qualité, une couverture de piscine réduira les coûts, conservera les produits chimiques et réduira la charge sur les systèmes de filtrage.

1.3 Garantie

La thermopompe EE-Ti est vendue avec une garantie limitée d'usine. Les détails sont précisés sur la couverture arrière de ce guide.

Faites toutes les réclamations de garantie auprès du revendeur agréé Jandy ou directement auprès de Zodiac. Les réclamations doivent inclure les numéros de série et de modèle de la thermopompe (cette information se trouve sur la plaque signalétique), la date d'installation et le nom de l'installateur. Les coûts d'expédition ne sont pas couverts par la garantie.

La garantie ne couvre pas les dommages causés par un montage, une installation, une utilisation, un hivernage, une modification du terrain inappropriés ou une mauvaise protection électrique et la mise à la terre de l'unité. Tous changements à la thermopompe, à l'évaporateur, à l'échangeur de chaleur, au câblage ou à l'installation inappropriée pourraient annuler la garantie.

1.4 Codes et normes

La thermopompe EE-Ti est reconnue par l'ETL comme étant conforme à la dernière édition du « UL Standard for Safety for Heating and Cooling Equipment », UL 1995 et CSA C22.2 No. 236.

Toutes les thermopompes Jandy doivent être installées conformément aux codes provinciaux du bâtiment et des installations tels qu'exigés par les autorités de tutelle. Tous les codes locaux ont préséance sur les codes nationaux. En l'absence de codes locaux, référez-vous à la dernière édition de la National Electrical Code® (NEC) aux États-Unis et au Code électrique canadien® (CEC) au Canada pour l'installation.

1.5 Assistance technique

Consulter le service technique de Zodiac ou votre revendeur local Jandy pour toute question ou tout problème impliquant les spécifications, l'installation et l'utilisation de votre équipement Jandy. Un technicien expérimenté est prêt à vous assister pour que vous obteniez le rendement et l'application appropriés des produits Jandy. Pour un soutien technique, appeler le service technique de Zodiac au (800) 822-7933.

1.6 Matériel nécessaire pour l'installation

1.6.1 Matériel pour toutes les Installations

Les éléments suivants sont nécessaires et doivent être fournis par l'installateur pour *toutes* les installations de la thermopompe :

1. Connexions de plomberie de 5 cm.
2. Surface plane pour une vidange appropriée.
3. Câble d'alimentation électrique convenable. Voir la plaque signalétique sur l'unité pour les spécifications électriques. Une boîte de jonction n'est pas nécessaire pour la thermopompe; Les connexions sont faites à l'intérieur du compartiment électrique de la thermopompe. Un conduit peut être attaché directement à la gaine isolante de la thermopompe.

REMARQUE Un conduit flexible est recommandé pour la connexion des câbles électriques d'alimentation de la thermopompe afin que le panneau avant puisse être facilement enlevé durant l'entretien.

4. Un disjoncteur électrique qui interrompra toute alimentation à l'unité. L'interrupteur *doit* être à portée de vue de la thermopompe.
5. Un conduit étanche pour acheminer le câble d'alimentation électrique.

1.6.2 Matériel recommandé pour les Installations

Zodiac recommande d'installer des robinets d'isolement au niveau des orifices d'entrée et de sortie des connexions d'eau pour faciliter l'entretien.

1.7 Spécifications

1.7.1 Spécifications générales

Convient pour un usage intérieur et extérieur. Les autorisations montrées au Tableau 2 doivent être observées.

Raccord Tuyau d'eau/générateur de Chaleur
Plastique PVC de 5 cm (raccords inclus)

Débit

Maximum	475 lpm
Optimal	230 lpm
Minimum	114 lpm

Pression d'eau utile maximum

75 psi

Alimentation électrique

Spécifications de tension	
Monophasé	230 VCA 60 Hz
Triphasé	230 VCA 60 Hz (Dépend du modèle)

Pression utile maximum du frigorigène

650 PSI

1.7.2 Dimensions

Voir Figure 1 pour un diagramme montrant les dimensions de la thermopompe et pour la dimension des connexions critiques.

1.7.3 Spécifications techniques

Voir Tableau 1, Spécifications techniques de la thermopompe EE-Ti.

Section 2. Guide d'Installation

2.1 Information générale

Installer les thermopompes Jandy conformément aux procédures de ce guide, aux ordonnances et codes provinciaux et de la dernière édition du code fédéral approprié. (Voir Section 1.4, "Codes et normes".) L'installation correcte est requise pour assurer un fonctionnement sécuritaire. Les exigences pour les thermopompes Jandy comprennent ce qui suit :

1. Assemblage sur les lieux (au besoin).
2. Site d'installation et dégagements appropriés.
3. Ventilation suffisante.
4. Câblage électrique approprié.
5. Débit d'eau adéquat.

Ce guide fournit l'information nécessaire pour respecter ces exigences. Réviser toutes les procédures d'application et d'installation au complet avant de continuer l'installation.

2.2 Exigences d'emplacement

2.2.1 Introduction

REMARQUE Les installations d'intérieur nécessitent des considérations particulières pour le drainage du condensat et la ventilation de l'air froid produit par la thermopompe. Appeler le service technique de Zodiac au (800) 822-7933.

ATTENTION

Lorsque l'équipement d'une piscine est situé sous la surface de l'eau, une fuite provenant de n'importe quel élément peut causer une perte d'eau importante ou une inondation. Zodiac Pool Systems, Inc. n'est pas responsable des pertes d'eau, des inondations ou des avaries causées par une installation ou un entretien inadéquat.

Éviter de placer les thermopompes dans des emplacements où elles peuvent provoquer des dommages par l'eau ou des fuites de condensat. Si ce n'est pas

Tableau 1. Spécifications Techniques de la thermopompe EE-Ti

MODÈLE	EE1500T	EE2000T	EE2000T-263	EE2500T	EE2500T-R	EE2500T-263	EE2500T-R263	EE3000T	EE3000T-R	EE3000T-263	EE3000T-R263	
TENSION	230/60/1	230/60/1	230/60/3	230/60/1	230/60/1	230/60/3	230/60/3	230/60/1	230/60/1	230/60/1	230/60/3	
PUISSANCE ÉMISE*	70,000 BTUs	112,000 BTUs	120,000 BTUs	120,000 BTUs	120,000 BTUs	120,000 BTUs	120,000 BTUs	140,000 BTUs	140,000 BTUs	140,000 BTUs	140,000 BTUs	
PUISSANCE ABSORBÉE*	3,3 kW	5,1 kW	5,6 kW	5,6 kW	5,6 kW	5,6 kW	5,6 kW	6,7 kW	6,7 kW	6,7 kW	6,7 kW	
COP*	6,4	6,4	6,3	6,3	6,3	6,3	6,3	6,1	6,1	6,1	6,1	
PUISSANCE ÉMISE, CONDITIONS NOMINALES**	60,000 BTUs	93,000 BTUs	105,000 BTUs	105,000 BTUs	105,000 BTUs	105,000 BTUs	105,000 BTUs	130,000 BTUs	130,000 BTUs	130,000 BTUs	130,000 BTUs	
COP, CONDITIONS NOMINALES**	5,4	5,4	5,5	5,5	5,5	5,5	5,5	5,5	5,5	5,5	5,5	
PUISSANCE ÉMISE, TEMPÉRATURE D'AIR AMBIANT BASSE**	40,000 BTUs	64,000 BTUs	72,000 BTUs	72,000 BTUs	72,000 BTUs	72,000 BTUs	72,000 BTUs	85,000 BTUs	85,000 BTUs	85,000 BTUs	85,000 BTUs	
COP, TEMPÉRATURE D'AIR AMBIANT BASSE**	4,0	4,0	4,0	4,0	4,0	4,0	4,0	4,0	4,0	4,0	4,0	
RLA (AMPÉRAGE EN RÉGIME D'EXPLOITATION)	21A	26,9A	19,2A	26,9A	26,9A	23A	23A	26,9A	26,9A	26,9A	26,9A	
LRA (AMPÉRAGE À ROTOR BLOQUÉ)	115A	145A	170A	145A	145A	160A	160A	145A	145A	145A	190A	
COURANT ADMISSIBLE MINIMUM DU CIRCUIT	28A	37A	27A	37A	37A	32A	32A	37A	37A	37A	36A	
PROTECTION MAXIMUM CONTRE LA SURINTENSITÉ***	45A	60A	45A	60A	60A	50A	50A	60A	60A	60A	60A	
ÉCHANGEUR DE CHALEUR	Titane											
COMPRESSEUR	40K Scroll	61K Scroll	61K Scroll	Volute 68 K								83K Scroll
ARMOIRE	ABS											
FRIGORIGÈNE	64 Oz. R410A	74 Oz. R410A	90 oz. R410A	90 oz. R410A	90 oz. R410A	90 oz. R410A	90 oz. R410A	114 Oz. R410A	124 Oz. R410A	114 Oz. R410A	124 Oz. R410A	
HAUTE PRESS REFRIG.	650 PSI (réinitialiser à 460 PSI)											
BASSE PRESS REFRIG. (alarme de basse pression de frigorigène – unités de chauffage)	58 PSI (réinitialiser à 127 PSI)											
BASSE PRESS REFRIG. (alarme de basse pression de frigorigène – unités inversés)	35 PSI (réinitialiser à 74 PSI)											
AUCUN FLUX	114 lpm											
HAUTEUR MAXIMALE IMMERGÉE	3 m sous le niveau de la piscine											
HAUTEUR MINIMALE AU-DESSUS DU NIVEAU DE L'EAU	1,5 m au-dessus du niveau de la piscine											
DÉBIT OPTIMAL DE L'EAU	230 lpm											
DÉBIT MINIMUM DE L'EAU	114 lpm											
DÉBIT MAXIMUM DE L'EAU	475 lpm											
DÉBIT DE L'AIR	58 m³/min	117 m³/min										
DIFFÉRENTIEL DE TEMPÉRATURE DE L'EAU (DELTA T) (DELTA T)	Réglable entre 1°C à 5°C											
TAILLE DU RACCORD	5 cm											
POIDS	102 kg	147 kg										
PRESSIION ACOUSTIQUE SELON LA NORME ISO 3471	58,9 dBA											
PUISSANCE ÉMISE - Refroidissement****	NA	71,000 BTUs									54,000 BTUs	
PUISSANCE ABSORBÉE - Refroidissement****	NA	6,9 kW									7,2 kW	
COP - Refroidissement****	NA	3,01									2,22	
PUISSANCE ÉMISE - Refroidissement****	NA	87,000 BTUs									60,000 BTUs	
PUISSANCE ABSORBÉE - Refroidissement****	NA	7,4 kW									7,3 kW	
COP - Refroidissement****	NA	3,46									2,4	

* Conditions nominales : air 26°C, 80% RH, eau 26°C, En dehors de la portée de la norme AHRI 1160 (I-P)

** Évalué en accord avec la norme AHRI 1160 (I-P)

*** Protection de surintensité maximale fait référence au calibre maximal permis d'un disjoncteur. Si cette valeur n'est pas un calibre de disjoncteur standard, utiliser un disjoncteur standard de calibre inférieur suivant. Le calibre de disjoncteur ne doit pas être plus petit que la valeur minimale du courant admissible.

**** Conditions nominales : Mode Refroidissement, air 36°C, 80% RH, eau 26°C, En dehors de la portée de la norme AHRI 1160 (I-P)

***** Conditions nominales : Mode Refroidissement, air 36°C, 80% RH, eau 35°C, En dehors de la portée de la norme AHRI 1160 (I-P)

DIMENSION DU MODÈLE	DIMENSIONS						
	A	B	C	D	E	F	G
EE1500	66 cm	79 cm	18 cm	64 cm	53 cm	30 cm	89 cm
EE2000	84 cm	97 cm	27 cm	64 cm	56 cm	36 cm	104 cm
EE2500	84 cm	97 cm	27 cm	64 cm	56 cm	36 cm	104 cm
EE3000	84 cm	107 cm	27 cm	76 cm	66 cm	43 cm	104 cm

Figure 1. Dimensions des thermopompes Jandy EE-Ti

possible, installer un bac de récupération approprié pour recueillir et dévier toute fuite.

Tous les critères donnés dans les sections suivantes reflètent des autorisations minimales. Cependant, chaque installation doit aussi être évaluée en tenant compte des conditions locales permanentes telles que la proximité et la hauteur des murs et la proximité avec les zones accessibles au public.

2.2.2 Dégagements

La thermopompe doit être placée de manière à offrir un dégagement de tous les côtés pour la maintenance et l'inspection. Voir tableau 2.

60 cm d'accès devant la thermopompe offrent suffisamment d'espace pour faire l'entretien.

Si la thermopompe doit être installée dans un garage ou sous un surplomb vertical, l'unité doit avoir un minimum de 1,5 m de dégagement par rapport au dessus de la thermopompe.

Dans les installations canadiennes, la distance minimum à respecter du mur intérieur de la piscine ou du spa est de 3 mètres.

Tableau 2. Dégagements de la thermopompe

Vue latérale de la thermopompe	Dégagements minimum pour l'opération	Dégagements recommandés pour la facilité d'entretien
	Centimètres	Centimètres
Avant	15	60
Arrière	15	30
Gauche	15	30
Droit	15	30
Supérieur	150	150

REMARQUE Les dégagements énumérés dans le Tableau 2 sont les valeurs testées par le fabricant. Elles sont fournies comme valeurs minimales. Lorsque les codes locaux et nationaux s'appliquent et les valeurs sont différentes de celles énumérées dans le Tableau 2, utiliser la valeur la plus élevée pour assurer la sécurité et un bon fonctionnement.

2.2.3 Massif d'équipement

Placer la thermopompe sur une surface plane légèrement inclinée telle que du ciment ou une dalle fabriquée (massif). Cela permet un drainage de la condensation et de l'eau de pluie à partir de la base de l'unité. Si possible, le massif devrait être placé au même niveau ou légèrement plus haut que le massif d'équipement du système de filtrage.

REMARQUE Assurez-vous que le massif est incliné de pas plus que 64 mm par chaque 30 cm vers l'extrémité avant du compresseur de la thermopompe. Incliner la dalle de l'arrière à l'avant de 6 mm pour chaque 30 cm maximum et aplanir d'un bord à l'autre.

2.2.4 Condensation et drainage

La condensation surviendra dans le serpentin évaporateur pendant le fonctionnement de l'unité et drainera à un rythme équilibré, généralement 11,4 à 18,9 litres par heure selon l'humidité et la température de l'air ambiant. Plus les conditions ambiantes sont humides plus il y aura de production de condensation. La base de l'unité sert de bac pour recueillir l'eau de pluie et la condensation. Garder l'emplacement de l'orifice de drainage à droite de la base de l'unité libre des débris.

Si la thermopompe est installée à l'intérieur, il faut fournir des moyens pour disposer de la condensation. L'orifice de drainage à la base de la thermopompe est taraudé pour recevoir un adaptateur cannelé optionnel de 1,9 cm de diamètre, Jandy réf. R3004100 (voir Section 9, « Pièces de rechange »). Si vous utilisez l'adaptateur cannelé, connectez un tube de 1,9 cm, une longueur de tube de 1,5 m vient avec Jandy p/n R3004100 à l'adaptateur, puis acheminez-le dans un drain ou à l'extérieur du bâtiment pour vous débarrasser de la condensation. **Il est important de vous rappeler**

qu'aucune partie de tube ou de tuyau ne peut se trouver au-dessus du niveau de l'orifice du drain à la base de la thermopompe.

2.2.5 Gicleurs à gazon

Empêcher les têtes des gicleurs à gazon d'asperger la thermopompe pour empêcher la corrosion et les dommages. Utiliser un déflecteur si nécessaire.

2.2.6 Écoulement du toit

Assurez-vous que la thermopompe ne se trouve pas à un endroit où de grandes quantités d'eau s'écoulent du toit sur l'unité. Les toits très inclinés sans gouttières permettent à de grandes quantités d'eau de pluie mélangée à des débris du toit d'arriver sur l'unité. Une gouttière ou un tuyau de descente d'eau pluviale peut être nécessaire pour protéger la thermopompe.

2.2.7 Installation de pinces d'ancrage

En Floride, les codes du bâtiment exigent que les thermopompes soient arrimées au massif ou à la plateforme d'équipement pour supporter les fortes pressions éoliennes générées pendant les ouragans. Des exigences similaires peuvent exister dans d'autres juridictions. Veuillez vérifier les codes locaux pour plus de détails.

Cette thermopompe vient avec des pinces d'ancrage conçues pour maintenir l'unité contre le massif d'équipement pendant les conditions de vents forts. L'installation des pinces d'ancrage est recommandée dans toutes les installations de Floride (référence Florida Building Code, Mechanical Section 301.13).

Pour installer les pinces d'ancrage :

1. Assurez-vous que la thermopompe est à son emplacement permanent sur le massif d'équipement.
2. Retirez les pinces d'ancrage de l'enveloppe d'installation et d'instruction.

REMARQUE Les boulons et les boulons d'ancrages ne sont pas compris avec la thermopompe. Zodiac recommande l'utilisation d'une vis et rondelle d'ancrage à béton d'acier galvanisé de longueur 1/4" x 1 3/4" pour installer les pinces sur le massif d'équipement.

3. Placer les pinces à la base de la thermopompe dans les emplacements indiqués à la Figure 2.

REMARQUE Pour installer les crochets sur le devant de la thermopompe, le couvercle avant doit être suffisamment desserré pour pouvoir placer le crochet à travers la lèvre de la base. Assurez-vous de bien resserrer le panneau de la gaine de protection avant à la thermopompe.

4. Ajuster le crochet de chaque pince sur la lèvre du panneau de la base de la thermopompe. Le crochet devrait s'ajuster entre la lèvre du panneau de la base et la garde du serpentín évaporateur (Voir Figure 3).
5. Marquer la position de l'orifice dans chaque pince sur le massif d'équipement.
6. Percer un trou dans le ciment en vous servant d'un

foret de maçon, d'un diamètre tel qu'indiqué par l'ancrage en béton, dans chacune des marques du massif d'équipement. Le trou devrait être approximativement 3,8 cm de profondeur.

7. Insérer un boulon d'ancrage dans chacun des trous. Assurez-vous que les ancrages sont complètement ajustés dans les trous.
8. Positionner les pinces d'ancrage de manière à ce que les trous dans les pinces soient au dessus des boulons d'ancrages. Assurez-vous que les crochets de pince soient sur la lèvre de la base de la thermopompe (Voir Figure 3).
9. Insérer un boulon d'ancrage à travers chaque pince dans l'ancrage et serrer pour sécuriser la pince et la thermopompe contre le massif d'équipement.

Section 3. Raccordements d'eau

3.1 Disposition de la plomberie

La Figure 4 illustre la disposition classique de la plomberie avec une unité simple de thermopompe. En suivant le diagramme de la droite vers la gauche, la séquence de plomberie est la suivante :

Piscine > Pompe à Piscine > Filtre > Thermopompe > Clapet de non-retour > Boucle chimique > Chlorateur > Piscine

REMARQUE Pour les installations normales, n'installez pas de robinet de sectionnement ou tout autre restriction variable dans la tuyauterie de l'eau entre la sortie de la thermopompe et la piscine/spa.

L'arrangement des composants du système de la piscine autrement qu'illustré dans les diagrammes suivants peut affecter le fonctionnement du pressostat à eau de la thermopompe. L'emplacement de la thermopompe au-dessus ou en dessous de la surface de l'eau de piscine peut aussi affecter le fonctionnement du pressostat. En général, l'interrupteur de pression peut être ajusté pour tenir compte de cet effet si les raccordements de l'alimentation en eau de la pompe à chaleur ne sont pas plus de 3 m au-dessous de la surface de l'eau de la piscine ou pas plus de 1,5 m au-dessus. Voir les instructions pour le réglage du pressostat (Section 5.6) dans la section démarrage de la thermopompe de ce guide pour de plus amples renseignements. Si la thermopompe est installée à l'extérieur de ce périmètre, il pourrait s'avérer nécessaire d'installer un régulateur de circulation d'eau en amont du système de plomberie de la thermopompe. Appeler le Service technique de Zodiac au (800) 822-7933 pour de plus amples renseignements.

Sachez que lorsque l'équipement de piscine est situé en dessous de la surface de la piscine, une fuite peut entraîner une importante perte d'eau ou une inondation. Zodiac ne peut être tenue responsable pour une telle perte en eau ou inondation ou pour des dommages causés par l'une ou l'autre occurrence.

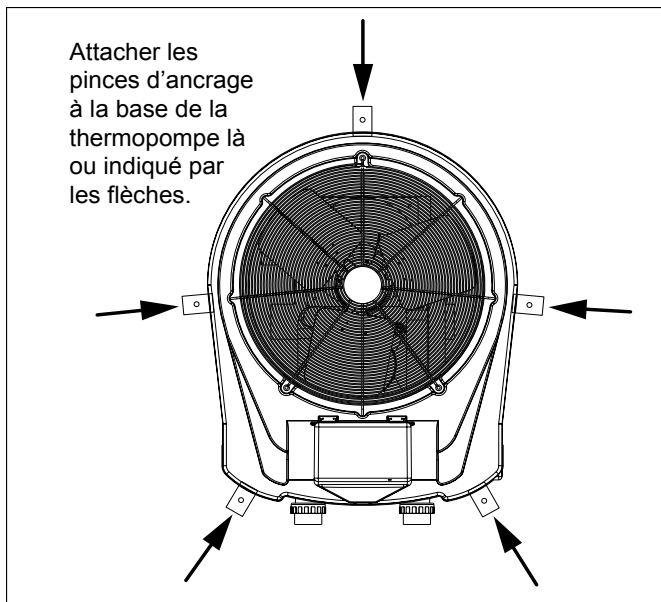


Figure 2. Positions des pinces d'ancrage

3.2 Raccordements d'eau à la thermopompe

Des bouchons d'expédition ont été installés dans les ports d'entrée et de sortie de la thermopompe à l'usine. Avant d'installer tout élément de plomberie, enlever les bouchons d'expédition. De l'eau filtrée est envoyée à l'entrée située sur le côté droit du panneau avant de la thermopompe. De l'eau chaude s'écoule à travers la sortie située sur le côté avant gauche de la thermopompe. Des raccords de 5 cm sont fournis.

De la tuyauterie en plastique (PVC de Catégorie 40) devrait être connectée à la thermopompe. Les raccords, fournis avec l'unité, s'accordent à un tuyau en PVC de 5 cm.

⚠ ATTENTION

Assurez-vous que la circulation d'eau requise soit maintenue même si des pompes d'appoints ou des éléments de plomberie, causant des restrictions, sont ajoutés.

3.3 Installation du clapet antiretour

⚠ AVERTISSEMENT

Un clapet antiretour peut interférer avec le bon fonctionnement de certains produits à mécanisme de déclenchement de l'aspiration à vide (SVRS). Pour éviter tout risque de piégeage, des blessures graves ou un décès, s'assurer de revoir le guide de fonctionnement/ d'utilisation de votre produit SVRS notamment avant d'installer le clapet antiretour.

La thermopompe doit être protégée du retour par siphonage de l'eau. S'il y a le moindre risque de retour par siphonage, installer un clapet antiretour entre la piscine et l'entrée de la pompe à filtre.

Lorsqu'une conduite de distribution automatique

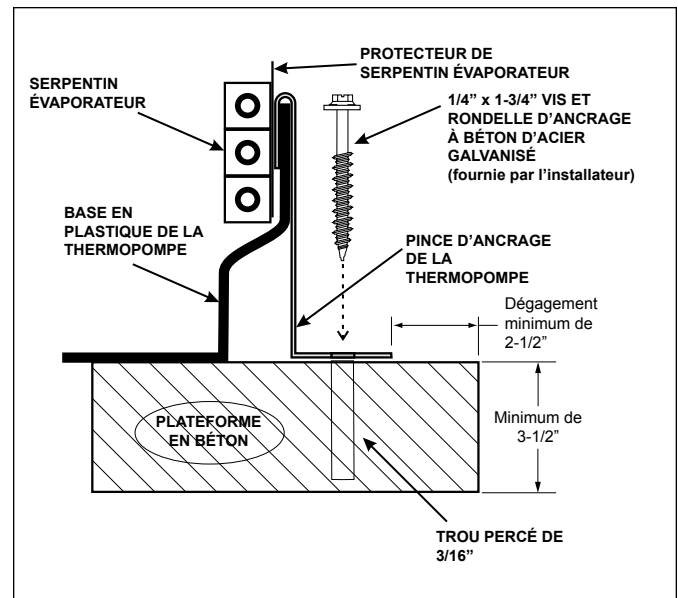


Figure 3. Installation de pinces d'ancrage

de produit chimique est installée dans la plomberie, elle doit être installée en aval de la thermopompe. Un clapet antiretour doit être installé entre la thermopompe et la conduite de distribution automatique de produit chimique pour empêcher le retour par siphonage d'eau saturée en produit chimique dans la thermopompe où elle endommagera les composants.

3.4 Robinet de réglage automatique

Le collecteur d'entrée/sortie de la thermopompe EE-Ti équipée d'un robinet de réglage automatique interne. Le robinet de réglage automatique interne maintient un écoulement approprié à travers la thermopompe à des débits allant approximativement jusqu'à 475 lpm. Si le débit d'écoulement du système de filtrage est supérieur à environ 475 lpm, installer un robinet de dérivation manuelle (Voir Figure 4).

REMARQUE Sachez que si votre pompe de circulation a une puissance supérieure à 2 HP ou si l'écoulement total dépasse 475 lpm, vous devrez ajouter un robinet de dérivation externe.

3.5 Installation d'unités multiples

3.5.1 Combinaison thermopompe et chauffage

Dans certaines régions du pays, il pourrait être plus économique de faire fonctionner une thermopompe pendant les mois les plus chauds et un chauffage à gaz durant les mois les plus froids.

Dans certains cas, il pourrait être souhaitable de faire fonctionner une thermopompe en mode « Refroidissement » pendant la partie la plus chaude de l'année et en chauffage pendant les mois plus frais.

La thermopompe Jandy peut être en circuit avec un chauffage à gaz ou électrique ou toute combinaison de sources de chaleur y compris solaires. Toute source de chaleur doit être en circuit parallèle pour fonctionner

convenablement et efficacement.

La Figure 5 illustre une disposition de plomberie recommandée pour une combinaison de système de chauffage de thermopompe, d'appareil de chauffage, de chauffage solaire pour une combinaison de piscine ou de spa. Votre système pourrait ne pas contenir toutes ces composantes, mais la plomberie de base s'appliquera en éliminant la composante dans l'illustration qui ne fait pas partie de votre système.

3.5.2 Raccordements multiples de thermopompes

Toute plomberie sur des installations de thermopompes multiples doit être faite en parallèle (Voir Figures 6 et 7). Un même écoulement d'eau à chaque thermopompe est important pour un fonctionnement optimal.

REMARQUE Il se peut qu'il soit nécessaire de configurer le pressostat à eau si une unité est installée en dessous du niveau de l'eau. Voir Section 5.6 pour les détails sur quand et comment régler le pressostat.

REMARQUE Chaque thermopompe permet un débit maximum de 475 lpm et requiert un minimum de 114 lpm.

Section 4. Raccordements Électriques

AVERTISSEMENT

POSSIBILITÉ DE CHOCS ÉLECTRIQUES. Ce système de chauffage contient du filage de haute tension. Un contact avec ces fils peut résulter en des blessures sérieuses ou la mort. Débranchez le circuit de puissance avant de relier la pompe à chaleur.

ATTENTION

Au moment de l'entretien des commandes, étiquetez tous les fils avant de les débrancher. Des erreurs de câblage peuvent entraîner un fonctionnement inadéquat et dangereux.

4.1 Information Générale

Les raccordements de câblage doivent être faits exactement comme illustrés dans le schéma de principe qui se trouve à l'intérieur du compartiment d'accès à la thermopompe (Voir Figure 8 pour un câblage électrique monophasé et Figure 9 pour le câblage électrique triphasé). La thermopompe doit inclure les moyens de mise à la terre et de connecter. Il y a une cosse de connexion sur le côté droit de la thermopompe où un câble de connexion doit être fixé.

4.2 Alimentation principale

Le câblage électrique doit être conforme au National

Electric Code® (NEC), ANSI/National Fire Protection Association (NFPA) 70 aux É. et au Canada, au Code électrique canadien® (CEC) C22.1, à moins que le code local prévoit d'autres exigences.

Les thermopompes sont câblées en usine et prêtes à fonctionner avec du 208/230 V c.a., 60 Hz monophasé ou triphasé selon le modèle. Voir la plaque signalétique pour les spécifications électriques. Tout le câblage doit être effectué par un électricien certifié.

Ce qui suit est la procédure pour câbler l'EE-Ti à la source électrique spécifiée sur la plaque signalétique :

1. Assurez-vous de couper l'alimentation en courant au circuit de la pompe.
2. Retirez les quatre (4) vis qui attachent le panneau d'entretien et d'accès à l'unité de la thermopompe (Voir Figure 11).
3. Retirez le couvercle frontal de la plaque en métal de la boîte de jonction.
4. Les câbles électriques d'alimentation doivent être acheminés à travers des conduits étanches. Acheminer les câbles et le conduit de la source d'alimentation et connecter-les à la connexion de conduit étiquetée « Connexion à haute tension » sur le côté droit de la thermopompe. Voir Figure 11 pour l'emplacement de la connexion.
5. Connecter les câbles aux bornes du principal contacteur tel qu'illustré dans le schéma de principe. Référez-vous aux Figures 8 et 9.
6. Connectez le fil de terre à la cosse de terre fournie dans le compartiment électrique.
7. Remettez le couvercle sur la boîte de jonction.
8. Remettez le panneau d'entretien et d'accès et remettez les vis pour le tenir en place.
9. Brancher un câble de liaison électrique en cuivre [8 AWG (8.4 mm²)] [au Canada, il ne doit pas être plus petit que 6 AWG (13.3 mm²)] à la cosse de connexion sur le côté droit de la thermopompe.

4.3 Liaison électrique

ATTENTION

L'appareil de chauffage doit être connecté à une grille de mise à la terre par un fil de cuivre d'un diamètre de calibre minimal 8 AWG (8.4 mm²). Au Canada, cela ne devrait pas être inférieur à 6 AWG (13.3 mm²).

Le National Electrical Code et la plupart des codes des électriciens exige que toutes les composantes métalliques d'une structure de piscine, y compris l'armature d'acier, les pièces métalliques et l'équipement de mise à la terre mentionné ci-dessus, soit liées électriquement ensemble à l'aide d'un conducteur solide en cuivre d'au moins 8 AWG (8.4 mm²). La thermopompe, avec les pompes et autre équipement de piscine doivent être branchés à ce réseau de liaison électrique. Une cosse d'attache se trouve du côté droit de la thermopompe pour assurer que cette condition soit remplie.

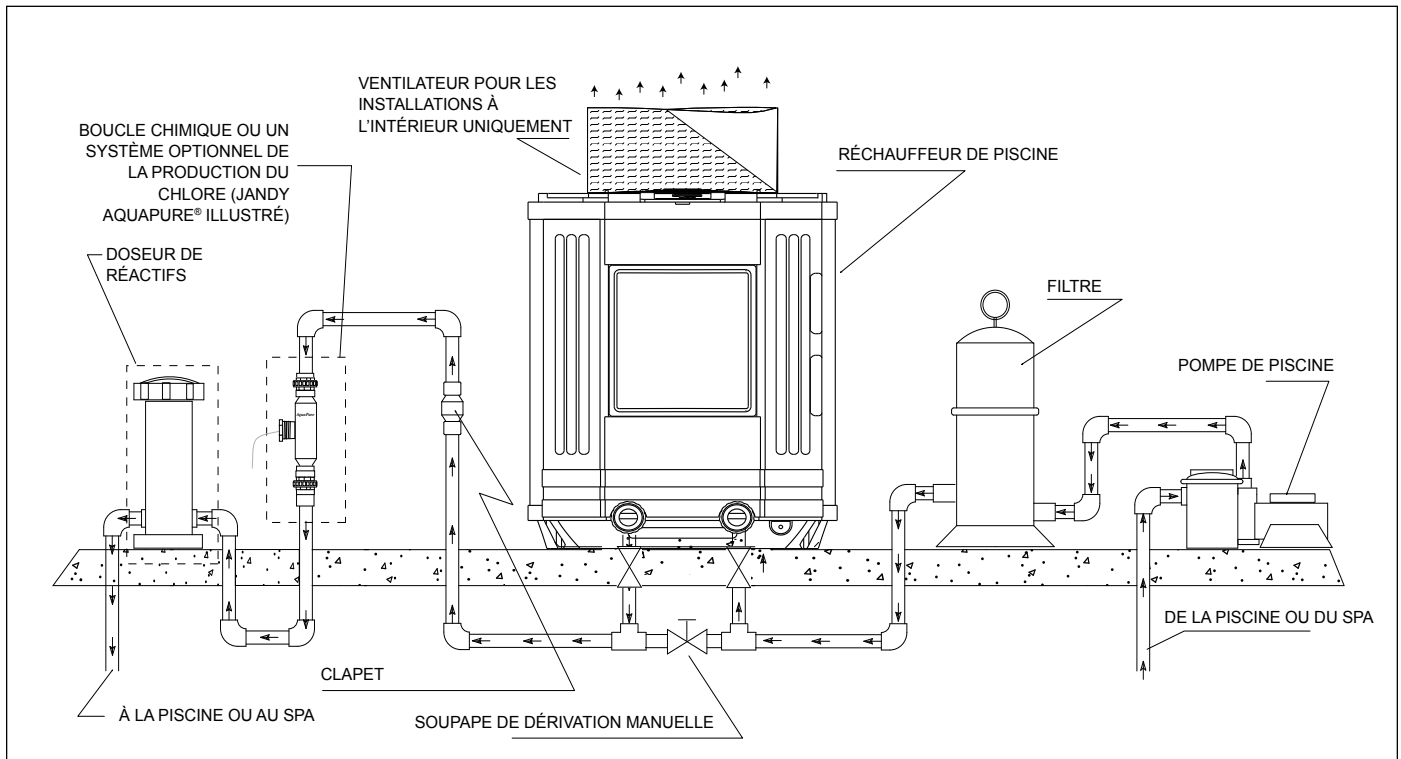


Figure 4. Disposition de la plomberie standard

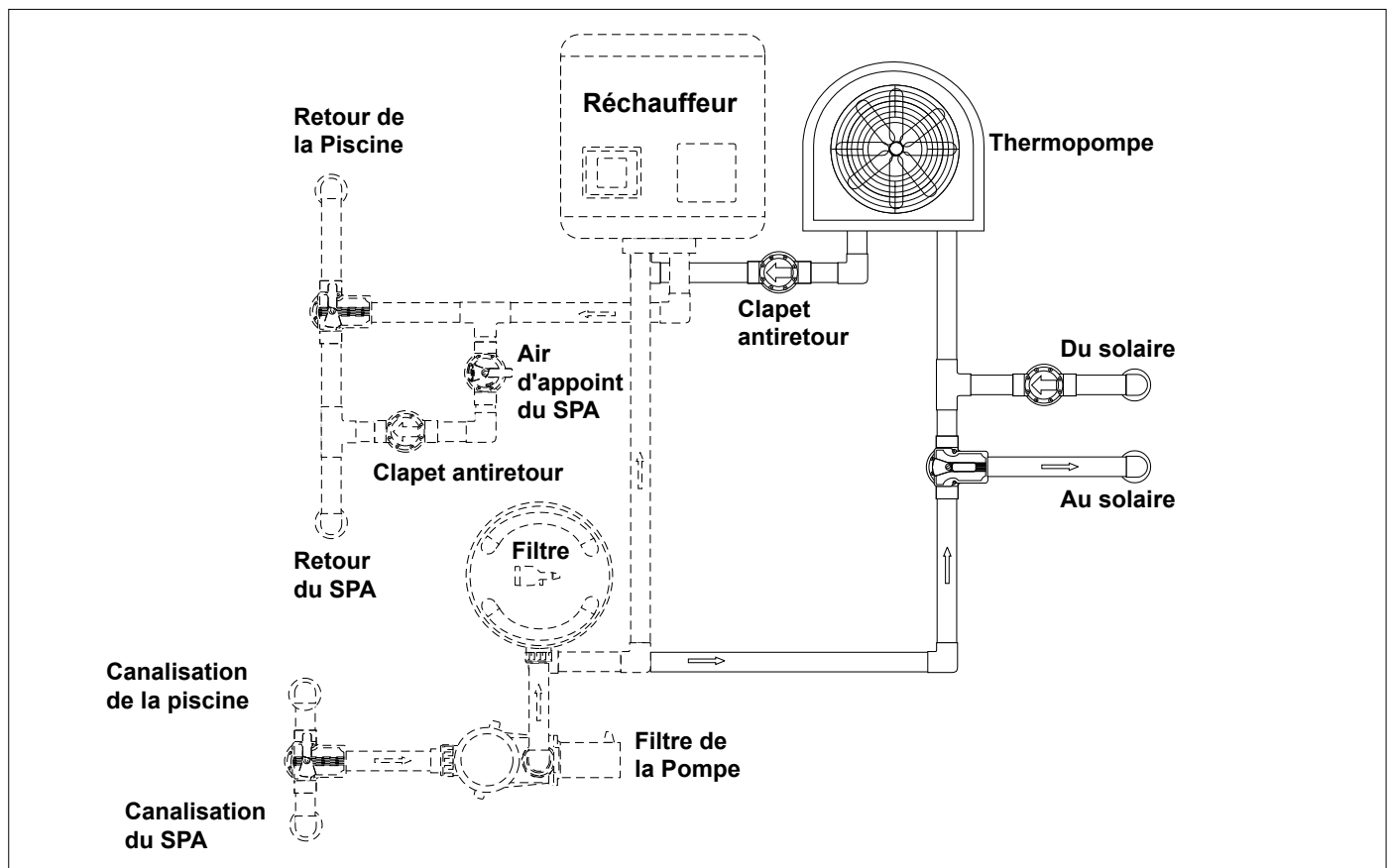


Figure 5. Plomberie pour les installations de système de chauffage

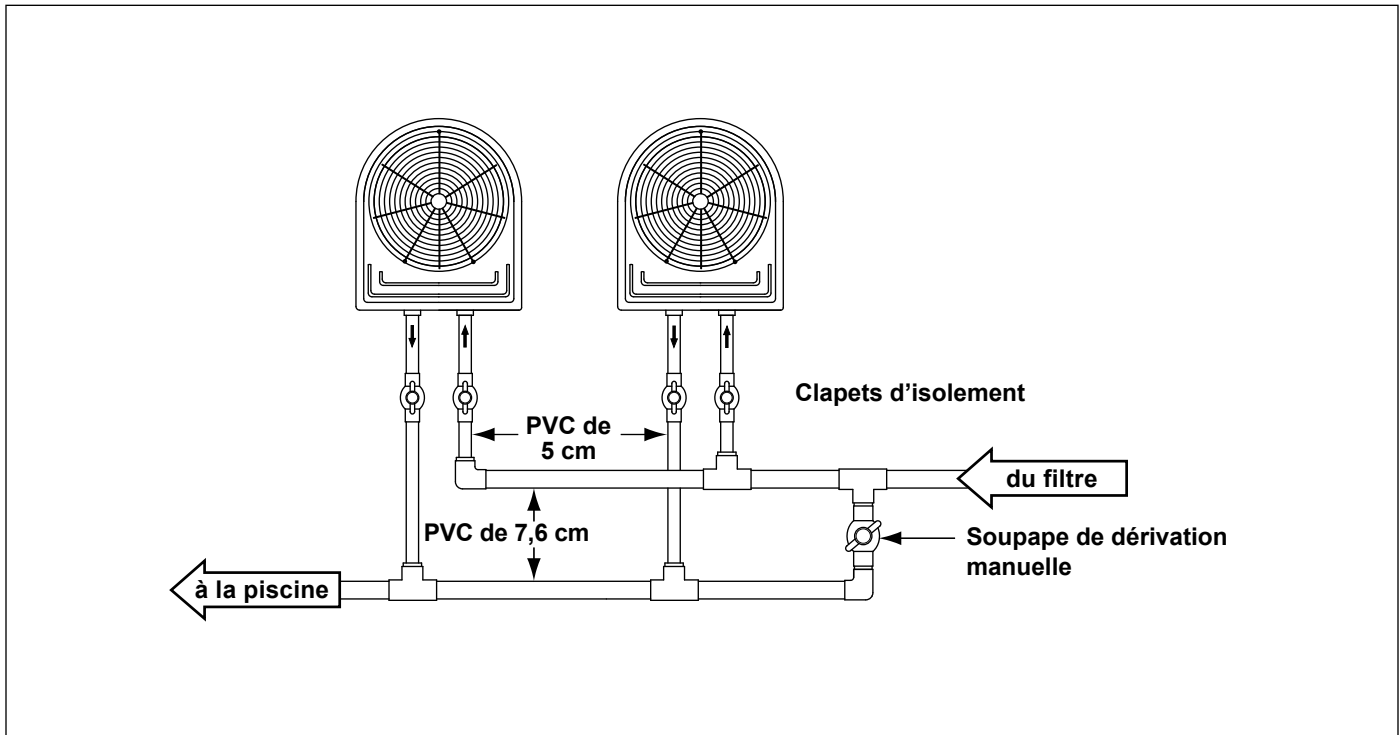


Figure 6. Agencement de plomberie de pompe de chauffage deux (2)

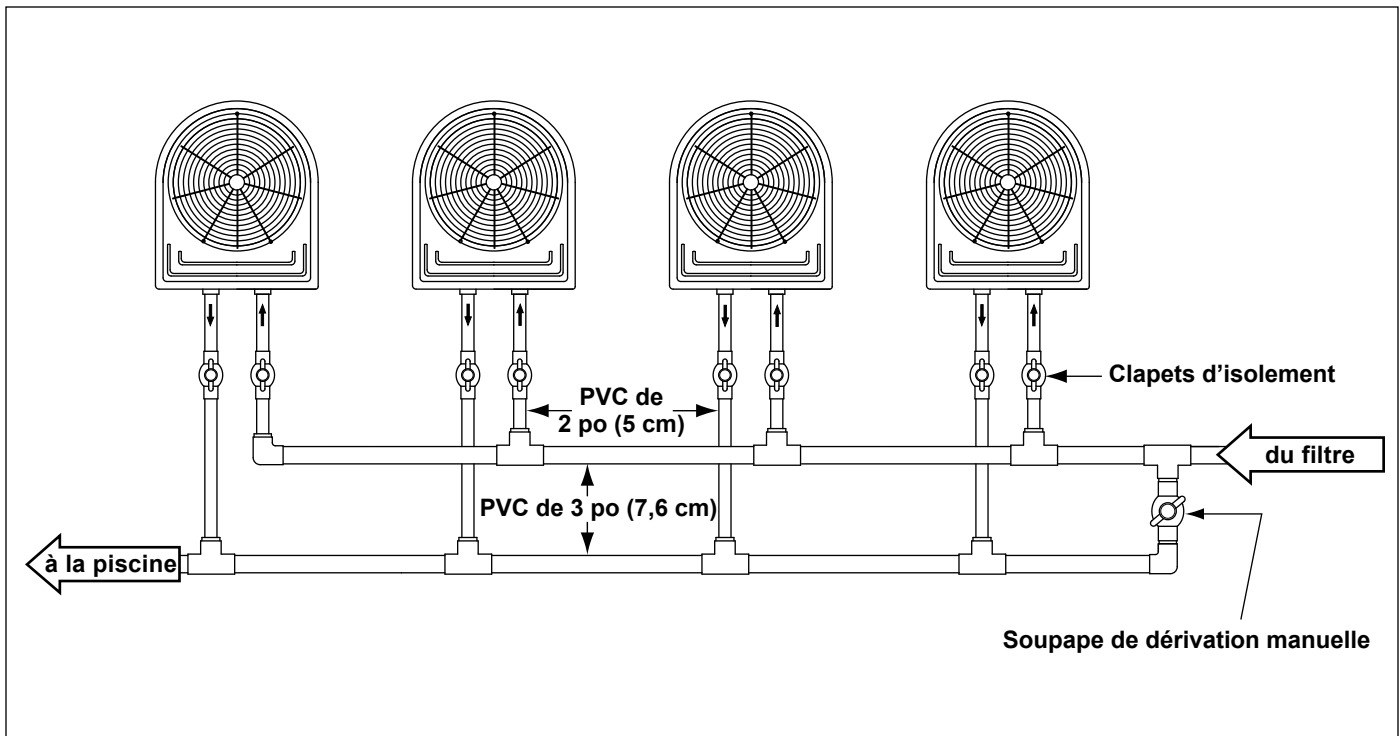


Figure 7. Disposition de plomberie à quatre (4) thermopompes

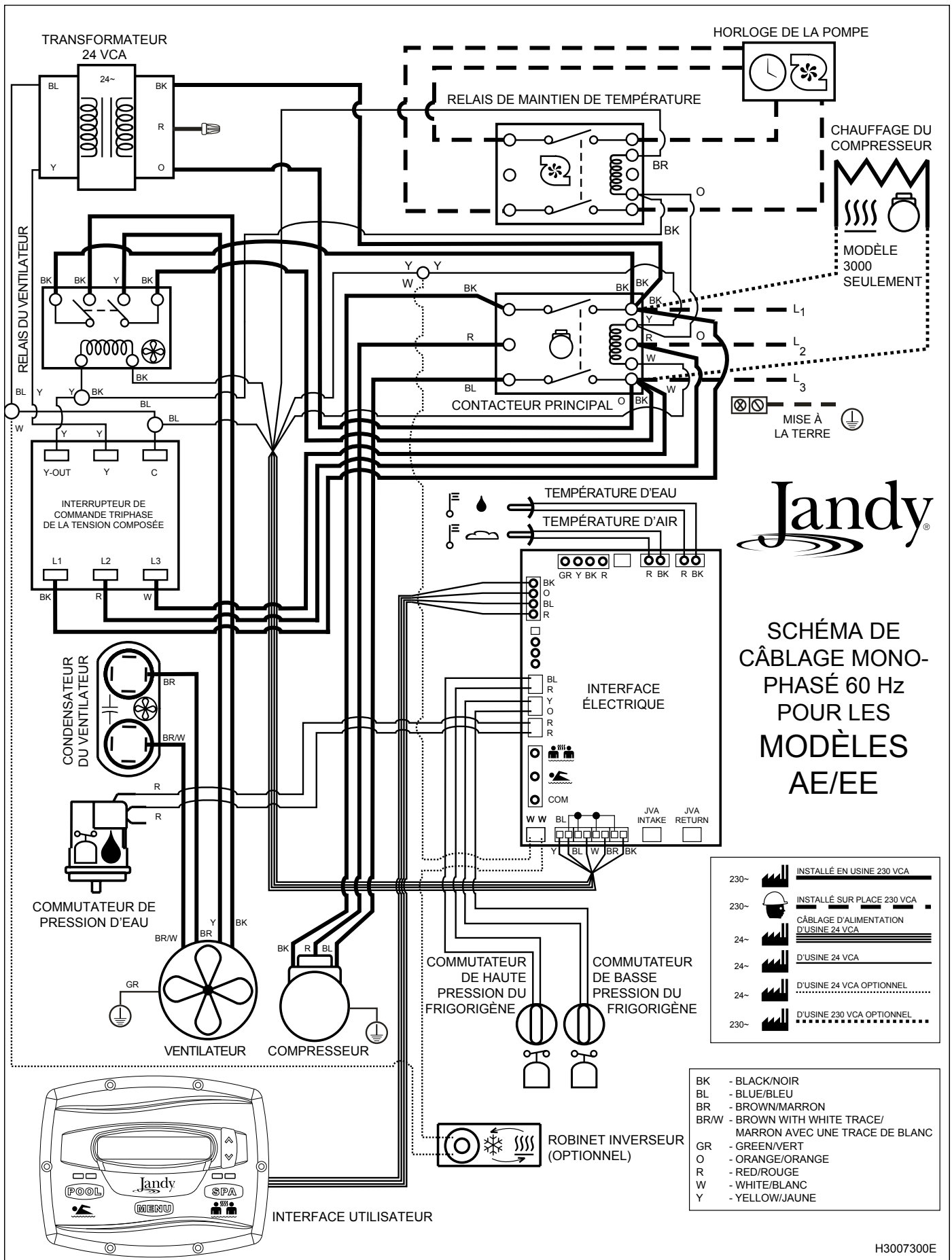
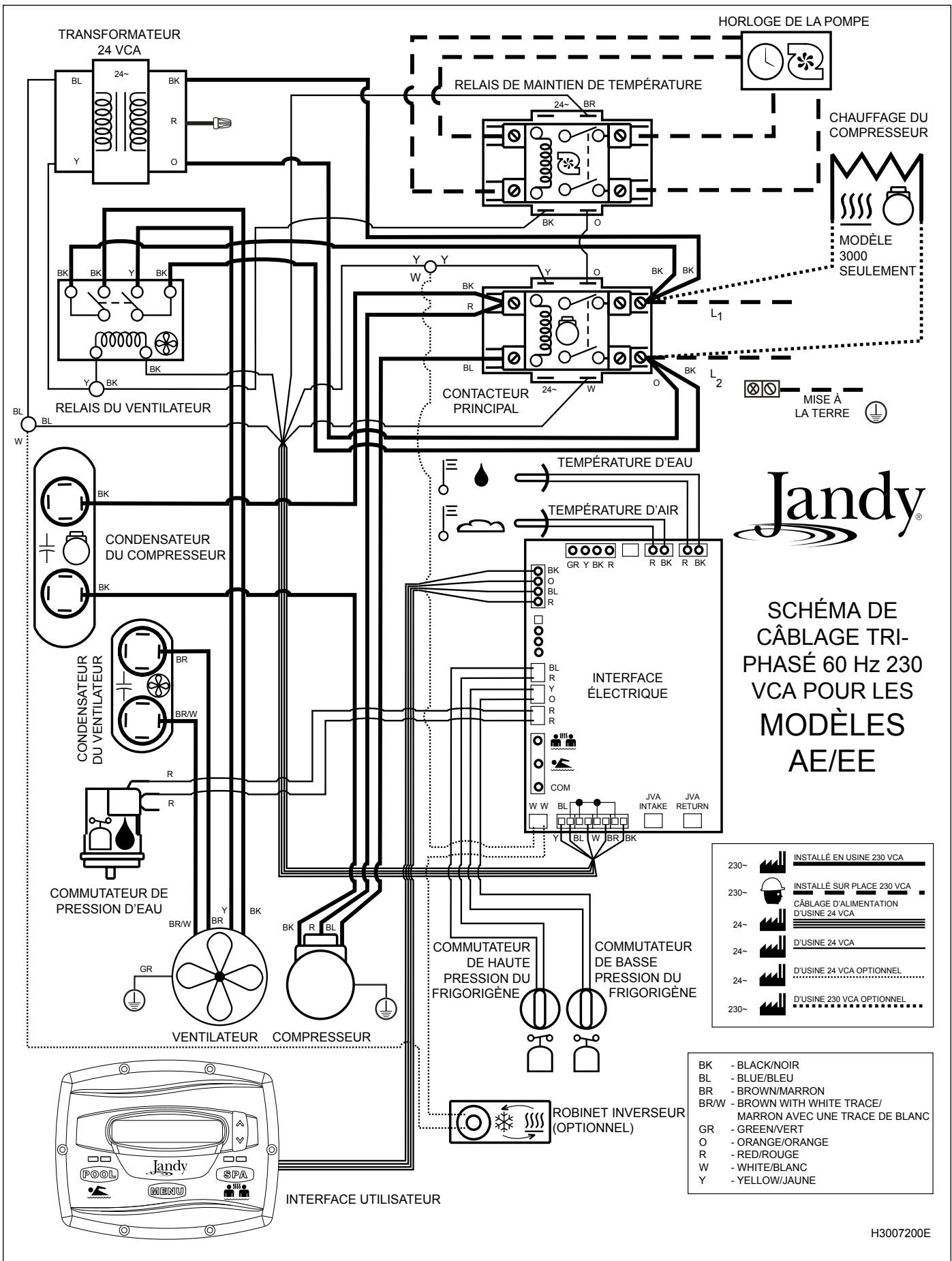


Figure 8. Diagramme de câblage électrique monophasé pour EE-Ti



H3007200E

Figure 9. Diagramme de câblage électrique triphasé pour EE-Ti

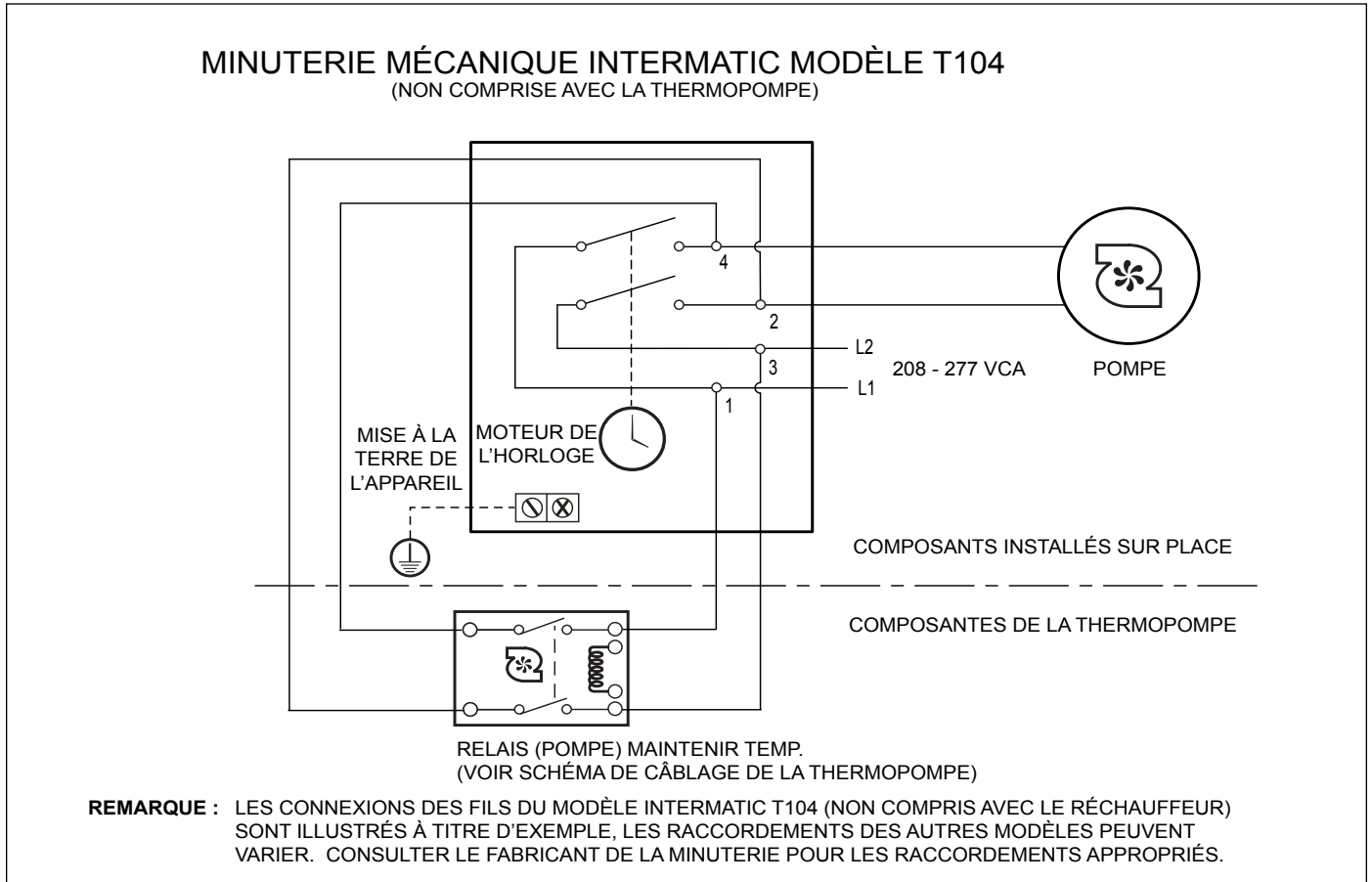


Figure 10. Exemple de câblage de "MAINTENIR TEMP" vers l'horloge.

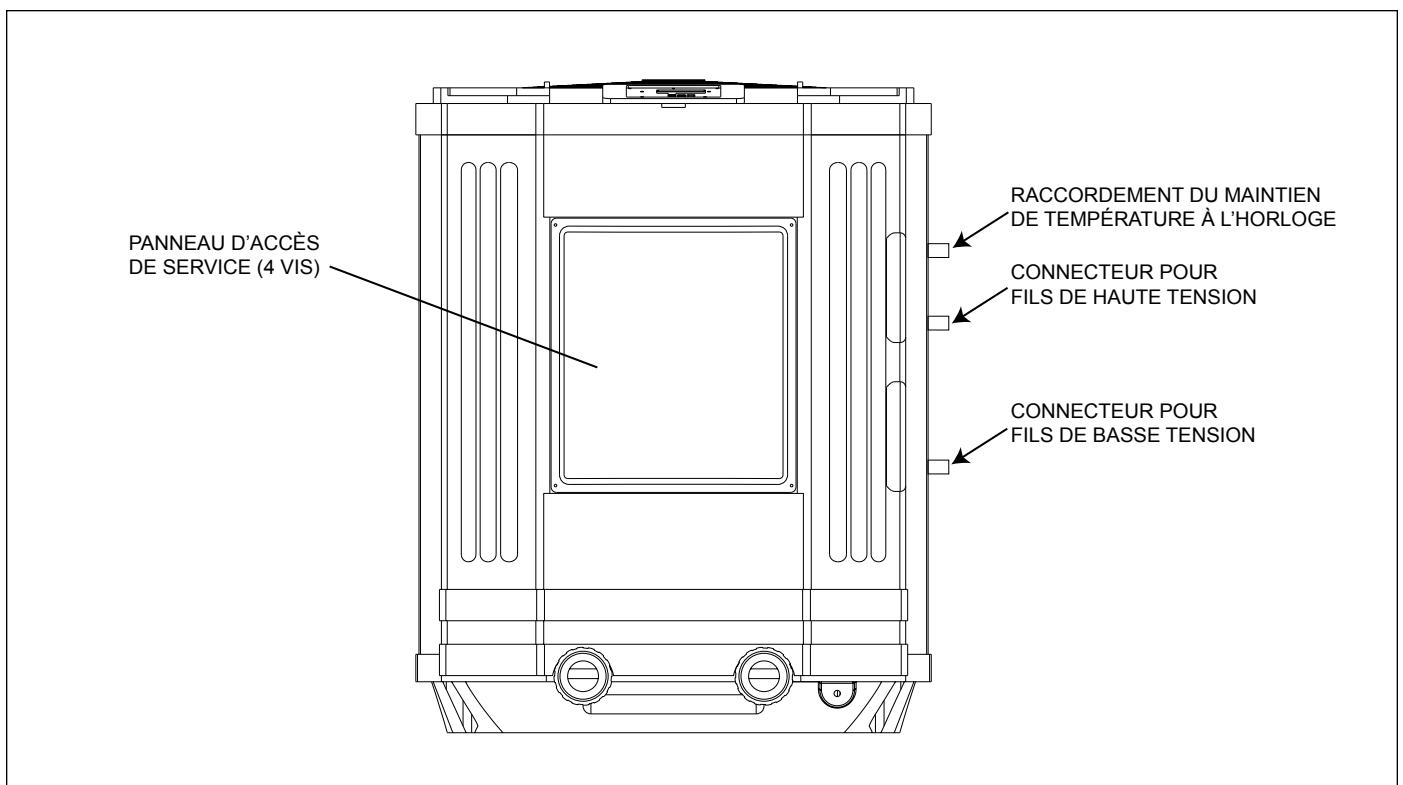


Figure 11. Vue avant de la thermopompe EE-Ti

4.4 Connexion de Pompe (Fonction de Maintien de Température)

Cette fonction permet à la thermopompe de mettre en marche la pompe à piscine, contournant le réglage de minuterie, pour maintenir la température souhaitée. Pour que la fonction **MAINTENIR TEMP.** soit opérationnelle, une ligne dédiée entre l'horloge de la pompe à piscine et le relais de maintien de température de la pompe est requise. Voir Figure 10.

4.5 Commandes à Distance en Option

Le câblage électrique doit être conforme à tous les codes et ordonnances applicables fédéraux et provinciaux.

4.5.1 Connexion à un Sélecteur Pool-Off-Spa (Piscine-Arrêt-Spa) à Distance (Connexion à 3-fils)

4.5.1.1 Installer le Sélecteur Pool-Off-Spa à Distance

1. Mettre hors tension à la fois le système de commande de la piscine et du spa et l'unité de thermopompe.
2. Retirer les quatre (4) vis qui attachent le tableau d'entretien et d'accès à l'unité de thermopompe et le couvercle de la boîte de jonction (voir Figure 11).
3. Acheminer les câbles du système de commande de la piscine et du spa à la connexion du conduit étiquetée « Connexion de basse tension », située du côté inférieur droit de la thermopompe (voir Figure 11).
4. Connecter le câblage du système de commande de la piscine et du spa à la borne de la commande à distance de la thermopompe (voir Figure 12a).
5. Rétablir l'alimentation à la thermopompe et au système de commande de la piscine et du spa.

4.5.1.2 Configurer le Tableau de Commande

1. Assurez-vous que la commande est en mode **ARRÊT**.
 2. Pour entrer en mode Configuration Entretien, appuyer et maintenir les boutons **MENU**, **POOL (PISCINE)**, et **SPA** pendant 5 secondes.
- REMARQUE** L'affichage retournera à ARRÊT une minute après la dernière touche appuyée.
3. Appuyer sur le bouton Précédent ou Suivant pour afficher **CONTROLE A DISTANCE**. Appuyer sur le bouton **MENU**. **CONTROLE A DISTANCE DESACTIVE** (à distance par défaut) s'affiche, utiliser le bouton Précédent ou Suivant pour défiler jusqu'aux options À Distance. Lorsque vous atteignez **HI-LO-COM**, appuyer sur le bouton **MENU** pour sélectionner la télécommande. Appuyer sur **POOL (PISCINE)** ou **SPA** pour sortir du mode Configuration Entretien.

4.5.2 Branchement à Deux Fils à un AquaLink® RS ou TSTAT

4.5.2.1 Configurer le système de commande de AquaLink RS

1. Mettre hors tension à la fois le système de commande de la piscine et du spa et l'unité de thermopompe.
2. Connectez deux (2) fils aux bornes vertes 1 et 2 à 10 broches de AquaLink RS.
3. Mettez DIP S2-1 (broche no.1 sur le commutateur DIP à quatre position) en position ON (Voir Figure 13).

4.5.2.2 Installer le TSTAT à Distance

1. Mettre hors tension à la fois le système de commande de la piscine et du spa et l'unité de thermopompe.
2. Retirer les quatre (4) vis liant le tableau d'entretien et

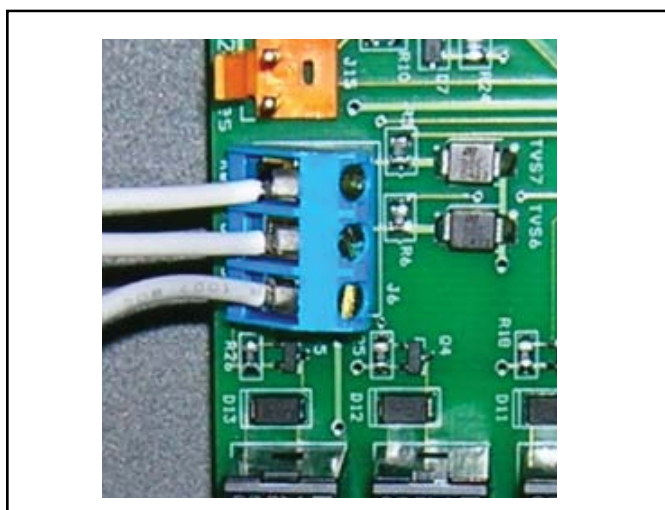


Figure 12a. Connexion à un sélecteur Pool-Off-Spa (Piscine-Arrêt-Spa) à distance (Connexion à 3-fils)

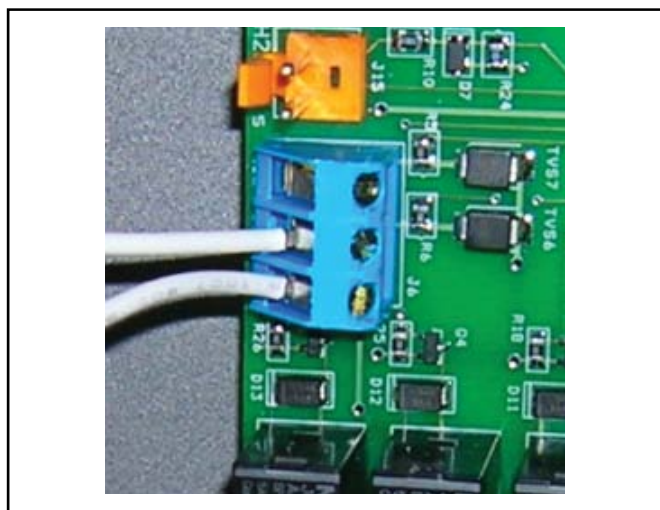


Figure 12b. Connexion à AquaLink® RS ou TSTAT à distance (Connexion à 2 fils)

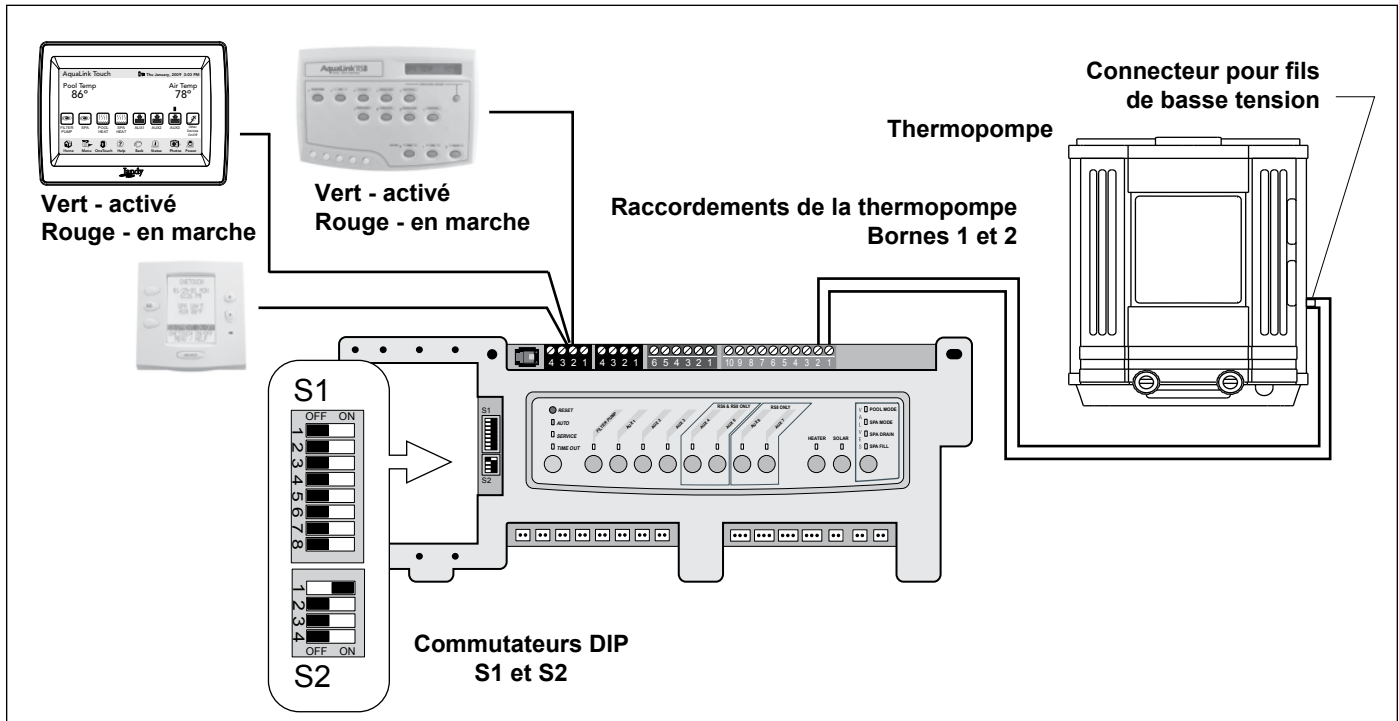


Figure 13. AquaLink RS à la thermopompe EE-Ti

- d'accès à l'unité de thermopompe et au couvercle de la boîte de jonction (Voir Figure 11).
- Acheminer les câbles du système de commande de la piscine et du spa à la connexion du conduit étiquetée « Connexion de basse tension », située du côté inférieur droit de la thermopompe (Voir Figure 11).
- Connecter le câblage depuis le système de commande de la piscine et du spa jusqu'à la borne de la télécommande de la thermopompe (Voir Figure 12b).
- Rétablir l'alimentation à la thermopompe et au système de commande de la piscine et du spa.

4.5.2.3 Configurer le Tableau de Commande

- Assurez-vous que la commande est en mode **DESACTIVE**.
- Pour entrer dans le mode Configuration Entretien, appuyer et maintenir les boutons **MENU**, **POOL (PISCINE)**, et **SPA** pendant 5 secondes.

REMARQUE

L'affichage retournera à ARRÊT une minute après la dernière touche appuyée.

- Appuyer sur le bouton Précédent ou Suivant pour afficher **CONTROLE A DISTANCE**. **CONTROLE A DISTANCE DESACTIVE** (télécommande par défaut) s'affiche, utiliser le bouton Précédent ou Suivant pour défiler jusqu'aux options Télécommande. Lorsque vous atteignez **COMMANDE TSTAT**, appuyer sur le bouton **MENU** pour sélectionner la télécommande. Appuyer sur **POOL (PISCINE)** ou **SPA** pour sortir du mode Configuration Entretien.

- Appuyer sur **SPA**. Pour le chauffage, régler le point de consigne au réglage maximum. Pour le refroidissement, régler le point de consigne au réglage minimum.

4.5.3 Branchement à quatre fils à AquaLink® RS 485 Communication

- Confirmez la compatibilité des révisions de logiciel de la thermopompe EE-Ti et de l'AquaLink RS (Voir Figure 14).

REMARQUE Seule une puce de programme révision « N » ou supérieure, dans le système RS pourra fonctionner avec l'interface de thermopompe EE-Ti.

- Coupez l'alimentation à la fois à la thermopompe et au contrôle RS, puis ouvrez l'enceinte de protection du centre d'alimentation RS et retirez le panneau avant.
- Retirez les deux (2) vis qui maintiennent la lunette en place et retournez cette dernière pour visualiser la carte de circuit imprimé à l'arrière.
- Repérez la puce de programme sur la carte du centre d'alimentation. La lettre de la révision se trouve au centre de la puce. Si la lettre de la révision est « **N** » ou supérieure, passez à l'étape 5. Si le niveau de la révision est « **MMM** » ou inférieur, remplacez la carte ou faites la connexion tel qu'illustré dans la Section 4.5.2.
- Utilisez un câble à 4 fils conducteurs de calibre 22 (Code d'article Jandy 4278) entre la thermopompe et le contrôle RS, et faites correspondre l'ordre des couleurs des fils.

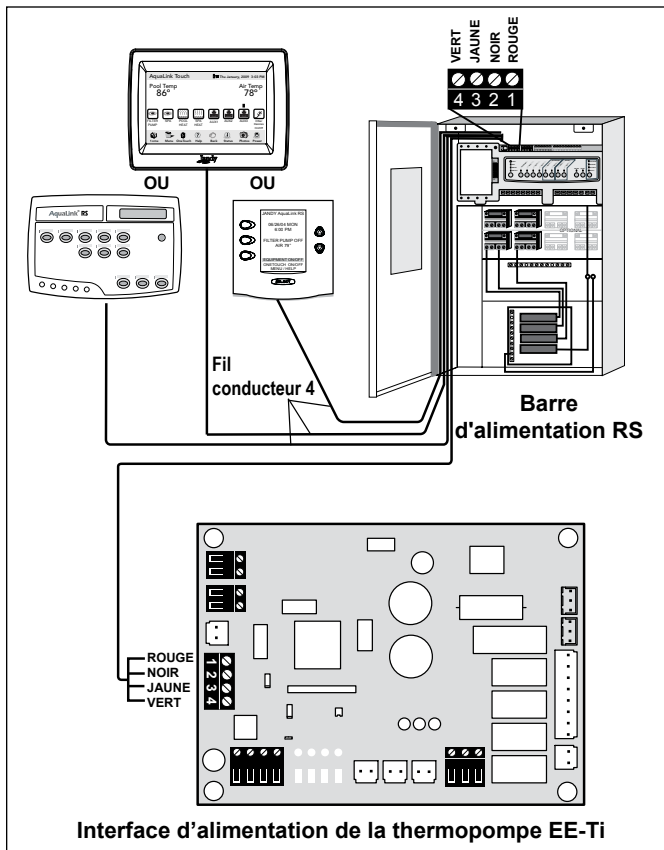


Figure 14. Branchement de la thermopompe EE-Ti au centre d'alimentation

6. Les fils électriques provenant de la thermopompe EE-Ti peuvent être « doublés » sur la barrette de borne rouge à l'aide des quatre (4) fils électriques provenant du contrôleur intérieur.

REMARQUE Si vous devez installer plus de deux (2) fils électriques sur chaque borne, commandez un ensemble de carte de centre d'alimentation Jandy Multiplex, qui comprend la carte Multiplex (Code d'article Jandy 6584). Ne mettez jamais plus de deux (2) fils électriques sur chacune des broches de la barrette à borne.

7. Vérifiez tous les fils, puis mettez à la fois la thermopompe et le système de contrôle RS sous tension. Le fonctionnement peut être vérifié en mode service ou automatique. Voir le manuel du système de contrôle RS pour des instructions d'utilisation.

Lorsque la thermopompe AE-Ti est alimentée pour la première fois et qu'un contrôle RS lui est connecté, l'affichage de la thermopompe affiche « **MENU EN LIGNE POUR DÉSACTIVER À DISTANCE JANDY** ». Lorsque la thermopompe AE-Ti est en ligne avec le contrôle RS, toutes les fonctionnalités du contrôle de la thermopompe sont désactivées. Les fonctions de la thermopompe peuvent être contrôlées uniquement au niveau de l'unité RS.

Pour utiliser temporairement les contrôles de la thermopompe, appuyez sur le bouton MENU. Le message « **MENU EN LIGNE POUR DÉSACTIVER**

À DISTANCE JANDY » disparaîtra de l'affichage de la thermopompe. Toutes les fonctionnalités ont été maintenant rendues au contrôle de la thermopompe. Dans ce mode, l'unité RS ne contrôle plus la thermopompe.

Pour rendre l'unité RS de nouveau fonctionnelle, allumez puis éteignez l'alimentation de la thermopompe ou appuyez sur le bouton MENU pendant 5 secondes pour entrer en mode Initialisation par l'utilisateur, puis activez la commande à distance Jandy.

Révision de logiciel de l'interface d'alimentation de la thermopompe EE-Ti	Révision de logiciel AquaLink® RS
3.0 ou plus récent	N ou plus récent

REMARQUE Si plus de deux (2) éléments doivent être branchés au connecteur rouge à 4 broches de la centrale d'alimentation, un circuit imprimé Multiplex est requis.

4.5.4 Connexion à une Interface d'Utilisateur Secondaire

1. Couper l'alimentation en courant de la thermopompe.
2. Retirer les quatre (4) vis qui attachent le tableau d'entretien et d'accès à la thermopompe et enlever le couvercle de la boîte de jonction. Voir figure 11.
3. Acheminer quatre (4) câbles solides de cuivre de 22 Ga dans le conduit étiqueté « Low Voltage Connection » (Connexion de basse tension) situé du côté inférieur droit de la thermopompe. Voir Figure 11. Les câbles peuvent avoir une longueur de 300 pieds (91,4 m)
4. Connecter les câbles à la borne à 4 positions au coin supérieur gauche du circuit imprimé de l'interface de contrôle étiquetée « Interface Utilisateur 1 ». Les câbles seront ajoutés au câblage existant et à l'Interface Utilisateur installée sur la thermopompe.
5. Assurez-vous que le câblage est cohérent lors de la connexion des câbles à la seconde Interface Utilisateur. Par exemple, BK va à BK, O va à O, etc.
6. Réinstaller le couvercle de la boîte de jonction et le tableau d'entretien et d'accès et restaurer l'alimentation à la thermopompe.

Section 5. Fonctionnement

⚠ ATTENTION

N'utilisez pas cet appareil s'il a été plongé dans l'eau, même partiellement. Faites inspecter l'appareil par un technicien qualifié et remplacez toute partie du système de contrôle et toute commande qui ont été plongés dans l'eau.

⚠ ATTENTION

Ne posez aucun objet sur le dessus de l'appareil. Il pourrait empêcher la circulation de l'air, ce qui risquerait d'endommager l'appareil et d'annuler la garantie.

5.1 Précautions de Démarrage Initial

Assurez-vous qu'il y a de l'eau dans la piscine et que le niveau de la surface est au-dessus du système d'écumage ou d'une autre entrée du système de filtrage de la piscine.

Faites fonctionner la pompe à filtre avec la thermopompe arrêtée suffisamment longtemps pour complètement nettoyer l'eau pour toute nouvelle piscine ou installation de spa. Cela enlèvera tout résidu d'installation de l'eau.

Nettoyer le filtre à la fin de cette opération avant de démarrer la thermopompe. Lorsque vous élevez la température d'une piscine d'eau froide, programmer l'horloge pour faire fonctionner la pompe en continue.

Cela permet au système de filtrage et à la thermopompe de fonctionner continuellement jusqu'à ce que l'eau atteigne le réglage de température sur la commande de température. Lorsque cela survient, la thermopompe s'arrête automatiquement, mais la pompe à filtre continue à fonctionner.

5.2 Faire Fonctionner le Contrôleur

Votre nouvelle thermopompe est contrôlée par un contrôleur à microprocesseur évolué qui fournit une interface sophistiquée bien que simple pour l'utilisation optimale et agréable de votre thermopompe et votre piscine. Pour localiser les boutons de contrôle, voir Figure 15.

5.2.1 Mode Arrêt

Lorsque le tableau de contrôle est éteint, l'écran affiche **POMPE CHALEUR OFF SELEC. PISCINE OU SPA**.

5.2.2 Mode Piscine - (Chaleur Normale)

Pour activer le mode Piscine, appuyer sur **POOL (PISCINE)**. Le voyant DEL vert à gauche associé s'allumera et l'unité affichera **SET : XXX°**.

REMARQUE *XXX* représente le réglage de température en cours sur la commande. Le réglage par défaut pour la température de piscine est de 26°C.

Vous pouvez changer le point de consigne de température en appuyant sur le bouton **Précédent** ou **Suivant**. APPUYER PLUSIEURS fois sur le bouton **Précédent** ou **Suivant** jusqu'à ce que vous atteigniez le point de consigne de température désiré. Après 5 secondes d'inactivité, le nouveau point de consigne est enregistré en mémoire.

Lorsque la température de l'eau chute d'un degré sous le réglage de température *et* après un délai de 5 minutes, la commande démarrera la thermopompe et le voyant DEL à droite associé passera au ROUGE.

5.2.3 Mode Piscine - (Maintien de Chaleur en Option)

En cas de connexion, le mode Maintien de Chaleur permet à la thermopompe de surveiller la température de l'eau 24 heures par jour en mettant la pompe en marche et en vérifiant la température de l'eau.

Un Relais Maintenir Temp est requis (fourni) et la fonction doit être activée.

Lorsque la température de l'eau chute sous le point de consigne de température programmé, la commande enclenche la thermopompe.

Pour une utilisation en mode Piscine avec la fonction Maintien de chaleur, appuyer sur **POOL (PISCINE)**, puis appuyer sur le bouton **MENU**, appuyer sur le bouton **Suivant** jusqu'à ce que **MAINT. CHAUFF. PISC.** s'affiche, appuyer sur le bouton **MENU**.

Le voyant DEL à gauche associé passera au vert et l'unité affichera **SET : XXX°**. Modifier le point de consigne de température en appuyant sur le bouton **Précédent** ou **Suivant** jusqu'à ce que le point de consigne désiré s'affiche. Après 5 secondes d'inactivité, le nouveau point de consigne est enregistré en mémoire.



Figure 15. Panneau de commande principal

5.2.4 Mode Spa - (Chaleur Normale)

Pour activer le mode Spa, appuyer sur **SPA**. Le voyant DEL vert à gauche associé s'allumera et l'unité affichera

SET : XXX°.

REMARQUE *XXX* représente le réglage de température en cours sur la commande. Le réglage par défaut pour la température du Spa est 38°C (102°F).

Vous pouvez changer le point de consigne de température en appuyant sur le bouton **Précédent** ou **Suivant**. **APPUYER PLUSIEURS fois sur le bouton Précédent ou Suivant** jusqu'à ce que vous atteigniez le point de consigne de température désiré. Après 5 secondes d'inactivité, le nouveau point de consigne est enregistré en mémoire. Lorsque la température de l'eau chute de 1 degré sous le réglage de température *et* après un délai de 5 minutes, la commande enclenche la thermopompe et le voyant DEL à droite associé passe au ROUGE.

5.2.5 Mode Spa - (Maintien de Chaleur en Option)

En cas de connexion, le mode Maintien de Chaleur permet à la thermopompe de surveiller la température de l'eau 4 heures par jour en mettant la pompe en marche et en vérifiant la température de l'eau

Un Relais Maintenir Temp est requis (fourni) et la fonction doit être activée.

Lorsque la température de l'eau chute sous le point de consigne de température programmé, la commande enclenche la thermopompe.

Pour une utilisation en mode Spa avec la fonction Maintien de chaleur, appuyer sur **SPA**, puis appuyer sur **MENU**, appuyer sur le bouton **Suivant** jusqu'à ce que **MAINT. CHAUFF. SPA** s'affiche, appuyer sur le bouton **MENU**. Le voyant DEL à gauche associé passera au vert et l'unité affichera **SET : XXX°**. Modifier le point de consigne de température en appuyant sur le bouton **Précédent** ou **Suivant** jusqu'à ce que le point de consigne désiré s'affiche. Après 5 secondes d'inactivité, le nouveau point de consigne est enregistré en mémoire.

5.3 Fonctions d'Utilisation d'Unités Hybrides avec Refroidisseur en Option

REMARQUE Le refroidisseur est un équipement en option. Toutes les unités ne sont pas dotées d'un refroidisseur.

5.3.1 Mode Piscine - (Refroidissement Normal)

Pour activer le mode Piscine, appuyer sur **POOL (PISCINE)**. Le voyant DEL vert à gauche associé s'allumera et l'unité affichera **SET : XXX°**.

REMARQUE *XXX* représente le réglage de température en cours sur la commande. Le réglage par défaut pour la température de piscine est de 26°C (80°F).

Appuyer sur le bouton **MENU**. Appuyer sur le bouton Précédent ou **Suivant** jusqu'à atteindre **REFROID. PISCINE**, appuyer sur le bouton **MENU**. Vous pouvez changer le point de consigne de température en appuyant sur le bouton **Précédent** ou **Suivant**. **APPUYER PLUSIEURS fois sur le bouton Précédent ou Suivant** jusqu'à ce que vous atteigniez le point de consigne de température désiré. Après 5 secondes d'inactivité, le nouveau point de consigne est enregistré en mémoire. Lorsque la température de l'eau s'élève d'un degré au dessus du point de consigne de température *et* après un délai de 5 minutes, la commande enclenche la thermopompe et le voyant DEL à droite associé passera au VERT.

5.3.2 Mode Piscine - (Maintien du Refroidissement en Option)

En cas de connexion, le mode Maintien de Refroidissement en option permet à l'unité de surveiller la température de l'eau 24 heures par jour en mettant la pompe en marche et en vérifiant la température de l'eau.

Un Relais Maintenir Temp est requis (fourni) et la fonction doit être activée.

Lorsque la température de l'eau s'élève au-dessus du réglage de température désiré, la commande mettra l'unité en marche et le voyant DEL vert à droite associé s'allumera.

Pour une utilisation en mode piscine avec la fonction Maintien de Refroidissement, appuyer sur **POOL (PISCINE)**, puis appuyer sur **MENU**, puis appuyer sur le bouton **Suivant** jusqu'à ce que **MAINT. REFROID. PISC.** s'affiche, appuyer sur le bouton **MENU**. Le voyant DEL vert à gauche associé s'allumera et l'unité affichera **SET : XXX°**. Modifier le point de consigne de température en appuyant sur le bouton **Précédent** ou **Suivant** jusqu'à ce que le point de consigne désiré s'affiche. Après 5 secondes d'inactivité, le nouveau point de consigne est enregistré en mémoire.

5.3.3 Mode Spa - (Maintien de Refroidissement en Option)

En cas de connexion, le mode Maintien de Refroidissement permet à la thermopompe de surveiller la température de l'eau 24 heures par jour en mettant la pompe en marche et en vérifiant la température de l'eau.

Un Relais Maintenir Temp est requis (fourni) et la fonction doit être activée.

Lorsque la température de l'eau s'élève au-dessus du point de consigne de température programmé, la commande mettra l'unité en marche.

Pour une utilisation en mode Spa avec la fonction Maintien de Refroidissement, appuyer sur **SPA**, puis appuyer sur **MENU**, appuyer sur le bouton **Suivant** jusqu'à

ce que **MAINT. REFROID. SPA** s'affiche, appuyer sur le bouton **MENU**. Le voyant DEL vert à gauche associé s'allumera et l'unité affichera **SET : XXX°**. Modifier le point de consigne de température en appuyant sur le bouton **Précédent** ou **Suivant** jusqu'à atteindre le point de consigne désiré. Après 5 secondes d'inactivité, le nouveau point de consigne est enregistré en mémoire.

5.4 Options Configuration Utilisateur

Les options Configuration Utilisateur permet à l'utilisateur de sélectionner des langues spécifiques, l'échelle de température, la minuterie du Spa et les options d'éclairage de l'affichage.

5.4.1 Configuration de la Langue

1. Assurez-vous que la commande est en mode **DESACTIVE**.
2. Pour entrer en mode Configuration Utilisateur, appuyer et maintenir le bouton **MENU** pendant 5 secondes.

REMARQUE L'affichage retournera à la position **ARRÊT** une minute après avoir appuyé une touche pour la dernière fois.

3. Pour sélectionner une langue, utiliser le **Up** or **Down** bouton pour afficher **CONFIG UTILISATEUR LANGUE**. Appuyer sur le bouton **MENU**. Le **SELEC. LANGUE ANGLAISE** (langue par défaut) apparaît, utiliser le bouton **Précédent** ou **Suivant** pour défiler jusqu'aux options de langue. Quand vous atteignez la langue désirée, appuyer sur **MENU** le bouton pour sélectionner la langue. Appuyer sur **POOL (PISCINE)** ou **SPA** pour quitter le mode Configuration d'Utilisateur.

5.4.2 Configuration de l'Echelle de Température

1. Assurez-vous que la commande est en mode **ARRÊT**.
2. Pour entrer en mode Configuration Utilisateur, appuyer et maintenir le bouton **MENU** pendant 5 secondes.
3. Pour sélectionner l'échelle de température, utiliser le bouton **Précédent** ou **Suivant** pour défiler jusqu'à l'affichage **CONFIG UTILISATEUR ECHELLE TEMPERATURE**. Appuyer sur le bouton **MENU**. Le **ECHELLE TEMPERATURE °C (°F)** (échelle de temperature par défaut) apparaît, utiliser le bouton **Précédent** ou **Suivant** pour défiler. Lorsque vous atteignez l'échelle de température désirée, appuyer sur le bouton **MENU** pour sélectionner. Appuyer sur **POOL (PISCINE)** ou **SPA** pour quitter le mode Configuration d'Utilisateur.

5.4.3 Configuration de la Minuterie du Spa

1. Assurez-vous que la commande est en mode **ARRÊT**.
2. Pour entrer en mode Configuration Utilisateur, appuyer et maintenir le bouton **MENU** pendant 5 secondes.
3. Pour sélectionner la minuterie du spa, utiliser le bouton **Précédent** ou **Suivant** pour défiler jusqu'à l'affichage **CONFIG UTILISATEUR MINUTERIE SPA**. Appuyer sur le bouton **MENU**. Le **MINUTERIE SPA CONTINU** (paramètre par défaut de la minuterie spa) s'affiche. Pour mettre le spa indéfiniment en ou hors tension, appuyer sur le bouton **MENU** pour sélectionner.

Pour sélectionner la durée de fonctionnement du spa, utiliser le bouton **Précédent** ou **Suivant** pour défiler jusqu'à l'affichage **MINUTERIE SPA CHOISIR DUREE**. Appuyer sur le bouton **MENU** pour sélectionner. L'écran **SELEC. HEURE SPA 01:00 H** (paramètre de durée par défaut) apparaît. Utiliser le bouton **Précédent** ou **Suivant** pour sélectionner la durée de fonctionnement du spa (entre 15 mn et 23 heures par intervalle de 15 mn). Appuyer sur le bouton **MENU** pour sélectionner la durée de fonctionnement du spa. Appuyer sur **POOL (PISCINE)** ou **SPA** pour quitter le mode Configuration d'Utilisateur.

5.4.4 Configuration de l'Eclairage de l'Affichage

1. Assurez-vous que la commande est en mode **ARRÊT**.
2. Pour entrer en mode Configuration Utilisateur, appuyer et maintenir le bouton **MENU** pendant 5 secondes.
3. Pour sélectionner la configuration de l'éclairage d'affichage, utiliser le bouton **Précédent** ou **Suivant** pour défiler jusqu'à l'affichage **CONFIG UTILISATEUR ECLAIR. AFFICHAGE**. Appuyer sur le bouton **MENU**. Le **ECLAIR AFFICHAGE 2 MIN AVANT ARRET** (paramètre par défaut éclair affichage) s'affiche. Cette option permet à l'éclairage de l'affichage de s'éteindre après 2 minutes. Appuyer sur le bouton **MENU** pour sélectionner. Utiliser le bouton **Précédent** ou **Suivant** pour defiler jusqu'à l'affichage **ECLAIR. AFFICHAGE LUMIERE DESACTIVEE**, cette option permet à l'éclairage d'affichage de s'éteindre, appuyer sur le bouton **MENU** pour sélectionner. Utiliser le bouton **Précédent** ou **Suivant** pour defiler jusqu'à l'affichage **ECLAIR. AFFICHAGE LUMIERE ACTIVEE**, cette option permet à l'éclairage de l'affichage de s'allumer, appuyer sur

le bouton **MENU** pour sélectionner. Appuyer sur **POOL (PISCINE)** ou **SPA** pour quitter le mode Configuration d'Utilisateur.

5.5 Verrouillage du Point de Consigne

Assurez-vous que la commande est en **mode MARCHÉ [POOL (PISCINE) ou SPA]**, appuyer et maintenir les boutons **Précédent** et **Suivant** pendant 5 secondes. Le point de consigne sera verrouillé et la commande fonctionnera dans le mode précédent le verrouillage du point de consigne. Si l'on essaye de modifier le point de consigne pendant que la commande est au verrouillage du point de consigne, la commande affichera **VALEUR DE CONSIGNE BLOQUEE**. Pour déverrouiller le verrouillage du point de consigne, appuyer et maintenir les boutons **Précédent** ou **Suivant** pendant 5 secondes. L'unité affichera **VALEUR DE CONSIGNE DEBLOQUEE**.

5.6 Réglage du pressostat à eau

ATTENTION

Le manostat de pression d'eau doit être réglé de façon à ce que l'appareil cesse de fonctionner si la pompe s'arrête. Si le manostat est réglé pour se fermer lorsque le débit d'eau est trop faible, l'appareil risque de s'endommager. Réglez le manostat pour qu'il arrête l'appareil, et non pour qu'il le mette en marche.

Le pressostat est pré-réglé en usine pour se déclencher à 14 kPa. Ceci est le réglage minimum pour le pressostat à eau et fonctionne pour toutes les installations de base comme montré précédemment en Section 3.1 et Section 3.5 de ce guide. Configurer l'interrupteur de la pression d'eau uniquement si la thermopompe ne fonctionne pas lorsque *le débit correct est configuré pour l'unité* ou si la thermopompe ne s'éteint pas lorsque la pompe à filtre est désactivée. Occasionnellement, des configurations de plomberie inhabituelle ou des restrictions nécessaires dans la plomberie peuvent causer des problèmes de détection de pression. Dans ces situations, la configuration du système de plomberie peut nécessiter le réglage du pressostat à eau.

Le réglage du pressostat peut être nécessaire si toute partie de la tuyauterie du système de filtre est de d'un mètre ou plus au-dessus de la gaine isolante de la thermopompe.

Ne réglez pas le pressostat si la thermopompe est installée à plus de 1,5 m au-dessus ou 3 m en-dessous de la surface de la piscine. Consulter votre revendeur de Jandy local pour les recommandations.

REMARQUE Si la pompe à chaleur est installée à plus de 1,5 m au-dessus ou à moins de 3 m au-dessous de la surface de l'eau de la piscine, un interrupteur de débit doit être utilisé. Veuillez commander le n/p Zodiac R-0509700.

Dans certaines installations, la tuyauterie de la thermopompe vers la piscine est très courte. La contre-pression pourrait être trop faible pour déclencher le pressostat. Si cela arrive, il pourrait être nécessaire d'installer un raccord directif ou des coudes là où la tuyauterie de retour entre dans la piscine. Cela augmentera la contre-pression suffisamment pour que la thermopompe fonctionne convenablement. Si cette configuration est nécessaire, assurez-vous de vérifier que le débit du système est au-dessus du minimum requis de 114 lpm après que le raccord directif ou le coude ait été installé.

Assurez-vous que le filtre de la piscine est propre avant de faire un réglage quelconque du pressostat : Un filtre sale entravera le flux de l'eau et le pressostat ne pourra être réglé correctement.

Pour régler le pressostat :

1. Assurez-vous que toutes les vannes du système sont réglées pour permettre la circulation d'Eau dans la pompe à chauffage. Démarrer la pompe filtrante.
2. Régler la commande de la thermopompe pour demander la chaleur. Régler la commande de la thermopompe au mode « **CHAFF. PISCINE** ».
3. Si la commande de la thermopompe affiche « **AUCUN FLUX** » (Pas de circulation), alors la circulation dans le système pourrait être inférieure à l'écoulement minimum de 114 lpm nécessaire pour l'utilisation sécuritaire de la thermopompe. Rechercher et corriger tout problème d'écoulement avant de régler le pressostat à eau.
4. Retirer le tableau de commande d'accès à la thermopompe. Le pressostat à eau est situé dans le coin inférieur gauche du compartiment de commande.
5. Une fois que vous vous êtes assuré que le débit est au minimum de 114 lpm, tournez doucement la molette du manostat de pression d'eau dans le sens **contraire aux aiguilles d'une montre** jusqu'à ce que l'indicateur « **AUCUN FLUX** » (Pas de débit) disparaisse de l'afficheur. Rappelez-vous qu'il y a un délai avant la mise en marche du compresseur de la thermopompe.
6. Une fois que la thermopompe est en marche, arrêtez la pompe du filtre. La thermopompe doit s'arrêter immédiatement.
7. Si la thermopompe reste en marche lorsque la pompe du filtre est arrêtée, tournez la molette du manostat de pression d'eau dans le sens **des aiguilles d'une montre** jusqu'à ce que « **AUCUN FLUX** » (Pas de débit) soit affiché sur le panneau et que la thermopompe soit désactivée.
8. Vérifiez le réglage du manostat de pression d'eau en démarrant puis en arrêtant la pompe du filtre et en regardant l'indicateur de commande et en vérifiant que le générateur de chaleur fonctionne bien entre chaque changement de débit.
9. Si vous ne pouvez pas régler le manostat de pression d'eau pour vous adapter à la situation décrite ci-dessus, il faut ajouter un régulateur

de débit externe au système pour assurer que la thermopompe ne se mette pas en marche si le débit à travers l'échangeur de chaleur est insuffisant.

plastique ou autre matériel susceptible de retenir de l'humidité dans l'unité.

Section 6. Maintenance Générale

6.1 Composition chimique de l'eau

Proper chemical balances are necessary for sanitary bathing conditions as well as ensuring your heat pump's long life. Be sure to keep your chemical and mineral concentration levels within the values indicated in Table 3.

REMARQUE Pour les spas, il faut en outre changer l'eau en plus des traitements chimiques. Il est recommandé de changer l'eau du spa tous les 60 jours si l'usage est limité et tous les 30 jours si l'usage est intensif.

6.2 Préparation pour l'hiver

ATTENTION

La garantie sera annulée si l'appareil n'est pas hivernisé convenablement.

Dans les régions de gel possible, il faut protéger votre filtre de pompe et votre thermopompe contre les intempéries. Effectuez les étapes suivantes pour vidanger complètement la thermopompe (Voir Figure 16).

1. Coupez l'alimentation électrique de la thermopompe au niveau du coupe-circuit principal.
2. Coupez l'arrivée d'eau vers la thermopompe.
3. Déconnectez les raccords des tuyaux d'arrivée et de sortie d'eau qui se trouve au bas du panneau avant de la thermopompe. L'eau de l'échangeur thermique s'écoulera dans ces raccordements d'eau.
4. Couvrez uniquement le dessus de la thermopompe pour empêcher que des débris tombent dans l'unité. Ne couvrez pas les côtés de la thermopompe de

6.3 Démarrage au printemps

Si votre thermopompe a été préparée pour l'hiver, faites les choses suivantes pour remettre en marche le système au printemps :

1. Découvrez la thermopompe et inspectez le dessus et les côtés pour vous assurer qu'il y a ni débris ni problème structurel.
2. Connectez les raccords d'arrivée et de sortie d'eau au bas du panneau avant de la thermopompe.
3. Mettez en marche la pompe du filtre pour amener l'eau vers la thermopompe. Faites circuler de l'eau dans le système suffisamment longtemps pour que toute l'eau de la piscine passe dans le filtre. Vérifier qu'il n'y a pas de fuite sur la thermopompe et autour de celle-ci.
4. Vérifiez la composition chimique de l'eau de la piscine et équilibrez-la si nécessaire.
5. Mettez en marche l'alimentation électrique de la thermopompe au niveau du disjoncteur principal.

6.4 Inspection et entretien

Les thermopompes Jandy sont conçues et construites pour durer une fois qu'elles sont installées et qu'elles fonctionnent correctement dans des conditions normales. Les inspections périodiques sont importantes pour maintenir le bon fonctionnement de votre thermopompe en toute sécurité et son rendement année après année.

6.4.1 Inspection par le propriétaire

ATTENTION

N'utilisez pas cet appareil s'il a été plongé dans l'eau, même partiellement. Faites inspecter l'appareil par un technicien qualifié et remplacez toute partie du système de contrôle et toute commande qui ont été plongés dans l'eau

Tableau 3. Plages optimales de la composition chimique de l'eau

Test	Niveau Recommandé
Chlore libre ou	1,0 à 3,0 ppm
Bromure	2,0 à 4,0 ppm
pH	7,2 à 7,8 (Plages idéales étant de 7,4 à 7,6)
Alcalinité totale (AT)	80 à 120 ppm
Dureté calcique (DC)	175 à 400 ppm
Acide cyanurique	30 à 50 ppm
Matières dissoutes totales (MDT)	1 000 à 2 000 ppm (excluant NaCl dissous issu d'un générateur de sel de chlore)
* Niveaux de concentration fournis par « Basic Pool and Spa Technology » publié par APSP (Association of Pool and Spa Professionals).	

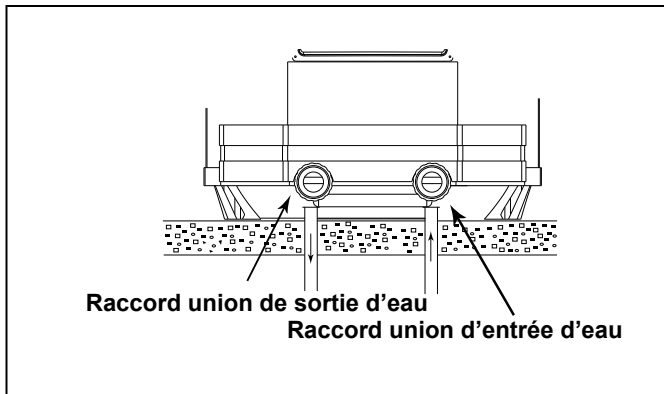


Figure 16. Hivernage de la thermopompe EE-Ti

Zodiac vous recommande d'inspecter votre thermopompe régulièrement surtout après des périodes au cours desquelles les conditions climatiques ont été anormales. Nous vous suggérons les directives d'inspection de base suivantes :

1. Gardez le dessus et les côtés de la thermopompe exempts de tout débris.
2. Taillez toutes les plantes et buissons pour qu'ils soient suffisamment éloignés de la thermopompe.

La thermopompe produit de la condensation (de l'eau) lorsqu'elle est en marche. La base de la thermopompe est conçue pour permettre à la condensation de sortir par l'orifice de vidange du bas lorsque l'unité est en marche. La condensation augmente proportionnellement au degré d'humidité de l'aire. Vérifiez les choses suivantes régulièrement pour assurer une vidange correcte de la condensation :

1. Inspectez visuellement et dégagez les orifices de vidange en bas de l'unité de tout débris susceptible de les obstruer.
2. Assurez-vous que l'eau de condensation ne forme pas une flaque dans la thermopompe
3. Assurez-vous que l'eau de condensation est correctement dirigée loin de la dalle sur laquelle repose l'équipement pour l'empêcher de sous-caver la dalle.

En fonctionnement normal, la thermopompe produit 11 à 19 litres d'eau de condensation par heure. Si la vidange de condensation sort de cette fourchette alors que l'unité est en marche ou si de l'eau continue à couler de la base lorsque la thermopompe s'arrête pendant plus d'une heure, il y a sans doute une fuite dans les circuits internes. Appelez un technicien qualifié pour les thermopompes pour chercher les causes du problème.

Gardez la vidange d'air supérieure et l'admission d'air exempts de tout débris de façon à ce que l'air circule bien dans la thermopompe. L'air soufflé par le refroidisseur en haut ne doit pas s'accumuler; il doit être tiré dans les serpentins d'admission d'air latéraux. Taillez toutes les plantes et buissons pour qu'il soient suffisamment éloignés de la thermopompe.

Assurez-vous que l'avant de l'unité est accessible pour les travaux d'entretien futurs.

Empêcher les têtes des gicleurs à gazon d'asperger la thermopompe pour empêcher la corrosion et les dommages. Utiliser un déflecteur si nécessaire.

Si vous avez installé l'unité sous un toit très pentu ou sous un toit qui n'as pas de gouttière, il faut installer une gouttière ou un déflecteur afin d'empêcher le déversement d'eau excessif dans l'unité.

6.4.2 Inspection par un professionnel

Une inspection professionnelle annuelle au minimum est requise (par un technicien qualifié) pour maintenir votre thermopompe en état et en garantir la sécurité et le rendement. Il faut effectuer les vérifications de base suivantes.

1. Vérifiez qu'aucun câble n'est desserré ou sectionné et vérifiez que les connexions aux bornes sont en bon état.
2. Vérifier le fonctionnement du pressostat ou de l'interrupteur de débit. Mettez la thermopompe sur OFF (Arrêt). Déconnectez l'alimentation électrique de l'horloge de la pompe ou tournez celle-ci en position Remettez la thermopompe sur ON (Marche). Le thermopompe ne doit pas se mettre en marche.
3. Inspectez les commandes électriques, surtout les éléments suivants:
 - a. Limites inférieures et supérieures
 - b. Pressostat ou interrupteur de débit
 - c. Commande de température
4. Inspectez le serpentin de l'évaporateur pour vous assurer qu'il n'est pas bloqué et nettoyez-le si nécessaire.
5. Vérifiez qu'il n'y a ni toile d'araignée ni débris dans le canal de drainage de l'eau condensée; nettoyez-le si nécessaire.
6. Lancez un cycle normal et assurez-vous que l'unité fonctionne bien.

Section 7. Maintenance et réparations par un professionnel

7.1 Conception de la thermopompe

La thermopompe Jandy est l'un des moyens les plus efficaces pour chauffer la piscine ou le spa. La thermopompe transfère la chaleur de l'air extérieur à la piscine ou au spa grâce à un échangeur de chaleur interne.

Lorsque l'on met en marche le ventilateur, de l'air tiède est forcé vers l'évaporateur chargé en frigorigène, ce qui fait passer le fluide frigorigène froid d'un état liquide à un état gazeux chaud. Le gaz passe alors à travers le compresseur dans lequel il est comprimé, ce qui fait significativement augmenter sa température.

Le gaz chaud entre dans l'échangeur de chaleur dans lequel l'eau extrait la chaleur. La pompe soutire de l'eau

froide de la piscine, ce qui fait revenir le gaz chaud à l'état de liquide frigorigène et le cycle recommence.

La thermopompe EE-Ti utilise un fluide frigorigène appelé R410A. C'est un fluide frigorigène sans danger pour l'ozone qui est accepté par l'EPA. R410A a des pressions opérationnelles et des capacités de refroidissement plus élevées que R-22 qui est le fluide frigorigène utilisé dans les thermopompes AE-Ti. Ainsi, R410A ne doit JAMAIS être utilisé dans une thermopompe AE-Ti.

L'EPA exige la certification pour l'achat ou l'utilisation du R410A. Il est recommandé que le personnel d'entretien soit formé en matières d'installation, d'entretien, de brasage et de maintenance. Les instructions sont similaires à celles utilisées par l'industrie pour le système R-22, toutefois, elles doivent être redéfinies pour les pressions opérationnelles plus élevées.

REMARQUE Le rendement de chauffage maximum d'une thermopompe dépend de la qualité et de la performance des composants principaux utilisés. Les facteurs environnementaux sont tout aussi importants (par exemple, la température de l'air, l'humidité, la température de l'eau et le vent).

7.2 Composants et fonctionnement de la thermopompe

L'Évaporateur - Lorsque l'air passe dans l'évaporateur, le frigorigène qui s'y trouve absorbe de la chaleur de l'air ambiant. Plus l'air ambiant est chaud, et plus l'évaporateur a une grande surface, plus l'évaporateur peut collecter de chaleur.

Ventilateur - Le ventilateur de la thermopompe produit un débit d'air élevé. Un débit d'air suffisant est requis pour que l'air tiède se déplace dans le gros évaporateur.

Compresseur - Le compresseur comprime le gaz frigorigène à une pression supérieure, ce qui en fait augmenter la température.

L'échangeur de chaleur - Dernière étape du processus de chauffage, l'échangeur de chaleur transfère la chaleur du gaz chaud vers l'eau. (Aussi connu sous le nom de condensateur.)

Robinet inverseur - (Pour les unités hybrides avec une option de refroidisseur et de dégivrage au gaz chaud) Le robinet inverseur inverse le flux du frigorigène, ce qui produit un transfert du gaz froid vers l'eau et donc une diminution de sa température.

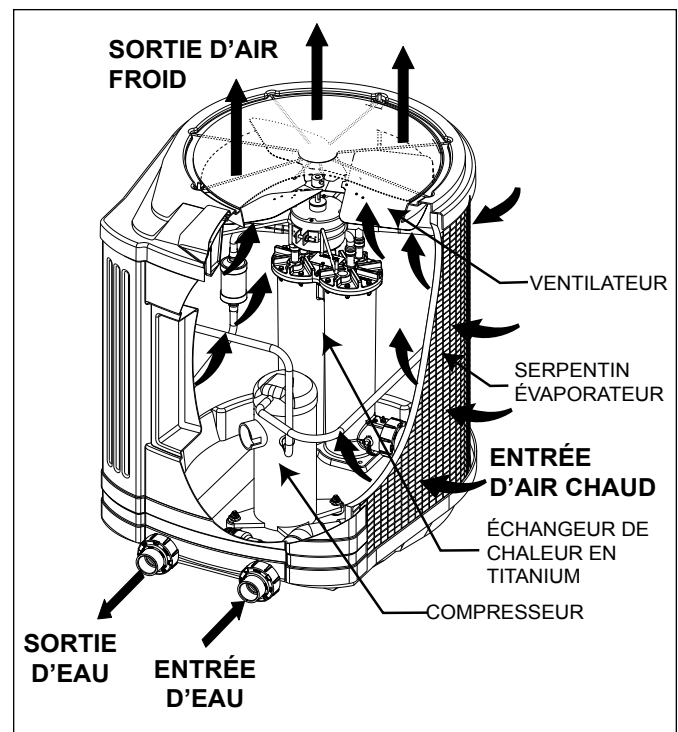


Figure 17. Aperçu de l'utilisation de la thermopompe

Section 8. Dépannage

8.1 Guide de dépannage

Le tableau suivant décrit les symptômes et les solutions des problèmes de dépannage généraux pour la thermopompe.

Tableau 4. Guide de dépannage de la thermopompe

SYMPTÔME	ACTION CORRECTIVE
La thermopompe ne démarre pas, aucun affichage sur le panneau de commandes.	Le disjoncteur ou un fusible a pu sauter. Remettez le disjoncteur ou le fusible en position de marche. Si la thermopompe ne fonctionne toujours pas, appelez un technicien pour réparation. Modèles triphasés seulement – Les phases sont peut-être inversées ou une phase est coupée, appelez un technicien pour réparation.
La thermopompe ne démarre pas, l’affichage du panneau de commandes fonctionne.	La thermopompe peut être soumise à une temporisation de 5 minutes. Assurez-vous que le thermostat du panneau de commande fait une demande de chauffage (vérifiez le paramètre du thermostat et la valeur de la température). Assurez-vous que la thermopompe n’est pas en mode de refroidissement.
La thermopompe fonctionne mais elle ne chauffe pas.	Vérifiez que de l’air froid est soufflé du haut de la thermopompe. Si vous venez d’installer la thermopompe ou si l’on a laissé refroidir l’eau de la piscine suffisamment, il faut faire fonctionner la thermopompe en continu durant 24 à 48 heures. Si la thermopompe est en service depuis un certain temps, augmentez le temps de la pompe de circulation ou activez l’option Maintenir la fonction de chauffage sur le panneau de commande. Si vous chauffez un spa, vérifiez qu’aucune conduite d’admission d’air n’est ouverte. Si la thermopompe ne marche toujours pas, appelez un technicien pour réparation.
La thermopompe ne fonctionne pas et le panneau de commande affiche : DEFAULT- AUCUN FLUX	Vérifiez que la pompe de circulation est en marche et que tous les robinets sont dans les positions correctes. Vérifiez que les filtres et que les récupérateurs sont propres. Vérifiez le niveau de l’eau dans la piscine. Fermez temporairement toutes les fontaines et chutes d’eau qui contournent l’admission d’eau du générateur de chaleur. Si cela ne corrige pas le problème, appelez un technicien pour réparation.
La thermopompe ne fonctionne pas et le panneau de commande affiche : DEFAULT- HAUTE PRESS REFRIG.	Vérifiez que la pompe de circulation est en marche et que rien ne retient l’eau vers la thermopompe. Assurez-vous que tous les robinets sont ouverts et dans les positions adéquates pour permettre un débit d’eau suffisant vers la thermopompe. Vérifiez que les filtres et que les récupérateurs sont propres. Vérifiez le niveau d’eau dans la piscine. Ce problème peut également apparaître si la thermopompe n’a pas fonctionné pendant longtemps. Pour supprimer l’erreur, démarrez et coupez la thermopompe 3 fois de suite. Si cela ne corrige pas le problème, appelez un technicien pour réparation.
La thermopompe ne fonctionne pas ou fonctionne avec des cycles très courts et le panneau de commande affiche le message : DEFAULT- BASSE PRESS REFRIG.	Vérifiez que le ventilateur fonctionne et que de l’air sort du haut de la thermopompe, même s’il fonctionne par cycles courts. Si la thermopompe ne fonctionne pas du tout, appelez un technicien pour réparation.
Fuite d’eau de la thermopompe.	Fuite possible au niveau de l’échangeur de chaleur ou d’une canalisation. Éteignez la thermopompe et éteignez la pompe de circulation pendant au moins une heure pour voir si la fuite d’eau s’arrête. Si elle s’arrête, une condensation normale se forme. Si la fuite d’eau continue, au minimum une heure après l’arrêt de la thermopompe, appelez un technicien pour réparation.

8.2 Diagnostics

En cas d'ouverture du pressostat ou d'une autre défaillance, l'écran LCD indiquera une défaillance jusqu'à ce que le problème soit résolu. Veuillez vous référer au tableau suivant pour la liste des problèmes diagnostiqués.

Tableau 5. Diagnostic de la thermopompe

DIAGNOSTIC	DESCRIPTION
DEFAULT- AUCUN FLUX	Débit d'eau trop faible ou retenu dans la thermopompe. Le robinet de dérivation externe est dans une position incorrecte ou le manocontact de débit d'eau fonctionne mal. Le manocontact de débit d'eau s'ouvre, ce qui crée une erreur, et la pompe s'arrête.
DEFAULT- BASSE PRESS REFRIG.	Lorsque la température ambiante est basse, la pression d'aspiration peut chuter significativement. Cette erreur entraîne l'ouverture du manocontact de basse pression et l'automate arrête le compresseur.
DEFAULT- HAUTE PRESS REFRIG.	Lorsque la pression de refoulement augmente trop, le manocontact de haute pression s'ouvre et entraîne l'arrêt immédiat de la thermopompe. L'automate détecte cette erreur et arrête le compresseur jusqu'à ce que le manocontact se referme.
DEFAULT- TEMP EAU ELEVEE.	Lorsque la température de la PISCINE ou du SPA atteint ou dépasse le maximum autorisé, il y a danger pour quiconque se trouverait dans l'eau. Le thermostat de l'eau lit cette température et l'automate arrête la thermopompe à moins que celle-ci soit en mode REFROIDISSEUR. Cette fonction reste également active lorsque l'automate commande un chauffage au moyen d'un thermostat à distance. Cela assure que la température de l'eau n'atteint pas des niveaux anormalement hauts en raison d'une défaillance potentielle d'un capteur à distance.
DEFAULT- SONDE AIR C.CIRCUIT -or- DEFAULT- SONDE AIR OUVERTE	Dans le cas où le capteur de température des serpentins est défaillant ou n'est pas connecté, l'automate arrête la thermopompe.
DEFAULT- SONDE EAU C.CIRCUIT -or- DEFAULT- SONDE EAU OUVERTE	Dans le cas où le capteur de température de l'eau est défaillant ou n'est pas connecté, l'automate arrête la thermopompe.

Section 9. Pièces de rechange

9.1 Comment commander

Pour commander ou acheter des pièces pour les modèles EE-Ti des thermopompes, communiquer avec le revendeur ou distributeur de produits Jandy le plus proche. Visitez le site Web de Jandy à www.jandy.com pour connaître le centre de service le plus proche. S'ils ne peuvent pas vous fournir ce dont vous avez besoin, communiquez avec le service à la clientèle de Zodiac, téléphone : (800) 822-7933.

9.2 Liste de pièces des thermopompes Jandy EE-Ti

Clé N°	Description	Numéro du modèle	Ordre Pièce n°	Clé N°	Description	Numéro du modèle	Ordre Pièce n°
1	Enceinte supérieure, chemise	1500	R3009700	21	Compresseur (83 K), triphasé	3000	R0510800
1	Enceinte supérieure, chemise	2000, 2500, 3000	R3009100	22*	Soupape d'expansion thermiques,	1500	R0509501
2	Panneau d'accès de service	Tout	R3000500		4 tonnes		
3	Couvercle de panneau de commande - fumé	Tout	R3000601	22*	Soupape d'expansion thermique,	2000	R0509502
4	Moteur de ventilateur, 1/6 HP, 230 VCA	1500	R3000703	22*	Soupape d'expansion thermique,	2500	R0509503
4	Moteur de ventilateur, 1/2 HP, 230 VCA	2000, 2500, 3000	R3000701	22*	Soupape d'expansion thermique,	3000	R0509504
5	Contacteur, monophasé	Tout	R3000801	23	23 cm Récepteur	Tout	R0522500
5	Contacteur, triphasé	2000, 2500, 3000	R3000802	24	Capteur de température de l'eau	Tout	R3002900
6	Transformateur, 240V 24VA	Tout	R3000901	25*	Interrupteur triphasé (modèles triphasés seulement)	2000, 2500, 3000	R3003000
7	Interrupteur réglable de pressostat	Tout	R3001000	26	Sonde de température de l'air	Tout	R3003100
8	Condensateur, moteur de ventilateur, 3/370 MFD	1500	R3001101	27*	Robinet inverseur (optionnel)	2500R, 3000R	R3003801
8	Condensateur, moteur de ventilateur, 7.5/370 MFD	2000, 2500, 3000	R3001100	28*	Ensemble de supports de fixation	Tout	R3003203
9	Condensateur, compresseur, 60/370 (monophasé seulement)	1500	R3001204	29*	Ensemble de drainage de la thermopompe	Tout	R3004100
9	Condensateur, compresseur, 80/370 (monophasé seulement)	2000, 2500, 3000	R3001203	30	Couvercle de boîte de jonction	Tout	R3004600
10	Ensemble de régulateur, universel	Tout	R3008800	31	Interface d'électricité PCB	Tout	R3009200
11	Interrupteur haute pression du frigorigène, 650-460 psi	Tout	R0509900	32	Relais de ventilateur	Tout	R3009300
12	Interrupteur basse pression du frigorigène, 58-127 psi	Tout	R0510001	33	Déshydrateur de filtre, 164s	1500	R0490904
12	Interrupteur basse pression du frigorigène, 35-74 psi	2500R, 3000R	R0510002	33	Déshydrateur de filtre, 165s	2000, 2500, 3000	R0490905
13	Ensemble de faisceau électrique (non illustré)	Tout	R3009000	33	Déshydrateur de filtre, 165s à deux débits	2500R, 3000R	R0490906
14	Ensemble de pales de ventilateur	1500	R3001701	34*	Ensemble de soupape de dérivation Composants en option	Tout	R3001900
14	Ensemble de pales de ventilateur	2000, 2500, 3000	R3001700	35*	Ensemble de réparation Plast-aid	Tout	R0490800
15	Grille de protection	1500	R3001801	36*	Ensemble de démarrage rapide	1500	R0528300
15	Grille de protection	2000, 2500, 3000	R3001800	37*	Interrupteur de débit	Todos	R0509700
16	Ensemble de plomberie	1500	R0561601				
16	Ensemble de plomberie	2000, 2500, 3000	R0561602				
17	Raccord universel, ensemble de contrefort	Tout	R0472700				
18	Serpentin évaporateur/grille	1500	R0510201				
18	Serpentin évaporateur/grille	2000	R0510202				
18	Serpentin évaporateur/grille	2500	R0510203				
18	Serpentin évaporateur/grille	3000	R0510204				
20	Ensemble de remplacement d'échangeur de chaleur, 1X8	1500	R0561405				
20	Ensemble de remplacement d'échangeur de chaleur, 2x6	2000	R0561406				
20	Ensemble de remplacement d'échangeur de chaleur, 2x7	2500	R0561407				
20	Ensemble de remplacement d'échangeur de chaleur, 2x8	3000	R0561408				
21	Compresseur (40K), monophasé	1500	R0510300				
21	Compresseur (61K), monophasé	2000	R0510400				
21	Compresseur (68K), monophasé	2500	R0510500				
21	Compresseur (83K), monophasé	3000	R0510600				
21	Compresseur (61K), triphasé	2000	R0510900				
21	Compresseur (68K), triphasé	2500	R0510700				

* Non-illustré

9.3 Diagramme éclaté de thermopompes Jandy EE-Ti

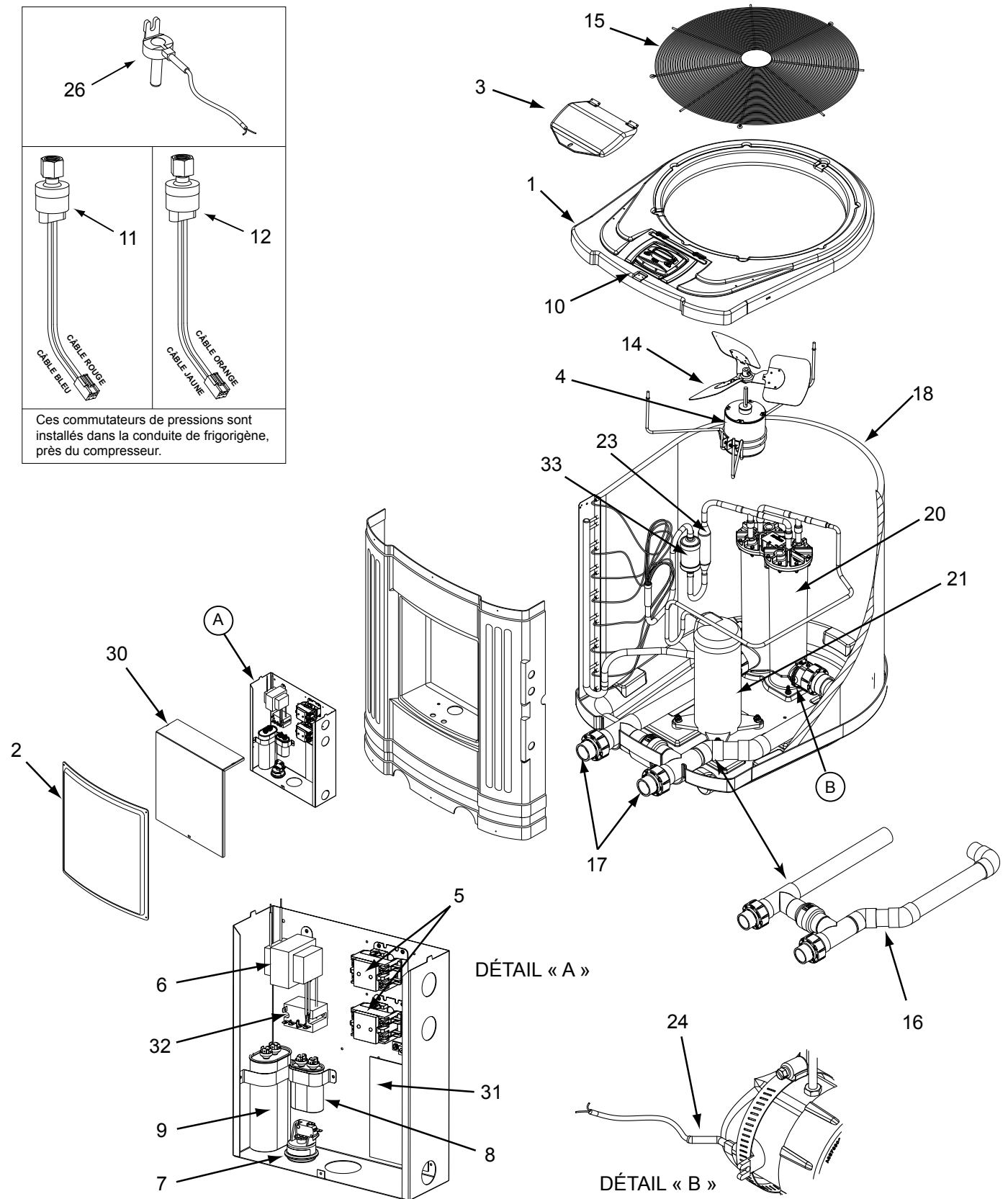
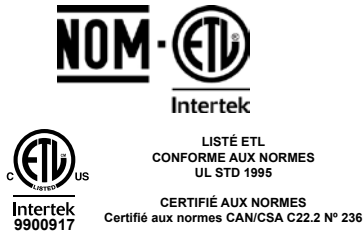


Figure 18. Vue éclatée des thermopompes Jandy EE-Ti (EE2000 illustré)

Zodiac Pool Systems, Inc.
2620 Commerce Way, Vista, CA 92081
1.800.822.7933 | www.ZodiacPoolSystems.com



ZODIAC® est une marque déposée de Zodiac International, SASU, utilisée sous licence. Toutes les autres marques citées sont la propriété respective de leur propriétaire.

©2012 Zodiac Pool Systems, Inc. H0335800 Rev H 1206



Bombas de Calor Jandy® Modelo EE-Ti



ADVERTENCIA

PARA SU SEGURIDAD – Este producto debe ser instalado por un técnico con licencia en HVAC que sea certificado en la reparación y mantenimiento de la bomba de calor por la jurisdicción en la cual el producto sea instalado donde tales requisitos estatales o locales existan. El técnico debe tener y cumplir con todas las certificaciones y reglamentos relativos a la compra, manipulación, transporte y recuperación de refrigerante R410A. En el caso que ningún requisito del estado o local exista, el instalador o el personal de mantenimiento debe ser un profesional con suficiente experiencia en la instalación y el mantenimiento del equipo de piscina para poder seguir todas las instrucciones de este manual exactamente. Antes de instalar este producto, lea y siga todos los avisos e instrucciones que acompañan a este producto. La falta de seguir avisos e instrucciones puede dar lugar a daños materiales, daños corporales, o muerte. La instalación y/o la operación incorrecta pueden crear un peligro eléctrico que puede causar lesiones graves, daños materiales, o muerte. La instalación y/o la operación incorrecta anularán la garantía.

INDICE

Sección 1. Información General.....67	
1.1 Introducción.....67	
1.2 Información al Consumidor y Seguridad.....67	
1.2.1 Reglas de Seguridad para Spa/Jacuzzi.....67	
1.2.2 Consejos de Ahorro de Energía en las Piscinas de Natación.....68	
1.3 Garantía.....69	
1.4 Códigos y Estándares.....69	
1.5 Asistencia Técnica.....69	
1.6 Materiales Necesarios para la Instalación.....69	
1.6.1 Materiales para todas las Instalaciones.....69	
1.6.2 Materiales Recomendados para las Instalaciones.....69	
1.7 Especificaciones.....69	
1.7.1 Especificaciones Generales.....69	
1.7.2 Dimensiones.....69	
1.7.3 Especificaciones Técnicas.....69	
Sección 2. Instrucciones de Instalación ..71	
2.1 Información General.....71	
2.2 Requerimientos de Ubicación.....71	
2.2.1 Introducción.....71	
2.2.2 Espacio.....72	
2.2.3 Plataforma del Equipo.....72	
2.2.4 Condensación y Drenaje.....72	
2.2.5 Sistemas de Riego.....72	
2.2.6 Desagüe de Techo.....72	
2.2.7 Instalación de Anclas.....72	
Sección 3. Conexiones Hidraulicas.....73	
3.1 Conexión Hidraulica.....73	
3.2 Conexiones Hidraulicas en la Bomba de Calor.....74	
3.3 Instalación de la Válvula de Antirretorno.....74	
3.4 Válvula de Control de Flujo Automática.....74	
3.5 Instalación de una Unidad Múltiple.....74	
3.5.1 Combinación de Bomba de Calor y Calentador.....74	
3.5.2 Instalación de Bombas de Calor Múltiples.....75	
Sección 4. Conexiones Eléctricas75	
4.1 Información General.....75	
4.2 Encendido Principal.....80	
4.3 Unión.....80	
4.4 Conexión de la Bomba (Función de Mantenimiento de Temperatura).....80	
4.5 Controles Remotos Opcionales.....80	
4.5.1 Conexión a un Selector Remoto Piscina-Apagado-Spa (Conexión Trifásica).....80	
4.5.1.1 Instalación del Selector Remoto Piscina-Apagado-Spa.....80	
4.5.1.2 Configuración del Panel de Control.....80	
4.5.2 Conexión de dos cables a un AquaLink® RS o Termostato (TSTAT).....81	
4.5.2.1 Configure el sistema de control del AquaLink® RS.....81	
4.5.2.2 Instalación del TERMOSTATO REMOTO...81	
4.5.2.3 Configuración del Panel de Control.....81	
4.5.3 Comunicación de las Conexiones Tetrafilares al AquaLink® RS 485.....81	
4.5.4 Conexión de Panel de Control Adicional.....83	
Sección 5. Operación.....83	
5.1 Precauciones para el Encendido Inicial.....83	
5.2 Operación del Panel de Control.....83	
5.2.1 Modo Off.....83	
5.2.2 Modo Piscina - (Calor Normal).....83	
5.2.3 Modo Piscina – (Mantenimiento del Calor Opcional).....84	
5.2.4 Modo Spa – (Calor Normal).....84	
5.2.5 Modo Spa – (Mantenimiento del Calor Opcional).....84	
5.3 Funciones de Operación de Unidades Híbridas con Enfriador Opcional.....84	
5.3.1 Modo Piscina – (Frío Normal).....84	
5.3.2 Modo piscina – (Mantenimiento de Frío Opcional).....85	
5.3.3 Modo Spa – (Mantenimiento de Frío Opcional).....85	
5.4 Opciones de Configuración del Usuario.....85	
5.4.1 Configuración de Idioma.....85	
5.4.2 Configuración de Escala de Temperatura.....85	
5.4.3 Configuración del Temporizador del Spa.....85	
5.4.4 Configuración de la Luz de la Pantalla.....85	
5.5 Bloqueo del Valor de Consigna.....86	
5.6 Ajuste del Interruptor de Presión de Agua.....86	
Sección 6. Mantenimiento General.....87	
6.1 Química del Agua.....87	
6.2 Preparación para el Invierno.....87	
6.3 Encendido de Primavera.....87	
6.4 Inspección y Operaciones de Servicio.....88	
6.4.1 Inspección del Propietario.....88	
6.4.2 Inspección Profesional.....88	
Sección 7. Mantenimiento y Servicio Profesional.....89	
7.1 Diseño de la Bomba de Calor.....89	
7.2 Componentes de la Bomba de Calor y las Formas de Operarlos.....89	
Sección 8. Solución de Problemas.....90	
8.1 Guía de Solución de Problemas.....90	
8.2 Diagnósticos.....91	
Sección 9. Repuestos92	
9.1 Información de Pedidos.....92	
9.2 Lista de Repuestos para las Bombas de Calor Jandy EE-Ti.....92	
9.3 Vista Ampliada de la Bomba de Calor Jandy EE-Ti .93	

Figuras y Tablas

Figura 1.	Dimensiones de la Bomba de Calor Jandy EE-Ti71	Tabla 1.	Especificaciones Técnicas de la Bomba de Calor EE-Ti70
Figure 2.	Posición de Anclas.....73	Tabla 2.	Espacios para la Bomba de Calor72
Figura 3.	Instalación de Ancla.....73	Tabla 3.	Óptimo Balance del Agua87
Figura 4.	Hidráulica para Sistema Básico.....74	Tabla 4.	Guía de Solución de Problemas para la Bomba de Calor.....90
Figura 5.	Hidráulica para Sistemas de Calentamiento Combinados.....75	Tabla 5.	Diagnósticos de la Bomba de Calor.....91
Figura 6.	Hidráulica de dos Bombas de Calor76		
Figura 7.	Hidráulica de Cuatro Bombas de Calor76		
Figura 8.	Diagrama de Cableado Monofásico.....77		
Figura 9.	Diagrama de Cableado Trifásico.....78		
Figura 10.	Ejemplo de "MANTENER LA TEMP" con el Cableado al Crono-Interruptor79		
Figura 11.	Vista Frontal de la Bomba de Calor EE-Ti79		
Figura 12a.	Conexión a un Selector Remoto Piscina-Apagado-Spa (Conexión de 3 Cables)81		
Figura 12b.	Conexión a AquaLink RS o TERMOSTATO REMOTO (Conexión Bifásica)81		
Figura 13.	Cableado AquaLink RS a Bomba de Calor EE-Ti82		
Figura 14.	Conexión de la Bomba de Calor EE-Ti al Centro de Alimentación.....82		
Figura 15.	Panel de Control Principal84		
Figura 16.	Preparación para el Invierno de la Bomba de Calor EE-Ti87		
Figura 17.	Vista General del Funcionamiento de la Bomba de Calor89		
Figura 18.	Vista Ampliada de la Bomba de Calor Jandy EE-Ti (EE2000 ilustrado).....93		

Sección 1. Información General

1.2.1 Reglas de Seguridad para Spa/Jacuzzi

1.1 Introducción

Este manual provee instrucciones de instalación y operación para las bombas de calor Jandy modelos EE-Ti. Lea todas las instrucciones de instalación y operación antes de realizar la instalación. Consulte a Zodiac Pool System si tiene preguntas acerca de este equipo. Para obtener más copias de este manual, comuníquese al (800) 822-7933. A continuación se encuentra la dirección de Zodiac:

Zodiac Pool System, Inc.
2620 Commerce Way
Vista, CA 92081 USA

Esta bomba de calor está específicamente diseñada para calentar piscinas de natación y spas. No utilizar como calentador de servicio general. Consulte a su distribuidor sobre los productos Jandy adecuados para estas aplicaciones.

NOTA “Las piscinas de natación y los spa” incluyen sistemas que utilizan unidades generadoras de agua salada y clorinada, como el generador electrónico de cloro AquaPure. Le rogamos se asegure de que el contenido salino en la piscina/spa *no exceda* las 4000 ppm y de que la tasa de flujo/medida del caudal de agua se encuentre entre los 30-125 gpm (110-475 lpm)

ATENCIÓN

Un instalador o un proveedor de servicios capacitado debe realizar la instalación y el mantenimiento.

Para el instalador: Después de la instalación, estas instrucciones deben quedar en manos del dueño o cerca de la bomba.



Para el usuario: Este manual contiene información importante que lo ayudará a operar y mantener la bomba de calor. Consérvelo para utilizarlo como referencia en el futuro.

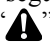
ADVERTENCIA

La Comisión de Seguridad de Productos para el Consumidor de los Estados Unidos advierte que las temperaturas elevadas pueden ser peligrosas. Consulte las instrucciones de instalación y funcionamiento del calentador para seguir las directrices relacionadas con la temperatura del agua antes de proceder a fijar la temperatura.

ADVERTENCIA

Al utilizar el spa deben observarse las siguientes “Reglas de Seguridad para Baños Calientes” recomendadas por la Comisión de Seguridad de Productos para el Consumidor de los Estados Unidos.

1.2 Información al Consumidor y Seguridad

La serie EE-Ti de bombas de calor está diseñada y fabricada para proveer muchos años de servicio confiable y seguro si son instaladas, operadas y mantenidas según la información de este manual y los códigos de instalación a los que se hacen referencia en las siguientes secciones. En todo el manual, las advertencias de seguridad y precaución están identificadas con el símbolo “”. Asegúrese de leer y cumplir con todas las advertencias y precauciones.

1. El agua del spa o jacuzzi nunca debe exceder los 40°C. Se considera que 38°C es una temperatura segura para un adulto saludable. Se recomienda tener especial precaución con los niños.
2. Consumir bebidas alcohólicas antes o durante el uso del spa o jacuzzi puede producir somnolencia con la posibilidad de pérdida del conocimiento, y de forma consecuente resultar en ahogamiento.
3. **¡Atención mujeres embarazadas!** Sumergirse en agua que supera los 38.5°C puede provocar daño al feto durante los primeros tres meses de embarazo (que puede resultar en el nacimiento de un niño con daño cerebral o deformidades físicas). Si las mujeres embarazadas utilizarán un spa o jacuzzi, deben asegurarse de que la temperatura del agua se encuentre como máximo por debajo de los 38°C.
4. La temperatura del agua siempre debe ser verificada con un termómetro preciso antes de ingresar al spa o jacuzzi. Los controles de temperatura puede variar como máximo en 1°C.
5. Las personas con antecedentes de enfermedades cardíacas, diabetes, problemas circulatorios o tensión arterial, deben consultar al médico antes de utilizar el jacuzzi o spa.
6. Las personas que toman medicinas que causan somnolencia (por ej., tranquilizantes, antihistamínicos, o anticoagulantes) no deben utilizar los spas o jacuzzis.
7. La inmersión prolongada en agua caliente puede producir hipertermia.

La hipertermia ocurre cuando la temperatura interna del cuerpo alcanza un nivel por encima de varios grados de la temperatura normal del cuerpo de 37°C. Los síntomas incluyen mareo, desmayo, ahogamiento, letargo y un aumento de la temperatura interna del cuerpo. Los efectos de la hipertermia incluyen:

- Falta de conciencia del peligro inminente
- Pérdida de la percepción del calor
- Falta de reconocimiento de que hay que salir del spa
- Incapacidad física para salir del spa
- Daño al feto en mujeres embarazadas
- Pérdida de la conciencia que puede producir un ahogamiento

1.2.2 Consejos de Ahorro de Energía en las Piscinas de Natación

Es importante notar que una bomba de calor no calentará la piscina con la rapidez de un calentador grande de gas o eléctrico para piscinas. Si se permite que el agua de la piscina se enfríe de forma significativa, puede tomar varios días para que adquiera la temperatura deseada. Para utilizar durante el fin de semana, es *más económico* mantener la temperatura del agua de la piscina cerca de la temperatura que desee. Si *no* planea utilizar su piscina durante un período prolongado, podría apagar por completo la bomba de calor o configurar la temperatura en el control de manera que sea varios grados menos y así minimizar el consumo de energía.

Jandy ofrece las siguientes recomendaciones para ayudar a conservar la energía y minimizar el costo de operación de su bomba de calor sin sacrificar el confort.

1. La Cruz Roja de Estados Unidos recomienda una temperatura de agua máxima de 25°C. Utilice un termómetro de piscina preciso. Una diferencia de 2°C, entre 26°C y 28°C, aumenta de forma significativa el consumo de energía.
2. Controle cuidadosamente la temperatura del agua de su piscina en el verano. Puede reducir el uso de la bomba de calor si se dan temperaturas de aire más cálidas.
3. Durante el invierno o vacaciones de más de una semana, apague la bomba de calor.
4. Encuentre la configuración apropiada en el control de temperatura de la bomba de calor y utilice la función para definir el valor de consigna (punto de ajuste) o trabe la tapa del controlador de la bomba de calor para que no se vuelva a regular la temperatura.
5. Configure el reloj de la bomba para que la bomba no empiece antes de las 6:00 AM en la temporada de calentamiento de la piscina. Esta es la hora en que la pérdida de calor se nivela todas las noches.
6. Cuando sea posible, proteja la piscina del viento con cubiertas bien ajustadas, toldos, o vallas.
7. Siempre que resulte práctico, utilice una cubierta especial para piscinas. Además de proveer una función de seguridad importante, una cubierta para este propósito reduce la pérdida de calor, conserva los agentes químicos y reduce la carga en los sistemas de filtrado.

1.3 Garantía

La bomba de calor modelo EE-Ti se vende con una garantía de fábrica limitada. Los detalles se encuentran especificados en la contratapa de este manual.

Realice todas las reclamaciones de garantía a un distribuidor Jandy autorizado o directamente a la fábrica. Las reclamaciones deben incluir el número de serie y el modelo de la bomba de calor (esta información se encuentra en la placa de valores nominales), la fecha de instalación y el nombre del instalador. Los costos de envío no están incluidos en la garantía.

La garantía no cubre los daños provocados por ensamblado, instalación, operación, preparación para el invierno, modificación de campo inadecuados o si no se conecta a tierra la unidad. Cualquier cambio a la bomba de calor, evaporador, intercambiador de calor, cableado o instalación inadecuada puede anular la garantía.

1.4 Códigos y Estándares

Según el listado de ETL, la bomba de calor modelo AE-Ti cumple con la última edición de las "Normativas UL para seguridad de equipos de calentamiento y enfriamiento", UL 1995 y CSA C22.2 No. 236.

Todas las bombas de calor Jandy deben ser instaladas conforme a los códigos de construcción e instalación locales según las empresas de servicio público o las autoridades que tengan jurisdicción. Todos los códigos locales tienen prioridad sobre los códigos nacionales. Para la instalación, en caso de que no haya códigos de aplicación local, refiérase a la última edición del Código Eléctrico Nacional® (NEC) en los Estados Unidos y al Código Eléctrico Canadiense® (CEC) en Canadá.

1.5 Asistencia Técnica

Consulte al Departamento de apoyo técnico de Jandy o a su distribuidor local Jandy si tiene preguntas o problemas relacionados con las especificaciones, la instalación y la operación de su equipo. El personal experimentado del equipo técnico está siempre disponible para asistirle en la aplicación y uso adecuados de los productos Jandy. Para apoyo técnico comuníquese con el Departamento de servicio técnico para bombas de calor Zodiac al (800) 822-7933.

1.6 Materiales Necesarios para la Instalación

1.6.1 Materiales para todas las Instalaciones

Los siguientes elementos son necesarios y serán suministrados por el instalador para *todas* las instalaciones de bombas de calor:

1. Conexiones de plomería, (5 cm).
2. Superficie nivelada para un drenaje adecuado.
3. Línea de alimentación eléctrica adecuada. Vea la placa de valores nominales de la unidad para obtener las especificaciones eléctricas. No se necesita una caja terminal en la bomba de calor. Las conexiones se realizan dentro del compartimiento eléctrico de la bomba de calor. El conducto puede unirse directamente a la carcasa de la bomba de calor.

NOTA Se recomienda un conducto tipo flexible, aprobado por los códigos de instalación locales, para conectar los cables de alimentación eléctrica a la bomba de calor para que el panel frontal pueda quitarse fácilmente durante el mantenimiento.

4. Interruptor de corte eléctrico (desconexión) para cortar la energía a la unidad. Este interruptor *debe* estar a la vista de la bomba de calor.
5. Conducto impermeable para pasar la línea de alimentación eléctrica.

1.6.2 Materiales Recomendados para las Instalaciones

Jandy recomienda instalar válvulas de aislamiento en las conexiones de toma y salida de agua para que el servicio de mantenimiento sea más fácil.

1.7 Especificaciones

1.7.1 Especificaciones Generales

Apropiado para el uso en interiores y exteriores. Se deben respetar los espacios libres que se muestran en la Tabla 2.

Conexión de la Tubería de Agua/Calentador

Plástico	PVC de 5 cm (uniones incluidas)
----------	------------------------------------

Tasa de Flujo/Medida del Caudal

Máxima	475 lpm
Óptima	230 lpm
Mínima	114 lpm

Valor Máximo de Presión de Agua

75 psi

Alimentación Eléctrica

Requerimientos de Voltaje	
Monofásico	230 VAC 60Hz
Trifásico	230 VAC 60Hz (Depende del modelo)

Presión de Trabajo Máxima del Refrigerante

650 psi

1.7.2 Dimensiones

Véase Figura 1, un diagrama que muestra las dimensiones de la bomba de calor y las dimensiones para las conexiones más importantes.

1.7.3 Especificaciones Técnicas

Véase Table 1, para la especificaciones técnicas de la bomba

Tabla 1. Especificaciones Técnicas de la Bomba de Calor EE-Ti

MODELO	EE1500T	EE2000T	EE2000T-263	EE2500T	EE2500T-R	EE2500T-263	EE2500T-R263	EE3000T	EE3000T-R	EE3000T-263	EE3000T-R263
VOLTAJE	230/60/1	230/60/1	230/60/3	230/60/1	230/60/1	230/60/3	230/60/3	230/60/1	230/60/1	230/60/1	230/60/3
RENDIMIENTO*	70,000 BTUs	112,000 BTUs	120,000 BTUs	120,000 BTU	120,000 BTU	140,000 BTUs	140,000 BTUs	140,000 BTUs	140,000 BTUs	140,000 BTUs	140,000 BTUs
ENTRADA*	3.3 kW	5.1 kW	5.6 kW	5.6 kW	5.6 kW	6.7 kW	6.7 kW	6.7 kW	6.7 kW	6.7 kW	6.7 kW
COP*	6.4	6.4	6.3	6.3	6.3	6.1	6.1	6.1	6.1	6.1	6.1
RENDIMIENTO, CONDICIONES ESTÁNDARES DE POTENCIA**	60,000 BTUs	93,000 BTUs	105,000 BTUs	105,000 BTUs	105,000 BTUs	130,000 BTUs	130,000 BTUs	130,000 BTUs	130,000 BTUs	130,000 BTUs	130,000 BTUs
COP, CONDICIONES ESTÁNDARES DE POTENCIA**	5.4	5.4	5.5	5.5	5.5	5.5	5.5	5.5	5.5	5.5	5.5
RENDIMIENTO, BAJO AMBIENTE**	40,000 BTUs	64,000 BTUs	72,000 BTUs	72,000 BTUs	72,000 BTUs	85,000 BTUs	85,000 BTUs	85,000 BTUs	85,000 BTUs	85,000 BTUs	85,000 BTUs
COP, BAJO AMBIENTE**	4.0	4.0	4.0	4.0	4.0	4.0	4.0	4.0	4.0	4.0	4.0
RLA (AMPERIOS UNIDAD FUNCIONANDO)	21A	26.9A	19.2A	26.9A	26.9A	23A	23A	26.9A	26.9A	26.9A	26.9A
LRA (AMPERIOS ARRANQUE DE COMPRESOR)	115A	145A	190A	145A	145A	160A	160A	145A	145A	145A	190A
AMPACIDAD DE CIRCUITO MÍNIMA	28A	37A	27A	37A	37A	32A	32A	37A	37A	37A	36A
PROTECCIÓN MAX SOBRECORRIENTE***	45A	60A	45A	60A	60A	50A	50A	60A	60A	60A	60A
INTERCAMBIADOR DE CALOR	Titanio										
COMPRESOR	40K Scroll	61K Scroll	68K Scroll	68K Scroll	68K Scroll	83K Scroll	83K Scroll	83K Scroll	83K Scroll	83K Scroll	83K Scroll
GABINETE	ABS										
REFRIGERANTE	64 Oz. R410A	74 Oz. R410A	90 Oz. R410A	90 Oz. R410A	90 Oz. R410A	90 Oz. R410A	90 Oz. R410A	114Oz. R410A	124 Oz. R410A	114Oz. R410A	124 Oz. R410A
ALARMA DE ALTA PRESIÓN DEL REFRIGERANTE	650 PSI (reanuda a 460 PSI)										
ALARMA DE BAJA PRESIÓN DEL REFRIGERANTE - UNIDADES DE CALOR	58 PSI (reanuda a 127 PSI)										
ALARMA DE BAJA PRESIÓN DEL REFRIGERANTE - UNIDADES REVERSIBLES	35 PSI (reanuda a 74 PSI)										
ALARMA DE FLUJO/CAUDAL DE AGUA BAJO	114 lpm										
ALTURA MÁXIMA POR DEBAJO DEL NIVEL DE AGUA	3 metros por debajo del nivel de la piscina										
ALTURA MÍNIMA POR ENCIMA DEL NIVEL DE AGUA	1.5 metros por encima del nivel de la piscina										
FLUJO/CAUDAL DE AGUA ÓPTIMO	230 lpm										
FLUJO/CAUDAL DE AGUA MÍNIMO	114 lpm										
FLUJO/CAUDAL DE AGUA MÁXIMO	475 lpm										
FLUJO DE AIRE	58 m³/min	117 m³/min									
DIFERENCIAL DE TEMPERATURA DEL AGUA (DELTA T)	Ajustes entre 1°C - 5°C										
TAMAÑO DE LA UNIONES	5 cm										
PESO	225 lbs	325 lbs									
NIVEL SONORO SEGÚN ISO 3471	58.9 dBa										
RENDIMIENTO - Enfriador****	NA	71,000 BTUs									
ENTRADA - Enfriador****	NA	6.9 kW									
COP - Enfriador****	NA	3.01									
RENDIMIENTO - Enfriador*****	NA	87,000 BTUs									
ENTRADA - Enfriador*****	NA	7.4 kW									
COP - Enfriador*****	NA	3.46									

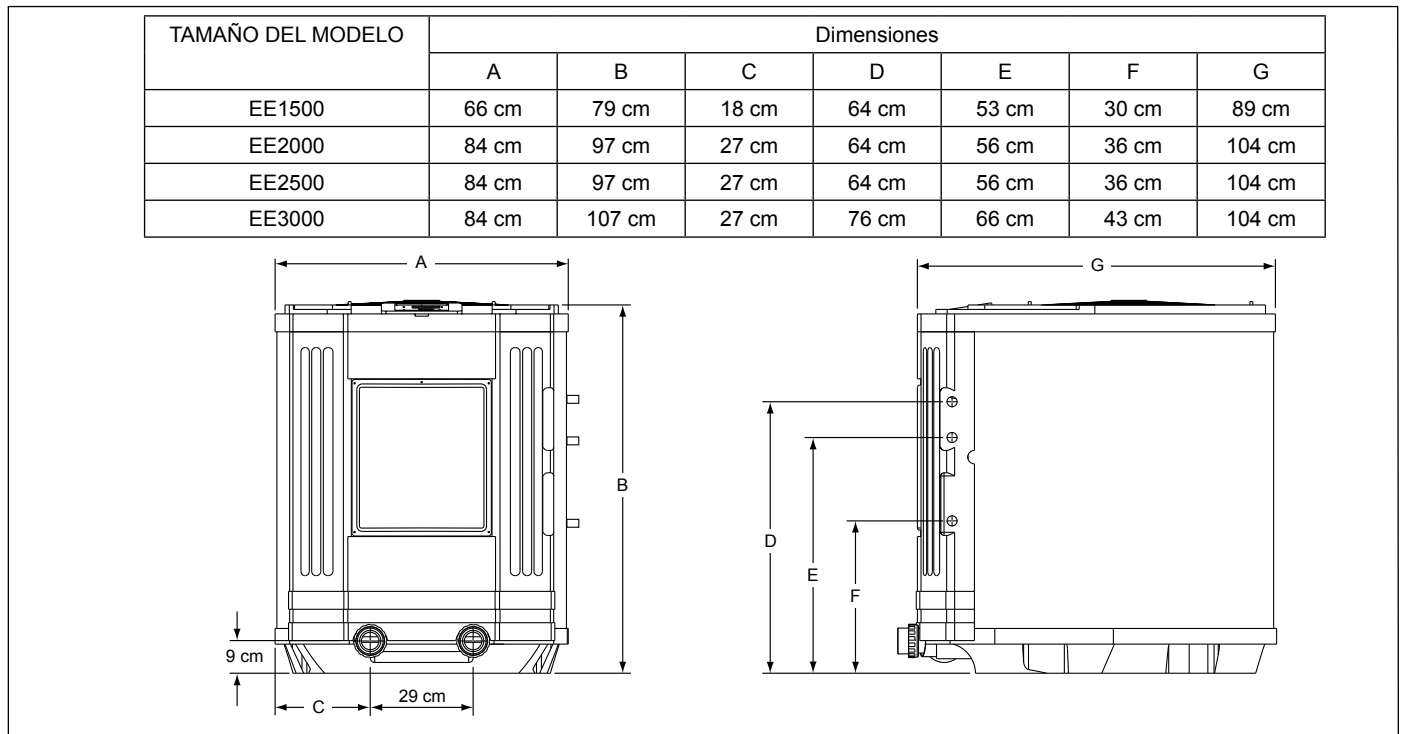
* Condiciones de prueba: aire a 26°C, 80% de humedad relativa, agua a 26°C, Fuera del alcance de la norma 1160 (P-I) de AHRI.

** Clasificado de acuerdo con la norma 1160 (P-I) de AHRI.

*** Protección Max Sobrecorriente- se refiere al tamaño máximo permitido para el interruptor diferencial. Si este valor no es un tamaño estándar de interruptor diferencial, use el que le siga en menor tamaño. El tamaño del interruptor diferencial no puede ser menor al valor de Ampacidad mínima del circuito.

**** Condiciones de prueba: Modo enfriador, aire a 36°C, 80% de humedad relativa, agua a 26°C, Fuera del alcance de la norma 1160 (P-I) de AHRI

***** Condiciones de prueba: Modo enfriador, aire a 36°C, 80% de humedad relativa, agua a 35°C, Fuera del alcance de la norma 1160 (P-I) de AHRI

Figura 1. Dimensiones de la Bomba de Calor Jandy EE-Ti

Sección 2. Instrucciones de Instalación

2.1 Información General

Instale las bombas de calor Jandy según los procedimientos de este manual, los códigos y ordenanzas locales y la última edición del código nacional correspondiente (Véase Sección 1.4, “Códigos y estándares”). Para asegurar una operación segura se requiere una instalación correcta. Los requerimientos para las bombas de calor Jandy incluyen lo siguiente:

1. Ensamblado sobre el terreno (si es necesario).
2. Ubicación y espacios libres adecuados.
3. Ventilación de aire adecuada.
4. Cableado adecuado.
5. Flujo/caudal de agua adecuada.

Este manual provee la información necesaria para satisfacer estos requerimientos. Revise por completo todos los procedimientos de aplicación e instalación antes de continuar con la instalación.

2.2 Requerimientos de Ubicación

2.2.1 Introducción

NOTA Las instalaciones a cubierto requieren consideraciones especiales para el drenaje de condensación y ventilación del aire frío producidas por la bomba de calor. Llame al Departamento de servicio técnico para bombas de calor Zodiac al (800) 822-7933.

⚠ PRECAUCIÓN

Cuando el equipo de la piscina esté situado por debajo de la superficie de la piscina, la fuga de cualquiera de los componentes, podría ocasionar la pérdida de grandes cantidades de agua o inundación. Zodiac Pool Systems, Inc. no se responsabiliza de dichas pérdidas de agua o inundaciones, ni de los daños que puedan derivarse de las mismas.

Evite ubicar la bomba de calor en lugares que puedan provocar daños por fugas de agua o condensación. Si esto no es posible, provea un recipiente de drenaje adecuado para recoger y desviar cualquier tipo de fuga. Todos los criterios que se brindan en las siguientes secciones reflejan el espacio libre mínimo. Sin embargo, cada instalación también debe ser evaluada teniendo en cuenta las condiciones locales que tienen prioridad, como por ejemplo la proximidad y la altura de las paredes y la proximidad a las áreas de acceso público.

2.2.2 Espacio

La bomba de calor debe ser ubicada de forma que haya suficiente espacio libre en todos los lados para realizar el mantenimiento y la inspección en un futuro. Véase Tabla 2.

Un acceso de 60 cm en la parte frontal de la bomba de calor provee espacio adecuado para realizar operaciones de servicio. Si la bomba de calor será instalada en un garaje o un alero, la unidad debe contar con un espacio mínimo de 1,5 metros en la parte superior de la misma. En los EE. UU. se recomienda que la bomba de calor sea instalada por lo menos a 1,5 metros de la pared interior de la piscina o spa a menos que se encuentre separada de la piscina o spa por una cerca alta y sólida de 1,5 metros u otra barrera permanente.

En Estados Unidos, esta bomba de calor deberá instalarse a una distancia de al menos 1,5 metros de la pared interior de la piscina; a menos que la bomba de calor esté separada de la piscina mediante una valla sólida de 1,5 metros de altura u otra barrera permanente.

En las instalaciones efectuadas en Canadá, la distancia mínima que se debe mantener desde la pared interior de la piscina o spa es de 3 metros.

2.2.3 Plataforma del Equipo

Ubique la bomba de calor sobre una superficie ligeramente elevada como, por ejemplo, concreto o losa (plataforma). Esto permite un drenaje adecuado de la condensación y agua de lluvia desde la base de la unidad. De ser posible, la plataforma debería estar ubicada al mismo nivel o ligeramente más arriba que la plataforma del equipo del sistema de filtro.

NOTA Asegúrese de que no esté elevada a más de 1 cm por cada 30 centímetros hacia el extremo del compresor (frontal) de la bomba de calor. Elevar desde atrás hacia adelante 1 cm por cada 30 centímetros como máximo y nivelar de lado a lado.

Tabla 2. Espacios para la Bomba de Calor

Lado de la bomba de calor	Espacio mínimo para operar	Espacio recomendado para dar mantenimiento
Frente	15 cm	60 cm
Parte trasera	15 cm	30 cm
Izquierda	15 cm	30 cm
Derecha	15 cm	30 cm
Parte superior	150 cm	150 cm

NOTA Los espacios en la Tabla 2 son los valores probados por el fabricante. Estos son valores mínimos. En caso de que códigos locales y nacionales apliquen, y si estos valores son diferentes a los listados en la Tabla 2, utilice el mayor para asegurar una operación apropiada y segura.

2.2.4 Condensación y Drenaje

La condensación de la bobina de evaporación ocurre mientras la unidad está en funcionamiento y drena a una tasa estable, por lo general de 11 a 19 litros por hora, según la temperatura del aire y la humedad en el ambiente. Cuanto más humedad haya en el ambiente, más condensación se producirá. La parte inferior de la unidad actúa como una bandeja que recoge la condensación y el agua de lluvia. Mantenga libre de suciedad el orificio de drenaje, ubicado a la derecha de la base de la unidad.

Si la bomba de calor está instalada bajo techo, se debe proveer una forma de desechar la condensación. El orificio de drenaje en la base de la bomba de calor cuenta con un adaptador opcional barbado de 2 cm de diámetro. (Véase Sección 9, “Repuestos”). Si se usa un adaptador barbado, conecte una porción de 2 cm del tubo (12 cm incluidos en la parte número R3004100) al adaptador, luego conduzcalo hacia un drenaje o hacia fuera del edificio para eliminar el condensado. **Es importante recordar que ninguna parte de la tubería o manguera debe estar por encima del nivel del orificio de drenaje ubicado en la base de la bomba de calor.**

2.2.5 Sistemas de Riego

Mantenga la bomba de calor fuera del alcance de sistemas de riego para prevenir la corrosión y daño. Utilice un deflector si fuera necesario.

2.2.6 Desagüe de Techo

Asegúrese de que la bomba de calor no esté ubicada donde grandes cantidades de agua desagüen del techo a la unidad. Los techos muy inclinados y sin canales permitirán que caigan sobre la unidad grandes cantidades de agua de lluvia mezclada con suciedad. Para proteger la bomba de calor puede ser necesario un canal o tubo para desagüe de aguas pluviales.

2.2.7 Instalación de Anclas

En Florida, los códigos de construcción requieren que la bomba de calor esté anclada a la base o plataforma del equipo para resistir las altas presiones producidas por vientos huracanados.

Esta bomba de calor viene con anclas para sujetar la unidad a la base o plataforma. Se recomienda la instalación de anclas en todas las instalaciones y su uso es requerido en Florida (refiérase al Código de construcción de Florida, Sección mecánica 301.13).

Instrucciones para instalar anclas:

1. Asegúrese de que la bomba de calor esté situada en su ubicación permanente sobre la plataforma del equipo.
2. Extraiga las anclas del paquete de instalación e instrucciones.

NOTA Los tornillos y pernos para el ancla no están incluidos con la bomba de calor. Zodiac recomienda utilizar tornillo y arandela de 1/4" x 1 3/4" de concreto galvanizado o plateado para montar la abrazadera a la base del equipo.

3. Coloque las anclas en la base de la bomba de calor en las posiciones indicadas en la Figura 2.

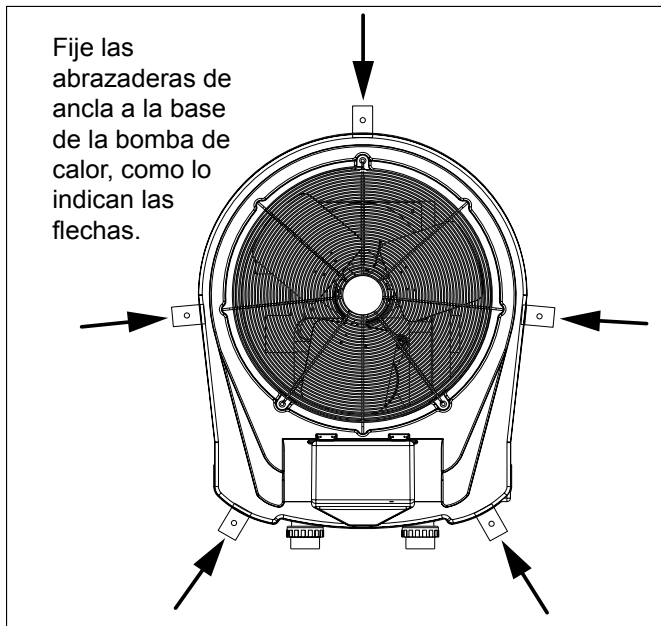


Figure 2. Posición de Anclas

NOTA Para instalar las abrazaderas en el *frente* de la bomba de calor, se debe aflojar la tapa delantera de manera que se pueda colocar la prensa de sujeción sobre el borde de la base. Asegúrese de volver a ajustar la tapa delantera del panel a la bomba de calor.

4. Encaje el gancho de cada prensa de sujeción sobre el borde de la base del panel de la bomba de calor. El gancho debe encajar entre el borde del panel de la base y la protección de la bobina del evaporador (véase Figura 3).
5. Marque la posición del agujero de cada ancla en la base del equipo.
6. Usando un taladro con broca para cemento con un diámetro determinado según el tipo de ancla, haga un agujero en cada una de las marcas de la base del equipo. El agujero debe tener una profundidad de aproximadamente 3,8 cm.
7. Inserte un perno para ancla en cada uno de los agujeros. Asegúrese de que las anclas queden colocadas completamente en los agujeros.
8. Coloque las prensas de sujeción del ancla de modo que los agujeros en las prensas de sujeción queden sobre el perno de las anclas. Asegúrese de que la prensa de sujeción se enganche sobre el borde de la base de la bomba de calor (véase Figura 3).
9. Coloque un perno en cada prensa de sujeción (en el ancla) para afianzar la prensa y la bomba de calor a la base del equipo.

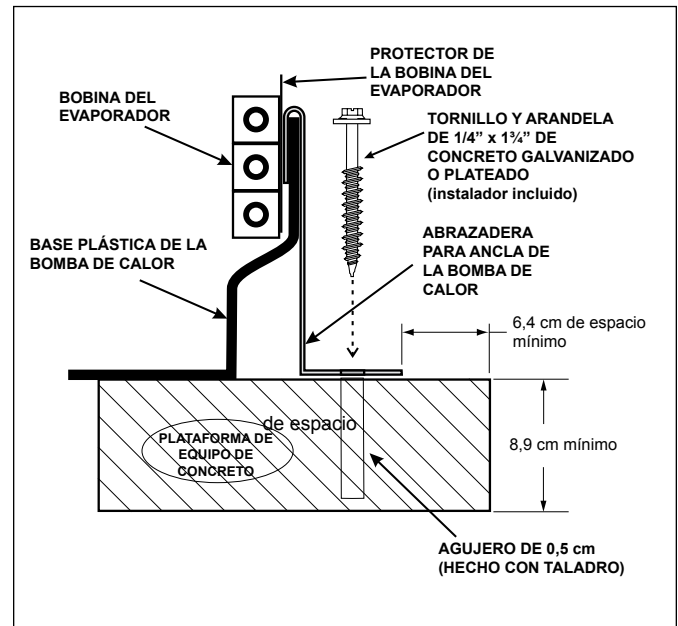


Figura 3. Instalación de Ancla

Sección 3. Conexiones Hidraulicas

3.1 Conexión Hidraulica

La Figura 4 ilustra la disposición de plomería estándar con una única unidad de bomba de calor. Siguiendo el diagrama de derecha a izquierda, la secuencia de plomería es de la siguiente manera:

Piscina > Bomba de piscina > Filtro > Bomba de calor > Válvula de verificación > Ciclo químico > Clorinador > Piscina

NOTA Para instalaciones normales, no instale una válvula de cierre ni ninguna otra restricción variable en la tubería de agua entre la salida de la bomba de calor y la piscina/spa.

La disposición de los componentes del sistema de piscina que no sean los ilustrados en los diagramas anteriores y siguientes puede afectar la operación del interruptor de presión de agua de la bomba de calor. La ubicación de la bomba de calor por encima o por debajo de la superficie de la piscina también puede afectar la operación del interruptor. Por lo general, el interruptor de presión puede ser ajustado para adaptarse a este efecto si las conexiones de agua de la bomba de calor no se encuentran por encima de los 3 metros ni por debajo de los 1,5 metros de la superficie del agua de la piscina. Para obtener más información, consulte las instrucciones acerca de los ajustes del interruptor de presión (Sección 5.6) en la sección de encendido de la bomba de calor de este manual. Si la bomba de calor está instalada fuera de este rango, es posible que se tenga que instalar un interruptor externo de flujo en la plomería que va hacia arriba de la bomba de calor. Para detalles, comuníquese con el Departamento de servicio técnico para bombas de calor de Zodiac al (800) 822-7933.

Note que cuando el equipo de la piscina está ubicado por debajo de la superficie de la piscina, una fuga puede resultar en grandes pérdidas de agua o inundación. Jandy no se responsabiliza por dichas pérdidas o inundaciones, ni por el daño causado por alguno de esos casos.

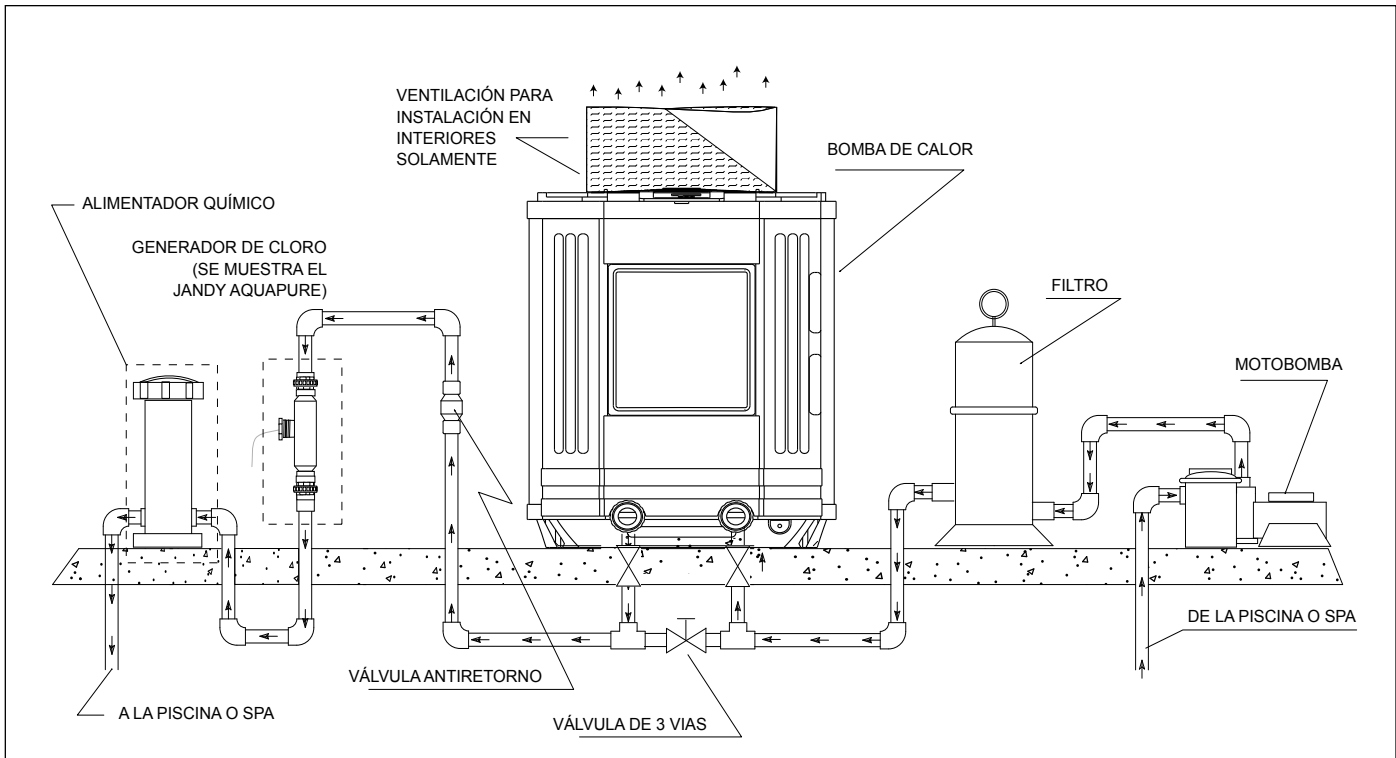


Figura 4. Hidráulica para Sistema Básico

3.2 Conexiones Hidráulicas en la Bomba de Calor

En la fábrica se instalan tapones en los orificios de toma y salida de agua para protegerlos durante el envío. Antes de instalar la plomería, quite los tapones. Se bombea agua filtrada por la toma de entrada, ubicada a la derecha del panel frontal de la bomba de calor. El agua caliente fluye por la salida, ubicada a la izquierda de la parte frontal de la bomba de calor. Se proveen uniones de 5 cm.

A la bomba de calor se debe conectar tubería plástica (PVC). Las uniones provistas con la unidad admiten tubos de PVC de 5 cm.

⚠ PRECAUCIÓN

Asegúrese de mantener los requerimientos de flujo y las tasas de rotación de agua de la piscina instalando bombas de calor adicionales y ajustando la plomería según sea necesario.

3.3 Instalación de la Válvula de Antiretorno

⚠ ADVERTENCIA

Una válvula de retención puede interferir con el buen funcionamiento de algunos productos del sistema de liberación de succión de vacío (SVRS). Para evitar el posible peligro de atrapamiento, lesiones graves o la muerte, asegúrese de revisar el manual de operación/usuario de su producto particular SVRS, antes de instalar la válvula de retención.

La bomba de calor debe estar protegida del efecto de sifonaje de retorno del agua. Si existe la posibilidad del efecto de sifonaje de retorno, provea una válvula de verificación entre la piscina y la toma del filtro de la bomba.

Cuando se instala en la plomería un alimentador de cloro automático, debe ser instalado después de la bomba de calor. Se debe instalar una válvula de antiretorno entre la bomba de calor y el alimentador de cloro para evitar el efecto de sifonaje de retorno del agua saturada químicamente en la bomba de calor que dañaría los componentes.

3.4 Válvula de Control de Flujo Automática

El cabezal de entrada/salida de la bomba de calor EE-Ti se encuentra equipado con una válvula interna para el control de flujo automático. La válvula de control de flujo automático mantiene el flujo adecuado a través de la bomba de calor en una tasa de hasta aproximadamente 475 lpm. Si la tasa de flujo del sistema de filtrado es superior a los 475 lpm aproximadamente, instale una llave de paso manual (véase Figura 4).

NOTA Tenga en cuenta que si la bomba de circulación supera los 2 HP o si el flujo total excede los 4,750 Imp, deberá agregar una llave de paso externa.

3.5 Instalación de una Unidad Múltiple

3.5.1 Combinación de Bomba de Calor y Calentador

En ciertas regiones, puede ser más económico hacer funcionar una bomba de calor durante los meses más cálidos y un calentador de gas durante los meses más fríos.

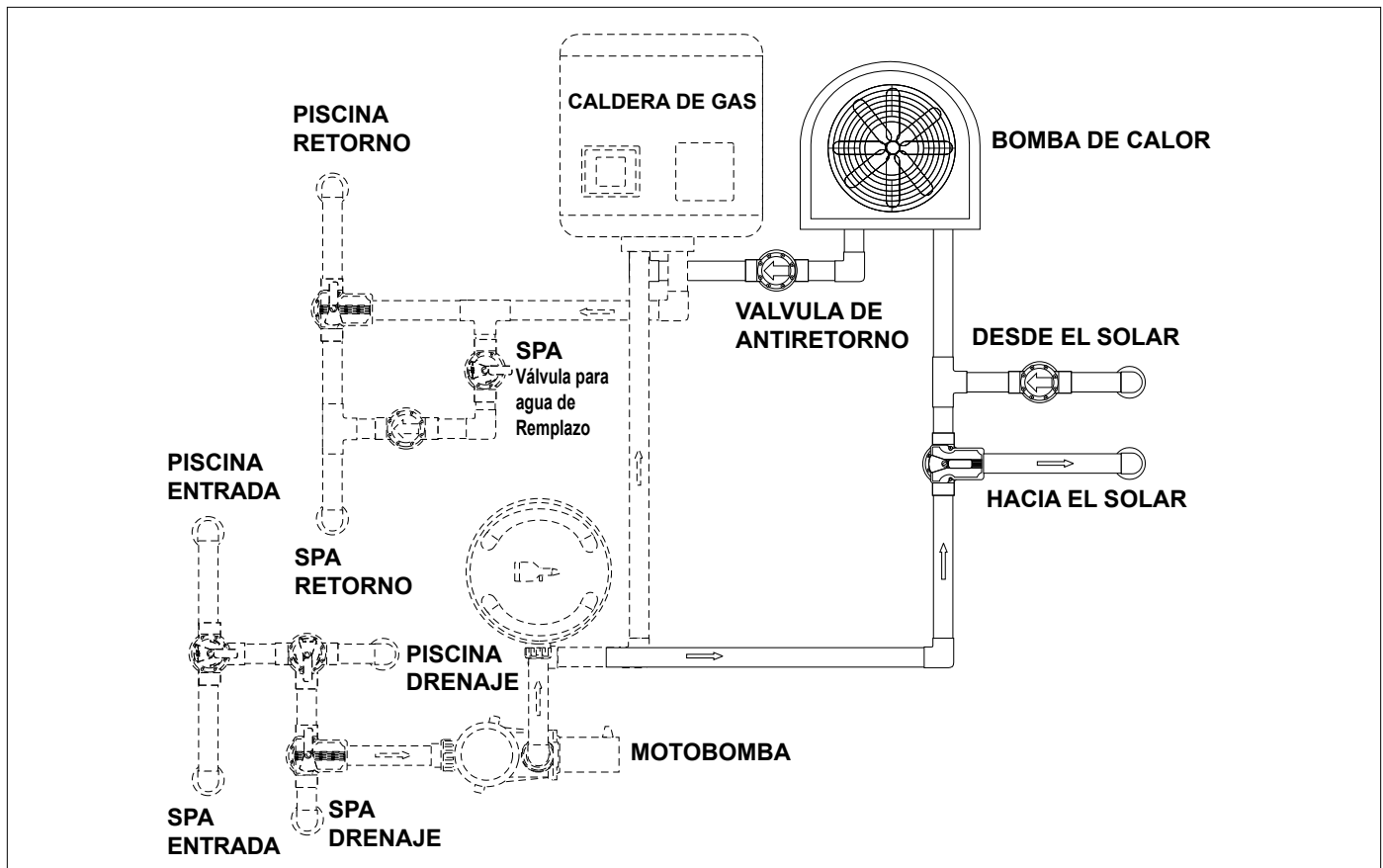


Figura 5. Hidrúlica para Sistemas de Calentamiento Combinados

En algunas situaciones, puede hacer funcionar una bomba de calor en modo “Chiller” durante la parte del año más calurosa y un calentador durante los meses más fríos.

La bomba de calor Jandy puede instalarse junto con un calentador de gas o eléctrico o cualquier combinación de fuentes de calor, incluso la energía solar. Todas las fuentes de calor deben estar instaladas en paralelo para que funcionen de forma correcta y eficiente.

La Figura 5 ilustra una disposición de plomería recomendada para un sistema de calentamiento combinado de bomba de calor-calentador-energía solar para una combinación de piscina/spa. Puede ser que su sistema no tenga todos estos componentes, pero utilice la plomería básica y elimine el componente en la ilustración que no sea parte de su sistema.

3.5.2 Instalación de Bombas de Calor Múltiples

Toda la plomería en las instalaciones de bombas de calor múltiples deben ser realizadas en paralelo (véase Figuras 6 y 7). Un flujo de agua igual para cada bomba de calor es importante para una operación óptima.

NOTA Podría tener que ajustar el interruptor de presión de agua si la unidad está instalada por debajo del nivel del agua. Véase Sección 5.6 para obtener información acerca de cuándo y cómo ajustar el interruptor de presión.

NOTA Cada bomba de calor permite un caudal máximo de 475 lpm y requiere de un mínimo de 114 lpm.

Sección 4. Conexiones Eléctricas

⚠ ADVERTENCIA

PELIGRO DE DESCARGA ELÉCTRICA. Esta bomba de calor, contiene cableado de alta tensión. El contacto con los cables podría ocasionar lesiones graves o la muerte. Desconecte el circuito de alimentación, antes de conectar la bomba de calentar.

⚠ PRECAUCIÓN

Proceda a etiquetar todos los cables antes de su desconexión en los controles de mantenimiento. Los errores de cableado pueden ocasionar un funcionamiento peligroso e inadecuado. Comprobar que el funcionamiento es correcto, una vez efectuado el mantenimiento.

4.1 Información General

Todo el cableado debe ser igual al que se encuentra dentro del compartimento de acceso a la bomba de calor. (Véase Figura 8 para el cableado eléctrico monofásico y Figura 9 para el cableado eléctrico trifásico). La bomba de calor debe tener un medio seguro de unión y conexión a tierra. Existe un borne a la derecha de la bomba de calor, a la que se debe unir un conductor a tierra (tierra física).

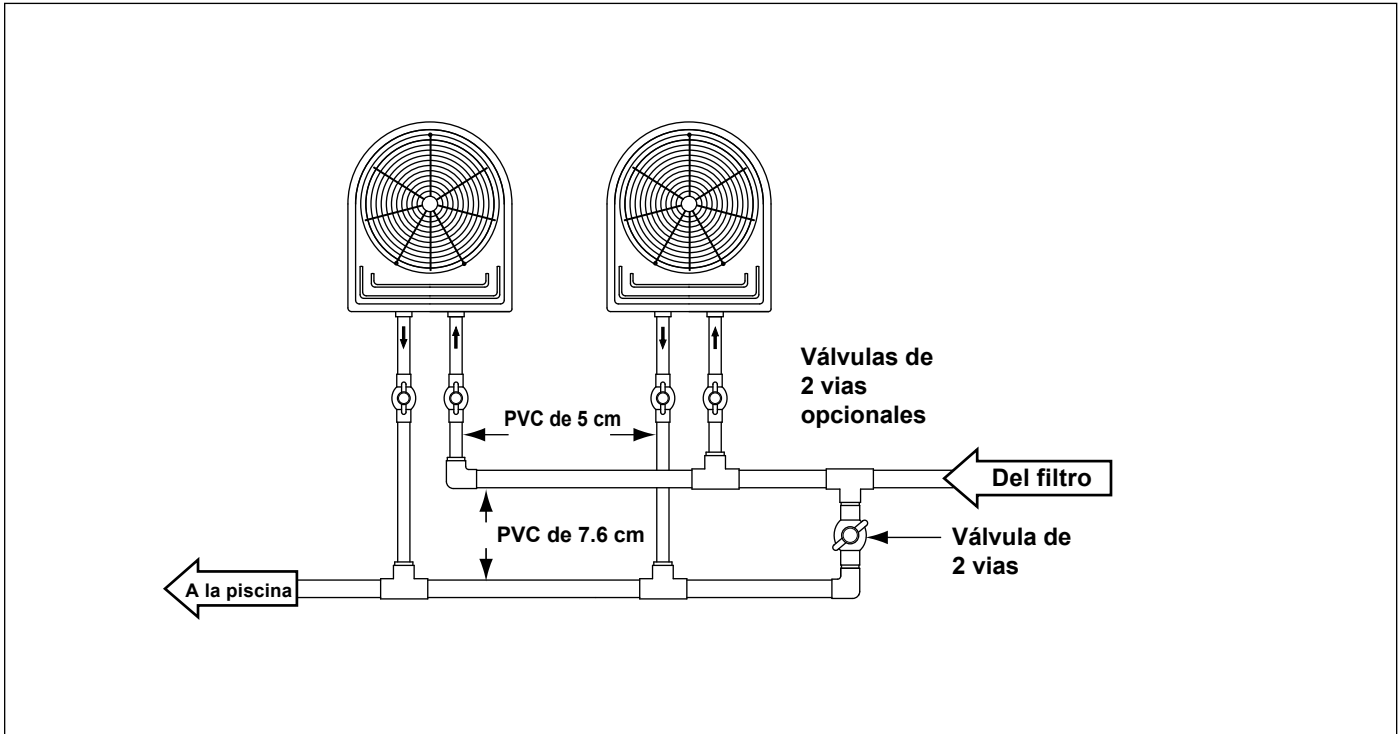


Figura 6. Hidrúlica de dos Bombas de Calor

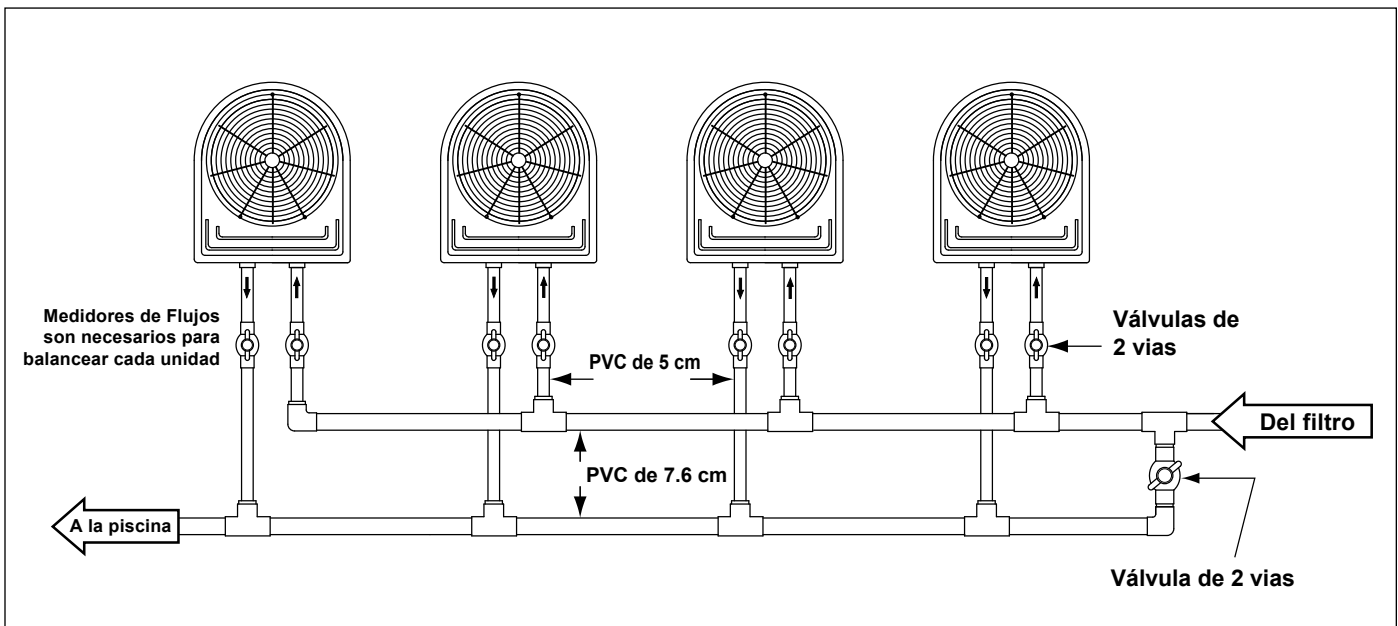


Figura 7. Hidrúlica de Cuatro Bombas de Calor

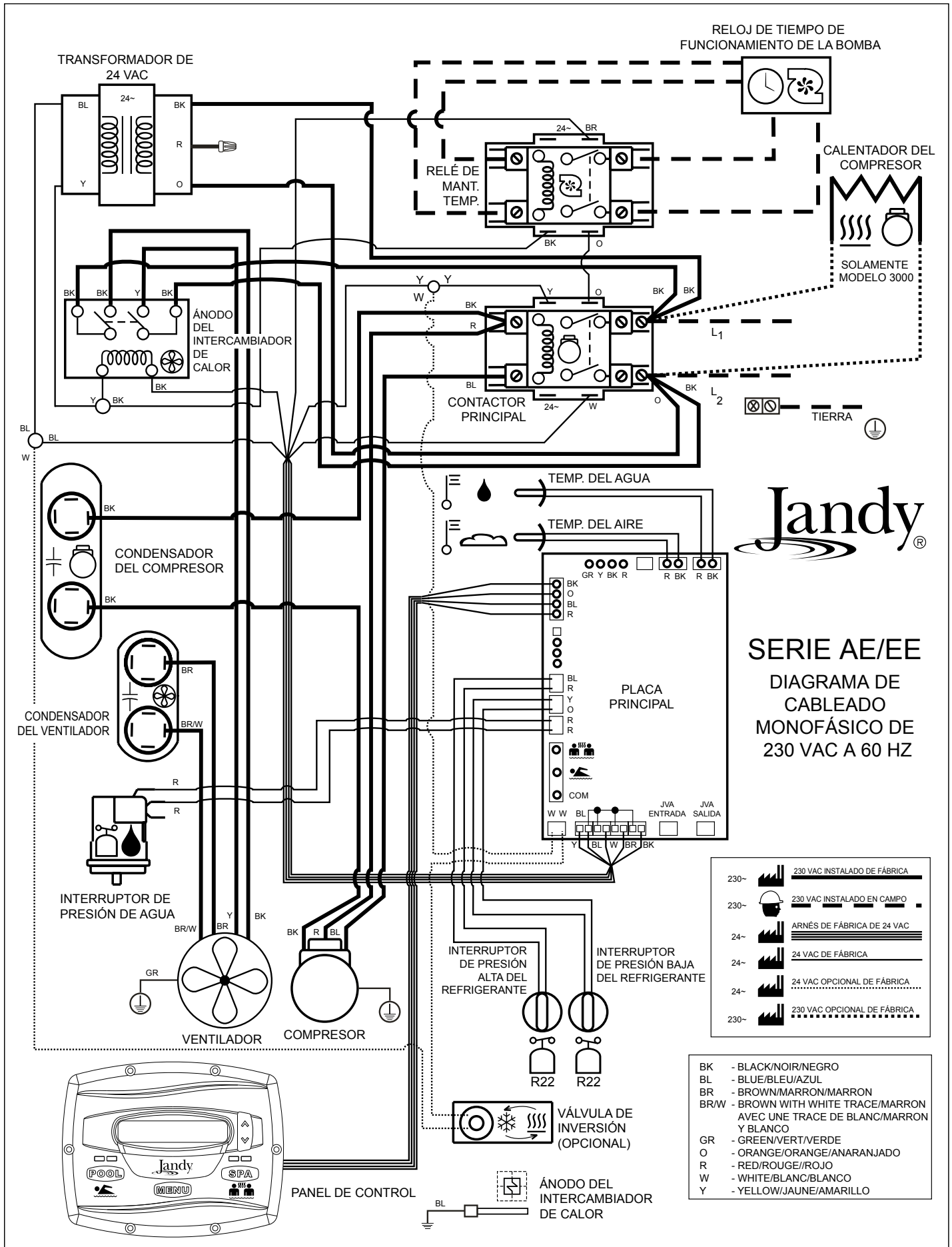


Figura 8. Diagrama de Cableado Monofásico

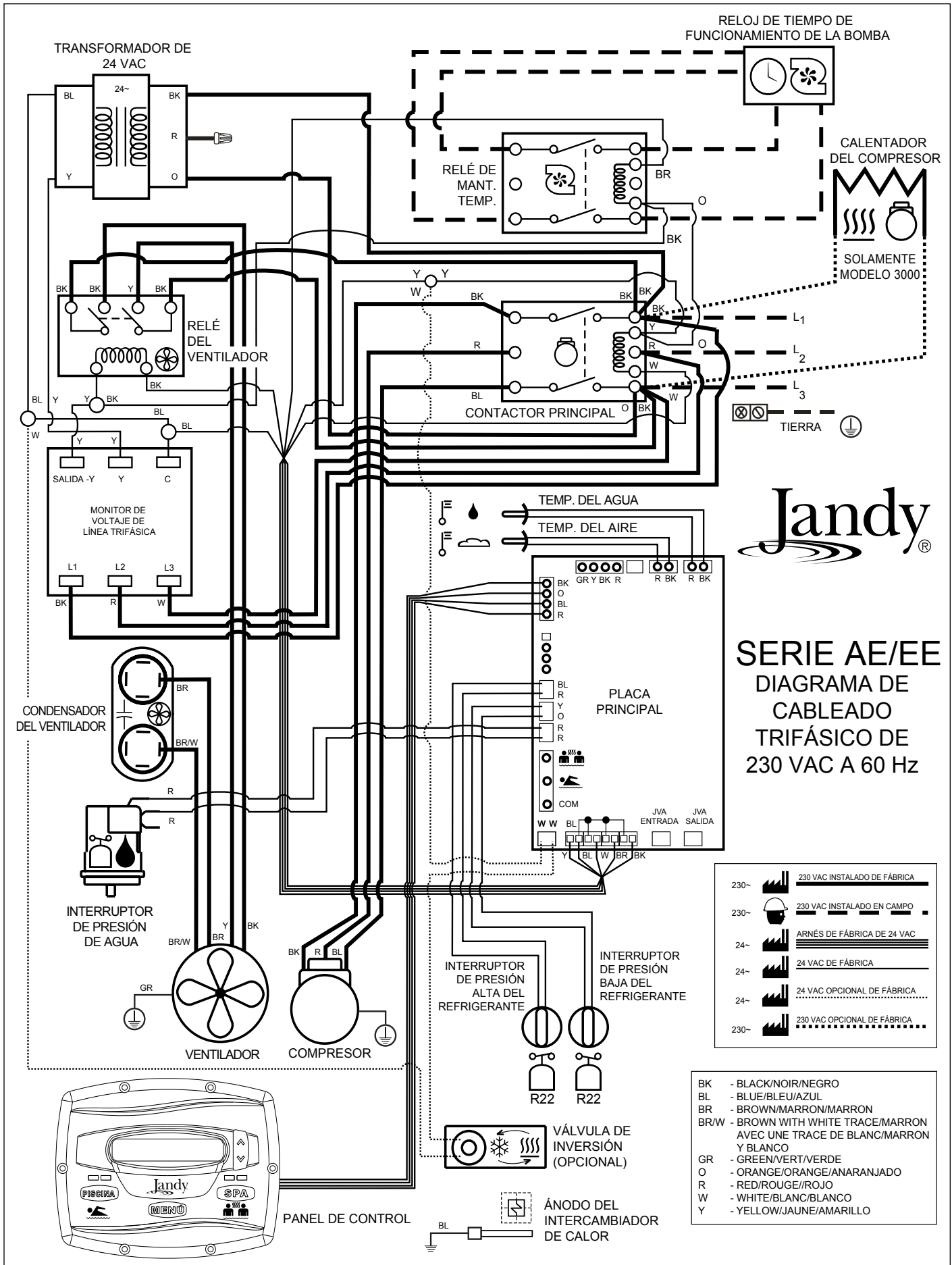
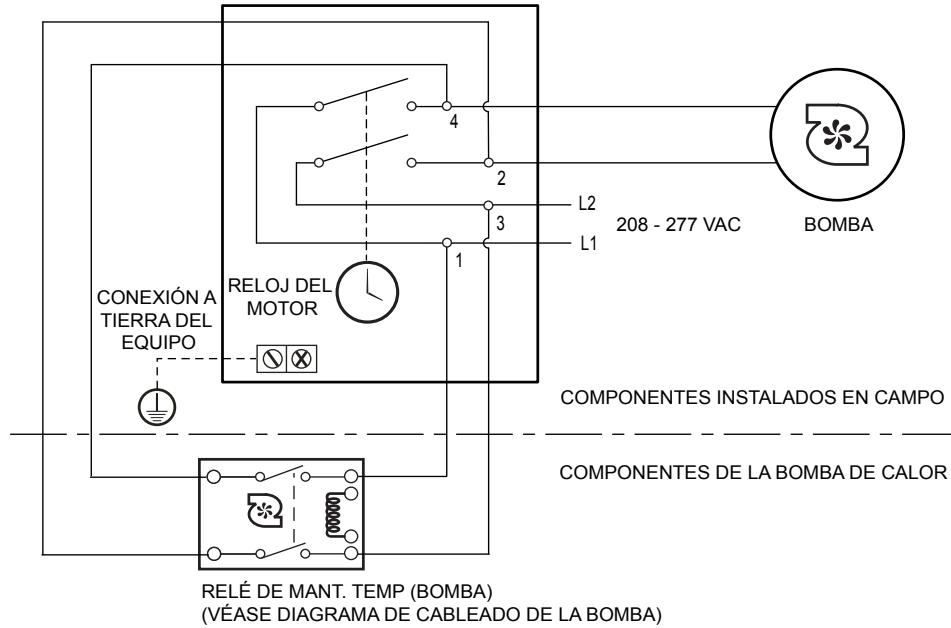


Figura 9. Diagrama de Cableado Trifásico

TEMPORIZADOR MECÁNICO MODELO INTERMATIC T104
(NO INCLUIDO CON LA BOMBA DE CALOR)



NOTA: EJEMPLO DE CONEXIÓN DE CABLES DEL MODELO INTERMATIC T104 (NO INCLUIDO CON LA BOMBA DE CALOR). OTROS MODELOS PUEDEN TENER OTROS TIPOS DE CONEXIONES CONSULTE AL FABRICANTE DEL TEMPORIZADOR PARA INFORMACIÓN SOBRE CONEXIONES ADECUADAS

Figura 10. Ejemplo de “MANTENER LA TEMP” con el Cableado al Crono-Interruptor

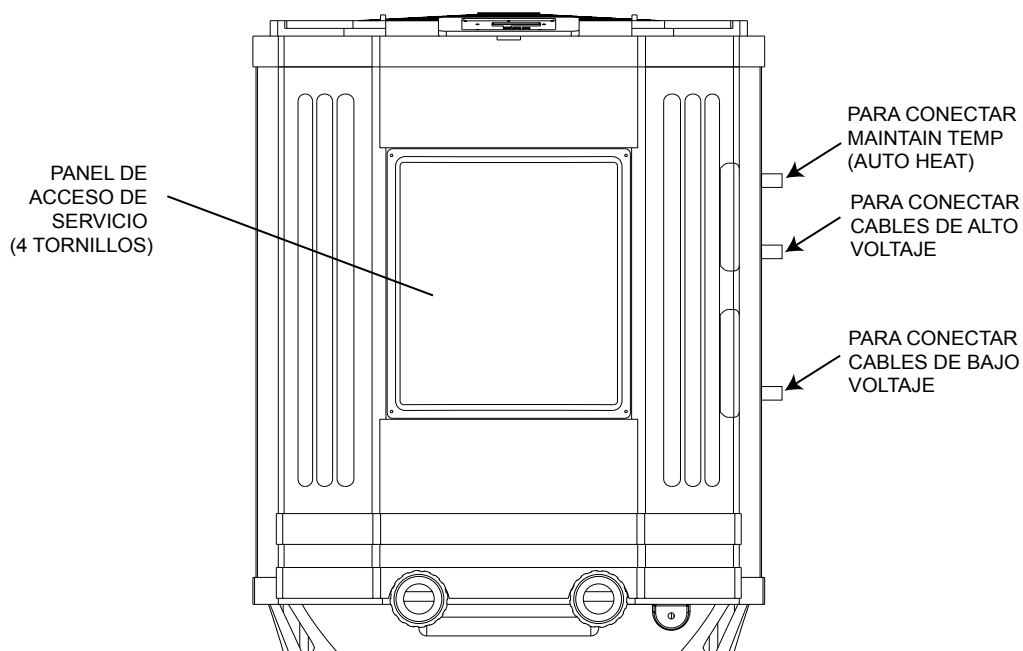


Figura 11. Vista Frontal de la Bomba de Calor EE-Ti

4.2 Encendido Principal

El cableado eléctrico hacia la bomba de calor debe estar en conformidad con la última edición del Código Eléctrico Nacional® (NEC), ANSI (Asociación Nacional de Protección Contra Incendios) (NFPA) 70 en los Estados Unidos, y con el Código Eléctrico Canadiense® (CEC) C22.1 en Canadá, a menos que los requerimientos de códigos locales proporcionen otras indicaciones.

Las bombas de calor cuentan con cableado de fábrica para ser utilizado con fuentes eléctricas de campo de 230 VCA, monofásica de 60 Hz o trifásica, según el modelo. Véase placa de valores nominales para obtener las especificaciones eléctricas. Todo el cableado debe ser realizado por un electricista certificado.

El siguiente procedimiento es para cablear la bomba EE-Ti con la fuente eléctrica especificada en la placa de valores nominales:

1. Asegúrese de que se encuentra cortada la electricidad para la bomba de calor.
2. Remueva los cuatro (4) tornillos que fijan el panel de servicio/acceso a la unidad de la bomba de calor (véase Figura 11).
3. Remueva la tapa frontal de la caja de metal.
4. Las líneas de la fuente de alimentación eléctrica deben conducirse a través de conductos impermeables. Pase los cables y el conducto desde la fuente de energía y conéctelos a la conexión identificada como “conexión de alto voltaje” (“high voltage connection”) a la derecha de la bomba de calor. Véase Figura 11 para ver la ubicación de la conexión.
5. Conecte los cables a las terminales del contactor principal como se muestra en el diagrama de cableado. Consulte las Figuras 8 y 9.
6. Conecte el cable de tierra a la lengüeta puesta a masa provista en el compartimiento eléctrico.
7. Coloque nuevamente la tapa de la caja terminal.
8. Coloque nuevamente el panel de acceso para servicio y los tornillos para sujetarlo.
9. Conecte un cable de unión de cobre (8 ga) con la lengüeta puesta a masa a la derecha de la bomba de calor.

4.3 Unión

PRECAUCIÓN

Esta bomba de calor deberá estar conectada a una rejilla de conexión con un cable de cobre sólido de un diámetro no inferior a 8 ga.

Los Códigos Eléctricos Nacionales y la mayoría de los códigos de instalación en los EE. UU. requieren que todos los componentes metálicos de la estructura de una piscina, incluidos el acero reforzado, los accesorios de metal y el equipo de conexión a tierra antes mencionado estén conectados con un conductor de cobre sólido de no menos de 8 ga. La bomba de calor, junto con las bombas y otros equipos de la piscina deben estar conectados a esta red

de conexiones. Una lengüeta puesta a masa se provee a la derecha de la bomba de calor para asegurar que se cumpla con este requerimiento.

4.4 Conexión de la Bomba (Función de Mantenimiento de Temperatura)

Esta función permite que la bomba de calor encienda la bomba de la piscina, ignorando la configuración del reloj, para mantener la temperatura deseada. Para que la función **MANTENER TEMP.** sea funcional, se necesita de una línea dedicada desde el reloj de la bomba de la piscina hasta el relé de mantener temperatura (bomba). Véase Figura 10.

4.5 Controles Remotos Opcionales

El cableado eléctrico debe cumplir con todos los códigos y ordenanzas nacionales y locales que correspondan.

4.5.1 Conexión a un Selector Remoto Piscina-Apagado-Spa (Conexión Trifásica)

4.5.1.1 Instalación del Selector Remoto Piscina-Apagado-Spa

1. Corte la energía del sistema de control de la piscina/spa y de la unidad de la bomba de calor.
2. Remueva los cuatro (4) tornillos que fijan el panel de servicio/acceso a la unidad de la bomba de calor y la tapa de la caja terminal (véase Figura 11).
3. Pase los cables desde el sistema de control de la piscina/spa hacia la conexión del conducto identificada como “conexión de bajo voltaje” (“low voltage connection”), en el lado inferior derecho de la bomba de calor (véase Figura 11).
4. Conecte el cableado desde el sistema de control piscina/spa hasta la terminal de control remoto de la bomba de calor (véase Figura 12a).
5. Restablezca la energía a la bomba de calor y al sistema de control piscina/spa.

4.5.1.2 Configuración del Panel de Control

1. Asegúrese de que el control esté en el modo **OFF**.
2. Para ingresar al modo Configuración de servicio, pulse y mantenga pulsados los botones **MENU**, **POOL (PISCINA)** y **SPA** durante 5 segundos.

NOTA La pantalla volverá a OFF un minuto después de haber presionado el último botón.

3. Pulse el botón Subir o Bajar para mostrar **CONTROL REMOTO**. Pulse el botón **MENU**. Aparece **SELEC. CONTROL REMOTO DESACTIVADO** (predeterminado), use el botón Subir o Bajar para ver las opciones de control remoto. Cuando visualice **HI-LO-COM**, pulse el botón **MENU** Pulse **POOL**

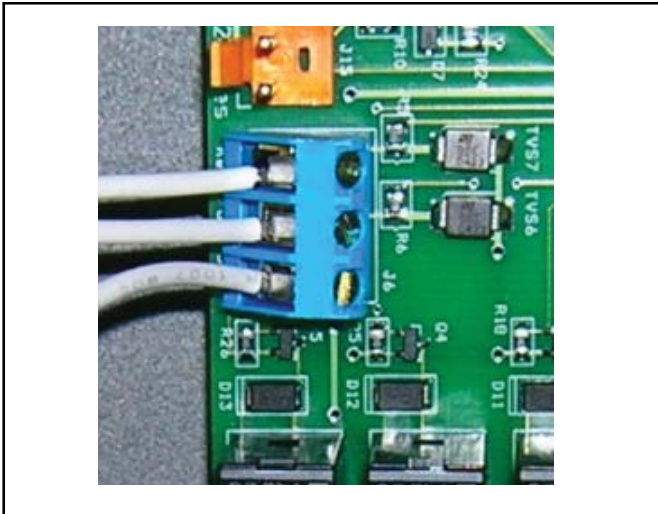


Figura 12a. Conexión a un Selector Remoto Piscina-Apagado-Spa (Conexión de 3 Cables)

(PISCINA) o SPA para salir del modo Configuración de servicio.

4.5.2 Conexión de dos cables a un AquaLink® RS o Termostato (TSTAT).

4.5.2.1 Configure el sistema de control del AquaLink® RS

1. Desconecte la electricidad que va hacia el sistema de control de la piscina/spa y hacia la unidad de la bomba de calor.
2. Conecte dos cables en los terminales verdes 1 y 2 de 10 conectadores del AquaLink RS.
3. Ponga el DIP S2-1 (el conector #1 del interruptor DIP de 4 posiciones) en la posición "ON" (Encendido) (véase la Figura 13).

4.5.2.2 Instalación del TERMOSTATO REMOTO

1. Corte la energía del sistema de control de la piscina/spa y de la unidad de la bomba de calor.
2. Remueva los cuatro (4) tornillos que fijan el panel de servicio/acceso a la unidad de la bomba de calor y la tapa de la caja terminal (véase Figura 11).
3. Pase los cables desde el sistema de control de la piscina/spa hacia la conexión del conducto identificada como "conexión de bajo voltaje" ("low voltage connection") en la parte inferior derecha de la bomba de calor. (Véase figura 11).
4. Conecte el cableado desde el sistema de control piscina/spa hasta la terminal de control remoto de la bomba de calor (véase Figura 12b).
5. Restablezca la energía a la bomba de calor y al sistema de control piscina/spa.

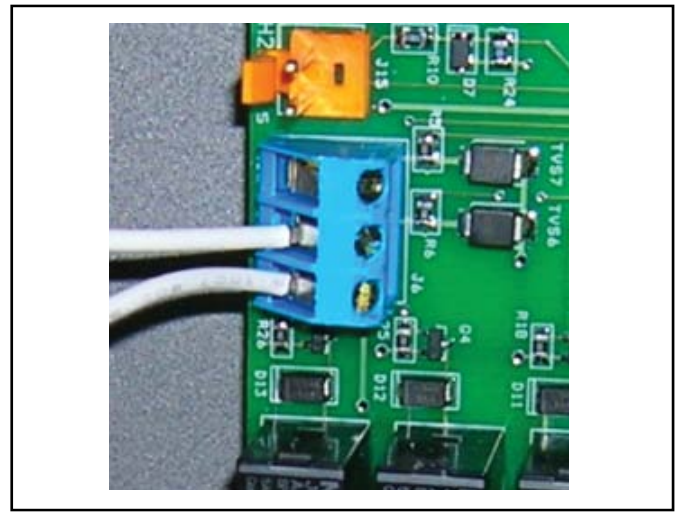


Figura 12b. Conexión a AquaLink RS o TERMOSTATO REMOTO (Conexión Bifásica)

4.5.2.3 Configuración del Panel de Control

1. Asegúrese de que el control esté en el modo **OFF**.
2. Para ingresar al modo Configuración de servicio, pulse y mantenga pulsados los botones **MENU**, **POOL (PISCINA)** y **SPA** durante 5 segundos.

NOTA La pantalla volverá a **OFF** un minuto después de haber presionado el último botón.

3. Pulse el botón Subir o Bajar para mostrar **CONTROL REMOTO**. Aparece **SELEC. CONTROL REMOTO DESACTIVADO** (predeterminado), use el botón Subir o Bajar para ver las opciones de control remoto. Cuando visualice **TERMOSTATO REMOTO**, pulse el botón **MENU** para seleccionar el control remoto. Pulse **POOL (PISCINA)** o **SPA** para salir del modo Configuración de servicio.
4. Pulse **SPA**. Para calentar, ajuste el valor de consigna (punto de ajuste) al valor máximo. Para enfriar, ajuste el valor de consigna al valor mínimo.

4.5.3 Comunicación de las Conexiones Tetrafilares al AquaLink® RS 485

1. Asegúrese que las revisiones del software de la bomba de calor EE-Ti y el AquaLink RS sean compatibles (véase Figura 14)

NOTA Sólo un chip de revisión "N", o mayor, en el sistema RS podrá sostener la interfase de la bomba de calor EE-Ti

2. Desconecte la electricidad que va hacia la bomba de calor y hacia el control RS, abra la caja del centro de alimentación RS y saque el panel frontal inactivo.
3. Saque los dos tornillos que mantienen el bisel en su lugar y de vuelta al bisel para ver el tablero de circuitos que está al dorso.

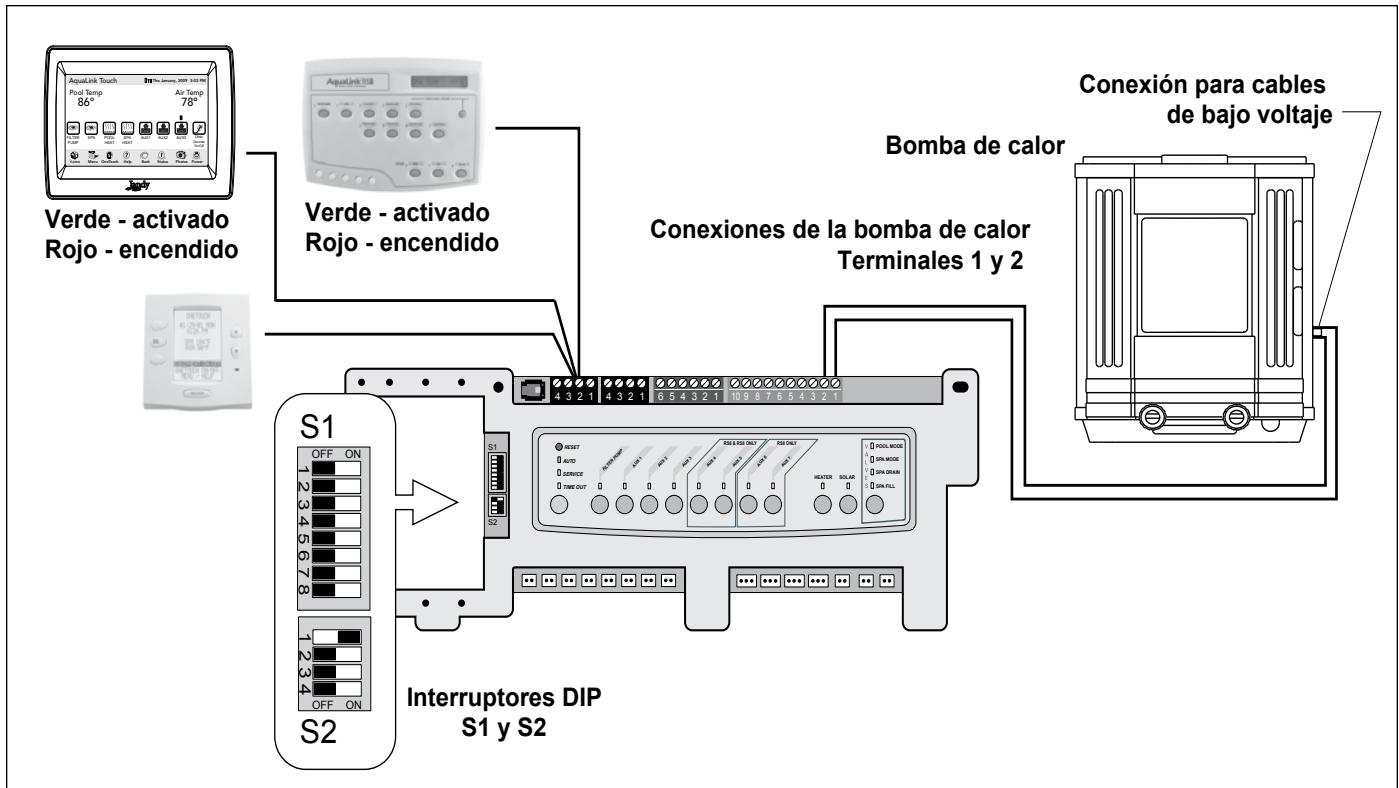


Figura 13. Cableado AquaLink RS a Bomba de Calor EE-Ti

4. Encuentre el chip programado en el tablero central de alimentación. En el centro del chip se encuentra la letra correspondiente a la revisión. Si la letra de revisión es “N” o mayor vaya al paso 5. Si el nivel de revisión es “MMM” o menor, reemplace el tablero.
5. Utilice un cable conductor 4 de calibre 22 (Pieza Jandy N° 4278) que se extiende entre la bomba de calor y el control RS, y haga concordar el orden del color de los cables.
6. Los cables que vienen de la bomba de calor EE-Ti pueden “doblarse” en la barra terminal roja con los cuatro cables que vienen del regulador interior.

NOTA Si usted necesita instalar más de dos cables en cada terminal pida un Juego PCB Multiplex que incluye el Tablero Multiplex (Pieza N° 6584). Nunca ponga más de dos cables en cada conector de la barra terminal.

7. Inspeccione todo el cableado y luego conecte la energía

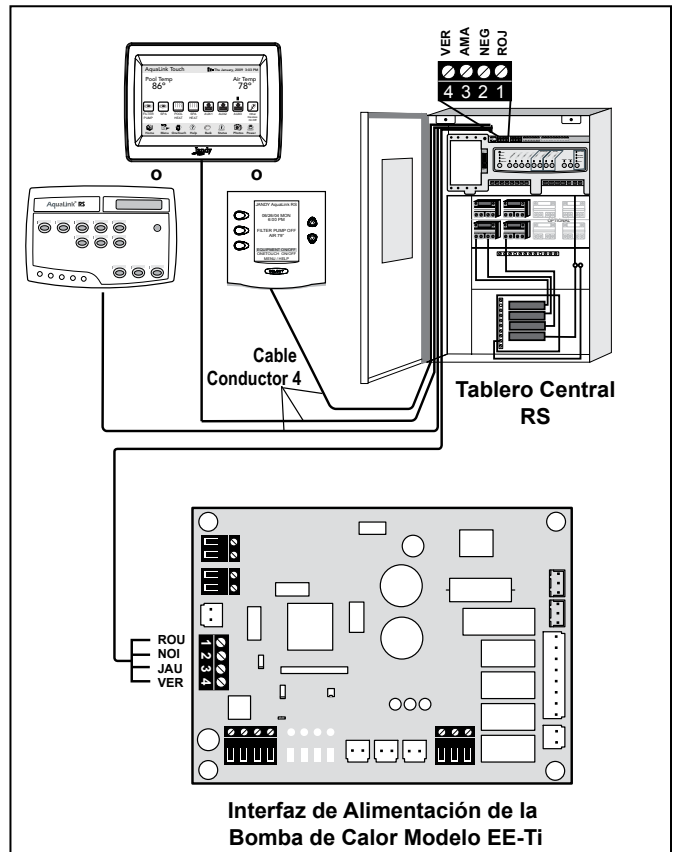


Figura 14. Conexión de la Bomba de Calor EE-Ti al Centro de Alimentación

eléctrica a la bomba de calor y al sistema de control RS. La operación se puede verificar tanto en la modalidad “Auto” (Automático) como en la modalidad “Service” (Servicio). Consulte al manual del sistema de control RS para ver las instrucciones sobre la operación.

Cuando la bomba de calor EE-Ti se conecta a la energía eléctrica por primera vez y existe un control RS conectado a la bomba de calor, se leerá en la pantalla de la bomba de calor: “**JANDY REMOTO ONLINE PULSAR MENU: DESACT.**” Cuando la bomba de calor EE-Ti está en-línea con el control RS, todas las funcionalidades del control en la bomba de calor están desactivadas. Las funciones de la bomba de calor sólo se pueden controlar en la unidad RS.

Para usar en forma temporal los controles de la bomba de calor, presione la tecla **MENU** (Menú). El mensaje: “**JANDY REMOTO ONLINE PULSAR MENU: DESACT.**” desaparecerá de la pantalla de la bomba de calor. Así, todas las funcionalidades habrán regresado al control en la bomba de calor. En esta modalidad, la unidad RS ya no controla más la bomba de calor.

Para devolver la funcionalidad a la unidad RS, someta a un ciclo (conecte y desconecte) la electricidad que va a la bomba de calor, o presione la tecla **MENU** (Menú) por 5 segundos para entrar a la modalidad: “User Setup” (Configuración por parte del usuario) y entonces habilite el control remoto del Jandy.

Rev. del software del Interfaz de Potencia de la Bomba de Calor EE-Ti	Revisión del software del AquaLink® RS
3.0 ó superior	N ó superior

NOTA Es necesario utilizar un PCB Multiplex a fin de conectar más de dos (2) dispositivos al conector rojo de 4 pines del centro de potencia del RS.

4.5.4 Conexión de Panel de Control Adicional

1. Corte el suministro de energía de la bomba de calor.
2. Remueva los cuatro (4) tornillos que fijan el panel de servicio/acceso a la unidad de la bomba de calor y quite la tapa de la caja terminal. Véase Figura 11.
3. Pase los cables desde el sistema de control piscina/spa a través de la conexión identificada como “conexión de bajo voltaje” (“low voltage connection”), ubicada en la parte inferior a la derecha de la bomba de calor. Véase Figura 11. Los cables pueden tener hasta 91 metros de longitud.
4. Conecte los cables a la posición 4 del terminal en la esquina superior izquierda de la placa PC de interfaz de alimentación identificada como “User Interface1”. Los cables serán agregados al cableado existente de la Interfaz de usuario instalada en la bomba de calor.
5. Al conectar los cables a la segunda interfaz de usuario, asegúrese de que queden conectados con sus respectivos pares. Por ejemplo, BK se conecta con BK, O se conecta con O, etc.
6. Vuelva a colocar la tapa de la caja terminal y el panel de acceso de servicio y restituya el suministro de energía de la bomba de calor.

Sección 5. Operación

PRECAUCIÓN

No utilice esta bomba de calor si alguna de sus partes fue sumergida en agua. Llame inmediatamente a un técnico calificado para que inspeccione el equipo y reemplace cualquier parte del sistema de control que haya sido sumergida en el agua.

PRECAUCIÓN

Mantenga libre de objetos la parte superior de la bomba de calor. La obstrucción del flujo de aire podría dañar la unidad y anular la garantía.

5.1 Precauciones para el Encendido Inicial

Asegúrese de que haya agua en la piscina y que el nivel de la superficie se encuentre por encima del espumador u otra toma del sistema de filtrado de la piscina.

En cada nueva instalación de piscina o spa, opere la bomba de filtrado con la bomba de calor apagada hasta completar la limpieza del agua. Esto removerá del agua cualquier residuo de la instalación.

Limpie el filtro al finalizar esta operación y antes de encender la bomba de calor. Al elevar la temperatura de una piscina fría, programe el reloj para funcionar la bomba de forma continua. Esto permite al sistema de filtrado y a la bomba de calor operar de forma continua hasta que el agua alcance la temperatura configurada en el control de temperatura. Cuando eso suceda, la bomba de calor se apagará automáticamente, pero la bomba de filtrado seguirá en funcionamiento.

5.2 Operación del Panel de Control

Su nueva bomba de calor EE-Ti está controlada por un microprocesador avanzado con una interfaz sofisticada y sencilla que le permite obtener una máxima eficiencia y disfrutar de su piscina. Para ubicar los botones del control, véase Figura 15.

5.2.1 Modo Off

Cuando el panel de control está apagado, la pantalla muestra **BOMBA DE CALOR OFF PULSAR PISCINA O SPA**.

5.2.2 Modo Piscina - (Calor Normal)

Para habilitar el modo piscina, pulse el botón **POOL (PISCINA)**. La lucecita verde a la izquierda se encenderá y la unidad mostrará **SET:XXX°**.

NOTA XXX representa la configuración de temperatura vigente en el control. La configuración predeterminada para la temperatura de la piscina es 26°C.



Figura 15. Panel de Control Principal

Para cambiar el valor de consigna (punto de ajuste) de la temperatura, pulse el botón **Subir** o **Bajar**. Pulse repetidamente el botón **Subir** o **Bajar** hasta alcanzar el punto de temperatura deseado. Después de 5 segundos de inactividad, el nuevo valor de consigna queda almacenado en la memoria. Cuando la temperatura del agua cae 1 grado por debajo de la configuración de temperatura y después de 5 minutos de demora, el control encenderá la bomba de calor y se encenderá la lucecita ROJA correspondiente.

5.2.3 Modo Piscina – (Mantenimiento del Calor Opcional)

Si se encuentra conectado, el modo Mantenimiento de calor permite que la bomba de calor controle la temperatura del agua durante las 24 horas encendiendo la bomba de la piscina y tomando muestras de la temperatura del agua.

Se necesita un relé para la manutención de la temperatura (se proporciona) y éste se debe activar.

Cuando la temperatura del agua cae por debajo del valor de consigna de temperatura programado, el control enciende la bomba de calor.

Para operar en el modo piscina con la función Mantenimiento de calor, pulse **POOL (PISCINA)**, luego pulse **MENU**, pulse el botón **Bajar** hasta que se muestre **MANT. CALEF. PISCINA**, pulse el botón **MENU**.

La lucecita verde a la izquierda se encenderá y la unidad mostrará **SET:XXX°**. Para cambiar el valor de consigna de la temperatura, pulse el botón **Subir** o **Bajar** hasta que se muestre el valor de temperatura deseado. Después de 5 segundos de inactividad, el nuevo valor de consigna queda almacenado en la memoria.

5.2.4 Modo Spa – (Calor Normal)

Para habilitar el modo spa, pulse **SPA**. La lucecita verde a la izquierda se encenderá y la unidad mostrará **SET:XXX°**.

NOTA XXX representa la configuración de temperatura vigente en el control. La configuración predeterminada para la temperatura del spa es 38°C.

Para cambiar el valor de consigna (punto de ajuste) de la temperatura, pulse el botón **Subir** o **Bajar**. Pulse repetidamente el botón **Subir** o **Bajar** hasta alcanzar el punto de temperatura deseado. Después de 5 segundos de inactividad, el nuevo valor de consigna queda almacenado en la memoria. Cuando la temperatura del agua cae 1 grado por debajo de la configuración de temperatura y después de 5 minutos de demora, el control encenderá la bomba de calor y se encenderá la lucecita ROJA correspondiente.

5.2.5 Modo Spa – (Mantenimiento del Calor Opcional)

Si se encuentra conectado, el modo Mantenimiento de calor permite que la bomba de calor controle la temperatura del agua durante las 24 horas encendiendo la bomba de la piscina y tomando muestras de la temperatura del agua.

Se necesita un relé para la manutención de la temperatura (se proporciona) y éste se debe activar.

Cuando la temperatura del agua cae por debajo del valor de consigna de temperatura programado, el control enciende la bomba de calor.

Para operar en el modo spa con la función de mantenimiento de calor, pulse **SPA**, luego pulse **MENU**, pulse el botón **Bajar** hasta que se muestre **MANT. CALEFAC. SPA**, pulse el botón **MENU**.

La lucecita verde a la izquierda se encenderá y la unidad mostrará **SET:XXX°**. Para cambiar el valor de consigna de la temperatura, pulse el botón **Subir** o **Bajar** hasta que se muestre el valor de temperatura deseado. Después de 5 segundos de inactividad, el nuevo valor de consigna queda almacenado en la memoria.

5.3 Funciones de Operación de Unidades Híbridas con Enfriador Opcional

NOTA El enfriador es un equipo opcional. No todas las unidades vienen equipadas con enfriador.

5.3.1 Modo Piscina – (Frío Normal)

Para habilitar el modo piscina, pulse el botón **POOL (PISCINA)**. La lucecita verde a la izquierda se encenderá y la unidad mostrará **SET:XXX°**.

NOTA XXX representa la configuración de temperatura vigente en el control. La configuración predeterminada para la temperatura de la piscina es 26°C.

Pulse el botón **MENU**. Pulse el botón **Subir** o **Bajar** hasta ver **ENFRIAR PISCINA**, pulse el botón **MENU**. Para cambiar el valor de consigna (punto de ajuste) de la temperatura, pulse el botón **Subir** o **Bajar**. Pulse repetidamente el botón **Subir** o **Bajar** hasta alcanzar el punto de temperatura deseado. Después de 5 segundos de inactividad, el nuevo valor de consigna queda almacenado en la memoria. Cuando la temperatura del agua se eleva 1 grado por encima de la configuración de temperatura y después de 5 minutos de demora, el control encenderá la bomba de calor y la lucecita VERDE a la derecha.

5.3.2 Modo piscina – (Mantenimiento de Frío Opcional)

Si se encuentra conectado, el modo Mantenimiento de frío permite que la unidad controle la temperatura del agua durante las 24 horas encendiendo la bomba de la piscina y tomando muestras de la temperatura del agua.

Se necesita un relé para la manutención de la temperatura (se proporciona) y éste se debe activar.

Cuando la temperatura del agua se encuentre por encima de la temperatura configurada, el control encenderá la unidad y se encenderá la lucecita verde a la derecha.

Para operar en el modo piscina con la función Mantener enfriar, pulse **POOL (PISCINA)**, luego pulse **MENU**, luego pulse el botón **Bajar** hasta que se muestre **MANT. ENFRIAR PISCINA**, pulse el botón **MENU**. La lucecita verde a la izquierda se encenderá y la unidad mostrará **SET:XXX°**. Para cambiar el valor de consigna de la temperatura, pulse el botón **Subir** o **Bajar** hasta que se muestre el punto de temperatura deseado. Después de 5 segundos de inactividad, el nuevo valor de consigna queda almacenado en la memoria.

5.3.3 Modo Spa – (Mantenimiento de Frío Opcional)

Si se encuentra conectado, el modo “Mantener enfriar” permite que la bomba de calor controle la temperatura del agua durante las 24 horas.

Se necesita un relé para la manutención de la temperatura (se proporciona) y éste se debe activar.

Cuando la temperatura del agua sube por encima del valor de consigna de temperatura programado, el control enciende la bomba de calor.

Para operar en el modo spa con la función Mantener enfriar, pulse **SPA**, luego pulse el botón **MENU**, pulse el botón **Bajar** hasta que se muestre **MANT. ENFRIAR SPA**, pulse el botón **MENU**. La lucecita verde a la izquierda se encenderá y la unidad mostrará **SET:XXX°**. Para cambiar el valor de consigna de la temperatura, pulse el botón **Subir** o **Bajar** hasta que se alcance el punto de temperatura deseado. Después de 5 segundos de inactividad, el nuevo valor de consigna queda almacenado en la memoria.

5.4 Opciones de Configuración del Usuario

Las opciones de configuración del usuario permiten que el usuario seleccione opciones específicas de idiomas, escala de temperatura, temporizador de spa y luz de pantalla.

5.4.1 Configuración de Idioma

1. Asegúrese de que el control esté en el modo **OFF**.
2. Para ingresar al modo Configuración, pulse y mantenga pulsado el botón **MENU** durante 5 segundos.

NOTA La pantalla volverá a OFF un minuto después de haber presionado el último botón.

3. Para seleccionar un idioma, use el botón **Subir** o **Bajar** para mostrar **SELEC. MENU CONFIG. IDIOMA**. Pulse el botón **MENU**. Aparece **SELECCIONAR IDIOMA INGLÉS** (predeterminado), use el botón **Subir** o **Bajar** para ver las opciones de idiomas. Cuando visualice el idioma deseado, pulse el botón **MENU** para seleccionarlo. Pulse **POOL (PISCINA)** o **SPA** para salir del modo de configuración.

5.4.2 Configuración de Escala de Temperatura

1. Asegúrese de que el control esté en el modo **OFF**.
2. Para ingresar al modo Configuración, pulse y mantenga pulsado el botón **MENU** durante 5 segundos.
3. Para seleccionar una escala de temperatura, use el botón **Subir** o **Bajar** para mostrar **SELEC. MENU CONFIG ESCALA TEMPERATURA**. Pulse el botón **MENU**. Aparece **SELEC ESCALA TEMP. ° C** (escala de fábrica), use el botón **Subir** o **Bajar**, Cuando alcance la escala de temperatura deseada, pulse el botón **MENU** para seleccionarla. Pulse **POOL (PISCINA)** o **SPA** para salir del modo de configuración.

5.4.3 Configuración del Temporizador del Spa

1. Asegúrese de que el control esté en el modo **OFF**.
2. Para ingresar al modo Configuración, pulse y mantenga pulsado el botón **MENU** durante 5 segundos.
3. Para seleccionar el temporizador del spa, use el botón **Subir** o **Bajar** para ver las opciones de pantalla **SELEC. MENU CONFIG, SELEC TEMPOR SPA**. Pulse el botón **MENU**. Se muestra **SELEC TEMPOR. SPA CONTINUO** (configuración del temporizador de spa predeterminado). Para encender o apagar el spa indefinidamente, pulse el botón **MENU** para seleccionar. Para seleccionar el tiempo de funcionamiento del spa, use el botón **Subir** o **Bajar** para mostrar la opción **SELEC. TEMPOR SPA, SELECCION TIEMPO**. Pulse el botón **MENU** para seleccionar. La pantalla muestra **SELECCIONAR TIEM SPA 01:00 HRS** (configuración de tiempo) predeterminada. Use el botón **Subir** o **Bajar** para seleccionar el tiempo de funcionamiento del spa (entre 00:15 a 23:00 horas, con incrementos de 00:15 minutos). Pulse el botón **MENU** para seleccionar el tiempo de funcionamiento. Pulse **POOL (PISCINA)** o **SPA** para salir del modo de configuración.

5.4.4 Configuración de la Luz de la Pantalla

1. Asegúrese de que el control esté en el modo **OFF**.
2. Para ingresar al modo configuración, pulse y mantenga pulsado el botón **MENU** durante 5 segundos.
3. Para seleccionar la configuración de la luz de la pantalla, use el botón **Subir** o **Bajar** para mostrar **SELEC. MENU CONFIG LUZ PANTALLA**. Pulse el botón **MENU**. Se mostrará **SELEC LUZ PANTALLA ESPERA 2 MIN** (configuración de luz pantalla). Esta opción permite que la luz de la pantalla se apague después de dos minutos. Pulse el botón **MENU** para seleccionar. Use el botón **Subir** o **Bajar** para visualizar **SELEC. LUZ PANTALLA LUZ APAGADA**, esta opción permite que la luz de la pantalla se apague, pulse el botón **MENU** para seleccionar. Use el botón **Subir** o **Bajar** para mostrar la opción **SELEC. LUZ PANTALLA LUZ ENCENDIDA**, esta opción permite que la luz de la pantalla se encienda, pulse el botón **MENU** para seleccionar. Pulse **POOL (PISCINA)** o **SPA** para salir del modo de configuración.

5.5 Bloqueo del Valor de Consigna

Asegúrese de que el control esté en el modo **ON [POOL (PISCINA) o SPA]**, pulse y mantenga pulsados los botones **Subir** y **Bajar** durante 5 segundos. El valor de consigna quedará bloqueado y el control operará en el modo en el que se encontraba cuando sucedió el bloqueo del valor de consigna. Si trata de cambiar el valor de consigna mientras el control se encuentra en bloqueo del valor de consigna, el control mostrará **VALOR DE CONSIGNA BLOQUEADO**. Para desbloquear el valor de consigna (punto de ajuste), pulse y mantenga pulsado los botones **Subir** o **Bajar** durante 5 segundos. La unidad mostrará **VALOR DE CONSIGNA DESBLOQUEADO**.

5.6 Ajuste del Interruptor de Presión de Agua

PRECAUCIÓN

El interruptor de la presión del agua, deberá ajustarse de forma que el calentador se apague cuando se apague la bomba. La calibración del interruptor para que pueda apagarse con flujos demasiado bajos podría averiar el equipo. Ajuste el interruptor para apagar el calentador, no para encenderlo.

El interruptor de presión está configurado previamente en la fábrica para que se active a 14 kPa (2 psi). Esta es la configuración mínima para el interruptor de presión de agua y funciona para todas las instalaciones básicas mostradas anteriormente en la Sección 3.1 y en la Sección 3.5 de este manual. Ajuste el interruptor de presión de agua sólo si la bomba de calor no opera *cuando el flujo adecuado se aplica a la unidad* o si la bomba de calor no se apaga cuando la bomba de filtrado está apagada. Ocasionalmente, las configuraciones de plomería poco utilizadas o las restricciones necesarias en la plomería pueden provocar problemas en el sensor de presión.

En estas raras situaciones, la configuración del sistema de plomería podría requerir un ajuste del interruptor de presión de agua. Los ajustes del interruptor de presión pueden ser necesarios si alguna parte de la tubería del sistema de filtrado se encuentra a un metro o más por encima de la parte superior de la carcasa de la bomba de calor. No ajuste el interruptor de presión si la bomba de calor está instalada por encima de los 1,5 metros o por debajo de los 3 metros de la superficie de la piscina. Consulte con su representante local de Jandy para obtener recomendaciones.

NOTA Si la bomba de calor se ha instalado más de 1,5 m por encima de la superficie de la piscina o 3 m por debajo de la superficie de la piscina debe utilizarse un interruptor de flujo. Por favor ordene la pieza número R0509700.

En algunas instalaciones, la tubería desde la bomba de calor hasta la piscina es muy corta. La presión trasera podría ser demasiado baja para accionar el interruptor de presión. Si esto sucede, podría ser necesario instalar un accesorio direccional o codos donde la línea de retorno ingrese a la piscina. Esto aumentará la presión trasera lo suficiente como para que la bomba de calor opere de forma adecuada. Si necesita esta

configuración, asegúrese de verificar que el flujo del sistema supere el requerimiento mínimo de 110 lpm después de haber instalado el accesorio de dirección o los codos.

Asegúrese de que el filtro de la piscina se encuentre limpio antes de hacer los ajustes al interruptor de presión. Un filtro sucio restringe el flujo del agua y el interruptor de presión no puede ser ajustado de forma adecuada.

Para ajustar el interruptor de presión:

1. Asegúrese de que todas las válvulas del sistema estén configuradas para permitir que el agua fluya a través de la bomba de calor. Encienda la bomba del filtro.
2. Configure el control de la bomba de calor para que requiera calor. Configure el control de la bomba de calor en modo CALEFACCION PISCINA.
3. Si el control de la bomba de calor muestra "NO FLUJO", entonces el flujo del sistema podría estar por debajo del flujo mínimo de 114 lpm necesario para una operación segura de la bomba de calor. Investigue y corrija cualquier problema de flujo antes de ajustar el interruptor de presión de agua.
4. Quite el panel de acceso al control de la bomba de calor. El interruptor de presión de agua está ubicado en la esquina inferior izquierda del compartimiento de control.
5. Después de confirmar que la medida del caudal se encuentra por lo menos a 114 lpm, gire lentamente la ruedita del interruptor de presión de agua en sentido **contra reloj** hasta que el indicador "NO FLUJO" desaparezca de la pantalla del control. Recuerde que existe una demora antes de que el compresor de la bomba de calor se encienda.
6. Una vez que la bomba de calor esté en funcionamiento, apague la bomba del filtro. La bomba de calor debería apagarse de forma inmediata.
7. Si la bomba de calor continúa operando cuando la bomba del filtro está apagada, gire la ruedita del interruptor de presión de agua en sentido **del reloj** hasta que se muestre "NO FLUJO" en el control y la bomba de calor se apague.
8. Verifique la configuración del interruptor de presión de agua encendiendo y apagando la bomba del filtro y verificando la pantalla del control y el funcionamiento del calentador entre un cambio de flujo y otro.
9. Si el interruptor de presión de agua no puede ser ajustado para acomodarlo a las situaciones antes mencionadas, se debe agregar un interruptor de flujo externo en el sistema de plomería para asegurar que la bomba de calor no operará sin el flujo adecuado a través del intercambiador de calor.

Tabla 3. Óptimo Balance del Agua

Prueba	Nivel Recomendado
Cloro libre o	1.0 a 3.0 p.m.
Bromo	2.0 a 4.0 p.m.
pH	7.2 a 7.8 (Los rangos ideales son de entre 7,4 y 7,6)
Alcalinidad total (TA)	80 a 120 ppm
Dureza de calcio (CH)	175 a 400 ppm
Ácido cianúrico	50 a 75 ppm
Totales de sólidos disueltos (TDS)	1000 a 2000 ppm (La exclusión de la disolución del NaCl del generador de cloro de sal)
Cobre	0 ppm

* Los niveles de concentración corresponden a "Basic Pool and Spa Technology", documento publicado por APSP (Asociación de Profesionales de Piscinas y Spa).

Sección 6. Mantenimiento General

6.1 Química del Agua

Para que las condiciones de baño sean higiénicas y para que la bomba de calor tenga la máxima duración, es necesario tener un equilibrio correcto de los agentes químicos utilizados. Asegúrese de que los niveles de concentración química y mineral se encuentren dentro de los valores indicados en la Tabla 3.

NOTA Para spas, también es necesario realizar cambios de agua además del tratamiento químico. Se recomienda cambiar el agua del spa cada 60 días si se le da poco uso y cada 30 días si el uso es intenso.

6.2 Preparación para el Invierno

PRECAUCIÓN

La falta de acondicionamiento de la bomba de calor para el invierno podría causarle daños y anular la garantía.

En áreas con temperaturas congeladas, debe proteger su bomba, filtro y bomba de calor de los elementos. Realice los siguientes pasos para hacer un drenaje completo de la bomba de calor (véase Figura 16).

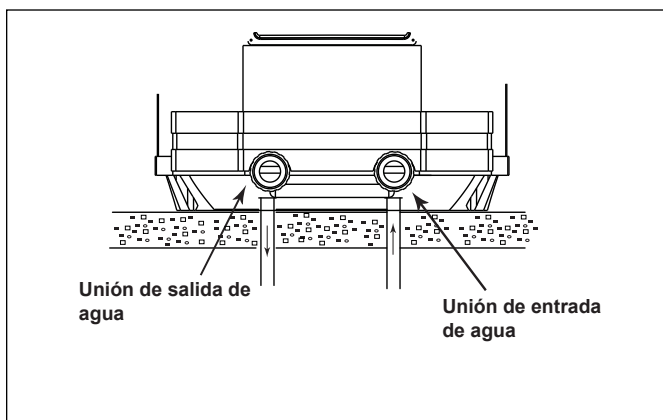


Figura 16. Preparación para el Invierno de la Bomba de Calor EE-Ti

1. Corte el suministro de energía de la bomba de calor desde el panel del disyuntor principal.
2. Corte el suministro de agua a la bomba de calor.
3. Desconecte las uniones de entrada y salida de agua ubicadas en la parte más baja del panel frontal de la bomba de calor. El termocambiador drenará a través de estas conexiones.
4. Cubra solamente la parte superior de la bomba para impedir que la suciedad caiga dentro de la unidad. No envuelva los laterales de la bomba de calor con ningún plástico ni ningún otro material que retenga calor o humedad dentro de la unidad.

6.3 Encendido de Primavera

Si su bomba de calor fue preparada para el invierno, realice los siguientes pasos al encender el sistema en primavera:

1. Destape la bomba de calor e inspeccione la parte superior y los lados para detectar suciedad o problemas estructurales.
2. Conecte las uniones de entrada y salida de agua ubicadas en la parte inferior del panel frontal de la bomba de calor.
3. Encienda la bomba de filtro para suministrar agua a la bomba de calor. Haga circular agua en todo el sistema por un tiempo suficiente de modo que toda el agua de la piscina pase por el filtro. Inspeccione y busque fugas dentro y alrededor de la bomba de calor.
4. Inspeccione la composición y el balance químicos de la piscina de ser necesario.
5. Encienda la energía eléctrica de la bomba de calor desde el panel del disyuntor principal.

6.4 Inspección y Operaciones de Servicio

Las bombas de calor Jandy están diseñadas y construidas para proveer rendimiento de larga vida si se instalan y operan de forma adecuada en condiciones normales. Las inspecciones periódicas son importantes para mantener funcionando de forma segura y eficiente a la bomba de calor a través de los años.

6.4.1 Inspección del Propietario

PRECAUCIÓN

No utilice esta bomba de calor si alguna de sus partes fue sumergida en agua. Llame inmediatamente a un técnico calificado para que inspeccione el equipo y reemplace cualquier parte del sistema de control que haya sido sumergida en el agua.

Jandy recomienda que inspeccione su bomba de calor de forma periódica y en especial después de condiciones climáticas anormales. Las siguientes pautas básicas son una sugerencia para realizar su inspección:

1. Mantenga el área superior y lateral de la bomba de calor libres de suciedad.
2. Mantenga todas las plantas y los arbustos recortados y lejos de la bomba de calor.

La bomba de calor producirá condensación (agua) mientras se encuentre en funcionamiento. La base de la bomba de agua está diseñada para permitir que salga la condensación a través del orificio de drenaje en la parte de atrás cuando la unidad está en funcionamiento. La condensación aumentará si aumenta el nivel de humedad del aire exterior. Inspeccione lo siguiente en intervalos regulares para asegurar el drenaje de condensación adecuado:

1. Inspeccione visualmente y libre de suciedad los orificios de drenaje inferiores que podrían tapar los puertos.
2. Asegúrese de que el agua condensada no haga charcos dentro de la bomba de calor.
3. Asegúrese de que la condensación fluya hacia afuera del equipo de forma adecuada para que no socave la plataforma.

En operación normal, la bomba de calor produce de tres a cinco galones de condensación por hora. Si el drenaje de condensación supera este rango durante la operación o si el agua continúa drenando desde la base cuando la bomba de calor no está funcionando por más de una hora, es posible que exista una fuga en la plomería interna. Llame a un técnico de bombas de calor calificado para que investigue el problema.

Mantenga libre de suciedad la descarga de flujo de aire superior y el área de toma de flujo de aire para que el aire que fluya a través de la bomba de calor no sea restringido. El aire frío de descarga de la parte superior no debería acumularse y ser extraído por las bobinas de toma de aire laterales. Mantenga todas las plantas y los arbustos recortados y lejos de la bomba de calor.

Asegúrese de que la parte frontal de la unidad se encuentre accesible para operaciones de servicio futuras.

Mantenga la bomba de calor fuera del alcance de las cabezas de los rociadores de césped para prevenir la corrosión y el daño. Utilice un deflector si fuera necesario.

Si la unidad está instalada bajo un techo muy inclinado o sin canal, se debe instalar una canal para evitar que caiga agua en exceso sobre la unidad.

6.4.2 Inspección Profesional

Para mantener la operación segura y eficiente de su bomba de calor es necesario que un técnico calificado la inspeccione al menos una vez al año. Las siguientes inspecciones de seguridad básicas deben llevarse a cabo.

1. Inspeccionar y asegurarse de que no haya cables y conexiones de terminales sueltos o rotos.
2. Verifique el funcionamiento del interruptor de presión o del interruptor de flujo. Apague la bomba de calor. Desconecte la energía del reloj de la bomba o póngalo en OFF. Vuelva a encender la bomba de calor. La bomba de calor no debe volver a encenderse.
3. Inspeccione los controles eléctricos, en especial los siguientes:
 - a. Límites superiores e inferiores
 - b. Interruptor de presión o del interruptor de flujo
 - c. Control de temperatura
4. Inspeccione la bobina de evaporación para detectar bloqueos y limpie de ser necesario.
5. Inspeccione y asegúrese de que no haya telarañas ni suciedad en el drenaje de condensación; limpiar de ser necesario.
6. Lleve a cabo un ciclo de operación normal y observe si la unidad opera adecuadamente.

Sección 7. Mantenimiento y Servicio Profesional

7.1 Diseño de la Bomba de Calor

La bomba de calor Jandy Air Energy Heat Pump es una de las formas más eficientes de calentar una piscina o spa. La bomba de calor transfiere calor desde el aire exterior al agua de la piscina o spa por medio de un intercambiador de calor interno.

Cuando se enciende el ventilador, el aire caliente pasa por el evaporador cargado de refrigerante convirtiendo al refrigerante líquido frío en un gas caliente. Luego, el gas fluye a través del compresor donde es comprimido y genera una temperatura mucho más alta.

El gas caliente entra al intercambiador de calor donde el agua extrae el calor. La bomba toma agua fría de la piscina a la vez que el gas caliente se convierte otra vez en líquido refrigerante y comienza el ciclo otra vez.

La bomba de calor EE-Ti utiliza un refrigerante llamado R-410A. Se trata de un refrigerante que no agota la capa de ozono y que es aceptado por la EPA. El R410A tiene funcionamiento de presión superior y mejores capacidades de refrigeración que el R-22, que es el refrigerante utilizado en la bomba de calor AE-Ti. Por lo tanto, R410A NUNCA debe ser usado en cualquiera de las bombas de calor AE-Ti.

EPA requiere la certificación para comprar o usar R410A. Se recomienda que el personal de servicio sea capacitado en instalación, servicio, soldadura y procedimientos de mantenimiento. Son similares a lo que la industria ha utilizado para el sistema del R-22, sin embargo, deben redefinirse para las presiones de operación más altas.

NOTA La salida de calor máxima y la eficiencia de la bomba de calor dependen de la calidad y el rendimiento de la mayoría de los componentes utilizados. De igual importancia son las condiciones ambientales (por ejemplo, la temperatura del aire, la humedad, la temperatura del agua y el viento).

7.2 Componentes de la Bomba de Calor y las Formas de Operarlos

Evaporador – Mientras el aire pasa a través del evaporador, el refrigerante en el evaporador absorbe el calor del aire ambiental. Cuanto mayor sea el calor del aire ambiental y más grande sea el área de la superficie del evaporador, más calor podrá absorber.

Ventilador – El ventilador produce un alto volumen de flujo de aire. Se requiere un flujo de aire adecuado para transferir aire caliente al evaporador grande.

Compresor – El compresor comprime el gas a una presión más alta, aumentando así la temperatura.

Intercambiador de calor – Como último paso del proceso de calentamiento, el intercambiador de calor transfiere el calor del gas caliente al agua. (También conocido como condensador).

Válvula Reversible – (para unidades híbridas con enfriador opcional y descongelador de gas caliente) La válvula reversible invierte el flujo del refrigerante y como resultado transfiere gas frío al agua, bajando así la temperatura.

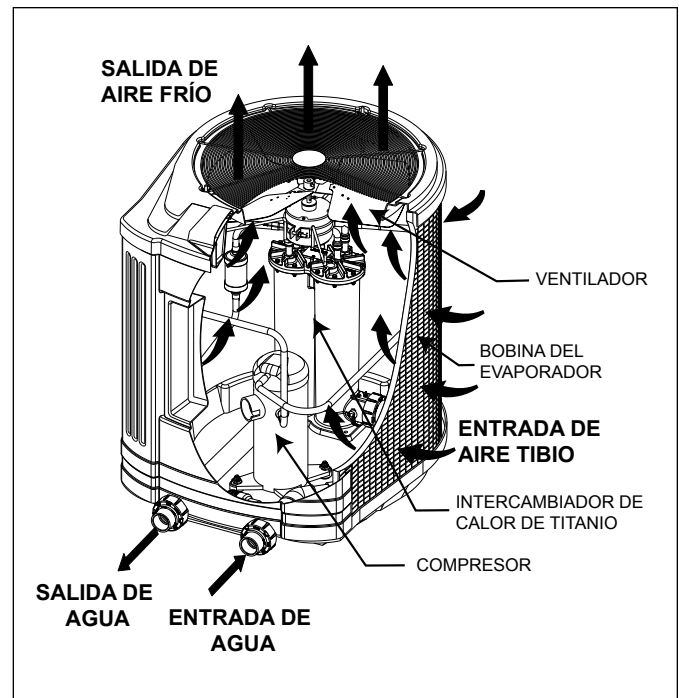


Figura 17. Vista General del Funcionamiento de la Bomba de Calor

Sección 8. Solución de Problemas

8.1 Guía de Solución de Problemas

La siguiente tabla provee síntomas y soluciones de problemas generales de la bomba de calor.

Tabla 4. Guía de Solución de Problemas para la Bomba de Calor

SINTOMA	ACCIÓN CORRECTIVA
La bomba de calor no enciende, no se ve nada en la pantalla del tablero de control.	El disyuntor o un fusible podrían estar desconectados. Restablecer disyuntor o verificar fusible. Si la bomba de calor aún no funciona, comuníquese con el servicio técnico. Sólo modelos trifásicos – Si las fases se invirtiesen o existiera una pérdida de fase, comuníquese con el servicio técnico.
La bomba de calor no enciende, la pantalla del tablero de control está funcionando.	La bomba de calor puede estar en cuenta regresiva de demora de 5 minutos. Asegúrese de que el termostato del tablero de control esté requiriendo calor (verifique la configuración del termostato y lectura de temperatura). Asegúrese de que la bomba de calor no se encuentre en modo frío.
La bomba de calor funciona pero no calienta.	Verifique que esté saliendo aire frío de la parte superior de la bomba de calor. Si la bomba de calor ha sido instalada o si el agua de la piscina se ha enfriado de forma significativa, es necesario que opere la bomba de calor de forma continua durante 24 a 48 horas. Si la bomba de calor ha estado en funcionamiento durante un tiempo, aumente el tiempo de circulación de la bomba o cambie el tablero de control a la función Mantener calor. Si está calentando un spa, verifique que ninguna toma de aire esté abierta. Si la bomba de calor aún no calienta, comuníquese con el servicio técnico.
La bomba de calor no funciona y el tablero de control muestra AVERIA- NO FLUJO AGUA	Verifique que la bomba de circulación está encendida y que todas las válvulas necesarias se encuentren en la posición correcta. Verifique que el filtro y los espumadores estén limpios. Verifique el nivel del agua en la piscina. Apague por un tiempo todas las fuentes y cascadas que se desvíen de la misma toma de agua de la bomba de calor. Si esto no corrige el problema, comuníquese con el servicio técnico.
La bomba de calor no funciona y el tablero de control muestra AVERIA- ALTA PRESION REFR.	Verifique que la bomba de circulación esté encendida y que no existan restricciones en el flujo/caudal de agua hacia la bomba de calor. Asegúrese de que todas las válvulas necesarias estén abiertas o en la posición correcta para permitir el flujo de agua adecuado hacia la bomba de calor. Verifique que el filtro y los espumadores estén limpios. Verifique el nivel del agua en la piscina. Esto puede suceder si la bomba de calor no ha sido operada durante un largo tiempo. Para solucionarlo, encienda y apague la bomba de calor hasta 3 veces. Si esto no corrige el problema, comuníquese con el servicio técnico.
La bomba de calor no funciona o sus ciclos son cortos y el tablero de control muestra AVERIA- BAJA PRESION REFR.	Verifique que el ventilador esté funcionando y que salga aire de la parte superior de la bomba de calor, mientras está en un ciclo corto. Si la bomba de calor no funciona, comuníquese con el servicio técnico.
Bomba de calor con fuga de agua.	Posible fuga en el intercambiador de calor o la plomería. Apague la bomba de calor, luego apague la bomba de circulación por lo menos una hora para ver si se detiene la fuga de agua. Si se detiene la fuga, se debe a una condensación normal. Si continúa después de haber apagado la bomba de calor durante por lo menos una hora, comuníquese con el servicio técnico.

8.2 Diagnósticos

En caso de que se abra un interruptor de presión o suceda alguna otra avería, la pantalla mostrará la avería hasta que el problema haya sido resuelto. Sírvase consultar la siguiente tabla para obtener una lista de las condiciones de diagnóstico.

Tabla 5. Diagnósticos de la Bomba de Calor

CONDICIÓN DE DIAGNÓSTICO	DESCRIPCIÓN
AVERIA- NO FLUJO AGUA	Flujo, o caudal, de agua bajo o restringido a través de la bomba de calor. La válvula de paso externa se encuentra en la posición incorrecta o el interruptor de flujo de agua ha funcionado mal. El interruptor de flujo de agua se abre creando una avería y la bomba de calor se apaga.
AVERIA- BAJA PRESION REFR.	Cuando la temperatura ambiente es baja, la presión de succión puede caer de forma significativa. Esta avería causará que se abra el interruptor de presión baja y el control apagará el compresor.
AVERIA- ALTA PRESION REFR.	Cuando la presión de entrada es demasiado alta, el interruptor de alta presión se abrirá provocando que se apague la bomba de calor de forma inmediata. El control detectará esta condición de avería y apagará el compresor hasta que el interruptor se vuelva a cerrar.
AVERIA- ALTA TEMPER. AGUA	Cuando la temperatura del agua de la PISCINA o SPA se calienta hasta la temperatura máxima permitida o por encima de ella, existen riesgos de seguridad para todo aquel que se encuentre en el agua. El termostato del agua leerá esta temperatura y el control apagará la bomba de calor a menos que se encuentre en el modo de enfriar. Esta función también permanece activa cuando el control solicita calor a través de un termostato remoto. Esto es para asegurar que la temperatura del agua no alcance un nivel alto anormal debido a un posible desperfecto del sensor remoto.
AVERIA- SENSOR BOBINA CC -o- AVERIA- SENSOR BOB CIR ABI	En caso de que el sensor de temperatura de la bobina funcione mal o no se encuentre conectado, el control apagará la bomba de calor.
AVERIA- SENSOR AGUA CC -o- AVERIA- SENSOR AGUA CIR AB	En caso de que el sensor de temperatura del agua funcione mal o no se encuentre conectado, el control apagará la bomba de calor.

Sección 9. Repuestos

9.1 Información de Pedidos

Para pedir o comprar repuestos para los modelos de bombas de calor EE-Ti, comuníquese con el distribuidor Jandy de su localidad. Consulte la página Web de Jandy en www.jandy.com para obtener la ubicación del centro de servicio más cercano. Si no encuentra lo que necesita, comuníquese con el Departamento de servicio al cliente Jandy en la siguiente dirección: 6000 Condor Drive, Moorpark, CA 93021, U.S.A. Tel. (800) 822-7933.

9.2 Lista de Repuestos para las Bombas de Calor Jandy EE-Ti

No. de clave	Descripción	No. de modelo	Pedido No. de pieza	No. de clave	Descripción	No. de modelo	Pedido No. de pieza
1	Tapa superior, Carcasa	1500	R3009700	22*	Válvula de expansión térmica, 7 ton. (No se muestra)	2000	R0509502
1	Tapa superior, Carcasa	2000, 2500, 3000	R3009100	22*	Válvula de expansión térmica, 8 ton. (No se muestra)	2500	R0509503
2	Panel de acceso para servicio	Todos	R3000500	22*	Válvula de expansión térmica, 8 ton. (No se muestra)	3000	R0509504
3	Tapa de control - ahumada	Todos	R3000601	23	23 cm Tubo Recibidor	Todos	R0522500
4	Motor del ventilador, 1/6 HP, 230 V CA	1500	R3000703	24	Sensor de la temperatura del agua	Todos	R0509504
4	Motor del ventilador, 1/2 HP, 230 V CA	2000, 2500, 3000	R3000701	25*	Monitor trifásico (sólo modelos trifásicos) (No se muestra)	2000, 2500, 3000	R3003000
5	Contactador, monofásico	Todos	R3000801	26	Sensor de la temperatura del aire	Todos	R3003100
5	Contactador, trifásico	2000, 2500, 3000	R3000802	27*	Válvula de inversión (Opcional, No se muestra)	2500R, 3000R	R3003801
6	Transformador, 240V 24VA	Todos	R3000901	28*	Conjunto de abrazaderas de ancla (No se muestra)	Todos	R3003203
7	Interruptor de presión de agua	Todos	R3001000	29*	Kit de drenaje de la bomba de calor (No se muestra)	Todos	R3004100
8	Condensador, Motor del ventilador, 3/370 MFD	1500	R3001101	30	Tapa de la caja terminal	Todos	R3004600
8	Condensador, Motor del ventilador, 7.5/370 MFD	2000, 2500, 3000	R3001100	31	Interfaz eléctrico PCB	Todos	R3009200
9	Condensador, Compresor, 60/370 (1 PH Only)	1500	R3001204	32	Relé del ventilador	Todos	R3009300
9	Condensador, Compresor, 80/370 (1 PH Only)	2000, 2500, 3000	R3001203	33	Filtro-deshidratador, 164s	1500	R0490904
10	Panel de Control, Universal	Todos	R3008800	33	Filtro-deshidratador, 165s	2000, 2500, 3000	R0490905
11	Interruptor HP (alta presión) de refrigerante, 650-460 psig	Todos	R0509900	33	Filtro-deshidratador, 165s flujo doble	2500R, 3000R	R0490906
12	Interruptor LP (baja presión) de refrigerante, 58-127 psig	Todos	R0510001	34*	Equipo de reparación (No se muestra) Componentes opcionales	Todos	R3001900
12	Interruptor LP (baja presión) de refrigerante, 35-74 psig	2500R, 3000R	R0510002	35*	Kit de Reparacion Plast-aid (No se muestra)	All	R0490800
13	Kit de arnés para cableado (No se muestra)	Todos	R3009000	36*	Juego de puesta en marcha	1500	R0528300
14	Juego de aspas del ventilador	1500	R3001701	37*	Interruptor de flujo	Todos	R0509700
14	Juego de aspas del ventilador	2000, 2500, 3000	R3001700				
15	Protección del ventilador	1500	R3001801				
15	Protección del ventilador	2000, 2500, 3000	R3001800				
16	Montaje de válvula de plomería	Todos	R0561601				
16	Montaje de válvula de plomería	Todos	R0561602				
17	Unión universal, juego de refuerzos	Todos	R0472700				
18	Bobina de evaporación/Protección	1500	R0510201				
18	Bobina de evaporación/Protección	2000	R0510202				
18	Bobina de evaporación/Protección	2500	R0510203				
18	Bobina de evaporación/Protección	3000	R0510204				
20	Kit de reemplazo del intercambiador de calor, 1x8	1500	R0561405				
20	Kit de reemplazo del intercambiador de calor, 2x6	2000	R0561406				
20	Kit de reemplazo del intercambiador de calor, 2x7	2500	R0561407				
20	Kit de reemplazo del intercambiador de calor, 2x8	3000	R0561408				
21	Compresor (40K), monofásico	1500	R0510300				
21	Compresor (60K), monofásico	2000	R0510400				
21	Compresor (68K), monofásico	2500	R0510500				
21	Compresor (81K), monofásico	3000	R0510600				
21	Compresor (60K), trifásico	2000	R0510900				
21	Compresor (68K), trifásico	2500	R0510700				
21	Compresor (81K), trifásico	3000	R0510800				
22	Válvula de expansión térmica, 4 ton. (No se muestra)	1500	R0509501				

9.3 Vista Ampliada de la Bomba de Calor Jandy EE-Ti

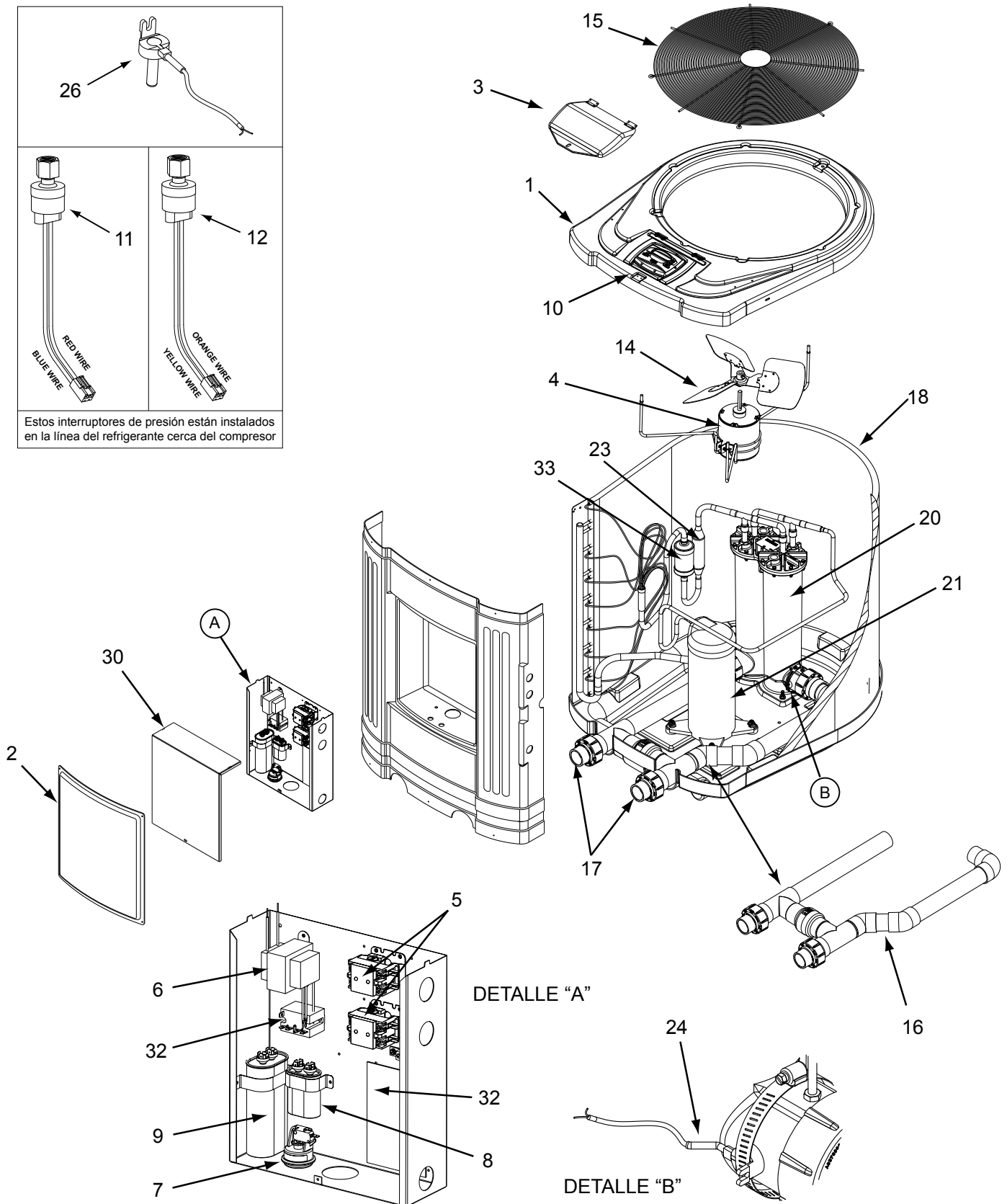


Figura 18. Vista Ampliada de la Bomba de Calor Jandy EE-Ti (EE2000 ilustrado)

Zodiac Pool Systems, Inc.
2620 Commerce Way, Vista, CA 92081
1.800.822.7933 | www.ZodiacPoolSystems.com



LISTADO POR ETL Y EN
CONFORMIDAD CON UL STD 1995

CERTIFICADO PARA
CAN/CSA C22.2 NO.236

*ZODIAC® es una marca registrada de Zodiac International, S.A.S.U., usada bajo licencia.
Todas las otras marcas registradas usadas aquí son propiedad de sus propietarios*

©2012 Zodiac Pool Systems, Inc. H0335800 Rev H 1206

