



INSTALLATION AND OPERATION MANUAL

ENGLISH | FRANÇAIS | ESPAÑOL

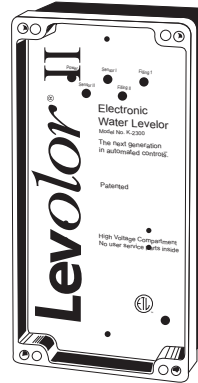
Jandy Levolor® Electronic Water Leveler Models K-1100, LX2, K-2300, and LEV110CK/2G



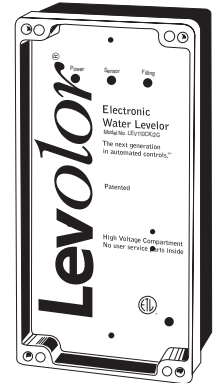
K-1100



LX2



K-2300



LEV110CK/2G

WARNING

FOR YOUR SAFETY - This product must be installed and serviced by a contractor who is licensed and qualified in pool equipment by the jurisdiction in which the product will be installed where such state or local requirements exist. The maintainer must be a professional with sufficient experience in pool equipment installation and maintenance so that all of the instructions in this manual can be followed exactly. Before installing this product, read and follow all warning notices and instructions that accompany this product. Failure to follow warning notices and instructions may result in property damage, personal injury, or death. Improper installation and/or operation will void the warranty. Improper installation and/or operation can create unwanted electrical hazard which can cause serious injury, property damage, or death.



ATTENTION INSTALLER - This manual contains important information about the installation, operation and safe use of this product. This information should be given to the owner/operator of this equipment.

Table of Contents

Section 1. Safety Information	4
Section 2. System Description	5
2.1 Electrical Specifications	5
2.2 Wiring Diagrams	6
Section 3. Installation Instructions	10
3.1 Materials and Tools	10
3.2 Installing the Control Box	10
3.3 Changing Wiring for 110 Volt Operation ...	11
3.4 Grounding	11
3.5 Installing the Valve	11
3.6 Installing the Sensor	12
3.7 Installation Diagrams	13
Section 4. Operation.....	16
4.1 K-1100, LEV110CK/2G, and LX2.....	16
4.2 K-2300	17
4.3 Fill Safety Lockout Mode	17
4.4 Fill Time before Lockout.....	18
Section 5. Troubleshooting	19
5.1 Manual Valve Override	19
5.2 Initial Observations at Job Site	19
5.3 Test Operation of Control Unit	19
5.4 Fill Will Not Turn OFF	20
5.5 Fill Will Not Turn ON	21
Section 6. Replacement Parts	22
6.1 Ordering Information.....	22

Section 1. Safety Information

IMPORTANT SAFETY INSTRUCTIONS PERTAINING TO A RISK OF PROPERTY DAMAGE OR INJURY TO PERSONS READ AND FOLLOW ALL INSTRUCTIONS

When installing and using this equipment, basic safety precautions should always be followed, including the following:

WARNING

FOR YOUR SAFETY. This product must be installed and serviced by a professional service technician, qualified in pool/spa installation and maintenance. Improper installation or operation could cause serious injury, property damage, or death. Improper installation or operation will void the warranty.

WARNING

Before installing this product, read and follow all warning notices and instructions accompanying them. Failure to follow safety warnings and instructions could result in severe injury, death, or property damage.



WARNING

To reduce the risk of injury, do not permit children to use this product unless they are closely supervised at all times.

WARNING

Risk of electric shock - Install the control box at least five (5) feet (152.4cm) from the inside wall of the pool and/or hot tub using non-metallic plumbing. Canadian installations must be at least three (3) meters from the water. Children should not use spas or hot tubs without adult supervision.
Do not use spas or hot tubs unless all suction guards are installed to prevent body and hair entrapment.
People using medications and/or having an adverse medical history should consult a physician before using a spa or hot tub.

WARNING

To reduce the risk of electrical shock, connect the green ground wire marked  to the ground of your electric service or supply panel with a continuous copper conductor having green insulation and one that is equivalent in size to the circuit conductors supplying this equipment, but no smaller than number 12 AWG (3.3mm). This ground wire marked  is provided within the control box.



Attention Installer: Install to provide drainage of compartment for electrical components.



ATTENTION INSTALLER: This manual contains important information about the installation, operation and safe use of this product. This information should be given to the owner/operator of this equipment.

SAVE THESE INSTRUCTIONS

Section 2. System Description

Levolor® Models K-1100, LEV110CK/2G, and LX2 are computer-controlled devices that detect a low water condition and automatically replace the water to a pre-set level. They can be used in all pools and spas.

The LEV110CK/2G is designed for use in large commercial applications.

Levolor II, Model K-2300, is a dual-fill device that can maintain the water level in two (2) separate environments, such as a pool/spa combination or other dual-equipped application. It can be used in any situation where a consistent liquid level is desired.

The Levolor kit contains a sensor, a control box, and a solenoid valve. The Levolor II kit contains two (2) sensors, a control box, and two (2) solenoid valves.

For more details, see *Section 3.1, Materials and Tools*.

Sensor

There are three (3) styles of sensors:

1. Slip Style - installed in static pipe in new pool.
2. Skim Style - installed in skimmer in existing pool (also known as Half-moon Style).
3. Dual Style (Slip on one end/Skim on other end).

NOTE An optional threaded sensor can be installed in a static pipe in a new pool.

Depending on the model, the sensor comes with 50 to 500 feet of wire at the top and two (2) stainless steel contacts at the bottom. You can cut off the sensor wire you do not use.

Control Box

The control boxes for K-1100, LX2 and LEV110CK/2G have three (3) LED displays: Power, Sensor, and Filling. The control box for the K-2300 has five (5) LED displays: Power, Sensor I, Filling I, Sensor II, and Filling II. For more details, see *Section 4. Operation*.

The K-1100, K-2300, and LEV110CK/2G are factory wired for 220 volt operation and require rewiring for 110 volt operation. The LX2 comes in a 220 volt unit and a 110 volt unit.

Valve

The K-1100, LX2, and LEV110CK/2G require one (1) valve, and the K-2300 requires two (2) valves.

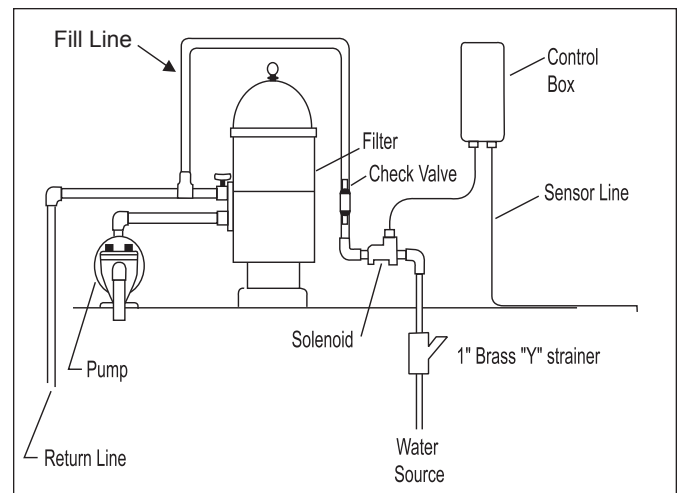


Figure 1. K-1100 or LEV110CK/2G Installation

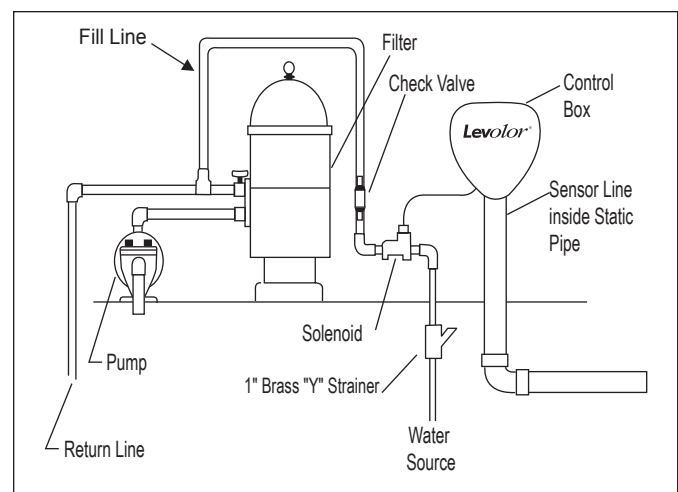


Figure 2. LX2 Installation

The K-1100, LX2, and K-2300 use a 1" valve (Part # SOL100). It has a pressure rating that cannot exceed 125 PSI.

The LEV110CK/2G uses a 2" valve (Part # SOL200). It has a pressure rating that cannot exceed 150 PSI.

2.1 Electrical Specifications

Models K-1100, LX2, K-2300, and LEV110CK/2G

Input: 110 VAC, 50/60 HZ, 0.5 AMPS

220 VAC, 50/60 HZ, 0.5 AMPS

Output: 24 VAC@ 1 AMP

CAUTION

Models K-1100, K-2300, and LEV110CK/2G are factory wired for 220 VAC service. If available electrical service is 110 VAC, the power supply wiring must be changed to operate on 110 VAC as shown in figures 4, and 5.

2.2 Wiring Diagrams

This section contains wiring diagrams for the K-1100, K-2300, and LEV110CK/2G, along with detailed views of the factory-direct wiring for 220 VAC and the modified wiring for 110 VAC. The section also contains a wiring diagram for the LX2, along with detailed views of the factory-direct wiring for the 220 VAC and 110 VAC units.

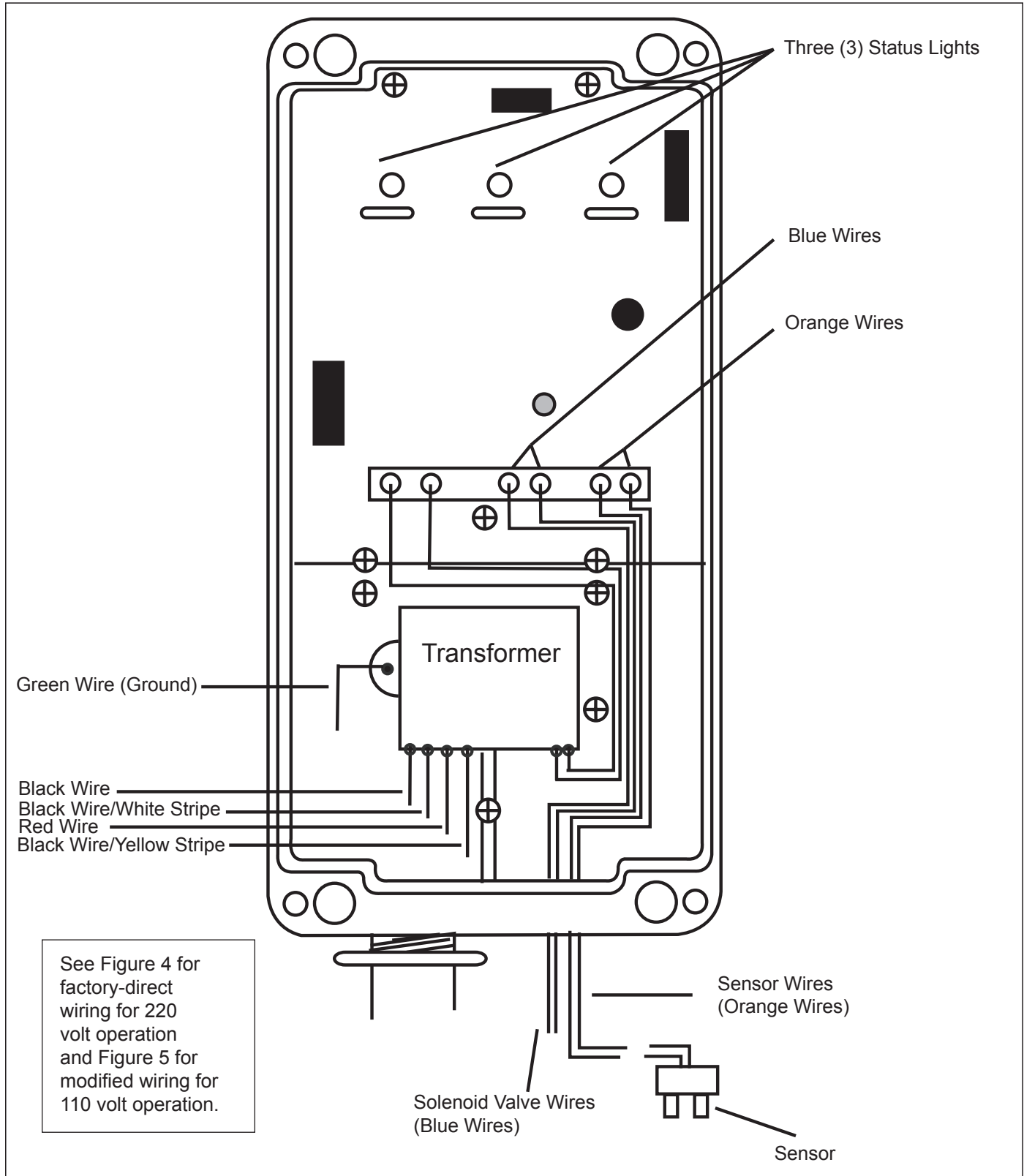


Figure 3. K-1100 and LEV110CK/2G Control Box

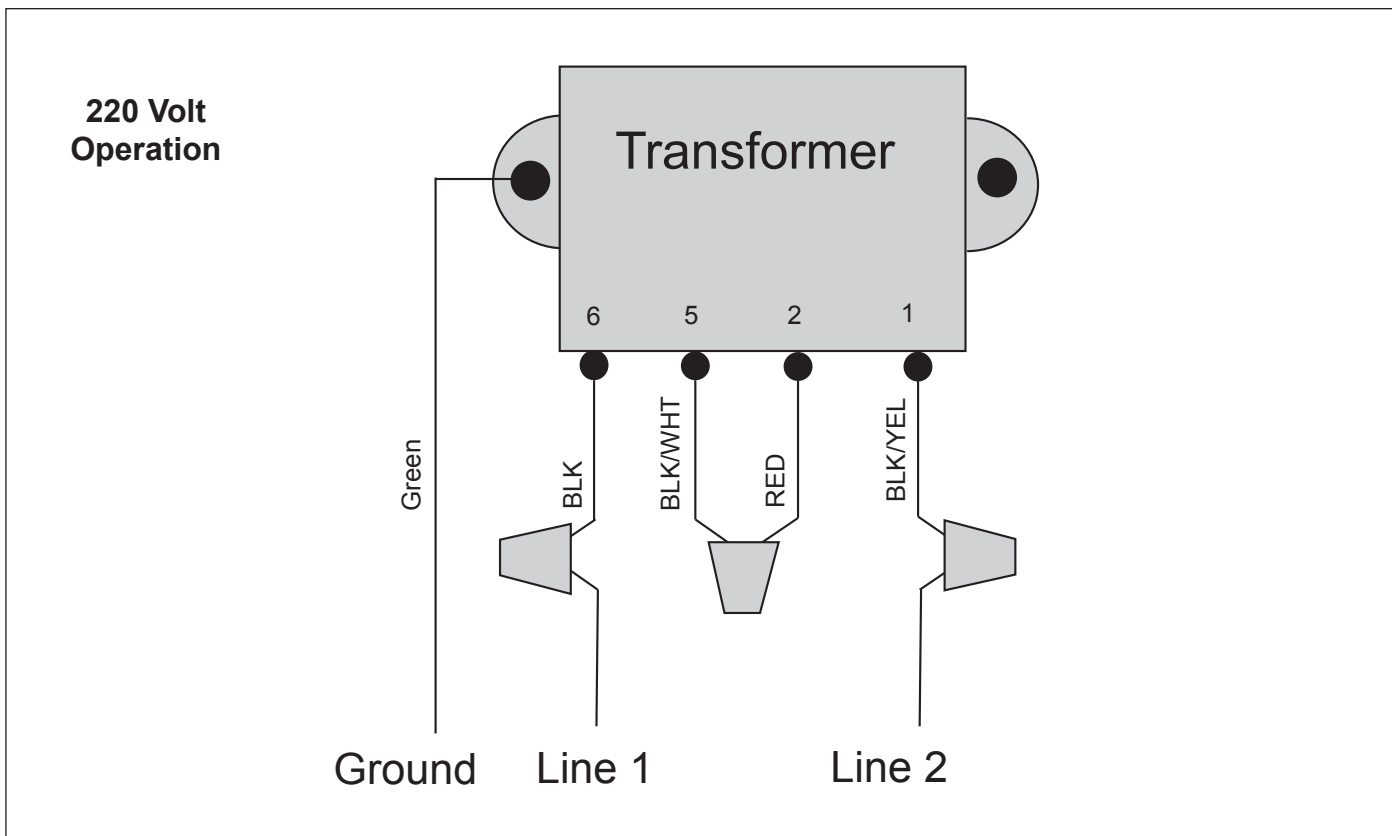


Figure 4. K-1100, K-2300, and LEV110CK/2G Factory Wiring for 220 Volt Operation

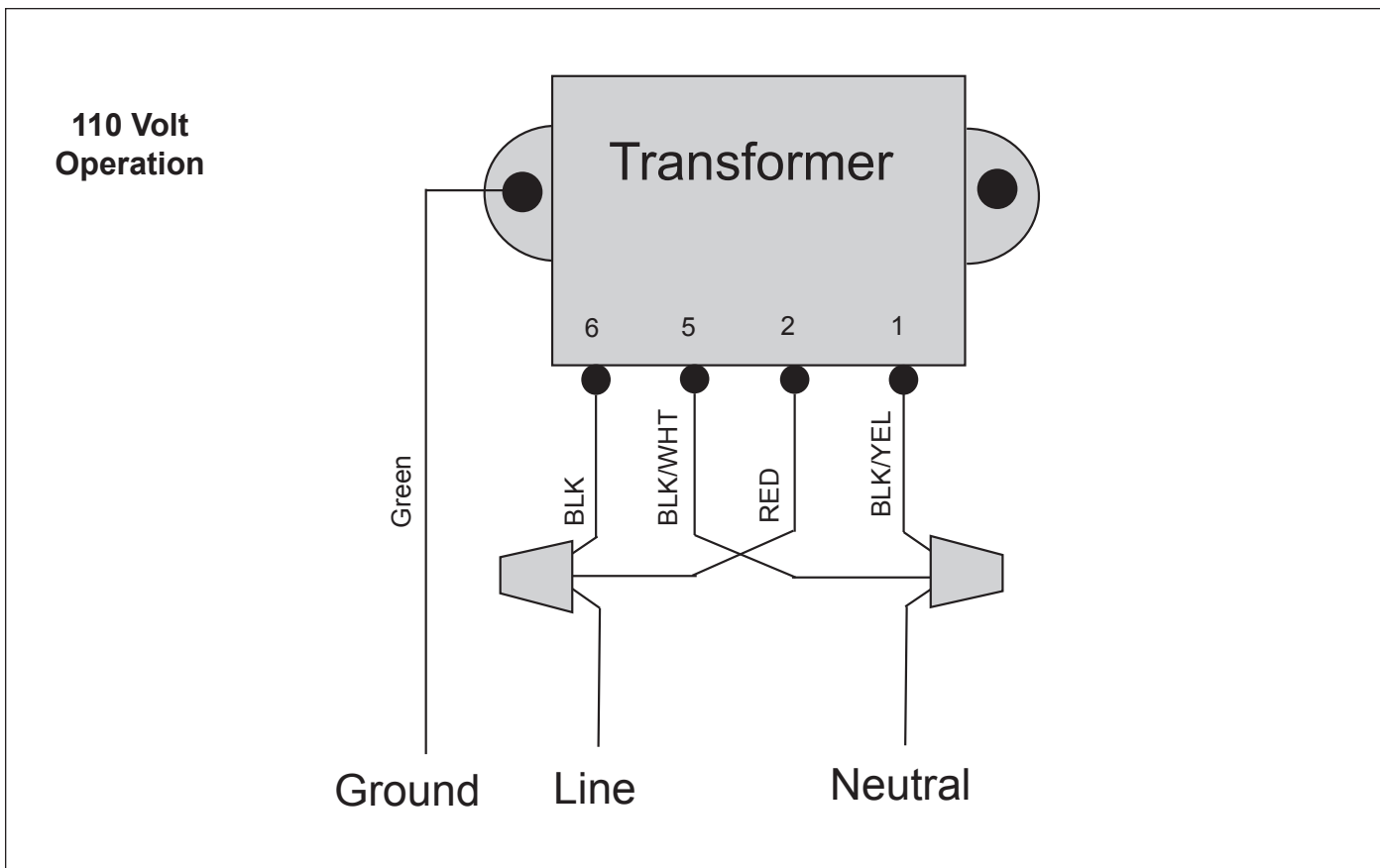


Figure 5. K-1100, K-2300, and LEV110CK/2G Modified Wiring for 110 Volt Operation

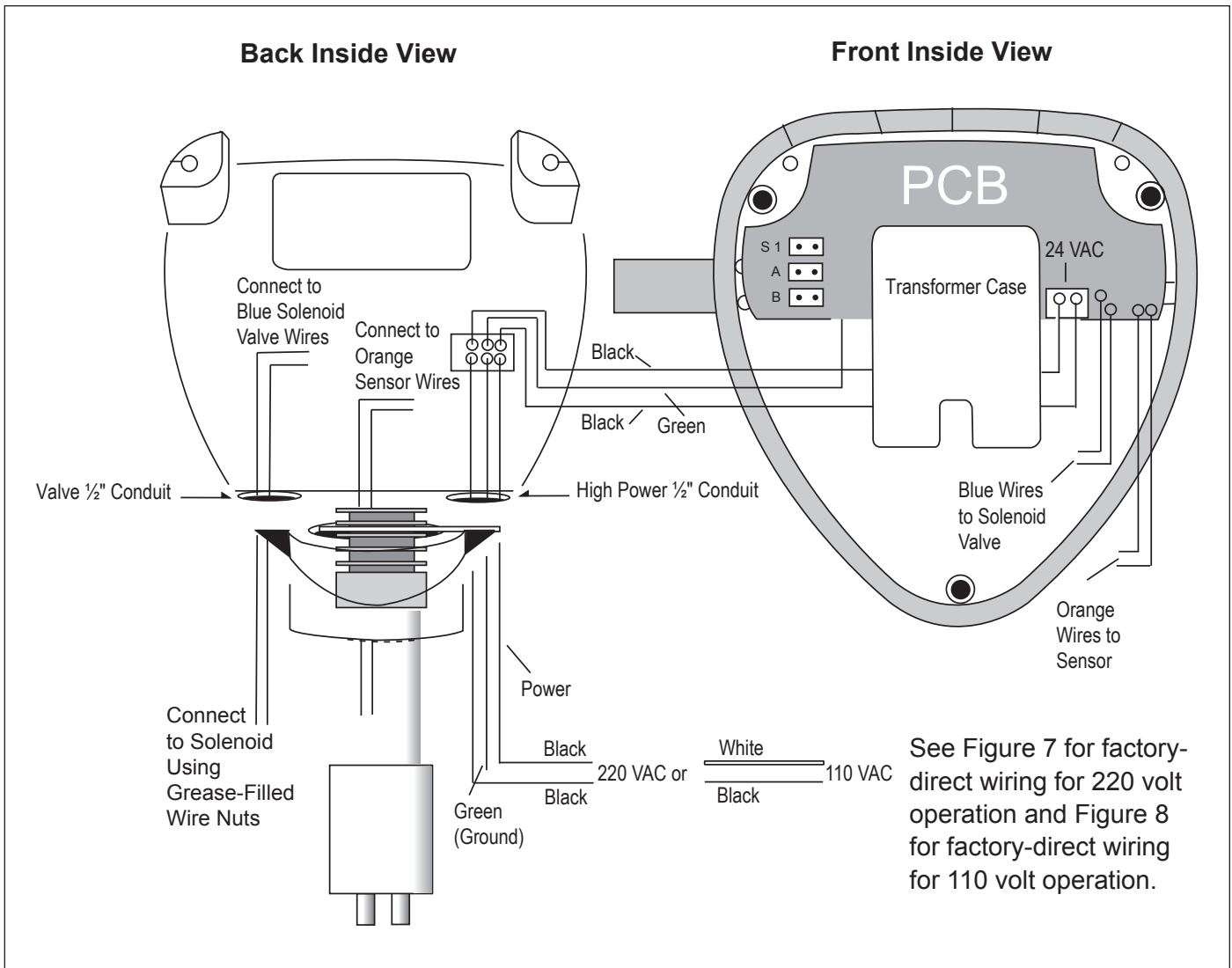


Figure 6. LX2 Control Box

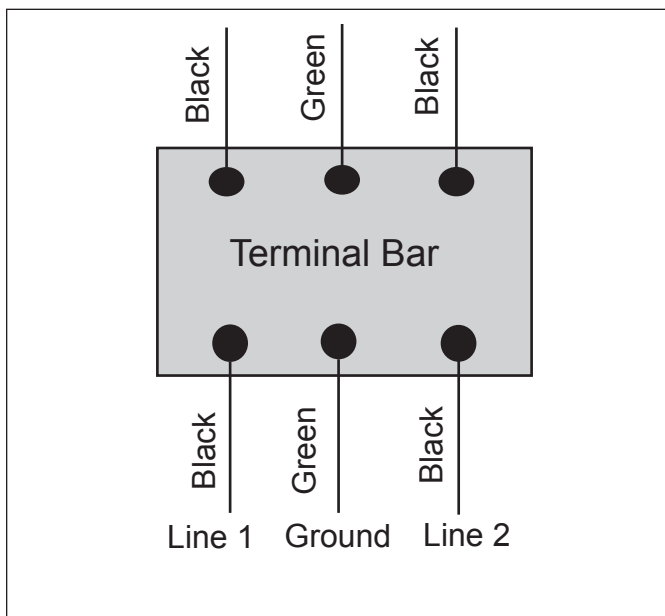


Figure 7. LX2 Factory Direct Wiring for 220 Volt Unit

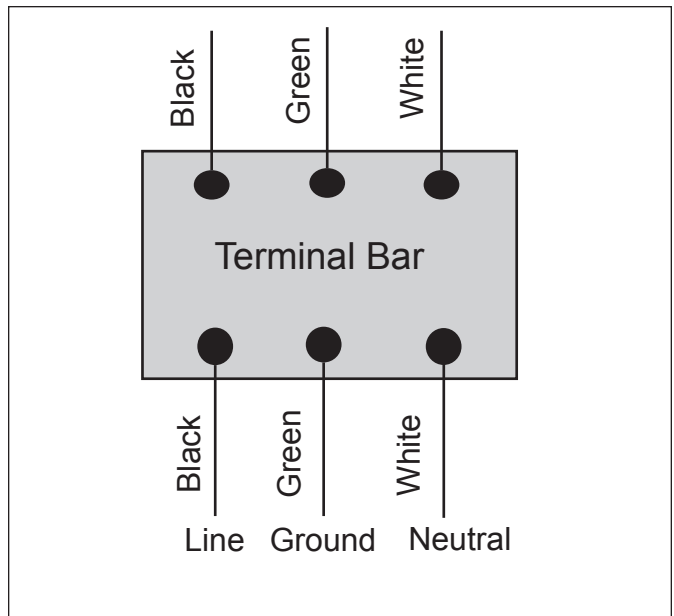
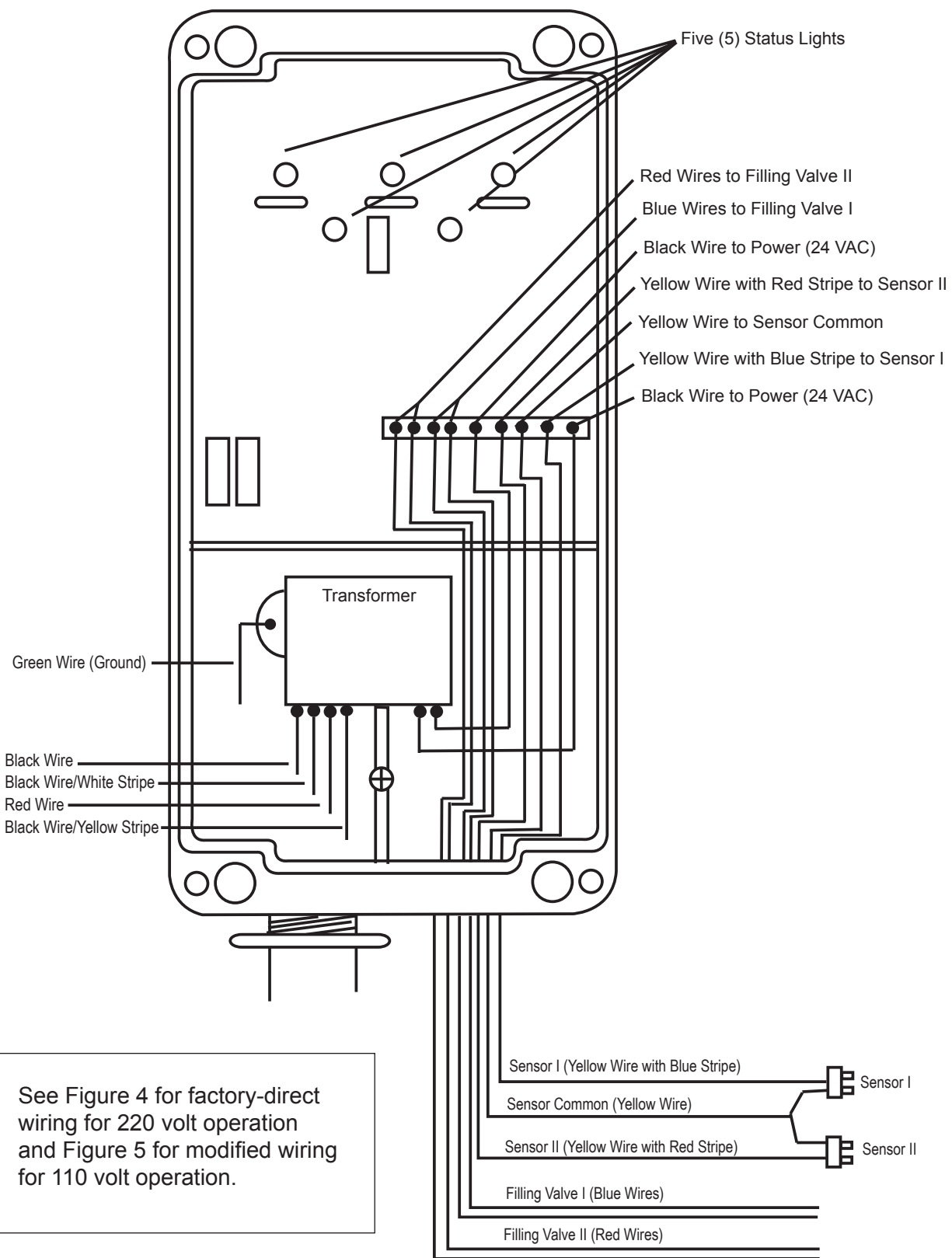


Figure 8. LX2 Factory Direct Wiring for 110 Volt Unit



See Figure 4 for factory-direct wiring for 220 volt operation and Figure 5 for modified wiring for 110 volt operation.

Figure 9. K-2300 Control Box

Section 3. Installation Instructions

3.1 Materials and Tools

Installation Materials Supplied for Levolor® Models K-1100, LX2, or LEV110CK/2G	Qty
Sensor with Wire	1
Solenoid Valve	1
Coupler	1
Control Box	1
Remote Sensor Housing	1
Hardware Kit	1
Grease-Filled Wire Nuts for Valve	2 per kit
Screws	4 per kit
Anchors	4 per kit
Owner's Manual - Warranty Information	1

Installation Materials Furnished for Levolor II, Model K-2300	Qty
Sensor with Wire	2
Solenoid Valve	2
Coupler	2
Control Box	1
Remote Sensor Housing	2
Hardware Kit	2
Grease-Filled Wire Nuts for Valve	2 per kit
Screws	4 per kit
Anchors	4 per kit
Owner's Manual - Warranty Information	1

Additional Materials Needed for Installation
Anti-siphon Valve*
2-Conductor, 18-Gauge Solid-Core Burial Cable
Wire Nut Connectors for the Sensor and Power Connections

*The anti-siphon valve is not necessary if the connection is made from the irrigation system.

Open the box and check to see that it contains the contents listed above. If it does not, contact your dealer or Zodiac technical support at (800) 822-7933.

3.2 Installing the Control Box

NOTE When installing a Levolor on a spa (less than 300 sq ft of surface area), turn the flow control down to reduce the flow rate of the valve.

Models K-1100, K-2300, and LEV110CK/2G

1. Mount the control box to the wall near the pump and filter. See Figure 1. **Do not install the control box within 10 ft (3 m) of the pool edges.**
2. Mount the control box at eye level. Leave sufficient clearance on all sides of the chassis backplate.
3. Check the source voltage. (All three (3) units are factory wired for 220 volt operation.) To modify the wiring for 110 volt operation, see *Section 3.3*.
4. For 220 volt operation, connect the black wire to line 1 and connect the black wire with the yellow stripe to line 2. See Figure 4.

Model LX2

1. Mount the control box in the static pipe where the sensor is installed. See Figure 2.
2. Check the source voltage. (There are separate units for 220 and 110 volt operation.)
 - a. For 220 volt operation, connect one (1) of the black wires to line 1 and the other black wire to line 2. See Figure 7.
 - b. For 110 volt operation, connect the white wire to the white neutral line. Then connect the black wire to the black power line. See Figure 8.

3.3 Changing Wiring for 110 Volt Operation

⚠ WARNING


Potentially high voltages in the Levolor® control box can create dangerous electrical hazards, possibly causing death, serious injury or property damage. Turn off power at the main circuit breaker providing power to the control box to disconnect the control box from the system. To properly and safely wire the system, be sure to carefully follow the applicable requirements of the National Electrical Code (NEC), NFPA 70 or the Canadian Electrical Code (CEC), CSA C22.1. All applicable local installation codes must also be adhered to.

Models K-1100, K-2300, and LEV110CK/2G

Refer to Figures 4 and 5 and do the following:

1. Cut the splice cap connecting the black/white and the red wires. See Figure 4.
2. Connect the red wire with the black wire and connect to the line side of power. See Figure 5.
3. Connect the black/white wire with the black/yellow wire and connect to the neutral side of power. See Figure 5.

3.4 Grounding

Connect the green ground wire marked  to the ground of your electric service or supply panel with a continuous copper conductor that has green insulation and is equivalent in size to the circuit conductors supplying this equipment, but no smaller than no. 12 AWG (3.3mm). Refer to your local codes for the acceptable grounding wire gauge.

3.5 Installing the Valve

NOTE Install the valve with the directional water flow arrow pointing in the appropriate direction. The directional water flow arrow is located on the inlet side of the valve.

A 24 VAC solenoid valve will provide water from a supply line to the pool or spa. You can install the supply line either before or after the filter at the equipment pad or on a dedicated line back to the pool.

The K-1100, LX2, and K-2300 use a 1" valve, and the LEV110CK/2G uses a 2" valve. In addition, Zodiac recommends an anti-siphon valve (to help prevent accidental draining of the pool), and an in-line strainer, which you can purchase from Zodiac.

1. Connect the 24 VAC water solenoid valve to the 18-gauge solid-core burial cable using the supplied grease-filled wire nuts.
2. Connect the other end according to the model being installed, using the following instructions:

Models K-1100, LX2, and LEV110CK/2G:

Connect the valve wires to the blue wires in the control box using wire nuts.

Model K-2300: Connect the wires from Valve I to the blue wires in the control box using wire nuts. Connect the wires from Valve II to the red wires in the control box using wire nuts.

3. Turn the flow control knob (+) on the top of the valve (See Figure 10) to set the flow rate to your specifications.

NOTE The rate can be set up to 30 GPM for the K-1100, LX2, and K-2300. The rate can be set up to 130 GPM for the LEV110CK/2G.

4. Put the manual ON/OFF lever, located just below the solenoid, in the OFF position, so it will only open with the electronic water Levolor. See Figure 11.

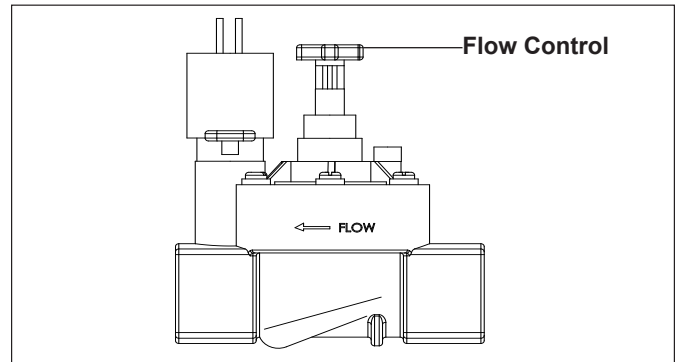


Figure 10. Valve Flow Controller

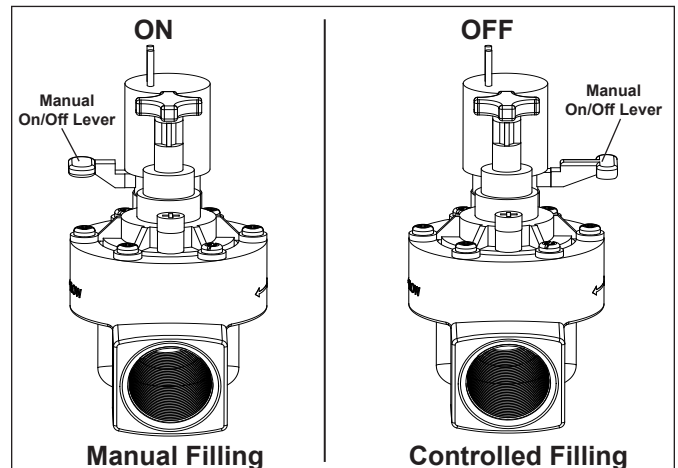


Figure 11. Manual Valve Lever

3.6 Installing the Sensor

NOTE If using a dual style sensor, cut off and discard the sensor you are not planning to use. See Figure 12.

⚠ CAUTION

Important Safety Instructions. Sensor wires must be continuous and not spliced. Solder all low voltage wire connections when possible and always use grease-filled wire nuts on low voltage connections.

1. Install the sensor in the appropriate location for the sensor style.
 - a. Mount the skim (half-moon) sensor horizontally to an existing skimmer. Mount with velcro or a suitable adhesive in the skimmer throat behind the whirl door arc. See Figures 13 and 15.
 - b. Mount the slip sensor vertically in a static pipe. Glue the sensor to the coupling. See Figures 14 and 16.

NOTE Screw the optional threaded sensor into a 1" threaded coupling.

NOTE When using the static pipe method, glue all 1" fittings only. Do not glue 2" fittings. Glue all fittings with proper ABS/PVC glue: 793 IPS brand for ABS/PVC.

2. Connect the sensor wires as follows:

Models K-1100, LX2, and LEV110CK/2G:

Connect the sensor cable to the two (2) orange wires in the control box using wire nuts. See Figures 3 and 6.

Model K-2300:

- a. Connect one (1) wire from Sensor I and one (1) wire from the Sensor II to the yellow Sensor Common wire using wire nuts. See Figure 9.
- b. Connect the other wire from Sensor I to the yellow wire with the blue stripe using wire nuts. See Figure 9.
- c. Connect the other wire from Sensor II to the yellow wire with the red stripe using wire nuts. See Figure 9.

NOTE For all models, the wire to the sensors must be continuous. There cannot be any wire splices.

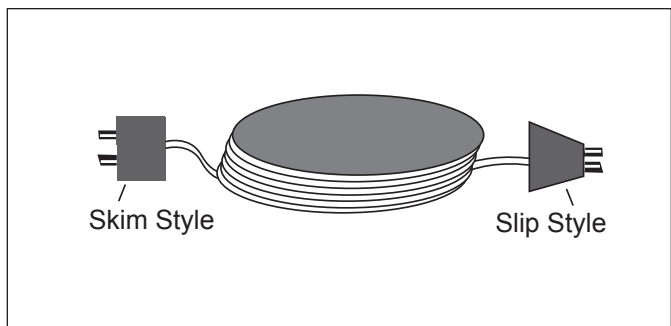


Figure 12. Dual Style Sensor

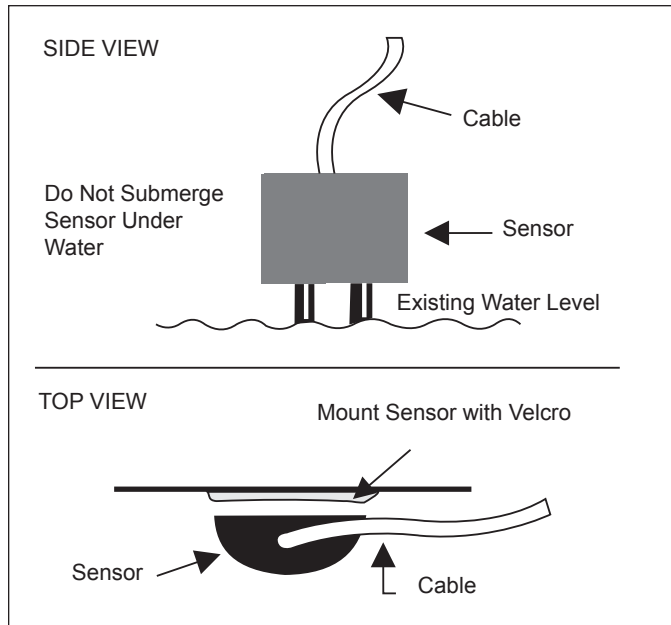


Figure 13. Skim (Half-moon) Sensor Retrofit Installation

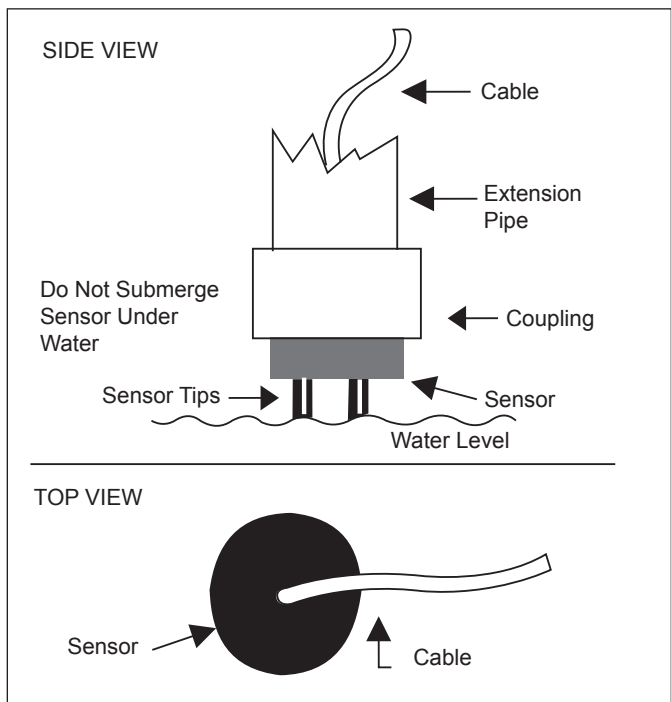


Figure 14. Slip Sensor Installation

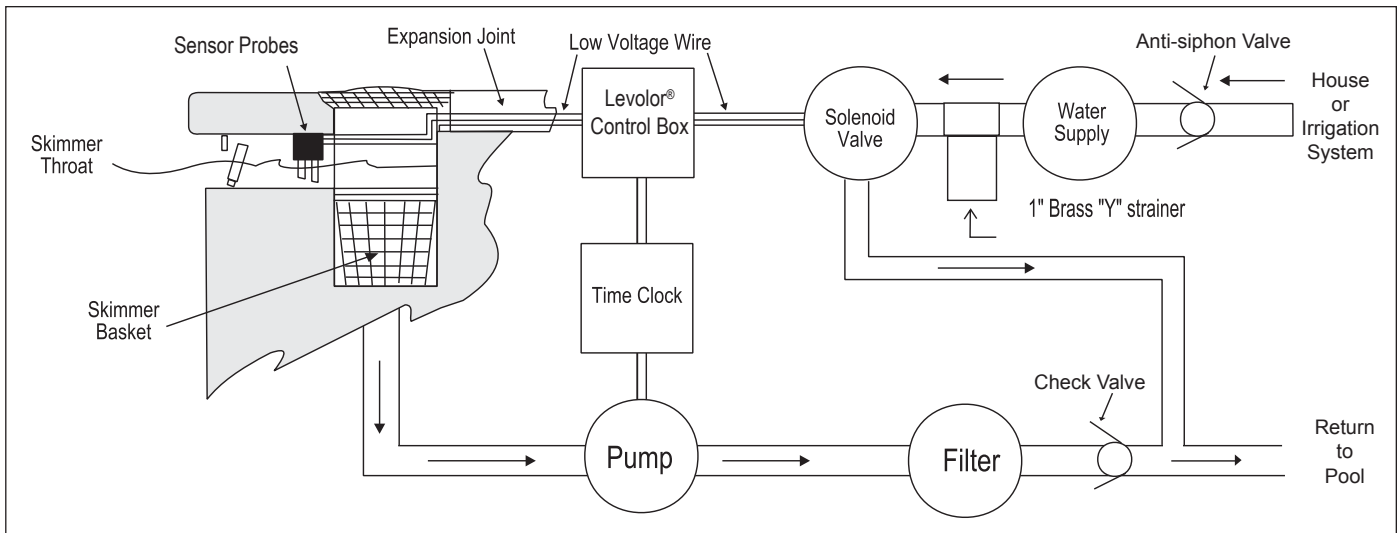


Figure 15. Skim (Half-moon) Sensor in Skimmer Installation in Existing Pool

3.7 Installation Diagrams

This section shows diagrams of skim (half-moon) style and slip style sensor installations and details. They are:

- Skim (Half-moon) Sensor in Skimmer Installation in Existing Pool
- Slip Sensor in Static Pipe Installation in New Pool
- Slip Sensor Detail
- Slip Sensor in Remote Housing Detail
- Deck Lid Installation Detail
- LX2 Static Pipe Installation in New Pool
- Slip Sensor in LX2 Installation Detail

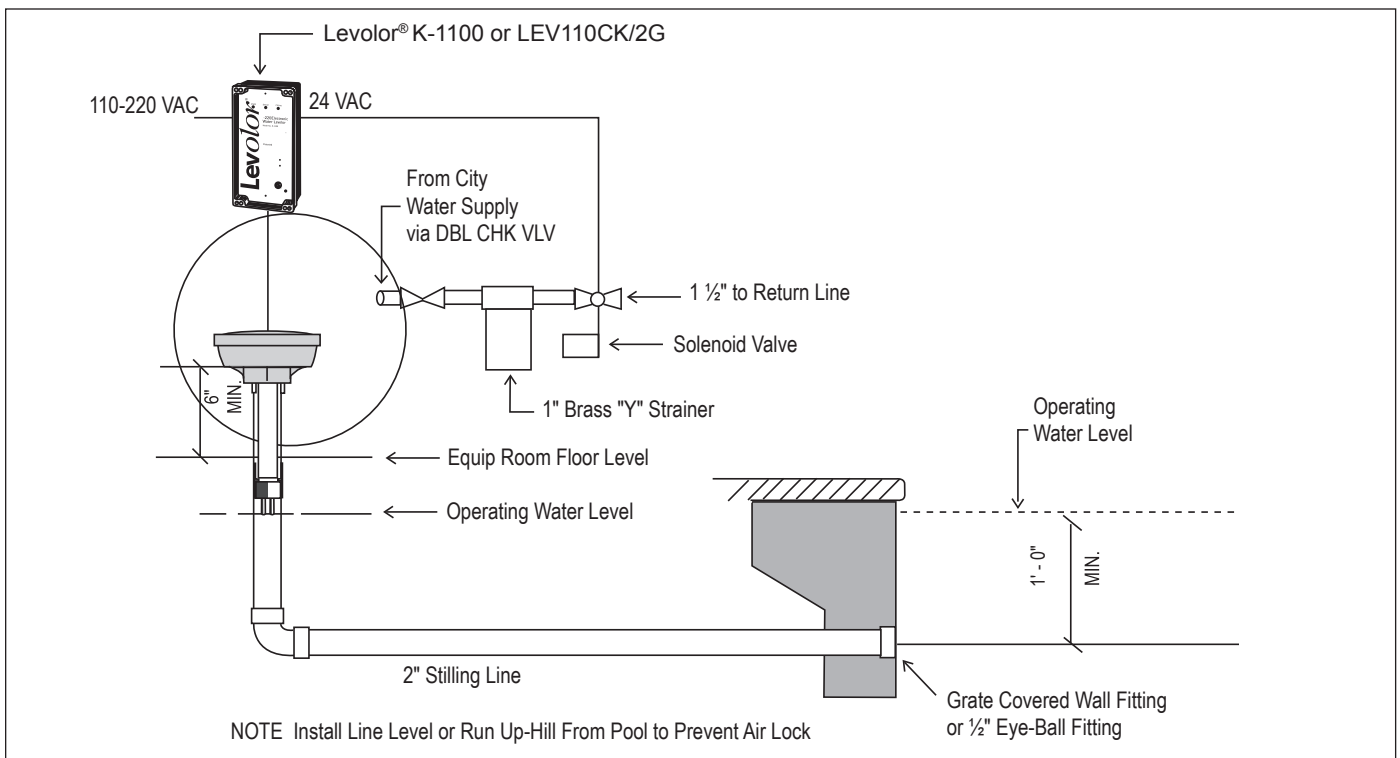


Figure 16. Slip Sensor in Static Pipe Installation in New Pool

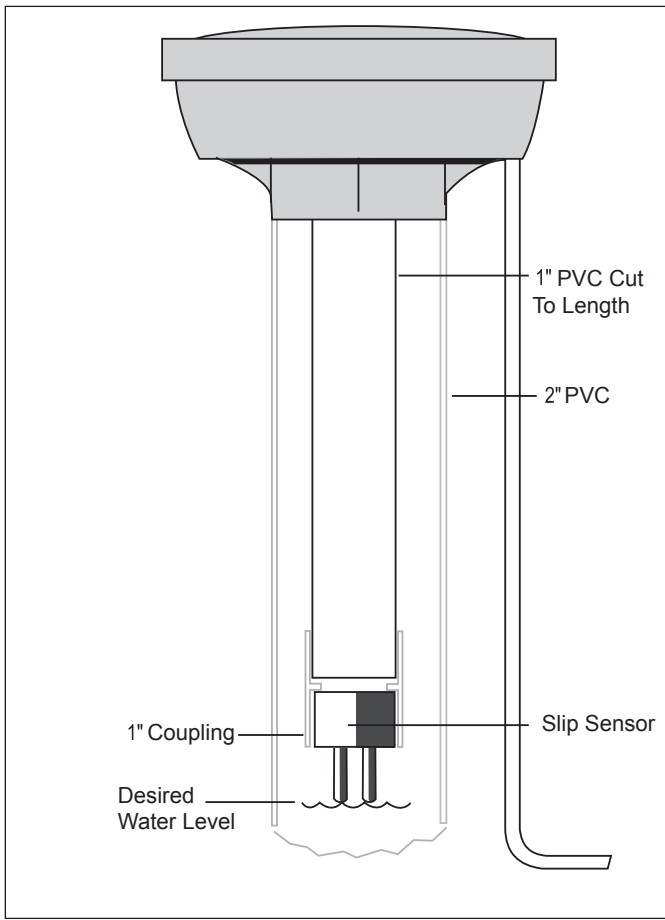


Figure 17. Slip Sensor Detail

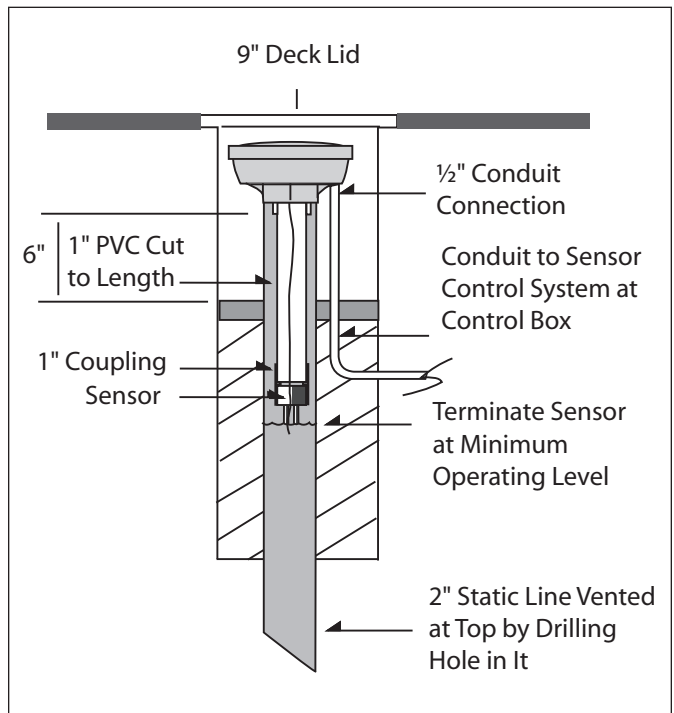


Figure 19. Deck Lid Installation Detail

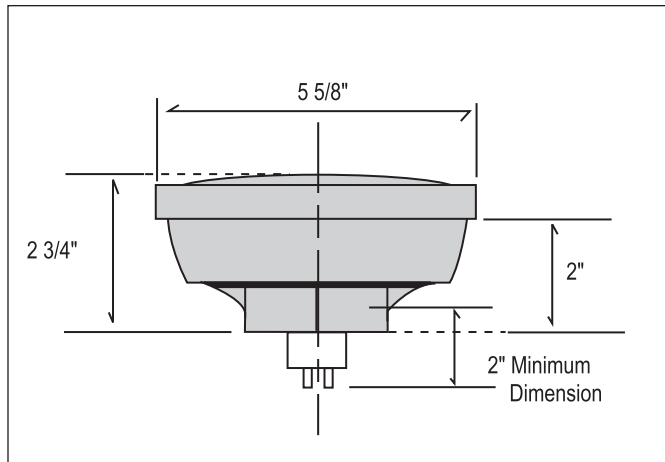


Figure 18. Slip Sensor in Remote Housing Detail

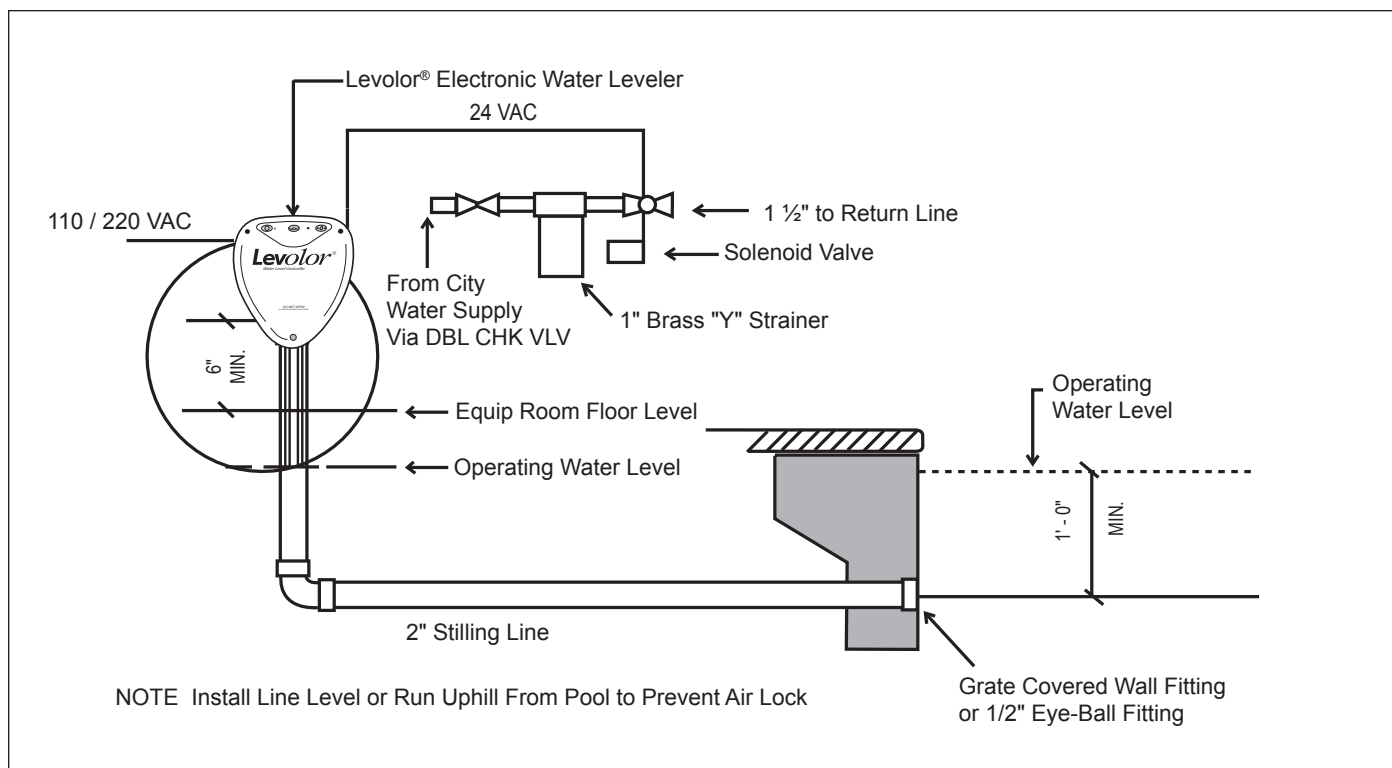


Figure 20. LX2 in Static Pipe Installation in New Pool

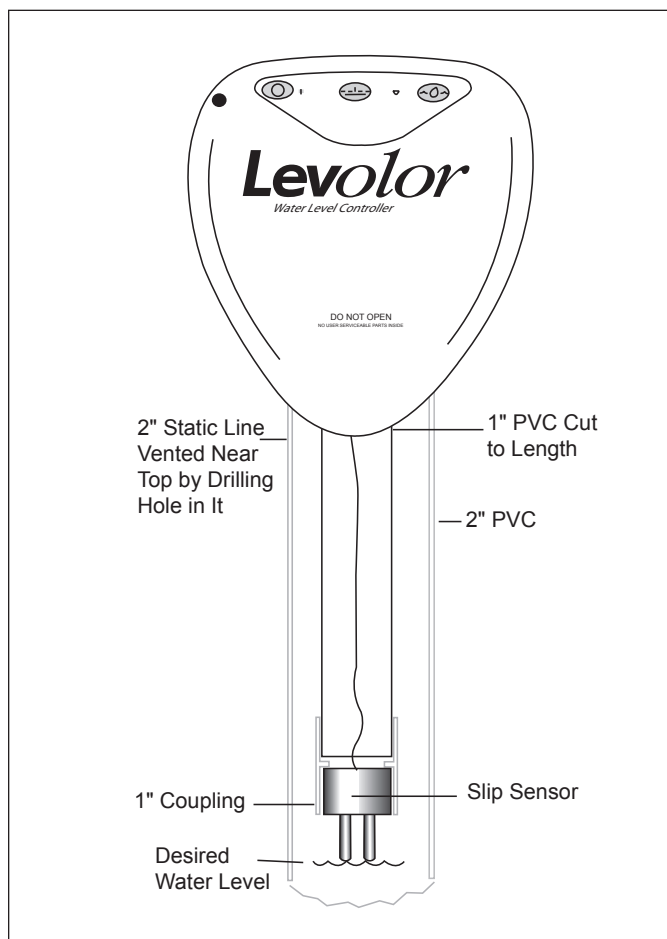


Figure 21. Slip Sensor in LX2 Installation Detail

Section 4. Operation

4.1 K-1100, LEV110CK/2G, and LX2

The controllers for the K-1100 and LEV110CK/2G (See Figure 22) and the LX2 (See Figure 23) each have three (3) lights. Refer to the figures and Table 1.

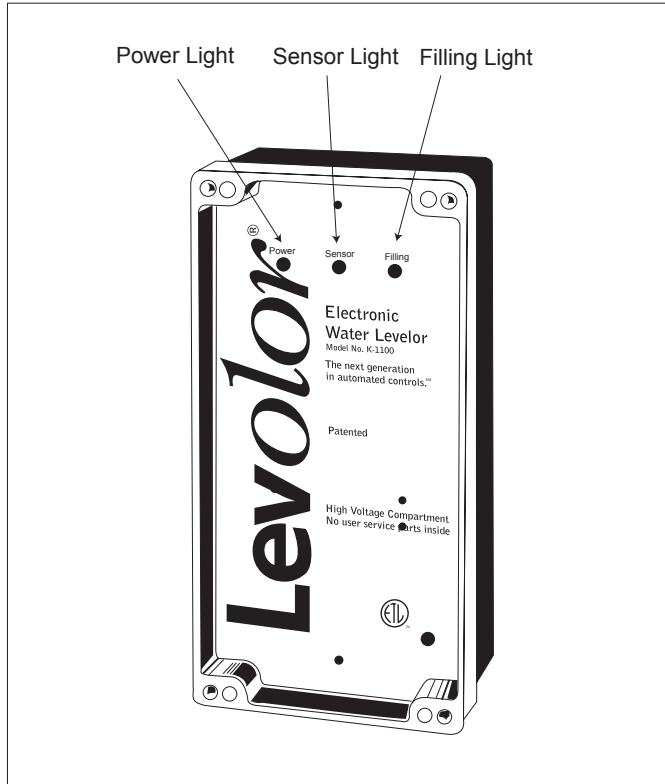


Figure 22. K-1100 and LEV110CK/2G Controller Lights

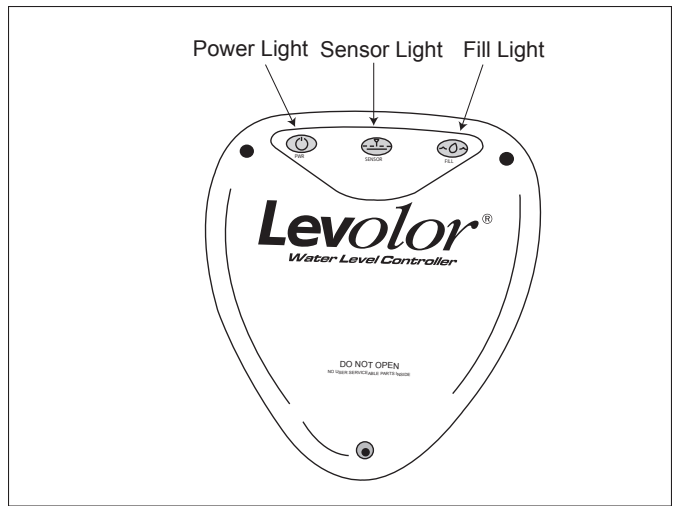


Figure 23. LX2 Controller Lights

The Power light turns green when the unit is powered on. The Sensor light turns yellow when water is not touching the sensor tips.

The Filling light turns green 20 seconds after the sensor light illuminates, indicating that the valve is operational and filling. The Filling light turns off when the pool is filled.

The Filling light turns red when the unit enters Fill Safety Lockout Mode. This happens if it takes longer to fill the pool than the time period allotted (20, 40, or 60 minutes). For more information, see *Section 4.3, Fill Safety Lockout Mode*.

NOTE The time period allotted for the LEV110CK/2G to fill is one (1), two (2), or three (3) hours. See Table 1.

LED	Function	Color	Operating Mode	Delay to Turn Function ON	Delay to Turn Function OFF
Power	Turn Power ON	Green	Power is ON	None	None
Sensor	Detect Low Water	Yellow	Water is Low	None	None
Filling for K-1100 and LX2	Filling Pool	Green	Fill Valve is ON	20 Seconds after Sensor Light Turns ON	20 Seconds after Sensor Light Turns OFF
	Safety Lockout	Red	Fill Valve is OFF	20, 40 or 60 Minutes	24 Hours
Filling for LEV110CK/2G	Filling Pool	Green	Fill Valve is ON	20 Seconds after Sensor Light Turns ON	20 Seconds after Sensor Light Turns OFF
	Safety Lockout	Red	Fill Valve is OFF	1, 2, or 3 Hours	24 Hours

Table 1. LED Indicators for K-1100, LX2, and LEV110CK/2G

4.2 K-2300

The controller for the K-2300 has five (5) lights. See Figure 24 and refer to Table 2. The Power light turns green when the unit is on. The Sensor I light turns yellow when water is not touching the Sensor I tips.

Twenty seconds later, the Filling I light turns green, indicating that Valve I is operational and filling. The light turns off when the pool is filled, and turns red when Valve I goes into Safety Lockout Mode.



Figure 24. K-2300 Controller Lights

The Sensor II light turns yellow when water is not touching the Sensor II tips. Twenty seconds later, the Filling II light turns green, indicating that Valve II is operational and filling. The light turns off when the spa is filled, and it turns red when Valve II goes into Safety Lockout Mode.

Note that the K-2300 has two (2) Safety Lockout features, one (1) for Valve I and the other for Valve II. They operate independently. If one valve goes into Safety Lockout Mode, the other valve can continue to operate normally.

4.3 Fill Safety Lockout Mode

The Fill Safety Lock-out Mode shuts the Filling I or Filling II valve down for 24 hours or until the unit is powered down and back up to reset the filling time. When the unit goes into lock-out, it indicates a possible problem with the control, sensor, or water fill line system. The 24-hour window provides time to find and fix the problem. If the problem has not been fixed after 24 hours, the control will lock out for another 24 hours.

All four (4) models described in this manual are equipped with a lock-out sequence. This means that if the Levolor® sensor has not been touched by water within the pre-set Fill time period, the controller turns the valve off for 24 hours and changes the Filling I or Filling II light from green to red.

The pre-set factory Fill time for the K-1100, LX2, and K-2300 is 20 minutes, but it can be modified to 40 or 60 minutes. The pre-set factory Fill time for the LEV110CK/2G is one (1) hour, but it can be modified to two (2) or three (3) hours. See Table 1 for pre-set and modified Fill times. See Section 4.4 for instructions on modifying pre-set Fill times.

LED	Function	Color	Operating Mode	Delay to Turn Function ON	Delay to Turn Function OFF
Power	Turn Power ON	Green	Power is ON	None	None
Sensor I	Detect Low Water in Pool	Yellow	Water in Pool is Low	None	None
Filling I	Filling Pool	Green	Fill I Valve is ON	20 Seconds after Sensor Light Turns ON	20 Seconds after Sensor Light Turns OFF
	Safety Lockout	Red	Fill I Valve is OFF	20, 40 or 60 Minutes	24 Hours
Sensor II	Detect Low Water in Spa	Yellow	Water in Spa is Low	None	None
Filling II	Filling Spa	Green	Fill II Valve is ON	20 Seconds after Sensor Light Turns ON	20 Seconds after Sensor Light Turns OFF
	Safety Lockout	Red	Fill II Valve is OFF	20, 40 or 60 Minutes	24 Hours

Table 2. LED Indicators for K-2300

4.4 Fill Time before Lockout

Model K-1100 and LX2:

For the K-1100 and LX2 the factory-set Fill time before Safety Lockout occurs is 20 minutes. The Fill time can be modified by cutting the jumpers as follows:

Cut Jumper	Fill Time Period
Either A or B	40 minute fill before lockout
Both A and B	60 minute fill before lockout

NOTE To disable the lockout feature, cut jumper S-1.

See Figure 26 for the location of the LX2 jumpers and Figure 27 for the location of the K-1100 jumpers.

Model LEV110CK/2G:

The LEV110CK/2G factory-set Fill time before Lockout is one (1) hour. To modify, cut jumpers as follows:

Cut Jumper	Fill Time Period
Either A or B	2 hours fill before lockout
Both A and B	3 hours fill before lockout

NOTE To disable the lockout feature, cut jumper S-1.

See Figure 27 for location of LEV110CK/2G jumpers.

Model K-2300: The K-2300 factory-set Fill time before Lockout is 20 minutes for both Filling I and Filling II. To modify fill times, cut jumpers as follows:

Cut Jumper	Fill Time Period
Either A or B	40 minute fill before Filling I lockout
Both A and B	60 minute fill before Filling I lockout
Either C or D	40 minute fill before Filling II lockout
Both C and D	60 minute fill before Filling II lockout

NOTE To disable Filling I lockout, cut jumper S-1. To disable Filling II lockout, cut jumper S-2.

See Figure 28 for the location of the K-2300 jumpers.

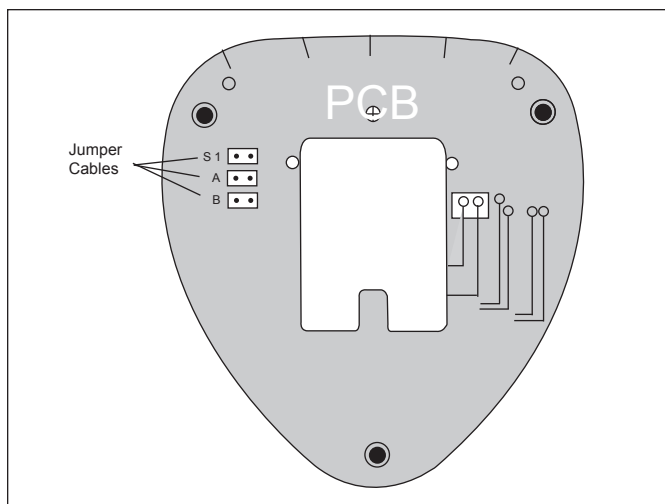


Figure 26. LX2 Jumper Cables

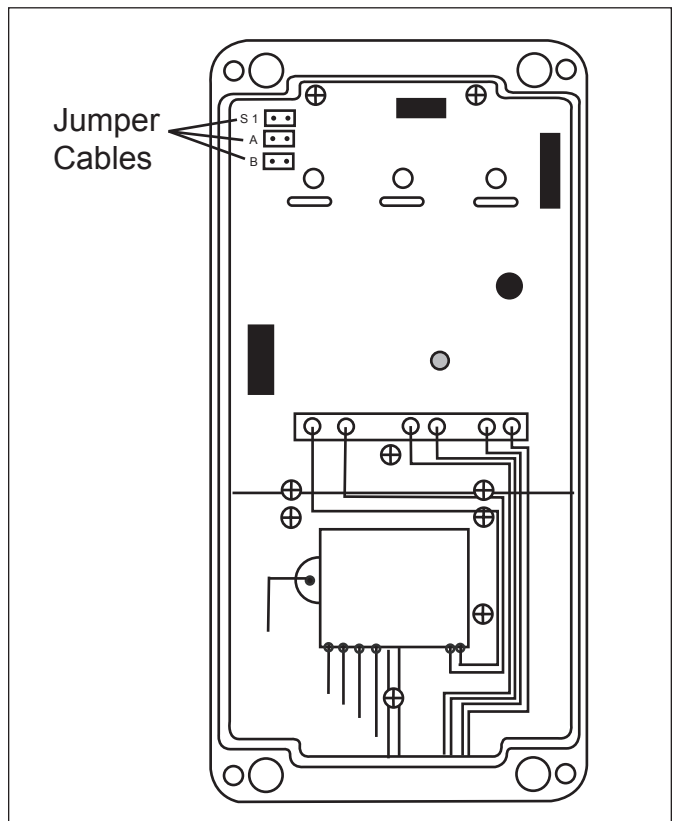


Figure 27. K-1100 and LEV110CK/2G Jumper Cables

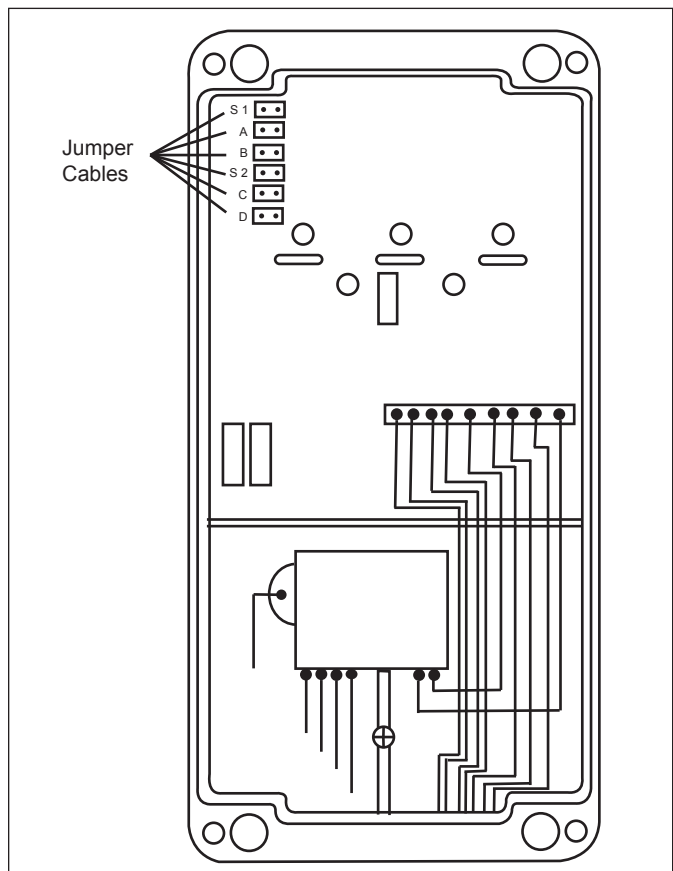


Figure 28. K-2300 Jumper Cables

Section 5. Troubleshooting

5.1 Manual Valve Override

There is a manual ON/OFF lever located just below the solenoid. If you are having a problem with the system and want to override the electronic water Levolor®, you can manually open the valve by putting the lever in the ON position. See Figure 11.

During normal operation, the lever must be in the OFF position.

5.2 Initial Observations at Job Site

When called to a job site, make these initial observations.

1. Proper wire usage between the controller and the valve. (Burial-style polypropylene-jacketed solid-core wire, at least 18-gauge.) (Same wire as the sensor wire.)
2. Proper wire nuts at the valve connection. (Grease-filled wire nuts or gel caps. Conventional wire nuts filled with silicone will not work since some silicones have acids that degrade copper wires.)
3. Sensor wire must be continuous and not spliced. (No splices between the tips and the controller.)
4. Proper use of appropriate sensor. (Slip style for static pipes or skim (half-moon) style for skimmer mounts where there is no water in transit from fountains, etc.)
5. Proper power input voltage to the box.

5.3 Test Operation of Control Unit

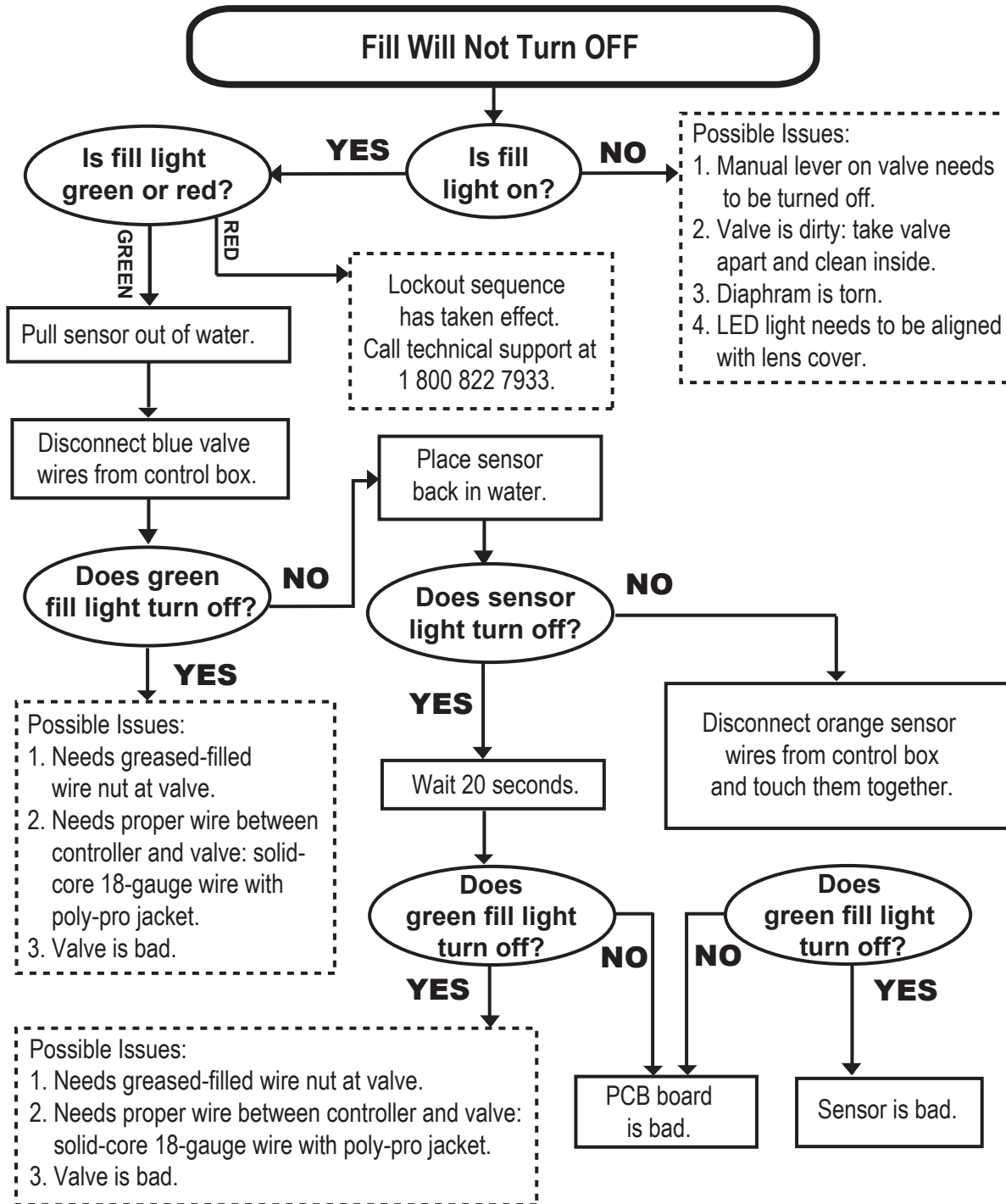
1. Shut power off to the control box.
2. Disconnect the sensor from the sensor wires:
 - a. Models K-1100, LX2, and LEV110CK/2G: Disconnect the sensor from the orange wires in the control box.
 - b. Model K-2300: Disconnect Sensor I from the yellow wire with the blue stripe and the yellow common wire in the control box. Disconnect Sensor II from the yellow wire with the red stripe and the yellow common wire in the control box.
3. Disconnect the valve from the valve wires, making sure they do not touch each other or the power ground.
 - a. Models K-1100, LX2, and LEV110CK/2G: Disconnect the valve from the blue wires in the control box.

- b. Model K-2300: Disconnect Valve I from the blue wires in the control box and disconnect Valve II from the red wires in the control box.
4. Restore power to the control box and observe the operation. The control box is working if steps 5 - 9 occur.
 5. The Power light turns green.
 6. The Sensor light(s) turn yellow.
 7. Send voltage to the valve(s).
 - a. Models K-1100, LX2, and LEV110CK/2G: Twenty seconds after the Sensor light turns yellow, the Filling light turns green, sending 24VAC to the valve on the blue wires.
 - b. Model K-2300: Twenty seconds after the Sensor I light turns yellow, the Filling I light turns green, sending 24 VAC to Valve I on the blue wires. Twenty seconds after the Sensor II light turns yellow, the Filling II light turns green, sending 24 VAC to Valve II on the red wires.
 - c. Use a volt meter to confirm 24 VAC at wires in the control box.
 8. Connect sensor wires:
 - a. Models K-1100, LX2, and LEV110CK/2G: Connect the orange wires in the control box together and the yellow Sensor light turns off immediately. Twenty seconds later the green Filling light will turn off.
 - b. Model K-2300: Connect the yellow wire with the blue stripe for Sensor I and the yellow common wire together in the control box, and the yellow Sensor I light turns off immediately. Twenty seconds later, the green Filling I light turns off. Connect the yellow wire with the red stripe for Sensor II and the yellow common wire in the control box. The Sensor II light turns off immediately. Twenty seconds later the Filling II light turns off.
 9. After the green Filling light(s) turn off, use an AC voltmeter to confirm the following:
 - a. Models K-1100, LX2, and LEV110CK/2G: 0 voltage at the blue wires in the control box.
 - b. Model K-2300: 0 voltage at the blue wires for Valve I and the red wires for Valve II.

Use the troubleshooting flow charts on the following pages to find and fix specific problems.

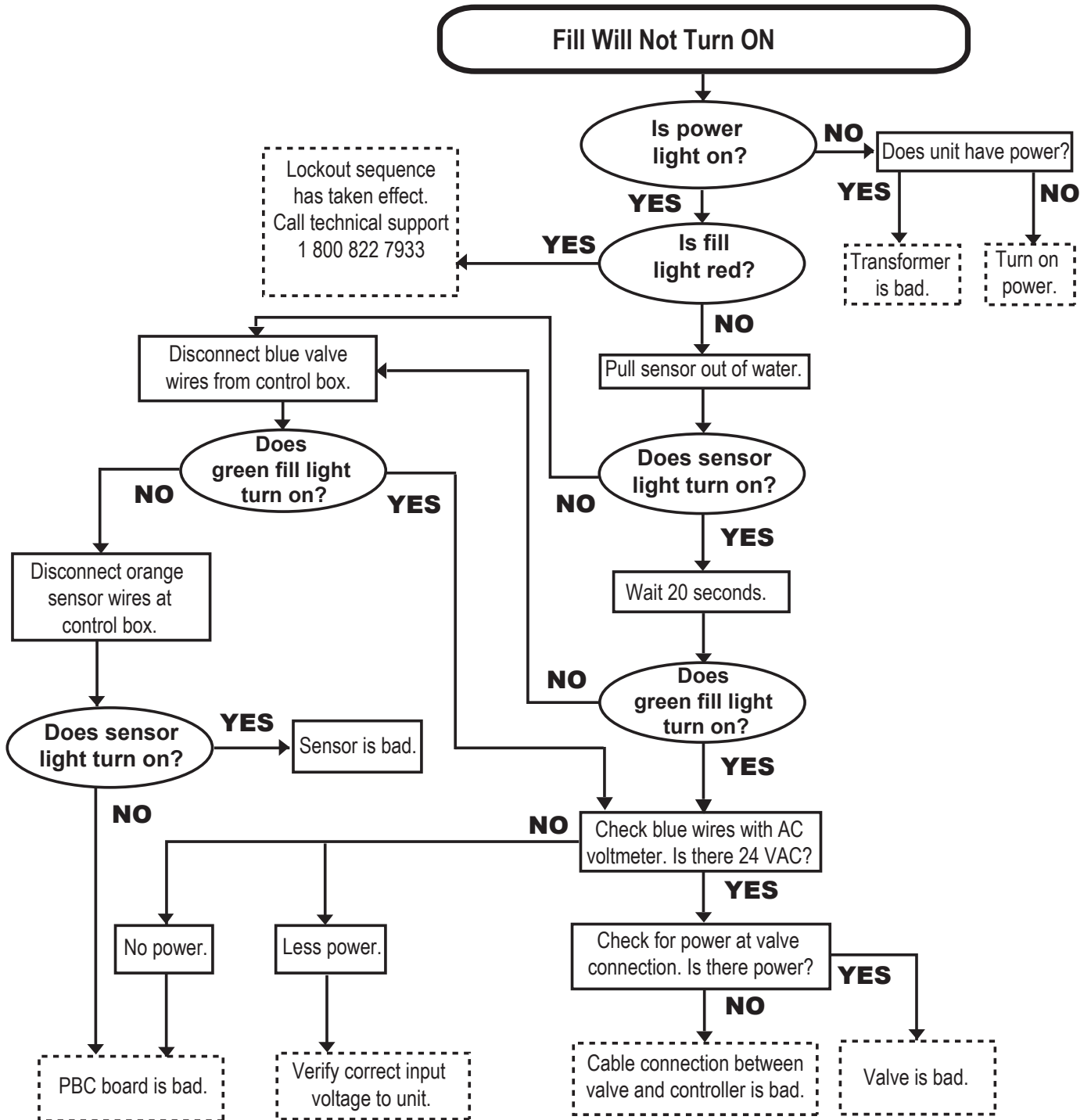
5.4 Fill Will Not Turn OFF

This is a troubleshooting flow chart for the K-1100, LX2, and LEV110CK/2G. Use it when the Fill function will not turn off.



5.5 Fill Will Not Turn ON

This is a troubleshooting flow chart for models K-1100, LX2, and LEV110CK/2G. Use it when the Fill function will not turn on.



Section 6. Replacement Parts

6.1 Ordering Information

To order or purchase parts for the Levolor® products, contact your nearest Jandy dealer or distributor. See the Jandy website at www.jandy.com for the nearest service center. For further assistance, contact Customer Service at Zodiac Pool Systems, Inc. at (800)-822-7933.

NOTE To order the correct part, you need to supply the correct model number and part number.

Key	Description	Model No.	Part No.
PCBs and Controllers			
1	Levolor PCB with time-out system	K-1100	LEVBRD (timeout)
2	Controller Only, Lev-220V	K-1100	LEV220Control
3	PCB w/ Transformer, Lev-220V	K-1100	LEV220BDw/TRANS
4	Controller Only, LX2, 110V and 220V	LX2	LX2Control
5	PCB Only, LX2, 110V and 220V	LX2	LX2Board
6	Controller Only, K-2300 220V	K-2300	K2300220Control
7	PCB w/Transformer, K-2300 220V	K-2300	K2300220BDT
Slip Style Sensor (Static Pipe Install)			
8	Slip Style 2 Contact Sensor w/20 ft	K-1100, K-2300	S2040
8*	Slip Style 2 Contact Sensor w/50 ft	K-1100, K-2300	S2040A
8	Slip Style 2 Contact Sensor w/100 ft	K-1100, K-2300	S2040C
8	Slip Style 2 Contact Sensor w/150 ft	K-1100, K-2300	S2040E
8	Slip Style 2 Contact Sensor w/200 ft	K-1100, K-2300	S2040G
8	Slip Style 2 Contact Sensor w/250 ft	K-1100, K-2300	S2040I
8	Slip Style 2 Contact Sensor w/300 ft	K-1100, K-2300	S2040K
8	Slip Style 2 Contact Sensor w/350 ft	K-1100, K-2300	S2040M
Threaded Style (Static Pipe Install)			
9	Threaded Style 2 Contact w/50 ft	K-1100, K-2300	S2042A
9	Threaded Style 2 Contact w/100 ft	K-1100, K-2300	S2042C
9	Threaded Style 2 Contact w/200 ft	K-1100, K-2300	S2042G
9	Threaded Style 2 Contact w/50 ft - 30" Sensor	K-1100, K-2300	S2042A30
Skim (Half Moon) Style (Skimmer Install)			
10	Half Moon Style 2 Contact w/ no wire	K-1100, LX2, K-2300	S2044
10	Half Moon Style 2 Contact w/50 ft	K-1100, LX2, K-2300	S2044A
10	Half Moon Style 2 Contact w/100 ft	K-1100, LX2, K-2300	S2044C
10	Half Moon Style 2 Contact w/100 ft - 4" Sensor	K-1100, LX2, K-2300	S2044C4
10	Half Moon Style 2 Contact w/150 ft	K-1100, LX2, K-2300	S2044E
10	Half Moon Style 2 Contact w/200 ft	K-1100, LX2, K-2300	S2044G
10	Half Moon Style 2 Contact w/250 ft	K-1100, LX2, K-2300	S2044I
10	Half Moon Style 2 Contact w/300 ft	K-1100, LX2, K-2300	S2044K
10	Half Moon Style 2 Contact w/350 ft	K-1100, LX2, K-2300	S2044M

Key	Description	Model No.	Order Part No.
Dual Style (Skimmer or Static Pipe Install)			
11	Dual Style Sensor w/50 ft	K-1100, LX2, K-2300	S2046A
11	Dual Style Sensor w/100 ft	K-1100, LX2, K-2300	S2046C
11	Dual Style Sensor w/150 ft	K-1100, LX2, K-2300	S2046E
11	Dual Style Sensor w/200 ft	K-1100, LX2, K-2300	S2046G
11	Dual Style Sensor w/250 ft	K-1100, LX2, K-2300	S2046I
11	Dual Style Sensor w/300 ft	K-1100, LX2, K-2300	S2046K
11	Dual Style Sensor w/350 ft	K-1100, LX2, K-2300	S2046M
11	Dual Style Sensor w/400 ft	K-1100, LX2, K-2300	S2046O
11	Dual Style Sensor w/450 ft	K-1100, LX2, K-2300	S2046Q
11	Dual Style Sensor w/500 ft	K-1100, LX2, K-2300	S2046S
Miscellaneous			
12	Remote Sensor Cover and Lower Housing	K-1100, LX2, K-2300	70010110
13	1" Plastic Valve, 24 V Solenoid w/Flow Control	K-1100, LX2, K-2300	SOL100
14	1" Y Strainer	K-1100, LX2, K-2300	BRY

Zodiac Pool Systems LLC

2882 Whiptail Loop # 100, Carlsbad, CA 92010

Zodiac Pool Systems Canada, Inc.

2-3365 Mainway, Burlington, ON L7M 1A6 Canada

USA | Jandy.com | 1.800.822.7933

Canada | Jandy.ca | 1.888.647.4004

©2019 Zodiac Pool Systems, Inc. ZODIAC® is a registered trademark of Zodiac International, S.A.S.U., used under license. All trademarks referenced herein are the property of their respective owners.

H0303600 Rev E



ETL LISTED
CONFORMS TO
UL STD 1563
CERTIFIED TO
CAN/CSA C22.2 NO. 218.1



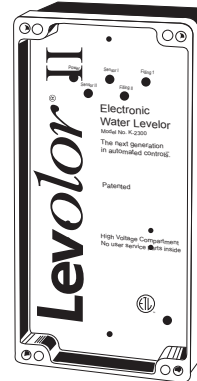
Jandy Capteur de niveau Levolor® Modèles K-1100, LX2, K-2300, et LEV110CK/2G



K-1100



LX2



K-2300



LEV110CK/2G



AVERTISSEMENT

POUR VOTRE SÉCURITÉ - Ce produit doit être installé et entretenu par un entrepreneur disposant d'un permis et qui est qualifié en équipement de piscine, délivré par la juridiction dans laquelle le produit est installé lorsque de telles exigences étatiques ou locales existent. L'agent d'entretien doit être un professionnel disposant de suffisamment d'expérience dans l'installation et l'entretien de l'équipement de piscine, afin de s'assurer que toutes les directives du présent manuel sont scrupuleusement respectées. Avant d'installer ce produit, lire et suivre tous les avertissements et toutes les directives qui accompagnent ce produit. Dans le cas contraire, des dommages matériels ou des blessures, possiblement mortelles, peuvent survenir. Une mauvaise installation ou utilisation annule la garantie. Une mauvaise installation ou utilisation peut engendrer un danger électrique pouvant entraîner des dommages matériels ou des blessures graves, voire mortelles.



À L'ATTENTION DE L'INSTALLATEUR - Ce manuel contient des informations importantes sur l'installation, le fonctionnement et l'utilisation sécuritaire de ce produit. Ces informations doivent être transmises au propriétaire ou à l'utilisateur de cet équipement.

Table des matières

Section 1. Informations relatives à la sécurité.....	28
Section 2. Description du système	29
2.1 Spécifications électriques	29
2.2 Schémas de câblage	30
Section 3. Directives d'installation	34
3.1 Matériaux et outils.....	34
3.2 Installation du boîtier de commande.....	34
3.3 Changement de câblage pour un fonctionnement en 110 volts	35
3.4 Mise à terre.....	35
3.5 Installation de l'électrovanne	35
3.6 Installation de la sonde	36
3.7 Schémas d'installation	37
Section 4. Fonctionnement.....	40
4.1 Modèles K-1100, LEV110CK/2G et LX2.....	40
4.2 K-2300	41
4.3 Mode de verrouillage du remplissage.....	41
4.4 Temps de remplissage avant verrouillage .	42
Section 5. Guide de dépannage	43
5.1 Commande manuelle des électrovannes	43
5.2 Observations initiales sur le chantier.....	43
5.3 Essai de fonctionnement de l'unité de commande	43
5.4 Le remplissage n'arrête pas	44
5.5 Le remplissage ne démarre pas	45
Section 6. Pièces de rechange	46
6.1 Informations de commande	46

Section 1. Informations relatives à la sécurité

CONSIGNES DE SÉCURITÉ IMPORTANTES LIÉES À UN RISQUE DE DOMMAGES MATÉRIELS OU DE BLESSURES CORPORELLES, LISEZ ET SUIVEZ TOUTES LES CONSIGNES

Lors de l'installation et de l'utilisation de cet équipement, les consignes de sécurité élémentaires doivent toujours être respectées, notamment :

AVERTISSEMENT

POUR VOTRE SÉCURITÉ. Ce produit doit être installé et entretenu par un technicien d'entretien professionnel et qualifié en installation et entretien de piscine/spa. Une mauvaise installation ou utilisation pourrait entraîner des dommages matériels ou des blessures graves, voire mortelles. Une mauvaise installation ou utilisation annule la garantie.

AVERTISSEMENT

Avant d'installer ce produit, lire et suivre tous les avertissements et toutes les consignes qui accompagnent ce produit. Omettre de suivre les mises en garde et les consignes pourrait entraîner des blessures corporelles graves, la mort ou des dommages matériels.

AVERTISSEMENT

Pour réduire les risques de blessures, ne pas permettre aux enfants d'utiliser ce produit sans surveillance étroite en tout temps.

AVERTISSEMENT



Risque de choc électrique - Installez le boîtier de commande à au moins 152,4 cm (5 pi) de la paroi intérieure de la piscine et/ou du spa en utilisant une tuyauterie non métallique. Les installations canadiennes doivent être à au moins 3 mètres de l'eau.

Les enfants ne doivent pas utiliser les spas ou les cuves thermales sans la surveillance d'un adulte.

N'utilisez pas de spas ou de cuves thermales à moins que tous les protecteurs d'aspiration soient installés pour empêcher le corps et les cheveux de rester piégés.

Les personnes qui utilisent des médicaments et/ou qui ont des antécédents médicaux néfastes devraient consulter un médecin avant d'utiliser un spa.

AVERTISSEMENT

Pour réduire le risque de choc électrique, branchez le fil de terre vert marqué  à la terre de votre panneau de distribution ou d'alimentation électrique avec un conducteur en cuivre continu à isolation verte de taille équivalente aux conducteurs du circuit alimentant cet équipement, mais pas inférieur au numéro 12 AWG (3,3 mm). Ce fil de terre marqué  is provided within the control box.



À l'attention de l'installateur : Installer pour assurer le drainage du compartiment pour les composants électriques.



À L'ATTENTION DE L'INSTALLATEUR : Ce manuel contient d'importantes informations sur l'installation, le fonctionnement et l'utilisation sécuritaires de ce produit. Ces informations doivent être transmises au propriétaire ou à l'utilisateur de cet équipement.

CONSERVER CES DIRECTIVES

Section 2. Description du système

Les modèles K-1100, LEV110CK / 2G et LX2 de Levolor® sont des dispositifs contrôlés par ordinateur qui détectent un manque d'eau et remplacent automatiquement l'eau à un niveau préréglé. Ils peuvent être utilisés dans toutes les piscines et les spas.

Le LEV110CK/2G est conçu pour une utilisation dans les grandes applications commerciales. Le Levolor II, modèle K-2300, est un appareil à double remplissage qui permet de maintenir le niveau d'eau dans 2 environnements distincts, tels qu'une combinaison piscine/spa ou une autre application à double équipement. Il peut être utilisé dans toutes les situations où un niveau de liquide constant est souhaité.

L'ensemble Levolor contient un capteur, un boîtier de commande et une électrovanne. L'ensemble Levolor II contient 2 capteurs, un boîtier de commande et 2 électrovannes. Pour plus de détails, voir *Section 3.1, Matériels et outils*.

Sonde

Il existe 3 styles de capteurs :

1. Le modèle rond - installé dans un tuyau statique dans la nouvelle piscine.
2. Le modèle écumoire - installé dans l'écumoire d'une piscine existante (également appelée style demi-lune).
3. Modèle double- rond à une extrémité et demi-lune à l'autre.

REMARQUE Une sonde fileté optionnel peut être installé dans un tuyau statique dans une nouvelle piscine.

Selon le modèle, la sonde est livrée avec 50 à 500 pieds de fil au sommet et 2 contacts en acier inoxydable en bas. Vous pouvez couper le fil de la sonde que vous n'utilisez pas.

Boîtier de commande

Les boîtiers de commande pour K-1100, LX2 et LEV110CK/2G ont trois 3 affichages LED: Power, Sensor et Filling Le boîtier de commande du K-2300 dispose de 5 affichages LED : Power, Sensor I, Filling I, Sensor II, et Filling II. Pour plus de détails, voir *section 4 Fonctionnement*.

Les modèles K-1100, K-2300 et LEV110CK/2G sont câblés en usine pour un fonctionnement en 220 volts et nécessitent un recâblage pour un fonctionnement en 110 volts. Le LX2 est disponible en modèle de 220 volts ou en 110 volts.

Electrovanne

Les modèles K-1100, LX2 et LEV110CK/2G nécessitent une vanne et le K-2300 nécessite deux vannes.

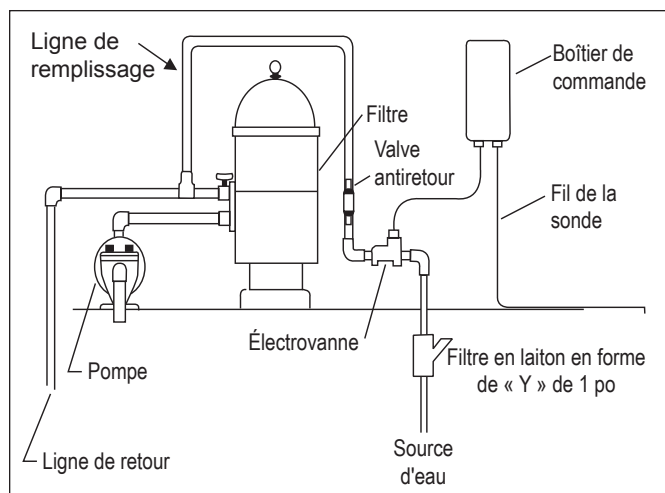


Figure 1. Installation K-1100 or LEV110CK/2G

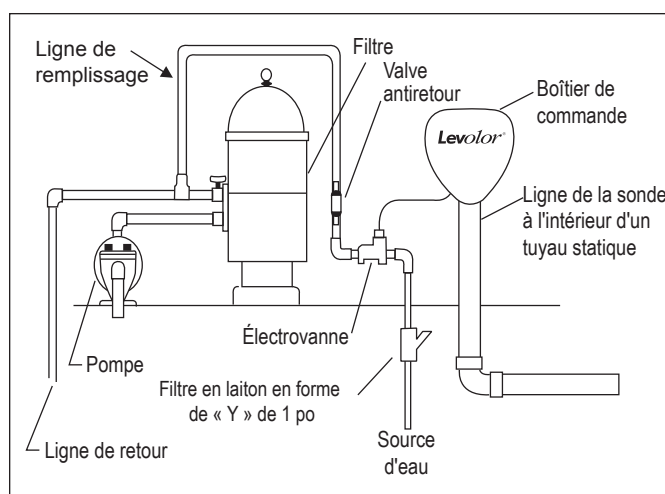


Figure 2. Installation LX2

Les modèles K-1100, LX2 et K-2300 utilisent une électrovanne de 1 po (numéro de pièce SOL100). Il a une pression nominale qui ne peut pas dépasser 125 psi.

Le LEV110CK/2G utilise une électrovanne de 2 po (numéro de pièce SOL200). Il a une pression nominale qui ne peut pas dépasser 150 psi.

2.1 Spécifications électriques

Modèles K-1100, LX2, K-2300 et LEV110CK/2G

Entrée : 110 VCA, 50/60 HZ, 0,5 AMPS
220 VCA, 50/60 HZ, 0,5 AMPS

Sortie : 24 VCA @ 1 AMP

⚠ MISE EN GARDE

Les modèles K-1100, K-2300 et LEV110CK/2G sont câblés en usine pour un service de 220 VCA. Si le service électrique disponible est de 110 VCA, le câblage de l'alimentation doit être changé pour fonctionner sur 110 VCA comme indiqué aux figures 4 et 5.

2.2 Schémas de câblage

Cette section contient les schémas de câblage des K-1100, K-2300 et LEV110CK/2G, ainsi que des vues détaillées du câblage direct en usine pour 220 VCA et du câblage modifié pour 110 VCA. La section contient également un schéma de câblage pour le LX2, ainsi que des vues détaillées du câblage direct en usine pour les unités 220 VCA et 110 VCA.

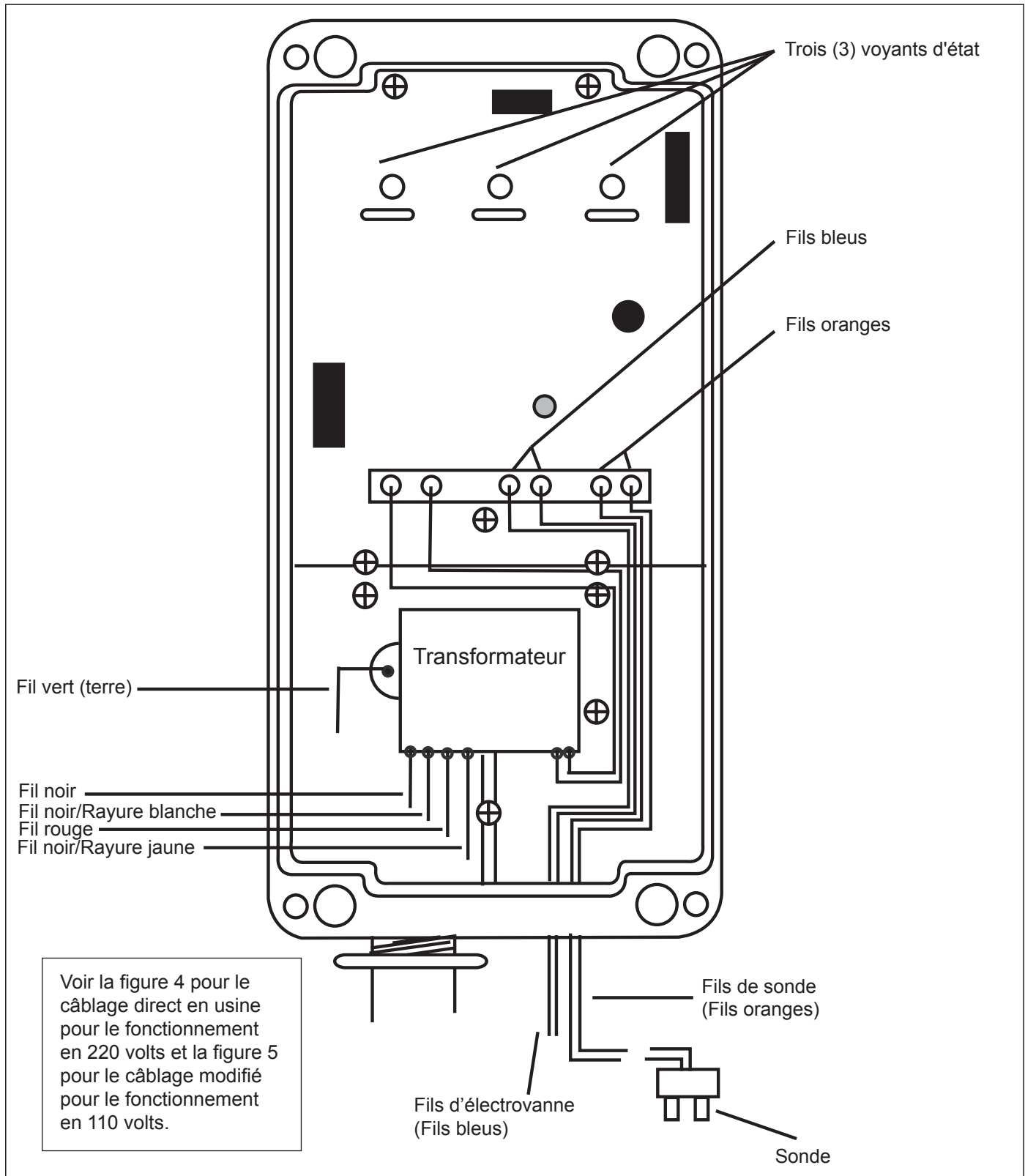


Figure 3. Boîtier de commande pour les modèles K-1100 et LEV110CK/2G

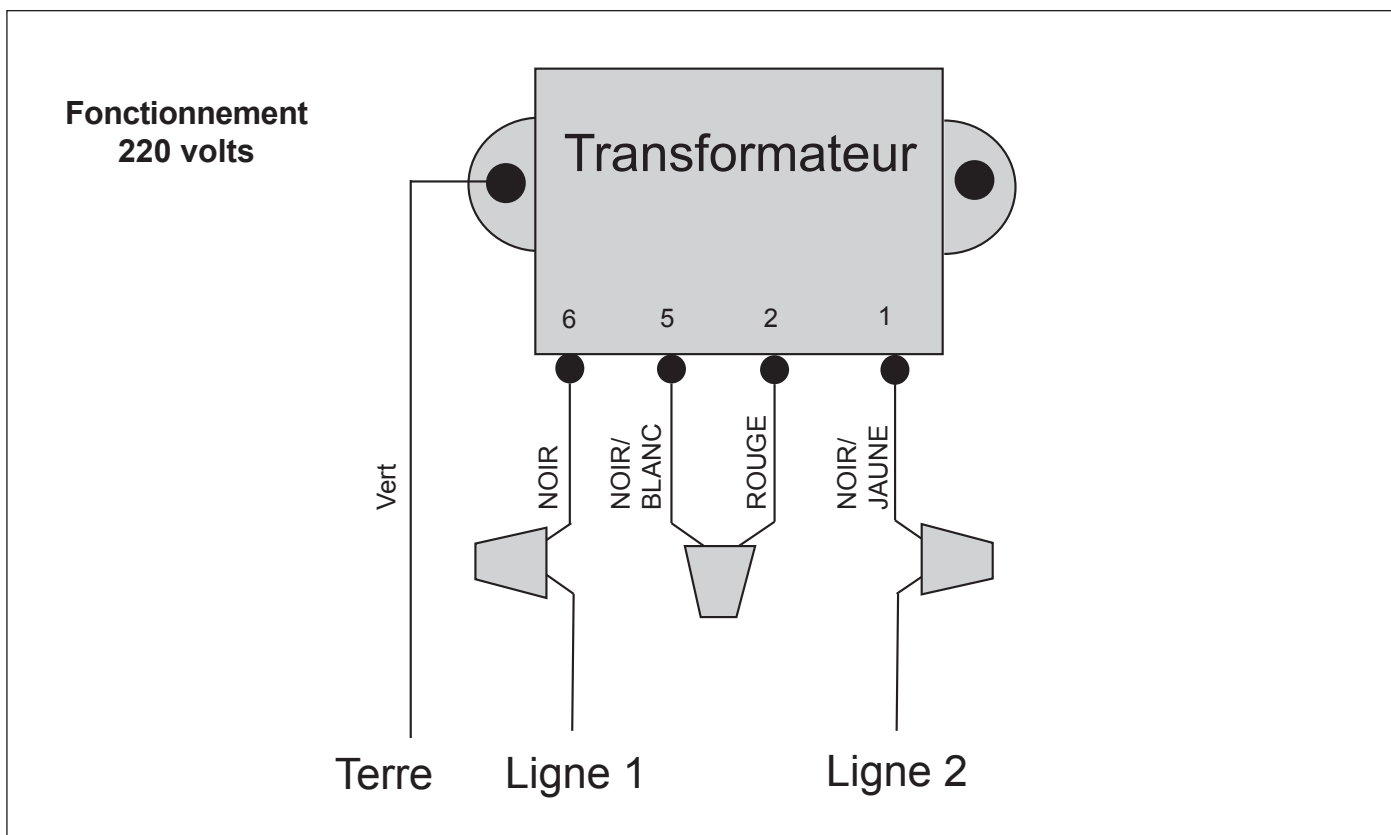


Figure 4. Câblage en usine des modèles K-1100, K-2300 et LEV110CK/2G pour un fonctionnement en 220 volts

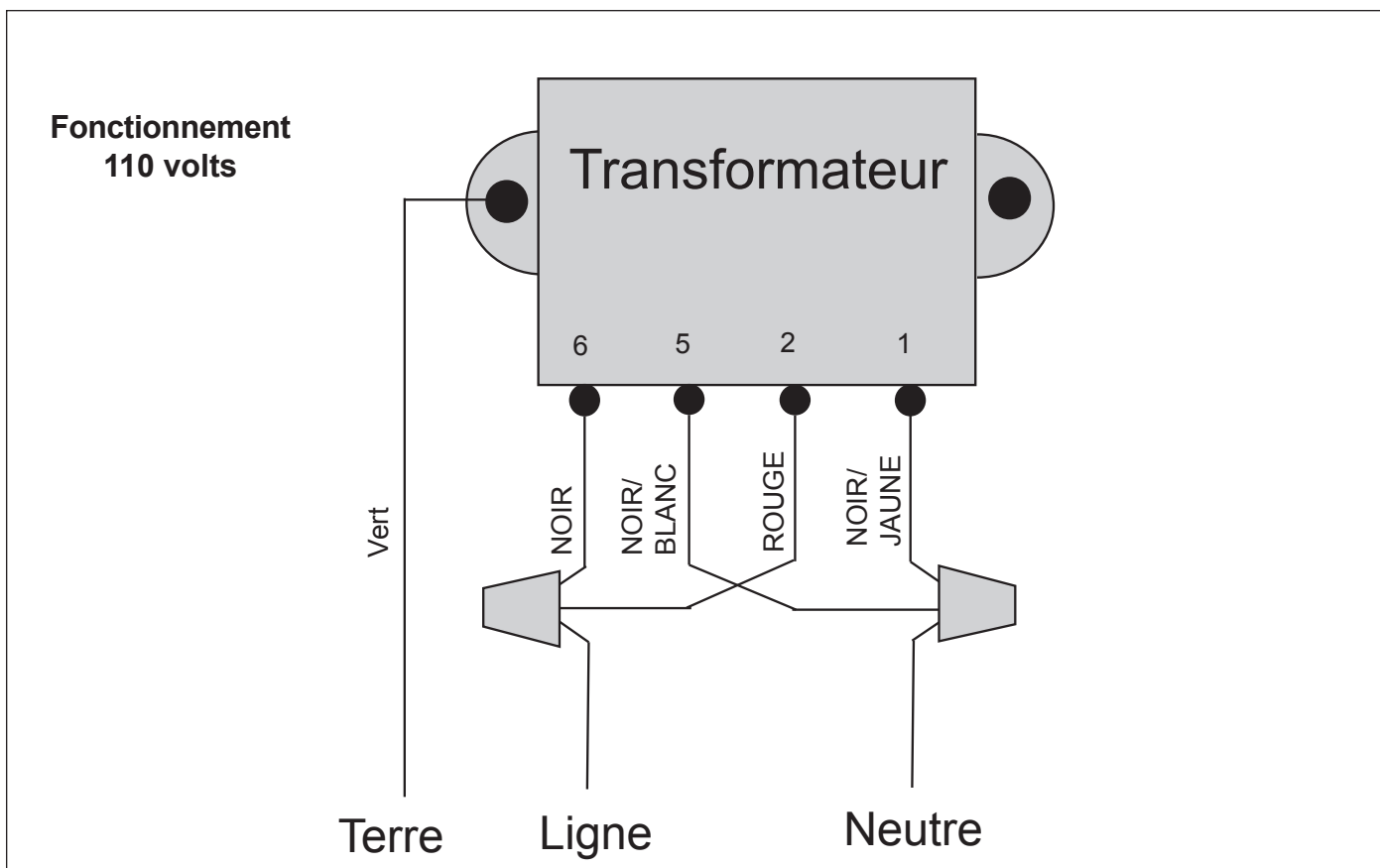


Figure 5. Câblage modifié des modèles K-1100, K-2300 et LEV110CK/2G pour un fonctionnement en 110 volts

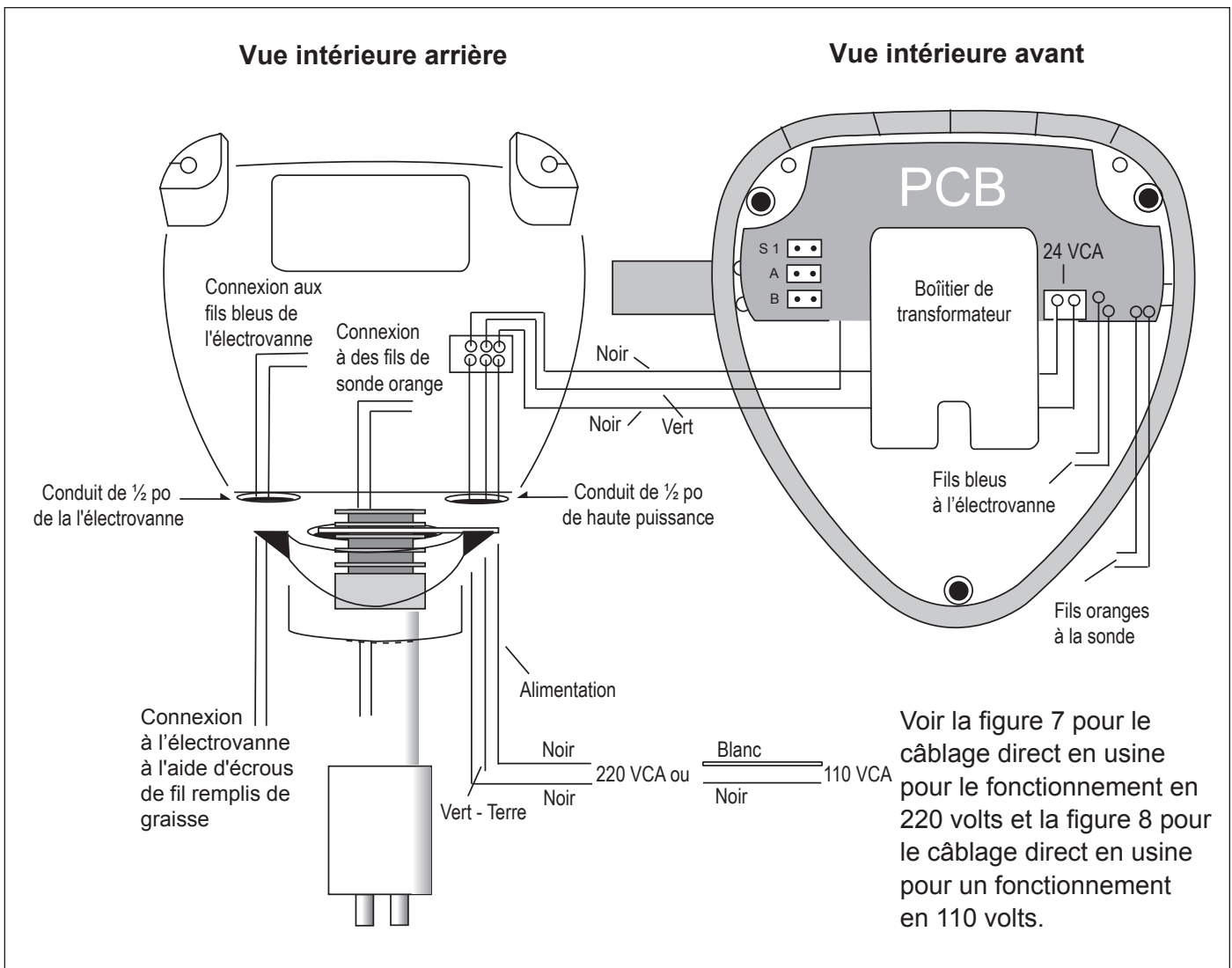


Figure 6. Boîtier de commande LX2

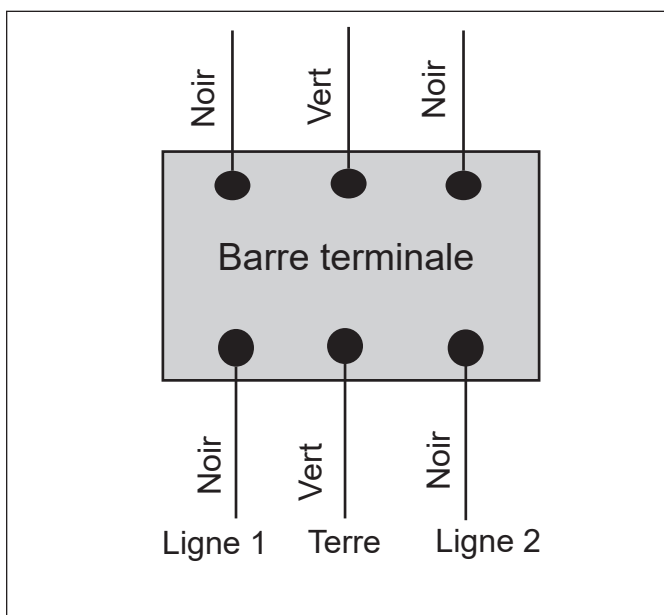


Figure 7. Câblage en usine direct LX2 pour une unité de 220 volts

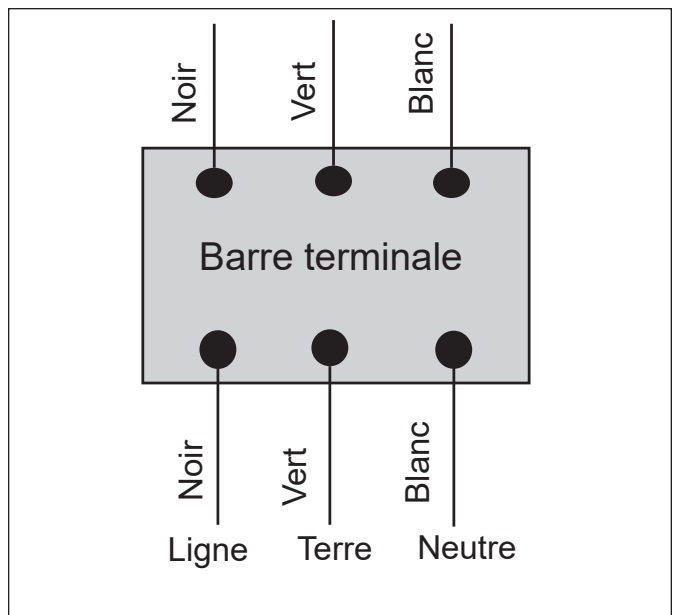


Figure 8. Câblage en usine direct LX2 pour une unité de 110 volts

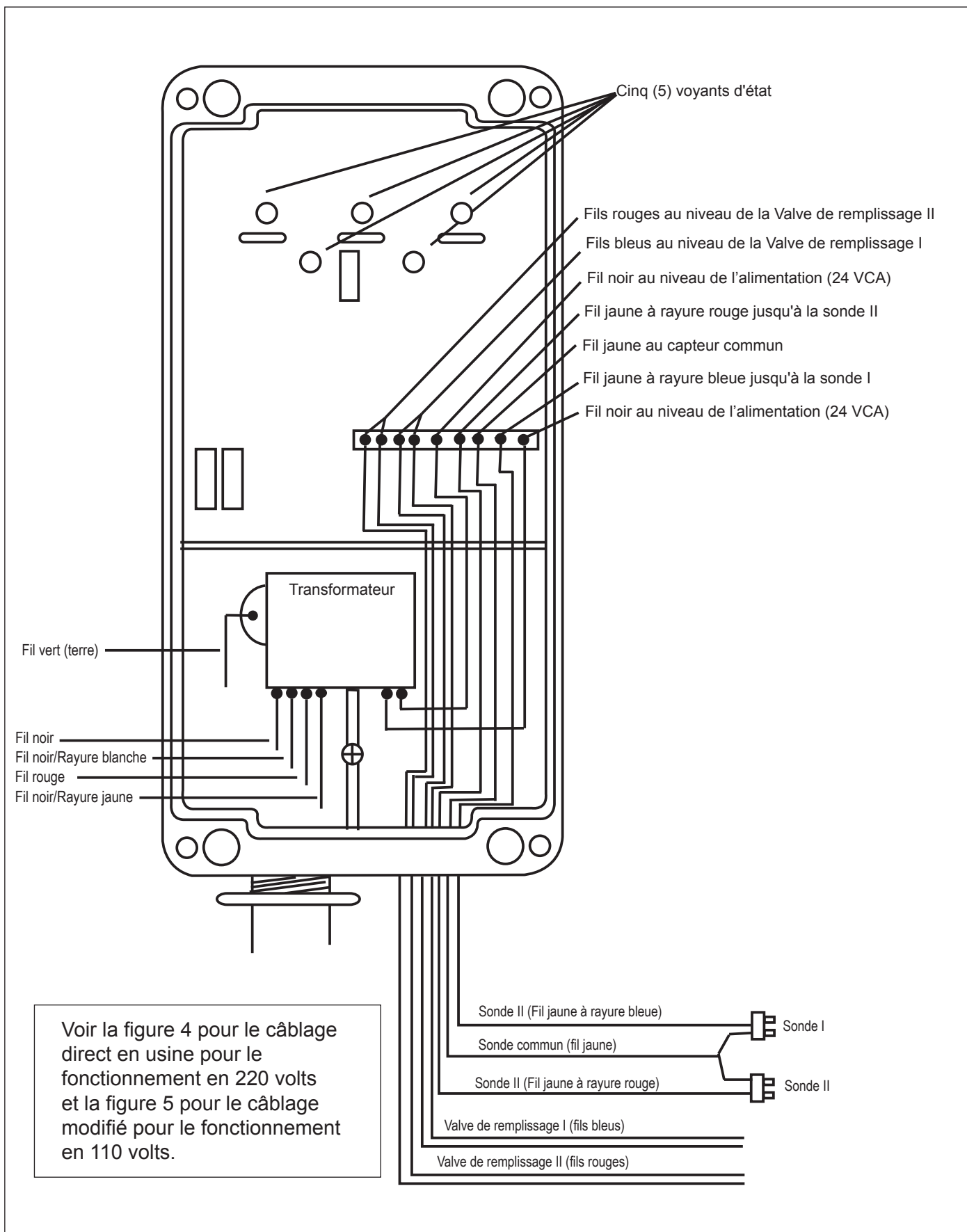


Figure 9. Boîtier de commande K-2300

Section 3. Directives d'installation

3.1 Matériaux et outils

Matériel d'installation fourni pour les modèles Levolor® K-1100, LX2 ou LEV110CK/2G	Qté
Sonde avec fil	1
Électrovanne	1
Coupleur	1
Boîtier de commande	1
Boîtier de la sonde à distance	1
Trousse de quincaillerie	1
Écrou de câble graissé a pour l'électrovanne.	2 par trousse
Vis	4 par trousse
Ancrages	4 par trousse
Manuel du propriétaire - Information sur la garantie	1

Matériel d'installation fourni pour Levolor II, modèle K-2300	Qté
Sonde avec fil	2
Électrovanne	2
Coupleur	2
Boîtier de commande	1
Boîtier de la sonde à distance	2
Trousse de quincaillerie	2
Écrou de câble graissé a pour l'électrovanne	2 par trousse
Vis	4 par trousse
Ancrages	4 par trousse
Manuel du propriétaire - Information sur la garantie	1

Matériels supplémentaires requis pour l'installation
Soupape anti-siphon*
2 conducteurs, Câble funéraire à noyau plein de calibre 18
Connecteurs à écrou filaire pour les connexions de la sonde et de l'alimentation

* La soupape anti-siphon n'est pas nécessaire si la connexion est établie à partir du système d'irrigation.

Ouvrez le boîtier et vérifiez qu'il contient le contenu répertorié ci-dessus. Si ce n'est pas le cas, contactez votre détaillant ou le soutien technique Zodiac au 800 822-7933.

3.2 Installation du boîtier de commande

REMARQUE Lorsque vous installez un Levolor sur un spa (moins de 300 m²), baissez la commande de débit pour réduire le débit de l'électrovanne.

Modèles K-1100, K-2300 et LEV110CK/2G

- Fixez le boîtier de commande contre le mur près de la pompe et du filtre. Voir la Figure 1. ***N'installez pas le boîtier de commande à moins de 3 m (10 pi) des bords de la piscine.***
- Fixez le boîtier de commande au niveau des yeux. Laissez un dégagement suffisant sur tous les côtés de la plaque arrière du châssis.
- Vérifiez la tension source. (Les trois unités sont câblées en usine pour fonctionner en 220 volts.) Pour modifier le câblage en mode 110 volts, voir la *Section 3.3*.
- Pour un fonctionnement en 220 volts, branchez le fil noir à la ligne 1 et branchez le fil noir à rayure jaune à la ligne 2. Voir la Figure 4.

Modèle LX2

- Fixez le boîtier de commande dans le tuyau statique où la sonde est installée. Voir la Figure 2.
- Vérifiez la tension source. (Il existe des unités séparées pour le fonctionnement en 220 et 110 volts.)
 - Pour un fonctionnement en 220 volts, branchez un des fils noirs à la ligne 1 et l'autre fil noir à la ligne 2. Voir la Figure 7.
 - Pour un fonctionnement en 110 volts, branchez le fil blanc à la ligne neutre blanche. Ensuite, connectez le fil noir à la ligne d'alimentation noire. Voir la Figure 8.

3.3 Changement de câblage pour un fonctionnement en 110 volts

⚠ AVERTISSEMENT


Des tensions potentiellement élevées dans le boîtier de commande Levolor® peuvent créer des risques électriques dangereux, pouvant entraîner la mort, des blessures graves ou des dommages matériels. Coupez l'alimentation au disjoncteur principal qui alimente le boîtier de commande pour déconnecter le boîtier de commande du système. Pour câbler le système correctement et en toute sécurité, assurez-vous de suivre attentivement les exigences applicables du Code national de l'électricité (NEC), NFPA 70 ou du Code canadien de l'électricité (CEC), CSA C22.1. Tous les codes d'installation locaux applicables doivent également être respectés.

Modèles K-1100, K-2300 et LEV110CK/2G

Reportez-vous aux figures 4 et 5 et procédez comme suit :

1. Coupez le capuchon de raccordement reliant les fils noir/blanc et rouge. Voir la Figure 4.
2. Connectez le fil rouge avec le fil noir et connectez-le au côté ligne de l'alimentation Voir la Figure 5.
3. Connectez le fil noir/blanc avec le fil noir/jaune et connectez-le au côté neutre de l'alimentation Voir la Figure 5.

3.4 Mise à terre

Branchez le fil de terre vert marqué  à la terre de votre panneau de distribution ou d'alimentation électrique avec un conducteur en cuivre continu à isolation verte de taille équivalente aux conducteurs du circuit alimentant cet équipement, mais pas inférieur au numéro 12 AWG (3,3 mm). Se référer aux codes locaux afin de connaître l'épaisseur acceptable du fil de liaison mis à terre.

3.5 Installation de l'électrovanne

REMARQUE Installez la vanne avec la flèche de flux d'eau directionnelle dirigée vers la direction appropriée. La flèche directionnelle d'écoulement de l'eau se trouve du côté entrée de la vanne.

Une électrovanne de 24 VCA fournira l'eau d'une conduite d'alimentation à la piscine ou au spa. Vous pouvez installer la ligne d'alimentation avant ou après le filtre sur l'équipement ou sur une ligne dédiée vers la piscine.

Les modèles K-1100, LX2, et K-2300 utilise une vanne de 1 po. et le modèle LEV110CK/2G utilise une vanne de 2 po. En outre, Zodiac recommande une soupape anti-siphon (pour éviter tout drainage accidentel de la piscine) et un filtre en ligne, que vous pouvez acheter chez Zodiac.

1. Raccordez l'électrovanne de l'eau de 24 VCA au câble pour installation souterraine monobrin de calibre 18 à l'aide des écrous de câble remplis de graisse fournis.
2. Connectez l'autre extrémité en fonction du modèle en cours d'installation, en suivant les instructions suivantes :

Modèles K-1100, LX2, et LEV110CK/2G : Connectez les fils de la vanne aux fils bleus du boîtier de commande à l'aide d'écrous.

Modèle K-2300 : Connectez les fils de la vanne I aux fils bleus du boîtier de commande à l'aide d'écrous. Connectez les fils de la vanne II aux fils rouges du boîtier de commande à l'aide d'écrous

3. Tournez le bouton de réglage du débit (+) en haut de la vanne (voir la figure 10) pour régler le débit selon vos spécifications.

REMARQUE Le débit peut être réglé jusqu'à 30 GPM pour les modèles K-1100, LX2 et K-2300. Le débit peut être réglé jusqu'à 130 GPM pour le LEV110CK/2G.

4. Placez le levier manuel sur MARCHE/ARRÊT, situé juste en dessous de l'électrovanne, en position ARRÊT, afin qu'il ne s'ouvre que s'il y a une demande du Levolor. Voir la Figure 11.

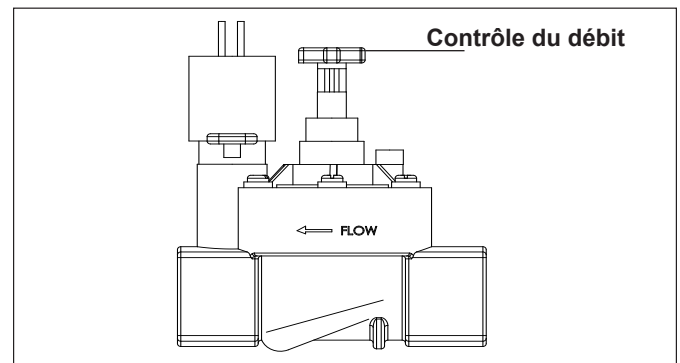


Figure 10. Régulateur de débit de vanne

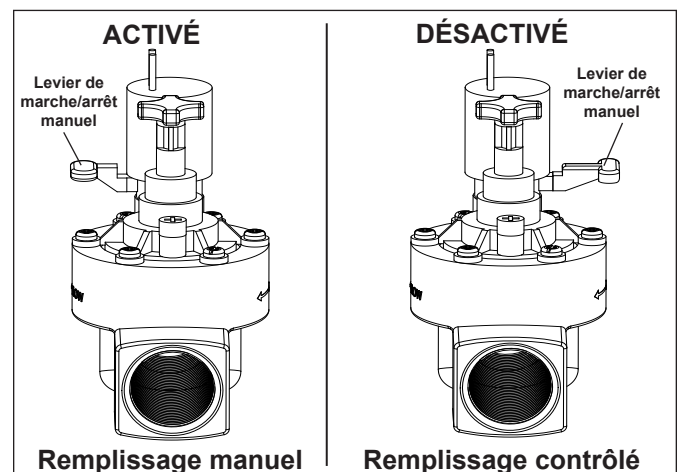


Figure 11. Levier de marche/arrêt manuel

3.6 Installation de la sonde

REMARQUE Si vous utilisez une sonde de style double, coupez et jetez la sonde que vous ne prévoyez pas d'utiliser. Voir la Figure 12.

⚠ MISE EN GARDE

Consignes de sécurité importantes. Le fil du capteur doit être continu et non épissé. Soudez toutes les connexions de fils basse tension si possible et utilisez toujours des écrous de fils remplis de graisse sur les connexions basse tension.

1. Installez la sonde à l'emplacement approprié pour le style de celle-ci.
 - a. Fixez la sonde d'écumoire (demi-lune) horizontalement sur une écumoire existante. Fixez avec du velcro ou un adhésif approprié dans la gorge de l'écumoire derrière l'arc de porte. Vous reporter aux figures 13 et 15.
 - b. Fixez la sonde ronde verticalement dans un tuyau statique. Collez la sonde sur le coupleur. Vous reporter aux figures 14 et 16.

REMARQUE Vissez la sonde fileté dans un raccord fileté de 1 po.

REMARQUE Lorsque vous utilisez la méthode du tuyau statique, collez tous les raccords de 1 po. uniquement. Ne collez pas les raccords de 2 po. Collez tous les raccords avec la colle ABS/PVC appropriée : La marque 793 IPS pour ABS/PVC.

2. Connectez les fils de la sonde comme suit :

Modèles K-1100, LX2, et LEV110CK/2G :

Connectez le câble de la sonde aux deux fils orange du boîtier de commande à l'aide d'écrous. Vous reporter aux figures 3 et 6.

Modèle K-2300 :

- a. Connectez un fil de la sonde I et II au fil jaune du capteur commun à l'aide d'écrous à fil Voir la Figure 9.
- b. Connectez l'autre fil de la sonde I au fil jaune à rayure bleue à l'aide d'écrous. Voir la Figure 9.
- c. Connectez l'autre fil de la sonde II au fil jaune à rayure rouge à l'aide d'écrous. Voir la Figure 9.

REMARQUE Pour tous les modèles, le fil des sondes doit être continu. Il ne peut y avoir aucune épissure de fil.

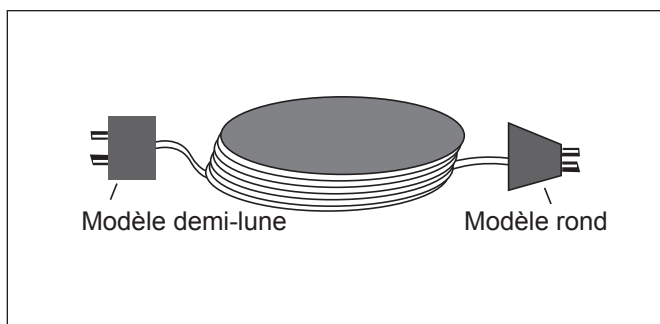


Figure 12. Sonde double

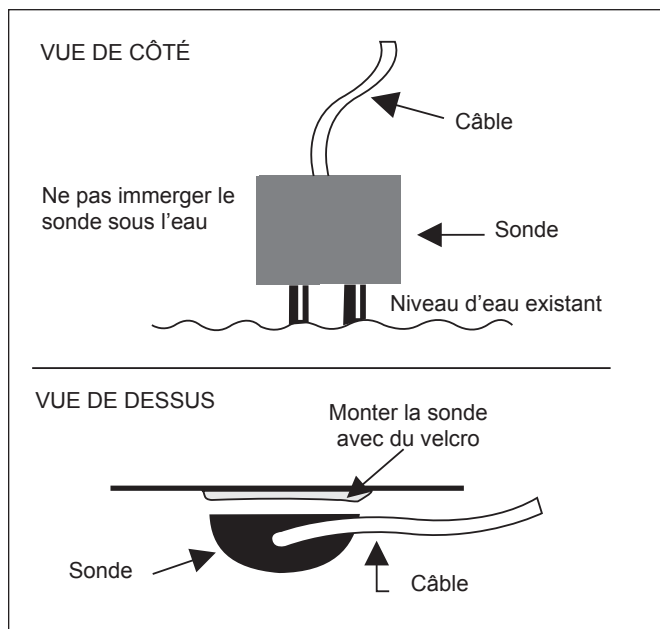


Figure 13. Installation d'une sonde d'écumoire (demi-lune) en réflexion

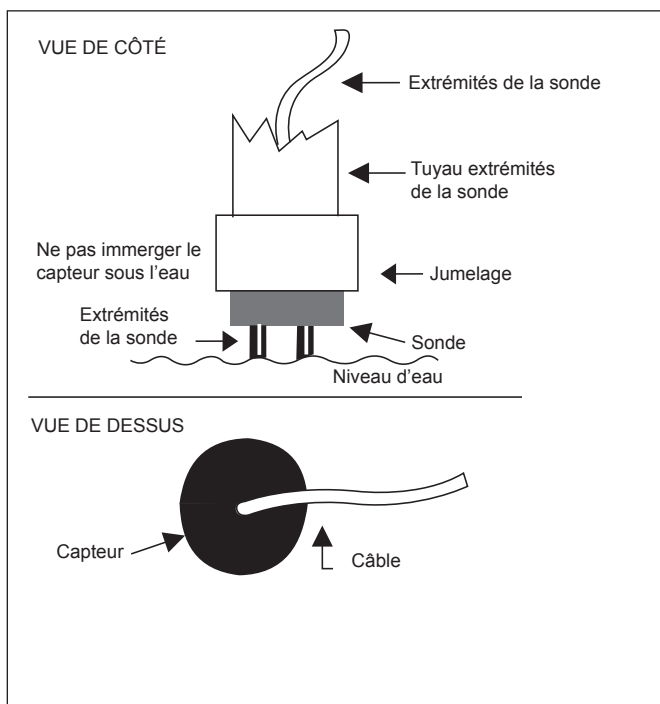


Figure 14. Installation de la sonde ronde

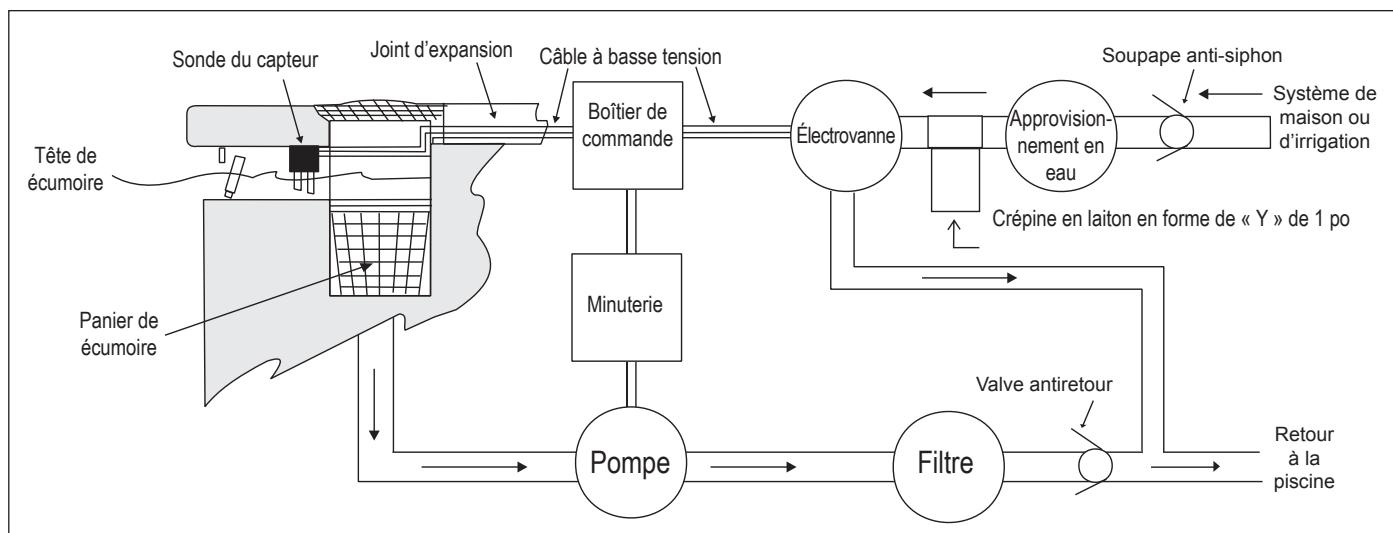


Figure 15. Capteur d'écumoire (demi-lune) installée dans une piscine existante

3.7 Schémas d'installation

Cette section présente des schémas d'installation et des détails relatifs à l'installation de sondes de style de demi-lune et de style rondes. Ce sont :

- La sonde d'écumoire (demi lune) dans une piscine existante
- Sonde ronde dans une conduite statique dans une nouvelle piscine
- Détail de la sonde ronde
- Sonde ronde dans un boîtier éloigné
- Détail de l'installation intégrée au trottoir
- Installation de tuyaux statiques LX2 dans une nouvelle piscine
- Sonde ronde dans l'installation LX2

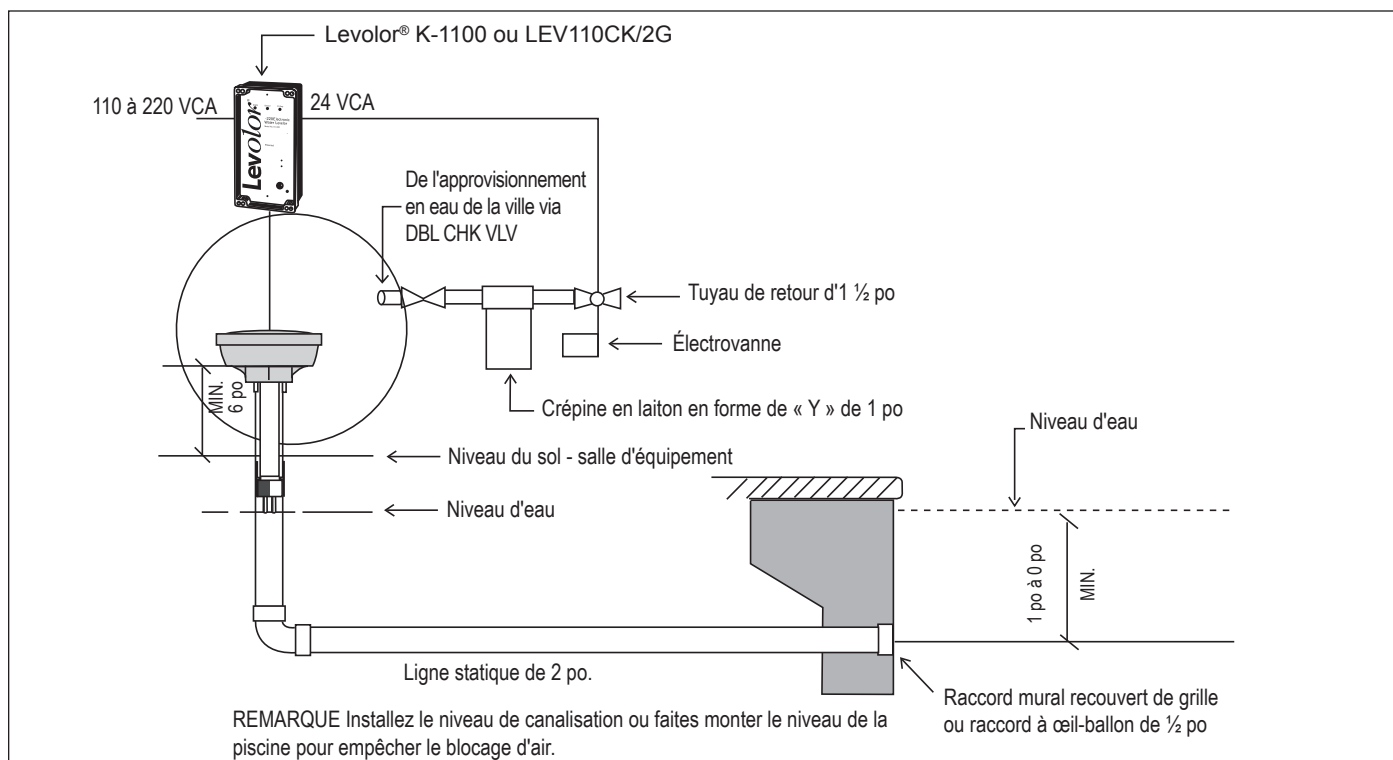


Figure 16. Sonde ronde dans une installation de tuyauterie statique dans une nouvelle piscine

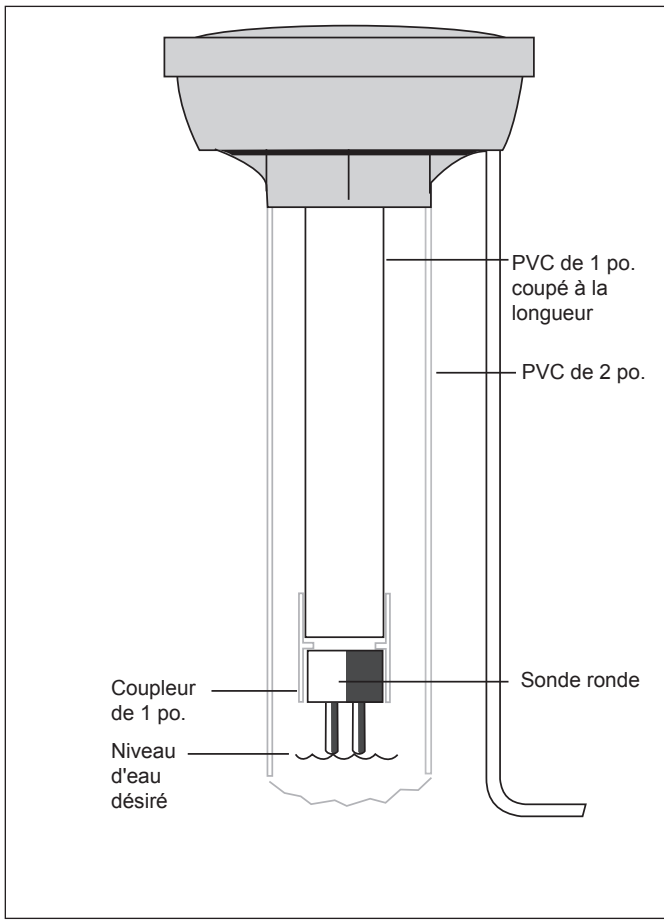


Figure 17. Détails de la sonde ronde

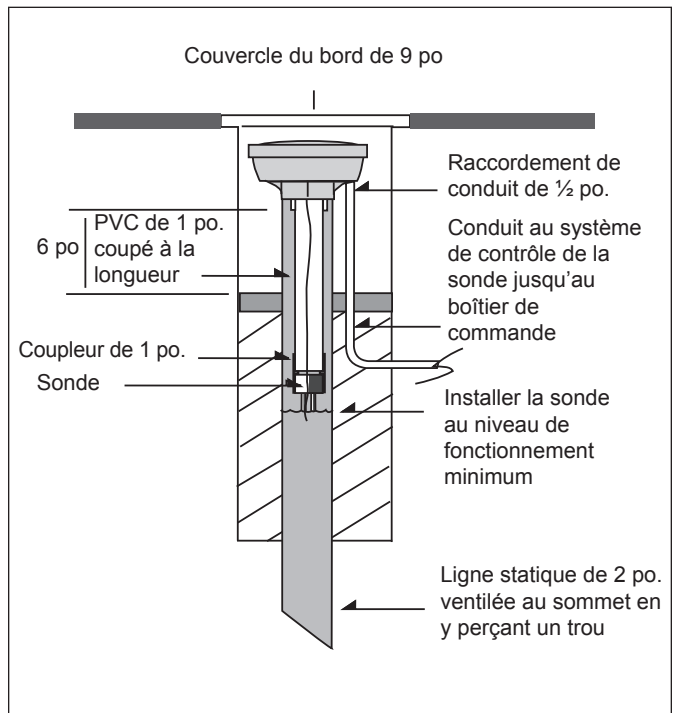


Figure 19. Détails de l'installation intégrée au trottoir

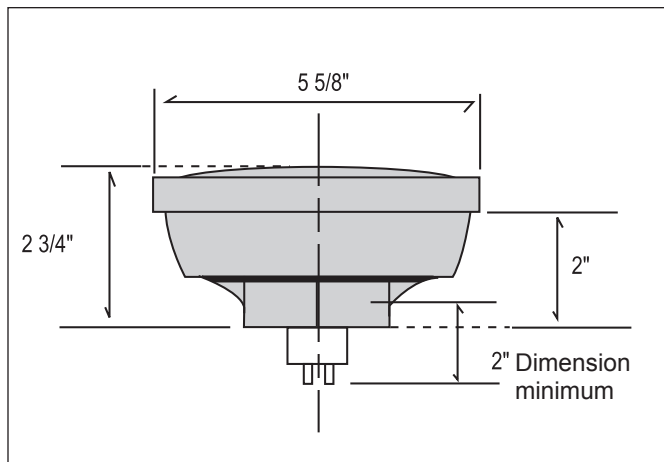


Figure 18. Détails de la sonde ronde dans un logement éloigné

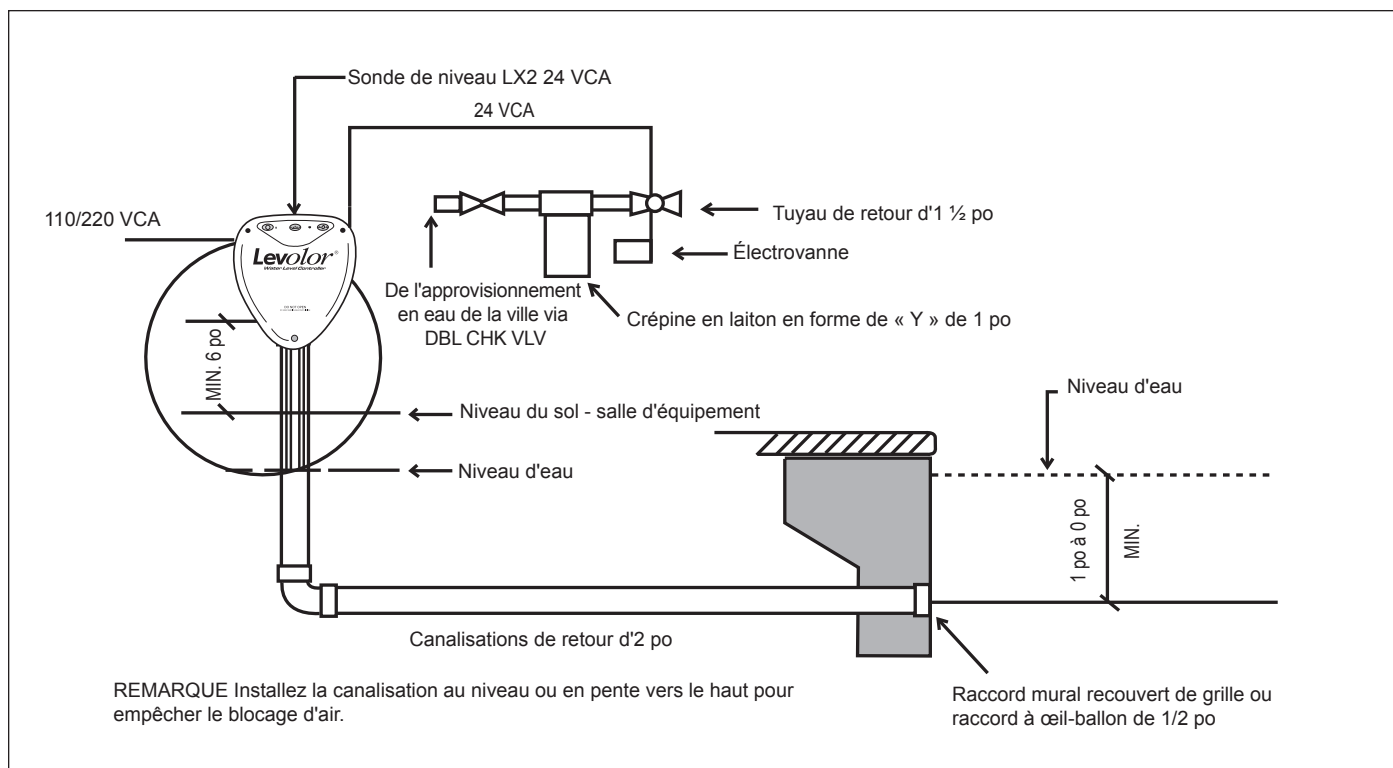


Figure 20. LX2 dans l'installation de tuyaux statiques dans une nouvelle piscine

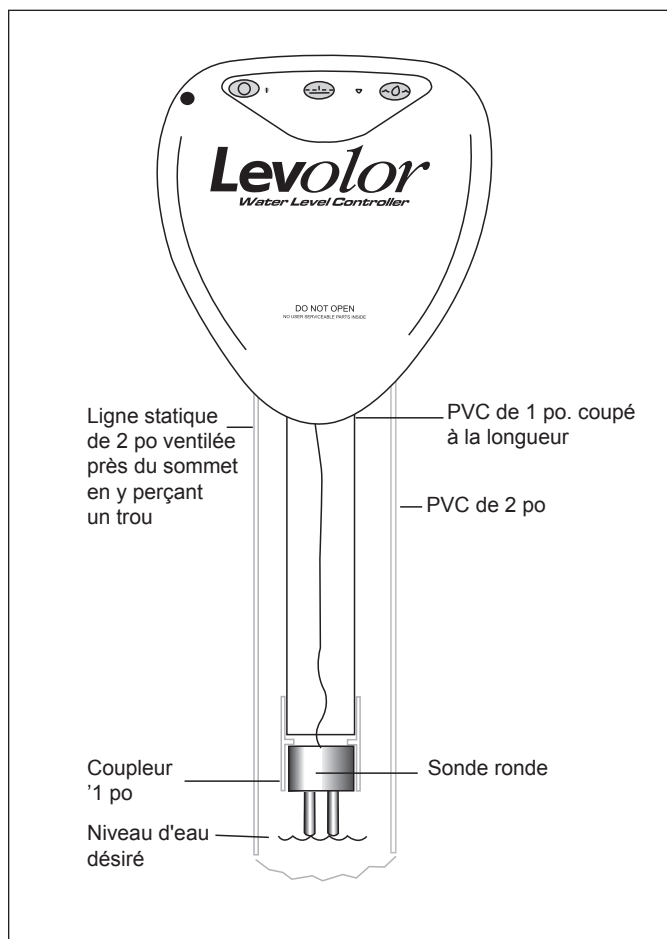


Figure 21. Détails de l'installation de la sonde ronde LX2

Section 4. Fonctionnement

4.1 Modèles K-1100, LEV110CK/2G et LX2

Les contrôleurs du K-1100 et du LEV110CK/2G (voir figure 22) et du LX2 (voir figure 23) possèdent chacun trois voyants. Reportez-vous aux figures et au tableau 1.

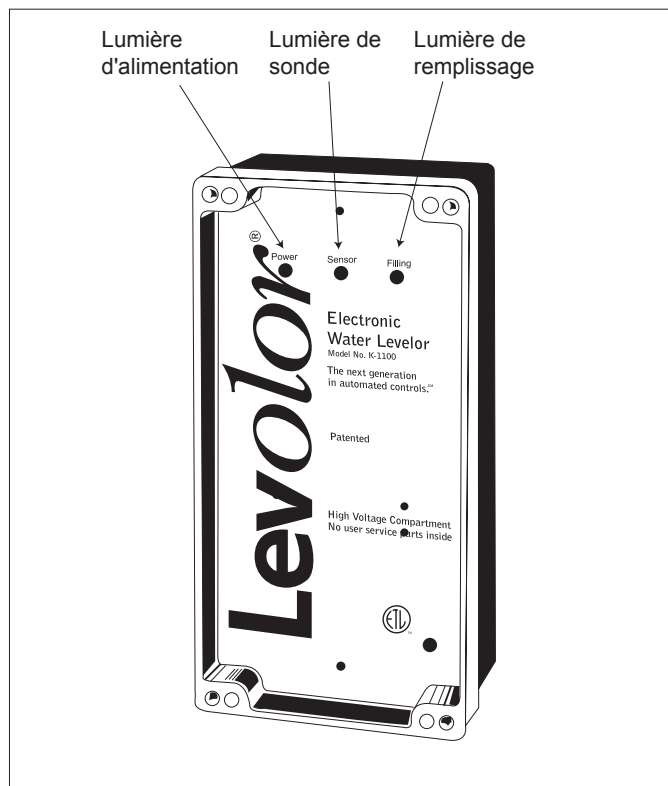


Figure 22. Lumières de contrôleur K-1100 et LEV110CK/2G

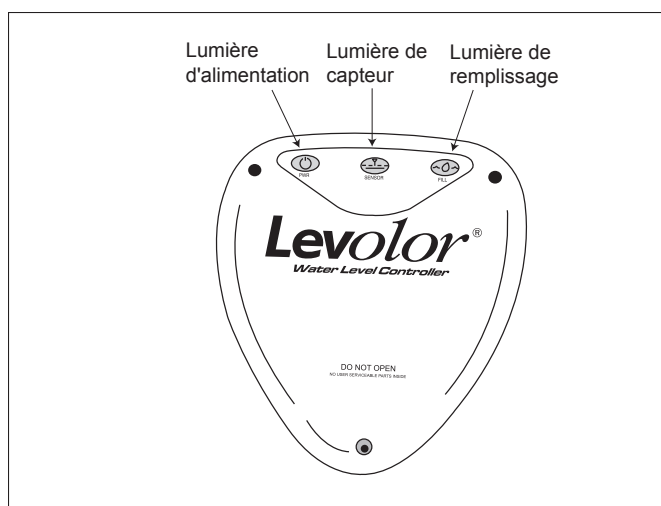


Figure 23. Lumières de contrôleur LEV110CK/2G

Le voyant de l'alimentation devient vert lorsque l'unité est sous tension. Le voyant de la sonde devient jaune lorsque l'eau ne touche pas les extrémités de la sonde.

Le voyant du remplissage devient vert 20 secondes après le voyant de la sonde, indiquant que la vanne est opérationnelle et en train de remplir. Le voyant du remplissage s'éteint lorsque la piscine est remplie.

Le voyant du remplissage devient rouge lorsque l'unité passe en mode de verrouillage du remplissage. Cela se produit si le remplissage de la piscine prend plus de temps que la période allouée (20, 40 ou 60 minutes). Pour plus d'informations, reportez-vous à la *Section 4.3, Mode verrouillage de sécurité du remplissage*.

REMARQUE La période de temps allouée au LEV110CK/2G est de une, deux ou trois heures. Voir le tableau 1.

DEL (diode lumineuse)	Fonction	Couleur	Mode de fonctionnement	Délai du démarrage	Délai d'arrêt
Alimentation	L'appareil est en marche	Vert	L'appareil est en marche	aucun	aucun
Sensor (Sonde)	Détecter le niveau d'eau trop bas	Jaune	Le niveau d'eau est bas	aucun	aucun
Filling (Remplissage) pour K-1100 et LX2)	Remplissage de piscine	Vert	La valve de remplissage est ouverte	20 secondes après, la lumière de la sonde est ALLUMÉE	20 secondes après La lumière de la sonde est ÉTEINTE
	Verrouillage de sécurité	Rouge	La valve de remplissage est fermée	20, 40 ou 60 minutes	24 heures
Filling (Remplissage) pour LEV110CK/2G)	Remplissage de piscine	Vert	La valve de remplissage est ouverte	20 secondes après, la lumière du capteur est ALLUMÉE	20 secondes après La lumière de la sonde est ÉTEINTE
	Verrouillage de sécurité	Rouge	La valve de remplissage est fermée	1, 2 ou 3 heures	24 heures

Tableau 1. Indicateurs DEL pour K-1100, LX2, et LEV110CK/2G

4.2 K-2300

Le contrôleur du K-2300 dispose de 5 affichages. Voir la figure 24 et vous reporter au Tableau 2. Le voyant de l'alimentation devient vert lorsque l'unité est en marche. Le voyant de la sonde I devient jaune lorsque l'eau ne touche pas les extrémités de la sonde I.

Vingt secondes plus tard, le voyant du remplissage I devient vert, indiquant que la vanne I est opérationnelle et en cours de remplissage. Le voyant s'éteint lorsque la piscine est remplie et devient rouge lorsque la vanne I passe en mode de verrouillage de sécurité.

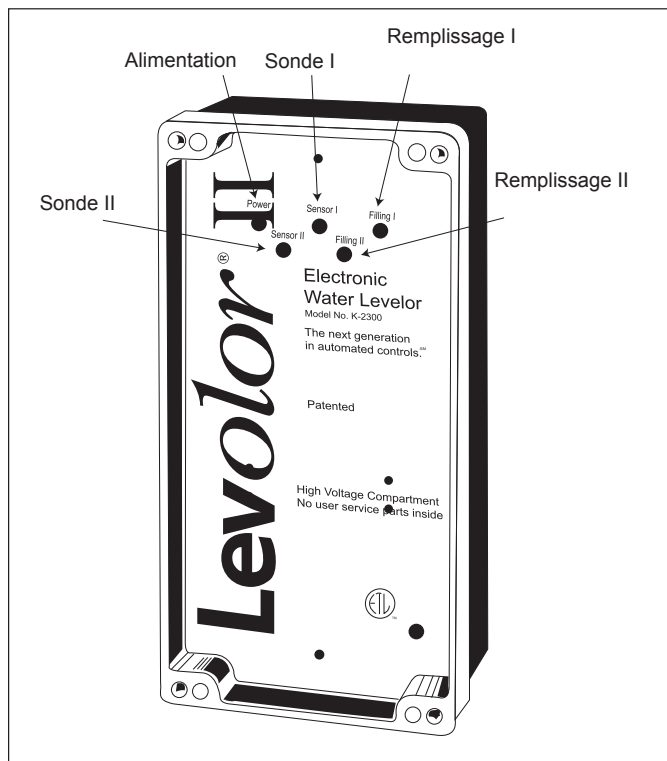


Figure 24. Lumières du contrôleur K-2300

LED (diode lumineuse)	Fonction	Couleur	Mode de fonctionnement	Délai du démarrage	Délai d'arrêt
Alimentation	L'appareil est en marche	Vert	L'appareil est en marche	aucun	aucun
Sonde I	Détecter le niveau d'eau trop bas dans la piscine	Jaune	Le niveau d'eau dans la piscine est bas	aucun	aucun
Remplissage I	Remplissage de la piscine	Vert	La valve de remplissage I est ouverte	20 secondes après, la lumière du capteur est ALLUMÉE	20 secondes après la lumière de la sonde est ÉTEINTE
	Verrouillage de sécurité	Rouge	La valve de remplissage I est fermée	20, 40 ou 60 minutes	24 heures
Sonde II	Détecter le niveau d'eau trop bas dans le spa	Jaune	Le niveau d'eau dans le spa est bas	aucun	aucun
Remplissage II	Remplissage du spa	Vert	La valve de remplissage II est ouverte	20 secondes après, la lumière de la sonde est ALLUMÉE	20 secondes après La lumière de la sonde est ÉTEINTE
	Verrouillage de sécurité	Rouge	La valve de remplissage II est fermée	20, 40 ou 60 minutes	24 heures

Tableau 2. Indicateurs DEL pour K-2300

Le voyant de la sonde II devient jaune lorsque l'eau ne touche pas les extrémités de la sonde II. Vingt secondes plus tard, le voyant du remplissage II devient vert, indiquant que la vanne II est opérationnelle et en cours de remplissage. Le voyant s'éteint lorsque la piscine est remplie et devient rouge lorsque la vanne II passe en mode de verrouillage de sécurité.

Notez que le K-2300 dispose de deux fonctionnalités de verrouillage de sécurité, une pour la vanne I et l'autre pour la vanne II. Elles fonctionnent de manière indépendante. Si une vanne passe en mode de verrouillage de sécurité, l'autre vanne peut continuer à fonctionner normalement.

4.3 Mode de verrouillage du remplissage

Le mode de verrouillage du remplissage ferme le Niveau de remplissage I ou le Niveau de remplissage II pendant 24 heures ou jusqu'à ce que l'unité soit mise hors tension et se rallume pour réinitialiser le temps de remplissage. Lorsque l'unité se verrouille, cela indique un problème possible avec le système de commande, de la sonde ou de conduite du remplissage en eau. La fenêtre de 24 heures fournit le temps nécessaire pour rechercher et résoudre le problème. Si le problème n'a pas été résolu après 24 heures, la commande se verrouillera pendant 24 heures supplémentaires.

Les quatre modèles décrits dans ce manuel sont équipés d'une séquence de verrouillage. Cela signifie que si la sonde Levolor® n'a pas été touchée par de l'eau pendant la période de remplissage pré-réglée, le contrôleur ferme la vanne pendant 24 heures et fait passer le voyant du Niveau de remplissage I ou du Niveau de remplissage II du vert au rouge.

Le temps pré-réglé en usine pour le remplissage des K-1100, LX2 et K-2300 est de 20 minutes, mais il peut être modifié en 40 ou 60 minutes. Le temps pré-réglé en usine pour le remplissage du modèle LEV110CK/2G est de 1 heure, mais il peut être modifié à 2 ou 3 heures. Voir Tableau 1 pour des périodes de remplissage modifiées et pré-réglées. Voir Section 4.4 pour des instructions sur la modification des périodes de remplissage prédéfinies.

4.4 Temps de remplissage avant verrouillage

Modèles K-1100 et LX2 :

Pour les modèles K-1100 et le LX2, le temps de remplissage réglé en usine avant que le verrouillage de sécurité ne se produise est de 20 minutes. Le temps de remplissage peut être modifié en coupant les cavaliers comme suit :

Couper cavaliers	Temps de remplissage
A ou B	40 minutes avant le verrouillage
Les deux, A et B	60 minutes avant le verrouillage

REMARQUE Pour désactiver la fonction de verrouillage, coupez le cavalier S-1.

Voir la Figure 26 pour connaître l'emplacement des cavaliers LX2 et la Figure 27 pour connaître l'emplacement des cavaliers K-1100.

Modèle LEV110CK/2G :

Le temps de remplissage réglé en usine sur le modèle LEV110CK/2G avant le verrouillage est d'une heure. Pour modifier, coupez les cavaliers comme suit :

Couper cavaliers	Temps de remplissage
A ou B	2 heures avant le verrouillage
Les deux, A et B	3 heures avant le verrouillage

REMARQUE Pour désactiver la fonction de verrouillage, coupez le cavalier S-1.

Voir la figure 27 pour l'emplacement des cavaliers LEV110CK/2G.

Modèle K-2300 : Le temps de remplissage du modèle K-2300 réglé en usine avant le verrouillage est de 20 minutes pour les niveaux de remplissages I et II. Pour modifier les temps de remplissage, coupez les cavaliers comme suit :

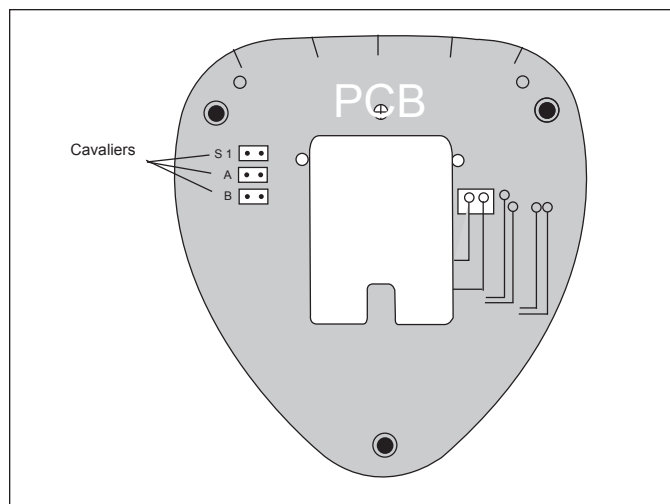


Figure 26. Cavaliers LX2

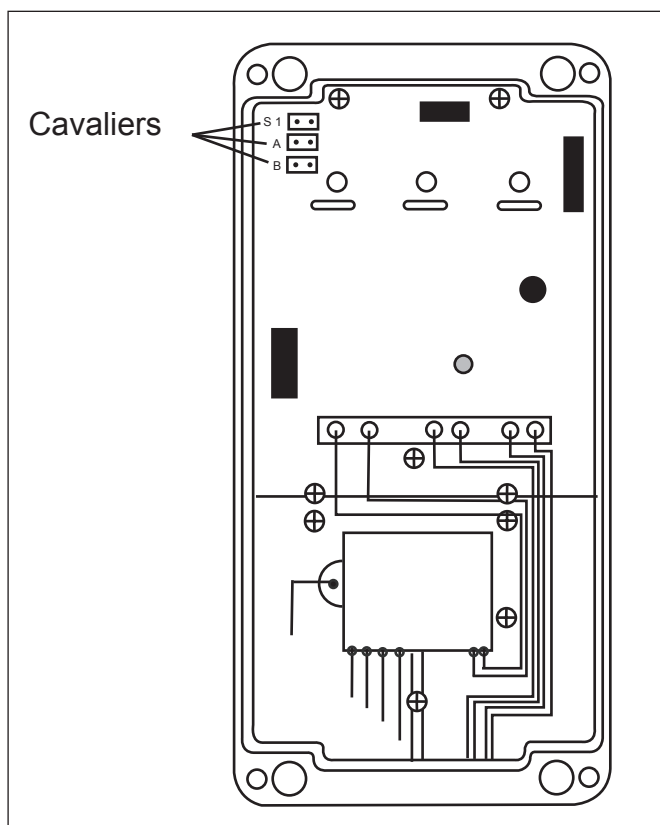


Figure 27. Cavaliers K-1100 et LEV110CK/2G

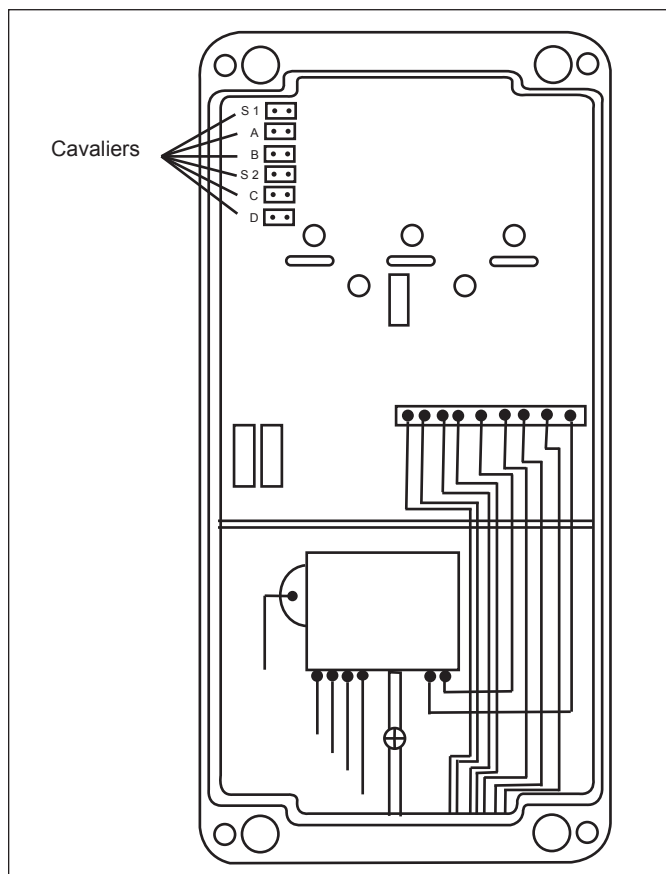


Figure 28. Cavaliers K-2300

Couper cavaliers	Temps de remplissage
A ou B	40 minutes avant le verrouillage du Niveau de remplissage I
Les deux, A et B	60 minutes avant le verrouillage du Niveau de remplissage
C ou D	40 minutes avant le verrouillage du Niveau de remplissage II
Les deux C et D	60 minutes avant le verrouillage du Niveau de remplissage II

REMARQUE Pour désactiver la fonction de verrouillage du Niveau de remplissage I, coupez le cavalier S-1. Pour désactiver la fonction de verrouillage du Niveau de remplissage II, coupez le cavalier S-2.

Voir la figure 28 pour l'emplacement des cavaliers K-2300.

Section 5. Guide de dépannage

5.1 Commande manuelle des électrovannes

Il y a un levier manuel de MARCHE/ARRÊT situé juste en dessous du solénoïde. Si vous rencontrez un problème avec le système et que vous souhaitez désactiver le Levolor® électronique d'eau, vous pouvez ouvrir manuellement la vanne en mettant le levier en position MARCHE. Voir la Figure 11.

En fonctionnement normal, le levier doit être en position ARRÊT.

5.2 Observations initiales sur le chantier

Lorsque vous êtes appelé sur un chantier, faites ces premières observations.

- Utilisation correcte du fil entre le contrôleur et la vanne. (Fil monobrin en polypropylène de type souterrain, de calibre 18 ou plus). (Même fil que le fil de la sonde.)
- Les écrous de câble appropriés au niveau du raccordement de la vanne. (Écrous de fil remplis de graisse ou capuchons de gel. Les écrous conventionnels remplis de silicone ne fonctionneront pas puisque certains silicones ont des acides qui dégradent les fils de cuivre.)
- Le fil de la sonde doit être continu et non épissé. (Pas d'épissure entre les pointes et le contrôleur.)
- Utilisation appropriée de la sonde. (Style rond pour les tuyaux statiques ou style écumoire (demi-lune) pour les supports pour écumoire où il n'y a pas d'eau en transit des fontaines, etc.)
- Tension d'alimentation appropriée au boîtier.

5.3 Essai de fonctionnement de l'unité de commande

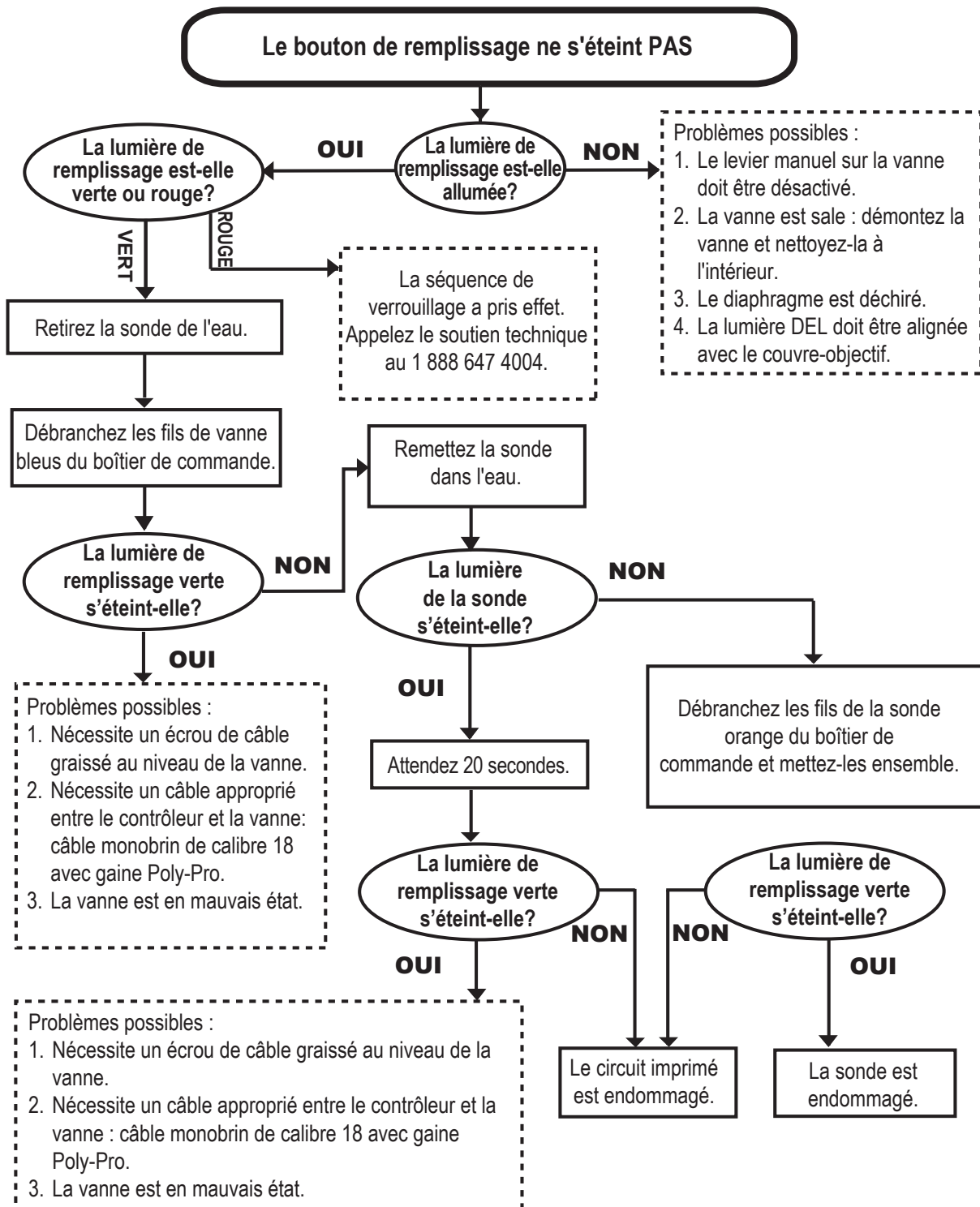
- Couper l'alimentation du boîtier de commande.
- Débranchez la sonde des fils de la sonde:
 - Modèles K-1100, LX2, et LEV110CK/2G : Débranchez la sonde des fils oranges du boîtier de commande.

- Modèle K-2300 : Débranchez la sonde I du fil jaune avec la bande bleue et le fil commun jaune dans le boîtier de commande. Débranchez la sonde II du fil jaune avec la bande rouge et le fil commun jaune dans le boîtier de commande.
- Débranchez la vanne des fils de la vanne, en vous assurant qu'ils ne se touchent pas entre eux ou à la terre.
 - Modèles K-1100, LX2, et LEV110CK/2G : Débranchez la vanne des fils bleus du boîtier de commande.
 - Modèle K-2300 : Débranchez la vanne I des fils bleus du boîtier de commande et débranchez la vanne II des fils rouges du boîtier de commande.
 - Rétablissez l'alimentation du boîtier de commande et observez le fonctionnement. Le boîtier de commande fonctionne si les étapes 5 à 9 se produisent.
 - La lumière d'alimentation devient verte.
 - La(les) lumière(s) de la sonde devient(deviennent) jaune(s).
 - Envoyez la tension à la (aux) vanne(s).
 - Modèles K-1100, LX2, et LEV110CK/2G : Vingt secondes après que la lumière de la sonde devient jaune, la lumière de remplissage devient verte, envoyant 24 VCA à la valve sur les fils bleus.
 - Modèle K-2300 : Vingt secondes après que la lumière de la sonde I devient jaune, la lumière de remplissage I devient verte, envoyant 24 VCA à la vanne I sur les fils bleus. Vingt secondes après que la lumière de la sonde II devient jaune, la lumière de remplissage I devient verte, envoyant 24 VCA à la vanne II sur les fils rouges.
 - Utilisez un voltmètre pour confirmer la tension de 24 VCA aux fils contenus dans le boîtier de commande.
 - Raccordez les fils de la sonde:
 - Modèles K-1100, LX2, et LEV110CK/2G : Branchez les fils oranges dans le boîtier de commande et de la sonde de lumière jaune de la sonde s'éteint immédiatement. Vingt secondes plus tard, la lumière verte de remplissage s'éteint.
 - Modèle K-2300 : Connectez le fil jaune avec la bande bleue pour la sonde I et le fil commun jaune ensemble dans le boîtier de commande, et la lumière jaune de la sonde I s'éteint immédiatement. Vingt secondes plus tard, la lumière verte de remplissage I s'éteint. Connectez le fil jaune avec la bande rouge pour la sonde II et le fil commun jaune dans le boîtier de commande. La lumière la sonde II s'éteint immédiatement. Vingt secondes plus tard, la lumière de remplissage II s'éteint.
 - Après que la(les) lumière(s) vert(s) de remplissage s'éteignent, utilisez un voltmètre CA pour confirmer ce qui suit :
 - Modèles K-1100, LX2, et LEV110CK/2G : 0 tension aux fils bleus du boîtier de commande.
 - Modèle K-2300 : 0 tension sur les fils bleus pour la vanne I et les fils rouges pour la vanne II.

Utilisez les diagrammes de dépannage des pages suivantes pour trouver et résoudre des problèmes spécifiques.

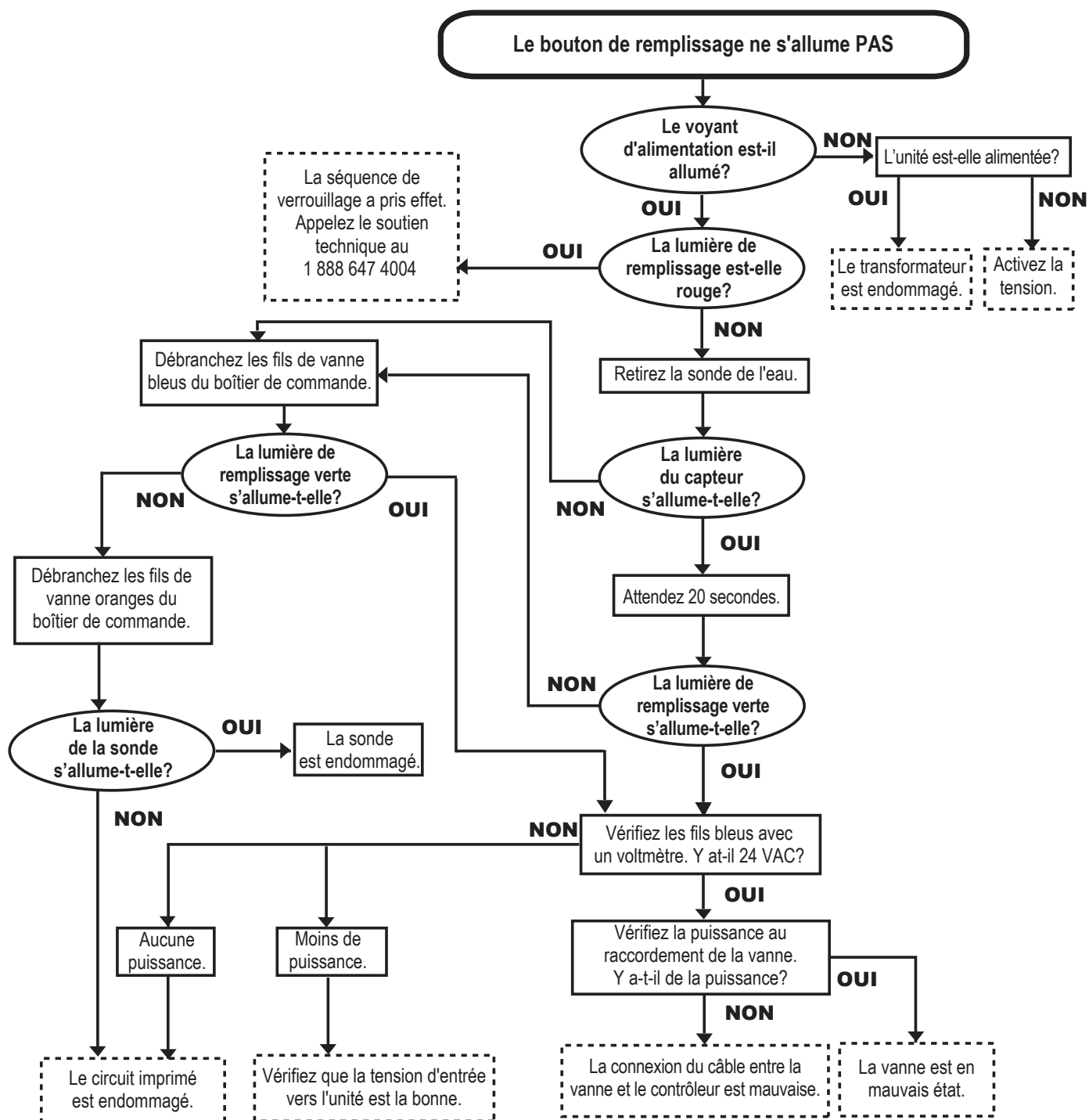
5.4 Le remplissage n'arrête pas

Il s'agit d'un diagramme de dépannage pour les K-1100, LX2 et LEV110CK/2G. Utilisez-le lorsque la fonction de Remplissage ne s'éteint pas.



5.5 Le remplissage ne démarre pas

Il s'agit d'un diagramme de dépannage pour les modèles K-1100, LX2 et LEV110CK/2G. Utilisez-le lorsque la fonction de Remplissage ne s'éteint pas.



Section 6. Pièces de rechange

6.1 Informations de commande

Pour commander ou acheter des pièces des produits Levolor®, veuillez prendre contact avec votre détaillant ou distributeur Jandy le plus proche. Consultez le site web de Jandy à l'adresse www.jandy.com pour connaître le centre de service le plus proche. Pour obtenir de plus amples renseignements, communiquez avec le service à la clientèle de Zodiac Pool Systems, Inc. au 800 822-7933.

REMARQUE Pour commander la bonne pièce, vous devez fournir le bon numéro de modèle et le bon numéro de pièce.

Clé	Description	N° de modèle	# de pièce
Circuits imprimés (PCBs) et contrôleurs			
1	Circuit imprimé Levolor avec système de temporisation	K-1100	LEVBRD (timeout)
2	Contrôleur uniquement, Lev-220V	K-1100	LEV220Control
3	PCB avec transformateur, Lev-220V	K-1100	LEV220BD w/TRANS
4	Contrôleur uniquement, LX2, 110V et 220V	LX2	LX2Control
5	PCB uniquement, LX2, 110V et 220V	LX2	LX2Board
6	Contrôleur uniquement, K-2300 220V	K-2300	K2300220Control
7	PCB avec transformateur, K-2300 220V	K-2300	K2300220BDT
Sonde de style ronde (installation de tuyau statique)			
8	Capteur à contact de style veille 2 avec 20 pieds	K-1100, K-2300	S2040
8*	Sonde ronde à 2 contacts avec fil 50 pieds	K-1100, K-2300	S2040A
8	Sonde ronde à 2 contacts avec fil 100 pieds	K-1100, K-2300	S2040C
8	Capteur à contact de style veille 2 avec 100 pieds	K-1100, K-2300	S2040E
8	Sonde ronde à 2 contacts avec fil 100 pieds	K-1100, K-2300	S2040G
8	Capteur à contact de style veille 2 avec 250 pieds	K-1100, K-2300	S2040I
8	Sonde ronde à 2 contacts avec fil 300 pieds	K-1100, K-2300	S2040K
8	Capteur à contact de style veille 2 avec 350 pieds	K-1100, K-2300	S2040M
De style fileté (installation de tuyau statique)			
9	Contact de style fileté 2 avec 50 pieds	K-1100, K-2300	S2042A
9	Contact de style fileté 2 avec 100 pieds	K-1100, K-2300	S2042C
9	Contact de style fileté 2 avec 100 pieds	K-1100, K-2300	S2042G
9	Capteur de contact de style fileté 2 avec 50 pieds -30	K-1100, K-2300	S2042A30

Clé	Description	N° de modèle	# de pièce
Sonde style écumoire (demi-lune)			
10	Contact de style demi-lune 2 sans fil	K-1100, LX2, K-2300	S2044
10	Sonde demi-lune à 2 contacts avec fil 50 pieds	K-1100, LX2, K-2300	S2044A
10	Sonde demi-lune à 2 contacts avec fil 100 pieds	K-1100, LX2, K-2300	S2044C
10	Capteur de contact de style demi-lune 2 avec 100 pieds	K-1100, LX2, K-2300	S2044C4
10	Contact de style demi-lune 2 avec 150 pieds	K-1100, LX2, K-2300	S2044E
10	Sonde demi-lune à 2 contacts avec fil 200 pieds	K-1100, LX2, K-2300	S2044G
10	Contact de style demi-lune 2 avec 250 pieds	K-1100, LX2, K-2300	S2044I
10	Sonde demi-lune à 2 contacts avec fil 300 pieds	K-1100, LX2, K-2300	S2044K
10	Contact de style demi-lune 2 avec 350 pieds	K-1100, LX2, K-2300	S2044M
Sonde double			
11	Sonde double avec fil 50 pieds	K-1100, LX2, K-2300	S2046A
11	Sonde double avec fil 100 pieds	K-1100, LX2, K-2300	S2046C
11	Capteur double style avec 150 pieds	K-1100, LX2, K-2300	S2046E
11	Sonde double avec fil 200 pieds	K-1100, LX2, K-2300	S2046G
11	Capteur double style avec 250 pieds	K-1100, LX2, K-2300	S2046I
11	Sonde double avec fil 300 pieds	K-1100, LX2, K-2300	S2046K
11	Capteur double style avec 350 pieds	K-1100, LX2, K-2300	S2046M
11	Capteur double style avec 400 pieds	K-1100, LX2, K-2300	S2046O
11	Capteur double style avec 450 pieds	K-1100, LX2, K-2300	S2046Q
11	Capteur double style avec 500 pieds	K-1100, LX2, K-2300	S2046S
Divers			
12	Couvercle du capteur à distance et boîtier inférieur	K-1100, LX2, K-2300	70010110
13	Electrovanne 24V avec contrôle de débit, valve 1" plastique.	K-1100, LX2, K-2300	SOL100
14	Crépine en Y, 1"	K-1100, LX2, K-2300	BRY

Zodiac Pool Systems LLC

2882 Whiptail Loop # 100, Carlsbad, CA 92010

Zodiac Pool Systems Canada, Inc.

2-3365 Mainway, Burlington, ON L7M 1A6 Canada

USA | Jandy.com | 1.800.822.7933

Canada | Jandy.ca | 1.888.647.4004

©2019 Zodiac Pool Systems, Inc. ZODIAC® est une marque déposée de Zodiac International, S.A.S.U., utilisée sous licence. Toutes les marques de commerce mentionnées dans ce document appartiennent à leurs propriétaires respectifs.

H0303600 Rev E



HOMOLOGUÉ ETL
CONFORME À LA NORME
UL STD 1563

HOMOLOGUÉ
CAN/CSA C22.2 NO. 218,1



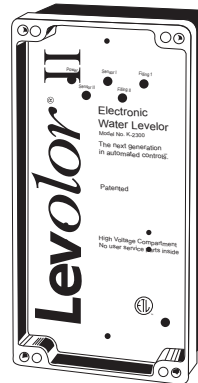
Jandy Levolor® Nivelador de agua electrónico Modelos K-1100, LX2, K-2300 y LEV110CK/2G



K-1100



LX2



K-2300



LEV110CK/2G

ADVERTENCIA

PARA SU SEGURIDAD - La instalación y el servicio técnico de este producto deben estar a cargo de un contratista cualificado y matriculado para trabajar con equipamientos para piscinas en la jurisdicción en la que se instalará el producto, donde existan tales requisitos estatales o locales. El técnico debe ser un profesional con experiencia suficiente en instalación y mantenimiento de equipamientos para piscinas de manera que pueda seguir correctamente todas las instrucciones de este manual. Antes de instalar este producto, lea y observe todas las advertencias y las instrucciones que se proporcionan con el producto. Si no se observan las advertencias o las instrucciones, es posible que se produzcan daños materiales, lesiones personales o la muerte. Si la instalación o la operación se llevan a cabo incorrectamente, la garantía se anulará. Una instalación u operación inadecuadas pueden generar peligros eléctricos no deseados que pueden provocar lesiones graves, daños materiales o la muerte.



ATENCIÓN INSTALADOR - Este manual contiene información importante acerca de la instalación, la operación y la utilización seguras de este producto. Esta información debe ser entregada al dueño u operador de este equipo.

Contenido

Sección 1. Información de seguridad..... 52

Sección 2. Descripción del sistema..... 53

- 2.1 Especificaciones eléctricas.....53
- 2.2 Esquemas de cableado eléctrico.....54

Sección 3. Instrucciones de instalación..... 58

- 3.1 Materiales y herramientas58
- 3.2 Instalación de la caja de control58
- 3.3 Modificación del cableado para funcionamiento a 110 voltios59
- 3.4 Conexión a tierra59
- 3.5 Instalación de la válvula.....59
- 3.6 Instalación del sensor60
- 3.7 Esquemas de instalación.....61

Sección 4. Operación 64

- 4.1 K-1100, LEV110CK/2G y LX2.....64
- 4.2 K-230065
- 4.3 Modo de bloqueo de seguridad de llenado65
- 4.4 Tiempo de llenado antes del bloqueo66

Sección 5. Resolución de problemas 67

- 5.1 Control manual de la válvula67
- 5.2 Observaciones iniciales en el lugar de trabajo.....67
- 5.3 Operación de prueba de la unidad de control67
- 5.4 La función llenado no se apaga.....68
- 5.5 La función llenado no se enciende69

Sección 6. Repuestos 70

- 6.1 Información para realizar pedidos70

Sección 1. Información de seguridad

INSTRUCCIONES DE SEGURIDAD IMPORTANTES REFERENTES A DAÑOS MATERIALES O LESIONES. LEA Y SIGA TODAS LAS INSTRUCCIONES

Cuando se instale y utilice este equipo, siempre se deberán seguir las siguientes precauciones básicas de seguridad:

ADVERTENCIA

PARA SU SEGURIDAD. Solo un técnico profesional cualificado en instalación y mantenimiento de piscinas/spas debe llevar a cabo la instalación y el mantenimiento de este producto. La instalación o la operación inadecuadas pueden causar lesiones, daños materiales o la muerte. Si la instalación o la operación se llevan a cabo incorrectamente, la garantía se anulará.

ADVERTENCIA

Antes de instalar este producto, lea y observe todas las advertencias y las instrucciones que se proporcionan con el producto. Si no se observan las advertencias de seguridad y las instrucciones, es posible que se produzcan lesiones graves, muerte, o daños materiales.

ADVERTENCIA

Para reducir el riesgo de lesiones, no permita que los niños usen este producto sin el estricto control de un adulto.

ADVERTENCIA



Riesgo de descarga eléctrica - Instale la caja de control por lo menos a cinco (5) pies (152.4 cm) de la pared interna de la piscina o tina de hidromasajes utilizando tuberías que no sean metálicas. Las instalaciones en Canadá deben hacerse por lo menos a tres (3) metros del agua.

Los niños no deben usar el spa o la tina de hidromasajes sin el control de un adulto.

No utilice el spa o la tina de hidromasajes si no están instaladas todas las tapas de succión para evitar que el cabello o alguna parte del cuerpo queden atrapados.

Las personas que estén tomando medicamentos o posean antecedentes médicos desfavorables deben consultar al médico antes de utilizar el spa o la tina de hidromasajes.

ADVERTENCIA

A fin de reducir el riesgo de descargas eléctricas, conecte el cable verde de puesta a tierra con la marca  a la puesta a tierra de su tablero de distribución o suministro eléctrico, con un conductor de cobre continuo con aislamiento verde. Debe tener un calibre equivalente a los conductores del circuito suministrados con este equipo pero no inferior a un calibre n.º 12 AWG (3.3 mm). Este cable de puesta a tierra con la marca  is provided within the control box.



Atención instalador: Instale el equipo de manera que el compartimiento para los componentes eléctricos tenga suficiente drenaje.



ATENCIÓN INSTALADOR: Este manual contiene información importante acerca de la instalación, la operación y la utilización seguras de este producto. Esta información debe ser entregada al dueño u operador de este equipo.

GUARDE ESTAS INSTRUCCIONES

Sección 2. Descripción del sistema

Los modelos K-1100, LEV110CK/2G y LX2 de Levolor® son dispositivos controlados por computadora que detectan niveles bajos de agua y reponen el agua automáticamente hasta alcanzar el nivel preestablecido. Pueden utilizarse en toda clase de piscinas y spas.

LEV110CK/2G está diseñado para su uso en instalaciones comerciales de gran tamaño.

El modelo K-2300 de Levolor II es un dispositivo de llenado doble que puede mantener el nivel del agua en dos (2) instalaciones separadas, como por ejemplo una combinación de piscina y spa u otras instalaciones dobles. Puede utilizarse en cualquier situación en la que se desee mantener un nivel de líquido uniforme.

El kit de Levolor contiene un sensor, una caja de control y una válvula solenoide. El kit de Levolor II contiene dos (2) sensores, una caja de control y dos (2) válvulas solenoides.

Para mayor información, consulte la *Sección 3.1, Materiales y herramientas*.

Sensor

Hay tres (3) clases de sensores:

1. Sensor deslizante - para instalación en tubería estática en piscinas nuevas.
2. Sensor superficial - para instalación en filtros superficiales de piscinas existentes (también denominado sensor de medialuna).
3. Sensor doble (tipo deslizante en un extremo y tipo superficial en el otro extremo).

NOTA Se puede instalar un sensor roscado opcional en una piscina nueva con tubería fija.

Según el modelo, el sensor viene con cable de entre 50 a 500 pies en la parte superior y dos (2) contactos de acero inoxidable en la parte inferior. Se puede cortar la parte del cable del sensor que no se utilice.

Caja de control

Las cajas de control de K-1100, LX2 y LEV110CK/2G poseen tres (3) indicadores LED: Power (Energía), Sensor (Sensor) y Filling (Llenado). La caja de control de K-2300 posee cinco (5) indicadores LED: Power (Energía), Sensor I (Sensor I), Filling I (Llenado I), Sensor II (Sensor II) y Filling II (Llenado II). Para mayor información, consulte la *Sección 4. Operación*.

K-1100, K-2300 y LEV110CK/2G poseen cableado de fábrica para funcionar con 220 voltios. Para funcionar con 110 voltios es necesario modificar el cableado. LX2 viene en una unidad de 220 voltios y una unidad de 110 voltios.

Válvula

K-1100, LX2 y LEV110CK/2G necesitan una (1) válvula, y K-2300 necesita dos (2) válvulas.

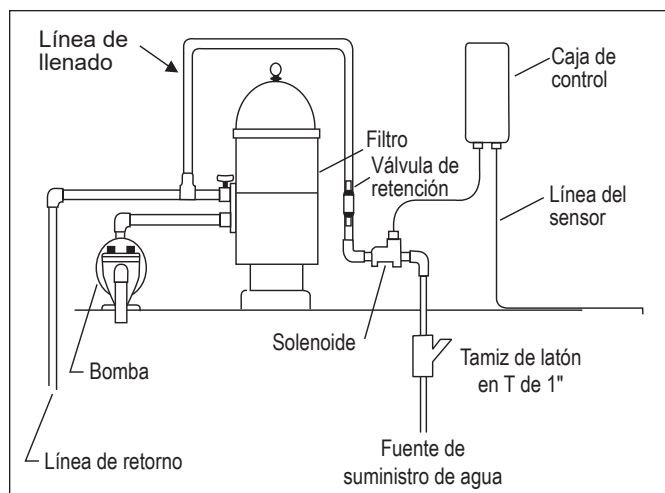


Figura 1. Instalación de K-1100 o LEV110CK/2G

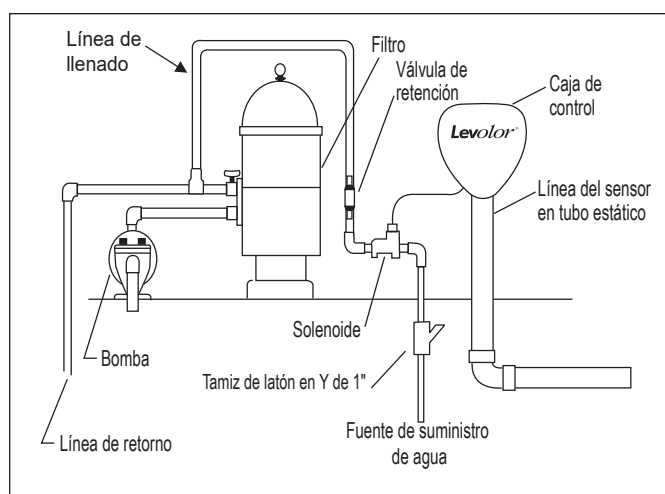


Figura 2. Instalación de LX2

K-1100, LX2 y K-2300 utilizan una válvula de 1" (n.º de pieza SOL100). Cuenta con una calificación nominal de presión que no puede superar 125 PSI.

LEV110CK/2G utiliza una válvula de 2" (n.º de pieza SOL200). Cuenta con una calificación nominal de presión que no puede superar 150 PSI.

2.1 Especificaciones eléctricas

Modelos K-1100, LX2, K-2300 y LEV110CK/2G

Entrada: 110 V CA, 50/60 HZ, 0.5 AMPS
220 V CA, 50/60 HZ, 0.5 AMPS

Salida: 24 V CA a 1 AMP

⚠ PRECAUCIÓN

Los modelos K-1100, K-2300 y LEV110CK/2G poseen un cableado de fábrica para funcionar con 220 V CA. Si el suministro eléctrico disponible es de 110 V CA, el cableado de alimentación debe modificarse para funcionar con 110 V CA como se muestra en las figuras 4 y 5.

2.2 Esquemas de cableado eléctrico

Esta sección contiene los esquemas de cableado eléctrico de K-1100, K-2300 y LEV110CK/2G y vistas detalladas del cableado de fábrica para 220 V CA y el cableado modificado para 110 V CA. La sección también contiene un esquema de cableado para LX2 y vistas detalladas del cableado de fábrica para las unidades de 220 V CA y 110 V CA.

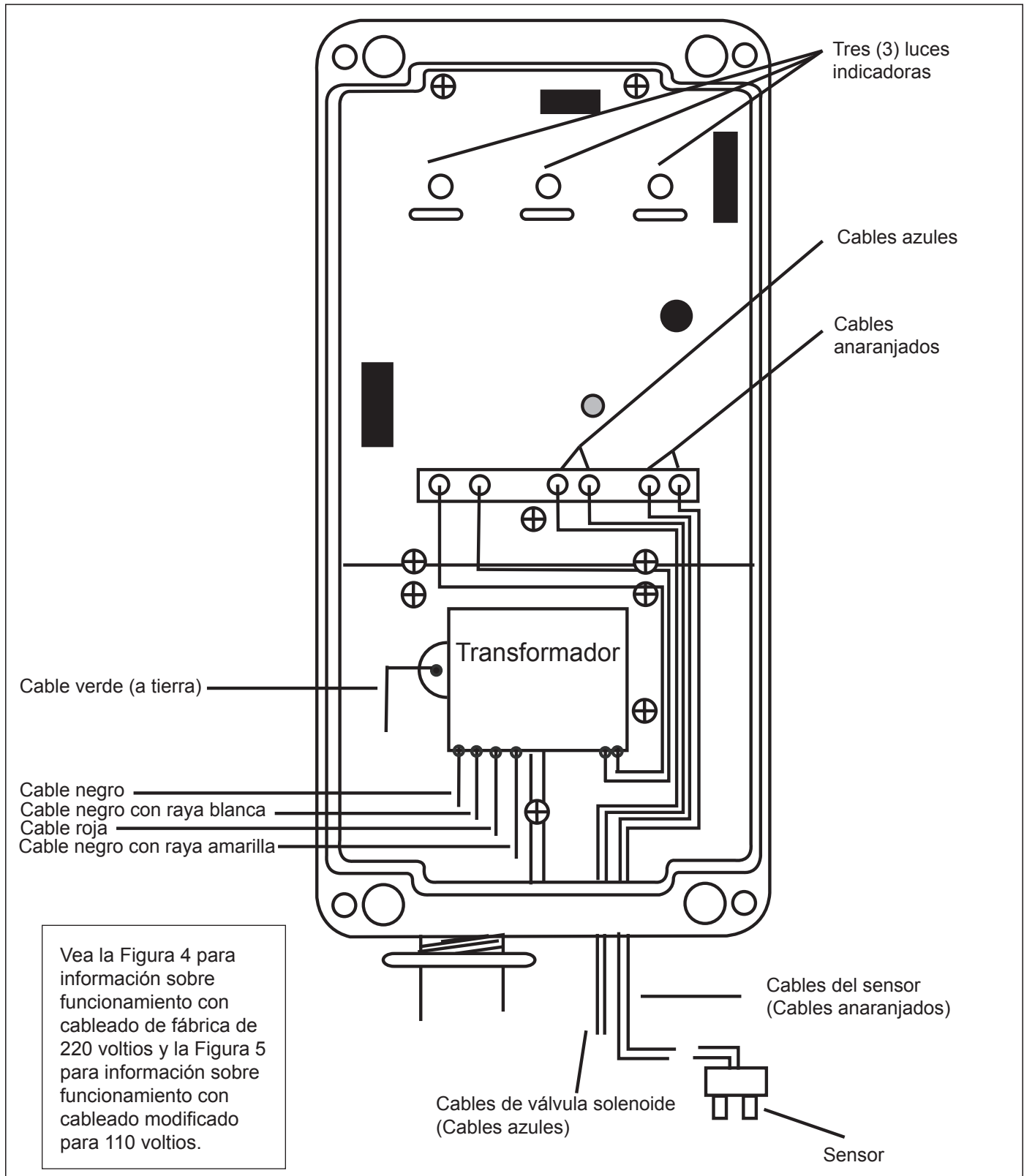


Figura 3. Caja de control de K-1100 y LEV110CK/2G

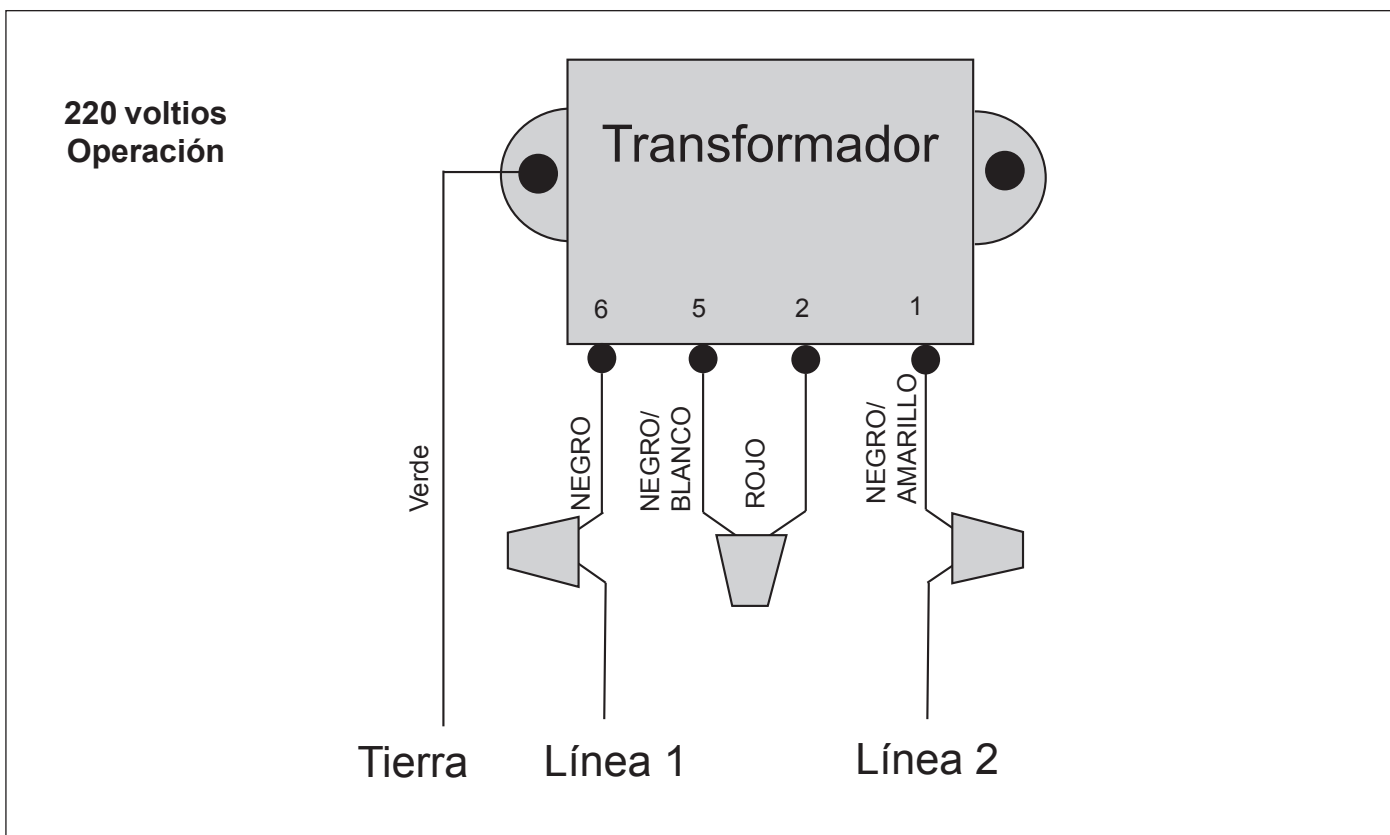


Figura 4. K-1100, K-2300 y LEV110CK/2G con cableado de fábrica para funcionar a 220 voltios

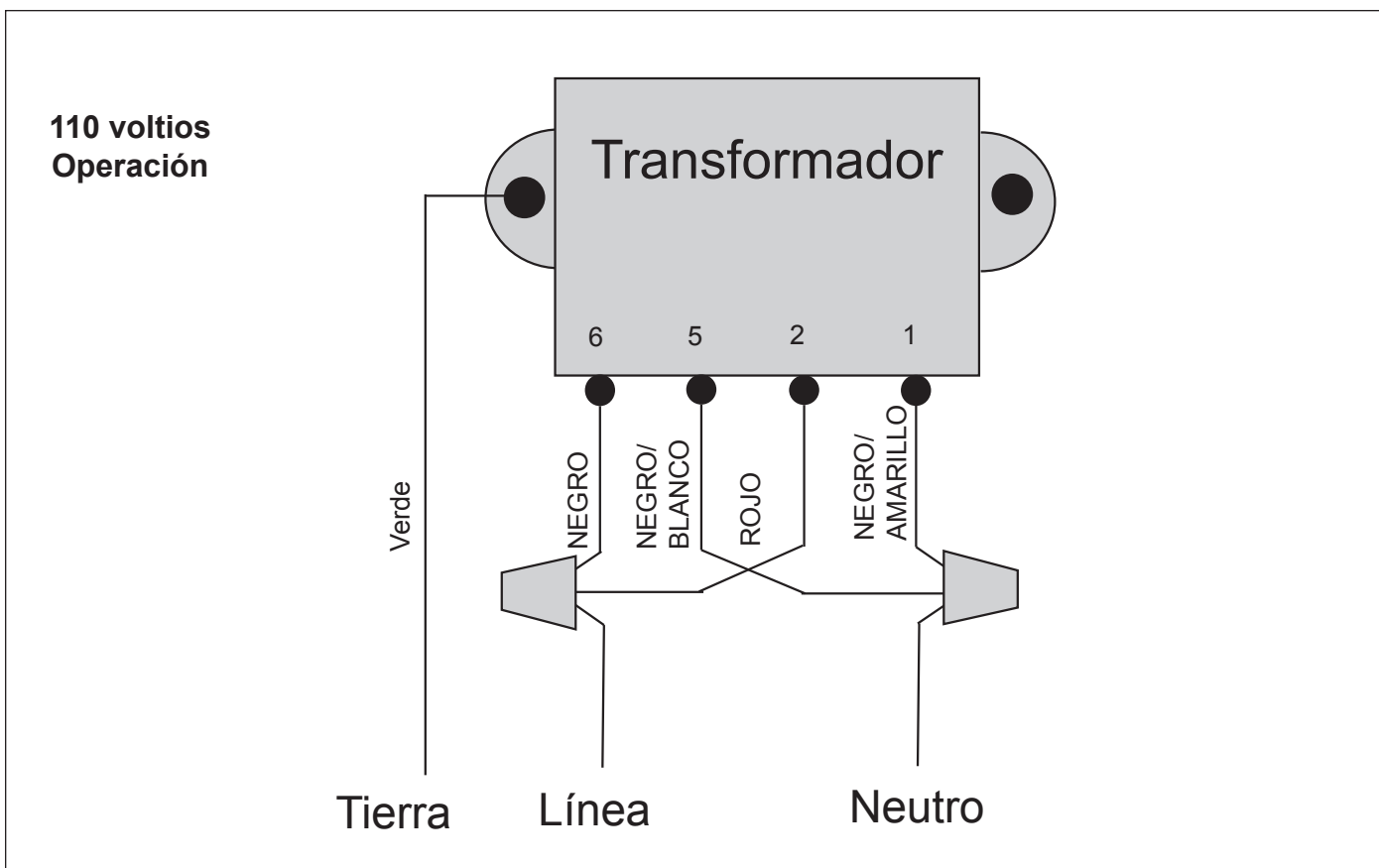


Figura 5. K-1100, K-2300 y LEV110CK/2G con cableado modificado para funcionar a 110 voltios

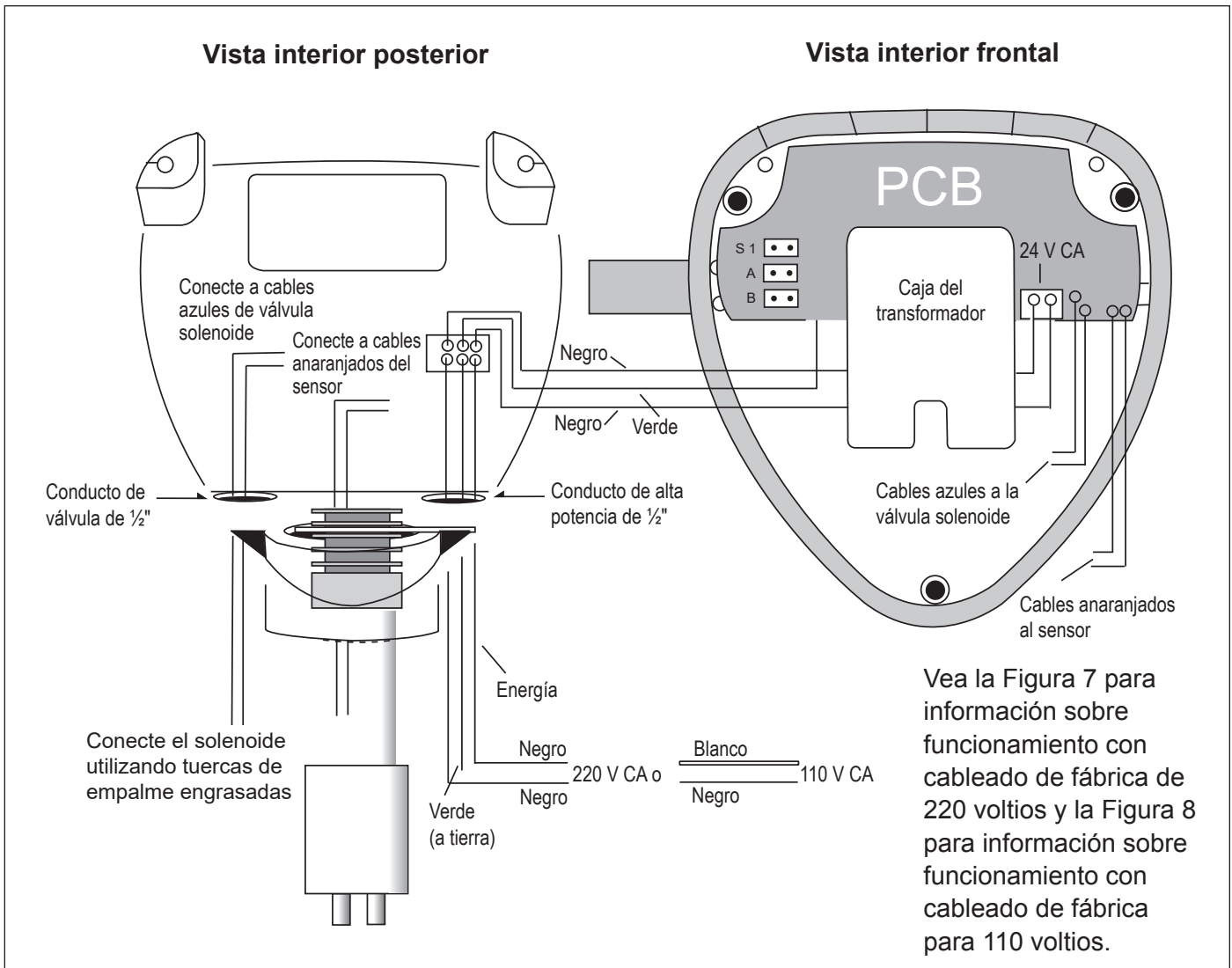


Figura 6. Caja de control de LX2

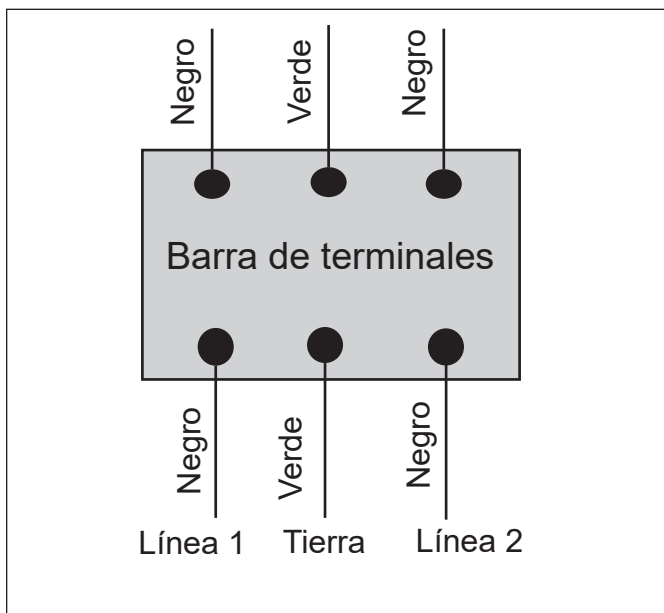


Figura 7. Cableado de fábrica de LX2 para unidad de 220 voltios

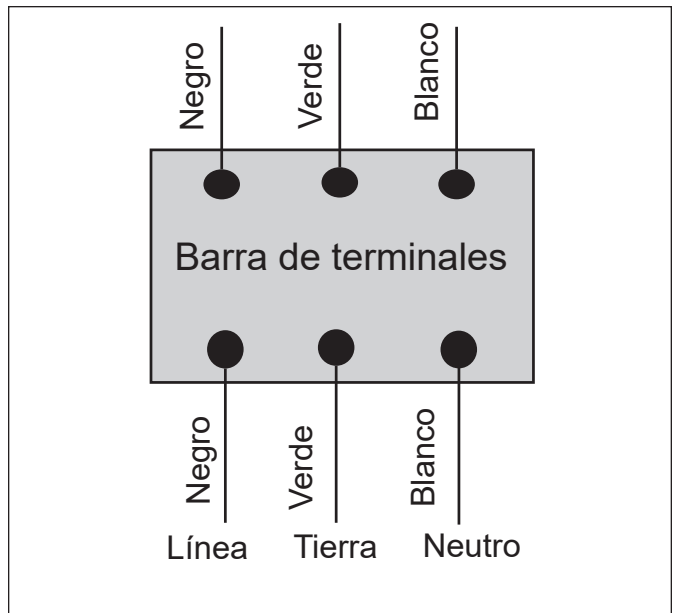


Figura 8. Cableado de fábrica de LX2 para unidad de 110 voltios

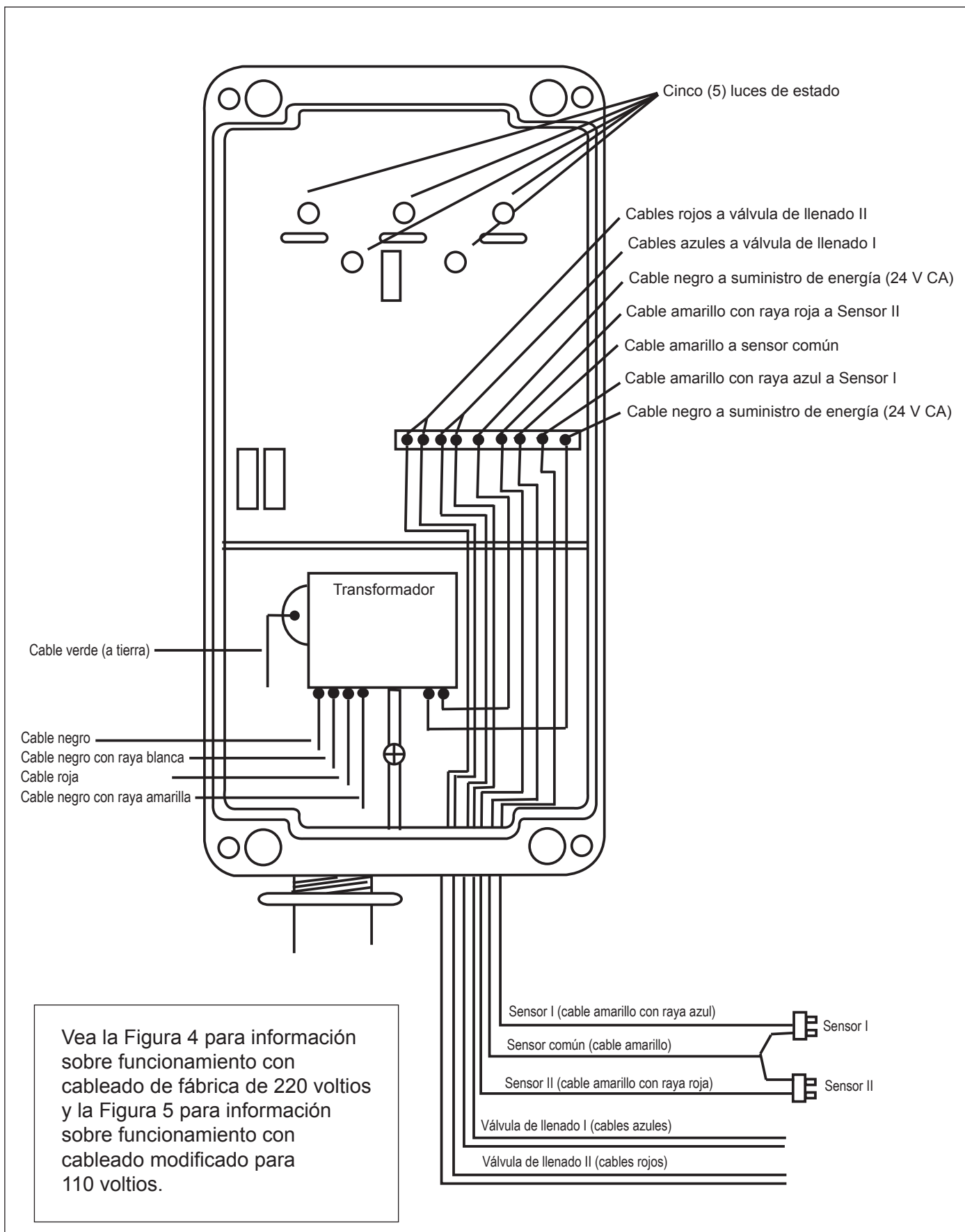


Figura 9. Caja de control de K-2300

Sección 3. Instrucciones de instalación

3.1 Materiales y herramientas

Materiales para la instalación suministrados para Levolor® modelos K-1100, LX2 y LEV110CK/2G	Cant.
Sensor con cable	1
Válvula solenoide	1
Acoplamiento	1
Caja de control	1
Alojamiento remoto para el sensor	1
Kit de accesorios de montaje	1
Tuercas de empalme engrasadas para la válvula	2 por kit
Tornillos	4 por kit
Anclajes	4 por kit
Manual del propietario - Información sobre la garantía	1

Materiales para la instalación suministrados para el modelo K-2300 de Levolor II	Cant.
Sensor con cable	2
Válvula solenoide	2
Acoplamiento	2
Caja de control	1
Alojamiento remoto para el sensor	2
Kit de accesorios de montaje	2
Tuercas de empalme engrasadas para la válvula	2 por kit
Tornillos	4 por kit
Anclajes	4 por kit
Manual del propietario - Información sobre la garantía	1

Materiales adicionales necesarios para la instalación
Válvula antisifón*
Cable subterráneo de 2 conductores de núcleo macizo, calibre 18
Tuercas de empalme para el sensor y para las conexiones al suministro de energía

*La válvula antisifón no es necesaria si se realiza la conexión desde el sistema de riego.

Abra la caja y verifique que contenga los elementos antes mencionados. De no ser así, comuníquese con el distribuidor o con el soporte técnico de Zodiac al número (800) 822-7933.

3.2 Instalación de la caja de control

NOTA Cuando instale un Levolor en un spa (con una superficie inferior a 300 pies cuadrados), gire la perilla de control de flujo para reducir el caudal de la válvula.

Modelos K-1100, K-2300 y LEV110CK/2G

- Monte la caja de control en la pared cerca de la bomba y el filtro. Consulte la Figura 1. **No instale la caja de control a una distancia igual o inferior a 10 pies (3 m) de los bordes de la piscina.**
- Monte la caja de control a la altura de los ojos. Deje espacio libre suficiente alrededor de la placa posterior del chasis.
- Controle el voltaje fuente. (Las tres (3) unidades poseen cableado de fábrica para funcionar a 220 voltios). Consulte la *Sección 3.3* para modificar el cableado para el funcionamiento a 110 voltios.
- Para el funcionamiento a 220 voltios, conecte el cable negro a la línea 1 y conecte el cable negro con raya amarilla a la línea 2. Consulte la Figura 4.

Modelo LX2

- Monte la caja de control en la tubería estática donde está instalado el sensor. Consulte la Figura 2.
- Controle el voltaje fuente. (Hay unidades separadas para el funcionamiento a 220 y 110 voltios).
 - Para el funcionamiento a 220 voltios, conecte uno (1) de los cables negros a la línea 1 y el otro cable negro a la línea 2. Consulte la Figura 7.
 - Para el funcionamiento a 110 voltios, conecte el cable blanco a la línea blanca del neutro. Después, conecte el cable negro a la línea negra de suministro eléctrico. Consulte la Figura 8.

3.3 Modificación del cableado para funcionamiento a 110 voltios

⚠ ADVERTENCIA


Posibles voltajes altos en la caja de control Levolor® pueden ocasionar riesgos eléctricos peligrosos que podrían causar la muerte, lesiones graves o daños materiales. Desconecte el suministro eléctrico desde el disyuntor principal que suministra energía eléctrica a la caja de control a fin de desconectar la caja de control del sistema. Para realizar el cableado de manera adecuada y segura, verifique el cumplimiento de los requisitos pertinentes de National Electrical Code (NEC), NFPA 70 o Canadian Electrical Code (CEC), CSA C22.1. También deben cumplirse los códigos locales de instalación pertinentes.

Modelos K-1100, K-2300 y LEV110CK/2G

Consulte las Figuras 4 y 5 y haga lo siguiente:

1. Corte el casquillo de empalme que conecta los cables negro/blanco y rojo. Consulte la Figura 4.
2. Conecte el cable rojo con el cable negro y conéctelos al lado de la línea del suministro de energía. Consulte la Figura 5.
3. Conecte el cable negro/blanco con el cable negro/amarillo y conéctelos al lado neutro del suministro de energía. Consulte la Figura 5.

3.4 Conexión a tierra

Conecte el cable verde de puesta a tierra con la marca  a la puesta a tierra de su tablero de distribución o suministro eléctrico con un conductor de cobre continuo con aislamiento verde. Debe tener un calibre equivalente a los conductores del circuito suministrados con este equipo pero no inferior a un calibre n.º 12 AWG (3.3 mm). Consulte los códigos locales para determinar el calibre aceptado del cable de puesta a tierra.

3.5 Instalación de la válvula

NOTA Instale la válvula con la flecha de dirección del flujo de agua apuntando en la dirección correcta. La flecha de dirección del flujo de agua está ubicada del lado de la entrada de la válvula.

Una válvula solenoide de 24 V CA proporcionará agua desde una línea de suministro a la piscina o spa. Puede instalar la línea de suministro antes o después del filtro en la base del equipo o en una línea exclusiva de retorno a la piscina.

K-1100, LX2 y K-2300 usan una válvula de 1" y LEV110CK/2G usa una válvula de 2". Además, Zodiac recomienda utilizar una válvula antisifón (para ayudar a evitar el drenaje accidental de la piscina) y una depuradora en línea, que puede adquirir en Zodiac.

1. Conecte la válvula solenoide de agua de 24 V CA al cable subterráneo de núcleo macizo calibre n.º 18 utilizando las tuercas de empalme engrasadas suministradas.
2. Conecte el otro extremo según el modelo que se está instalando, de acuerdo con las siguientes instrucciones:

Modelos K-1100, LX2 y LEV110CK/2G: Conecte los cables de la válvula con los cables azules de la caja de control utilizando las tuercas de empalme.

Modelo K-2300: Conecte los cables de la válvula I con los cables azules de la caja de control utilizando las tuercas de empalme. Conecte los cables de la válvula II con los cables rojos de la caja de control utilizando las tuercas de empalme.

3. Gire la perilla de control de flujo (+) en la parte superior de la válvula (vea la Figura 10) para establecer el caudal de acuerdo con sus especificaciones.

NOTA Se puede establecer un caudal de hasta 30 GPM para K-1100, LX2 y K-2300. Se puede establecer un caudal de hasta 130 GPM para LEV110CK/2G.

4. Coloque la palanca ON/OFF (Encendido/Apagado) manual, ubicada debajo del solenoide, en posición OFF (Apagado), para que solo se pueda abrir con el nivelador de agua electrónico Levolor. Consulte la Figura 11.

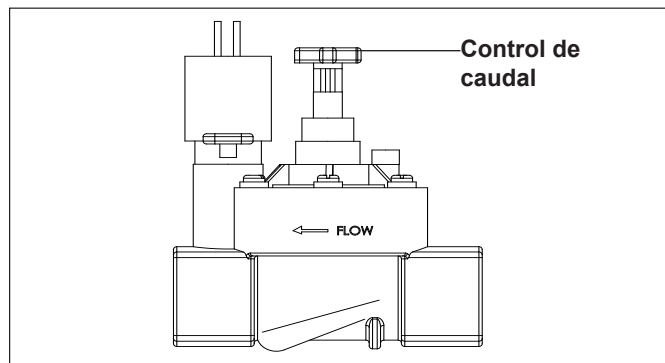


Figura 10. Controlador de caudal de la válvula

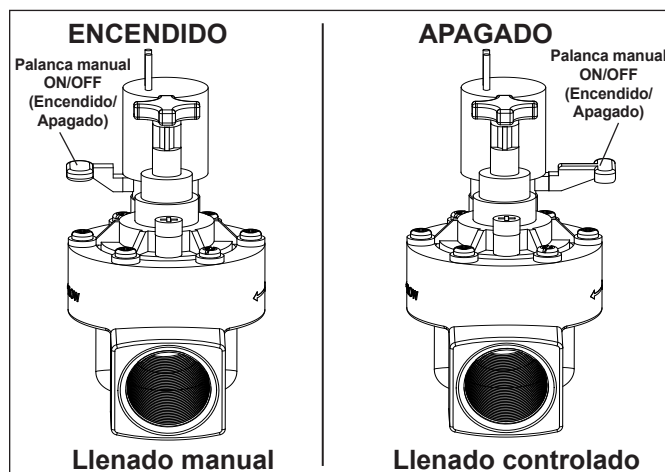


Figura 11. Palanca manual de la válvula

3.6 Instalación del sensor

NOTA Si utiliza un sensor doble, corte y deseche el sensor que no va a utilizar. Consulte la Figura 12.

⚠ PRECAUCIÓN

Instrucciones importantes de seguridad.

Los cables del sensor deben ser continuos sin empalmes. Suelde todas las conexiones de cables de bajo voltaje cuando fuera posible y siempre utilice tuercas de empalme engrasadas en la conexiones de bajo voltaje.

1. Instale el sensor en la ubicación adecuada según el tipo de sensor.
 - a. Monte el sensor superficial (medialuna) de manera horizontal en un filtro superficial existente. Móntelo con Velcro o un adhesivo adecuado en el cuello del filtro superficial detrás de la compuerta. Consulte las Figuras 13 y 15.
 - b. Monte el sensor deslizante en posición vertical en un tubo estático. Adhiera el sensor al acoplamiento. Consulte las Figuras 14 y 16.

NOTA Atornille el sensor roscado opcional a un acoplamiento roscado de 1".

NOTA Cuando utilice el método de tubería estática, pegue únicamente todos los acopladores de 1". No adhiera los acopladores de 2". Adhiera todos los acopladores con adhesivo adecuado para ABS/PVC: 793 marca IPS para ABS/PVC.

2. Conecte los cables del sensor de la siguiente manera:

Modelos K-1100, LX2 y LEV110CK/2G:

Conecte el cable del sensor a los dos (2) cables anaranjados en la caja de control utilizando las tuercas de empalme. Consulte las Figuras 3 y 6.

Modelo K-2300:

- a. Conecte un (1) cable del sensor I y un (1) cable del sensor II al cable común amarillo del sensor utilizando tuercas de empalme. Consulte la Figura 9.
- b. Conecte el otro cable del sensor I al cable amarillo con raya azul utilizando tuercas de empalme. Consulte la Figura 9.
- c. Conecte el otro cable del sensor II al cable amarillo con raya roja utilizando tuercas de empalme. Consulte la Figura 9.

NOTA Para todos los modelos, el cable hacia los sensores debe ser continuo. Los cables no pueden tener empalmes.

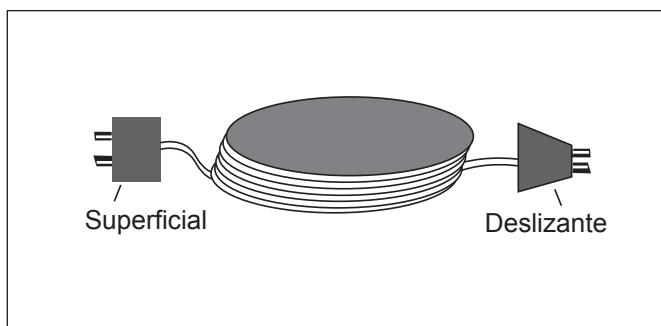


Figura 12. Sensor doble

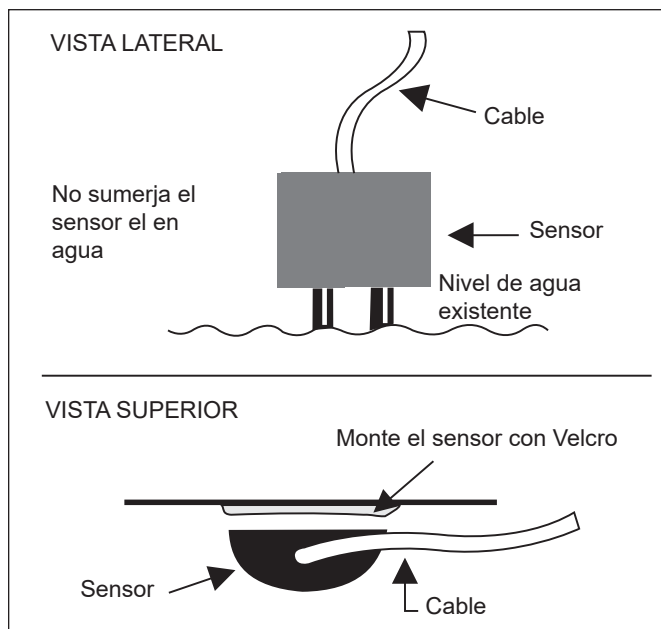


Figura 13. Instalación con adaptación del sensor superficial (medialuna)

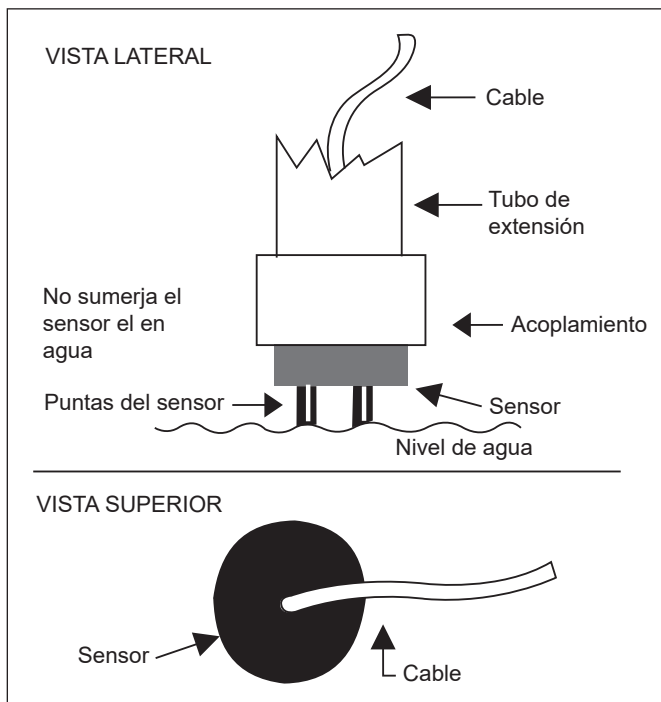


Figura 14. Instalación del sensor deslizante

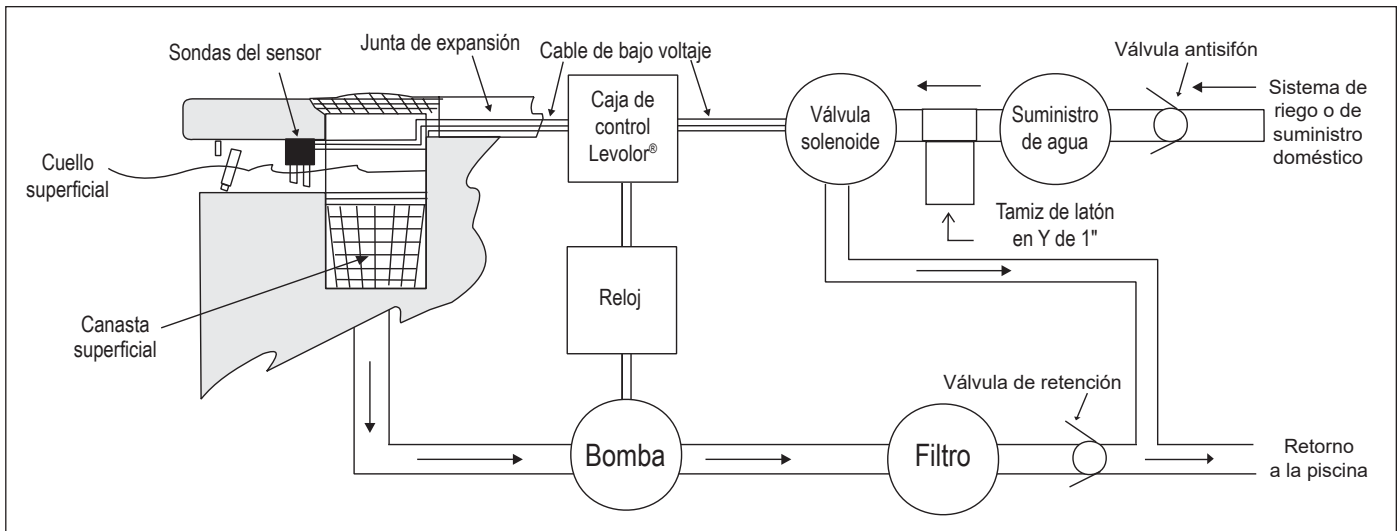


Figura 15. Instalación del sensor superficial (medialuna) en filtros superficiales de piscinas existentes

3.7 Esquemas de instalación

Esta sección contiene esquemas y detalles para instalación de sensores tipo superficial (medialuna) y deslizantes. Son los siguientes:

- Sensor superficial (medialuna) para instalación en filtros superficiales en piscinas existentes
- Sensor deslizante en tubería estática en piscina nueva
- Detalle del sensor deslizante
- Detalle del sensor deslizante en alojamiento remoto
- Detalle de instalación de tapa de plataforma
- Instalación de LX2 en tubería estática en piscina nueva
- Detalle de instalación de sensor deslizante en LX2

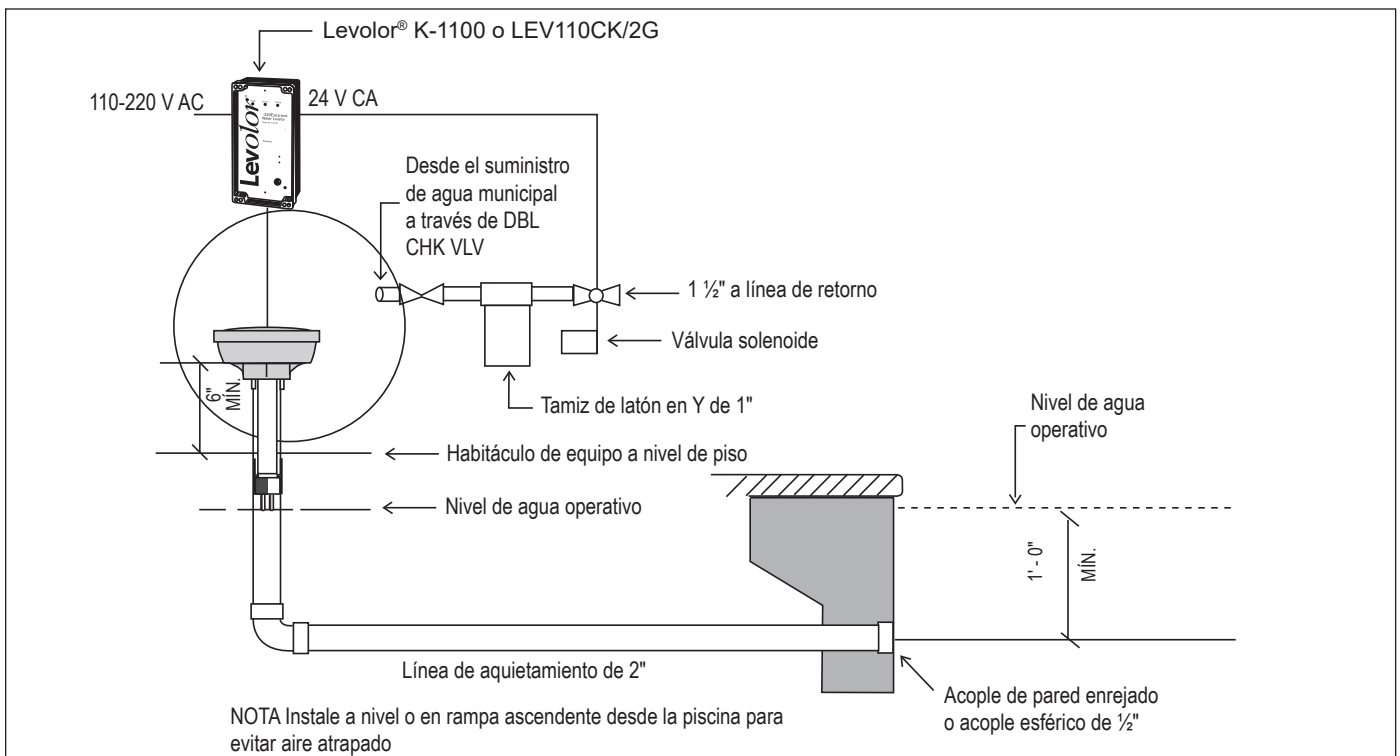


Figura 16. Sensor deslizante para instalación en tubería estática de piscina nueva

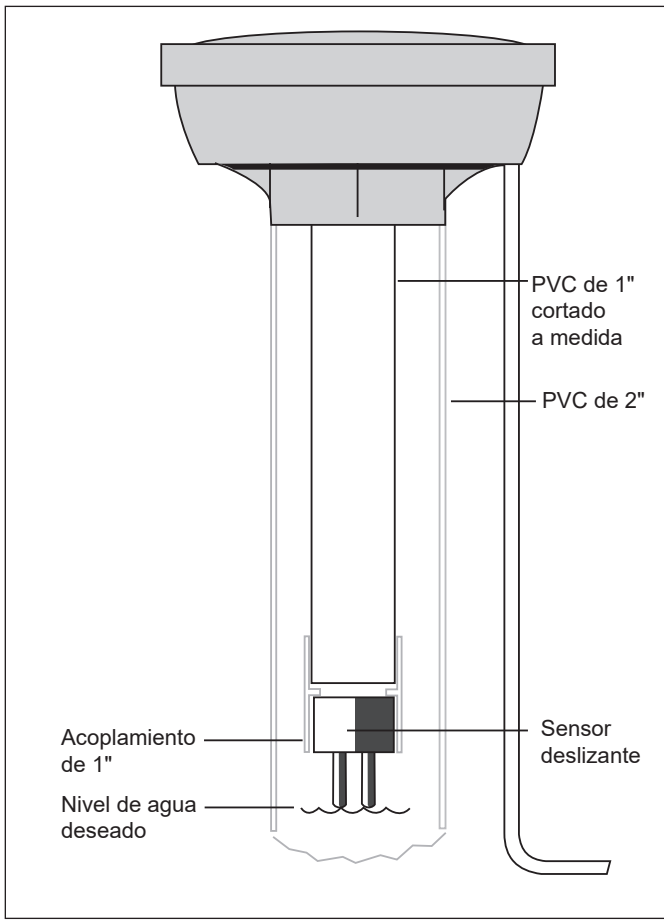


Figura 17. Detalle del sensor deslizante

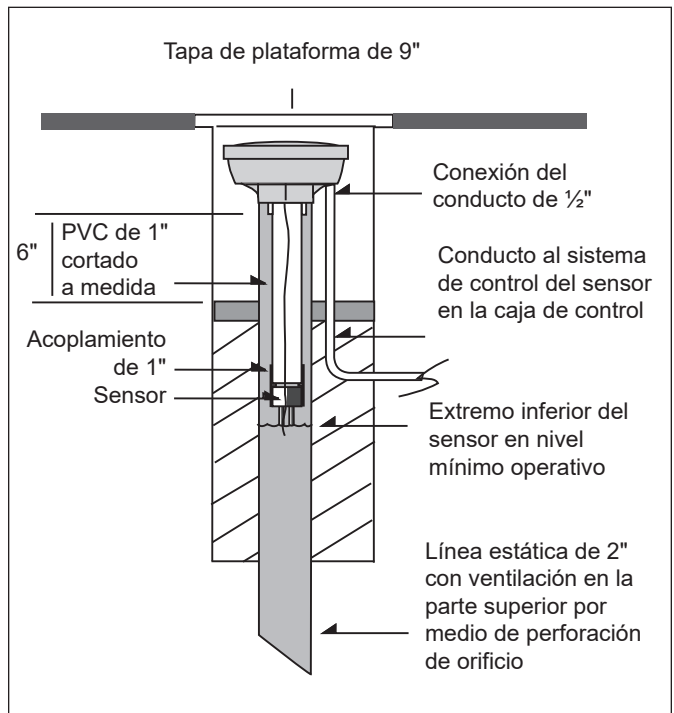


Figura 19. Detalle de instalación de tapa de plataforma

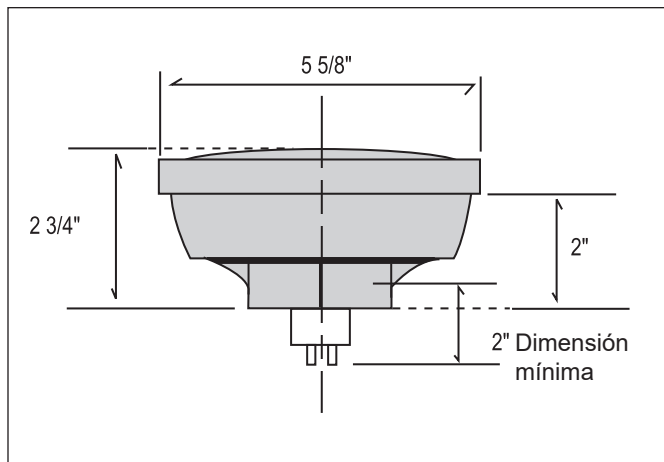


Figura 18. Detalle del sensor deslizante en alojamiento remoto

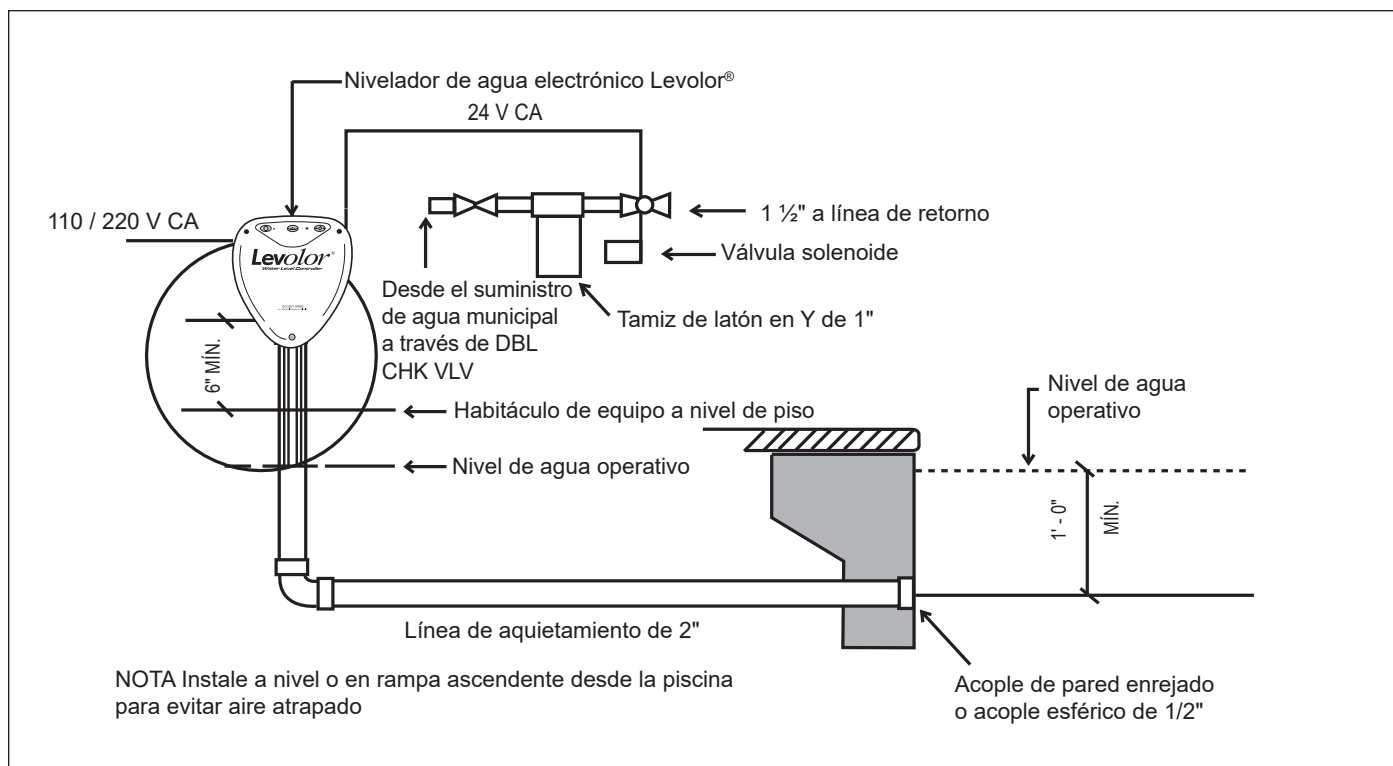


Figura 20. LX2 en instalación en tubería estática de piscina nueva

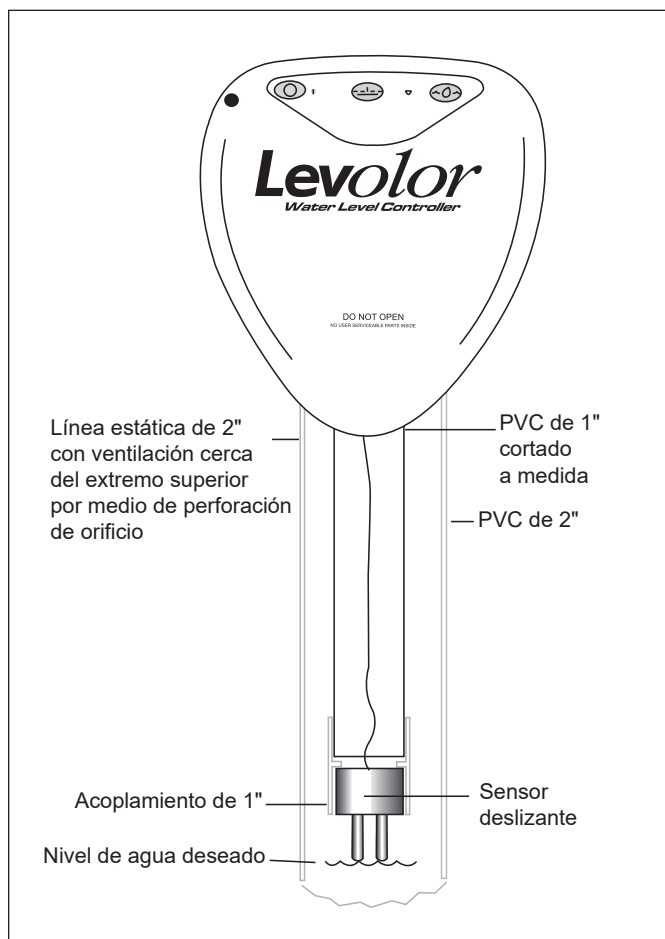


Figura 21. Detalle de instalación de sensor deslizante en LX2

Sección 4. Operación

4.1 K-1100, LEV110CK/2G y LX2

Los controladores de K-1100 y LEV110CK/2G (vea la Figura 22) y LX2 (vea la Figura 23) poseen tres (3) luces indicadoras cada uno. Consulte las figuras y la Tabla 1.

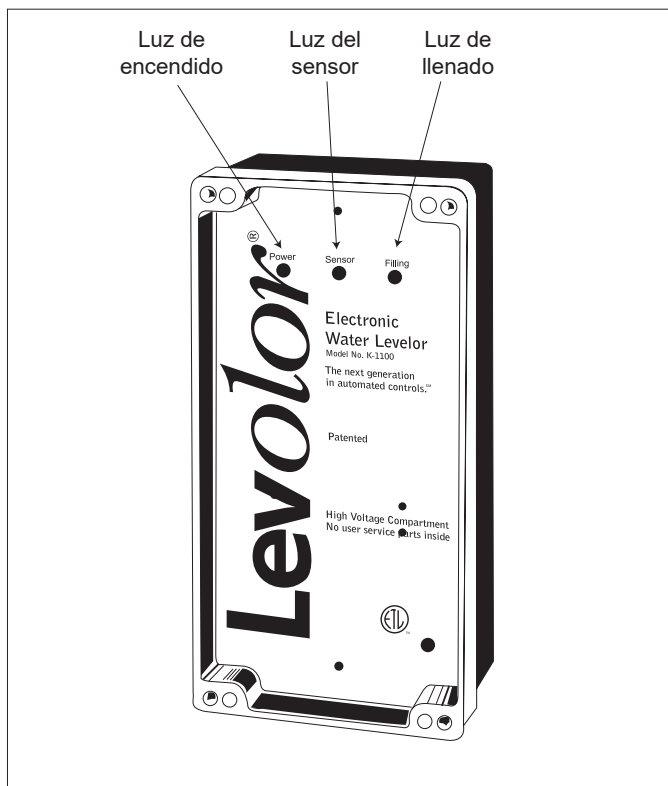


Figura 22. Luces del controlador de K-1100 y LEV110CK/2G

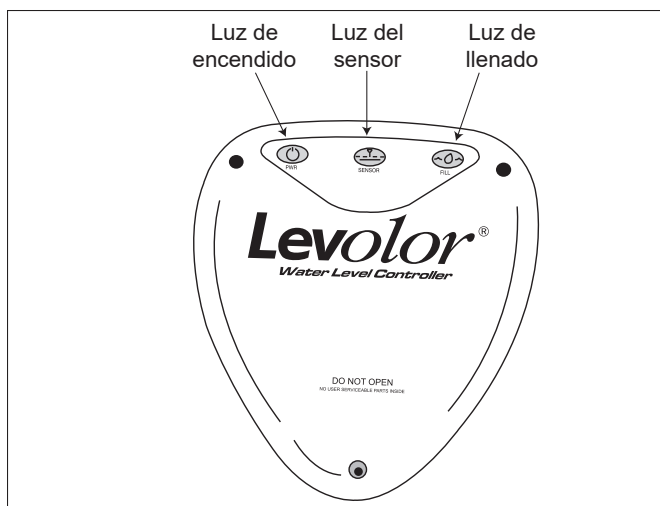


Figura 23. Luces del controlador de LX2

La luz Power (Energía) se torna verde cuando la unidad está encendida. La luz Sensor (Sensor) se torna amarilla cuando el agua no está tocando las puntas del sensor.

La luz Filling (Llenado) se torna verde 20 segundos después de que se ilumina la luz del sensor, lo que indica que la válvula está en funcionamiento y está llenando. La luz Filling (Llenado) se apaga cuando la piscina está llena.

La luz Filling (Llenado) se torna roja cuando la unidad entra en modo bloqueo de llenado de seguridad. Esto sucede cuando el llenado de la piscina toma más tiempo que el asignado (20, 40 o 60 minutos). Para mayor información, consulte la Sección 4.3, Modo bloqueo de llenado de seguridad.

NOTA El período asignado a LEV110CK/2G para el llenado es de una (1), dos (2) o tres (3) horas. Consulte la Tabla 1.

LED	Función	Color	Modo de funcionamiento	Demora para encender la función	Demora para apagar la función
Encendido	Enciende el equipo	Verde	Está encendido	Ninguno	Ninguno
Sensor	Detecta bajo nivel de agua	Amarillo	El nivel de agua es bajo	Ninguno	Ninguno
Llenado de K-1100 y LX2	Llenar la piscina	Verde	Válvula de llenado encendida	20 segundos después de encendida la luz del sensor	20 segundos después de apagada la luz del sensor
	Bloqueo de seguridad	Rojo	Válvula de llenado apagada	20, 40 o 60 minutos	24 horas
Llenado de LEV110CK/2G	Llenar la piscina	Verde	Válvula de llenado encendida	20 segundos después de encendida la luz del sensor	20 segundos después de apagada la luz del sensor
	Bloqueo de seguridad	Rojo	Válvula de llenado apagada	1, 2 o 3 horas	24 horas

Tabla 1. Indicadores LED para K-1100, LX2 y LEV110CK/2G

4.2 K-2300

El controlador de K-2300 posee cinco (5) luces indicadoras. Vea la Figura 24 y consulte la Tabla 2. La luz Power (Energía) se torna verde cuando la unidad está encendida. La luz Sensor I (Sensor I) se torna amarilla cuando el agua no está tocando las puntas del sensor I.

Veinte segundos más tarde, la luz Filling I (Llenado I) se torna verde, lo que indica que la válvula I está en funcionamiento y está llenando. La luz se apaga cuando la piscina está llena y se torna roja cuando la válvula I entra en modo de bloqueo de seguridad.

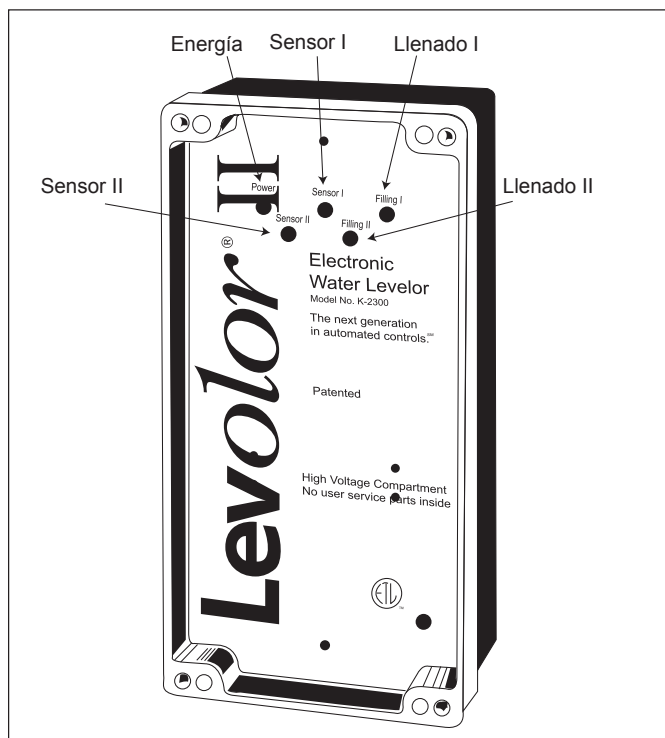


Figura 24. Luces del controlador de K-2300

La luz Sensor II (Sensor II) se torna amarilla cuando el agua no está tocando las puntas del sensor II. Veinte segundos más tarde, la luz Filling II (Llenado II) se torna verde lo que indica que la válvula II está en funcionamiento y está llenando. La luz se apaga cuando el spa está lleno y se torna roja cuando la válvula II entra en modo de bloqueo de seguridad.

Observe que K-2300 tiene dos (2) dispositivos de bloqueo de seguridad, uno (1) para la válvula I y otro para la válvula II. Estos dispositivos operan de manera independiente. Una válvula puede entrar en modo de bloqueo de seguridad y la otra válvula puede continuar funcionando normalmente.

4.3 Modo de bloqueo de seguridad de llenado

El modo bloqueo de seguridad de llenado cierra la válvula de llenado I o de llenado II por 24 horas o hasta que la unidad se apague y se restablezca el tiempo de llenado. Cuando la unidad entra en modo de bloqueo, significa que existe un posible problema con el control, el sensor o el sistema de línea de llenado de agua. El período de 24 horas da tiempo para encontrar y solucionar el problema. Si el problema no se soluciona en 24 horas, el control se bloqueará por otras 24 horas.

Los cuatro (4) modelos descritos en este manual están equipados con una secuencia de bloqueo. Esto significa que si el sensor de Levolor® no entra en contacto con el agua dentro del tiempo de llenado preestablecido, el controlador apaga la válvula por 24 horas y cambia la luz verde de llenado I o de llenado II a roja.

El tiempo de llenado preestablecido de fábrica para K-1100, LX2 y K-2300 es de 20 minutos, pero puede modificarse a 40 o 60 minutos. El tiempo de llenado preestablecido de fábrica para LEV110CK/2G es de una (1) hora, pero puede modificarse a dos (2) o tres (3) horas. Consulte la Tabla 1 para tiempos de llenado preestablecidos y modificados. Consulte la Sección 4.4 para instrucciones sobre cómo modificar los tiempos de llenado preestablecidos.

LED	Función	Color	Modo de funcionamiento	Demora para encender la función	Demora para apagar la función
Encendido	Enciende el equipo	Verde	Está encendido	Ninguno	Ninguno
Sensor I	Detecta bajo nivel de agua en la piscina	Amarillo	El nivel de agua en la piscina es bajo	Ninguno	Ninguno
Llenado I	Llenar la piscina	Verde	Válvula de llenado I encendida	20 segundos después de encendida la luz del sensor	20 segundos después de apagada la luz del sensor
	Bloqueo de seguridad	Rojo	Válvula de Llenado I está apagada	20, 40 o 60 minutos	24 horas
Sensor II	Detecta bajo nivel de agua en el spa	Amarillo	El nivel de agua en el spa es bajo	Ninguno	Ninguno
Llenado II	Llenado del spa	Verde	La válvula de llenado II está encendida	20 segundos después de encendida la luz del sensor	20 segundos después de apagada la luz del sensor
	Bloqueo de seguridad	Rojo	La válvula de Llenado II está apagada	20, 40 o 60 minutos	24 horas

Tabla 2. Indicadores LED de K-2300

4.4 Tiempo de llenado antes del bloqueo

Modelos K-1100 y LX2:

Para K-1100 y LX2 el tiempo de llenado predeterminado en fábrica antes del bloqueo de seguridad es de 20 minutos. El tiempo de llenado puede modificarse cortando los puentes como se indica a continuación:

Corte puente	Período de llenado
A o B	40 minutos de llenado antes del bloqueo
A y B	60 minutos de llenado antes del bloqueo

NOTA Para desactivar la función de bloqueo, corte el puente S-1.

Consulte la Figura 26 para ver la ubicación de los puentes de LX2 y la Figura 27 para ver la ubicación de los puentes de K-1100.

Modelo LEV110CK/2G:

El tiempo de llenado predeterminado en fábrica para LEV110CK/2G antes del bloqueo es de una (1) hora. Para modificarlo, corte los puentes como se indica a continuación:

Corte puente	Período de llenado
A o B	2 horas de llenado antes del bloqueo
A y B	3 horas de llenado antes del bloqueo

NOTA Para desactivar la función de bloqueo, corte el puente S-1.

Consulte la Figura 27 para ver la ubicación de los puentes de LEV110CK/2G

Modelo K-2300: El tiempo de llenado predeterminado en fábrica para K-2300 antes del bloqueo es de 20 minutos tanto para Llenado I como para Llenado II. Para modificar los tiempos de llenado, corte los puentes como se indica a continuación:

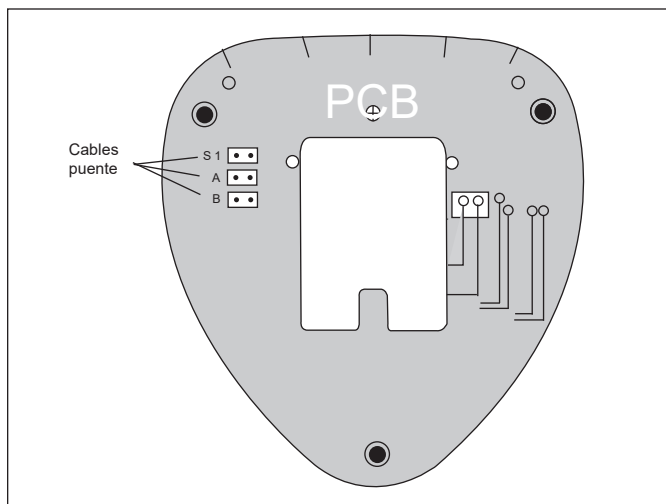


Figura 26. Cables puente de LX2

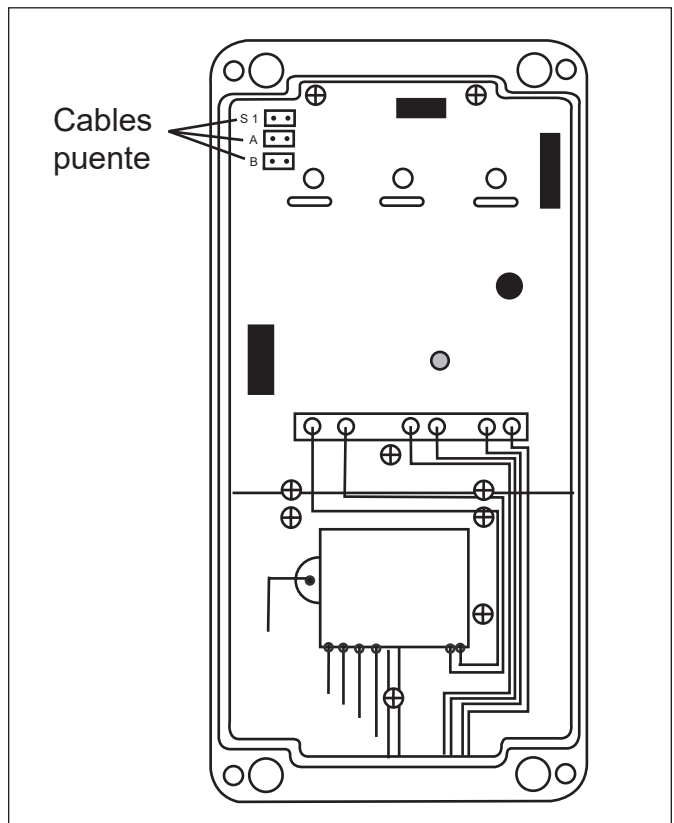


Figura 27. Cables puente de K-1100 y LEV110CK/2G

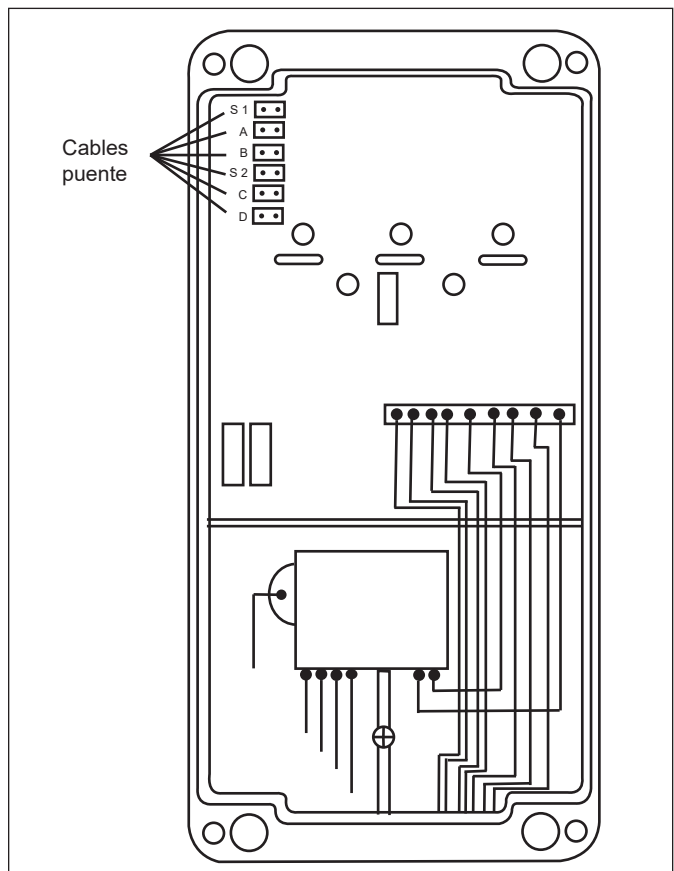


Figura 28. Cables puente de K-2300

Corte puente	Período de llenado
A o B	40 minutos de llenado antes de que Llenado I se bloquee
A y B	60 minutos de llenado antes del bloqueo de Llenado I
C o D	40 minutos de llenado antes del bloqueo de Llenado II
C y D	60 minutos de llenado antes de que Llenado II se bloquee

NOTA Para desactivar el bloqueo del Llenado I, corte el puente S-1. Para desactivar el bloqueo del Llenado II, corte el puente S-2.

Consulte la Figura 28 para ver la ubicación de los puentes de K-2300.

Sección 5. Resolución de problemas

5.1 Control manual de la válvula

Hay una palanca manual con posiciones ON/OFF (Encendido/Apagado) ubicada justo debajo del solenoide. Si tiene un problema con el sistema y desea anular el nivelador de agua electrónico Levolor®, puede abrir la válvula de forma manual colocando la palanca en posición ON (Encendido). Consulte la Figura 11.

Durante el funcionamiento normal, la palanca debe estar en posición OFF (Apagado).

5.2 Observaciones iniciales en el lugar de trabajo

Realice estas observaciones iniciales en el lugar de trabajo.

1. El cable utilizado entre el controlador y la válvula es el adecuado. (Cable subterráneo de núcleo sólido con recubrimiento de polipropileno de calibre no menor a 18). (El mismo cable que el cable del sensor).
2. Las tuercas de empalme en la conexión de la válvula son las adecuadas. (Tuercas de empalme engrasadas o casquillos de gel. Las tuercas de empalme convencionales rellenas de silicona no sirven porque algunas siliconas tienen ácidos que degradan los alambres de cobre).
3. El cable del sensor debe ser continuo y sin empalmes. (No debe haber empalmes entre las puntas y el controlador).
4. Uso adecuado del sensor correspondiente. (Tipo deslizante para tubería estática o tipo superficial (medialuna) para instalaciones con filtros superficiales en las que no hay agua en tránsito proveniente de fuentes, etc.).
5. Voltaje de entrada del suministro eléctrico adecuado hacia la caja.

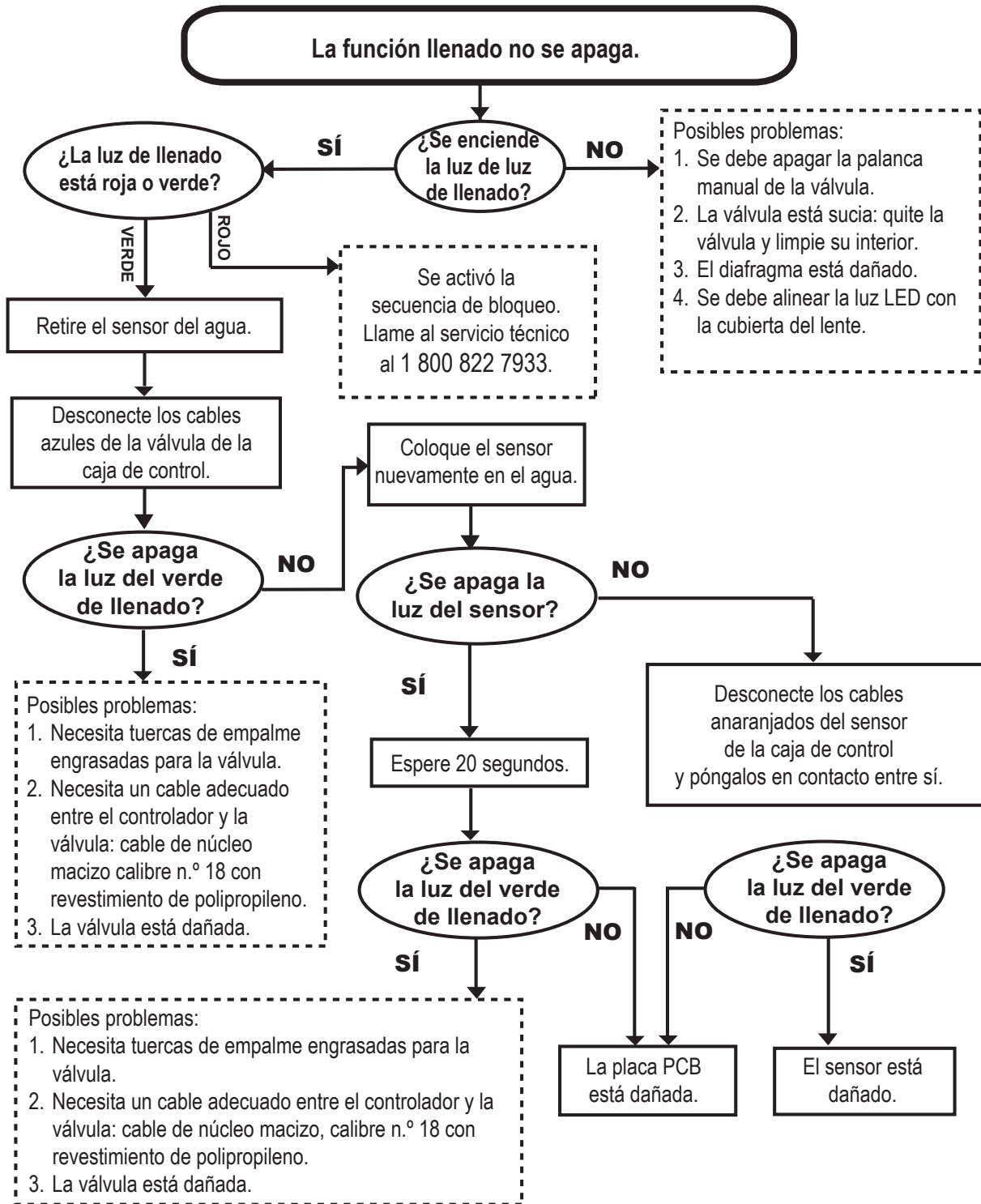
5.3 Operación de prueba de la unidad de control

1. Apague el suministro de energía de la caja de control.
2. Desconecte el sensor de los cables del sensor:
 - a. En los modelos K-1100, LX2 y LEV110CK/2G: Desconecte el sensor de los cables anaranjados en la caja de control.
 - b. En el modelo K-2300: Desconecte el sensor I del cable amarillo con la raya azul y el cable común amarillo en la caja de control. Desconecte el sensor II del cable amarillo con la raya roja y el cable común amarillo en la caja de control.
3. Desconecte la válvula de sus cables, verificando que no se toquen entre ellos o que no toquen la puesta a tierra.
 - a. En los modelos K-1100, LX2 y LEV110CK/2G: Desconecte la válvula de los cables azules en la caja de control.
 - b. En el modelo K-2300: Desconecte la válvula I de los cables azules en la caja de control y desconecte la válvula II de los cables rojos en la caja de control.
4. Restablezca el suministro de energía a la caja de control y observe el funcionamiento. La caja de control está funcionando si se verifican los pasos 5 - 9.
5. La luz Power (Energía) se torna verde.
6. Las luces del sensor se tornan amarillas.
7. Envío de voltaje a la/s válvula/s.
 - a. En los modelos K-1100, LX2 y LEV110CK/2G: Veinte segundo después de que la luz del sensor se torna amarilla, la luz de llenado se torna verde y envía 24 V CA a la válvula por los cables azules.
 - b. En el modelo K-2300: Veinte segundo después de que la luz del sensor I se torna amarilla, la luz de llenado I se torna verde y envía 24 V CA a la válvula I por los cables azules. Veinte segundo después de que la luz del sensor II se torna amarilla, la luz de llenado II se torna verde y envía 24 V CA a la válvula II por los cables rojos.
 - c. Utilice un voltímetro para verificar los 24 V CA en los cables de la caja de control.
8. Conecte los cables del sensor:
 - a. En los modelos K-1100, LX2 y LEV110CK/2G: Conecte los cables anaranjados en la caja de control juntos y la luz amarilla del sensor se apaga inmediatamente. Veinte segundos después la luz verde de llenado se apagará.
 - b. En el modelo K-2300: Conecte el cable amarillo con la raya azul del sensor I junto con el cable común amarillo en la caja de control y la luz amarilla del sensor I se apagará inmediatamente. Veinte segundos después, la luz verde de llenado I se apagará. Conecte el cable amarillo con la raya roja del sensor II junto con el cable común amarillo en la caja de control. La luz del sensor II se apaga inmediatamente. Veinte segundos después la luz de llenado II se apaga.
9. Luego de que se apaguen las luces de llenado, utilice un voltímetro de CA para verificar lo siguiente:
 - a. En los modelos K-1100, LX2 y LEV110CK/2G: El voltaje es 0 en los cables azules en la caja de control.
 - b. En el modelo K-2300: El voltaje es 0 en los cables azules de la válvula I y en los cables rojos de la válvula II.

Utilice los diagramas de flujo de resolución de problemas en las páginas a continuación para detectar y reparar problemas específicos.

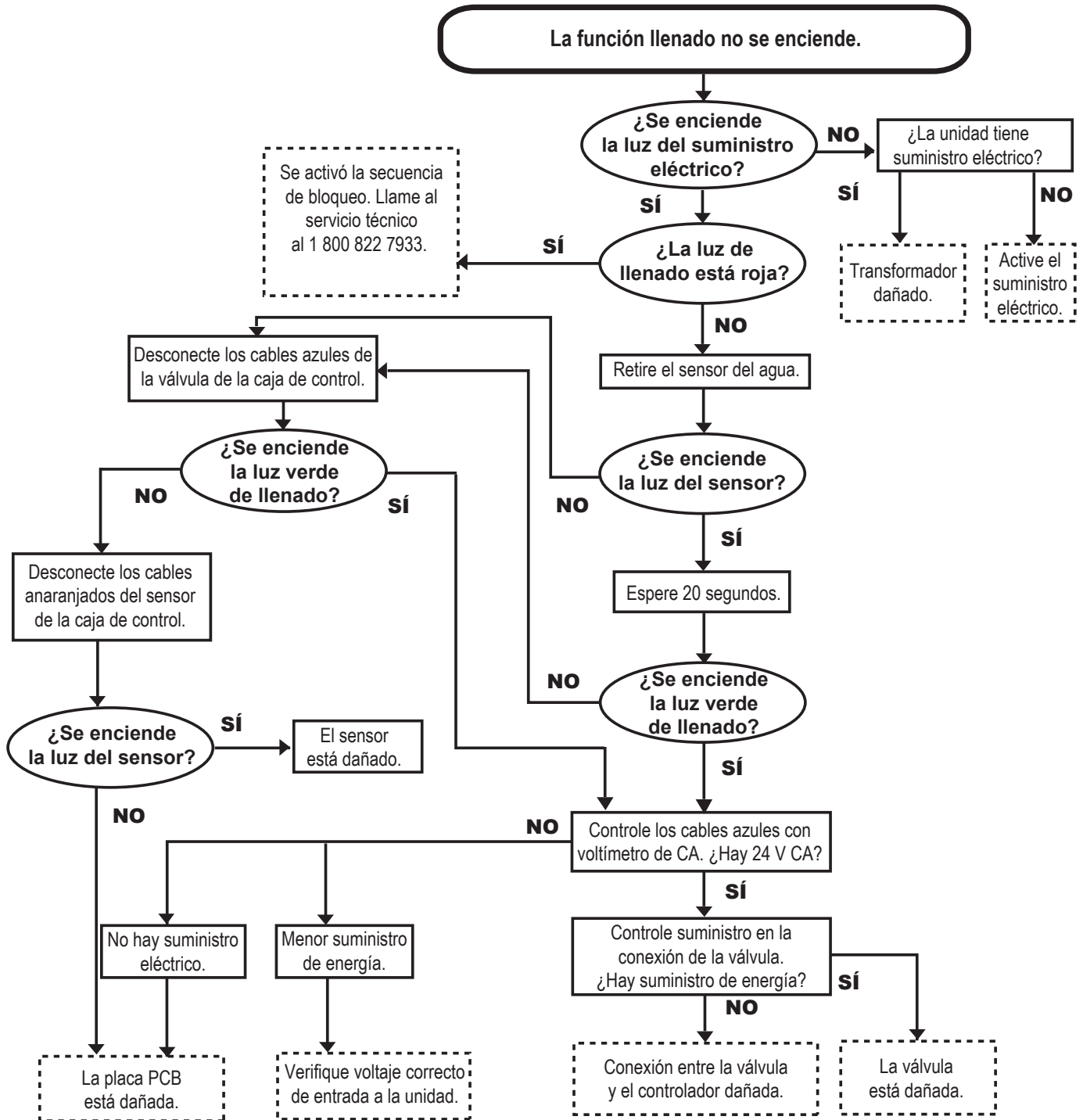
5.4 La función llenado no se apaga

Este es un diagrama de flujo para resolución de problemas para los modelos K-1100, LX2 y LEV110CK/2G. Consúltelo cuando la función de llenado no se apague.



5.5 La función llenado no se enciende

Este es un diagrama de flujo para resolución de problemas para los modelos K-1100, LX2 y LEV110CK/2G. Consúltelo cuando la función de llenado no se encienda.



Sección 6. Repuestos

6.1 Información para realizar pedidos

Para pedir o comprar piezas para los productos Levolor®, comuníquese con el concesionario o distribuidor de Jandy más cercano. Consulte el sitio web de Jandy en www.jandy.com para conocer el centro de servicio más cercano. Para mayor información, comuníquese con el servicio al cliente de Zodiac Pool Systems, Inc. al (800)-822-7933.

NOTA Para pedir la pieza correcta, es necesario proporcionar el número de modelo y el número de pieza correctos.

Clave	Descripción	N.º de modelo	N.º de pieza
PCB y controladores			
1	PCB de Levolor con sistema de tiempo de espera	K-1100	LEVBRD (tiempo de espera)
2	Solo controlador, Lev-220 V	K-1100	LEV220Control
3	PCB con transformador, Lev-220 V	K-1100	LEV220BD con TRANS
4	Solo controlador, LX2, 110 V y 220 V	LX2	Control de LX2
5	Solo PCB, LX2, 110 V y 220 V	LX2	Placa de LX2
6	Solo controlador, K-2300 220 V	K-2300	Control de K2300220
7	PCB con transformador, K-2300 220 V	K-2300	K2300220BDT
Sensor deslizante (para tubo estático)			
8	Sensor deslizante de dos contactos con 20 pies	K-1100, K-2300	S2040
8*	Sensor deslizante de dos contactos con 50 pies	K-1100, K-2300	S2040A
8	Sensor deslizante de dos contactos con 100 pies	K-1100, K-2300	S2040C
8	Sensor deslizante de dos contactos con 150 pies	K-1100, K-2300	S2040E
8	Sensor deslizante de dos contactos con 200 pies	K-1100, K-2300	S2040G
8	Sensor deslizante de dos contactos con 250 pies	K-1100, K-2300	S2040I
8	Sensor deslizante de dos contactos con 300 pies	K-1100, K-2300	S2040K
8	Sensor deslizante de dos contactos con 350 pies	K-1100, K-2300	S2040M
Roscado (para tubo estático)			
9	Roscado de dos contactos con 50 pies	K-1100, K-2300	S2042A
9	Roscado de dos contactos con 100 pies	K-1100, K-2300	S2042C
9	Roscado de dos contactos con 200 pies	K-1100, K-2300	S2042G
9	Sensor de 30" roscado de dos contactos con 50 pies	K-1100, K-2300	S2042A30

Clave	Descripción	N.º de modelo	N.º para pedido de pieza
Tipo superficial (medialuna) (para filtro superficial)			
10	Tipo medialuna de 2 contactos sin cable	K-1100, LX2, K-2300	S2044
10	Tipo medialuna de 2 contactos con 50 pies	K-1100, LX2, K-2300	S2044A
10	Tipo medialuna de 2 contactos con 100 pies	K-1100, LX2, K-2300	S2044C
10	Sensor de 4" tipo medialuna de 2 contactos con 100 pies	K-1100, LX2, K-2300	S2044C4
10	Tipo medialuna de 2 contactos con 150 pies	K-1100, LX2, K-2300	S2044E
10	Tipo medialuna de 2 contactos con 200 pies	K-1100, LX2, K-2300	S2044G
10	Tipo medialuna de 2 contactos con 250 pies	K-1100, LX2, K-2300	S2044I
10	Tipo medialuna de 2 contactos con 300 pies	K-1100, LX2, K-2300	S2044K
10	Tipo medialuna de 2 contactos con 350 pies	K-1100, LX2, K-2300	S2044M
Doble (para filtro superficial o tubo estático)			
11	Sensor doble con 50 pies	K-1100, LX2, K-2300	S2046A
11	Sensor doble con 100 pies	K-1100, LX2, K-2300	S2046C
11	Sensor doble con 150 pies	K-1100, LX2, K-2300	S2046E
11	Sensor doble con 200 pies	K-1100, LX2, K-2300	S2046G
11	Sensor doble con 250 pies	K-1100, LX2, K-2300	S2046I
11	Sensor doble con 300 pies	K-1100, LX2, K-2300	S2046K
11	Sensor doble con 350 pies	K-1100, LX2, K-2300	S2046M
11	Sensor doble con 400 pies	K-1100, LX2, K-2300	S2046O
11	Sensor doble con 450 pies	K-1100, LX2, K-2300	S2046Q
11	Sensor doble con 500 pies	K-1100, LX2, K-2300	S2046S
Varios			
12	Cubierta y alojamiento inferior del sensor remoto	K-1100, LX2, K-2300	70010110
13	Válvula plástica de 1", solenoide de 24 V con control de caudal	K-1100, LX2, K-2300	SOL100
14	Depuradora en Y de 1"	K-1100, LX2, K-2300	BRY

Zodiac Pool Systems LLC

2882 Whiptail Loop # 100, Carlsbad, CA 92010

Zodiac Pool Systems Canada, Inc.

2-3365 Mainway, Burlington, ON L7M 1A6 Canada

USA | Jandy.com | 1.800.822.7933

Canada | Jandy.ca | 1.888.647.4004

©2019 Zodiac Pool Systems, Inc. ZODIAC® es una marca registrada de Zodiac International, S.A.S.U. utilizada bajo licencia. Todas las marcas comerciales a las que se hace referencia en este documento son propiedad de sus respectivos dueños.

H0303600 Rev E



INCLUIDO EN ETL
CUMPLE
UL STD 1563
CERTIFICACIÓN
CAN/CSA C22.2 NO. 218.1