

Square Flanges

Specifications:

JIS B2291, Hydraulic pipe and hose connections, four-bolt

Material Specifications:

(SF440A) Hydraulic Steel

(SS316) Stainless Steel

Size Range:

(SF440A) Hydraulic Steel : 1/4" – 6"NB

(SS316) Stainless Steel : 3/8" – 3"NB

Working Pressure:

210kgf/cm² : 210 BAR / 21 MPA

Flange Series:

(SHAB) SHAB Square Flange using Hexagon Hex Bolts (Larger Flange Body)

(SSAB) SSAB Square Flange using Socket Cap Screws (Smaller Flange Body)

Flange Screws:

Metric screws according to DIN 912-8.8 (Standard)



Oring and Flat Square Blind Flanges

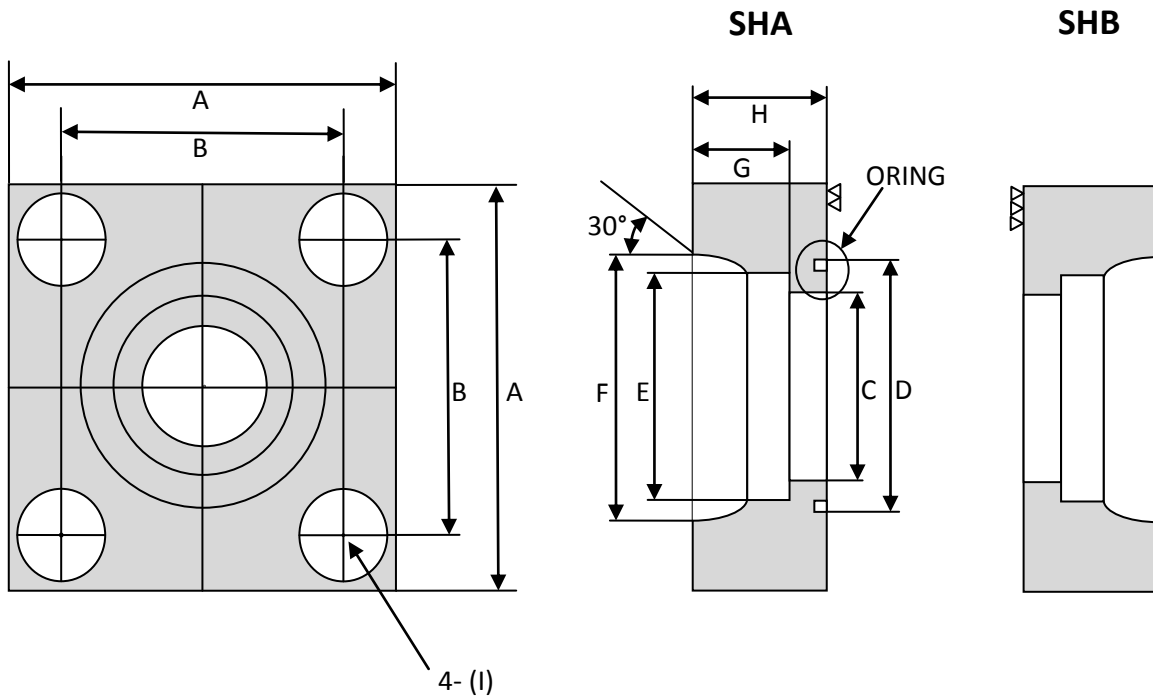


SHAB

SSAB



WELD IN SQUARE FLANGES (SHAB)



SHAB (210 KG/CM²)

SIZE	ORING	PART NUMBER	Dimensions									WEIGHT
			A	B	C	D	E	F	G	H	I	
8	G25	FL-SQ-H-SHAB-04	63	40	8	30	14.3	24	11	22	11	1.30 KGS
10	G25	FL-SQ-H-SHAB-06	63	40	11.5	30	17.8	28	11	22	11	1.30 KGS
15	G25	FL-SQ-H-SHAB-08	63	40	16	30	22.2	32	11	22	11	1.40 KGS
20	G30	FL-SQ-H-SHAB-12	68	45	20	35	27.7	38	12	22	11	1.50 KGS
25	G35	FL-SQ-H-SHAB-16	80	53	25	40	34.5	45	14	28	13	2.60 KGS
32	G40	FL-SQ-H-SHAB-20	90	63	31.5	45	43.2	56	16	28	13	3.15 KGS
40	G50	FL-SQ-H-SHAB-24	100	70	37.5	55	49.1	63	18	36	18	5.10 KGS
50	G60	FL-SQ-H-SHAB-32	112	80	47.5	65	61.1	75	20	36	18	5.90 KGS
65	G75	FL-SQ-H-SHAB-40	140	100	60	80	77.1	95	22	45	22	11.40 KGS
80	G85	FL-SQ-H-SHAB-48	155	112	71	90	90.0	108	25	45	24	14.10 KGS
100	G105	FL-SQ-H-SHAB-64	190	140	87.3	110	115.4	135	28	60	27	25.50 KGS
125	G130	FL-SQ-H-SHAB-80	230	168	120.8	135	141.2	164	30	65	32	41.00 KGS
150	G155	FL-SQ-H-SHAB-96	270	195	128.8	165	166.9	193	35	80	39	68.50 KGS

Designation for Order:

Double Flanges, SHAB
(Flat side & Oring side)

ST52.3	FL-SQ-H...SHAB..
SS316	FL-SQ-S...SHAB..

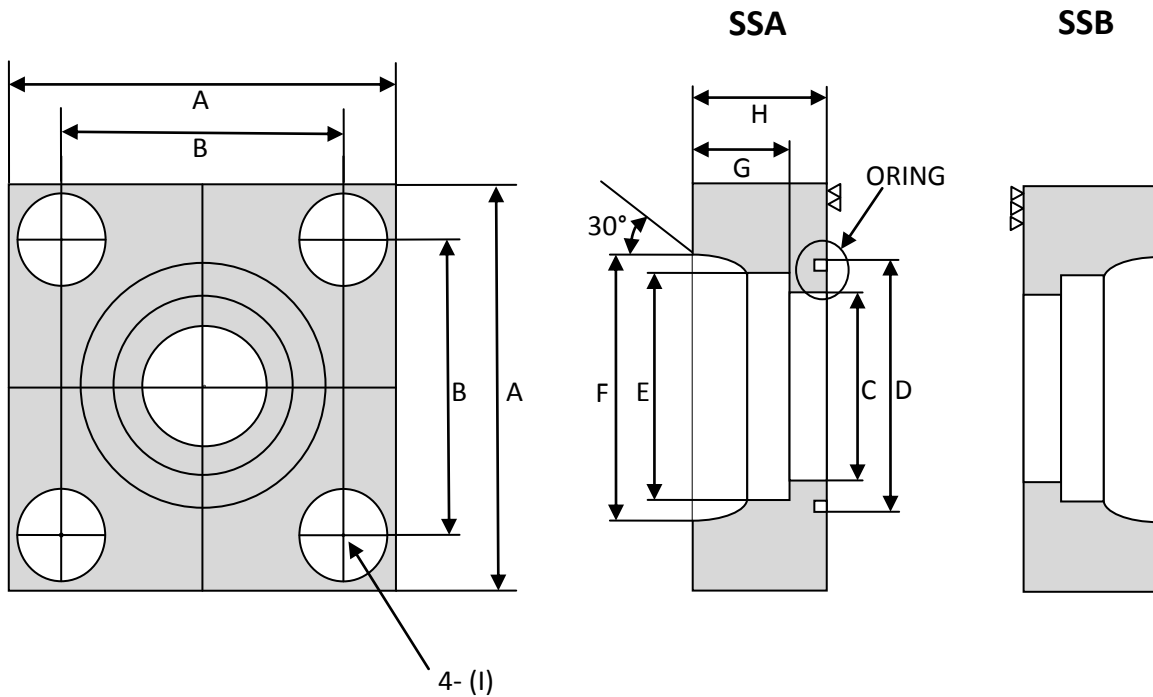
Counter-Flanges, SHA
(Oring side)

ST52.3	FL-SQ-H...SHA..
SS316	FL-SQ-S...SHA..

Flanges, SHB
(Flat side)

ST52.3	FL-SQ-H...SHB..
SS316	FL-SQ-S...SHB..



WELD IN SQUARE FLANGES (SSAB)

SSAB (210 KG/CM²)

SIZE	ORING	PART NUMBER	Dimensions										WEIGHT
			A	B	C	D	E	F	G	H	SSA I	SSB I	
10	G25	FL-SQ-H-SSAB-06	54	36	11.5	30	17.8	28	11	22	11	M10	1.00 KGS
15	G25	FL-SQ-H-SSAB-08	54	36	16	30	22.2	32	11	22	11	M10	1.00 KGS
20	G30	FL-SQ-H-SSAB-12	58	40	20	35	27.7	38	12	22	11	M10	1.20 KGS
25	G35	FL-SQ-H-SSAB-16	68	48	25	40	34.5	45	14	28	13	M12	1.60 KGS
32	G40	FL-SQ-H-SSAB-20	76	56	31.5	45	43.2	56	16	28	13	M12	2.00 KGS
40	G50	FL-SQ-H-SSAB-24	92	65	37.5	55	49.1	63	18	36	18	M16	3.80 KGS
50	G60	FL-SQ-H-SSAB-32	100	73	47.5	65	61.1	75	20	36	18	M16	4.00 KGS
65	G75	FL-SQ-H-SSAB-40	128	92	60	80	77.1	95	22	45	22	M20	8.20 KGS
80	G85	FL-SQ-H-SSAB-48	140	103	71	90	90.0	108	25	45	24	M22	9.40 KGS

Designation for Order:

 Double Flanges, SHAB
 (Flat side & Oring side)

ST52.3	FL-SQ-H...SSAB..
SS316	FL-SQ-S...SSAB..

Counter-Flanges, SHA

(Oring side)

ST52.3	FL-SQ-H...SSA..
SS316	FL-SQ-S...SSA..

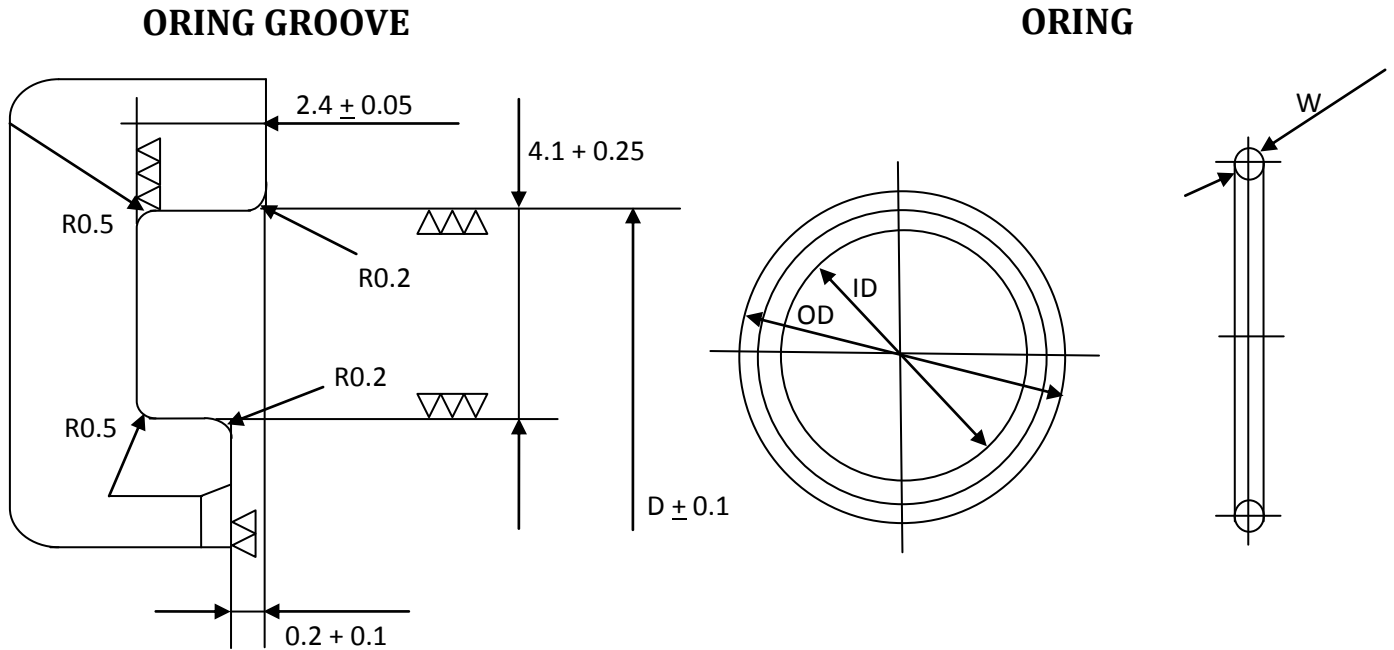
Flanges, SHB

(Flat side)

ST52.3	FL-SQ-H...SSB..
SS316	FL-SQ-S...SSB..



ORING GROOVE & ORING DIMENSION



SHAB & SSAB (210 KG/CM²) ORING DIMENSION

SIZE	INCH	PART NUMBER	Dimensions		
			OD	ID	W
8	1/4"	G25	30.60	24.40	3.1
10	3/8"	G25	30.60	24.40	3.1
15	1/2"	G25	30.60	24.40	3.1
20	3/4"	G30	35.60	29.40	3.1
25	1"	G35	40.60	34.40	3.1
32	1 1/4"	G40	45.60	39.40	3.1
40	1 1/2"	G50	55.60	49.40	3.1
50	2"	G60	65.60	59.40	3.1
65	2 1/2"	G75	80.60	74.40	3.1
80	3"	G85	90.60	84.40	3.1
100	4"	G105	110.60	104.40	3.1
125	5"	G130	135.60	129.40	3.1
150	6"	G155	165.70	154.30	5.7



Our Brands:



[Both-Well](#)
Pipe Fittings



[Inteva](#)
Quick Couplings, Non Return Check Valves



[KPL Industry Co., Ltd](#)
Compression Fittings, Square Flanges



[LAME](#)
Pipe Fittings



[MHA-Zentgraf](#)
High Pressure Ball Valves



[Nibco](#)
Copper Fittings



[Oleo Tecnica](#)
SAE Flanges



[Stauff](#)
Clamps and Hydraulic Accessories



[Eaton Walterscheid](#)
DIN Fittings, Walform Technology



Chuan Kok Hardware & Machinery Pte Ltd

Address: 1783 Geylang Bahru #01-02, Kallang Distripark Singapore 339708

Telephone Number: +65 6294 2566

Fax Number: +65 6295 7013

Email Address: info@chuankok.com.sg

Website: www.chuankok.com.sg

Business Registration Number: 198201577Z

Country of Registration: Singapore

Conditions of Use of Catalogue

The information in the catalogue are not binding and in order to improve distribution, Chuan Kok Hardware & Machinery Pte Ltd reserves the right to make any change including size and pressure ratings considered necessary at any time and without prior notice.

According to the copyright and the civil law, any reproduction (also partial) of figures and texts of this catalogue by means of electronic, mechanical, photocopies, microfilms, recordings or other is forbidden without Chuan Kok Hardware & Machinery Pte Ltd's authorization.

Catalogue Version: 0715

