



JOINT RESTRAINT PRODUCTS

IMPORT PRICE LIST

EFFECTIVE APRIL 16, 2018

version: **IMP-JRPL.18.02**
EFFECTIVE: APRIL 16, 2018
(SUPERSEDES ALL PREVIOUS PRICING)

PLEASE CALL FOR SPECIAL COATINGS

CORONA CALL CENTER (U.S.)

Toll Free: (877) 701-7827

Fax: (951) 898-9561

HOUSTON CALL CENTER (U.S.)

Toll Free: (800) 999-3009

Fax: (281) 558-9000

CAMBRIDGE CALL CENTER (CANADA)

Toll Free: (888) 893-7827

Fax: (519) 650-1553



Certified to
ISO 9001:2008

Star Pipe Products
4018 Westhollow Parkway
Houston, Texas 77082
www.starpipeproducts.com

Corporate Headquarters
800.999.3009 Toll Free
281.558.3000 Telephone
281.558.9000 Fax



**CAMBRIDGE
CALL CENTER**
Toll Free: (888) 893-7827
Fax: (519) 650-1553



**CORONA
CALL CENTER**
Toll Free: (877) 701-7827
Fax: (951) 898-9561

**HOUSTON
CALL CENTER**
Toll Free: (800) 999-3009
Fax: (281) 558-9000

Regional Distribution Centers ★

**Houston, TX
Corporate Headquarters**
4018 Westhollow Pkwy.
Houston, TX 77082

Sacramento, CA
830 W. National Drive, Suite 150
Sacramento, CA 95834

Orlando, FL
601 Gills Dr.
Orlando, FL 32824

Richmond, VA
2913 Transport Street, Suite 101
Richmond, VA 23234

Houston, TX
4023 Westhollow Pkwy, Suite 108
Houston, TX 77082

Corona, CA
1223 Sherborn Street
Corona, CA 92879

Salt Lake City, UT
2801 West Parkway Blvd.
Salt Lake City, UT 84119

Seattle, WA
13605 52nd Street East, Suite 100
Sumner, WA 98390

Montreal, CAN
3067 Rue Joseph-A-Bomdardier
Laval, QC H7P 6C5

Cambridge, CAN
1144 Industrial Road
Cambridge, Ontario, N3H4W4

Atlanta, GA
5307 Peachtree Industrial Blvd.
Chamblee, GA 30341

Indianapolis, IN
4312 W. Minnesota St., Suite 108
Indianapolis, IN 46241

Kansas City, MO
1836 Levee Road
North Kansas City, MO 64116

Phoenix, AZ
1250 East Hadley Suite 2
Phoenix, AZ 85034



TABLE OF CONTENTS

PRODUCTS

E-SECTION

F-SECTION

G-SECTION

H-SECTION

	GENERAL TERMS & CONDITIONS	pg. 4-5
	STARGRIP® Series 3000, 3000P, 3000S, 3000OS, 3000OSP, 3000T, 3100P, 3100S Mechanical Joint Wedge Action Restraints for Ductile Iron pipe.	pg. 7-12 Nominal pipe size: 3"-48"
	PVC STARGRIP® Series 4000G2, 4000, 4000P, 4100P, 4400 Mechanical Joint Wedge Action Restraint for C900/C905 and IPS PVC pipe.	pg. 13-16 Nominal pipe size: 3"-36"
	PVC RING LOCK (PVCGRIP™) Series 3500, 3500P Mechanical Joint 360° ring type restraint system designed for C900/C905 and IPS PVC pipe.	pg. 17 Nominal pipe size: 4" - 12" & 16"
	PVC PIPE RESTRAINERS Series 1000, 1100, 1200, 1200R Joint Restraint for Mechanical Joint and Push On fittings for C900/C905 and IPS PVC pipe to pipe connections and PVC pressure fittings.	pg. 18-21 Nominal pipe size: 4" - 48"
	STARFLEX™ Series 5000, 5100, 5200, 5300 Flexible expansion joint for the protection of water, wastewater and industrial pipelines.	pg. 22-24 Nominal pipe size: 3" - 48"
	ALL STARGRIP® Series 4300 Joint Restraint for Mechanical Joint fittings (AWWA C153 or C110), valves, fire hydrants on a variety of ductile iron, Steel and plastic pressure pipes	pg. 25 Nominal pipe size: 4" - 12"
	STARFLANGE™ Series 3200 - for Ductile Iron pipe PVC STARFLANGE™ Series 4200 - for PVC pipe	pg. 26-27 Nominal pipe size: 3" - 36"
	SUPER FLANGE™ Series 7200 Adapts Ductile Iron, PVC & Steel Pipe to Flange Connections.	pg. 28 Nominal pipe size: 3" - 36"
	MJ x MJ ADAPTER Series 100 For MJ bell connections	pg. 29 Nominal pipe size: 3" - 36"
	ADAPTER FLANGE Series 200, 400 Flange adapters for Ductile Iron and Steel pipe. Standard and heavy duty.	pg. 30 Nominal pipe size: 3" - 36"
	HARDWARE Zinc anode nut & STARLUG	pg. 31

STAR PIPE PRODUCTS



* REGISTERED TRADEMARK OF STAR PIPE PRODUCTS

STAR PIPE PRODUCTS
HOUSTON CORPORATION TOLL FREE 1-800-999-3009 FAX 281-558-9000
www.starpipeproducts.com

General Terms and Conditions

GENERAL

Star Pipe Products' ("Seller") terms and conditions of sale (the "Terms") shall control with respect to any sale of Seller's products (the "Goods") to any customer (each, a "Buyer") (each, an "Order"). No waiver, alteration or modification of these terms and conditions whether on Buyer's purchase order or otherwise shall be valid unless the waiver, alteration or modification is specifically accepted in writing and signed by an authorized representative of Seller. Buyer acknowledges that these Terms and Conditions are subject to change from time to time and the parties agree that each sale of Goods will be independently governed by the version of the Terms available online at www.starpipeproducts.com at the time of acceptance by Seller such order. All references by Seller to Buyer's specifications and similar requirements are only to describe Goods and work covered hereby and no warranties or other terms will have any force or effect. Buyer may not rely on any representation, promise or term not set forth herein and Seller expressly objects to and rejects all terms not contained in these Terms. Seller's acceptance of an Order, whether oral or written, and/or its delivery of Goods to Buyer is based on the express condition that Buyer agrees to all of these Terms.

GOVERNING LAW; VENUE

These Terms (and every Order) shall be deemed made under and governed by the laws of the State of Texas and shall be construed and enforced in accordance therewith (without regard to its rules respecting conflicts of Law). Buyer irrevocably submits to the jurisdiction and venue of the state and federal courts located in Harris County, State of Texas, hereby waives any objections or defenses to such forum jurisdiction and venue selection, and agrees and consents that service of process may be made upon it in any legal proceeding relating to these Terms by any means allowed under Texas or federal law. **No party shall have the right to litigate, include in any lawsuit, or otherwise present claims for any other person or entity or for any class of persons or entities, and each party waives any such rights or claims it might have.**

QUOTATIONS

Where Seller issues a quotation to place a bid, Seller's quotation is for prompt acceptance (not later than 30 days) and Seller reserves the right to modify and/or withdraw such quotation without notice. Buyer's prompt acceptance of the quotation and these Terms are material terms of the quotation and any resulting Order. In cases where freight allowance is included in the quotation, Buyer shall be liable for any rate increase and/or additional expense over the calculated allowance resulting from compliance with Buyer's shipping instructions.

DELIVERY

Seller will make every effort to complete delivery of Goods as indicated on an Order, but Seller shall have no responsibility or liability, and will accept no back charge, for losses or damages arising from delivery delays or failure to give notice of expected delay. Seller may terminate any Order without liability of any nature, by written notice to Buyer, in the event that the delay in delivery or performance resulting from any of the aforesaid causes shall continue for a period of longer than sixty (60) days.

WARRANTY

Seller warrants Goods of its own manufacture for one (1) calendar year from the date of shipment shall conform to the material and technical specifications set forth in the Order. Goods manufactured by others are sold "as is" except to the extent the manufacturer honors any applicable warranty made by the manufacturer. Secondhand goods are sold "as is". If the new Goods fail to conform with such specifications upon inspection by Seller, Seller will, at its option and as Buyer's sole remedy, either repair or replace such Goods having defects in material or workmanship with the type originally furnished. Seller shall not be liable or responsible and Seller's warranty obligations shall not apply if (A) upon inspection any defects are attributed to normal wear and tear, erosion or corrosion, improper storage, use or maintenance or use of Goods with incompatible products, (B) the defect is in any portion or part of Goods not manufactured by Seller, (C) Goods have been repaired or altered outside of Seller's factory, in any manner; (D) Goods have been subjected to misuse, negligence or accidents; or (E) Goods have been used in a manner contrary to Seller's instructions or recommendations. If (B) above is applicable, Seller will, as an accommodation to Buyer, assign to Buyer any warranties given to it by any such other manufacturers; provided, however, that the foregoing will not extend Seller's warranty to any accessory products unless otherwise agreed to in writing by Seller. If Seller's examination shall disclose to its satisfaction that the Good is defective, cannot be replaced and an adjustment is required, the amount of such adjustment shall not exceed the net line item sales price of the defective Good only and no allowance will be made for labor or expense of repairing or replacing defective Good or workmanship or damage resulting from the same. No adjustment shall be implemented unless the Good in question is returned to Seller in its originally installed condition, still connected to other components of the joint. Buyer must contact Seller as quickly as possible so Seller can assess the Good in its installed condition. No claims will be honored unless claim is made within forty-five (45) days of the defect being discovered. Where engineering design or fabrication work is supplied, Buyer's acceptance of Seller's design or of delivery of work shall relieve Seller of all further obligation for such services. THIS CLAUSE CONTAINS SELLER'S SOLE WARRANTY. SELLER MAKES NO OTHER WARRANTY OF ANY KIND, EXPRESSED OR IMPLIED AND ALL IMPLIED WARRANTIES OF MERCHANTABILITY AND FITNESS FOR A PARTICULAR PURPOSE WHICH EXCEED SELLER'S AFORESTATED OBLIGATION ARE HEREBY DISCLAIMED BY SELLER AND EXCLUDED FROM THIS WARRANTY. Seller neither assumes, nor authorizes any person to assume for it, any other obligation in connection with the sale of its engineering designs or Goods. Seller shall not be responsible for design errors due to inaccurate or incomplete information supplied by Buyer or its representatives. This warranty is non-transferable.

LIABILITY

Seller shall not be liable for any loss, damage, cost of repairs, labor costs, special, incidental or consequential damages of any kind, whether based upon warranty (except for the obligation accepted by Seller under "Warranty" above), contract or negligence, arising in connection with the design, manufacture, sale, use or repair of the Goods or of the engineering designs supplied to Buyer. IN NO EVENT SHALL SELLER'S AGGREGATE LIABILITY ARISING OUT OF OR RELATED TO ANY ORDER ISSUED PURSUANT TO ANY ORDER, WHETHER ARISING OUT OF OR RELATED TO BREACH OF CONTRACT, TORT (INCLUDING NEGLIGENCE OF ANY KIND) OR OTHERWISE, EXCEED THE LINE ITEM PRICE OF THE GOOD(S) GIVING RISE TO THE CLAIM OR \$10,000 USD, WHICHEVER IS LESS.

(Continued)

General Terms and Conditions

DISCLAIMER	(1) PER AWWA/ANSI C110 A21.10, THE FLANGED JOINT IS GENERALLY SPECIFIED FOR ABOVE GROUND SERVICE. UNDER-GROUND USE OF THE FLANGED JOINT IS GENERALLY NOT DESIRABLE DUE TO THE RIGIDITY OF THE JOINT. (2) SELLER WILL NOT PROVIDE WARRANTY FOR OR BE RESPONSIBLE FOR THE REPAIR OR REPLACEMENT OF GOOD DAMAGED BY PRESSURE JETTING OF ANY KIND, REGARDLESS OF AGE OR CAUSE.
RETURNS	Seller will not accept return of any Good(s) unless Seller's written permission has been first obtained, in which case the Goods will be credited subject to the following: (a) All material returned must, on its arrival at Seller's plant, be found to be in first-class condition; if not, cost of putting in saleable condition will be deducted from credit memoranda; (b) A handling charge deduction of twenty-five percent (25%) will be made from all credit memoranda issued for material returned; (c) Transportation charges, if not prepaid will be deducted from credit memoranda.
SHIPMENTS	All Goods sent out will be carefully examined, counted and packed. The cost of any special packing or special handling caused by Buyer's requirements or requests shall be added to the amount of the Order. No claim for shortages will be allowed unless made in writing within ten (10) days of receipt of a shipment. Claims for Goods damaged or lost in transit should be made on the carrier, as Seller's responsibility ceases, and title passes, on delivery to the carrier.
GOODS	Orders covering special, made-to-order, rush or non-standard Goods are not subject to cancellation except on such terms as Seller may specify on application.
PRICES	All prices and designs are subject to change without notice. All prices are F.O.B. Point of Shipment, unless otherwise stated.
FORCE MAJEURE	Seller shall not be responsible or liable in any way for any failure to perform due to acts of God, fire, flood, serious accidents, foreign or United States embargo, war or riot, serious shortages, unavailability or significant price increases in commodities, materials or components, labor disputes, interruption of transportation, loss of essential production services, laws, rules, regulations, instructions or acts of any U.S. or foreign governmental authority, or by any other event beyond the reasonable control of Seller or its subcontractors.
TAXES	The amount of any sales, excise or other taxes, if any, applicable to the Goods covered by this order, shall be added to the purchase price and shall be paid by Buyer unless Buyer provides Seller with an exemption certificate acceptable to the taxing authorities.
MISCELLANEOUS	Seller produces both domestic and import Goods and each are cast with country of origin. The responsibility lies with the ordering and receiving parties to determine the suitability and origin of all Goods being requested. All Goods should be installed per Seller's installation instructions. Seller's Terms always apply. Please contact Seller if either are not readily available. All Domestic fittings are compliant with the Consolidated Appropriations Act of 2014 (AIS), the Recovery and Reinvestment Act of 2009 (ARRA) and the Buy America Acts of 1983 and 1933. We offer two (2) types of Domestic restraint Goods: (1) AIS Compliant and (2) Buy American Compliant.

(1) All Goods described as AIS Compliant meet all requirements of the American Iron and Steel provision of the Consolidated Appropriations Act of 2014 (AIS), the Buy America Act of 1983 and the Buy American Act of 1933.

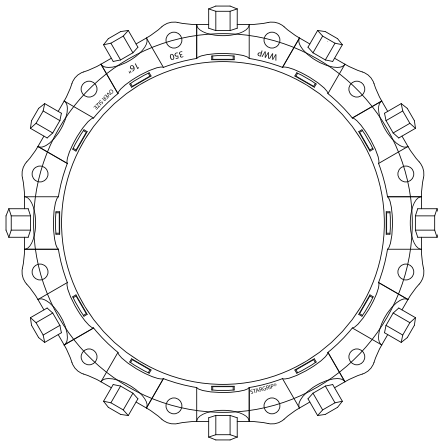
(2) Buy American Compliant Goods meet the original Federal Buy American Act of 1933. These Goods may include import components and this will be noted in the description of the Good.

Pressure Cleaning Guidelines: The Ductile Iron Pipe Research Association publishes the Installation Guide for Ductile Iron Pipe. The following language comes from Chapter 7 of the February 2012 edition of this document: "The use of pressure washing to clean the inside diameter of cement-mortar-lined iron pipe is not recommended due to the possibility of damage to the seal coat and/or cement-mortar lining. The aggressiveness of the pressure washing is dependent on water pressure, travel speed, water jets, water jet angle to the lining, distance of the water jets from the lining, diameter of pipe, type of lining application, etc. Any attempt to do so is at the sole risk of the equipment operator." Seller concurs with this position. Seller will not provide warranty for or be responsible for the repair or replacement of Good damaged by pressure jetting of any kind.

Non-Pressure Sewer Applications: If a mandrel test is required, or if a particular inside diameter is needed in order to accommodate CCTV equipment or some other tool, it is recommended that the installer check inside diameter compatibility by passing an object of the same size through the fitting prior to installation in order to ensure that the fitting's inside diameter is compatible with the test or inspection desired. Mandrels, CCTV equipment, testing balls, and any other object passed through the fitting shall be constructed such that it does not damage the fitting's lining when transported through it. Seller will not be responsible for buried sewer fittings that are incompatible with the aforementioned objects if that inside diameter that has not been assessed prior to installation.



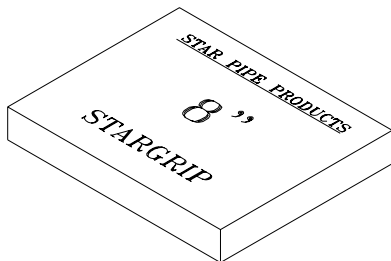
STARGRIP® Series 3000
Mechanical Joint Restraint for Ductile Iron Pipe



- Mechanical Joint, Wedge Action Restraint for use on all classes of Ductile Iron Pipe

NOM SIZE	ITEM CODE	STARBOND ITEM CODE	CRT QTY	WT	PRICE
3	SGDP03N	SGDPS03N	200	7	\$42.94
4	SGDP04N	SGDPS04N	200	9	\$45.50
6	SGDP06N	SGDPS06N	90	13	\$53.51
8	SGDP08N	SGDPS08N	90	17	\$80.43
10	SGDP10N	SGDPS10N	40	23	\$119.21
12	SGDP12	SGDPS12	40	31	\$173.68
14	SGDP14	SGDPS14	40	54	\$230.53
16	SGDP16	SGDPS16	10	60	\$329.00
18	SGDP18	SGDPS18	12	69	\$466.05
20	SGDP20	SGDPS20	12	72	\$578.81
24	SGDP24	SGDPS24	10	129	\$803.69
30	SGDP30	SGDPS30	9	197	\$1,838.23
36	SGDP36	SGDPS36	9	262	\$2,352.84
42	SGDP42	SGDPS42	4	425	sold w/acc
48	SGDP48	SGDPS48	4	500	sold w/acc

STARGRIP® Series 3000P
Mechanical Joint Restraint for Ductile Iron Pipe
Packaged With Accessories



- Packaged with standard MJ gasket and low alloy steel T-bolts, both of which meet the requirements of ANSI/AWWA C111/A21.11
- Contact factory for custom packaging with longer bolts, Star Blue bolts and nuts or with zinc anode nuts
- Bolts and gaskets are boxed separately from the restraint in the 14 inch and larger sizes.
- Listed by Underwriters Laboratories, 3" through 36"
- Approved by Factory Mutual, 3" through 12"

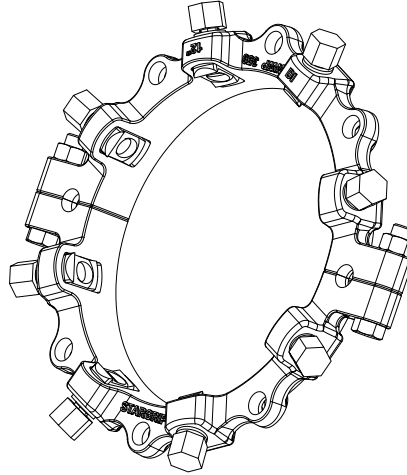
NOM SIZE	ITEM CODE	STARBOND ITEM CODE	CRT QTY	WT	PRICE
3	SGDPPK03N	SGDPPKS03N	200	10	\$65.05
4	SGDPPK04N	SGDPPKS04N	160	12	\$70.81
6	SGDPPK06N	SGDPPKS06N	132	18	\$87.48
8	SGDPPK08N	SGDPPKS08N	99	22	\$119.21
10	SGDPPK10N	SGDPPKS10N	44	30	\$169.52
12	SGDPPK12	SGDPPKS12	44	39	\$227.84
14	SGDPPK14	SGDPPKS14		64	\$303.04
16	SGDPPK16	SGDPPKS16		71	\$408.83
18	SGDPPK18	SGDPPKS18		80	\$552.87
20	SGDPPK20	SGDPPKS20		84	\$674.62
24	SGDPPK24	SGDPPKS24		135	\$914.12
30	SGDPPK30	SGDPPKS30		241	\$2,029.51
36	SGDPPK36	SGDPPKS36		295	\$2,586.37
42	SGDPPK42	SGDPPKS42		487	\$3,927.62
48	SGDPPK48	SGDPPKS48		571	\$5,019.72

PLEASE CALL:

...FOR SPECIAL COATINGS	...FOR STAINLESS STEEL & STAR BLUE ACCESSORIES
-------------------------	--

STAR[®] PIPE PRODUCTS

SPLIT STARGRIP® Series 3000S
Split Mechanical Joint Restraint
for Existing Ductile Iron Pipe, Packaged with Accessories



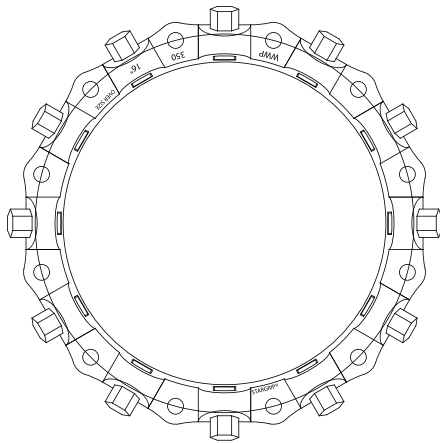
NOM SIZE	ITEM CODE	WT	PRICE
3	SGDPPK03S	12	\$133.48
4	SGDPPK04S	15	\$150.80
6	SGDPPK06S	21	\$212.89
8	SGDPPK08S	22	\$262.13
10	SGDPPK10S	32	\$327.27
12	SGDPPK12S	44	\$406.49
14	SGDPPK14S	60	\$889.51
16	SGDPPK16S	69	\$995.96
18	SGDPPK18S	74	\$1,223.49
20	SGDPPK20S	90	\$1,523.88
24	SGDPPK24S	155	\$2,518.84
30	SGDPPK30S	239	\$3,853.11
36	SGDPPK36S	286	\$5,068.95
42	SGDPPK42S	685	\$6,451.78
48	SGDPPK48S	783	\$9,766.33

- Packaged with standard MJ gasket and low alloy steel T-bolts, both of which meet the requirements of ANSI/AWWA C111/A21.11
- Contact factory for custom packaging with longer bolts, Star Blue bolts and nuts or with zinc anode nuts
- Bolts and gaskets are boxed separately from the restraint in the 14 inch and larger sizes.

PLEASE CALL:

...FOR SPECIAL COATINGS	...FOR STAINLESS STEEL & STAR BLUE ACCESSORIES
-------------------------	---

STAR® PIPE PRODUCTS

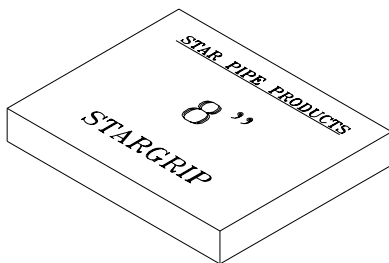


STARGRIP® Series 3000OS
Oversized Mechanical Joint Restraint
for Pit Cast Iron Pipe

NOM SIZE	ITEM CODE	CRT QTY	WT	PRICE
3	SGDPOS03		6	\$88.49
4	SGDPOS04	200	9	\$90.15
6	SGDPOS06	90	13	\$99.79
8	SGDPOS08	90	18	\$138.71
10	SGDPOS10	40	23	\$172.31
12	SGDPOS12	40	31	\$230.86
14	SGDPOS14		54	\$325.67
16	SGDPOS16		60	\$429.12

- The Oversized Mechanical Joint Wedge Action Restraint has the same features as the Series 3000 except the bore ID has been increased to accommodate Class A, B, C & D pit cast pipe.

STARGRIP® Series 3000OSP
Oversized Mechanical Joint Restraint
for Pit Cast Iron Pipe
Packaged with Accessories



NOM SIZE	ITEM CODE	CRT QTY	WT	PRICE
3	SGDPOSPK03		9	\$112.77
4	SGDPOSPK04	160	12	\$119.09
6	SGDPOSPK06	132	18	\$137.72
8	SGDPOSPK08	99	24	\$180.97
10	SGDPOSPK10	44	30	\$227.86
12	SGDPOSPK12	44	39	\$291.40
14	SGDPOSPK14		64	\$399.51
16	SGDPOSPK16		71	\$513.28

- Packaged with standard MJ gasket and low alloy steel T-bolts, both of which meet the requirements of ANSI/AWWA C111/A21.11
- Contact factory for custom packaging with longer bolts, Star Blue bolts and nuts or with zinc anode nuts
- Bolts and gaskets are boxed separately from the restraint in the 14 inch and larger sizes.

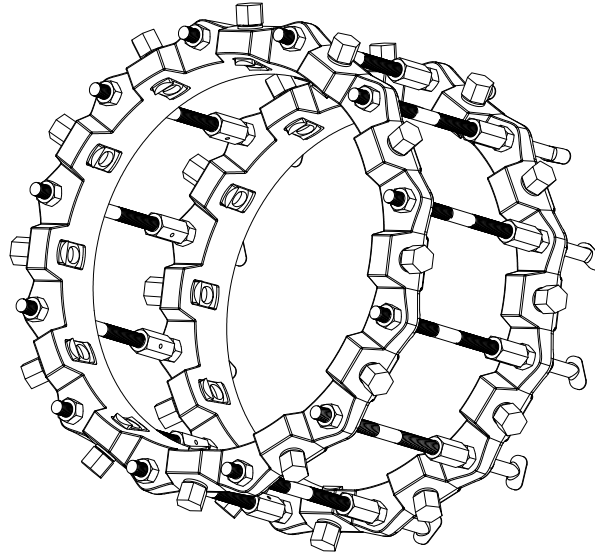
PLEASE CALL:

...FOR SPECIAL COATINGS	...FOR STAINLESS STEEL & STAR BLUE ACCESSORIES
-------------------------	--

STAR[®] PIPE PRODUCTS



TANDEM STARGRIP® Series 3000T
For High Pressure DI Pipe to MJ Fitting Applications



NOM SIZE	ITEM CODE	STARBOND ITEM CODE	WT	PRICE
3	SGDP03TMN	SGDPS03TMN	18	CALL
4	SGDP04TMN	SGDPS04TMN	28	CALL
6	SGDP06TMN	SGDPS06TMN	41	CALL
8	SGDP08TMN	SGDPS08TMN	49	CALL
10	SGDP10TMN	SGDPS10TMN	69	CALL
12	SGDP12TM	SGDPS12TM	88	CALL
14	SGDP14TM	SGDPS14TM	141	CALL
16	SGDP16TM	SGDPS16TM	159	CALL
18	SGDP18TM	SGDPS18TM	177	CALL
20	SGDP20TM	SGDPS20TM	191	CALL
24	SGDP24TM	SGDPS24TM	294	CALL
30	SGDP30TM	SGDPS30TM	520	CALL
36	SGDP36TM	SGDPS36TM	616	CALL
42	SGDP42TM	SGDPS42TM	1118	CALL
48	SGDP48TM	SGDPS48TM	1357	CALL

- Designed for Restraining Mechanical Joint Fittings with DI Pipe per ANSI/AWWA C151
- Pressure Rating has 2:1 safety factor
- Maintains full deflection on Mechanical Joints - same as Series 3000 Stargrip®
- T-Bolts/Rods/Hex Nuts: High Strength Low Alloy Steel Per ANSI/AWWA C111/A21.11
- Sizes 42" & 48" require extra long 1 ¼" x 8 ½" T-bolts.

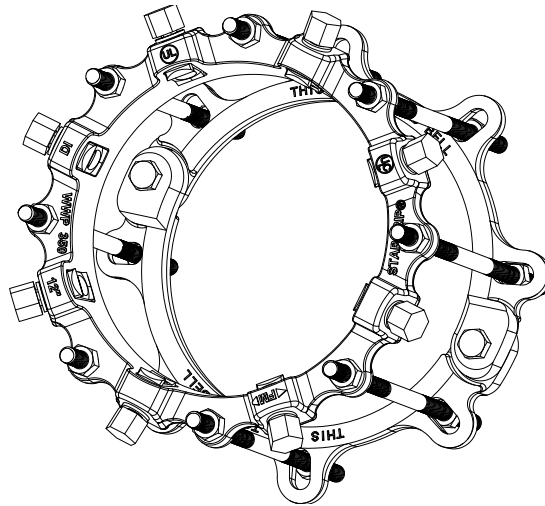
PLEASE CALL:

...FOR SPECIAL COATINGS	...FOR STAINLESS STEEL & STAR BLUE ACCESSORIES
-------------------------	---

STAR® PIPE PRODUCTS



STARGRIP® Series 3100P
For Push-On Joints of Ductile Iron Pipe Bells (New Installations Only)



Mechanical Joint Wedge Action Restraint for use on all classes of Ductile Iron Pipe Bells

NOM SIZE	ITEM CODE	No. RODS	ROD DIA x LENGTH	* MAX. BELL OD	WT	PRICE
3	SGDPGF03N	4	5/8 x 17	5.57	19	\$86.85
4	SGDPGF04N	4	3/4 x 17	6.75	23	\$88.49
6	SGDPGF06N	6	3/4 x 17	9.27	35	\$131.01
8	SGDPGF08N	6	3/4 x 17	11.63	42	\$170.65
10	SGDPGF10N	8	3/4 x 24	13.37	60	\$299.06
12	SGDPGF12	8	3/4 x 24	16.60	76	\$374.23
14	SGDPGF14	8	3/4 x 24	19.17	121	\$752.13
16	SGDPGF16N	10	3/4 x 24	21.41	142	\$838.95
18	SGDPGF18	10	3/4 x 24	23.64	165	\$925.11
20	SGDPGF20	12	3/4 x 24	26.05	192	\$1,311.64
24	SGDPGF24N	14	3/4 x 24	30.78	276	\$1,698.86
30	SGDPGF30	18	1 x 24	37.39	499	\$3,224.72
36	SGDPGF36	22	1 x 24	44.42	657	\$4,716.34
42	**SGDPG42	28	1 1/4 x 30	49.37	996	\$9,784.96
48	**SGDPG48	32	1 1/4 x 30	56.25	1175	\$12,742.23

*The connecting rods of the 3100P will NOT clear pipe bells larger than Max Bell OD Listed.
**For sizes 42" & 48" two STARGRIPS® are provided; one on the spigot and one behind the bell.

- Includes STARGRIP®, split follower gland and low alloy steel double ended rods and nuts which meet the requirements of ANSI/AWWA C111/A21.11
- Contact factory for custom packaging with longer bolts, Star Blue bolts and nuts or with zinc alloy nuts

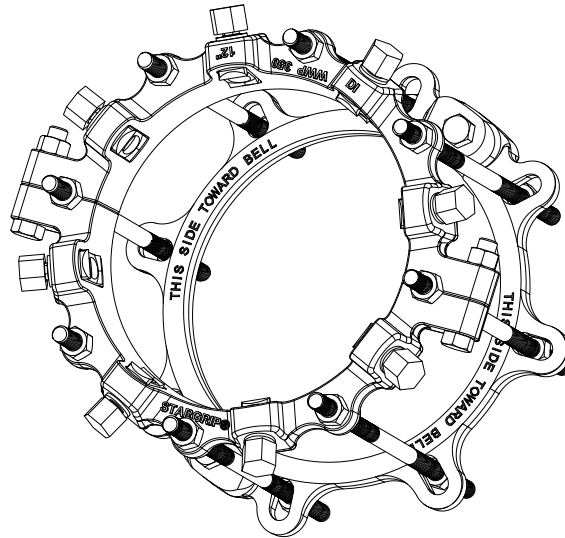
PLEASE CALL:

...FOR SPECIAL COATINGS	...FOR STAINLESS STEEL & STAR BLUE ACCESSORIES
-------------------------	--

STAR® PIPE PRODUCTS



Split STARGRIP® Series 3100S
For Push-On Joints of Ductile Iron Pipe Bells (For New & Existing Installations)



NOM SIZE	ITEM CODE	No. RODS	ROD DIA x LENGTH	* MAX. BELL OD	WT	PRICE
3	SGDPG03S	4	5/8 x 17	5.57	22	\$256.14
4	SGDPG04S	4	3/4 x 17	6.75	26	\$275.11
6	SGDPG06S	6	3/4 x 17	9.27	36	\$392.53
8	SGDPG08S	6	3/4 x 17	11.63	42	\$468.04
10	SGDPG10S	8	3/4 x 24	13.37	64	\$763.11
12	SGDPG12S	8	3/4 x 24	16.60	78	\$915.79
14	SGDPG14S	8	3/4 x 24	19.17	122	\$1,311.64
16	SGDPG16SN	10	3/4 x 24	21.41	142	\$1,539.84
18	SGDPG18S	10	3/4 x 24	23.64	154	\$1,899.11
20	SGDPG20S	12	3/4 x 24	26.05	186	\$2,355.18
24	SGDPG24SN	14	3/4 x 24	30.78	288	\$2,970.58
30	SGDPG30S	18	1 x 24	37.39	485	\$4,444.23
36	SGDPG36S	22	1 x 24	44.42	600	\$6,280.13
42	SGDPG42S	28	1 1/4 x 30	49.37	1242	\$11,324.14
48	SGDPG48S	32	1 1/4 x 30	56.25	1423	\$16,192.50

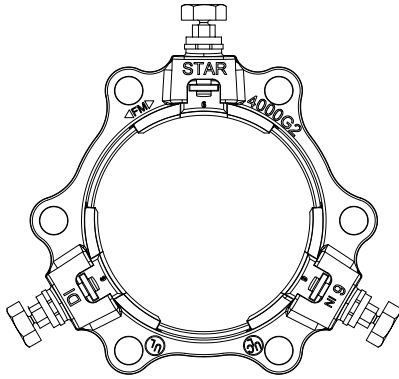
*The connecting rods of the 3100S will NOT clear pipe bells larger than Max Bell OD Listed.

- Includes STARGRIP®, split follower and low alloy steel double ended rods and nuts which meet the requirements of ANSI/AWWA C111/A21.11
- Contact factory for custom packaging with longer bolts, Star Blue bolts and nuts or with zinc anode nuts

PLEASE CALL:

...FOR SPECIAL COATINGS	...FOR STAINLESS STEEL & STAR BLUE ACCESSORIES
-------------------------	--

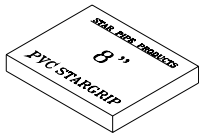
STAR PIPE PRODUCTS®



PVC STARGRIP® Series 4000G2
Mechanical Joint Restraint for C900 PVC Pipe, IPS PVC Pipe,
C909 PVCO Pipe & C901/C906 HDPE Pipe

NOM SIZE	ITEM CODE	STARBOND ITEM CODE	CRT QTY	WT	PRICE
3	PVC4003G2	PVCS4003G2	200	6	\$51.27
4	PVC4004G2	PVCS4004G2	200	7	\$55.11
6	PVC4006G2	PVCS4006G2	90	10	\$66.97
8	PVC4008G2	PVCS4008G2	90	15	\$99.02
10	PVC4010G2	PVCS4010G2	40	21	\$187.14
12	PVC4012G2	PVCS4012G2	40	25	\$197.07
14	PVC4014GN	PVCS4014GN	40	50	\$325.00
16	PVC4016GN	PVCS4016GN	10	60	\$437.11
18	PVC4018GN	PVCS4018GN	12	65	\$542.55
20	PVC4020GN	PVCS4020GN	12	76	\$672.28
24	PVC4024GN	PVCS4024GN	10	98	\$776.41
30	PVC4030GN	PVCS4030GN	9	173	\$2,059.12
36	PVC4036N	PVCS4036N	9	219	\$2,582.04

- Mechanical Joint Wedge Action Restraint for use on PVC Pipe
- 3" size for IPS PVC Pipe only
- 4"-12" sizes for C900 and IPS PVC Pipe
- 14"-36" sizes for C905 PVC Pipe only
- For use on C909 PVCO Pipe & C901/C906 HDPE Pipe - see catalog for details



PVC STARGRIP® Series 4000G2P
Mechanical Joint Restraint for C900 PVC Pipe, IPS PVC Pipe, C909
PVCO Pipe & C901/C906 HDPE Pipe
Packaged With Accessories

NOM SIZE	C900/909 PVC PIPE ITEM CODE	STARBOND C900/909 PVC PIPE ITEM CODE	IPS PVC PIPE ITEM CODE	STARBOND IPS PVC PIPE ITEM CODE	CRT QTY	WT	PRICE
3	N/A	N/A	PVCPKT4003G2	PVCPKST4003G2			\$75.63
4	PVCPK4004G2	PVCPKS4004G2	PVCPKT4004G2	PVCPKST4004G2	132	10	\$81.40
6	PVCPK4006G2	PVCPKS4006G2	PVCPKT4006G2	PVCPKST4006G2	99	15	\$101.90
8	PVCPK4008G2	PVCPKS4008G2	PVCPKT4008G2	PVCPKST4008G2	60	21	\$137.47
10	PVCPK4010G2	PVCPKS4010G2	PVCPKT4010G2	PVCPKST4010G2	40	29	\$239.37
12	PVCPK4012G2	PVCPKS4012G2	PVCPKT4012G2	PVCPKST4012G2	40	33	\$251.22
14	PVCPK4014N	PVCPKS4014N	N/A	N/A		60	\$395.85
16	PVCPK4016N	PVCPKS4016N	N/A	N/A		70	\$517.61
18	PVCPK4018N	PVCPKS4018N	N/A	N/A		75	\$628.39
20	PVCPK4020N	PVCPKS4020N	N/A	N/A		88	\$769.42
24	PVCPK4024N	PVCPKS4024N	N/A	N/A		113	\$891.18
30	PVCPK4030N	PVCPKS4030N	N/A	N/A		217	\$2,357.83
36	PVCPK4036N	PVCPKS4036N	N/A	N/A		272	\$2,876.44

- Packaged with MJ gasket and low alloy steel T-bolts, both of which meet the requirements of ANSI/AWWA C111/A21.11
- Contact factory for custom packaging with longer bolts, Star Blue bolts and nuts or with zinc anode nuts
- Bolts and gaskets are boxed separately from the restraint in the 14 inch and larger sizes.
- Listed by Underwriters Laboratories, 4" through 12" on DR18 C900 PVC Pipe
- Approved by Factory Mutual, 4" through 12" on DR18 C900 PVC Pipe & 4" through 10" on DR14 C900 PVC Pipe
- For use on C909 PVCO Pipe & C901/C906 HDPE Pipe - see catalog for details

PLEASE CALL:

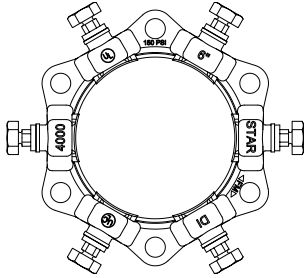
...FOR SPECIAL COATINGS	...FOR STAINLESS STEEL & STAR BLUE ACCESSORIES
-------------------------	--

STAR® PIPE PRODUCTS



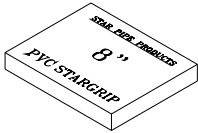


PVC STARGRIP® Series 4000HD
Mechanical Joint Restraint for C900/C905 PVC Pipe,
IPS PVC Pipe, C909 PVCO Pipe & C901/C906 HDPE Pipe



- Mechanical Joint Wedge Action Restraint for use on PVC Pipe
- 3" size for IPS PVC Pipe only
- 4"-12" sizes for C900 and IPS PVC Pipe
- 14"-36" sizes for C905 PVC Pipe only
- For use on C909 PVCO Pipe & C901/C906 HDPE Pipe - see catalog for details

NOM SIZE	ITEM CODE	STARBOND ITEM CODE	CRT QTY	WT	PRICE
3	PVC4003N	PVCS4003N	200	7	\$53.56
4	PVC4004N	PVCS4004N	200	9	\$57.57
6	PVC4006N	PVCS4006N	90	13	\$69.96
8	PVC4008N	PVCS4008N	90	17	\$103.44
10	PVC4010N	PVCS4010N	40	23	\$195.50
12	PVC4012N	PVCS4012N	40	28	\$205.87
14	PVC4014GN	PVCS4014GN	40	50	\$325.00
16	PVC4016GN	PVCS4016GN	10	60	\$437.11
18	PVC4018GN	PVCS4018GN	12	65	\$542.55
20	PVC4020GN	PVCS4020GN	12	76	\$672.28
24	PVC4024GN	PVCS4024GN	10	98	\$776.41
30	PVC4030GN	PVCS4030GN	9	173	\$2,059.12
36	PVC4036N	PVCS4036N	9	219	\$2,582.04



PVC STARGRIP® Series 4000HD
Mechanical Joint Restraint for C900/C905 PVC Pipe,
IPS PVC Pipe, C909 PVCO Pipe & C901/C906 HDPE Pipe
Packaged With Accessories

NOM SIZE	C900/905 PVC PIPE ITEM CODE	STARBOND C900/905 PVC PIPE ITEM CODE	IPS PVC PIPE ITEM CODE	STARBOND IPS PVC PIPE ITEM CODE	CRT QTY	WT	PRICE
3	N/A	N/A	PVCPKT4003N	PVCPKST4003N	132	10	\$79.00
4	PVCPK4004N	PVCPKS4004N	PVCPKT4004N	PVCPKST4004N	132	12	\$85.03
6	PVCPK4006N	PVCPKS4006N	PVCPKT4006N	PVCPKST4006N	99	18	\$106.45
8	PVCPK4008N	PVCPKS4008N	PVCPKT4008N	PVCPKST4008N	60	23	\$143.61
10	PVCPK4010N	PVCPKS4010N	PVCPKT4010N	PVCPKST4010N	40	31	\$250.06
12	PVCPK4012N	PVCPKS4012N	PVCPKT4012N	PVCPKST4012N	40	37	\$262.44
14	PVCPK4014N	PVCPKS4014N	N/A	N/A		60	\$395.85
16	PVCPK4016N	PVCPKS4016N	N/A	N/A		70	\$517.61
18	PVCPK4018N	PVCPKS4018N	N/A	N/A		75	\$628.39
20	PVCPK4020N	PVCPKS4020N	N/A	N/A		88	\$769.42
24	PVCPK4024N	PVCPKS4024N	N/A	N/A		113	\$891.18
30	PVCPK4030N	PVCPKS4030N	N/A	N/A		217	\$2,357.83
36	PVCPK4036N	PVCPKS4036N	N/A	N/A		272	\$2,876.44

- Packaged with MJ gasket and low alloy steel T-bolts, both of which meet the requirements of ANSI/AWWA C111/A21.11
- Contact factory for custom packaging with longer bolts, Star Blue bolts and nuts or with zinc anode nuts
- Bolts and gaskets are boxed separately from the restraint in the 14 inch and larger sizes.
- Listed by Underwriters Laboratories, 4" through 12" on DR18 C900 PVC Pipe
- Approved by Factory Mutual, 4" through 12" on DR18 C900 PVC Pipe & 4" through 10" on DR14 C900 PVC Pipe
- For use on C909 PVCO Pipe & C901/C906 HDPE Pipe - see catalog for details

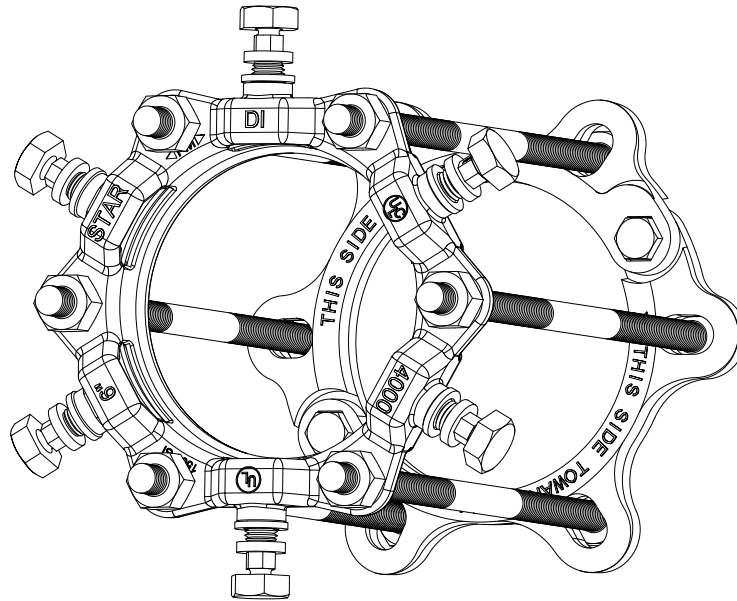
PLEASE CALL:

...FOR SPECIAL COATINGS	...FOR STAINLESS STEEL & STAR BLUE ACCESSORIES
-------------------------	--

STAR PIPE PRODUCTS®



PVC STARGRIP® Series 4100P
for C900/C905 PVC Pipe Bells (New Installations Only)



STAR® PIPE PRODUCTS

SIZE	ITEM CODE	No. RODS	ROD DIA x LENGTH	* MAX. BELL OD	WT	PRICE
4	PVCG4004N	4	3/4 x 17	6.75	24	\$156.37
6	PVCG4006N	6	3/4 x 17	9.23	34	\$198.03
8	PVCG4008N	6	3/4 x 17	11.50	42	\$262.13
10	PVCG4010N	8	3/4 x 24	14.15	61	\$477.14
12	PVCG4012N	8	3/4 x 24	16.53	70	\$496.69
14						
16						
18						
20						
24						
30						
36						

[For sizes 14" - 36" see Series 4400 on next page]

*The connecting rods of the 4100P will NOT clear pipe bells larger than Max Bell OD Listed.

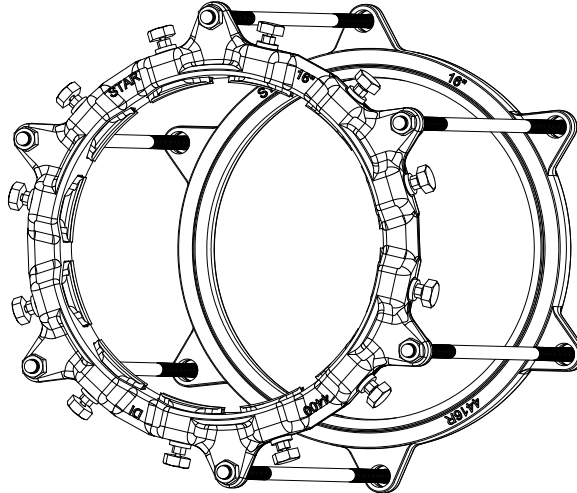
- Includes PVC STARGRIP®, split follower and low alloy steel double ended rods and nuts which meet the requirements of ANSI/AWWA C111/A21.11
- Contact factory for custom packaging with longer bolts, Star Blue bolts and nuts or with zinc alloy nuts

PLEASE CALL:

...FOR SPECIAL COATINGS	...FOR STAINLESS STEEL & STAR BLUE ACCESSORIES
-------------------------	--



**PVC STARGRIP® Series 4400
 for C905 PVC Pipe Bells (New Installations Only)**



SIZE	ITEM CODE	STARBOND ITEM CODE	No. RODS	ROD DIA x LENGTH	* MAX. BELL OD	WT	PRICE
14	PVC4414	PVCS4414	5	1 x 26	20.38	109	\$772.09
16	PVC4416	PVCS4416	6	1 x 26	22.75	134	\$785.05
18	PVC4418	PVCS4418	6	1 x 26	24.88	145	\$972.01
20	PVC4420	PVCS4420	7	1 x 26	27.13	171	\$1,372.79
24	PVC4424	PVCS4424	8	1 1/4 x 32	31.63	265	\$2,022.75
30	PVC4430	PVCS4430	10	1 1/4 x 42	39.25	409	\$3,876.71
36	PVC4436	PVCS4436	12	1 1/4 x 42	46.13	497	\$4,921.03

*The connecting rods of the 4400 will NOT clear pipe bells larger than Max Bell OD Listed.

- Includes modified PVC STARGRIP®, a solid harness ring, nuts, and low alloy steel double ended rods which meet the requirements of ANSI/AWWA C111/A21.11

STAR® PIPE PRODUCTS



PVC Ring Lock (PVCGRIP™) Series 3500
Mechanical Joint Restraint for C900/C905 PVC Pipe,
IPS PVC Pipe, C909 PVCO Pipe & C901/C906 HDPE Pipe

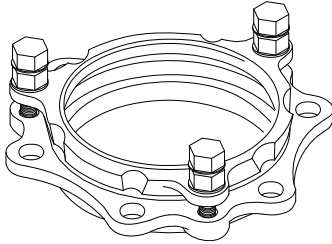


Table with 5 columns: NOM SIZE, ITEM CODE, CRT QTY, WT, PRICE. Rows for sizes 4, 6, 10, 12, 16.

- Mechanical Joint Restraint that provides 360° of pipe engagement for restraining action
Sizes 4"-12" for C900 and IPS PVC pipe
Size 16" for C905 PVC pipe with DI outside diameter only
For use on C909 PVCO Pipe & C901/C906 HDPE Pipe - see catalog for details

PVC Ring Lock (PVCGRIP™) Series 3500
Mechanical Joint Restraint for C900/C905 PVC Pipe,
IPS PVC Pipe, C909 PVCO Pipe & C901/C906 HDPE Pipe
Packaged With Accessories

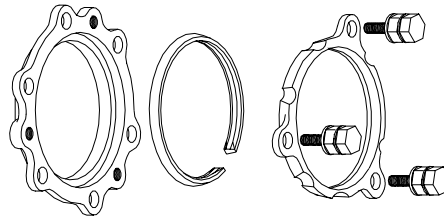
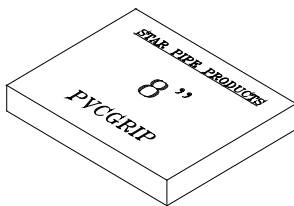


Table with 7 columns: NOM SIZE, C900/C905 PVC PIPE (ITEM CODE, OD), IPS PVC PIPE (ITEM CODE, OD), CRT QTY, WT, PRICE. Rows for sizes 4, 6, 10, 12, 16.

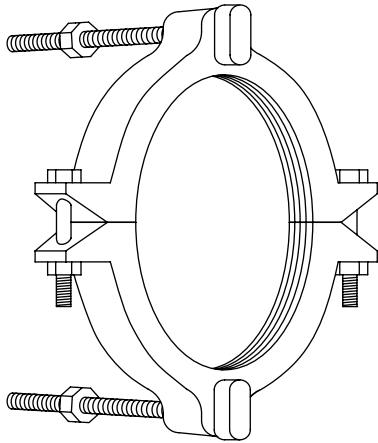
- Packaged with MJ gasket and low alloy steel T-bolts, both of which meet requirements of ANSI/AWWA C111/A21.11
Contact factory for custom packaging with longer bolts, Star Blue bolts and nuts or with zinc anode nuts
Listed by Underwriters Laboratories 4" through 12" on DR18 C900 PVC Pipe
Approved by Factory Mutual 4" through 12" on DR18 C900 PVC Pipe
For use on C909 PVCO Pipe & C901/C906 HDPE Pipe - see catalog for details

PLEASE CALL:

Two boxes containing text: "...FOR SPECIAL COATINGS" and "...FOR STAINLESS STEEL & STAR BLUE ACCESSORIES"

STAR PIPE PRODUCTS

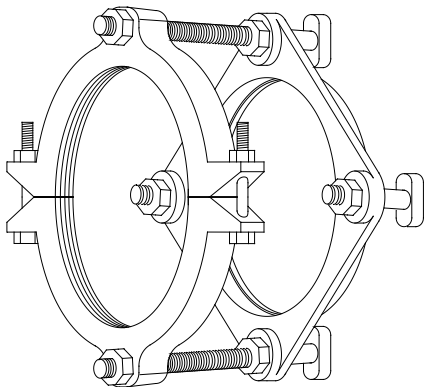




- Sizes 4" through 12" individually packaged
- C900/C905 PVC Restrainers coated black
- Packaged with T-bolts/hex nuts (low alloy steel in accordance with ANSI/AWWA C111/A21.11) and clamping bolts (SAE J429 GRADE 5)
- Approved by Factory Mutual 4" through 6" on DR18 C900 PVC Pipe
- Please contact factory for ductile iron pipe applications

**PVC RESTRAINERS Series 1000C
for C900/C905 PVC Pipe to Fittings**

NOM SIZE	ITEM CODE	STARBOND ITEM CODE	PIPE OD	CRT QTY	WT	PRICE
4	PRC1004	PRCS1004	4.80	300	8	\$56.89
6	PRC1006	PRCS1006	6.90	234	10	\$69.85
8	PRC1008	PRCS1008	9.05	132	15	\$116.43
10	PRC1010	PRCS1010	11.10	88	25	\$195.60
12	PRC1012	PRCS1012	13.20	88	27	\$209.23
14	PRC1014	PRCS1014	15.30		68	\$401.06
16	PRC1016	PRCS1016	17.40		62	\$417.48
18	PRC1018	PRCS1018	19.50		78	\$500.98
20	PRC1020	PRCS1020	21.60		113	\$690.92
24	PRC1024	PRCS1024	25.80		145	\$1,059.98
30	PRC1030	PRCS1030	32.00		247	\$1,884.14
36	PRC1036	PRCS1036	38.30		304	\$2,261.37
42	PRC1042ST	PRCS1042ST	44.50		1003	\$6,114.70
48	PRC1048ST	PRCS1048ST	50.80		1166	\$6,707.01



- Sizes 4" through 12" individually packaged
- C900/C905 PVC Restrainers coated black
- Packaged with T-bolts/hex nuts (low alloy steel in accordance with ANSI/AWWA C111/A21.11), clamping bolts (SAE J429 GRADE 5), MJ gland and MJ gasket
- Please contact factory for ductile iron pipe applications

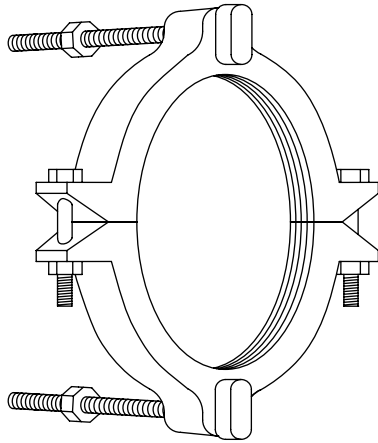
**PVC RESTRAINERS Series 1000CP
for C900/C905 PVC Pipe to Fittings
with MJ Accessories**

NOM SIZE	ITEM CODE	STARBOND ITEM CODE	PIPE OD	WT	PRICE
4	PRCP1004	PRCPS1004	4.80	14	\$88.24
6	PRCP1006	PRCPS1006	6.90	20	\$113.47
8	PRCP1008	PRCPS1008	9.05	27	\$165.50
10	PRCP1010	PRCPS1010	11.10	38	\$265.11
12	PRCP1012	PRCPS1012	13.20	41	\$282.83
14	PRCP1014	PRCPS1014	15.30	78	\$513.37
16	PRCP1016	PRCPS1016	17.40	92	\$537.42
18	PRCP1018	PRCPS1018	19.50	118	\$663.17
20	PRCP1020	PRCPS1020	21.60	168	\$1,059.51
24	PRCP1024	PRCPS1024	25.80	223	\$1,252.55
30	PRCP1030	PRCPS1030	32.00	396	\$2,848.88
36	PRCP1036	PRCPS1036	38.30	547	\$3,578.11
42	PRCP1042ST	PRCPS1042ST	44.50	1242	\$7,956.80
48	PRCP1048ST	PRCPS1048ST	50.80	1456	\$9,074.90

PLEASE CALL:

...FOR SPECIAL COATINGS	...FOR STAINLESS STEEL & STAR BLUE ACCESSORIES
-------------------------	--

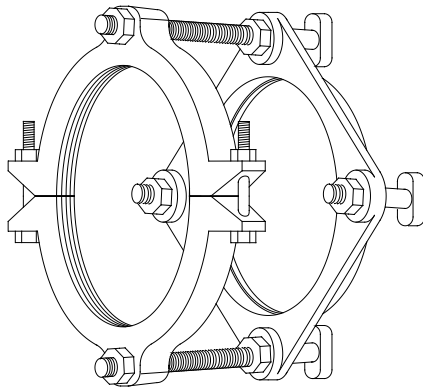
STAR[®] PIPE PRODUCTS



**PVC RESTRAINERS Series 1000S
for IPS PVC Pipe to Mechanical Joint
or Push-On Fittings**

NOM SIZE	ITEM CODE	PIPE OD	CRT QTY	WT	PRICE
4	PRS1004	4.50	300	8	\$60.72
6	PRS1006	6.625	234	10	\$74.41
8	PRS1008	8.625	132	15	\$99.67
10	PRS1010	10.75	88	25	\$208.47
12	PRS1012	12.75	88	27	\$222.86

- Sizes 4" through 12" individually packaged
- IPS Restrainers coated green
- Packaged with T-bolts/hex nuts (low alloy steel in accordance with ANSI/AWWA C111/A21.11) and clamping bolts (SAE J429 GRADE 5)



**PVC RESTRAINERS Series 1000SP
for IPS PVC Pipe with
MJ Transition Accessories**

NOM SIZE	ITEM CODE	PIPE OD	WT	PRICE
4	PRSP1004	4.50	14	\$93.43
6	PRSP1006	6.625	20	\$119.38
8	PRSP1008	8.625	28	\$150.10
10	PRSP1010	10.75	38	\$280.71
12	PRSP1012	12.75	42	\$297.83

- Sizes 4" through 12" individually packaged
- IPS Restrainers coated green
- Packaged with T-bolts/hex nuts (low alloy steel in accordance with ANSI/AWWA C111/A21.11), clamping bolts (SAE J429 GRADE 5), MJ gland and MJ transition gasket

PLEASE CALL:

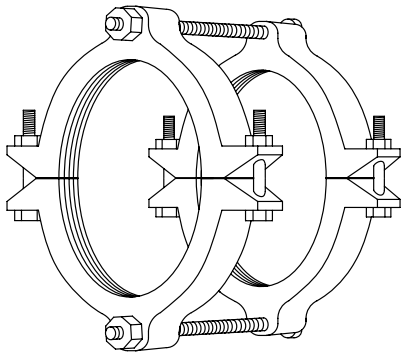
...FOR SPECIAL COATINGS	...FOR STAINLESS STEEL & STAR BLUE ACCESSORIES
-------------------------	--

STAR[®] PIPE PRODUCTS



* REGISTERED TRADEMARK OF STAR PIPE PRODUCTS

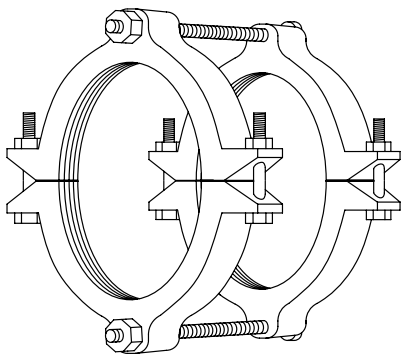
STAR PIPE PRODUCTS
HOUSTON CORPORATE TOLL FREE 1-800-999-3009 FAX 281-558-9000
www.starpipeproducts.com



- Sizes 4" through 12" individually packaged
- C900/C905 PVC Restrainers coated black
- Packaged with rods/hex nuts (low alloy steel in accordance with ANSI/AWWA C111/A21.11) and clamping bolts (SAE J429 GRADE 5)
- Approved by Factory Mutual 4" through 6" on DR18 C900 PVC Pipe
- Please contact factory for ductile iron pipe applications

**PVC RESTRAINERS Series 1100C
for C900/C905 PVC Pipe to Pipe**

NOM SIZE	ITEM CODE	STARBOND ITEM CODE	PIPE OD	CRT QTY	WT	PRICE
4	PRC1104	PRCS1104	4.80	130	16	\$83.11
6	PRC1106	PRCS1106	6.90	104	20	\$106.25
8	PRC1108	PRCS1108	9.05	66	32	\$177.95
10	PRC1110	PRCS1110	11.10	44	52	\$309.24
12	PRC1112	PRCS1112	13.20	44	56	\$338.49
14	PRC1114	PRCS1114	15.30		150	\$772.09
16	PRC1116	PRCS1116	17.40		117	\$785.05
18	PRC1118	PRCS1118	19.50		147	\$972.01
20	PRC1120	PRCS1120	21.60		206	\$1,372.79
24	PRC1124	PRCS1124	25.80		265	\$2,022.75
30	PRC1130	PRCS1130	32.00		492	\$3,876.71
36	PRC1136	PRCS1136	38.30		561	\$4,921.03
42	PRC1142ST	PRCS1142ST	44.50		1916	\$11,463.27
48	PRC1148ST	PRCS1148ST	50.80		2242	\$12,733.03



- Sizes 4" through 12" individually packaged
- IPS Restrainers coated green
- Packaged with rods/hex nuts (low alloy steel in accordance with ANSI/AWWA C111/A21.11) and clamping bolts (SAE J429 Grade 5)

**PVC RESTRAINERS Series 1100S
for IPS PVC Pipe to Pipe**

NOM SIZE	ITEM CODE	STARBOND ITEM CODE	PIPE OD	CRT QTY	WT	PRICE
4	PRS1104	PRSS1104	4.500	130	16	\$85.29
6	PRS1106	PRSS1106	6.625	104	20	\$101.07
8	PRS1108	PRSS1108	8.625	66	32	\$184.60
10	PRS1110	PRSS1110	10.750	44	52	\$320.78
12	PRS1112	PRSS1112	12.750	44	56	\$350.97

PLEASE CALL:

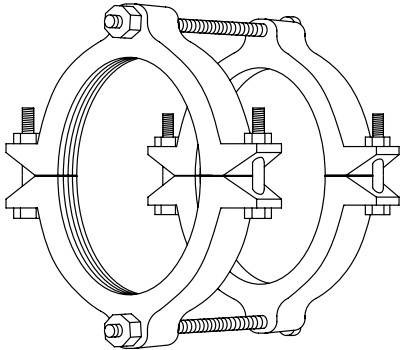
...FOR SPECIAL COATINGS	...FOR STAINLESS STEEL & STAR BLUE ACCESSORIES
-------------------------	--

* REGISTERED TRADEMARK OF STAR PIPE PRODUCTS





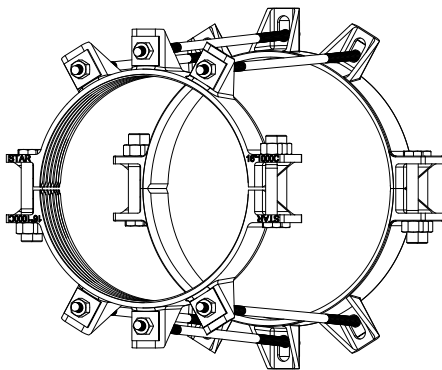
**PVC RESTRAINERS Series 1200C
for C900/C905 PVC Pipe with Split Backup Ring for
C907 PVC Pressure Fitting Bells**



NOM SIZE	ITEM CODE	STARBOND ITEM CODE	PIPE OD	CRT QTY	WT	PRICE
4	PRC1204	PRCS1204	4.80	130	14	\$89.81
6	PRC1206	PRCS1206	6.90	104	17	\$120.41
8	PRC1208	PRCS1208	9.05	66	30	\$196.60

- Sizes 4" through 12" individually packaged
- C900 PVC Restrainers coated black
- Packaged with T-bolts/rods/hex nuts (low alloy steel in accordance with ANSI/AWWA C111/A21.11) and clamping bolts (SAE J429 Grade 5)
- 4" - 12" are sized for either PC235 psi molded AWWA C907 PVC pressure fittings or PR235 psi fabricated PVC pressure fittings
- Split back-up rings for series 1200C restrainers are specially built to the specific dimension of the PVC fitting bell
- Please note the pressure rating of the fitting at the time of order.

**PVC RESTRAINERS Series 1200R
for C905 PVC Pipe with Split Backup Ring for
14"-24" IPEX PR235 psi Fabricated PVC Pressure Fittings**



NOM SIZE	ITEM CODE	CRT QTY	WT	PIPE OD	PRICE
14	PRC1214R		130	15.30	\$923.11
16	PRC1216R		123	17.40	\$1,058.83
18	PRC1218R		150	19.50	\$1,154.63
20	PRC1220R		220	21.60	\$1,646.29
24	PRC1224R		290	25.80	\$2,062.45

- C905 PVC Restrainers coated black
- Packaged with T-bolts/rods/hex nuts (low alloy steel in accordance with ANSI/AWWA C111/A21.11) and clamping bolts (SAE J429 Grade 5)
- Split back-up rings for series 1200C restrainers are specially built to the specific dimension of the PVC fitting bell
- Contact Star for use with other PVC pressure fitting manufacturers.

PLEASE CALL:

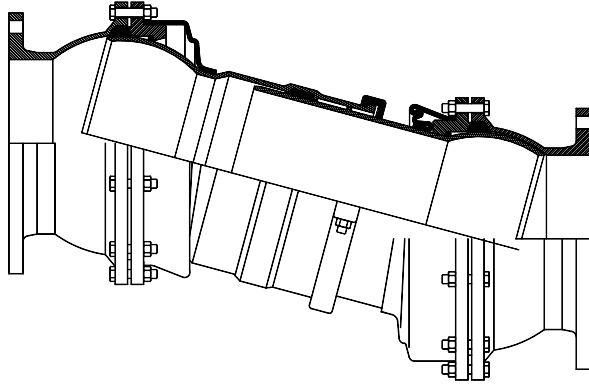
...FOR SPECIAL COATINGS	...FOR STAINLESS STEEL & STAR BLUE ACCESSORIES
-------------------------	--

STAR[®] PIPE PRODUCTS





**STARFLEX™ Series 5000 Pipe Joint
 Double Ball Flexible Expansion Joint**



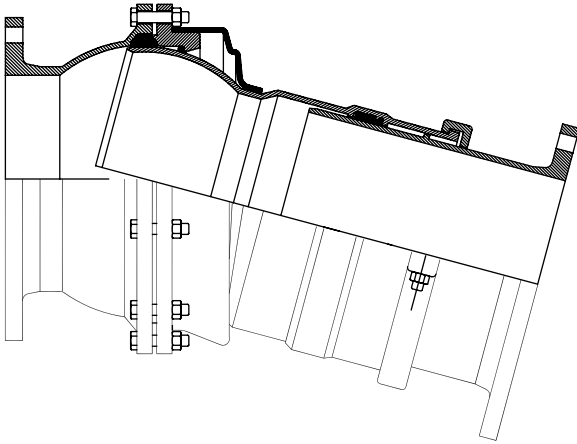
NOM SIZE	ITEM CODE 50%/50% Set Point	STANDARD EXPANSION (inches)	WT	PRICE
3	FPJ5003E04N	4	109	CALL
	FPJ5003E08N	8	132	CALL
4	FPJ5004E04N	4	141	CALL
	FPJ5004E08N	8	173	CALL
	FPJ5004E12N	12	196	CALL
	FPJ5004E16N	16	219	CALL
6	FPJ5006E04N	4	202	CALL
	FPJ5006E08N	8	256	CALL
	FPJ5006E12N	12	290	CALL
	FPJ5006E16N	16	323	CALL
8	FPJ5008E04N	4	402	CALL
	FPJ5008E08N	8	273	CALL
	FPJ5008E12N	12	342	CALL
	FPJ5008E16N	16	386	CALL
10	FPJ5008E24N	24	430	CALL
	FPJ5010E04N	4	518	CALL
	FPJ5010E08N	8	331	CALL
	FPJ5010E12N	12	428	CALL
12	FPJ5010E16N	16	483	CALL
	FPJ5010E24N	24	536	CALL
	FPJ5012E04N	4	659	CALL
	FPJ5012E08N	8	463	CALL
14	FPJ5012E12N	12	575	CALL
	FPJ5012E16N	16	639	CALL
	FPJ5012E24N	24	703	CALL
	FPJ5014E08N	8	849	CALL
16	FPJ5014E12N	12	839	CALL
	FPJ5014E16N	16	998	CALL
	FPJ5014E24N	24	1095	CALL
	FPJ5016E08N	8	1288	CALL
18	FPJ5016E12N	12	969	CALL
	FPJ5016E16N	16	1148	CALL
	FPJ5016E24N	24	1258	CALL
	FPJ5018E08N	8	1507	CALL
20	FPJ5018E12N	12	1080	CALL
	FPJ5018E16N	16	1305	CALL
	FPJ5018E24N	24	1430	CALL
	FPJ5020E08N	8	1761	CALL
24	FPJ5020E12N	12	1251	CALL
	FPJ5020E16N	16	1538	CALL
	FPJ5020E24N	24	1686	CALL
	FPJ5024E08N	8	1980	CALL
30	FPJ5024E12N	12	1672	CALL
	FPJ5024E16N	16	2029	CALL
	FPJ5024E24N	24	2216	CALL
	FPJ5030E12N	12	2606	CALL
36	FPJ5030E24N	24	4291	CALL
	FPJ5036E12N	12	5060	CALL
48	FPJ5036E24N	24	5437	CALL
	FPJ5048E12N	12	6633	CALL
	FPJ5048E24N	24	9049	CALL
			10536	CALL

Please contact factory for sizes larger than 48",
 for questions regarding additional expansion,
 or if application requires MJ end connections

STAR[®] PIPE PRODUCTS



**STARFLEX™ Series 5100 Pipe Joint
Single Ball Flexible Expansion Joint**




NOM SIZE	ITEM CODE 50%/50% Set Point	STANDARD EXPANSION (inches)	WT	PRICE
3	FPJS5103E04N	4	79	CALL
	FPJS5103E08N	8	100	CALL
4	FPJS5104E04N	4	119	CALL
	FPJS5104E08N	8	133	CALL
	FPJS5104E12N	12	156	CALL
	FPJS5104E16N	16	179	CALL
6	FPJS5106E04N	4	146	CALL
	FPJS5106E08N	8	198	CALL
	FPJS5106E12N	12	232	CALL
	FPJS5106E16N	16	266	CALL
8	FPJS5108E04N	4	227	CALL
	FPJS5108E08N	8	295	CALL
	FPJS5108E12N	12	340	CALL
	FPJS5108E16N	16	382	CALL
10	FPJS5110E04N	4	252	CALL
	FPJS5110E08N	8	335	CALL
	FPJS5110E12N	12	389	CALL
	FPJS5110E16N	16	444	CALL
12	FPJS5112E04N	4	335	CALL
	FPJS5112E08N	8	450	CALL
	FPJS5112E12N	12	506	CALL
	FPJS5112E16N	16	571	CALL
14	FPJS5114E04N	4	710	CALL
	FPJS5114E08N	8	627	CALL
	FPJS5114E12N	12	780	CALL
	FPJS5114E16N	16	878	CALL
16	FPJS5116E04N	4	1073	CALL
	FPJS5116E08N	8	724	CALL
	FPJS5116E12N	12	903	CALL
	FPJS5116E16N	16	1014	CALL
18	FPJS5118E04N	4	1239	CALL
	FPJS5118E08N	8	801	CALL
	FPJS5118E12N	12	1013	CALL
	FPJS5118E16N	16	1141	CALL
20	FPJS5120E04N	4	1433	CALL
	FPJS5120E08N	8	913	CALL
	FPJS5120E12N	12	1232	CALL
	FPJS5120E16N	16	1375	CALL
24	FPJS5124E04N	4	1671	CALL
	FPJS5124E08N	8	1247	CALL
	FPJS5124E12N	12	1615	CALL
	FPJS5124E16N	16	1805	CALL
30	FPJS5130E04N	4	2184	CALL
	FPJS5130E12N	12	3241	CALL
	FPJS5130E24N	24	3917	CALL
36	FPJS5136E12N	12	3912	CALL
	FPJS5136E24N	24	4998	CALL
48	FPJS5148E12N	12	*** Please Call ***	
	FPJS5148E24N	24	*** Please Call ***	


Please contact factory for sizes 48" and larger, for questions regarding additional expansion, or if application requires MJ end connections


STAR[®] PIPE PRODUCTS




STARFLEX™
Series 5000, 5100, 5200, 5300

 Sizes: 3"-48"	Series 5000 STARFLEX™
	<p>Double Ball Flexible Expansion Pipe Joint (see pg. 18 for pricing)</p>

 Sizes: 3"-48"	Series 5100 STARFLEX™
	<p>Single Ball Flexible Expansion Pipe Joint (see pg. 19 for pricing)</p>

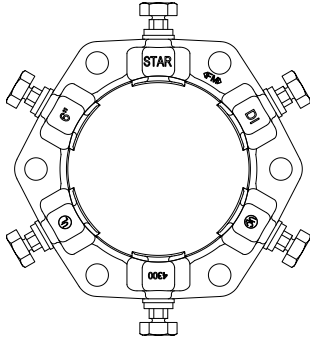
 Sizes: 3"-48"	Series 5200 STARFLEX™
	<p>Single Ball Flexible Pipe Joint (Call Star® Pipe Products for pricing)</p>

 Sizes: 4"-36"	Series 5300 STARFLEX™
	<p>Expansion Pipe Joint (Call Star® Pipe Products for pricing)</p>

STAR® PIPE PRODUCTS



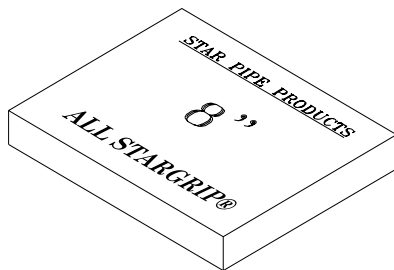
ALL STARGRIP® Series 4300
**Mechanical Joint Restraint for DIP/Steel/C900/C909/
 HDPE/IPS PVC Pipe**



SIZE	ITEM CODE	CRATE QTY	WT. (LBS)	PRICE
4	ASG4304	200	9.5	\$56.76
6	ASG4306	90	13.4	\$68.98
8	ASG4308	90	21.0	\$102.00
10	ASG4310	40	28.7	\$192.75
12	ASG4312	40	32.8	\$202.99

- Mechanical Joint Restraint for DIP/Steel/C900/C909/HDPE/IPS PVC Pipe
- Listed with UL & ULC for sizes 4" through 12"
- Approved by Factory Mutual 4" through 12"

ALL STARGRIP® Series 4300P
**Mechanical Joint Restraint for DIP/Steel/C900/C909/
 HDPE/IPS PVC Pipe**
Packaged with Accessories



SIZE	CIOD DIP/PVC PIPE ITEM CODE	STEEL PIPE/IPS PVC ITEM CODE	CRATE QTY	WT. (LBS)	PRICE
4	ASGPK4304	ASGPKT4304	132	13.1	\$83.84
6	ASGPK4306	ASGPKT4306	99	18.7	\$104.96
8	ASGPK4308	ASGPKT4308	60	26.8	\$141.59
10	ASGPK4310	ASGPKT4310	40	36.3	\$246.56
12	ASGPK4312	ASGPKT4312	40	40.4	\$258.76

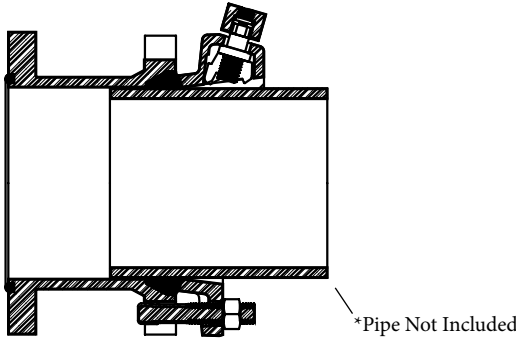
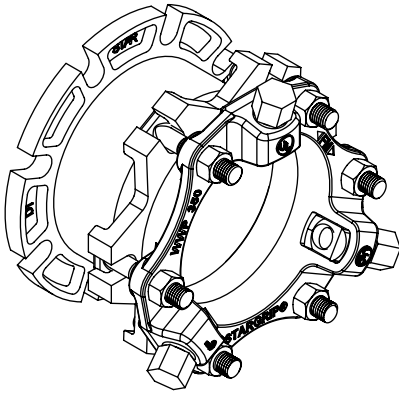
- Packaged with MJ Gasket and low alloy steel T-bolts & hex nuts (both of which meet the requirements of ANSI/AWWA C111/A21.11)
- Listed with UL & ULC for sizes 4" through 12"
- Approved by Factory Mutual 4" through 12"

PLEASE CALL:

...FOR STAINLESS STEEL & STAR BLUE ACCESSORIES

STAR® PIPE PRODUCTS

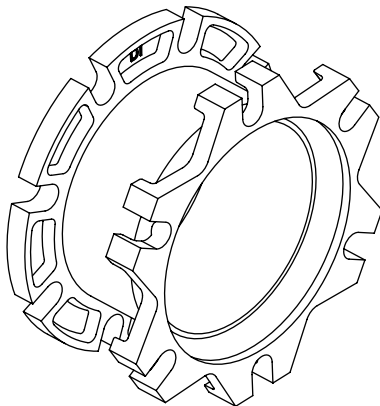
**STARFLANGE™ Series 3200
 Adapter with STARGRIP®
 for Ductile Iron Pipe**



NOM SIZE	ITEM CODE	WT	PRICE
3	RAC3203N	17	\$176.31
4	RAC3204N	23	\$194.94
6	RAC3206N	35	\$291.40
8	RAC3208N	47	\$457.73
10	RAC3210N	64	\$630.04
12	RAC3212	87	\$837.62
14	RAC3214	128	\$1,707.16
16	RAC3216	152	\$2,057.11
18	RAC3218	182	\$2,316.92
20	RAC3220	204	\$2,674.19
24	RAC3224	300	\$3,449.27
30	RAC3230	520	\$5,132.82
36	RAC3236	688	\$6,809.39

- Includes Stargrip® with standard coating, STARFLANGE adapter with fusion bond epoxy, MJ gasket, o-ring flange gasket and low alloy steel T-bolts

STARFLANGE™ Adapter Only

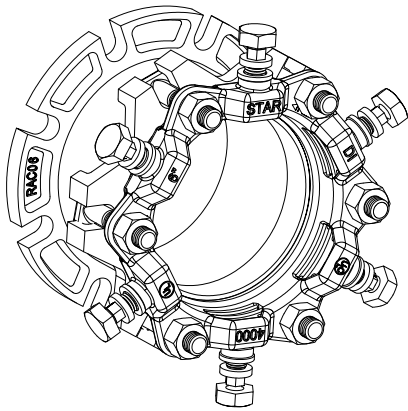


- Includes STARFLANGE adapter with fusion bond epoxy and o-ring flange gasket

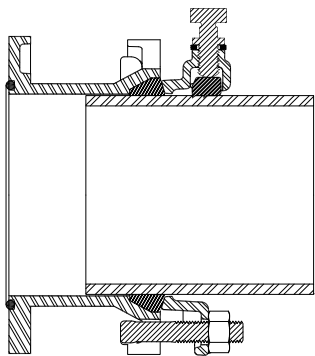
NOM SIZE	ITEM CODE	CRT QTY	WT	PRICE
3	RAC03G	100	10	\$102.46
4	RAC04G	80	14	\$115.76
6	RAC06G	45	22	\$192.27
8	RAC08G	45	30	\$322.00
10	RAC10G	20	41	\$435.77
12	RAC12G	20	56	\$576.82
14	RAC14G	12	74	\$1,362.54
16	RAC16G	4	93	\$1,596.07
18	RAC18G	4	113	\$1,701.84
20	RAC20G	4	133	\$1,926.39
24	RAC24G	4	180	\$2,440.33
30	RAC30G	4	280	\$3,019.15
36	RAC36G	3	404	\$3,936.94

PLEASE CALL:

...FOR SPECIAL COATINGS	...FOR STAINLESS STEEL & STAR BLUE ACCESSORIES
-------------------------	--



**PVC STARFLANGE™ Series 4200
Adapter with PVC Stargrip®
for C900/C905 PVC Pipe and IPS PVC Pipe**

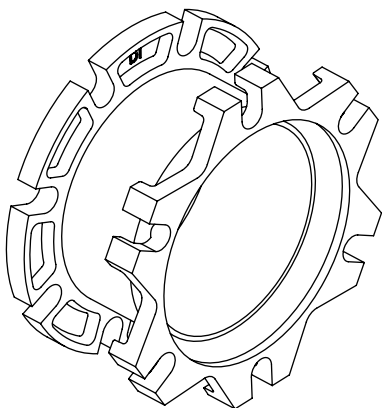


*Pipe Not Included

NOM SIZE	C900/C905 PVC PIPE	IPS PVC PIPE	WT	PRICE
3	N/A	RACT4203N	20	\$187.95
4	RAC4204N	RACT4204N	27	\$206.25
6	RAC4206N	RACT4206N	39	\$307.70
8	RAC4208N	RACT4208N	53	\$478.35
10	RAC4210N	RACT4210N	72	\$705.22
12	RAC4212N	RACT4212N	92	\$862.57
14	RAC4214N	N/A	134	\$1,847.55
16	RAC4216N	N/A	162	\$2,169.88
18	RAC4218N	N/A	188	\$2,566.41
20	RAC4220N	N/A	220	\$2,874.11
24	RAC4224N	N/A	293	\$3,695.76
30	RAC4230N	N/A	453	\$5,543.31
36	RAC4236N	N/A	623	\$6,980.36

- Includes PVC Stargrip with standard coating, STARFLANGE adapter with fusion bond epoxy, MJ gasket, o-ring flange gasket and low alloy steel T-bolts (A transition MJ gasket is required with IPS pipe.)

STARFLANGE™ Adapter Only



NOM SIZE	ITEM CODE	CRT QTY	WT	PRICE
3	RAC03G	100	10	\$102.46
4	RAC04G	80	14	\$115.76
6	RAC06G	45	22	\$192.27
8	RAC08G	45	30	\$322.00
10	RAC10G	20	41	\$435.77
12	RAC12G	20	56	\$576.82
14	RAC14G	12	74	\$1,362.54
16	RAC16G	4	93	\$1,596.07
18	RAC18G	4	113	\$1,701.84
20	RAC20G	4	133	\$1,926.39
24	RAC24G	4	180	\$2,440.33
30	RAC30G	4	280	\$3,019.15
36	RAC36G	3	404	\$3,936.94

- Includes STARFLANGE adapter with fusion bond epoxy and o-ring flange gasket

PLEASE CALL:

...FOR SPECIAL COATINGS	...FOR STAINLESS STEEL & STAR BLUE ACCESSORIES
-------------------------	--

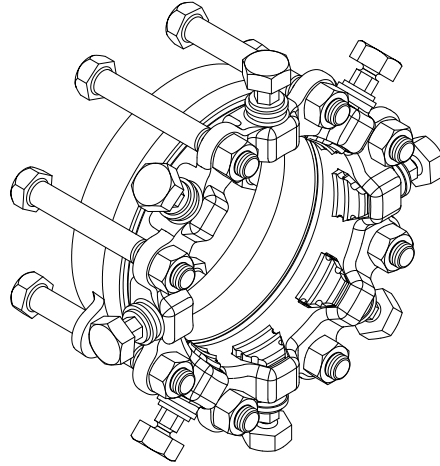
STAR® PIPE PRODUCTS



* REGISTERED TRADEMARK OF STAR PIPE PRODUCTS

STAR PIPE PRODUCTS
HOUSTON CORPORATE TOLL FREE 1-800-999-3009 FAX 281-558-9000
www.starpipeproducts.com

SUPER FLANGE™ Series 7200
Adapts Ductile Iron, PVC & Steel Pipe to Flange Connections



NOM SIZE	DIP OR C900/C905 PVC PIPE	IPS PVC OR STEEL PIPE	WT	PRICE
3	RSF7203	RSFT7203	13	\$146.58
4	RSF7204	RSFT7204	20	\$187.59
6	RSF7206	RSFT7206	29	\$275.67
8	RSF7208	RSFT7208	35	\$435.43
10	RSF7210	RSFT7210	60	\$617.67
12	RSF7212	RSFT7212	72	\$792.06
14	RSF7214		89	\$1,346.61
16	RSF7216		110	\$1,980.33
18	RSF7218		140	\$2,217.84
20	RSF7220		165	\$2,447.50
24	RSF7224		198	\$2,984.57
30	RSF7230		363	\$3,882.55
36	RSF7236		541	\$5,940.97

- Packaged with restraint gland, flange adapter ring, gaskets and hex head bolts and nuts
- Listed by Underwriters Laboratories, 3" through 12" for ductile iron and steel pipe
- Approved by Factory Mutual, 4" through 12" for C900 PVC DR 18 pipe and 4" through 10" for C900 PVC DR 14 pipe
- Contact factory for Star Blue or Stainless Steel hardware

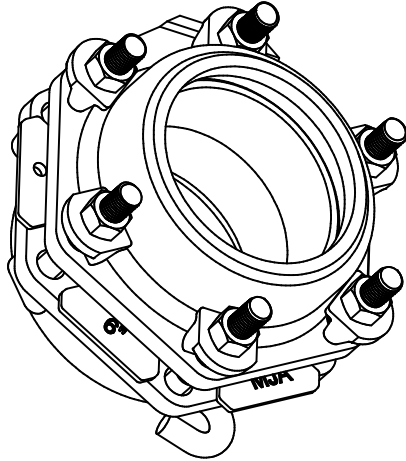
PLEASE CALL:

...FOR SPECIAL COATINGS	...FOR STAINLESS STEEL & STAR BLUE ACCESSORIES
-------------------------	--

STAR[®] PIPE PRODUCTS



**MJxMJ Adapter Series 100
For MJ Bell Connections**



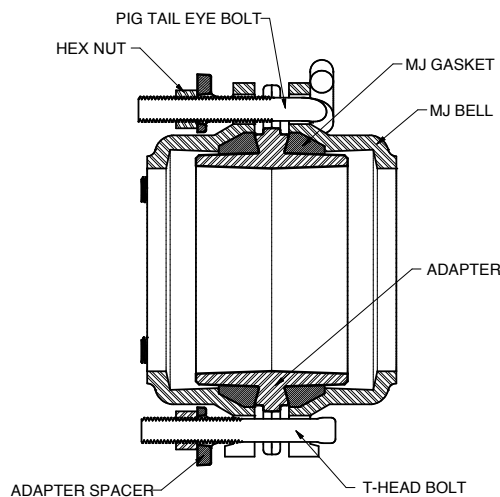
NOM SIZE	ITEM CODE*	FBE ITEM CODE**	WT	PRICE
3	MJA03	MJA03FCB	10	CALL
4	MJA04	MJA04FCB	16	CALL
6	MJA06	MJA06FCB	23	CALL
8	MJA08	MJA08FCB	29	CALL
10	MJA10	MJA10FCB	41	CALL
12	MJA12	MJA12FCB	45	CALL
14		MJA14FCB	69	CALL
16		MJA16FCB	80	CALL
18		MJA18FCB	98	CALL
20		MJA20FCB	111	CALL
24		MJA24FCB	130	CALL
30		MJA30FCB	229	CALL
36		MJA36FCB	289	CALL

NOTE: Product is supplied with MJ x MJ adapter, 2 MJ gaskets, T-bolts, pigtail bolts (as required), nuts and spacers.

* Asphaltic Coated with HSLA Hardware

** FBE Coated with Star Blue HSLA Hardware

- MJ x MJ Adapter and all required hardware are packaged separately.
- T-Head bolts and pigtail bolts made from low alloy high strength steel per ANSI/AWWA C111.A21.11
- Standard MJ gaskets are made from styrene butadiene rubber (SBR) per ANSI/AWWA C111/A-21.11.



PLEASE CALL:

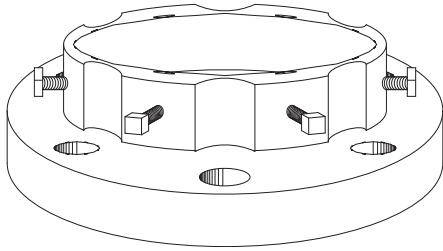
...FOR SPECIAL COATINGS	...FOR STAINLESS STEEL & STAR BLUE ACCESSORIES
-------------------------	--

STAR[®] PIPE PRODUCTS





STAR[®] PIPE PRODUCTS



All adapter flanges come with a standard MJ gasket for ductile iron pipe or transition gasket for steel pipe.

ADAPTER FLANGE Series 200
For Ductile Iron and Steel Pipe
Flange Drilling ANSI B16.1/ 125 lb. / ANSI B16.5 150 lb.

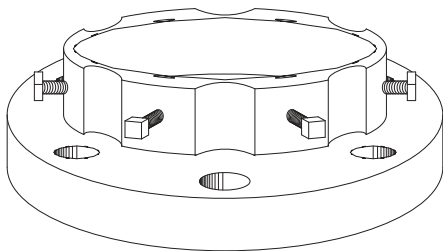
Working Pressure - 3" Through 8" 200 PSI / 10" Through 12" 175 PSI
 Underwriters Laboratory Listed 3"-12"

NOM SIZE	DUCTILE IRON PIPE		IPS PIPE		CRT QTY	WT*	PRICE
	CODE	OD	CODE	OD			
3	SF203G	3.96	SF203TG	3.500	400	6	\$63.87
4	SF204G	4.80	SF204TG	4.500	350	8	\$86.34
6	SF206G	6.90	SF206TG	6.625	198	11	\$93.00
8	SF208G	9.05	SF208TG	8.625	117	17	\$129.15
10	SF210G	11.10	SF210TG	10.750	65	25	\$231.99
12	SF212G	13.20	SF212TG	12.750	44	34	\$270.59

ADAPTER FLANGE Series 400
for Ductile Iron and Steel Pipe

Flange Drilling ANSI B16.1 125 lb. / ANSI B16.5 150 lb.

Working Pressure - 4" Through 12" 250 PSI / 14" Through 24" 150 PSI / 30" & 36" 100 PSI
 Underwriters Laboratory Listed 3"-12"

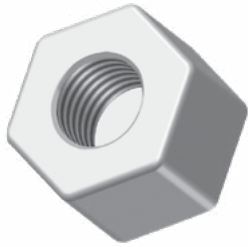


All adapter flanges come with a standard MJ gasket for ductile iron pipe or transition gasket for steel pipe.

NOM SIZE	DUCTILE IRON PIPE		IPS PIPE		CRT QTY	WT	PRICE
	CODE	OD	CODE	OD			
3	SF403GN	3.96	SF403TGN	3.500	400	6	\$94.41
4	SF404GN	4.80	SF404TGN	4.500	350	8	\$99.67
6	SF406GN	6.90	SF406TGN	6.625	198	11	\$125.64
8	SF408GN	9.05	SF408TGN	8.625	117	17	\$137.93
10	SF410GN	11.10	SF410TGN	10.750	65	25	\$281.83
12	SF412GN	13.20	SF412TGN	12.750	44	34	\$332.36
14	SF414G	15.30	N/A	N/A		53	\$615.24
16	SF416G	17.40	N/A	N/A		69	\$770.71
18	SF418G	19.50	N/A	N/A		76	\$871.44
20	SF420G	21.60	N/A	N/A		95	\$1,053.59
24	SF424G	25.80	N/A	N/A		131	\$1,421.05
30	SF430G	32.00	N/A	N/A		206	\$2,436.39
36	SF436G	38.30	N/A	N/A		300	\$3,580.17

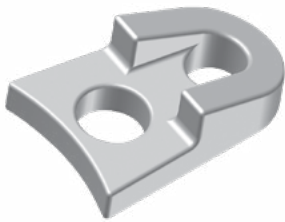
PLEASE CALL:

...FOR SPECIAL COATINGS	...FOR STAINLESS STEEL & STAR BLUE ACCESSORIES
-------------------------	--



ZINC ANODE NUT

NOM SIZE	ITEM CODE	CRT QTY	WT	PRICE
3/4	ANODE6OZ	2000	0.4	\$10.00



STARLUG (or Duc-Lug®) - Mechanical Joint Threaded-Rod Restraint System

NOM SIZE	ITEM CODE	CRT QTY	WT	PRICE
4 - 16	STARLUG	2000	0.8	\$5.25

**Duc-Lug is a registered trademark of Astral Corporation.*

STAR[®] PIPE PRODUCTS

