



**CHAFFOTEAUX  
& MAURY**

## SPARE PARTS EXPLODED VIEW GAS WALL BOILERS

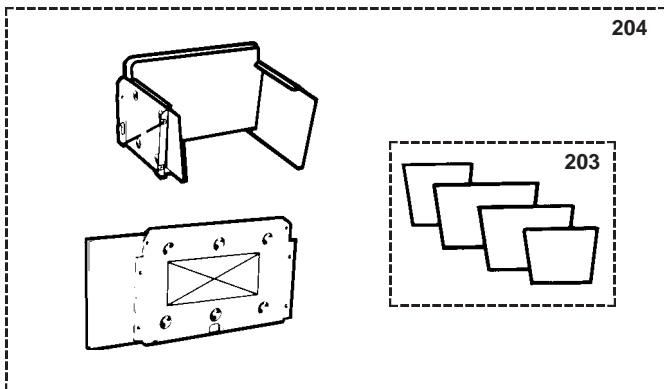
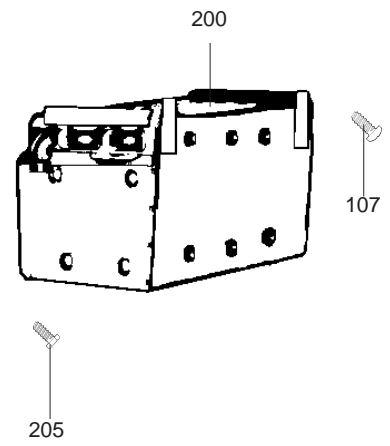
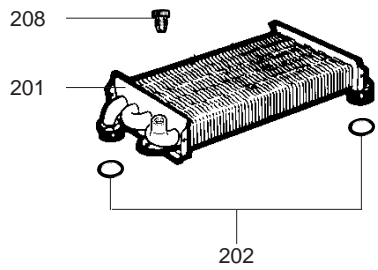
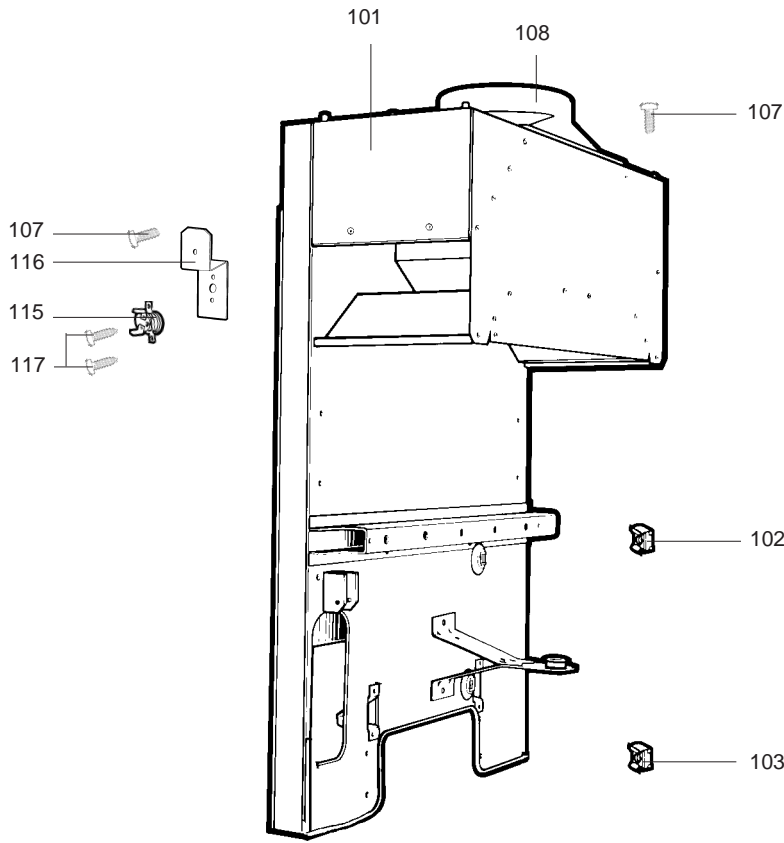
Model

### **CELTIC & TIG 35 HP - FLEXIFLAME 35**

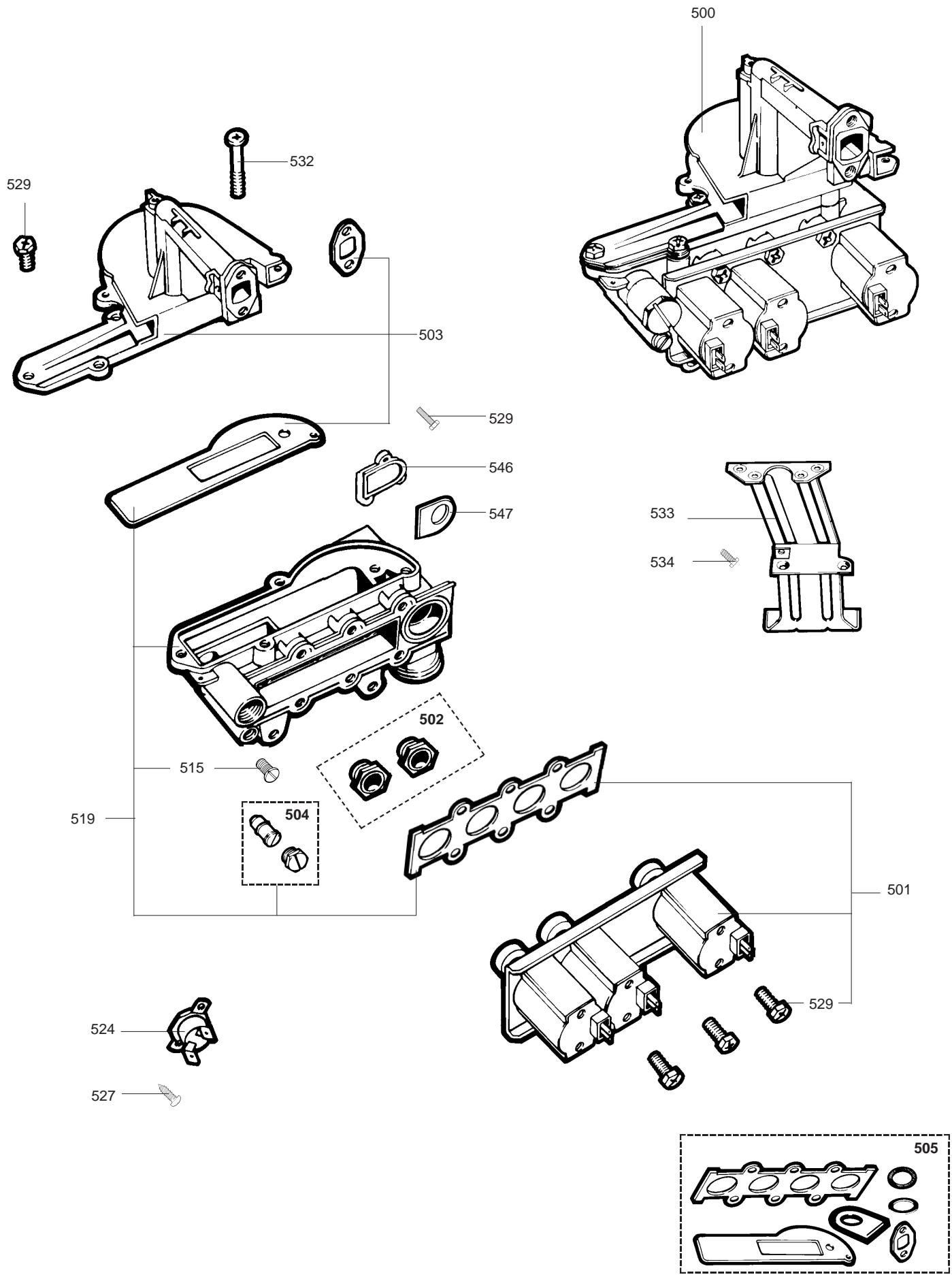
R8202219-03EN - Edition 03 - 12/07/2005



800 227 631	31	CELTIC 2.35 HP CF NAT	01/96	...
217 631	31	CELTIC 1.35 HP CF NAT	10/94	04/95
800 217 631	32	CELTIC 1.35 HP CF NAT	01/96	...
247 631	31	TIG 35 HP CF NAT	11/94	09/95
800 247 631	32	TIG 35 HP CF NAT	01/96	...
800 218 631	31	FLEXIFLAME 35 NAT	05/96	03/97
800 218 631	32	FLEXIFLAME 35 NAT	04/97	...
800 218 621	31	FLEXIFLAME 35 B/P	05/96	03/97
800 218 621	32	FLEXIFLAME 35 B/P	04/97	...
Reference	Ind.	Model type	Begin	End

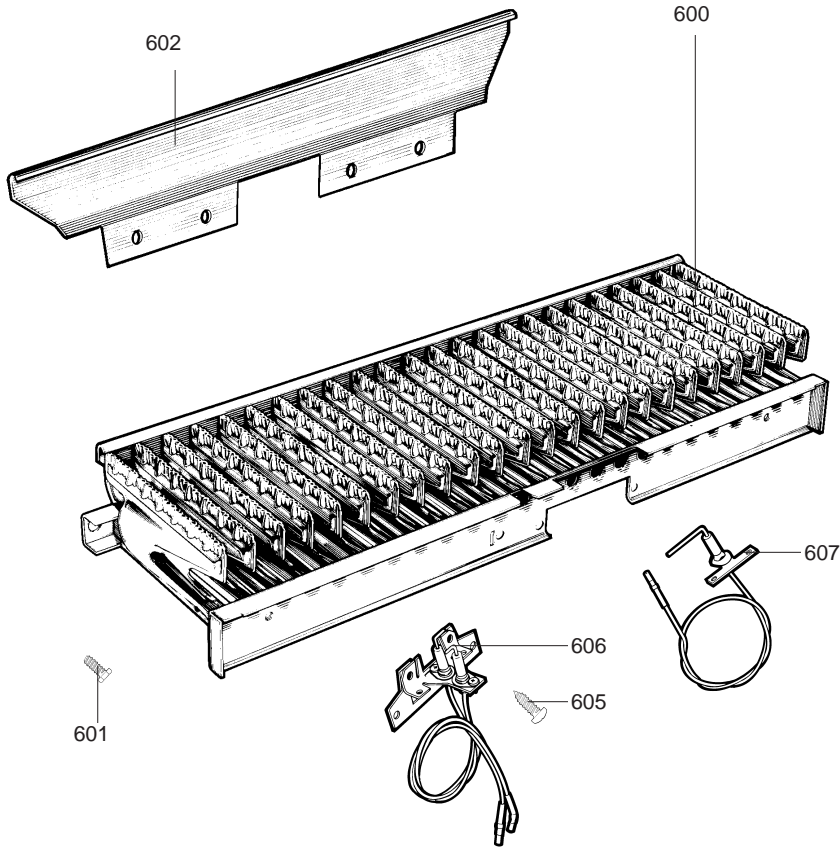




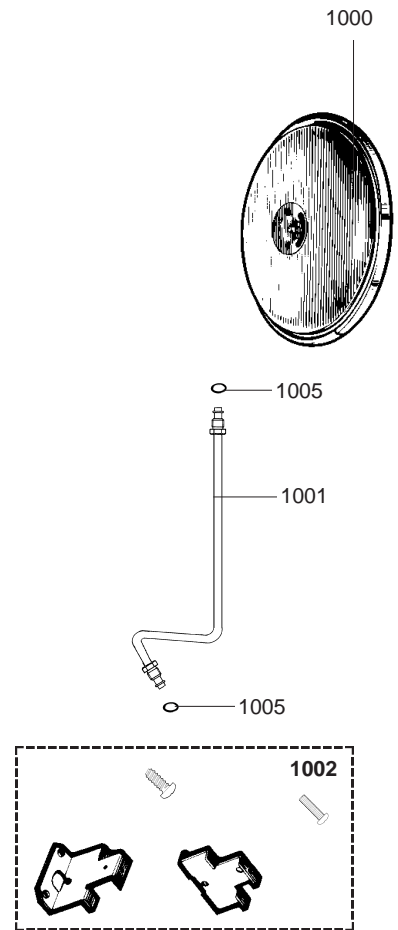


Key N°	Description	Manf. Pt. N°	Other	Type	35				Manf. date	
					CELTIC 2-35 HP	CELTIC 1-35 HP	TIG 35 HP	FLEXIFLAME	from	to
					CF	CF	CF	CF		
0500	GAS SECTION LPG ASSY	61008894		B/P						
	GAZ SECTION NAT ASSY	61008888		NAT		•	•	•		
	GAZ SECTION NAT ASSY	61008889		NAT	•					
0501	SOLENOID VALVES KIT	60081003			•					
	SOLENOID VALVES KIT	60081694				•	•	•		
0502	RESTRICTORS PACK	60081602		B/P				•		
	RESTRICTORS PACK	60081580		NAT	•					
	RESTRICTORS PACK	60081601		NAT		•	•	•		
0503	BURNER BASE KIT	60081008			•	•	•	•		
0504	ADJUSTING SCREW KIT	60081009			•	•	•	•		
0505	GAS SECTION GASKETS KIT	60081010			•	•	•	•		
0515	PRESSURE TEST POINT SCREW	60019445			•	•	•	•		
0519	GAS SECTION ASSY	60081693			•	•	•	•		
0524	OVERHEAT THERMOSTAT 110°C	60070773			•	•	•	•		
0527	TAPPING SCREW CBLZ D: 3.5-6.5	60031521-03			•	•	•	•		
0529	SCREW HX M 5-12	61010131			•	•	•	•		
0532	SCREW M 5-35	60075760-03			•	•	•	•		
0533	ELECTRICAL BOX SUPPORT	60074925			•	•	•	•		
0534	TAPPING SCREW CBLX D: 6.3-13	61010648			•	•	•	•		
0546	GAS SECTION COVER	60079232			•	•	•	•		
0547	GASKET (/Cover)	60060021			•	•	•	•		

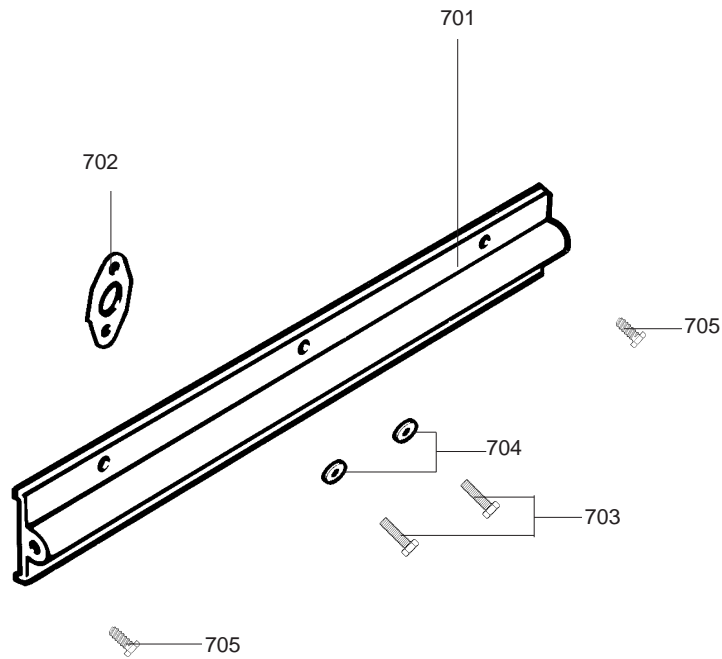
600



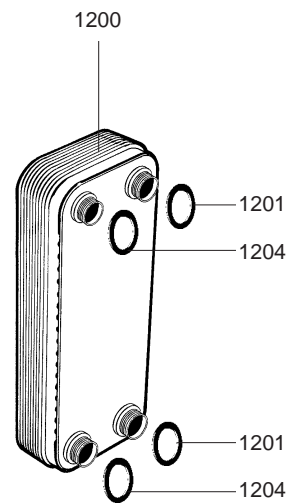
1000



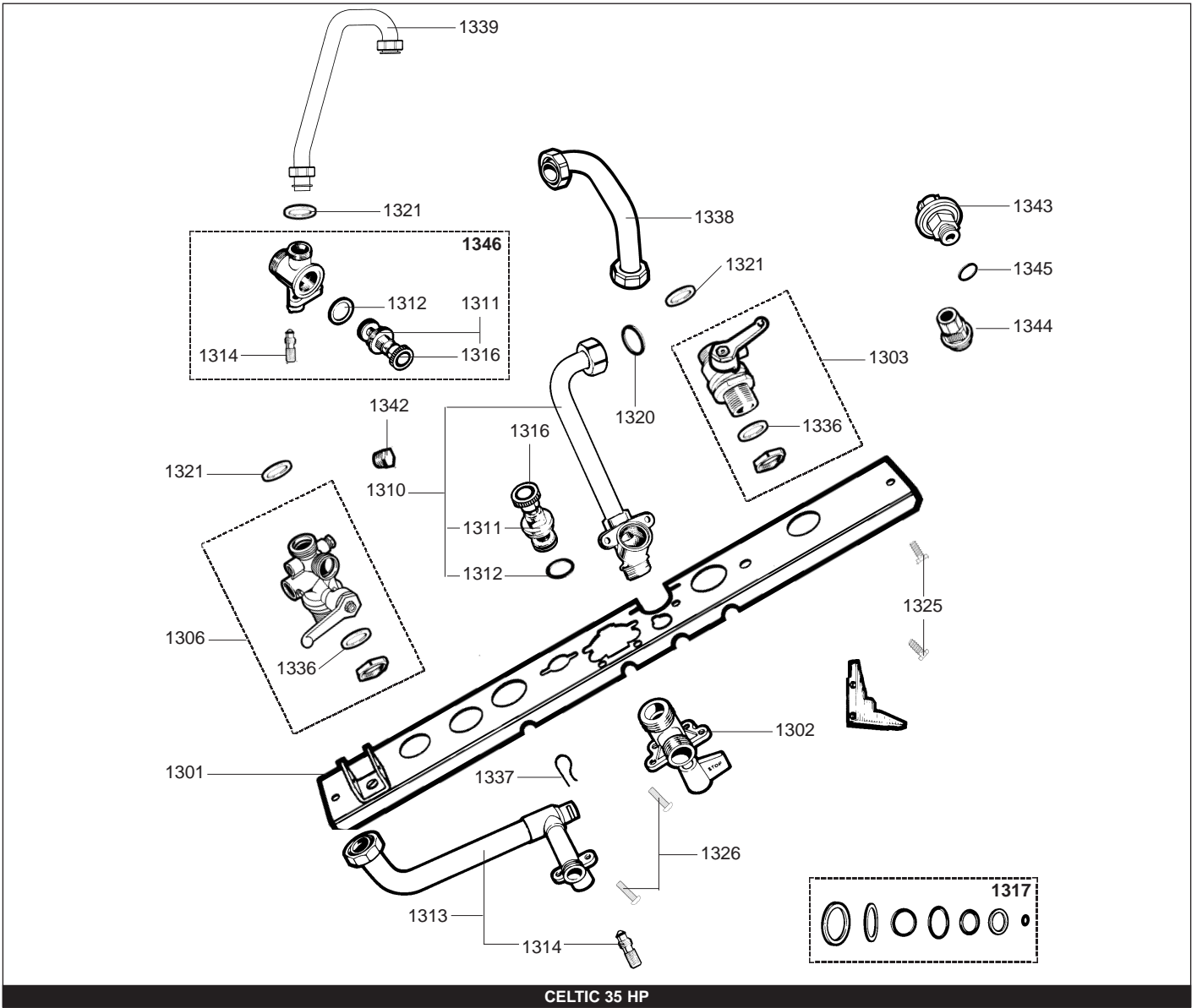
700



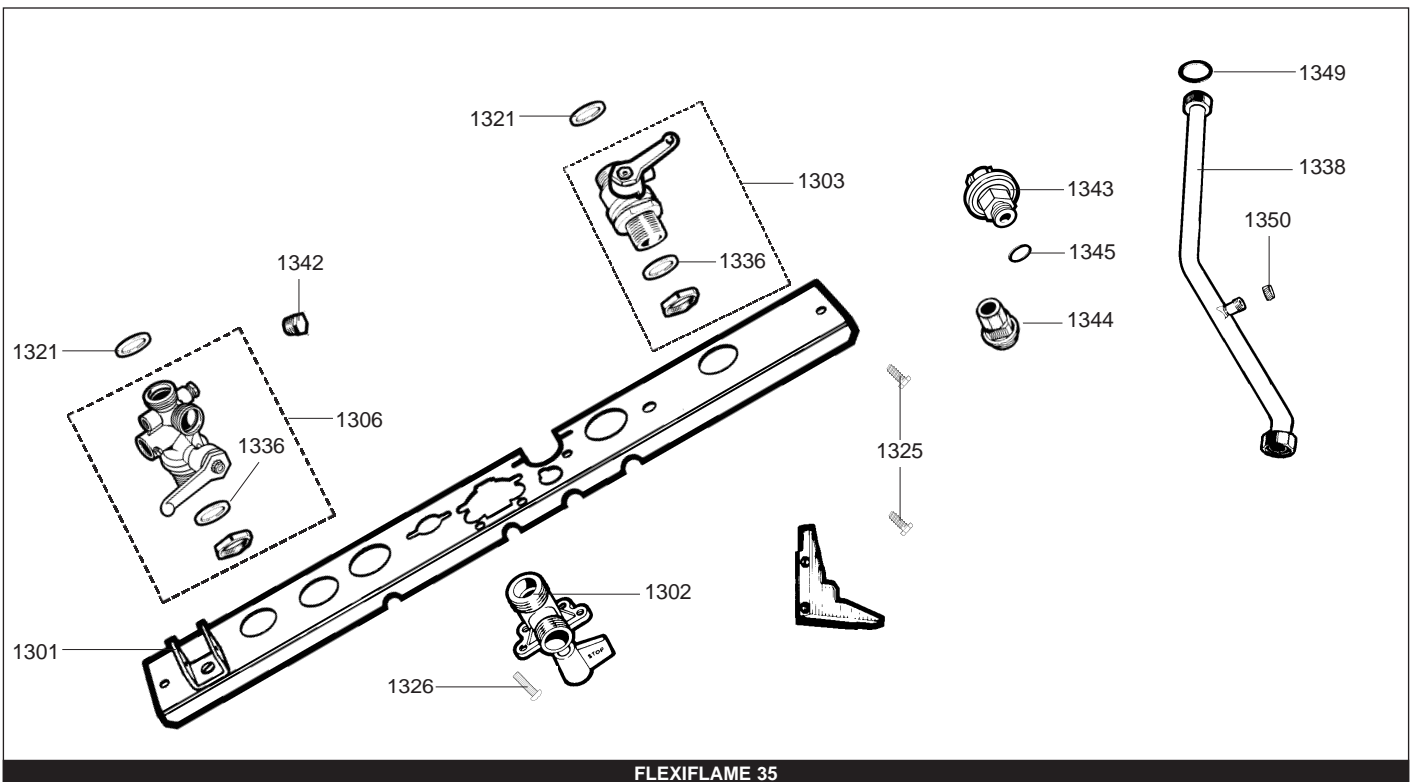
1200



Key N°	Description	Manf. Pt. N°	Other	Type	35				Manf. date	
					CELTIC 2-35 HP	CELTIC 1-35 HP	TIG 35 HP	FLEXIFLAME	from	to
					CF	CF	CF	CF		
<b>0600</b>	<b>BURNER HEAD</b>	61009792				•	•			12/95
	BURNER HEAD	61012220			•	•	•	•	01/96	
0601	TAPPING SCREW CBLX D: 6.3-13	61010648			•	•	•	•		
0602	CROSS LIGHTING STRIP	60039809				•	•	•		12/95
	CROSS LIGHTING STRIP	61012221			•	•	•	•	01/96	
0605	TAPPING SCREW CBLZ D: 3.5-6.5	60031521-03			•	•	•	•		
0606	IGNITION ELECTRODE	61002801			•	•	•	•	01/96	
	IGNITION ELECTRODE ASSY	61004019				•	•	•		12/95
0607	IONIZATION ELECTRODE ASSY	60078258				•	•			12/95
	IONIZATION ELECTRODE ASSY	61011356			•	•	•	•	01/96	
<b>0700</b>	<b>MANIFOLD</b>									
0701	MANIFOLD 24 INJ. LPG	61004809		B/P				•		
	MANIFOLD 24 INJ. NAT	61004808		NAT	•	•	•	•		
0702	GASKET (/Manifold)	60071226			•	•	•	•		
0703	SCREW HX M 5-12	61010131			•	•	•	•		
0704	WASHER D: 12-5.2-1	60061934-03			•	•	•	•		
0705	TAPPING SCREW CBLX D: 4.2-25	61010128			•	•	•	•		
<b>1000</b>	<b>EXPANSION VESSEL</b>	60056676-06			•	•	•			
1001	EXPANSION VESSEL TUBE	60053368			•	•	•			
1002	EXPANSION VESSEL SUPPORT KIT	60081014			•	•	•			
1005	"O" RING D: 6-1	60024164-41			•	•	•			
<b>1200</b>	<b>WATER / WATER HEAT EXCHANGER</b>	61008944			•					
1201	SHEET GASKET D: 24-16.2-1.5	60061855-02			•					
1204	"O" RING D: 16-1.9	60024183-37			•					



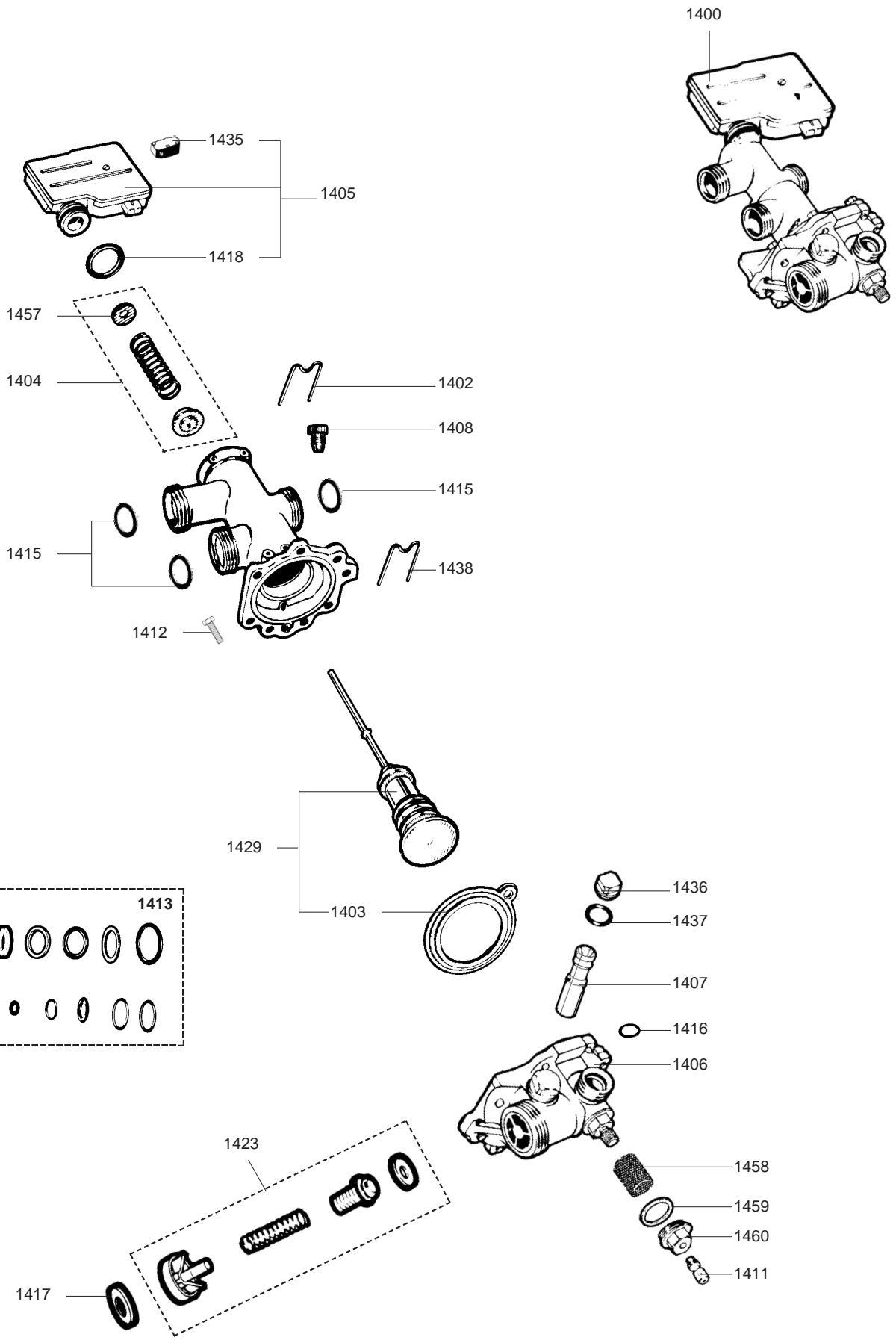
CELTIC 35 HP



FLEXIFLAME 35

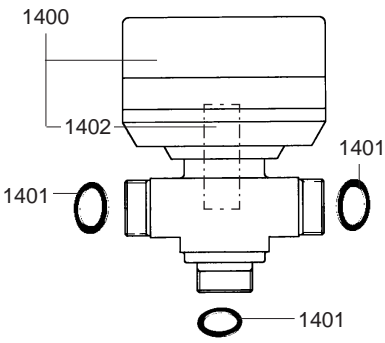


Key N°	Description	Manf. Pt. N°	Other	Type	35				Manf. date	
					CELTIC 2-35 HP	CELTIC 1-35 HP	TIG 35 HP	FLEXIFLAME	from	to
					CF	CF	CF	CF		
<b>1300</b>	<b>COCKS &amp; FITTING PLATE</b>									
1301	COCKS & FITTINGS PLATE	60047929								
1302	GAS SERVICE TAP	60044500			•	•	•			
1303	WATER FLOW SERVICE TAP	60081583				•	•			12/95
	WATER FLOW SERVICE TAP	60081583			•					
	WATER FLOW SERVICE TAP	60081771				•	•		01/96	
	WATER FLOW SERVICE TAP KIT	60081788						•		
1306	WATER RETURN SERVICE TAP KIT	60081561			•					
	WATER RETURN SERVICE TAP	60081579				•	•			
	WATER RETURN SERVICE TAP KIT	60081789						•		
1310	COLD WATER INLET TUBE	61004337			•					
1311	TAP HEAD ASSY	60067704			•		•			
1312	SHEET GASKET D: 29.6-25.5-1.5	60061856-04			•		•			
1313	HOT WATER TUBE	61009470			•					
1314	DRAIN SCREW ASSY	60081028			•		•			
1316	TAP KNOB	60066107			•		•			
1317	COMPLETE WASHERS KIT	60081584			•	•	•			
1320	"O" RING D: 11.1-1.78	60024183-38			•					
1321	"O" RING D: 16-1.9	60024183-37			•	•	•	•		
1325	TAPPING SCREW CBLX D: 6.3-13	61010648			•	•	•	•		
1326	SCREW M 6-10	60031527-03			•	•	•	•		
1336	SHEET GASKET D: 42-34-1.5	60061857-24			•	•	•	•		
1337	CLIP	60031546			•					
1338	HEATING FLOW TUBE	61003127					•			
	HEATING FLOW TUBE	61004344			•					
	TUBE - C.O.V. TO HEATING BODY	61004813						•		
1339	FLOW TUBE	61003128					•			
1342	PLUG M 10-100	60036342-08			•	•	•	•		
1343	PRESSURE SENSOR 0.8 B	61003495			•	•	•	•	01/96	
1344	CONNECTION	61003663			•	•	•	•	01/96	
1345	"O" RING D: 6-1	60024164-41			•	•	•	•	01/96	
1346	TAP	60031721					•			
1349	"O" RING D: 16.1-1.6	60024184-35						•		
1350	NUT M 14-0.75	60064552						•		

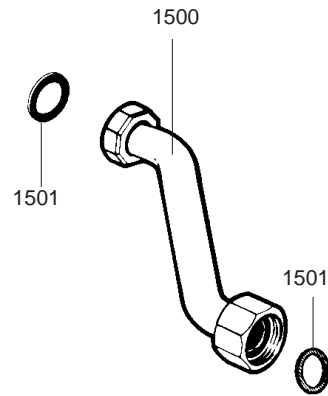




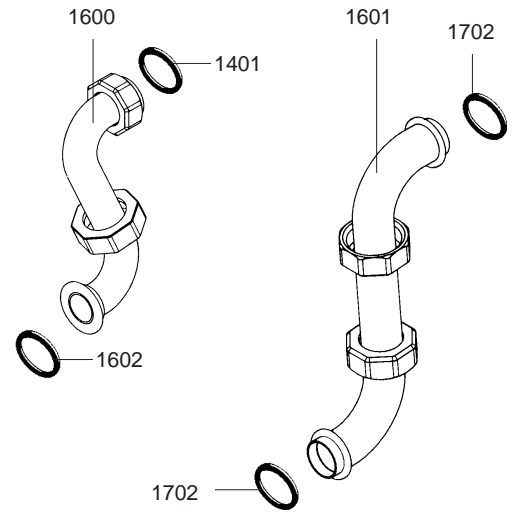
1400



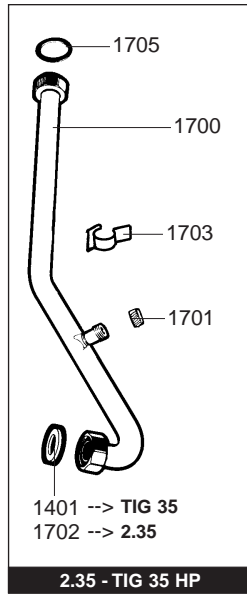
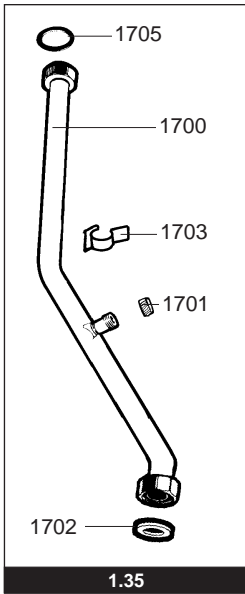
1500



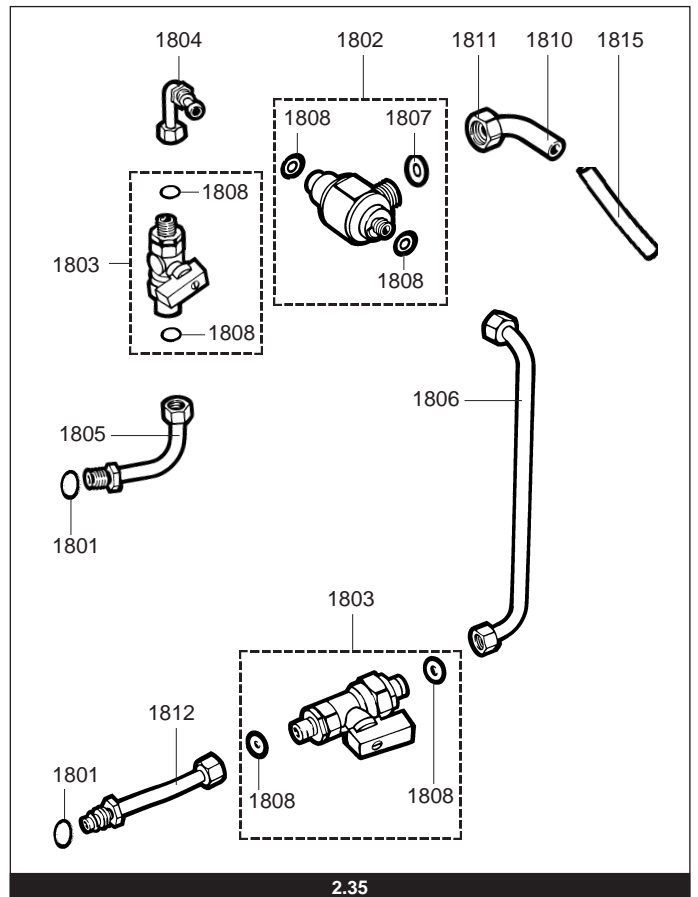
1600



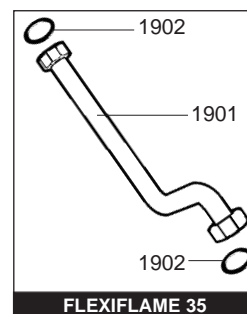
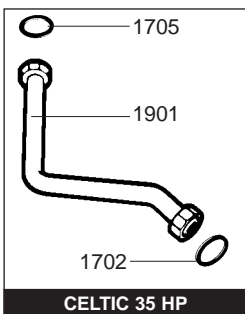
1700



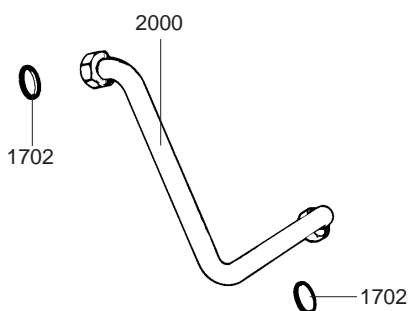
1800



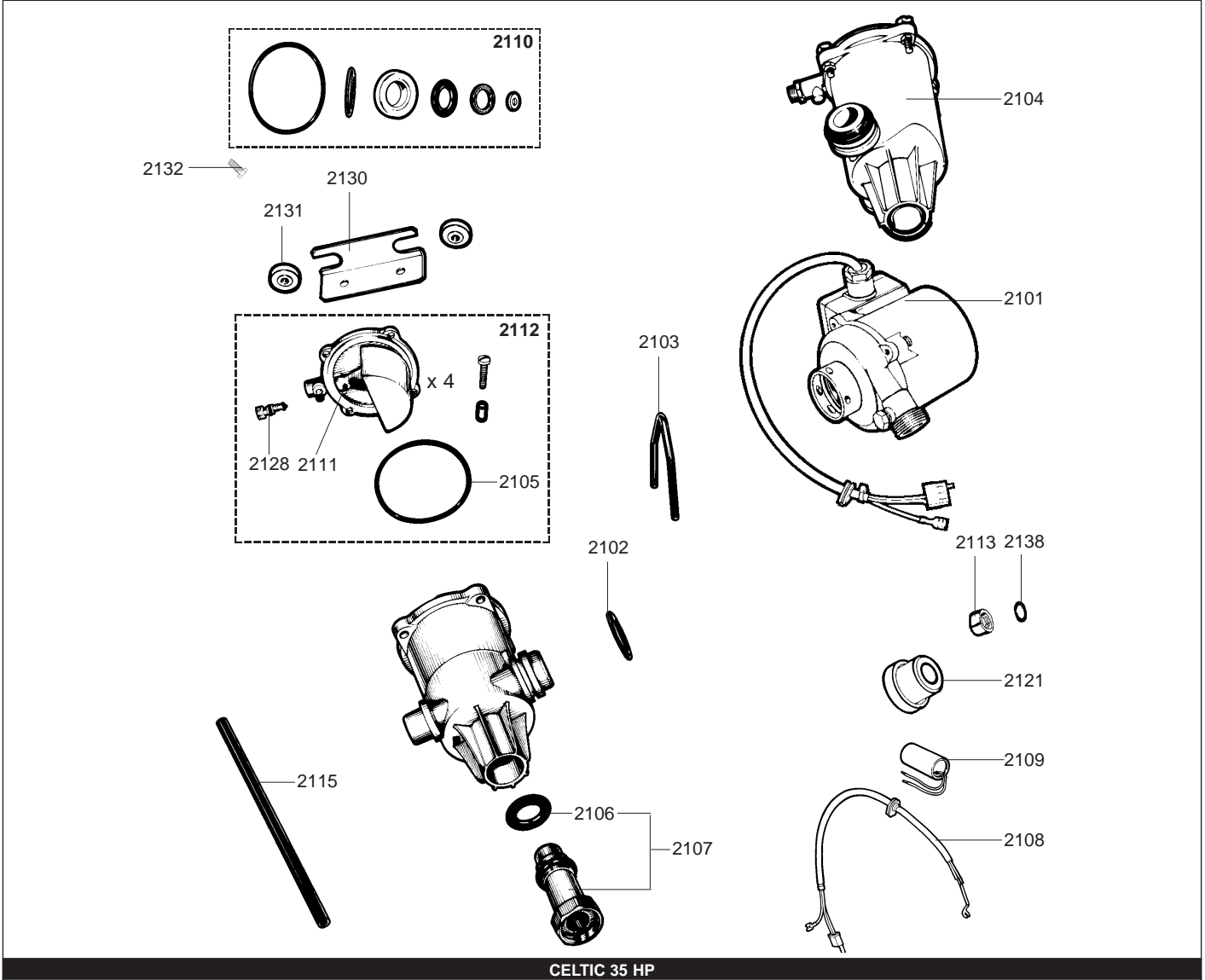
1900



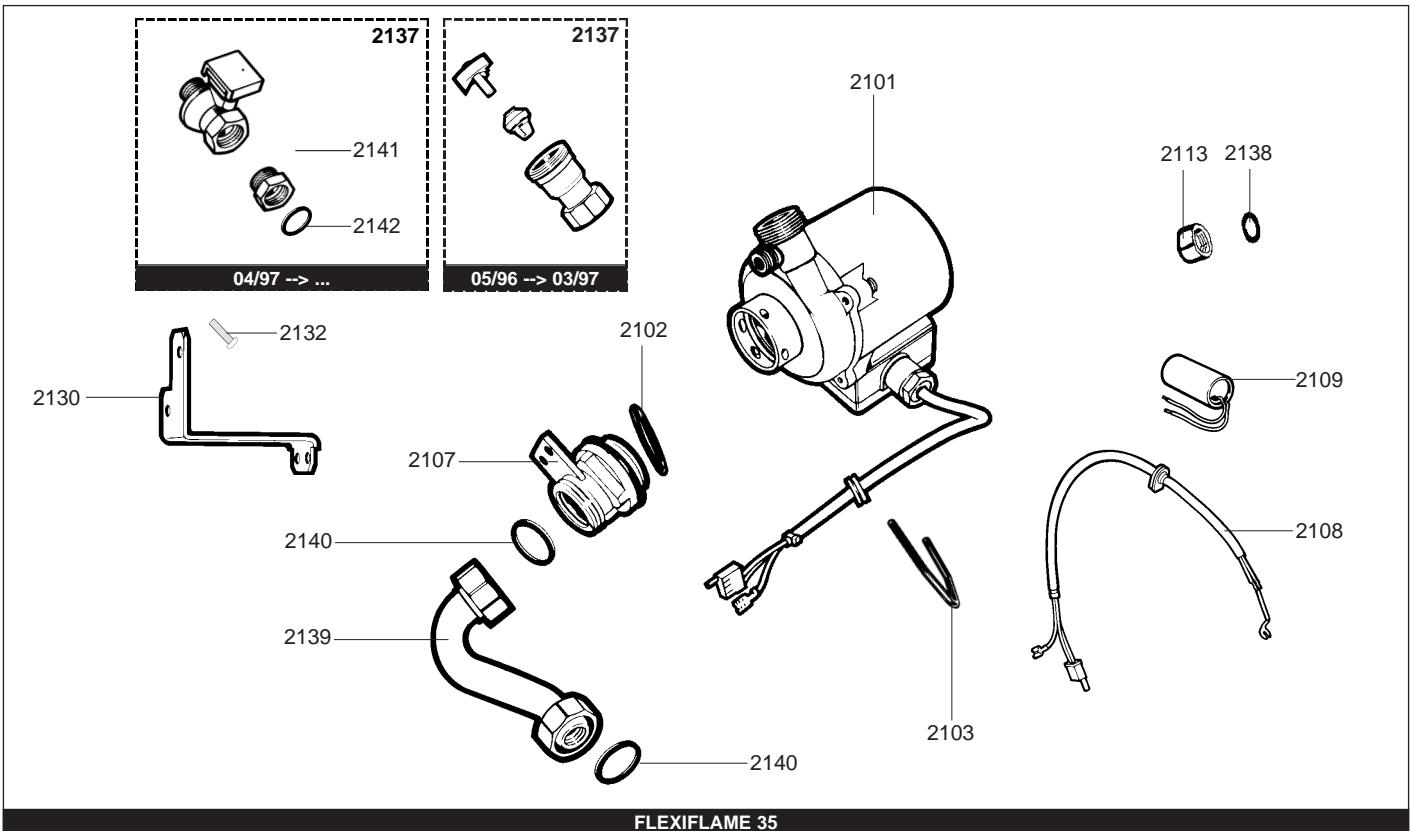
2000



Key N°	Description	Manf. Pt. N°	Other	Type	35				Manf. date	
					CELTIC 2-35 HP	CELTIC 1-35 HP	TIG 35 HP	FLEXIFLAME	from	to
					CF	CF	CF	CF		
1400	THREE-WAY VALVE	61008271					•			
1401	SHEET GASKET D: 24-16.2-1.5	60061855-02					•			
1402	THREE-WAY VALVE REPAIR KIT	60081903					•			
1500	GAS TUBE	60074041			•	•	•	•		
1501	SHEET GASKET D: 24-18.2-1.5	60022835-01			•	•	•	•		
1600	COLD WATER TUBE C.O.V. TO EXC.	61009399			•					
1601	HEATING TUBE	61009396			•					
1602	SHEET GASKET D: 29.6-22-1.5	60061856-14			•				01/90	
1700	TUBE - C.O.V. TO HEATING BODY	61004351			•					
	TUBE - C.O.V. TO HEATING BODY	61004813				•				
	TUBE-HEAT. BODY TO 3 WAY VALVE	61008264					•			
1701	NUT M 14-0.75	60064552			•	•	•	•		
1702	"O" RING D: 16-1.9	60024183-37			•	•	•	•		
1703	CLIP	60078502			•	•	•	•		
1705	"O" RING D: 16.1-1.6	60024184-35			•	•	•	•		
1800	BYPASS TUBE	61004812				•	•			
1801	"O" RING D: 6-1	60024164-41			•	•	•			
1802	DISCONNECTOR KIT	60081486			•					
1803	DISCONNECTOR SERVICE TAP KIT	60081487			•					
1804	DISCONNECTOR TUBE	61007264			•					
1805	TUBE - C.O.V. TO TAP	61007126			•					
1806	DISCONNECTOR TUBE	61007319			•					
1807	SHEET GASKET D: 14.8-10.3-1.5	60061854-11			•					
1808	SHEET GASKET D: 8.5-4.1-1.5	60061852-12			•					
1810	CONNECTING PIPE	60001574			•					
1811	NUT 3/8" THICK: 11	60020746-20			•					
1812	TUBE - C.O.V. TO TAP	61007320			•					
1815	TUBE PVC D: 9x12 L: 1M	60081266			•					
1900	TUBE - PUMP TO HEAT EXCHANGER									
1901	HEATING RETURN TUBE	61004352			•	•	•			
	HEATING RETURN TUBE	61012306					•		05/96	03/97
	HEATING RETURN TUBE	61014017					•		04/97	
1902	SHEET GASKET D: 29.6-22-1.5	60061856-14					•			
2000	SHORT CIRCUIT TUBE	61009397			•					

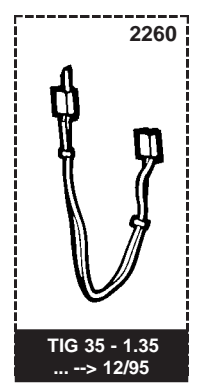
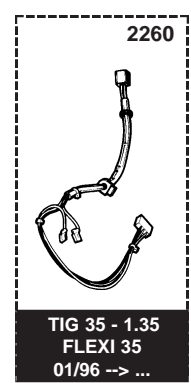
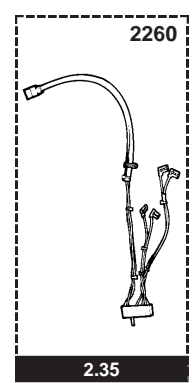
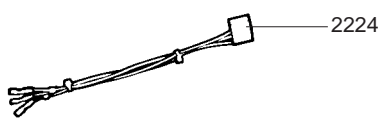
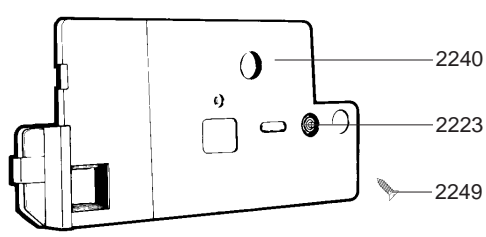
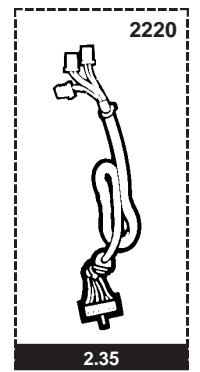
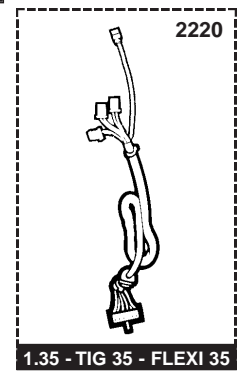
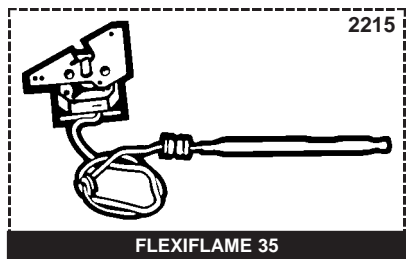
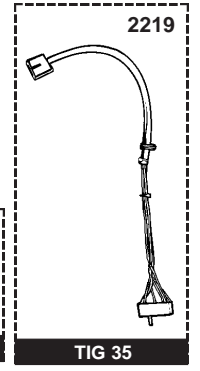
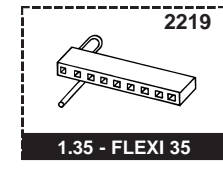
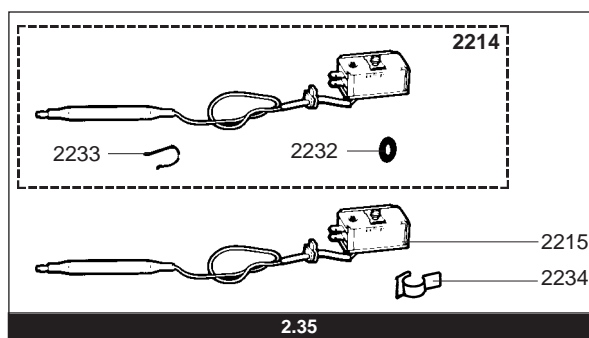
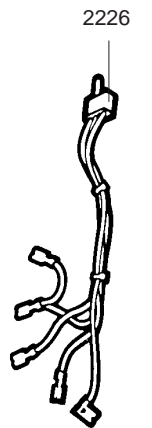
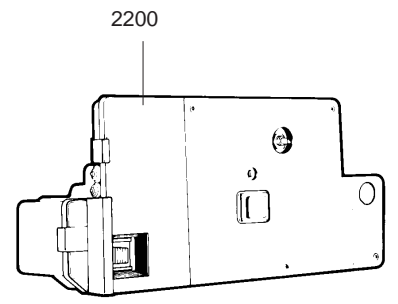
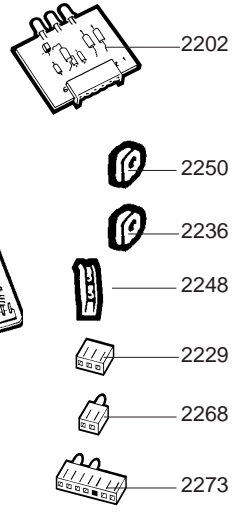
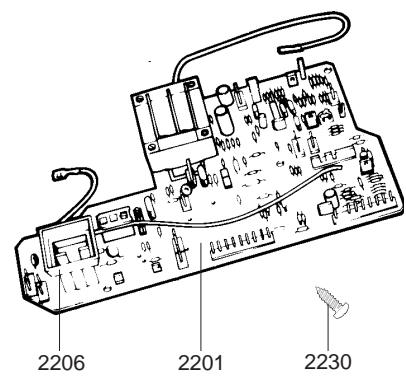
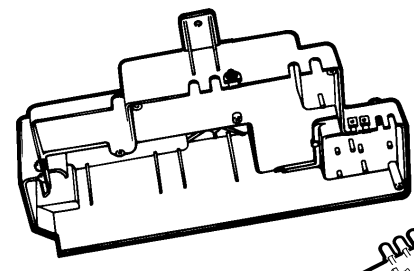
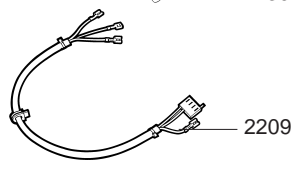
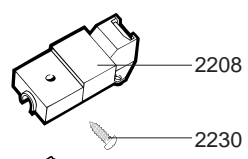
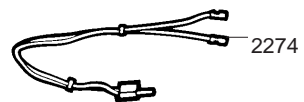
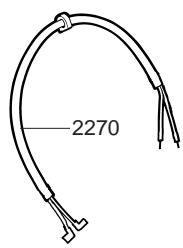
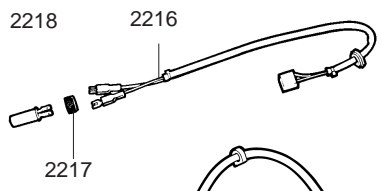
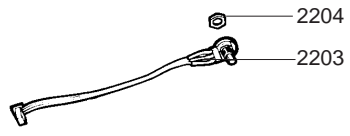
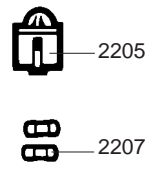
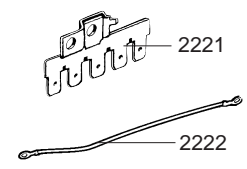
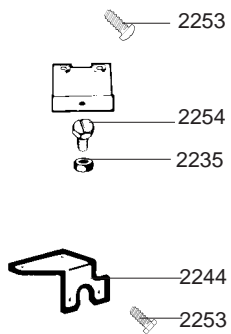


CELTIC 35 HP



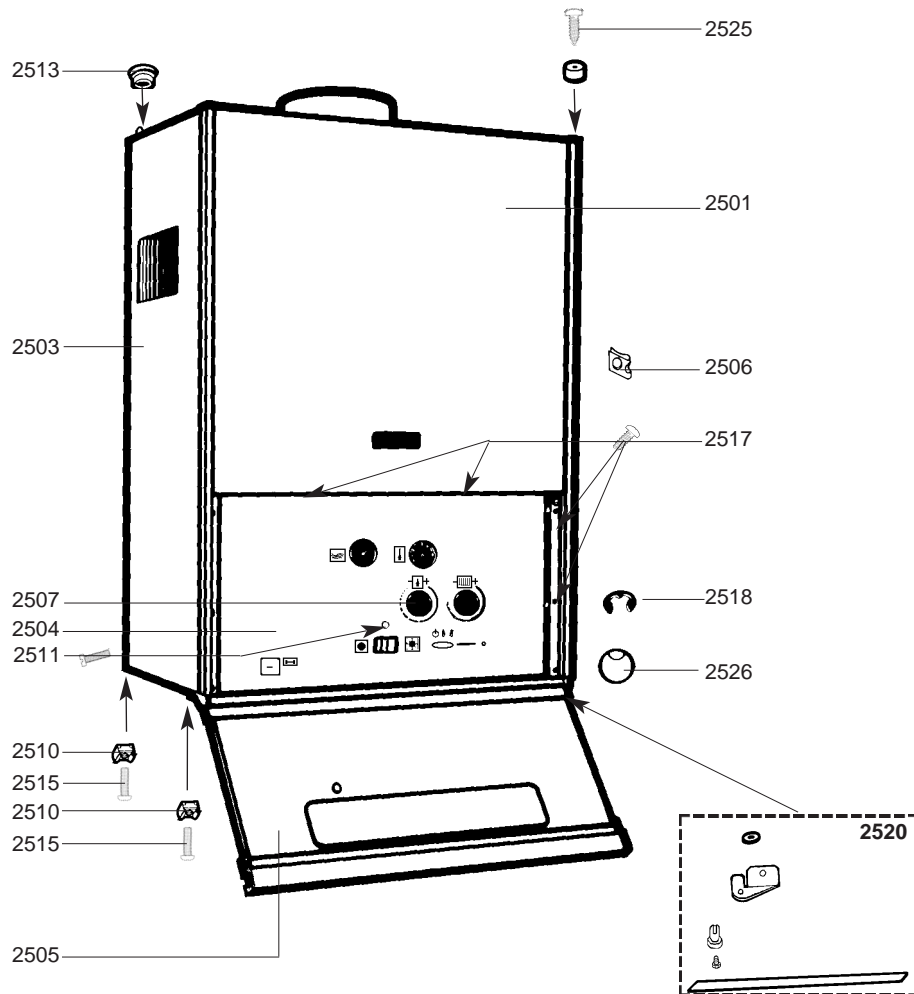
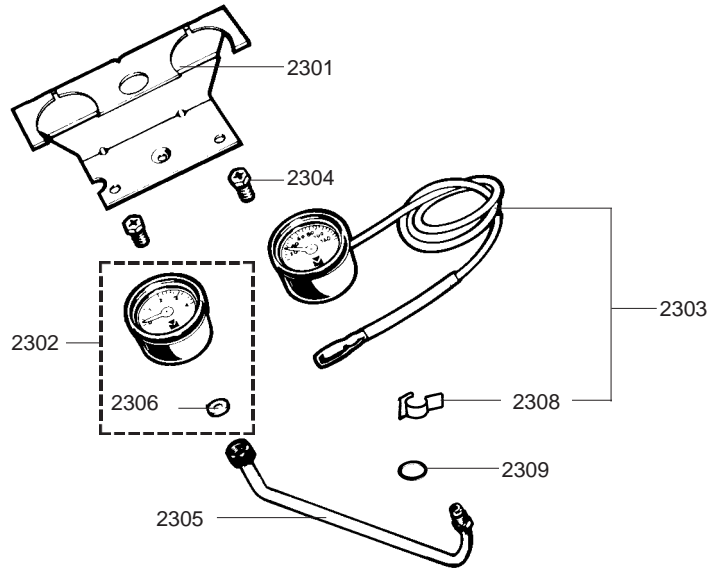
FLEXIFLAME 35

Key N°	Description	Manf. Pt. N°	Other	Type	35				Manf. date	
					CELTIC 2-35 HP	CELTIC 1-35 HP	TIG 35 HP	FLEXIFLAME	from	to
					CF	CF	CF	CF		
2100	PUMP									
2101	PUMP UP 15/50 230V	61010612								
	PUMP UP 15/60 220V	61010613			•	•	•			
2102	"O" RING D: 27.8-3.6	60024164-35			•	•	•	•		
2103	CLIP	60030898-03			•	•	•	•		
2104	AIR SEPARATOR	60037374			•	•	•	•		
2105	GASKET (/Air separator)	60053847			•	•	•	•		
2106	"O" RING D: 16-5	60024959-12			•	•	•	•		
2107	CONNECTION	60049355-08						•		
	AIR SEPARATOR CONNECTION KIT	60081563			•	•	•	•		
2108	PUMP LEAD (1 SPEED)	60045641			•	•	•	•		
	PUMP LEAD (2 SPEEDS)	61004115						•		
2109	CAPACITOR	61000652-10			•	•	•	•		
2110	GASKET KIT	60081024			•	•	•	•		
2111	AIR SEPARATOR VALVE	60035750			•	•	•	•		
2112	AIR SEPARATOR COVER KIT	60035748			•	•	•	•		
2113	PLUG M 10-100	60015709			•	•	•	•		
2115	TUBE PVC D: 9 L: 315	60030900			•	•	•	•		
2121	REAR STOP	61004903			•	•	•	•		
2128	DRAIN SCREW ASSY	60081421			•	•	•	•		
2130	PUMP SUPPORT	60058324						•		
2131	GROMMET	60015016			•	•	•	•		
2132	TAPPING SCREW CBL SX D: 6.3-13	61010648			•	•	•	•		
2137	NON-RETURN VALVE	60054448						•	05/96	03/97
	STOPPED WATER THROTTLE KIT	60081798						•	04/97	
2138	WASHER D: 8.8-3.25	60054118			•	•	•	•		
2139	HEATING RETURN TUBE	61012307						•		
2140	"O" RING D: 16-1.9	60024183-37						•		
2141	SHEET GASKET D: 29.6-22-1.5	60061856-14						•	04/97	
2142	SHEET GASKET D: 24-16.2-1.5	60061855-02						•		

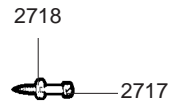
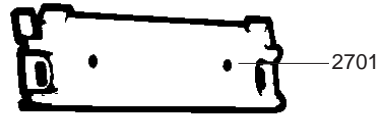
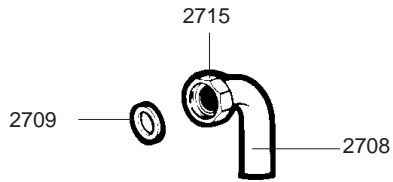
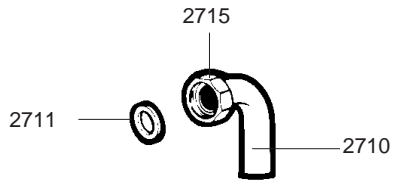
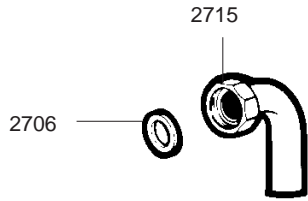
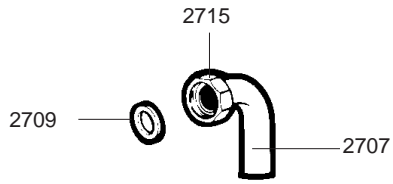




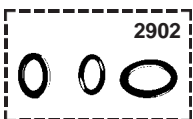
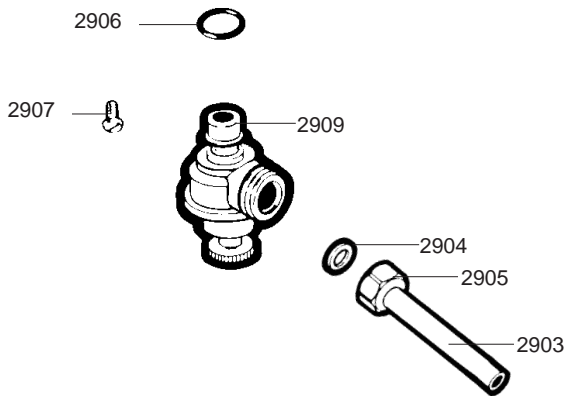
Key N°	Description	Manf. Pt. N°	Other	Type	35				Manf. date	
					CELTIC 2-35 HP	CELTIC 1-35 HP	TIG 35 HP	FLEXIFLAME	from	to
					CF	CF	CF	CF		
2200	ELECTRICAL BOX	61009502					•			12/95
	ELECTRICAL BOX	61009508					•			12/95
	ELECTRICAL BOX	61011295					•		01/96	
	ELECTRICAL BOX	61011296				•			01/96	
	ELECTRICAL BOX	61011297					•		01/96	
	ELECTRICAL BOX	61011755						•		
2201	PRINTED CIRCUIT BOARD	61004599				•				
	PRINTED CIRCUIT BOARD	61009660					•	•		
2202	PRINTED CIRCUIT BOARD	61004219				•	•	•		
2203	POTENTIOMETER	60078577				•	•	•		
2204	NUT H 10-0.75	60078576				•	•	•		
2205	FUSE HOLDER	60044799-10				•	•	•		
	BLACK FUSE HOLDER	61009091						•		
2206	PROTECTIVE CAP	60044800-10				•	•	•		
2207	FUSE 250V 2A	60054442				•	•	•		
2208	IGNITER	61002105-10				•	•	•		
2209	IGNITOR LEAD	61004363				•	•	•		
2214	AQUASTAT 57°C KIT	60100606-30				•				
2215	HEATING LIMIT THERMOSTAT 85°C	60056974				•				
	BOILER THERMOSTAT ASSY	60081796						•		
2216	CABLE - THERMISTOR TEMP. SENS.	60078970				•	•	•		
2217	NUT M 14-0.75	60064552				•	•	•		
2218	THERMISTOR TEMPERATURE SENSOR	60064153				•	•	•		
2219	SHUNT	61003144					•	•		
	CABLE THREE WAY VALVE	61009794						•		
2220	SOLENOID VALVES CABLE	60078964				•				
	SOLENOID VALVES CABLE	61009793					•	•		
2221	CONNECTION STRIP	61010152				•	•	•		
2222	EARTH WIRE	61008379				•	•	•		
2223	CIRCUIT BREAKER	60070852				•	•	•		
2224	CIRCUIT BREAKER CABLE	60078971				•	•	•		
2225	BLACK SWITCH	60078572-10				•		•		
	SWITCH	61004828					•	•		
2226	SWITCH CABLE	60078573				•		•		
	SWITCH CABLE	61004831					•	•		
2229	CONNECTOR	60074977				•	•	•		
2230	SCREW CBLZ D: 3.5-10	61004804-10				•	•	•		
2232	"O" RING D: 7.2-1.9	60024164-12				•				
2233	CLIP	60031546				•				
	CLIP	60074039						•		
2234	CLIP	60078502				•				
2235	NUT H M 6-1	60026501-03				•	•	•		
2236	GROMMET	60027837				•	•	•		
2240	ELECTRICAL BOX COVER	60078052				•	•	•		
	ELECTRICAL BOX COVER	61011752						•		
2244	ELECTRICAL BOX SUPPORT	60079087				•	•	•		
2249	SCREW F90Z D: 3.5-16	61004804-20				•	•	•		
2250	GROMMET	60027838				•	•	•		
2253	TAPPING SCREW CBL SX D: 6.3-13	61010648				•	•	•		
2254	SCREW HS M 6-25	60010942-13				•	•	•		
2260	CABLE TTB	61009774					•	•		12/95
	CABLE TTB	61011465					•	•	01/96	
2268	CONNECTOR	60032444				•				
2270	HEATING THERMOSTAT CABLE	61011753						•		
2273	CONNECTOR	61004638				•	•	•		
2274	CABLE : WATER FLOW SWITCH	61014146						•	04/97	



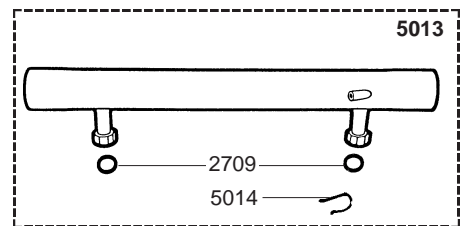
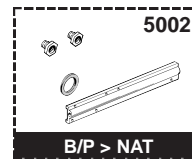
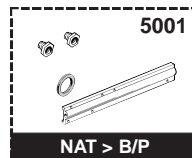
Key N°	Description	Manf. Pt. N°	Other	Type	35				Manf. date	
					CELTIC 2-35 HP	CELTIC 1-35 HP	TIG 35 HP	FLEXIFLAME	from	to
					CF	CF	CF	CF		
<b>2300</b>	<b>PRESSURE TEMP GAUGE</b>									
2301	SUPPORT BRACKET	60078362			•	•	•	•		
2302	PRESSURE GAUGE ASSY	60081021			•	•	•	•		
2303	THERMOMETER ASSY	60081022			•	•	•	•		
2304	TAPPING SCREW CBLX D: 6.3-13	61010648			•	•	•	•		
2305	PRESSURE GAUGE TUBE	61004449			•	•	•	•		
	PRESSURE GAUGE TUBE	61011818						•		
2306	SHEET GASKET D: 8.5-4.1-1.5	60061852-12			•	•	•	•		
2308	CLIP	60078502			•	•	•	•		
2309	"O" RING D: 6-1	60024164-41			•	•	•	•		
<b>2500</b>	<b>FRONT CASE</b>									
2501	FRONT PANEL	60054453-06			•	•	•	•		
2503	LEFT SIDE PANEL	60044201			•	•	•	•		
2504	CONTROL PANEL	61003172					•			
	CONTROL PANEL	61003258			•					
	CONTROL PANEL	61009940				•				
	CONTROL PANEL	61012304						•		
2505	DOOR ASSY	61008272			•	•	•	•		
2506	SPIRE CLIP	60063603			•	•	•	•		
2507	BLACK POTENTIOMETER KNOB	60078181			•	•	•	•		
2510	TRAPPED NUT M 6	60004806-03			•	•	•	•		
2511	SCREW CLS M 6-14	60014044			•	•	•	•		
2513	OBTURATION PLUG	60044834			•	•	•	•		
2515	SCREW M 6-10	60031527-03			•	•	•	•		
2517	TAPPING SCREW CBLX D: 4.2-9.5	61010125			•	•	•	•		
2518	CLIP	60078784			•	•	•	•		
2520	HINGE REPAIR KIT	60081411			•	•	•	•		
2525	TAPPING SCREW CBLZ D: 3.9-9.5	60050460-03						•		
2526	BLACK AQUASTAT KNOB	61004996						•		



2900



5000 OPTIONS



Key N°	Description	Manf. Pt. N°	Other	Type	35				Manf. date	
					CELTIC 2-35 HP	CELTIC 1-35 HP	TIG 35 HP	FLEXIFLAME	from	to
					CF	CF	CF	CF		
<b>2700</b>	<b>JIG PLATE &amp; PIPE FITTING</b>									
2701	WALL MOUNTING BRACKET	60025182			•	•	•	•		
2706	SHEET GASKET D: 24-16.2-1.5	60061855-02					•			
2707	CONNECTING PIPE	60055675			•					
2708	CONNECTING PIPE HOT WATER	60055674			•					
2709	SHEET GASKET D: 24-18.2-1.5	60061855-01			•					
2710	GAS CONNECTING PIPE	60055676			•	•	•	•		
2711	SHEET GASKET D: 24-18.2-1.5	60022835-01			•	•	•	•		
2715	NUT 3/4"	60020748-68			•	•	•	•		
2717	WOOD SCREW	60025617-03			•	•	•	•		
2718	WASHER D: 14.2-7.2-1.2	60005369-03			•	•	•	•		
<b>2900</b>	<b>PRESSURE RELIEF VALVE</b>									
2902	VALVE WASHER KIT	60081025			•	•	•			
2903	VALVE CONNECTING PIPE	60029361			•	•	•			
2904	WASHER D: 18.4-12.2-1.5	60061855-14			•	•	•			
2905	NUT 1/2" THICK: 10	60020747-68			•	•	•			
2906	"O" RING D: 13.6-2.7	60024164-18			•	•	•			
2907	GRUB SCREW	60017908			•	•	•			
2909	PRESSURE RELIEF VALVE	61020933					•		12/95	
	PRESSURE RELIEF VALVE	61020933			•	•	•			
<b>5000</b>	<b>ACCESSORIES</b>									
5001	CONVERSION KIT NAT > LPG	61004960					•	•		12/95
	CONVERSION KIT NAT > LPG	61011383			•	•	•	•	01/96	
5002	CONVERSION KIT LPG > NAT	61012308			•	•	•	•	01/96	
5013	MONOTUBE	60065387						•		
5014	CLIP	60074039						•		



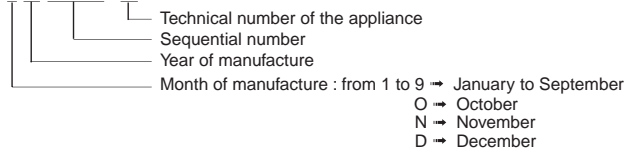
## LIST OF THE ABBREVIATIONS

HW .....	: Hot water.
CW .....	: Cold water.
C .....	: Ceramic resistance (normal heating).
Ca .....	: Ceramic resistance (accelerated heating)
TP .....	: Immersion heater.
1F .....	: With fittings.
2F .....	: Without fittings.
3F .....	: With fittings and another outlet connection.
AMI .....	: With mixing valve.
SMI .....	: Without mixing valve.
PUISS .....	: Power of th appliance.
PN .....	: Appliance with normal pression.
LP .....	: Appliance with low pression.
PV .....	: Appliance with variable power.
PF .....	: Appliance with fixed power..

## IDENTIFICATION PLATE

### SERIAL NUMBER

Ex: 1 95 065004 - 31



The indications mentioned on the prices, commercial or technical literature and the scheme are written for your guidance and are available at a given time. The CONSTRUCTOR retains the power to modify the presentation, the form, the size, the conception or the material of the products.