

— K&B HEREFORDS —

Heart of the Herd Dispersion Sale

Selling over 375 head:
140 Pairs (including 90 bull calves)
74 Yearling Heifers
4 Donor Cows
17 ET Bull Calves
5 Herd Bulls

Monday, Oct. 4, 2010
12:00 noon CDT at the Ranch

Sale Day Phones
605-973-2351 or 605-973-2334

Auctioneer • Joe Goggins 406-245-6447

Sale ManagementThe Hereford Connection
Trucking Woolsey Livestock Transportation
406-652-0517
Bob 406-670-1877 • Bill 406-671-0228
For other arrangements contact Art Handel

Sale Representatives

Art Handel, Jr. The Hereford Connection, Sale Mgr.
605-399-9278 or 605-391-8233 (cell phone)
Marc Hotchkiss The Hereford Connection, Sale Mgr.
Hereford America 605-866-4495 or 605-490-1513 (cell phone)
Jill Hotchkiss Hereford America
605-866-4495 or 605-490-1409 (cell phone)
Levi Landers American Hereford Association
308-730-1396 (cell phone)
Jack Chastain Texas Hereford Association
817-831-3161 or 817-821-3544
Chris Effling Dakota Farmer • Farm Progress
605-769-0142 (cell phone)
Jim Gies, Western Livestock Journal 970-454-3863
Tom Granzow, Kansas Hereford Association 785-466-6790
Donnie Leddy, Cattle Business Weekly 605-695-0113
Mark McClintock 325-763-9202
Tami McIntosh, DV Auction 308-870-3661

Special Guests

Jack Ward AHA Chief Operating Officer
and Director of Breed Improvement
Bob Harrell President, American Hereford Association
Mike Fink President SDHA
Mark & Linda Goetz SD Hereford Association Managers
David Stagg, DVM Veterinarian
Megan Wettlaufer SD Junior Hereford Queen

VIDEO AUCTION: The sale will be conducted with a live auction, however, sale cattle will not be run through the ring. They will be shown on three large video screens in the K&B sale ring. All cattle will be on display in pens.

ACCOMMODATIONS:

Gettysburg: Gettysburg Inn (605) 765-2373 (formerly Super 8); Sage Motel (605) 765-2471
Miller: Super 8 (605) 853-2721
Pierre: Ramkota Inn 1-800-528-1234; Kelly Inn 1-800-635-3559; Governor's Inn (605) 224-4200 or 1-888-315-2378, plus many more.

TRANSPORTATION: Pierre, SD has commercial air service. The Gettysburg, SD, airport, 20 miles from the ranch, has a paved runway and will handle private jets.

TERMS & CONDITIONS: Terms of the sale are cash, check or other terms agreed to in writing between seller, buyer and sale manager, payable immediately upon conclusion of the sale before animals will be moved. Sale Manager reserves the right to require a certified check as settlement before releasing any cattle

PURCHASER'S RISK: All animals are the seller's risk prior to their sale and become property of the purchaser as soon as declared sold by the auctioneer.

BIDDING: Any disputes or challenges regarding bids or tie bids will be settled by the auctioneer and his decision will be final.

CERTIFICATE OF REGISTRY: A certificate of registry for each animal will be transferred to the buyer at the seller's expense.

ANNOUNCEMENTS: Any errors or changes in information contained in the catalog will be announced from the block and such announcements shall take precedence over the information contained herein.

HEALTH: All sale cattle are guaranteed IE-free and diluter-free by K&B Herefords. The K&B calves have all had the following vaccinations. Spring: Plioguard Pinkeye+7 and Viroshield 6+Somnus; Fall: Vision 7 Somnus, Express 5 PHM and Promectin B pour-on. All animals are eligible for interstate shipment. Interstate health papers prepared by an accredited veterinarian will be furnished on each animal sold. Arrangements for International Shipment should be made with the sale manager prior to the auction. All efforts for the exportation of cattle can be arranged through the sale manager.

LIABILITIES: All persons who attend the sale do so at their own risk. The seller, auction facility and sale manager assume no liability for any accidents that may occur. Neither does the seller, auction facility or sale manager assume liability for the loss or injury to livestock due to theft, mysterious disappearance, sickness, improper handling or Act of God. It is to be clearly understood that the sale manager and its representatives act only as a medium between the buyer and the seller. They are not responsible in any way for the failure on the part of the buyer and seller to live up to their obligations or for the truth of any warranties or representation, express or implied. Neither does the sale manager assume any financial obligations to collect or to enforce collection of monies between parties. Any legal action, that may in exceptional cases be taken, must be between the buyer and the seller. This catalog has been prepared by the sale manager and Hereford America from pedigrees and information supplied by sources deemed reliable, however, the sale manager & Hereford America will in no way guarantee the pedigrees of the animals selling or data included in this catalog. Any exceptions taken are between the buyer and the seller.

CONTRACT: The above terms and conditions of sale shall constitute a contract between the buyer and seller of each animal and shall be equally binding upon both. Each sale or resale of an animal constitutes a separate transaction.

CONFERENCE CALL BIDDING: We are offering conference call bidding on sale day. This is coordinated through Art Handel. Please call prior to the sale to register for a buyer number. The conference call number is 605-852-6100, password code when prompted: 80708.

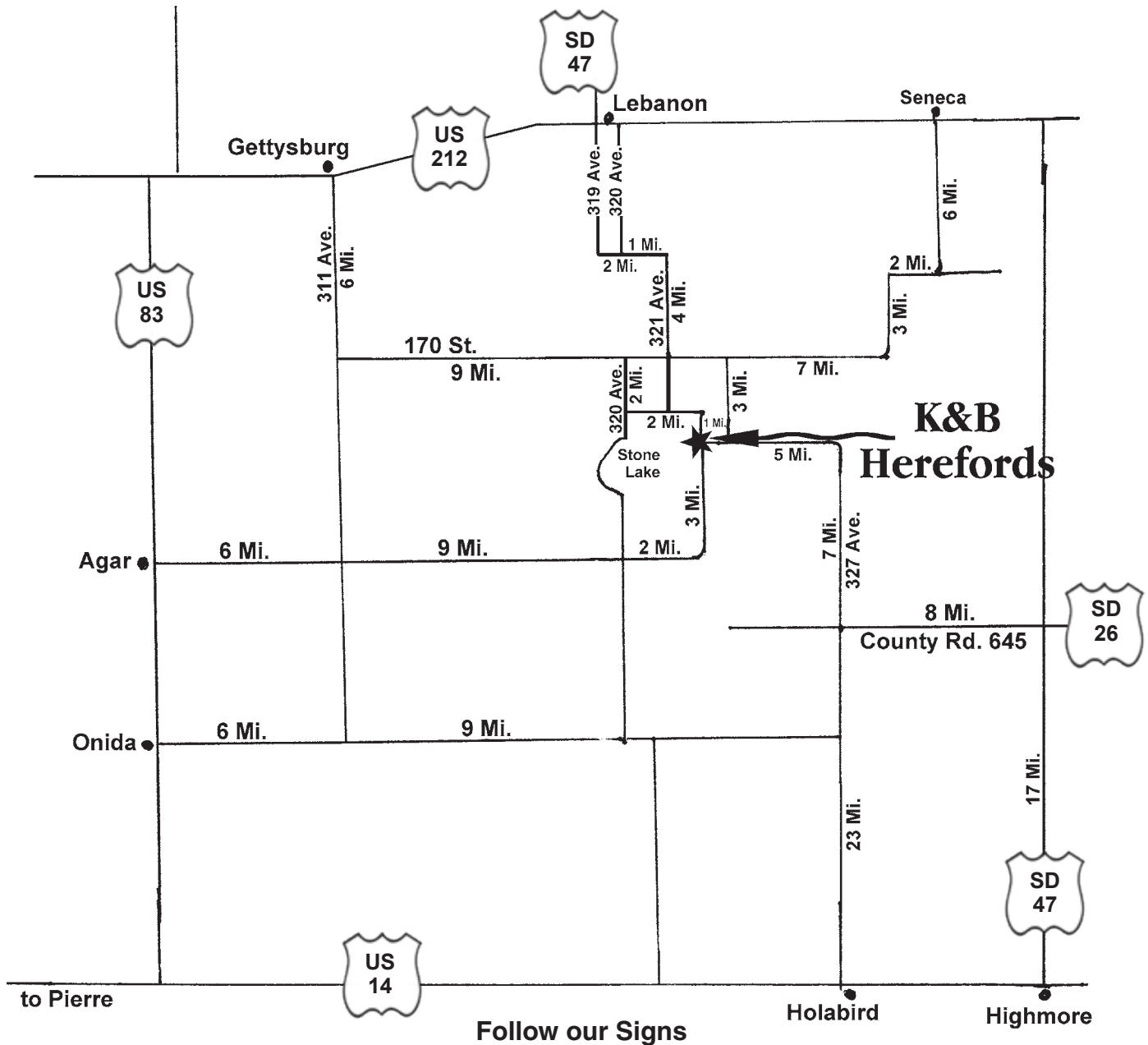
DV AUCTION: Bidding may also be conducted online at DV Auction.com. Please call Tami McIntosh at 308-870-3661.

We Thank You for Attending Our Sale

Directions to K&B Headquarters

17309 322 Ave.

Watch for our Signs



Follow our Signs

From Gettysburg: 6 miles south on 311 Ave., 9 miles east on 170th St., 2 miles south on 320 Ave., 2 miles east and 1 mile south.

From Lebanon: 212-47 Junction, 5 miles south on 319 Ave., 2 miles east, 6 miles south on 321 Ave., 1 mile east and 1 mile south.

From Seneca: 6 miles south, 2 miles west, 3 miles south, 7 miles west, 3 miles south and 1 mile west. Watch for signs.

From Agar: 17 miles east to dead end curve and 3 miles north.

From Holabird: 23 miles north to dead end curve and 5 miles west.

From Highmore: 17 miles north on Highway 47 to Junction 26, then 8 miles west on County Rd. 645 to 327th Ave., 7 miles north to dead end curve and 5 miles west.

THE HEREFORD CONNECTION



Art Handel

Marc Hotchkiss

Working for the Breed

The K&B young cow herd dispersal provides fellow Hereford breeders with an opportunity to participate in a breeding establishment that has been providing seedstock to the registered and commercial industry for 65 years. J.C. Bieber registered the first Herefords in 1945 and the family has recorded Herefords ever since. Ken and Bonnie Bieber married and started at the present location in 1959. They raised three children and grew the ranch. Daughter, Brenda (and family now in the Denver area), sons Brooke and family and Kirk are now the ranch work force and managers. Ken and Bonnie have put heart and soul into their tenure running K&B and now it becomes the responsibility of the next generation of K&B, namely Kirk and Brooke. It is only through dispersal sales such as this that you as potential buyers have the opportunity to add the solid, proven genetics of such a cow herd as this. Whether you are starting a new herd or wishing to get some of the best to add to your existing herd, this is where you want to be on October 4, 2010.

The entire cow herd, ages 7 and younger, is being offered along with the 2010 calf crop at side. The bull and heifer calves selling represent the K&B breeding program extremely well. Quality runs throughout the entire offering.

K&B is offering a bull development program for those bull customers who don't care to take the young bulls home after the sale.

The cow herd has been tested and is guaranteed to be IE and Diluter free.

The ET donor cows from the sale age groups are selling, as well as ET bull calves and embryos.

K&B is a name very familiar to the Denver show scene as this firm has participated and produced numerous Denver Champions over many years. On the "Hill" and in the "Yards," the purple banners have often hung with the K&B sign.

Brooke and Kirk were honored in 2000 as National Western Stock Show Hereford Herdsmen of the Year by their peers. K&B Herefords, Ken and Bonnie Bieber were honored in 2009, being inducted into the American Hereford Association HALL OF FAME as breeders who have dynamically influenced the direction and advancement of the Hereford Breed. They have had the passion and desire to dedicate their lives to the Hereford cause. We all owe them a big THANK YOU!!!

October 4, 2010 — A MONUMENTAL HEREFORD DAY
Be at K&B Herefords Ranch!

Dear Customers,

We would like to invite you to attend our "Heart of the Herd" dispersion. We will be selling all cows under 8 years and their calves, plus 73 bred yearling heifers, our herd bull battery, 17 ET bull calves and a few embryo packages. Our decision to have this sale was based on manageability more than anything. We have been relying on Ken (semi-retired?) far too much for labor and we plan to manage the ranch without hiring outside help. We plan to run more commercial cows and have a small elite registered herd, we will be retaining our ET heifer calves a few older cows (over 8 years old) and a small embryo bank for the base of our herd. We're moving our calving back to April and not having a February bull sale in order to work with mother nature a little more. As you go through the cattle I'm sure that our love for Hereford cattle for over 60 years will be evident. The females we are selling go back to generations of cattle with performance, eye appeal, and predictability. We take great pride in this herd of cattle and are very confident in their ability to go out and do a great job for their new owners. We have culled heavily based on soundness, performance, fertility, and udder quality. For you bull buyers this is an excellent opportunity to buy an outstanding set of calves right off their mothers. The cattle will be on display Sunday Oct. 3rd, so come early, study the cattle and visit with us and fellow cattleman. We will be having an informal barbecue on Sunday evening. We look forward to seeing everyone!

Sincerely,

Ken, Bonnie, Kirk, Brooke and Crissy Bieber

K&B Herefords
17309 322nd Ave.
Onida, SD 57564

Cell - Kirk 605-769-9991
Cell - Brooke 605-769-9992
Cell - Ken 605-769-9999

— Sale Bulls —

We are dispersing our entire COW HERD that is seven years old or younger on October 4, 2010 here at the K&B Ranch. We will also be selling the BULL and HEIFER calves at the side of those cows, along with some of the top embryo calves from the 2010 bull crop. THIS WILL BE THE BULL SALE GROUP as we are not planning a bull sale for spring 2011. The bull buyers will have near 90 bulls to select from in this sale.

To K&B BULL BUYERS:

We are offering a winter BULL DEVELOPMENT program to the buyers of this 2010 bull crop.

#1 — Bulls will be fed and wintered at a cost of \$75 per bull, per month until delivery.

#2 — Bulls left for the K&B bull development program will need to be insured. K&B will do a 50/50 cost share on the insurance premium. A six month policy is 4% of the purchase price, making the buyer's share 2% of the purchase price. Insurance premium is to be paid on sale day.

#3 — UNINSURED BULLS. The bull buyer accepts full responsibility of any loss if they decline the insurance and they will sign a waiver at settlement time.

We feel that we have an outstanding offering of bulls to show and sell. They are being developed in the same manner as previous years and you will have the opportunity to see them with their mothers on sale day or any time prior to sale day.

We invite your inspection at any time. Give us a call.

P.S. The Angus bulls are available at private treaty.



K&B BANDIDO 8227U ET

DLF, IEF

BD: 4/10/08

<p>RRH MR FELT 3008 <i>SOD, CHB, DLF, HYF, IEF</i></p> <p>KCF BENNETT 3008 M326 <i>CHB, DLF, HYF, IEF</i></p> <p>KCF MISS 459 F284</p> <p>#42905285</p> <p>GO EXCEL L18 <i>SOD, CHB, DLF, HYF, IEF</i></p> <p>K&B MISS EXCEL 4216</p> <p>K&B MISS ADVANCE 9665</p>	<p>FELTONS 517 <i>SOD, CHB, HYF</i></p> <p>RRH MS VICT 6191</p> <p>FELTONS 459</p> <p>KCF MISS X4 B156</p> <p>DD EXCEL DESIGN 40 <i>SOD</i></p> <p>GO MS 124 ADVANCE 7005</p> <p>K&B ADVANCER 6321</p> <p>K&B IDA 7723</p>
--	--

BW	WW	YW	Milk	M&G	SC	REA	Marb.	CHB
5.3	60	97	24	54	1.5	0.48	0.12	\$32

Wow, what a bull! Here is a golden opportunity to buy a powerful breeding herd bull in his prime. He is by Lot 6, our super donor cow, 4216, and KCF Bennett 3008 M326. Phenotypically he is sound, correct on his feet and legs, deep bodied, loaded with muscle and moves like a true athlete. He is red to the ground and goggle eyed. There is a tremendous set of calves by him in this sale. His calves come easy and have excellent vigor. He sired 68 calves in 2010, with 42 bull calves average birth weight of 90.6 lbs. and 26 heifers average birth weight of 82.5 lbs. Many of the cows in the sale carry his service. He may be the best bull we've ever raised. His maternal brother, Tailor Made, sells as Lot 2. Bandido is a sure bet! 365-day REA 14.01, IMF 3.21, Rib Fat 0.22. Selling 2/3 interest and full possession.



Lot 1



K&B TAILOR MADE 9017W ET

DLF, HYF, IEF

BD: 2/24/09

<p>HH ADVANCE 90051 <i>CHB, DLF, IEF</i></p> <p>CJH HARLAND 408 <i>CHB, DLF, IEF</i></p> <p>CJH L1 DOMINETTE 0064</p> <p>#43004885</p> <p>GO EXCEL L18 <i>SOD, CHB, DLF, HYF, IEF</i></p> <p>K&B MISS EXCEL 4216</p> <p>K&B MISS ADVANCE 9665</p>	<p>KB L1 DOMINO 519</p> <p>HH MS ADVANCE 4054D <i>DOD</i></p> <p>L1 DOMINO 920501 <i>SOD</i></p> <p>CJH L1 DOMINETTE 759</p> <p>DD EXCEL DESIGN 40 <i>SOD</i></p> <p>GO MS 124 ADVANCE 7005</p> <p>K&B ADVANCER 6321</p> <p>K&B IDA 7723</p>
---	--

BW	WW	YW	Milk	M&G	SC	REA	Marb.	CHB
4.2	56	97	32	60	1.3	0.47	0.26	\$31

Tailor Made is the result of crossing Harland with 4216, our super L18 donor cow. He is a bull with tremendous muscle expression. He is solid marked, red eyed and has a large scrotal measurement. He has a tremendous set of balanced EPDs including carcass. He had REA 14.22, IMF 3.33 and Rib Fat 0.22. He should sire lots of milk and superior udder quality. We have a lot of confidence in Tailor Made's breeding ability. He is enrolled in the National Reference Sire Program and we are looking forward to the results. Selling 2/3 interest and full possession.



Lot 2

— Sale Bulls —



K&B 3027 JET 9145W

DLF, HYF, IEF

BD: 3/17/09

CL 1 DOMINO 9126J 1ET *SOD, CHB, DLF, IEF*
UPS DOMINO 3027 *CHB, DLF, IEF*

UPS MISS DIAMOND 1353

#43004634

UPS KOOTENAY 3251 1ET *CHB*

K&B KNOCKOUT LADY 7044T *DLF, IEF*

K&B MISS DOMINO 2424 *DOD, DLF, IEF*

HH ADVANCE 767G 1ET *SOD, CHB, DLF, IEF*

CL 1 DOMINETTE 490 *DOD*

SH DIAMOND 881 *SOD*

UPS MS MILEHIGH 8330

REMITALL KOOTENAY 9K *CHB, DLF, HYF, IEF*

UPS MISS PURE GOLD 0613

OXH DOMINO 8115

K&B IVA 6432

BW	WW	YW	Milk	M&G	SC	REA	Marb.	CHB
1.8	55	90	30	58	0.8	0.58	0.20	\$32

Jet combines the maternal and carcass excellence of 3027 with the power and style of his KO dam, 7044, who is donor cow, Lot 7. 3027 is a proven low birth weight, high performance bull. 7044 brings added performance, carcass and superior udders in her background. Jet's ultrasound data was REA 13.69, IMF 2.45, Rib Fat 0.22. He has as good a set of EPDs as you could write up. We bred many of the heifers and several of the cows in the sale to him. Selling 2/3 interest and full possession.



Lot 3



K&B N40 EXCEL 6052S

BD: 3/3/06

GO L18 EXCEL N40

GO EXCEL L18 *SOD, CHB, DLF, HYF, IEF*

GO MS 293 MARK DOM L57

#42710002

K&B DOMINO 7758 *SOD*

K&B MS DOMINO 0228K *DOD, DLF, IEF*

K&B IVA 6368

DD EXCEL DESIGN 40 *SOD*

GO MS 124 ADVANCE 7005

GO MARK DOMINO 8293 *SOD*

GO MS MARY 6089 *DOD*

CL 1 DOMINO 5101E

K&B QUEEN 029

K&B IMPACT 0126

K&B MISS BREAK 9077

BW	WW	YW	Milk	M&G	SC	REA	Marb.	CHB
6.3	65	101	28	60	0.9	0.59	0.03	\$33

6052 is a powerful son of Oschner's L18 son, N40. His dam is our donor cow 0228. 6052 throws calves with extra performance and his daughters should make awesome cows. He is a real impressive bull phenotypically and his offspring follow suit. Selling full interest and full possession.



Lot 4



K&B N40 EXCEL 6067S

BD: 3/5/06

GO L18 EXCEL N40

GO EXCEL L18 *SOD, CHB, DLF, HYF, IEF*

GO MS 293 MARK DOM L57

#42709998

MR BEEF 9045 *SOD, CHB, DLF, HYF, IEF*

OXH MRNA 2180

OXH CHRISTI 9351

DD EXCEL DESIGN 40 *SOD*

GO MS 124 ADVANCE 7005

GO MARK DOMINO 8293 *SOD*

GO MS MARY 6089 *DOD*

CH BEEF 7003 *SOD, CHB*

MISTY MR 045

CL 1 DOMINO 5131E *SOD, DLF, IEF*

OXH JUDI 6347

BW	WW	YW	Milk	M&G	SC	REA	Marb.	CHB
0.7	30	51	28	43	0.6	0.26	0.02	\$18

6067 is another N40 son we kept to use in our program. We specifically kept him to use on heifers and he has worked well as we've never assisted any heifers bred to him. His dam is a good MR Beef daughter we purchased from Oxleys. The females we've calved by him have excellent udders and are doing a nice job. Selling full interest and full possession.



Lot 5