



DVD REAR SEAT VIDEO SYSTEM JEEP COMMANDER

INSTALLATION INSTRUCTIONS

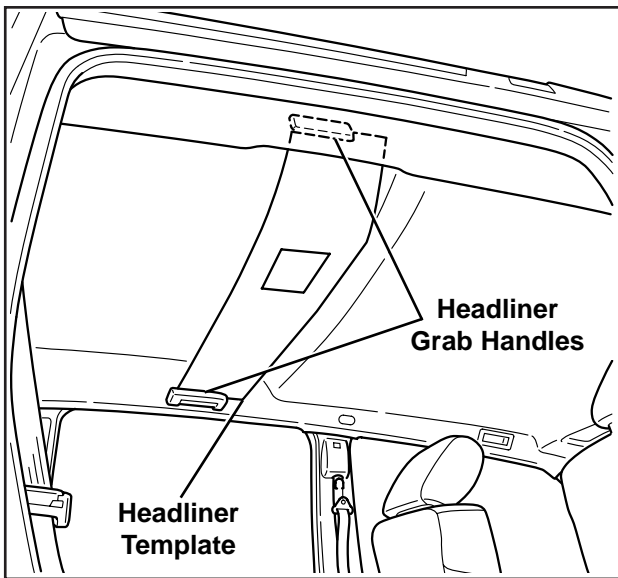
Vehicles equipped with a REF Radio will require a Premium Radio upgrade so that the vehicle speakers will function when a DVD is playing.

TOOLS REQUIRED:

- Scissors • Sharp utility knife • New roll of masking tape • Non-metal trim stick • Hooked Pick Tool
- 8mm, 10mm Socket • Socket wrench • T15, T25 Torx drivers • Magnetized T15 torx driver
- 5mm Allen head wrench • T55 Torx bit • Torque wrench • Metal wire routing tool
- Strong adhesive tape • Diagnostic STAR SCAN tool

CONTENTS:

Item	Qty.	Description
①	1	Template
②	4	M6 U-Nuts
③ A	1	Mounting Bracket (with sunroof)
③ B	1	Mounting Bracket (w/o sunroof)
④	4	M6 Screws & Washers
⑤	1	Overhead Harness
⑥	6	Tie Straps
⑦	1	Power Harness
⑧	1	DVD Player Bracket
⑨	1	DVD Player
⑩	4	T25 Screws
⑪	3	End Cap/Lid Assemblies
⑫	4	T15 Screws
⑬	1	Screen Console
⑭	1	DVD Remote
⑮	1	Mercury Warning Label
⑯	6	Batteries
⑰	2	Headphones
⑱	1	Operating Instructions

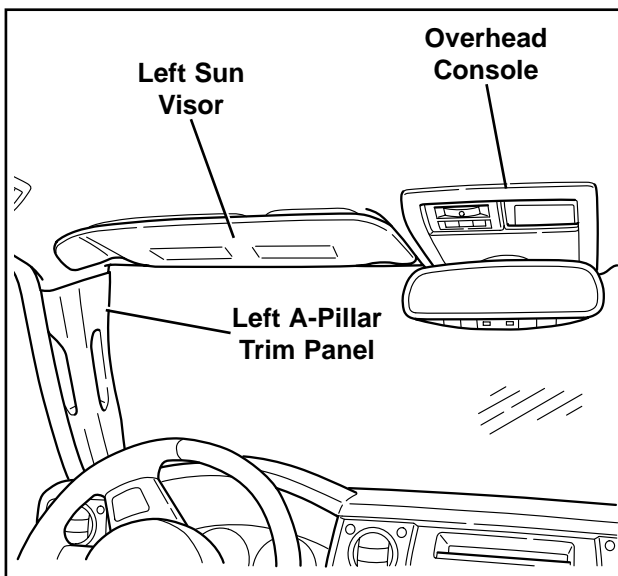


A - Trim Out the Headliner:

- 1) Trim out supplied template (Item 1) along the dotted lines as indicated for vehicles with or without sunroof.
- 2) Position and tape template to the headliner/rear sunroof where indicated.

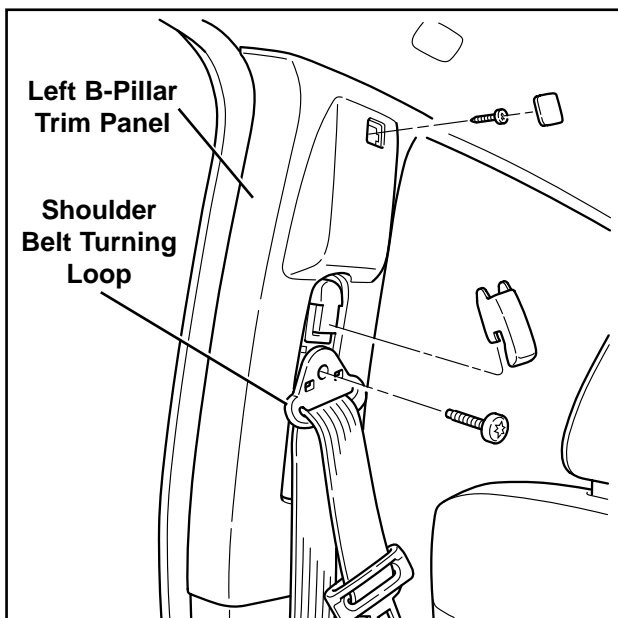
NOTE: Make sure the sunshade (if equipped) is closed.

- 3) Trim out the headliner using a sharp utility knife.

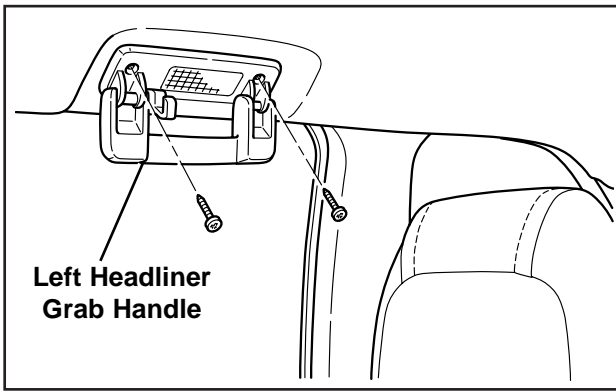


B - Interior Trim Panel and Component Removal:

- 1) Disconnect and isolate negative battery cable.
- 2) Remove left and right sun visors (two screws each/8mm wrench).
- 3) Remove left and right sun visor retaining clips (one phillips screw each side).
- 4) Disengage rear view mirror, then disconnect and remove the overhead console.

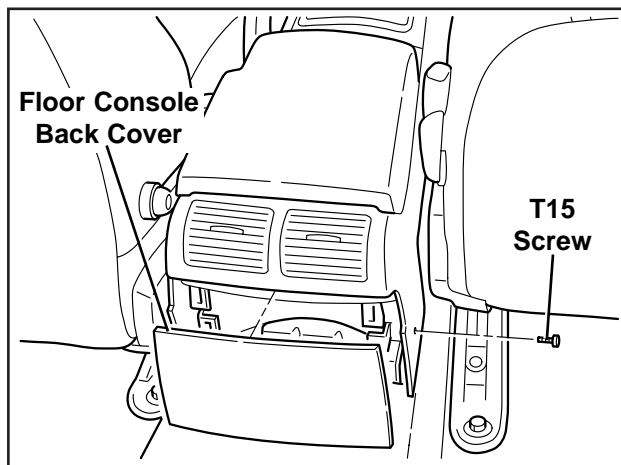
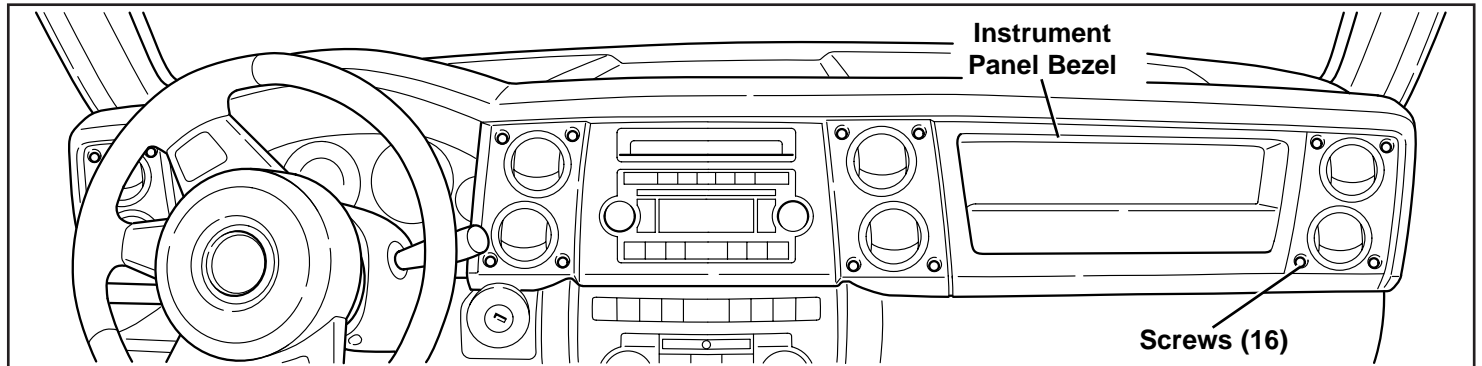


- 5) Open up cap plugs in the left and right A-pillar trim panels. Remove two screws each side (10mm wrench), then remove the panels.
- 6) Remove cap plugs from left and right B-pillar trim panels. Remove one screw each side using a magnetized T15 driver.
- 7) Remove two T55 shoulder belt turning loop bolts, then remove the B-pillar trim panels.



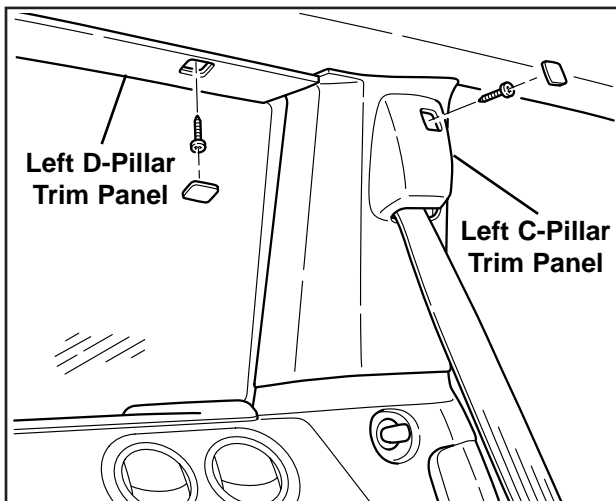
8) Disconnect and remove left and right headliner grab handles (two T20 screws).

9) Remove instrument panel bezel (sixteen 5mm allen head screws).



10) Remove and discard back cover from the rear of floor console.

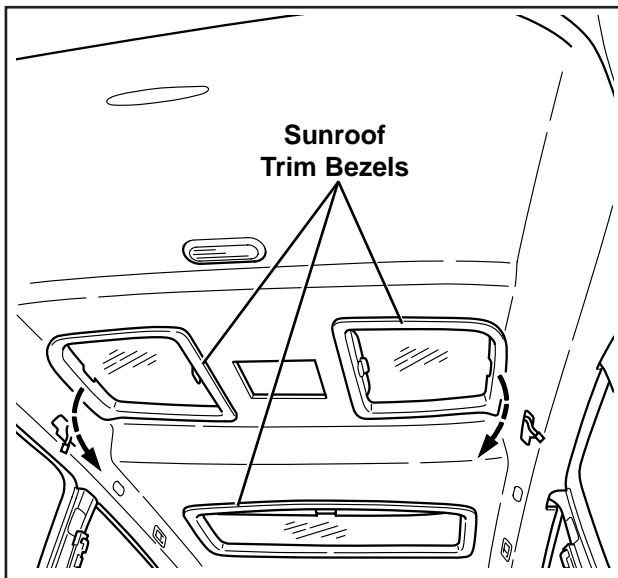
11) Remove one T15 screw from the right side of floor console.



NOTE: The following Steps 12-15 apply only to vehicles without sunroof.

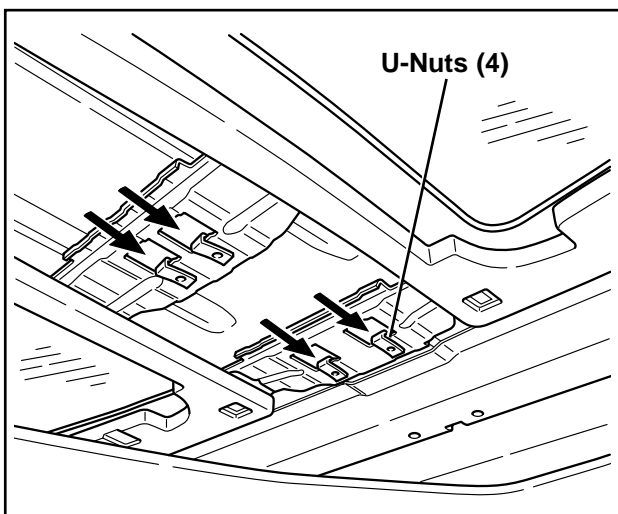
12) Remove front cap plugs from the left and right D-pillar trim panels. Disengage only the front portion of panels.

13) Remove cap plugs from the left and right C-pillar trim panels. Remove one phillips screw each side, then disengage panels.



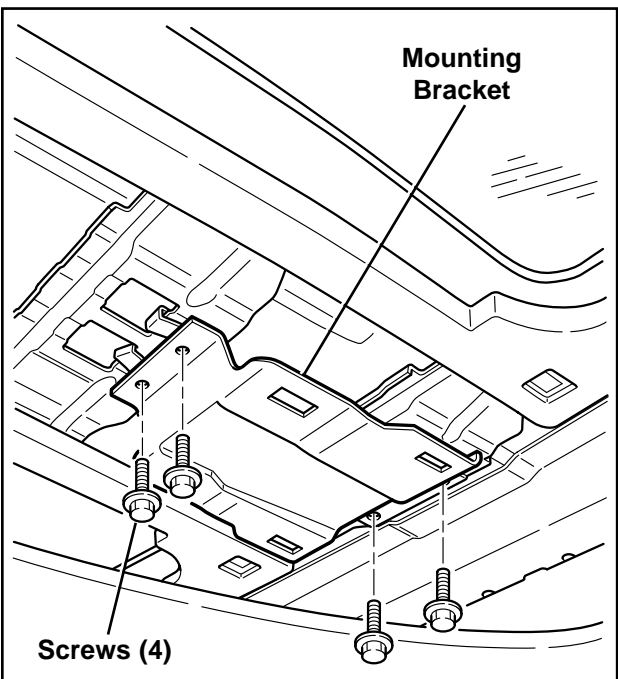
14) Carefully remove the front sunroof trim bezel held in place by ten clips.

15) Carefully remove left and right rear seat sunroof bezels held in place by six clips each side.



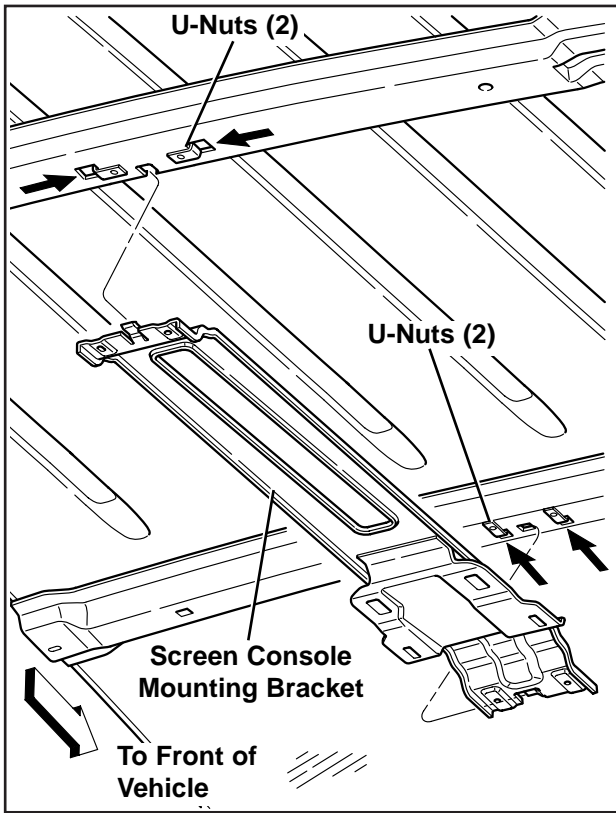
C1 – Install Screen Console Mounting Bracket on Vehicles with Sunroofs:

1) Install four u-nuts (Item 2) to slots in roof brackets between the rear seat sunroofs as shown.



2) Align mounting bracket (Item 3A) to the four installed u-nuts.

3) Install four supplied screws (Item 4). Tighten to 105 in.-lbs. (11.8 N·m).

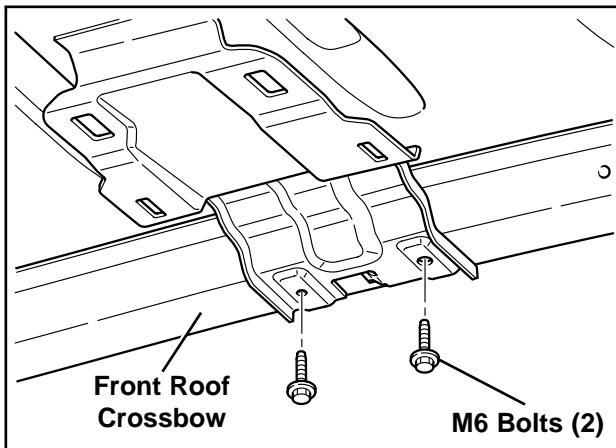


C2 – Install Screen Console Mounting Bracket on Vehicles without Sunroof:

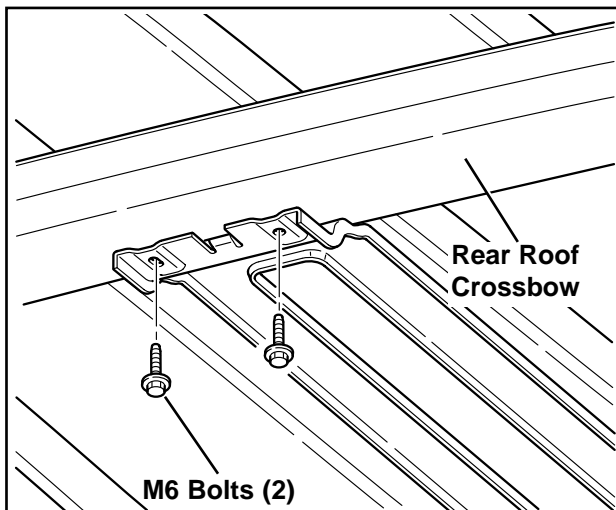
- 1) Install four u-nuts (Item 2) to slots in the front and rear roof crossbows as shown.
- 2) From the left (driver's side) rear door, slide mounting bracket (Item 3B) under the headliner and towards center of vehicle.

CAUTION! Stay clear of the side curtain airbags, if equipped.

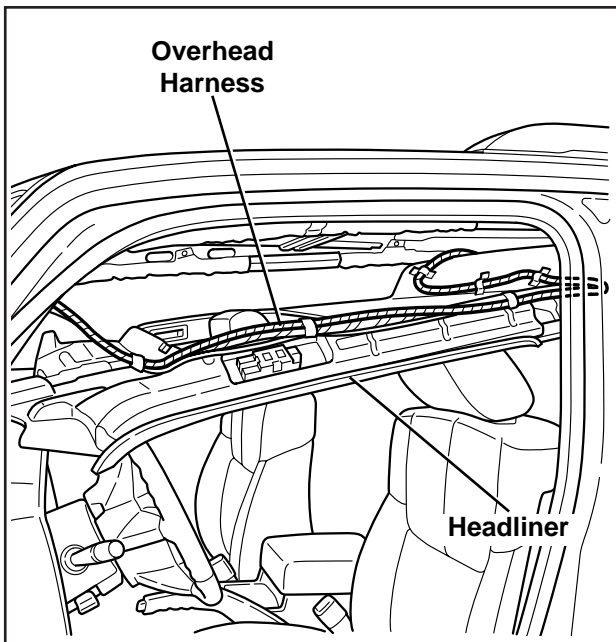
- 3) Lock the mounting bracket's rear tab to slot in the rear roof crossbow.
- 4) Slide the mounting bracket's front tab to slot in the front roof crossbow.



- 5) Install two supplied screws (Item 4) through the front roof crossbow.



- 6) Install two supplied screws (Item 4) through the rear roof crossbow.
- 7) Tighten the four screws to 105 in.-lbs. (11.8 N-m).

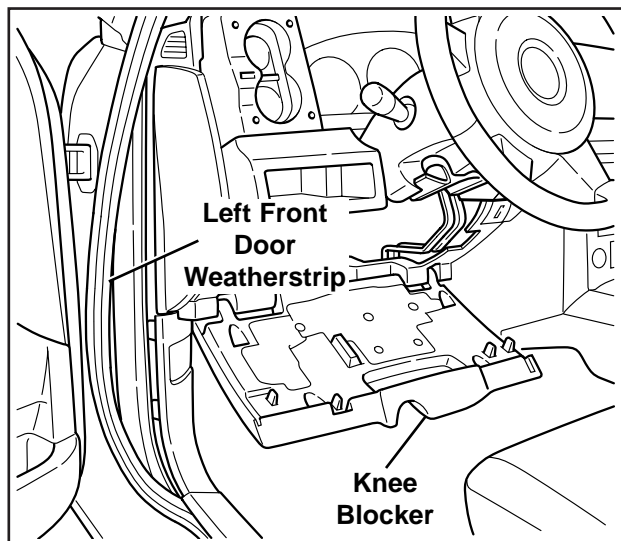


D – Install Overhead Harness and Power Harness:

- 1) Carefully lower the headliner and let it rest on the front and rear seat headrests.
- 2) Starting at the left (driver's side) rear door, route black 12-way connector on overhead harness (Item 5) under headliner and out of trimmed opening. Leave approximately 4" (101mm) of harness exposed.
- 3) Route harness forward along the headliner harness.
- 4) Using a strong adhesive tape, secure harness to the inside of headliner and headliner harness.
- 5) At this time the headliner must be positioned back in place. Re-install all the pillar trim panels, sun visors/retaining clips, overhead console, rear view mirror, and headliner grab handles.

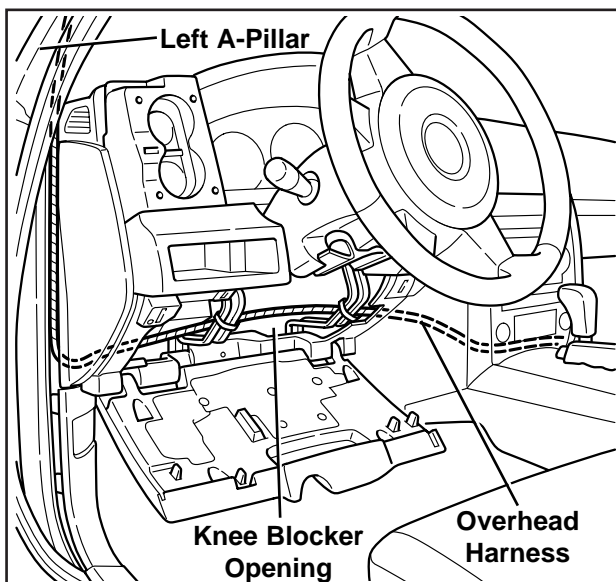
NOTE: Tighten left and right shoulder belt turning loop T55 bolts to 29 ft.-lbs. (39 N·m).

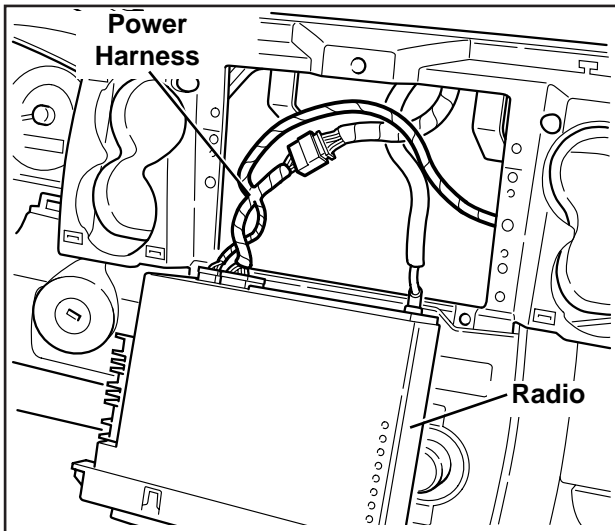
- 6) Detach left front door weatherstrip from the top of instrument panel to the top of door sill.
- 7) Drop down the knee blocker.



- 8) Continue to route overhead harness down the left A-pillar and secure it to the rear window washer feed hose using three tie straps (Item 6).
- 9) Route harness across the inside of knee blocker opening and through to the lower right center console trim panel.

NOTE: Secure harness away from any heat sources, sharp edges, or moving parts.





- 10) Hand feed 12-way connector on power harness (Item 7) into radio opening and down the right side of center console.
- 11) Plug 22-way connectors in-between the radio and radio harness connector.
- 12) Plug 10-way connector into the radio.

NOTE: If there is a 10-way connector already present in the radio, it means that the vehicle is equipped with Satellite Radio. Refer to the following procedure (A-F) and graphic:

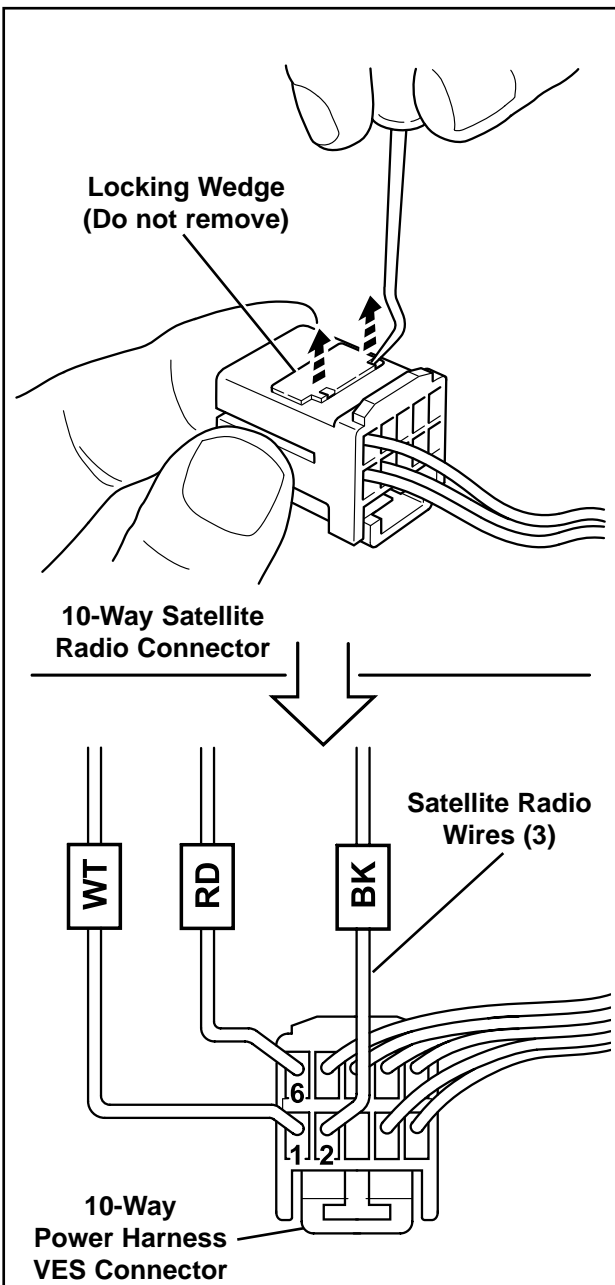
- a) Unplug 10-way connector from the radio.
- b) Using a hooked pick tool lift up the connector locking wedge slightly (do not remove it entirely).

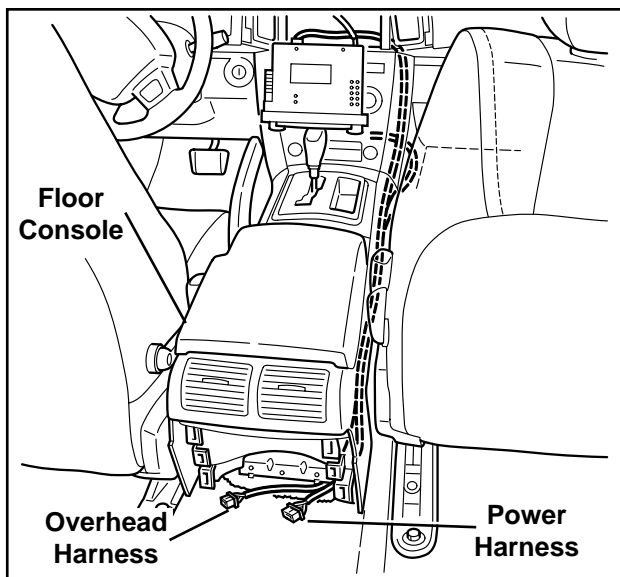
NOTE: Before removing wires from connector, label them with the connector cavity numbers.

- c) Remove the three wires from connector and discard it.

NOTE: Connector wires in vehicle with factory installed satellite radio will all be dark green. Make sure to insert them into the correct matching cavities of the power harness connector. Reference service manual if needed.

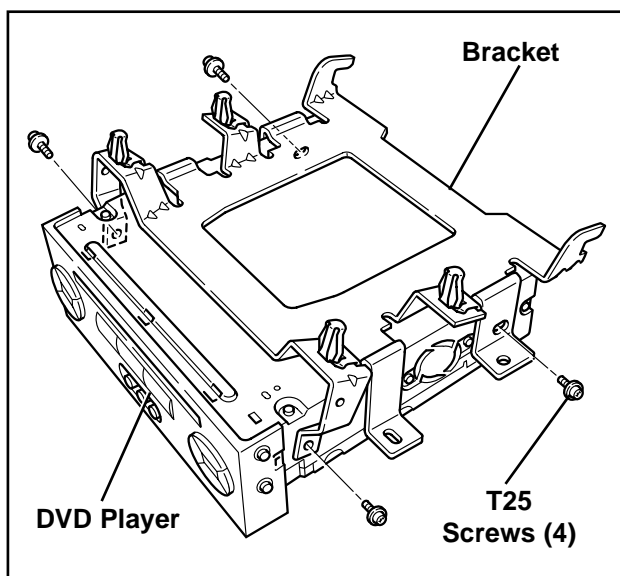
- d) Lift up the 10-way power harness connector locking wedge slightly.
- e) Insert the three wires into 10-way power harness connector as shown at left. Wire colors shown are from Mopar satellite radio harness.
- f) Engage locking wedge and plug connector into the radio.





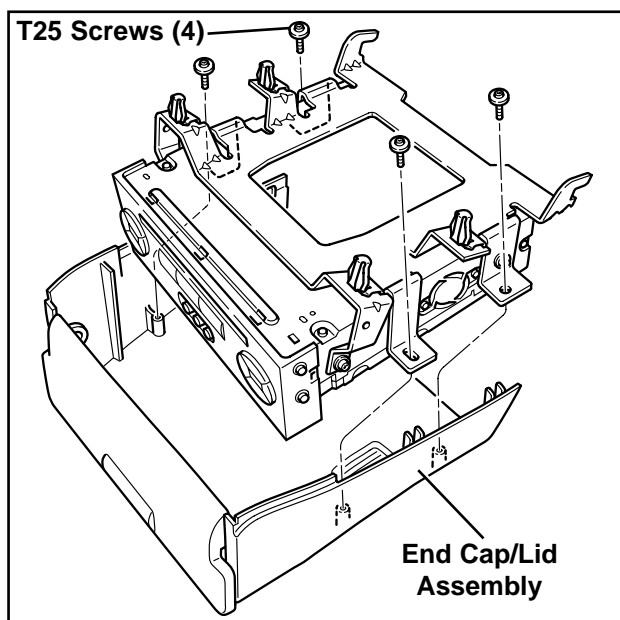
- 13) Route power harness and overhead harness rearward behind right side of floor console and under the carpet liner.
- 14) Position the harness connectors approximately 6" (152mm) out of the rear console's end cap mounting tabs.
- 15) Bundle up any slack in the harness, tape, and tuck neatly inside of center console.

NOTE: Make sure the power harness and overhead harness remain under the carpet liner to prevent rattles.

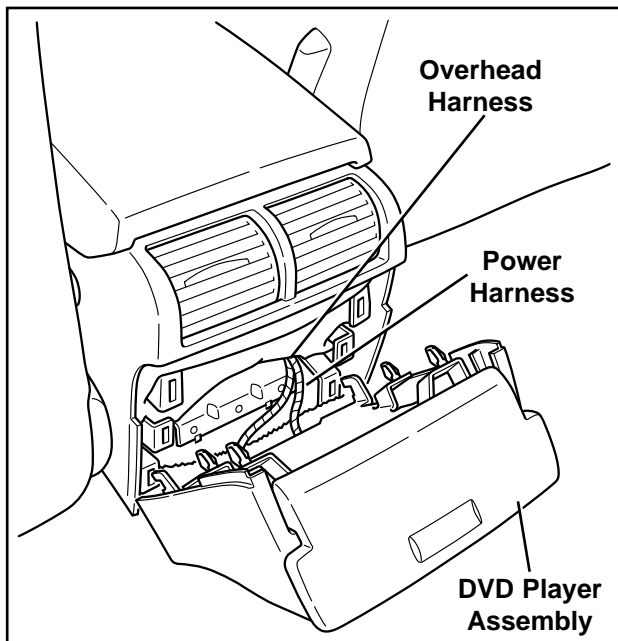


E – Install DVD Player and Screen Console:

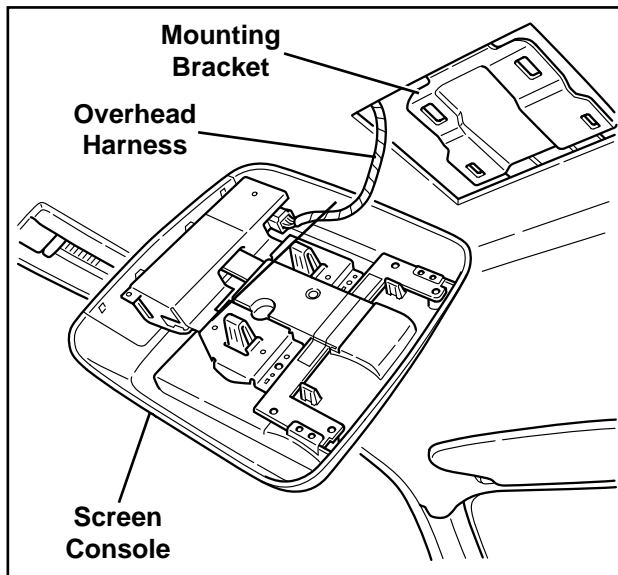
- 1) Install bracket (Item 8) to DVD player (Item 9) with four T25 screws (Item 10).



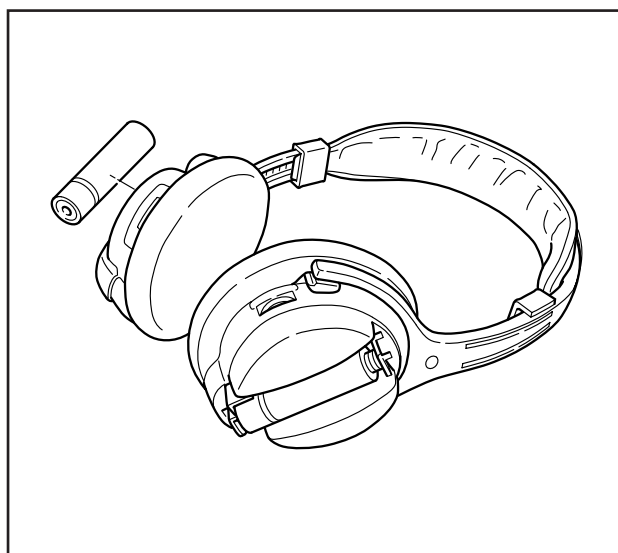
- 2) Install bracket/DVD player to the appropriately colored end cap/lid assembly (Item 11) with four T15 screws (Item 12).



- 3) Plug 12-way power harness connector and 16-way overhead harness connector into the back of DVD player.
- 4) Fully engage the DVD bracket's two hook tabs to the floor console bottom mounting slots.
- 5) Snap four retaining clips on the DVD bracket into the floor console mounting slots. Make sure the harnesses are not pinched or crimped.



- 6) Plug and lock overhead harness connector into the screen console (Item 13).
- 7) Snap four retaining clips on the top of screen console into the mounting bracket slots.
- 8) Open the screen and carefully remove the attached DVD remote (Item 14).
- 9) Peel and stick mercury warning label (Item 15) to lower portion of forward facing surface of the left (driver's side) B-pillar.



F – Finalize Installation and Perform Operation Test:

- 1) Re-install all previously removed components, panels, and fasteners.
- 2) Re-connect the vehicle's battery.
- 3) Place supplied batteries (Item 16) into both headphones (Item 17) as shown.
- 4) Place batteries into DVD remote.

- 5) Turn on ignition and the unit will power up.
- 6) Use a diagnostic STARSCAN tool so that the Front Control Module (FCM) is reconfigured and recognizes the Video Entertainment System (VES). Follow the procedure shown below.

IN THE INITIAL START UP SCREEN

- PRESS -----
- TOGGLE DOWN AND HIGHLIGHT -----
- PRESS -----
- PRESS -----
- TOGGLE DOWN AND HIGHLIGHT -----
- PRESS -----

*FOLLOW ON SCREEN PROMPTS
(I.E. CYCLE IGNITION KEY)*

- PRESS -----
- PRESS -----

- 7) Insert a known good DVD into the player.
- 8) Verify function of headphones and DVD remote using supplied Operating Instructions (Item 18).
- 9) Place Operating Instructions in the vehicle's glove box.