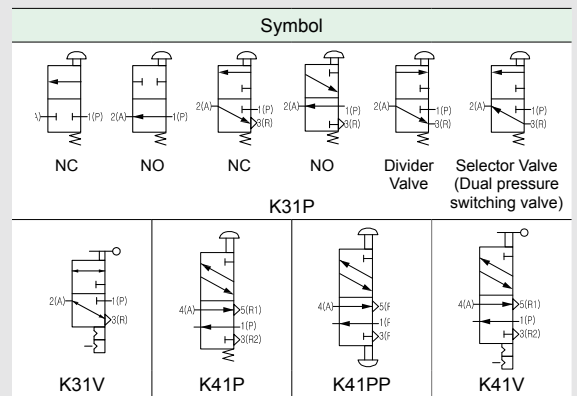
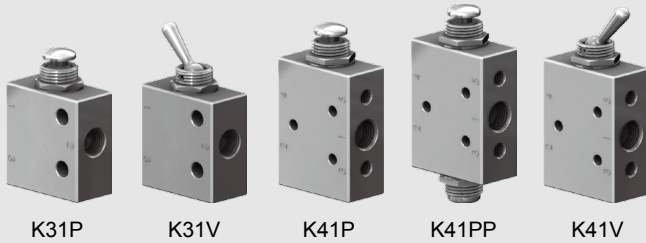
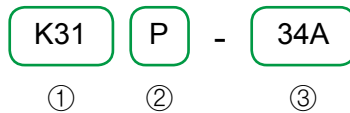


K31,K41 series



How to Order



① Series

K31	3 Port
K41	5 Port

② Operating

P	Push button (Spring return)
PP	Push button (Double action holding type) ※ Only for K41 5 port type
V	Pin lever (Holding type)

② Valve operator (Only for Push Button type)

Standard	Air Pilot type				Manual, Mechanical type	
	Nil	34A (High pressure)	341A (Medium pressure)	34AL (Low pressure)	34AR (Self return)	34B (Ball cam)

※ For details information about valve operator please refer to Page [3]-148.

Specifications

Model	K31P	K41P	K41PP	K31V	K41V
Fluid	Air, Inert gas				
Port size	Rc(PT)1/8, M5(K41)				
Effective sectional area S _{mm} (Cv)	5.5mm ² (0.08)				
Operating pressure	0.5~9kgf/cm ² (0.05~0.9MPa)				
Proof pressure	13.5kgf/cm ² (1.35MPa)				
Max. operating frequency	5 cycle/sec				
Lubrication	Not required				
Type of actuator	Push button (Spring return)		Push button (Double action holding)	Pin lever (Holding)	
Number of port	3 Port (NC/NO)	5 Port	5 Port	3 Port	5 Port
Stroke	2.4mm			-	
Operating angle	-			80°	
Ambient & fluid temperature	0°C ~ 60°C				
Attaching direction	Vertical				
Flow example	275L/min (At supply pressure 0.5MPa)				
Weight	55g	70g	75g	55g	70g

Usage Example (Different Piping Procedure)

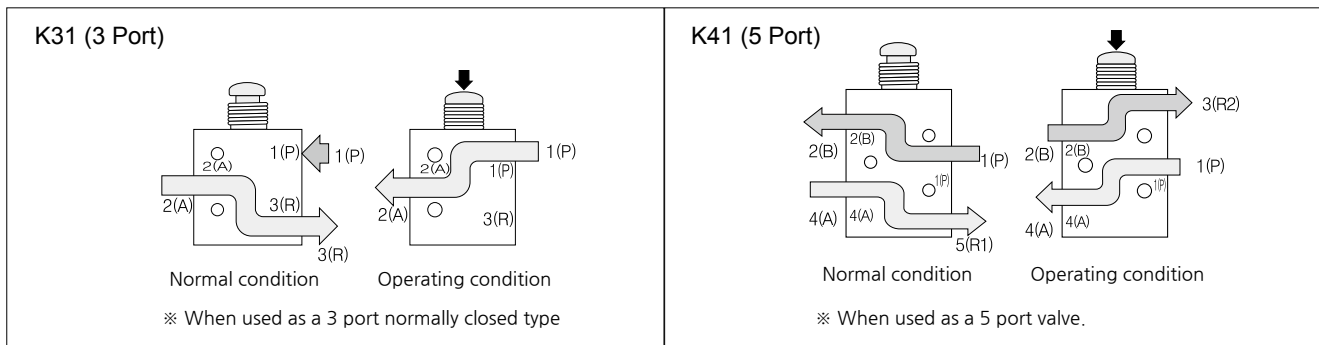
K31P, K31V

- 2-port, normally closed (3(R) port plugged)
- 2-port, normally open (1(P) port plugged)
- 3-port, normally closed (1(P) port used as IN)
- 3-port, normally open (3(R) port used as IN)
- Divider valve
[Use the 2(A) port as IN, the 1(P) port and 3(R) port as OUT.]
- Selector valve (Dual-pressure switching valve)
[Use the 1(P) port and 3(R) port as IN ports with different pressures.]

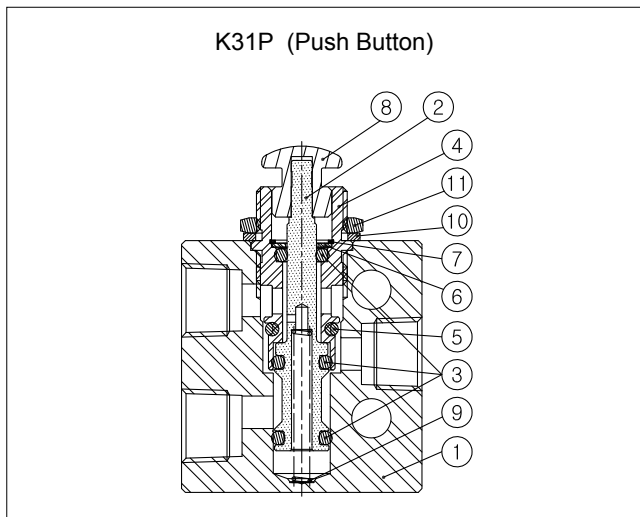
K41P, K41PP, K41V

- Plugging the 2(B) port makes a 3 port NC (normally closed) type
- Plugging the 4(A) port makes a 3 port NO (normally open) type
- 4(A), 2(B) port used as IN
- Analog Output : Refer to analog output of each model

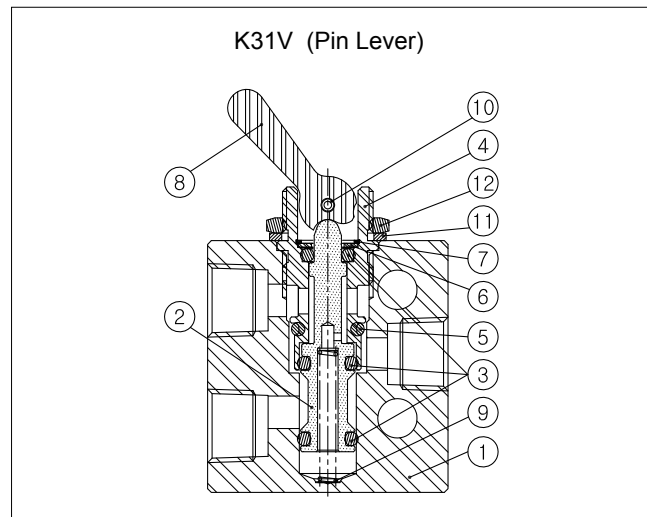
Operating Principle



Structure



Part no.	Parts	Material
1	BODY	AL
2	STEM	BRASS
3	O-RING-B	RUBBER
4	ADAPTER	BRASS
5	O-RING-A	RUBBER
6	FLAT WASHER	METAL
7	C-RING(HOLE)	METAL
8	BUTTON	METAL
9	SPRING	SUS
10	SPECIAL WASHER (INNER TOOTH)	METAL
11	NUT	METAL



Part no.	Parts	Material
1	BODY	AL
2	STEM	AL
3	O-RING-B	RUBBER
4	ADAPTER	BRASS
5	O-RING-A	RUBBER
6	FLAT WASHER	METAL
7	C-RING(HOLE)	METAL
8	LEVER	SUS
9	SPRING	SUS
10	SPRING PIN	METAL
11	SPECIAL WASHER (INNER TOOTH)	METAL
12	NUT	METAL

Solenoid Valve

KACV

KVM100

KVM200

KVMS230

KVM210

KVM341

KVM350

K

K31
K41

KHP320

KHP342

KHV320

KHV530

KHV

KFVM

KQE2000

KSQE

KPBV

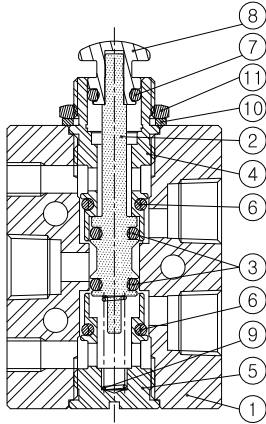
KPBT

Solenoid Reference Data

STC

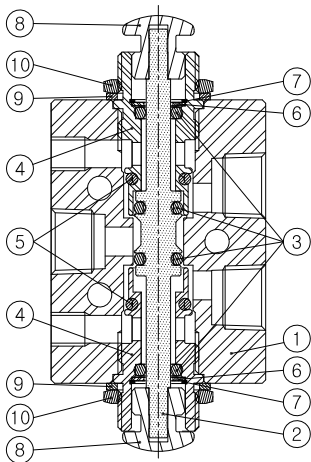
Structure

K41P (Push Button)



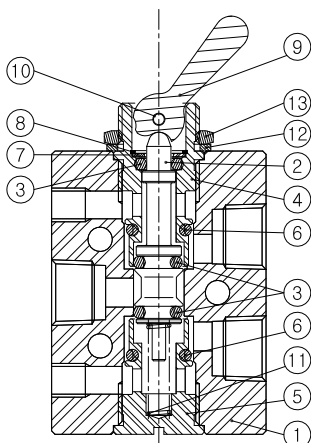
Part no.	Parts	Material
1	BODY	AL
2	STEM	BRASS
3	O-RING-C	RUBBER
4	ADAPTER	BRASS
5	PLUG	BRASS
6	O-RING-A	RUBBER
7	O-RING-B	RUBBER
8	BUTTON	METAL
9	SPRING	SUS
10	SPECIAL WASHER (INNER TOOTH)	METAL
11	NUT	METAL

K41PP (Push Button Double Action)



Part no.	Parts	Material
1	BODY	AL
2	STEM	BRASS
3	O-RING-B	RUBBER
4	ADAPTER	BRASS
5	O-RING-A	BRASS
6	WASHER	RUBBER
7	C-RING(HOLE)	RUBBER
8	BUTTON	METAL
9	SPECIAL WASHER (INNER TOOTH)	SUS
10	NUT	METAL

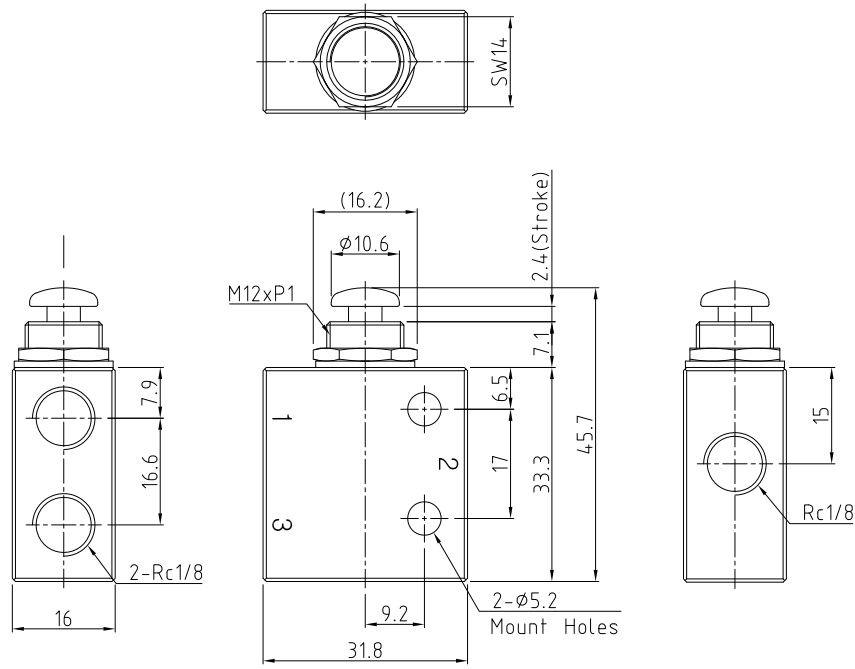
K41V (Pin Lever)



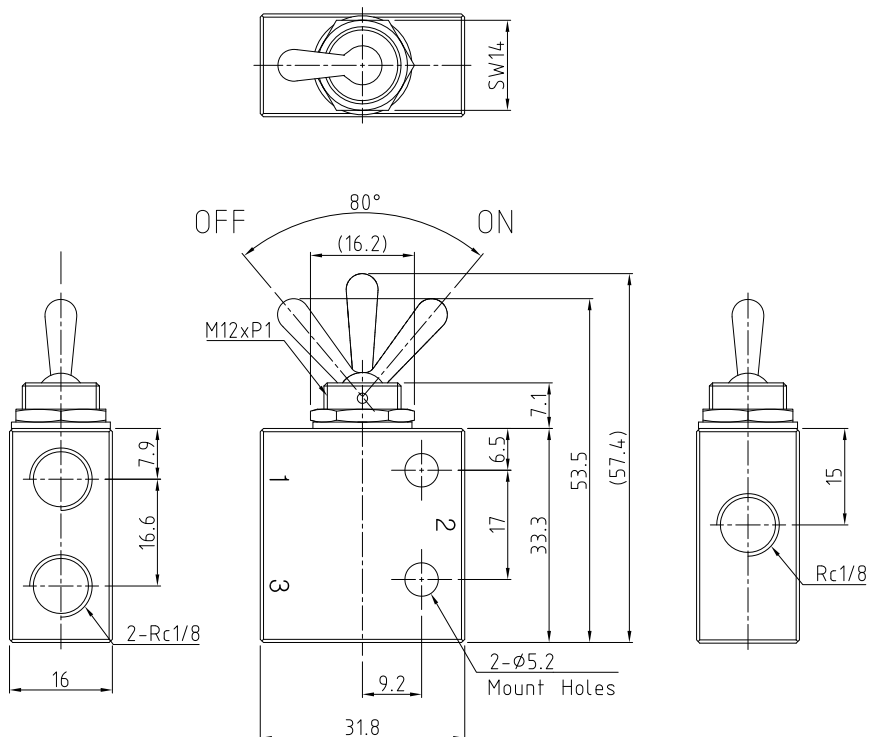
Part no.	Parts	Material
1	BODY	AL
2	STEM	SUS
3	O-RING-B	RUBBER
4	ADAPTER	BRASS
5	PLUG	BRASS
6	O-RING-A	RUBBER
7	WASHER	METAL
8	C-RING(HOLE)	METAL
9	LEVER	SUS
10	SPRING PIN	METAL
11	SPRING	SUS
12	SPECIAL WASHER (INNER TOOTH)	METAL
13	NUT	METAL

Dimensions

K31P
Push Button type



K31V
Pin Lever type



Solenoid Valve

KACV

KVM100

KVM200

KVMS230

KVM210

KVM341

KVM350

K

K31
K41

KHP320

KHP342

KHV320

KHV530

KHV

KFVM

KQE2000

KSQE

KPBV

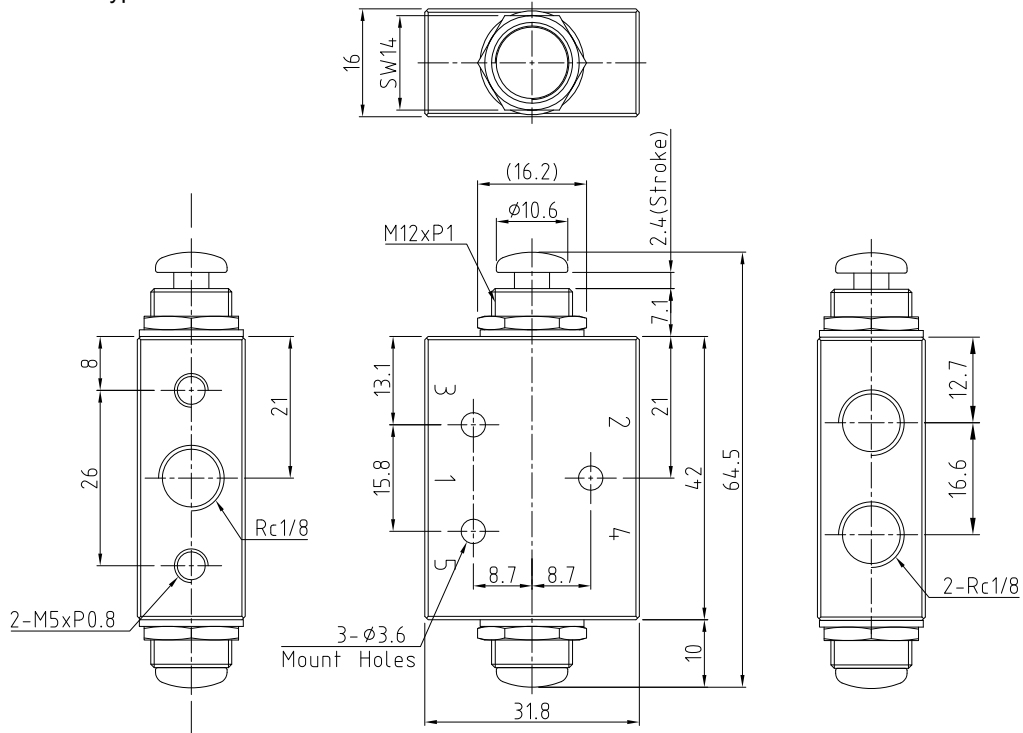
KPBT

Solenoid Reference Data

STC

Dimensions

K41PP
Pin Lever Double Action type



Solenoid Valve
KACV
KVM100
KVM200
KVMS230
KVM210
KVM341
KVM350
K
K31 K41
KHP320
KHP342
KHV320
KHV530
KHV
KFVM
KQE2000
KSQE
KPBV
KPBT
Solenoid Reference Data
STC