



ENGLISH
ESPAÑOL
FRANÇAIS

KD-A645 / KD-R640 / KD-R540 / KD-R440

CD RECEIVER

INSTRUCTION MANUAL

RECEPTOR CON CD

MANUAL DE INSTRUCCIONES

RÉCEPTEUR CD

MANUEL D'INSTRUCTIONS

JVC KENWOOD Corporation

Please read all instructions carefully before operation to obtain the best possible performance from the unit.

Por favor lea detenidamente este manual para comprender a fondo todas las instrucciones y obtener un máximo disfrute de esta unidad.

Veillez lire les instructions attentivement avant d'utiliser l'appareil afin d'obtenir les meilleures performances possibles de l'appareil.

For customer Use:

Enter below the Model No. and Serial No. which are located on the top or bottom of the cabinet. Retain this information for future reference.

Model No. _____

Serial No. _____



CONTENTS

BEFORE USE	2
BASICS	3
GETTING STARTED	4
RADIO	5
CD / USB / iPod	6
AUX	7
ILLUMINATION (KD-A645/KD-R640 only)	7
PANDORA® (KD-A645/KD-R640/KD-R540 only)	8
SiriusXM™ (KD-A645/KD-R640 only)	8
AUDIO SETTINGS	10
MORE INFORMATION	11
TROUBLESHOOTING	12
SPECIFICATIONS	13
INSTALLATION / CONNECTION	14

How to read this manual

- Operations explained mainly using buttons on the faceplate of **KD-R540 / KD-R440**.
- [XX] indicates the selected items.
- (→ XX) indicates references are available on the stated page number.

BEFORE USE

⚠ Warning

Do not operate any function that takes your attention away from safe driving.

⚠ Caution

Volume setting:

- Adjust the volume so that you can hear sounds outside the car to prevent accident.
- Lower the volume before playing digital sources to avoid damaging the speakers by the sudden increase of the output level.

General:

- Avoid using the USB device or iPod/iPhone if it might hinder driving safety.
- Make sure all important data has been backed up. We shall bear no responsibility for any loss of recorded data.
- Never put or leave any metallic objects (such as coins or metal tools) inside the unit, to prevent a short circuit.
- If a disc error occurs due to condensation on the laser lens, eject the disc and wait for the moisture to evaporate.

Remote control (RM-RK52):

- Do not leave the remote control in hot places such as on the dashboard.
- The Lithium battery is in danger of explosion if replaced incorrectly. Replace it only with the same or equivalent type.
- The battery pack or batteries shall not be exposed to excessive heat such as sunshine, fire or the like.
- Keep battery out of reach of children and in original package until ready to use. Dispose of used batteries promptly. If swallowed, contact a physician immediately.

For USA-California Only:

This product contains a CR Coin Cell Lithium Battery which contains Perchlorate Material—special handling may apply. See www.dtsc.ca.gov/hazardouswaste/perchlorate

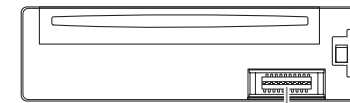
Maintenance

Cleaning the unit: Wipe off dirt on the faceplate with a dry silicon or soft cloth.

Cleaning the connector: Detach the faceplate and clean the connector with a cotton swab gently, being careful not to damage the connector.

Handling discs:

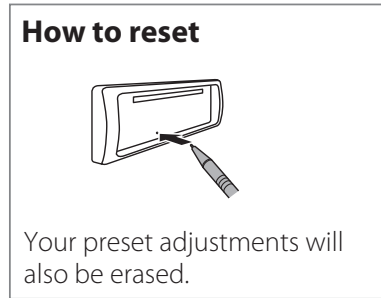
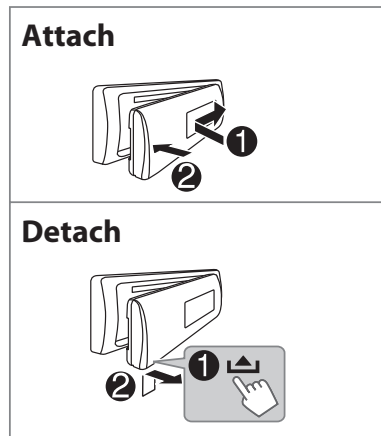
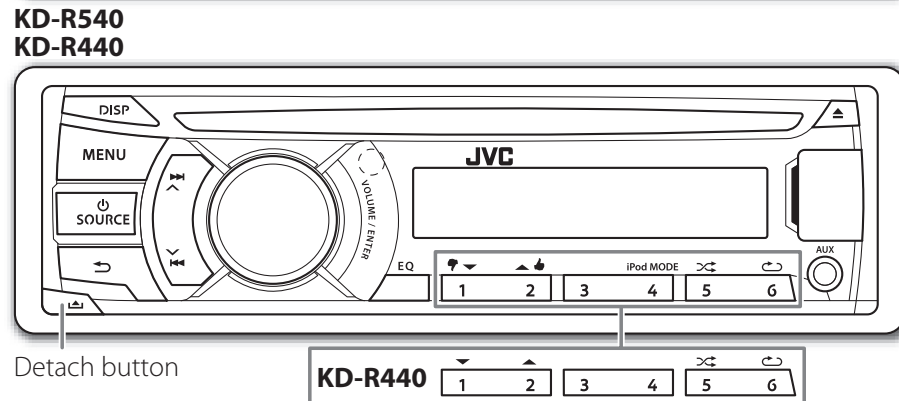
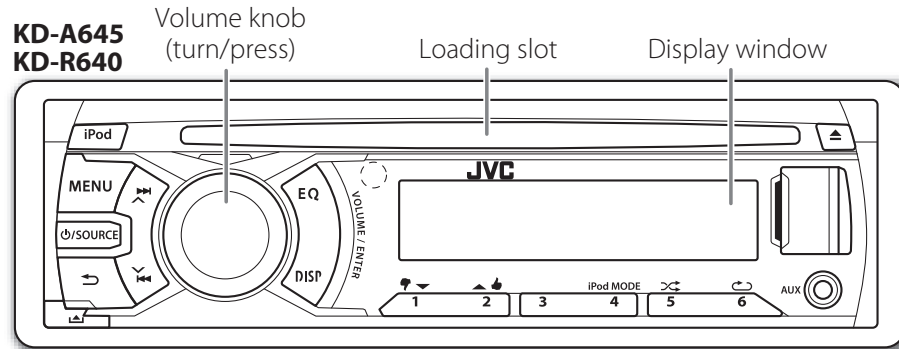
- Do not touch the recording surface of the disc.
- Do not stick tape etc. on the disc, or use a disc with tape stuck on it.
- Do not use any accessories for the disc.
- Clean from the center of the disc and move outward.
- Clean the disc with a dry silicon or soft cloth. Do not use any solvents.
- When removing discs from this unit, pull them out horizontally.
- Remove burrs from the center hole and disc edge before inserting a disc.



Connector (on the reverse side of the faceplate)

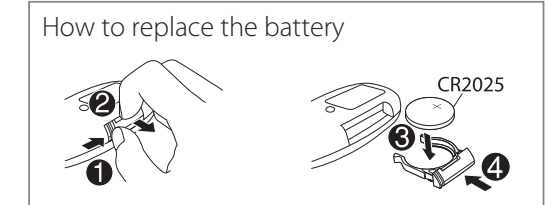
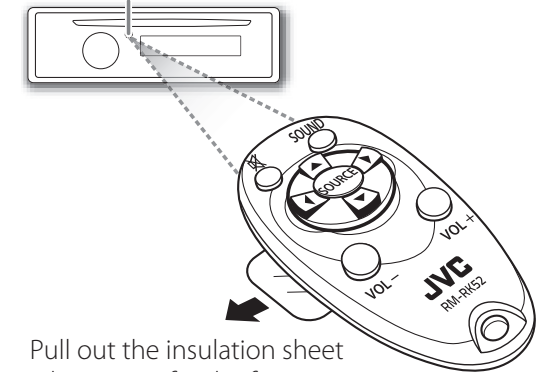
BASICS

Faceplate



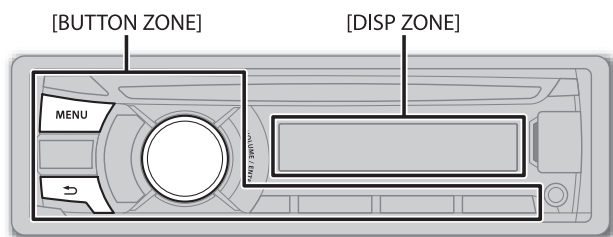
Remote control (RM-RK52)

Remote sensor
(Do not expose to bright sunlight.)



To	Do this (on the faceplate)	Do this (on the remote control)
Turn on the power	Press SOURCE . • Press and hold to turn off the power.	(not available)
Adjust the volume	Turn the volume knob. Press the volume knob to mute the sound or pause playback. • Press again to cancel.	Press VOL + or VOL - . Press SOUND to mute the sound or pause playback. • Press again to cancel.
Select a source	• Press SOURCE repeatedly. • Press SOURCE , then turn the volume knob within 2 seconds.	Press SOURCE repeatedly.
Change the display information	Press DISP repeatedly. (→ 11) • Press and hold to scroll the current display information.	(not available)

GETTING STARTED



1 Cancel the demonstration

- 1 Press and hold **MENU**.
- 2 Press the volume knob to select **[DEMO]**.
- 3 Turn the volume knob to select **[DEMO OFF]**, then press the knob.
- 4 Press **MENU** to exit.

2 Set the clock

- 1 Press and hold **MENU**.
- 2 Turn the volume knob to select **[CLOCK]**, then press the knob.
- 3 Turn the volume knob to select **[CLOCK SET]**, then press the knob.
- 4 Turn the volume knob to select the day, then press the knob.
- 5 Turn the volume knob to adjust the hour, then press the knob.
- 6 Turn the volume knob to adjust the minute, then press the knob.
- 7 Press **MENU** to exit.

3 Set the basic settings

- 1 Press and hold **MENU**.
- 2 Turn the volume knob to make a selection, then press the knob.
 - See the following table for selection.
- 3 Press **MENU** to exit.

To return to the previous hierarchy, press **↶**.

Default: **XX**

CLOCK

- CLOCK ADJ** **AUTO**: The clock time is automatically set using the Clock Time (CT) data in FM Radio Broadcast Data System signal. ; **OFF**: Cancels.
- CLOCK DISP** **ON**: The clock time is shown on the display even when the unit is turned off. ; **OFF**: Cancels.

DIMMER

- DIMMER SET** Selects the display and button illumination adjusted in the **[BRIGHTNESS]** setting. **AUTO**: Changes between the day and night adjustments when you turn off or on the car headlights.*1 ; **ON**: Selects the night adjustments. ; **OFF**: Selects the day adjustments.
- BRIGHTNESS** Sets the display and button brightness for day and night separately.
- 1 **DAY/ NIGHT**: Select day or night.
 - 2 **BUTTON ZONE/ DISP ZONE**: Select the zone for setting.
 - 3 Set the brightness level (**00** to **31**). (Default: **DAY: 31** ; **NIGHT: 15**)

DISPLAY

- SCROLL***2 **ONCE**: Scrolls the display information once. ; **AUTO**: Repeats scrolling at 5-second intervals. ; **OFF**: Cancels.
- TAG DISPLAY** **ON**: Shows the TAG information while playing MP3/WMA files. ; **OFF**: Cancels.

IPOD SWITCH*3 : For **KD-A645 / KD-R640 / KD-R540** only

HEAD MODE: Controls music playback only from this unit. ; **IPOD MODE**: Controls music playback from both the unit and iPod/iPhone. ; **EXT MODE**: Controls music playback only from the iPod/iPhone.

SRC SELECT

- AM***4 **ON**: Enables AM in source selection. ; **OFF**: Disables.
- PANDORA***4 (For **KD-A645 / KD-R640 / KD-R540** only) **ON**: Enables PANDORA in source selection. ; **OFF**: Disables.
- AUX***4 **ON**: Enables AUX in source selection. ; **OFF**: Disables. ; **BT ADAPTER**: Select when the KS-BTA100 Bluetooth adapter is connected to the AUX jack (**→ 7**). The source name will change to BT AUDIO.

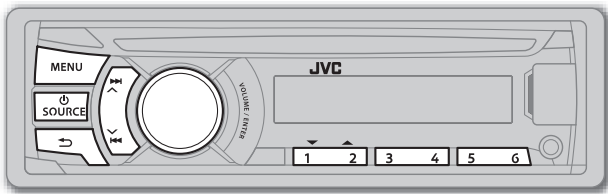
*1 The illumination control wire connection is required. (**→ 15**)

*2 Some characters or symbols will not be shown correctly (or will be blanked).

*3 Displayed only when the source is USB-IPOD.

*4 Not displayed when the corresponding source is selected.

RADIO



“ST” lights up when receiving an FM stereo broadcast with sufficient signal strength.

Search for a station

- 1 Press **SOURCE** to select FM or AM.
- 2 Press **SEARCH** (or **◀/▶** on RM-RK52) to search for a station automatically.
(or)
Press and hold **SEARCH** (or **◀/▶** on RM-RK52) until “M” flashes, then press repeatedly to search for a station manually.

Store a station

You can store up to 18 stations for FM and 6 stations for AM.
While listening to a station...

Press and hold one of the number buttons (**1 to 6**) to store.

(or)

- 1 Press and hold the volume knob until “PRESET MODE” flashes.
- 2 Turn the volume knob to select a preset number, then press the knob.
The preset number flashes and “MEMORY” appears.

Select a stored station

Press one of the number buttons (**1 to 6**).

(or)

- 1 Press **MENU**.
- 2 Turn the volume knob to select a preset number, then press the knob.

Search for your favorite program (PTY Search)

Available only for FM Radio Broadcast Data System stations.

- 1 Press and hold **SEARCH**.
- 2 Turn the volume knob to select a PTY code (see the right column), then press the knob to start searching.

If there is a station broadcasting a program of the same PTY code as you have selected, that station is tuned in.

Other settings

- 1 Press and hold **MENU**.
- 2 Turn the volume knob to select **[TUNER]**, then press the knob.
- 3 Turn the volume knob to make a selection (see the table below), then press the knob.
- 4 Press **MENU** to exit.

Default: **XX**

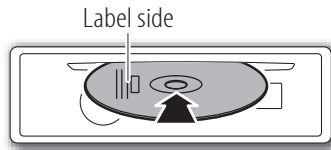
SSM	SSM 01 – 06 / SSM 07 – 12 / SSM 13 – 18 : Automatically presets up to 18 stations for FM. “SSM” stops flashing when the first 6 stations are stored. Select SSM 07 – 12 / SSM 13 – 18 to store the following 12 stations.
AREA	AREA US : For North/Central/South America, AM/FM intervals: 10 kHz/200 kHz. ; AREA EU : For any other areas, AM/FM intervals: 9 kHz/50 kHz. ; AREA SA : For some South American countries, AM/FM intervals: 10 kHz/50 kHz.
MONO	Displayed only when the source is FM. MONO ON : Improves the FM reception, but the stereo effect will be lost. ; MONO OFF : Cancels.
IF BAND	AUTO : Increases the tuner selectivity to reduce interference noises from adjacent stations. (Stereo effect may be lost.) ; WIDE : Subjects to interference noises from adjacent stations, but sound quality will not be degraded and the stereo effect will remain.
RADIO TIMER	Turns on the radio at a specific time regardless of the current source. <ol style="list-style-type: none"> 1 ONCE / DAILY / WEEKLY / OFF: Select how often the timer will be turned on. 2 FM / AM: Select the FM or AM band. 3 01 to 18 (for FM)/ 01 to 06 (for AM): Select the preset station. 4 Set the activation day and time. • “Ⓢ” lights up when complete. Radio Timer will not activate for the following cases. • The unit is turned off. • [OFF] is selected for [AM] in [SRC SELECT] after Radio Timer for AM is selected. (→ 4)

PTY code: **NEWS, INFORM** (information), **SPORTS, TALK, ROCK, CLS ROCK** (classic rock), **ADLT HIT** (adult hits), **SOFT RCK** (softrock), **TOP 40, COUNTRY, OLDIES, SOFT, NOSTALGA** (nostalgia), **JAZZ, CLASSICL** (classical), **R & B** (rhythm and blues), **SOFT R&B** (soft rhythm and blues), **LANGUAGE, REL MUSC** (religious music), **REL TALK** (religious talk), **PERSNLTY** (personality), **PUBLIC, COLLEGE, HABL ESP** (Spanish talk), **MUSC ESP** (Spanish music), **HIP HOP, WEATHER**

CD / USB / iPod

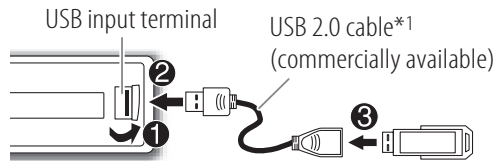
Start playback

CD



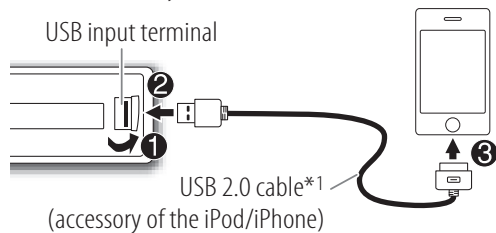
The source changes to CD and playback starts.
 • To eject a disc, press ▲.

USB



The source changes to USB and playback starts.

iPod/iPhone (KD-A645 / KD-R640 / KD-R540 only)



The source changes to USB-IPOD and playback starts.

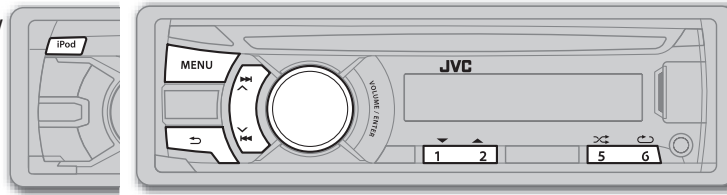
• You can also change the source from the other source to iPod by pressing **iPod**.

Press **4 iPod MODE** repeatedly to select the control mode ([**HEAD MODE**] / [**IPOD MODE**] / [**EXT MODE**]) directly.

• See also [**IPOD SWITCH**]. (→ 4)

*1 Do not leave the cable inside the car when not using.

KD-A645 /
KD-R640



KD-A645 / KD-R640
KD-R540

iPod MODE
4

✓ : Applicable
— : Not applicable

To	Do this	CD	USB	iPod
Select a track/file	Press ◀/▶ (or ◀/▶ on RM-RK52).	✓	✓	✓*2
Select a folder (MP3/WMA)	Press 1 ▼/2 ▲ (or ▲/▼ on RM-RK52).	✓	✓	—
Reverse/Fast-forward	Press and hold ◀/▶ (or ◀/▶ on RM-RK52).	✓	✓	✓*2
Select a track/file from a list	1 Press MENU 2 Turn the volume knob to make a selection, then press the knob. • MP3/WMA file: Select the desired folder, then a file. • iPod or JVC Playlist Creator (JPC) / JVC Music Control (JMC) file*3: Select the desired file from the list (PLAYLISTS, ARTISTS, ALBUMS, SONGS, PODCASTS*4, GENRES, COMPOSERS*4). • To return to the previous hierarchy, press ↶. • To cancel, press MENU . Note: Turn the volume knob quickly to fast-search.	✓	✓	✓*5
Repeat play	Press 6 ↺ repeatedly to make a selection. • Audio CD or JPC / JMC file: TRACK RPT, RPT OFF • MP3/WMA file: TRACK RPT, FOLDER RPT, RPT OFF • iPod: ONE RPT, ALL RPT	✓	✓	✓*5
Random play	Press 5 ↻ repeatedly to make a selection. • Audio CD: ALL RND, RND OFF • MP3/WMA file or JPC / JMC file: FOLDER RND, ALL RND, RND OFF • iPod: SONG RND, ALBUM RND*6, RND OFF	✓	✓	✓*5

*2 Applicable under [**HEAD MODE**] and [**IPOD MODE**] only. (→ 4)

*3 Only for files registered in the database created with JPC / JMC. (→ 11)

*4 Only for iPod.

*5 Applicable under [**HEAD MODE**] only. (→ 4)

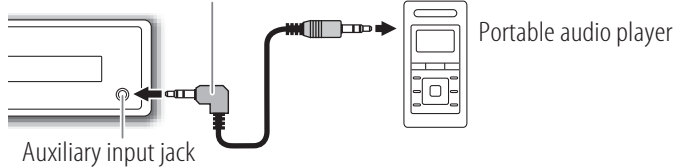
*6 Not applicable for some iPod/iPhone.

AUX

Use a portable audio player

- 1 Connect a portable audio player (commercially available).

3.5 mm (1/8") stereo mini plug with "L" shaped connector (commercially available)



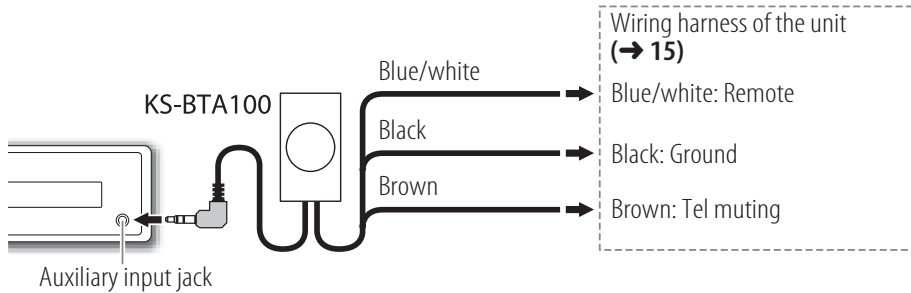
- 2 Select **[ON]** for **[AUX]** in **[SRC SELECT]**. (→ 4)
- 3 Press **SOURCE** to select AUX.
- 4 Turn on the portable audio player and start playback.



Use a 3-core plug head stereo mini plug for optimum audio output.

Use a Bluetooth® device

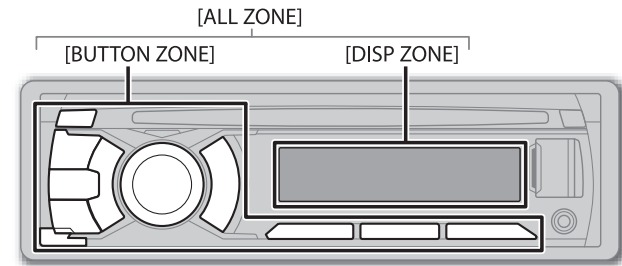
- 1 Connect the Bluetooth adapter, KS-BTA100 (separately purchased).



- 2 Register (pair) the Bluetooth device with KS-BTA100.
- 3 Select **[BT ADAPTER]** for **[AUX]** in **[SRC SELECT]**. (→ 4)
- 4 Press **SOURCE** to select BT AUDIO
- 5 Start using the Bluetooth device.

For details, refer to the instruction manual of KS-BTA100.

ILLUMINATION (KD-A645 / KD-R640 only)



- 1 Press and hold **MENU**.
- 2 Turn the volume knob to select **[COLOR]** or **[COLOR SETUP]**, then press the knob.
- 3 Turn the volume knob to make a selection (see the table below), then press the knob.
- 4 Press **MENU** to exit.

Default: **XX**

COLOR: Select a color for **[BUTTON ZONE]**, **[DISP ZONE]**, and **[ALL ZONE]** separately.

BUTTON ZONE [COLOR 06] **COLOR 01 to COLOR 29:** The selected color is shown on the selected zone.
USER: The color you have created in **[COLOR SETUP]** is shown on the selected zone.

DISP ZONE [COLOR 01] **COLOR FLOW 01 to COLOR FLOW 03:** Color changes at different speeds.

ALL ZONE [COLOR 06] The button and display illumination will change to the current or selected **[BUTTON ZONE]** color.

COLOR SETUP: Store your own day and night colors for **[BUTTON ZONE]** and **[DISP ZONE]** separately.

DAY COLOR **[1] BUTTON ZONE / DISP ZONE:** Select a zone.
[2] RED / GREEN / BLUE: Select a primary color.
[3] 00 to 31: Select the level.

NIGHT COLOR Repeat steps **[2]** and **[3]** for all the primary colors.
• Your setting is stored to **[USER]** in **[COLOR]**.
• If **[00]** is selected for all primary colors for **[DISP ZONE]**, nothing appears on the display.

MENU COLOR **ON:** Changes the display and buttons illumination when settings are performed on menu and list search. ; **OFF:** Cancels.

[NIGHT COLOR] or **[DAY COLOR]** is changed by turning on or off your car's headlight.

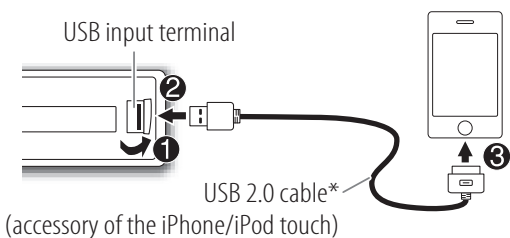
Preparation:

Install the latest version of the Pandora® application into your device (iPhone/iPod touch), then log in and create an account with Pandora®.

- Select **[ON]** for **[PANDORA]** in **[SRC SELECT]**. (→ 4)

Start listening

- 1 Open the Pandora® application on your device.
- 2 Connect your device to the USB input terminal.



The source changes to PANDORA and broadcast starts.

* Do not leave the cable inside the car when not using.

About Pandora® internet radio

- Pandora® is only available in the US.
- Because Pandora® is a third-party service, the specifications are subject to change without prior notice. Accordingly, compatibility may be impaired or some or all of the services may become unavailable.
- Some functions of Pandora® cannot be operated from this unit.
- For issues using the application, please contact Pandora at pandora-support@pandora.com.
- If the version of the OS of the connected iPhone is earlier than 4.0, start the PANDORA internet radio application before selecting the PANDORA source.

To

Do this

Pause or resume playback

Press the volume knob.

Thumbs up or thumbs down

- Press **1 ♪ / 2 ♫**.
- If thumbs down is selected, the current track is skipped.

Skip a track

Press **⏮**.

Create a new station

- 1 Press **MENU**.
- 2 Turn the volume knob to select **[NEW STATION]**, then press the knob.
- 3 Turn the volume knob to select **[FROM TRACK]** or **[FROM ARTIST]**, then press the knob.
A new station is created based on the current song or artist.

Search for a registered station

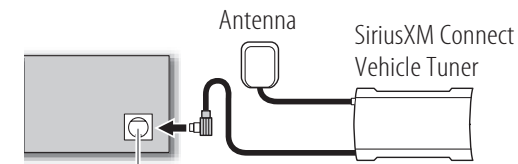
- 1 Press **MENU**.
- 2 Turn the volume knob to make a selection, then press the knob.
[BY DATE]: According to the registered date.
[A-Z]: Alphabetical order.
- 3 Turn the volume knob to select the desired station, then press the knob.

Bookmark a song or artist information

- 1 Press and hold the volume knob.
- 2 Turn the volume knob to select **[THIS TRACK]** or **[THIS ARTIST]**, then press the knob.
"BOOKMARKED" appears and the information is stored to your device.
The bookmark is available on your Pandora® account but not on this unit.

Preparation:

- 1 Connect the optional SiriusXM Connect Vehicle Tuner (commercially available).



Expansion port on the rear panel

- 2 Activate the subscription through www.siriusxm.com/activatenow or call 1-866-635-2349.
The Radio ID is required to activate the SiriusXM Connect Vehicle Tuner. The Radio ID is located on the label of the SiriusXM Connect Vehicle Tuner and can also be shown on the unit's display window when you select "Channel 0" after SiriusXM Connect Vehicle Tuner is connected.
- 3 Press **⏻ SOURCE** to select SIRIUS XM to start updating.

Start listening

- 1 Press **⏻ SOURCE** to select SIRIUS XM.
- 2 Press **MENU**.
- 3 Turn the volume knob to select CATEGORY, then press the knob.
- 4 Turn the volume knob to select a category from the list, then press the knob.
If "ALL CHANNEL" is selected, all the available channels will be shown.

- 5** Turn the volume knob to select a channel, then press the knob.
(or)

Press / to search for a channel manually.

- Pressing and holding / changes the channel rapidly.

If a locked channel or a mature channel ([**MATURE CH**] is set to [**ON**]) is selected, a pass code input screen appears. Enter the pass code to receive the channel.

- To store a channel: You can store up to 18 channels. (→ **5**)
- To select a stored channel: Press one of the number buttons (**1** to **6**).
(or)
 - Press **MENU**.
 - Turn the volume knob to select **PRESET**, then press the knob.
 - Turn the volume knob to select a preset number, then press the knob.
 (or)
 Press / on RM-RK52.

Replay

- Press the volume knob.
- Press again the volume knob to start Replay.
Replay starts from the live position and "" lights up.

During Replay...

- To pause or resume playback, press the volume knob.
- To skip the current song backward/forward, press / .
- To rewind/fast-forward, press and hold / .
- To exit from Replay and go to live, press .

Other settings

- Press and hold **MENU**.
- Turn the volume knob to select [**SIRIUS XM**], then press the knob.
- Turn the volume knob to make a selection (see table on the right), then press the knob.
- Press **MENU** to exit.

CH LOCK

To unlock settings:

- Turn the volume knob to select a number.
- Press / to move to the entry position.
- Repeat steps **1** and **2** to enter the current pass code. (Initial pass code is 0000.)
- Press the volume knob to confirm.

CODE SET

- Turn the volume knob to select a number.
 - Press / to move to the entry position.
 - Repeat steps **1** and **2** to enter a new 4-digit pass code.
 - Press the volume knob to confirm.
 - Repeat steps **1** to **4** to reconfirm the new pass code.
- Make a note of the new pass code to enter channel lock settings from next time.

CH EDIT *

- Turn the volume knob to select a category, then press the knob.
- Turn the volume knob to select a channel you want to lock, then press the knob.
"L" appears in front of the channel number.
- Press to exit.

CH CLEAR *

YES: Clears all the locked channels. ; **NO:** Cancels.

MATURE CH

ON: Turns on the Sirius XM-defined lock setting (mature channel). ;
OFF: Turns off.
 • If [**ON**] is selected, your setting (**CH EDIT**) is temporary ignored.

SIGNAL LVL

NO SIGNAL/ WEAK/ GOOD/ STRONG: Shows the strength of the current received signal.

BUF USAGE

0% — 100% (0): Shows the memory usage for Replay buffer.

* Displayed only when [**MATURE CH**] is set to [**OFF**].

AUDIO SETTINGS

To	Do this
Select a preset equalizer	Press EQ repeatedly. FLAT (default), NATURAL, DYNAMIC, VOCAL BOOST, BASS BOOST, USER
Store your own sound settings	<ol style="list-style-type: none"> Press and hold EQ. Turn the volume knob to make a selection, then press the knob. SUB.W *1: -08 to +08 Default: (00) BASS LVL: -06 to +06 (00) MID LVL: -06 to +06 (00) TRE LVL: -06 to +06 (00) <ul style="list-style-type: none"> The setting is stored to [USER] in EQ. To return to the previous item, press ↶. To exit, press EQ.

*1 Displayed only when [L/O MODE] is set to [SUB.W] and [SUB.W] is set to [ON].

Other settings

- Press and hold **MENU**.
- Turn the volume knob to select [PRO EQ] or [AUDIO], then press the knob.
- Turn the volume knob to make a selection (see the table below), then press the knob.
Repeat step 3 until the desired item is selected.
- Press **MENU** to exit.

PRO EQ	1 BASS / MIDDLE / TREBLE: Select a sound tone.
	2 Adjust the sound elements of the selected sound tone.
BASS	Frequency: 60/ 80/ 100/ 200 Hz Default: (80 Hz) Level: -06 to +06 (00) Q: Q1.0/ Q1.25/ Q1.5/ Q2.0 (Q1.0)
MIDDLE	Frequency: 0.5/ 1.0/ 1.5/ 2.5 kHz Default: (1.0 kHz) Level: -06 to +06 (00) Q: Q0.75/ Q1.0/ Q1.25 (Q1.25)
TREBLE	Frequency: 10.0/ 12.5/ 15.0/ 17.5 kHz Default: (10.0 kHz) Level: -06 to +06 (00) Q: Q FIX (Q FIX)

The setting is stored to [USER] in EQ.

Default: **XX**

AUDIO

FADER *2*3	R06 — F06 (00) : Adjusts the front and rear speaker output balance.
BALANCE *3	L06 — R06 (00) : Adjusts the left and right speaker output balance.
BASS BOOST	+01 / +02 : Selects your preferred bass boost level. ; OFF : Cancels.
LOUD	LOW / HIGH : Boosts low or high frequencies to produce a well-balanced sound at low volume. ; OFF : Cancels.
VOL ADJUST	-05 — +05 (00) : Presets the volume adjustment level of each source (compared to the FM volume level). Before adjustment, select the source you want to adjust. ("VOL ADJ FIX" appears if FM is selected.)
L/O MODE	SUB.W / REAR : Selects whether rear speakers or a subwoofer are connected to the REAR/SW line out terminals on the rear panel (through an external amplifier).
SUB.W *4	ON / OFF : Turns on or off the subwoofer output.
SUB.W LPF *5	THROUGH : All signals are sent to the subwoofer. ; LOW 55Hz / MID 85Hz / HIGH 120Hz : Audio signals with frequencies lower than 55 Hz/ 85 Hz/ 120 Hz are sent to the subwoofer.
SUB.W LEVEL *5	-08 — +08 (00) : Adjusts the subwoofer output level.
BEEP	ON / OFF : Activates or deactivates the keypress tone.
TEL MUTING *6	ON : Mutes the sounds while using the cellular phone (not connected through KS-BTA100). ; OFF : Cancels.
AMP GAIN	LOW POWER : Limits the maximum volume level to 30. (Select if the maximum power of each speaker is less than 50 W to prevent damaging the speakers.) ; HIGH POWER : The maximum volume level is 50.

*2 If you are using a two-speaker system, set the fader level to [00].

*3 This adjustment will not affect the subwoofer output.

*4 Displayed only when [L/O MODE] is set to [SUB.W].

*5 Displayed only when [SUB.W] is set to [ON].

*6 Does not work if [BT ADAPTER] is selected for [AUX] in [SRC SELECT].

MORE INFORMATION

About discs and audio files

- This unit can only play the following CDs:



- This unit can play back multi-session discs; however, unclosed sessions will be skipped during playback.
- Unplayable discs:**
 - Discs that are not round.
 - Discs with coloring on the recording surface or discs that are dirty.
 - Recordable/ReWritable discs that have not been finalized.
 - 8 cm CD. Attempting to insert using an adapter may cause malfunction.
- DualDisc playback:** The Non-DVD side of a "DualDisc" does not comply with the "Compact Disc Digital Audio" standard. Therefore, the use of Non-DVD side of a DualDisc on this product cannot be recommended.
- Playable files:**
 - File extensions: MP3 (.mp3), WMA (.wma)
 - Bit rate: MP3: 8 kbps — 320 kbps
WMA: 32 kbps — 192 kbps
 - Sampling frequency:
 - MP3: 48 kHz, 44.1 kHz, 32 kHz, 24 kHz, 22.05 kHz, 16 kHz, 12 kHz, 11.025 kHz, 8 kHz
 - WMA: 48 kHz, 44.1 kHz, 32 kHz
 - Variable bit rate (VBR) files.
- Maximum number of characters for file/folder name:** It depends on the disc format used (includes 4 extension characters—<.mp3> or <.wma>).
 - ISO 9660 Level 1 and 2: 64 characters
 - Romeo: 64 characters
 - Joliet: 32 characters
 - Windows long file name: 64 characters

About USB devices

- This unit can play MP3/WMA files stored on a USB mass storage class device.
- You cannot connect a USB device via a USB hub and Multi Card Reader.
- Connecting a cable whose total length is longer than 5 m may result in abnormal playback.
- The maximum number of characters for:
 - Folder names: 63 characters
 - File names: 63 characters
 - MP3 Tag: 60 characters
 - WMA Tag: 60 characters
- This unit can recognize a total of 65 025 files, 255 folders (255 files per folder including folder without unsupported files), and of 8 hierarchies.
- This unit cannot recognize a USB device whose rating is other than 5 V and exceeds 1 A.

About iPod/iPhone

- Made for
 - iPod touch (1st, 2nd, 3rd, and 4th generation)
 - iPod classic
 - iPod with video (5th generation)*
 - iPod nano (1st, 2nd, 3rd, 4th, 5th and 6th generation)
 - iPhone, iPhone 3G, 3GS, 4, 4S
- * **[IPOD MODE]/ [EXT MODE]** are not applicable.
- It is not possible to browse video files on the "Videos" menu in **[HEAD MODE]**.
- The song order displayed on the selection menu of this unit may differ from that of the iPod/iPhone.
- If some operations are not performed correctly or as intended, visit: <<http://www3.jvckenwood.com/english/car/index.html>> (English website only).

About "JVC Playlist Creator" and "JVC Music Control"

- This unit supports the PC application "JVC Playlist Creator" and Android™ application "JVC Music Control."
- When you use an audio file with database added using the "JVC Playlist Creator" or "JVC Music Control," you can search for a file by title, album or artist name using Music Search.
- "JVC Playlist Creator" and "JVC Music Control" are available from the following web site:
 - <<http://www3.jvckenwood.com/english/car/index.html>> (English website only).

Display information

FM or AM	Station name (PS)*1 → Frequency → Program type (PTY)*1 → Title*1*2 → Day/Clock → (back to the beginning)
CD or USB	Album title/Artist*3 → Track title*3 → Track no./Playing time → Day/Clock → (back to the beginning)
USB-IPOD	[HEAD MODE] or [IPOD MODE] : Album title/Artist*3 → Track title*3 → Track no./Playing time → Day/Clock → (back to the beginning) [EXT MODE] : EXT MODE ↔ Day/Clock
PANDORA	Station name → Album title/Artist → Track title → Playing time → Day/Clock → (back to the beginning)
SiriusXM	Channel no./Channel name → Artist → Song title → Content information → Category name → Day/Clock → (back to the beginning)
AUX	AUX ↔ Day/Clock
BT AUDIO	BT AUDIO ↔ Day/Clock

*1 For FM Radio Broadcast Data System stations only.

*2 **KD-A645 / KD-R640** only: Title information shown is dependent on the broadcast station. If unavailable, "NO TEXT" appears.

*3 "NO NAME" appears for conventional CDs or if not recorded.

TROUBLESHOOTING

Symptom	Remedy
Sound cannot be heard.	<ul style="list-style-type: none"> Adjust the volume to the optimum level. Check the cords and connections. Be sure the rear ground terminal connected to the car's chassis are using shorter and thicker cords.
"MISWIRING CHK WIRING THEN RESET UNIT" / "WARNING CHK WIRING THEN RESET UNIT" appears and no operations can be done.	Check to be sure the terminals of the speaker wires are insulated properly, then reset the unit. If this does not solve the problem, consult your nearest service center.
Source cannot be selected.	Check the [SRC SELECT] setting. (→ 4)
Radio reception is poor. / Static noise while listening to the radio.	<ul style="list-style-type: none"> Connect the antenna firmly. Pull the antenna out all the way.
Correct characters are not displayed.	This unit can only display uppercase letters, numbers, and a limited number of symbols.
"PLEASE" and "EJECT" appear alternately.	Press ▲, then insert the disc correctly.
"IN DISC" appears.	Make sure nothing is blocking the loading slot when you eject the disc.
Disc cannot be ejected.	Press and hold ▲ to forcibly eject the disc. Be careful not to drop the disc when it is ejected.
Playback order is not as intended.	The playback order is determined by the file name (USB) or the order in which files were recorded (disc).
Elapsed playing time is not correct.	This depends on the recording process earlier.
"NOT SUPPORT" appears and track skips.	Check whether the track is a playable format. (→ 11)
"CANNOT PLAY" flashes and/or connected device cannot be detected.	<ul style="list-style-type: none"> Check whether the connected device is compatible with this unit and ensure the files are in supported formats. (→ 11) Reattach the device.
"READING" keeps flashing.	<ul style="list-style-type: none"> Do not use too many hierarchical levels and folders. Reload the disc or reattach the USB device.

Symptom	Remedy	
The iPod/iPhone does not turn on or does not work.	<ul style="list-style-type: none"> Check the connection between this unit and iPod/iPhone. Detach and reset the iPod/iPhone using hard reset. Check whether the [IPOD SWITCH] setting is appropriate. (→ 4) 	
Pandora®	"ADD ERROR" / "SEARCH ERR"	New station creation is unsuccessful.
	"CHK DEVICE"	Check the Pandora® application on your device.
	"NO SKIPS"	The skip limit has been reached.
	"NO STATIONS"	No registered station is found.
	"STATION LIM"	The number of registered stations has reached its limit. Retry after deleting an unnecessary station in your device.
SiriusXM™	"UPGRADE APP"	Make sure you have installed the latest version of the Pandora® application on your device.
	"CH LOCKED"	The selected channel is locked. Enter the correct pass code to unlock. (→ 9)
	"CHAN UNSUB"	The selected channel is unsubscribed. Call 1-866-635-2349 to subscribe.
	"CHAN UNAVAIL"	The selected channel is unavailable.
	"CHK ANTENNA"	Check the antenna and its connection are in good condition.
	"CHECK TUNER"	Make sure the SiriusXM Connect Vehicle Tuner is connected to the unit.
	"NO SIGNAL"	Make sure the antenna is mounted outside the vehicle.
"SUBSCRIPTN UPDATED – ENTER TO CONTINUE."	Your subscription is updated. Press the volume knob to continue.	
"WRONG CODE"	Make sure you have entered the correct pass code. (→ 9)	

If you have any troubles, try the following:

1 Check TROUBLESHOOTING

2 Reset the unit (→ 3)

3 Contact (USA only)

Call: 1-800-252-5722 (or) visit: <http://www.jvc.com>

SPECIFICATIONS

Audio amplifier	Power Output	20 W RMS × 4 Channels at 4 Ω and ≤ 1% THD+N
	Load Impedance	4 Ω (4 Ω to 8 Ω allowance)
	Frequency Response	40 Hz to 20 000 Hz
	Signal-to-Noise Ratio	80 dBA (reference: 1 W into 4 Ω)
	Line-Out, Subwoofer-Out Level/Impedance	2.5 V/10 kΩ load (full scale)
	Output Impedance	≤ 600 Ω
Tuner	FM Frequency Range	87.9 MHz to 107.9 MHz (200 kHz step)
		87.5 MHz to 108.0 MHz (50 kHz step)
	Usable Sensitivity	9.3 dBf (0.8 μV/75 Ω)
	50 dB Quieting Sensitivity	16.3 dBf (1.8 μV/75 Ω)
	Alternate Channel Selectivity	65 dB (at 400 kHz)
	Frequency Response	40 Hz to 15 000 Hz
	Stereo Separation	40 dB
	AM Frequency Range	530 kHz to 1 700 kHz (10 kHz step)
		531 kHz to 1 611 kHz (9 kHz step)
	Sensitivity/Selectivity	20 μV/40 dB
CD player	Signal Detection System	Non-contact optical pickup (semiconductor laser)
	Number of Channels	2 channels (stereo)
	Frequency Response	5 Hz to 20 000 Hz
	Signal-to-Noise Ratio	98 dB
	Wow and Flutter	Below measurable limit



USB	USB Standard	USB 1.1, USB 2.0	
	Data Transfer Rate (Full Speed)	Max. 12 Mbps	
	Compatible Devices	Mass storage class	
	Compatible File Systems	FAT 32/16/12	
	Playable Audio Formats	MP3/WMA	
Maximum Supply Current	DC 5 V = 1 A		
General	Power Requirements (Operating Voltage)	DC 14.4 V (11 V to 16 V allowance)	
	Grounding System	Negative ground	
	Allowable Operating Temperature	0°C to +40°C (32°F to 104°F)	
	Dimensions (W × H × D)	Installation Size (approx.)	182 mm × 53 mm × 159 mm (7-3/16" × 2-1/8" × 6-5/16")
		Panel Size (approx.)	KD-A645 / KD-R640: 188 mm × 59 mm × 10 mm (7-7/16" × 2-3/8" × 7/16") KD-R540 / KD-R440: 188 mm × 59 mm × 13 mm (7-7/16" × 2-3/8" × 9/16")
	Weight (excluding accessories)	1.2 kg (2.6 lbs)	

Subject to change without notice.

⚠ Warning

- The unit can only be used with a 12 V DC power supply, negative ground.
- Disconnect the battery's negative terminal before wiring and mounting.
- Do not connect Battery wire (yellow) and Ignition wire (red) to the car chassis or Ground wire (black) to prevent a short circuit.
- Insulate unconnected wires with vinyl tape to prevent a short circuit.
- Be sure to ground this unit to the car's chassis again after installation.

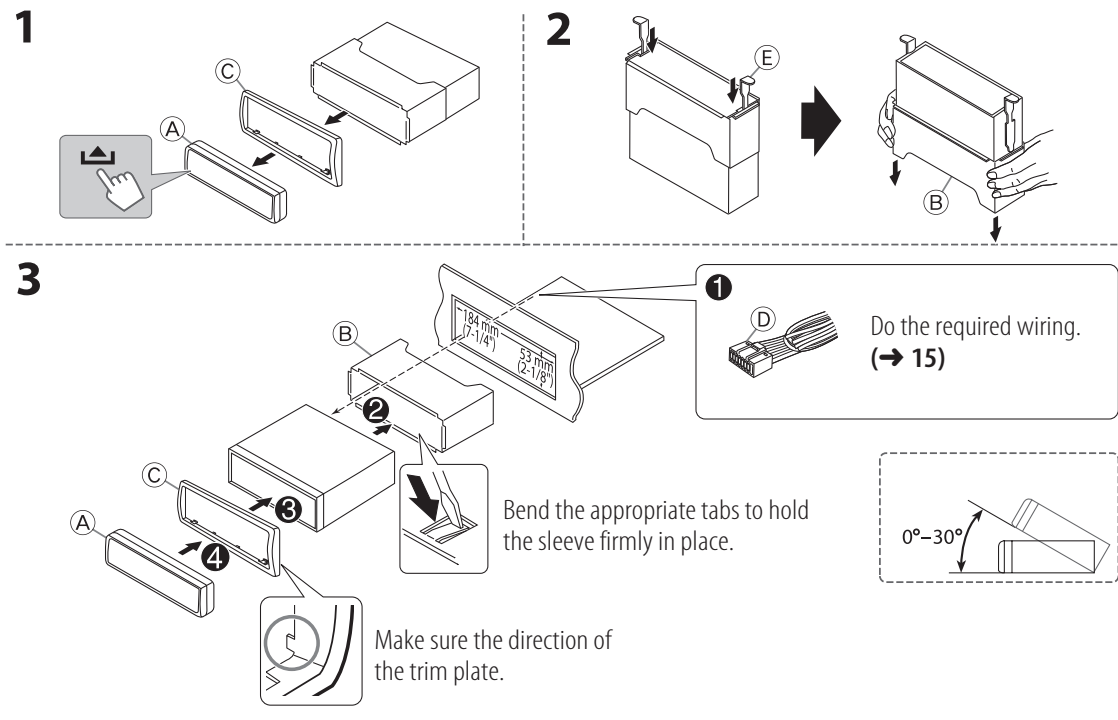
⚠ Caution

- For safety's sake, leave wiring and mounting to professionals. Consult the car audio dealer.
- Install this unit in the console of your vehicle. Do not touch the metal parts of this unit during and shortly after use of the unit. Metal parts such as the heat sink and enclosure become hot.
- Do not connect the \ominus wires of speaker to the car chassis, Ground wire (black), or in parallel.
- Connect speakers with a maximum power of more than 50 W. If the maximum power of the speakers is lower than 50 W, change the **[AMP GAIN]** setting to avoid damaging the speakers. (→ 10)
- Mount the unit with the angle of 30° or less.
- If your vehicle wiring harness does not have the ignition terminal, connect Ignition wire (red) to the terminal on the vehicle's fuse box which provides 12 V DC power supply and is turned on and off by the ignition key.
- After the unit is installed, check whether the brake lamps, blinkers, wipers, etc. on the car are working properly.
- If the fuse blows, first make sure the wires are not touching car's chassis, then replace the old fuse with one that has the same rating.

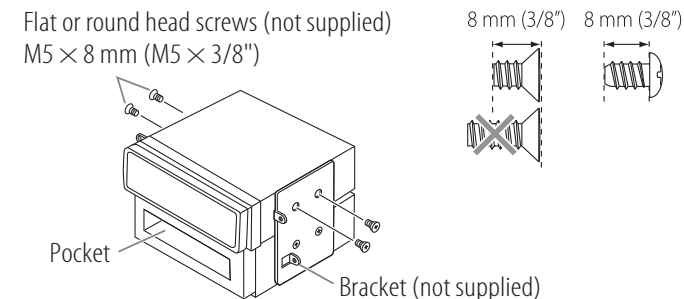
Basic procedure

- 1 Remove the key from the ignition switch, then disconnect the \ominus terminal of the car battery.
- 2 Connect the wires properly.
See Wiring connection. (→ 15)
- 3 Install the unit to your car.
See Installing the unit (in-dash mounting).
- 4 Connect the \ominus terminal of the car battery.
- 5 Reset the unit. (→ 3)

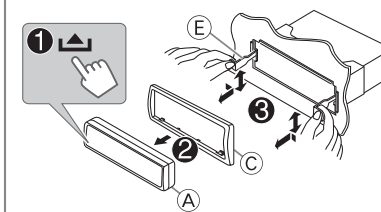
Installing the unit (in-dash mounting)



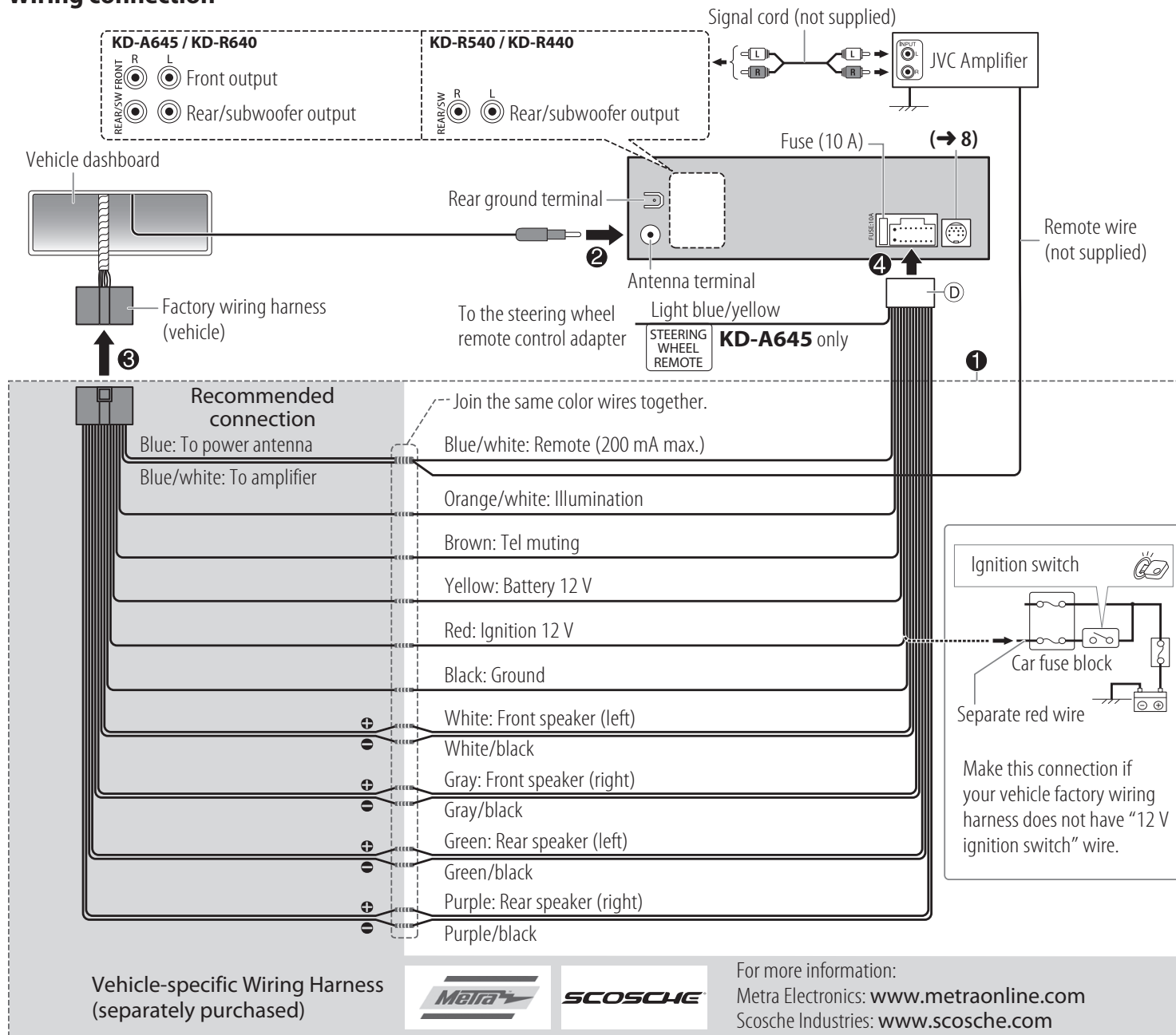
When installing without the mounting sleeve



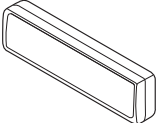
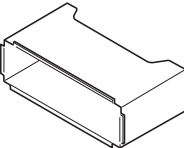
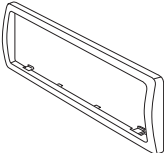
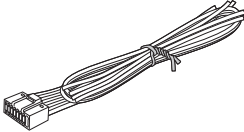

How to remove the unit



Wiring connection



Part list for installation

- (A) Faceplate  (×1)
- (B) Mounting sleeve  (×1)
- (C) Trim plate  (×1)
- (D) Wiring harness  (×1)
- (E) Extraction key  (×2)

CAUTION

Use of controls or adjustments or performance of procedures other than those specified herein may result in hazardous radiation exposure.

In compliance with Federal Regulations, following are reproductions of labels on, or inside the product relating to laser product safety.

JVC KENWOOD Corporation
2967-3, ISHIKAWA-MACHI,
HACHIOJI-SHI, TOKYO, JAPAN

THIS PRODUCT COMPLIES WITH DHHS RULES 21CFR
SUBCHAPTER J IN EFFECT AT DATE OF MANUFACTURE.

Location : Bottom Plate

FCC WARNING

This equipment may generate or use radio frequency energy. Changes or modifications to this equipment may cause harmful interference unless the modifications are expressly approved in the instruction manual. The user could lose the authority to operate this equipment if an unauthorized change or modification is made.

FCC NOTE

This equipment has been tested and found to comply with the limits for a Class B digital device, pursuant to Part 15 of the FCC Rules. These limits are designed to provide reasonable protection against harmful interference in a residential installation. This equipment generates, uses, and can radiate radio frequency energy and, if not installed and used in accordance with the instructions, may cause harmful interference to radio communications. However, there is no guarantee that interference will not occur in a particular installation. If this equipment does cause harmful interference to radio or television reception, which can be determined by turning the equipment off and on, the user is encouraged to try to correct the interference by one or more of the following measures:

- Reorient or relocate the receiving antenna.
- Increase the separation between the equipment and receiver.
- Connect the equipment into an outlet on a circuit different from that to which the receiver is connected.
- Consult the dealer or an experienced radio/TV technician for help.

- Microsoft and Windows Media are either registered trademarks or trademarks of Microsoft Corporation in the United States and/or other countries.
- "Made for iPod," and "Made for iPhone" mean that an electronic accessory has been designed to connect specifically to iPod, or iPhone, respectively, and has been certified by the developer to meet Apple performance standards. Apple is not responsible for the operation of this device or its compliance with safety and regulatory standards. Please note that the use of this accessory with iPod, or iPhone may affect wireless performance.
- iPhone, iPod, iPod classic, iPod nano, and iPod touch are trademarks of Apple Inc., registered in the U.S. and other countries.
- Pandora, the Pandora logo, and the Pandora trade dress are trademarks or registered trademarks of Pandora Media, Inc., used with permission.
- Sirius, XM and all related marks and logos are trademarks of Sirius XM Radio Inc. All rights reserved.
- Android is trademark of Google Inc.

Información acerca de la eliminación de equipos eléctricos y electrónicos al final de la vida útil (aplicable a los países que hayan adoptado sistemas independientes de recogida de residuos)

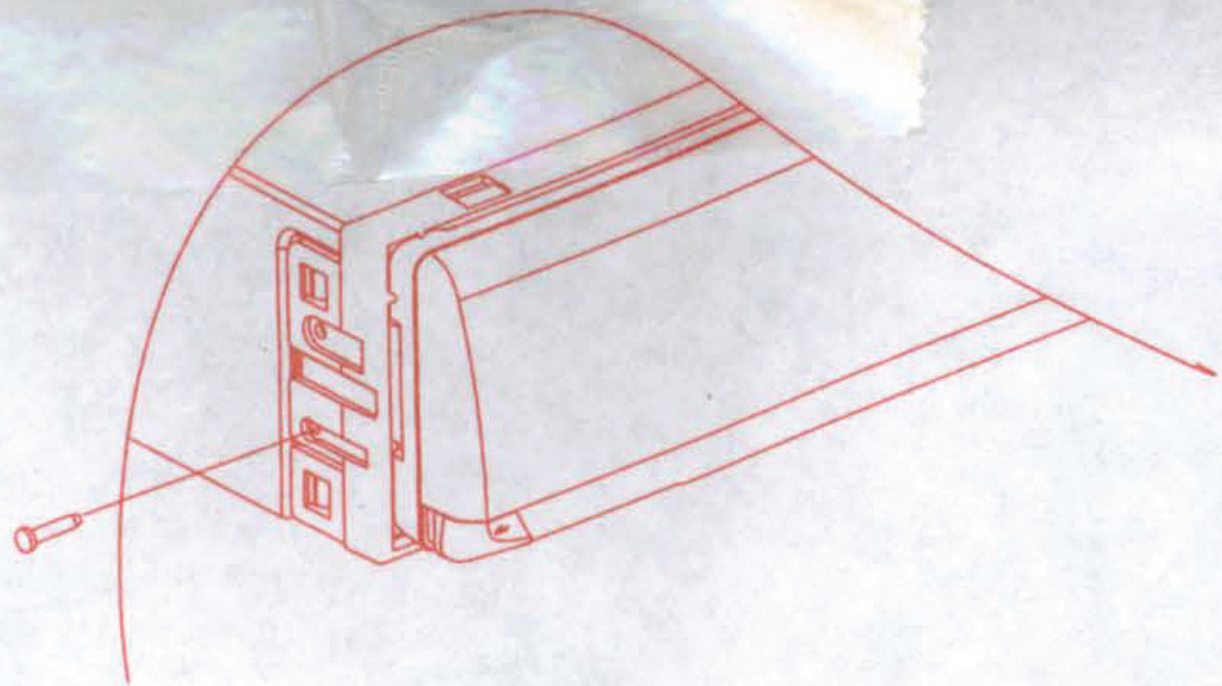
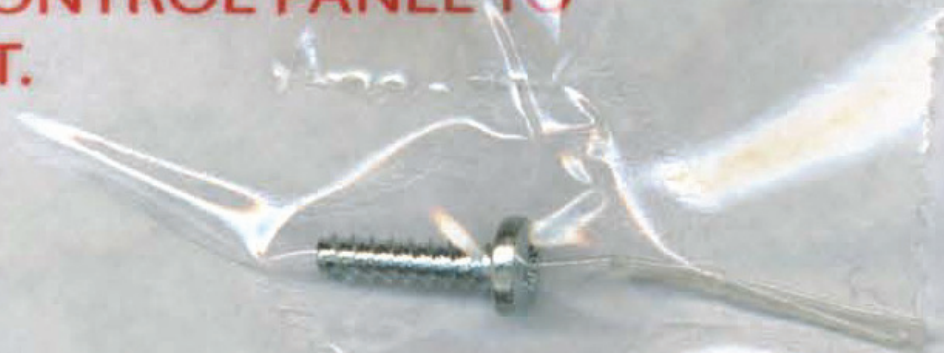
Los productos con el símbolo de un contenedor con ruedas tachado no podrán ser desechados como residuos domésticos. Los equipos eléctricos y electrónicos al final de la vida útil, deberán ser reciclados en instalaciones que puedan dar el tratamiento adecuado a estos productos y a sus subproductos residuales correspondientes. Póngase en contacto con su administración local para obtener información sobre el punto de recogida más cercano. Un tratamiento correcto del reciclaje y la eliminación de residuos ayuda a conservar los recursos y evita al mismo tiempo efectos perjudiciales en la salud y el medio ambiente.



Information on Disposal of Old Electrical and Electronic Equipment (applicable for countries that have adopted separate waste collection systems)

Products with the symbol (crossed-out wheeled bin) cannot be disposed as household waste. Old electrical and electronic equipment should be recycled at a facility capable of handling these items and their waste byproducts. Contact your local authority for details in locating a recycle facility nearest to you. Proper recycling and waste disposal will help conserve resources whilst preventing detrimental effects on our health and the environment.

WHEN IT IS NOT REQUIRED
TO DETACH THE FRONT CONTROL
PANEL FROM THE MAIN UNIT,
USE THE PROVIDED SCREW TO
ATTACH THE CONTROL PANEL TO
THE MAIN UNIT.



GE40401-001A

REMOVE THIS LABEL FROM CABLE BEFORE USE.

RETIRE LA ÉTIQUETA DEL CABLE ELÉCTRICO ANTES DE USAR.

RETIREZ CETTE ÉTIQUETTE DU CÂBLE AVANT UTILISATION.



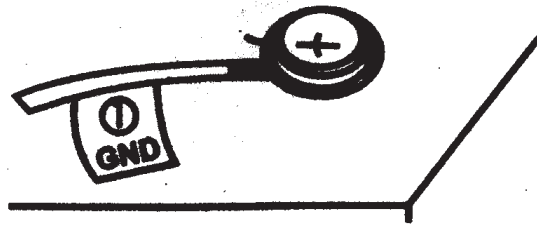
CAUTION

CONNECT BLACK WIRE (① GND) TO GROUND FIRST. OTHERWISE, DAMAGE TO YOUR UNIT MAY OCCUR.

INCORRECT CONNECTION CAUSES SERIOUS DAMAGE TO THIS UNIT
PLEASE READ INSTALLATION/CONNECTION MANUAL CAREFULLY.

①

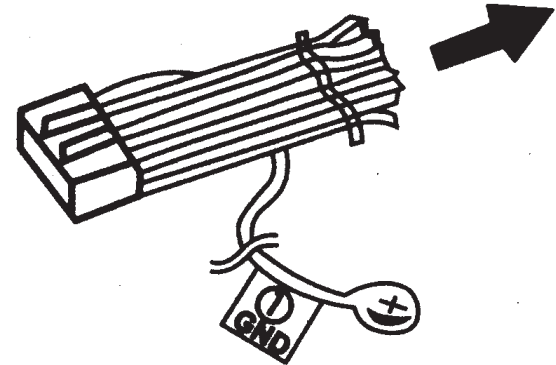
CONNECT GROUND FIRST



METALLIC BODY OR CHASSIS
OF THE CAR

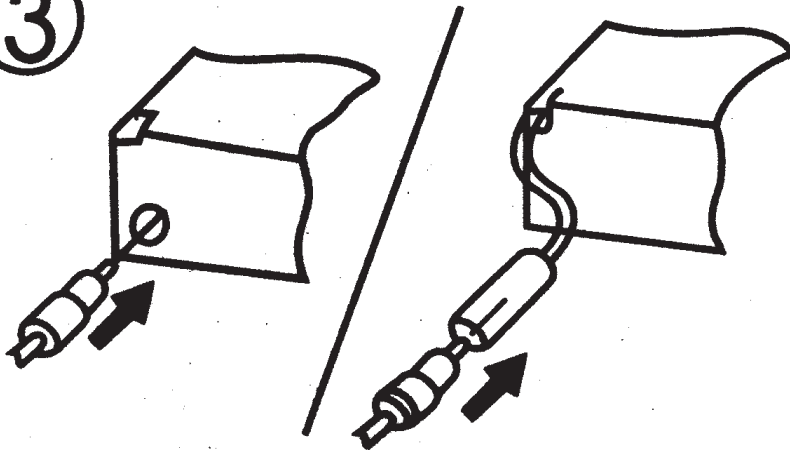
②

CONNECT OTHER WIRES



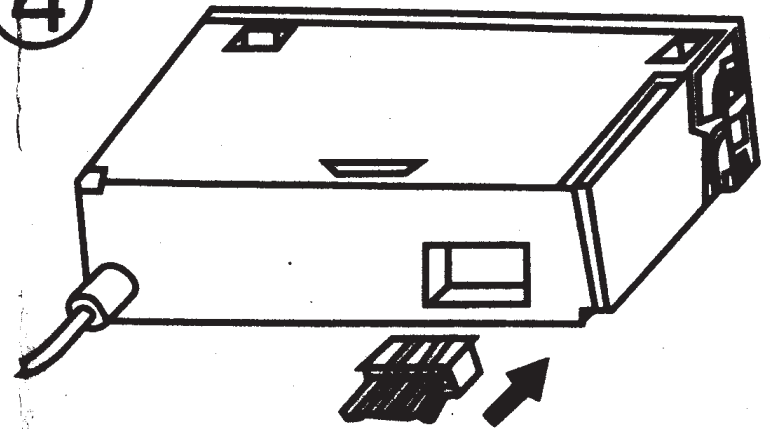
③

CONNECT ANTENNA TERMINAL



④

CONNECT POWER CORD TO
THE UNIT



CANADA
ONLY

JVC

CANADA
SEULEMENT

OWNER'S COPY OF WARRANTY CARD COPIE D'ENREGISTREMENT DE LA GARANTIE DU PROPRIÉTAIRE

(Save sales docket together with this warranty card, as a proof of date of purchase.
La facture et cette garantie sont vos preuves de la date d'achat; rangez-les.)

MODEL : SERIAL NO. :
MODÈLE : NO DE SÉRIE :

Purchase from. Date purchased .
Acheté chez : Date acheté :

Dealer's Address
Adresse du Vendeur :

No. Street
No Rue

City or Town Prov. Postal Code
Ville Prov. Code Postal

Owner's Name
Nom du Propriétaire :

Owner's Address
Adresse du Propriétaire :

No. Street Apt.
No Rue App.

City or Town Prov. Postal Code
Ville Prov. Code Postal

BT-52008-1
(1007)

Detach here.

à découper ici

Printed in Indonesia

WARRANTY CONTROL CARD CARTE DE CONTRÔLE DE LA GARANTIE

IMPORTANT: This warranty control card must be filled in and posted to the address indicated on the back hereof or register via internet within 7 (seven) days from the date of purchase.

IMPORTANT: Cette carte doit être renvoyée dûment remplie à l'adresse indiquée au verso, dans les 7 jours de la date d'achat ou aller sur le site par internet pour l'enregistrement.

(PLEASE PRINT/EN LETTRES MOULÉES)

MODEL : SERIAL NO. :
MODÈLE : NO DE SÉRIE :

Purchased from. Date purchased .
Acheté chez : Date acheté :

Dealer's Address
Adresse du Vendeur :

No. Street
No Rue

City or Town Prov. Postal Code
Ville Prov. Code Postal

Owner's Name
Nom du Propriétaire :

Owner's Address
Adresse du Propriétaire :

No. Street Apt.
No Rue App.

City or Town Prov. Postal Code
Ville Prov. Code Postal

You may also register on-line
at: www.jvc.ca

Vous pouvez également vous
inscrire par internet à: www.jvc.ca

WARRANTY APPLIES ONLY TO PRODUCT
DISTRIBUTED IN CANADA BY JVC CANADA INC.

LA GARANTIE S'APPLIQUE SEULEMENT AUX PRODUITS
DISTRIBUÉS AU CANADA PAR JVC CANADA INC.

Warranty applies only
to PRODUCT distributed
in Canada by JVC Canada
Inc.

JVC

La garantie s'applique
seulement aux PRODUITS
distribués au Canada par
JVC Canada Inc.

WARRANTY GARANTIE

JVC CANADA INC.

21 Finchdene Square, Toronto, ON M1X 1A7

TEL: (416) 293-1311 FAX: (416) 293-8208

<http://www.jvc.ca>

JVC CANADA INC. (hereafter called "JVC") gives the following express warranty for each new JVC product distributed in Canada by JVC and sold by an authorized JVC dealer.

JVC warrants that this JVC product is free, under normal use and maintenance, from any defects in material and workmanship subject to the following terms and conditions:

1. To Obtain Warranty Service:

- The JVC Warranty Control Card herein provided must be completed in full and posted or registered via internet within 7 days of date of purchase of the JVC product.
- This JVC Warranty Control Card must be completed in full and presented together with proof of purchase of the JVC product requiring service.
- The JVC product must be brought in for service to an authorized JVC Service Centre.

2. Limitation:

This Warranty shall not apply to:

- Repair or replacement of any cabinets, batteries, plates, connection cords, antennas, dust covers, knobs, speaker grills, speaker cones, projection screens, projection screen savers, and all accessories.
- Any defects caused or repairs required as a result of misuse, abusive operation, negligence, improper use and/or insufficient care.
- Any defect caused or repairs required as a result of not following the instructions in the operation manual.
- Any JVC product tampered with, adjusted or repaired by any party other than JVC or authorized JVC Service Centre personnel.

JVC CANADA INC. (ci-après appelé "JVC") énonce la garantie expresse suivante pour tout nouveau produit JVC distribué au Canada par JVC et vendu par un détaillant JVC autorisé.

JVC vous garantit que ce produit est dégage, sous utilisation et entretien normal, de tout défaut matériel et de fabrication sous réserve des modalités et conditions suivantes :

1. Pour obtenir un service de garantie :

- La carte de contrôle de garantie JVC ci-incluse doit être complétée avec les renseignements complets et être postée ou enregistrée via internet dans les 7 jours suivant l'achat du produit JVC.
- Cette carte de contrôle de garantie JVC doit être dûment remplie et être présentée avec la preuve d'achat du produit JVC nécessitant une réparation.
- Le produit JVC doit être apporté pour service chez un centre de service JVC autorisé.

2. Restrictions:

Cette garantie ne s'applique pas aux :

- Réparation ou remplacement de tout cabinet, batteries, panneau avant, cordons de raccord, antennes, housses de protection, boutons, couverts de haut-parleur, cônes de haut-parleur, écrans de projection, protecteurs d'écran de projection et tous les accessoires.
- Tous défauts occasionnés ou réparations requises suite à une utilisation abusive, mauvaise, négligente et/ou une utilisation incorrecte.
- Tous défauts occasionnés ou réparations requises suite à l'omission de suivre les recommandations du manuel d'instruction.
- Tout produit JVC altéré, ajusté ou réparé par tout autre entreprise que JVC ou un centre de service d'entretien ou de service autorisé JVC.

- (e) Any JVC products on which the serial number has been defaced, modified or removed.
- (f) Maintenance, cleaning or periodic check-up
- (g) Conversion to foreign or domestic voltage or frequency.
- (h) Any JVC product without the Canadian Electrical Safety Regulations ID.
- (i) Any JVC products used for commercial or institutional, rental, or display purposes.
Parts.....1 year (except video head - 90 days)
Labour... 90 days
- (j) Any JVC product which has been resold and no longer owned by the original purchaser.
- (k) Product purchased from "outside Canada", "bankruptcy" or "liquidator".

- (e) Tout produit JVC dont le numéro de série a été altéré, modifié ou enlevé.
- (f) L'entretien, les vérifications périodiques et nettoyage.
- (g) La conversion à une fréquence ou une tension étrangère ou domestique.
- (h) Tout produit JVC n'ayant pas le sigle d'identification conforme aux normes électriques Canadiennes (CSA).
- (i) Pour tout produit utilisé à des fins commerciales, institutionnelles, de location ou utilisé à des fins d'étalage.
Pièces..... 1 An (Excepté les têtes vidéo- 90 jours)
Main d'œuvre... 90 Jours
- (j) Tout produit JVC ayant été revendu et qui n'est plus la propriété de l'acheteur original.
- (k) Produit acheté à "l'extérieur du Canada", provenant d'une "faillite" ou d'un "liquidateur".

**WARRANTY TERM (VALID FROM THE DATE OF PURCHASE)
CONDITIONS DE GARANTIE (VALABLE à PARTIR DE LA DATE D'ACHAT)**

PRODUCT PRODUIT	PARTS (Years) PIECES (années)	Labour (Years) MAIN-D'OEUVRE (années)
Projection TV In-Home Service Colour TV In-Home (25" and above) D-ILA Rear Projection In-Home Service LCD TV In-Home Service (25" and above) Écrans de projection Service à Domicile Écrans de TV Couleur Service à Domicile (25" et plus) TV projection arrière D-ILA Service à Domicile Écrans de LCD Service à Domicile (25" et plus)	1	1
<p>* In-home service to be provided where available Where it is not available, the Purchaser must assume the responsibility and expense for the proper packing, shipment and all costs associated with the delivery of the equipment to and from the closest JVC Authorized Service Centre. * Service à domicile fourni par un détaillant disponible. S'il n'y a pas de service JVC disponible à proximité, l'acheteur doit assumer la responsabilité et les coûts pour un emballage adéquat, l'expédition, ainsi que tous les coûts associés à la livraison de l'équipement chez et depuis le détaillant JVC autorisé le plus près pour un service d'entretien.</p>		
Receivers and Home Speakers purchased separately, Front Projection and Car Audio "ARSENAL" Series Récepteurs et Hauts-Parleurs achetés séparément, Projecteur Avant et Audio d'Auto de Série « ARSENAL »	2	2
AC Adapters, Remote Controls, Headphones, Microphones and Projector Lamps Adaptateurs AC, Télécommande, Casque D'écoute, Microphones et Lampe de Projecteur	90 DAYS 90 JOURS	90 DAYS 90 JOURS
Wood Cone Speakers Enceinte à Cône en Bois	5	5
All Other Categories Toutes les autres catégories	1	1

- (l) Any defects caused by fire, flood, lightning, power surge, or other events beyond the control of JVC.
- (m) FOR AUTO PRODUCTS
Warranty does not cover elimination of car static or electrical interferences, cleaning of head, adjustments, or labour cost for the removal or reinstallation of the unit for repair.

3. Standards:

If any defects should be found in a JVC product within the applicable terms, necessary repairs shall be made at no cost to the purchaser for parts or labour when JVC acknowledges that such defects are due to faulty material or workmanship.

4. Exclusion of All Other Express Warranties:

This warranty constitutes the entire express warranty given by JVC for JVC products and no dealer or service centre personnel or his, its or their agent or employee is, or are authorized to extend or enlarge this warranty on behalf of JVC.

5. Disclaimer of Consequential Damage:

To the extent the law permits JVC disclaims any responsibility for loss of time or use of its product, transportation costs, or any other indirect, incidental or consequential damage or inconvenience.

And mail to the address below.
New You may also register on-line at: www.jvc.ca

Detach here.

- (l) Tout dommage causé par le feu, une inondation, un éclair, une surtension ou tout autre événement hors du contrôle de JVC.
- (m) POUR LES PRODUITS D'AUTOMOBILE
La garantie ne couvre pas l'élimination d'interférences statiques ou électriques de la voiture, le nettoyage de tête, les ajustements et les coûts de main d'œuvre associés à l'enlèvement ou à la réinstallation de l'unité pour réparation.

3. Critères:

Si un produit JVC s'avérait défectueux, selon les conditions applicables, les réparations nécessaires seront effectués sans coûts additionnels à l'acheteur pour les pièces et la main d'œuvre lorsque JVC reconnaît que de telles déficiences sont causées par une défectuosité de matériel ou de fabrication.

4. Exclusion de toutes autres garanties expresses :

Cette garantie constitue l'entière garantie express donnée par JVC pour les produits JVC. Nul représentant ou employé d'un détaillant ou d'un service d'entretien n'est autorisé à prolonger cette garantie au nom de JVC.

5. Dénégation des dommages indirects :

Dans la mesure permise par la loi, JVC nie toute responsabilité pour perte de temps ou d'usage de ses produits, des coûts de transport ou tout autre dommage ou inconfort indirect, accidentel et consécutif.

Veillez poster à l'adresse ci-dessous.
Nouveau Vous pouvez également vous enregistrer par internet à: www.jvc.ca

à découper ici

Place stamp here
Placez votre timbre ici

JVC CANADA INC.

21 Finchdene Square
Toronto, ON M1X 1A7

TO OUR VALUED CUSTOMER _____

THANK YOU FOR PURCHASING THIS JVC PRODUCT.
WE WANT TO HELP YOU ACHIEVE A PERFECT EXPERIENCE.

**NEED HELP ON HOW TO HOOK UP?
NEED ASSISTANCE ON HOW TO OPERATE?
NEED TO LOCATE A JVC SERVICE CENTER?
LIKE TO PURCHASE ACCESSORIES?**

JVC IS HERE TO HELP!
TOLL FREE: 1(800)252-5722
<http://www.jvc.com>

Remember to retain your Bill of Sale for Warranty Service.

_____ **Do not attempt to service the product yourself** _____

Caution

To prevent electrical shock, do not open the cabinet.
There are no user serviceable parts inside.
Please refer to qualified service personnel for repairs.

PRODUCT REGISTRATION

We suggest that you register your product since it will enable us to contact you directly if it is ever necessary to correct a safety related condition in your product.

You can register at www.register.jvc.com

Please note that failure to register does not diminish any of your rights during the warranty period.



LIMITED WARRANTY

1-1 USA ONLY

ONLY FOR PRODUCT PURCHASED IN U.S.A.

JVC Americas Corp. (JVC) warrants this product and all parts thereof, except as set forth below ONLY TO THE ORIGINAL RETAIL PURCHASER to be FREE FROM DEFECTIVE MATERIALS AND WORKMANSHIP from the date of original purchase for the period shown below. ("The Warranty Period")

PARTS	1 YR	LABOR	1 YR
-------	-------------	-------	-------------

THIS LIMITED WARRANTY IS VALID ONLY IN THE FIFTY (50) UNITED STATES, THE DISTRICT OF COLUMBIA AND IN THE COMMONWEALTH OF PUERTO RICO.

WHAT WE WILL DO:

If this product is found to be defective within the warranty period, JVC will repair or replace defective parts with new or rebuilt equivalents at no charge to the original owner. Such repair and replacement services shall be rendered by JVC during normal business hours at JVC authorized service centers. Parts used for replacement are warranted only for the remainder of the Warranty Period. All products may be brought to a JVC authorized service center on a carry-in basis. Color televisions with a screen size of 37" class or greater qualify for in-home service. In such cases, a technician will come to your home and either repair the TV there or remove and return it if it cannot be repaired in your home.

WHAT YOU MUST DO FOR WARRANTY SERVICE:

Please do not return your product to the retailer instead, return your product to the JVC authorized service center nearest you. If shipping the product to the service center, please be sure to package it carefully, preferably in the original packaging, and include a brief description of the problem(s). Please call 1-800-252-5722 to locate the nearest JVC authorized service center. Service locations can also be obtained from our website <http://www.jvc.com>. If your product qualifies for in-home service, the service representative will require clear access to the product.

If you have any questions concerning your JVC Product, please contact our Customer Care Center at 800-252-5722

WHAT IS NOT COVERED:

This limited warranty provided by JVC does not cover:

1. Products which have been subject to abuse, accident, alteration, modification, tampering, negligence, misuse, faulty installation, lack of reasonable care, or if repaired or serviced by anyone other than a service facility authorized by JVC to render such service, or if affixed to any attachment not provided with the products, or if the model or serial number has been altered, tampered with, defaced or removed;
2. Initial installation, installation and removal from cabinets or mounting systems.
3. Operational adjustments covered in the Owner's Manual, normal maintenance, video and audio head cleaning;
4. Damage that occurs in shipment, due to act of God, and cosmetic damage;
5. Signal reception problems and failures due to line power surge;
6. User Removal Memory Devices/Video Pick-up Tubes/CCD Image Sensors are covered for 90 days from the date of purchase;
7. Accessories;
8. Batteries (except that Rechargeable Batteries are covered for 90 days from the date of purchase);
9. Products used for commercial purposes, including, but not limited to rental.
10. Loss of data resultant from malfunction of hard drive or other data storage device;

There are no express warranties except as listed above.

THE DURATION OF ANY IMPLIED WARRANTIES, INCLUDING THE IMPLIED WARRANTY OF MERCHANTABILITY, IS LIMITED TO THE DURATION OF THE EXPRESS WARRANTY HEREIN.

JVC SHALL NOT BE LIABLE FOR ANY LOSS OF USE OF THE PRODUCT, INCONVENIENCE, OR ANY OTHER DAMAGES, WHETHER DIRECT, INCIDENTAL OR CONSEQUENTIAL (INCLUDING, WITHOUT LIMITATION, DAMAGE TO TAPES, RECORDS OR DISCS) RESULTING FROM THE USE OF THIS PRODUCT, OR ARISING OUT OF ANY BREACH OF THIS WARRANTY. ALL EXPRESS AND IMPLIED WARRANTIES, INCLUDING THE WARRANTIES OF MERCHANTABILITY AND FITNESS FOR PARTICULAR PURPOSE, ARE LIMITED TO THE WARRANTY PERIOD SET FORTH ABOVE.

Some states do not allow the exclusion of incidental or consequential damages or limitations on how long an implied warranty lasts, so these limitations or exclusions may not apply to you. This warranty gives you specific legal rights and you may also have other rights which vary from state to state.

JVC AMERICAS CORP.
1700 Valley Road, Wayne, New Jersey 07470
<http://www.jvc.com>

REFURBISHED PRODUCTS CARRY A SEPARATE WARRANTY, THIS WARRANTY DOES NOT APPLY. FOR DETAIL OF REFURBISHED PRODUCT WARRANTY, PLEASE REFER TO THE REFURBISHED PRODUCT WARRANTY INFORMATION PACKAGED WITH EACH REFURBISHED PRODUCT.

For customer use:

Enter below the Model No. and Serial No. which is located either on the rear, bottom or side of the cabinet. Retain this information for future reference.

Model No. : _____

Serial No. : _____

Purchase date : _____

Name of dealer : _____