





EXPERIENCE NEW LUXURY **KIA QUORIS**



## A CAPTIVATING CLASS-LEADER

While boasting the largest dimensions in its segment, Kia Quoris is the next step in Kia's dynamic and innovative design legacy with its charismatic front mask and sophisticated curves and surfaces.



## PROPORTIONS THAT DEFINE LUXURY

For a premium sedan, beauty lies in the proportions. A long sweeping shoulder and extended rear overhang combine to give Kia Quoris a robust stance and aura of power and dignity.



## ELEGANT AND MODERN SIMPLICITY AT ITS BEST

A sleek and aerodynamic side silhouette is accentuated by a simple yet confident side character line to give Kia Quoris a feeling of spaciousness while emphasizing its performance-driven design.





## STIRRING THE SENSES WITH FUTURISTIC APPEAL

Kia Quoris is a game-changing luxury sedan that pushes the horizons of its segment. Passionate attention has been paid to the finer details including innovative, high-tech touches that enhance both Kia Quoris' functionality and aesthetic allure.





## A PERFECT HARMONY OF CLASSIC LUXURY AND MODERN TECHNOLOGY

From the high-tech, driver-centric cockpit to the plethora of amenities, the premium interior of Kia Quoris boasts the ultimate level of sophistication and refinement typically available only in the most expensive European premium sedans. The premium interior, together with its profound and stately feel, is made complete with the finishing touch of luxurious walnut, the color of real wood.





## AN OASIS OF SPACE AND COMFORT

The exterior concept of elegant simplicity and balanced proportions is carried over to the Kia Quoris' interior to create the most spacious cabin in the segment. Luxurious materials and a sophisticated aesthetic design promise occupants a sensation of high-quality and understated modernity.

The roomy rear seating layout features a state-of-the-art entertainment system rivaling those of the leading luxury models, while a wide assortment of convenience features can be directly controlled by the rear seat passengers. Kia Quoris gives birth to a whole new experience in cabin comfort and ambience.



**USB Socket in Rear Seats for Charging / Data-Reading**  
Conveniently equipped in the console of the center armrest of the rear seats, the USB socket offers VIP passengers with the handy data-reading and charging function throughout the journey.  
\* Applied only when the dual monitors for the rear seats are selected.

## A BREATHTAKING ON-ROAD PERFORMER

Kia's engineers have risen to the challenge of infusing Kia Quoris with the dynamic driving performance befitting a class-leading premium sedan. Advanced powertrain technologies, aerodynamic design optimization, and a full air suspension system combine for a truly thrilling drive.





## INDULGE IN THE LIGHT

A sedan with this much class and sophistication should soothe both your soul and your senses. Open it up and let the sunrays and fresh air in with the simple touch of a button for a cabin ambience that you and your occupants will not soon forget.

**Panoramic Sunroof** A stylish panoramic sunroof not only creates a bright and airy environment for occupants but also accentuates Kia Quoris' sporty, high-tech exterior styling.



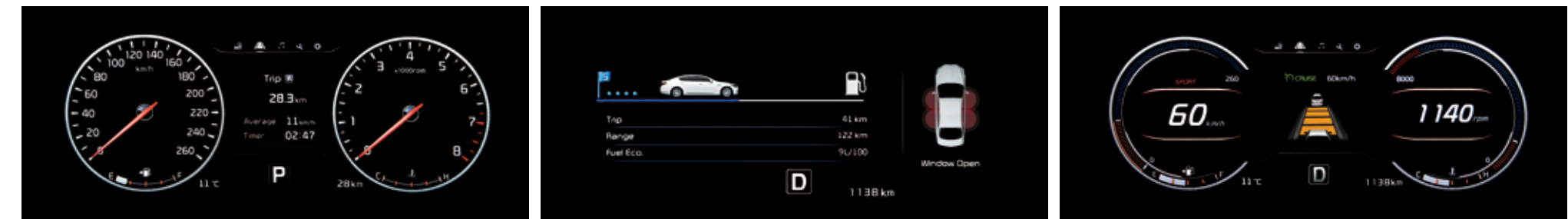


**SBW (Shift-By-Wire) Electronic Gear Knob** Kia Quoris features innovative SBW (shift-by-wire) technology, which removes any mechanical link between the gear selector and the gearbox. Together with a sensitive joystick control that delivers fast, smooth gear changes, SBW technology helps save space and weight while reducing engine noise in the cabin.

## HIGH-TECH DRIVER INTERFACE

Offering the most useful and timely data in car travel, Kia Quoris' instrument cluster is a blend of futuristic graphics and traditional, sporty cylinder-style gauges, underscoring that this is a car created for the pleasure of driving.

**12.3-Inch Full LCD Super Vision Cluster** Using Thin Film Transistor (TFT) technology, the high-definition cluster features precise graphics and delivers a wide range of information with remarkable clarity. The display priorities, graphic colors and size can be personalized to suit your preferences.



## INTELLIGENT ACTIVE SAFETY FOR PEACE OF MIND

Innovative state-of-the-art safety systems based on advanced radar and sensor technology help prevent accidents by warning and assisting you in hazardous driving situations. In some instances, they act autonomously to let you focus on the pure joy of driving.



● Blind Spot Detection

**BSD (Blind Spot Detection)** One of the most common causes of collision is the failure to see other vehicles in your car's blind spot. The BSD system features both LCA (lane change assist) which elongates the area of detection and RCTA (rear cross traffic alert) which warns the driver when there are approaching cross-traffic vehicles while the vehicle is in reverse gear.





**HUD (Head-Up Display)** A variety of information including current speed, navigation directions and lane departure warning are discretely projected onto the windshield glass in the driver's sight line. Brightness of the display is automatically adjusted to suit changing ambient light levels.



**ASCC (Advanced Smart Cruise Control)** A radar sensor at the front of the car monitors the gap between the vehicle ahead. The system automatically applies the brakes to maintain a pre-determined 'safe' distance and will even bring the vehicle to a complete stop, if necessary. The system will initiate take-off when car ahead moves on.



## A PANORAMIC PERSPECTIVE

In addition to high-tech radar and sensor technology, Kia Quoris is equipped with advanced camera systems that aid in promoting both safety and convenience in numerous situations for stress-free driving enjoyment.

**SVM (Surround View Monitor)** Four cameras located at the front, sides and rear of Kia Quoris provide a 360-degree, virtual bird's eye image of the car's location on the display monitor. In conjunction with PGS (Parking Guide System), which uses a steering wheel angle sensor and a rear-view camera to show the predicted trajectory of the vehicle, SVM enables safer and more convenient parking.



1. Surround view
2. Rear Wide view
3. Rear+left side view
4. Rear+right side view



## AN EXHILARATING DRIVE INTO THE FUTURE

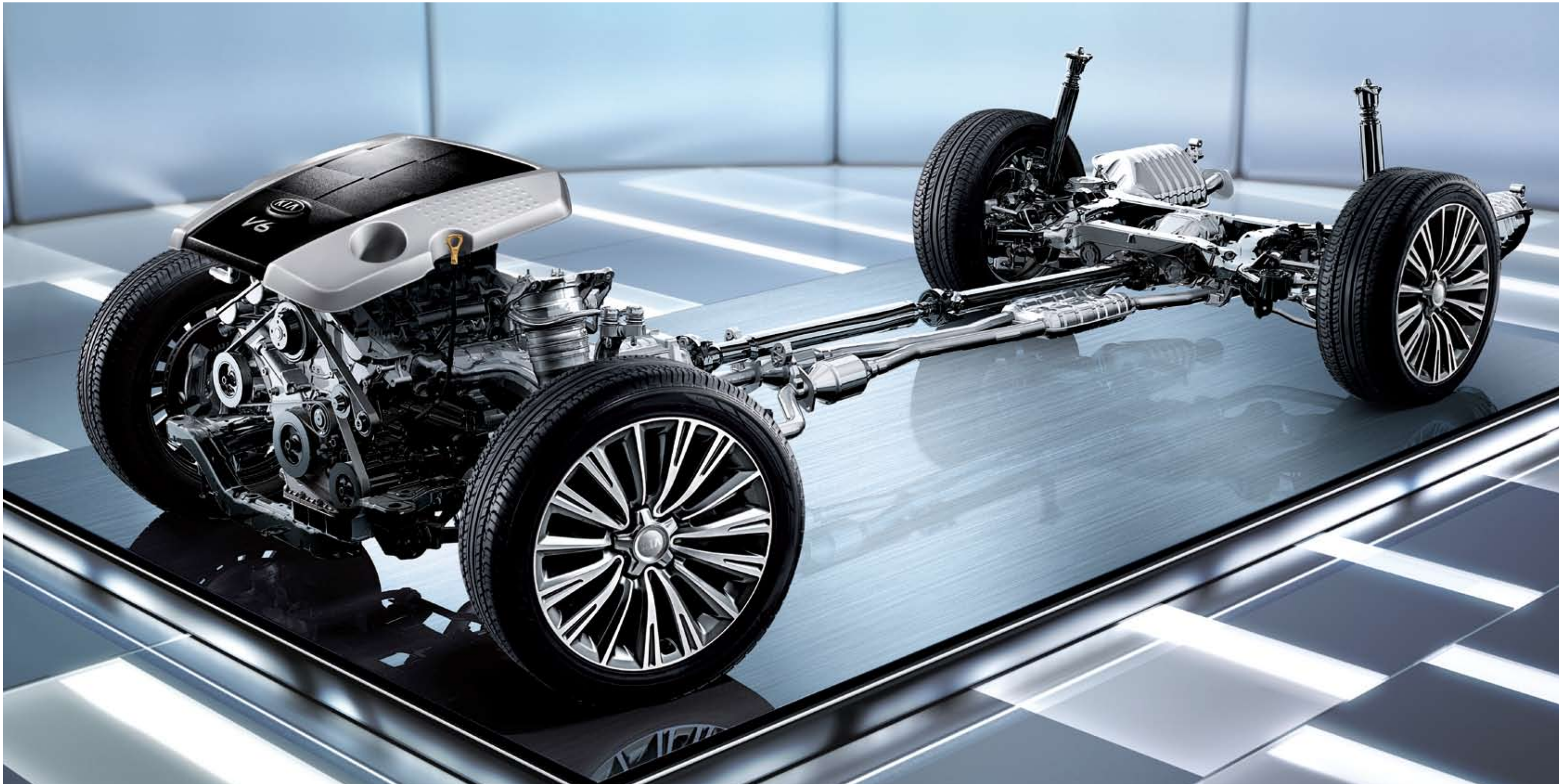
In addition to providing a dynamic and exciting driving experience, Kia Quoris employs highstrength steel throughout the chassis to ensure a higher level of protection against collisions.



**Smart Shift & Drive** The Smart Shift & Drive function analyzes how you drive in real time, conveniently choosing the most optimum driving mode for you among ECO, Normal and Sport modes.





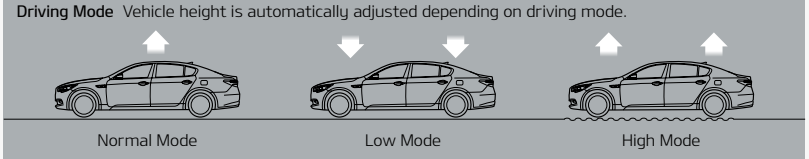


## ADVANCED REAR-WHEEL DRIVE POWERTRAIN

Kia Quoris features an all-new rear-wheel drive platform akin to those used by world-class luxury carmakers, signaling in a new era of performance for the Kia brand. Be prepared for an unexpected level of dynamic power and control.

**RWD (Rear-Wheel Drive)** Near-perfect front/rear weight distribution has created a strong foundation for excellent balance and steering response as well as a sophisticated blend of ride and handling qualities. Kia Quoris' RWD layout provides superb acceleration performance as well as a high degree of stability and control.

**Air Suspension** Optimal body control is ensured thanks to driving modes that cater to different driving conditions.



**3.8-liter Multi-Port Injection V6 Gasoline Engine** At the heart of the Kia Quoris is a reengineered Lambda V6 gasoline engine boasting a host of improvements and friction-reducing modifications to boost power, raise efficiency and enhance refinement. Featuring dual CVT and all-aluminum block construction, this engine produces a robust 290 ps @ 6,200 rpm with maximum torque of 36.5 kg-m @ 4,500 rpm.





**8-Speed Automatic Transmission** Kia's all-new 8-speed automatic transmission guarantees brisk acceleration, high-speed refinement and enhanced fuel efficiency. A choice of four fully automatic modes (Eco, Normal, Sport and Snow) ensures ideal characteristics for all driving conditions.



**Auto Hold Switch** This innovative feature automatically maintains the vehicle in standstill after the driver brings the vehicle to a complete stop by foot brake, then releases by acceleration. You no longer have to keep your foot on the brake pedal to prevent the vehicle from rolling away accidentally when stopped on an incline or caught in slow traffic.

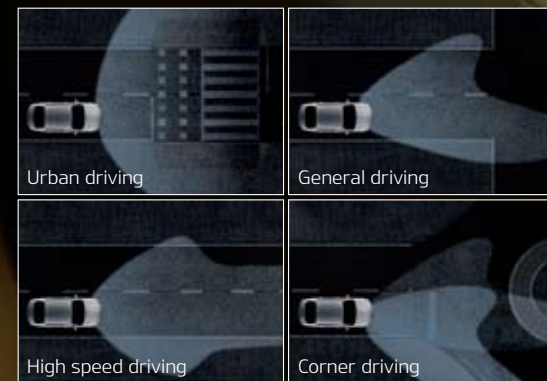


**Three Zone, Full Auto Temperature Control** For ultimate comfort and convenience, individual settings and thermostats for both driver and front seat passenger as well as the rear seating area enable customized climate control according to preferences.

## A SHOWCASE OF ADVANCED TECHNOLOGICAL THINKING

**Advanced 9-Airbag System** From the intelligent Advanced 9-Airbag System of Kia Quoris which provides an exceptional level of protection from the impact of collisions, safety is further ensured with Airbag Control Unit (ACU) which activates the pre-tensioner of the front seat belts and deploys side and curtain airbags to minimize the injuries of the passenger when detecting a vehicle rollover.

**Driver's Knee Airbag** In the event of a crash, the driver's knee airbag deploys to prevent injury to the lower body by offering extra protection for the driver's legs and feet from impact with the steering column and instrument panel.



**Full LED Headlights with AFLS (Adaptive Front Lighting System)** For optimal visibility when driving at night, AFLS (Adaptive Front Lighting System) works in conjunction with the full LED headlights to deliver a continuously varying beam pattern depending on vehicle speed and steering angle.

## A SYMPHONY OF FULL-BODIED SOUND

Immerse yourself in the magical world of Kia Quoris' premium 17-speaker audio system. With sound so lush and realistic, the vehicle's cabin will become your own personal concert hall.



**Lexicon Premium Sound System** Lexicon by Harman is renowned as a creator of truly concert-hall standards of premium audio reproduction. Consisting of 17 speakers and a trunk-mounted digital amplifier, Kia Quoris' sound system utilizes acoustic lens technology to deliver consistent sound quality throughout the cabin while an inverted subwoofer translates into more trunk space and the ultimate in bass performance.

**AUX + USB + iPod** Add another dimension to your in-car entertainment by enjoying your favorite music from your own personal music library.

**Bluetooth Wireless** You can make and receive phone calls while keeping both hands on the wheel and eyes on the road thanks to the steering wheel mounted controls.



**Front Armrest Control Box** Enjoy convenient access to various multimedia functions without lifting your arm off of the armrest. The centralized control panel features an ergonomically designed control knob that enables quick, intuitive, simple operation.



**9.2-inch Driver Information Display** The large, easy-to-read high definition screen of the audio & visual (including DVD) system, which allows the driver to take full advantage of state-of-the-art driving and multimedia functions has been further improved with the capacitive touch screen offering convenient control, and 9.2-inch HD class wide viewing angle monitor, improving the overall quality of Kia Quoris.

### Haptic Steering Wheel Dial

Drivers can easily navigate menus for a variety of vehicle and route information. A slight vibrating sensation when scrolling over a new selection helps to improve driver concentration and safety.



**Rear Entertainment System (9.2-Inch Dual Monitors)** Rear seat passengers are treated to a first-class entertainment experience thanks to twin 9.2-inch monitors set into the back of each front seat. Sit back and enjoy rich multimedia in various video formats along with premium sound quality.



**Rear Armrest Control Box** The wide-array of buttons and dials conveniently located on the rear seat armrest allows back seat passengers to enjoy full control of the rear multimedia entertainment system, second row climate, seat ventilation and rear electric sun shade.



**Wingout Headrests** The new rear seat headrests made of memory foam, feature side support cushions that can be angled inwards up to 30 degrees while the entire headrest can be adjusted vertically by 15 degrees. Rear seat occupants can enjoy maximum lateral head support for ultimate comfort, especially on long journeys.





**Rear Bench Seat** Passengers in the rear will enjoy the ultimate in travel comfort thanks to Kia Quoris' luxurious rear seats that provide three levels of seat warming capability, power reclining, and firm yet supple thigh, torso and lumbar support. The center arm rest and integrated multimedia control box can be retracted to create ample seating for three adults.



**Ventilated Seats** A thermoelectric device projects heated or cool air to the seat surfaces for enhanced comfort to keep you feeling fresh even on the longest journeys and in extreme temperatures.



**Fender Garnish** An understated chrome molding serves as a modern and elegant design cue that further refines Kia Quoris' sophisticated yet sporty side view.



**LED High-Mounted Stop Lamp** The elongated horizontal shape of the high-mounted brake lamp not only blends seamlessly with Kia Quoris' stylish rear design but also offers maximum visibility for trailing motorists.



**Puddle Lamps & Pocket Lights** Innovative puddle lamps under the side mirrors illuminate the ground for better visibility when approaching and exiting the vehicle at night while convenient pocket lights under the door handles aid vehicle access in the dark.

## A SANCTUARY OF RELAXATION & CONVENIENCE



### Button Start / Stop (with Smart Key)

For maximum convenience, the ignition can be turned on or off with a simple push of a button. Meanwhile, the smart key entry system senses when the car's key bearer approaches and automatically unlocks the vehicle.

**16-Way Power Lumbar Support Driver's Seat with IMS** Kia Quoris' 16-way electrically adjustable driver's seat addresses nearly every possible support angle, while both front seats can store two customized seat position preferences for maximum convenience.



**Electric Rear Window Shade** A convenient one-touch mechanism lowers or raises the automatic rear window shade for better privacy from prying eyes and enhanced protection from the sun on hot summer days.



**Air Cell Lumbar Support Seats** Pneumatic air cells mounted in the back support cushion of the rear seats can be inflated to varying levels to provide maximum comfort and lessen fatigue on extended trips.



**Power Door Latch** The mark of a truly luxury sedan is maximum convenience with minimal effort. The actuator motor built into the door latch automatically finishes closing the door in the event that it is not fully shut.



**Smart Trunk** The intelligence of Kia Quoris is proved further as the vehicle recognizes the driver holding the smart key, automatically opening the trunk after three seconds.



**Solar Glass** Featuring a thin film that reflects solar heat and blocks harmful UV rays, the solar glass used for Kia Quoris' windows not only keeps you and your passengers cooler on hot summer days but also protects the cabin interior from damage caused by the sun.



# A COLOR PALETTE FOR THE ARTIST IN YOU

A car of luxury standards this high deserves to be bathed in colors that show off its elegance and refinement. Choose an exterior and interior color scheme that best expresses your definition of beauty.

## EXTERIOR COLORS



## INTERIOR COLORS



## WHEELS



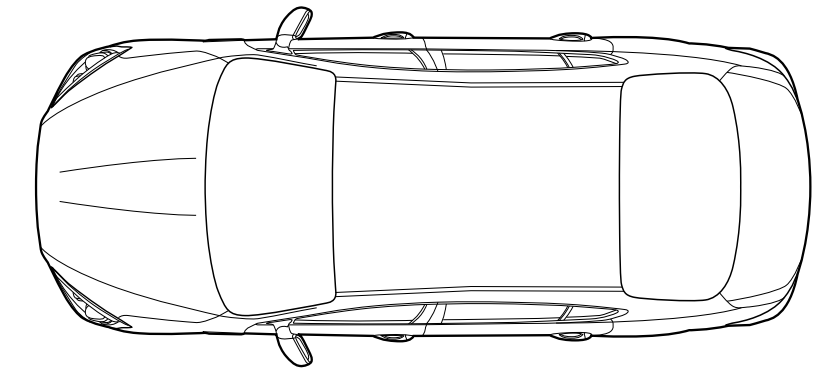
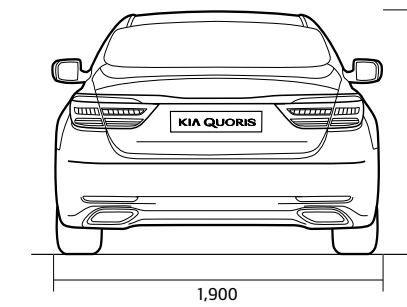
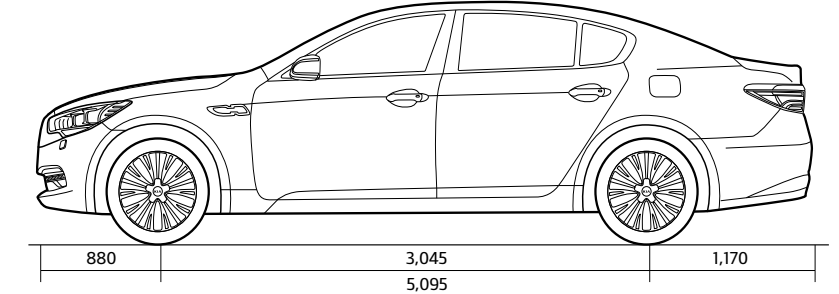
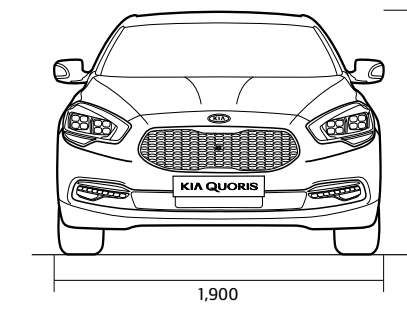
18 - inch Alloy Wheels



19 - inch Alloy Wheels

## DIMENSIONS

		unit : mm	
Exterior		Interior	
Overall length	5,095	Head room (Front)	1,020
Overall width	1,900	Head room (Rear)	964
Overall height	1,490	Leg room (Front)	1,145
Wheelbase	3,045	Leg room (Rear)	990
Overhang (Front)	880	Fuel tank capacity (ℓ)	75
Overhang (Rear)	1,170	Trunk capacity (ℓ)	450



All information contained herein was based upon the latest available information at the time of printing. Descriptions are believed to be correct, and Kia Motors Corporation makes every effort to ensure accuracy, however accuracy cannot be guaranteed. From time to time, Kia Motors Corporation may need to update or make changes to the vehicle features and other vehicle information reported in this brochure. Some vehicles shown include optional equipment that may not be available in some regions. All video and camera screens shown are simulated. Kia Motors Corporation, by the publication and dissemination of this material, does not create any warranties, either express or implied, to any Kia products. Contact your local Kia dealer for the most current information.  
© 2014 Kia Motors Corporation. Reproduction of the contents of this material without the permission of Kia Motors Corporation is prohibited.



**Kia Motors Corporation**  
12 Heolleung-ro, Seocho-gu, Seoul, 137-938, Korea

[www.kia.com](http://www.kia.com)

1502-JS-SW/GE-LHD

## The Power to Surprise

Kia is the newest and most exciting force of change in the automotive world and we are ready to change the way you feel and think about driving. More than just a promise, we are committed to making driving a true pleasure for customers across the globe. With youthful and dynamic styling and the latest in advanced technologies, Kia cars are turning heads the world over with the power to surprise. From the Picanto to the Mohave, Kia offers a full lineup of sedans, SUVs and MPVs that are not only practical and stylish but downright exhilarating to drive. Keep your eyes on Kia because our best has yet to come.

### About Kia Motors Corporation

Kia Motors Corporation ([www.kia.com](http://www.kia.com)) – a maker of quality vehicles for the young-at-heart – was founded in 1944 and is Korea's oldest manufacturer of motor vehicles. Over 2.7 million Kia vehicles a year are produced in 10 manufacturing and assembly operations in five countries which are then sold and serviced through a network of distributors and dealers covering around 150 countries. Kia today has around 48,000 employees worldwide and annual revenues of over US\$43 billion. It is the major sponsor of the Australian Open and an official automotive partner of FIFA – the governing body of the FIFA World Cup™. Kia Motors Corporation's brand slogan – "The Power to Surprise" – represents the company's global commitment to surprise the world by providing exciting and inspiring experiences that go beyond expectations.

