



**HOSHIZAKI
MODULAR CRESCENT CUBER**

**MODEL
KML-600MAH
KML-600MWH
KML-600MRH**

PARTS LIST

KML-600MAH

L-0 JUNE 2001
L-1 AUGUST 2001

KML-600MWH

L-0 APRIL 2001
L-1

KML-600MRH

L-0 JUNE 2001
L-1 AUGUST 2001

MATERIAL ABBREVIATIONS

ALUMINUM

AL = Aluminum

COPPER

CU = Copper

PLASTIC

ABS = Acrylonitrile -butadiene - styrene
 AC = Polyacetal
 EVA = Ethylene vinyl acetate
 PA = Polyamide = Nylon
 PC = Polycarbonate
 PE = Polyethylene
 PES = Polyester
 PETP = Polyethylene terephthalate = Tetlon
 PP = Polypropylene
 PS = Polystyrene
 PTFE = Polytetrafluoroethylene = Teflon
 PUR = Polyurethane
 PVC = Polyvinyl chloride

RUBBER

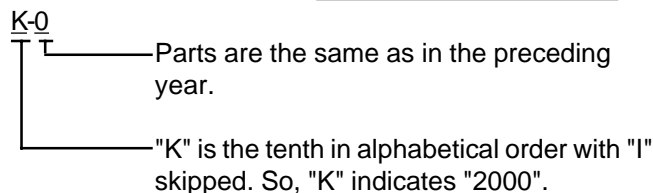
VN = Vinyl Nitrile
 EPDM = EP rubber
 NBR = Nitrile butadiene rubber
 NR = Natural rubber
 NP = Neoprene
 SI.R = Silicone rubber
 SY.R = Synthetic rubber
 EPH = Epichlorohydrin

STEEL

G.S = Galvanized steel
 S.S = Stainless steel
 PS = Plated steel
 PAS = Primed steel

AUXILIARY CODE

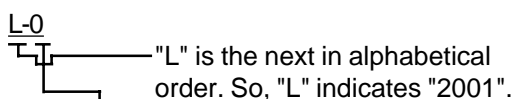
Ex.1



(Note) - = Part deleted.

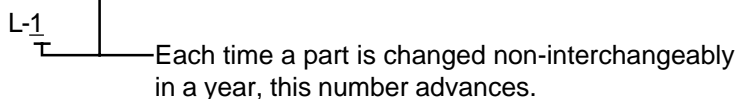
x = Part deleted and replaced by "o" (interchangeable) part.

Ex.2

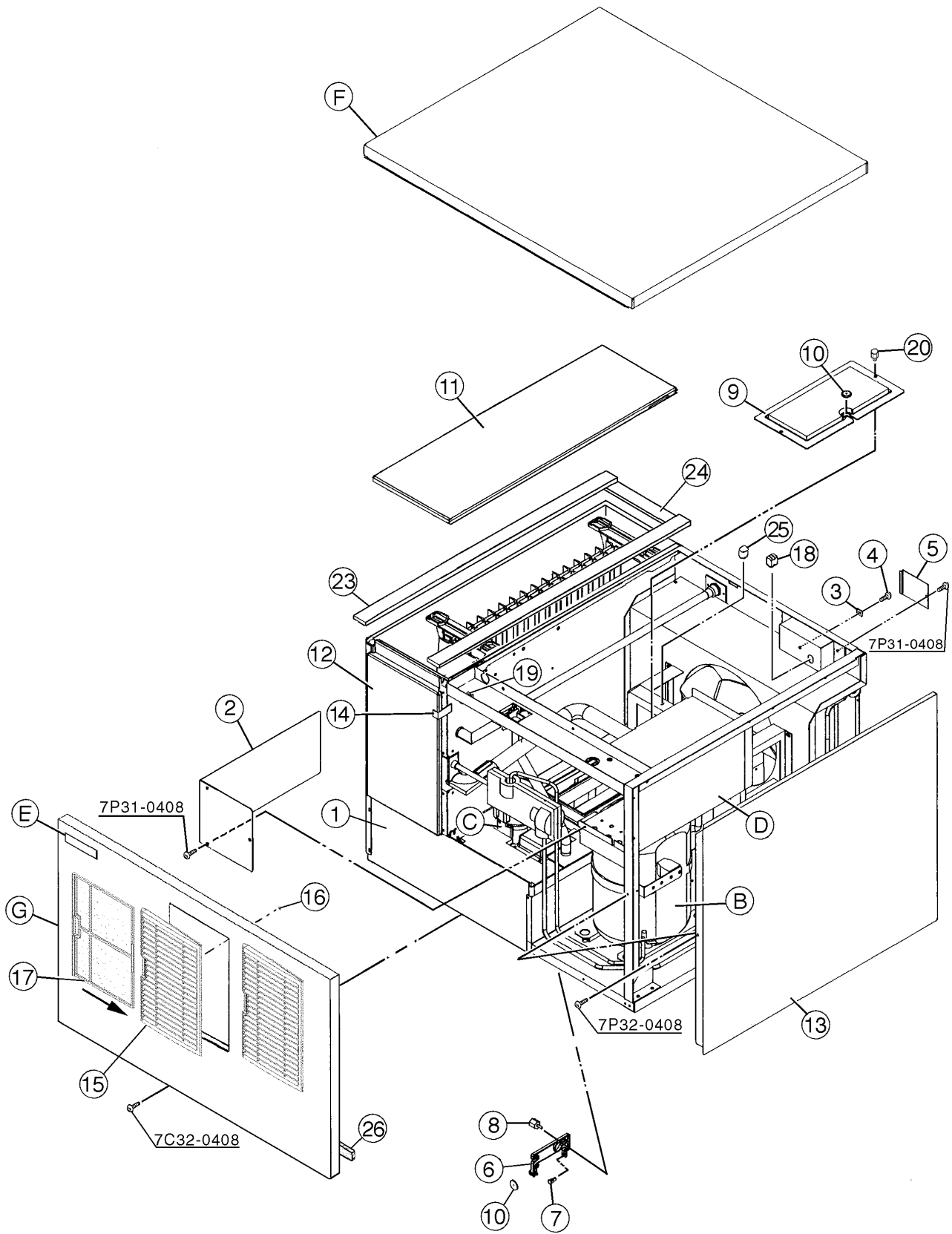


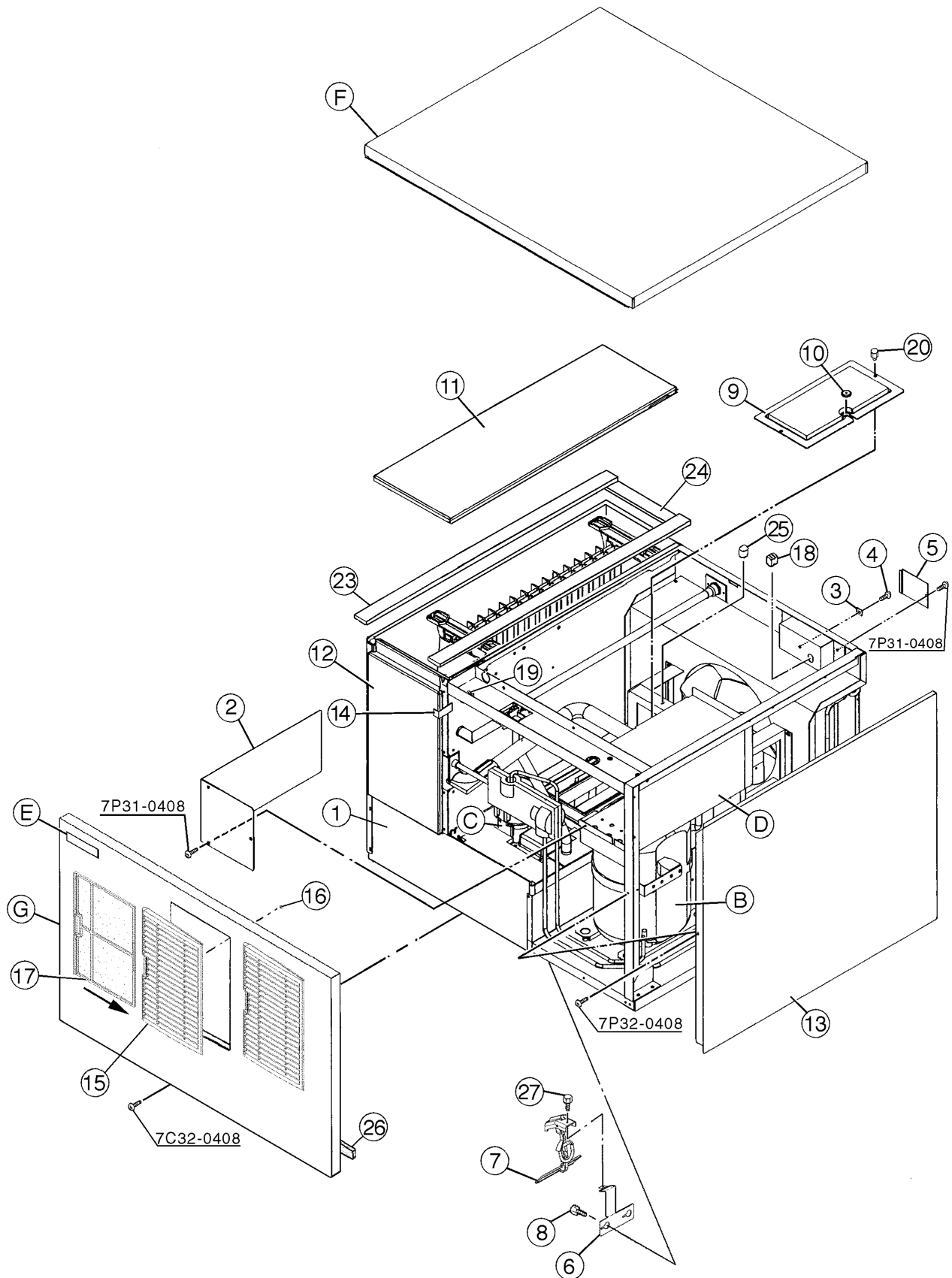
o = New part for "x" in the same auxiliary code.

Ex.3



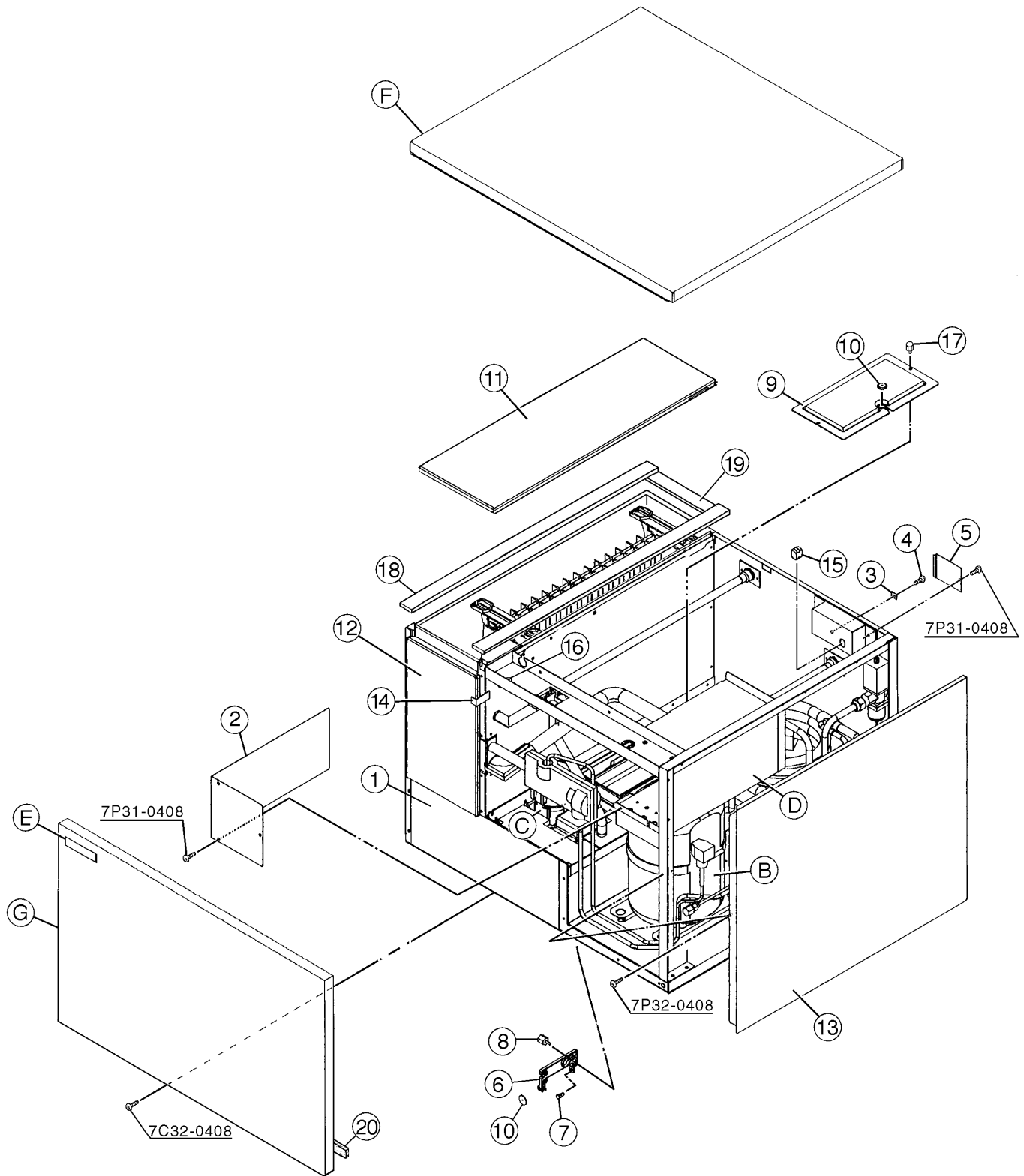
A. ICE CUBER ASSEMBLY

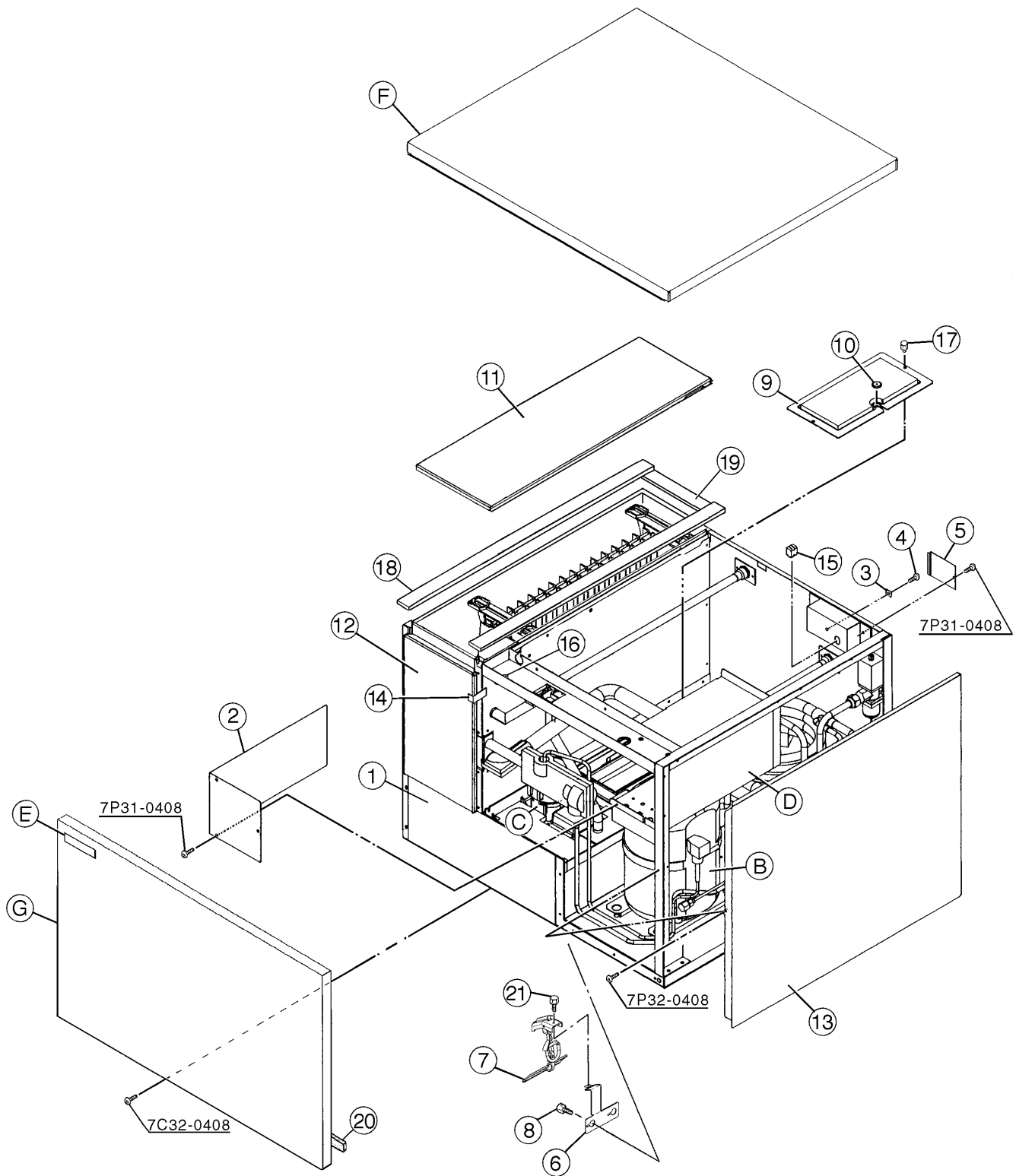




HA

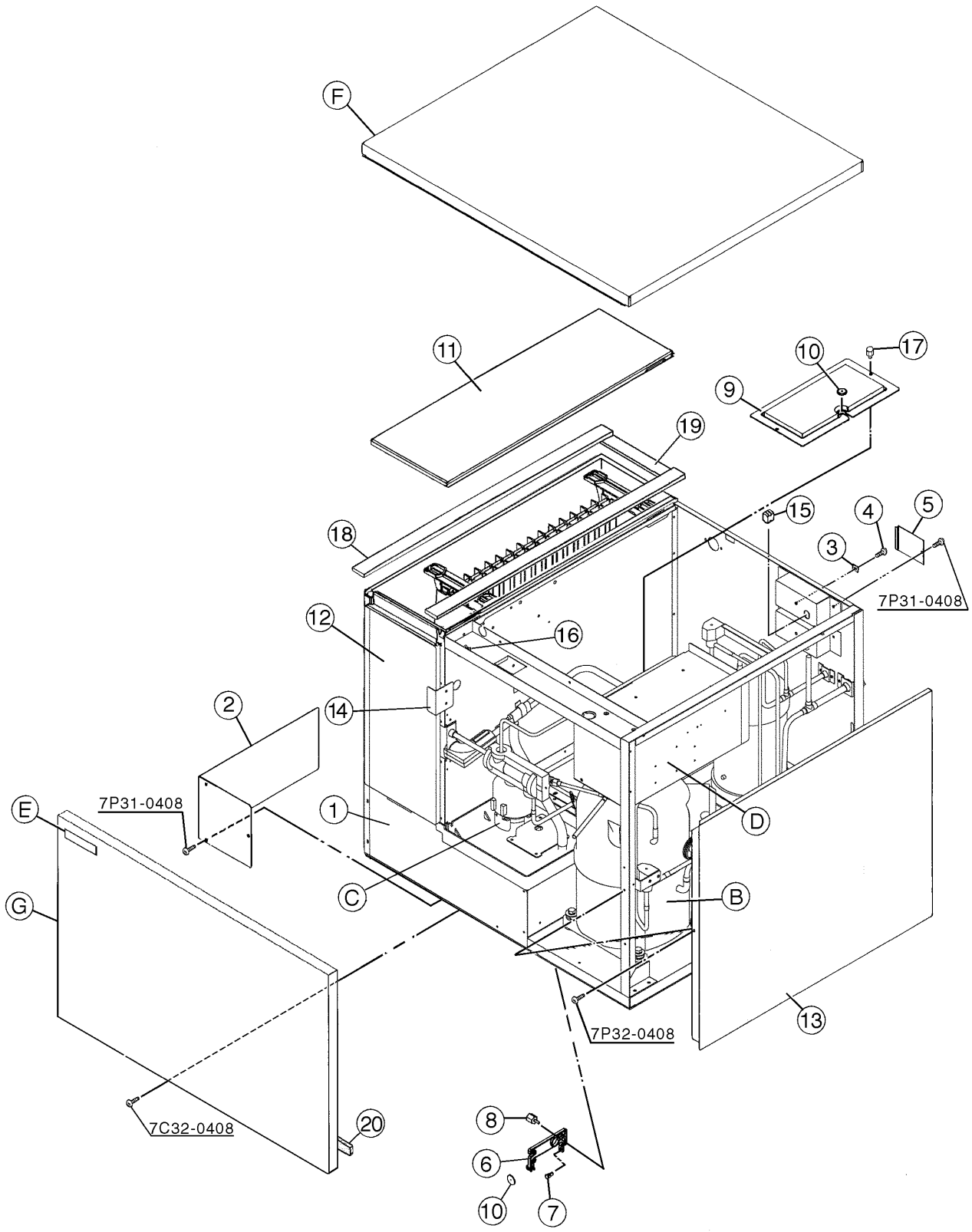
MODEL: KML-600MAH TITLE: A. ICE CUBER ASSEMBLY								
INDEX NO.	DESCRIPTION	MATERIAL OR MODEL NUMBER	PART NUMBER	REQUIRED NUMBER				
				L-0	L-1			
B	REFRIGERATION CIRCUIT	-	1A0280A01	1	1			
C	WATER CIRCUIT	-	2A1195A02	1	1			
D	CONTROL BOX ASSEMBLY	-	2A2036A01	1	-			
		-	2A2273A01		1			
	T2 SCREW	4 X 8	7P31-0408	3	3			
E	LABEL LOCATION	-	3A1870A01	1	-			
		-	3A2037A01		1			
F	TOP PANEL ASSEMBLY	-	3A1862A01	1	1			
G	FRONT PANEL	-	3A1860A01	1	1			
	TRUSS HEAD SCREW	4 X 8, SS	7C32-0408	1	1			
1	EVAPORATOR CASE	-	2A2116G01	1	1			
2	CONTROL BOX COVER	GS	3A1828-01	1	1			
	T2 SCREW	4 X 8	7P31-0408	3	3			
3	SQUARE WASHER	BRASS	433537-02	1	1			
4	SCREW - GROUNDING	BRASS	433304-02	1	1			
5	JUNCTION BOX COVER	GS	433410-01	1	1			
	T2 SCREW	4 X 8	7P31-0408	1	1			
6	THERMOSTAT EXTENSION BRACKET	SS	4A1722-01	1	-			
	BRACKET (L)	-	3A1433-01		1			
7	SPACER	PE	443545-01	1	-			
	BIN SWITCH	-	4A2430-01		1			
8	THUMBSCREW	SS, ABS	415949G03	2	-			
		SS, ABS	415949G09		2			
9	BIN CONTROL COVER	GS	3A0664G01	1	1			
10	CAPILLARY RING	EP RUBBER	425307-01	2	1			
11	TOP INSULATION	PP	215730G01	1	1			
12	FRONT INSULATION	PP	2A0664G02	1	1			
13	SIDE PANEL (R)	SS	2A2114G01	1	1			
	T2 SCREW	4 X 8, SS	7P32-0408	1	1			

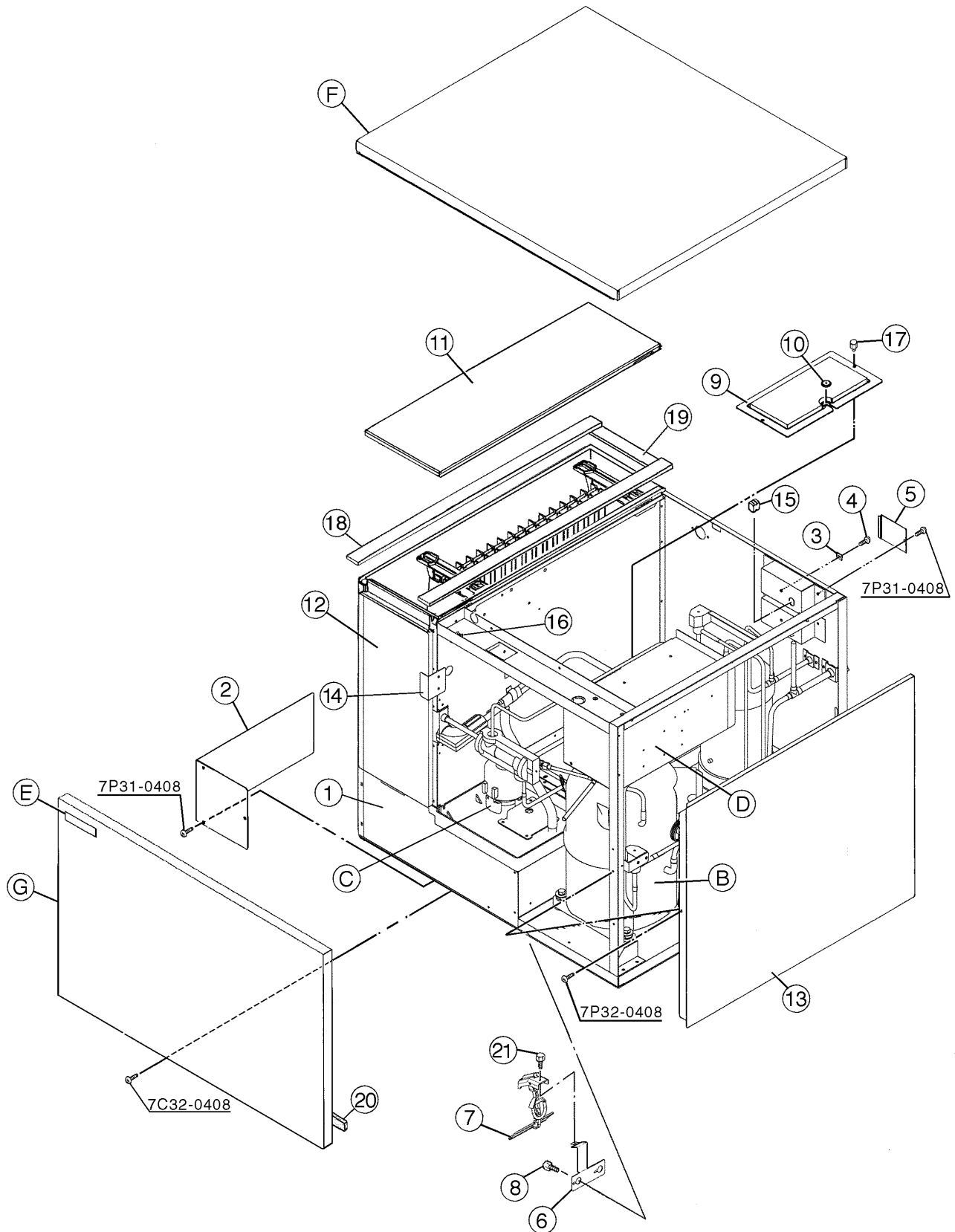




HA

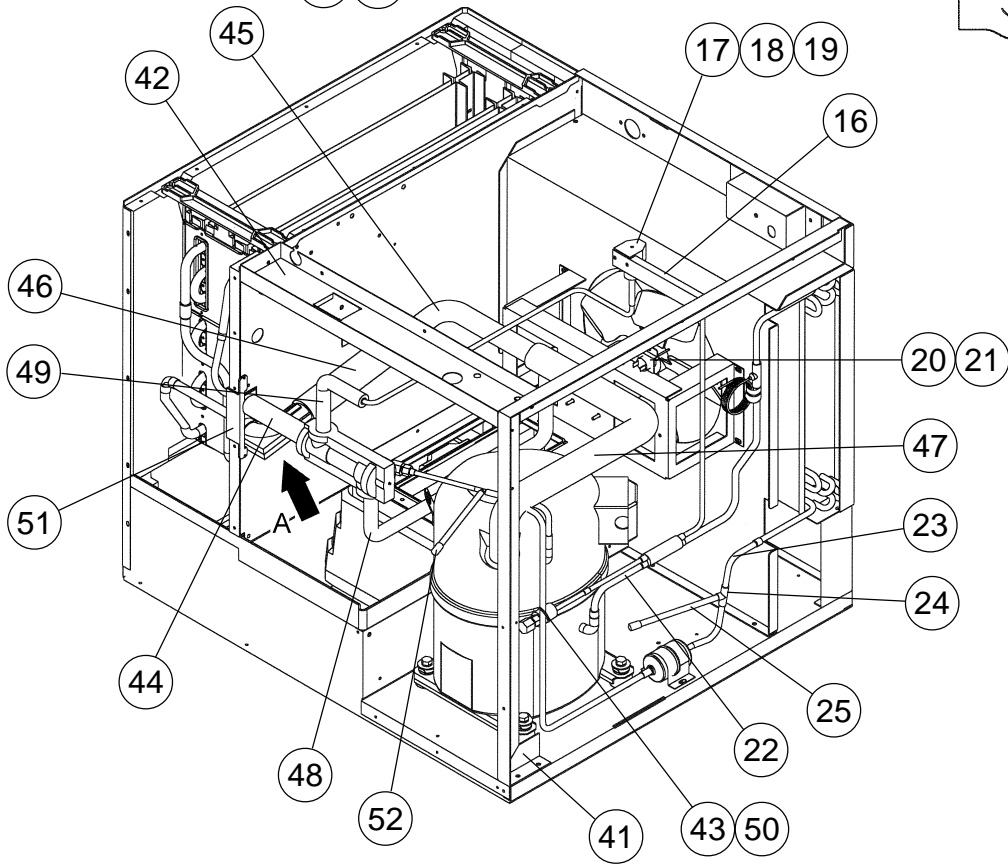
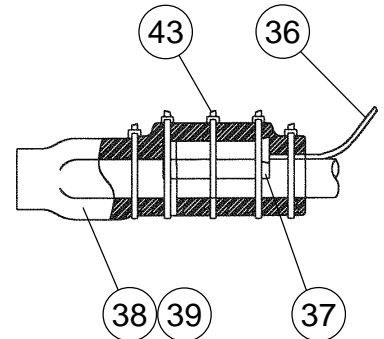
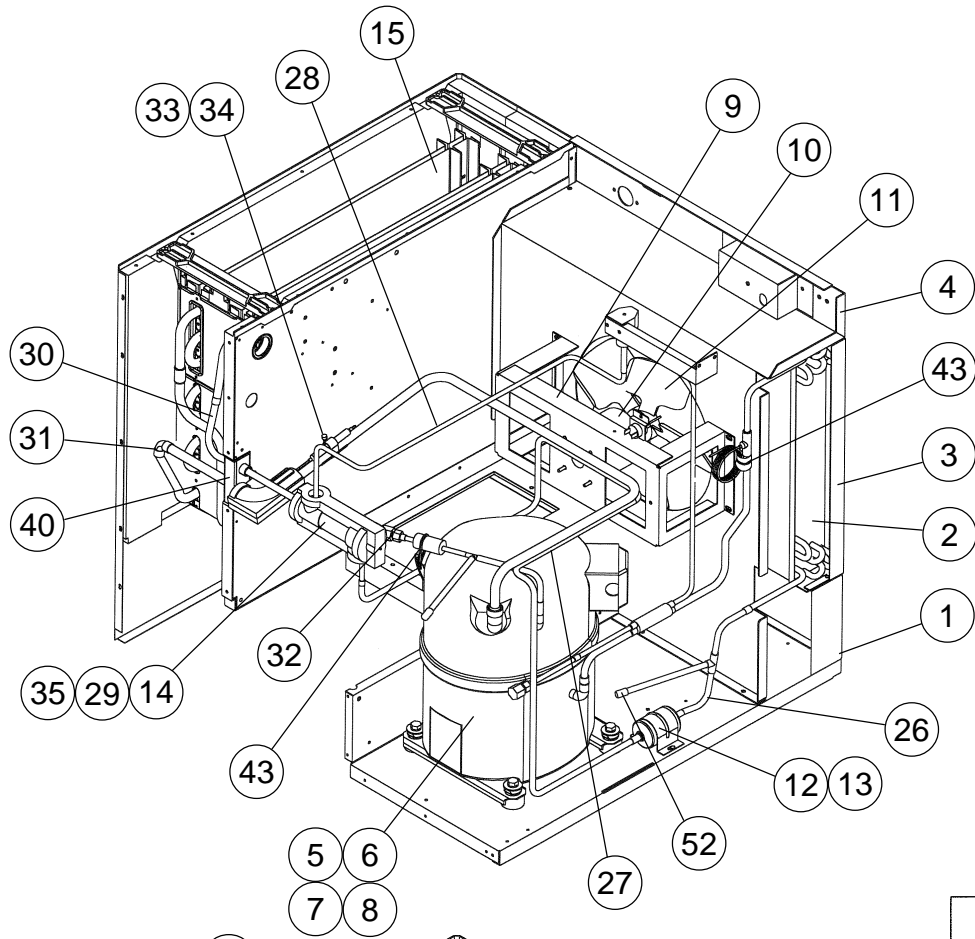
MODEL: KML-600MWH TITLE: A. ICE CUBER ASSEMBLY								
INDEX NO.	DESCRIPTION	MATERIAL OR MODEL NUMBER	PART NUMBER	REQUIRED NUMBER				
				L-0	L-1			
B	REFRIGERATION CIRCUIT	-	1A0300A01	1	1			
C	WATER CIRCUIT	-	2A1195A02	1	1			
D	CONTROL BOX ASSEMBLY	-	2A2036A02	1	-			
		-	2A2273A02		1			
	T2 SCREW	4 X 8	7P31-0408	3	3			
E	LABEL LOCATION	-	3A1871A01	1	-			
					?			
F	TOP PANEL ASSEMBLY	-	3A1862A01	1	1			
G	FRONT PANEL	-	3A1860A02	1	1			
	TRUSS HEAD SCREW	4 X 8, SS	7C32-0408	1	1			
1	EVAPORATOR CASE	-	2A2116G01	1	1			
2	CONTROL BOX COVER	GS	3A1828-01	1	1			
	T2 SCREW	4 X 8	7P31-0408	3	3			
3	SQUARE WASHER	BRASS	433537-02	1	1			
4	SCREW - GROUNDING	BRASS	433304-02	1	1			
5	JUNCTION BOX COVER	GS	433410-01	1	1			
	T2 SCREW	4 X 8	7P31-0408	1	1			
6	THERMOSTAT EXTENSION BRACKET	SS	4A1722-01	1	-			
	BRACKET (L)	-	3A1433-01		1			
7	SPACER	PE	443545-01	1	-			
	BIN SWITCH	-	4A2430-01		1			
8	THUMBSCREW	SS, ABS	415949G09	2	2			
9	BIN CONTROL COVER	GS	3A0664G01	1	1			
10	CAPILLARY RING	EP RUBBER	425307-01	2	1			
11	TOP INSULATION	PP	215730G01	1	1			
12	FRONT INSULATION	PP	2A0664G02	1	1			
13	SIDE PANEL (R)	SS	2A2114G01	1	1			
	T2 SCREW	4 X 8, SS	7P32-0408	1	1			





HA

MODEL: KML-600MRH TITLE: A. ICE CUBER ASSEMBLY								
INDEX NO.	DESCRIPTION	MATERIAL OR MODEL NUMBER	PART NUMBER	REQUIRED NUMBER				
				L-0	L-1			
B	REFRIGERATION CIRCUIT	-	1A0281A01	1	1			
C	WATER CIRCUIT	-	2A1195A02	1	1			
D	CONTROL BOX ASSEMBLY	-	2A2036A02	1	-			
		-	2A2273A02		1			
	T2 SCREW	4 X 8	7P31-0408	3	3			
E	LABEL LOCATION	-	3A1872A01	1	-			
		-	3A2039A01		1			
F	TOP PANEL ASSEMBLY	-	3A1862A01	1	1			
G	FRONT PANEL	-	3A1860A02	1	1			
	TRUSS HEAD SCREW	4 X 8, SS	7C32-0408	1	1			
1	EVAPORATOR CASE	-	2A2116G01	1	1			
2	CONTROL BOX COVER	GS	3A1828-01	1	1			
	T2 SCREW	4 X 8	7P31-0408	3	3			
3	SQUARE WASHER	BRASS	433537-02	1	1			
4	SCREW - GROUNDING	BRASS	433304-02	2	2			
5	JUNCTION BOX COVER	GS	433410-01	2	2			
	T2 SCREW	4 X 8	7P31-0408	2	2			
6	THERMOSTAT EXTENSION BRACKET	SS	4A1722-01	1	-			
	BRACKET (L)	-	3A1433-01		1			
7	SPACER	PE	443545-01	1	-			
	BIN SWITCH	-	4A2430-01		1			
8	THUMBSCREW	SS, ABS	415949G09	2	2			
9	BIN CONTROL COVER	GS	3A0664G01	1	1			
10	CAPILLARY RING	EP RUBBER	425307-01	2	1			
11	TOP INSULATION	PP	215730G01	1	1			
12	FRONT INSULATION	PP	2A0664G02	1	1			
13	SIDE PANEL (R)	SS	2A2114G01	1	1			
	T2 SCREW	4 X 8, SS	7P32-0408	1	1			

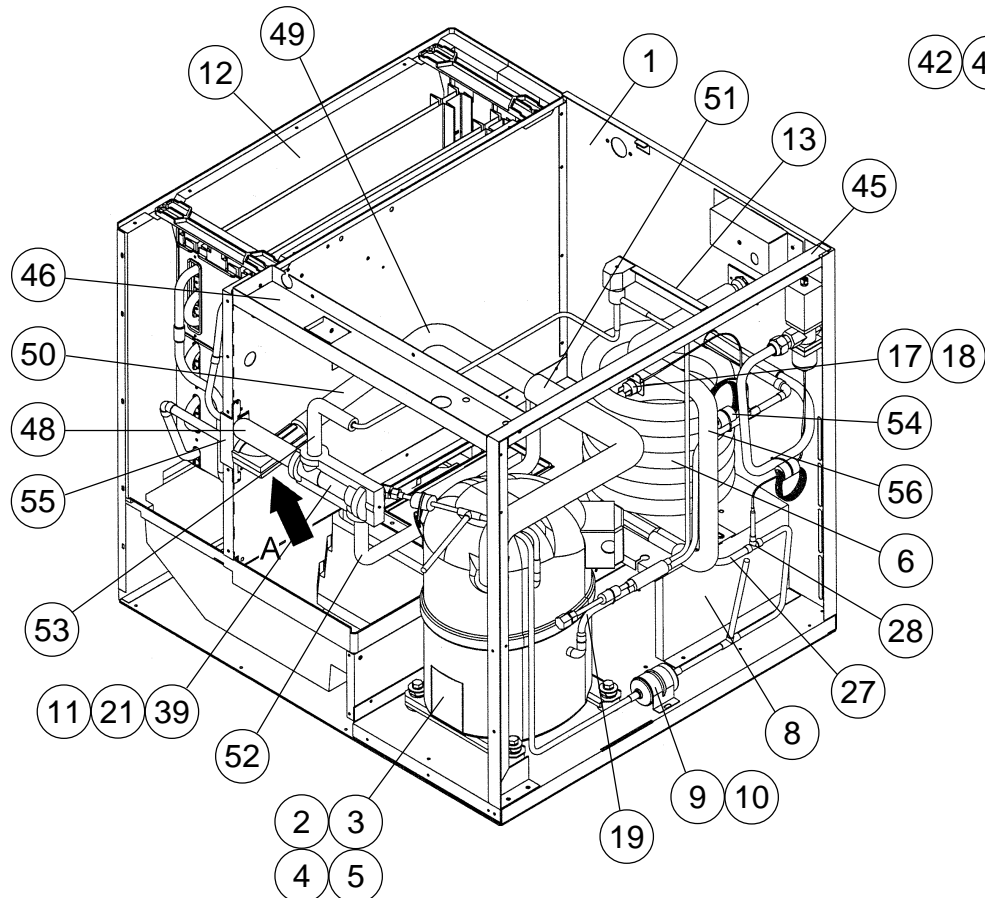
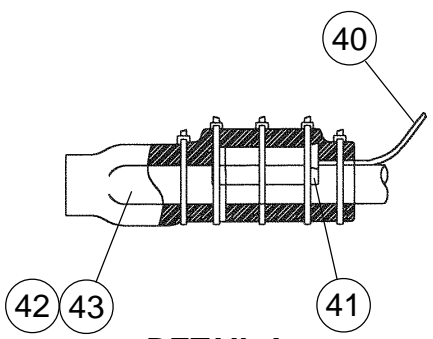
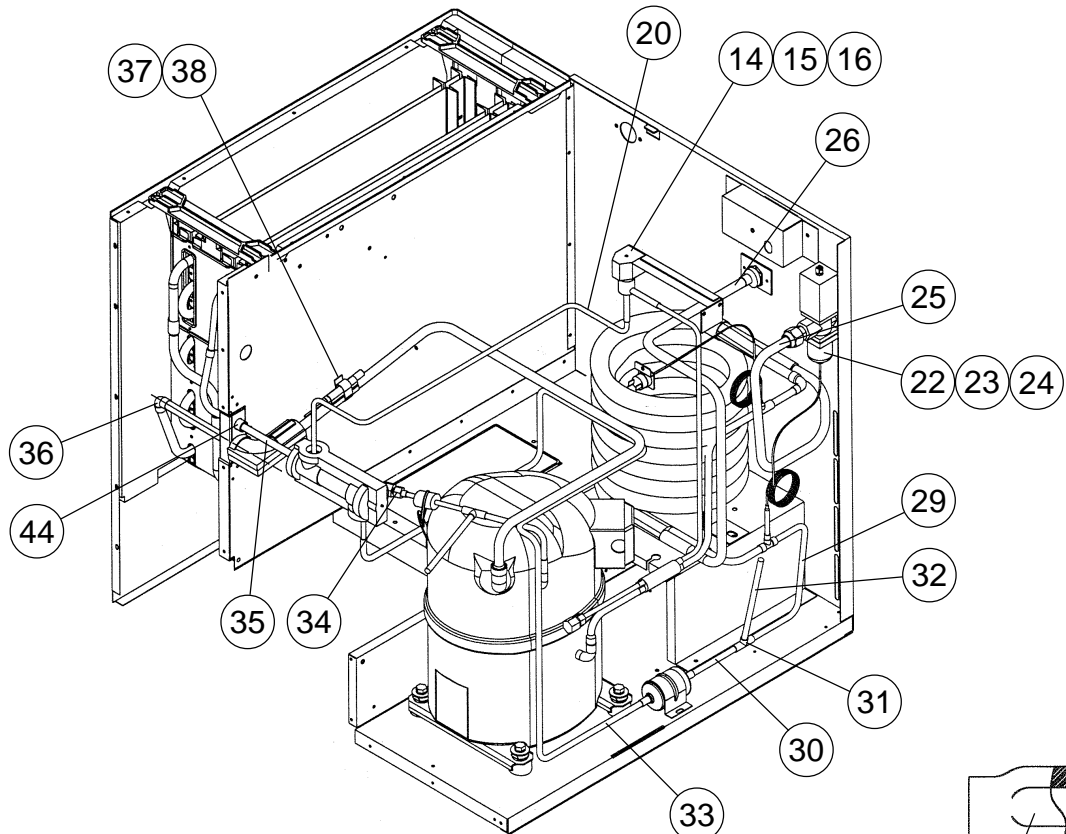


HA

MODEL: KML-600MAH TITLE: B. REFRIGERATION CIRCUIT								
INDEX NO.	DESCRIPTION	MATERIAL OR MODEL NUMBER	PART NUMBER	REQUIRED NUMBER				
				L-0	L-1			
1	CONDENSER SUPPORT	GS	3A0589-01	1	1			
	T2 SCREW	4 X 8	7P31-0408	5	5			
2	CONDENSER	HEATCRAFT	1A0261-01	1	1			
	T2 SCREW	4 X 8	7P31-0408	3	3			
3	BARRIER	GS	4A1496-01	1	1			
	T2 SCREW	4 X 8	7P31-0408	2	2			
4	SHROUD	GS	3A1027G01	1	1			
	T2 SCREW	4 X 8	7P31-0408	5	5			
5	COMPRESSOR	CS10K6E-PFV-237	4A1539-01	1	1			
6	BOLT	8 x 45	437889-01	4	4			
7	SPACER	028-0188-02	434921-01	4	4			
8	GROMMET	027-0167-00	434922-01	4	4			
9	FAN MOTOR BRACKET	GS	2A0181-01	1	1			
	HEX HEAD BOLT W/WASHER (LF)	5X12	7B0130512	4	4			
10	FAN MOTOR	U90B1 7190-1031	440911-01	1	1			
	SELF LOCKING NUT	NO. 8-32	7N2110832	4	4			
11	FAN BLADE	AD10CW32	444898-01	1	1			
12	DRIER	CW-0325-S	4A1413-01	1	1			
13	DRIER BRACKET	GS	4A0807-01	1	1			
	T2 SCREW	4X8	7P31-0408	2	2			
14	EXP. VALVE	HFE-15 NHD-2	4A1482-01	1	1			
15	EVAPORATOR	-	106492G01	1	1			
	T2 SCREW	4X16, SS	7P32-0416	4	4			
16	HOT GAS VALVE BRACKET	GS	4A1999-01	1	1			
	T2 SCREW	4X8	7P31-0408	2	2			
17	VALVE BODY	70	440352-01	1	1			
18	COIL-VALVE	ABS-25-1-HD-2	440353-01	1	1			
19	BOLT	M4 X 0.7	440353F01	1	1			
	TRUSS HEAD SCREW	4X8	7C31-0408	2	2			

HA

MODEL: KML-600MAH TITLE: B. REFRIGERATION CIRCUIT								
INDEX NO.	DESCRIPTION	MATERIAL OR MODEL NUMBER	PART NUMBER	REQUIRED NUMBER				
				L-0	L-1			
20	PRESSURE SWITCH	ACB-1UB09	433441-07	1	1			
21	PRESSURE SWITCH BRACKET	GS	434938-01	1	1			
	T2 SCREW	4X8	7P31-0408	1	1			
22	COPPER TUBE-HIGH SIDE	COPPER	1A0264G01	1	1			
23	COPPER TUBE (D)-HIGH SIDE	COPPER	4A0991-01	1	1			
24	TEE	COPPER	420041-11	1	1			
25	EVACUATION TUBE	COPPER	4A1212-02	1	1			
26	COPPER TUBE (D2)-HIGH SIDE	COPPER	4A1213-01	1	1			
27	HEAT EXCHANGER	COPPER	1A0256G01	1	1			
28	COPPER TUBE (C) -HOT GAS	COPPER	3A1024-01	1	1			
29	TEE	COPPER	436000-08	1	1			
30	COPPER TUBE (A)-LOW SIDE	COPPER	4A1515-01	1	1			
31	ELBOW	COPPER	417395-03	1	1			
32	ACCESS VALVE-LOW SIDE	-	4A1571G01	1	1			
33	HOLDER / EXP. VALVE-3/8	SS	3A0107-01	1	1			
34	CLAMP	SS	443461-02	1	1			
35	EXP. VALVE COVER	PE FOAM	3A0944-01	1	1			
36	THERMISTOR	-	429006-03	1	1			
37	HOLDER-THERMISTOR	COPPER	427430-01	1	1			
38	INSULATION-THERMISTOR(A)	PE FOAM	439368-01	1	1			
39	INSULATION-THERMISTOR(B)	PE FOAM	439368-02	1	1			
40	INSULATED RUBBER TUBE	-	4A1008G01	1	1			
41	FRAME (A)	GS	2A1153-01	1	1			
	T2 SCREW	4X8	7P31-0408	4	4			
42	FRAME (B)	GS	3A0595-01	1	1			
	T2 SCREW	4X8	7P31-0408	4	4			
	CABLE TIE	CV-200	7920-0010	14	14			
43	INSULATION TUBE	L=125	7762-1030	1	1			
44	INSULATION TUBE	L=300	7762-1330	1	1			
45	INSULATION TUBE	L=200	7762-2943	1	1			

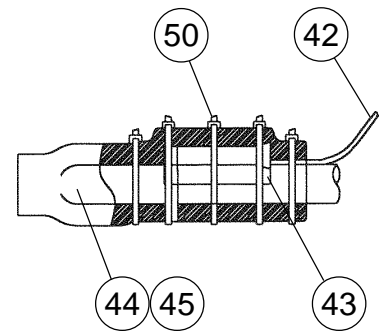
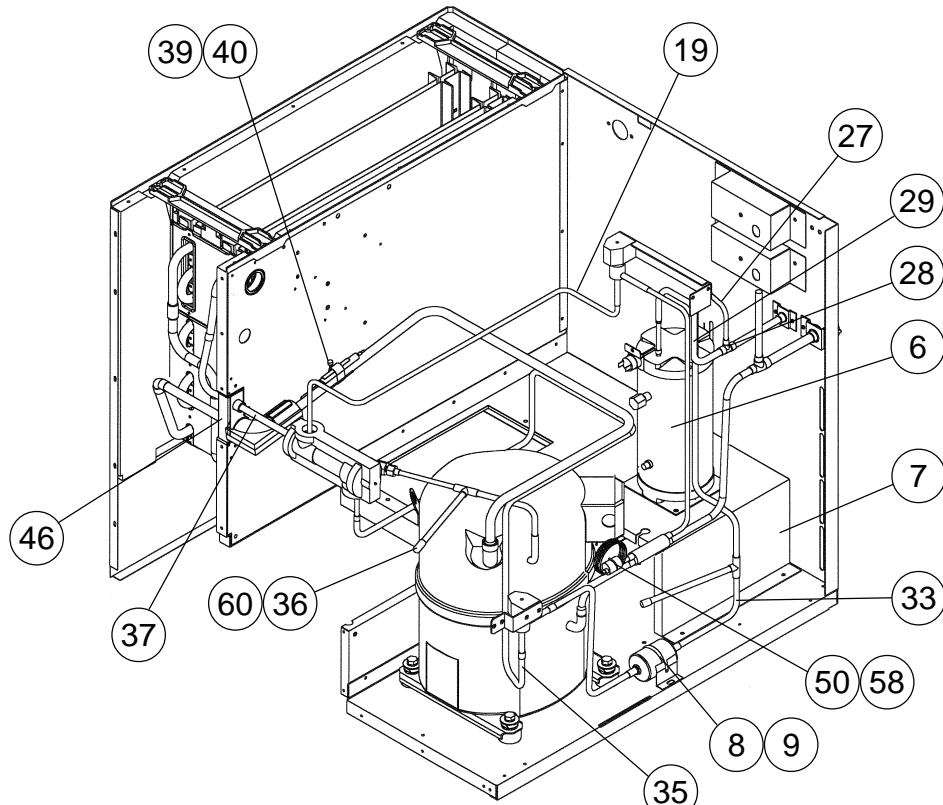


HA

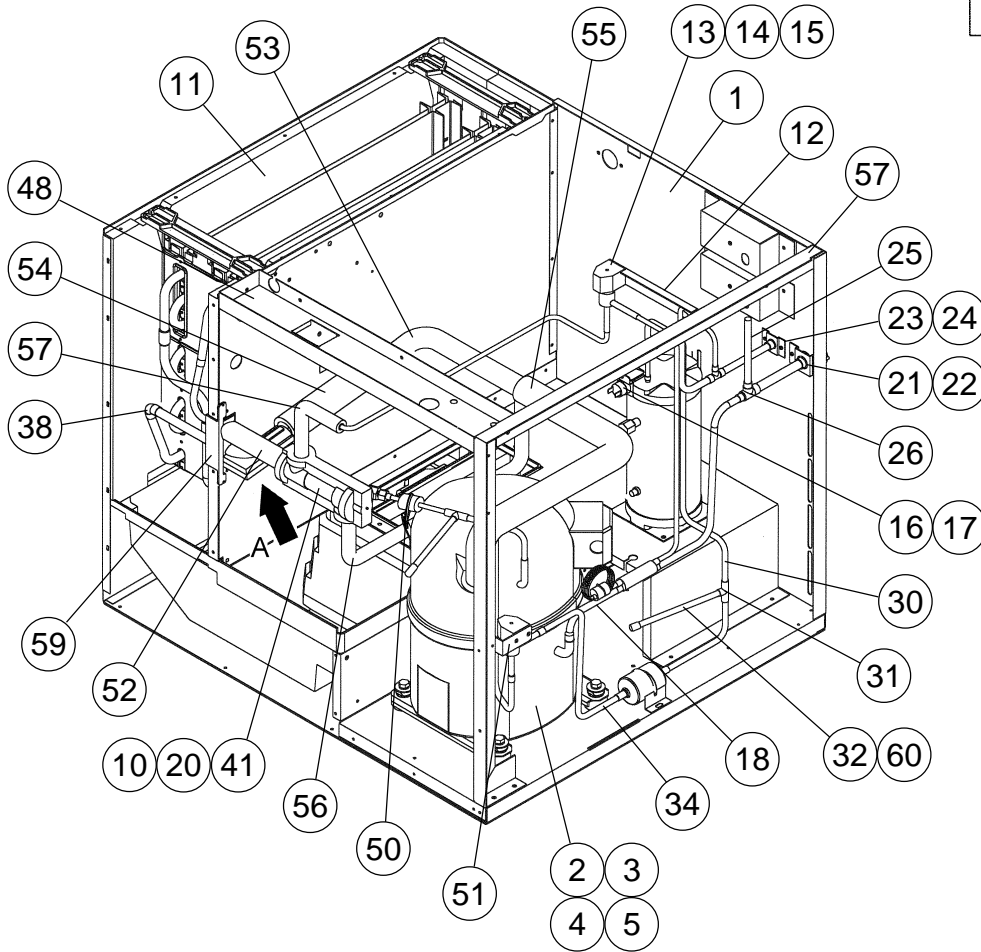
MODEL: KML-600MWH TITLE: B. REFRIGERATION CIRCUIT								
INDEX NO.	DESCRIPTION	MATERIAL OR MODEL NUMBER	PART NUMBER	REQUIRED NUMBER				
				L-0	L-1			
1	REAR PANEL	GS	3A1115G01	1	1			
	T2 SCREW	4X8	7P31-0408	9	9			
2	COMPRESSOR	CS10K6E-PFV-237	4A1539-01	1	1			
3	BOLT	8X45	437889-01	4	4			
4	SPACER	028-0188-02	434921-01	4	4			
5	GROMMET	027-0167-00	434922-01	4	4			
6	CONDENSER – WATER COOLED	H-2 ¼-1	4A1536-02	1	1			
	HEX. HEAD BOLT W/WASHER (LF)	4X12	7B0130512	3	3			
8	COND. SUPPORT	GS	2A0655-01	1	1			
	T2 SCREW	4X8	7P31-0408	4	4			
9	DRIER	CW-0325-S	4A1413-01	1	1			
10	DRIER BRACKET	GS	4A0807-01	1	1			
	T2 SCREW	4X8	7P31-0408	2	2			
11	EXP. VALVE	HFE-15 NHD-2	4A1482-01	1	1			
12	EVAPORATOR	-	106492G01	1	1			
	T2 SCREW	4X16, SS	7P31-0408	4	4			
13	HOT GAS VALVE BRACKET	GS	4A1999-01	1	1			
	T2 SCREW	4X8	7P31-0408	2	2			
14	VALVE BODY	70	440352-01	1	1			
15	COIL – VALVE	ABS-25-1-HD-2	440353-01	1	1			
16	BOLT	M4 X 0.7	440353F01	1	1			
	TRUSS HEAD SCREW	4X8	7C31-0408	2	2			
17	PRESSURE SWITCH	ACB-2UB04	433441-05	1	1			
18	PRESSURE SWITCH BRACKET	GS	434938-01	1	1			
	T2 SCREW	4X8	7P31-0408	1	1			
19	COPPER TUBE-HIGH SIDE	COPPER	3A1114G01	1	1			
20	COPPER TUBE (C) – HOT GAS	COPPER	3A1024-01	1	1			
21	TEE	COPPER	436000-08	1	1			
22	WATER REGULATOR	V46DA-3	4A0911-03	1	1			
23	TRUSS HEAD SCREW	4X6	7C31-0406	2	2			

HA

MODEL: KML-600MWH TITLE: B. REFRIGERATION CIRCUIT								
INDEX NO.	DESCRIPTION	MATERIAL OR MODEL NUMBER	PART NUMBER	REQUIRED NUMBER				
				L-0	L-1			
24	MALE CONNECTOR	BRASS	4A1087-01	1	1			
25	COPPER TUBE-CONDENSER OUTLET	COPPER	4A1634G01	1	1			
26	COPPER TUBE-CONDENSER INLET	COPPER	3A1112G01	1	1			
27	COPPER TUBE (D1) – HIGH SIDE	COPPER	4A1654-01	1	1			
28	TEE	COPPER	436000-06	1	1			
29	COPPER TUBE (D2) – HIGH SIDE	COPPER	4A1649-01	1	1			
30	COPPER TUBE (D3) – HIGH SIDE	COPPER	4A1648-01	1	1			
31	TEE	COPPER	420041-11	1	1			
32	EVACUATION TUBE	COPPER	4A1212-02	1	1			
33	HEAT EXCHANGER	COPPER	1A0256G01	1	1			
34	ACCESS VALVE-LOW SIDE	COPPER	4A1571G01	1	1			
35	COPPER TUBE (A) – LOW SIDE	COPPER	4A1515-01	1	1			
36	ELBOW	COPPER	417395-03	1	1			
37	HOLDER/EXP. VALVE-3/8	SS	3A0107-01	1	1			
38	CLAMP	SS	443461-02	1	1			
39	EXP. VALVE COVER	PE FOAM	3A0944-01	1	1			
40	THERMISTOR	-	429006-03	1	1			
41	HOLDER-THERMISTOR	COPPER	427430-01	1	1			
42	INSULATION-THERMISTOR (A)	PE FOAM	439368-01	1	1			
43	INSULATION-THERMISTOR (B)	PE FOAM	439368-02	1	1			
44	INSULATED RUBBER TUBE	-	4A1008G01	1	1			
45	FRAME (A)	GS	2A1153-01	1	1			
	T2 SCREW	4X8	7P31-0408	4	4			
46	FRAME (B)	GS	3A0595-01	1	1			
	T2 SCREW	4X8	7P31-0408	4	4			
47	CABLE TIE	CV-200	7920-0010	14	14			
48	INSULATION TUBE	L=125	7762-1030	1	1			
49	INSULATION TUBE	L=300	7762-1330	1	1			
50	INSULATION TUBE	L=200	7762-2943	1	1			
51	INSULATION TUBE	L=570	7762-2040	1	1			



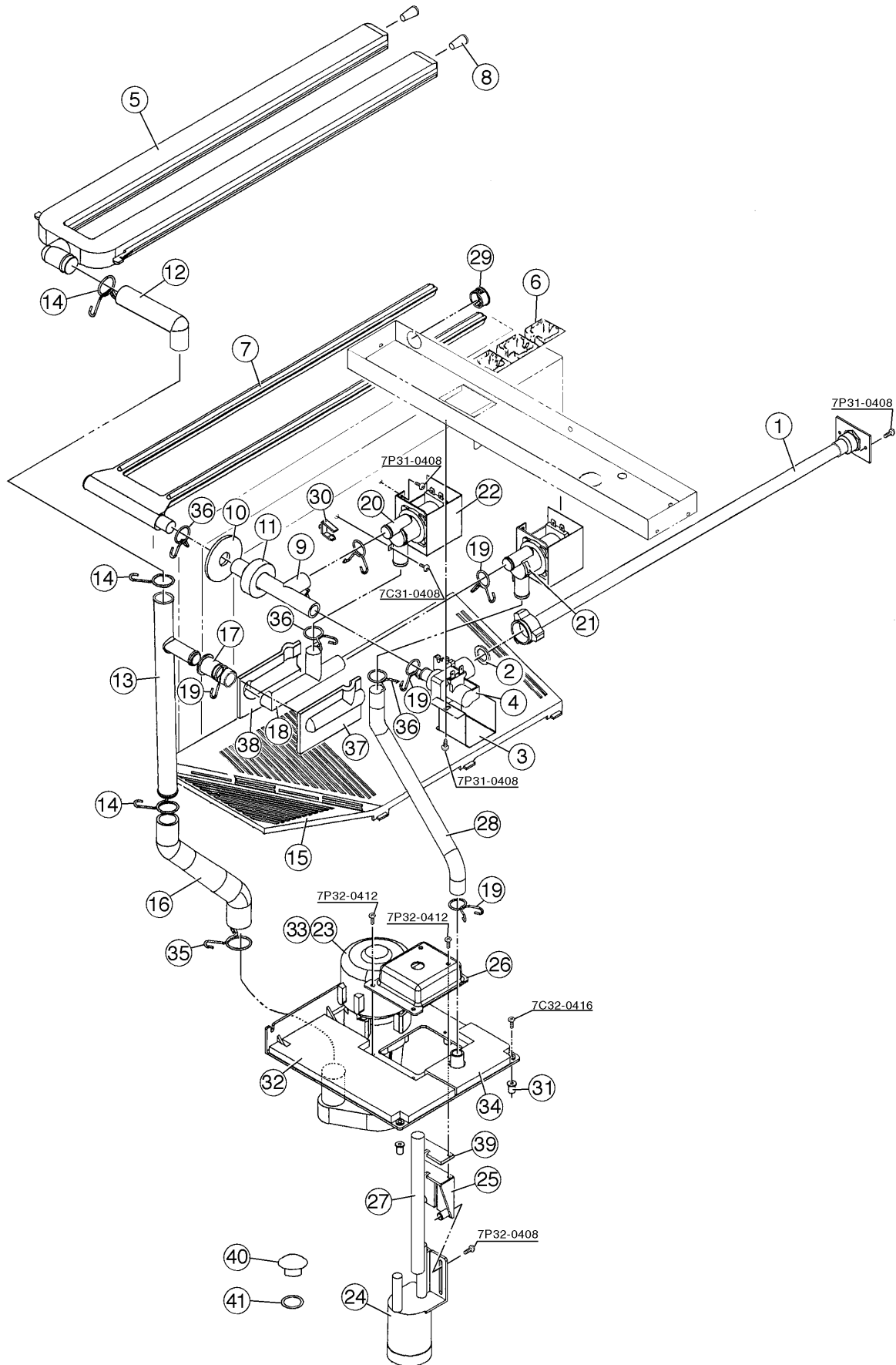
DETAIL A



HA

MODEL: KML-600MRH TITLE: B. REFRIGERATION CIRCUIT								
INDEX NO.	DESCRIPTION	MATERIAL OR MODEL NUMBER	PART NUMBER	REQUIRED NUMBER				
				L-0	L-1			
1	REAR PANEL	GS	3A1068G01	1	1			
	T2 SCREW	4X8	7P31-0408	9	9			
2	COMPRESSOR	CS10K6E-PFV-279	4A1539-02	1	1			
3	BOLT	8X45	437889-01	4	4			
4	SPACER	028-0188-02	434921-01	4	4			
5	GROMMET	027-0167-00	434922-01	4	4			
6	RECEIVER TANK	RRMNWP450	437652-01	1	1			
	HEX. HEAD BOLT W/WASHER (LF)	5X10	7B0130510	3	3			
7	COND. SUPPORT	GS	2A0655-02	1	1			
	T2 SCREW	4X8	7P31-0408	4	4			
8	DRIER	CW-0325-S	4A1413-01	1	1			
9	DRIER BRACKET	GS	4A0807-01	1	1			
	T2 SCREW	4X8	7P31-0408	2	2			
10	EXP. VALVE	HFE-15 NHD-2	4A1482-01	1	1			
11	EVAPORATOR	-	106492G01	1	1			
	T2 SCREW	4X16, SS	7P32-0416	4	4			
12	HOT GAS VALVE BRACKET	GS	4A1999-01	1	1			
	T2 SCREW	4X8	7P31-0408	2	2			
13	VALVE BODY	70	440352-01	2	2			
14	COIL-VALVE	ABS-25-1-HD-2	440353-01	2	2			
15	BOLT	M4 X 0.7	440353F01	2	2			
	TRUSS HEAD SCREW	4X8	7C31-0408	4	4			
16	PRESSURE SWITCH	ACB-1UB09	433441-07	1	1			
17	PRESSURE SWITCH BRACKET	GS	434938-01	1	1			
	T2 SCREW	4X8	7P31-0408	1	1			
18	COPPER TUBE-HIGH SIDE	COPPER	1A0265G01	1	1			
19	COPPER TUBE (C) – HOT GAS	COPPER	3A1024-01	1	1			
20	TEE	COPPER	436000-08	1	1			
21	COUPLING	BRASS	434136G01	1	1			
22	TUBE HOLDER-L	GS	438245-01	1	1			

MODEL: KML-600MRH TITLE: B. REFRIGERATION CIRCUIT								
INDEX NO.	DESCRIPTION	MATERIAL OR MODEL NUMBER	PART NUMBER	REQUIRED NUMBER				
				L-0	L-1			
	T2 SCREW	4X8	7P31-0408	2	2			
23	COUPLING	BRASS	433751G01	1	1			
24	TUBE HOLDER-S	GS	438246-01	1	1			
	T2 SCREW	4X8	7P31-0408	2	2			
25	COPPER TUBE (B1)-HIGH SIDE	COPPER	4A1575-01	1	1			
26	TEE	COPPER	436000-09	1	1			
27	COPPER TUBE (C)-HIGH SIDE	COPPER	4A1521-01	1	1			
28	TEE	COPPER	436000-02	1	1			
29	COPPER TUBE (C2)-HIGH SIDE	COPPER	4A1574-01	1	1			
30	COPPER TUBE (D)-HIGH SIDE	COPPER	4A1523-01	1	1			
31	TEE	COPPER	420041-11	1	1			
32	EVACUATION TUBE	COPPER	4A1212-02	1	1			
33	COPPER TUBE (E)-HIGH SIDE	COPPER	4A1534-01	1	1			
34	COPPER TUBE (F)-HIGH SIDE	COPPER	4A1573-01	1	1			
35	HEAT EXCHANGER	COPPER	1A0257G01	1	1			
36	ACCESS VALVE-LOW SIDE	COPPER	4A1571G01	1	1			
37	COPPER TUBE (A)-LOW SIDE	COPPER	4A1515-01	1	1			
38	ELBOW	COPPER	417395-03	1	1			
39	HOLDER/EXP. VALVE – 3/8	SS	3A0107-01	1	1			
40	CLAMP	SS	443461-02	1	1			
41	EXP. VALVE COVER	PE FOAM	3A0944-01	1	1			
42	THERMISTOR	-	429006-03	1	1			
43	HOLDER-THERMISTOR	COPPER	427430-01	1	1			
44	INSULATION-THERMISTOR (A)	PE FOAM	439368-01	1	1			
45	INSULATION-THERMISTOR (B)	PE FOAM	439368-02	1	1			
46	INSULATED RUBBER TUBE	-	4A1008G01	1	1			
47	FRAME (A)	GS	2A1153-01	1	1			
	T2 SCREW	4X8	7P31-0408	4	4			
48	FRAME (B)	GS	3A0595-01	1	1			
	T2 SCREW	4X8	7P31-0408	4	4			

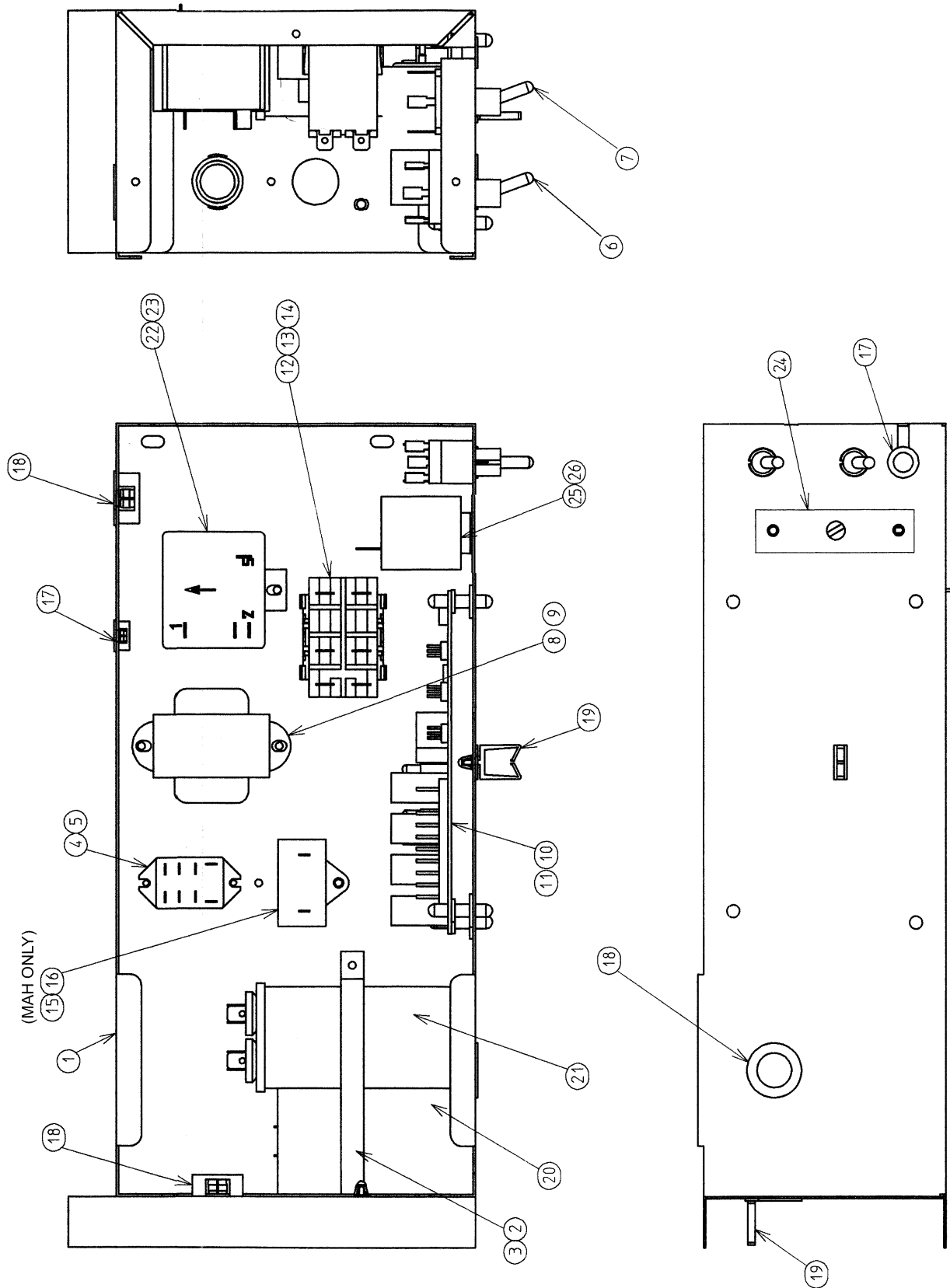


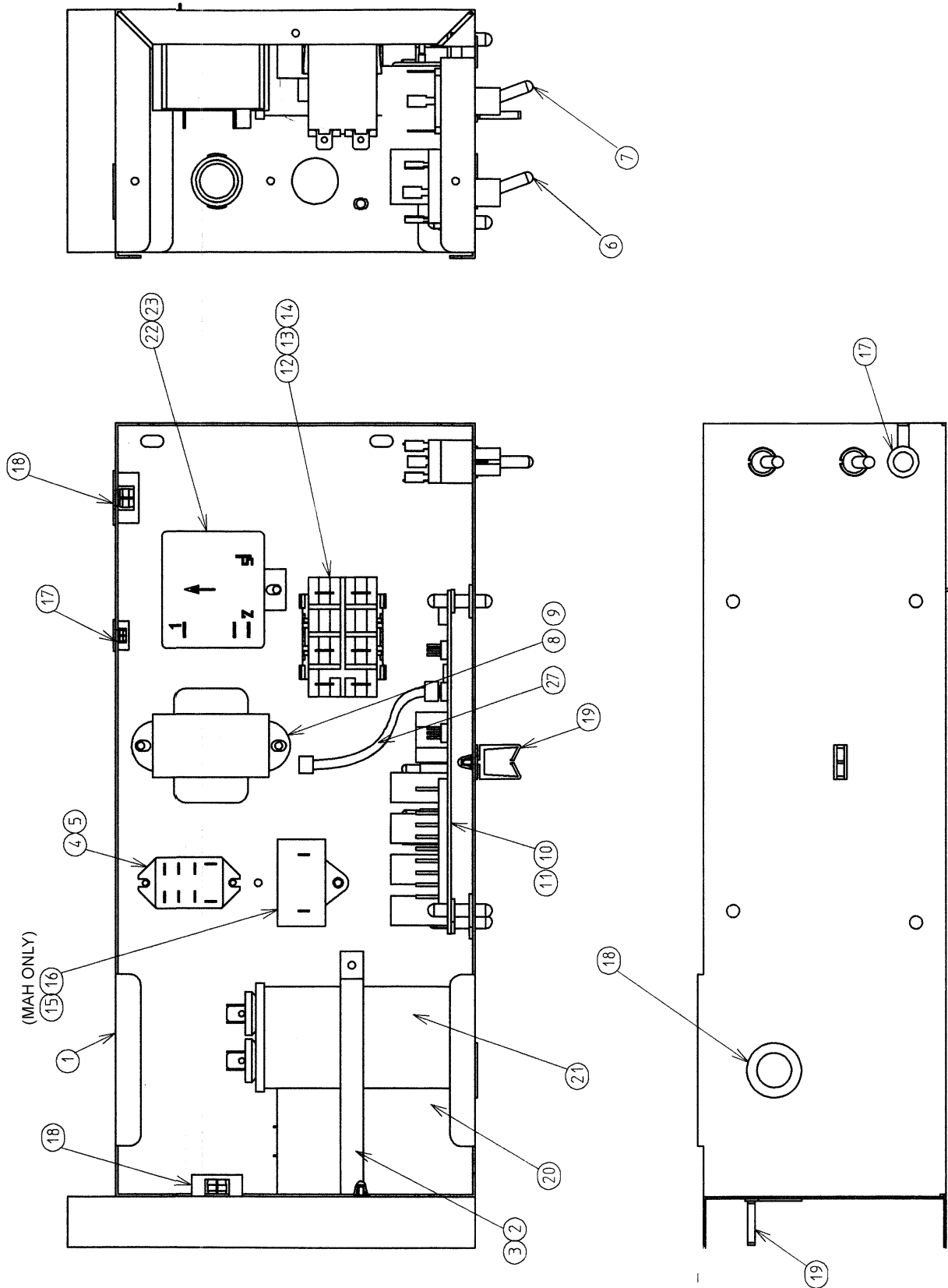
HA

MODEL: KML-600MAH, MWH, MRH TITLE: C. WATER CIRCUIT								
INDEX NO.	DESCRIPTION	MATERIAL OR MODEL NUMBER	PART NUMBER	REQUIRED NUMBER				
				L-0	L-1			
1	WATER SUPPLY PIPE	COPPER	4A0768G04	1	1			
	T2 SCREW	4 X 8	7P31-0408	2	2			
2	RUBBER GASKET	NR	413854-03	1	1			
3	WATER VALVE BRACKET	GS	321443-01	1	1			
	T2 SCREW	4 X 8	7P31-0408	1	1			
4	WATER VALVE	J248-033	3U0111-03	1	1			
5	SPRAY TUBE	PE	1A0260-02	1	1			
6	SPRAY GUIDE (A)	PE	208586-01	6	6			
7	WATER SUPPLY TUBE	PE	2A0079-01	1	1			
8	PLUG	EPDM	4A0176-01	2	2			
9	WATER SUPPLY TEE	SANTOPRENE	4A1006-01	1	1			
10	FLANGE	EPDM	439267-01	1	1			
11	INSULATION (E)	PE FOAM	4A0392-01	1	1			
12	ELBOW	SANTOPRENE	4A0393-01	1	1			
13	CONNECTING PIPE	PE	3A1335-02	1	1			
14	HOSE CLAMP	SS, 25 mm	427443-03	3	3			
15	CUBE GUIDE (A)	ABS	2A0660-01	1	1			
16	PUMP HOSE	EPDM	4A1007-01	1	1			
17	RUBBER RING	EPDM	4A1004-01	1	1			
18	BYPASS HOSE	SANTOPRENE	4A1005-01	1	1			
19	HOSE CLAMP	SS, 18 mm	427443-05	5	5			
20	SOLENOID VALVE	207CB-GS1873	439322-01	2	2			
	TRUSS HEAD SCREW	4 X 8	7C31-0408	4	4			
21	ARROW LABEL	PES	4A0096-01	1	1			
22	SOLENOID COVER	GS	4A0996-01	2	2			
	T2 SCREW	4 X 8	7P31-0408	4	4			
23	PUMP	SP-BG14LEJ16	2A0749-01	1	1			
	TRUSS HEAD SCREW	4X16, SS	7C32-0416	4	4			

HA

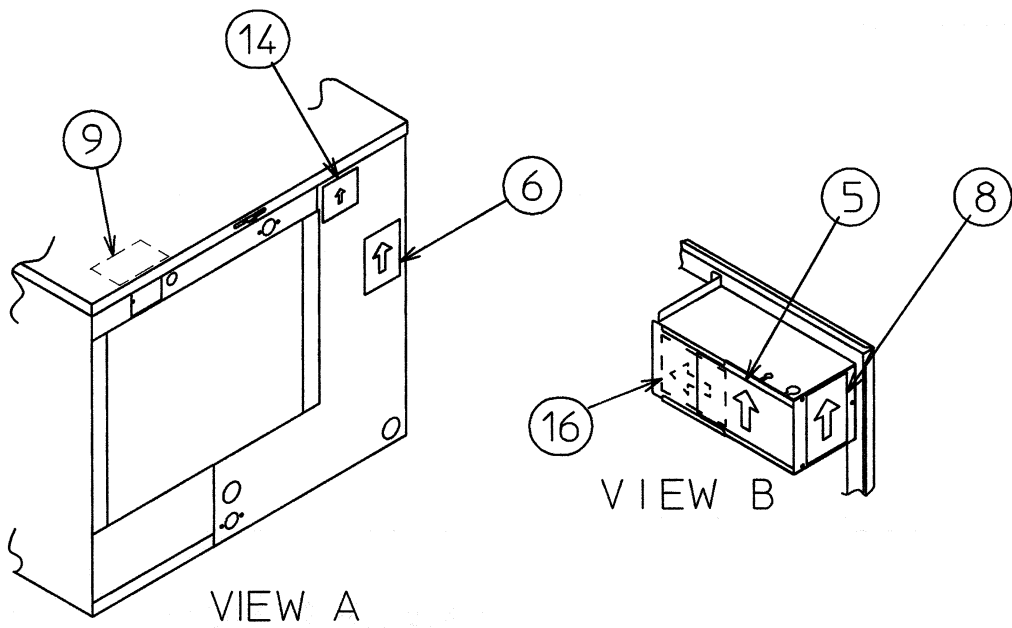
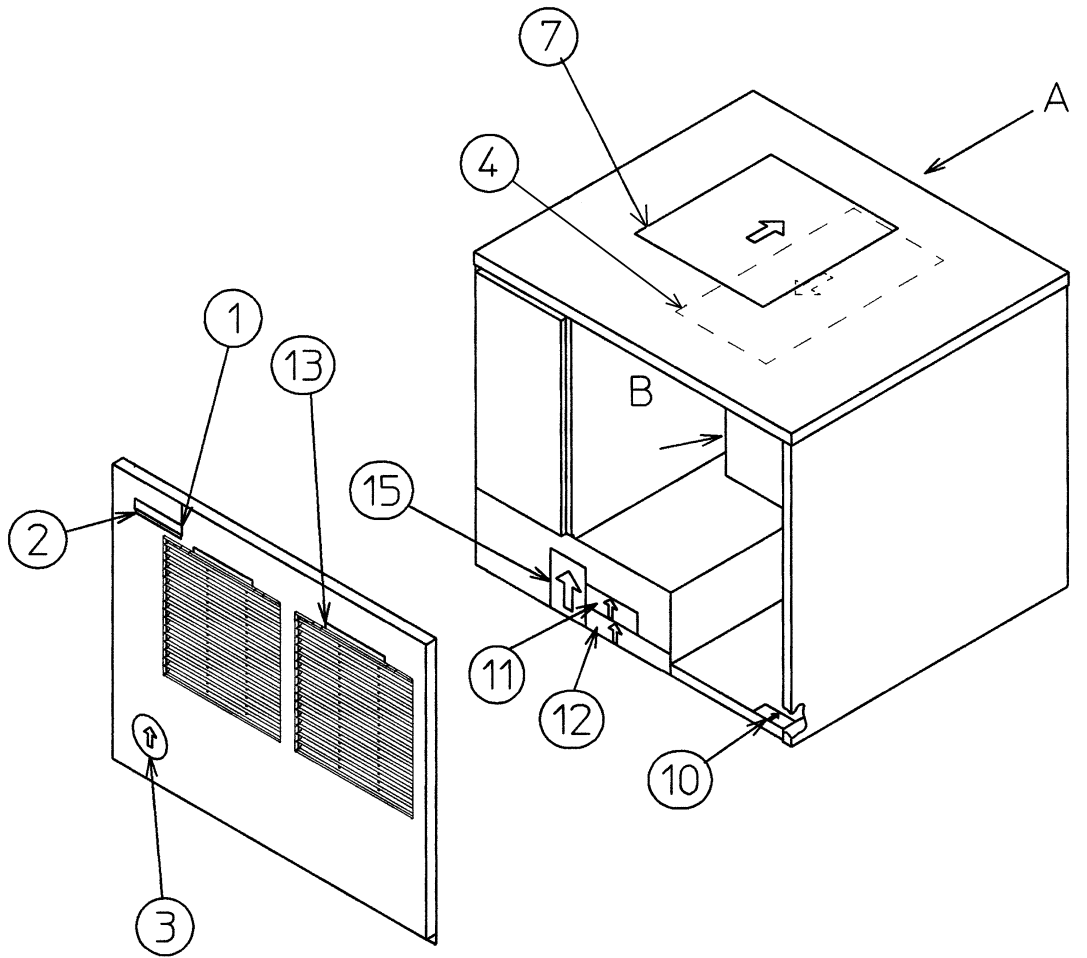
MODEL: KML-600MAH, MWH, MRH TITLE: C. WATER CIRCUIT								
INDEX NO.	DESCRIPTION	MATERIAL OR MODEL NUMBER	PART NUMBER	REQUIRED NUMBER				
				L-0	L-1			
24	FLOAT SWITCH	163795	4A0886-01	1	1			
	T2 SCREW	4 X 8, SS	7P32-0408	2	2			
25	FLOAT SWITCH BRACKET	ABS	327757-01	1	1			
	T2 SCREW	4 X 12, SS	7P32-0412	2	2			
26	FLOAT SWITCH COVER	ABS	3A0665-01	1	1			
	T2 SCREW	4 X 8, SS	7P32-0408	3	3			
27	VINYL HOSE	L=150	7716-1216	1	1			
28	VINYL HOSE	L=370	7716-1519	1	1			
29	BUSHING	OCB-875	428394-04	1	1			
30	WIRE SADDLE	VWS4238-C	4A0338-02	8	8			
31	WELL NUT	347011	4A1070-01	2	2			
32	INSULATION (A) - PUMP BRACKET	PE FOAM	4A1052-01	1	1			
33	TOOTH WASHER	ZINC, M4	7R21-0400	1	1			
	T2 SCREW	4 X 8	7P31-0408	1	1			
34	INSULATION (B) - PUMP BRACKET	PE FOAM	4A1053-01	1	1			
35	HOSE CLAMP	SS, 27 mm	427443-08	1	1			
36	HOSE CLAMP	SS, 20 mm	427443-06	3	3			
37	INSULATION (A1) - BYPASS HOSE	NP	4A1259-01	1	1			
38	INSULATION (A2) - BYPASS HOSE	NP	4A1260-01	1	1			
39	FLOAT SWITCH SPACER	ABS	4A0650-01	1	1			
40	DRAIN	POLYACETAL	309246-01	1	1			
41	O-RING	1AP15	7611-P015	1	1			

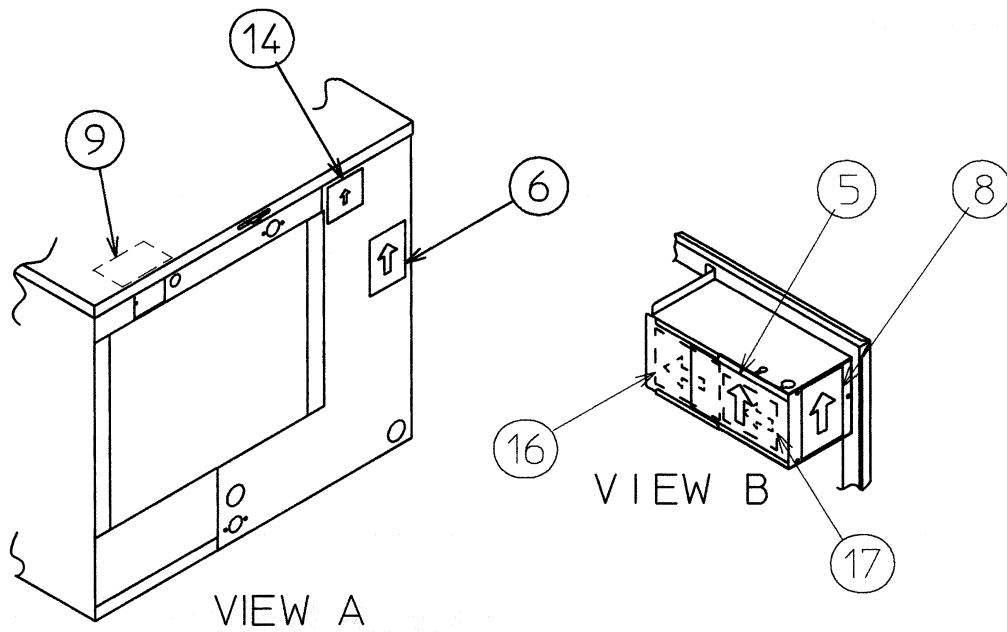
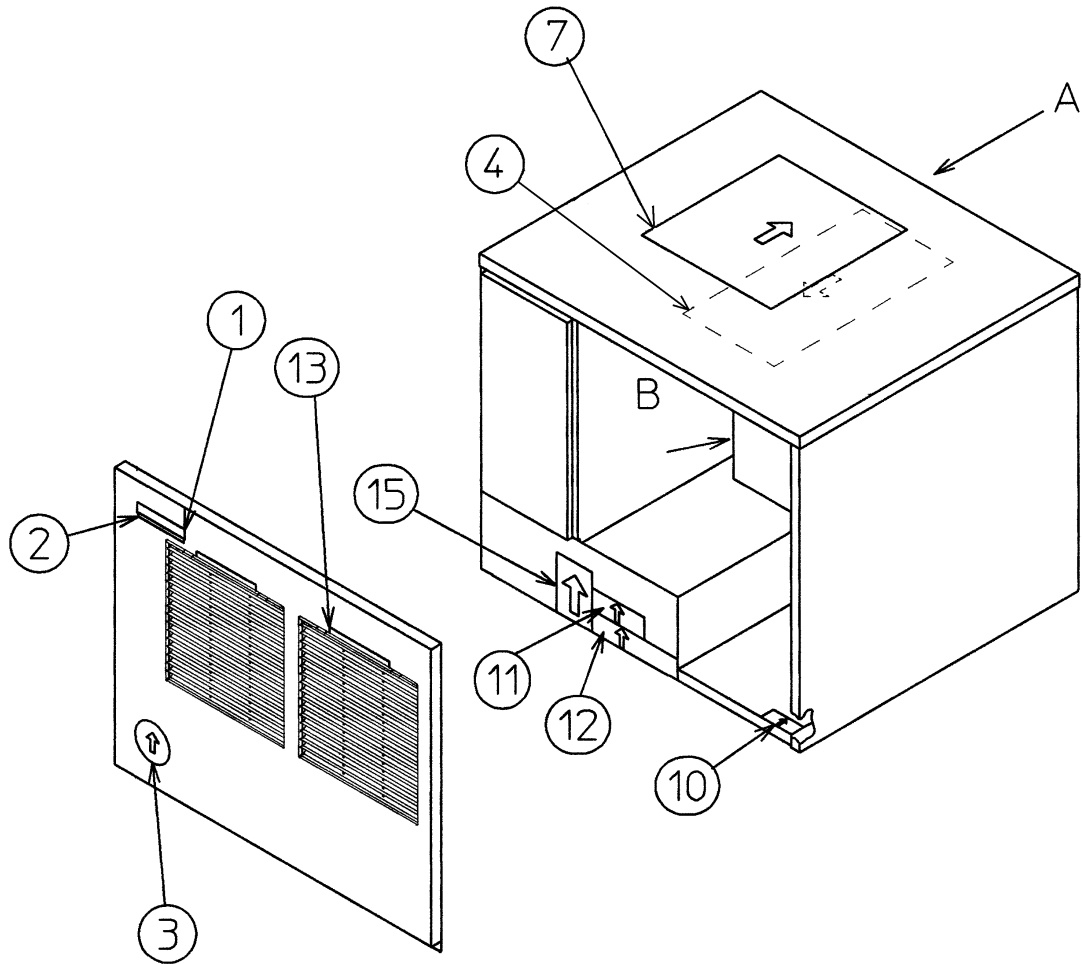




HA

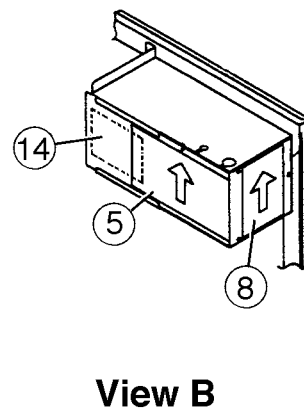
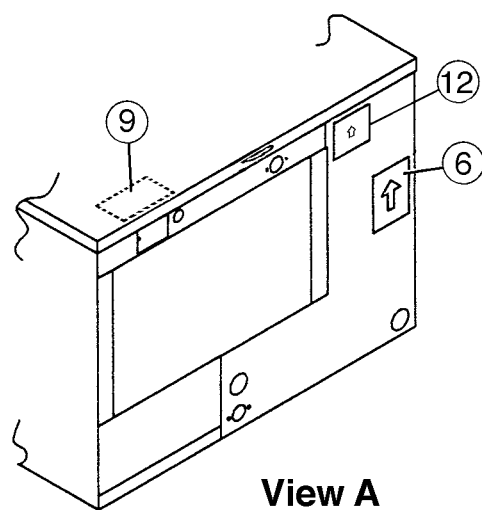
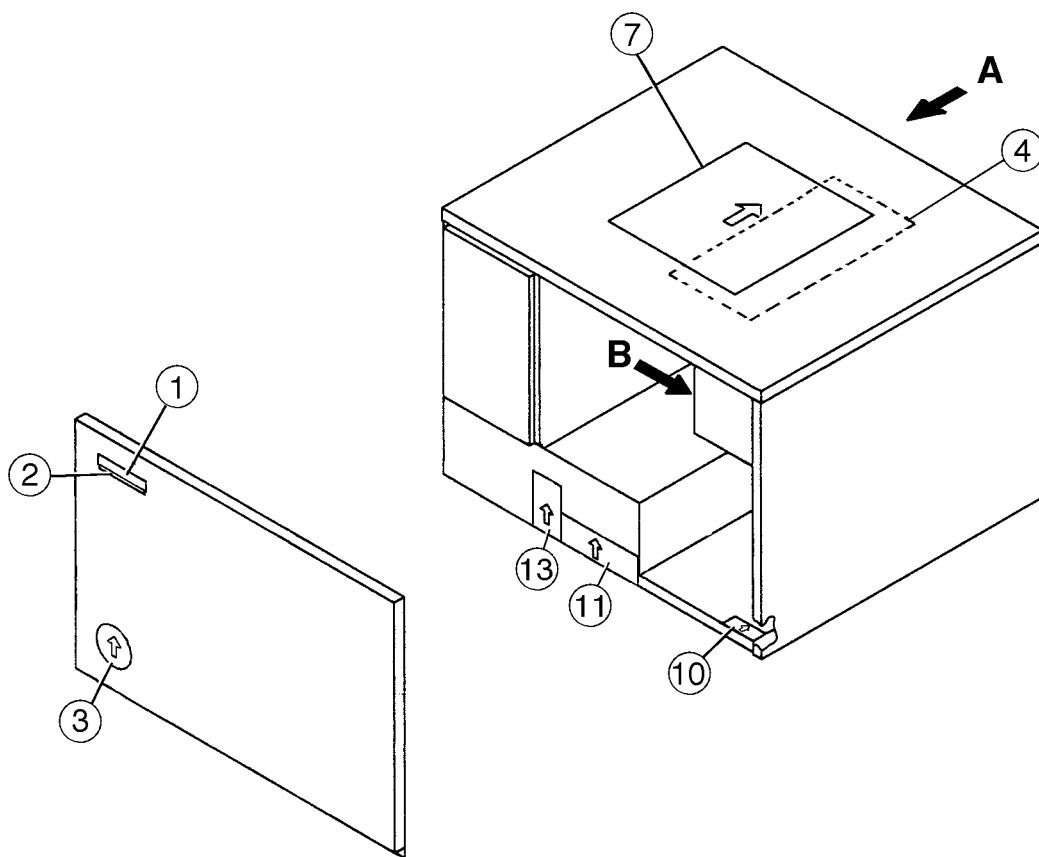
MODEL: KML-600MAH, MWH, MRH TITLE: D. CONTROL BOX ASSEMBLY								
INDEX NO.	DESCRIPTION	MATERIAL OR MODEL NUMBER	PART NUMBER	REQUIRED NUMBER				
				L-0	L-1			
1	CONTROL BOX	GS	3A1824G01	1	-			
		GS	3A1989G01		1			
2	STRAP	GS	434580-17	1	-			
		GS	4A2262-03		1			
3	T2 SCREW	4 X 8	7P31-0408	1	1			
4	RELAY	LY2F 120 VAC	406132-07	1	1			
5	TAPPING SCREW	3X8	431415-01	2	2			
6	TOGGLE SWITCH	7563K6	443119-01	1	1			
7	TOGGLE SWITCH	8966K211	4A0985-01	1	1			
8	TRANSFORMER	26D285H	3A0172-01	1	1			
9	T2 SCREW	4 X 8	7P31-0408	2	2			
10	CONTROLLER BOARD	HOS-001A	2A1410-01	1	1			
11	BOARD SUPPORT	CBL537-M	4A0336-03	4	4			
12	MAGNETIC CONTACTOR	VC20	428393-01	1	1			
13	BRACKET	BW 9154	428393F01	1	1			
14	T2 SCREW	4 X 8	7P31-0408	2	2			
15	CAPACITOR (MAH ONLY)	5µf 250 VAC	443192-02	1	1			
16	T2 SCREW (MAH ONLY)	4 X 8	7P31-0408	1	1			
17	BUSHING	OCB-500	428394-02	2	2			
18	BUSHING	OCB-875	428394-04	3	3			
19	WIRE SADDLE	VWS4238-C	4A0338-03	2	2			
20	CAPACITOR	30µf 370 VAC	4A1631-02	1	-			
	CAPACITOR – RUN	30µf 370 VAC	3A2005-03		1			
21	CAPACITOR - STARTING	145-174µf 22VAC	3A0076-11	1	1			
22	STARTER	3ARR3CT24S5	4A1107-13	1	1			
23	T2 SCREW	4 X 8	7P31-0408	1	1			
24	THERMOSTAT	A30-3815-00	4A0824-01	1	-			
25	TRUSS HEAD SCREW	4 X 8	7C31-0408	2	-			
26	CONTROL LABEL	PES FILM	4A1758-01	1	-			
27	RESISTOR WIRE HARNESS	-	4A2200G02		1			

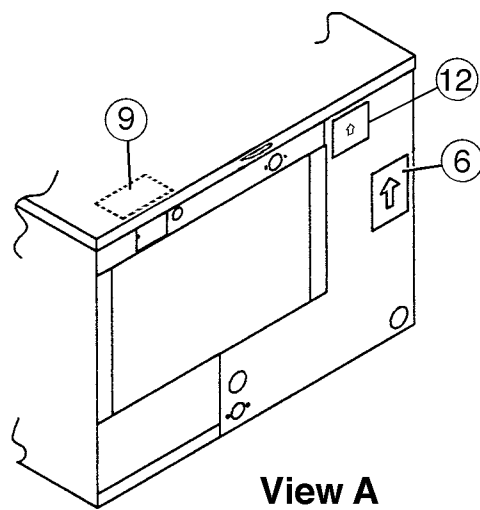
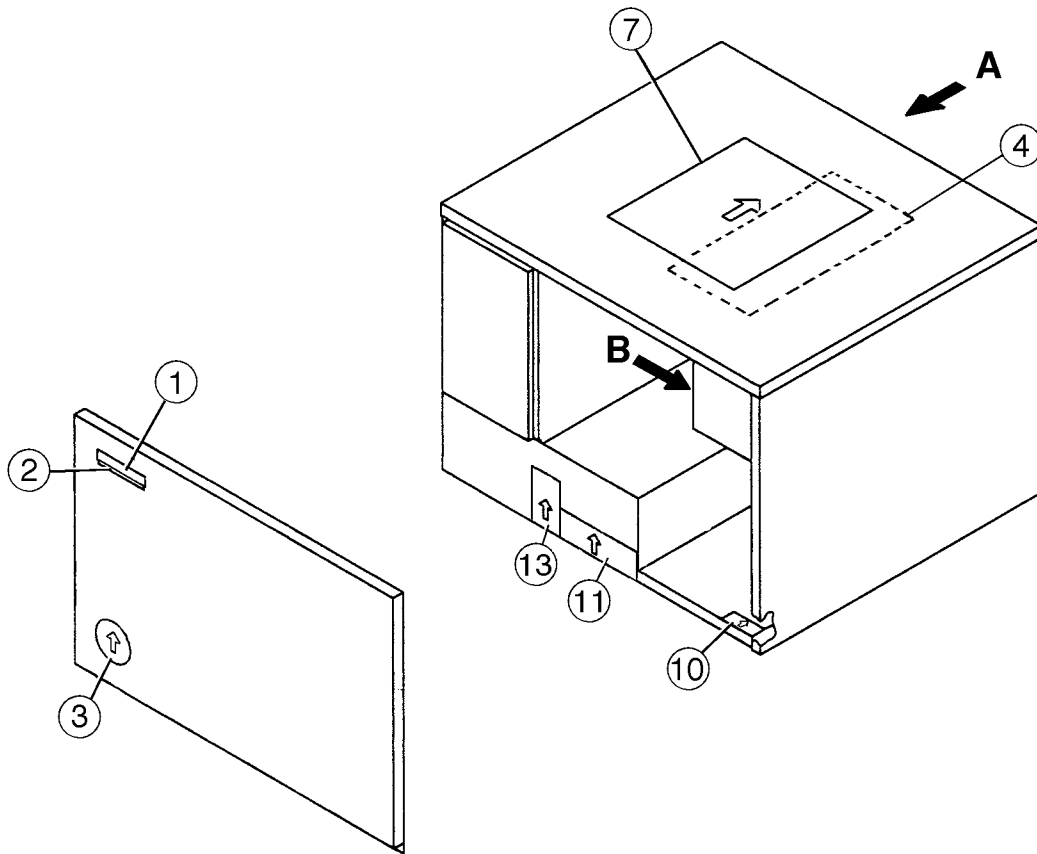




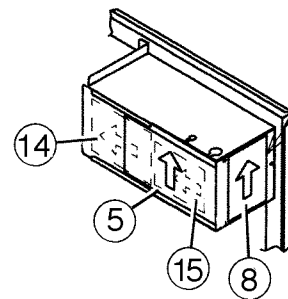
HA

MODEL: KML-600MAH TITLE: E. LABEL LOCATION								
INDEX NO.	DESCRIPTION	MATERIAL OR MODEL NUMBER	PART NUMBER	REQUIRED NUMBER				
				L-0	L-1			
1	EMBLEM	PETP FILM	4A0560-01	1	1			
2	MODEL NUMBER LABEL	PETP FILM	4A2356-10	1	1			
3	LABEL - PENGUIN - HA (R)	PETP FILM	4A0526-01	1	1			
4	MAINTENANCE LABEL	PVC FILM	3A2383-01	1	-			
		-	3A1873-01		1			
5	WIRING LABEL	PVC FILM	3A1073-01	1	-			
		-	3A2041-01		1			
6	NAMEPLATE	PES FILM	4A2379-01	1	1			
7	INSTRUCTION SHEET	PAPER	2A2156-01	1	1			
8	MANUAL LABEL	PVC FILM	4A1090-01	1	-			
		-	4A2549-01		1			
9	TAG - WARNING: ELECTRICAL CONNECTION	PAPER	428430-01	1	1			
10	LABEL - R404A	PES FILM	4A0960-01	1	1			
11	CAUTION LABEL (F)	PVC FILM	439146-01	1	1			
12	CAUTION LABEL (K)	PVC FILM	439150-01	1	1			
13	LABEL - AIR FILTER	PETP FILM	426177-01	1	1			
14	INSTRUCTION LABEL	PVC FILM	444575-01	1	1			
15	RATING LABEL	PES FILM	4A2384-01	1	1			
16	LABEL – CONTROL BOARD	PVC FILM	3A1272-01	1	1			
17	LABEL (B) – CONTROL BOARD	-	4A2528-01		1			





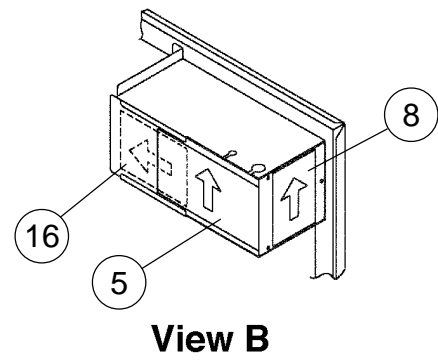
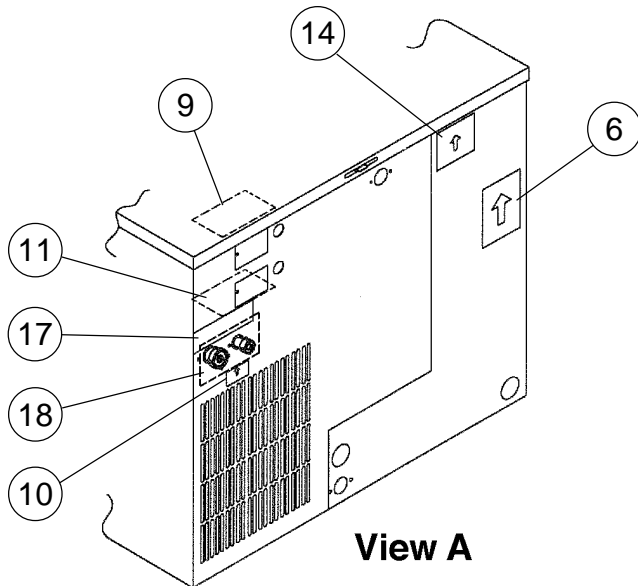
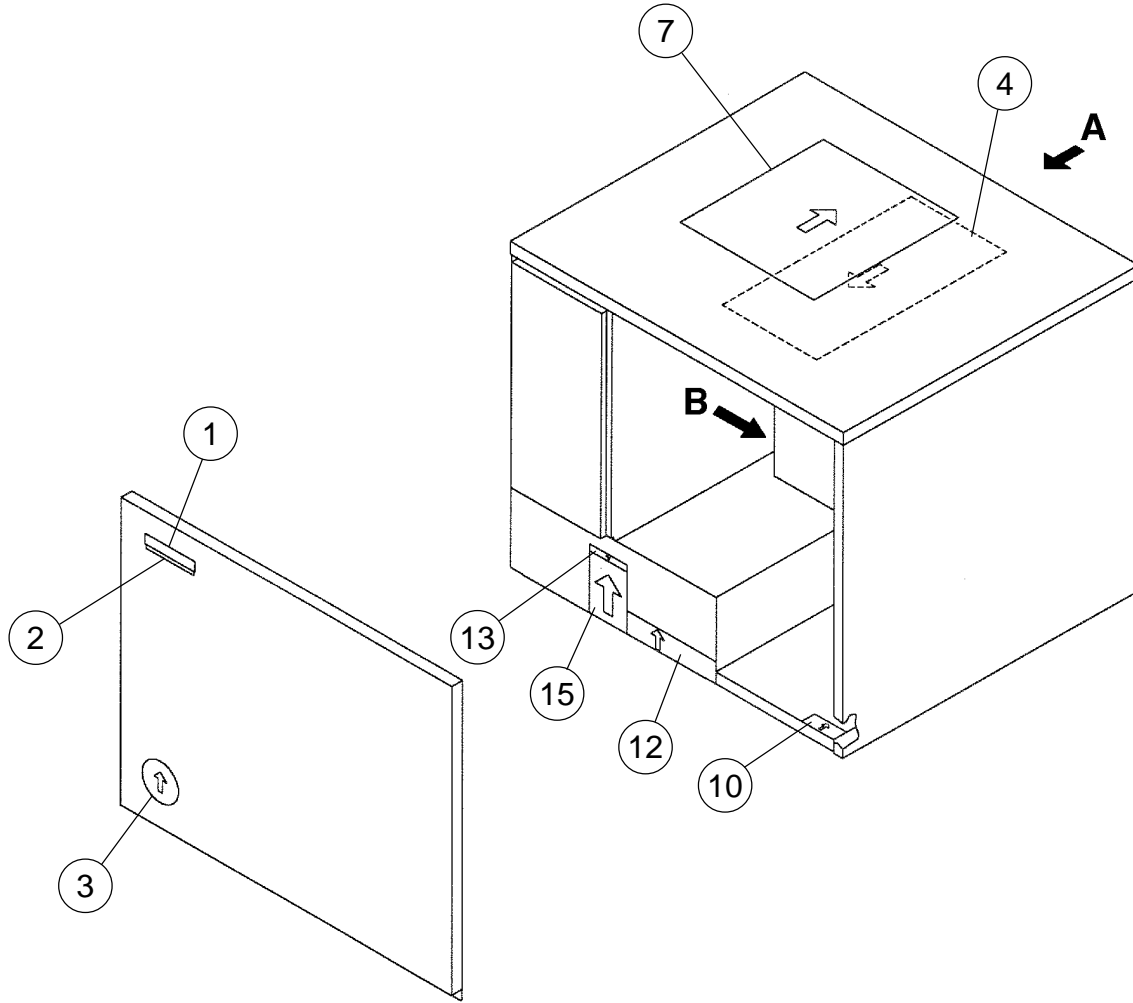
View A

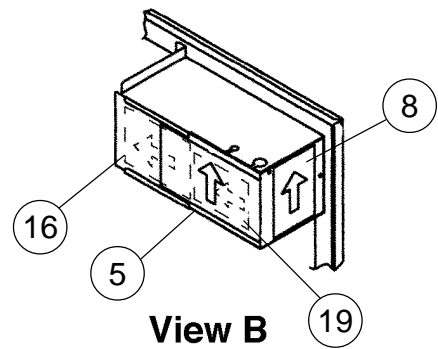
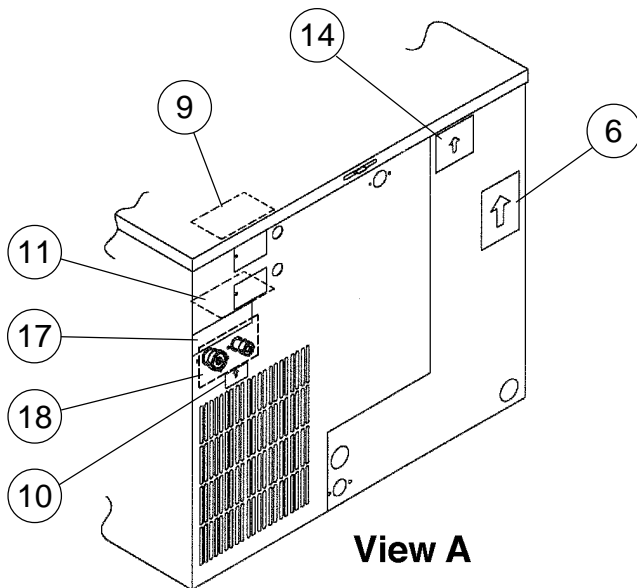
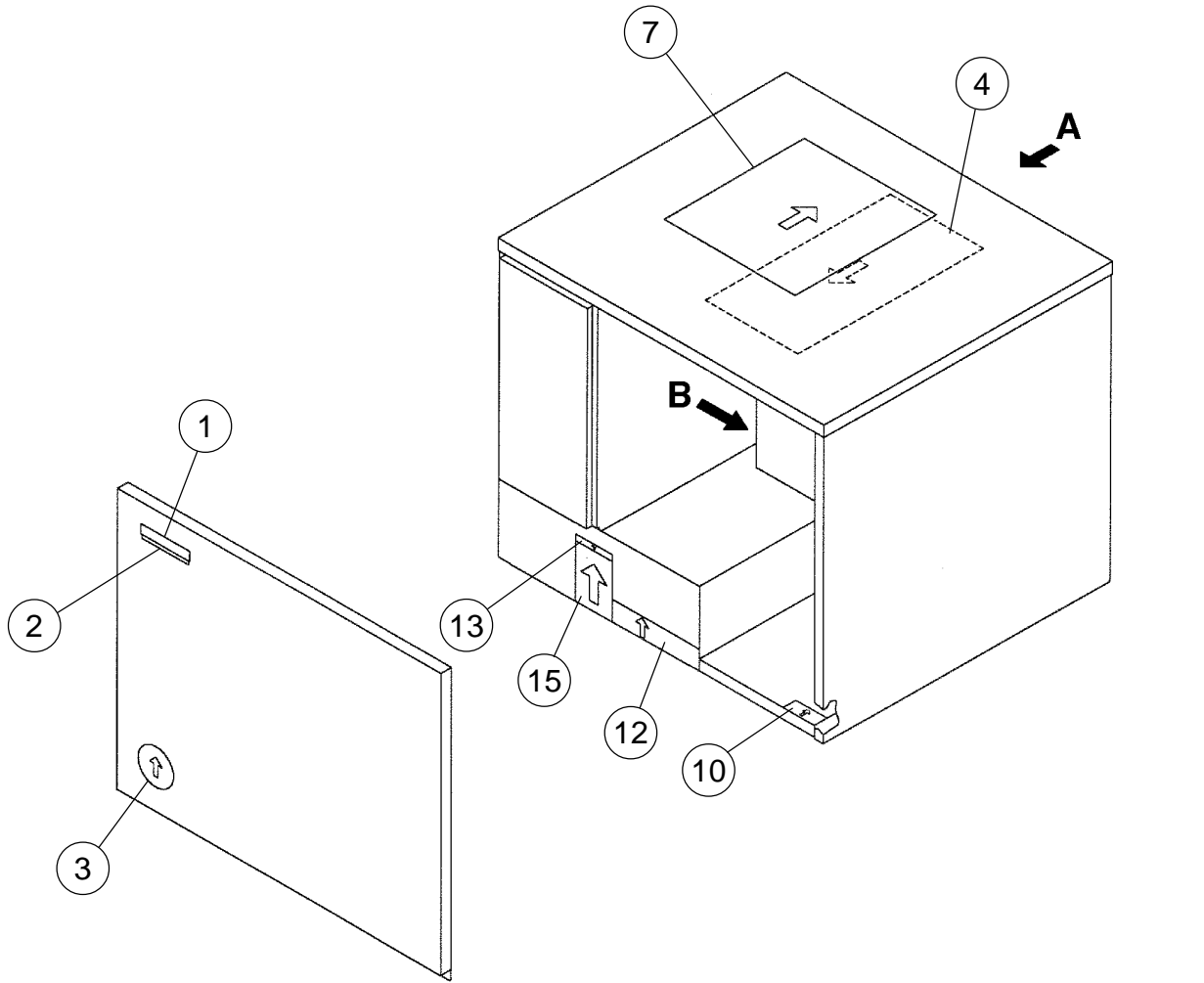


View B

HA

MODEL: KML-600MWH TITLE: E. LABEL LOCATION								
INDEX NO.	DESCRIPTION	MATERIAL OR MODEL NUMBER	PART NUMBER	REQUIRED NUMBER				
				L-0	L-1			
1	EMBLEM	PETP FILM	4A0560-01	1	1			
2	MODEL NUMBER LABEL	PETP FILM	4A2356-12	1	1			
3	LABEL - PENGUIN - HA (R)	PETP FILM	4A0526-01	1	1			
4	MAINTENANCE LABEL	PVC FILM	3A2383-01	1	-			
		-	3A1873-01		1			
5	WIRING LABEL	PVC FILM	3A1073-01	1	-			
		-	3A2041-01		1			
6	NAMEPLATE	PES FILM	4A2380-01	1	1			
7	INSTRUCTION SHEET	PAPER	2A2156-01	1	1			
8	MANUAL LABEL	PVC FILM	4A1090-01	1	-			
		-	4A2549-01		1			
9	TAG - WARNING: ELECTRICAL CONNECTION	PAPER	428430-01	1	1			
10	LABEL - R404A	PES FILM	4A0960-01	1	1			
11	CAUTION LABEL (K)	PVC FILM	439150-01	1	1			
12	INSTRUCTION LABEL	PVC FILM	444575-01	1	1			
13	RATING LABEL	PES	4A2385-01	1	1			
14	LABEL – CONTROL BOARD	PVC FILM	3A1272-01	1	1			
15	LABEL (B) – CONTROL BOARD	-	4A2528-01		1			





HA

MODEL: KML-600MRH TITLE: E. LABEL LOCATION								
INDEX NO.	DESCRIPTION	MATERIAL OR MODEL NUMBER	PART NUMBER	REQUIRED NUMBER				
				L-0	L-1			
1	EMBLEM	PETP FILM	4A0560-01	1	1			
2	MODEL NUMBER LABEL	PETP FILM	4A2356-11	1	1			
3	LABEL - PENGUIN - HA (R)	PETP FILM	4A0526-01	1	1			
4	MAINTENANCE LABEL	PVC FILM	3A2383-01	1	-			
		-	3A1873-01		1			
5	WIRING LABEL	PVC FILM	3A1073-01	1	-			
		-	3A2041-01		1			
6	NAMEPLATE	PES FILM	4A2381-01	1	1			
7	INSTRUCTION SHEET	PAPER	2A2156-01	1	1			
8	MANUAL LABEL	PVC FILM	4A1090-01	1	-			
		-	4A2549-01		1			
9	TAG - WARNING: ELECTRICAL CONNECTION	PAPER	428430-01	1	1			
10	LABEL - R404A	PES FILM	4A0960-01	1	1			
11	TAG-FAN MOTOR LEADS	PAPER	4A1494-01	1	1			
12	CAUTION LABEL (K)	PVC FILM	439150-01	1	1			
13	LABEL CHARGE	PVC FILM	4A1399-11	1	1			
14	INSTRUCTION LABEL	PVC FILM	444575-01	1	1			
15	RATING LABEL	PES	4A2386-01	1	1			
16	LABEL – CONTROLLER BOARD	PVC FILM	3A1272-01	1	1			
17	CAUTION-REMOTE LABEL	PVC FILM	4A1491-01	1	1			
18	CAUTION TAPE-404A (L=250)	PVC FILM	4A1535L01	1	-			
19	LABEL (B) – CONTROL BOARD	-	4A2528-01		1			

