

KNA

FLUID POWER



FITTINGS **HOSE**



ADAPTERS



KNA Fluid Power - Cross Reference Chart

One Piece (Bite-to-Wire) Crimp Fittings for Braided & Spiral Hose

Indented Part Numbers (with 400 series numbers) are for 4-wire spiral hose

KNA - Part Number	Cross-Reference Part Numbers			
	NPT, Male Pipe, Rigid	Dayco	Parker	Aeroquip
E203-02-04	BW04-02MP	10143-2-4	1AA2MP4	4G-2MP
E203-04-04	BW04-04MP	10143-4-4	1AA4MP4	4G-4MP
E203-06-04	BW04-06MP	10143-6-4	1AA6MP4	4G-6MP
E203-08-04	BW04-08MP	10143-8-4	1AA8MP4	4G-8MP
E203-04-05	BW05-04MP	10143-4-5	1AA4MP5	5G-4MP
E203-06-05	BW05-06MP	10143-6-5	1AA6MP5	5G-6MP
E203-04-06	BW06-04MP	10143-4-6	1AA4MP6	6G-4MP
E203-06-06	BW06-06MP	10143-6-6	1AA6MP6	6G-6MP
E403-06-06		10171-6-6		
E203-06-08	BW08-06MP	10143-6-8	1AA6MP8	8G-6MP
E203-08-06	BW06-08MP	10143-6-8	1AA8MP6	6G-8MP
E203-08-08	BW08-08MP	10143-8-8	1AA8MP8	8G-8MP
E403-08-08		10171-8-8		
E203-08-10	BW10-08MP	10143-8-10	1AA8MP10	10G-8MP
E203-08-12	BW12-08MP	10143-8-12	1AA8MP12	12G-8MP
E203-12-08	BW08-12MP	10143-12-8	1AA12MP8	8G-12MP
E203-12-10	BW10-12MP	10143-12-10	1AA12MP10	10G-12MP
E203-12-12	BW12-12MP	10143-12-12	1AA12MP12	12G-12MP
E403-12-12		10171-12-12		
E203-16-12	BW12-16MP	10143-16-12	1AA16MP12	12G-16MP
E203-16-16	BW16-16MP	10143-16-16	1AA16MP16	16G-16MP
E403-16-16		10171-16-16		
E203-20-20	BW20-20MP	10143-20-20	1AA20MP20	20G-20MP
E403-20-20		10171-20-20		
E203-24-24	BW24-24MP	10143-24-24	1AA24MP24	24G-24MP
E403-24-24		10171-24-24		
E203-32-32	BW32-32MP	10143-32-32	1AA32MP32	32G-32MP
E403-32-32		10171-32-32		

NPT, Male Pipe, Swivel	Dayco	Parker	Aeroquip	Gates
E208-04-04	BW04-04MS	11343-4-4	1AA4PS4	4G-4MPX
E208-06-04	BW04-06MS	11343-6-4	1AA6PS4	4G-6MPX
E208-06-06	BW06-06MS	11343-6-6	1AA6PS6	6G-6MPX
E208-08-06	BW06-08MS	11343-8-6	1AA8PS6	6G-8MPX
E208-06-08	BW08-06MS	11343-6-8	1AA6PS8	8G-6MPX
E208-08-08	BW08-08MS	11343-8-8	1AA8PS8	8G-8MPX
E208-12-12	BW12-12MS	11343-12-12	1AA12PS12	12G-12MPX
E208-16-16	BW16-16MS	11343-16-16	1AA16PS16	16G-16MPX

JIC Male, Straight	Dayco	Parker	Aeroquip	Gates
C206-04-04	BW04-04MJ	10343-4-4	1AA4MJ4	4G-4MJ
C206-06-04	BW04-06MJ	10343-6-4	1AA6MJ4	4G-6MJ
C206-05-04	BW04-05MJ	10343-5-4	1AA5MJ4	4G-5MJ
C206-05-06	BW06-05MJ	10343-5-6	1AA5MJ6	6G-5MJ
C206-06-06	BW06-06MJ	10343-6-6	1AA6MJ6	6G-6MJ
C206-08-06	BW06-08MJ	10343-8-6	1AA8MJ6	6G-8MJ
C206-08-08	BW08-08MJ	10343-8-8	1AA8MJ8	8G-8MJ
C206-10-06	BW06-10MJ	10343-10-6	1AA10MJ6	6G-10MJ
C206-10-08	BW08-10MJ	10343-10-8	1AA10MJ8	8G-10MJ
C206-10-10	BW10-10MJ	10343-10-10	1AA10MJ10	10G-10MJ
C206-12-08	BW08-12MJ	10343-12-8	1AA12MJ8	8G-12MJ
C206-12-10	BW10-12MJ	10343-12-10	1AA12MJ10	10G-12MJ
C206-12-12	BW12-12MJ	10343-12-12	1AA12MJ12	12G-12MJ
C406-12-12		10371-12-12		
C206-16-12	BW12-16MJ	10343-16-12	1AA16MJ12	12G-16MJ
C206-16-16	BW16-16MJ	10343-16-16	1AA16MJ16	16G-16MJ

KNA Fluid Power - Cross Reference Chart

One Piece (Bite-to-Wire) Crimp Fittings for Braided & Spiral Hose

Indented Part Numbers (with 400 series numbers) are for 4-wire spiral hose

KNA - Part Number	Cross-Reference Part Numbers			
C406-16-16	10371-16-16			
C206-20-20	BW20-20MJ	10343-20-20	1AA20MJ20	20G-20MJ
C406-20-20	10371-20-20			
C206-24-20	BW20-24MJ	10343-24-20	1AA24MJ20	20G-24MJ

JIC Female (37 Swivel), Straight	Dayco	Parker	Aeroquip	Gates
C202-04-04	BW04-04FJ	10643-4-4	1AA4FJ4	4G-4FJX
C202-04-06	BW06-04FJ	10643-4-6	1AA4FJ6	6G-4FJX
C202-05-04	BW04-05FJ	10643-5-4	1AA5FJ4	4G-5FJX
C202-05-05	BW05-05FJ	10643-5-5	1AA5FJ5	5G-5FJX
C202-06-04	BW04-06FJ	10643-6-4	1AA6FJ4	4G-6FJX
C202-06-05	BW05-06FJ	10643-6-5	1AA6FJ5	5G-6FJX
C202-06-06	BW06-06FJ	10643-6-6	1AA6FJ6	6G-6FJX

C402-06-06	10671-6-6			
C202-06-08	BW08-06FJ	10643-6-8	1AA6FJ8	8G-6FJX
C202-08-06	BW06-08FJ	10643-8-6	1AA8FJ6	6G-8FJX
C202-08-08	BW08-08FJ	10643-8-8	1AA8FJ8	8G-8FJX
C402-08-08	10671-8-8			
C202-10-06	BW06-10FJ	10643-10-6	1AA10FJ6	6G-10FJX
C202-10-08	BW08-10FJ	10643-10-8	1AA10FJ8	8G-10FJX
C202-10-10	BW10-10FJ	10643-10-10	1AA10FJ10	10G-10FJX
C202-10-12	BW12-10FJ	10643-10-12	1AA10FJ12	12G-10FJX
C202-12-08	BW08-12FJ	10643-12-8	1AA12FJ8	8G-12FJX
C202-12-10	BW10-12FJ	10643-12-10	1AA12FJ10	10G-12FJX
C202-12-12	BW12-12FJ	10643-12-12	1AA12FJ12	12G-12FJX

JIC Female (37 Swivel), Straight	Dayco	Parker	Aeroquip	Gates
C202-16-12	BW12-16FJ	10643-16-12	1AA16FJ12	12G-16FJX
C402-16-12				
C202-16-16	BW16-16FJ	10643-16-16	1AA16FJ16	16G-16FJX
C402-16-16	10671-16-16			
C202-20-16	BW16-20FJ	10643-20-16	1AA20FJ16	16G-20FJX
C402-20-16				
C202-20-20	BW20-20FJ	10643-20-20	1AA20FJ20	20G-20FJX
C402-20-20	10671-20-20			
C202-24-24	BW24-24FJ	10643-24-24	1AA24FJ24	24G-24FJX
C402-24-24	10671-24-24			
C202-32-32	BW32-32FJ	10643-32-32	1AA32FJ32	32G-32FJX
C402-32-32	10671-32-32			

JIC Female (37 Swivel), Elbow 45	Dayco	Parker	Aeroquip	Gates
C242-04-04	BW04-04FJ45T	13743-4-4	1AA4FJA4	4G-4FJX45
C242-05-04	BW04-05FJ45T	13743-5-4	1AA5FJA4	4G-5FJX45
C242-06-04	BW04-06FJ45T	13743-6-4	1AA6FJA4	4G-6FJX45
C242-06-06	BW06-06FJ45T	13743-6-6	1AA6FJA6	6G-6FJX45
C442-06-06	13773-6-6			
C242-08-06	BW06-08FJ45T	13743-8-6	1AA8FJA6	6G-8FJX45
C242-08-08	BW08-08FJ45T	13743-8-8	1AA8FJA8	8G-8FJX45
C242-10-08	BW08-10FJ45T	13743-10-8	1AA10FJA8	8G-10FJX45
C242-10-10	BW10-10FJ45T	13743-10-10	1AA10FJA10	10G-10FJX45
C242-12-10	BW10-12FJ45T	13743-12-10	1AA12FJA10	10G-12FJX45
C242-12-12	BW12-12FJ45T	13743-12-12	1AA12FJA12	12G-12FJX45
C442-12-12	13773-12-12			
C242-16-16	BW16-16FJ45T	13743-16-16	1AA16FJA16	16G-16FJX45
C442-16-16	13773-16-16			
C242-20-20	BW20-20FJ45T	13743-20-20	1AA20FJA20	20G-20FJX45
C442-20-20	13773-20-20			

KNA Fluid Power - Cross Reference Chart

One Piece (Bite-to-Wire) Crimp Fittings for Braided & Spiral Hose

Indented Part Numbers (with 400 series numbers) are for 4-wire spiral hose

KNA - Part Number	Cross-Reference Part Numbers			
C242-24-24	BW24-24FJ45T	13743-24-24	1AA24FJA24	24G-24FJX45
C442-24-24		13773-24-24		
C242-32-32	BW32-32FJ45T	13743-32-32	1AA32FJA32	32G-32FJX45
C442-32-32		13773-32-32		

JIC Female (37 Swivel), Elbow 90	Dayco	Parker	Aeroquip	Gates
C292-04-04	BW04-04FJ90T	13943-4-4	1AA4FJB4	4G-4FJX90M
C292-04-06	BW06-04FJ90T	13943-4-6	1AA4FJB6	6G-4FJX90M
C292-05-04	BW04-05FJ90T	13943-5-4	1AA5FJB4	4G-5FJX90M
C292-05-05	BW05-05FJ90T	13943-5-5	1AA5FJB5	5G-5FJX90M
C292-06-04	BW04-06FJ90T	13943-6-4	1AA6FJB4	4G-6FJX90M
C292-06-06	BW06-06FJ90T	13943-6-6	1AA6FJB6	6G-6FJX90M
C492-06-06		13971-6-6		

JIC Female (37 Swivel), Elbow 90	Dayco	Parker	Aeroquip	Gates
C292-06-08	BW08-06FJ90T	13943-6-8	1AA6FJB8	8G-6FJX90M
C292-08-06	BW06-08FJ90T	13943-8-6	1AA8FJB6	6G-8FJX90M
C292-08-08	BW08-08FJ90T	13943-8-8	1AA8FJB8	8G-8FJX90M
C492-08-08		13971-8-8		
C292-10-08	BW08-10FJ90T	13943-10-8	1AA10FJB8	8G-10FJX90M
C492-10-08		13971-10-8		
C292-10-10	BW10-10FJ90T	13943-10-10	1AA10FJB10	10G-10FJX90M
C292-12-08	BW08-12FJ90T	13943-12-8	1AA12FJB8	8G-12FJX90M
C292-12-10	BW10-12FJ90T	13943-12-10	1AA12FJB10	10G-12FJX90M
C292-12-12	BW12-12FJ90T	13943-12-12	1AA12FJB12	12G-12FJX90M
C492-12-12		13971-12-12		
C292-16-12	BW12-16FJ90T	13943-16-12	1AA16FJB12	12G-16FJX90M
C292-16-16	BW16-16FJ90T	13943-16-16	1AA16FJB16	16G-16FJX90M
C492-16-16		13971-16-16		
C292-20-20	BW20-20FJ90T	13943-20-20	1AA20FJB20	20G-20FJX90M
C492-20-20		13971-20-20		
C292-24-24	BW24-24FJ90T	13943-24-24	1AA24FJB24	24G-24FJX90M
C492-24-24		13971-24-24		
C292-32-32	BW32-32FJ90T	13943-32-32	1AA32FJB32	32G-32FJX90M
C492-32-32		13971-32-32		

JIC Female (37 Swivel), Long Drop	Dayco	Parker	Aeroquip	Gates
C282-04-04	BW04-04FJ90TL	14143-4-47	1AA4FJC4	4G-4FJX90L
C282-06-04	BW04-06FJ90TL	14143-6-4	1AA6FJC4	4G-6FJX90L
C282-06-06	BW06-06FJ90TL	14143-6-6	1AA6FJC6	6G-6FJX90L
C482-06-06		14171-06-06		
C282-08-06	BW06-08FJ90TL	14143-8-6	1AA8FJC6	6G-8FJX90L
C282-08-08	BW08-08FJ90TL	14143-8-8	1AA8FJC8	8G-8FJX90L
C482-08-08		14171-08-08		
C282-10-08	BW08-10FJ90TL	14143-10-8	1AA10FJC8	8G-10FJX90L
C282-10-10	BW10-10FJ90TL	14143-10-10	1AA10FJC10	10G-10FJX90L
C282-12-12	BW12-12FJ90TL	14143-12-12	1AA12FJC12	12G-12FJX90L
C482-12-12		14171-12-12		
C282-14-12	BW12-14FJ90TL	14143-14-12	1AA14FJC12	12G-14FJX90L
C282-16-16	BW16-16FJ90TL	14143-16-16	1AA16FJC16	16G-16FJX90L
C482-16-16		14171-16-16		
C282-20-20	BW20-20FJ90TL	14143-20-20	1AV20FJC20	20G-20FJX90L

Male Boss O-Ring (ORB)	Dayco	Parker	Aeroquip	Gates
E204R-04-04	BW04-04RA	10543-4-4	1AA4MB4	4G-4MB
E204R-06-06	BW06-06RA	10543-6-6	1AA6MB6	6G-6MB
E204R-08-06	BW06-08RA	10543-8-6	1AA8MB6	6G-8MB
E204R-08-08	BW08-08RA	10543-8-8	1AA8MB8	8G-8MB

KNA Fluid Power - Cross Reference Chart

One Piece (Bite-to-Wire) Crimp Fittings for Braided & Spiral Hose

Indented Part Numbers (with 400 series numbers) are for 4-wire spiral hose

KNA - Part Number	Cross-Reference Part Numbers				
	Male Boss O-Ring (ORB)	Dayco	Parker	Aeroquip	Gates
E204R-10-08		BW08-10RA	10543-10-8	1AA10MB8	8G-10MB
E204R-10-10		BW10-10RA	10543-10-10	1AA10MB10	10G-10MB
E204R-12-12		BW12-12RA	10543-12-12	1AA12MB12	12G-12MB
E204R-16-16		BW16-16RA	10543-16-16	1AA16MB16	16G-16MB

ORFS Straight	Dayco	Parker	Aeroquip	Gates
E205-04-04	BW04-04OFT	1JS43-4-4	1AA4FR4	4G-4FFORX
E205-04-06	BW06-04OFT	1JS43-4-6	1AA4FR6	6G-4FFORX
E205-06-04	BW04-06OFT	1JS43-6-4	1AA6FR4	4G-6FFORX
E205-06-06	BW06-06OFT	1JS43-6-6	1AA6FR6	6G-6FFORX
E405-06-06				
E205-06-08	BW08-06OFT	1JS43-6-8	1AA6FR8	8G-6FFORX
E205-08-04	BW04-08OFT	1JS43-8-4	1AA8FR4	4G-8FFORX
E205-08-06	BW06-08OFT	1JS43-8-6	1AA8FR6	6G-8FFORX
E205-08-08	BW08-08OFT	1JS43-8-8	1AA8FR8	8G-8FFORX
E405-08-08				
E205-08-10	BW10-08OFT	1JS43-8-10	1AA8FR10	10G-8FFORX
E205-10-06	BW06-10OFT	1JS43-10-6	1AA10FR6	6G-10FFORX
E205-10-08	BW08-10OFT	1JS43-10-8	1AA10FR8	8G-10FFORX
E205-10-10	BW10-10OFT	1JS43-10-10	1AA10FR10	10G-10FFORX
E205-10-12	BW12-10OFT	1JS43-10-12	1AA10FR12	12G-10FFORX
E205-12-08	BW08-12OFT	1JS43-12-8	1AA12FR8	8G-12FFORX
E205-12-10	BW10-12OFT	1JS43-12-10	1AA12FR10	10G-12FFORX
E205-12-12	BW12-12OFT	1JS43-12-12	1AA12FR12	12G-12FFORX
E405-12-12				
E205-12-16	BW16-12OFT	1JS43-12-16	1AA12FR16	16G-12FFORX
E205-16-10	BW10-16OFT	1JS43-16-10	1AA16FR10	10G-16FFORX
E205-16-12	BW12-16OFT	1JS43-16-12	1AA16FR12	12G-16FFORX
E205-16-16	BW16-16OFT	1JS43-16-16	1AA16FR6	16G-16FFORX
E405-16-16				
E205-16-20	BW20-16OFT	1JS43-16-20	1AA16FR20	20G-16FFORX
E205-20-16	BW16-20OFT	1JS43-20-16	1AA20FR16	16G-20FFORX
E205-20-20	BW20-20OFT	1JS43-20-20	1AA20FR20	20G-20FFORX
E405-20-20				
E205-24-20	BW20-24OFT	1JS43-24-20	1AA24FR20	20G-24FFORX
E205-24-24	BW24-24OFT	1JS43-24-24	1AA24FR24	24G-24FFORX
E405-24-24				

ORFS, Elbow 45	Dayco	Parker	Aeroquip	Gates
E245-04-04	BW04-04OF45T	1J743-4-4	1AA4FRA4	4G-4FFORX45
E245-04-06	BW06-04OF45T	1J743-4-6	1AA4FRA6	6G-4FFORX45
E245-06-04	BW04-06OF45T	1J743-6-4	1AA6FRA4	4G-6FFORX45
E245-06-05	BW05-06OF45T	1J743-6-5	1AA6FRA5	5G-6FFORX45
E245-06-06	BW06-06OF45T	1J743-6-6	1AA6FRA6	6G-6FFORX45
ORFS, Elbow 45				
E445-06-06				
E245-06-08	BW08-06OF45T	1J743-6-8	1AA6FRA8	8G-6FFORX45
E245-08-04	BW04-08OF45T	1J743-8-4	1AA8FRA4	4G-8FFORX45
E245-08-06	BW06-08OF45T	1J743-8-6	1AA8FRA6	6G-8FFORX45
E245-08-08	BW08-08OF45T	1J743-8-8	1AA8FRA8	8G-8FFORX45
E445-08-08				
E245-08-10	BW10-08OF45T	1J743-8-10	1AA8FRA10	10G-8FFORX45
E245-10-08	BW08-10OF45T	1J743-10-8	1AA10FRA8	8G-10FFORX45
E245-10-10	BW10-10OF45T	1J743-10-10	1AA10FRA10	10G-10FFORX45
E245-10-12	BW12-10OF45T	1J743-10-12	1AA10FRA12	12G-10FFORX45
E245-12-08	BW08-12OF45T	1J743-12-8	1AA12FRA8	8G-12FFORX45

KNA Fluid Power - Cross Reference Chart

One Piece (Bite-to-Wire) Crimp Fittings for Braided & Spiral Hose

Indented Part Numbers (with 400 series numbers) are for 4-wire spiral hose

KNA - Part Number	Cross-Reference Part Numbers			
E245-12-10	BW10-12OF45T	1J743-12-10	1AA12FRA10	10G-12FFORX45
E245-12-12	BW12-12OF45T	1J743-12-12	1AA12FRA12	12G-12FFORX45
E445-12-12				
E245-12-16	BW16-12OF45T	1J743-12-16	1AA12FRA16	16G-12FFORX45
E245-16-12	BW12-16OF45T	1J743-16-12	1AA16FRA12	12G-16FFORX45
E245-16-16	BW16-16OF45T	1J743-16-16	1AA16FRA16	16G-16FFORX45
E445-16-16				
E245-16-20	BW20-16OF45T	1J743-16-20	1AA16FRA20	20G-16FFORX45
E245-20-16	BW16-20OF45T	1J743-20-16	1AA20FRA16	16G-20FFORX45
E245-20-20	BW20-20OF45T	1J743-20-20	1AA20FRA20	20G-20FFORX45
E445-20-20				
E245-24-20				
E245-24-24				
E445-24-24				

ORFS, Elbow 90	Dayco	Parker	Aeroquip	Gates
E295-04-04	BW04-04OF90T	1J943-4-4	1AA4FRB4	4G-4FFORX90
E295-04-06	BW06-04OF90T	1J943-4-6	1AA4FRB6	6G-4FFORX90
E295-06-04	BW04-06OF90T	1J943-6-4	1AA6FRB4	4G-6FFORX90
E295-06-05	BW05-09OF90T	1J943-6-5	1AA6FRB5	5G-6FFORX90
E295-06-06	BW06-06OF90T	1J943-6-6	1AA6FRB6	6G-6FFORX90
E295-06-08	BW08-06OF90T	1J943-6-8	1AA6FRB8	8G-6FFORX90
E295-08-04	BW04-08OF90T	1J943-8-4	1AA8FRB4	4G-8FFORX90
E295-08-06	BW06-08OF90T	1J943-8-6	1AA8FRB6	6G-8FFORX90
E295-08-08	BW08-08OF90T	1J943-8-8	1AA8FRB8	8G-8FFORX90
E295-08-10	BW10-08OF90T	1J943-8-10	1AA8FRB10	10G-8FFORX90
E295-10-08	BW08-10OF90T	1J943-10-8	1AA10FRB8	8G-10FFORX90
E295-10-10	BW10-10OF90T	1J943-10-10	1AA10FRB10	10G-10FFORX90
E295-10-12	BW12-10OF90T	1J943-10-12	1AA10FRB12	12G-10FFORX90
E295-12-08	BW08-12OF90T	1J943-12-8	1AA12FRB8	8G-12FFORX90
E295-12-10	BW10-12OF90T	1J943-12-10	1AA12FRB10	10G-12FFORX90
E295-12-12	BW12-12OF90T	1J943-12-12	1AA12FRB12	12G-12FFORX90

ORFS, Elbow 90	Dayco	Parker	Aeroquip	Gates
E495-12-12				
E295-12-16	BW16-12OF90T	1J943-12-16	1AA12FRB16	16G-12FFORX90
E295-16-12	BW12-16OF90T	1J943-16-12	1AA16FRB12	12G-16FFORX90
E295-16-16	BW16-16OF90T	1J943-16-16	1AA16FRB16	16G-16FFORX90
E495-16-16				
E295-16-20	BW20-16OF90T	1J943-16-20	1AA16FRB20	20G-16FFORX90
E295-20-16	BW16-20OF90T	1J943-20-16	1AA20FRB16	16G-20FFORX90
E295-20-20	BW20-20OF90T	1J943-20-20	1AA20FRB20	20G-20FFORX90
E495-20-20				
E295-24-20	BW20-24OF90T	1J943-24-20	1AA24FRB20	20G-24FFORX90
E295-24-24	BW24-24OF90T	1J943-24-24	1AA24FRB24	24G-24FFORX90
E495-24-24				

ORFS, Elbow 90, Long Drop	Dayco	Parker	Aeroquip	Gates
E285-04-04	BW04-04OF90TL	1J143-4-4	1AA4FRC4	4G-4FFORX90L
E285-06-06	BW06-06OF90TL	1J143-6-6	1AA6FRC6	6G-6FFORX90L
E285-10-10	BW10-10OF90TL	1J143-10-10	1AA10FRC10	10G-10FFORX90L
E285-12-12	BW12-12OF90TL	1J143-12-12	1AA12FRC12	12G-12FFORX90L
E285-16-16	BW16-16OF90TL	1J143-16-16	1AA16FRC16	16G-16FFORX90L
E485-16-16				
E285-20-20	BW20-20OF90TL	1J143-20-20	1AA20FRC20	20G-20FFORX90L
E485-20-20				

Flange 61, Straight	Dayco	Parker	Aeroquip	Gates
---------------------	-------	--------	----------	-------

KNA Fluid Power - Cross Reference Chart

One Piece (Bite-to-Wire) Crimp Fittings for Braided & Spiral Hose

Indented Part Numbers (with 400 series numbers) are for 4-wire spiral hose

KNA - Part Number	Cross-Reference Part Numbers			
F201-08-08	BW08-08PA	11543-8-8	1A8FL8	8G-8FL
F201-12-08	BW08-12PA	11543-12-8	1A12FL8	8G-12FL
F201-12-12	BW12-12PA	11543-12-12	1A12FL12	12G-12FL
F401-12-12				
F201-16-12	BW12-16PA	11543-16-12	1A16FL12	12G-16FL
F201-16-16	BW16-16PA	11543-16-16	1A16FL16	16G-16FL
F401-16-16				
F201-20-16	BW16-20PA	11543-20-16	1A20FL16	16G-20FL
F201-20-20	BW20-20PA	11543-20-20	1A20FL20	20G-20FL
F401-20-20				
F201-24-20	BW20-24PA	11543-24-20	1A24FL20	20G-24FL
F201-24-24	BW24-24PA	11543-24-24	1A24FL24	24G-24FL
F401-24-24				
F201-24-32	BW32-24PA	11543-24-32	1A24FL32	32G-32FL
F201-32-20	BW20-32PA	11543-32-20	1A32FL20	20G-32FL
F201-32-24	BW24-32PA	11543-32-24	1A32FL24	24G-32FL
F201-32-32	BW32-32PA	11543-32-32	1A32FL32	32G-32FL
F401-32-32				

Flange 61, Elbow 45	Dayco	Parker	Aeroquip	Gates
F241-08-08	BW08-08PA45	11743-8-8	1A8FLA8	8G-8FL45
F241-12-08	BW08-12PA45	11743-12-8	1A12FLA8	8G-12FL45
F241-12-12	BW12-12PA45	11743-12-12	1A12FLA12	12G-12FL45
F241-16-12	BW12-16PA45	11743-16-12	1A16FLA12	12G-16FL45
F241-16-16	BW16-16PA45	11743-16-16	1A16FLA16	16G-16FL45
F241-20-16	BW16-20PA45	11743-20-16	1A20FLA16	16G-20FL45
F241-20-20	BW20-20PA45	11743-20-20	1A20FLA20	20G-20FL45
F241-24-20	BW20-24PA45	11743-24-20	1A24FLA20	20G-24FL45
F241-24-24	BW24-24PA45	11743-24-24	1A24FLA24	24G-24FL45
F241-32-24	BW24-32PA45	11743-32-24	1A32FLA24	24G-32FL45
F241-32-32	BW32-32PA45	11743-32-32	1A32FLA32	32G-32FL45

Flange 61, Elbow 90	Dayco	Parker	Aeroquip	Gates
F291-12-12	BW12-12PA90	11943-12-12	1A12FLB12	12G-12FL90
F491-12-12				
F291-16-12	BW12-16PA90	11943-16-12	1A16FLB12	12G-16FL90
F291-16-16	BW16-16PA90	11943-16-16	1A16FLB16	16G-16FL90
F491-16-16				
F291-20-16	BW16-20PA90	11943-20-16	1A20FLB16	16G-20FL90
F291-20-20	BW20-20PA90	11943-20-20	1A20FLB20	20G-20FL90
F491-20-20				
F291-24-16	BW16-24PA90	11943-24-16	1A24FLB16	16G-24FL90
F291-24-20	BW20-24PA90	11943-24-20	1A24FLB20	20G-24FL90
F291-24-24	BW24-24PA90	11943-24-24	1A24FLB24	24G-24FL90
F491-24-24				
F291-32-24	BW24-32PA90	11943-32-24	1A32FLB24	24G-32FL90
F291-32-32	BW32-32PA90	11943-32-32	1A32FLB32	32G-32FL90
F491-32-32				

Flange 62, Straight	Dayco	Parker	Aeroquip	Gates
F202-12-12	BW12-12PH			
F402-12-12				
F202-16-16	BW16-16PH			
F402-16-16				
F202-20-20	BW20-20PH			
F402-20-20				
F202-24-24	BW24-24PH			

KNA Fluid Power - Cross Reference Chart

One Piece (Bite-to-Wire) Crimp Fittings for Braided & Spiral Hose

Indented Part Numbers (with 400 series numbers) are for 4-wire spiral hose

KNA - Part Number	Cross-Reference Part Numbers
F402-24-24	
F202-32-32	BW32-32PH
F402-32-32	

Flange 62, Elbow 45	Dayco	Parker	Aeroquip	Gates
F242-12-12	BW12-12PH45			
F242-16-16	BW16-16PH45			
F242-20-20	BW20-20PH45			
F242-24-24	BW24-24PH45			
F242-32-32	BW32-32PH45			

Flange 62, Elbow 90	Dayco	Parker	Aeroquip	Gates
F292-12-12	BW12-12PH90			
F492-12-12				
F292-16-16	BW16-16PH90			
F492-16-16				
F292-20-20	BW20-20PH90			
F492-20-20				
F292-24-24	BW24-24PH90			
F492-24-24				
F292-32-32	BW32-32PH90			
F492-32-32				

ONE PIECE CRIMP TYPE FITTINGS

Index	A1
Numbering System	A2
Pictorial Index	A3-A5
SAE 100 R1AT,R2AT(W/B), R12 (4Spiral) Type Fittings.....	A6-A33
SAE 100 R13 (6Spiral Hose) Type Fittings	A34-A36

HYDRAULIC HOSE

Braided and Spiral Hydraulic Hose.....	A37-A45
---	----------------

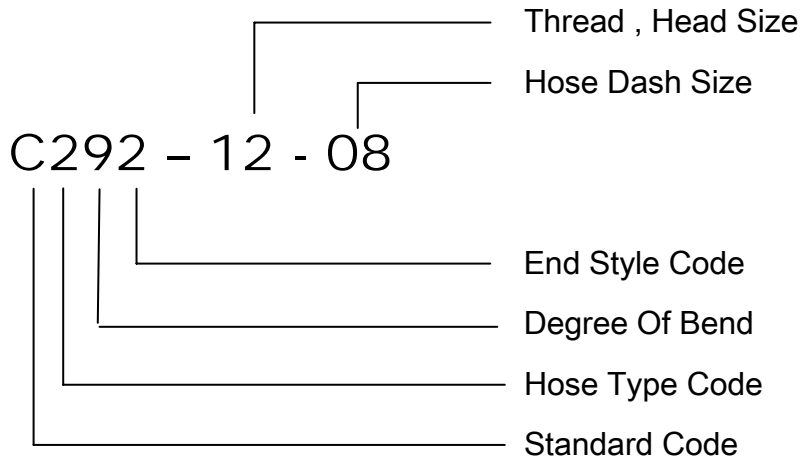
STEEL ADAPTERS

JIC, PIPE, ORFS, FLANGE, METRIC

One Piece Crimp Fittings Hydraulic Braided/Spiral Hose

Numbering system	A2
Pictorial Index	A3
SAE Taper Male(NPTF) E203,E403	A6
SAE Taper Male Swivel(NPTF) E208,E408	A7
Male JIC 37° Cone C206,C406	A8
Female JIC 37° Swivel C202,C402,C242,C442,C292,C492,C282,C482	A9~A12
Female Seal-Lok Swivel(ORFS) E205,E405,245,E445,E295,E495,E285,E485	A13~A16
Male JIS Taper Pipe S203,S403	A16
KOMATSU Female Swivel 30° Flare K202,K402	A17
Female BSP Parallel Pipe Swivel 60° Cone P201,P401,P241,P441,P291,P491,P281,P481	A18~A19
SAE Code 61 Flange F201,F401,F241,F441,F291,F491	A20~A22
SAE Code 62 Flange F202,F402,F242,F442,F292,F492	A23~A24
Metric Standpipe DIN 2353 N209	A25
Metric Female 60° Cone DIN 3863 N201,N401,N241,N441,N291,N491	A25~A26
Metric Male 24° Cone Seat L.T & H.T DIN 3853 N20B,N40B,N20D,N40D	A27~A28
O-Ring Metric Female 24° Cone L.T & H.T DIN 3865(DKO) N207,N407,N20H,N40H	A29~A30
Female JIS Parallel Pipe Swivel 60° Cone S201,S401,S241,S441,S291,S491	A31~A32
Female JIS Parallel Pipe Swivel Straight 30° Flare S202,S402	A33
Male Pipe, Female JIC 37 Swivel, SAE Code 61 and 62 E602, C602, F601, F602, P601.....	A34~A36
Hydraulic Hose	A37~A45
Adapters	

NUMBERING SYSTEM



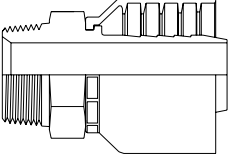
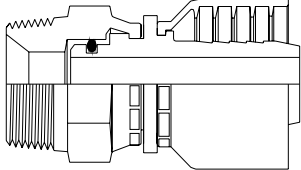
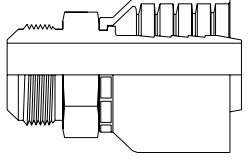
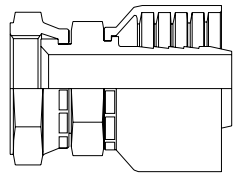
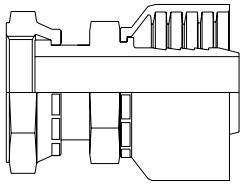
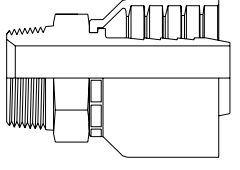
STANDARD CODE	
P	BSP
N	DIN
S	JIS
E	SAE
F	SAE FLANGE
C	JIC
K	KOMATSU

HOSE TYPE CODE	
2	Wire Braid Hose
4	4 Wire Spiral Hose
6	SAE 100R13 (6Spiral) Hose
DEGREE OF BEND	
0	Straight
4	45° Elbow
9	90° Elbow

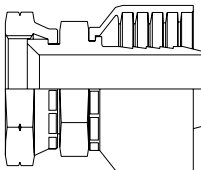
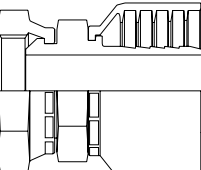
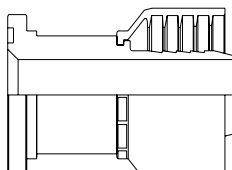
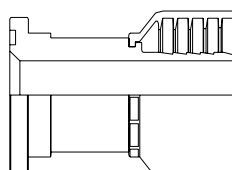
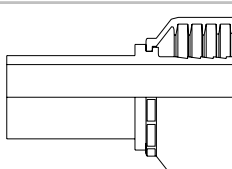
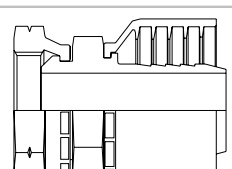
END STYLE CODE	
1	Cone-Swivel Female or SAE Code 61 Flange
2	Flare-Swivel Female or SAE code 62 Flange
3	Taper Male
4	Flare-Male (NO Seal)
5	Flat-Swivel Female
6	Cone-Male
7	Metric 24° L Long O-ring Female
8	Taper Male Swivel
9	Stand Pipe L
B	Metric 24° L Cone Male
D	Metric 24° S Cone Male
H	Metric 24° S Cone O-ring Female
S	Stand Pipe S

L : Low and Middle Pressure S : High Pressure

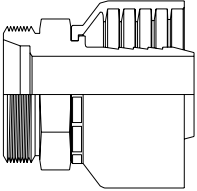
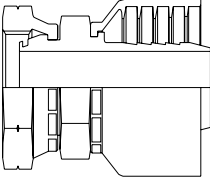
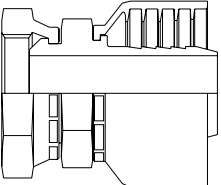
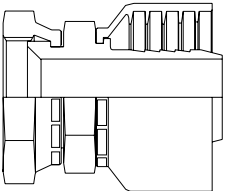
PICTORIAL INDEX

Description		Straight	Elbow 45°	Elbow 90°	6 Spiral	Other
	SAE Taper Male (NPTF)	A6 E203 E403			A34 E603	
	Male Pipe Swivel	A7 E208 E408				
	Male JIC 37° Cone	A8 C206 C406				
	Female JIC 37° Swivel	A9 C202 C402	A10 C242 C442	A11 C292 C492	A34 C602	A12 90° LONG C282 C482
	Female Seal-Lok Swivel	A13 E205 E405	A14 E245 E445	A15 E295 E495		A16 90° LONG E285 E485
	Male JIS Taper Pipe	A16 S203 S403				

PICTORIAL INDEX

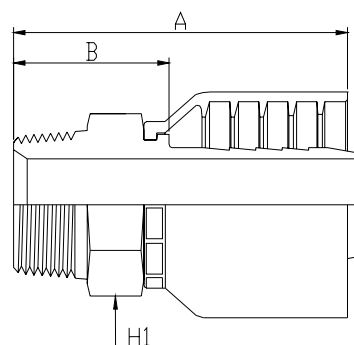
Type	Straight	Elbow 45°	Elbow 90°	6 Spiral	Other
 <p>KOMATSU Female Swivel 30° Flare</p>	A17 K202 K402				
 <p>Female BSP Parallel Pipe Swivel 60° Cone</p>	A18 P201 P401	A18 P241 P441	A19 P291 P491	A36 P601	A19 90° Long P281 P481
 <p>SAE Code 61 Flange</p>	A20 F201 F401	A21 F241 F441	A22 F291 F491	A35 F601	
 <p>SAE Code 62 Flange</p>	A23 F202 F402	A24 F242 F442	A24 F292 F492	A35 F602	
 <p>Metric Standpipe</p>	A25 N209				
 <p>Metric Female 60° Cone</p>	A25 N201 N401	A26 N241 N441	A26 N291 N491		

PICTORIAL INDEX

Type	Straight	Elbow 45°	Elbow 90°	6 Sprial	Other
 <p>Metric Male 24° Cone Seat</p>	A27 L.T. N20B N40B				A28 H.T. N20D N40D
 <p>O-Ring Metric Female 24° Cone</p>	A29 L.T. N207 N407				A30 H.T. N20H N40H
 <p>Female JIS Parallel Pipe Swivel 60° Cone</p>	A31 S201 S401	A31 S241 S441	A32 S291 S491		A32 90° Long S281 S481
 <p>Female JIS Parallel Pipe Swivel 30° Flare</p>	A33 S202				

E203 & E403

SAE Taper Male
NPTF

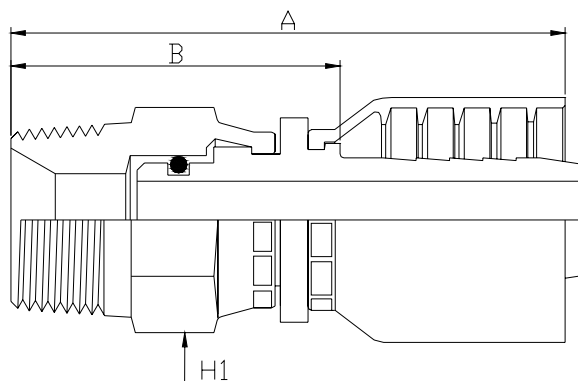


Part No.	Thread	Hose Bore			Dimension inch				
	T	Size	Inch	DN	A	B	H1		
E203 For Use Wire Braid Hose									
E203-04-04	1/4"-18	4	1/4"	6	49	27	9/16		
E203-06-04	3/8"-18	4	1/4"	6	48	27	3/4		
E203-08-04	1/2"-14	4	1/4"	6	57	37	7/8		
E203-04-05	1/4"-18	5	5/16"	8	56	27	11/16		
E203-06-05	3/8"-18	5	5/16"	8	58	27	11/16		
E203-04-06	1/4"-18	6	3/8"	10	56	27	11/16		
E203-06-06	3/8"-18	6	3/8"	10	58	30	11/16		
E203-08-06	1/2"-14	6	3/8"	10	64	37	7/8		
E203-06-08	3/8"-18	8	1/2"	12	63	30	7/8		
E203-08-08	1/2"-14	8	1/2"	12	67	37	7/8		
E203-12-08	3/4"-14	8	1/2"	12	63	35	1.1/16		
E203-06-10	3/8"-18	10	5/8"	16	58	30	28		
E203-08-10	1/2"-14	10	5/8"	16	75	37	28		
E203-12-10	3/4"-14	10	5/8"	16	74	35	1.1/16		
E203-08-12	1/2"-14	12	3/4"	20	76	37	1.1/16		
E203-12-12	3/4"-14	12	3/4"	20	74	35	1.1/16		
E203-16-12	1"-11.5	12	3/4"	20	79	42	1.3/8		
E203-12-16	3/4"-14	16	1"	25	82	35	1.3/8		
E203-16-16	1"-11.5	16	1"	25	87	42	1.3/8		
E203-20-20	1.1/4"-11.5	20	1.1/4"	32	96	50	1.11/16		
E203-24-24	1.1/2"-11.5	24	1.1/2"	40	111	50	2		
E203-32-32	2"-1.1/2	32	2"	50	128	58	2.1/2		
E403 For Use Spiral Wire Hose									
E403-06-06	3/8"-18	6	3/8"	10	58	30			
E403-08-08	1/2"-14	8	1/2"	12	70	37	22 7/8		
E403-12-08	3/4"-14	8	1/2"	12	63	35	27 1.1/16		
E403-12-12	3/4"-14	12	3/4"	20	74	35	27 1.1/16		
E403-16-12	1"-11.5	12	3/4"	20	80	42	36 1.3/8		
E403-16-16	1"-11.5	16	1"	25	89	42	36 1.3/8		
E403-20-16	1.1/4"-11.5	16	1"	25	96	50	46 1.11/16		
E403-20-20	1.1/4"-11.5	20	1.1/4"	32	96	50	46 1.11/16		
E403-24-24	1.1/2"-11.5	24	1.1/2"	40	111	50	50 2		
E403-32-32	2"-11.5	32	2"	50	128	58	60 2.1/2		

STANDARD PRODUCT

E208 & E408

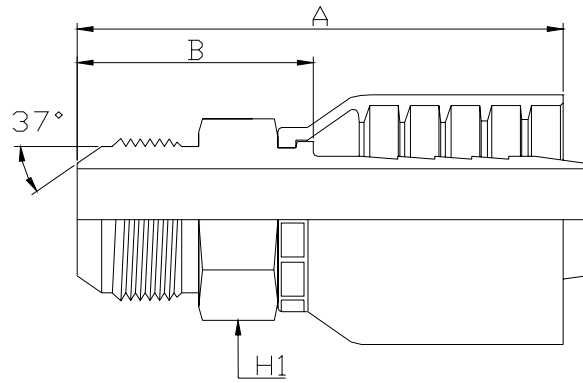
*SAE Taper Male Swivel
NPTF*



Part NO.	Thread	Hose Bore			Dimension inch				
	T	Size	Inch	DN	A	B	H1		
E208 <i>For Use Wire Braid Hose</i>									
E208-04-04	1/4"-18	4	1/4"	6	68	46	11/16		
E208-06-06	3/8"-18	6	3/8"	10	78	50	7/8		
E208-08-08	1/2"-14	8	1/2"	12	89	56	1		
E208-12-12	3/4"-14	12	3/4"	20	100	61	1-3/8		
E208-16-16	1"-11.5	16	1"	25	118	73	1-1/2		
E408 <i>For Use Spiral Wire Hose</i>									
E408-06-06	3/8"-18	6	3/8"	12	78	50	7/8		
E408-08-08	1/2"-14	8	1/2"	12	89	56	1		
E408-12-12	3/4"-14	12	3/4"	20	101	61	1-3/8		
E408-16-16	1"-11.5	16	1"	25	120	73	1-1/2		

STANDARD PRODUCT

Male JIC 37° Cone

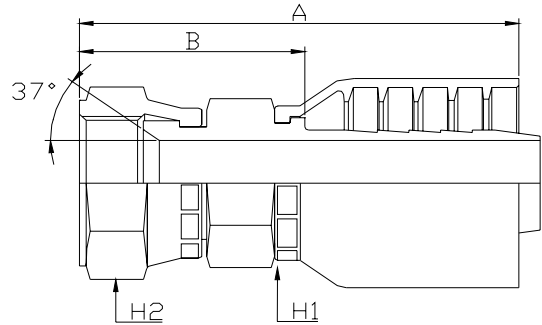


Part NO.	Thread	Hose Bore			Dimension [inch]				
	T	Size	Inch	DN	A	B	H1		
C206 For Use Wire Braid Hose									
C206-04-04	7/16"-20	4	1/4"	6	47	25	9/16		
C206-05-04	1/2"-20	4	1/4"	6	47	25	9/16		
C206-06-04	9/16"-18	4	1/4"	6	49	28	11/16		
C206-05-06	1/2"-20	6	3/8"	10	54	25	3/4		
C206-06-06	9/16"-18	6	3/8"	10	56	28	3/4		
C206-08-06	3/4"-16	6	3/8"	10	57	29	7/8		
C206-10-06	7/8"-14	6	3/8"	10	60	33	15/16		
C206-08-08	3/4"-16	8	1/2"	12	62	29	7/8		
C206-10-08	7/8"-14	8	1/2"	12	66	33	15/16		
C206-12-08	1.1/16"-12	8	1/2"	12	73	39	1.1/8		
C206-10-10	7/8"-14	10	5/8"	16	71	33	15/16		
C206-12-10	1.1/16"-12	10	5/8"	16	78	39	1.1/8		
C206-12-12	1.1/16"-12	12	3/4"	20	78	39	1.1/8		
C206-14-12	1.3/16"-12	12	3/4"	20	80	40	1.1/4		
C206-16-12	1.5/16"-12	12	3/4"	20	78	41	1.3/8		
C206-16-16	1.5/16"-12	16	1"	25	86	41	1.3/8		
C206-20-20	1.5/8"-12	20	1.1/4"	32	98	51	1.7/8		
C206-24-20	1.7/8"-12	20	1.1/4"	32	110	51	2		
C406 For Use Spiral Wire Hose									
C406-06-06	9/16"-18	6	3/8"	10	56	28	3/4		
C406-08-06	3/4"-16	6	3/8"	10	57	29	7/8		
C406-08-08	3/4"-16	8	1/2"	12	62	29	7/8		
C406-10-08	7/8"-14	8	1/2"	12	66	33	15/16		
C406-12-12	1.1/16"-12	12	3/4"	20	78	39	1/8		
C406-16-12	1.3/16"-12	12	3/4"	20	80	40	1.1/4		
C406-16-12	1.5/16"-12	12	3/4"	20	78	41	1.3/8		
C406-16-16	1.5/16"-12	16	1"	25	86	41	1.3/8		
C406-20-16	1.5/8"-12	16	1"	25	95	51	1.7/8		
C406-20-20	1.5/8"-12	20	1.1/4"	32	98	51	1.7/8		

STANDARD PRODUCT

C202 & C402

Female JIC 37° Swivel

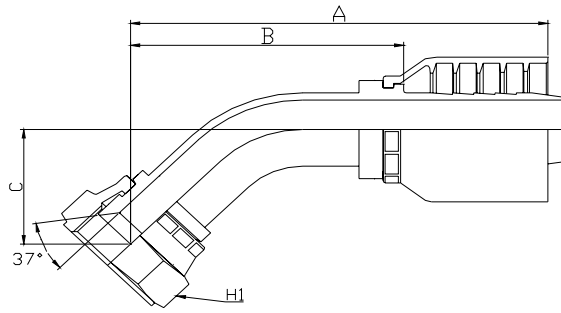


Some C202,C402 fittings contain a dual seat that accepts both the JIC(37deg) and SAE(45deg) male configurations.

Part NO.	Thread	Hose Bore			Dimension [inch]					
	T	Size	Inch	DN	A	B	H1	H2		
C202 For Use Wire Braid Hose										
C202-04-04	7/16"-20	4	1/4"	6	50	28	9/16	9/16		
C202-05-04	1/2"-20	4	1/4"	6	50	29	9/16	9/16		
C202-06-04	9/16"-18	4	1/4"	6	53	32	9/16	11/16		
C202-05-05	1/2"-20	5	5/16"	8	57	29	11/16	9/16		
C202-06-05	9/16"-18	5	5/16"	8	60	32	11/16	11/16		
C202-06-06	9/16"-18	6	3/8"	10	59	31	11/16	11/16		
C202-08-06	3/4"-16	6	3/8"	10	61	33	11/16	7/8		
C202-10-06	7/8"-14	6	3/8"	10	62	36	7/8	1		
C202-08-08	3/4"-16	8	1/2"	12	68	34	7/8	7/8		
C202-10-08	7/8"-14	8	1/2"	12	69	36	7/8	1		
C202-10-10	7/8"-16	10	5/8"	16	75	36	7/8	1		
C202-12-10	1.1/16"-12	10	5/8"	16	81	42	1.1/16	1.1/4		
C202-12-12	1.1/16"-12	12	3/4"	20	81	42	1.1/16	1.1/4		
C202-16-16	1.5/16"-12	16	1"	25	96	50	1.1/2	1.3/8		
C202-20-16	1.5/8"-12	16	1"	25	104	59	2	2		
C202-20-20	1.5/8"-12	20	1.1/4"	32	106	59	2	2		
C202-24-24	1.7/8"-12	24	1.1/2"	40	120	60	2.1/4	2.1/8		
C202-32-32	2"	32	2"	50	136	65	2.1/2	2.7/8		
C402 For Use Spiral Wire Hose										
C402-06-06	9/16"-18	6	3/8"	10	59	31	11/16	11/16		
C402-08-06	3/4"-16	6	3/8"	10	61	33	11/16	7/8		
C402-08-08	3/4"-16	8	1/2"	12	68	34	7/8	7/8		
C402-10-08	7/8"-14	8	1/2"	12	69	36	7/8	1		
C402-12-12	1.1/16"-12	12	3/4"	20	81	42	1.1/16	1.1/4		
C402-16-16	1.5/16"-12	16	1"	25	97	50	1.1/2	1.3/8		
C402-20-16	1.5/8"-12	16	1"	25	104	59	1.5/8	2		
C402-20-20	1.5/8"-12	20	1.1/4"	32	106	59	1.7/8	2		
C402-24-24	1.7/8"-12	24	1.1/2"	40	120	60	2.1/8	2.1/8		
C402-32-32	2"	32	2"	50	136	65	2.1/2	2.7/8		

STANDARD PRODUCT

*Female JIC 37° Swivel
45° Elbow*

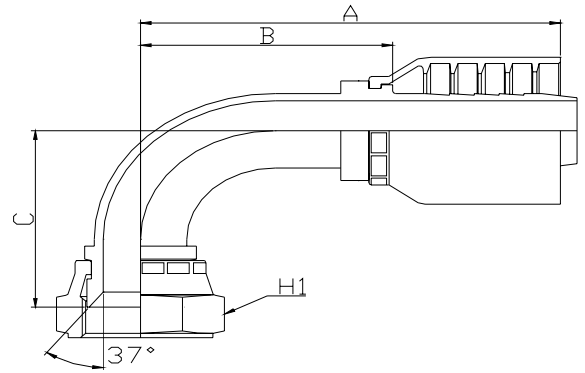


Part NO.	Thread	Hose Bore			Dimension inch				
	T	Size	Inch	DN	A	B	C	H1	
C242 For Use Wire Braid Hose									
C242-04-04	7/16"-20	4	1/4"	6	56	34	13	9/16	
C242-05-04	1/2"-20	4	1/4"	6	55	33	14	11/16	
C242-06-04	9/16"-18	4	1/4"	6	56	34	10	11/16	
C242-06-06	9/16"-18	6	3/8"	10	64	36	17	11/16	
C242-08-06	3/4"-16	6	3/8"	10	65	37	16	7/8	
C242-08-08	3/4"-16	8	1/2"	12	77	44	18	7/8	
C242-10-08	7/8"-14	8	1/2"	12	79	46	20	1	
C242-10-10	7/8"-14	10	5/8"	16	82	54	21	1	
C242-12-10	1.1/16"-12	10	5/8"	16	109	81	21	1.1/4	
C242-12-12	1.1/16"-12	12	3/4"	20	109	70	21	1.1/4	
C242-16-16	1.5/16"-12	16	1"	25	126	81	28	1.1/2	
C242-20-20	1.5/8"-12	20	1.1/4"	32	155	110	40	2	
C242-24-24	1.7/8"-12	24	1.1/2"	40	177	117	41	2.1/8	
C242-32-32	2"	32	2"	50				2.7/8	
C442 For Use Spiral Wire Hose									
C442-06-06	9/16"-18	6	3/8"	10	64	36	17	11/16	
C442-08-08	3/4"-16	8	1/2"	12	77	44	18	7/8	
C442-10-08	7/8"-14	8	1/2"	12	79	46	20	1	
C442-12-12	1.1/16"-12	12	3/4"	20	109	70	21	1.1/4	
C442-16-16	1.5/16"-12	16	1"	25	126	81	28	1.1/2	
C442-20-20	1.5/8"-12	20	1.1/4"	32	155	110	40	2	
C442-24-24	1.7/8"-12	24	1.1/2"	40	177	117	41	2.1/8	
C442-32-32	2"	32	2"	50				2.7/8	

STANDARD PRODUCT

C292 & C492

Female JIC 37° Swivel
90° Elbow

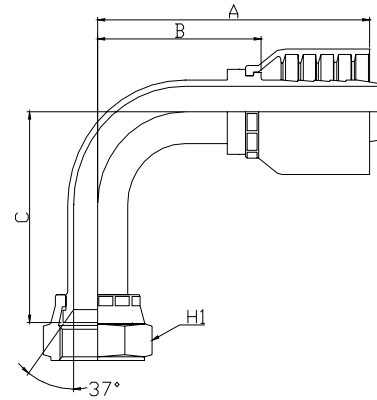


Part NO.	Thread	Hose Bore			Dimension [inch]				
	T	Size	Inch	DN	A	B	C	H1	
C292 For Use Wire Braid Hose									
C292-04-04	7/16"-20	4	1/4"	6	49	27	31	9/16	
C292-05-04	1/2"-20	4	1/4"	6	51	29	28	11/16	
C292-06-04	9/16"-18	4	1/4"	6	52	30	28	11/16	
C292-05-05	1/2"-20	5	5/16"	8	50	30	28	11/16	
C292-04-06	7/16"-20	6	3/8"	10	62	34	34	9/16	
C292-06-06	9/16"-18	6	3/8"	10	58	30	34	11/16	
C292-08-06	3/4"-16	6	3/8"	10	61	33	36	7/8	
C292-06-08	9/16"-18	8	1/2"	12	65	37	40	11/16	
C292-08-08	3/4"-16	8	1/2"	12	70	37	41	7/8]	
C292-10-08	7/8"-14	8	1/2"	12	71	38	42	1	
C292-12-08	1.1/16"-12	8	1/2"	12	93	60	67	1.1/	
C292-10-10	7/8"-14	10	5/8"	16	87	49	40	1	
C292-12-10	1.1/16"-12	10	5/8"	16	99	61	67	1.1/4	
C292-12-12	1.1/16"-12	12	3/4"	20	100	61	67	1.1/4	
C292-16-16	1.5/16"-12	16	1"	25	123	78	79	1.1/2	
C292-20-20	1.5/8"-12	20	1.1/4"	32	143	98	82	2	
C292-24-24	1.7/8"-12	24	1.1/2"	40	150	90	89	2.1/8	
C292-32-32	2"	32	2"	50				2.7/8	
C492 For Use Spiral Wire Hose									
C492-06-06	9/16"-18	6	3/8"	10	58	30	34	11/16	
C492-08-08	3/4"-16	8	1/2"	12	70	37	41	7/8	
C492-10-08	7/8"-14	8	1/2"	12	71	38	42	1	
C492-12-12	1.1/16"-12	12	3/4"	20	100	61	67	1.1/4	
C492-16-16	1.5/16"-12	16	1"	25	123	78	79	1.1/2	
C492-20-20	1.5/8"-12	20	1.1/4"	32	143	98	82	50[2]	
C492-24-24	1.7/8"-12	24	1.1/2"	40	150	90	89	2.1/8	
C492-32-32	2"	32	2"	50				2.7/8	

STANDARD PRODUCT

C282 & C482

Female JIC 37° Swivel
90° Elbow Long

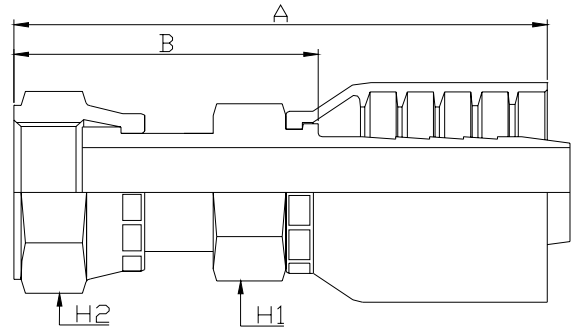


Part NO.	Thread	Hose Bore			Dimension [inch]				
	T	Size	Inch	DN	A	B	C	H1	
C282 For Use Wire Braid Hose									
C282-04-04	7/16"-20	4	1/4"	6	49	27	46	9/16	
C282-05-04	1/2"-20	4	1/4"	6	51	29	46	11/16	
C282-06-06	9/16"-18	6	3/8"	10	58	30	55	11/16	
C282-08-06	3/4"-16	6	3/8"	10	61	33	62	7/8	
C282-08-08	3/4"-16	8	1/2"	12	70	37	62	7/8	
C282-10-08	7/8"-14	8	1/2"	12	71	38	65	1	
C282-10-10	7/8"-14	10	5/8"	16	87	49	65	1	
C282-12-12	1.1/16"-12	12	3/4"	20	100	61	95	1.1/4	
C282-16-16	1.5/16"-12	16	1"	25	123	78	110	1.1/2	
C282-20-20	1.5/8"-12	20	1.1/4"	32	143	98	134	2[50]	
C482 For Use Spiral Wire Hose									
C482-06-06	9/16"-18	6	3/8"	10	58	30	55	11/16	
C482-08-08	3/4"-16	8	1/2"	12	70	37	62	7/8	
C482-12-12	1.1/16"-12	12	3/4"	20	100	61	95	1.1/4	
C482-16-16	1.5/16"-12	16	1"	25	123	78	-	1.1/2	

STANDARD PRODUCT

E205 & E405

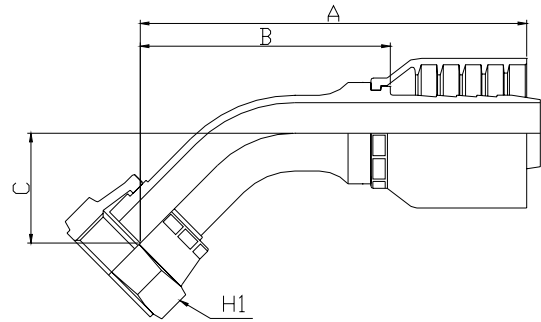
Female Seal-Lok Swivel Straight(Long) O-Ring Face Seal



Part NO.	Thread	Hose Bore			Dimension					
	T	Size	Inch	DN	A	B	H1	H2		
E205 For Use Wire Braid Hose										
E205-04-04	9/16"-18	4	1/4"	6	52	33	9/16	11/16		
E205-06-04	11/16"-16	4	1/4"	6	54	36	11/16	13/16		
E205-08-04	13/16"-16	4	1/4"	6	58	39	11/16	15/16		
E205-04-06	9/16"-18	6	3/8"	10	56	30	11/16	11/16		
E205-06-06	11/16"-16	6	3/8"	10	57	32	11/16	13/16		
E205-08-06	13/16"-16	6	3/8"	10	64	38	11/16	15/16		
E205-10-06	1"-14	6	3/8"	10	67	38	11/16	1.1/8		
E205-06-08	11/16"-16	8	1/2"	12	63	32	13/16	13/16		
E205-08-08	13/16"-16	8	1/2"	12	67	36	13/16	15/16		
E205-10-08	1"-14	8	1/2"	12	23	42	13/16	1.1/8		
E205-12-08	1.3/16"-12	8	1/2"	12	81	49	15/16	1.3/8		
E205-08-10	13/16"-16	10	5/8"	16	71	35	15/16	15/16		
E205-10-10	1"-14	10	5/8"	16	77	38	15/16	1.1/8		
E205-12-10	1.3/16"-12	10	5/8"	16	83	47	1	1.3/8		
E205-10-12	1"-14	12	3/4"	20	78	42	1.1/16	1.1/8		
E205-12-12	1.3/16"-12	12	3/4"	20	84	48	1.1/8	1.3/8		
E205-16-12	1.7/16"-12	12	3/4"	20	86	49	1.1/4	1.5/8		
E205-12-16	1.3/16"-12	16	1"	25	89	49	1.5/16	1.3/8		
E205-16-16	1.7/16"-12	16	1"	25	91	51	1.3/8	1.5/8		
E205-20-16	1.11/16"-12	16	1"	25	92	52	1.3/8	1.7/8		
E205-16-20	1.7/16"-12	20	1.1/4"	32	103	61	1.3/4	1.5/8		
E205-20-20	1.11/16"-12	20	1.1/4"	32	96	55	1.3/4	1.7/8		
E205-24-20	2"-12	20	1.1/4"	32	98	57	1.3/4	2.1/4		
E205-24-24	2"-12	24	1.1/2"	40	98	65	1.7/8	2.1/4		
E405 For Use Spiral Wire Hose										
E405-06-06	11/16"-16	6	3/8"	10	58	35	11/16	13/16		
E405-08-08	13/16"-16	8	1/2"	12	67	37	13/16	15/16		
E405-10-12	1"-14	12	3/4"	20	79	44	1.1/16	1.1/8		
E405-12-12	1.3/16"-12	12	3/4"	20	84	52	1.1/8	1.3/8		
E405-16-12	1.7/16"-12	12	3/4"	20	89	55	1.5/16	1.5/8		
E405-16-16	1.7/16"-12	16	1"	25	97	57	1.5/16	1.5/8		
E405-20-20	1.11/16"-12	20	1.1/4"	32	101	58	1.3/4	1.7/8		
E405-24-24	2"-12	24	1.1/2"	40	117	62	1.7/8	2.1/4		

E245 & E445

Female "Seal-Lok" Swivel 45° Elbow O-Ring Face Seal

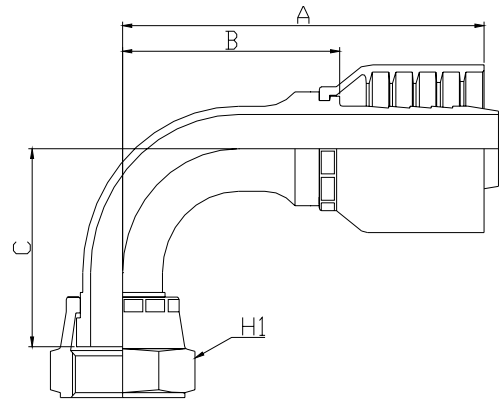


Part NO.	Thread	Hose Bore			Dimension					
	T	Size	Inch	DN	A	B	C	H1		
E245 For Use Wire Braid Hose										
E245-04-04	9/16"-18	4	1/4"	6	56	38	10	11/16		
E245-06-04	11/16"-16	4	1/4"	6	58	40	11	13/16		
E245-08-04	13/16"-16	4	1/4"	6	64	46	10	15/16		
E245-06-05	11/16"-16	5	5/16"	8	60	39	11	13/16		
E245-04-06	9/16"-18	6	3/8"	10	60	34	10	11/16		
E245-06-06	11/16"-16	6	3/8"	10	62	37	11	13/16		
E245-08-06	13/16"-16	6	3/8"	10	71	46	15	15/16		
E245-06-08	11/16"-16	6	1/2"	12	68	36	15	13/16		
E245-08-08	13/16"-16	8	1/2"	12	74	42	15	15/16		
E245-10-08	1"-14	8	1/2"	12	80	49	17	1.1/8		
E245-12-08	1.3/16"-14	8	1/2"	12	91	59	21	1.3/8		
E245-08-10	13/16"-12	8	5/8"	16	74	38	15	15/16		
E245-10-10	1"-14	10	5/8"	16	86	50	16	1.1/8		
E245-12-10	1.3/16"-12	10	5/8"	16	97	51	21	1.3/8		
E245-10-12	1"-14	12	3/4"	20	85	49	16	1.1/8		
E245-12-12	1.3/16"-12	12	3/4"	20	88	52	21	1.3/8		
E245-16-12	1.7/16"-12	12	3/4"	20	117	81	29	1.5/8		
E245-12-16	1.3/16"-12	16	1"	25	103	62	21	1.3/8		
E245-16-16	1.7/16"-12	16	1"	25	125	85	29	1.5/8		
E245-20-16	1.11/16"-12	16	1"	25	115	74	25	1.7/8		
E245-16-20	1.7/16"-12	20	1.1/4"	32	120	78	25	1.7/8		
E245-20-20	1.11/16"-12	20	1.1/4"	32	117	75	24	1.5/8		
E245-24-20	2"-12	20	1.1/4"	32	125	84	28	2.1/4		
E245-24-24	2"-12	24	1.1/2"	40	118	85	27	2.1/4		
E445 For Use Spiral Wire Hose										
E445-06-06	11/16"-16	6	3/8"	10	62	39	11	13/16		
E445-08-08	13/16"-16	8	1/2"	12	74	43	15	15/16		
E445-12-12	1.3/16"-12	12	3/4"	20	95	61	21	1.3/8		
E445-16-12	1.7/16"-12	12	3/4"	20	127	93	29	1.5/8		
E445-16-16	1.7/16"-12	16	1"	25	137	78	29	1.5/8		
E445-20-20	1.11/16"-12	20	1.1/4"	32	121	78	25	1.7/8		
E445-24-24	2"-12	24	1.1/2"	40	137	82	27	2.1/4		

STANDARD PRODUCT

E295 & E495

Female "Seal-Lok" Swivel
90° Elbow O-Ring Face Seal

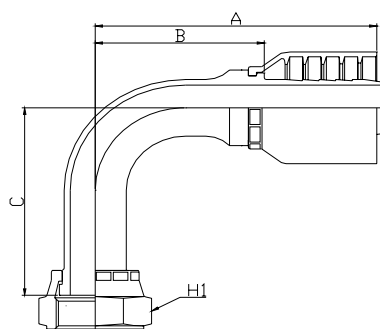


Part NO.	Thread	Hose Bore			Dimension					
	T	Size	Inch	DN	A	B	C	H1		
E295 For Use Wire Braid Hose										
E295-04-04	9/16"-18	4	1/4"	6	56	30	25	11/16		
E295-06-04	11/16"-16	4	1/4"	6	56	30	25	13/16		
E295-08-04	13/16"-16	4	1/4"	6	56	30	25	15/16		
E295-06-05	42690	5	5/8"	8	60	32	28	13/16		
E295-04-06	9/16"-18	6	3/8"	10	62	34	29	11/16		
E295-06-06	11/16"-16	6	3/8"	10	62	34	30	13/16		
E295-08-06	13/16"-16	6	3/8"	10	62	34	31	15/16		
E295-06-08	11/16"-16	6	1/2"	12	62	34	32	13/16		
E295-08-08	13/16"-16	8	1/2"	12	67	37	35	15/16		
E295-10-08	1"-14	8	1/2"	12	67	37	36	1.1/8		
E295-12-08	1.3/16"-12	8	1/2"	12	67	37	37	1.3/8		
E295-08-10	13/16"-16	8	5/8"	16	67	37	37	15/16		
E295-10-10	1"-14	10	5/8"	16	96	49	39	1.1/8		
E295-12-10	1.3/16"-12	10	5/8"	16	96	49	40	1.3/8		
E295-10-12	1"-14	12	3/4"	20	99	58	49	1.1/8		
E295-12-12	1.3/16"-12	12	3/4"	20	99	58	50	1.3/8		
E295-16-12	1.7/16"-12	12	3/4"	20	99	58	50	1.5/8		
E295-12-16	1.3/16"-12	16	1"	25	120	73	60	1.3/8		
E295-16-16	1.7/16"-12	16	1"	25	120	73	61	1.5/8		
E295-20-16	1.11/16"-12	16	1"	25	120	73	63	1.7/8		
E295-16-20	1.7/16"-12	20	1.1/4"	32	125	81	75	1.5/8		
E295-20-20	1.11/16"-12	20	1.1/4"	32	125	81	76	1.7/8		
E295-24-20	2"-12	20	1.1/4"	32	125	81	77	2.1/4		
E295-24-24	2"-12	24	1.1/2"	40	139	85	80	2.1/4		
E495 For Use Spiral Wire Hose										
E495-06-06	11/16"-16	6	3/8"	10	62	34	30	13/16		
E495-08-08	13/16"-16	8	1/2"	12	67	37	36	15/16		
E495-12-12	1.3/16"-12	12	3/4"	20	100	59	50	1.3/8		
E495-16-16	1.7/16"-12	16	1"	25	121	74	61	1.5/8		
E495-20-20	1.11/16"-12	20	1.1/4"	32	121	74	63	1.7/8		
E495-24-24	2"-12	24	1.1/2"	40	140	86	81	2.1/4		

STANDARD PRODUCT

E285 & E485

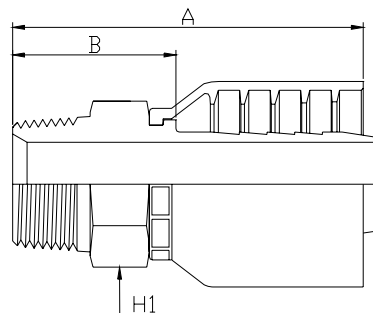
Female "Seal-Lok" Swivel
90° Elbow(Long) O-Ring Face Seal



Part NO.	Thread	Hose Bore			Dimension				
	T	Size	Inch	DN	A	B	C	H1	
E285 For Use Wire Braid Hose									
E285-04-04	9/16"-18	4	1/4"	6	46	28	46	1 1/16	
E285-06-06	11/16"-16	6	3/8"	10	61	36	54	1 3/16	
E285-10-10	1"-14	10	5/8"	16	81	45	70	1.1/8	
E485 For Use 4 Spiral Wire Hose									
E485-12-12	1.3/16"-12	12	3/4"	20	89	55	96	1.3/8	
E485-16-16	1.7/16"-12	16	1"	25	114	73	114	1.5/8	
E485-20-20	1.11/16"-12	20	1.1/4"	32	123	80	129	1.7/8	

S203 & S403

Male JIS Taper Pipe

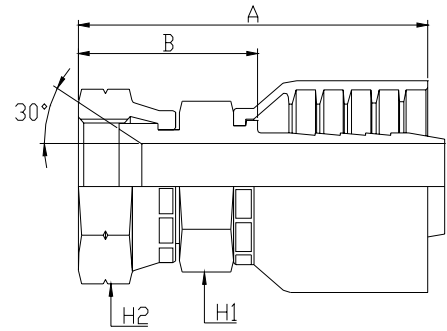


Part NO.	Thread	Hose Bore			Dimension				
	T	Size	Inch	DN	A	B	H1		
S203 For Use Wire Braid Hose									
S203-04-04	1/4"-19	4	1/4"	6	51	25	19		
S203-06-04	3/8"-19	4	1/4"	6	60	27	22		
S203-06-06	3/8"-19	6	3/8"	10	60	27	22		
S203-06-08	3/8"-19	8	1/2"	12	60	27	22		
S203-08-08	1/2"-14	8	1/2"	12	70	32	27		
S203-12-12	3/4"-14	12	3/4"	20	80	36	36		
S203-16-16	1"-11	16	1"	25	96	44	41		
S203-20-20	1.1/4"-11	20	1.1/4"	32	110	56	50		
S403 For Use SSiral Wire Hose									
S403-06-06	3/8"-19	6	3/8"	10	60	27	22		
S403-08-08	1/2"-14	8	1/2"	12	70	32	27		
S403-12-12	3/4"-14	12	3/4"	20	80	36	36		
S403-16-16	1"-11	16	1"	25	96	44	41		
S403-20-20	1.1/4"-11	20	1.1/4"	32	110	56	50		
S403-24-24	1.1/2"-11	24	1.1/4"	40	112	57	60		

STANDARD PRODUCT

K202 & K402

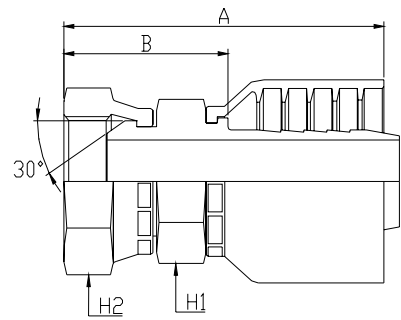
*KOMATSU Female Swivel
Straight 30° Flare*



Part NO.	Thread	Hose Bore			Dimension					
	T	Size	Inch	DN	A	B	H1	H2		
K202		<i>For Use Wire Braid Hose</i>								
K202-14-04	M14 X 1.5	4	1/4"	6	50	31	19	19		
K202-16-04	M16 X 1.5	4	1/4"	6	52	33	19	19		
K202-18-06	M18 X 1.5	6	3/8"	10	60	35	22	22		
K202-22-08	M22 X 1.5	8	1/2"	12	68	36	27	27		
K202-24-10	M24 X 1.5	10	5/8"	16	76	40	32	32		
K202-30-12	M30 X 1.5	12	3/4"	20	81	44	36	36		
K202-33-16	M33 X 1.5	16	1"	25	91	51	41	41		
K402		<i>For Use 4 Spiral Wire Hose</i>								
K202-18-06	M18 X 1.5	6	3/8"	10	60	35	22	22		
K202-22-08	M22 X 1.5	8	1/2"	12	68	36	27	27		

P201 & P401

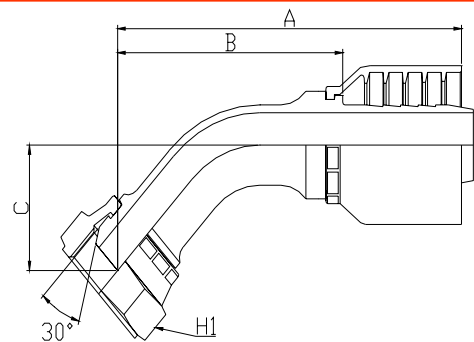
*Female BSP Parallel Pipe Swivel
Straight 60° Cone*



Part NO.	Thread	Hose Bore			Dimension					
	T	Size	Inch	DN	A	B	H1	H2		
P201 For Use Wire Braid Hose										
P201-04-04	1/4"-19	4	1/4"	6	51	29	17	19		
P201-06-06	3/8"-19	6	3/8"	10	59	31	19	22		
P201-08-08	1/2"-14	8	1/2"	12	69	36	22	27		
P201-10-10	5/8"-14	10	5/8"	16	72	38	27	27		
P201-12-12	3/4"-14	12	3/4"	20	78	40	27	36		
P201-16-16	1"-11	16	1"	25	94	48	36	41		
P201-20-20	1.1/4"-11	20	1.1/4"	32	109	62	46	50		
P401 For Use 4 Spiral Wire Hose										
P401-12-12	3/4"-14	12	3/4"	20	79	40	27	36		
P401-16-16	1"-11	16	1"	25	96	48	36	41		
P401-20-20	1.1/4"-11	20	1.1/4"	32	109	60	46	50		

P241 & P441

*Female BSP Parallel Pipe Swivel
45° Elbow 60° Cone*

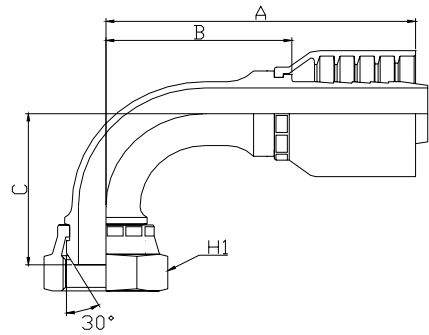


Part NO.	Thread	Hose Bore			Dimension					
	T	Size	Inch	DN	A	B	C	H1		
P241 For Use Wire Braid Hose										
P241-04-04	1/4"-19	4	1/4"	6	57	38	16	19		
P241-06-06	3/8"-19	6	3/8"	10	65	40	16	22		
P241-08-08	1/2"-14	8	1/2"	12	78	46	17	27		
P241-10-10	5/8"-14	10	5/8"	16	97	51	21	27		
P241-12-12	3/4"-14	12	3/4"	20	89	53	22	36		
P241-16-16	1"-11	16	1"	25	130	90	34	41		
P441 For Use Spiral Wire Hose										
P441-12-12	3/4"-14	12	3/4"	20	89	53	22	36		
P441-16-16	1"-11	16	1"	25	135	90	34	41		

STANDARD PRODUCT

P291 & P491

*Female BSP Parallel Pipe Swivel
90° Elbow 60° Cone*

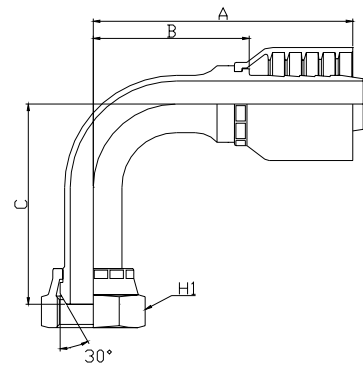


Part NO.	Thread	Hose Bore			Dimension			
	T	Size	Inch	DN	A	B	C	H1
P291	<i>For Use Wire Braid Hose</i>							
P291-04-04	1/4"-19	4	1/4"	6	56	30	26	19
P291-06-06	3/8"-19	6	3/8"	10	67	34	27	22
P291-08-08	1/2"-14	8	1/2"	12	81	43	31	27
P291-10-10	5/8"-14	10	5/8"	16				27
P291-12-12	3/4"-14	12	3/4"	20	104	59	49	36
P291-16-16	1"-11	16	1"	25	125	73	57	41
P291-20-20	1.1/4"-11	20	1.1/4"	32	142	100	87	50
P491	<i>For Use 4 Spiral Wire Hose</i>							
P491-12-12	3/4"-14	12	3/4"	20	105	59	49	36
P491-16-16	1"-11	16	1"	25	127	73	57	41
P491-20-20	1.1/4"-11	20	1.1/4"	32	142	100	87	50

STANDARD PRODUCT

P281 & P481

*Female BSP Parallel Pipe Swivel
45° Elbow 60° Cone Long*

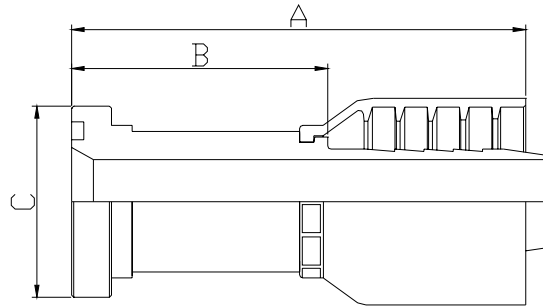


Part NO.	Thread	Hose Bore			Dimension			
	T	Size	Inch	DN	A	B	C	H1
P281	<i>For Use Wire Braid Hose</i>							
P281-04-04	1/4"-19	4	1/4"	6	53	34	38	19
P281-08-08	1/2"-14	8	1/2"	12	67	35	49	27
P281-16-16	1"-11	16	1"	25	120	79	130	41
P481	<i>For Use Spiral Wire Hose</i>							
P481-12-12	3/4"-14	12	3/4"	20	-	-	-	36
P481-16-16	1"-11	16	1"	25	-	-	-	41

STANDARD PRODUCT

F201 & F401

SAE Code 61 Flange
Straight

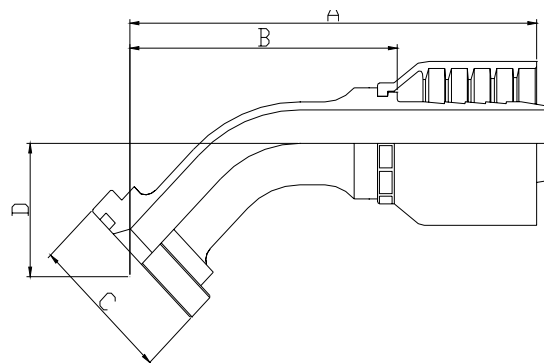


Part NO.	Flange Size	Hose Bore			Dimension					
		Size	Inch	DN	A	B	C			
F201 For Use Wire Braid Hose										
F201-08-08	1/2"	8	1/2"	12	85	53	1.3/16			
F201-12-08	3/4"	8	1/2"	12	87	55	1.1/2			
F201-12-12	3/4"	12	3/4"	20	85	48	1.1/2			
F201-16-12	1"	12	3/4"	20	90	54	1.3/4			
F201-16-16	1"	16	1"	25	93	52	1.3/4			
F201-20-16	1.1/4"	16	1"	25	99	58	2			
F201-20-20	1.1/4"	20	1.1/4"	32	119	77	2			
F201-24-20	1.1/2"	20	1.1/4"	32	122	80	2.3/8			
F201-32-20	2"	20	1.1/4"	32	121	79	2.13/16			
F201-24-24	1.1/2"	24	1.1/2"	40	114	79	2.3/8			
F201-32-24	2"	24	1.1/2"	40	113	79	2.13/16			
F201-24-32	1.1/2"	32	2"	50	117	84	2.3/8			
F201-32-32	2"	32	2"	50	120	81	2.13/16			
F401 For Use Spiral Wire Hose										
F401-12-12	3/4"	12	3/4"	20	85	48	1.1/2			
F401-16-12	1"	12	3/4"	20	90	54	1.3/4			
F401-16-16	1"	16	1"	25	93	52	1.3/4			
F401-20-20	1.1/4"	20	1.1/4"	32	119	77	2			
F401-24-24	1.1/2"	24	1.1/2"	40	114	79	2.3/8			
F401-32-32	2"	32	2"	50	120	81	2.13/16			

STANDARD PRODUCT

F241 & F441

SAE Code 61 Flange
45° Elbow

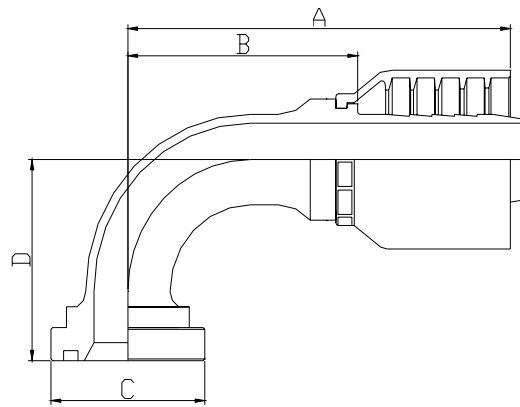


Part NO.	Flange Size	Hose Bore			Dimension					
		Size	Inch	DN	A	B	C	D		
F241 For Use Wire Braid Hose										
F241-08-08	1/2"	8	1/2"	12	84	52	1.3/16	20		
F241-12-08	3/4"	8	1/2"	12	85	53	1.1/2	21		
F241-12-12	3/4"	12	3/4"	20	114	77	1.1/2	27		
F241-16-12	1"	12	3/4"	20	92	56	1.3/4	25		
F241-16-16	1"	16	1"	25	103	67	1.3/4	27		
F241-20-16	1.1/4"	16	1"	25	104	64	2	27		
F241-20-20	1.1/4"	20	1.1/4"	32	114	72	2	29		
F241-24-20	1.1/2"	20	1.1/4"	32	127	87	2.3/8	30		
F241-24-24	1.1/2"	24	1.1/2"	40	139	105	2.3/8	36		
F241-32-24	2"	24	1.1/2"	40	138	105	2.13/16	36		
F241-32-32	2"	32	2"	50	176	139	2.13/16	50		
F441 For Use Spiral Wire Hose										
F441-12-12	3/4"	12	3/4"	20	114	79	1.1/2	27		
F441-16-12	1"	12	3/4"	20	104	69	1.3/4	25		
F441-16-16	1"	16	1"	25	129	89	1.3/4	31		
F441-20-20	1.1/4"	20	1.1/4"	32	128	86	2	29		
F441-24-24	1.1/2"	24	1.1/2"	40	157	101	2.3/8	36		
F441-32-32	2"	32	2"	50	197	143	2.13/16	52		

STANDARD PRODUCT

F291 & F491

SAE Code 61 Flange
90° Elbow

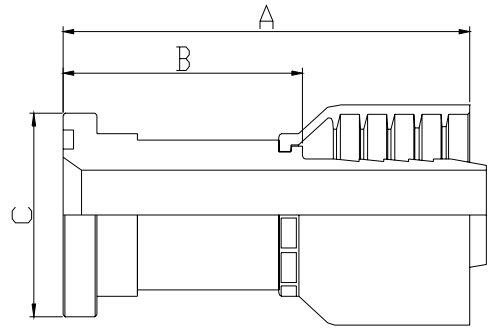


Part NO.	Flange Size	Hose Bore			Dimension					
		Size	Inch	DN	A	B	C	D		
F291		For Use Wire Braid Hose								
F291-08-08	1/2"	8	1/2"	12	67	37	1.3/16	42		
F291-12-08	3/4"	8	1/2"	12	70	41	1.1/2	55		
F291-16-08	1"	16	1"	25	71	42	1.3/4	70		
F291-12-10	3/4"	10	5/8"	16	80	49	1.1/2	58		
F291-12-12	3/4"	12	3/4"	20	99	58	1.1/2	59		
F291-16-12	1"	12	3/4"	20	102	63	1.3/4	72		
F291-16-16	1"	16	1"	25	120	73	1.3/4	72		
F291-20-16	1.1/4"	16	1"	25	121	74	2	79		
F291-20-20	1.1/4"	20	1.1/4"	32	125	81	2	80		
F291-24-20	1.1/2"	20	1.1/4"	32	122	79	2.3/8	81		
F291-24-24	1.1/2"	24	1.1/2"	40	139	105	2.3/8	82		
F291-32-24	2"	24	1.1/2"	40	138	105	2.13/16	113		
F291-32-32	2"	32	2"	50	164	126	2.13/16	114		
F491		For Use Spiral Wire Hose								
F491-12-12	3/4"	12	3/4"	20	99	58	1.1/2	59		
F491-16-12	1"	12	3/4"	20	103	63	1.3/4	72		
F491-16-16	1"	16	1"	25	122	73	1.3/4	72		
F491-20-20	1.1/4"	20	1.1/4"	32	127	81	2	80		
F491-24-24	1.1/2"	24	1.1/2"	40	142	105	2.3/8	82		
F491-32-32	2"	32	2"	50	166	126	2.13/16	114		

STANDARD PRODUCT

F202 & F402

SAE Code 62 Flange
Straight

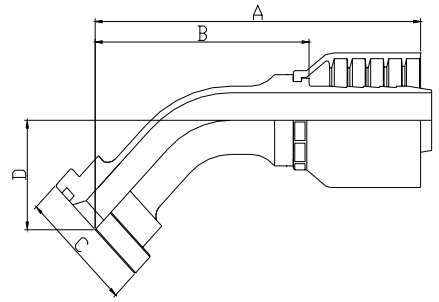


Part NO.	Flange Size	Hose Bore			Dimension					
		Size	Inch	DN	A	B	C			
F202 For Use Wire Braid Hose										
F202-12-12	3/4"	12	3/4"	20	83	48	1.5/8			
F202-16-16	1"	16	1"	25	94	84	1.7/8			
F202-20-20	1.1/4"	20	1.1/4"	32	127	77	2.1/8			
F202-24-24	1.1/2"	24	1.1/2"	40	160	105	2.1/2			
F202-32-32	2"	32	2"	50	185	131	3.1/8			
F402 For Use Spiral Wire Hose										
F402-12-12	3/4"	12	3/4"	20	85	50	1.5/8			
F402-16-12	1"	12	3/4"	20	109	74	1.7/8			
F402-16-16	1"	16	1"	25	96	56	1.7/8			
F402-20-16	1.1/4"	16	1"	25	126	86	2.1/8			
F402-20-20	1.1/4"	20	1.1/4"	32	129	86	2.1/8			
F402-24-24	1.1/2"	24	1.1/2"	40	163	107	2.1/2			
F402-32-32	2"	32	2"	50	187	133	3.1/8			

STANDARD PRODUCT

F242 & F292

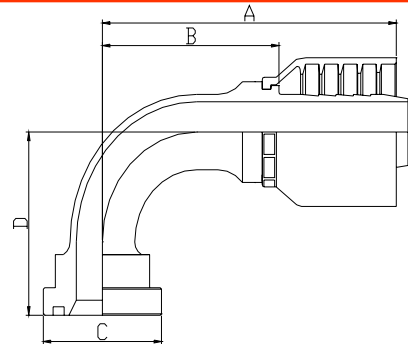
SAE Code 62 Flange
45° Elbow



Part NO.	Flange Size	Hose Bore			Dimension					
		Size	Inch	DN	A	B	C	D		
F242 For Use Wire Braid Hose										
F242-12-12	3/4"	12	3/4"	20	119	82	1.5/8	30		
F242-16-16	1"	16	1"	25	108	72	1.7/8	30		
F242-20-20	1.1/4"	20	1.1/4"	32	120	77	2.1/8	32		
F242-24-24	1.1/2"	24	1.1/2"	40	145	120	2.1/2	51		
F242-32-32	2"	32	2"	50	180	142	3.1/8	61		
F442 For Use 4 Spiral Wire Hose										
F442-12-12	3/4"	12	3/4"	20	119	82	1.5/8	30		
F442-16-16	1"	16	1"	25	108	72	1.7/8	30		
F442-20-20	1.1/4"	20	1.1/4"	32	120	77	2.1/8	32		
F442-24-24	1.1/2"	24	1.1/2"	40	145	120	2.1/2	51		
F442-32-32	2"	32	2"	50	180	142	3.1/8	61		

F292 & F492

SAE Code 62 Flange
90° Elbow

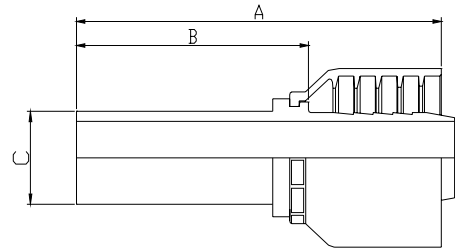


Part NO.	Flange Size	Hose Bore			Dimension					
		Size	Inch	DN	A	B	C	D		
F292 For Use Wire Braid Hose										
F292-12-12	3/4"	12	3/4"	20	99	58	1.5/8	66		
F292-16-16	1"	16	1"	25	120	73	1.7/8	78		
F292-20-20	1.1/4"	20	1.1/4"	32	125	81	2.1/8	86		
F292-24-24	1.1/2"	24	1.1/2"	40	139	105	2.1/2	89		
F292-32-32	2"	32	2"	50	164	126	3.1/8	121		
F492 For Use Spiral Wire Hose										
F492-12-12	3/4"	12	3/4"	20	100	58	1.5/8	66		
F492-16-16	1"	16	1"	25	122	73	1.7/8	78		
F492-20-20	1.1/4"	20	1.1/4"	32	125	81	2.1/8	86		
F492-24-24	1.1/2"	24	1.1/2"	40	142	105	2.1/2	89		
F492-32-32	2"	32	2"	50	166	126	3.1/8	121		

STANDARD PRODUCT

N209

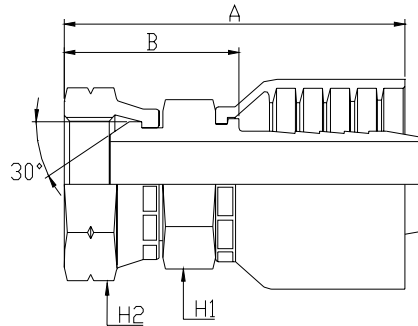
*Metric Standpipe
Straight DIN 2353*



Part NO.	Hose Bore			Dimension						
	Size	Inch	DN	A	B	C				
N209	For Use Wire Braid Hose									
N209-06-04	4	1/4"	6	50	28	6				
N209-08-04	4	1/4"	6	51	33	8				
N209-10-06	6	3/8"	10	58	29	10				
N209-12-06	6	3/8"	10	60	29	12				
N209-15-08	8	1/2"	12	66	35	15				
N209-18-10	10	5/8"	16	76	33	18				
N209-18-12	12	3/4"	20	71	31	18				
N209-22-12	12	3/4"	20	73	32	22				
N209-28-16	16	1"	25	86	45	28				

N201 & N401

*Metric Female 60° Cone
DIN 3863*

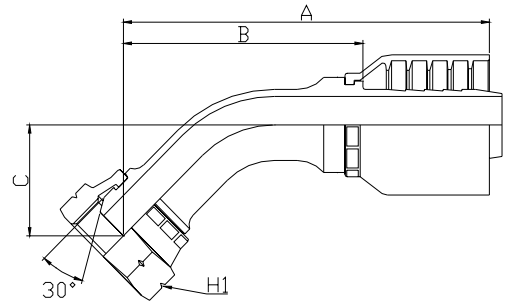


Part NO.	Thread	Hose Bore			Dimension					
	T	Size	Inch	DN	A	B	H1	H2		
N201	For Use Wire Braid Hose									
N201-16-04	M16 X 1.5	4	1/4"	6	49	21	19	19		
N201-18-04	M18 X 1.5	4	1/4"	6	49	21	22	22		
N201-20-05	M20 X 1.5	5	5/16"	8	51	22	24	24		
N201-20-06	M20 X 1.5	6	3/8"	10	59	22	24	24		
N201-22-06	M22 X 1.5	6	3/8"	10	59	22	26	26		
N201-24-08	M24 X 1.5	8	1/2"	12	67	22	30	30		
N201-30-12	M30 X 2	12	3/4"	20	73	25	36	36		
N201-36-12	M36 X 2	12	3/4"	20	76	27	46	46		
N201-42-16	M42 X 2	16	1"	25	90	28	50	50		
N401	For Use Spiral Wire Hose									
N401-30-12	M30 X 1.5	12	3/4"	20	73	27	36	36		
N401-38-16	M38 X 1.5	16	1"	25	76	29	46	46		
N401-45-20	M45 X 1.5	20	1.1/4"	32	90	29	50	50		

STANDARD PRODUCT

N241 & N441

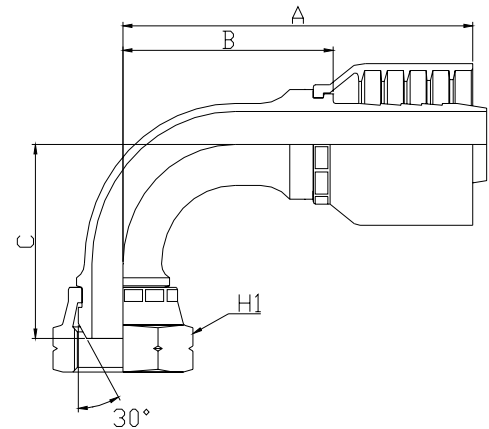
Metric Female 60° Cone
45° Elbow DIN 3863



Part NO.	Thread	Hose Bore			Dimension					
	T	Size	Inch	DN	A	B	C	H1		
N241	For Use Wire Braid Hose									
N241-30-12	M30 X 1.5	12	3/4"	20	89	53	22	36		
N241-38-16	M38 X 1.5	16	1"	25	130	90	34	41		
N241-45-20	M45 X 1.5	20	1.1/4"	32	142	98	40	50		
N441	For Use 4 Spiral Wire Hose									
N441-30-12	M30 X 1.5	12	3/4"	20	92	53	22	36		
N441-38-16	M38 X 1.5	16	1"	25	132	90	34	41		
N441-45-20	M45 X 1.5	20	1.1/4"	32	143	98	40	50		

N291 & N491

Metric Female 60° Cone
90° Elbow DIN 3863

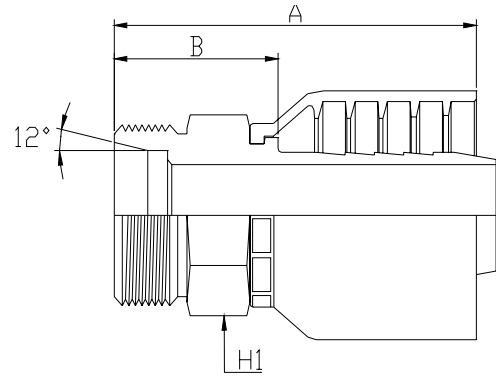


Part NO.	Thread	Hose Bore			Dimension					
	T	Size	Inch	DN	A	B	C	H1		
N291	For Use Wire Braid Hose									
N291-30-12	M30 X 1.5	12	3/4"	20	104	59	49	36		
N291-38-16	M38 X 1.5	16	1"	25	125	73	57	41		
N291-45-20	M45 X 1.5	20	1.1/4"	32	142	100	87	50		
N491	For Use Spiral Wire Hose									
N491-30-12	M30 X 1.5	12	3/4"	20	105	61	49	36		
N491-38-16	M38 X 1.5	16	1"	25	125	73	57	41		
N491-45-20	M45 X 1.5	20	1.1/4"	32	142	100	87	50		

STANDARD PRODUCT

N20B & N40B

*Metric Male 24° Cone Seat
L.T. DIN 3853*

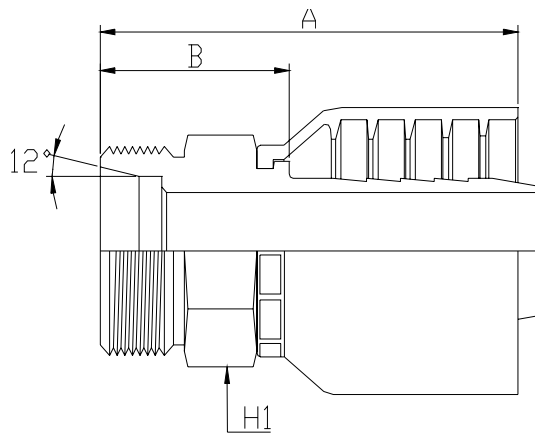


Part NO.	Thread	Hose Bore			Dimension					
	T	Size	Inch	DN	A	B	H1			
N20B For Use Wire Braid Hose										
N20B-14-04	M14 X 1.5	4	1/4"	6	48	22	17			
N20B-16-06	M16 X 1.5	6	3/8"	10	56	23	17			
N20B-18-06	M18 X 1.5	6	3/8"	10	57	24	19			
N20B-22-08	M22 X 1.5	8	1/2"	12	64	25	22			
N20B-26-10	M26 X 1.5	10	5/8"	16	70	26	27			
N20B-30-12	M30 X 2.0	12	3/4"	20	73	29	30			
N20B-36-16	M36 X 2.0	16	1"	25	47	31	36			
N20B-45-20	M45 X 2.0	20	1.1/4"	32	96	41	46			
N40B For Use Spiral Wire Hose										
N20B-22-08	M22 X 1.5	8	1/2"	12	65	26	22			
N20B-26-10	M26 X 1.5	10	5/8"	16	72	27	27			
N40B-30-12	M30 X 2.0	12	3/4"	20	75	29	30			
N40B-36-16	M36 X 2.0	16	1"	25	75	31	36			
N40B-45-20	M45 X 2.0	20	1.1/4"	32	97	41	46			

STANDARD PRODUCT

N20D & N40D

*Metric Male 24° Cone Seat
H.T. DIN 3853*

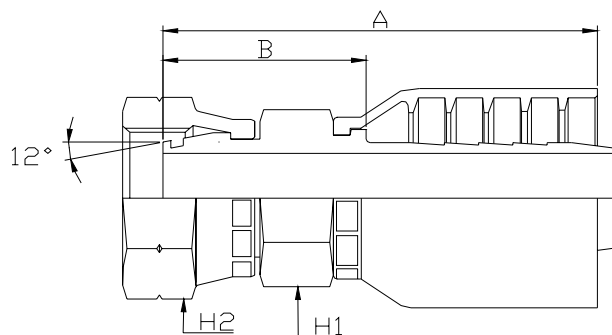


Part NO.	Thread	Hose Bore			Dimension					
	T	Size	Inch	DN	A	B	H1			
N20D		<i>For Use Wire Braid Hose</i>								
N20D-16-04	M16 X 1.5	4	1/4"	6	48	22	17			
N20D-18-04	M18 X 1.5	4	1/4"	6	48	22	19			
N20D-18-06	M18 X 1.5	6	3/8"	10	56	23	19			
N20D-20-06	M20 X 1.5	6	3/8"	10	56	23	22			
N20D-22-06	M22 X 1.5	6	3/8"	10	57	24	22			
N20D-24-08	M24 X 1.5	8	1/2"	12	64	25	30			
N20D-30-10	M30 X 2.0	10	5/8"	16	70	26	30			
N20D-36-12	M36 X 2.0	12	3/4"	20	73	29	36			
N20D-42-16	M42 X 2.0	16	1"	25	47	31	46			
N20D-52-20	M52 X 2.0	20	1.1/4"	32	96	41	55			
N40D		<i>For Use Spiral Wire Hose</i>								
N40D-36-12	M36 X 2.0	12	3/4"	20	73	29	36			
N40D-42-16	M42 X 2.0	16	1"	25	47	31	42			
N40D-52-20	M52 X 2.0	20	1.1/4"	32	96	41	55			

STANDARD PRODUCT

N207 & N407

*O-Ring Metric Female 24° Cone
L.T. DIN 3865*

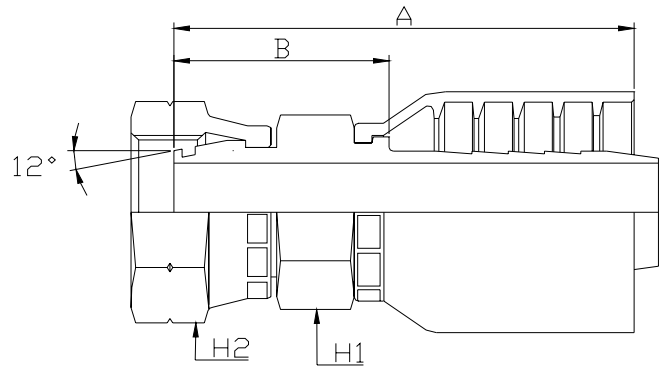


Part NO.	Thread	Hose Bore			Dimension					
	T	Size	Inch	DN	A	B	H1	H2	PIPE	
N207 For Use Wire Braid Hose										
N207-14-04	M14 X 1.5	4	1/4"	6	52	26	17	17	8	
N207-16-06	M16 X 1.5	6	3/8"	10	61	28	19	19	10	
N207-18-06	M18 X 1.5	6	3/8"	10	61	28	22	22	12	
N207-22-08	M22 X 1.5	8	1/2"	12	69	30	27	27	15	
N207-26-10	M26 X 1.5	10	5/8"	16	72	33	32	32	18	
N207-30-12	M30 X 2.0	12	3/4"	20	79	35	36	36	22	
N207-36-16	M36 X 2.0	16	1"	25	90	38	41	41	28	
N207-45-20	M45 X 2.0	20	1.1/4"	32	98	44	50	50	35	
N407 For Use Spiral Wire Hose										
N407-30-12	M30 X 2.0	12	3/4"	20	79	35	30	30	22	
N407-36-16	M36 X 2.0	16	1"	25	90	38	36	36	28	
N407-45-20	M45 X 2.0	20	1.1/4"	32	98	44	46	46	35	

STANDARD PRODUCT

N20H & N40H

*O-Ring Metric Female 24° Cone
H.T. DIN 3865*

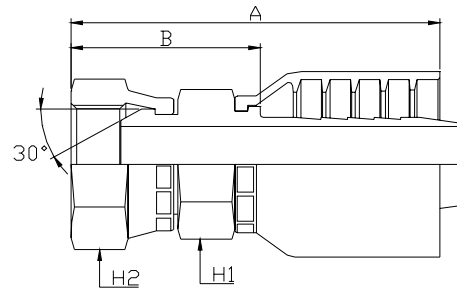


Part NO.	Thread	Hose Bore			Dimension					
	T	Size	Inch	DN	A	B	H1	H2	PIPE	
N20H		<i>For Use Wire Braid Hose</i>								
N20H-16-04	M16 X 1.5	4	1/4"	6	52	26	19	19	8	
N20H-18-04	M18 X 1.5	4	1/4"	6	52	26	22	22	10	
N20H-18-06	M18 X 1.5	6	3/8"	10	61	28	22	22	10	
N20H-20-06	M20 X 1.5	6	3/8"	10	61	28	24	24	12	
N20H-22-06	M22 X 1.5	6	3/8"	10	67	29	27	27	14	
N20H-24-08	M24 X 1.5	8	1/2"	12	69	30	30	30	16	
N20H-30-10	M30 X 2.0	10	5/8"	16	72	33	36	36	20	
N20H-36-12	M36 X 2.0	12	3/4"	20	79	35	41	41	25	
N20H-42-16	M42 X 2.0	16	1"	25	90	38	50	50	30	
N20H-52-20	M52 X 2.0	20	1.1/4"	32	98	44	60	60	38	
N40H		<i>For Use Spiral Wire Hose</i>								
N40H-36-12	M36 X 2.0	12	3/4"	20	79	35	41	41	25	
N40H-42-16	M42 X 2.0	16	1"	25	90	38	50	50	30	
N40H-52-20	M52 X 2.0	20	1.1/4"	32	98	44	60	60	38	

STANDARD PRODUCT

S201 & S401

Female JIS Parallel Pipe Swivel
Straight 60° Cone

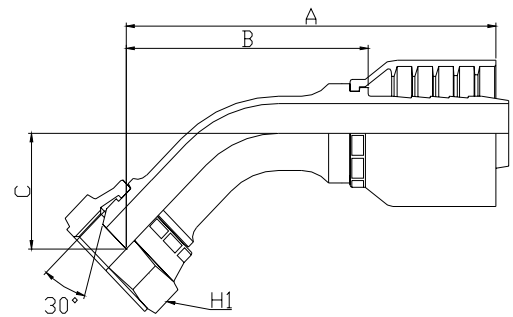


Part NO.	Thread	Hose Bore			Dimension					
	T	Size	Inch	DN	A	B	H1	H2		
S201 For Use Wire Braid Hose										
S201-04-04	1/4"-19	4	1/4"	6	51	29	19	19		
S201-06-06	3/8"-19	6	3/8"	10	59	31	22	22		
S201-08-08	1/2"-14	8	1/2"	12	69	36	27	27		
S201-12-10	3/4"-14	10	5/8"	16	72	38	27	32		
S201-12-12	3/4"-14	12	3/4"	20	78	40	32	36		
S201-16-16	1"-11	16	1"	25	94	48	36	41		
S201-20-20	1.1/4"-11	20	1.1/4"	32	109	62	46	50		
S401 For Use 4 Spiral Wire Hose										
S401-12-12	3/4"-14	12	3/4"	20	79	40	32	36		
S401-16-16	1"-11	16	1"	25	96	48	36	41		
S401-20-20	1.1/4"-11	20	1.1/4"	32	109	60	46	50		

STANDARD PRODUCT

S241 & S441

Female BSP Parallel Pipe Swivel
45° Elbow 60° Cone

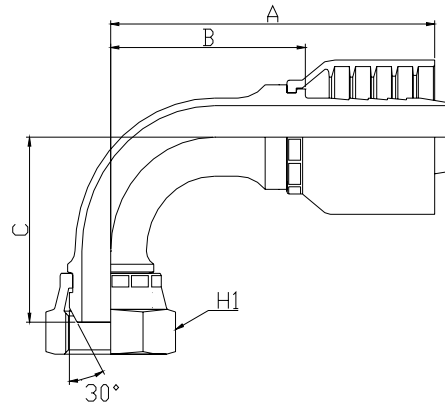


Part NO.	Thread	Hose Bore			Dimension					
	T	Size	Inch	DN	A	B	C	H1		
S241 For Use Wire Braid Hose										
S241-04-04	1/4"-19	4	1/4"	6	57	38	16	19		
S241-06-06	3/8"-19	6	3/8"	10	65	40	16	22		
S241-08-08	1/2"-14	8	1/2"	12	78	46	17	27		
S241-10-10	5/8"-14	10	5/8"	16	97	51	21	27		
S241-12-12	3/4"-14	12	3/4"	20	89	53	22	36		
S241-16-16	1"-11	16	1"	25	130	90	34	41		
S441 For Use Spiral Wire Hose										
S441-12-12	3/4"-14	12	3/4"	20	89	53	22	36		
S441-16-16	1"-11	16	1"	25	135	90	34	41		

STANDARD PRODUCT

S291 & S491

*Female BSP Parallel Pipe Swivel
90° Elbow 60° Cone*

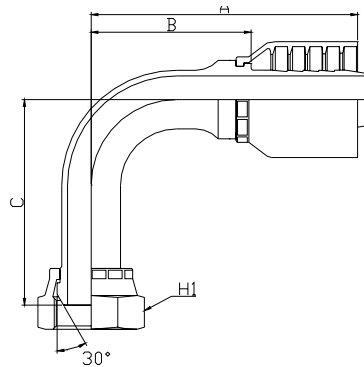


Part NO.	Thread	Hose Bore			Dimension					
	T	Size	Inch	DN	A	B	C	H1		
S291 For Use Wire Braid Hose										
S291-04-04	1/4"-19	4	1/4"	6	56	30	26	19		
S291-06-06	3/8"-19	6	3/8"	10	67	34	27	22		
S291-08-08	1/2"-14	8	1/2"	12	81	43	31	27		
S291-10-10	5/8"-14	10	5/8"	16				27		
S291-12-12	3/4"-14	12	3/4"	20	104	59	49	36		
S291-16-16	1"-11	16	1"	25	125	73	57	41		
S291-20-20	1.1/4"-11	20	1.1/4"	32	142	100	87	50		
S491 For Use 4 Spiral Wire Hose										
S491-12-12	3/4"-14	12	3/4"	20	105	59	49	36		
S491-16-16	1"-11	16	1"	25	127	73	57	41		
S491-20-20	1.1/4"-11	20	1.1/4"	32	142	100	87	50		

STANDARD PRODUCT

S281 & S481

*Female BSP Parallel Pipe Swivel
90° Long Elbow 60° Cone*

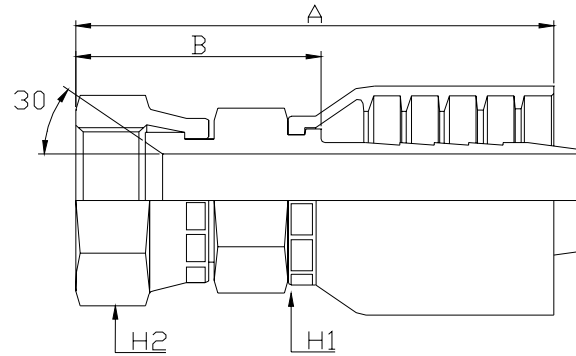


Part NO.	Thread	Hose Bore			Dimension					
	T	Size	Inch	DN	A	B	C	H1		
S281 For Use Wire Braid Hose										
S281-04-04	1/4"-19	4	1/4"	6	53	34	38	19		
S281-08-08	1/2"-14	8	1/2"	12	67	35	49	27		
S281-16-16	1"-11	16	1"	25	120	79	130	41		
S481 For Use Spiral Wire Hose										
S481-12-12	3/4"-14	12	3/4"	20	-	-	-	36		
S481-16-16	1"-11	16	1"	25	-	-	-	41		

STANDARD PRODUCT

S202 & S402

*Female JIS Parallel Pipe Swivel
Straight 30° Flare*

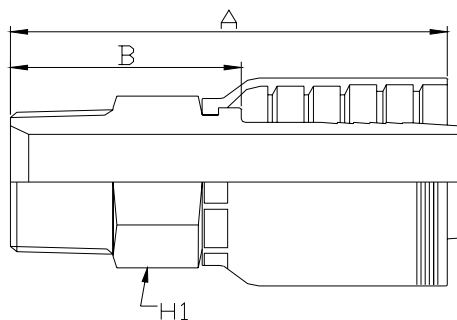


Part NO.	Thread	Hose Bore			Dimension					
	T	Size	Inch	DN	A	B	H1	H2		
S202 For Use Wire Braid Hose										
S202-04-04	1/4"-19	4	1/4"	6	51	29	17	19		
S202-06-06	3/8"-19	6	3/8"	10	59	31	22	22		
S202-08-08	1/2"-14	8	1/2"	12	69	36	27	27		
S202-12-10	3/4"-14	10	5/8"	16	72	38	27	32		
S202-12-12	3/4"-14	12	3/4"	20	78	40	32	36		
S202-16-16	1"-11	16	1"	25	94	48	36	41		
S202-20-20	1.1/4"-11	20	1.1/4"	32	109	62	46	46		
S202-24-24	1.1/2"-11	24	1.1/2"	45			50	50		
S202-32-32	2-11	32	2"	50						
S402 For Use Spiral Wire Hose										
S402-08-08	9/16"-18	8	1/2"	12	69	36	27	27		
S402-12-12	3/4"-16	12	3/4"	20	78	40	32	36		
S402-16-16	3/4"-16	16	1"	25	94	48	36	41		
S402-20-20	7/8"-14	20	1.1/4"	32	109	62	46	46		
S402-24-24	1.1/16"-12	24	1.1/2"	45			50	50		
S402-32-32	1.1/16"-12	32	2"	50						

STANDARD PRODUCT

E603

*SAE Taper Male
NPTF For SAE 100R 13 Hose
(6Spiral Hose)*

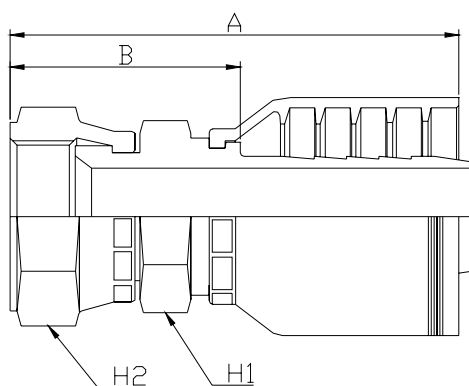


Part No.	Thread	Hose Bore			Dimension inch				
	T	Size	Inch	DN	A	B	H1		
E603	<i>For Use SAE 100R 13 Hose</i>								
E603-12-12	3/4"-14	12	3/4"	20	86	36.6	27 [1.1/16]		
E603-16-16	1"-11.5	16	1"	25	95	45.5	36 [1.3/8]		
E603-20-20	1.1/4"-11.5	20	1.1/4"	32	117	54	46 [1.11/16]		
E603-24-24	1.1/2"-11.5	24	1.1/2"	40	133	63	50 [2]		
E603-32-32	2"-11.5	32	2"	50	161	88.7	60 [2.1/2]		

■ STANDARD PRODUCT

C602

*Female JIC 37° Swivel
For SAE 100R 13 Hose
(6 Spiral Hose)*

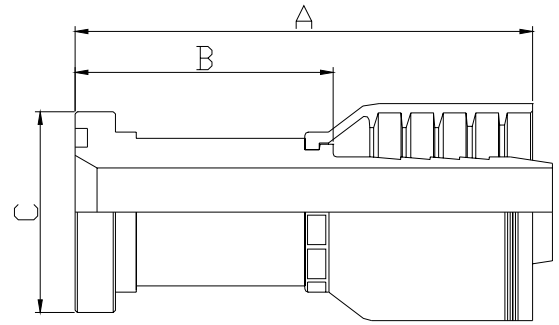


Part NO.	Thread	Hose Bore			Dimension [inch]			
	T	Size	Inch	DN	A	B	H1	H2
C602	<i>For Use SAE 100R13 Hose</i>							
C602-12-12	1.1/16"-12	12	3/4"	20	93	44	1.1/16	1.1/4
C602-16-16	1.5/16"-12	16	1"	25	105	54	1.1/2	1.3/8
C602-20-20	1.5/8"-12	20	1.1/4"	32	127	59	1.7/8	2
C602-24-24	1.7/8"-12	24	1.1/2"	40	133	62	2.1/8	2.1/8
C602-32-32	2"	32	2"	50	141	68	2.1/2	2.7/8

■ STANDARD PRODUCT

F601

*SAE Code 61 Flange Straight
For SAE 100R 13 Hose
(6Spiral)*

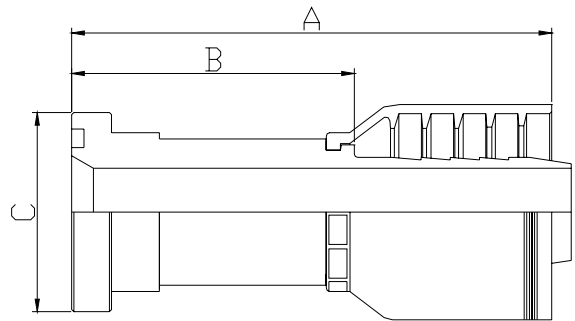


Part NO.	Flange Size	Hose Bore			Dimension					
		Size	Inch	DN	A	B	C			
F601	For Use SAE 100R 13 Hose									
F601-12-12	3/4"	12	3/4"	20	85	48	1.1/2			
F601-16-16	1"	16	1"	25	93	52	1.3/4			
F601-20-20	1.1/4"	20	1.1/4"	32	119	77	2			
F601-24-24	1.1/2"	24	1.1/2"	40	114	79	2.3/8			
F601-32-32	2"	32	2"	50	120	81	2.13/16			

STANDARD PRODUCT

F602

*SAE Code 62 Flange Straight
For SAE 100R 13 Hose
(6Spiral)*

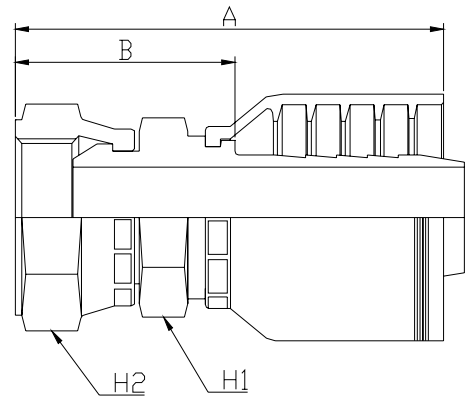


Part NO.	Flange Size	Hose Bore			Dimension					
		Size	Inch	DN	A	B	C			
F602	For Use SAE 100R 13 Hose									
F602-12-12	3/4"	12	3/4"	20	97	52	1.5/8			
F602-16-16	1"	16	1"	25	104	60	1.7/8			
F602-20-20	1.1/4"	20	1.1/4"	32	150	90	2.1/8			
F602-24-24	1.1/2"	24	1.1/2"	40	179	109	2.1/2			
F602-32-32	2"	32	2"	50	192	136	3.1/8			

STANDARD PRODUCT

P601

*Female JIS Parallel Pipe Swivel
Straight 60° Cone For
SAE 100R 13 Hose
(6Spiral Hose)*



Part NO.	Thread	Hose Bore			Dimension				
	T	Size	Inch	DN	A	B	H1	H2	
P601	For Use SAE 100R 13 Hose								
P601-12-12	3/4"-14	12	3/4"	20	90	43	32	36	
P601-16-16	1"-11	16	1"	25	102	52	36	41	
P601-20-20	1.1/4"-11	20	1.1/4"	32	130	67	46	50	
P601-24-24	3/4"-14	24	1.1/2"	40	153	82	55	55	
P601-32-32	1"-11	32	2"	50	161	88	60	73	

■ STANDARD PRODUCT

HIGH PRESSURE HOSE

WILCAT

SAE 100 R1

Tube: SBR

Plies: One high tensile steel wire

Cover: Abrasion resistant SBR



Part NO.	Hose I.D.	Hose O.D.	Maximum Working Pressure	Minimum Burst Pressure	Minimum Bend Radius	One Piece Non-Skive
WILDCAT-04	1/4	.528	2750	11000	3.93	200 Series
WILDCAT-06	3/8	.685	2250	9000	5.11	200 Series
WILDCAT-08	1/2	.811	2000	8000	7.08	200 Series
WILDCAT-10	5/8	.933	1500	6000	7.87	200 Series
WILDCAT-12	3/4	1.09	1250	5000	9.44	200 Series
WILDCAT-16	1	1.40	1000	4000	11.81	200 Series
WILDCAT-20	1-1/4	1.71	625	2600	16.53	200 Series
WILDCAT-24	1-1/2	1.99	500	2000	19.68	200 Series
WILDCAT-32	2	2.52	375	1500	24.08	200 Series

WILDCAT 2

SAE 100 R2

Tube : SBR

Plies: Two high tensile steel wires

Cover: Abrasion resistant SBR



Part NO.	Hose I.D.	Hose O.D.	Maximum Working Pressure	Minimum Burst Pressure	Minimum Bend Radius	One Piece Non-Skive
WILDCAT2-04	1/4	.59	5000	20000	3.93	200 Series
WILDCAT2-06	3/8	.748	4000	16000	5.11	200 Series
WILDCAT2-08	1/2	.874	3500	14000	7.08	200 Series
WILDCAT2-10	5/8	1.0	2750	11000	7.87	200 Series
WILDCAT2-12	3/4	1.15	2250	9000	9.44	200 Series
WILDCAT2-16	1	1.50	2000	8000	11.81	200 Series
WILDCAT2-20	1-1/4	1.90	1625	6500	16.53	200 Series
WILDCAT2-24	1-1/2	2.15	1250	5000	19.68	200 Series
WILDCAT2-32	2	2.65	1125	4500	24.80	200 Series

HIGH PRESSURE HOSE

SPITFIRE

2 SN

Tube : SBR

Plies: Two high tensile steel wires

Cover: Abrasion resistant SBR MSHA



Part NO.	Hose I.D.	Hose O.D.	Maximum Working Pressure	Minimum Burst Pressure	Minimum Bend Radius	One Piece Non-Skive
SPITFIRE-04	1/4	.591	5805	23250	3.93	200 Series
SPITFIRE-06	3/8	.748	4790	19000	5.11	200 Series
SPITFIRE-08	1/2	.874	3990	16000	7.08	200 Series
SPITFIRE-10	5/8	1.00	3625	14500	7.87	200 Series
SPITFIRE-12	3/4	1.154	3120	12325	9.44	200 Series
SPITFIRE-16	1	1.50	2395	9425	11.81	200 Series
SPITFIRE-20	1-1/4	1.90	1815	7250	16.53	200 Series
SPITFIRE-24	1-1/2	2.15	1305	5225	19.68	200 Series
SPITFIRE-32	2	2.65	1160	4650	24.80	200 Series

HYBRID PRESSURE HOSE

MUSTANG

SAE 100 R16

Tube: SBR

Plies: Two high tensile steel Wires

Cover: Abrasion resistant SBR



Part NO.	Hose I.D.	Hose O.D.	Maximum Working Pressure	Minimum Burst Pressure	Minimum Bend Radius	One Piece Non-Skive
MUSTANG-04	1/4	.567	5000	20000	1.96	200 Series
MUSTANG-06	3/8	.740	4000	16000	2.48	200 Series
MUSTANG-08	1/2	.862	3500	14000	3.46	200 Series
MUSTANG-10	5/8	1.0	2750	11000	3.93	200 Series
MUSTANG-12	3/4	1.138	2250	9000	4.72	200 Series
MUSTANG-16	1	1.437	2000	8000	5.90	200 Series

CORSAIR

SAE 100 R17

Tube : SBR

Plies: Up to 1/2" One high tensile Wire

From 5/8" Two high tensile Wires

Cover: Abrasion resistant SBR



Part NO.	Hose I.D.	Hose O.D.	Maximum Working Pressure	Minimum Burst Pressure	Minimum Bend Radius	One Piece Non-Skive
CORSAIR-04	1/4	.492	3000	12000	1.96	200 Series
CORSAIR-06	3/8	.650	3000	12000	2.55	200 Series
CORSAIR-08	1/2	.776	3000	12000	3.54	200 Series
CORSAIR-10	5/8	.945	3000	12000	4.13	200 Series
CORSAIR-12	3/4	1.102	3000	12000	4.92	200 Series
CORSAIR-16	1	1.425	3000	12000	5.90	200 Series

HIGHER PRESSURE HOSE

LIGHTNING

2 SN-K

Tube: SBR

Plies: Two high tensile steel wires

Cover: Abrasion resistant SBR MSHA



Part NO.	Hose I.D.	Hose O.D.	Maximum Working Pressure	Minimum Burst Pressure	Minimum Bend Radius	One Piece Non-Skive
LIGHTNING-04	1/4	.527	6530	26120	1.96	200 Series
LIGHTNING-06	3/8	.685	5500	22000	3.14	200 Series
LIGHTNING-08	1/2	.811	4700	18800	3.93	200 Series
LIGHTNING-10	5/8	.933	4200	16800	5.51	200 Series
LIGHTNING-12	3/4	1.09	3625	14500	7.08	200 Series
LIGHTNING-16	1	1.40	2755	11020	8.66	200 Series

VERY HIGH PRESSURE HOSE

TOMCAT

SAE 100 R12

Tube: SBR

Plies: Four high tensile spiral wires

Cover: Abrasion resistant
SBR MSHA BL or GY cover



Part NO.	Hose I.D.	Hose O.D.	Maximum Working Pressure	Minimum Burst Pressure	Minimum Bend Radius	One Piece Non-Skive
TOMCAT-06	3/8	.799	4000	16000	5.11	400 Series
TOMCAT-08	1/2	.937	4000	16000	7.08	400 Series
TOMCAT-12	3/4	1.21	4000	16000	9.44	400 Series
TOMCAT-16	1	1.50	4000	16000	11.81	400 Series
TOMCAT-20	1-1/4	1.85	3000	12000	16.53	400 Series
TOMCAT-24	1-1/2	2.11	2500	10000	19.68	400 Series
TOMCAT-32	2	2.63	2500	10000	24.80	400 Series

FALCON

4 SH

Tube: SBR

Plies: Four high tensile spiral wires

Cover: Abrasion resistant SBR
MSHA BL



Part NO.	Hose I.D.	Hose O.D.	Maximum Working Pressure	Minimum Burst Pressure	Minimum Bend Radius	One Piece Non-Skive
FALCON-12	3/4	1.268	6095	24500	11.02	400/600 Series
FALCON-16	1	1.524	5515	22000	13.38	400/600 Series
FALCON-20	1-1/4	1.791	5000	20000	18.11	400/600 Series
FALCON-24	1-1/2	2.106	4200	17000	22.04	400/600 Series
FALCON-32	2	2.681	3625	14500	27.55	400/600 Series