

KODAK Photo Printer 8800



User Guide



Eastman Kodak Company

343 State Street

Rochester, New York 14650

© Eastman Kodak Company, 2006

Kodak is a trademark of Eastman Kodak Company.

P/N 4J2007 Rev B December 12, 2006

Table of Contents

1 Setting Up the Printer

Before You Begin	1-1
Recommended Air Flow Clearances	1-1
Loading the Paper	1-2
Loading the Ribbon	1-6
Installing the Print Catcher	1-7
Connecting the Cables	1-8
Connecting the power cable	1-8
Connecting the USB cable	1-8
Turning On the Printer	1-8

2 Operating the Printer

Understanding the Operator Panel Lights	2-1
Using Setup Mode to Review Printer Settings	2-1
Accessing the Printer Settings	2-2
Working in Test Print Mode	2-2
Making a test print	2-2
Changing the quantity of test prints	2-3

Appendix A: Important Printer Information

Printer Specifications	A-1
------------------------------	-----

Appendix B: Safety and Regulatory Information

Important Safety Information	B-1
Safety Labels	B-2
Regulatory and Safety Compliance	B-2
Safety	B-2
Radio frequency interference	B-2
Noise emission	B-3
Disposal	B-3

1 Setting Up the Printer

Before You Begin

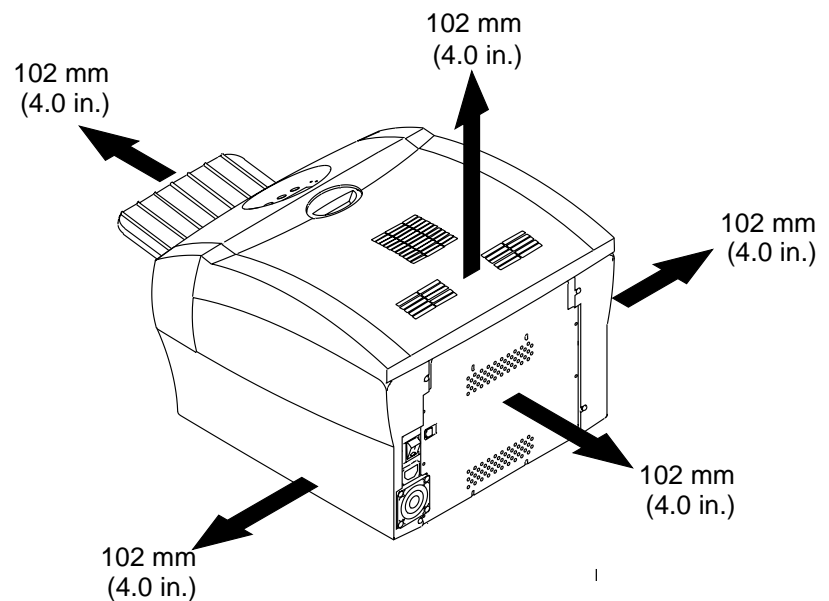
Have the following items available before you begin your printer setup:

- A KODAK Photo Print Kit that contains the correct size paper and ribbon for your printer.
- USB cable (included).

IMPORTANT: *The printer weighs 18 kg (40 lbs). Use caution when lifting or moving the printer.*

Recommended Air Flow Clearances

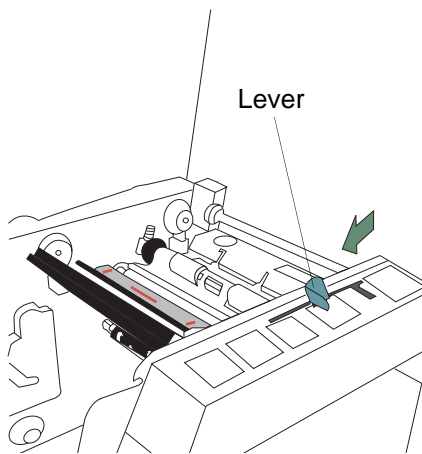
Refer to the following illustration for the recommended air flow clearances for the printer.



Loading the Paper

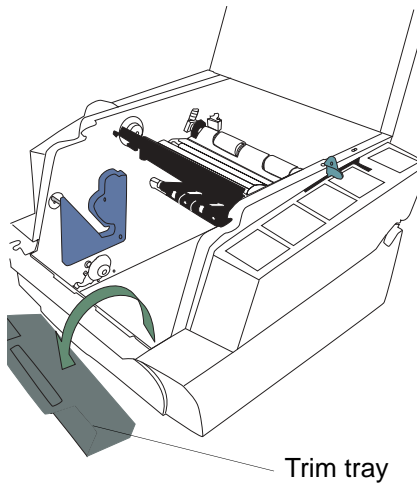
To load the paper into the printer:

1. Open the printer cover.
2. If necessary, remove the ribbon from the printer.
3. Move the lever to the unlocked position.



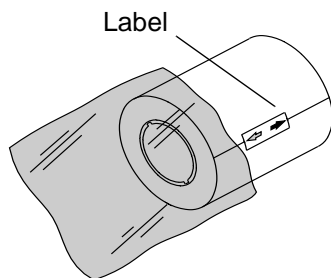
4. Remove the trim tray.

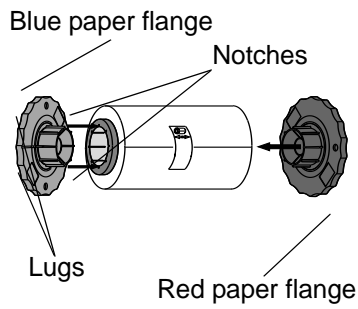
IMPORTANT: *To keep your prints dust-free and to prevent paper jams, empty the trim tray each time you change the paper.*



5. Remove the plastic cover from the new paper roll.

IMPORTANT: *Do not remove the label from the paper roll until you have successfully loaded the paper into the printer.*

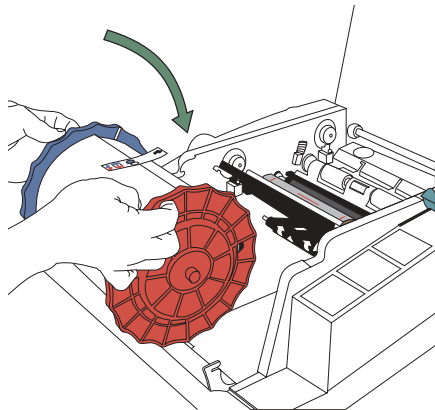




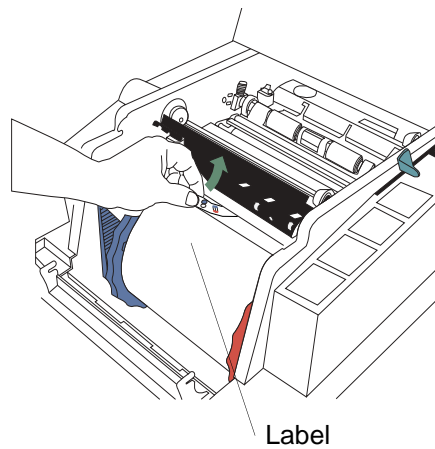
6. Attach the paper flanges provided with the printer to each end of the paper roll.

- a. Line up the lugs on the blue paper flange with the notches on the left side of the paper roll.
- b. Place the blue paper flange on the left side of the paper roll.
- c. Place the red paper flange on the right side of the paper roll.

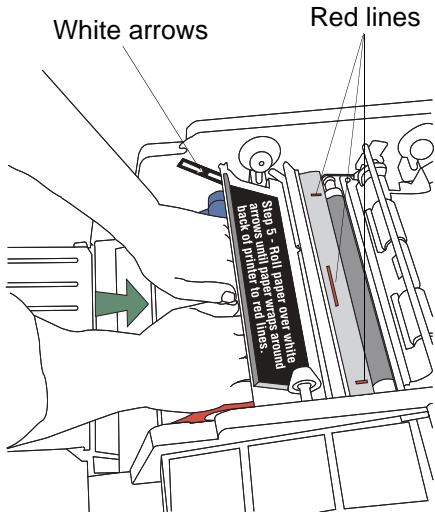
NOTE: Be sure to line up the lugs on the blue paper flange with the notches on the left side of the paper roll. If you do not attach the paper flange properly, the paper roll will not fit into the printer.



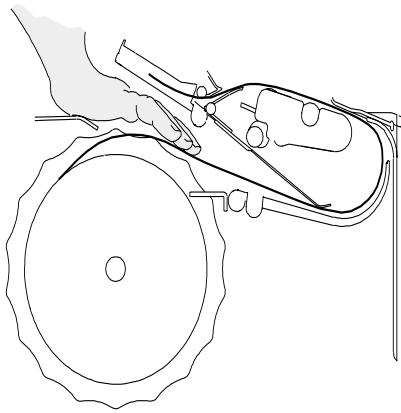
7. Gently set the paper roll into the printer according to the blue and red arrows on the label.



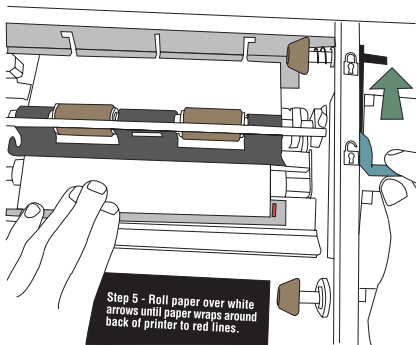
8. Remove the label.



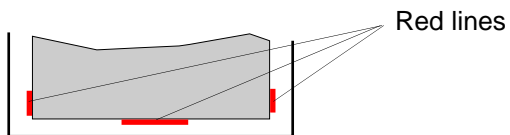
SIDE VIEW



9. Feed the paper in the direction of the white arrows until the paper wraps around the back of the printer and touches the red lines.



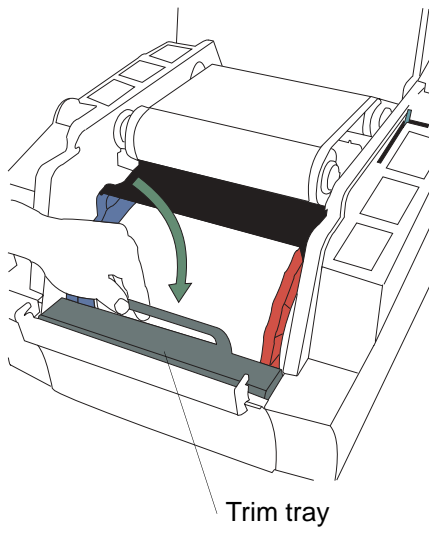
10. Hold the paper in place between the red lines with your hand. Make sure the paper edges do not extend over the red lines.



11. Move the lever to the locked position.



12. Install the trim tray.



Loading the Ribbon

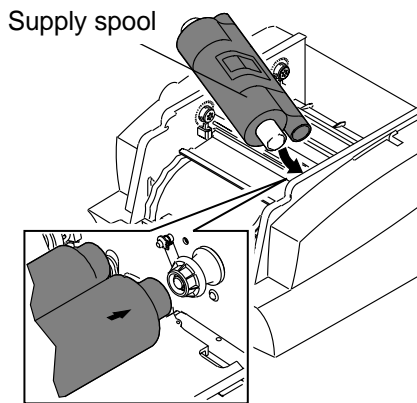
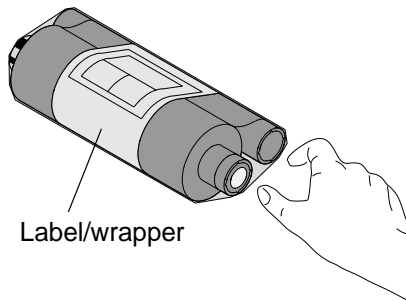
To load the ribbon into the printer:

1. If you are replacing a ribbon, remove the used ribbon from the printer.

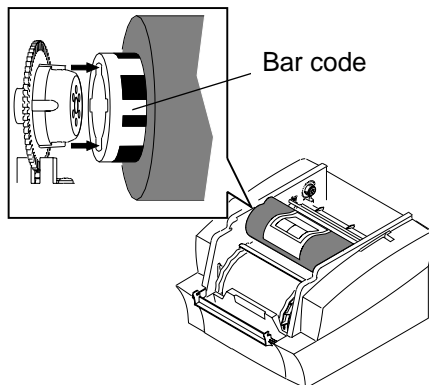
NOTE: Images remain on the ribbon after printing. If you need to maintain confidentiality, dispose of the used ribbon appropriately.

2. Insert your fingers into the holes in the plastic on the end of the ribbon. Remove the plastic cover from the ribbon.

IMPORTANT: *Do not remove the label/wrapper from the ribbon at this time.*

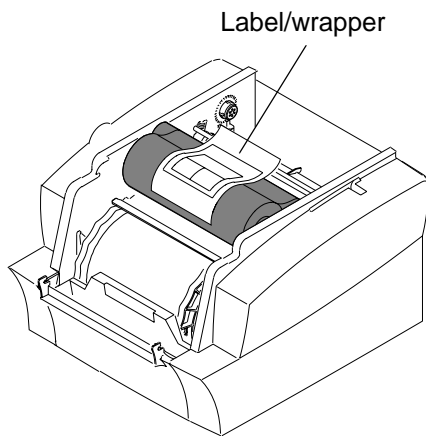


3. Push the right end of the supply spool into the front spool holder on the right.

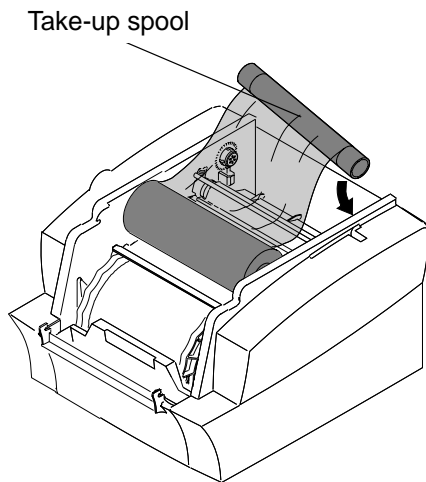


4. Place the bar code end of the supply spool into the front spool holder on the left.

IMPORTANT: *Make sure to line up the notches on the supply spool with the lugs on the spool holder.*



5. Remove the label/wrapper from the ribbon.



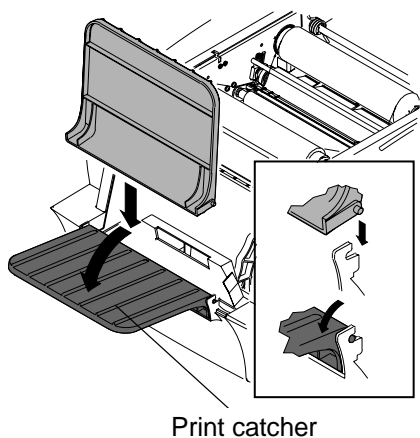
6. Push the right side of the take-up spool into the rear spool holder on the right.
7. Place the left side of the take-up spool into the rear spool holder on the left.
8. Rotate the take-up spool until it locks into place.
9. If there is any slack in the ribbon, remove it by turning the take-up spool.

IMPORTANT: *Slack in the ribbon can cause a paper jam when making prints.*

Installing the Print Catcher

The print catcher collects finished prints as they exit the printer.

- Set the print catcher into the printer as shown.



Connecting the Cables

Connecting the power cable

You may have received more than one power cable with your printer. Be sure to use the correct power cable required for your country.

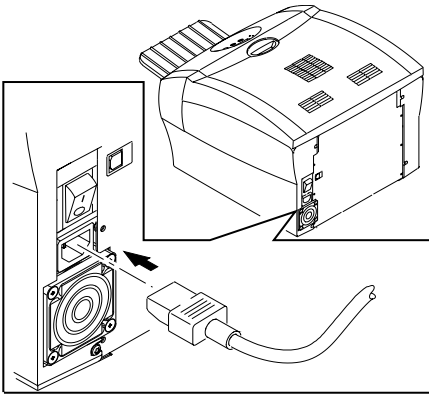
1. Check that the power switch is turned off (○).



CAUTION:

The power outlet must be grounded. An ungrounded outlet can cause fire, electric shock, or harmful interference to nearby electrical devices.

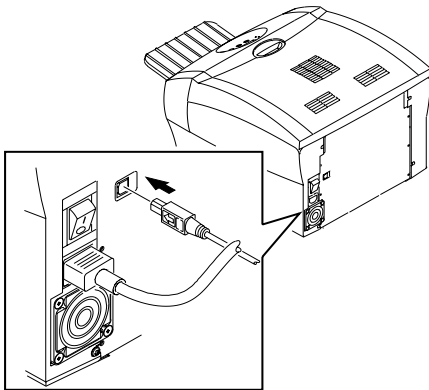
2. Connect the power cable to the power connector on the back of the printer and to a grounded power outlet.



Connecting the USB cable

Use the included USB cable.

1. Check that the power switch is turned off (○).
2. Connect the USB cable to the USB connector on the back of the printer and to the USB connector on the computer.

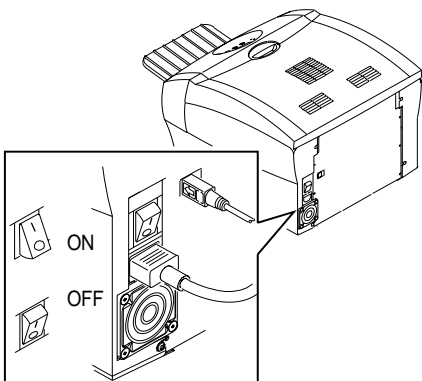


Turning On the Printer

1. Press the power switch to on (|).




On the operator panel, the orange Power light and the green Ready light illuminate, and the Ready message appears when the printer is initialized.

2. To turn off the printer, press the power switch to off (○).



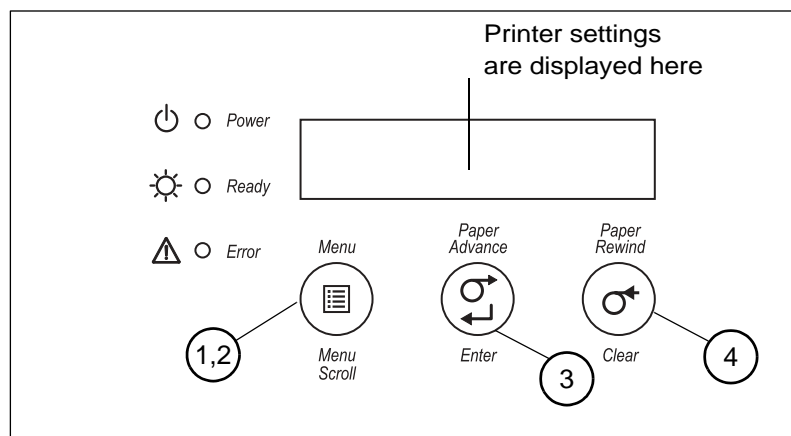
2 Operating the Printer

Understanding the Operator Panel Lights

Light	Color	Printer Status
 Power	Orange	The printer power is on.
 Ready	Green	The printer is ready to make prints.
 Error	Red	An error has occurred.

Using Setup Mode to Review Printer Settings

Use the operator panel to review printer settings in Setup mode.



1. Press **Menu** to enter Setup Mode.
2. Press **Menu Scroll** repeatedly to scroll through the printer settings.
3. Press **Enter** to initiate an action.
4. Press **Clear** to accept a change or exit Setup Mode.

Accessing the Printer Settings Press **Menu Scroll** repeatedly to scroll through the printer settings in the following order.

Printer Setting	Operator Panel Display	Action Required
Printer ready	Ready	None. The printer is on and ready to make prints.
Making a test print	Test Print Mode	Press Enter to enter test print mode. See “Making a test print” .
Checking remaining media	Remain = XXX/YYY	None. XXX represents the number of prints remaining out of the total possible (YYY) for the media currently installed.
Checking the printer total print count	Printed = XXXXX	None. XXXXX represents the total number of prints made since the printer was manufactured. This counter cannot be reset.
Checking the FEE firmware version	FEE Firm X.XX	None. The printer FEE firmware version is displayed.
Checking the DSP firmware version	DSP Firm X.XX	None. The printer DSP firmware version is displayed.
Checking the engine firmware version	ENG Firm X.XX	None. The engine firmware version is displayed.
Setting the operator control panel (OCP) language	Language	<ol style="list-style-type: none"> 1. Press Enter. 2. Select the language.
Setting the standby timeout	Standby Timeout	<ol style="list-style-type: none"> 1. Press Enter. 2. Select the standby timeout (Never, 30 minutes, 60 minutes, 120 minutes, 480 minutes).
Setting the level of matte lamination	Matte Level	<ol style="list-style-type: none"> 1. Press Enter. 2. Select the level of matte lamination. (-4, -3, -2, -1, 0, 1, 2, 3, 4)

Working in Test Print Mode

Making a test print Make a test print to check that the printer is installed and set up correctly.

1. Press **Menu** once until Test Print Mode appears.
2. Press **Enter** once until Pattern appears.
3. Press **Enter** once to select the test print type.
4. Press **Menu** to cycle through the available test print types.
5. Press **Enter** to print the selected test print.

When printing is complete, the printer returns to Ready mode.

Changing the quantity of test prints

1. Press **Menu** once until Test Print Mode appears.
2. Press **Enter** once until Pattern appears.
3. Press **Menu** once until Count appears.
4. Press **Enter** once to select the test print count.
5. Press **Menu** to cycle through the number of test print copies you want.
6. Press **Clear** to accept the value you just selected.

NOTE: The value you selected is the number of test prints you will receive until the printer is turned off and turned back on.

7. Press **Menu** once until Pattern appears.
8. Continue with step 3 of [“Making a test print” on page 2-2](#).

Appendix A: Important Printer Information

Printer Specifications

Dimensions	Width	17 in. (432 mm)
	Depth	19 in. (483 mm) - without Print Catcher 25 in. (635 mm) - with Print Catcher
	Height	13 in. (330 mm)
Weight (without ribbon and paper)		18 kg (40 lbs)
Ambient Operating Temperature		15 - 35°C (59 - 95°F)
Relative Humidity		20 - 80% (non-condensing)
Voltage		AC 100 - 240 V
Current rating		5A
Frequency		50 / 60 Hz
Print sizes		8 x 10 in. (203 x 254 mm) 8 x 12 in. (203 x 305 mm)

Appendix B: Safety and Regulatory Information

Important Safety Information



CAUTION:

Use of controls or adjustments, or performance of procedures other than those specified in this manual may result in injury and/or damage to the printer.

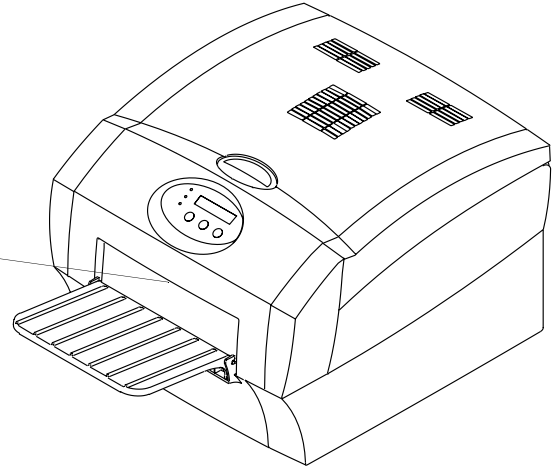
- The power outlet should be easily accessible and installed near the printer.
- Position the power cable so that it cannot be pulled on or tripped over.
- Never allow the power cable to contact hot surfaces.
- The power outlet must be grounded. An ungrounded outlet can cause fire, electric shock, or harmful interference to nearby electrical devices.
- Use only the power cable provided with the printer.
- Do not operate the printer with a damaged power cable.
- Always unplug the power cable from the printer before cleaning or when the printer is not in use.
- If the printer has been dropped or damaged, be sure a qualified service person examines the printer before you use it.
- Do not block the filter openings on the printer cabinet.
- Do not expose the printer to moisture or water.
- Do not allow any foreign objects or liquids to fall or spill inside the printer. Fire or electric shock could result.
- The thermal head becomes extremely hot during normal operation. Do not touch it.

Safety Labels

Please observe the important safety warnings that are posted on the printer.



WARNING SHARP EDGES
Keep hands and fingers away.



Regulatory and Safety Compliance

Safety

Complies with UL 60950-1 First Edition—CAN/CSA C22.2 No. 60950-1-3 First Edition

EN 60950-1

IEC 60950-1

Tested for Norwegian IT Power systems 240V phase to phase



Radio frequency interference

NOTE: This equipment has been tested and found to comply with the limits for a Class A digital device, pursuant to part 15 of the FCC rules. These limits are designed to provide reasonable protection against interference when the equipment is operated in a commercial environment. This equipment generates, uses, and can radiate radio frequency energy and, if not installed and used in accordance with the instruction manual, may cause interference to radio communications. Operation of this equipment in a residential area is

likely to cause interference in which case the user will be required to correct the interference at his or her own expense.

Requirements of the EMC directive 89/336/EEC were met through compliance with the following:

- EN 55022: 98 (class A)
- EN 55024: 98 ITE Immunity includes the following:
 - EN61000-4-2 ESD
 - EN61000-4-3 Radiated rf immunity
 - EN61000-4-4 EFT
 - EN61000-4-5 Surge
 - EN61000-4-6 Conducted rf immunity
 - EN61000-4-11 Voltage dips and interruptions
- EN 61000-3-2 Harmonics
- EN 61000-3-3 Flicker

Changes or modifications not expressly approved by the party responsible for compliance could void the user's authority to operate the equipment.

Noise emission

The operator-position noise emission value is 58 dB(A).*

* Average value specified in accordance to JIS Z873.

Disposal

This product contains a small amount of lead in the solder on the circuit boards. Disposal of this material may be regulated due to environmental considerations. For disposal or recycling information, please contact your local authorities. In the USA, contact the Electronics Industry Alliance at <http://www.eiae.org>



In the European Union, this symbol indicates that when the last user wishes to discard this product, it must be sent to appropriate facilities for recovery and recycling. Contact your local Kodak representative or refer to www.kodak.com/go/recycle for additional information on the collection and recovery programs available for this product.

Index

A

air flow clearances, 1-1

C

cables

connecting, 1-8

power, 1-8

USB, 1-8

connecting cables, 1-8

D

disposal, B-3

H

humidity

printer specifications, A-1

I

installing

paper, 1-2

ribbon, 1-6

L

labels, safety, B-2

loading

paper, 1-2

ribbon, 1-6

N

noise emission spec, B-3

O

operator panel

error/red light, 2-1

language, 2-2

making a test print, 2-2

power/orange light, 2-1

printer settings, 2-2

Ready message, 2-2

ready/green light, 2-1

setup mode, 2-2

standby timeout, 2-2

P

paper

loading, 1-2

power

cable, 1-8

requirements, A-1

turning on, 1-8

printer

operating, 2-1

setting up, 1-1

settings, 2-1

specifications, A-1

printer disposal, B-3

printing

test print, 2-2

R

radio frequency compliance, B-2

Ready message, operator panel, 2-2

recycling, B-3

ribbon

loading, 1-6

S

safety

compliance, B-2

tips, B-1

warning labels, B-2

setting up the printer, 1-1

setup mode, 2-1

specifications

printer, A-1

switch, power, 1-8

T

temperature

printer specifications, A-1
test print, making, 2-2

U

USB cable, connecting, 1-8



Eastman Kodak Company
Rochester, NY 14650

Kodak is a trademark of Eastman Kodak Company.

© Eastman Kodak Company, 2006 Rev B December 12, 2006