

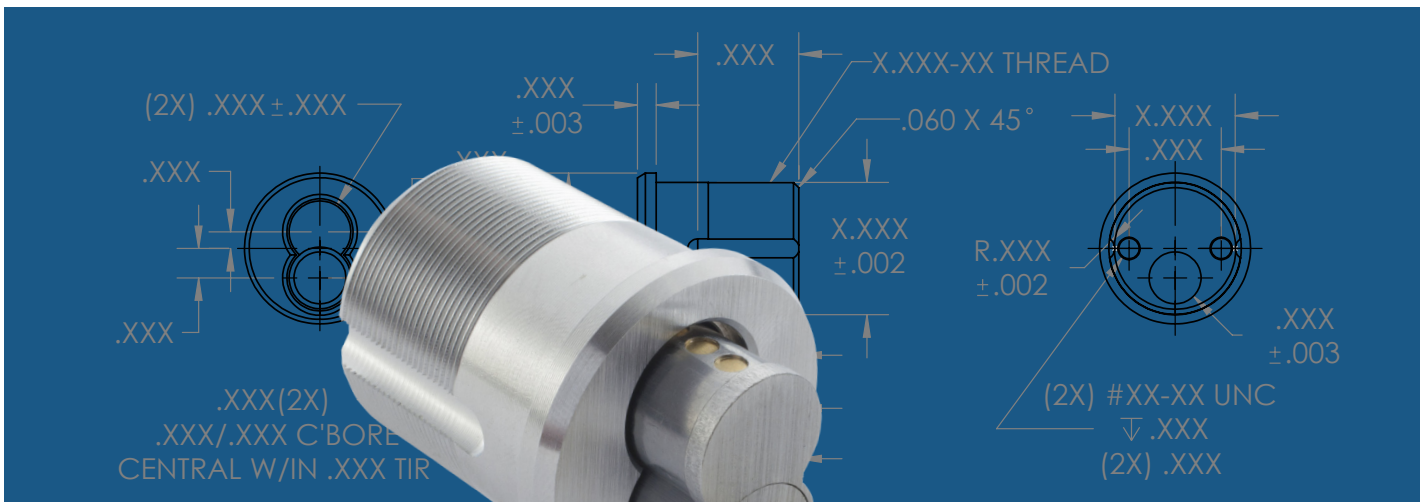


## Killeen Security Products

Killeen Machine Tool Co., Inc.  
33 Hermon Street  
Worcester, MA 01610

**1-800-577-5397**  
**[www.iccore.com](http://www.iccore.com)**

e-mail: [sales@iccore.com](mailto:sales@iccore.com)  
phone: 508-798-3200  
fax: 508-753-2183



**At KSP, Customer Service is Second to None**

# KSP Killeen Security Products

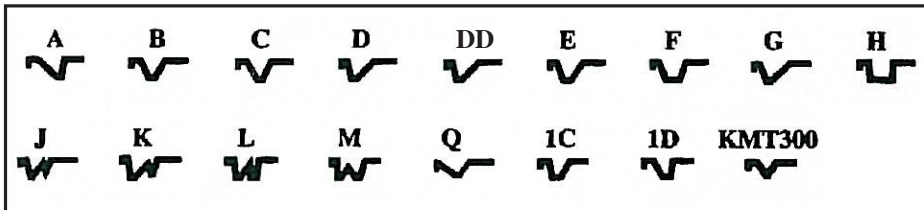
Interchangeable with: *BEST • ARROW • FALCON • GMS*

## Cores – Uncombined

Part Number	Description	Keyway	Finish
206	6 Pin	X	US04 / US26D
207	7 Pin	X	US04/ US26D

### \*Order Example

206-A-26D Uncombined



## Finish

03	Bright Brass
04	Satin Brass
10	Satin Bronze
10B	Duro
26	Bright Chrome
26D	Satin Chrome

Special Finishes Available. Contact us for Pricing and Lead-Times

## Slide Cap (Falcon Style Core - Uncombined)

Available in the Same Keyways and Finishes as Our Best Style Cores.

\*Order Example  
206SC -A - 26D



Quality - Price - Delivery That's what KSP is all about!  
Email us: [sales@iccore.com](mailto:sales@iccore.com)

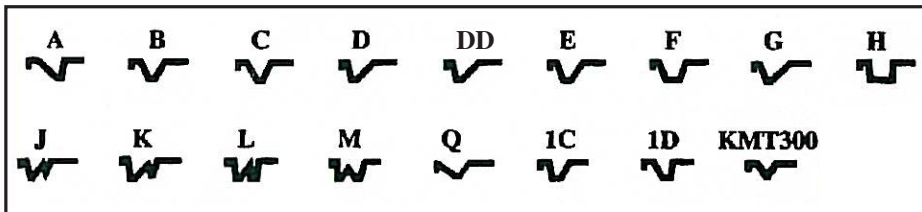
# Interchangeable Core Products

## Cores – Combined

Part Number	Description	Keyway	Finish
206C	6 Pin	X	US04 / US26D
207C	7 Pin	X	US04 / US26D

**\*Order Example**

206C-A-26D Combined



## Construction Cores

Contact us with your requirements

## Cores – Sliding Glass/Showcase Lock

Part Number	Description	Keyway	Finish
206SPL	6 Pin	X	US04/26D
207SPL	7 Pin	X	US04/26D

Available in All Keyways. Cores Only

**\*Order Example**

207SPL -A-26D



## Key Blanks

Part Number  
400K

\*Order Example  
400K - A



1-800-577-5397

[www.iccore.com](http://www.iccore.com)

Email us: [sales@iccore.com](mailto:sales@iccore.com)



## Mortise and Rim Housings Staked-On (Fixed) Cam

Part Number	Length	Description
306	1-1/4"	6 Pin Mortise Housing
307	1-3/8"	6/7 Pin Mortise Housing
307 Long	1-3/4"	6/7 Pin Mortise Housing
307 XLong	1-7/8"	6/7 Pin Mortise Housing
308		6/7 Pin Rim Housing
308-6		6 Pin Rim Housing
316		6 Pin Tapered Head Housing
317		6/7 Pin Tapered Head Housing



## Housing Cams (Bag of 20)

Part Number	Description
600	Standard Cam
601	Adams Rite Cam
602	Clover Cam
602-S	Sargent Cam
602-L	Schlage Cam



## Housing Cams Staked-On



600 601 602 602L 602S



Quality - Price - Delivery That's what KSP is all about!  
 Email us: [sales@iccore.com](mailto:sales@iccore.com)

# Interchangeable Core Products

## **Mortise Housings** Screw-On (Removable) Cam (All Housings Less Cam)

Part Number	Length	Description
406	1-1/4"	6 Pin Mortise
407	1-3/8"	6/7 Pin Mortise
407 Long	1-3/4"	6/7 Pin Mortise
407 XLong	1-7/8"	6/7 Pin Mortise
416		6 Pin Tapered Head
417		6/7 Pin Tapered Head

## **Housing Cams K-Series Screw-On** (Bag of 10)

Part Number	Description
K700	Standard Cam
K701	Adams Rite Cam
K702	Clover Cam
K702-S	Sargent Cam
K702-L	Schlage Cam

Each Cam sold in bags of 10



## **Cam Pack K-Series** Part Number CKS-5 (1 each - K700, K701, K702, K702S, K702L)



1-800-577-5397

[www.iccore.com](http://www.iccore.com)

Email us: [sales@iccore.com](mailto:sales@iccore.com)



## 408 Convertible Housing Kit (All Housings Less Cam)

### Rim & Mortise Function in One Assembly!

- Eliminate Excess Inventory and SKU's
- Provides for Flexibility
- No Need to Disassemble Drive Assembly
- Compatible with These LFIC & SFIC Cores  
(Individually Boxed)

		Length
Sargent	P/N 408 Sargent (finish)	1.24"
Schlage	P/N 408 Schlage (finish)	1.37"
Medeco	P/N 408 Medeco (finish)	1.22"
Corbin Russwin	P/N 408 Corbin Russwin (finish)	1.12"
Yale	P/N 408 Yale (finish)	1.40"
KSP (SFIC)	P/N 408 KSP (finish)	1.24"

COMPATIBLE WITH **BEST • ARROW • FALCON • GMS**



### Extra 408 Hardware Kit

**408-CB Extra:** Tailpiece, Adapter and Screws (Rim Function)  
Collars, Back Plate, Break-away Screws  
Individually Bagged



**Cam Pack K-Series** Part Number CKS-5  
(1 each - K700, K701, K702, K702S, K702L)



**Quality - Price - Delivery That's what KSP is all about!**  
Email us: [sales@iccore.com](mailto:sales@iccore.com)

# Interchangeable Core Products

## **408 Convertible Housing Kits** *(All Housings Less Cam)*

### **Convertible Housings - easily convert between Mortise and Rim!**

- **Eliminate Excess Inventory and SKU's**
- **Provides for Flexibility**
- **No Need to Disassemble Drive Assembly!**
- **Designed with the locksmith in mind,**

#### **Contents:**

- Qty. 6, 408 Housings, Choose from SFIC, Schlage, Sargent, Corbin Russwin, Yale and Medeco styles
- Qty. 5 each cam: K700, K701, K702, K702L & K702S
- Screws for assembling tailpiece or cam, with Loctite pre-applied.
- Qty. 3 Tailpieces, Adapter (patent pending) for rim installation.
- Qty. 3 sets of breakaway screws and back plates of trim installation.
- Miscellaneous Collars



SFIC



Schlage



Sargent



Corbin  
Russwin



Yale



Medeco

**1-800-577-5397**

**[www.iccore.com](http://www.iccore.com)**

**Email us: [sales@iccore.com](mailto:sales@iccore.com)**



## ***Schlage Large Format Mortise & Rim Housings (All Housings Less Cam)***

**Part Number** 407-LFIC  
**Description** Large format mortise cylinder housing

**Part Number** 308-LFIC  
**Description** Large format rim cylinder housing

- **Packaged with (2) screws, backplate and collar**

**Available Finishes**

- 03 Bright Brass
- 04 Satin Brass
- 10 Satin Bronze
- 10B Duro
- 26 Bright Chrome
- 26D Satin Chrome



***Uses the Same K-Series Screw-On Cams  
as Our Standard Housings  
(Cams on Page 5 or Kit on Next Page)***



**Quality - Price - Delivery That's what KSP is all about!**  
**Email us: [sales@iccore.com](mailto:sales@iccore.com)**



# Interchangeable Core Products

## K - Series Cam Kit

**Part Number** K7CAMKIT  
**Description** Cam Kit with various cams, screws and accessories

Includes the following:

Qty 10 - K700 (Standard) screw-on cams  
Qty 10 - K701 (Adams Rite) screw-on cams  
Qty 10 - K702 (Clover) screw-on cams  
Qty 10 - K702S (Sargent) screw-on cams  
Qty 10 - K702L (Schlage) screw-on cams

100 pcs - Cam Screws (pre-applied Loctite)  
Variety of solid spacers  
Variety of step spacers  
SFIC - Turn Knob



## I/C Core Pin Kit

**Part Number** KSP A2-Kit  
**Ergonomic Tray Design**

Includes All A2 Pin Sizes

- 50 pins each size
- Short Springs
- Long Springs
- Stamped Caps
- Machined Caps



1-800-577-5397

[www.iccore.com](http://www.iccore.com)

Email us: [sales@iccore.com](mailto:sales@iccore.com)



## Rings & Collars

Part Number	Description	Size
500	Rim	-
501	Step Mortise	1/8" - 1/4"
502	Solid Collar	1/8" - 1/4" - 3/8"
503-26D	Solid Tapered Collar	3/16" Spacer
400-CA-26D	Hardened Spring Collar	-



## Finish

03	Bright Brass
10	Satin Bronze
10B	Duro
26D	Satin Chrome



503-26D



400-CA-26D



## I/C Brass Padlocks

Part Number	Shackle Diameter	Shackle Length
801	5/16"	1-1/8"
802	5/16"	2"
803	5/16"	3"
804	5/16"	4"



**Solid Brass Body - 1-3/4" Wide - 2-1/8" Long - 3/4" Thick**  
**Case hardened chrome plated steel shackle**

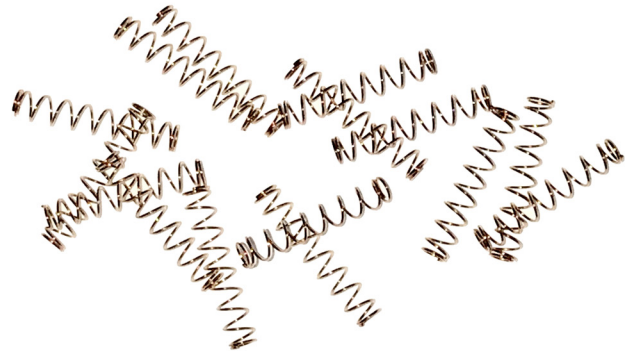


**Quality - Price - Delivery That's what KSP is all about!**  
**Email us: [sales@iccore.com](mailto:sales@iccore.com)**

# Interchangeable Core Products

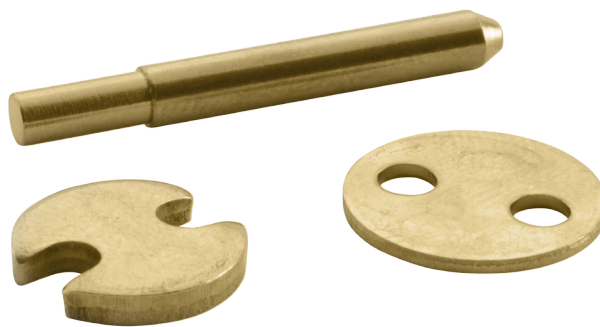
## *I/C Core Pin, Caps, Springs*

Part Number	Quantity
.108 Diameter	1000 / Pack Only



## *I/C Housing Drive Pins & Washers*

Part Number	Description	Quantity
603	Studs	100 / Pack
604	Small Spacer	100 / Pack
605	Large Spacer	100 / Pack



1-800-577-5397

[www.iccore.com](http://www.iccore.com)

Email us: [sales@iccore.com](mailto:sales@iccore.com)



## I/C Tools

Part Number	Description
309	SFIC Core Turn Knob
606	Capping Block & Punch
608	Staking Tool
609	SFIC Housing Wrench
610	Ejector Punch
611	Key Cut - Decoding Gauge A2, A3, A4
614	Capping Strips (For New Style A1 Security Capping Press)



309



606



608



609



610



611



614



**Quality - Price - Delivery That's what KSP is all about!**  
**Email us: [sales@iccore.com](mailto:sales@iccore.com)**

# Interchangeable Core Products

**1-800-577-5397**      **[www.iccore.com](http://www.iccore.com)**  
**Email us: [sales@iccore.com](mailto:sales@iccore.com)**





**Quality - Price - Delivery That's what KSP is all about!**  
**Email us: [sales@iccore.com](mailto:sales@iccore.com)**

# Interchangeable Core Products

**1-800-577-5397**      **[www.iccore.com](http://www.iccore.com)**  
**Email us: [sales@iccore.com](mailto:sales@iccore.com)**





## **Killeen Security Products**

Killeen Machine Tool Co., Inc.

33 Hermon Street

Worcester, MA 01610

**1-800-577-5397 • [www.iccore.com](http://www.iccore.com)**

e-mail: [sales@iccore.com](mailto:sales@iccore.com)

phone: 508-798-3200 • fax: 508-753-2183

### **About Killeen Security Products**

KSP proudly manufactures Small Format Interchangeable Cores, Mortise and Rim Housings. All of our products have been made in the USA since 1983. We are located in Worcester, Massachusetts.

Within a year of its concept KSP shipped its first order. 34 years later, KSP has built a strong reputation in the security industry for its quality and delivery and our products can be found throughout the world.

We manufacture over 15 different keyways for the Small Format Interchangeable Core products that are interchangeable with Best, Arrow, Falcon & GMS. We have key blanks available for every keyway we supply. KSP manufactures Mortise housings that have both the staked on and screw on cams available. Recently we have added a convertible Mortise/Rim housing in the following styles, Medeco, Sargent, Schlage, Yale, Corbin Russwin and our own KSP (SFIC). We supply locksmith tools such as capping blocks, housing wrenches and staking tools. We are very proud to say that our products are made in the USA. For a complete listing of our products please go to our website [www.iccore.com](http://www.iccore.com).

KSP can assist your company in setting up keying systems providing the utmost security for your business. We can set up systems for all levels, from something as complex as a Great Great Grand Master Key system to something simple as keying alike to a Control Key. We can combine cores to fit all of your needs and maintain these records for you. KSP is known for cores & housings but we also have the ability to assist our customers with custom applications. If you have a special project, please give us a call. We would welcome the opportunity to be of assistance. If you don't ask, we can't help.

At KSP customer service is second to none.

Please contact us with any questions you may have.

Thank you,  
The KSP Team



**Gene Degre**

*President*

*Killeen Security Products*



**Karen Zawalich**

*Sales & Marketing*

*Killeen Security Products*