

AIRBRUSH CUSTOM PAINTING



iwata
MEDEA
ANEST IWATA-MEDEA, Inc.



Automotive Refinish Market - Distributed Nationally by ASET, LLC



Pistol Grip Filter Included!

The Iwata Kustom Airbrush Series features the Pistol Grip Filter, your last defense against moisture.

Kustom painting takes pole position with the new Iwata Kustom airbrush series that sports large cups and shines in atomizing solvent-based paints. PTFE packing, large cups, pre-set handles and taller triggers distinguish these airbrushes as Kustom.

Iwata Kustom Hi-Line HP-TH — PN: 4292 (K9200)

The Kustom TH delivers unprecedented control of a fan pattern with a minimum of overspray giving it a unique advantage over mini touch up guns. Great for small areas such as chip repair, fender welds, door jams and other hard-to-reach areas.

- 0.50-mm nozzle
- MAC Valve (Micro Air Control)
- “Fan-Patterned” air cap (fan pattern requires compressor with at least 1.2 cfm)
- “Round-Patterned” air cap
- PTFE needle packings
- Large, 1/2 oz. (14 ml) removable gravity-feed fluid cup
- Spray-gun trigger design

Kustom Custom Micron CM Airbrush — PN: 4290 (K9000)

The mac daddy of all airbrushes, the Kustom CM is framed around the Iwata Custom Micron airbrush. The New Kustom CM airbrush provides extreme control of ultra fine-line sprays, silky smooth atomization and ultimate paint-flow control with hand-tuned, hand-adjusted performance.

- 0.23-mm “Matched Head System”
- Large, 1/2 oz. (14 ml) gravity fluid cup
- Taller trigger for extreme control of trigger action and paint flow
- MAC Valve for precise air pressure control
- PTFE needle packings

Kustom Hi-Line CH Airbrush — PN: 4295 (K9100)

A preferred airbrush for users who need ultimate control of fine-line work and medium background spraying, the Kustom CH boasts a MAC Valve that supplies precise air control to the head of the airbrush for ultimate control.

- 0.30-mm
- Large, 1/2 oz. (14 ml) gravity fluid cup
- Taller trigger for extreme control of trigger action and paint flow
- MAC Valve for precise air-pressure control
- PTFE needle packings

Kustom Eclipse CS Airbrush — PN: 4298 (K9300)

The workhorse of the Kustom line, the CS features a large general-purpose nozzle/needle combination. Still maintaining fine-line control, the CS creates wide background sprays with fine atomization and control. Designed to spray metallic, pearlescent and base-coat paints.

- 0.35-mm
- Large, 1/2 oz. (14 ml) gravity fluid cup
- Taller trigger for extreme control of trigger action and paint flow
- PTFE needle packings

Kustom Revolution TR Airbrush — PN: 4294 (K9400)

Triggering the passion of spray-gun users, the TR airbrush proves easy to use. The long trigger provides commanding control of the airbrush spray.

- 0.30-mm
- Large, 3/4 oz. (21 ml) gravity fluid removable cup
- Spray-gun trigger design
- PTFE needle packings

Airbrushes DO NOT come with hoses unless noted otherwise.



iwata



Custom Micron

Absolute Precision for the Elite Professional

For the elite professional who demands precise and accurate control of very detailed spraying, the Custom Micron Series is built to be the "best of the best," hand-tested and adjusted by the world's leading airbrush technicians.



Iwata Custom Micron CM-C Plus — PN: 4212 (ICM4500)

- Using the same matched-head assembly as the other trusted Custom Micron airbrushes, the Custom Micron CM-C Plus has the same precise feel that's entirely unique to a Custom Micron airbrush
- A breakthrough technology, the Micro Air Control (MAC) Valve enables infinite control of the airflow at the head of the airbrush, which provides even more control of stippling, fine details and finely atomized background spraying
- The new solvent-proof PTFE needle packing allows for the use of automotive or other solvent-based paints
- The funnel shape of the redesigned gravity-feed cup lets the airbrush be used effectively with only a couple drops of paint, ensuring a fast and thorough clean up
- A cutaway handle enables users to grab the needle-chucking nut and quickly pull back the needle to flush paint out of the cup and paint passageways for a quick and easy clean up



Iwata Custom Micron CM-C — PN: 4208 (ICM4000)

- Ideal for professional use where heavier paints are required (.23-mm nozzle) or when larger work is being created
- The Iwata Custom Micron matched-head system ensures superior atomization
- Features a larger 1/3 oz. (9 ml) gravity-feed color cup for working with large volumes of paint



Iwata Custom Micron CM-B — PN: 4202 (ICM2000)

- The smallest nozzle and needle combination (.18-mm) for the most precise and accurate control of detail spraying
- Features a 1/16 oz. (1.8 ml) gravity-feed cup that cleans quickly for rapid color changes
- A highly polished, hardened stainless-steel needle provides an exceptionally smooth transition from detail to mid-range spraying



Iwata Custom Micron CM-SB — PN: 4209 (ICM3000)

- The same features of the Custom Micron B except it has a 1/8 oz. (3.5 ml) side-feed cup, which is engineered for right- and left-handed use
- Because it is side-fed, a view directly over the top of the airbrush allows for up-close, fine detail work
- For larger artwork, the Custom Micron versatility is enhanced by an optional 1/4 oz. (7 ml) side-feed cup, 1/2 oz. (14 ml) gravity-feed cup or a 1 oz. (28 ml) siphon bottle

Airbrushes DO NOT come with hoses unless noted otherwise.



Hi-Line

Hi-Control of Hi-Precision Work

iwata

Featuring the ultimate in air control directly at the nozzle with Iwata's new Micro Air Control (MAC) Valve Technology, the Hi-Line Series is designed for artists who need extreme control of detailed spraying. The Hi-Line Series is now made with PTFE needle packing, a dual-purpose cutaway, pre-set handle and one-piece auxiliary lever/needle chucking guide.



Iwata Hi-Line HP-AH — PN: 4231 (H1100)

- Features a 0.2-mm nozzle
- Larger threads on the nozzle offer a more secure fit and better centering of the nozzle on the body
- Sprays with one drop of paint in its 1/32 oz. (0.9 ml) fluid cavity



Iwata Hi-Line HP-BH — PN: 4232 (H2100)

- Like the HP-AH, it has a 0.2-mm nozzle but has a larger 1/16 oz (1.8 ml) cup for holding more paint
- The gravity-feed cup features a smooth inside taper that provides for a quick and easy clean up



Hi-Line HP-CH — PN: 4003 (H4100)

- Features a 0.3-mm nozzle and a large 1/3 oz. (9 ml) tapered gravity-feed cup
- The larger nozzle and needle makes this an ideal airbrush for spraying a variety of paints from watercolors to solvent-based automotive paints

Micro Air Control (MAC) Valve

A breakthrough technology, the Micro Air Control (MAC) Valve enables infinite control of the airflow at the head of the airbrush, which is different than just regulating the air pressure at the compressor.

- Lets users spray a coarse stippling effect to full atomization with a quick turn
- For fine line or detail work, it can be adjusted to create the optimum airflow for maximum control of the paint output
- By fully opening the MAC Valve, the airbrush can quickly be cleaned during color changes or for wide background spraying



Airbrushes DO NOT come with hoses unless noted otherwise.



iwata

High Performance

High-Precision, High-Detail Work

plus

Renowned as the professional's workhorse, the popular High Performance Series has been pumped up with these inspired new features: PTFE needle packing, a dual-purpose, cutaway and pre-set handle and one-piece auxiliary lever/needle-chucking guide.



Iwata High Performance Plus HP-A Plus — PN: 4233 (H1001)

- Features a 0.2-mm nozzle and needle combination for high-precision, detail spraying
- The 1/32 oz. (0.9 ml) fluid cavity is perfect for spraying small amounts of media in a small area



Iwata High Performance Plus HP-B Plus — PN: 4234 (H2001)

- Similar to the HP-A Plus except with a larger 1/16 oz. (1.8 ml) gravity-feed color cup



Iwata High Performance Plus HP-C Plus — PN: 4004 (H4001)

- A practical choice for most airbrush uses
- Its larger 1/3 oz. (9 ml) gravity-feed cup and larger (0.3-mm) needle/nozzle configuration allow for use with most media
- An airbrush that does it all – from fine hairlines to finely atomized background spray, along with an entire range of stippling effects
- The gravity-feed cup is useful for mixing custom colors and allows quick color changes
- Short paint passageway from the cup to the front of the airbrush gives it a responsive feel and allows it to be one of the quickest cleaning airbrushes in the industry



Iwata High Performance Plus HP-SB Plus — PN: 4235 (H3001)

- Similar to both the HP-A Plus and HP-B Plus, except it has a 1/8 oz. (3.5 ml) side-feed color cup
- Side-feed cup allows right- or left-handed use, and for slower detail spraying and better vision of the work surface
- Optional 1/4 oz. side cup, 1/2 oz. gravity cup or a 1 oz. siphon bottle add to the versatility of this airbrush



Iwata High Performance Plus HP-BC Plus — PN: 4236 (H5001)

- A high-detail, high-precision, bottom-feed airbrush for artists who need quick color changes with a certain set of colors
- Similar in spray characteristics and needle-nozzle size to the HP-C Plus, it has very good atomization and is extremely reliable
- Includes a 3/4 oz. glass bottle

Airbrushes DO NOT come with hoses unless noted otherwise.



iwata Eclipse

Ultimate Versatility, Reliability and Performance

The multi-purpose, high-paint-flow, versatile airbrushes of the Eclipse Series cover a wide range of uses. Because they can spray heavier paints and achieve a fine line as well as a 2" wide pattern, they are well suited for just about any application or project. These are the most popular Iwata airbrush models due to their versatility, not to mention that they get such a varied spray pattern from just one size nozzle and needle!



Iwata Eclipse HP-CS — PN: 4207 (ECL4500)

- Gravity-feed airbrush features a unique 0.35-mm needle and nozzle combination for fine-detail spraying, but with high-paint-flow capacity
- Generous 1/3 oz. sized cup is designed with a new funnel shape, which makes for easy clean up and more efficient paint flow
- Automotive artists, fine artists and students will appreciate how well the Eclipse CS sprays heavier acrylics and Medea Textile Colors, while maintaining high-detail spray characteristics



Iwata Eclipse HP-SBS

PN: 4205 (ECL3500) — Airbrush and 1/8 oz. side-mount cup

PN: 4206 (ECL3550) — Autographics - Airbrush, 1/2 oz. side-mount cup and 1 oz. siphon-feed bottle

- Side-feed airbrush features a 0.35-mm needle and nozzle combination with the option of four cup sizes – the standard 1/8 oz. side cup, a 1/4 oz. side cup, a special 1/2 oz. gravity-feed side cup or a 1 oz. siphon-feed bottle
- Ideal for custom automotive graphics and murals, as well as for fine-arts work that requires custom color mixing and thicker paints
- The Autographics version of the HP-SBS is similar to the standard HP-SBS except it comes with a large 1/2 oz side mount, gravity-feed cup and a 1 oz. siphon-feed bottle



Iwata Eclipse HP-BCS

PN: 4200 (ECL2000) — Airbrush and bottle only

PN: 4201 (ECL2001) — Airbrush, bottle, hose, cleaner and paint

- Bottom-feed airbrush features a 0.5-mm needle and nozzle combination
- Sets the industry standard for high-performing, general-purpose, high-paint-flow airbrushes
- Versatile, reliable performance — this airbrush does it all



Iwata Eclipse G3 — PN: 4331 (ECL9100) Iwata Eclipse G5 — PN: 4332 (ECL9200)

- Unique "pistol-grip" feel, looks like a miniature spray gun, but sprays and performs like a large airbrush
- Works with most twin-piston airbrush compressors
- True center-post gravity-feed airbrushes
- MAC Valve for precise control of air and spray
- True fan pattern spray like most spray guns
- Twilight-chrome finish
- **G3:** 0.3-mm stainless steel nozzle and 4oz. stainless-steel cup and lid
- **G5:** 0.5-mm stainless steel nozzle for heavier paints and 8oz. stainless-steel cup and lid



Iwata Eclipse G6 — PN: 4214 (ECL9000)

- Unique "pistol-grip" feel, looks like a miniature spray gun, but sprays and performs like a large airbrush
- Equipped with a long tapered needle that ensures a smooth transition between fine-to-wide background spray
- Utilizes a dual-purpose air cap and a fan adjustment valve that lets the airbrush spray a round or fan pattern. The round pattern is useful for painting graphics, while the oval or fan shape creates a smooth background spray
- Uses a special fitting so airbrush bottles can be used instead of a gravity-feed cup (optional gravity-feed cups available), allowing for multiple color bottles to be interchanged quickly without having to clean a cup thoroughly



Anest Iwata LPH-80 Spray Gun

- Miniature center post spray gun is ideal for spot repair, blending, shading, touch-ups and clear coating motorcycle helmets
- Air inlet: 1/4" Fluid inlet: 3/8"
- LPH-50 Air Cap Test Gauge Air Cap #LPH50-E2 Part #2981
- LPH-80 Air Cap Test Gauge Air Cap #LPH80-E4 Part #2982

Model	Nozzle Size	Pattern Width (in.)	PSI	CFM	Gun Only #	PCG2D-1 #6036D
LPH80-082G	0.8	3.2	13	1.8	4910	4911
LPH80-104G	1.0	5.1	14	2.1	4925	4926
LPH80-124G	1.2	5.5	14	2.1	4930	4931

Airbrushes DO NOT come with hoses unless noted otherwise.

BCR shown with optional glass bottle.

iwata Revolution

Quality, Performance and Value

Start off airbrushing with the industry leader — Iwata. Made for users at all levels, the Revolution Series features top-of-the-line airbrushes at a great value. With breakthrough technology and performance, these airbrushes outperform all others in their price range.



Iwata Revolution CR — PN: 4247 (R4500)

- A gravity-feed airbrush designed for quick changes of custom mixed colors
- Versatile for moderate detail to background spraying
- Perfect for general-purpose art-and-craft projects, as well as model-railroad detailing, R/C car bodies, plastic kits and automotive painting



Iwata Revolution SAR (Single-Action) — PN: 4239 (R1000)

- A breakthrough in single-action airbrush design
- Built with the same quality and performance as the dual-action airbrush
- Perfect for those seeking high performance in a single-action design



Iwata Revolution BCR

PN: 4240 (R2000) — Airbrush and bottle only
PN: 4241 (R2001) — Airbrush, bottle and hose

- A bottle-feed, dual-action airbrush for general-use spraying
- Siphon-feed model makes it easy to swap out bottles of specific colors quickly
- Useful for T-shirt painting, model-railroad landscapes, R/C car painting, airplane models and other general art, hobby and craft projects

Iwata Revolution Airbrushes Feature:

- Internal mix airbrush
- Ergonomic handle design
- Fine detail to 1-1/2" spray pattern
- Larger nozzle and needle combination (0.5-mm) makes for easier spraying of thicker or heavier paints
- Redesigned trigger mechanism and larger needle-chucking nut for easy assembly
- Replaceable internal PTFE needle packing for use with solvent-based paints
- Value priced



Iwata Revolution HP-TR1 0.3-mm Nozzle — PN: 4237 (R5000)

Iwata Revolution HP-TR2 0.5-mm Nozzle — PN: 4238 (R5500)

- Unique pistol trigger that is comfortable and smooth
- Featuring the Pistol Grip Filter, your last defense against moisture and 1/2 oz. side-mount color cup
- Dual action for full control over paint and spray
- Great for custom automotive painting since the design offers a similar feel and comfort typical of spray gun usage
- Can also be used with Iwata 1 oz. and 2 oz. side-mount bottle sets, which are available separately

Airbrushes DO NOT come with hoses unless noted otherwise.



neo for iwata

THE BEST AIRBRUSH FOR THE FIRST TIME USER!

Think you want to give airbrushing a try? Not sure you want to spend much to get started? The NEO Series is perfect for you... AND you'll have a great first experience!

Iwata-Medea designed the NEO for the first time user. The NEO is very affordable, sprays great with an inexpensive compressor and is backed by the leading company in the airbrush market.

New to airbrushing? Get the NEO.

CN NEO For Iwata — PN: 4305 (IW 430) **Gravity-Feed Dual-Action Airbrush**

- Features a unique 0.35-mm needle and nozzle combination for finer detail spraying and medium-sized spray patterns
- Includes interchangeable large (1/3 oz.) and medium (1/16 oz.) cups designed with a funnel shape, which makes for easy clean-up and more efficient paint flow (Airbrush will hold 1/32 oz. without a cup attached), Straight Shot Airhose and Medea Super Lube



BCN NEO For Iwata — PN: 4310 (IW 431) **Siphon-Feed Dual-Action Airbrush**

- Features a 0.5-mm needle and nozzle combination for high-performance, general-purpose, high-paint-flow spraying and wider spray patterns
- Includes Three 1 oz. Big Mouth Bottles (also compatible with other sizes of Big Mouth Bottles and Iwata bottles), Straight Shot Airhose and Medea Super Lube



Airbrushes DO NOT come with hoses unless noted otherwise.

iwata *studio series*

COMPRESSORS

Available for the beginning or casual airbrush user, Iwata Studio Series Compressors utilize the latest technology to fulfill your every airbrushing need. Powerful, compact and remarkably quiet, these reliable compressors, with oil-less piston motors, are low maintenance and affordably priced, meaning artists can now spray a variety of different mediums without compromise. Sold complete with fittings, filters, airhoses and an adapter to fit any airbrush.

Smart Jet Item #IS850

The Smart Jet compressor is perfect for the occasional and professional artist doing general airbrush applications.

- Zero-maintenance, oil-less piston air compressor
- Extra hose for enhanced moisture separation
- Moisture filter also prevents pulsation
- Mounted air pressure gauge
- Bleed valve airflow adjustment to lower air pressure
- High-strength polyurethane hose fits Iwata airbrushes
- On/off switch
- Built-in airbrush holder
- Size: 10 x 7 x 6 in. (25 x 18 x 16 cm)
- Smart Jet Technology



Technical Specifications

Hp: 1/8 Hp
CFM: 0.64 CFM@open flow
Voltage: 110V/60hz
PSI: 1-35 PSI max. pressure
Shipping Weight: 8 Pounds



Smart Jet Pro Item #IS875

The Smart Jet Pro compressor is perfect for the occasional and professional artist doing general airbrush applications.

- Zero-maintenance, oil-less piston air compressor
- Case-mounted air regulator / moisture-filter
- Air regulator for precise air-pressure adjustment
- Strong protective outer case
- High-strength polyurethane hose fits Iwata airbrushes
- On/off switch
- Built-in airbrush holder
- Size: 10 x 7 x 6 in. (25 x 18 x 16 cm)
- Smart Jet Technology



Technical Specifications

Hp: 1/8 Hp
CFM: 0.64 CFM@open flow
Voltage: 110V/60hz
PSI: 1-35 PSI max. pressure
Shipping Weight: 14 Pounds



Power Jet Lite Item #IS925

Built with Iwata's Smart Technology, the Power Jet Lite automatically shuts itself off when not in use and with no tank reservoir, delivers all the power necessary for use with the high paint-flow Iwata Eclipse and Eclipse G6 Pistol Grip airbrush.

- Zero-maintenance, oil-less DUAL piston air compressor
- Case-mounted air regulator / moisture-filter
- Air regulator for precise air-pressure adjustment
- Strong protective outer case
- High-strength polyurethane hose fits Iwata airbrushes
- On/off switch
- Built-in airbrush holder
- Size: 10.5 x 12 x 6 in. (26.5 x 31 x 15.5 cm)
- Smart Jet Technology and 2X Sprint Jet Power



Technical Specifications

Hp: 1/6 Hp
CFM: 1.2 CFM@open flow
Voltage: 110V/60hz
PSI: 1-60 PSI max. pressure
Shipping Weight: 17.5 Pounds



Power Jet Item #IS900

Engineered with a large capacity air storage tank, it's an excellent compressor for the occasional or professional airbrush user doing general or extended airbrush applications at low or higher air pressures.

- Zero-maintenance, oil-less DUAL piston air compressor
- 3.5 liter air storage tank, for spraying at higher pressures and maximum moisture separation
- Zero pulsation at all air pressures
- Case-mounted air regulator / moisture-filter
- Air regulator for precise air-pressure adjustment
- Strong protective outer case
- High-strength braided nylon covered hose fits all Iwata airbrushes
- On/off switch
- Size: 16 x 13 x 7 in. (41 x 33 x 18 cm)
- Smart Jet Technology and 2X Sprint Jet Power



Technical Specifications

Hp: 1/6 Hp
Tank Size: 3.5-liter (0.9 Gallons)
CFM: 1.2 CFM@open flow
Voltage: 110V/60hz
PSI: 1-60 PSI max. pressure
Shipping Weight: 28 Pounds



Power Jet Pro Item #IS975

Featuring the same powerful twin-pump as the Power Jet, the Power Jet Pro compressor is equipped with dual air pressure regulators for precise adjustment of airflow to two individual workstations and a 2 liter tank reservoir to power the Iwata Eclipse and Eclipse G6 Pistol Grip airbrush.

- 2 liter air storage tank, for spraying at higher air pressures and maximum moisture separation
- Zero pulsation at all air pressures
- DUAL Adjustable pressure regulators
- DUAL Case-mounted air regulator / moisture-filter
- DUAL Quick disconnect ports
- DUAL Built-in airbrush holders
- Strong protective outer case
- Size: 13 x 9 x 7 in. (33 x 23 x 18 cm)
- Smart Jet Technology and 2X Sprint Jet Power



Technical Specifications

Hp: 1/6 Hp
CFM: 1.2 CFM@open flow
Voltage: 110V/60hz
PSI: 1-60 PSI max. pressure
Shipping Weight: 26.5 Pounds



Smart Jet Plus Tubular Compressor Item #IS875HT

The tubular air tank is the carry handle! Works great with the Eclipse BCS (40 psi), Kustom TH (40 psi fan/round cap), RG-3 (40 psi round cap), Eclipse G3, G5 and G6 (42-44 psi)

- Compressor shuts itself off automatically when not in use
- Zero-maintenance, oil-less piston air compressor
- Built-in airbrush holder
- Air Regulator and Gauge for precise air pressure adjustment
- Air tank (0.45 liter) inside the handle
- High-strength braided nylon covered hose fits all Iwata airbrushes
- On/off switch

Technical Specifications

Hp: 1/6 Hp
CFM: .81 CFM@open flow
Tank Size: 0.45 liter
Voltage: 110V/60hz
PSI: 1-60 PSI max. pressure
Shipping Weight: 13 Pounds



Power Jet Plus Tubular Compressor Item #IS925HT

The tubular air tank is the carry handle! Works great with Eclipse BCS (50 psi), Kustom TH (50 psi fan/round cap), RG-3 (40 psi round cap / 20 psi fan cap), Eclipse G3, G5 and G6 (42-44 psi), LPH-80 (30 psi) and W-101 (18 psi).

- Compressor shuts itself off automatically when not in use
- Zero-maintenance, oil-less piston air compressor
- Built-in spray gun holder
- Air Regulator and Gauge for precise air pressure adjustment
- Air tank (0.5 liter) inside the handle
- High-strength braided nylon covered hose fits all Iwata airbrushes
- Two built-in cooling fans
- Smart Technology and 2x Sprint Jet Power
- On/off switch

Technical Specifications

Hp: 1/4 Hp
CFM: 1.4 CFM@open flow
Tank Size: 0.5 liter
Voltage: 110V/60hz
PSI: 1-60 PSI max. pressure
Shipping Weight: 17 Pounds





The Artool® Freehand® Airbrush Templates are a real asset to anyone who uses an airbrush. Delineate shapes by matching the contours of the Freehand® Airbrush Templates with the subject matter. Simply rotate or flip-flop these templates to find the shape which works best for a hard-edge shape, or you can raise the template slightly to create a soft-edge contour.

SOLVENT PROOF! Easily used with water-based and solvent-based paints.
#1 Templates in Airbrushing™

The **ESSENTIAL SEVEN™**
SIGNATURE SERIES

ALL SEVEN!!!
FH-P-SP



by **EDDIE YOUNG**
FH-1-SP
6" x 8"

by **EDDIE YOUNG**
FH-2-SP
6" x 7.5"

THE 360° SHIELD
by **RICHARD MONTOYA**
FH-3-SP
5" x 13"



THE 45° SHIELD
by **RICHARD MONTOYA**
FH-4-SP
5.5" x 12.5"

MINI SHIELD
by **ANDREA MISTRETTA**
FH-5-SP
4.5" x 5.5"

SUPER SHIELD
by **ANDREA MISTRETTA**
FH-6-SP
6.5" x 7.5"

THE BIG SHIELD
by **GABE MCCUBBIN**
FH-7-SP
5.5" x 14.5"

PIN-UP SHIELD™
by **EDWARD REED**

PIN UP SHIELD
FH-10
5.5" x 13.5"



The **ANGLE MASTER™**

THE ANGLE MASTER
FH-9-SP
6" x 10"

by **GARY PADILLA**



INTRO SERIES™
by **Robert Paschal**

INTRO SERIES
FH-IS1
7" x 9"



THE WAVE MAKER™
by **MARK "THE SHARK" RUSH**

THE WAVE MAKER
FH-8
5.5" x 11"



FLAME MASTER™

by **"MR. J" JULIAN BRAET**

COMPLETE SET
FH-FM



THE MEDIUM
FH-FM1
5.5" x 11"

THE MULTIPLE
FH-FM2
8.5" x 13"

MATCH MAKERS™

by **MICHAEL CACY**

MATCH MAKERS
FH-11
8" x 9"



MASTER™
FH RV
SERIES

by **RADU VERO**

SOLD AS SET
FH-RV-SP



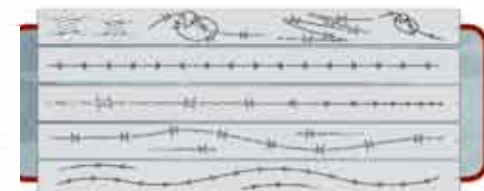
THE PHAROAH
5.5" x 7"

THE BIRD
9.5" x 13"

Long Lines™
SERIES



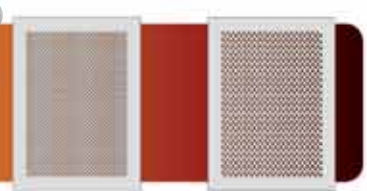
by **DEAN LOUCKS**
SOLD AS SET
FH-LL1



Each WIRED™ Artool® Template Measures 48" x 4"



Chris Cruz's Step-By-Step Carbon Fiber FX™ INCLUDED!
SOLD AS SET
FH-CFX-1



MINI FIBER
7" x 9"

STANDARD FIBER
7" x 9"



MINI SERIES
FH-SK4 SP- MS
5" x 7"

ALL THREE!!!
FH-SK4 SP



THE MULTIPLE
FH-SK1 SP
7.5" x 10"



THE FRONTAL
FH-SK2 SP
7" x 9.5"



THE SCREAMING
FH-SK3 SP
6" x 8.75"



MINI SERIES
FH-SK9MS
5" x 7"

ALL FOUR!!!
FH-SK9



NITE & DAY
FH-SK5
7" x 9"



DEVIL OR ANGEL
FH-SK6
7" x 9"



BONZ
FH-SK7
9" x 7.5"



MENAGERIE
FH-SK8
7.5" x 9"



MINI SERIES
FH-SK15-MS
5" x 7"

ALL FIVE!!!
FH-SK15



PETTING ZOO
FH-SK10
8" x 10"



EVIL-HORDE
FH-SK11
8" x 10"



BUCCANEER
FH-SK12
8" x 10"



VOO DOO
FH-SK13
8" x 10"



BONZ II
FH-SK14
7" x 10"



MINI SERIES
FH-SK20-MS
5" x 7"

ALL FOUR!!!
FH-SK20



FRONTAL II
FH-SK16
8" x 10"



MULTIPLE II
FH-SK17
10" x 8"



SCREAMIN' II
FH-SK18
8" x 10"



LUCKY 13
FH-SK19
8" x 10"



MINI SERIES
FH-SK24 SP-MS
5" x 7"

SOLD AS SET
FH-SK24 SP



HEADS-UP
FH-SK21 SP
8" x 10"



THE SCREAM
FH-SK22 SP
8" x 10.5"



PROFILE
FH-SK23 SP
10.5" x 8"



MINI SERIES
FH-SK32MS
5" x 7"

ALL SIX!!!
FH-SK32



MR. POTATO BONZ
FH-SK26
10" x 8"



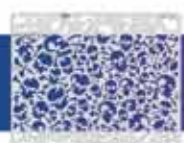
MR. POTATO BONZ
STUPH #1
FH-SK27
10" x 8"



MR. POTATO BONZ
STUPH #2
FH-SK28
10" x 8"



BURIAL GROUND
FH-SK29
8" x 10"



KALAVERAS
FH-SK30
10" x 8"



BONZ III
FH-SK31
8" x 10"



MINI SERIES
FH-PRY-7 MS

5" x 7"

ALL SIX!!
FH-PRY-7



TELL NO TALES
FH-PRY-1
8" x 10"



JOLLY RODGER
FH-PRY-2
8" x 10"



O' CURSED
FH-PRY-3
8" x 10"



TORTUGA
FH-PRY-4
8" x 10"



FLYING DUTCHMAN
FH-PRY-5
8" x 10"



PIECES OF EIGHT
FH-PRY-6
8" x 10"



SOLD AS SET
FH-SK-LTD



SMALL
5.5" x 3"



MEDIUM
8" x 4.5"



LARGE
11" x 6"



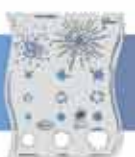
EXTRA LARGE
15" x 7.5"



ALL SIX!!
FH-KFX-7SP



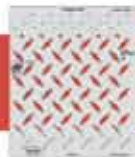
TIKI-MADNESS
FH-KFX-1SP
8" x 9.5"



BULLET-RIDDEN
FH-KFX-2SP
7.5" x 9"



CHEETAH-PIMP
FH-KFX-3SP
7.5" x 10"



DIAMOND-PLATE
FH-KFX-4SP
8" x 9"



CLOUD-9
FH-KFX-5SP
7" x 10"



BRAINIAC
FH-KFX-6SP
7.5" x 10"

MINI SERIES
FH-KFX-7SP-MS

5" x 7"



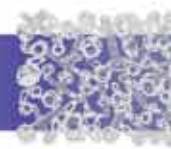
MINI SERIES
FX-II 14-MS

5" x 7"

ALL SIX!!
FX-II 14



PUZZLED
FX-II 8
8" x 9.5"



NUTZ 'N' BOLTZ
FX-II 9
10" x 8"



GEAR HEAD
FX-II 10
10" x 8"



DOLLA' BILL
FX-II 11
8" x 10"



DRAGON SKIN
FX-II 12
10" x 8"



THE BLOB
FX-II 13
10" x 8"



MINI SERIES
FH-KKFX-21-MS

5" x 7"

ALL SIX!!
FH-KKFX-21



FLYBALLZ
FH-KKFX-15
8" x 10"



PISTON'S & PLUGS
FH-KKFX-16
8" x 10"



LUCKY 7
FH-KKFX-17
8" x 10"



ACES 'N' EIGHTS
FH-KKFX-18
8" x 10"



SACRED HEART
FH-KKFX-19
8" x 10"



MARTINI TIME
FH-KKFX-20
8" x 10"

ALL SIX!!
FH-FX3-21

MINI SERIES
FH-FX3-21-MS

5" x 7"



GLYPHS
FH-FX3-15
8" x 10"



UNCHAINED
FH-FX3-16
8" x 10"



THE WEB
FH-FX3-17
8" x 10"



BLADES
FH-FX3-18
8" x 10"



MUSIKA
FH-FX3-19
10" x 8"



BARBY
FH-FX3-20
8" x 10"

ALL SIX!!
FH-FX4-28

MINI SERIES
FH-FX4-28-MS

5" x 7"



WRENTCHED
FH-FX4-22
8" x 10"



FRONDS
FH-FX4-23
8" x 10"



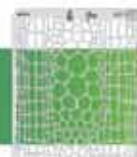
SRAEG
FH-FX4-24
8" x 10"



CLASSIC CAMO
FH-FX4-25
8" x 10"



DIGITAL CAMO
FH-FX4-26
8" x 10"



GATOR
FH-FX4-27
8" x 10"

FLAME-O-RAMA

MINI SERIES
FH-FOR-SSP-MS
5" x 7"

ALL FOUR!!
FH-FOR-SSP



FLAME-DANGO
FH-FOR-1SP
5.5" x 7.5"



OL' SCHOOL
FH-FOR-2SP
5.5" x 7.5"



SLASH
FH-FOR-3SP
5.5" x 7.5"



FUNKADELIK
FH-FOR-4SP
5.5" x 7.5"

FLAME-O-RAMA 2

MINI SERIES
FH-FOR-12 MS
5" x 7"

ALL SIX!!
FH-FOR-12



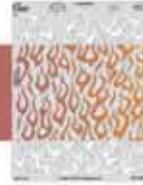
VAN FLAMIN
FH-FOR-6
8" x 10.5"



CLASSICO
FH-FOR-7
8" x 10.5"



FIREBALZ
FH-FOR-8
8" x 10.5"



FLAMGASM
FH-FOR-9
8" x 10.5"



GOHIKA
FH-FOR-10
8" x 10.5"



SPOT
FH-FOR-11
8" x 10.5"

Revolution

MINI SERIES
PTR-SSP-MS
5" x 7"

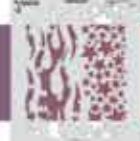
ALL FOUR!
PTR-SSP



RED
PTR-1SP
10" x 8"



WHITE
PTR-2SP
8" x 10"



AND BLUE
PTR-3SP
8" x 10"



EAGLE ONE
PTR-4SP
8" x 10"

SPIDER MASTER

MINI SERIES
FH-SM4-MS
5" x 7"

ALL THREE!!
FH-SM-4



SPIDERZ
FH-SM-1
8" x 10"



ARACHNOPHOBIA
FH-SM-2
8" x 10"



WIDOW-MAKER
FH-SM-3
8" x 10"

STEAMPUNK

MINI SERIES
FH-SPFX-7-MS
5" x 7"

ALL SIX!!
FH-SPFX-7



JUNK
FH-SPFX-1
8" x 10"



MECHANIX
FH-SPFX-2
8" x 10"



GAUGES
FH-SPFX-3
8" x 10"



SWITCHES
FH-SPFX-4
8" x 10"



KLOCKWORX
FH-SPFX-5
8" x 10"



GEAR DRIVES
FH-SPFX-6
8" x 10"

VIKING

MINI SERIES
FH-VKFX-5-MS
5" x 7"

ALL FOUR!!
FH-VKFX-5

Craig Fraser's
Step-By-Step
Viking FX™ INCLUDED!



RUNES
FH-VKFX-1
8" x 10"



VAHALLA
FH-VKFX-2
8" x 10"



BERZERKER
FH-VKFX-3
8" x 10"



DRAUGAR
FH-VKFX-4
8" x 10"

THE HSTENCILS

SOLD AS SET
FH-HS1

NEW!
Craig Fraser's
Blue Fire Vette Step-By-Step
INCLUDED!



8" x 2.5"



12" x 4"

TRUE FIRE



WITH INSTRUCTIONAL DVD BY MIKE LAVALLEE



by MIKE LAVALLEE

DIABLO A, B AND C

A: 18" x 10" B: 13.5" x 8" C: 10" x 6"

SOLD AS SET
FH-TF1



INFERNO A, B AND C

A: 18" x 9" B: 16" x 7.5" C: 11" x 5.5"

WILD FIRE A, B AND C

A: 18" x 8" B: 13.5" x 6" C: 10" x 4.5"

TRUE FIRE



WITH INSTRUCTIONAL DVD BY MIKE LAVALLEE



by MIKE LAVALLEE

MINI SERIES
FH-TF1-MS



DIABLO
7" x 4"

INFERNO
7" x 3.5"

WILD FIRE
7" x 3"

TRUE FIRE 2



by MIKE LAVALLEE

PYRO A, B AND C

A: 13.5" x 10.5" B: 10" x 8" C: 7.5" x 6"



SOLD AS SET
FH-TF2

FIREBALL A, B AND C

A: 14" x 10.5" B: 10.5" x 8" C: 7.5" x 5.5"

BLAZE A, B AND C

A: 16" x 10.5" B: 12" x 8" C: 9" x 5.5"

BIOMECH FX

by MIKE LAVALLEE

SKULL BUSTER

BONUS! ALSO INCLUDED: TECH SUPPORT

SOLD AS SET
FH-BMFX-1

Set contains 2 templates with multiple pieces plus Tech Support



BMFX 1A
10.5" x 9.5"



BMFX 1B
8" x 7.25"

SPINAL TRAP

BONUS! ALSO INCLUDED: TECH SUPPORT

SOLD AS SET
FH-BMFX-2

Set contains 2 templates with multiple pieces plus Tech Support



BMFX 2A
12" x 6"



BMFX 2B
9" x 5"

TECH SUPPORT

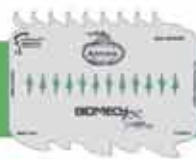
Only available with Skull Buster and Spinal Trap



8" x 6.5"



8" x 6.75"



8" x 6"



7.5" x 5"



SMOKIN' JOES

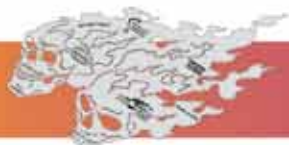
SOLD AS SET
FH-HH1



SM 6" x 3"



MED 8" x 4"



LG 10.25" x 5.25"



XLG 13.75" x 7"

HELL RIDERS

SOLD AS SET
FH-HH2



SM 6" x 3.75"



MED 8" x 5"



LG 10.5" x 6.5"



XLG 13.75" x 8.5"



Get Your Skull On!

CRANIUM

SOLD AS SET
FH-BH1



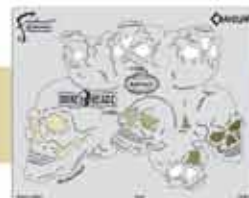
SM 6" x 4.75"



MED 8" x 6.25"



LG 10.5" x 8.25"



XLG 13.25" x 10.5"

SCREAMERS

SOLD AS SET
FH-BH2



SM 6" x 4.75"



MED 8" x 6.25"



LG 10.5" x 8.25"



XLG 13.75" x 11"

EIGHT 8 DEAD

SOLD AS SET
FH-BH3



SM 6" x 4.75"



MED 8" x 6.25"



LG 10.5" x 8.25"



XLG 13.75" x 11"



NEW!



CIRCLE FX
FH-BLTFX-1
8" x 10.5"



OVAL FX
FH-BLTFX-2
8.5" x 10.75"



GAMBLIN' FX
FH-BLTFX-3
8" x 11"



LUCKY FX
FH-BLTFX-4
8.5" x 11"



SACRED FX
FH-BLTFX-5
8" x 11"



MARINE FX
FH-BLTFX-6
8.5" x 11"

by **RYAN "RYNO" TEMPLETON**
SOLD AS SET
FH-BLTFX-7

MINI SERIES
FH-BLTFX-7-MS

Circle FX and Oval FX Sold Separately



GAMBLIN' FX
5" x 7"



LUCKY FX
5" x 7"



SACRED FX
5" x 7"



MARINE FX
5" x 7"



by DENNIS MATHEWSON

MINI SERIES
FH-TM-7-MS

ALL SIX!!
FH-TM-7

5" x 7"



TRIBAL TIKI
FH-TM-1
8" x 10"



KONA TIKI
FH-TM-2
8" x 10"



TIKI TROUBLE
FH-TM-3
8" x 10"



TIKI BAR
FH-TM-4
8" x 10"



TOTEM TIKI
FH-TM-5
8" x 10"



ALOHA SPIRIT
FH-TM-6
8" x 10"



by DENNIS MATHEWSON

MINI SERIES
FH-TM-14-MS

ALL SIX!!
FH-TM-14

5" x 7"



TROPIC TRIBALS
FH-TM-8
8" x 10"



HULA SPIRIT
FH-TM-9
8" x 10"



TWO FACE TIKI
FH-TM-10
8" x 10"



TIKI JOE
FH-TM-11
8" x 10"



FREAKIN' TIKIS
FH-TM-12
8" x 10"



LEILANI
FH-TM-13
8" x 10"



by DENNIS MATHEWSON

MINI SERIES
FH-KM-MS

ALL SIX!!
FH-KM7

5" x 7"



DRAGON
FH-KM1
9" x 12"



KOI
FH-KM2
8" x 12"



TSUNAMI
FH-KM3
9" x 12"



BAMBOO
FH-KM4
9" x 12"



KANJI MASKS
FH-KM5
9" x 12"



KANJI SYMBOLS
FH-KM6
9" x 12"



by DENNIS MATHEWSON

NEW!

Dennis Mathewson's
Step-By-Step Wood Grain FX™
Demo INCLUDED!

SOLD AS SET
FH-WGFX-1



FH WGFX 1 (B)
11" x 5.5"



FH WGFX 1 (A)
15.5" x 8"



by DENNIS MATHEWSON

SOLD AS SET
FH-BFX-1

BONUS DVD!!



ALSO INCLUDED IS THE
70 MINUTE ARTOOL®
BUBBLE FX™ AIRBRUSH
MASTER CLASS DVD
by DENNIS



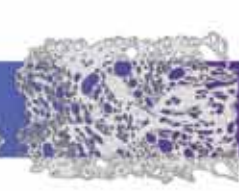
FH-BFX-1 (A)
10" x 8"



FH-BFX-1 (B)
10" x 8"



FH-BFX-1 (C)
9" x 6.5"



FH-BFX-1 (D)
7" x 5"

FH BFX 1 (C) and (D) are produced from a SOLVENT-RESISTANT polymer coated paper. With proper care, they will last for many years.

METROPOLIS™



by YVONNE MECIALIS

SOLD AS SET
FH-MET-1



WING
17.75" x 6.5"



SERPENT
10.5" x 10"



RAZOR
12.5" x 8"



EYE
15" x 7"



COMB
5" x 6.5"



ARCH
14" x 6"



42
Circus of the Tribes
Circus of the Tribes



TRIBALNOMETRY
SMALL 5"



TRIBALNOMETRY
MEDIUM 10"



TRIBALNOMETRY
LARGE 17"

by **STEVE VANDEMON**

SOLD AS SET
FH-TRM1



CIRQUE DU TRIBLE'
LARGE 9"

CIRQUE DU TRIBLE'
MEDIUM 6"

CIRQUE DU TRIBLE'
SMALL 3.5"



by **STEVE VANDEMON**

SOLD AS SET
FH-TRM2

48
Circus of the Tribes
Circus of the Tribes



8" x 7"



7" x 7"



7" x 7"



7" x 6.5"



7" x 9"



7" x 7"



8" x 8"



9" x 10"



by **DEBORAH MAHAN**

MINI SERIES
FH-PG1-MS

SOLD AS SET
FH-PG-1



PIRATE GIRLIE
9" x 12"



SHANGHAIED
9" x 12"



GIRLIE GIRL
9" x 12"



GIRLIE CHEST
9" x 12"



MERMAID GIRLIE
9" x 12"



by **DEBORAH MAHAN**

MINI SERIES
FH-PUG-MS

SOLD AS SET
FH-PUG



**GIRLIE GIRL AND
LITTLE GIRLIE A**
12" x 9"



**GOOD AND
GOTH GIRLIES A**
9" x 12"



**GIRLIE GIRL AND
LITTLE GIRLIE B**
12" x 9"



**GOOD AND
GOTH GIRLIES B**
9" x 12"



HOT ROD GIRLIE
12" x 9"



by **DEBORAH MAHAN**

MINI SERIES
FH-PUG II-MS

SOLD AS SET
FH-PUG II



GIRLIE 6
12" x 9"



GIRLIE 7
12" x 9"



GIRLIE 8
12" x 9"



GIRLIE 9
12" x 9"



GIRLIE 10
12" x 9"



by **DEBORAH MAHAN**

MINI SERIES
FH-SG-MS

SOLD AS SET
FH-SG1



SAILOR'S HEART
9" x 12"



FISHY GIRL
9" x 12"



DANCE TYME
9" x 12"



LUCKY LADY
9" x 12"



NEW!

Artool® Aztec FX™ Step-By-Step
by Gerald Mendez
Artool® Aztec FX™ Muestra Paso
a Paso por Gerald Mendez

SOLD AS SET
FH-AZTFX-1



5.5" x 5.5"



10" x 10"

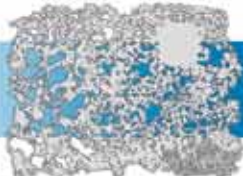


3.5" x 3.5"

by **GERALD MENDEZ**

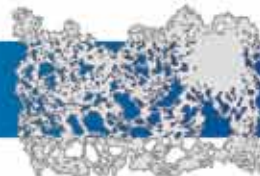


by **GERALD MENDEZ**



SOLD AS SET
FH-TFX1

ORGANIC
8.5" x 11"



MASTER
8.5" x 11"



COSMIC
8.5" x 11"

MINI SERIES
FH TFX1-MS

5" x 7"

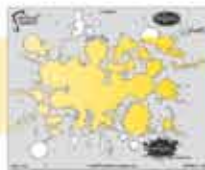
Texture FX™ are produced from a SOLVENT-RESISTANT polymer coated paper. With proper care, they will last for many years.



by **GERALD MENDEZ**

NEW!

SOLD AS SET
FH-SFX-1



HI IMPACT
FH SFX 1 (A)
10" x 8"



XTREME
FH SFX 1 (B)
10" x 8"



MULTI SPLATTER
FH SFX 1 (C)
10" x 8"

NEW!

FOUR TEMPLATES IN ONE!
in each set

PRODUCTS ARTOOL COMPANY, INC.

NANO SERIES™

by **CRAIG FRASER**

SOLD AS SET
FH-NS-1

by **CRAIG FRASER**

SOLD AS SET
FH-NS-2

by **MIKE LAVALLEE**

SOLD AS SET
FH-NS-3

DIABLO

INFERNO

WILD FIRE

SOLD AS SET
FH-NS-4

SOLD AS SET
FH-NS-5

SOLD AS SET
FH-NS-6

When tabs are cut on the Nano Series™ Templates, each Nano measures 2" x 3.5"

Automotive Airbrush Set CS

without Compressor PN: 4221

with Compressor PN: 4220

Start airbrushing today with this self-starting kit. It has everything one needs to get started airbrushing on vehicles, helmets, tanks, virtually anything!



Airbrush Concepts
by Craig Fraser
DVD



Artool Angle
Master Freehand
Airbrush Template



Smart Jet Compressor with Iwata Eclipse HP-CS
and Braided Nylon Air Hose

Automotive Airbrush Set BCS

without Compressor PN: 4211

with Compressor PN: 4210

Start airbrushing today with this self-starting kit. It has everything one needs to get started airbrushing on vehicles, helmets, tanks, virtually anything!



Medea Solvent Proof
Bottle Pack
with Airbrush Cleaner



Artool Angle
Master Freehand
Airbrush Template



Smart Jet Compressor with Iwata Eclipse HP-BCS
and Braided Nylon Air Hose



**Craig Fraser's
Automotive Cheap
Tricks & Special
F/X Book** PN: BOOK 1

NEW!



**Craig Fraser's
Automotive Cheap
Tricks & Special
F/X 2 Book** PN: BCF 100



**Pinstripping
Masters Book**
PN: BPI



**Pinstripping
Masters 2
Book** PN: BPI #2



**Custom Automotive &
Motorcycle Airbrushing by
Pamela Shanteau** PN: VT 050



**Artool® Freehand® Airbrush
DVD** by Bob Soroka
PN: FHV-2-DVD



**Airbrush Concepts
by Craig Fraser DVD**
PN: 4273



**Radical Helmet Graphix
by Craig Fraser DVD**
PN: 4271



**Artool True Fire by
Mike Lavallee DVD**
PN: FH TF DVD

Custom Grip Handle

Ergonomic, textured,
non-slip grip for better
airbrush control

Fits Iwata

- Kustom TH
- Kustom TR
- Revolution TR1
- Revolution TR2

PN: K200



The Triple-Action Handle Fits These Iwata Airbrushes:

- Hi-Line Series
- HP-C and HP-BC
- HP-C Plus and HP-BC Plus
- Eclipse CS, BCS and BS
- Revolution BCR and CR
- Kustom CH and CS

Triple-Action Handle
Invented and Patented by Gentry Riley

One (1) Set with One (1) Silver Handle
PN: K150

One (1) Set with Five (5) Colored Handles
PN: K155

**Works with Iwata airbrushes only. Airbrush not included.*



ULTRA MASK™

Professional Masking Film For Airbrushing Graphics On Anything!

Ultra Mask is a solvent proof, tinted film for easy reference and workability. It's low tack with secure adhesive strength is safe for artwork. Ultra Mask provides maximum stretch for those irregularly shaped surfaces.

PN: F501 24" X 5 yds roll

PN: F502 24" X 10 yds roll

PN: F503 9" X 6.5 ft roll

PN: F504 9" X 11" sheets (5 ea.)



FRISKETFILM™

FOR AIRBRUSHING, MASKING AND STENCILING

Artool FrisketFilm is a low tack, soft-peel, self-adhesive masking film. It has a translucent backing for easy handling, cuts cleanly and can be removed easily from nearly every working surface such as photographs, illustration board, Claybord, paper, canvas, glass, plastic, metal and glazed ceramic surfaces.

MATTE

PN: F301 10" x 4 yds roll (6 per carton)

PN: F302 14" x 4 yds roll (6 per carton)

GLOSS

PN: F401 10" x 4 yds roll (6 per carton)

PN: F402 14" x 4 yds roll (6 per carton)



STRETCHmask™

Adhesive-Backed Masking Film

StretchMask is a multi-medium, stretchable and flexible repositionable masking film. It is especially suited to conform to curved and irregular surfaces such as motorcycle tanks, helmets, etc. It is clear, thin film that cuts very easily with any brand of art knife or single-edged razor and can be effortlessly manipulated and repositioned with your artwork always in view.

PN: F101 18" x 10 yds

PN: F102 18" x 25 yds



AUTOMOTIVE MASK

Automotive Mask features a medium to low tack adhesive that is designed for airbrushing with automotive basecoat/clearcoat. It is also semi-transparent and can be written on with pencil or pen. Automotive Mask can be cut and if used properly will leave no adhesive residue.

PN: TR 12" x 100 yds



Hobby Mask™

Adhesive-Backed Masking Film

Hobby Mask is a clear adhesive airbrushing film, which is solvent-proof and can adhere to irregular and odd contours. It is especially suited for model-making applications, such as scale autos, RC car bodies, camouflage, armor patterns, weathering accents, racing stripes, modern geometric designs and nearly any airbrush or paint masking application.

HM-1 6" x 10 yds.

HM 2 MS 4" x 5 yds.

Airbrush Holders

- Made of high-impact-resistant plastic and nickel-plated brass
- Securely hold two of any make/model airbrush
- Attach to tabletop, easel, workstation and virtually anywhere
- Bracket can accommodate most air filters and regulators

PN: AH250



Pistol-Grip Moisture Filter

- Last line of defense against moisture attaching directly onto the airbrush
- Miniature in size, the super-fine, 5-micron filter element performs like a full-size filter separator
- Clear filter bowl allows visual inspection of built-up moisture and is evacuated through a spring-loaded release valve – without taking the filter off the airbrush
- Acts as a handle on the airbrush to add comfort and relieve muscle tension

PN: 4274



AIR-PORT™

AIRBRUSH WORK STATION

BY KARAJEN CORP. Patent Pending

Easily mount your AIR-PORT with its sturdy mounting magnets anywhere you work or bolt it to a desired location for permanent mounting. Holds 3 airbrushes and all your airbrushing supplies (not included).

Dimensions - 9" w X 5" d X 2.5" h

Weight - 4 lbs

PN: KJ 200



AIR-PORT HANGER™

BY KARAJEN CORP. Patent Pending

The AIR-PORT HANGER features adjustable sliding arms to accommodate various airbrush styles and attaches securely to most metal surfaces by its powerful mounting magnet, or it can be bolted permanently to any work area.

PN: KJ 100



Medea Airbrush Cleaner

- High-strength, general-purpose cleaner, great for cleaning any airbrush or artist tools
- Environmentally safe and ready to use
- Apply in the needle cap and along the needle to enhance paint flow and prevent tip drying

4242 4 oz. Cleaner

4217 8 oz. Cleaner

4216 16 oz. Cleaner

4226 32 oz. Cleaner



Medea Super Lube

- Natural and non-toxic, can be used on all moving parts of an airbrush
- Use on main lever, needle packing and valve-piston packing to keep them moving smoothly
- Apply in the needle cap and along the needle to enhance paint flow and prevent tip drying

PN: 4218 — 1/2 oz. (14 ml)



PN: 4203
2 oz. (56 ml)
Cylinder

PN: 4123
3 oz. (84 ml)
Cylinder

PN: 4124
4 oz. (112 ml)
Cylinder



PN: 4162
1 oz. (28 ml)
Cylinder

PN: 4163
2 oz. (56 ml)
Cylinder

PN: 4133
4 oz. (112 ml)
Cylinder

High Strength Translucent Jars and Cylinder Bottles

- Most complete bottle assortment available anywhere
- Sets are designed for all types of mediums — both solvent and water-based paints
- Cylinder bottles are ideal for designing compact multiple-gun systems since they will fit closer together than the jar-shaped bottles

Available with No-Rust or Fast-Blast Caps.



PN: 4175
1 oz. (28 ml)
High Strength
Cylinder

PN: 4178
2 oz. (56 ml)
High Strength
Cylinder

PN: 4176
2 oz. (56 ml)
High Strength
Cylinder

PN: 4179
4 oz. (112 ml)
High Strength
Cylinder

Crystal Clear Jars and Cylinder Bottles

- For water-based paint only, these bottles reveal the actual color in the bottle

Available with No-Rust or Fast-Blast Caps.



PN: 4177
1 oz. (28 ml)

PN: 4152
2 oz. (56 ml)

PN: 4159
4 oz. (112 ml)

Squeeze Bottles with Twist-Off Lid

- Mix paint and squeeze paint into your airbrush cup



PN: 4223
1/8 oz. (4 ml)
Side Cup HP-SB, SBS

PN: 4156
1/4 oz. (7 ml)
Side Cup
HP-SB, SBS

PN: 4228
1/2 oz. (14 ml)
Gravity Cup
HP-SB, SBS

PN: 4173 1 oz. (28 ml)
PN: 4163-S 2 oz. (56 ml)

Side-Feed Bottles, Siphon- and Gravity-Feed Cups

- Add versatility to any side-feed Iwata airbrush with these bottles and cups



Bottle Set PN: 4222

- One 1 oz. and 4 oz. Bottles, 1 oz. Medea Airbrush Cleaner and two 2 oz. Bottles



Pre-Set Adjustable Handles

- PN: 4287 — HP-A, B and SB
- PN: 4105 — HP-C, BC, BC2, CS and SBS
- PN: 4065 — HP-BE1 and BE2
- PN: 4121 — Single Cut Handle HP-C, BC, BC2, CS, BCS and SBS
- Great for adjusting to the perfect working spray width
- Limit the amount of needle travel, allowing for greater control of the airbrush
- Ideal for students getting started or for professionals where the finest control of spray is needed
- Adjustment screw is finely threaded, allowing for precise fine tuned control
- Handles available for all Iwata airbrushes, except the Revolution SAR



Iwata Moisture Filter with Regulator and Gauge

- PN: FA600DH and FA700DH
- Essential for optimizing the performance of both the compressor and the airbrush
- Attach either directly to the air source or can be placed inline between two airhoses
- A high-quality 5-micron filter is used to remove any potential moisture particles



Cobra Coil Airhose PN: 4132 — 10' (3.05m)

- Unique in its design because it recoils out of the way when not in use
- Made of strong polyurethane for use with all Iwata airbrushes and most other airbrush brands



Straight Shot Airhose

PN: 4012 — 10' (3.05m)

- Made of polyurethane, which is 1/3 the weight and twice the strength of the braided airhose
- For use with all Iwata airbrushes and most other airbrush brands



Nylon-Covered Braided Airhoses

PN: 4010 — 10' (3.05m)

- Available for all Iwata airbrushes

PN: BT 050 — 10' (3.05m)

- 1/4" fittings on both ends
- Available for the LPH80 and other touch-up spray guns



Quick Disconnect Sets PN: 4275

- Allow versatile use of multiple airbrushes with one air source and hose
- Completely shuts off airflow when disconnected
- Screws onto all Iwata airhoses and airbrushes
- With its quick-release action, changing airbrushes is fast and easy
- Rated for air pressures up to 120 psi



Quick Disconnect Adaptors (Male Only) PN: 4275-2

- Screw onto each Iwata airbrush and are used in conjunction with the quick disconnect set on the airhose
- Allows for the convenient use of multiple Iwata airbrushes with one airhose

Part Numbers (PN:)

AIRBRUSHES

Custom Micron Series

4202 (ICM2000)	CM-B Airbrush
4209 (ICM3000)	CM-SB Airbrush
4208 (ICM4000)	CM-C Airbrush
4212 (ICM4500)	CM-C Plus Airbrush

Eclipse Series

4200 (ECL2000)	HP-BCS Bottle-Feed Airbrush and Bottle Only
4201 (ECL2001)	HP-BCS Bottle-Feed Set Airbrush, Bottle, Hose, Cleaner and Paint
4205 (ECL3500)	HP-SBS Side-Feed
4206 (ECL3550)	HP-SBS Autographics
4207 (ECL4500)	HP-CS Large Gravity-Feed
4331 (ECL9100)	G3 Pistol Grip Airbrush
4332 (ECL9200)	G5 Pistol Grip Airbrush
4214 (ECL9000)	G6 Pistol Grip Airbrush

Hi-Line Series

4231 (H1100)	Hi-Line AH Airbrush
4232 (H2100)	Hi-Line BH Airbrush
4003 (H4100)	Hi-Line CH Airbrush

HP (High Performance) Plus Series

4233 (H1001)	HP A Plus Airbrush
4234 (H2001)	HP B Plus Airbrush
4004 (H4001)	HP C Plus Airbrush
4235 (H3001)	HP SB Plus Airbrush
4236 (H5001)	HP BC Plus Airbrush

Kustom Series

4290 (K9000)	Kustom CM Airbrush
4292 (K9200)	Kustom HP-TH Airbrush
4294 (K9400)	Kustom TR Airbrush
4295 (K9100)	Kustom CH Airbrush
4298 (K9300)	Kustom CS Airbrush

Revolution Series

4240 (R2000)	HP-BCR Bottle-Feed
4241 (R2001)	HP-BCR Bottle-Feed Set Airbrush Bottle and Hose
4247 (R4500)	HP-CR Large Gravity-Feed
4239 (R1000)	HP-SAR Single Action Bottle-Feed
4237 (R5000)	HP-TR1 0.3-mm Nozzle
4238 (R5500)	HP-TR2 0.5-mm Nozzle

NEO Series for Iwata

4305 (IW 430)	CN NEO for Iwata Gravity-Feed
4310 (IW 431)	BCN NEO for Iwata Siphon-Feed

Anest Iwata Spray Guns

4910	LPH80-082G 0.8 Nozzle
4925	LPH80-104G 1.0 Nozzle
4930	LPH80-124G 1.2 Nozzle

COMPRESSORS

Iwata Studio Series Compressors

IS850	Smart Jet (Smart Technology)
IS875	Smart Jet Pro (Smart Technology)
IS900	Power Jet (2x Sprint Power and Smart Technology)
IS925	Power Jet Lite (2x Sprint Power and Smart Technology)
IS975	Power Jet Pro (2x Sprint Power and Smart Technology)
IS875HT	Smart Jet Plus Tubular (2x Sprint Power and Smart Technology)
IS925HT	Power Jet Plus Tubular (2x Sprint Power and Smart Technology)

ACCESSORIES

Airbrush Holders

AH250	Deluxe Airbrush Holder with Regulator Bracket
-------	-----------------------------------------------

Bottle Set

4222	PKG 1 of Each Bottle 1 oz., 4 oz., 1 oz. of Cleaner and 2 Each 2 oz. Bottles
------	------------------------------------------------------------------------------

Cleaners and Lubricants

4218	1/2 oz. (14 ml) Super Lube
4242	4 oz. Cleaner
4217	8 oz. Cleaner
4216	16 oz. Cleaner
4226	32 oz. Cleaner

Crystal Clear Jars and Cylinder Bottles

(Water-Based Paint Only)

4175	1 oz. (28 ml) High Strength Cylinder
4178	2 oz. (56 ml) High Strength Cylinder
4176	2 oz. (56 ml) High Strength Cylinder
4179	4 oz. (112 ml) High Strength Cylinder

ACCESSORIES (CONT'D)

Custom Grip Handle

K200	Custom Grip Handle
------	--------------------

Filters and Air Regulators

FA600DH	Iwata Moisture Filter with Regulator and Gauge
FA700DH	Iwata Moisture Filter with Regulator and Gauge
4274	Pistol-Grip Moisture Filter

High Strength Translucent Jars and Cylinder Bottles (Water and Solvent-Based Paints)

4203	2 oz. (56 ml) Cylinder
4162	1 oz. (28 ml) Cylinder
4163	2 oz. (56 ml) Cylinder
4133	4 oz. (112 ml) Cylinder
4123	3 oz. (84 ml) Cylinder
4124	4 oz. (112 ml) Cylinder

Karajen Products

KJ 200	Air-Port Airbrush Work Station
KJ 100	Air-Port Hanger

Pre-Set Adjustable Handles

4287	Pre-Set Handle HP-A, B, SB
4105	Pre-Set Handle HP-C, BC, BC2, CS, SBS
4065	Pre-Set Handle HP-BE1, BE2
4121	Single Cut Handle HP-C, BC, BC2, CS, BCS, SBS

Quick Disconnect Sets

4275	Quick-Fit Quick Disconnect Adapter Set
4275-2	Quick-Fit Quick Disconnect Adapter MALE ONLY

Side-Feed Bottles, Siphon and Gravity-Feed Cups

4173	1 oz. Side-Feed Bottle with Lid
4163-S	2 oz. Side-Feed Bottle with Lid
4223	1/8 oz. (4 ml) Side Cup HP-SB, SBS
4156	1/4 oz. (7 ml) Side Cup HP-SB, SBS
4228	1/2 oz. (14 ml) Gravity Cup HP-SB, SBS

Squeeze Bottles

4177	1 oz. Squeeze Bottle with Lid
4152	2 oz. Squeeze Bottle with Lid
4159	4 oz. Squeeze Bottle with Lid

Triple-Action Handle

K150	One (1) Set with One (1) Silver Handle
K155	One (1) Set with Five (5) Color Handles

AIRHOSES

Cobra Coil Airhoses

4132	10' (3.05m) for Iwata
------	-----------------------

Nylon Covered Braided Airhoses

4010	10' (3.05m) for Iwata
BT 050	10' (3.05m) 1/4" Fittings, Both Ends

Straight Shot Airhoses

4012	10' (3.05m) for Iwata
------	-----------------------

AIRBRUSH KITS

4210	BCS Airbrush Kit with Compressor
4211	Airbrush Kit with Eclipse BCS (No Compressor)
4220	CS Airbrush Kit with Compressor
4221	Airbrush Kit with Eclipse CS (No Compressor)

INSTRUCTIONAL VIDEO TAPES, BOOKS AND DVDS

BPI	Pinstriping Masters Book
BPI #2	Pinstriping Masters 2 Book
BOOK 1	Craig Fraser's Automotive Cheap Tricks & Special F/X Book
BCF 100	Craig Fraser's Automotive Cheap Tricks & Special F/X 2 Book
VT 050	Custom Automotive & Motorcycle Airbrushing by Pamela Shanteau
4273	Airbrush Concepts by Craig Fraser (DVD)
4271	Radical Helmet Graphix by Craig Fraser (DVD)
FH TF DVD	Artool True Fire by Mike Lavalley (DVD)
FHV-2-DVD	Artool Freehand Airbrush DVD by Bob Soroka (DVD)

MASKING FILMS

Artool FrisketFilm

F301	Matte - 10" x 4 yds roll, 6 per carton
F302	Matte - 14" x 4 yds roll, 6 per carton
F401	Gloss - 10" x 4 yds roll, 6 per carton
F402	Gloss - 14" x 4 yds roll, 6 per carton

Artool Hobby Mask

HM1	6" x 10 yds.
HM 2 MS	Mini Series 4" x 5 yds.

Artool StretchMask

F101	18" X 10 yds.
F102	18" x 25 yds.

Artool Ultra Mask

F501	24" x 5 yds. Roll
F502	24" x 10 yds. Roll
F503	9" x 6.5 ft Roll
F504	9" x 11" Sheets (5 ea. Per Carton)

Automotive Mask

TR	12" x 100 yds.
----	----------------

ARTOOL FREEHAND AIRBRUSH TEMPLATES

Angle Master by Gary Padilla

FH-9-SP	Angle Master
---------	--------------

Aztec FX by Gerald Mendez

FH-AZTFX-1	Aztec FX
------------	----------

Biomech FX by Mike Lavalley

FH-BMFX-1	Skull Buster with Tech Support
FH-BMFX-2	Spinal Trap with Tech Support

Blasted FX by Ryan "Ryno" Templeton

FH-BLTFX-1	Circle FX
FH-BLTFX-2	Oval FX
FH-BLTFX-3	Gamblin' FX
FH-BLTFX-4	Lucky FX
FH-BLTFX-5	Sacred FX
FH-BLTFX-6	Marine FX
FH-BLTFX-7	All Six
FH-BLTFX-7-MS	Mini Series (4 Templates)

Boneheadz by Mike Lavalley

FH-BH1	Cranium
FH-BH2	Screamers
FH-BH3	Eight Dead

Bubble FX by Dennis Mathewson

FH-BFX-1	Bubble FX
----------	-----------

Carbon Fiber FX by Chris Cruz

FH-CFX-1	Carbon Fiber FX
----------	-----------------

Curse of Skull Master by Craig Fraser

FH-SK10	Petting Zoo
FH-SK11	Evil Horde
FH-SK12	Buckaneer
FH-SK13	Voodoo
FH-SK14	Bonz II
FH-SK15	All Five
FH-SK15-MS	Mini Series

Draco Nano Series by Craig Fraser

FH-NS-2	Draco Nano Series Set
---------	-----------------------

Essential Seven Signature Series

FH-1-SP	Eddie Young Template
FH-2-SP	Eddie Young Template
FH-3-SP	360° Shield by Richard Montoya
FH-4-SP	45° Shield by Richard Montoya
FH-5-SP	Mini Shield by Andrea Mistretta
FH-6-SP	Super Shield by Andrea Mistretta
FH-7-SP	The Big Shield by Gabe McCubbin
FH-P-SP	The Essential Seven Set

Evil 3 by Craig Fraser

FH-SK-LTD	Evil 3 Set
-----------	------------

Flame Master by Mr. J.

FH-FM1	Flame Master Medium
FH-FM2	Flame Master Multiple
FH-FM	Flame Master Complete Set

ARTOOL FREEHAND AIRBRUSH TEMPLATES (CONT'D)

Flame-O-Rama by Craig Fraser
 FH-FOR-1SP Flame-Dango
 FH-FOR-2SP Ol' School
 FH-FOR-3SP Slash
 FH-FOR-4SP Funkadelik
 FH-FOR-5SP All Four
 FH-FOR-5SP-MS Mini Series

Flame-O-Rama 2 by Craig Fraser
 FH-FOR-6 Van Flamin
 FH-FOR-7 Classico
 FH-FOR-8 Firebalz
 FH-FOR-9 Flamgasm
 FH-FOR-10 Gothika
 FH-FOR-11 Spot
 FH-FOR-12 All Six
 FH-FOR-12 MS Mini Series

FX II by Craig Fraser
 FX-II 8 Puzzled
 FX-II 9 Nut N' Boltz
 FX-II 10 Gear Head
 FX-II 11 Dolla' Bill
 FX-II 12 Dragon Skin
 FX-II 13 The Blob
 FX-II 14 All Six
 FX-II 14-MS Mini Series

FX 3 by Craig Fraser
 FH-FX3-15 Glyphs
 FH-FX3-16 Unchained
 FH-FX3-17 The Web
 FH-FX3-18 Blades
 FH-FX3-19 Musika
 FH-FX3-20 Barby
 FH-FX3-21 All Six
 FH-FX3-21-MS Mini Series

FX 4 by Craig Fraser
 FH-FX4-22 Wrenched
 FH-FX4-23 Frons
 FH-FX4-24 SRAEG
 FH-FX4-25 Classic Camo
 FH-FX4-26 Digital Camo
 FH-FX4-27 Gator
 FH-FX4-28 All Six
 FH-FX4-28MS Mini Series

Horror of Skull Master by Craig Fraser
 FH-SK21 SP Heads Up
 FH-SK22 SP Scream
 FH-SK23 SP Profile
 FH-SK24 SP All Three
 FH-SK24 SP-MS Mini Series

Hot Headz by Mike Lavalie
 FH-HH1 Smokin' Joes
 FH-HH2 Hell Riders

The "H" Stencil by Craig Fraser
 FH-HS1 The "H" Stencil

Intro Series by Robert Paschal
 FH-IS1 Intro Series

Island FX Nano Series by Dennis Mathewson
 FH-NS-4 Island FX Nano Series Set

Kanji Master by Dennis Mathewson
 FH-KM1 Dragon
 FH-KM2 Koi
 FH-KM3 Tsunami
 FH-KM4 Bamboo
 FH-KM5 Kanji Masks
 FH-KM6 Kanji Symbols
 FH-KM7 All Six
 FH-KM-MS Mini Series

Kanji Motto Nano Series by Dennis Mathewson
 FH-NS-5 Kanji Motto Nano Series Set

Kustom FX by Craig Fraser
 FH-KFX-1SP Tiki Madness
 FH-KFX-2SP Bullet-Ridden
 FH-KFX-3SP Cheetah Pimp
 FH-KFX-4SP Diamond Plate
 FH-KFX-5SP Cloud-9
 FH-KFX-6SP Brainiac
 FH-KFX-7SP All Six
 FH-KFX-7SP-MS Mini Series

ARTOOL FREEHAND AIRBRUSH TEMPLATES (CONT'D)

Kustom Kulture by Craig Fraser
 FH-KKFX-15 Flyballz
 FH-KKFX-16 Piston's & Plugs
 FH-KKFX-17 Lucky 7
 FH-KKFX-18 Aces N' Eights
 FH-KKFX-19 Sacred Heart
 FH-KKFX-20 Martini Time
 FH-KKFX-21 All Six
 FH-KKFX-21-MS Mini Series

Metropolis by Yvonne Mecialis
 FH-MET-1 Metropolis

Master Series by Radu Vero
 FH-RV-SP Master Series

Match Makers by Michael Cacy
 FH-11 Match Makers

Patriotica by Craig Fraser
 PTR-1SP Red
 PTR-2SP White
 PTR-3SP And Blue
 PTR-4SP Eagle One
 PTR-5SP All Four
 PTR-5SP-MS Mini Series

Pin-Up Shield by Edward Reed
 FH-10 Pin-Up Shield

Pin-Up Girlies by Deborah Mahan
 FH-PUG Pin Up Girlies Set
 FH-PUG-MS Mini Series

Pin-Up Girlies II by Deborah Mahan
 FH-PUG II Pin Up Girlies II Set
 FH-PUG II-MS Mini Series

Piracy by Craig Fraser
 FH-PRY-1 Tell No Tales
 FH-PRY-2 Jolly Rodger
 FH-PRY-3 O' Cursed
 FH-PRY-4 Tortuga
 FH-PRY-5 Flying Dutchman
 FH-PRY-6 Pieces of Eight
 FH-PRY-7 All Six
 FH-PRY-7 MS Mini Series

Pirate Girlies by Deborah Mahan
 FH-PG-1 Pirate Girlies Set
 FH-PG1-MS Mini Series

The Return of Skull Master by Craig Fraser
 FH-SK16 Frontal II
 FH-SK17 Multiple II
 FH-SK18 Screamin' II
 FH-SK19 Lucky 13
 FH-SK20 All Four
 FH-SK20-MS Mini Series

Sailor Girlies by Deborah Mahan
 FH-SG1 Sailor Girlies Set
 FH-SG-MS Mini Series

Skull Master by Craig Fraser
 FH-SK1 SP The Multiple
 FH-SK2 SP The Frontal
 FH-SK3 SP The Screaming
 FH-SK4 SP All Three
 FH-SK4 SP-MS Mini Series

Skullophenia Nano Series by Craig Fraser
 FH-NS-1 Skullophenia Nano Series Set

Son of Skull Master by Craig Fraser
 FH-SK5 Nite & Day
 FH-SK6 Devil or Angel
 FH-SK7 Bonz
 FH-SK8 Menagerie
 FH-SK9 All Four
 FH-SK9MS Mini Series

ARTOOL FREEHAND AIRBRUSH TEMPLATES (CONT'D)

Spider Master by Craig Fraser
 FH-SM-1 Spiderz
 FH-SM-2 Arachnophobia
 FH-SM-3 Widow-Maker
 FH-SM-4 All Three
 FH-SM4-MS Mini Series

Splatter FX by Gerald Mendez
 FH-SFX-1 Splatter FX

Steampunk FX by Craig Fraser
 FH-SPFX-1 Junk
 FH-SPFX-2 Mechanix
 FH-SPFX-3 Gauges
 FH-SPFX-4 Switches
 FH-SPFX-5 Klockworx
 FH-SPFX-6 Gear Drives
 FH-SPFX-7 All Six
 FH-SPFX-7-MS Mini Series

Texture FX by Gerald Mendez
 FH-TFX1 Texture FX Set
 FH-TFX1-MS Mini Series

Tiki Master by Dennis Mathewson
 FH-TM-1 Tribal Tiki
 FH-TM-2 Kona Tiki
 FH-TM-3 Tiki Trouble
 FH-TM-4 Tiki Bar
 FH-TM-5 Totem Tiki
 FH-TM-6 Aloha Spirit
 FH-TM-7 All Six
 FH-TM-7-MS Mini Series

Tiki Master II by Dennis Mathewson
 FH-TM-8 Tropic Tribals
 FH-TM-9 Hula Spirit
 FH-TM-10 Two Face Tiki
 FH-TM-11 Tiki Joe
 FH-TM-12 Freakin' Tikis
 FH-TM-13 Leilani
 FH-TM-14 All Six
 FH-TM-14-MS Mini Series

Tikiville Nano Series by Dennis Mathewson
 FH-NS-6 Tikiville Nano Series Set

Tribal Master by Steve Vandemon
 FH-TRM1 Tribal Master Set

Tribal Masters II by Steve Vandemon
 FH-TRM2 Tribal Masters II Set

True Fire by Mike Lavalie
 FH-TF1 True Fire Set
 FH-TF1-MS Mini Series
 FH-NS-3 Nano Series

True Fire 2 Second Degree Burn by Mike Lavalie
 FH-TF2 True Fire 2 Second Degree Burn Set

Viking FX by Craig Fraser
 FH-VKFX-1 Runes
 FH-VKFX-2 Vahalla
 FH-VKFX-3 Berzerker
 FH-VKFX-4 Draugar
 FH-VKFX-5 All Four
 FH-VKFX-5-MS Mini Series

The Wave Maker by Mark "The Shark" Rush
 FH-8 The Wave Maker

Wired Long Lines Series by Dean Loucks
 FH-LL1 Wired Long Lines Series Set

Wood Grain FX by Dennis Mathewson
 FH-WGFX-1 Wood Grain FX

The Wrath of Skull Master by Craig Fraser
 FH-SK26 Mr. Potato Bonz
 FH-SK27 Mr. Potato Bonz Stuph #1
 FH-SK28 Mr. Potato Bonz Stuph #2
 FH-SK29 Burial Ground
 FH-SK30 Kalaveras
 FH-SK31 Bonz III
 FH-SK32 All Six
 FH-SK32MS Mini Series

Super
NOVA™

WS-400

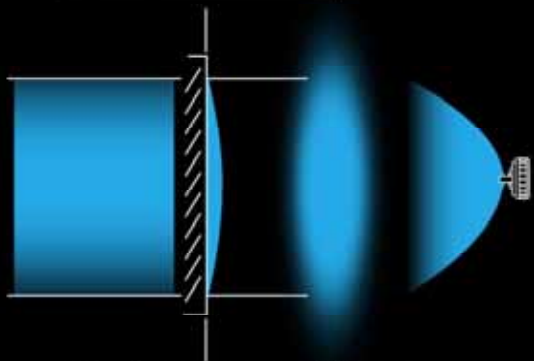


- **LONGER WIDER PATTERN**
- **SMOOTH FAST APPLICATION**
- **EPA NESHAP 40 CFR, PART 63
SUBPART 6H COMPLIANT**
- **NOW COMPLIANT IN THE USA!**

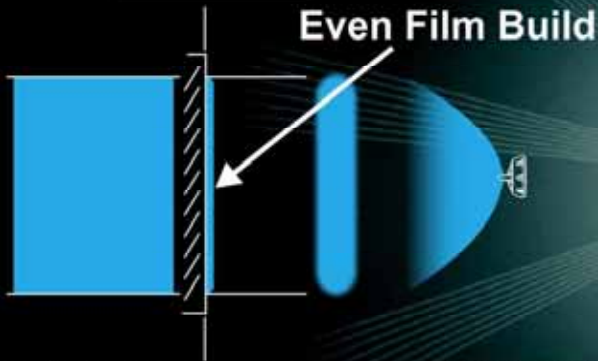
**ANEST
IWATA**

ANEST IWATA USA, Inc.

COMPETITION



WS400 HD



Our latest version of the Supernova the WS400 complies with EPA NESHAP 40 CFR, Part 63 Subpart HHHHHH. The WS400 is the compliant EVO-lution of the Supernova series guns.

The new WS400 with our patented "LV Technology" nozzle design combines a higher fluid delivery that facilitates a faster smoother application. The result of the WS400 is a higher transfer efficiency rate resulting in greater material savings.

Superior Atomization + Higher Transfer Efficiency = Compliance for the professional.

A higher level of finishing... and savings!

Available Cups with Kits



PCG600P-2
600ml #6039



PCG7D-2
700ml #6032D



PCG10D-2
1000ml #6038D

Optional Cups



PCG4D-2
400ml #6031D



PCG2D-2
150ml #6030D



PCG1D-1
#6050
3oz Alum.
EPA Comp.
Adapter #6051

Model	Gun Only	PCG600P-2 600ml Plastic #6039	PCG7D-2 700ml Alum #6032D	PCG10D-2 1000ml Alum #6038D	Air Cap #	Nozzle mm (inch)	Atomizing PSI	CFM	Fluid ml/min	Pattern mm (inch)	Weight g (lbs)
WS400-1201 HD	5900	5901	5902	5903	WS-400-01	1.2 (0.047)	29	12.57	200	365 (14.38)	423 (0.93)
WS400-OBS	5920	5921	5922	5923		1.3 (0.051)	29	12.57	160	365 (14.38)	423 (0.93)
WS400-1301 HD	5905	5906	5907	5908		1.3 (0.051)	29	12.57	220	365 (14.38)	423 (0.93)
WS400-1401 HD	5910	5911	5912	5913		1.4 (0.055)	29	12.57	240	370 (14.57)	423 (0.93)
WS400-1501 HD	5915	5916	5917	5918		1.5 (0.059)	29	12.57	260	370 (14.57)	423 (0.93)

All Supernova Guns Air Inlet 1/4" Fluid Inlet 1/4" Female

NEW!

Impact

AZ3 HVLP-S

Optional Cups

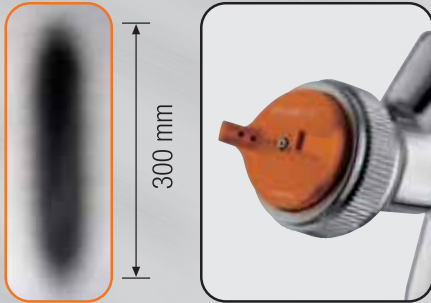
PCG4D-2-#6031D
400ml Aluminum Cup



PCG7D-2-#6032D
700ml Aluminum Cup



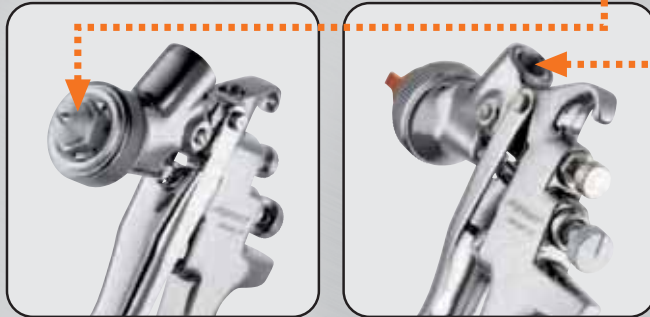
PCG10D-2-#6038D
1000ml Aluminum Cup



NEW HTE-S high performance spray technology

Homogeneous and fine atomization with all modern WB and HS coatings.

Parts in contact with fluid in stainless steel



Responsive trigger action

High quality chrome plated body

Model	Nozzle mm (inch)	Air Cap	Part Number	Inlet Pressure PSI	Air Consumption CFM	Pattern Width mm (inches)	Paint Output ml/min
AZ3 HVLP-S 13	1.3 (0.051)	HTE-S HVLP 1	9270	28	10.83	280 (11.02)	144
AZ3 HVLP-S 14	1.4 (0.055)	HTE-S HVLP 1	9274	28	10.83	300 (11.81)	159
AZ3 HVLP-S 15	1.5 (0.059)	HTE-S HVLP 1	9271	28	10.83	320 (12.60)	174
AZ3 HVLP-S 16	1.6 (0.063)	HTE-S HVLP 2	9275	32	13.02	260 (10.23)	176
AZ3 HVLP-S 18	1.8 (0.063)	HTE-S HVLP 2	9272	32	13.02	280 (11.02)	198
AZ3 HVLP-S 20	2.0 (0.079)	HTE-S HVLP 2	9273	32	13.02	300 (11.81)	222
HTE-S HVLP 1 Air Cap Test Gauge Part #9284			HTE-S HVLP 2 Air Cap Test Gauge Part #9285				
Standard Replacement Cup # 9131			Optional Air Control Valve # 8130B				

The NEW AirGuns guns from ANEST IWATA have been redesigned for performance. These low cost affordable guns include a ergonomic lighter body with a softer trigger pull to reduce fatigue. The new polished surface allows for easier cleanup.



AZ3HTE2

AZ3HV2

An affordable center post gravity HVLP spray gun.

Model	Nozzle Size	Pattern Width (in.)	PSI	CFM	Gun & Cup #	Usage
AZ3HV2-13GC	1.3	11.0	30	12.0	9230	Sealer
AZ3HV2-15GC	1.5	11.5	30	12.0	9231	Sealer
AZ3HV2-18GC	1.8	13.5	30	12.0	9232	Primer
AZ3HV2-20GC	2.0	14.0	30	12.0	9233	HS Primer
AZ3HV2		Air Cap Test Gauge	Air Cap #All HVLP Models	Part #9245		
Standard Replacement Cup # 9131		Optional Air Control Valve # 8018				



AZ3HV2

AZ3HTE2

An affordable center post gravity air spray gun. The AZ3HTE2 may be used for spray polyester filler and other heavy bodied materials.

Model	Nozzle Size	Pattern Width (in.)	PSI	CFM	Gun & Cup #	Usage
AZ3HTE2-13GC	1.3	9.5	29	7.0	9234	Sealer
AZ3HTE2-15GC	1.5	10.0	29	7.0	9235	Sealer
AZ3HTE2-18GC	1.8	12.0	29	7.5	9236	Primer
AZ3HTE2-20GC	2.0	13.5	29	7.5	9237	Spray Filler
AZ3HTE2-30GC	3.0	16.0	44	10.5	9238	Spray Filler
AZ3HTE2-35GC	3.5	16.5	44	10.5	9239	Spray Filler
Standard Replacement Cup # 9131		Optional Air Control Valve # 8018				



8130B

Optional AK-1B2 Air Flow Control Valve

Optional Cups

Aluminum cups available



PCG4D-2 #6031D
400ml Aluminum Cup



PCG7D-2 #6032D
700ml Aluminum Cup



AZ PVA

AZ PVA

An affordable siphon fed spray gun with 1000ml cup. Ideal for sprayable bedliners.

Model	PSI	CFM	GUN & CUP	USAGE
AZ PVA	86	11.3	9200	Bedliner



**ANEST
IWATA**

Product & Parts Catalog

Manual Spray Guns / Cups & Containers



Product & Parts Catalog
Manual Spray Guns
Cups & Containers

Index

	Page
Spray Guns	
LS400 / LS400H (HYBRID).....	2
LPH400LV / LVB / LVX	4
LPH440 Primer Gun	6
LPH300LV	8
LPH200P/LVP Pressure Feed	10
LPH2003 Pressure Feed	10
LPH101LVG Gravity Feed	12
LPH101LVS Siphon Feed	12
LPH101P/LVP Pressure Feed	14
LPH80 Mini Gravity Feed	16
LPH50 Mini Gravity Feed	18
WS400 / WS400HD	20
W400	22
W400LV Compliant	24
W300	26
W200 Siphon Feed	28
W200 Gravity Feed	28
W200 Pressure Feed	30
W2003 Pressure Feed	30
W200ZP Ceramic Spray Gun	30
W101 Gravity Feed	32
W101 Siphon Feed	32
W101 Pressure Feed	34
W101A Agitator Gun	36
RG3L Round Pattern Spray Gun	38
Cups and Containers	
PC18D Pressure Pot	40
PET10 2 Gallon Pressure Tank	42
PCG7/10/4/2 Center Post Gravity Cup	44
PCG6P Plastic Cup.....	44
PC4/4S/5/51/61 Side Gravity Cup	44
PCL7B/10B Siphon Cup.....	44
PC19B Pressurized Container	44

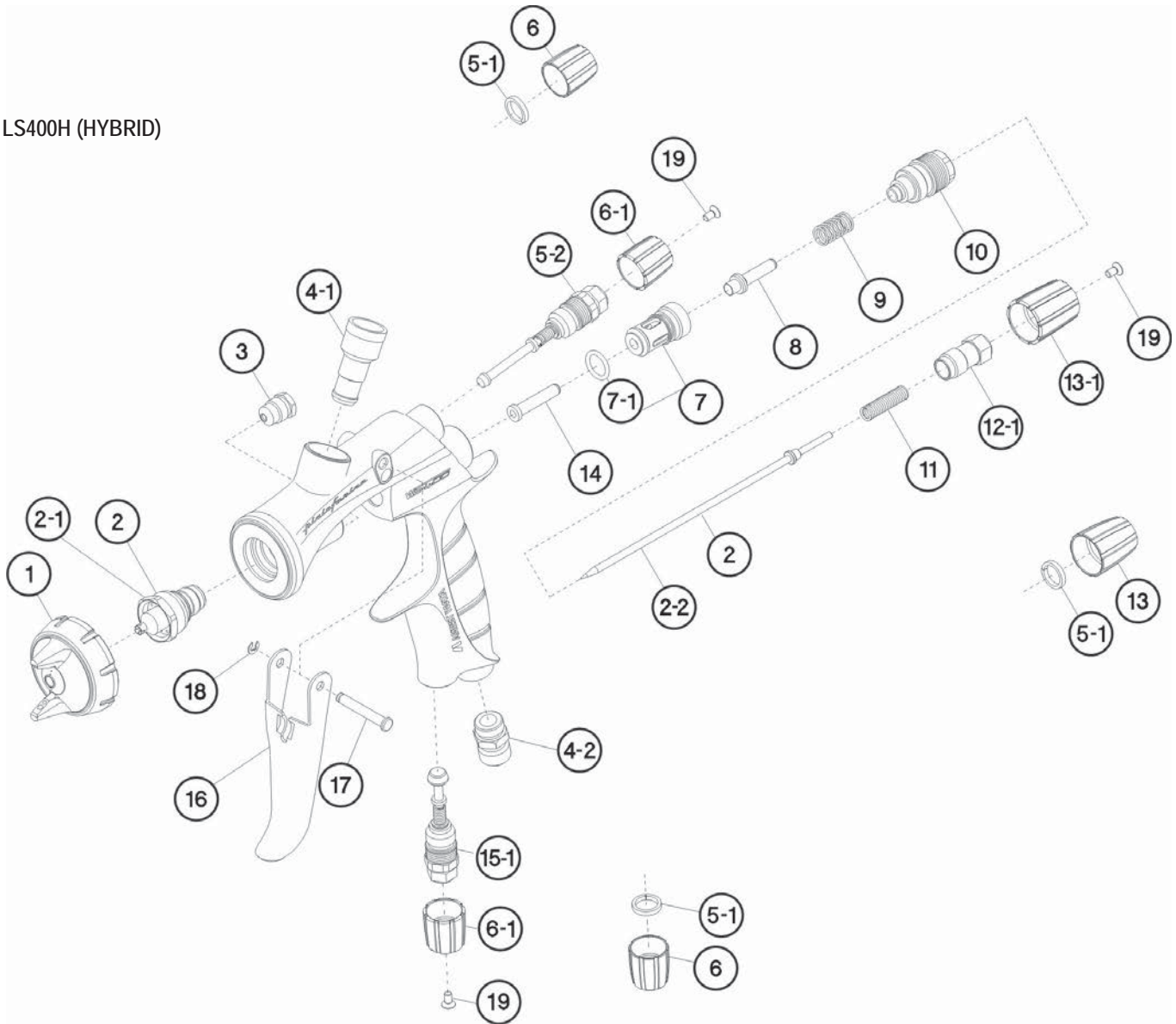


Manual Spray Guns

**SUPERNOVA
LS400
LS400H (HYBRID)**

Ref #	Part #	Description	Remarks
1	93512300	AIR CAP ASSY LS-400-01	LS400 BASECOAT
1	93512320	AIR CAP ASSY LS-400-02	LS400 CLEARCOAT
1	93512960	AIR CAP ASSY LS-400-03	BASECOAT (LS400 HYBRID)
1	93512700	AIR CAP ASSY LS-400-04	CLEARCOAT (LS400 HYBRID)
2	93512820	NOZZLE/NEEDLE ASSY 1.2	LS400
2	93512340	NOZZLE/NEEDLE ASSY 1.3	LS400
2	93512360	NOZZLE/NEEDLE ASSY 1.4	LS400
2	93512840	NOZZLE/NEEDLE ASSY 1.5	LS400
2	93512860	NOZZLE/NEEDLE ASSY 1.1H	LS400 HYBRID
2	93512880	NOZZLE/NEEDLE ASSY 1.2H	LS400 HYBRID
2	93512900	NOZZLE/NEEDLE ASSY 1.3H	LS400 HYBRID
2	93512910	NOZZLE/NEEDLE ASSY 1.4H	LS400 HYBRID
2	93512920	NOZZLE/NEEDLE ASSY 1.5H	LS400 HYBRID
2-1	93512830	FLUID NOZZLE 1.2	LS400
2-1	93512350	FLUID NOZZLE 1.3	LS400
2-1	93512370	FLUID NOZZLE 1.4	LS400
2-1	93512850	FLUID NOZZLE 1.5	LS400
2-1	93512870	FLUID NOZZLE 1.1H	LS400 HYBRID
2-1	93512890	FLUID NOZZLE 1.2H	LS400 HYBRID
2-1	93512930	FLUID NOZZLE 1.3H	LS400 HYBRID
2-1	93512940	FLUID NOZZLE 1.4H	LS400 HYBRID
2-1	93512950	FLUID NOZZLE 1.5H	LS400 HYBRID
2-2	93829600	FLUID NEEDLE	1.1H, 1.2H
2-2	93830600	FLUID NEEDLE	1.3, 1.4, 1.3H, 1.4H, 1.5H
3	93765610	CARTRIDGE PACKING ASSY	
4-1	93505421	FLUID NIPPLE	
4-2	93660300	AIR NIPPLE	
	93505430	PATTERN ADJUST ASSY	
5-2	93505432	PATTERN ADJUST ASSY (NEW)	
5-1	93505460	ADJUST RING	
6	93505470	ADJUST KNOB	
6-1	93505471	ADJUST KNOB (NEW)	
7	93843530	AIR VALVE SEAT ASSY	
7-1	96638008	O RING	
8	93505480	AIR VALVE	
9	93719530	AIR VALVE SPRING	
10	93505490	FLUID ADJUST GUIDE ASSY	
11	93593530	FLUID NEEDLE SPRING	
	93505810	FLUID ADJUST SCREW ASSY	
12-1	93505822	FLUID ADJUST SCREW ASSY (NEW)	
13	93505830	FLUID ADJUST KNOB	
13-1	93505831	FLUID ADJUST KNOB (NEW)	
14	93595530	AIR VALVE SHAFT	
	93505840	AIR ADJUST ASSY	
15-1	93505842	AIR ADJUST ASSY (NEW)	
16	93505850	TRIGGER	
17	93505860	TRIGGER STUD	
18	96612025	E STOPPER	
19	93506970	STAR FLAT HEAD BOLT	
	93505341	L GASKET (BLACK)	FOR AIR CAP SET
	93505330	AIR CAP GASKET (WHITE)	
	5652	REPAIR SERVICE KIT	3, 5-1, 7, 9, 11, 17, 18

LS400 / LS400H (HYBRID)



Ref #	Part #	Description	Remarks
	2993	TEST CAP GAUGE SET "LS400-01"	GOLD
	2994	TEST CAP GAUGE SET "LS400-02"	PLATINUM
	2976	TEST CAP GAUGE SET "LS400-03"	GOLD (HYBRID)
	2977	TEST CAP GAUGE SET "LS400-04"	PLATINUM (HYBRID)



Manual Spray Guns

LPH400LV / LVB / LVX

Ref #	Part #	Description	Remarks
1	93874601	AIR CAP SET "LPH400-LV4"	LPH400-LV, SILVER RING
1	93524650	AIR CAP SET "LPH400-LVB"	LPH400-LVB, PURPLE RING
1	93548700	AIR CAP SET "LPH400-LVX"	LPH400-LVX, ORANGE RING
2	93880600	NOZZLE/NEEDLE SET 1.2LV	LPH400LV
2	93897600	NOZZLE/NEEDLE SET 1.3LV	LPH400LV / LVB / LVX
2	93873600	NOZZLE/NEEDLE SET 1.4LV	LPH400LV / LVB / LVX
2	93516650	NOZZLE/NEEDLE SET 1.5LV	LPH400LV / LVB / LVX
2	93882600	NOZZLE/NEEDLE SET 1.6LV	LPH400LV
2	93884600	NOZZLE/NEEDLE SET 1.8LV	LPH400LV
2-1	93552600	FLUID NOZZLE 1.2LV	MARKED AS 400LV/12
2-1	93896600	FLUID NOZZLE 1.3LV	MARKED AS 400LV/13
2-1	93547600	FLUID NOZZLE 1.4LV	MARKED AS 400LV/14
2-1	93515650	FLUID NOZZLE 1.5LV	MARKED AS 400LV/15
2-1	93553600	FLUID NOZZLE 1.6LV	MARKED AS 400LV/16
2-1	93554600	FLUID NOZZLE 1.8LV	MARKED AS 400LV/18
2-2	93829600	FLUID NEEDLE 1.2	MARKED AS 40012
2-2	93830600	FLUID NEEDLE 1.3/1.4/1.5/1.6	MARKED AS 20015
2-2	93831600	FLUID NEEDLE 1.8	MARKED AS 20020
3	N/A	GUN BODY	
3-1	93660300	AIR NIPPLE	1/4"
3-2	93650531	FLUID NIPPLE	M16X1.5
4	93842601	PATTERN ADJUST SET	
5	93843530	AIR VALVE SEAT SET	
5-1	96638008	O RING	
6	93591530	AIR VALVE	
7	93719530	AIR VALVE SPRING	
8	93844531	FLUID ADJUST GUIDE SET	
9	93593530	FLUID NEEDLE SPRING	
10	93594532	FLUID ADJUST KNOB	
11	93595530	AIR VALVE SHAFT	
12	93845531	AIR ADJUST SET	
13	93667360	TRIGGER STUD	
14	93517600	TRIGGER	
15	93912030	STOPPER	2PCS/PACK
16	93765610	CARTRIDGE PACKING	
17	93515500	FILTER	60MESH
	93512600	L GASKET (BLACK)	FOR AIR CAP SET
	93708240	AIR CAP GASKET (WHITE)	
	93538600	GUN WRENCH	
	5650	REPAIR SERVICE KIT	5-1, 7, 9, 13, 15, 16
	2950	MK5 MAINTENANCE KIT	
	2995	TEST CAP GAUGE SET "LPH400-LV4"	LPH400-LV
	2996	TEST CAP GAUGE SET "LPH400-LVB"	LPH400-LVB
	2998	TEST CAP GAUGE SET "LPH400-LVX"	LPH400-LVX



**LPH440
Primer Gun**

Ref #	Part #	Description	Remarks
1	93638601	AIR CAP SET "LPH440"	
2	93643601	NOZZLE/NEEDLE SET 1.4	
2	93645601	NOZZLE/NEEDLE SET 1.6	
2	93641601	NOZZLE/NEEDLE SET 1.8	
2	93647601	NOZZLE/NEEDLE SET 2.0	
2	93649601	NOZZLE/NEEDLE SET 2.5	
2-1	93642601	FLUID NOZZLE 1.4	MARKED AS 440L/14
2-1	93644601	FLUID NOZZLE 1.6	MARKED AS 440L/16
2-1	93640601	FLUID NOZZLE 1.8	MARKED AS 440L/18
2-1	93646601	FLUID NOZZLE 2.0	MARKED AS 440L/20
2-1	93648601	FLUID NOZZLE 2.5	MARKED AS 440L/25
2-2	93830600	FLUID NEEDLE 1.4/1.6	MARKED AS 20015
2-2	93831600	FLUID NEEDLE 1.8/2.0	MARKED AS 20020
2-2	93832600	FLUID NEEDLE 2.5	MARKED AS 20025
3	93765610	CARTRIDGE PACKING	
4	N/A	GUN BODY	
4-1	93660300	AIR NIPPLE	1/4"
4-2	93650531	FLUID NIPPLE	M16X1.5
5	93842601	PATTERN ADJUST SET	
6	93843530	AIR VALVE SEAT SET	
6-1	96638008	O RING	
7	93591530	AIR VALVE	
8	93719530	AIR VALVE SPRING	
9	93844531	FLUID ADJUST GUIDE SET	
10	93593530	FLUID NEEDLE SPRING	
11	93594532	FLUID ADJUST KNOB	
12	93595530	AIR VALVE SHAFT	
13	93667360	TRIGGER STUD	
14	93517600	TRIGGER	
15	93912030	STOPPER	2PCS/PACK
16	93515500	FILTER	60MESH
	93576530	L GASKET (BLACK)	FOR AIR CAP SET
	93608320	AIR CAP GASKET (WHITE)	
	93538600	GUN WRENCH	
	5650	REPAIR SERVICE KIT	3, 6-1, 8, 10, 13, 15
	2950	MK5 MAINTENANCE KIT	
	2997B	TEST CAP GAUGE SET "LPH440"	

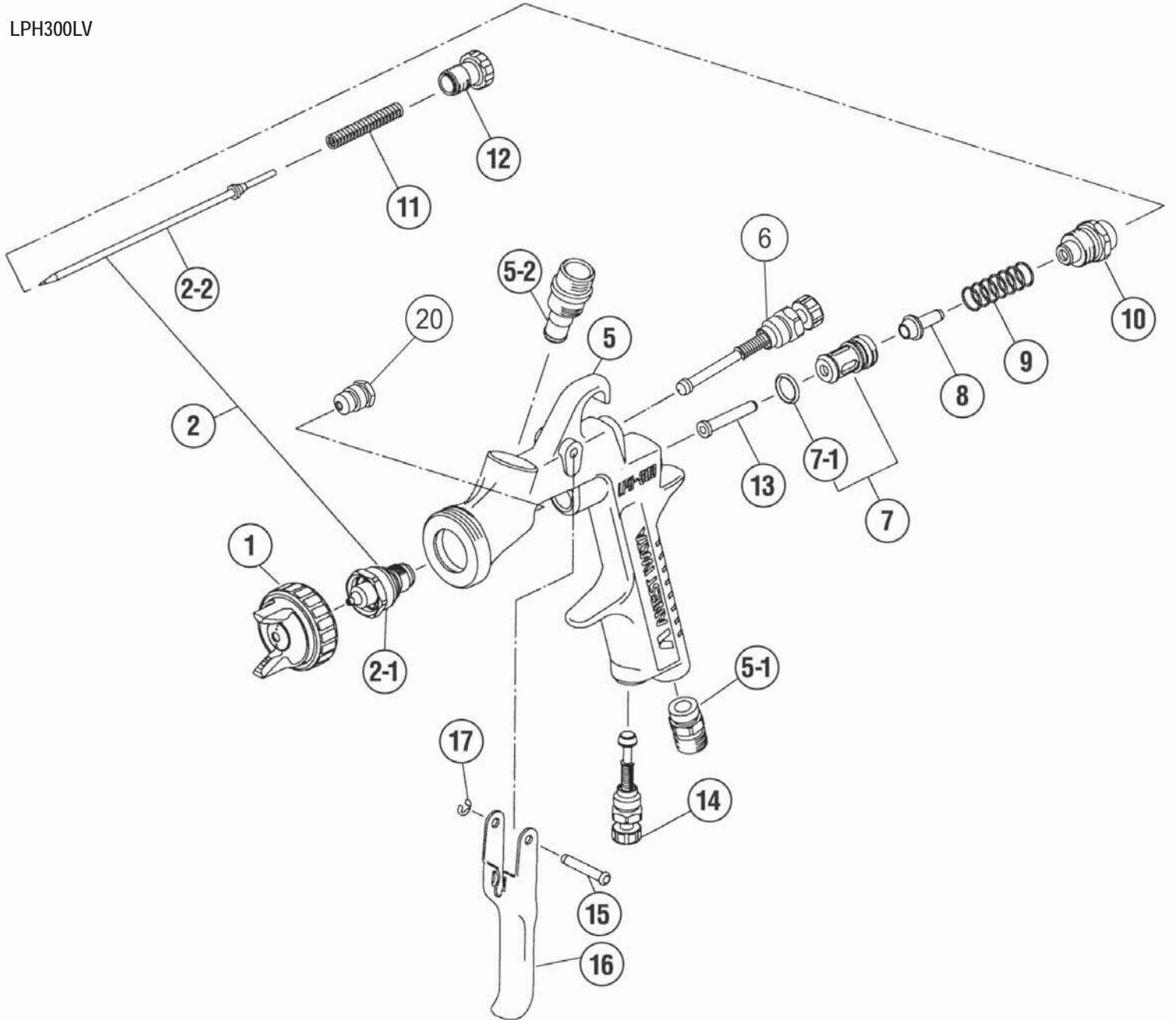


Manual Spray Guns

LPH300LV

Ref #	Part #	Description	Remarks
1	93875602	AIR CAP SET "LPH101-LV4"	
2	93867600	NOZZLE/NEEDLE SET 1.2LV	
2	93623600	NOZZLE/NEEDLE SET 1.3LV	
2	93862600	NOZZLE/NEEDLE SET 1.4LV	
2	93869600	NOZZLE/NEEDLE SET 1.6LV	
2	93871600	NOZZLE/NEEDLE SET 1.8LV	
2	93621600	NOZZLE/NEEDLE SET 2.0LV	
2-1	93544600	FLUID NOZZLE 1.2LV	MARKED AS 100LV/12
2-1	93624600	FLUID NOZZLE 1.3LV	MARKED AS 100LV/13
2-1	93542600	FLUID NOZZLE 1.4LV	MARKED AS 100LV/14
2-1	93545600	FLUID NOZZLE 1.6LV	MARKED AS 100LV/16
2-1	93546600	FLUID NOZZLE 1.8LV	MARKED AS 100LV/18
2-1	93622600	FLUID NOZZLE 2.0LV	MARKED AS 100LV/20
2-2	93537600	FLUID NEEDLE 1.2	MARKED AS 10008H
2-2	93578530	FLUID NEEDLE 1.3/1.4/1.6	MARKED AS 10013
2-2	93703530	FLUID NEEDLE 1.8/2.0	MARKED AS 10018
5	N/A	GUN BODY	
5-1	93660300	AIR NIPPLE	1/4"
5-2	93575620	FLUID NIPPLE	1/4"BSP FEMALE
6	93577620	PATTERN ADJUST SET	
7	93843530	AIR VALVE SEAT SET	
7-1	96638008	O RING	
8	93591530	AIR VALVE	
9	93719530	AIR VALVE SPRING	
10	93844531	FLUID ADJUST GUIDE SET	
11	93593530	FLUID NEEDLE SPRING	
12	93594532	FLUID ADJUST KNOB	
13	93595530	AIR VALVE SHAFT	
14	93845531	AIR ADJUST SET	
15	93667360	TRIGGER STUD	
16	93597530	TRIGGER	
17	93912030	STOPPER	2PCS/PACK
20	93765610	CARTRIDGE PACKING	
	93576530	L GASKET (BLACK)	FOR AIR CAP SET
	93608320	AIR CAP GASKET (WHITE)	
	93538600	GUN WRENCH	
	5650	REPAIR SERVICE KIT	7-1, 9, 11, 15, 17, 20
	2950	MK5 MAINTENANCE KIT	
	2985B	TEST CAP GAUGE SET "LPH100-LV4"	

LPH300LV



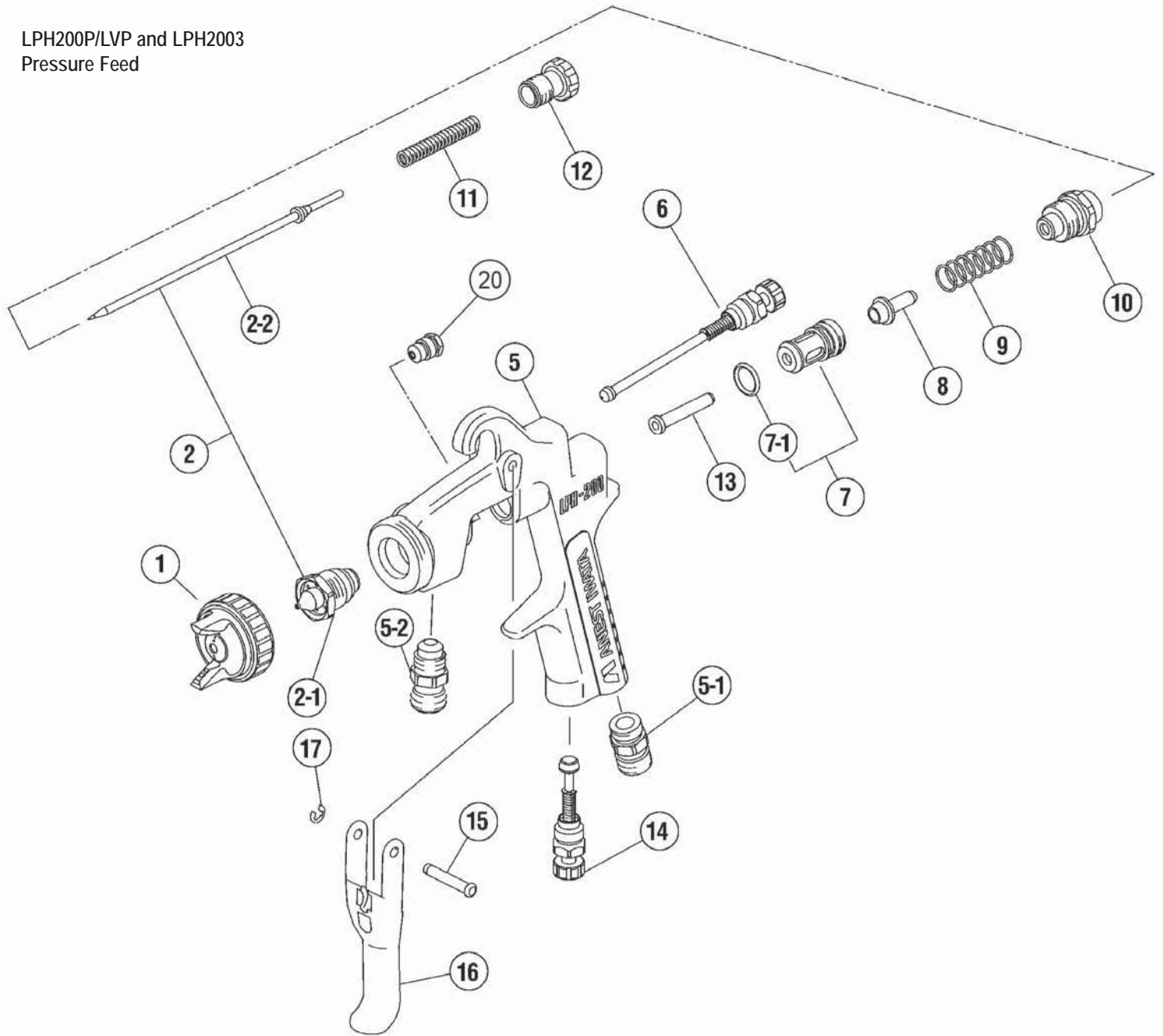


Manual Spray Guns

LPH200P/LVP and
LPH2003
Pressure Feed

Ref #	Part #	Description	Remarks
1	93822601	AIR CAP SET "LPH200-G2"	LPH200P/LPH2003
1	93587601	AIR CAP SET "LPH200-LV6"	LPH200LVP
2	93859600	NOZZLE/NEEDLE SET 1.0	LPH200P/LPH2003
2	93858600	NOZZLE/NEEDLE SET 1.2	LPH200P/LPH2003
2	93860600	NOZZLE/NEEDLE SET 1.4	LPH200P/LPH2003
2	93593600	NOZZLE/NEEDLE SET 0.8LV	LPH200LVP
2	93594600	NOZZLE/NEEDLE SET 1.0LV	LPH200LVP
2	93595600	NOZZLE/NEEDLE SET 1.2LV	LPH200LVP
2-1		FLUID NOZZLE	SUPPLIED AS SET
2-2		FLUID NEEDLE	SUPPLIED AS SET
5	N/A	GUN BODY	
5-1	93660300	AIR NIPPLE	1/4"
5-2	93515600	FLUID NIPPLE	3/8", LPH200P/LVP
5-2	93161710	FLUID NIPPLE (FEMALE)	LPH2003
5-3	93910710	GASKET (NOT SHOWN)	LPH2003, 2PCS/PACK
6	93840601	PATTERN ADJUST SET	LPH200P/LPH2003
6	93898600	PATTERN ADJUST SET	LPH200LVP
7	93843530	AIR VALVE SEAT SET	
7-1	96638008	O RING	
8	93591530	AIR VALVE	
9	93719530	AIR VALVE SPRING	
10	93844531	FLUID ADJUST GUIDE SET	
11	93593530	FLUID NEEDLE SPRING	
12	93594532	FLUID ADJUST KNOB	
13	93595530	AIR VALVE SHAFT	
14	93845531	AIR ADJUST SET	
15	93667360	TRIGGER STUD	
16	93517600	TRIGGER	
17	93912030	STOPPER	2PCS/PACK
20	93765610	CARTRIDGE PACKING	
	93512600	L GASKET (BLACK)	FOR AIR CAP SET
	93708240	AIR CAP GASKET (WHITE)	
	93538600	GUN WRENCH	
	5650	REPAIR SERVICE KIT	7-1, 9, 11, 15, 17, 20
	2950	MK5 MAINTENANCE KIT	
	6035	PC19B CONTAINER	FOR LPH2003
	2991	TEST CAP GAUGE SET "LPH200-G2"	LPH200P/LPH2003
	2992	TEST CAP GAUGE SET "LPH200-LV6"	LPH200LVP

LPH200P/LVP and LPH2003
Pressure Feed





Manual Spray Guns

LPH101LVG/LVS
Gravity and Siphon
Feed

Ref #	Part #	Description	Remarks
1	93875602	AIR CAP SET "LPH101-LV4"	
2	93867600	NOZZLE/NEEDLE SET 1.2LV	LPH100LVG
2	93862600	NOZZLE/NEEDLE SET 1.4LV	LPH100LVG/LVS
2	93869600	NOZZLE/NEEDLE SET 1.6LV	LPH100LVG/LVS
2	93871600	NOZZLE/NEEDLE SET 1.8LV	LPH100LVG
2-1	93544600	FLUID NOZZLE 1.2LV	MARKED AS 100LV/12
2-1	93542600	FLUID NOZZLE 1.4LV	MARKED AS 100LV/14
2-1	93545600	FLUID NOZZLE 1.6LV	MARKED AS 100LV/16
2-1	93546600	FLUID NOZZLE 1.8LV	MARKED AS 100LV/18
2-2	93537600	FLUID NEEDLE 1.2	MARKED AS 10008H
2-2	93578530	FLUID NEEDLE 1.4/1.5/1.6	MARKED AS 10013
2-2	93703530	FLUID NEEDLE 1.8	MARKED AS 10018
5	N/A	GUN BODY	
5-1	93660300	AIR NIPPLE	1/4"
5-2	93584530	FLUID NIPPLE	1/4"
6	93842531	PATTERN ADJUST SET	
7	93843530	AIR VALVE SEAT SET	
7-1	96638008	O RING	
8	93591530	AIR VALVE	
9	93719530	AIR VALVE SPRING	
10	93844531	FLUID ADJUST GUIDE SET	
11	93593530	FLUID NEEDLE SPRING	
12	93594532	FLUID ADJUST KNOB	
13	93595530	AIR VALVE SHAFT	
14	93845531	AIR ADJUST SET	
15	93667360	TRIGGER STUD	
16	93597530	TRIGGER	
17	93912030	STOPPER	2PCS/PACK
20	93765610	CARTRIDGE PACKING	
	93576530	L GASKET (BLACK)	FOR AIR CAP SET
	93608320	AIR CAP GASKET (WHITE)	
	93538600	GUN WRENCH	
	5650	REPAIR SERVICE KIT	7-1, 9, 11, 15, 17, 20
	2950	MK5 MAINTENANCE KIT	
	2985B	TEST CAP GAUGE SET "LPH101-LV4"	

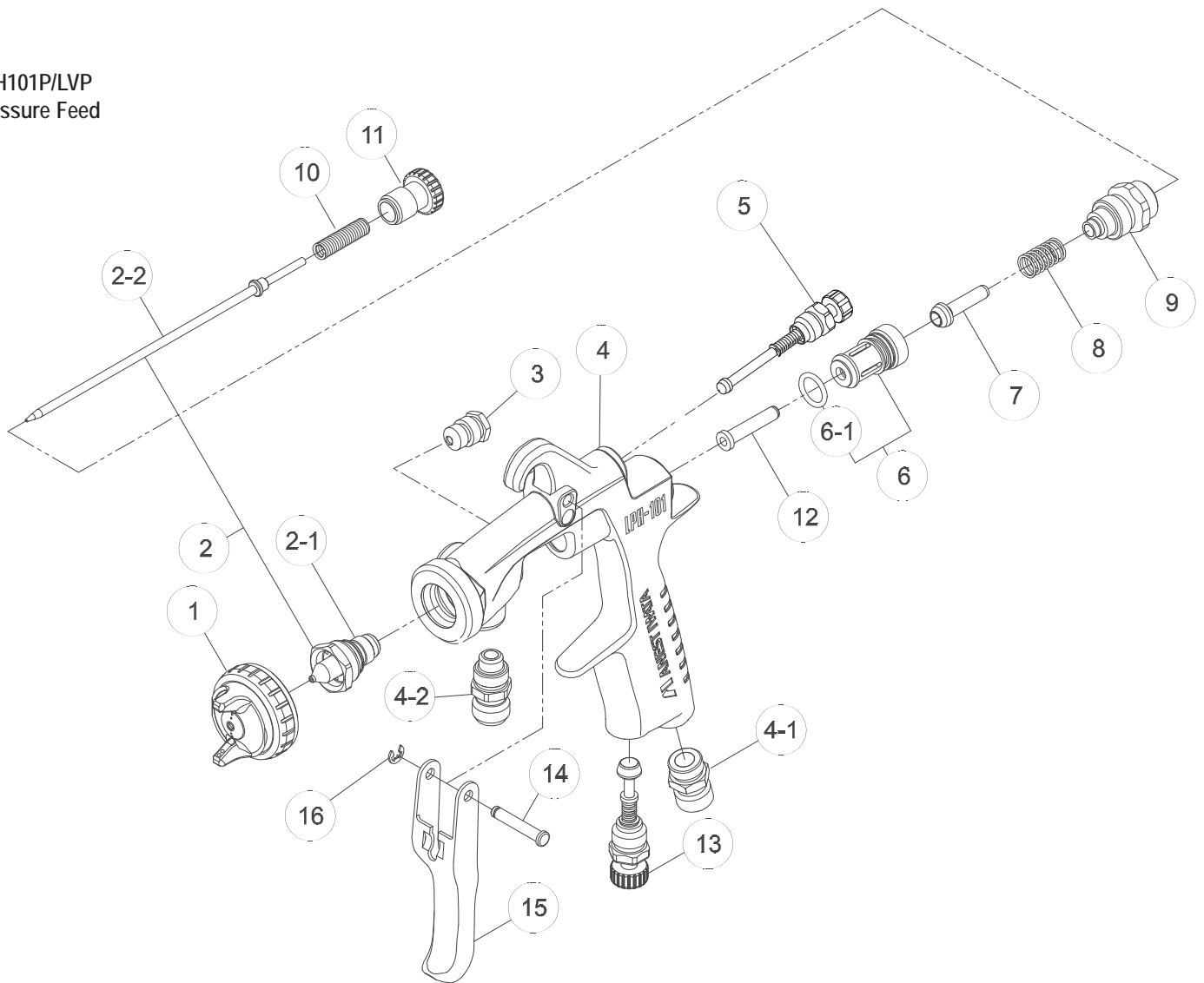


Manual Spray Guns

LPH101P/LVP
Pressure Feed

Ref #	Part #	Description	Remarks
1	93832532	AIR CAP SET "LPH101-E1"	081P/101P/131P/151P
1	93811602	AIR CAP SET "LPH101-G2"	122P
1	93500651	AIR CAP SET "LPH101-LV6"	082LVP/102LVP
2	93855600	NOZZLE/NEEDLE SET 0.8	LPH101P
2	93856600	NOZZLE/NEEDLE SET 1.0	LPH101P
2	93857600	NOZZLE/NEEDLE SET 1.2	LPH101P
2	93833530	NOZZLE/NEEDLE SET 1.3	LPH101P
2	93802600	NOZZLE/NEEDLE SET 1.5	LPH101P
2	93512650	NOZZLE/NEEDLE SET 0.8	LPH101LVP
2	93502650	NOZZLE/NEEDLE SET 1.0	LPH101LVP
2-1		FLUID NOZZLE	SUPPLIED AS SET
2-2		FLUID NEEDLE	SUPPLIED AS SET
3	93765610	CARTRIDGE PACKING	
4	N/A	GUN BODY	
4-1	93660300	AIR INLET	1/4"
4-2	93515600	FLUID NIPPLE	3/8"
4-2	93584530	FLUID NIPPLE	1/4" (OPTION)
5	93842531	PATTERN ADJUST SET	
6	93843530	AIR VALVE SEAT SET	
6-1	96638008	O RING	
7	93591530	AIR VALVE	
8	93719530	AIR VALVE SPRING	
9	93844531	FLUID ADJUST GUIDE SET	
10	93593530	FLUID NEEDLE SPRING	
11	93594532	FLUID ADJUST KNOB	
12	93595530	AIR VALVE SHAFT	
13	93845531	AIR ADJUST SET	
14	93667360	TRIGGER STUD	
15	93597530	TRIGGER	
16	93912030	STOPPER	2PCS/PACK
	93576530	L GASKET (BLACK)	FOR AIR CAP SET
	93608320	AIR CAP GASKET (WHITE)	
	93538600	GUN WRENCH	
	5650	REPAIR SERVICE KIT	3, 6-1, 8, 10, 14, 16
	2950	MK5 MAINTENANCE KIT	
	2987B	TEST CAP GAUGE SET "LPH101-E1"	081P/101P/131P/151P
	2986B	TEST CAP GAUGE SET "LPH101-G2"	122P

LPH101P/LVP
Pressure Feed



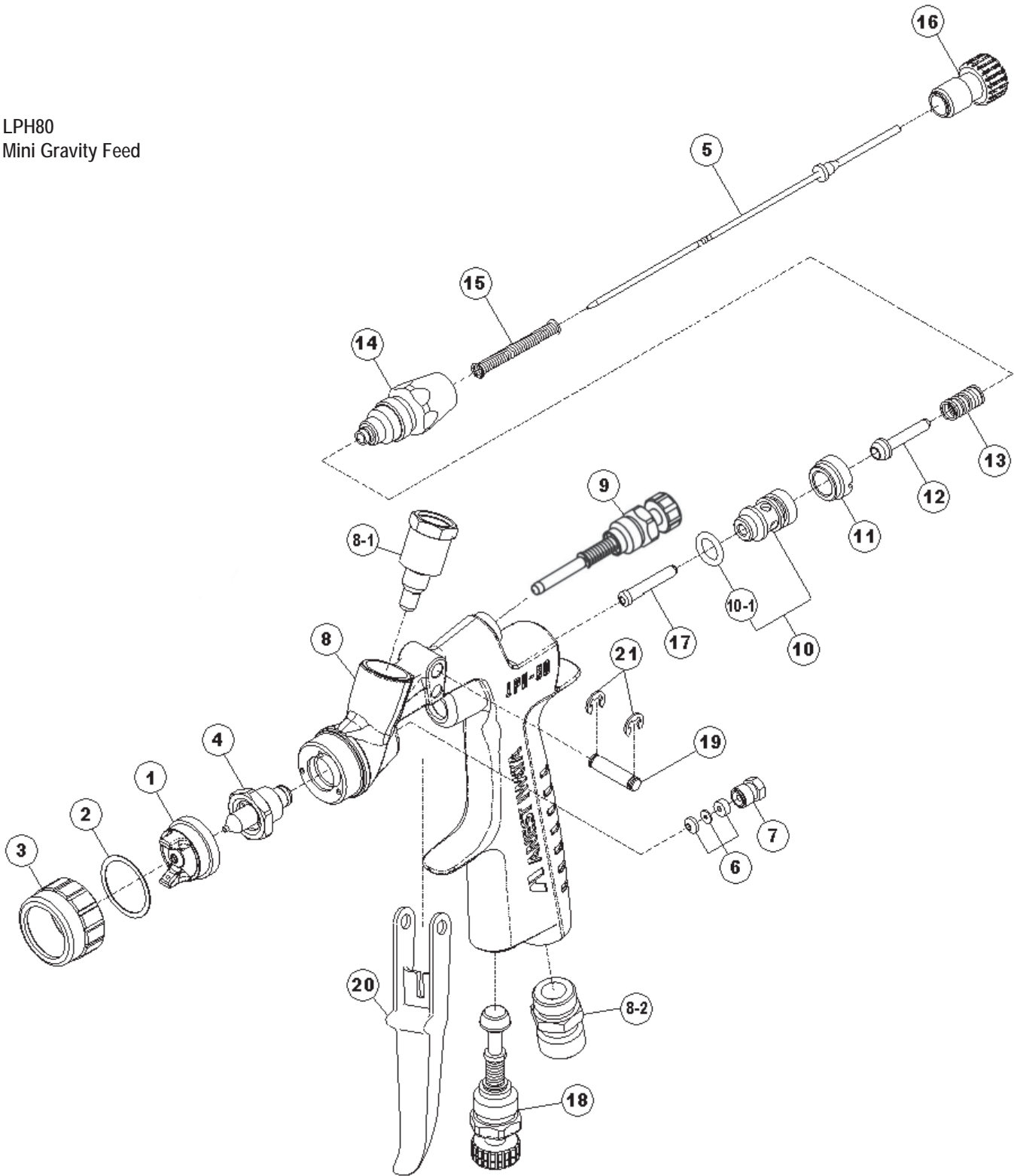


Manual Spray Guns

LPH80
Mini Gravity Feed

Ref #	Part #	Description	Remarks
1	93557600	AIR CAP	042G/062G/082G/102G/122G
1	93662600	AIR CAP "LPH80-E4"	104G/124G
2	93558600	AIR CAP GASKET	
3	93559600	COVER RING	
4	93570600	FLUID NOZZLE 0.4	MARKED AS L50/04
4	93568600	FLUID NOZZLE 0.6	MARKED AS L50/06
4	93761530	FLUID NOZZLE 0.8	MARKED AS L80/08
4	93560600	FLUID NOZZLE 1.0	MARKED AS L50/10
4	93760530	FLUID NOZZLE 1.2	MARKED AS L80/12
5	93891600	FLUID NEEDLE 0.4	MARKED AS I
5	93890600	FLUID NEEDLE 0.6/0.8	MARKED AS II
5	93886600	FLUID NEEDLE 1.0/1.2	MARKED AS III
6	93940890	NEEDLE PACKING SET	SET WITH No.7
7	N/A	NEEDLE PACKING SEAT	
8	N/A	GUN BODY	
8-1	93753530	FLUID NIPPLE	1/8" BSP FEMALE
8-2	93660300	AIR NIPPLE	1/4"
9	93748530	PATTERN ADJUST SET	
10	93912880	AIR VALVE SEAT SET	
10-1	96638005	O RING	
11	93011880	AIR VALVE SEAT SCREW	
12	93013880	AIR VALVE	
13	93012880	AIR VALVE SPRING	
14	93936880	FLUID ADJUST GUIDE SET	
15	93015880	FLUID NEEDLE SPRING	
16	93754530	FLUID ADJUST KNOB	
17	93006880	AIR VALVE SHAFT	
18	93845531	AIR ADJUST SET	
19	93167890	TRIGGER STUD	
20	93162890	TRIGGER	
21	93912030	STOPPER	2PCS/PACK
	93538600	GUN WRENCH	
	2860	REPAIR SERVICE KIT	6, 7, 10-1, 21
	2950	MK5 MAINTENANCE KIT	
	2981	TEST CAP GAUGE SET	042G/062G/082G/102G/122G
	2982	TEST CAP GAUGE SET "LPH80-E4"	104G/124G

LPH80
Mini Gravity Feed



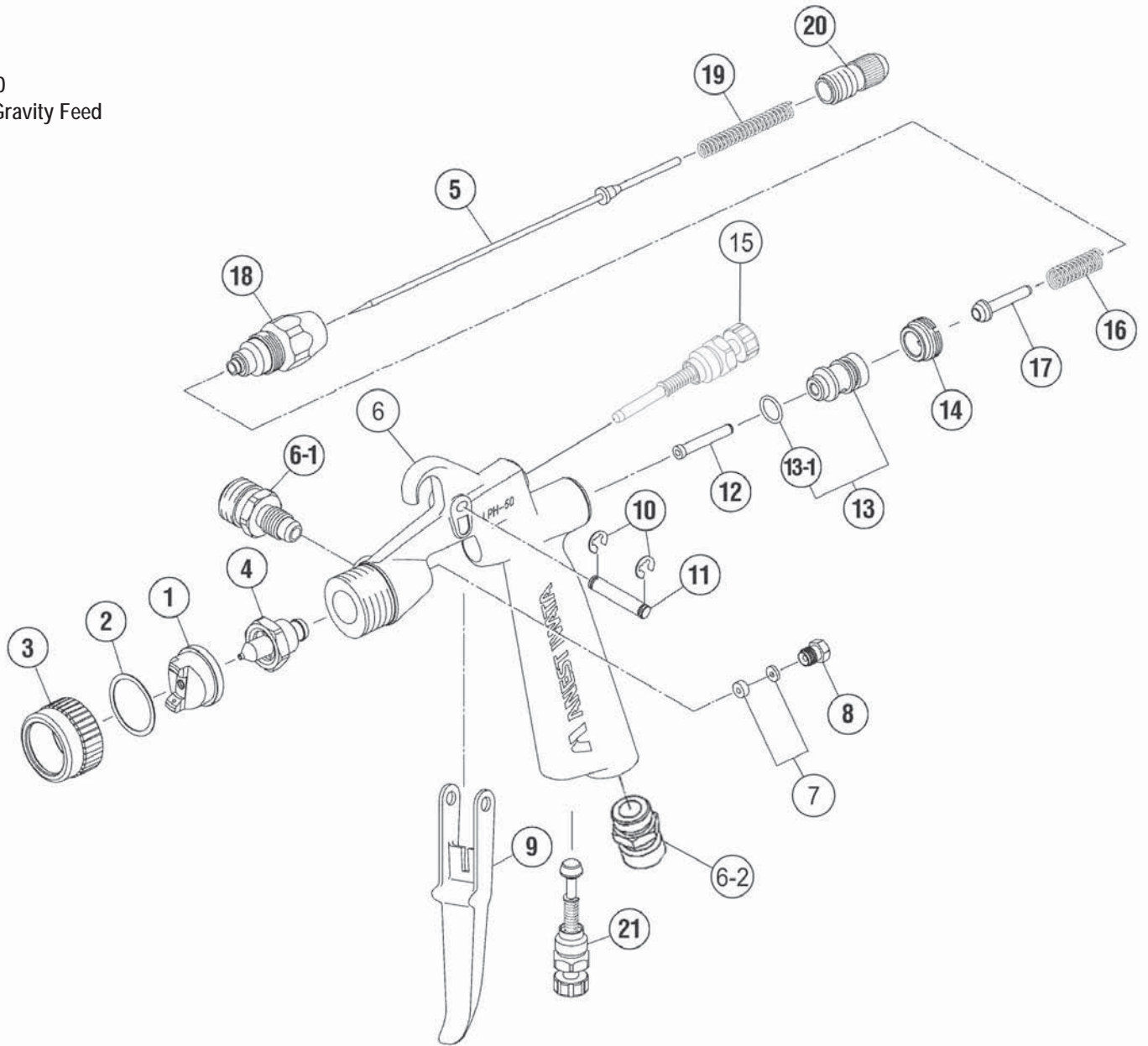


Manual Spray Guns

LPH50
Mini Gravity Feed

Ref #	Part #	Description	Remarks
1	93557600	AIR CAP	
2	93558600	AIR CAP GASKET	
3	93559600	COVER RING	
4	93570600	FLUID NOZZLE 0.4	MARKED AS L50/04
4	93568600	FLUID NOZZLE 0.6	MARKED AS L50/06
4	93560600	FLUID NOZZLE 1.0	MARKED AS L50/10
5	93891600	FLUID NEEDLE 0.4	MARKED AS I
5	93890600	FLUID NEEDLE 0.6	MARKED AS II
5	93886600	FLUID NEEDLE 1.0	MARKED AS III
6	N/A	GUN BODY	
6-1	93005891	FLUID NIPPLE	1/4"
6-2	93660300	AIR NIPPLE	1/4"
7	93940890	NEEDLE PACKING SET	SET WITH No.8
8	N/A	NEEDLE PACKING SEAT	
9	93162890	TRIGGER	
10	93912030	STOPPER	2PCS/PACK
11	93167890	TRIGGER STUD	
12	93006880	AIR VALVE SHAFT	
13	93912880	AIR VALVE SEAT SET	
13-1	96638005	O RING	
14	93011880	AIR VALVE SEAT SCREW	
15	93888600	PATTERN ADJUST SET	
16	93012880	AIR VALVE SPRING	
17	93013880	AIR VALVE	
18	93936880	FLUID ADJUST GUIDE SET	
19	93015880	FLUID NEEDLE SPRING	
20	93017880	FLUID ADJUST KNOB	
21	93845531	AIR ADJUST SET	
	93538600	GUN WRENCH	
	2860	REPAIR SERVICE KIT	7, 8, 10, 13-1
	2950	MK5 MAINTENANCE KIT	
	2981	TEST CAP GAUGE SET	

LPH50
Mini Gravity Feed



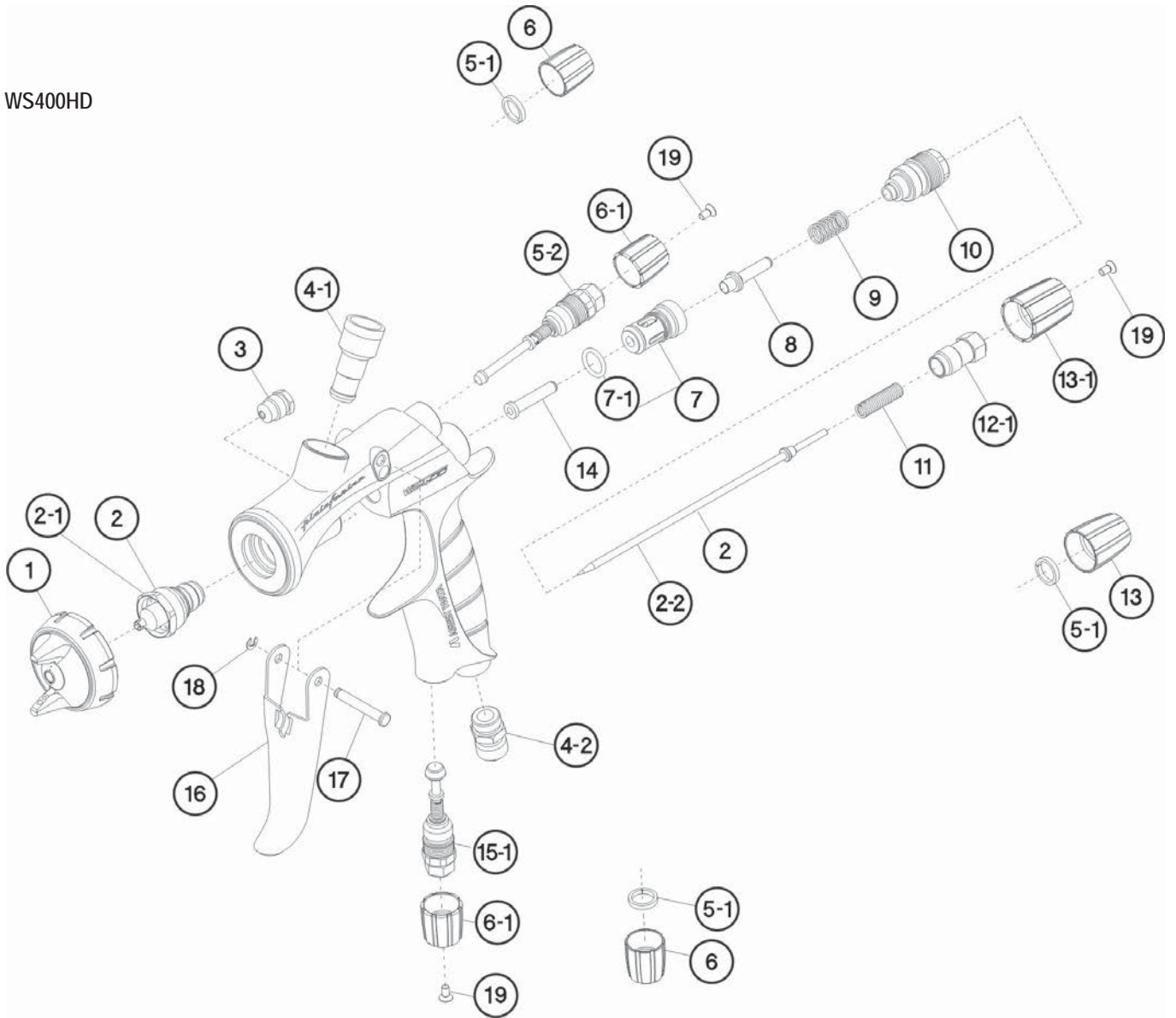


Manual Spray Guns

SUPERNOVA
WS400 / WS400HD

Ref #	Part #	Description	Remarks
1	93505300	AIR CAP ASSY WS-400-01	WS400 ONLY
2	93506410	NOZZLE/NEEDLE ASSY 1.3	WS400 ONLY
2	93506420	NOZZLE/NEELDE ASSY 1.4	WS400 ONLY
2	93505870	NOZZLE/NEEDLE ASSY 1.2HD	WS400HD ONLY
2	93506850	NOZZLE/NEEDLE ASSY OBS	WS400HD ONLY
2	93506910	NOZZLE/NEEDLE ASSY 1.3HD	WS400HD ONLY
2	93506920	NOZZLE/NEEDLE ASSY 1.4HD	WS400HD ONLY
2	93506930	NOZZLE/NEEDLE ASSY 1.5HD	WS400HD ONLY
2-1	93506440	FLUID NOZZLE 1.3C	WS400 ONLY
2-1	93506450	FLUID NOZZLE 1.4	WS400 ONLY
2-1	93505870	FLUID NOZZLE 1.2HD	WS400HD ONLY
2-1	93506860	FLUID NOZZLE OBS	WS400HD ONLY
2-1	93506940	FLUID NOZZLE 1.3HD	WS400HD ONLY
2-1	93506950	FLUID NOZZLE 1.4HD	WS400HD ONLY
2-1	93506960	FLUID NOZZLE 1.5HD	WS400HD ONLY
2-2	93829600	FLUID NEEDLE	1.2HD
2-2	93830600	FLUID NEEDLE	1.3, 1.4, OBS, 1.3HD, 1.4HD, 1.5HD
3	93765610	CARTRIDGE PACKING ASSY	
4-1	93505421	FLUID NIPPLE	
4-2	93660300	AIR NIPPLE	
	93505430	PATTERN ADJUST ASSY	
5-2	93505432	PATTERN ADJUST ASSY (NEW)	
5-1	93505460	ADJUST RING	
6	93505470	ADJUST KNOB	
6-1	93505471	ADJUST KNOB (NEW)	
7	93843530	AIR VALVE SEAT ASSY	
7-1	96638008	O RING	
8	93505480	AIR VALVE	
9	93719530	AIR VALVE SPRING	
10	93505490	FLUID ADJUST GUIDE ASSY	
11	93593530	FLUID NEEDLE SPRING	
	93505810	FLUID ADJUST SCREW ASSY	
12-1	93505822	FLUID ADJUST SCREW ASSY (NEW)	
13	93505830	FLUID ADJUST KNOB	
13-1	93505831	FLUID ADJUST KNOB (NEW)	
14	93595530	AIR VALVE SHAFT	
	93505840	AIR ADJUST ASSY	
15-1	93505842	AIR ADJUST ASSY (NEW)	
16	93505850	TRIGGER	
17	93505860	TRIGGER STUD	
18	96612025	E STOPPER	
19	93506970	STAR FLAT HEAD BOLT	
	93505341	L GASKET (BLACK)	FOR AIR CAP SET
	93505330	AIR CAP GASKET (WHITE)	
	5652	REPAIR SERVICE KIT	3, 5-1, 7, 9, 11, 17, 18

WS400 / WS400HD



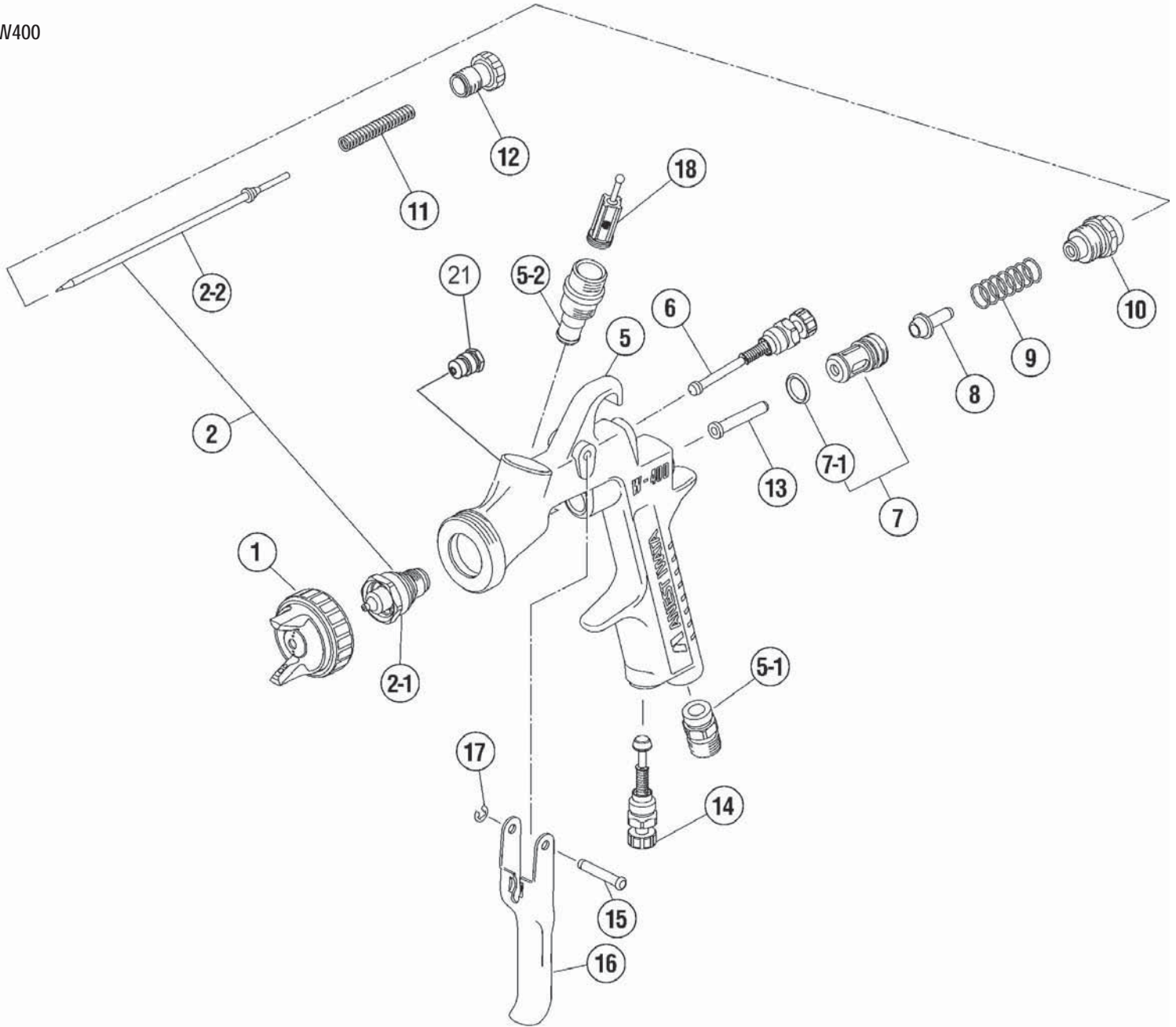


Manual Spray Guns

W400

Ref #	Part #	Description	Remarks
1	93830611	AIR CAP SET "W400-LV2"	122G/132G/142G/162G
1	93859611	AIR CAP SET "W400-LV1"	182G
1	93813611	AIR CAP SET "W200-W1"	251G
2	93891610	NOZZLE/NEEDLE SET 1.2	
2	93881610	NOZZLE/NEEDLE SET 1.3	
2	93831610	NOZZLE/NEEDLE SET 1.4	
2	93832610	NOZZLE/NEEDLE SET 1.6	
2	93821610	NOZZLE/NEEDLE SET 1.8	
2	93819610	NOZZLE/NEEDLE SET 2.5	
2-1	93527610	FLUID NOZZLE 1.2	MARKED AS W200/12
2-1	93611610	FLUID NOZZLE 1.3	MARKED AS W400/13
2-1	93540610	FLUID NOZZLE 1.4	MARKED AS W400/14
2-1	93541610	FLUID NOZZLE 1.6	MARKED AS W400/16
2-1	93525610	FLUID NOZZLE 1.8	MARKED AS W200/18
2-1	93523610	FLUID NOZZLE 2.5	MARKED AS W200/25
2-2	93829600	FLUID NEEDLE 1.2	MARKED AS 40012
2-2	93830600	FLUID NEEDLE 1.3/1.4/1.6	MARKED AS 20015
2-2	93831600	FLUID NEEDLE 1.8	MARKED AS 20020
2-2	93832600	FLUID NEEDLE 2.5	MARKED AS 20025
5	N/A	GUN BODY	
5-1	93660300	AIR NIPPLE	1/4"
5-2	93650531	FLUID NIPPLE	M16X1.5
6	93842601	PATTERN ADJUST SET	
7	93843530	AIR VALVE SEAT SET	
7-1	96638008	O RING	
8	93591530	AIR VALVE	
9	93719530	AIR VALVE SPRING	
10	93844531	FLUID ADJUST GUIDE SET	
11	93593530	FLUID NEEDLE SPRING	
12	93594532	FLUID ADJUST KNOB	
13	93595530	AIR VALVE SHAFT	
14	93845531	AIR ADJUST SET	
15	93667360	TRIGGER STUD	
16	93517600	TRIGGER	
17	93912030	STOPPER	2PCS/PACK
18	93515500	FILTER	60MESH
21	93765610	CARTDIRGE PACKING	
	93512600	L GASKET (BLACK)	FOR AIR CAP SET
	93708240	AIR CAP GASKET (WHITE)	
	93538600	GUN WRENCH	
	5650	REPAIR SERVICE KIT	7-1, 9, 11, 15, 17, 21
	2950	MK5 MAINTENANCE KIT	

W400



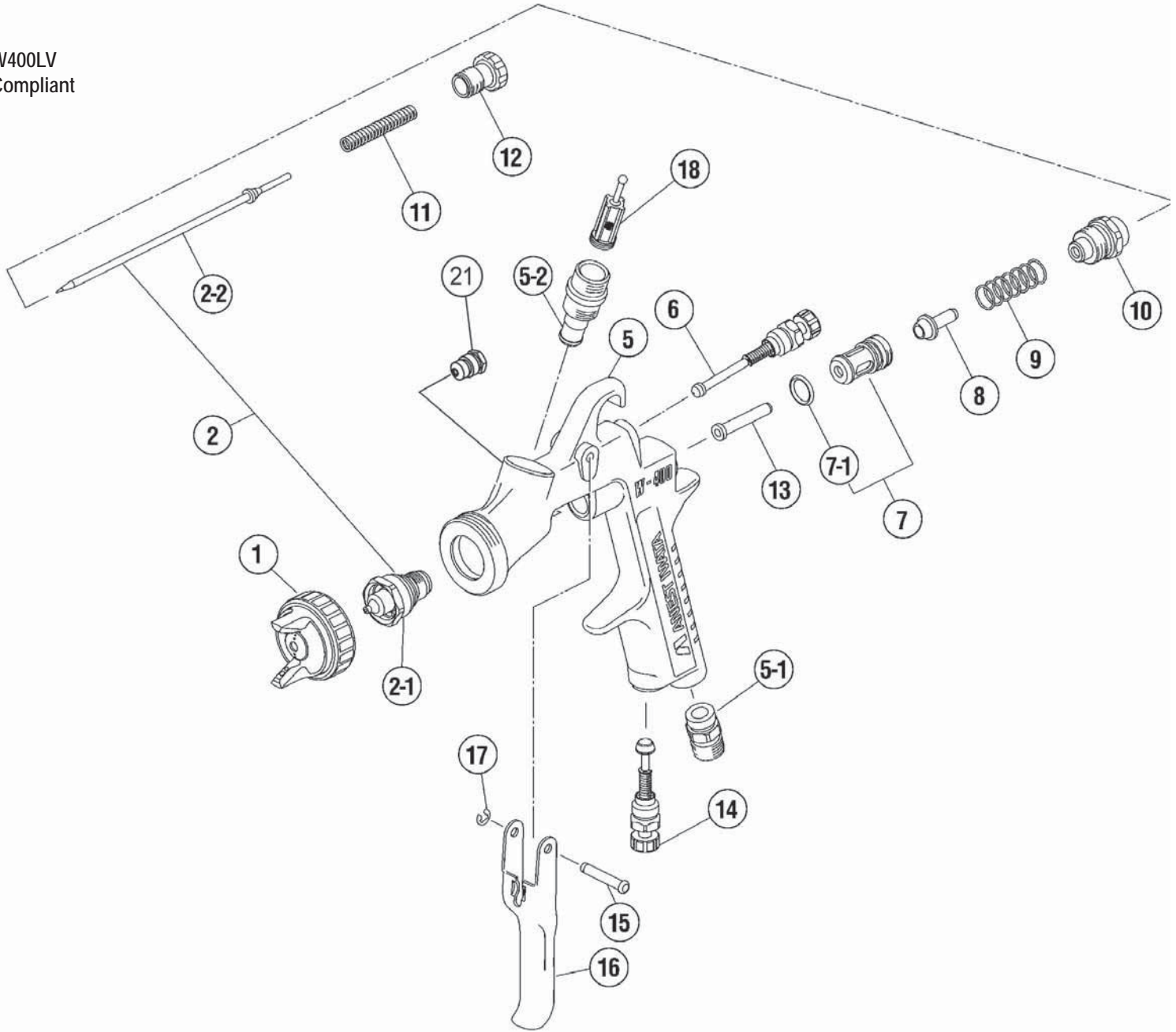


Manual Spray Guns

W400LV
Compliant

Ref #	Part #	Description	Remarks
1	93631621	AIR CAP SET "W400-LV4"	20PSI
2	93627610	NOZZLE/NEEDLE SET 1.2	
2	93634610	NOZZLE/NEEDLE SET 1.3	
2	93628610	NOZZLE/NEEDLE SET 1.4	
2	93622620	NOZZLE/NEEDLE SET 1.6	
2	93635620	NOZZLE/NEEDLE SET 1.8	
2-1	93624610	FLUID NOZZLE 1.2	MARKED AS 400WB/12
2-1	93633610	FLUID NOZZLE 1.3	MARKED AS 400WB/13
2-1	93625610	FLUID NOZZLE 1.4	MARKED AS 400WB/14
2-1	93621620	FLUID NOZZLE 1.6	MARKED AS 400WB/16
2-1	93636620	FLUID NOZZLE 1.8	MARKED AS 400WB/18
2-2	93829600	FLUID NEEDLE 1.2	MARKED AS 40012
2-2	93830600	FLUID NEEDLE 1.3/1.4/1.6	MARKED AS 20015
2-2	93831600	FLUID NEEDLE 1.8	MARKED AS 20020
5	N/A	GUN BODY	
5-1	93660300	AIR NIPPLE	1/4"
5-2	93650531	FLUID NIPPLE	M16X1.5
6	93842601	PATTERN ADJUST SET	
7	93843530	AIR VALVE SEAT SET	
7-1	96638008	O RING	
8	93591530	AIR VALVE	
9	93719530	AIR VALVE SPRING	
10	93844531	FLUID ADJUST GUIDE SET	
11	93593530	FLUID NEEDLE SPRING	
12	93594532	FLUID ADJUST KNOB	
13	93595530	AIR VALVE SHAFT	
14	93845531	AIR ADJUST SET	
15	93667360	TRIGGER STUD	
16	93517600	TRIGGER	
17	93912030	STOPPER	2PCS/PACK
18	93515500	FILTER	60MESH
21	93765610	CARTRIDGE PACKING	
	93512600	L GASKET (BLACK)	FOR AIR CAP SET
	93708240	AIR CAP GASKET (WHITE)	
	93538600	GUN WRENCH	
	5650	REPAIR SERVICE KIT	7-1, 9, 11, 15, 17, 21
	2950	MK5 MAINTENANCE KIT	
	8130	AK-1B AIR FLOW CONTROL VALVE	FOR W400LV COMPLIANT
	8130B	AK-1B2 AIR FLOW CONTROL VALVE	FOR W400LV COMPLIANT
	8131	AK-1R AIR REGULATOR	FOR W400LV COMPLIANT

W400LV
Compliant

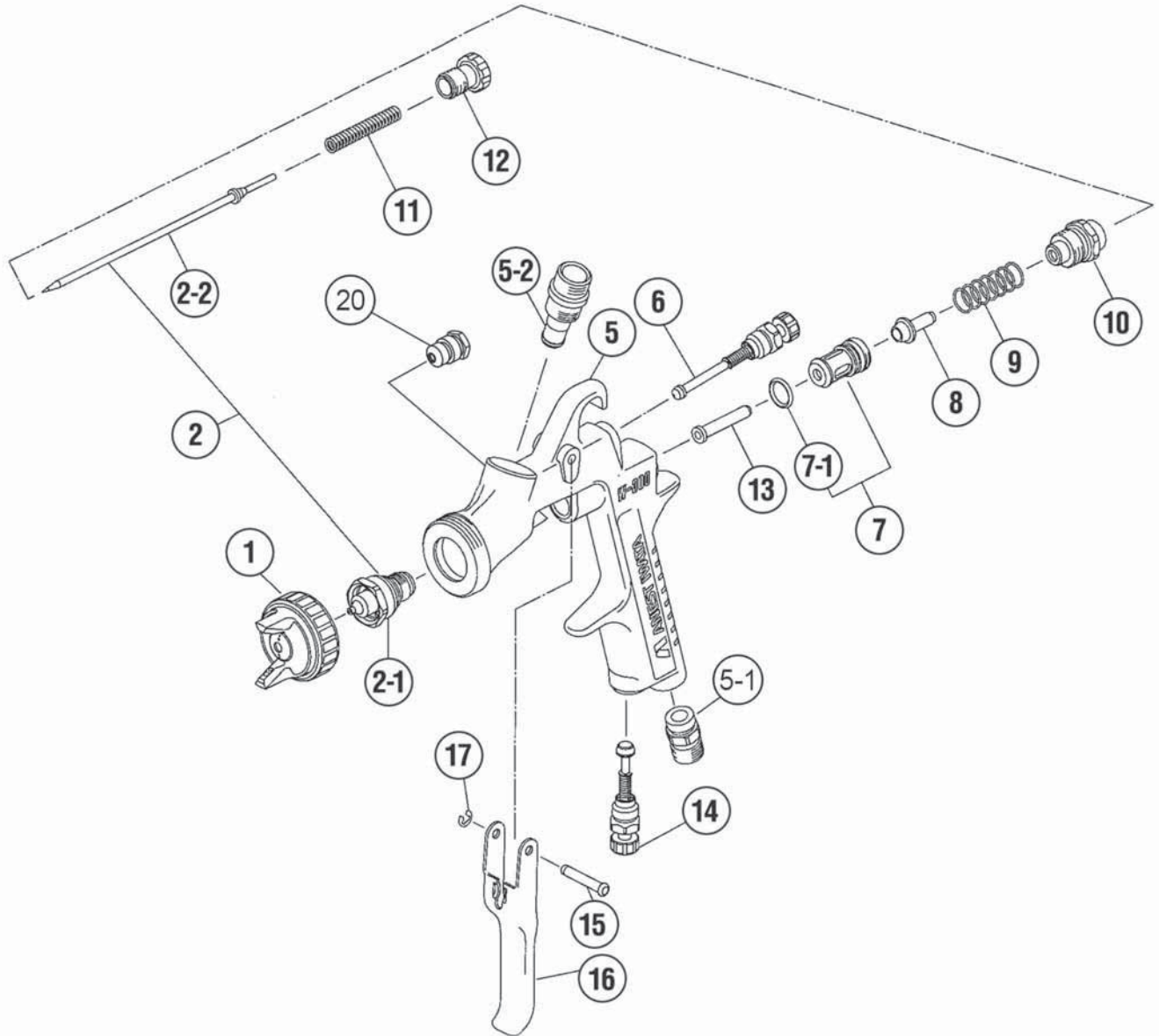




W300

Ref #	Part #	Description	Remarks
1	93689610	AIR CAP SET "W101-E1"	081G
1	93735610	AIR CAP SET "W101-K1"	101G/141G
1	93696610	AIR CAP SET "W101-H2"	132G
1	93662610	AIR CAP SET "W101-H4"	134G
1	93700610	AIR CAP SET "W101-N1"	161G
2	93590620	NOZZLE/NEEDLE SET 0.8	
2	93600620	NOZZLE/NEEDLE SET 1.0	
2	93801610	NOZZLE/NEEDLE SET 1.3	
2	93626620	NOZZLE/NEEDLE SET 1.4	
2	93627620	NOZZLE/NEEDLE SET 1.6	
2-1	93513610	FLUID NOZZLE 0.8	MARKED AS W100/08
2-1	93582610	FLUID NOZZLE 1.0	MARKED AS W100/T10
2-1	93501610	FLUID NOZZLE 1.3	MARKED AS W100/13
2-1	93628620	FLUID NOZZLE 1.4	MARKED AS W100/14
2-1	93629620	FLUID NOZZLE 1.6	MARKED AS W100/16
2-2	93589620	FLUID NEEDLE 0.8/1.0	MARKED AS 30008
2-2	93578530	FLUID NEEDLE 1.3/1.4/1.6	MARKED AS 10013
5	N/A	GUN BODY	
5-1	93660300	AIR NIPPLE	1/4"
5-2	93575620	FLUID NIPPLE	1/4" BSP FEMALE
6	93577620	PATTERN ADJUST SET	
7	93843530	AIR VALVE SEAT SET	
7-1	96638008	O RING	
8	93591530	AIR VALVE	
9	93719530	AIR VALVE SPRING	
10	93844531	FLUID ADJUST GUIDE SET	
11	93593530	FLUID NEEDLE SPRING	
12	93594532	FLUID ADJUST KNOB	
13	93595530	AIR VALVE SHAFT	
14	93845531	AIR ADJUST SET	
15	93667360	TRIGGER STUD	
16	93597530	TRIGGER	
17	93912030	STOPPER	2PCS/PACK
20	93765610	CARTRIDGE PACKING	
	93576530	L GASKET (BLACK)	FOR AIR CAP SET
	93608320	AIR CAP GASKET (WHITE)	
	93538600	GUN WRENCH	
	5650	REPAIR SERVICE KIT	7-1, 9, 11, 15, 17, 20
	2950	MK5 MAINTENANCE KIT	

W300

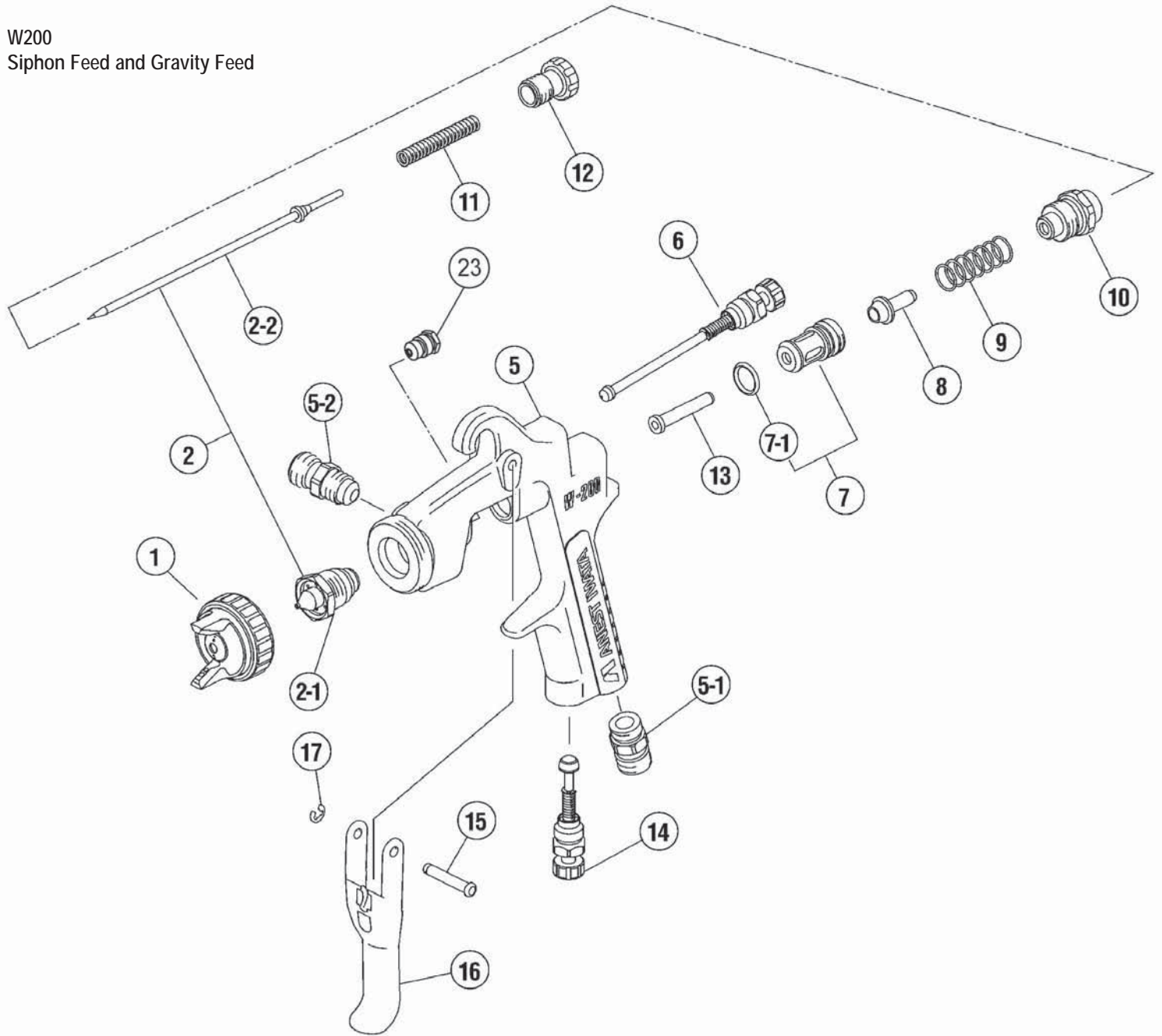




**W200
Siphon Feed and
Gravity Feed**

Ref #	Part #	Description	Remarks
1	93817611	AIR CAP SET "W200-K1"	151S/G
1	93816611	AIR CAP SET "W200-K2"	152S/G,182S
1	93815611	AIR CAP SET "W200-R1"	201S/G
1	93814611	AIR CAP SET "W200-R2"	202S/G
1	93813611	AIR CAP SET "W200-W1"	251S/G
2	93822610	NOZZLE/NEEDLE SET 1.5	
2	93821610	NOZZLE/NEEDLE SET 1.8	
2	93820610	NOZZLE/NEEDLE SET 2.0	
2	93819610	NOZZLE/NEEDLE SET 2.5	
2-1	93526610	FLUID NOZZLE 1.5	MARKED AS W200/15
2-1	93525610	FLUID NOZZLE 1.8	MARKED AS W200/18
2-1	93524610	FLUID NOZZLE 2.0	MARKED AS W200/20
2-1	93523610	FLUID NOZZLE 2.5	MARKED AS W200/25
2-2	93830600	FLUID NEEDLE 1.5	MARKED AS 20015
2-2	93831600	FLUID NEEDLE 1.8/2.0	MARKED AS 20020
2-2	93832600	FLUID NEEDLE 2.5	MARKED AS 20025
5	N/A	GUN BODY	
5-1	93660300	AIR NIPPLE	1/4"
5-2	93515600	FLUID NIPPLE	3/8"
6	93840601	PATTERN ADJUST SET	
7	93843530	AIR VALVE SEAT SET	
7-1	96638008	O RING	
8	93591530	AIR VALVE	
9	93719530	AIR VALVE SPRING	
10	93844531	FLUID ADJUST GUIDE SET	
11	93593530	FLUID NEEDLE SPRING	
12	93594532	FLUID ADJUST KNOB	
13	93595530	AIR VALVE SHAFT	
14	93845531	AIR ADJUST SET	
15	93667360	TRIGGER STUD	
16	93517600	TRIGGER	
17	93912030	STOPPER	2PCS/PACK
23	93765610	CARTRIDGE PACKING	
	93512600	L GASKET (BLACK)	FOR AIR CAP SET
	93708240	AIR CAP GASKET (WHITE)	
	93538600	GUN WRENCH	
	5650	REPAIR SERVICE KIT	7-1, 9, 11, 15, 17, 23
	2950	MK5 MAINTENANCE KIT	

W200
Siphon Feed and Gravity Feed





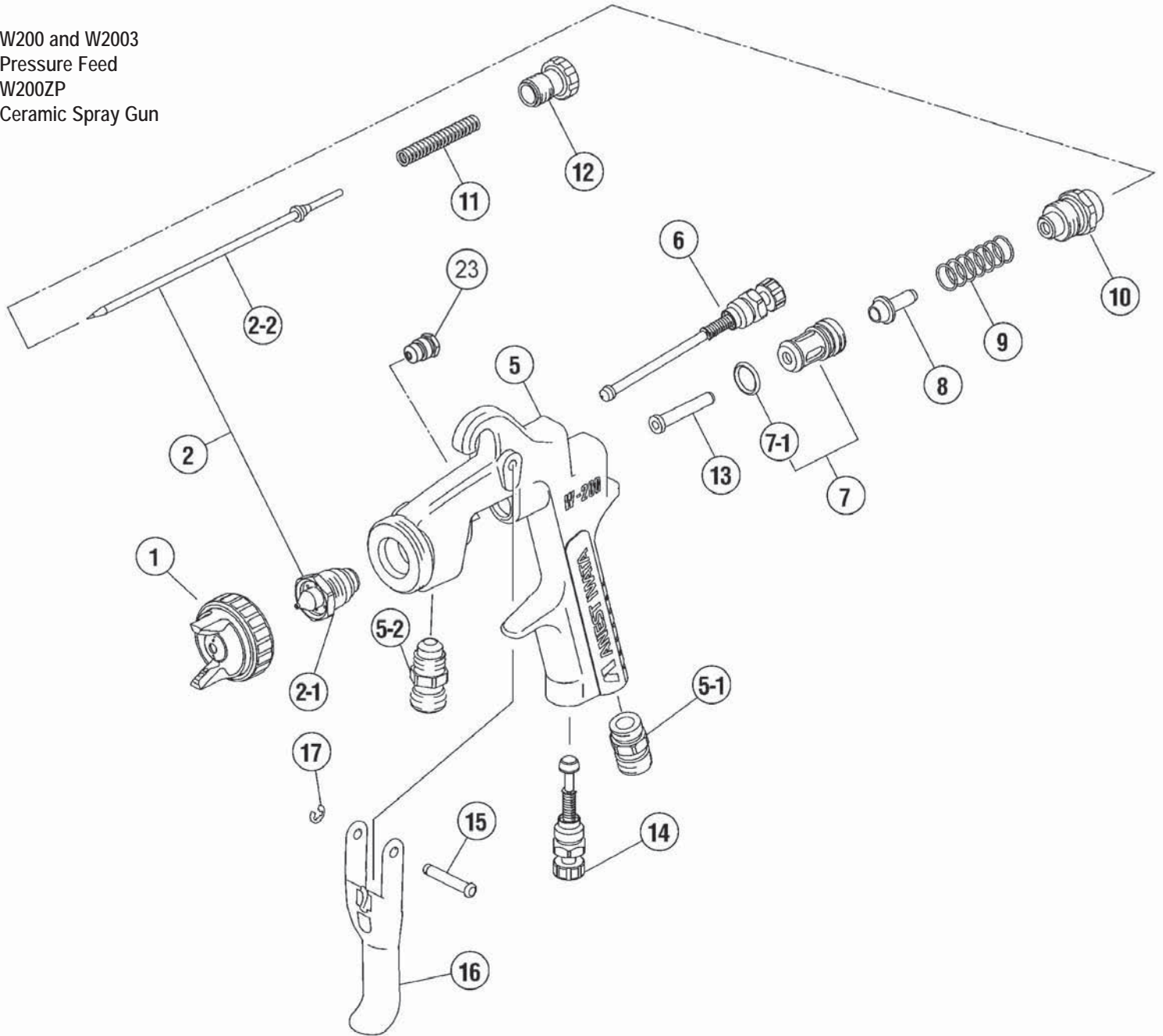
Manual Spray Guns

W200 and W2003
Pressure Feed

W200ZP
Ceramic Spray Gun

Ref #	Part #	Description	Remarks
1	93818611	AIR CAP SET "W200-G2P"	W200
1	93815611	AIR CAP SET "W200-R1"	W2003
1	93871611	AIR CAP SET "W200-R1Z"	W200ZP
2	93891610	NOZZLE/NEEDLE SET 1.2	W200
2	93820610	NOZZLE/NEEDLE SET 2.0	W2003
2	93872610	NOZZLE/NEEDLE SET 2.0	W200ZP, CARBIDE
2	93874610	NOZZLE/NEEDLE SET 2.5	W200ZP, CARBIDE
2-1		FLUID NOZZLE	SUPPLIED AS SET
2-2		FLUID NEEDLE	SUPPLIED AS SET
5	N/A	GUN BODY	
5-1	93660300	AIR NIPPLE	1/4"
5-2	93515600	FLUID NIPPLE	3/8", W200/W200ZP
5-2	93161710	FLUID NIPPLE (FEMALE)	W2003
5-3	93910710	GASKET (NOT SHOWN)	W2003, 2PCS/PACK
6	93840601	PATTERN ADJUST SET	
7	93843530	AIR VALVE SEAT SET	
7-1	96638008	O RING	
8	93591530	AIR VALVE	
9	93719530	AIR VALVE SPRING	
10	93844531	FLUID ADJUST GUIDE SET	
11	93593530	FLUID NEEDLE SPRING	
12	93594532	FLUID ADJUST KNOB	
13	93595530	AIR VALVE SHAFT	
14	93845531	AIR ADJUST SET	
15	93667360	TRIGGER STUD	
16	93517600	TRIGGER	
17	93912030	STOPPER	2PCS/PACK
23	93765610	CARTRIDGE PACKING	
	93512600	L GASKET (BLACK)	FOR AIR CAP SET
	93708240	AIR CAP GASKET (WHITE)	
	93538600	GUN WRENCH	
	5650	REPAIR SERVICE KIT	7-1, 9, 11, 15, 17, 23
	2950	MK5 MAINTENANCE KIT	
	6035	PC19B CONTAINER	FOR W2003

W200 and W2003
 Pressure Feed
 W200ZP
 Ceramic Spray Gun

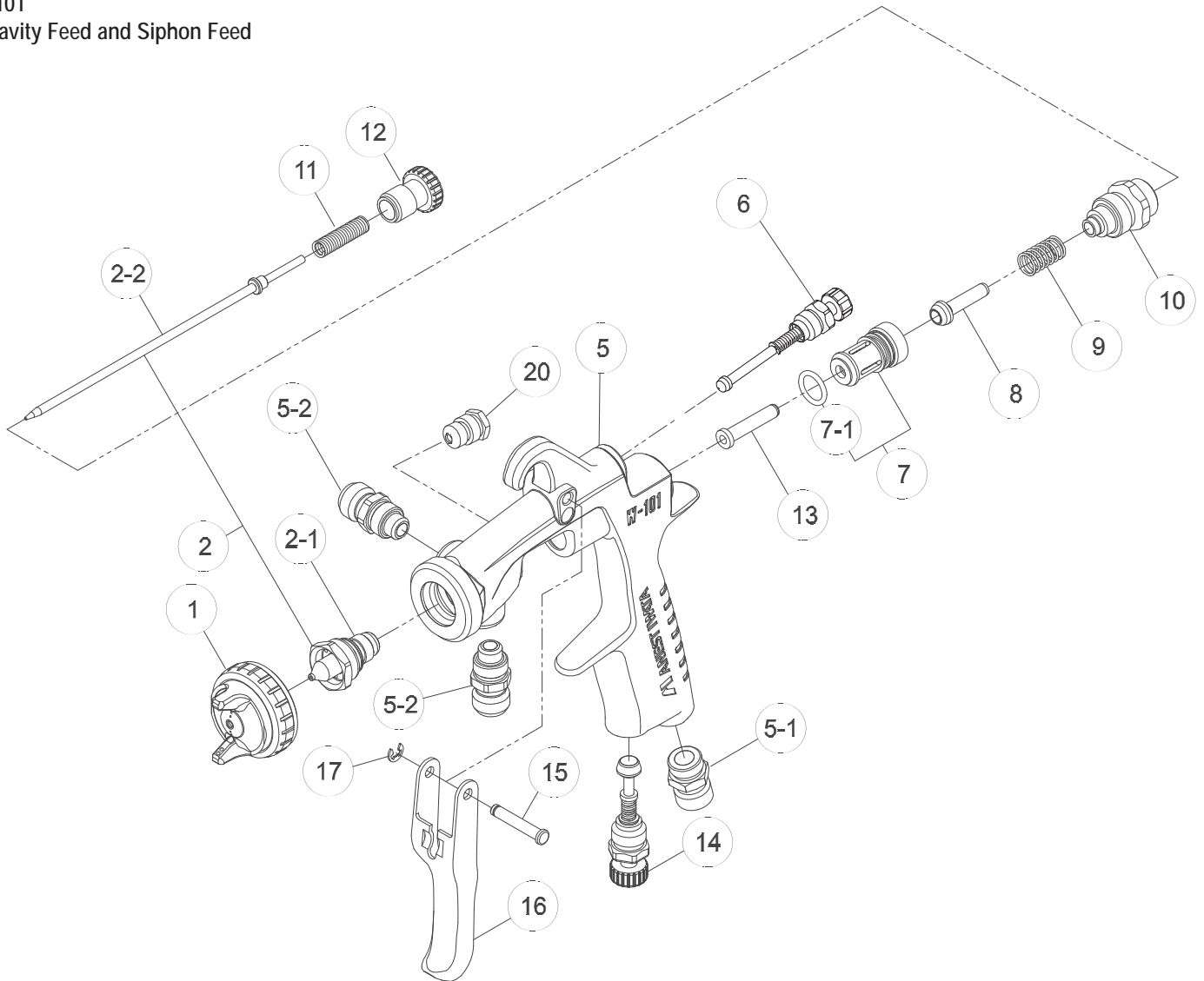




**W101
Gravity Feed and
Siphon Feed**

Ref #	Part #	Description	Remarks
1	93689610	AIR CAP SET "W101-E1"	W101/100-101G/S
1	93735610	AIR CAP SET "W101-K1"	W101/100-131G/S,151G/S
1	93696610	AIR CAP SET "W101-H2"	W101/100-132G/S,152G/S
1	93662610	AIR CAP SET "W101-H4"	W101/100-134G/S
1	93700610	AIR CAP SET "W101-N1"	W101/100-181G/S
2	93691610	NOZZLE/NEEDLE SET 1.0	W101/100
2	93666610	NOZZLE/NEEDLE SET 1.3	W101/100
2	93698610	NOZZLE/NEEDLE SET 1.5	W101/100
2	93702610	NOZZLE/NEEDLE SET 1.8	W101/100
2-1	93692610	FLUID NOZZLE 1.0	W101/100, MARKED AS W101/10
2-1	93667610	FLUID NOZZLE 1.3	W101/100, MARKED AS W101/13
2-1	93699610	FLUID NOZZLE 1.5	W101/100, MARKED AS W101/15
2-1	93703610	FLUID NOZZLE 1.8	W101/100, MARKED AS W101/18
2-2	93537600	FLUID NEEDLE 1.0	MARKED AS 10008H
2-2	93578530	FLUID NEEDLE 1.3/1.5	MARKED AS 10013
2-2	93703530	FLUID NEEDLE 1.8	MARKED AS 10018
5	N/A	GUN BODY	
5-1	93660300	AIR NIPPLE	1/4"
5-2	93584530	FLUID NIPPLE	1/4"
6	93842531	PATTERN ADJUST SET	
7	93843530	AIR VALVE SEAT SET	
7-1	96638008	O RING	
8	93591530	AIR VALVE	
9	93719530	AIR VALVE SPRING	
10	93844531	FLUID ADJUST GUIDE SET	
11	93593530	FLUID NEEDLE SPRING	
12	93594532	FLUID ADJUST KNOB	
13	93595530	AIR VALVE SHAFT	
14	93845531	AIR ADJUST SET	
15	93667360	TRIGGER STUD	
16	93597530	TRIGGER	
17	93912030	STOPPER	2PCS/PACK
20	93765610	CARTRIDGE PACKING	
	93576530	L GASKET (BLACK)	FOR AIR CAP SET
	93608320	AIR CAP GASKET (WHITE)	
	93538600	GUN WRENCH	
	5650	REPAIR SERVICE KIT	7-1, 9, 11, 15, 17, 20
	2950	MK5 MAINTENANCE KIT	

W101
Gravity Feed and Siphon Feed



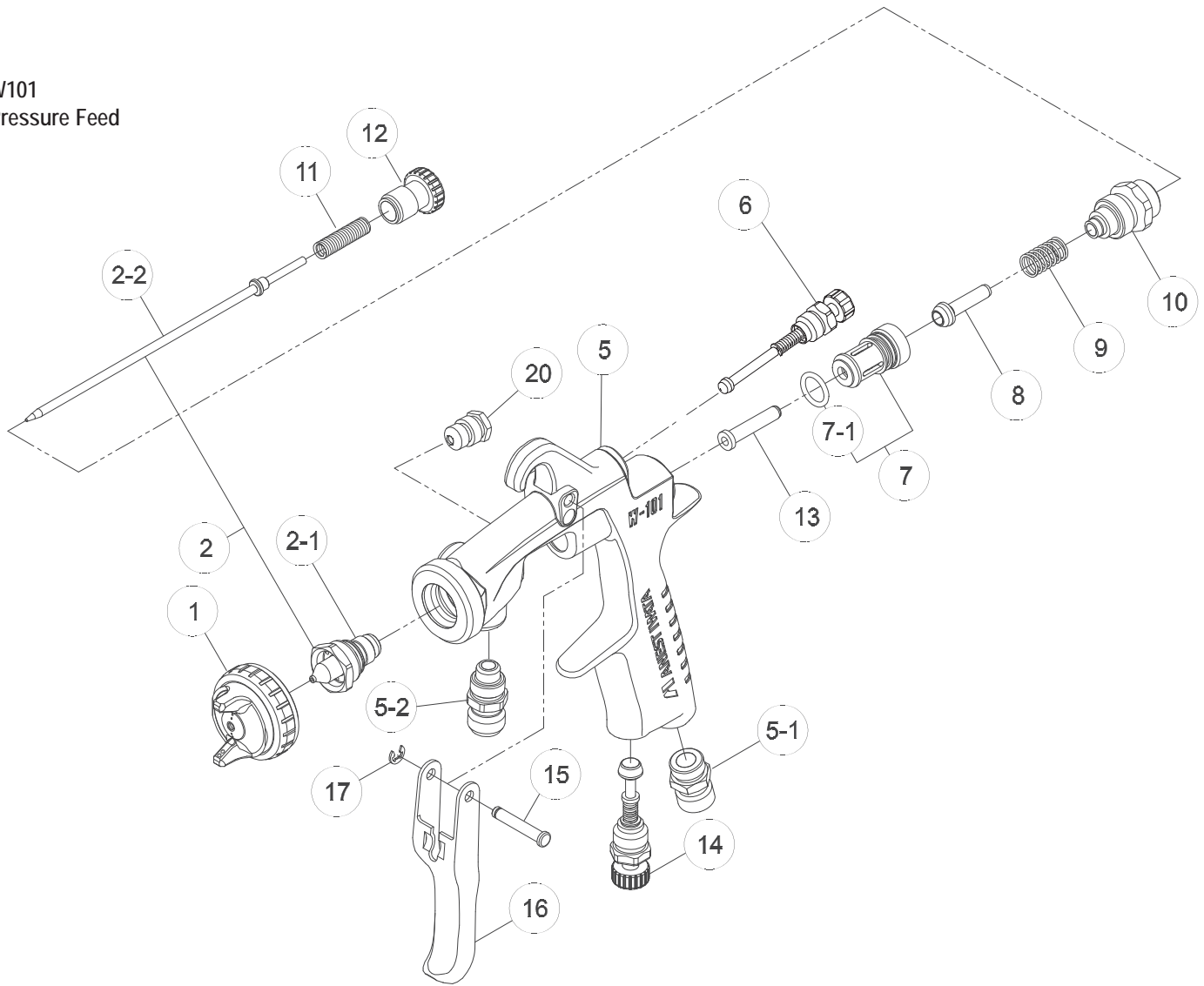


Manual Spray Guns

W101
Pressure Feed

Ref #	Part #	Description	Remarks
1	93704610	AIR CAP SET "W101-E2P"	W101/100
2	93706610	NOZZLE/NEEDLE SET 0.8	W101/100
2	93691610	NOZZLE/NEEDLE SET 1.0	W101/100
2	93666610	NOZZLE/NEEDLE SET 1.3	W101/100
2	93698610	NOZZLE/NEEDLE SET 1.5	W101/100
2-1		FLUID NOZZLE	SUPPLIED AS SET
2-2		FLUID NEEDLE	SUPPLIED AS SET
5	N/A	GUN BODY	
5-1	93660300	AIR NIPPLE	1/4"
5-2	93515600	FLUID NIPPLE	3/8"
5-2	93584530	FLUID NIPPLE	1/4" (OPTION)
6	93842531	PATTERN ADJUST SET	
7	93843530	AIR VALVE SEAT SET	
7-1	96638008	O RING	
8	93591530	AIR VALVE	
9	93719530	AIR VALVE SPRING	
10	93844531	FLUID ADJUST GUIDE SET	
11	93593530	FLUID NEEDLE SPRING	
12	93594532	FLUID ADJUST KNOB	
13	93595530	AIR VALVE SHAFT	
14	93845531	AIR ADJUST SET	
15	93667360	TRIGGER STUD	
16	93597530	TRIGGER	
17	93912030	STOPPER	2PCS/PACK
20	93765610	CARTRIDGE PACKING	
	93576530	L GASKET (BLACK)	FOR AIR CAP SET
	93608320	AIR CAP GASKET (WHITE)	
	93538600	GUN WRENCH	
	5650	REPAIR SERVICE KIT	7-1, 9, 11, 15, 17, 20
	2950	MK5 MAINTENANCE KIT	

W101
Pressure Feed



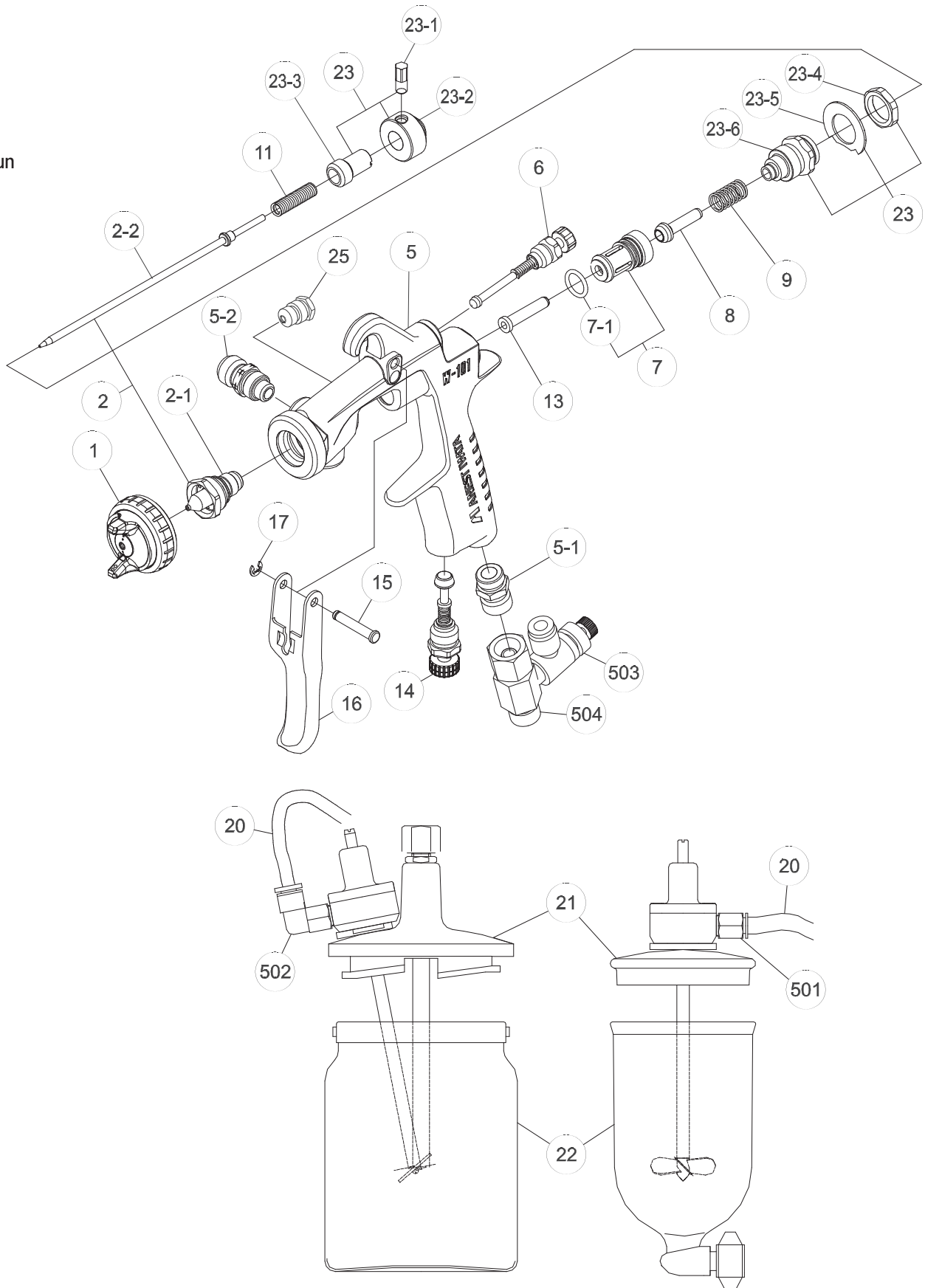


Manual Spray Guns

W101A
Agitator Gun

Ref #	Part #	Description	Remarks
1	93662610	AIR CAP SET "W101-H4"	W101A/100A
2	93746610	NOZZLE/NEEDLE SET 1.0	W101A/100A
2	93666610	NOZZLE/NEEDLE SET 1.3	W101A/100A
2-1	93747610	FLUID NOZZLE 1.0	W101A/100A, MARKED W101/T10
2-1	93667610	FLUID NOZZLE 1.3	W101A/100A, MARKED W101/13
2-2	93537600	FLUID NEEDLE 1.0	MARKED AS 10008H
2-2	93578530	FLUID NEEDLE 1.3	MARKED AS 10013
5	N/A	GUN BODY	
5-1	93660300	AIR NIPPLE	1/4"
5-2	93584530	FLUID NIPPLE	1/4"
6	93842531	PATTERN ADJUST SET	
7	93843530	AIR VALVE SEAT SET	
7-1	96638008	O RING	
8	93591530	AIR VALVE	
9	93719530	AIR VALVE SPRING	
11	93593530	FLUID NEEDLE SPRING	
13	93595530	AIR VALVE SHAFT	
14	93845531	AIR ADJUST SET	
15	93667360	TRIGGER STUD	
16	93597530	TRIGGER	
17	93912030	STOPPER	2PCS/PACK
20	93500510	AIR TUBE	FOR GRAVITY FEED
20	93507510	AIR TUBE	FOR SIPHON FEED
21	93858610	AIR MOTOR/LID SET	FOR GRAVITY FEED
21	93856610	AIR MOTOR/LID SET	FOR SIPHON FEED
22	94000092	CONTAINER ONLY (PC4S)	FOR GRAVITY FEED
22	94000050	CONTAINER ONLY (PC2)	FOR SIPHON FEED
23	93857610	QUICK FLUID ADJUST SET	
23-1		FLUID ADJUST LEVER	SUPPLIED AS SET
23-2		FLUID ADJUST KNOB	SUPPLIED AS SET
23-3		FLUID ADJUST SCREW	SUPPLIED AS SET
23-4		LOCKING NUT	SUPPLIED AS SET
23-5		DIAL PLATE	SUPPLIED AS SET
23-6		FLUID ADJUST GUIDE SET	SUPPLIED AS SET
25	93765610	CARTRIDGE PACKING	
501	96801161	HALF UNION	FOR GRAVITY FEED
502	96800161	ELBOW UNION	FOR SIPHON FEED
503	97992436	FLOW CONTROL VALVE	
504	93503510	ADAPTOR	
	93576530	L GASKET (BLACK)	FOR AIR CAP SET
	93608320	AIR CAP GASKET (WHITE)	
	93538600	GUN WRENCH	
	5650	REPAIR SERVICE KIT	7-1, 9, 11, 15, 17, 25
	2950	MK5 MAINTENANCE KIT	

W101A
Agitator Gun



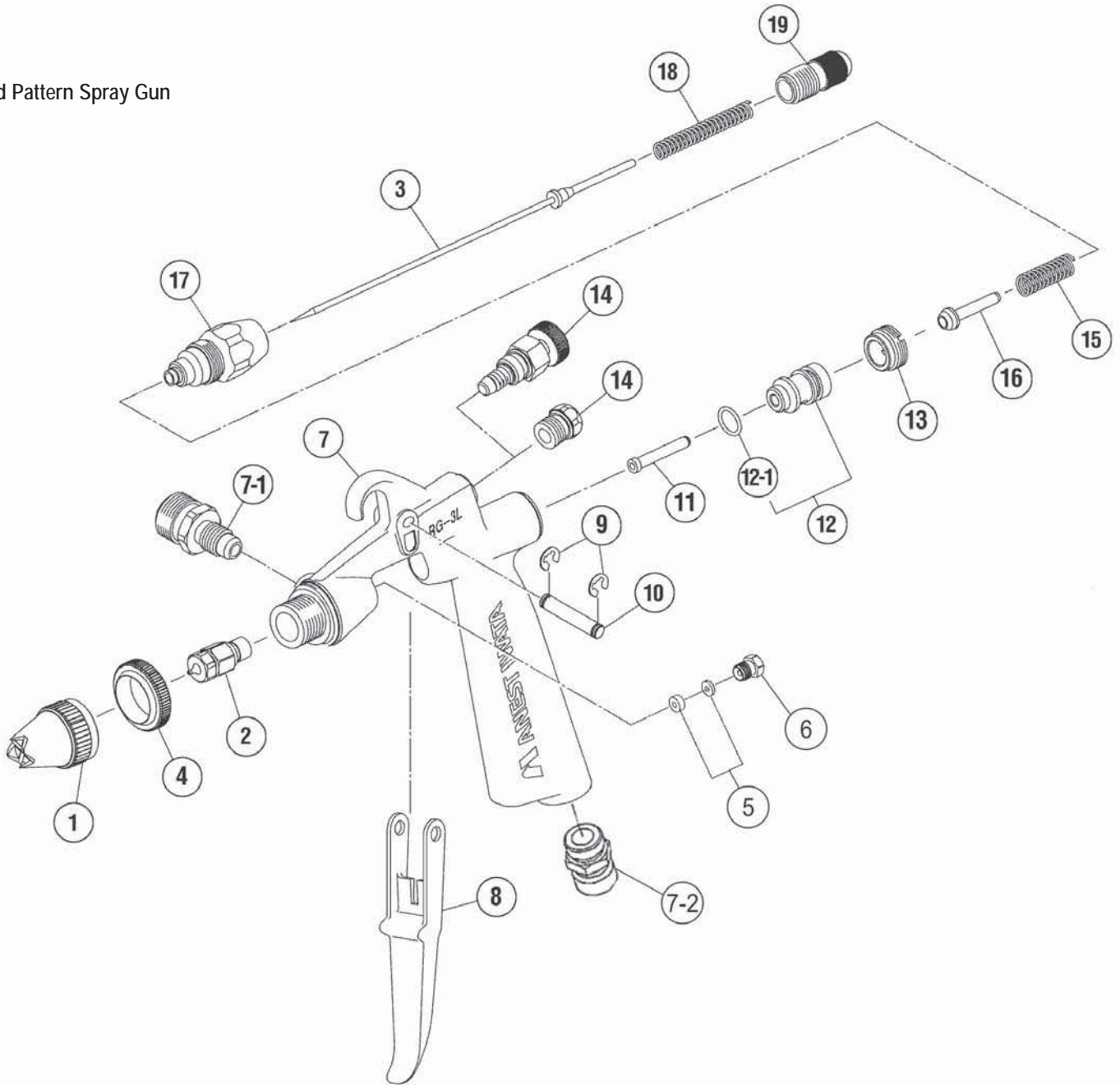


Manual Spray Guns

RG3L
Round Pattern
Spray Gun

Ref #	Part #	Description	Remarks
1	93022890	AIR CAP "1"	1/11
1	93025880	AIR CAP "2"	2/12
1	93026880	AIR CAP "3"	3/13
1	93023881	FAN PATTERN AIR CAP	S3
2	93042880	FLUID NOZZLE 0.4	1/11, MARKED AS 1
2	93041880	FLUID NOZZLE 0.6	2/12/S3, MARKED AS 2
2	93040890	FLUID NOZZLE 1.0	3/13, MARKED AS 3
3	93910880	FLUID NEEDLE 0.4	MARKED AS I
3	93937880	FLUID NEEDLE 0.6	MARKED AS II
3	93938880	FLUID NEEDLE 1.0	MARKED AS III
4	93028890	JAM NUT	
5	93940890	NEEDLE PACKING SET	SET WITH No.6
6	N/A	NEEDLE PACKING SEAT	
7	N/A	GUN BODY	
7-1	93005891	FLUID NIPPLE	1/4"
7-2	93660300	AIR NIPPLE	1/4"
8	93162890	TRIGGER	
9	93912030	STOPPER	2PCS/PACK
10	93167890	TRIGGER STUD	
11	93006880	AIR VALVE SHAFT	
12	93912880	AIR VALVE SEAT SET	
12-1	96638005	O RING	
13	93011880	AIR VALVE SEAT SCREW	
14	93027880	BLANKING PLUG	1/2/3/S3
14	93939880	AIR ADJUST SET	11/12/13
15	93012880	AIR VALVE SPRING	
16	93013880	AIR VALVE	
17	93936880	FLUID ADJUST GUIDE SET	
18	93015880	FLUID NEEDLE SPRING	
19	93017880	FLUID ADJUST KNOB	
	93538600	GUN WRENCH	
	2860	REPAIR SERVICE KIT	5, 6, 9, 12-1
	2950	MK5 MAINTENANCE KIT	

RG3L
Round Pattern Spray Gun



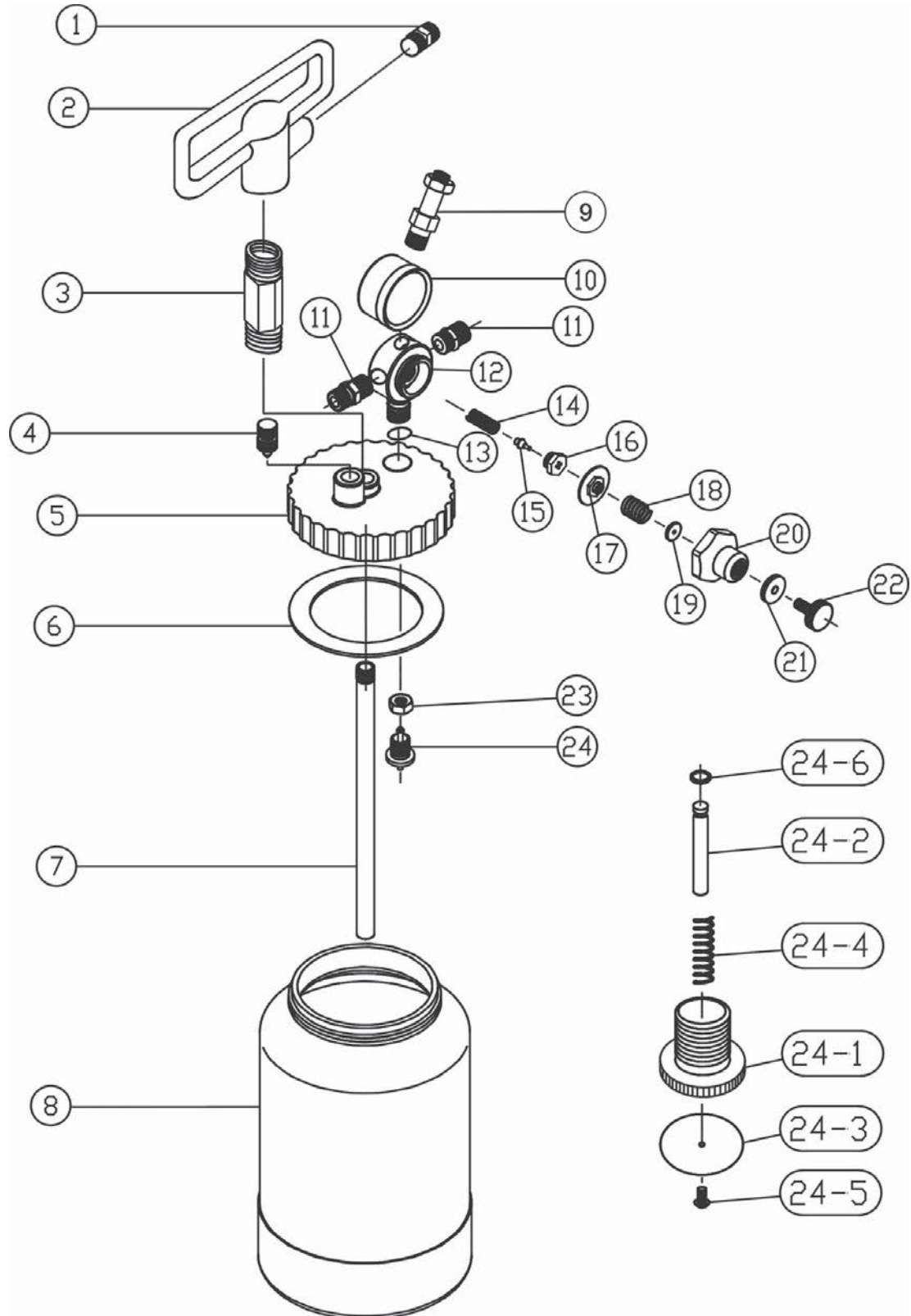


Cups & Containers

PC18D
Pressure Pot

Ref #	Part #	Description	Remarks
1	94056350	FLUID JOINT	3/8"BSP
2	94055350	HANDLE	
3	94057350	HANDLE JOINT	
4	94003350	AIR RELIEF VALVE	
5	94053350	LID	
6	94900210	LID PACKING	2PCS/PACK
7	94001350	SUCTION PIPE	
8	94000351	CONTAINER	
9	94007350	SAFETY VALVE SET	
10	94048400	PRESSURE GAUGE	
11	94027350	REGULATOR JOINT	1/4"BSP
12	94049350	AIR REGULATOR BODY	
13	96631012	O RING	
14	94016350	SPRING	
15	94017350	REGULATOR SEAT	
16	94018350	GUIDE	
17	94019350	DIAPHRAGM SET	
18	94023350	SPRING	
19	94038350	SPRING HOLDER	
20	94024350	CAP (BLUE)	
21	94025350	NUT	
22	94026350	KNOB	
23	94058350	NUT	
24	94904151	CHECK VALVE SET	
24-1	94030152	CHECK VALVE BODY	
24-2	94034210	CHECK VALVE STEM	
24-3	94035210	CHECK VALVE PLATE	
24-4	95104101	SPRING	
24-5	96162040	SCREW	
24-6	96612020	STOPPER	
	7970	AIR REGULATOR REPAIR KIT	14, 15, 16, 17, 18, 19

PC18D
Pressure Pot



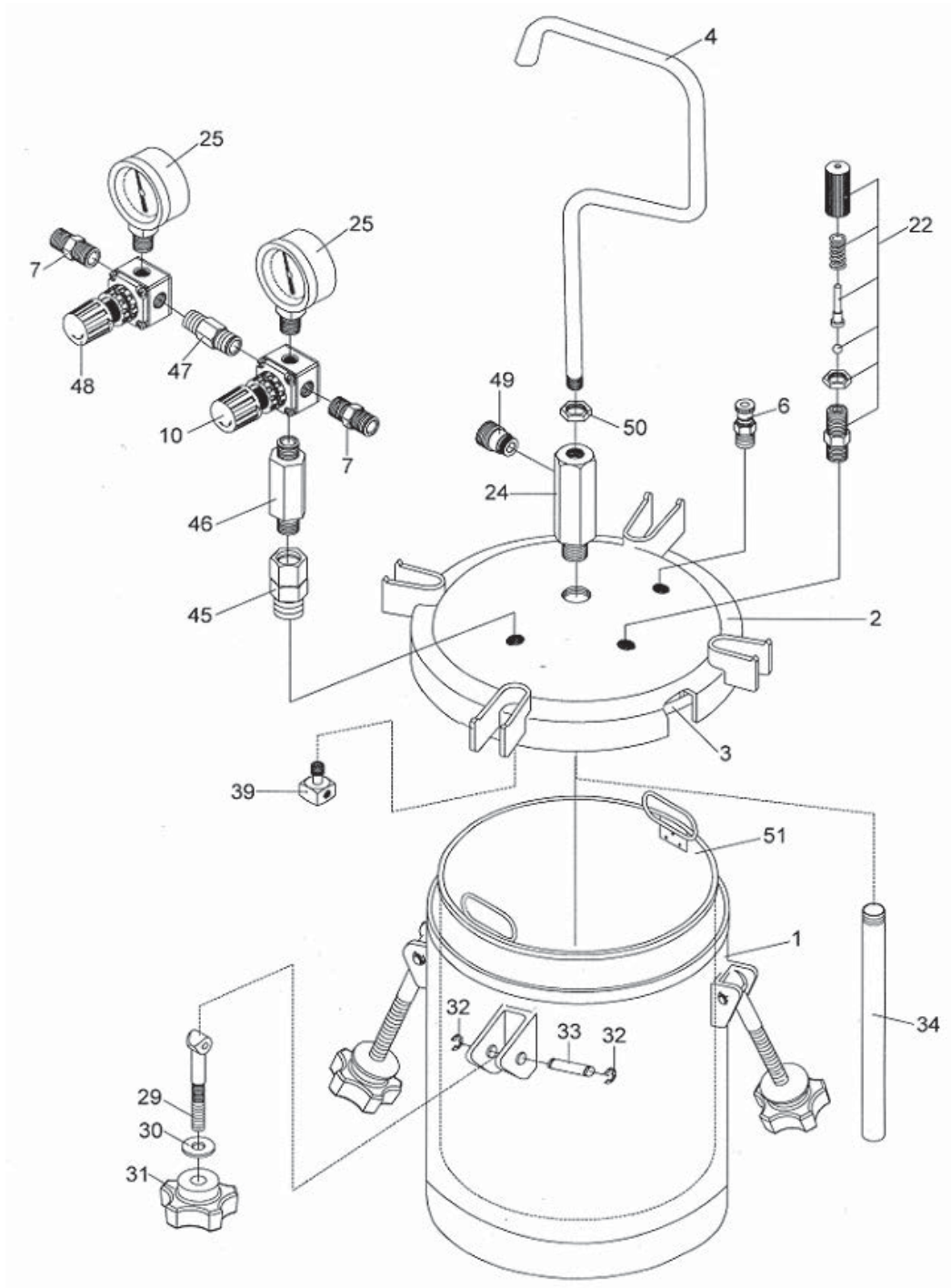


Cups & Containers

PET10
Pressure Tank

Ref #	Part #	Description	Remarks
1	04020000	MAIN BODY	
2	04020010	LID ASSEMBLY	
3	04020200	GASKET	
4	04020020	HANDLE	
6	04020030	RELEASE VALVE	
7	04020210	ADAPTER	G 1/4
10	04015180	PRESSURE REGULATOR	FOR TANK
22	04016390	SAFETY VALVE	
24	04020040	FLUID OUTLET	SST
25	04016020	PRESSURE GAUGE	
29	04020190	SCREW BOLT	
30	04020060	WASHER	
31	04020070	THUMB NUT	
32	04020220	C-SNAP RING	
33	04020230	COTTER PIN	
34	04020090	FLUID TUBE	SST, G 1/2"
39	04016310	AIR FLOW GUIDER	
45	04020100	ADAPTER	
46	04020110	ADAPTER	
47	04020120	ADAPTER	
48	04020130	PRESSURE REGULATOR	FOR SPRAY GUN
49	04020140	FLUID OUTLET ADAPTER	SST, G 3/8"
50	04020160	NUT	
51	04020170	INNER CONTAINER	SST

PET10
Pressure Tank





PCG/PC/PCL

Ref #	Part #	Description	Remarks
PCG7/10/4/2 Center Post Gravity Cup			
	94008321	LID	PCG7/10/4
	94007321	LID	PCG2
<hr/>			
PCG6P Plastic Cup			
	94002321	LID	
	94003320	VENT KNOB	
<hr/>			
PC4/4S/5/51/61 Side Gravity Cup			
	94001080	LID	PC4/4S
	94001100	LID	PC5
	94001181	LID	PC51 (SST)
	94001191	LID	PC61 (SST)
	94007321	PLASTIC LID	PC61 (OPTION)
	94000081	CONTAINER ONLY	PC4
	94000092	CONTAINER ONLY	PC4S
	94000100	CONTAINER ONLY	PC5
<hr/>			
PCL7B/10B Siphon Cup			
1	94017021	CAP NUT	PCL7B2/10B2, 1/4"
1	94017001	CAP NUT	PCL7B3/10B3, 3/8"
2	94012281	JOINT SEAT	PCL7B2/10B2
2	94024281	JOINT SEAT	PCL7B3/10B3
4		ARM	SUPPLIED AS 501
5		LEVER	SUPPLIED AS 501
6		LID	SUPPLIED AS 501
7	94008300	LID PACKING	2PCS/PACK
8	94904302	PC PLATE	2PCS/PACK
9		SUCTION PIPE	SUPPLIED AS 501
10	94904291	CONTAINER ONLY	PCL7B2/7B3
10	94904281	CONTAINER ONLY	PCL10B2/10B3
501	94901301	LID SET	PCL7B2
501	94901311	LID SET	PCL7B3
501	94901281	LID SET	PCL10B2
501	94901291	LID SET	PCL10B3
<hr/>			
PC19B Pressurized Container			
	94903170	LID PACKING	2PCS/PACK
	94000160	CONTAINER ONLY	

PCL7B/10B

