

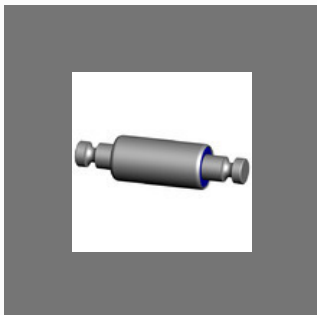


+91-8048372543

KV Tech India LLP

<https://www.indiamart.com/kvtech-india/>

Manufacturer & Exporter of Axle-Suspension-Brake Replacement Parts including Wheel Bearings & Hub Units for Volvo, Scania, Mercedes, MAN, DAF, Iveco, Renault, Fruehauf, BPW, Meritor ROR, Reyco, Mack, Freightliner, Peterbilt.



About Us

Innovation and Creativity are the drivers of growth in the new millennium. It enables a quantum leap to unimagined results and solutions. At K.V. Tech, a world-class Commercial Vehicle Components company, we believe in execution. You may call us insightful, as well with an elevated viewpoint, quality, client focus and larger global reach.

In 1978, **Mr. MANJIT S. SETHI** (Group Chairman) had a vision extending beyond manufacturing Quality auto components in a small town in Punjab. That initial vision expanded into full fledged units of Manufacturing and Exporting Truck, Trailer & Bus Components.

We at K.V. Tech are continuously develop new products and manufacture the whole range of Air and Mechanical Suspension, Wheel Bearings and Hub Units, Axle, Brake, Exhaust and Steering replacement parts. We also undertake the production as per buyer drawings and samples.

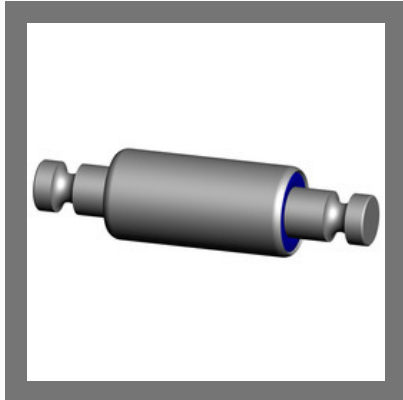
At center of our quality angle is computer aided design via I-DEAS, CAD, and computer aided manufacturing, coupled with modern quality processes viz SPC, FMEA, PPAP and APQP. This strengths our ability to deliver defect free products at no extra cost to the global automobile industry. We are now aiming TS 16949:2002. Mark Sethi
Managing Director

For more information, please visit

<https://www.indiamart.com/kvtech-india/profile.html>



SUSPENSION



Rubber Bushing MACK
10QK240M



Truck And Trailer
Suspension Parts



Trailer Suspension Parts
Hutch



Hendrickson Beam End
Bushing & Adapter Kit
21140034

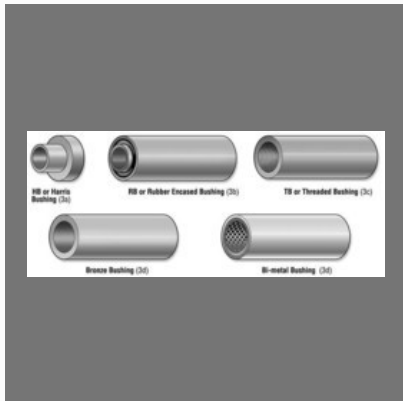
TRUCK, TRAILER AXLE AND SUSPENSION PARTS



Heavy Duty Truck
Suspension Parts Hutch



Volvo, Man. Scania etc
Truck Parts 39qk326



Rubber Encased Bushing
MACK Truck 10QK146



Hutch Rear Undermount
Hanger 770302

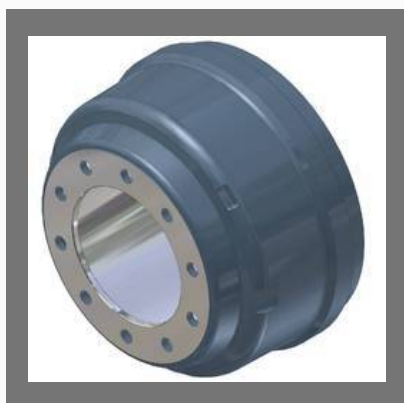
BRAKE PARTS



Spherical Bearing Bpw



Brake Camshaft Right



Heavy Duty Truck Trailer
Auto Parts MC Brake Drum



Camshaft Bearing Housing
for Grease Nipple Bpw

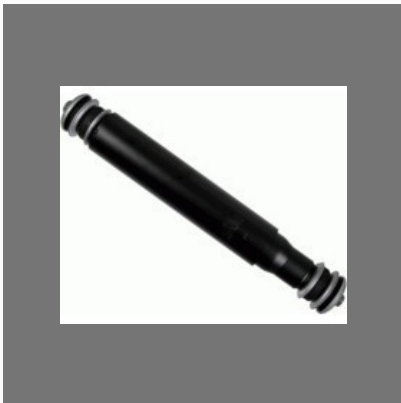
TRUCK, TRAILER AND BUS PARTS



Bogie Bearing Suitable For
R.V.I. 5010064735



Volvo, Scania, Mercedes,
MAN, DAF, Iveco, Renault
Heavy Duty Truck Parts



Shock Absorber Suitable
For Iveco

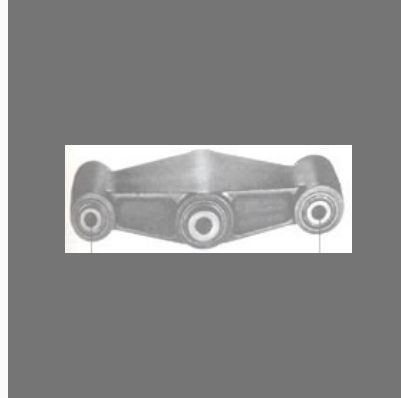


Shock Absorber Suitable
For BPW

TRUCK SUSPENSION AND STEERING PARTS



Volvo 3091587 Rubber Bushing



Hendrickson Truck Equalizer 47444001



Rubber Bushing, Spring Suitable for Hendrickson 59259002



Man Rubber Bushing Half-Rear

AXLE



Rubber Bushing, Balance Arm Axle For Meritor Ror



Spherical Bearing, Brake Cam Shaft Suitable For Ror-Meritor

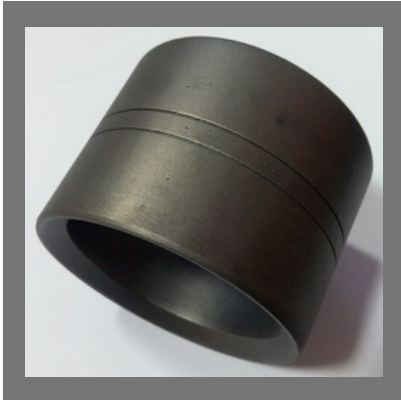


Rubber Bushing



Hendrickson Walking Beam Shims 50130

FIFTH WHEEL COMPONENTS



Bushing, Trailer Coupling
Suitable For Rockinger



Lock Jaw, Fifth Wheel For
Jost SK1489Z



Spring



Fifth Wheel Components

STEERING



Ball Joint Suitable for IVECO



Ball Joint Suitable for Scania 1384624



Drag link Suitable (Scania 1356055)



Ball Joint Suitable For MACK 10QH248P4

OTHER PRODUCTS:



Hendrickson Trailer
Hanger 311281



Bushing Rubber



Retainer, Brake Cam Shaft
Suitable for
Kassbohrer8241999



Shock Absorber Suitable
For SAF (Sauer)

OTHER PRODUCTS:



Shock Absorber Suitable for MERITOR-ROR



Repair Kit, Spring Suitable For SAF (Sauer)



Jost SK3121072Z Repair Kit, Fifth Wheel



Ball Joint, Suitable For Mercedes Benz
0004604548

Factsheet

Year of Establishment : 1955

Nature of Business : Exporter and Manufacturer

Total Number of Employees : 101 to 500 People



CONTACT US

KV Tech India LLP

Contact Person: Manpreet Singh

Unit no. H-233, 2nd Floor, Kanakia Zillion, BKC Annexe, L.B.S. Marg, CST Road
Junction, Kurla Wes

Mumbai - 400070, Maharashtra, India



+91-8048372543



<https://www.indiamart.com/kvtech-india/>