

**Florida • 3000psi**



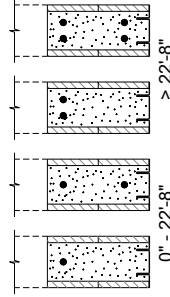
***L2 Lintel Engineering***

**PS8 • 16ga.**

***October 2017***

# PS8 Lintels

8" inch block width



By: sws  
Date: 10/2017  
chk: gcs

WITHOUT STIRRUPS (L2)

LINTEL LOAD TABLE (IN POUNDS PER LINEAL FOOT)  
Gravity Load Table  
3000 psi grout

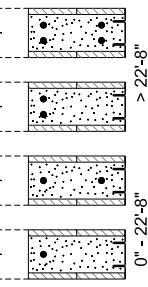
--- ALL LOADS ARE SUPERIMPOSED ---

SPAN (ft)	PS8-8" #5 top	PS8-8" #5 top&bot	PS8-12" #5 top	PS8-12" #5 top&bot	PS8-16" #5 top	PS8-16" #5 top&bot	PS8-20" #5 top	PS8-20" #5 top&bot	PS8-24" #5 top	PS8-24" #5 top&bot	PS8-32" #5 top	PS8-32" #5 top&bot	PS8-40" #5 top	PS8-40" #5 top&bot	PS8-48" #5 top	PS8-48" #5 top&bot	SPAN (ft)
1'-6"	8945	8945	10746	10746	8650	8650	8007	8007									1'-6"
2'-2"	6174	6174	7412	7412	7006	7006	8007	8007									2'-2"
2'-8"	5005	5005	6005	6005	5881	5881	6720	6720	7558	7558	9235	9235					2'-8"
3'-2"	4205	4205	5043	5043	4632	4632	5290	5290	5947	5947	7263	7263					3'-2"
4'-0"	3316	3316	3974	3974	4104	4104	4686	4686	5267	5267	6431	6431					4'-0"
4'-6"	2941	2941	3522	3522	3559	3559	4062	4062	4565	4565	5571	5571					4'-6"
5'-2"	2553	2553	3056	3056	2963	2963	3380	3380	3797	3797	4631	4631	5464	5464			5'-2"
6'-2"	1957	1957	2546	2546	2596	2596	2960	2960	3324	3324	4052	4052	4780	4780			6'-2"
7'-0"	1505	1505	2232	2232	2257	2257	2572	2572	2887	2887	3517	3517	4147	4147			7'-0"
8'-0"	1138	1138	1942	1942	1955	1955	2226	2226	2497	2497	3040	3040	3583	3583			8'-0"
9'-2"	777	777	1670	1683	1782	1782	2028	2028	2275	2275	2767	2767	3260	3260			9'-2"
10'-0"	599	599	1389	1424	1550	1550	1801	1801	2019	2019	2454	2454	2890	2890			10'-0"
11'-2"	430	430	1016	1016	1326	1326	1666	1666	1867	1867	2268	2268	2669	2669			11'-2"
12'-0"	346	346	819	819	1178	1178	1525	1525	1759	1759	2136	2136	2514	2514			12'-0"
12'-8"	295	295	696	696	1052	1052	1362	1362	1663	1663	2018	2018	2374	2374			12'-8"
13'-4"	253	253	597	597	943	943	1179	1179	1500	1500	1911	1911	2247	2247			13'-4"
14'-0"	218	218	516	516	695	695	901	901	1108	1108	1521	1521	1930	1930			14'-0"
16'-0"			345	345	524	524	681	681	839	839	1154	1154	1469	1469			16'-0"
18'-0"			243	243	479	479	623	623	768	768	1057	1057	1346	1346			18'-0"
18'-8"					369	369	482	482	594	594	820	820	1045	1045			18'-8"
20'-8"					287	287	376	376	465	465	643	643	821	821			20'-8"
22'-8"					248	248	324	324	401	401	553	553	706	706			22'-8"
24'-0"					255	255	324	324	401	401	553	553	706	706			24'-0"
26'-0"							255	255	316	316	438	438	559	559			26'-0"

Note: All lintels greater than 22'-8" in length will require (2)-#5 bars top or (2)-#5 bars top&bot.



# PS8 Lintels



By: sws  
Date: 10/2017  
chk: gcs

WITHOUT STIRRUPS (L2)

8" inch block width  
LINTEL LOAD TABLE (IN POUNDS PER LINEAL FOOT)  
Gravity Load Table  
3000 psi grout  
--- ALL LOADS ARE SUPERIMPOSED ---

SPAN (ft)	PS8-8" #5 top	PS8-8" #5 top&bot	PS8-12" #5 top	PS8-12" #5 top&bot	PS8-16" #5 top	PS8-16" #5 top&bot	PS8-20" #5 top	PS8-20" #5 top&bot	PS8-24" #5 top	PS8-24" #5 top&bot	PS8-32" #5 top	PS8-32" #5 top&bot	PS8-40" #5 top	PS8-40" #5 top&bot	PS8-48" #5 top	PS8-48" #5 top&bot	SPAN (ft)
28'-0"							200	375	248	472	346	667	443	863	540	1058	150064
30'-0"						155	308	194	389	271	552	349	715	426	877		
32'-0"										211	457	272	594	333	730		
34'-0"												208	493	256	608	150064	
36'-0"														192	505		
38'-0"																	
40'-0"																	40'-0"

Note: All lintels greater than 22'-8" in length will require (2)-#5 bars top or (2)-#5 bars top&bot.

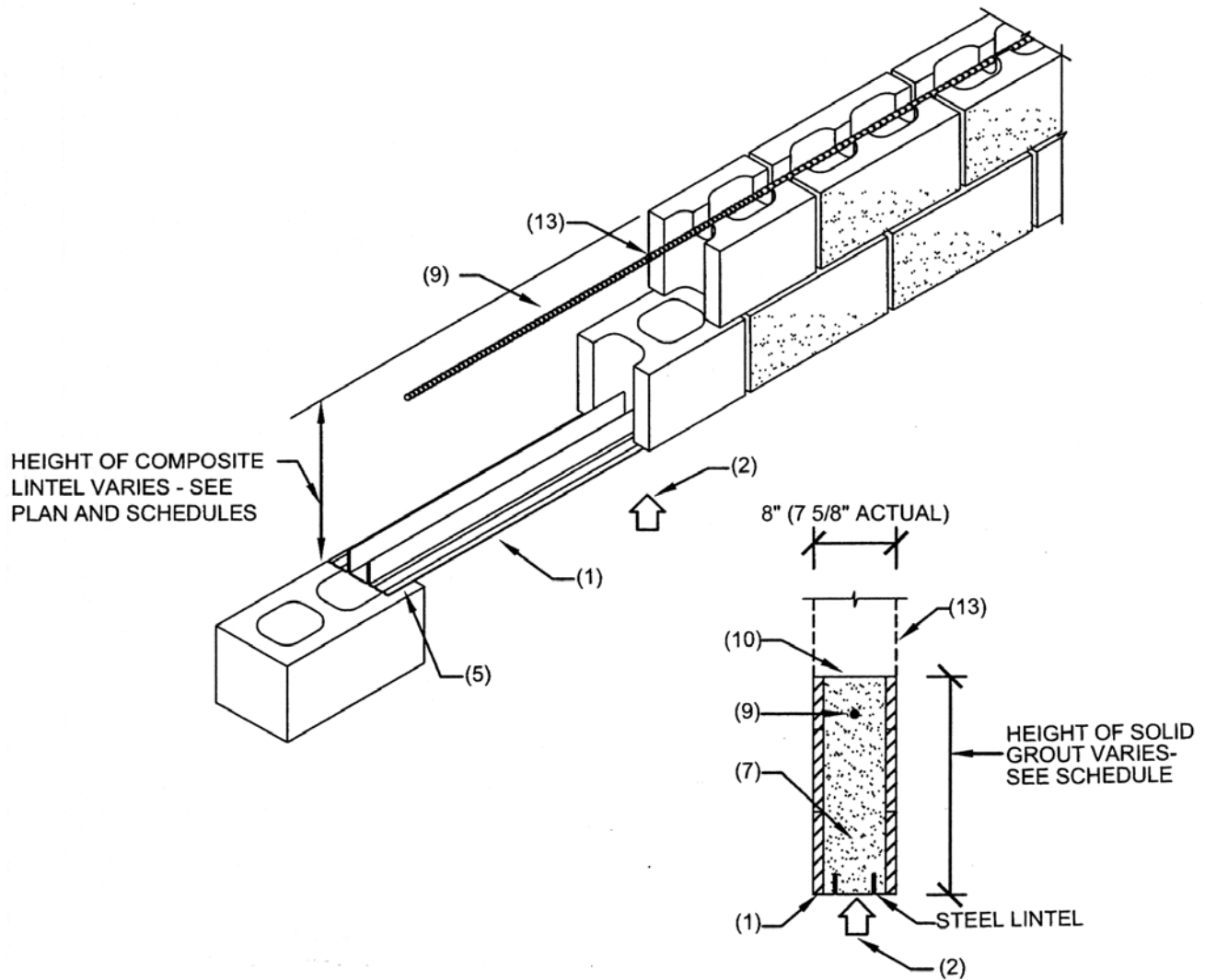


# Powers Steel Product Lintel

LINTEL DESCRIPTION W/O STIRRUPS

INDICATES HEIGHT OF GROUT

## PS8 - 16" (L-2)

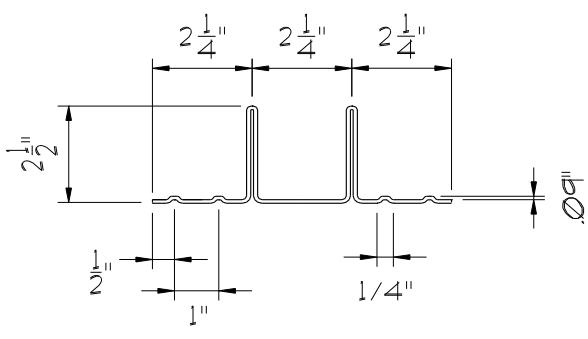
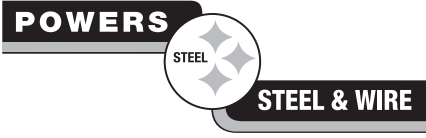


## S.E. CONSULTANTS, INC.

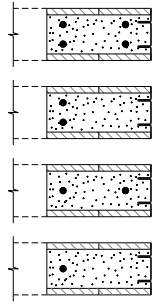


5800 E. THOMAS ROAD, SUITE 104  
SCOTTSDALE, ARIZONA 85251  
(480) 946-2010 FAX: (480) 946-1909

**NOTES: PS8(L-2) Gravity – 16 Gage**

<p>1. PRODUCT NAME (PATENT NO. 5465538);</p> <p>PREFORMED POWERS STEEL LINTEL SHALL BE GALVANIZED COIL STEEL AS MANUFACTURED BY POWERS STEEL AND WIRE PRODUCTS, INC. STEEL GRADE SHALL BE ASTM A570 GRADE C (FY = 40 ksi).</p> <p>2. SHORE LINTELS AS REQUIRED TO COMPENSATE FOR DEAD LOAD DEFLECTION ON NON-CURED MASONRY GROUT. ALL LINTELS GREATER THAN 18'-0" ARE BUILT WITH 1/2" CAMBER.</p> <p>3. LINTEL TO BE USED WITH BRICK OR CONCRETE MASONRY UNITS HAVING MINIMUM f'm AS SHOWN.</p> <p>4. STEEL SURFACES IN CONTACT WITH GROUT AND/OR MORTAR SHALL BE UNPAINTED AND FREE OF MATERIAL THAT MIGHT INHIBIT BOND.</p> <p>5. BEARING EACH END SHALL BE 3" +/- 1/2". BEARING SHALL BE ON A MINIMUM 8" DEEP GROUTED CELL PER THE STANDARD BUILDING CODE.</p> <p>6. f'm = 1500 psi. MASONRY UNITS SHALL CONFORM TO ASTM C90, GRADE N.</p> <p>7. GROUT = 3,000 psi. SLUMP RANGE: 8" TO 11". ROD OR VIBRATE GROUT ADEQUATELY TO ENSURE CONSOLIDATION OF GROUT (NO AIR POCKETS). GROUT SHALL COMPLY WITH ASTM C476-83 AND BE EITHER COARSE OR FINE GROUT.</p> <p>8. MORTAR: TYPE "S" OR TYPE "M" 1800 psi.</p> <p>9. TOP REINFORCING OR TOP OF WALL REINFORCING, IS REQUIRED BY CODES TO PROVIDE A CONTINUOUS TIE AROUND A STRUCTURE AND TO PROVIDE FOR UPLIFT RESISTANCE AT LINTELS.</p> <p>10. ATTACHMENTS TO TOP OF WALL PER ARCHITECTURAL AND/OR ENGINEERING DRAWINGS.</p> <p>11. LIMITATIONS:</p> <p>THE LINTELS SHALL NOT EXCEED THE ALLOWABLE DESIGN LOADS AND SPANS SHOWN IN THIS REPORT.</p> <p>THE LINTELS SHALL NOT BE USED IN A FIRE RESISTANCE RATED ASSEMBLY UNLESS A TEST REPORT DOCUMENTING FIRE RESISTANCE IS SUBMITTED TO THE BUILDING OFFICIAL.</p> <p>A PROPER BARRIER IS REQUIRED WHEN USING CORROSIVE LUMBER PRODUCTS IN CONTACT WITH THE STEEL LINTELS. A PROPER BARRIER WOULD BE A POLYETHYLENE BARRIER WITH A 10 MIL THICKNESS OR TO MAINTAIN A MIN. 1/4" SPACING BETWEEN THE CORROSIVE LUMBER AND STEEL LINTEL.</p> <p>NOT FOR USE IN THE HVHZ IN MIAMI OR BROWARD COUNTIES AT THIS TIME. MIAMI DADE COMPLIANCE IS BEING SOUGHT.</p> <p>12. DEFLECTION LIMITS ARE SET TO L/600 FOR ALL LOADS SHOWN ABOVE THE DARKENED SOLID LINE. DEFLECTION LIMITS ARE SET TO L/360 [LIVE LOAD] AND L/240 [DEAD + LIVE LOAD] FOR ALL LOADS SHOWN BELOW DARKENED SOLID LINE, EXCEPT 8" COMPOSITE LINTELS WHICH ARE SET TO L/240 [LIVE LOAD] AND L/180 [DEAD + LIVE LOAD].</p> <p>13. ALL LOADS SHOWN IN TABLES ARE SUPERIMPOSED LOADS. TABLES ARE DATED 10/2017 AND CLEARLY INDICATE SUPERIMPOSED LOADS</p>	<p>14. A #5 REINFORCING BAR(S) GRADE 40 IS TO SET APPROX. 1-1/2" FROM TOP OF ALL LINTEL DESIGNS AND IN SOME CASES ON THE BOTTOM OF LINTEL AS SHOWN ON LOAD TABLES. TOP HORIZONTAL REINFORCEMENT IS TO BE A CONTINUOUS TIE AS NOTED IN NOTE #9. IN THE CASE THAT THE LINTEL IS NOT WITHIN A COMPOSITE BOND BEAM SYSTEM, TOP HORIZONTAL REINFORCEMENT IS TO EXTEND 2'-0" PAST INSIDE OF JAMBS.</p> <p>15. MANUFACTURER:</p> <p><b>POWERS STEEL</b>  4118 E. ELWOOD PHOENIX, AZ 85040  PH# (602) 437-1160 FAX# (602) 437-5409</p> <p>16. TECHNICAL DATA AND ENGINEERING POWERS LINTELS HAVE BEEN DESIGNED IN ACCORDANCE WITH THE FOLLOWING:</p> <p>+ FLORIDA BUILDING CODE – 2017 (SIXTH EDITION)  + NASPEC / AISI LIGHT GAGE COLD FORMED STEEL DESIGN - 2012  + ACI 530-13/ASCE 5-13/TMS 402-13</p> <p>17. TECHNICAL ASSISTANCE IS AVAILABLE FROM THE MANUFACTURER ON SPECIAL DESIGN CONCERNS OR LINTEL DEPTHS DIFFERENT THAN THOSE SHOWN IN THE LOAD TABLES.</p> <p>STRUCTURAL ENGINEER FOR THESE LINTELS IS:</p> <p><b>S.E. CONSULTANTS, INC.</b>  5800 E. THOMAS RD. SUITE 104  SCOTTSDALE, AZ 85251  PHONE (480) 946-2010  FAX (480) 946-1909</p> <p>IF AN INSPECTOR, CONTRACTOR, SUBCONTRACTOR, OR PLANS EXAMINER HAS ANY TECHNICAL QUESTIONS PLEASE CALL.</p> <p>18. INSTALLATION:  POWERS LINTELS ARE TO BE INSTALLED IN ACCORDANCE WITH STANDARD CONSTRUCTION PRACTICES, SET TO PROPER LINE AND LEVEL, PLUMB AND TRUE, AND IN CORRECT RELATION TO OTHER WORK.</p>  <p><b>PS8(L-2) STEEL LINTELS</b>  NOTE: NO SCALE  16 GAGE IS .060 INCHES THICK.</p> 
--	---

By: SWS  
Date: 10/2017  
chk: gcs



# PS8 Lintels

8" inch block width

WITHOUT STIRRUPS (L2)

LINTEL LOAD TABLE (IN POUNDS PER LINEAL FOOT)  
Lateral Load Table  
3000 psi grout

--- ALL LOADS ARE SUPERIMPOSED ---

SPAN (ft)	PS8-8" w/ #5	PS8-12" w/ #5	PS8-16" w/ #5	PS8-20" w/ #5	PS8-24" w/ #5	PS8-24" w/ #5	PS8-32" w/ #5	PS8-40" w/ #5	PS8-48" w/ #5	SPAN (ft)
1'-6"	9008	9850	10716	8029	8649	8649	9908			1'-6"
2'-2"	5763	6819	7418	6072	7027	7027	7913	8996	10140	2'-2"
2'-8"	3804	4628	5378				8254			2'-8"
3'-2"	2698	3282	3814	4306	4766	4940	5611	6380	7461	3'-2"
4'-0"	1691	2057	2390	2699	2987	3096	3517	3998	4676	4'-0"
4'-6"	1336	1625	1889	2132	2360	2446	2779	3159	3695	4'-6"
5'-2"	1013	1233	1433	1618	1790	1856	2108	2397	2803	5'-2"
6'-2"	711	865	1006	1135	1257	1303	1480	1682	1967	6'-2"
7'-0"	552	672	781	881	975	1011	1148	1306	1527	7'-0"
8'-0"	423	514	598	675	747	774	879	1000	1169	8'-0"
9'-2"	322	392	455	514	569	590	670	761	890	9'-2"
10'-0"	271	329	382	432	478	495	563	640	748	10'-0"
11'-2"	217	264	307	346	383	397	451	513	600	11'-2"
12'-0"	188	229	266	300	332	344	391	444	520	12'-0"
12'-8"	169	205	238	269	298	309	351	399	466	12'-8"
13'-4"	152	185	215	243	269	279	317	360	421	13'-4"
14'-0"	138	168	195	220	244	253	287	326	382	14'-0"
16'-0"		129	149	169	187	194	220	250	292	16'-0"
18'-0"		102	118	133	148	153	174	197	231	18'-0"
18'-8"			110	124	137	142	161	184	215	18'-8"
20'-8"			90	101	112	116	132	150	175	20'-8"
22'-8"			74	84	93	96	110	125	146	22'-8"
24'-0"			68	77	86	90	102	116	140	24'-0"
26'-0"				66	73	77	87	99	119	26'-0"

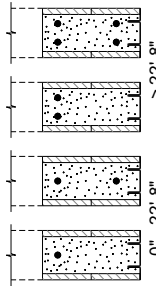
Note: Above loads include 1/3 increase for wind.

All lintels greater than 22'-8" in length will require (2)-#5 bars top or (2)-#5 bars top&butt.





By: sws  
 Date: 10/2017  
 chk: gcs



## PS8 Lintels

8" inch block width

LINTEL LOAD TABLE (IN POUNDS PER LINEAL FOOT)

Lateral Load Table 3000 psi grout

--- ALL LOADS ARE SUPERIMPOSED ---

WITHOUT STIRRUPS (L2)

SPAN (ft)	PS8-8" w/ #5	PS8-12" w/ #5	PS8-12" w/ #5	PS8-16" w/ #5	PS8-16" w/ #5	PS8-20" w/ #5	PS8-20" w/ #5	PS8-24" w/ #5	PS8-24" w/ #5	PS8-32" w/ #5	PS8-32" w/ #5	PS8-40" w/ #5	PS8-40" w/ #5	PS8-48" w/ #5	PS8-48" w/ #5	SPAN (ft)
28'-0"						57	59	63	66	75	79	86	91	95	103	28'-0"
30'-0"						50	52	55	58	65	69	75	80	83	89	30'-0"
32'-0"										57	61	65	70	73	79	32'-0"
34'-0"												58	62	65	70	34'-0"
36'-0"														58	62	36'-0"
38'-0"																38'-0"
40'-0"																40'-0"

Note: Above loads include 1/3 increase for wind.

All lintels greater than 22'-8" in length will require (2)-#5 bars top or (2)-#5 bars top&butt.

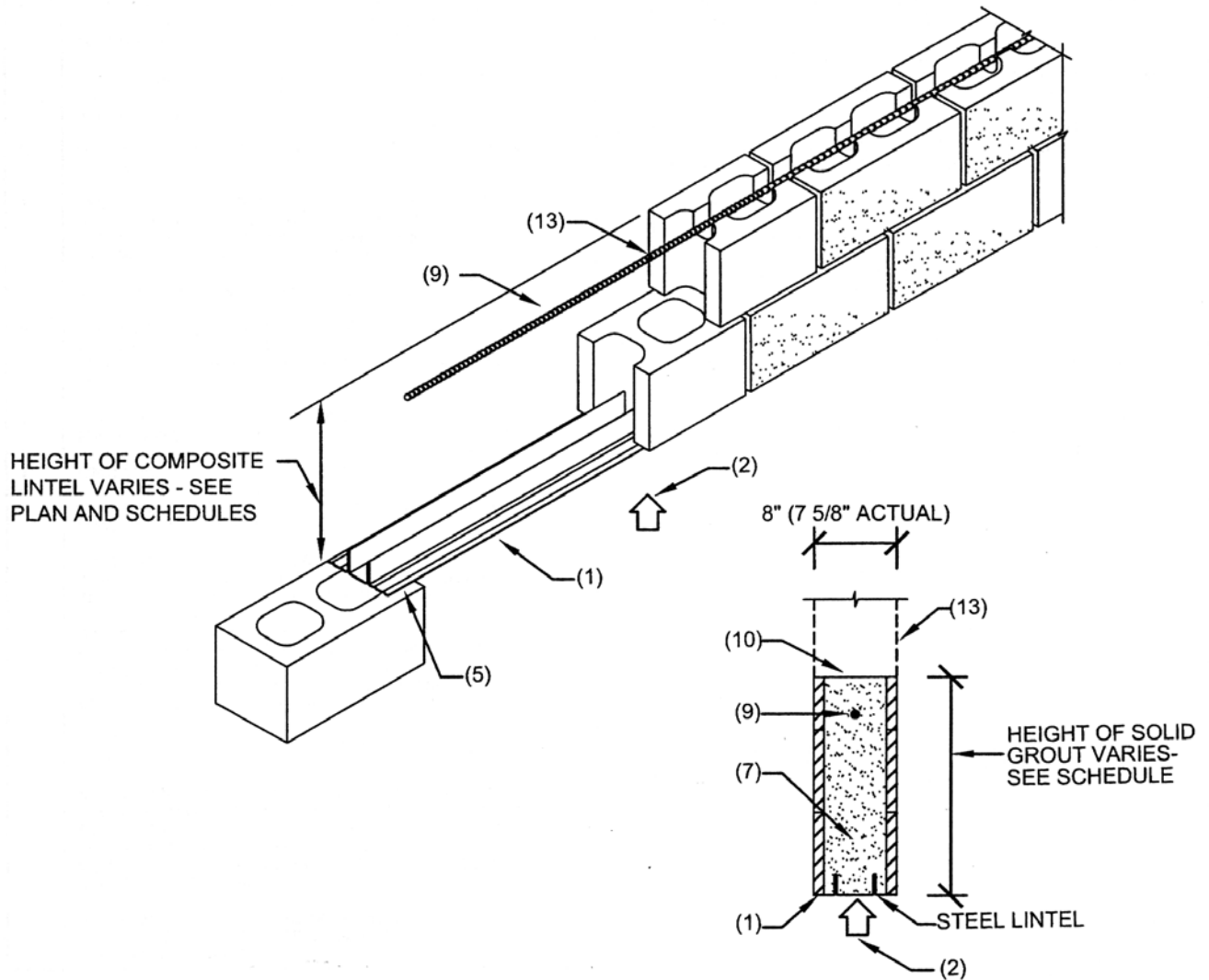


# Powers Steel Product Lintel

LINTEL DESCRIPTION W/O STIRRUPS

INDICATES HEIGHT OF GROUT

PS8 - 16" (L-2)



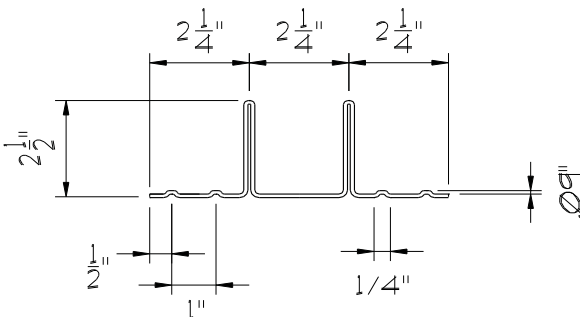
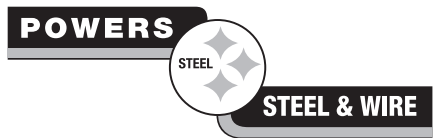
## S.E. CONSULTANTS, INC.



5800 E. THOMAS ROAD, SUITE 104  
SCOTTSDALE, ARIZONA 85251  
(480) 946-2010 FAX: (480) 946-1909



# NOTES: PS8(L-2) Lateral/Uplift – 16 Gage

<p>1. PRODUCT NAME (PATENT NO. 5465538);</p> <p>PREFORMED POWERS STEEL LINTEL SHALL BE GALVANIZED COIL STEEL AS MANUFACTURED BY POWERS STEEL AND WIRE PRODUCTS, INC. STEEL GRADE SHALL BE ASTM A570 GRADE C (FY = 40 ksi).</p> <p>2. SHORE LINTELS AS REQUIRED TO COMPENSATE FOR DEAD LOAD DEFLECTION ON NON-CURED MASONRY GROUT. ALL LINTELS GREATER THAN 18'-0" ARE BUILT WITH 1/2" CAMBER.</p> <p>3. LINTEL TO BE USED WITH BRICK OR CONCRETE MASONRY UNITS HAVING MINIMUM <math>f'm</math> AS SHOWN.</p> <p>4. STEEL SURFACES IN CONTACT WITH GROUT AND/OR MORTAR SHALL BE UNPAINTED AND FREE OF MATERIAL THAT MIGHT INHIBIT BOND.</p> <p>5. BEARING EACH END SHALL BE 3" +/- 1/2". BEARING SHALL BE ON A MINIMUM 8" DEEP GROUTED CELL PER THE STANDARD BUILDING CODE.</p> <p>6. <math>f'm</math> = 1500 psi. MASONRY UNITS SHALL CONFORM TO ASTM C90, GRADE N.</p> <p>7. GROUT = 3,000 psi. SLUMP RANGE: 8" TO 11". ROD OR VIBRATE GROUT ADEQUATELY TO ENSURE CONSOLIDATION OF GROUT (NO AIR POCKETS). GROUT SHALL COMPLY WITH ASTM C476-83 AND BE EITHER COARSE OR FINE GROUT.</p> <p>8. MORTAR: TYPE "S" OR TYPE "M" 1800 psi.</p> <p>9. TOP REINFORCING OR TOP OF WALL REINFORCING, IS REQUIRED BY CODES TO PROVIDE A CONTINUOUS TIE AROUND A STRUCTURE AND TO PROVIDE FOR UPLIFT RESISTANCE AT LINTELS.</p> <p>10. ATTACHMENTS TO TOP OF WALL PER ARCHITECTURAL AND/OR ENGINEERING DRAWINGS.</p> <p>11. LIMITATIONS:</p> <p>THE LINTELS SHALL NOT EXCEED THE ALLOWABLE DESIGN LOADS AND SPANS SHOWN IN THIS REPORT.</p> <p>THE LINTELS SHALL NOT BE USED IN A FIRE RESISTANCE RATED ASSEMBLY UNLESS A TEST REPORT DOCUMENTING FIRE RESISTANCE IS SUBMITTED TO THE BUILDING OFFICIAL.</p> <p>A PROPER BARRIER IS REQUIRED WHEN USING CORROSIVE LUMBER PRODUCTS IN CONTACT WITH THE STEEL LINTELS. A PROPER BARRIER WOULD BE A POLYETHYLENE BARRIER WITH A 10 MIL THICKNESS OR TO MAINTAIN A MIN. 1/4" SPACING BETWEEN THE CORROSIVE LUMBER AND STEEL LINTEL.</p> <p>NOT FOR USE IN THE HVHZ IN MIAMI OR BROWARD COUNTIES AT THIS TIME. MIAMI DADE COMPLIANCE IS BEING SOUGHT.</p> <p>12. ALLOWABLE LOADS SHOWN IN THE TABLES FOR UPLIFT AND LATERAL LOAD CAPACITY INCLUDE A 1/3 INCREASE FOR WIND OR SEISMIC LOADING WITH NO FURTHER INCREASE ALLOWED. IF COMBINED LOADING CONDITIONS ARE APPLIED TO THE LINTELS FOR SIMULTANEOUS LOADING DIRECTIONS, THE ALLOWABLE LOADS SHOWN IN THE TABLES MUST BE ADJUSTED USING A UNITY EQUATION.</p> <p>13. ALL LOADS SHOWN IN TABLES ARE SUPERIMPOSED LOADS. TABLES ARE DATED 10/2017 AND CLEARLY INDICATE SUPERIMPOSED LOADS</p>	<p>14. A #5 REINFORCING BAR(S) GRADE 40 IS TO SET APPROX. 1-1/2" FROM TOP OF ALL LINTEL DESIGNS AND IN SOME CASES ON THE BOTTOM OF LINTEL AS SHOWN ON LOAD TABLES. TOP HORIZONTAL REINFORCEMENT IS TO BE A CONTINUOUS TIE AS NOTED IN NOTE #9. IN THE CASE THAT THE LINTEL IS NOT WITHIN A COMPOSITE BOND BEAM SYSTEM, TOP HORIZONTAL REINFORCEMENT IS TO EXTEND 2'-0" PAST INSIDE OF JAMBS.</p> <p>15. MANUFACTURER:</p> <p><b>POWERS STEEL</b> 4118 E. ELWOOD PHOENIX, AZ 85040 PH# (602) 437-1160 FAX# (602) 437-5409</p> <p>16. TECHNICAL DATA AND ENGINEERING POWERS LINTELS HAVE BEEN DESIGNED IN ACCORDANCE WITH THE FOLLOWING:</p> <p>+ FLORIDA BUILDING CODE – 2017 (SIXTH EDITION) + NASPEC / AISI LIGHT GAGE COLD FORMED STEEL DESIGN - 2012 + ACI 530-13/ASCE 5-13/TMS 402-13</p> <p>17. TECHNICAL ASSISTANCE IS AVAILABLE FROM THE MANUFACTURER ON SPECIAL DESIGN CONCERNS OR LINTEL DEPTHS DIFFERENT THAN THOSE SHOWN IN THE LOAD TABLES.</p> <p>STRUCTURAL ENGINEER FOR THESE LINTELS IS:</p> <p><b>S.E. CONSULTANTS, INC.</b> 5800 E. THOMAS RD. SUITE 104 SCOTTSDALE, AZ 85251 PHONE (480) 946-2010 FAX (480) 946-1909</p> <p>18. IF AN INSPECTOR, CONTRACTOR, SUBCONTRACTOR, OR PLANS EXAMINER HAS ANY TECHNICAL QUESTIONS PLEASE CALL.</p> <p>INSTALLATION: POWERS LINTELS ARE TO BE INSTALLED IN ACCORDANCE WITH STANDARD CONSTRUCTION PRACTICES, SET TO PROPER LINE AND LEVEL, PLUMB AND TRUE, AND IN CORRECT RELATION TO OTHER WORK.</p>  <p><b>PS8(L-2) STEEL LINTELS</b></p> <p>NOTE: NO SCALE 16 GAGE IS .060 INCHES THICK.</p> 
--	---

WITHOUT STIRRUPS (L2)

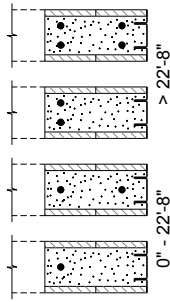
**PS8 Lintels**

8" inch block width

LINTEL LOAD TABLE (IN POUNDS PER LINEAL FOOT)

Uplift Load Table  
3000 psi grout

--- ALL LOADS ARE SUPERIMPOSED ---



By: SWS

Date: 10/2017

chk: gcs

SPAN (ft)	PS8-8" #5 top	PS8-8" #5 top&bot	PS8-12" #5 top	PS8-12" #5 top&bot	PS8-16" #5 top	PS8-16" #5 top&bot	PS8-20" #5 top	PS8-20" #5 top&bot	PS8-24" #5 top	PS8-24" #5 top&bot	PS8-32" #5 top	PS8-32" #5 top&bot	PS8-40" #5 top	PS8-40" #5 top&bot	PS8-48" #5 top	PS8-48" #5 top&bot	SPAN (ft)
1'-6"	10411	10411	12358	12358	14334	14334	11330	11330	12724	12724	12644	12644					1'-6"
2'-2"	7218	7218	8571	8571	9945	9945	9222	9222	10358	10358							2'-2"
2'-8"	4835	4835	6974	6974	8093	8093	5041	5041	6089	6089	12644	12644					2'-8"
3'-2"	3439	3439	5881	5881	6826	6826	7779	7779	8738	8738	10669	10669	12611	12611	14561	14561	3'-2"
4'-0"	2169	2169	3742	3742	5044	5044	6177	6177	6939	6939	8475	8475	10019	10019	11570	11570	4'-0"
4'-6"	1721	1721	2967	2967	4000	4000	5041	5041	6089	6089	7548	7548	8925	8925	10307	10307	4'-6"
5'-2"	1314	1314	2264	2264	3051	3051	3845	3845	4644	4644	6253	6253	7795	7795	9003	9003	5'-2"
6'-2"	933	933	1605	1605	2162	2162	2725	2725	3291	3291	4430	4430	5575	5575	6726	6726	6'-2"
7'-0"	732	732	1257	1257	1694	1694	2134	2134	2577	2577	3468	3468	4365	4365	5265	5265	7'-0"
8'-0"	569	569	975	975	1313	1313	1654	1654	1997	1997	2687	2687	3382	3382	4079	4079	8'-0"
9'-2"	442	442	755	755	1016	1016	1280	1280	1546	1546	2079	2079	2616	2616	3155	3155	9'-2"
10'-0"	377	377	643	643	865	865	1089	1089	1315	1315	1769	1769	2226	2226	2684	2684	10'-0"
11'-2"	309	309	526	526	707	707	891	891	1075	1075	1446	1446	1818	1818	2193	2193	11'-2"
12'-0"	273	273	462	462	622	622	783	783	945	945	1270	1270	1597	1597	1926	1926	12'-0"
12'-8"	248	248	420	420	565	565	711	711	858	858	1154	1154	1451	1451	1749	1749	12'-8"
13'-4"	228	228	384	384	517	517	650	650	785	785	1055	1055	1326	1326	1599	1599	13'-4"
14'-0"	210	210	354	354	475	475	598	598	721	721	969	969	1219	1219	1469	1469	14'-0"
16'-0"			283	283	380	380	478	478	576	576	774	774	973	973	1172	1172	16'-0"
18'-0"			235	235	315	315	396	396	477	477	640	640	804	804	969	969	18'-0"
18'-8"					298	298	374	374	451	451	605	605	760	760	915	915	18'-8"
20'-8"					256	256	321	321	387	387	519	519	651	651	784	784	20'-8"
22'-8"					224	224	281	281	339	339	454	454	570	570	686	686	22'-8"
24'-0"					301	301	410	410	497	497	674	674	852	852	1031	1031	24'-0"
26'-0"					362	362	439	439	539	539	751	751	908	908	1172	1172	26'-0"

Note: Above loads include 1/3 increase for wind.

All lintels greater than 22'-8" in length will require (2)-#5 bars top or (2)-#5 bars top&bot.



WITHOUT STIRRUPS (L2)

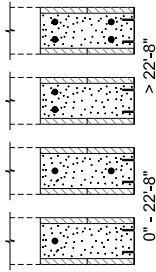
**PS8 Lintels**

8" inch block width

LINTEL LOAD TABLE (IN POUNDS PER LINEAL FOOT)

Uplift Load Table 3000 psi grout

--- ALL LOADS ARE SUPERIMPOSED ---



By: sws  
Date: 10/2017  
chk: gcs

SPAN (ft)	PS8-8" #5 top	PS8-8" #5 top&bot	PS8-12" #5 top	PS8-12" #5 top&bot	PS8-16" #5 top	PS8-16" #5 top&bot	PS8-20" #5 top	PS8-20" #5 top&bot	PS8-24" #5 top	PS8-24" #5 top&bot	PS8-32" #5 top	PS8-32" #5 top&bot	PS8-40" #5 top	PS8-40" #5 top&bot	PS8-48" #5 top	PS8-48" #5 top&bot	SPAN (ft)
28'-0"			324				324	393	393	393	531	531	671	671	811	811	28'-0"
30'-0"			293				293	355	355	355	480	480	606	606	733	733	30'-0"
32'-0"											439	439	554	554	669	669	32'-0"
34'-0"													510	510	616	616	34'-0"
36'-0"															571	571	36'-0"
38'-0"																	38'-0"
40'-0"																	40'-0"

Note: Above loads include 1/3 increase for wind.

All lintels greater than 22'-8" in length will require (2)-#5 bars top or (2)-#5 bars top&bot.

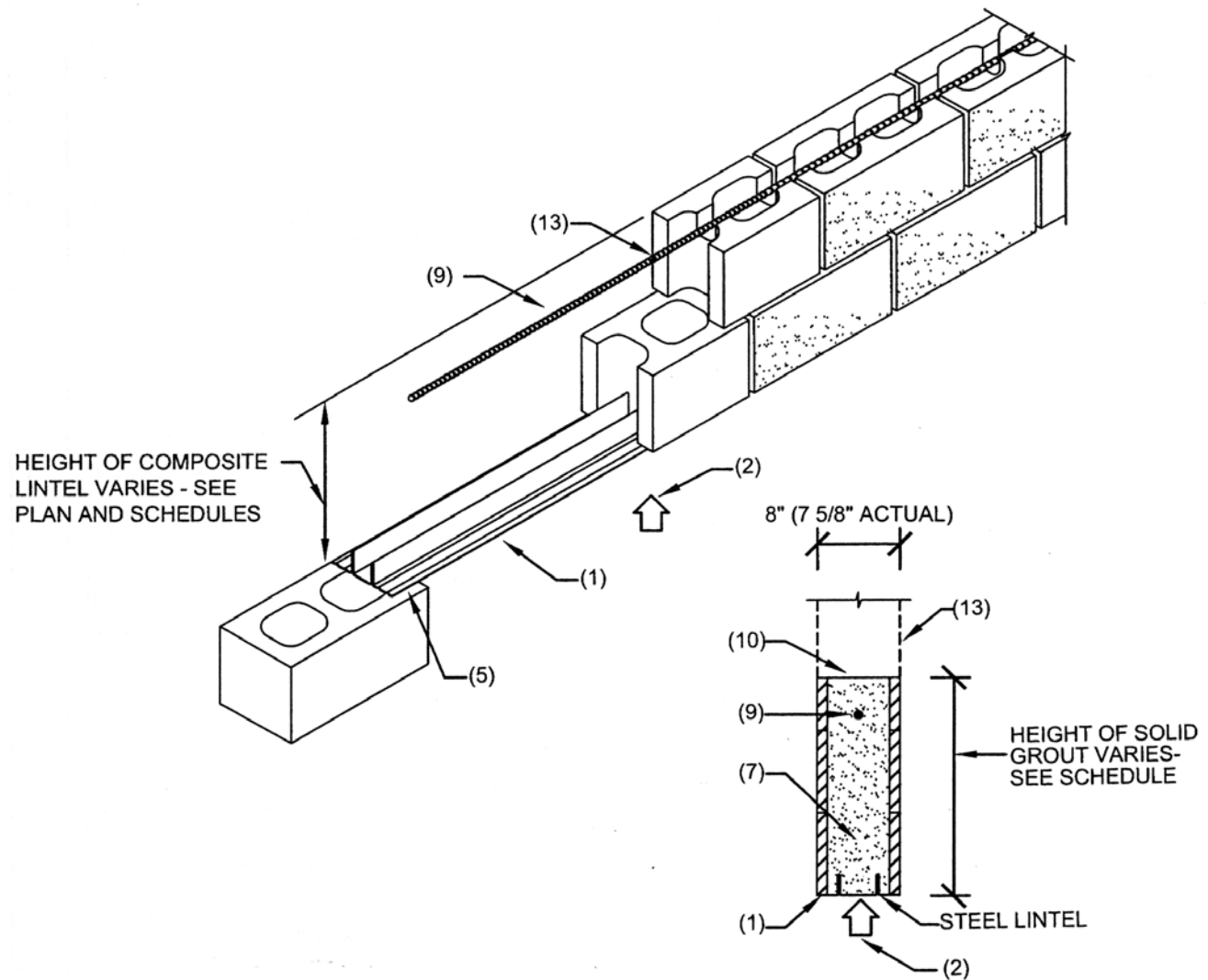


# Powers Steel Product Lintel

LINTEL DESCRIPTION W/O STIRRUPS

INDICATES HEIGHT OF GROUT

## PS8 - 16" (L-2)

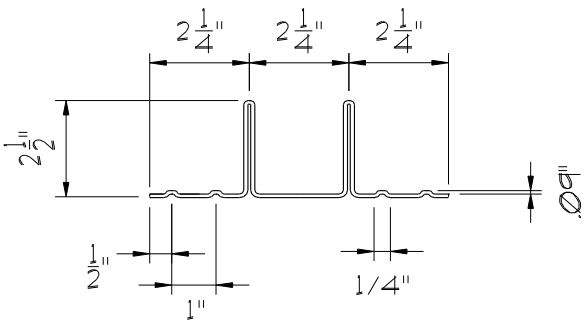
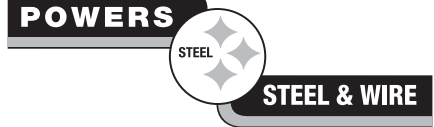


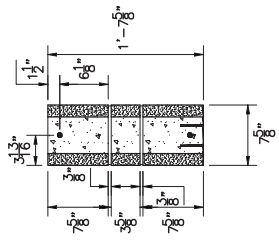
## S.E. CONSULTANTS, INC.



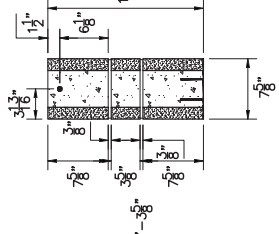
5800 E. THOMAS ROAD, SUITE 104  
SCOTTSDALE, ARIZONA 85251  
(480) 946-2010 FAX: (480) 946-1909

# NOTES: PS8(L-2) Lateral/Uplift – 16 Gage

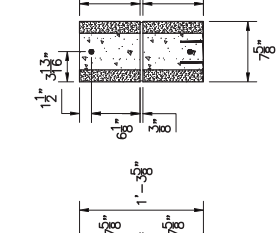
<p>1. PRODUCT NAME (PATENT NO. 5465538);</p> <p>PREFORMED POWERS STEEL LINTEL SHALL BE GALVANIZED COIL STEEL AS MANUFACTURED BY POWERS STEEL AND WIRE PRODUCTS, INC. STEEL GRADE SHALL BE ASTM A570 GRADE C (FY = 40 ksi).</p> <p>2. SHORE LINTELS AS REQUIRED TO COMPENSATE FOR DEAD LOAD DEFLECTION ON NON-CURED MASONRY GROUT. ALL LINTELS GREATER THAN 18'-0" ARE BUILT WITH 1/2" CAMBER.</p> <p>3. LINTEL TO BE USED WITH BRICK OR CONCRETE MASONRY UNITS HAVING MINIMUM <math>f'm</math> AS SHOWN.</p> <p>4. STEEL SURFACES IN CONTACT WITH GROUT AND/OR MORTAR SHALL BE UNPAINTED AND FREE OF MATERIAL THAT MIGHT INHIBIT BOND.</p> <p>5. BEARING EACH END SHALL BE 3" +/- 1/2". BEARING SHALL BE ON A MINIMUM 8" DEEP GROUTED CELL PER THE STANDARD BUILDING CODE.</p> <p>6. <math>f'm</math> = 1500 psi. MASONRY UNITS SHALL CONFORM TO ASTM C90, GRADE N.</p> <p>7. GROUT = 3,000 psi. SLUMP RANGE: 8" TO 11". ROD OR VIBRATE GROUT ADEQUATELY TO ENSURE CONSOLIDATION OF GROUT (NO AIR POCKETS). GROUT SHALL COMPLY WITH ASTM C476-83 AND BE EITHER COARSE OR FINE GROUT.</p> <p>8. MORTAR: TYPE "S" OR TYPE "M" 1800 psi.</p> <p>9. TOP REINFORCING OR TOP OF WALL REINFORCING, IS REQUIRED BY CODES TO PROVIDE A CONTINUOUS TIE AROUND A STRUCTURE AND TO PROVIDE FOR UPLIFT RESISTANCE AT LINTELS.</p> <p>10. ATTACHMENTS TO TOP OF WALL PER ARCHITECTURAL AND/OR ENGINEERING DRAWINGS.</p> <p>11. LIMITATIONS:</p> <p>THE LINTELS SHALL NOT EXCEED THE ALLOWABLE DESIGN LOADS AND SPANS SHOWN IN THIS REPORT.</p> <p>THE LINTELS SHALL NOT BE USED IN A FIRE RESISTANCE RATED ASSEMBLY UNLESS A TEST REPORT DOCUMENTING FIRE RESISTANCE IS SUBMITTED TO THE BUILDING OFFICIAL.</p> <p>A PROPER BARRIER IS REQUIRED WHEN USING CORROSIVE LUMBER PRODUCTS IN CONTACT WITH THE STEEL LINTELS. A PROPER BARRIER WOULD BE A POLYETHYLENE BARRIER WITH A 10 MIL THICKNESS OR TO MAINTAIN A MIN. 1/4" SPACING BETWEEN THE CORROSIVE LUMBER AND STEEL LINTEL.</p> <p>NOT FOR USE IN THE HVHZ IN MIAMI OR BROWARD COUNTIES AT THIS TIME. MIAMI DADE COMPLIANCE IS BEING SOUGHT.</p> <p>12. ALLOWABLE LOADS SHOWN IN THE TABLES FOR UPLIFT AND LATERAL LOAD CAPACITY INCLUDE A 1/3 INCREASE FOR WIND OR SEISMIC LOADING WITH NO FURTHER INCREASE ALLOWED. IF COMBINED LOADING CONDITIONS ARE APPLIED TO THE LINTELS FOR SIMULTANEOUS LOADING DIRECTIONS, THE ALLOWABLE LOADS SHOWN IN THE TABLES MUST BE ADJUSTED USING A UNITY EQUATION.</p> <p>13. ALL LOADS SHOWN IN TABLES ARE SUPERIMPOSED LOADS. TABLES ARE DATED 10/2017 AND CLEARLY INDICATE SUPERIMPOSED LOADS</p>	<p>14. A #5 REINFORCING BAR(S) GRADE 40 IS TO SET APPROX. 1-1/2" FROM TOP OF ALL LINTEL DESIGNS AND IN SOME CASES ON THE BOTTOM OF LINTEL AS SHOWN ON LOAD TABLES. TOP HORIZONTAL REINFORCEMENT IS TO BE A CONTINUOUS TIE AS NOTED IN NOTE #9. IN THE CASE THAT THE LINTEL IS NOT WITHIN A COMPOSITE BOND BEAM SYSTEM, TOP HORIZONTAL REINFORCEMENT IS TO EXTEND 2'-0" PAST INSIDE OF JAMBS.</p> <p>15. MANUFACTURER:</p> <p><b>POWERS STEEL</b> 4118 E. ELWOOD PHOENIX, AZ 85040 PH# (602) 437-1160 FAX# (602) 437-5409</p> <p>16. TECHNICAL DATA AND ENGINEERING POWERS LINTELS HAVE BEEN DESIGNED IN ACCORDANCE WITH THE FOLLOWING:</p> <p>+ FLORIDA BUILDING CODE – 2017 (SIXTH EDITION) + NASPEC / AISI LIGHT GAGE COLD FORMED STEEL DESIGN - 2012 + ACI 530-13/ASCE 5-13/TMS 402-13</p> <p>17. TECHNICAL ASSISTANCE IS AVAILABLE FROM THE MANUFACTURER ON SPECIAL DESIGN CONCERNS OR LINTEL DEPTHS DIFFERENT THAN THOSE SHOWN IN THE LOAD TABLES.</p> <p>STRUCTURAL ENGINEER FOR THESE LINTELS IS:</p> <p><b>S.E. CONSULTANTS, INC.</b> 5800 E. THOMAS RD. SUITE 104 SCOTTSDALE, AZ 85251 PHONE (480) 946-2010 FAX (480) 946-1909</p> <p>18. IF AN INSPECTOR, CONTRACTOR, SUBCONTRACTOR, OR PLANS EXAMINER HAS ANY TECHNICAL QUESTIONS PLEASE CALL.</p> <p>INSTALLATION: POWERS LINTELS ARE TO BE INSTALLED IN ACCORDANCE WITH STANDARD CONSTRUCTION PRACTICES, SET TO PROPER LINE AND LEVEL, PLUMB AND TRUE, AND IN CORRECT RELATION TO OTHER WORK.</p>  <p><b>PS8(L-2) STEEL LINTELS</b></p> <p>NOTE: NO SCALE 16 GAGE IS .060 INCHES THICK.</p> 
--	---



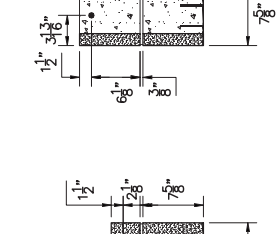
PS8-20"  
#5 TOP & BOTTOM



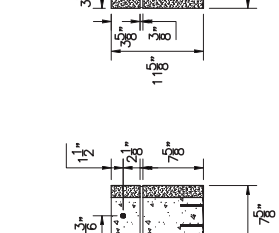
PS8-20"  
#5 TOP



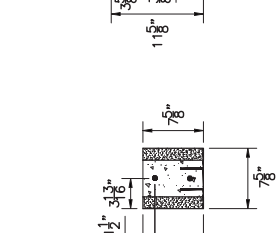
PS8-16"  
#5 TOP & BOTTOM



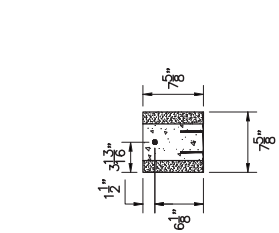
PS8-16"  
#5 TOP



PS8-12"  
#5 TOP & BOTTOM



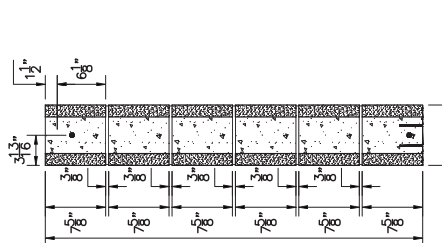
PS8-12"  
#5 TOP



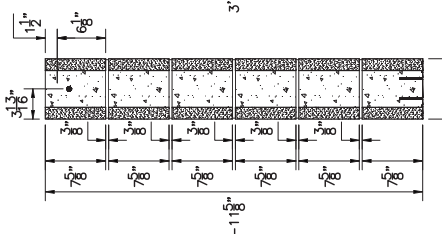
PS8-8"  
#5 TOP & BOTTOM



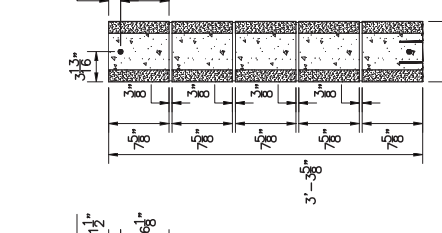
PS8-8"  
#5 TOP



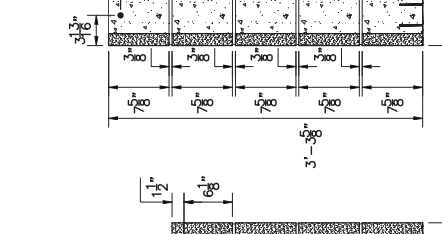
PS8-48"  
#5 TOP & BOTTOM



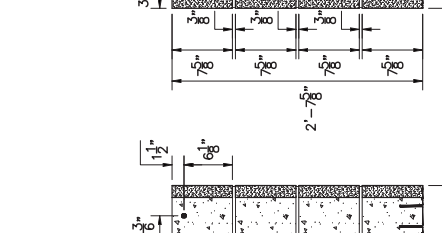
PS8-48"  
#5 TOP



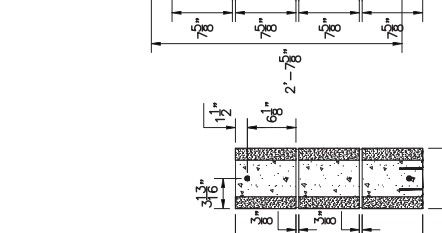
PS8-40"  
#5 TOP & BOTTOM



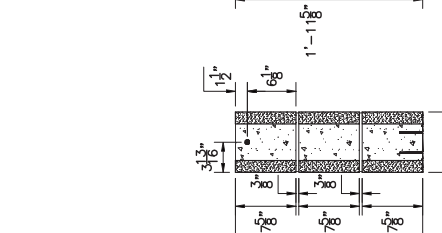
PS8-40"  
#5 TOP



PS8-32"  
#5 TOP & BOTTOM



PS8-32"  
#5 TOP

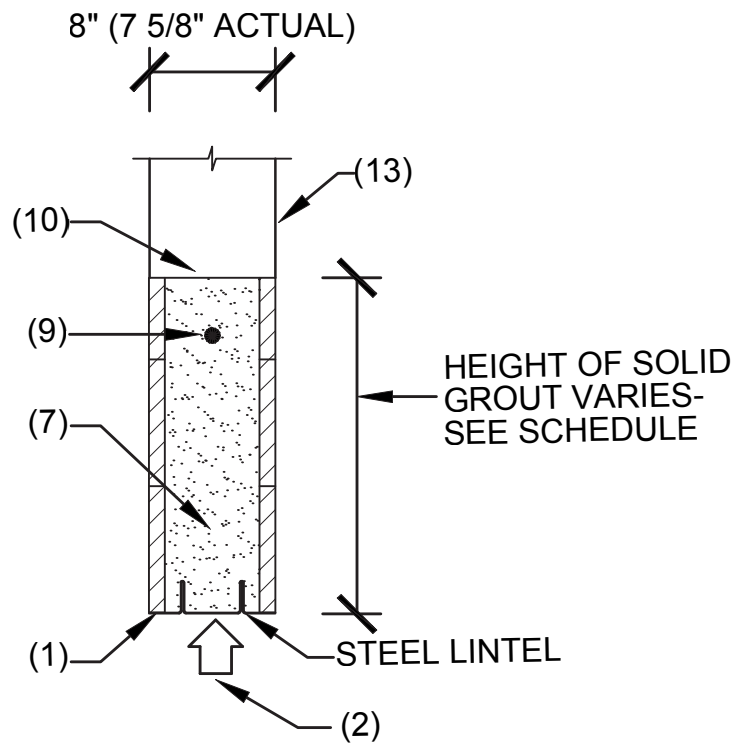
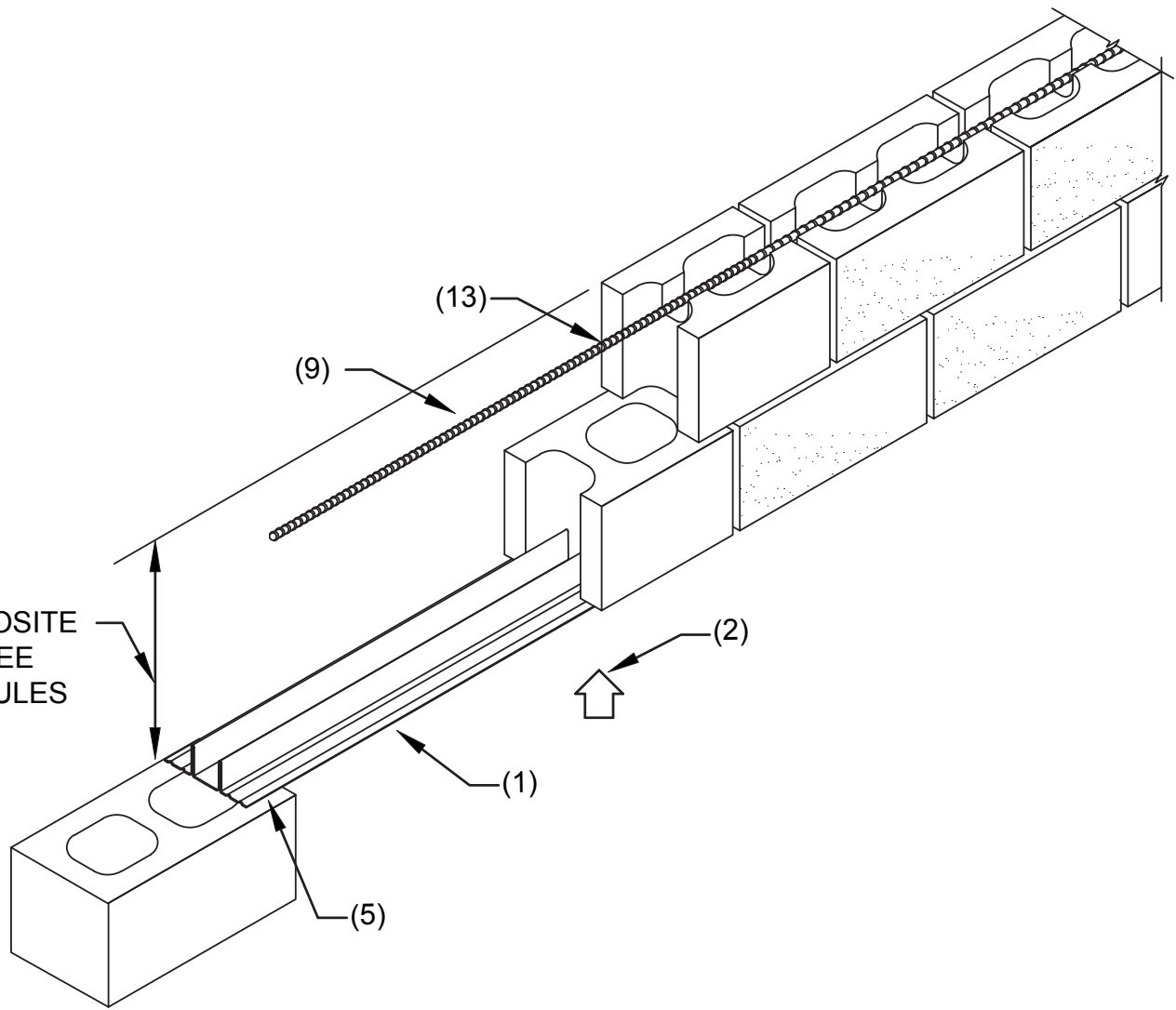


PS8-24"  
#5 TOP & BOTTOM

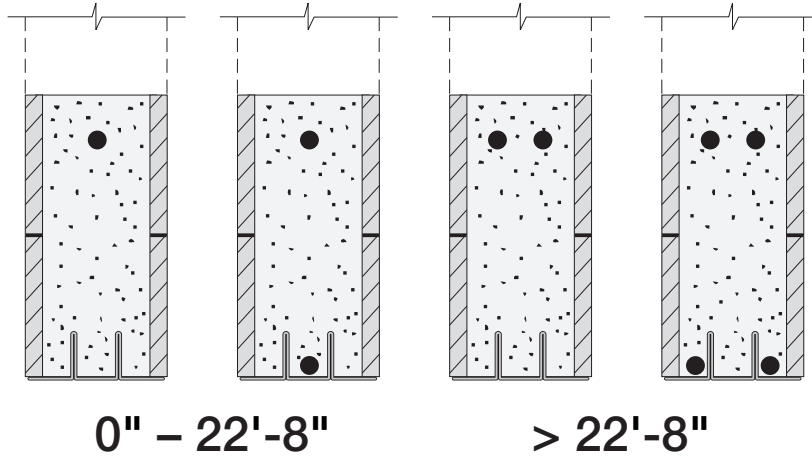


PS8-24"  
#5 TOP

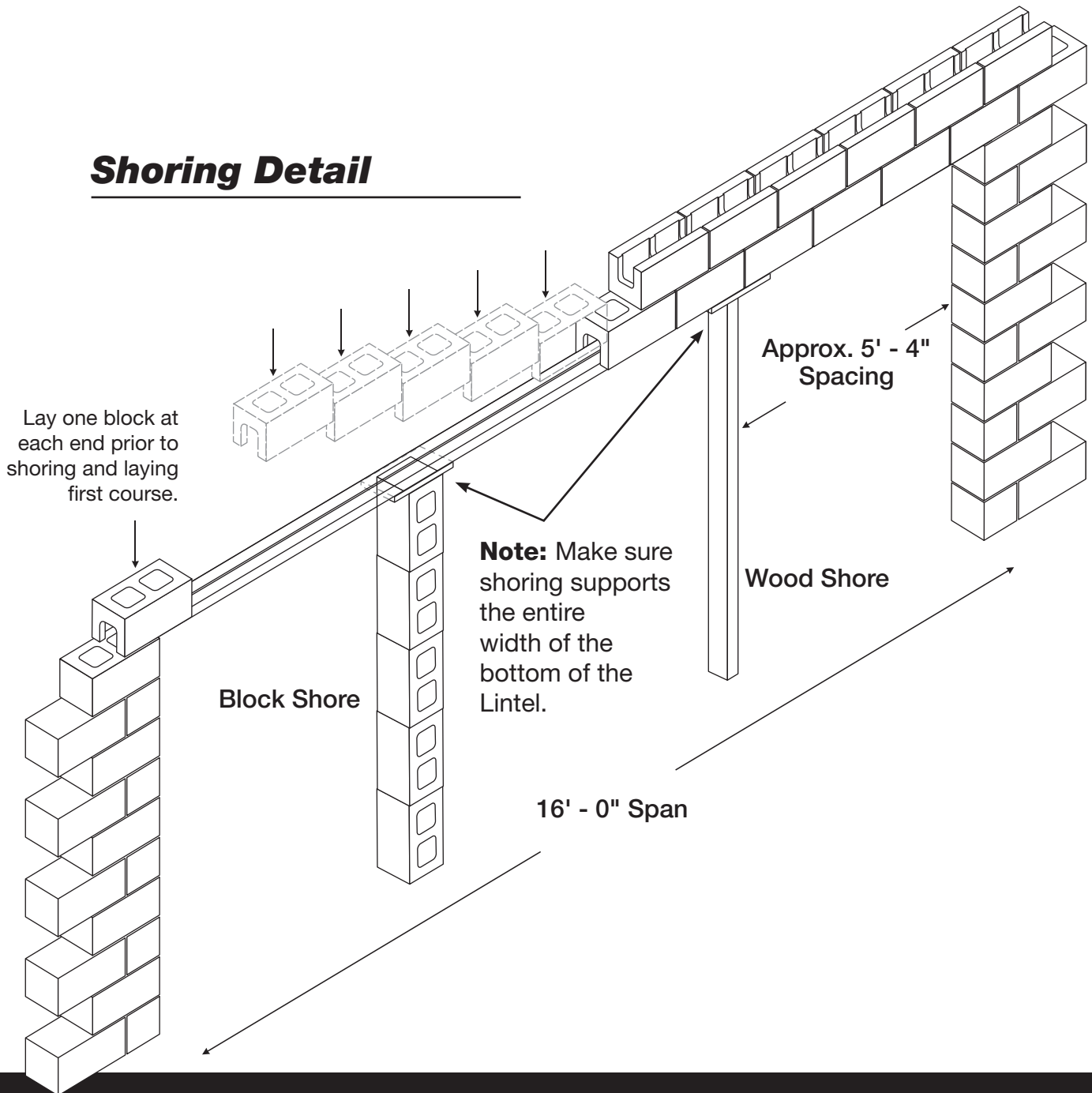




# L2 Steel Lintel Cross Sections



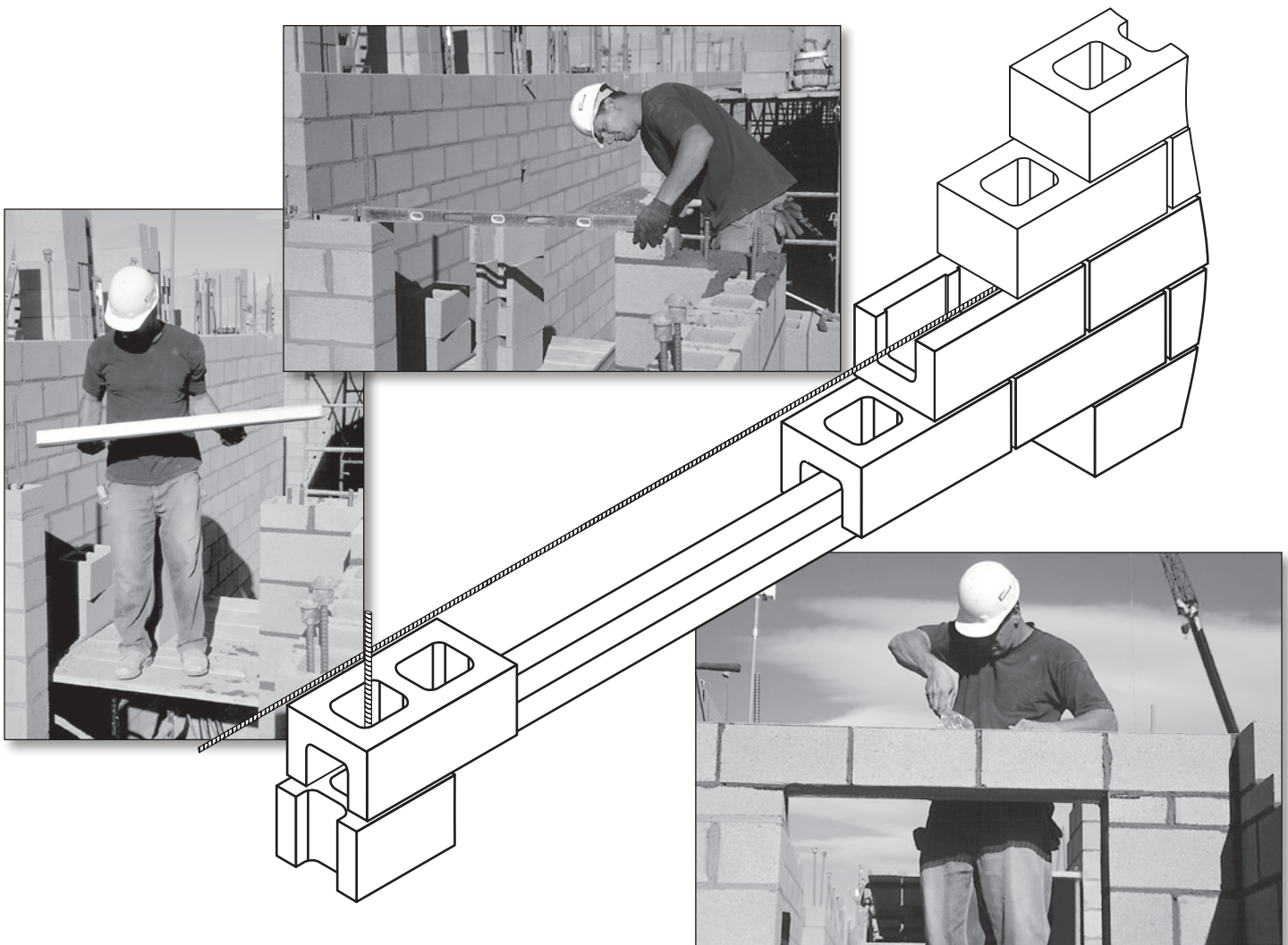
## Shoring Detail



## ***L2 Steel Lintel Installation Instructions***

---

1. Lay wall to required height and opening.
2. Set Lintel on block with 3"  $\pm$  1/2" of bearing.
3. Place Lintel on block level and square. Lay bond beam block upside down on Lintel at each end.
4. Shore Lintel as required to compensate for dead load deflection on non cured Masonry and grout. Shore lintel prior to laying block and grouting.
5. It is recommended to shore lintel in the middle of spans greater than 8'-0" and less than 15'-0". On spans greater than 16'-0" use 2 shores spaced equal distance apart at approximately 5'-4" spacing. On spans greater than 16'-0" place shoring at 6'-0" centers. Make sure shoring is square to Lintel and secure. Make sure shoring supports the entire width of the bottom of the Lintel.
6. Proceed to lay first lay first and second courses of block for 16" deep lintels and so on for lintels with greater depths.
7. Rod grout adequately to ensure consolidation of grout (no air pockets)
8. Place top #5 rebar grade 40 Set 1.5" from top of all Lintel designs and in some cases in the bottom of the Lintel as shown on Load Tables. (see detail next page)



**POWERS**



**STEEL, INC.**

**Powers Steel, Inc.**  
4118 East Elwood Street  
Phoenix, Arizona 85040  
phone: (602) 437-1160  
(602) 454-8828

**888.525.0108 • [www.PowersSteel.com/Lintels](http://www.PowersSteel.com/Lintels)**