



**Lastec Articulator**  
*Model 425EFDW-CE*

**Parts Manual**

**Lastec**

*A Division of Wood-Mizer Products, Inc.  
8180 West 10th Street  
Indianapolis, Indiana 46214  
Phone (317) 808-0703 Fax (317) 808-0704  
[www.lastec.com](http://www.lastec.com)*

# Table of Contents

# Section-Page

<b>SECTION 1</b>	<b>GENERAL INFORMATION</b>	<b>1-1</b>
1.1	How To Use The Parts List .....	1-2
1.2	Sample Assembly.....	1-2
<b>SECTION 2:</b>	<b>MOUNTING HARDWARE &amp; DRIVE SYSTEM</b>	<b>2-1</b>
2.1	Mounting Hardware .....	2-2
2.2	Hydraulic Motor Mount Assembly.....	2-4
2.3	Deck Lift Assembly.....	2-6
<b>SECTION 3:</b>	<b>MOWER DECKS</b>	<b>3-1</b>
3.1	Deck Pivot & Trap Door Assemblies .....	3-2
3.2	Deck E1, E3 & E4 Spindle Housing Assemblies .....	3-4
3.3	Deck E2 Spindle Housing Assembly .....	3-6
3.4	Deck Covers.....	3-8
3.5	Decks and Belts .....	3-10
3.6	Deck E1 and E3 Idler Pulley Assembly .....	3-12
3.7	Deck E4 Idler Pulley Assembly .....	3-14
3.8	Grass Chute & Mulching Plate Assemblies.....	3-16
3.9	Decks & Decals (CE Approved) .....	3-18
3.10	Deck Safety Latch .....	3-22
<b>SECTION 4:</b>	<b>WHEELS</b>	<b>4-1</b>
4.1	Deck E1 Rocker Leg Assembly .....	4-2
4.2	Deck E3 Rocker Leg Assembly .....	4-4
4.3	Deck E4 Rocker Leg Assembly .....	4-6
4.4	Front Axle Assembly .....	4-8
4.5	Rear Axle Assembly .....	4-10
4.6	9"x3.5" Wheel Assemblies, Pneumatic & Foam-Filled .....	4-12

## SECTION 1 GENERAL INFORMATION

## 1.1 How To Use The Parts List

- Use the table of contents or index to locate the assembly that contains the part you need.
- Go to the appropriate section and locate the part in the illustration.
- Use the number pointing to the part to locate the correct part number and description in the table.
- Parts shown indented under another part are included with that part.
- Any part shown with a black diamond (◆) is a part that is not sold separately.

See the sample table below.

## 1.2 Sample Assembly

REF	DESCRIPTION	PART #	QTY.
	<b>SAMPLE ASSEMBLY, COMPLETE (ASSEMBLY INCLUDES ALL INDENTED PARTS BELOW.)</b>	A01111	1
1	Sample Part (◆) is a part that is not sold separately.	◆	1
	Sample Subassembly (Subassembly Includes All Indented Parts Below.)	A03333	1
2	Sample Part	S04444-4	1
	Sample Subassembly (Subassembly Includes All Indented Parts Below.)	K04444	1
3	Sample Part	M06666	2
4	Sample Part	F07777-77	1

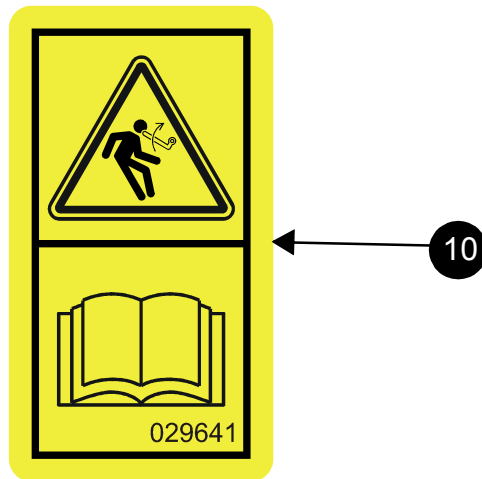
## **SECTION 2: MOUNTING HARDWARE & DRIVE SYSTEM**

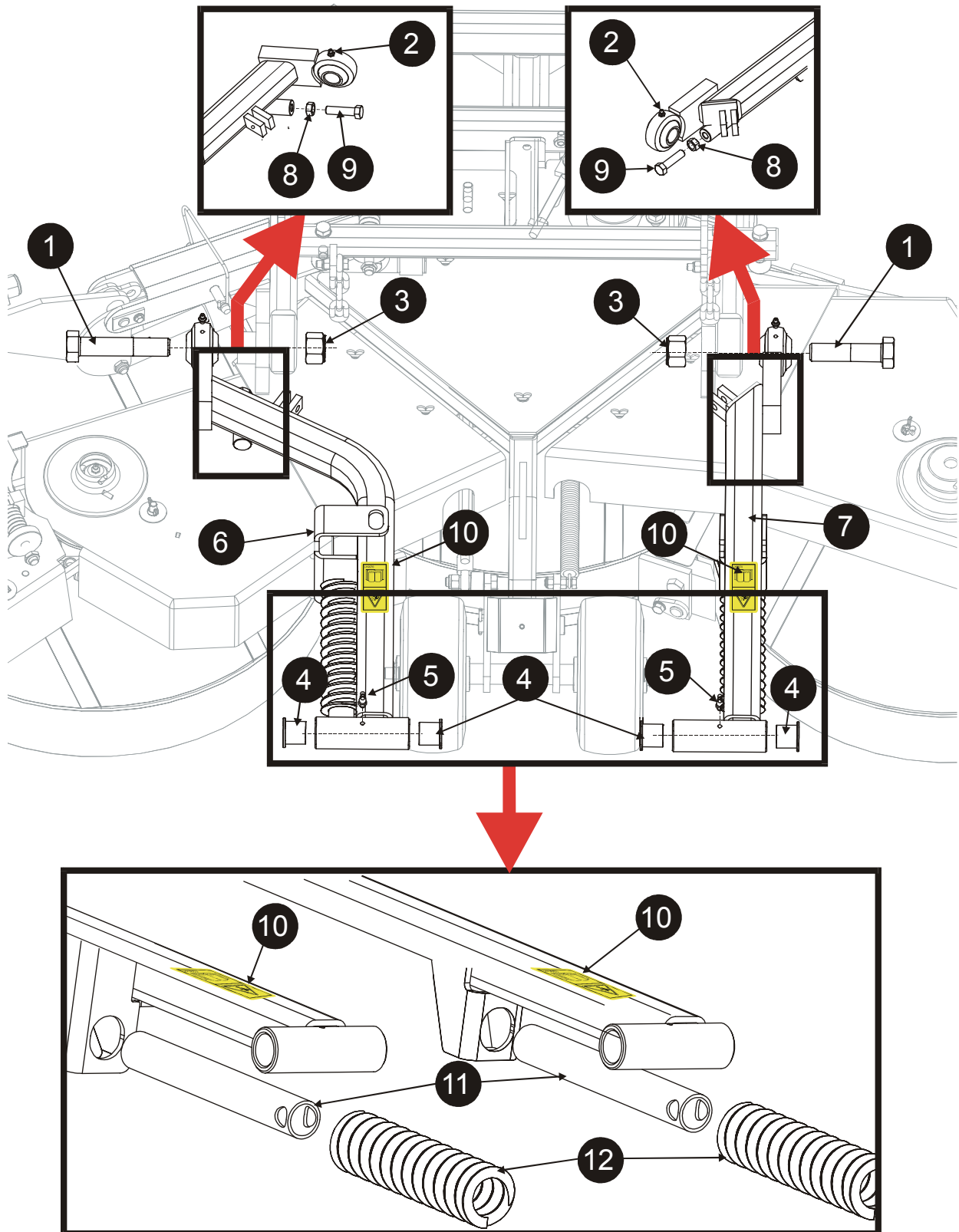
# 2 Mounting Hardware & Drive System

## Mounting Hardware

### 2.1 Mounting Hardware

REF	DESCRIPTION	PART#	QTY.
1	Bolt, 1-8x5 Hh Gr5	F05004-132	1
2	Fitting, 1/4-28 Straight Grease	P107	2
3	Nut, 1-8 Self Lock	F05010-109	2
4	Bushing, 1in Id X 1-1/4 Od Flanged	P109	4
5	Fitting, Grease 90 Deg. 1/4-28	P123	2
6	Push Arm Wldmnt, 425 Wam Lft	029928	1
7	Push Arm Wldmnt, 425 Wam Rht	029932	1
8	Nut, 1/2-13 Hex	F05010-35	2
9	Bolt, 1/2-13x2 Ft Gr5	F05008-116	2
10	Decal, Loaded Spring CE	029641	2
11	Tube, Push Arm Lift	029630	2
12	Spring, John Deere Weight Transfer	029631	2







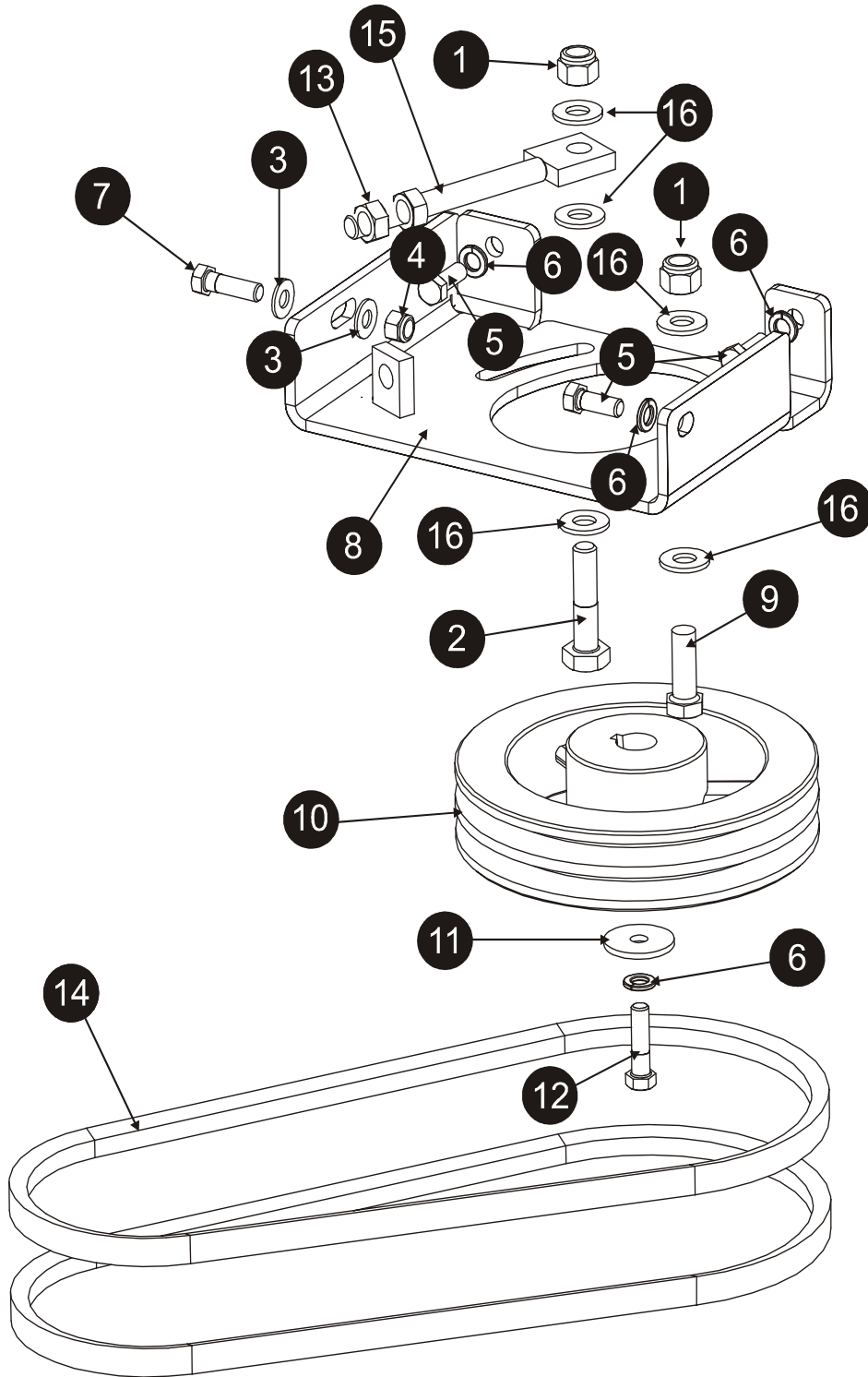
## Mounting Hardware & Drive System

### Hydraulic Motor Mount Assembly

## 2.2 Hydraulic Motor Mount Assembly

REF	DESCRIPTION	PART#	QTY.
1	Nut, 1/2-13 Nyl Hex Lock	F05010-8	2
2	Bolt, 1/2-13x2 1/4 HH Gr5	F05008-10	1
3	Washer, 3/8 SAE Flat	F05011-61	2
4	Nut, 3/8-16 Hex Nyl Lock	F05010-10	1
5	Bolt, 3/8-16x1 HH Gr5	F05007-87	3
6	Washer, 3/8 Split Lock	F05011-4	4
7	Bolt, 3/8-16x1 1/4 HH Gr5	F05007-123	1
8	Plate, Hyd Motor Mount	029996	1
9	Bolt, 1/2-13x1 1/2 HH Gr5	F05008-33	2
10	Sheave, 2BK80 Taper	029936	1
11	Washer, 3/8 ID x 1/8 Fender	F05011-104	1
12	Bolt, 3/8-24x1 1/2 HH Gr8 Yzc	F05007-143	1
13	Nut, 1/2-13 Hex	F05010-35	2
14	Belt, Insta-Power 85480	029940	2
15	Motor Tensioner Stud Wldmnt	029995	1
16	Washer, 1/2 SAE Flat	F05011-2	5



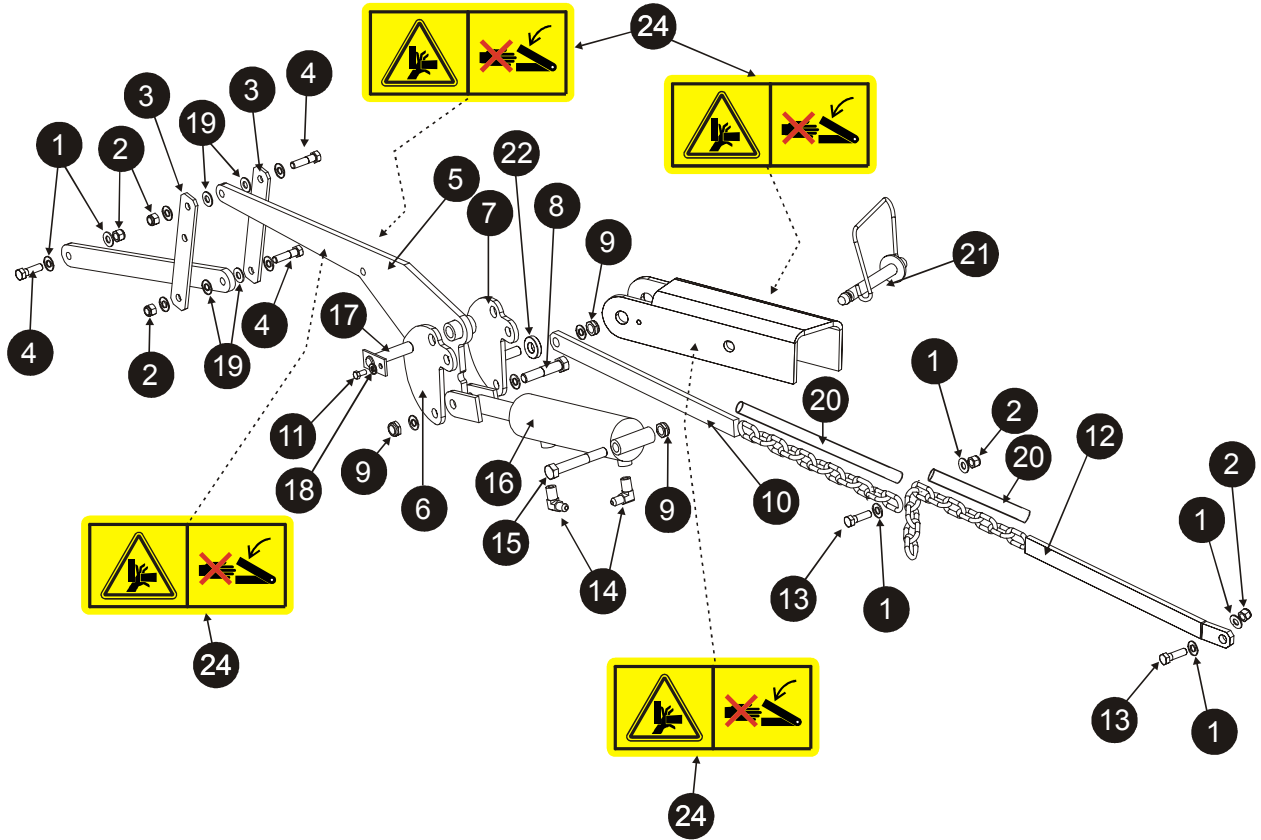


## **2** Mounting Hardware & Drive System

### Deck Lift Assembly

## 2.3 Deck Lift Assembly

REF	DESCRIPTION	PART#	QTY.
1	Washer, 3/8 Sae Flat	F05011-61	12
2	Nut, 3/8-16 Hex Nyl Lock	F05010-10	5
3	Link, Deck Lift Short	028130	2
4	Bolt, 3/4-16x2 FT HH	F050013-1	3
5	Arm Weldmnt, 425WAM Deck Lift	029943	1
6	Plate, Deck Lift Link	028065	1
7	Arm Wldmt, Deck Lift Link	029954	1
8	Bolt, 1/2-13x2 1/2 Gr5	F05008-74	1
9	Nut, 1/2-20 Jam Nyl Lock	F05010-79	3
10	Lift Strap Weldmnt, 425 Wam E1	029957	1
11	Bolt, 1/4-20x1/2 Hh	F05005-15	1
12	Lift Strap Weldmnt, 425 Wam E3	029958	1
13	Bolt, 3/8-16x1 1/2 HH Gr5	F05007-78	2
14	Fitting, 1/4" four seal	029827	2
15	Bolt, 1/2-13x3 1/2 Hh Gr5	F05008-61	1
16	Cylinder, Deck Lift	028064	1
17	Pin Wldmt, Deck Lift Pivot	028063	1
18	Washer, 1/4 Split Lock	F05011-14	1
19	Spacer, 1.00 ODx.41 IDx1/4 Thk Nylon-Blk	029214	4
20	Guide, Upright Long	014867	2
21	Pin, 1/2x3 1/2 Snap Spring Yzc	029895	1
22	Spacer, 1/4 Thk Deck Height	019650-1	1
23	Link, Deck Lift Long	028129	1
24	Decal, Pinch Point/Instructions CE Std	041208	4





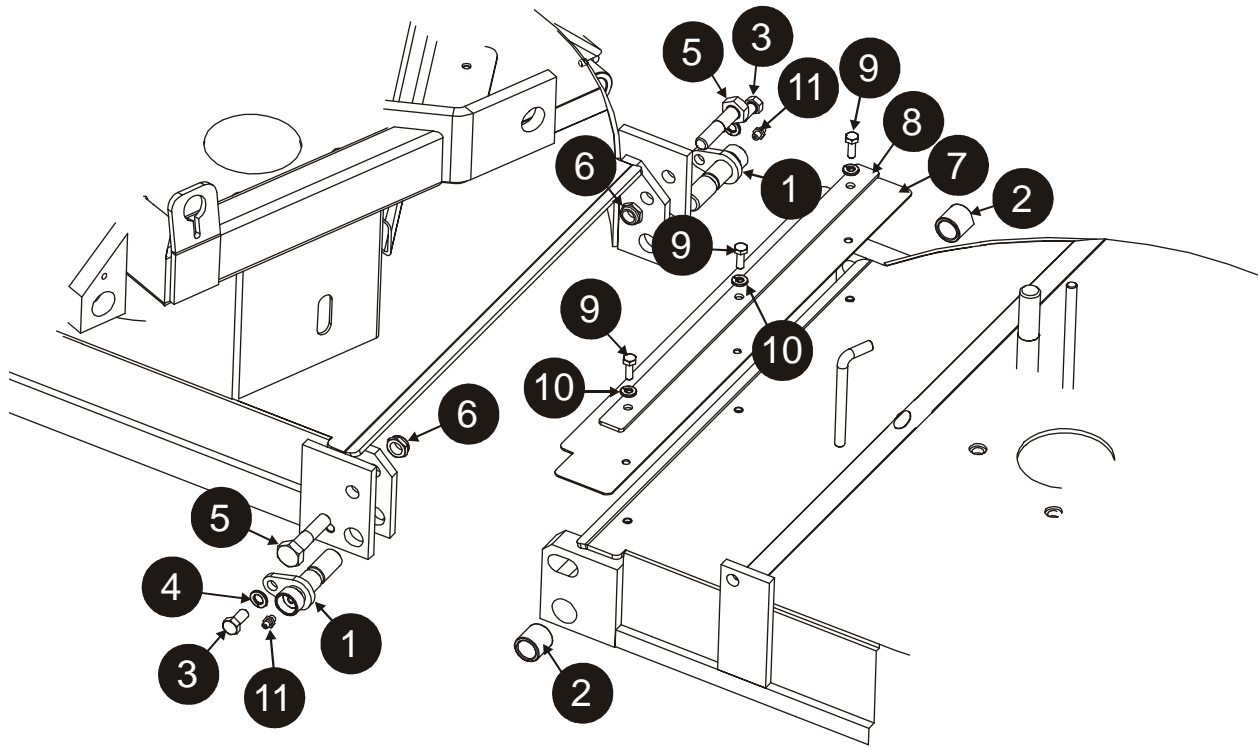
## SECTION 3: MOWER DECKS

**3****Mower Decks***Deck Pivot & Trap Door Assemblies*

---

**3.1 Deck Pivot & Trap Door Assemblies**

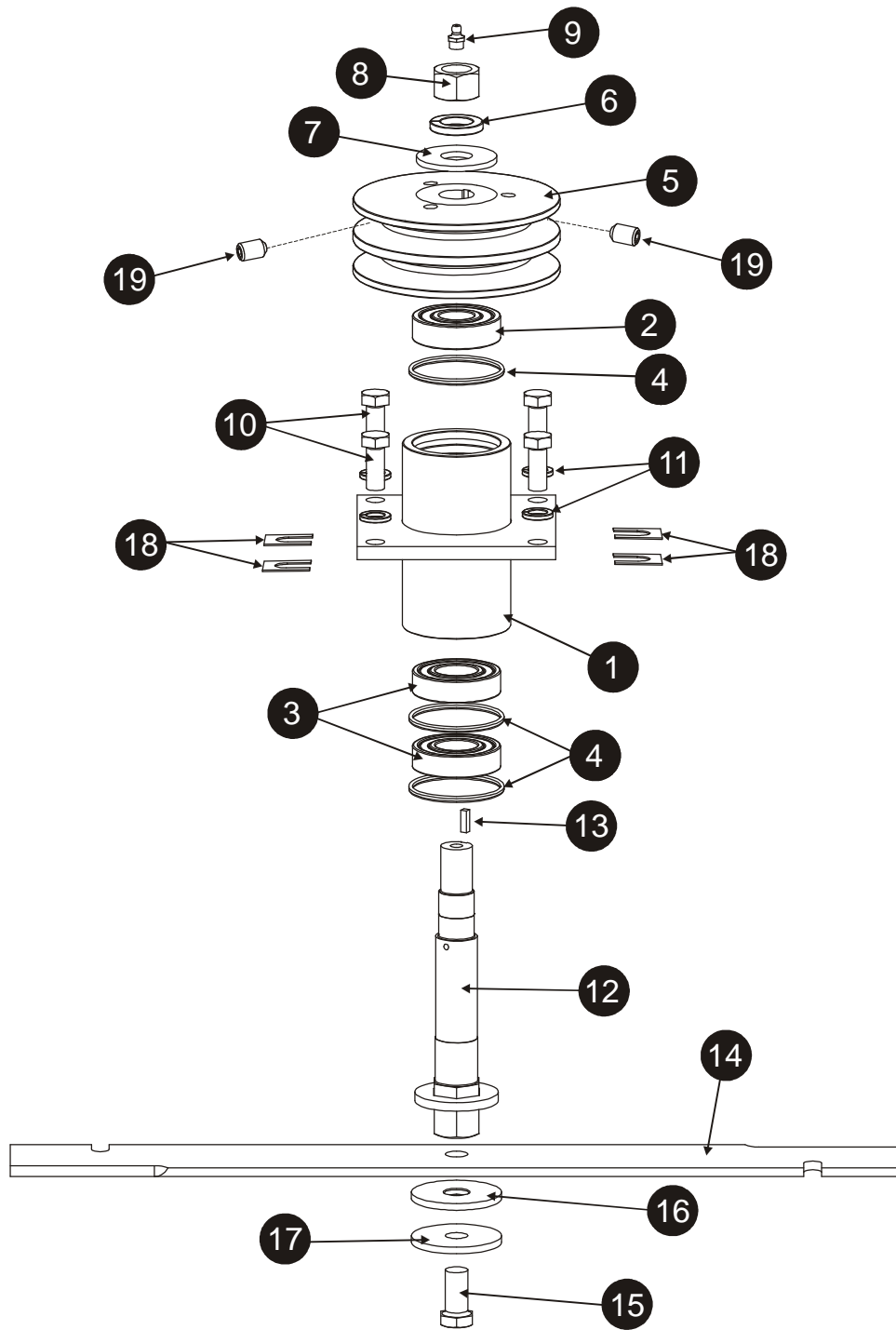
REF	DESCRIPTION	PART#	QTY.
1	Wldmt, Pin, Deck Hinge	018900	2
2	Bushing, 3/4ID x 1OD x 1Lng Oil	029842	2
3	Bolt, 3/8-16x3/4 Hh Gr5 W/nylon Patch	F05007-168	2
4	Washer, 3/8 Split Lock	F05011-4	2
5	Bolt, 1/2-13x2 1/4 Gr5	F05008-10	2
6	Nut, 1/2-13 Half Nyloc	F05010-127	2
7	Plate, 325E E2 Trap Door (Not Shown)	029775	1
	Plate, 325ef E1 Trap Door (Shown)	029776	1
8	Strip, 325E Trap Door Clamp	029874	1
9	Bolt, 1/4-20x3/4 HH Gr5	F05005-123	3
10	Washer, 1/4 Split Lock	F05011-14	3
11	Fitting, 1/4-28 Straight Grease	P107	2



**3.2 Deck E1, E3 & E4 Spindle Housing Assemblies**

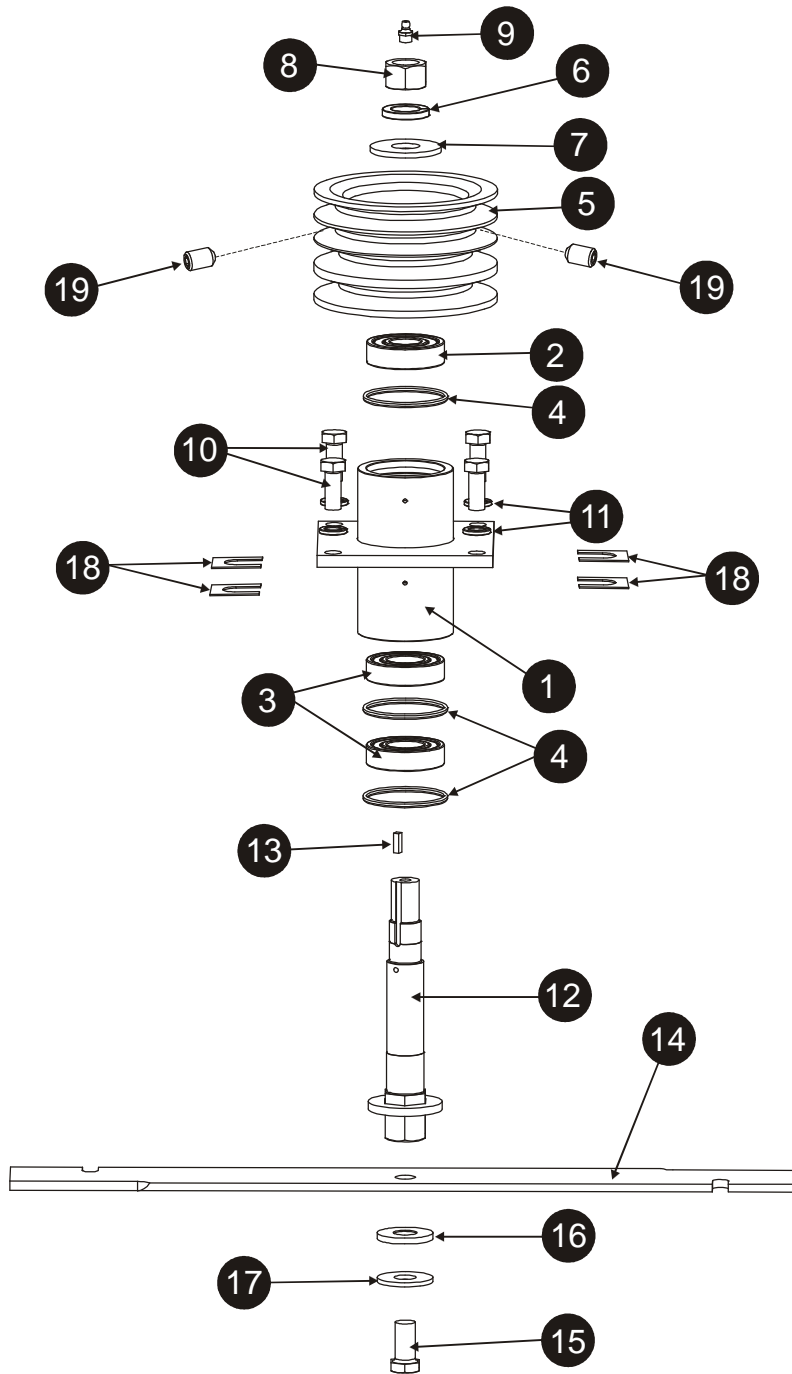
REF	DESCRIPTION	PART#	QTY.
1	Housing Wldmnt, 325e Spindle	029765	1
2	Bearing, Spindle Top 6305 Rs	P103	1
3	Bearing, Spindle Bottom 6206 Tgs	P104	2
4	O-ring, 2-1/2 Id X 2 3/4 Od	P105	3
5	Pulley, X-series Double	T156	1
6	Washer, 7/8 Split Lock	F05011-46	1
7	Washer, 7/8 Sae Flat	F05011-73	1
8	Nut, 7/8-14 Free	F05010-139	3
9	Fitting, 1/8in Npt Straight Grease	P108	1
10	Bolt, 1/2-13x1 Hh Ft	F05008-71	4
	Bolt, 1/2-13x1 1/4 HH Gr5	F05008-37	N/A
11	Washer, 1/2 Split Lock	F05011-9	4
12	Spindle Wldmnt, E1 - E3 Decks	018480	4
13	Key, 3/16 Sq X 5/8	P407	1
14	Blade, 25 X 2-1/2 X 1/4 High Lift	P701	1
15	Bolt, 5/8-18x1 1/4 Hh Gr5	F05008-95	1
16	Washer, 2-1/2x11/16x3/16 Nylon	029889	1
17	Washer, 2 1/2 Odx5/8 Idx3/16 Std Flat Znc	F05011-89	1
18	Shim, 16Ga x 1 In Sq	029988	N/A
	Shim, 22Ga x 1 In Sq	029988-1	N/A
19	Screw, 1/4-20x1/2 Serrated Cup Pt Set BO	F05005-147	2





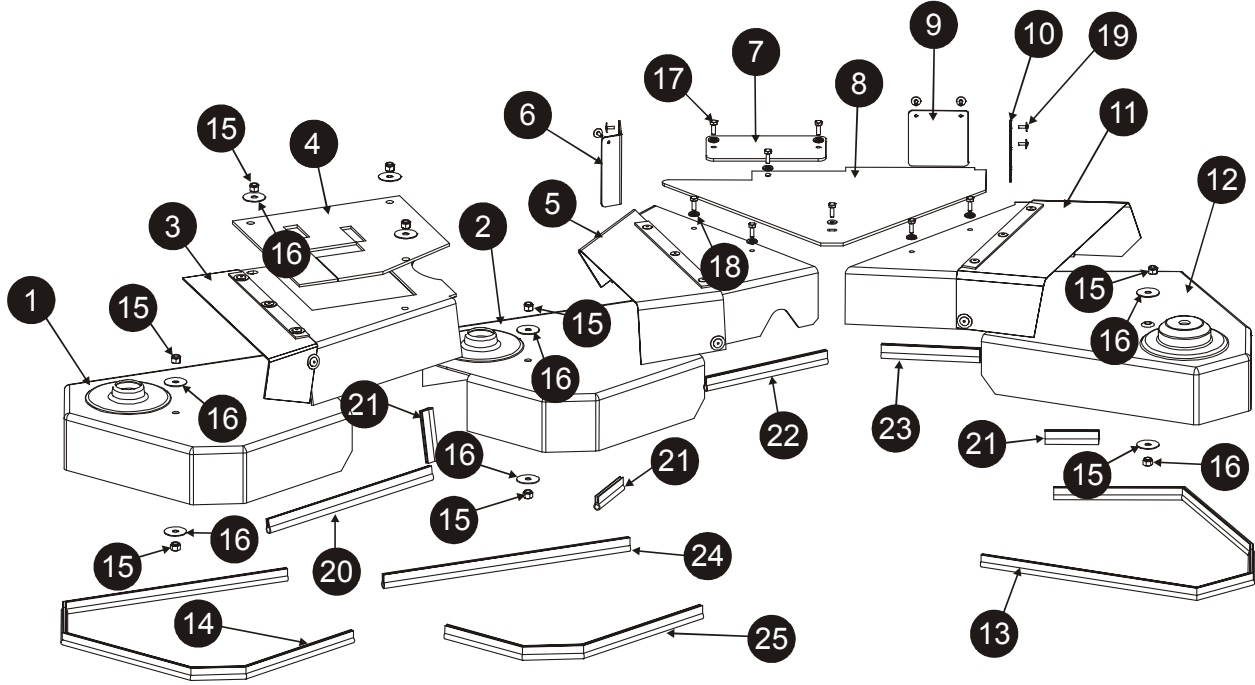
**3.3 Deck E2 Spindle Housing Assembly**

REF	DESCRIPTION	PART#	QTY.
1	Housing Wldmnt, 325e Spindle	029765	1
2	Bearing, Spindle Top 6305 Rs	P103	1
3	Bearing, Spindle Bottom 6206 Tgs	P104	2
4	O-ring, 2-1/2 Id X 2 3/4 Od	P105	3
5	Pulley, X-series Quad	T160	1
6	Washer, 7/8 Split Lock	F05011-46	1
7	Washer, 7/8 Sae Flat	F05011-73	1
8	Nut, 7/8-14 Free	F05010-139	1
9	Fitting, 1/8in Npt Straight Grease	P108	1
10	Bolt, 1/2-13x1 Hh Ft	F05008-71	4
	Bolt, 1/2-13x1 1/4 HH Gr5	F05008-37	N/A
11	Washer, 1/2 Split Lock	F05011-9	4
12	Spindle Wldmnt, E1 - E3 Decks	018480	1
13	Key, 3/16 Sq X 5/8	P407	1
14	Blade, 25 X 2-1/2 X 1/4 High Lift	P701	1
15	Bolt, 5/8-18x1 1/4 Hh Gr5	F05008-95	1
16	Washer, 2-1/2x11/16x3/16 Nylon	029889	1
17	Washer, 2 1/2 Odx5/8 ldx3/16 Std Flat Znc	F05011-89	1
18	Shim, 16Ga x 1 In Sq	029988	N/A
	Shim, 22Ga x 1 In Sq	029988-1	N/A
19	Screw, 1/4-20x1/2 Serrated Cup Pt Set BO	F05005-147	2



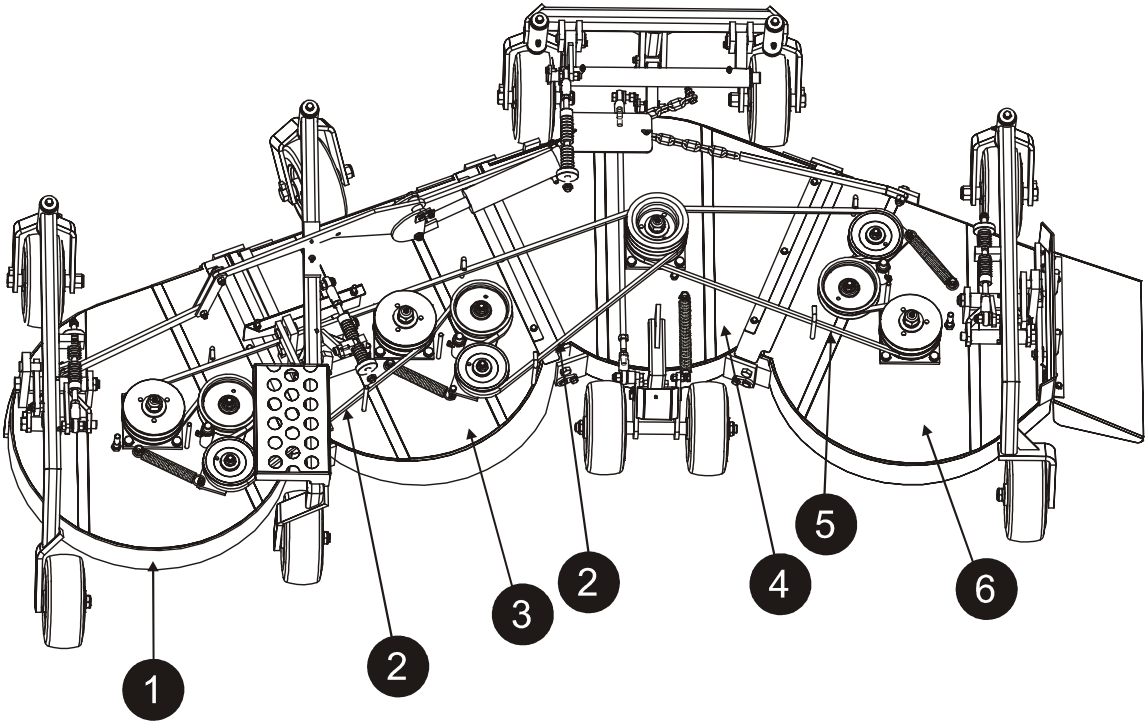
## 3.4 Deck Covers

REF	DESCRIPTION	PART#	QTY.
1	Cover/Pop Rivet Assy, WAM E1 Sub Assy	029578	1
2	Cover/Pop Rivet Assy WAM E4	029643	1
3	Cover Assy, 425CE 4 Deck	028424	1
4	Cover Ext, E4 Deck 425CE	028421	1
5	Cover Assembly, 325EFD CE E1	029722	1
6	Flap, Ce Rubber Guard	029562	1
7	Cover, 425 WAM E2 Access	029974	2
8	Cover, 425 WAM E2	029951	1
9	Flap, CE Rubber Guard	029561	1
10	Flap, CE Rubber Guard	029560	1
11	Cover Assembly, 325EFD CE E3	029723	1
12	Cover/Pop Rivet Assy, WAM E3 Sub Assy	029644	1
13	Grommet, 325 EFD-CE E3 Deck	029297	1
14	Grommet, 325EFD-CE E1 Deck	029298	1
15	Nut, 3/8-16 Hex Nyl Lock	F05010-10	9
16	Washer, 3/8 Fender	F05011-44	9
17	Bolt, 1/4-20x3/4 HH Gr5	F05005-123	8
18	Washer, 1 1/2 ANSI FT U	F05011-7	8
19	Rivet, 3/16x1/4 Button Head LgF	F04203-11	6
20	Grommet, 425EFDW-CE Edge 13 In	028439	1
21	Grommet, 325D CE Edge 3-1/4 In	029740	3
22	Grommet, 425EFDW-CE Edge 8 1/2 In	028440	1
23	Grommet, 425EFDW-CE Edge 6 In.	028441	1
24	Grommet, 425EFDW-CE Edge 16 In	028437	1
25	Grommet, 425EFDW-CE 19 In	028438	1



**3.5 Decks and Belts**

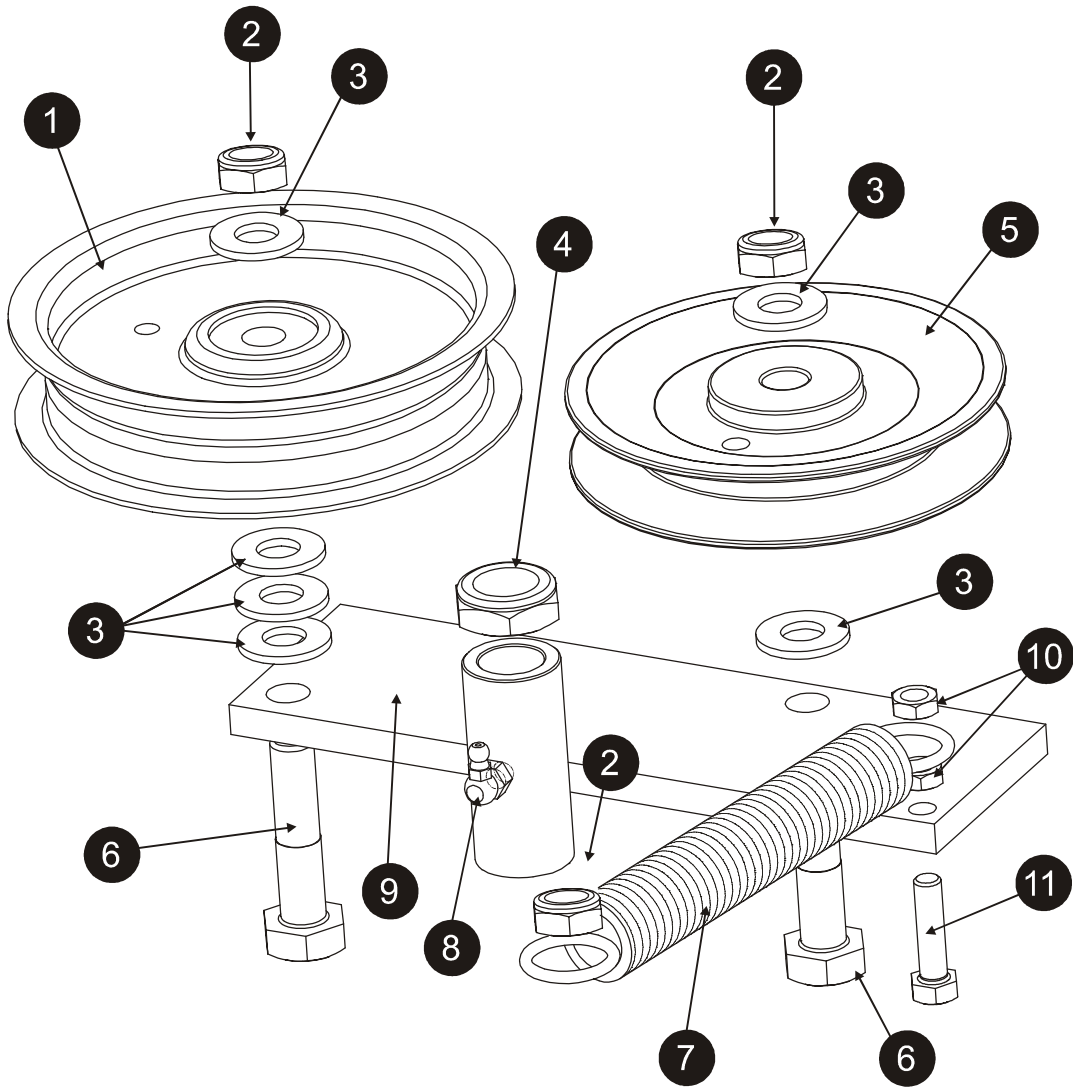
REF	DESCRIPTION	PART#	QTY.
1	Deck Assy, 425 Wam E1	◆	
2	Belt, Insta-power 85890	P706	2
3	Deck Assy, 425 Wam E4	◆	
4	Deck Assy, 425 Wam E2	◆	
5	Belt, Insta-power 85870	P707	1
6	Deck Assy, 425 Wam E3	◆	



**3.6 Deck E1 and E3 Idler Pulley Assembly**

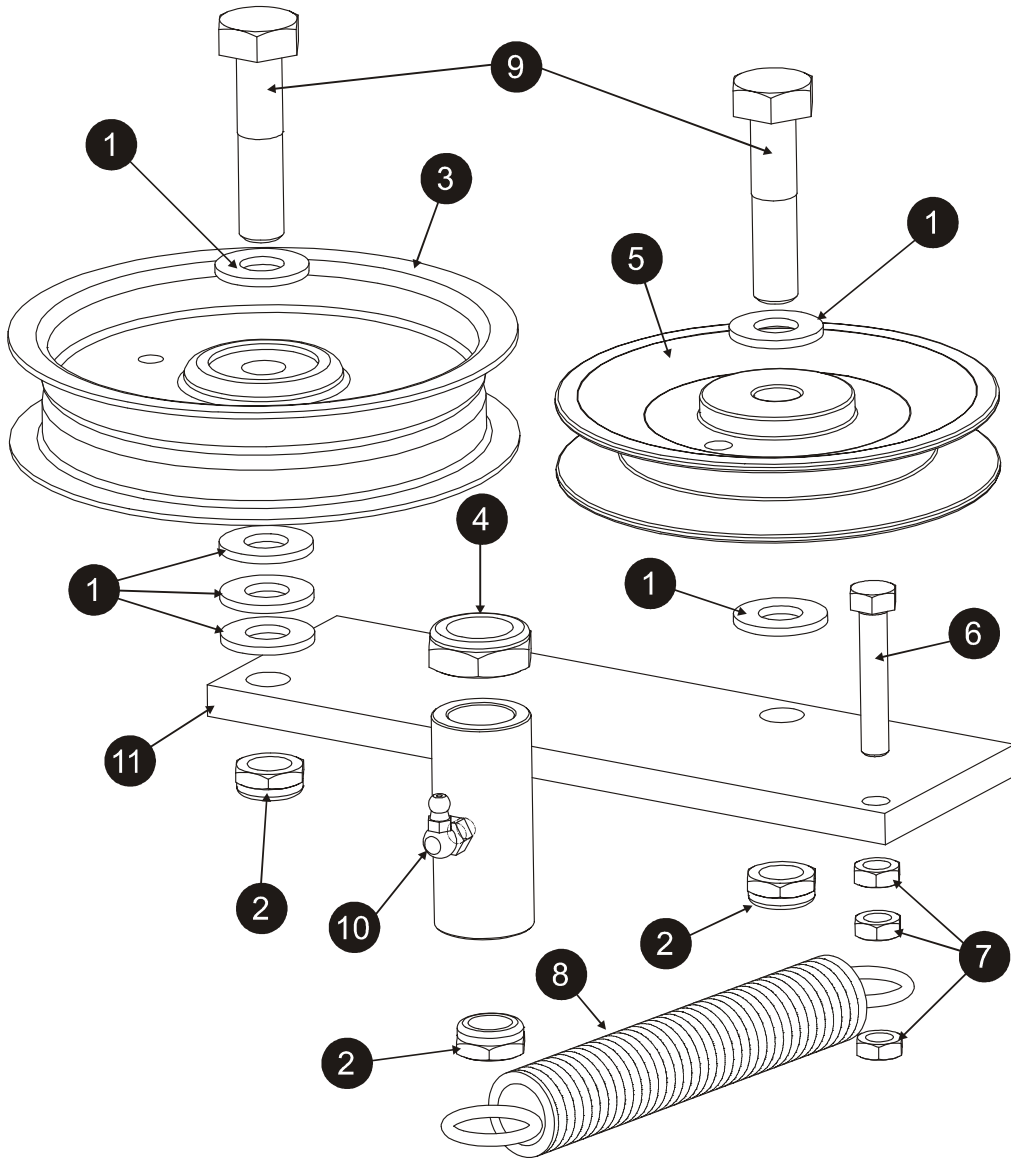
REF	DESCRIPTION	PART#	QTY.
1	Pulley, Idler Flat	P608	1
2	Nut, 1/2-13 Half Nyloc	F05010-127	3
3	Washer, 1/2 Sae Flat	F05011-2	6
4	Nut, 3/4-10 Half Nylon	F05010-122	1
5	Pulley, Idler V	P609	1
6	Bolt, 1/2-13x2 1/4 Hh Gr5	F05008-10	2
7	Spring, 1x7 Extension	P410	1
8	Fitting, Grease 90 Deg. 1/4-2	P123	1
9	Idler Wldmnt, 325e Low	029844	1
10	Nut, 5/16-18 Nylon Locking Jam	F05010-121	2
11	Bolt, 5/16-18x1 1/4 Hh Ft Gr5	F05006-93	1





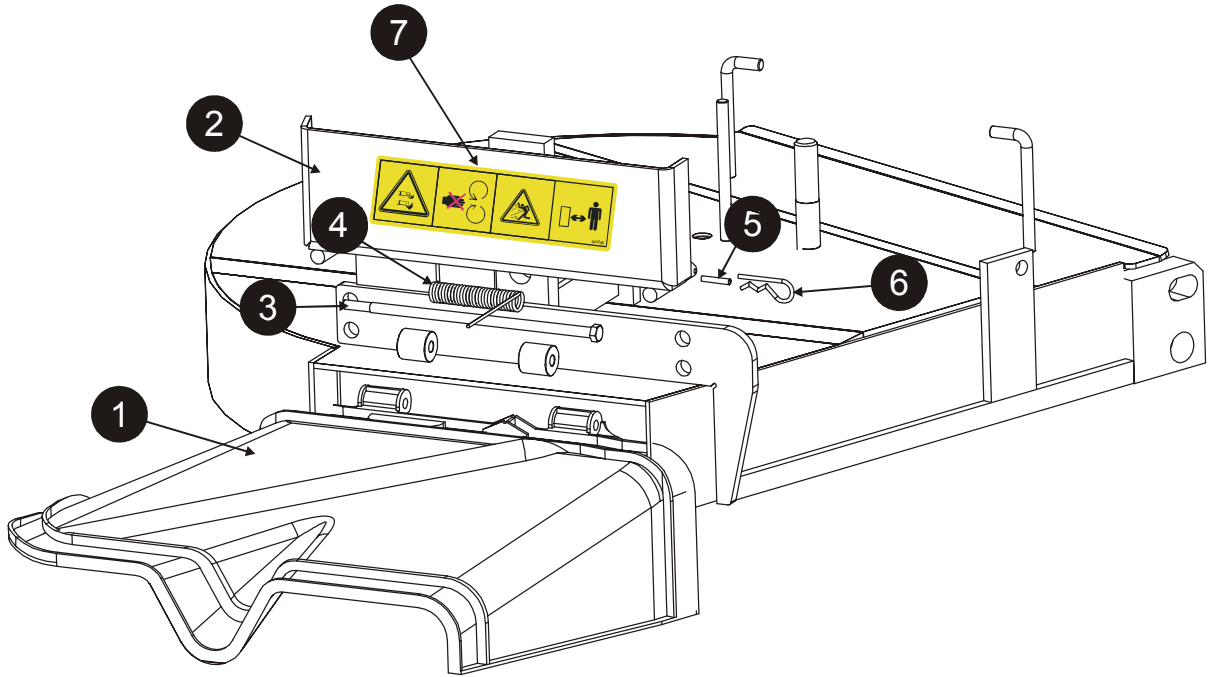
**3.7 Deck E4 Idler Pulley Assembly**

REF	DESCRIPTION	PART#	QTY.
1	Washer, 1/2 Sae Flat	F05011-2	6
2	Nut, 1/2-13 Half Nyloc	F05010-127	3
3	Pulley, Idler Fla	P608	1
4	Nut, 3/4-10 Half Nyloc	F05010-122	1
5	Pulley, Idler V	P609	1
6	Bolt, 5/16-18x1 3/4 Ft Gr5	F05006-81	1
7	Nut, 5/16-18 Nylon Locking Jam	F05010-121	3
8	Spring, 1x7 Extension	P410	1
9	Bolt, 1/2-13x2 HH Gr5	F05008-102	2
10	Fitting, Grease 90 Deg. 1/4-28	P123	1
11	Idler Wldmnt, 325ef High	029846	1



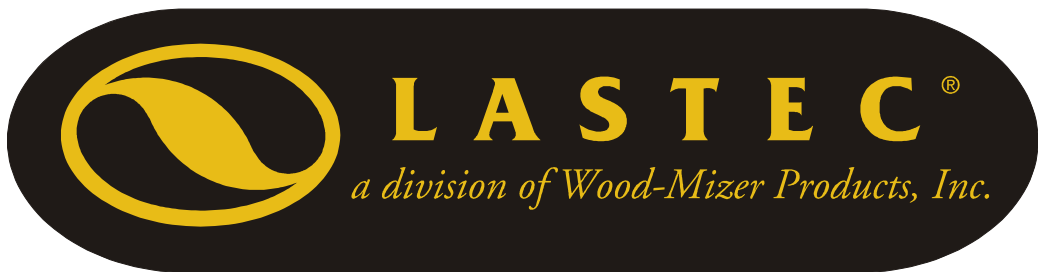
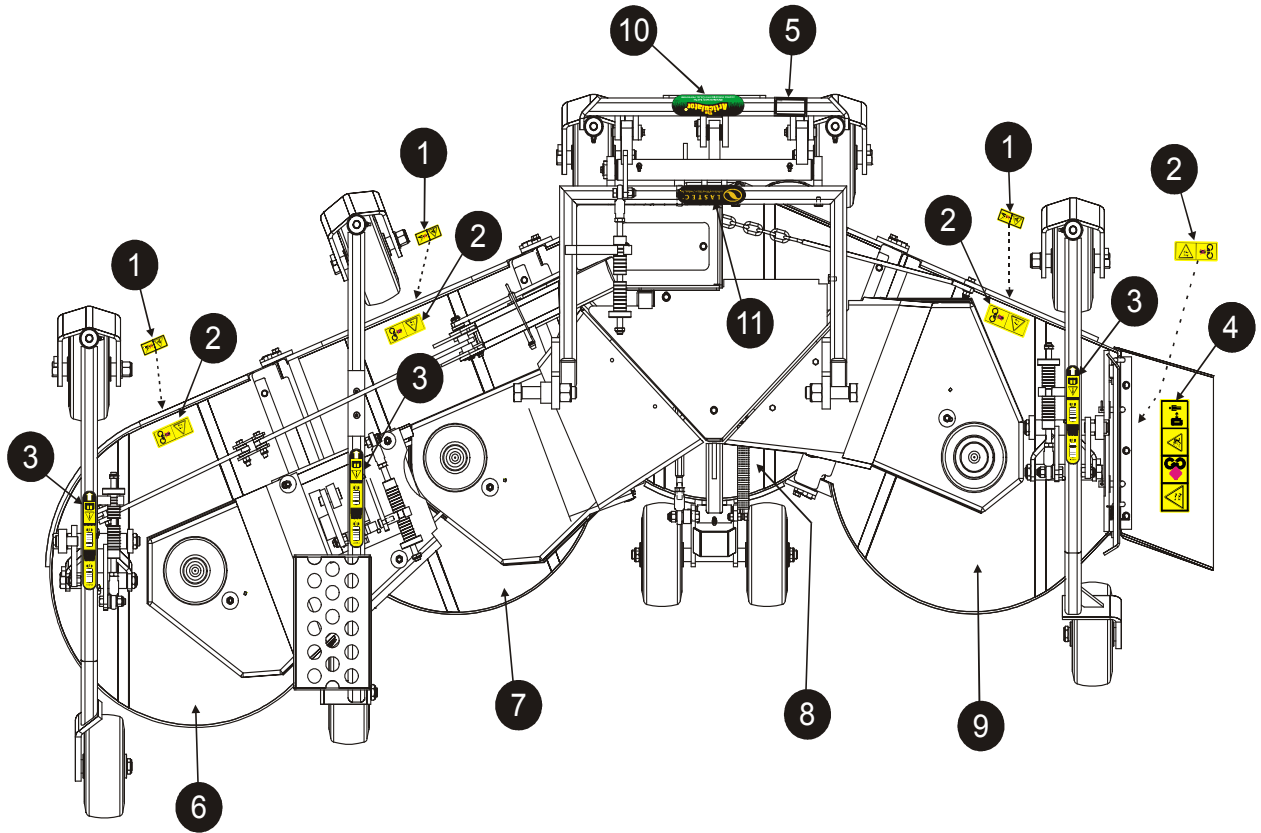
**3.8 Grass Chute & Mulching Plate Assemblies**

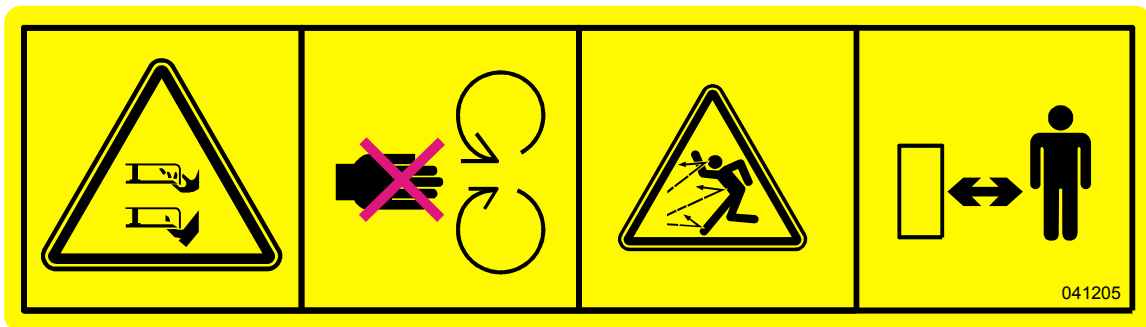
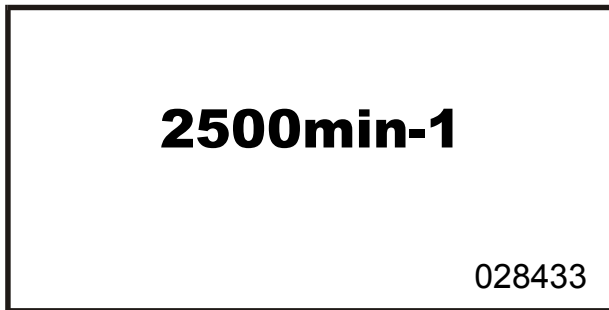
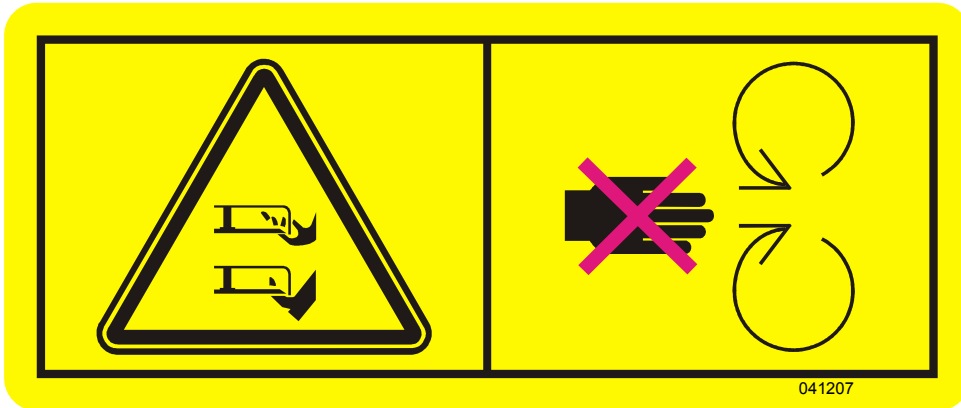
REF	DESCRIPTION	PART#	QTY.
1	Grass Chute, John Deere	041572	1
2	Plate Wldmt, Mulching Dam	041575	1
3	Bolt, 5/16-18x9 HH Gr5 Spcl	F05006-110	1
4	Spring, Deere RH Torsion	041714	1
5	Pin, 3/16x1 Roll	F05012-11	2
6	Pin, 1/8x1 13/16 Safety	P05059	2
7	Decal, Danger, "Rotating Blades" CE	041205	1



041205







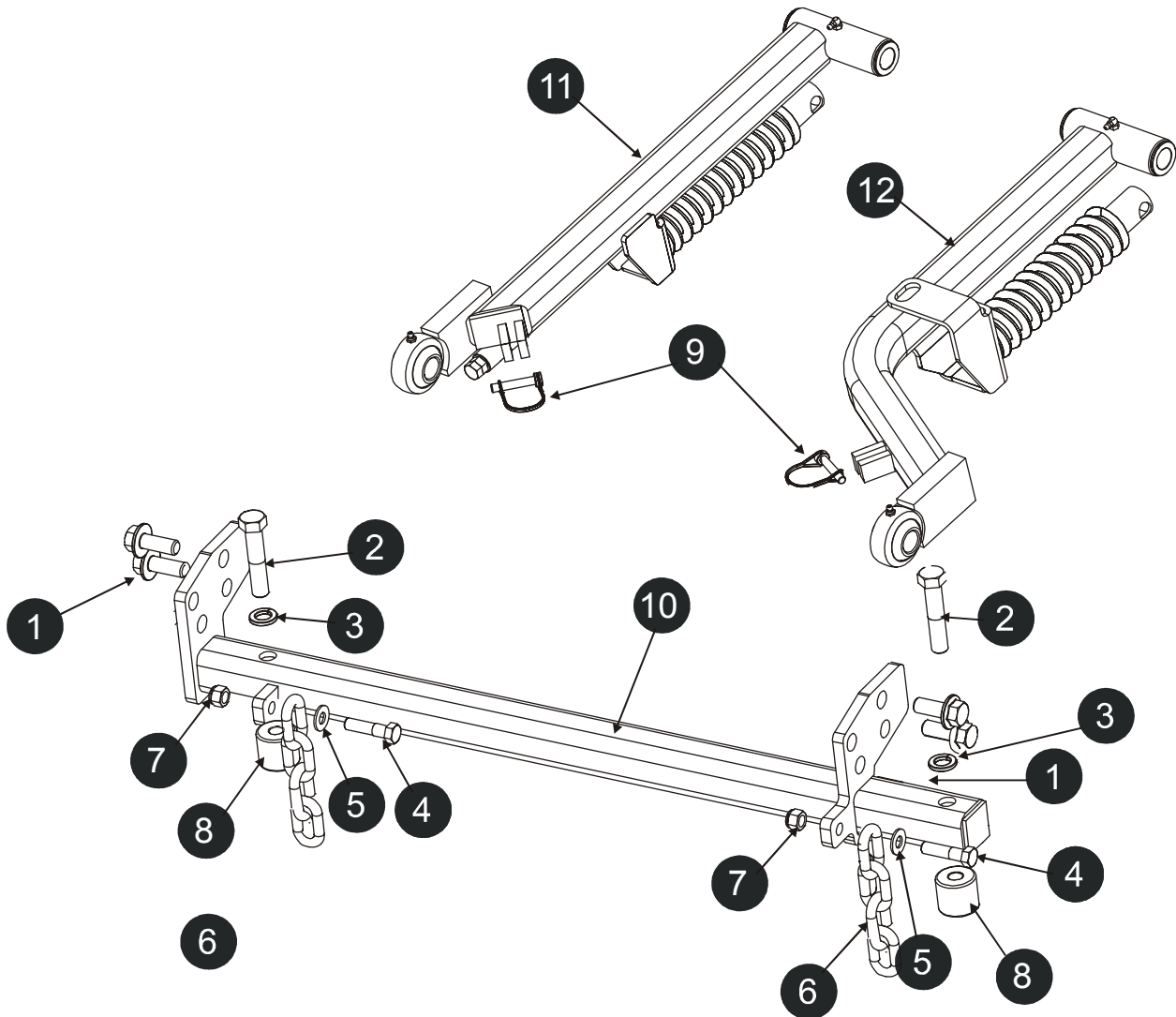
M118040 S





### 3.10 Deck Safety Latch

REF	DESCRIPTION	PART#	QTY.
1	Bolt, M12x1.75x30mm Hex Washer Head	F05004-173	4
2	Bolt, 1/2-13x2 1/2 Gr5	F05008-74	2
3	Washer, 1/2 Split Lock	F05011-9	2
4	Bolt, 3/8-16x1 1/2 HH Gr5	F05007-78	2
5	Washer, 3/8 SAE Flat	F05011-61	2
6	Chain, 5/16 x 4 Links	029829	2
7	Nut, 3/8-16 Hex Nyl Lock	F05010-10	2
8	Bumper, Metal Core 1/2 - 13	029992	2
9	Pin, 3/8x1 1/2 Lynch Zinc	029831	2
10	Deck Latch Mount Wldmt	029983	1

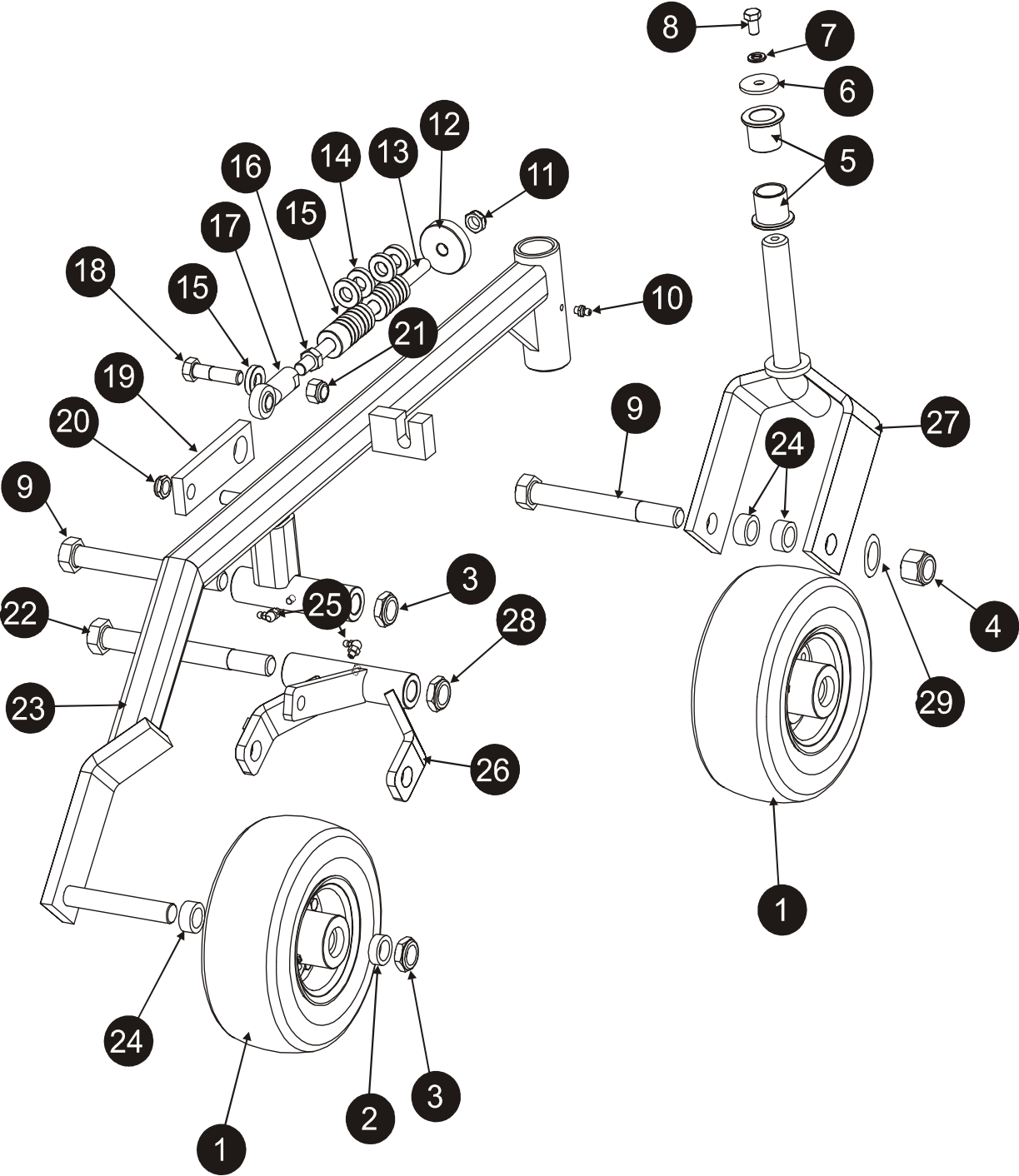




## SECTION 4: WHEELS

## 4.1 Deck E1 Rocker Leg Assembly

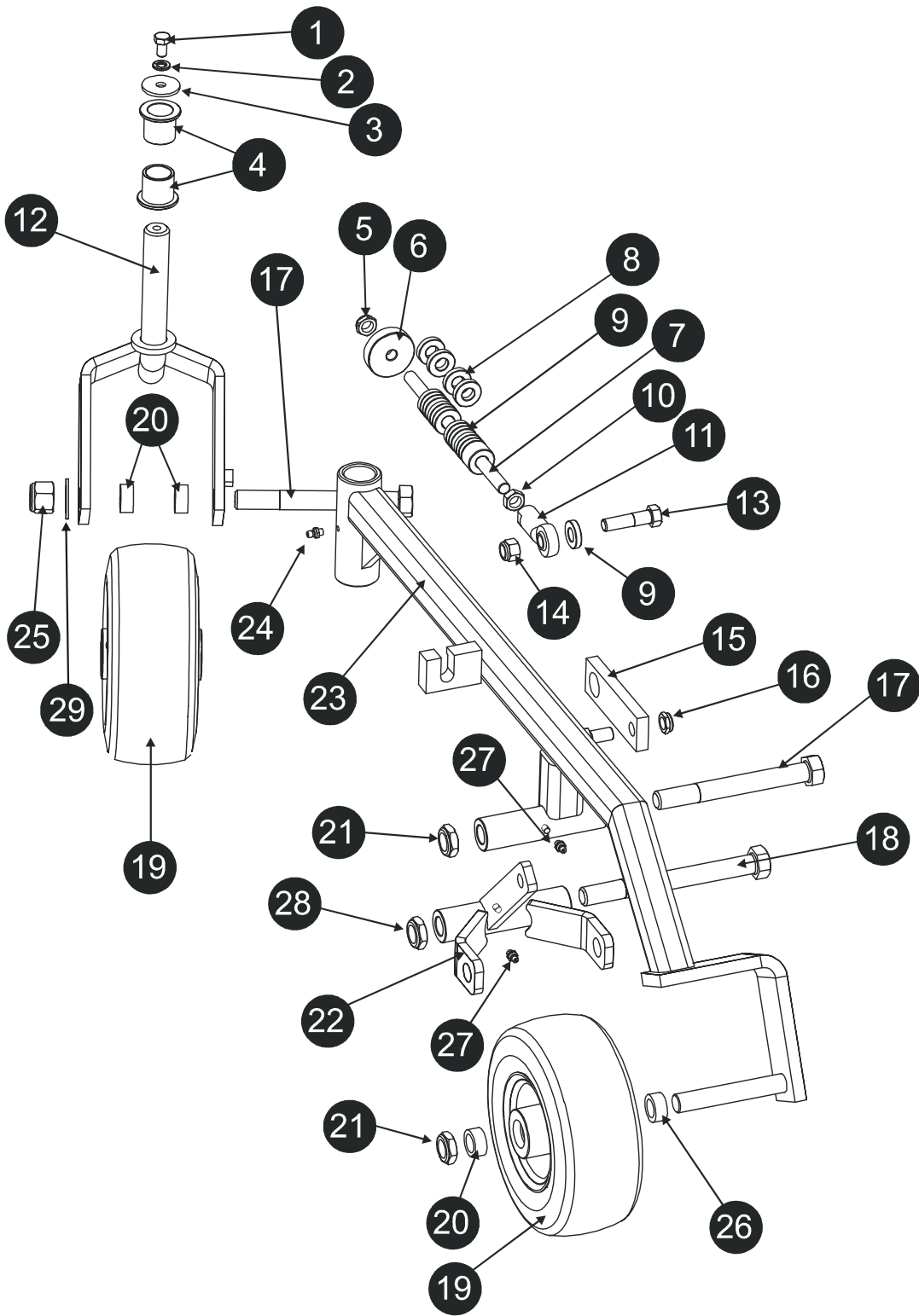
REF	DESCRIPTION	PART#	QTY.
1	Wheel Assy, 9x3.5 Uf Dm	029960	2
2	Spacer, Dual Wheel Outer Bearing	T125	1
3	Nut, 3/4-10 Half Nyloc	F05010-122	2
4	Nut, 3/4-10 Nylock	F05010-103	1
5	Bushing, 1in Id X 1-1/4 Od Flanged	P109	2
6	Washer, 3/8 Id X 1/8 Fender	F05011-104	1
7	Washer, 3/8 Split Lock	F05011-4	1
8	Bolt, 3/8-16x3/4 HH Gr5	F05007-118	1
9	Bolt, 3/4-10x6 1/2 Hh Gr5	F05013-70	2
10	Fitting, 1/4-28 Straight Grease	P107	1
11	Nut, 1/2-20 Jam Nyl Lock	F05010-79	1
12	Knob, 1/2-20 Steel Hand	019960	1
13	Rod Wldmnt, E1-e3 Deck Lock Yzc	019701	1
14	Spacer, 1/4 Thk Knurled	019650-1	4
15	Spacer, 1/4 Thk Deck Height	019650	13
16	Nut, 1/2-20 Hex Jam	F05010-16	1
17	Rod End, 1/2-20 Female	019348	1
18	Bolt, 1/2-13x2 Hh Gr5	F05008-102	18
19	Plate, Deck Limit Link	029814	1
20	Nut, 1/2-13 Half Nyloc	F05010-127	1
21	Nut, 1/2-13 Nyl Hex Lock	F05010-8	1
22	Bolt, 3/4-10x7 3/8 Hh Gr5 Zinc	F05013-73	1
23	Rocker Wldmnt, 425 Wam E1	029969	1
24	Spacer, 1.13 Od X 15/16 Id X .5	P296	3
25	Fitting, Grease 90 Deg. 1/4-28	P123	2
26	Pivot Weldmnt, 325ef E1	029804	1
27	Wheel Yoke Wldmnt, 9in E1 Yzc	029812	1
28	Nut, 3/4-10 2 Way Locking Jam	F05010-161	1
29	Washer, 3/4 SAE Flat	F05011-62	1



## 4.2 Deck E3 Rocker Leg Assembly

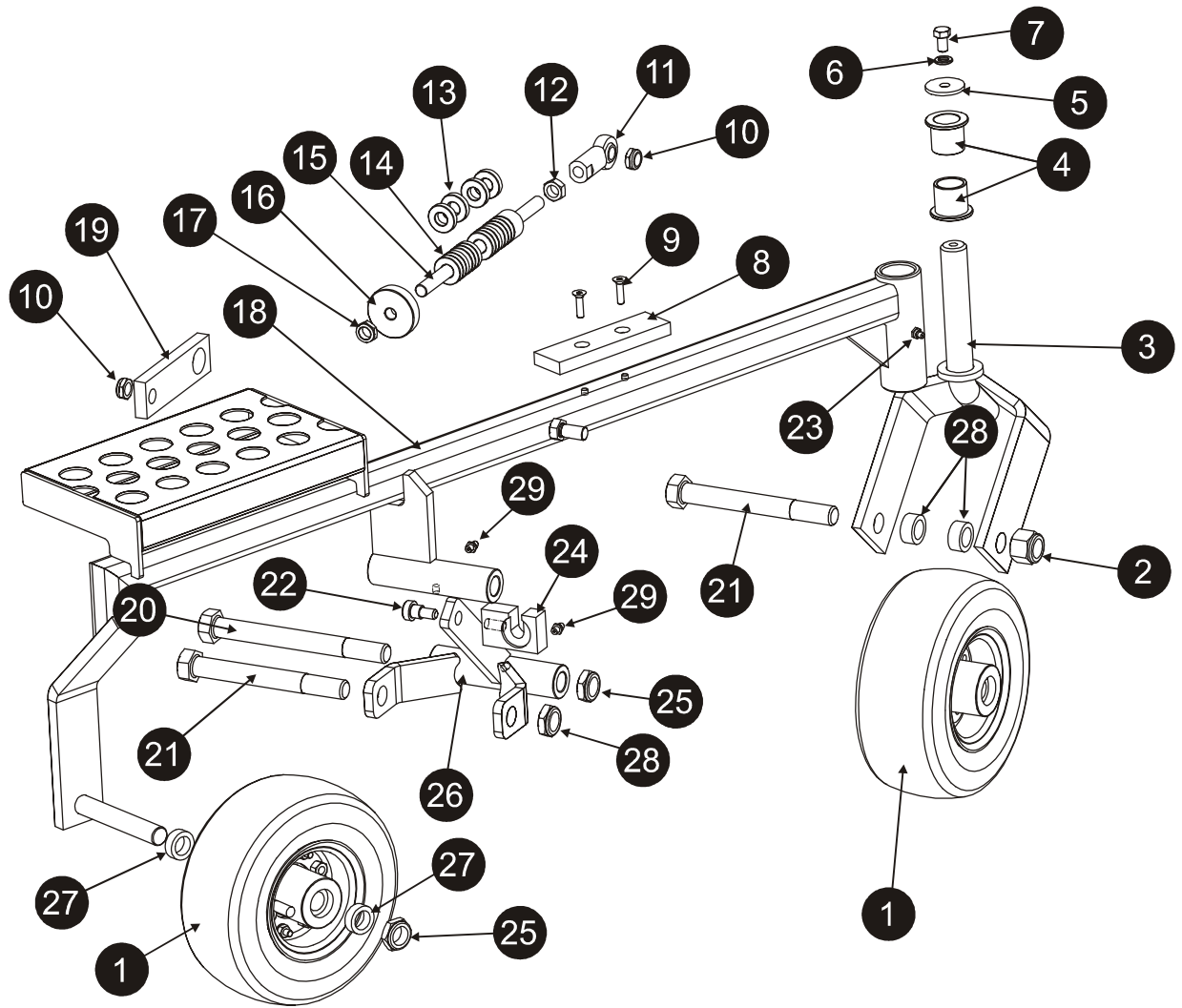
REF	DESCRIPTION	PART#	QTY.
1	Bolt, 3/8-16x3/4 Hh Gr5	F05007-118	1
2	Washer, 3/8 Split Lock	F05011-4	1
3	Washer, 3/8 Id X 1/8 Fender	F05011-104	1
4	Bushing, 1in Id X 1-1/4 Od Flanged	P109	2
5	Nut, 1/2-20 Jam Nyl Lock	F05010-79	1
6	Knob, 1/2-20 Steel Hand	019960	1
7	Rod Wldmnt, E1-e3 Deck Loc	019701	1
8	Spacer, 1/4 Thk Knurled	019650-1	4
9	Spacer, 1/4 Thk Deck Height	019650	13
10	Nut, 1/2-20 Hex Jam	F05010-16	1
11	Rod End, 1/2-20 Female	019348	1
12	Wheel Yoke Wldmnt, 9in E3	029809	1
13	Bolt, 1/2-13x2 Hh Gr5	F05008-102	1
14	Nut, 1/2-13 Nyl Hex Lock	F05010-8	1
15	Plate, Deck Limit Link	029814	1
16	Nut, 1/2-13 Half Nyloc	F05010-127	2
17	Bolt, 3/4-10x6 1/2 Hh Gr5	F05013-70	2
18	Bolt, 3/4-10x7 3/8 Hh Gr5 Zin	F05013-73	1
19	Wheel Assy, 9x3.5 Uf Dm	029960	2
20	Spacer, 1.13 Od X 15/16 Id X .5	P296	3
21	Nut, 3/4-10 Half Nyloc	F05010-122	2
22	Pivot Weldmnt, 325ef E3	029773	1
23	Rocker Wldmnt, 325ef E3	029759	1
24	Fitting, 1/4-28 Straight Grease	P107	1
25	Nut, 3/4-10 Nylock	F05010-103	1
26	Spacer, Dual Wheel Outer Bearing	T125	1
27	Fitting, Grease 90 Deg. 1/4-28	P123	2
28	Nut, 3/4-10 2 Way Locking Jam	F05010-161	1
29	Washer, 3/4 SAE Flat	F05011-62	1





## 4.3 Deck E4 Rocker Leg Assembly

REF	DESCRIPTION	PART#	QTY.
1	Wheel Assy, 9x3.5 Uf Dm	029960	2
2	Nut, 3/4-10 Nylock	F05010-103	1
3	Wheel Yoke Wldmnt, 9in E1 Yzc	029812	1
4	Bushing, 1in Id X 1-1/4 Od Flanged	P109	2
5	Washer, 3/8 Id X 1/8 Fender	F05011-104	1
6	Washer, 3/8 Split Lock	F05011-4	1
7	Bolt, 3/8-16x3/4 HH Gr5	F05007-118	1
8	Pad, 1-1/2 X 5-1/2 X 1/2 Delrin	019827	1
9	Screw, 1/4-20x1 Fhs	F05005-118	2
10	Nut, 1/2-13 Nyl Hex Lock	F05010-8	2
11	Rod End, 1/2-20 Female	019348	1
12	Nut, 1/2-20 Hex Jam	F05010-16	1
13	Spacer, 1/4 Thk Knurled	019650-1	4
14	Spacer, 1/4 Thk Deck Height	019650	12
15	Rod Wldmnt, E1-e3 Deck Lock Yzc	019701	1
16	Knob, 1/2-20 Steel Hand	019960	1
17	Nut, 1/2-20 Jam Nyl Lock	F05010-79	1
18	Rocker Wldmnt, 425ef E4	029785	1
19	Plate, Deck Limit Link	029814	1
20	Bolt, 3/4-10x7 3/8 Hh Gr5 Zinc	F05013-73	1
21	Bolt, 3/4-10x6 1/2 Hh Gr5	F05013-70	2
22	Screw, 1/2x3/8 Hex Socket Shoulder	F05008-119	1
23	Fitting, 1/4-28 Straight Grease	P107	1
24	Block, 425e E4 Deck Lock	029830	1
25	Nut, 3/4-10 Half Nyloc	F05010-122	2
26	Pivot Weldmnt, 425EF E4	029816	1
27	Spacer, Dual Wheel Outer Bearing	T125	2
28	Spacer, 1.13 OD x 15/16 ID x .5	P296	2
29	Fitting, Grease 90 Deg. 1/4-28	P123	2

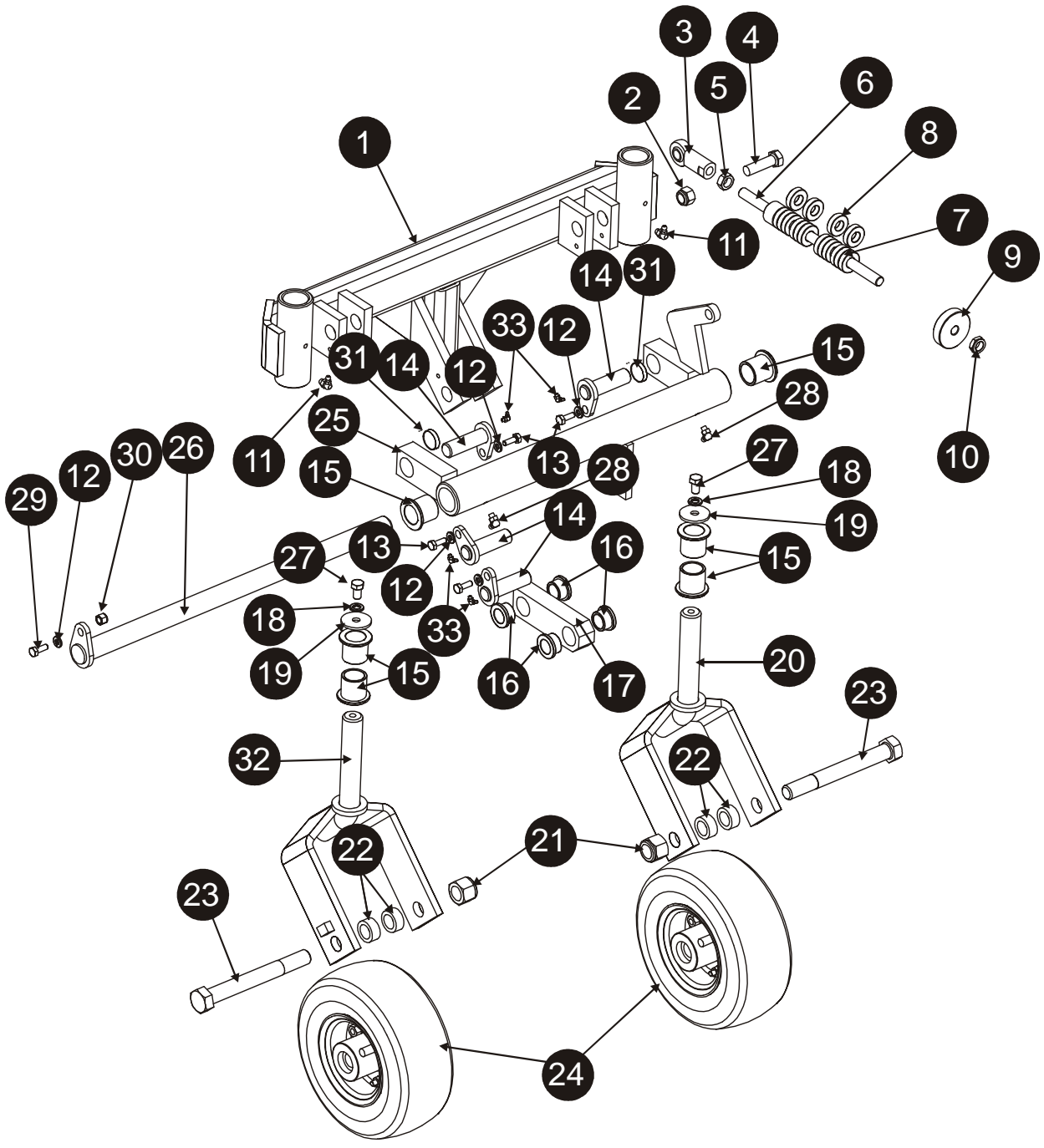


# 4 Wheels

## Front Axle Assembly

### 4.4 Front Axle Assembly

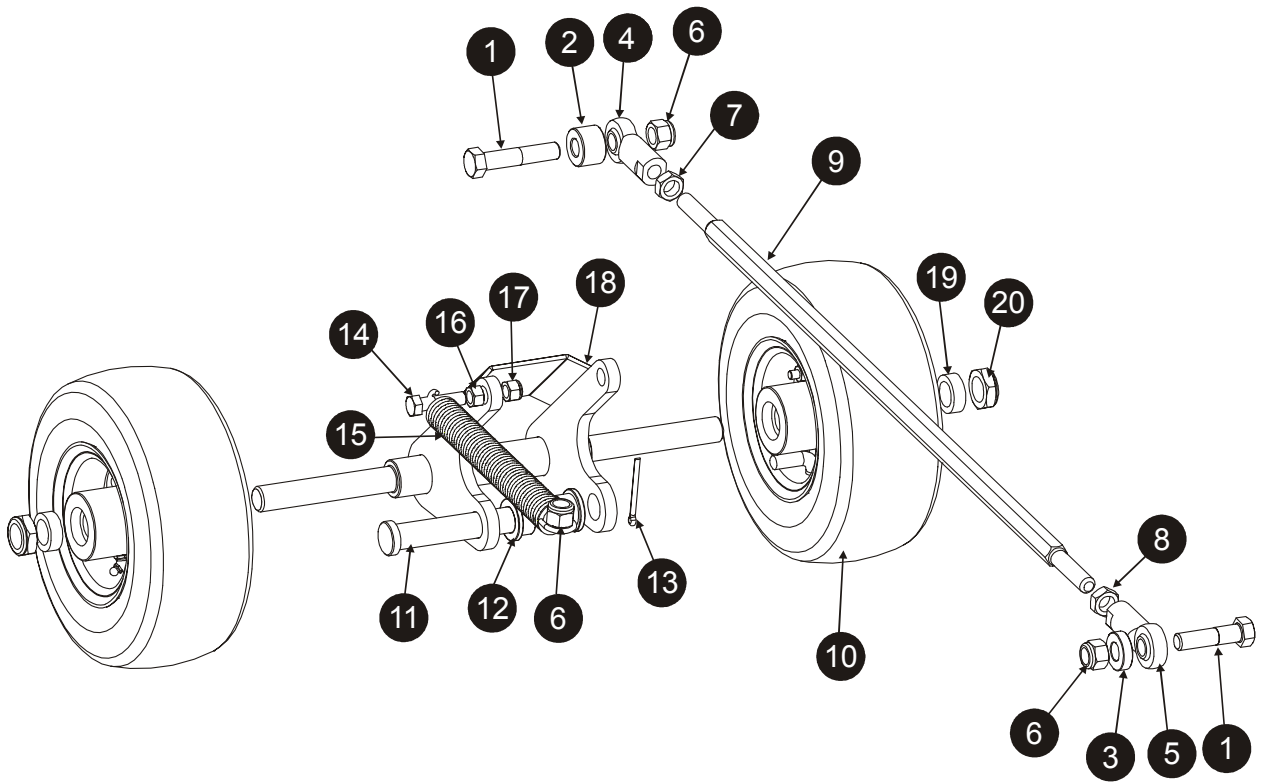
REF	DESCRIPTION	PART#	QTY.
1	Axle Wldmnt, Front Ef	029763	1
2	Nut, 1/2-13 Nyl Hex Lock	F05010-8	1
3	Rod End, 1/2-20 Female	019348	1
4	Bolt, 1/2-13x2 Hh Gr5	F05008-102	1
5	Nut, 1/2-20 Hex Ja	F05010-16	1
6	Rod Wldmnt, E2 Deck Lock	019702	1
7	Spacer, 5/16 Thk Deck Height	019651	12
8	Spacer, 5/16 Thk Knurled	019651-1	4
9	Knob, 1/2-20 Steel Hand	019960	1
10	Nut, 1/2-20 Jam Nyl Lock	F05010-79	1
11	Fitting, Grease 90 Deg. 1/4-28	P123	2
12	Washer, 3/8 Split Lock	F05011-4	4
13	Bolt, 3/8-16x3/4 Hh Gr5 W/nylon Patch	F05007-168	4
14	Pin Wldmnt, Rear Deck Hinge	028633	4
15	Bushing, 1in Id X 1-1/4 Od Flanged	P109	6
16	Bushing, Bronze, 3/4 Id X 5/8 Lg	P403	4
17	Arm, Lower Pivot Lever	019639	1
18	Washer, 3/8 Split Lock	F05011-4	2
19	Washer, 3/8 Id X 1/8 Fender	F05011-104	2
20	Wheel Yoke Wldmnt, 9in E3	029809	2
21	Nut, 3/4-10 Nylock	F05010-103	2
22	Spacer, 1.13 Od X 15/16 Id X .5	P296	4
23	Bolt, 3/4-10x6 1/2 Hh Gr5	F05013-70	2
24	Wheel Assy, 9 X 3.5, 3/4 Trb, Dm	029959	2
25	Pivot Wldmnt, Deere Pull Arm	019729	1
26	Pin Weldmnt, Deck Pull	018473	1
27	Bolt, 3/8-16x3/4 Hh Gr5	F05007-118	2
28	Fitting, 1/4-28 Straight Grease	P107	2
29	Bolt, 1/4-20x1 1/2 Hh Gr5	F05005-124	1
30	Nut, 1/4-20 Nyl Lock	F05010-69	1
31	Bushing, 3/4id X 1od X 1Ing Oil	029842	2
32	Wheel Yoke Wldmnt, 9in E1	029812	1
33	Fitting, 1/4-28 90deg Grease	P123	2



## 4.5 Rear Axle Assembly

REF	DESCRIPTION	PART#	QTY.
1	Bolt, 1/2-13x2 1/2 Gr5	F05008-74	1
2	Spacer, Deck Lift Stop	019699	1
3	Spacer, 5/16 Thk Deck Height	019651	1
4	Rod End, 1/2-20 Female	019348	1
5	Rod End, 1/2-20 Female Left Hand	019347	1
6	Nut, 1/2-13 Nyl Hex Lock	F05010-8	3
7	Nut, 1/2-20 Hex Jam	F05010-16	1
8	Nut, 1/2-20 Lh Jam Znc	F05010-165	1
9	Rod, Rr Whl Deck Lift Ef E2	019983	1
10	Wheel Assy, 9 X 3.5, 3/4 Trb	029959	2
11	Pin, E2 Rear Wheel Pivot	P122	1
12	Bushing, Bronze, 3/4 Id X 5/8 Lg	P403	2
13	Pin, 5/32x1 3/4 Cotter	P193	1
14	Bolt, 3/8-16x1 1/2 Hh Gr5	F05007-78	1
15	Spring, 1x8 3/8 Leg 325e-98	019277	1
16	Nut, 3/8-16 Hex	F05010-1	1
17	Nut, 3/8-16 Hex Nyl Lock	F05010-10	1
18	Axle Wldmnt, Ef E2 Rear	019658	1
19	Spacer, Dual Wheel Outer Bearing	T125	2
20	Nut, 3/4-10 Half Nyloc	F05010-122	2
21	Bolt, 1/2-13x2 Hh Gr5	F05008-102	1

**4** **Wheels**  
*Rear Axle Assembly*



**4****Wheels***9"x3.5" Wheel Assemblies, Pneumatic & Foam-Filled*

---

**4.6 9"x3.5" Wheel Assemblies, Pneumatic & Foam-Filled**

REF	DESCRIPTION	PART #	QTY.
1	Wheel Assy, 9 X 3.5 Uf	029960	1
	Wheel Assy, 9 X 3.5, 3/4 Trb,	029959	1
2	Bearing Seal, Trb, 3/4" Id	P293	2
3	Bearing, Tapered Roller, 3/4 Id	P292	2
4	Bearing Race Insert, 3/4" Trb	P402	2
5	Fitting, 1/4-28 Straight Grease	P107	1



