

# 138 HYLAB

## HSL SERIES

### Lattice Boom Crawler Crane 80 ton (72.6 mt)

- Cutting Edge winch package with wet brake design and matching front & rear drums (line pull)
- 3-piece counterweight system, designed with innovative counterweight removal system
- 40' - 200' (12.19 - 60.96 m) Tubular boom
- Maximum tip height of tubular boom + Jib: 242' (73.76 m)
- HSL Capacity limiter with high visibility color graphic display
- Superior Capacities
- Dual Swing drive provides smooth swing control
- Transport complete crane with base section, drums with rope and self assembly device, less counterweight at under 90,000 lbs.
- Optional 3rd & 4th drum



**Link-Belt**  
CRANES

# 138 HYLAB HSL SERIES

## Lattice Boom Crawler Crane 80 ton (72.6 mt)

- Transport complete crane with base section, drums with rope and self assembly device, less counterweight under 90,000 lbs.
- New winch package with wet brake design
- 3-piece counterweight system, designed with innovative counterweight removal system
- Superior capacities



Exclusive axle extension wings easily swing out for wide gauge working position and quickly and easily swing in for working in tight areas and for transport.



Rope guards and polyamide sheaves

Remote-control operated hydraulic counterweight removal cylinders

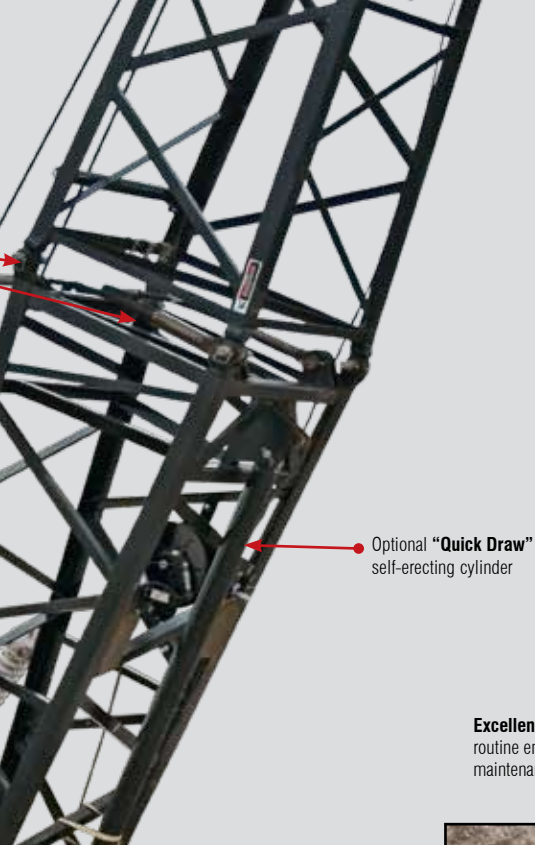
Counterweight "biscuit" design allows for various configuration options and easy transport

Multi-speed travel

Non-slip safety strips, full-length catwalks and sideframe steps provide sure-footed access to the crane upper

Two connection points on boom base. One set of lugs are for cantilever boom. Second set is for assembling machine using the quickdraw cylinder.

- Full contact 36" track shoe design for maximum contact area minimizes ground bearing pressure
- Completely sealed lower, hydraulic cylinder track tensioning and travel limit adjustment
- Sealed (oil-filled) upper & lower rollers, replaceable upper wear bar, compact, high torque final drives



Optional "Quick Draw" self-erecting cylinder



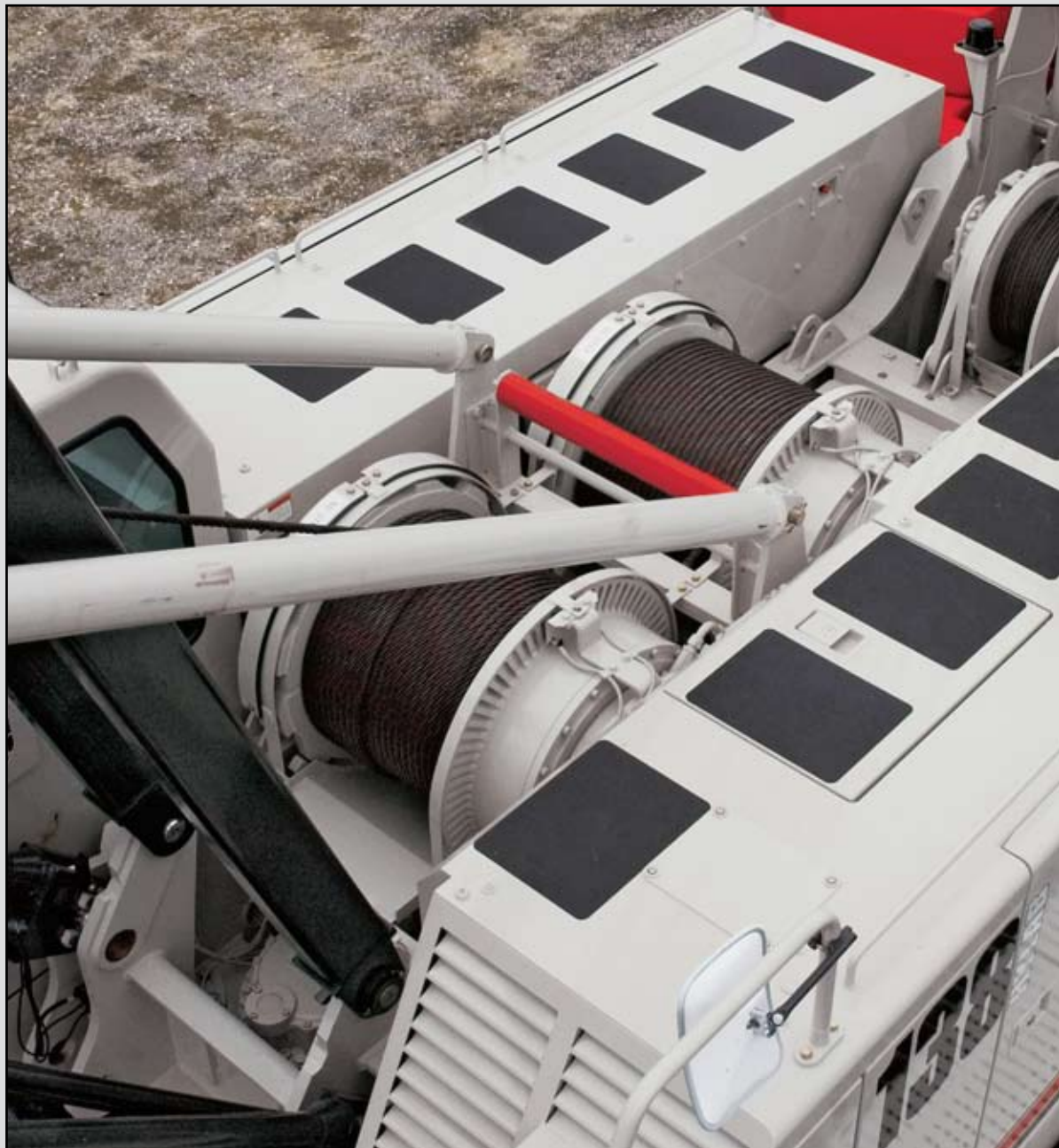
Excellent access for all routine engine and hydraulic maintenance

## Heavy-duty power for the most demanding jobs

- Smooth, quite efficient Isuzu power with total horsepower control provides unmatched line speeds under loads, as well as multi function ability
- Matching hoist drums with 7/8" inch rope and 2 operating modes
- Power up power down with automatic brake
- Free fall with Link-Belts exclusive "wet brake design" provides best "feel" and control of any wet brake design provides smooth performance

### Options include:

- **Third drum** features controlled free spooling capability for pile driving applications or power up/down
- **Rear mount fourth drum** — High line pull with free fall





## Highly functional and comfortable cab

- Wide, uncluttered entry
- 18,600 BTU air-conditioning
- 19,000 BTU hot water heating
- Six-way adjustable seat
- Easy-to-read backlit gauges
- Adjustable armrest console with pilot-operated single-axis controls
- Hydraulic pilot controls for variable hoist, swing and travel performance
- Variable hydraulic output from main pumps controlled by variable hand throttle for infinite control
- Fingertip high speed hoist button for front and rear drum
- Low-effort hydraulic pedals with minimal range of motion can remain latched for power up/down operation
- Full function rated capacity limiter monitored by load sensing via boom hoist mounted load cell
- HSL capacity limiter with high visibility color graphic display

## Outstanding standard features

- **Dual swing drives** provide smooth swing control
- **Full length fold up catwalks** on both sides of the upper house
- **Left and right side access points** offers maximum accessibility



## 138 HSL attachments are versatile and strong

### Tube boom

- 40' - 200' (12.19 m - 60.96 m) heavy-duty tubular boom
- Maximum tip height tube boom & jib 242' (73.76 m)

### Angle Boom

- 40' - 150' (12.19 - 45.72 m)
- Maximum tip height of angle boom + jib 204' (62.18 m).

### Fixed Jib

- 30' - 60' (9.14 - 18.29 m) tubular jib
- Offset angles at 5°, 15° and 25°

### Auxiliary 5' tip extension

- Designed to use in place of jib to provide clearance between working hoist lines
- Maximum capacity is 9 ton (8.16 mt).



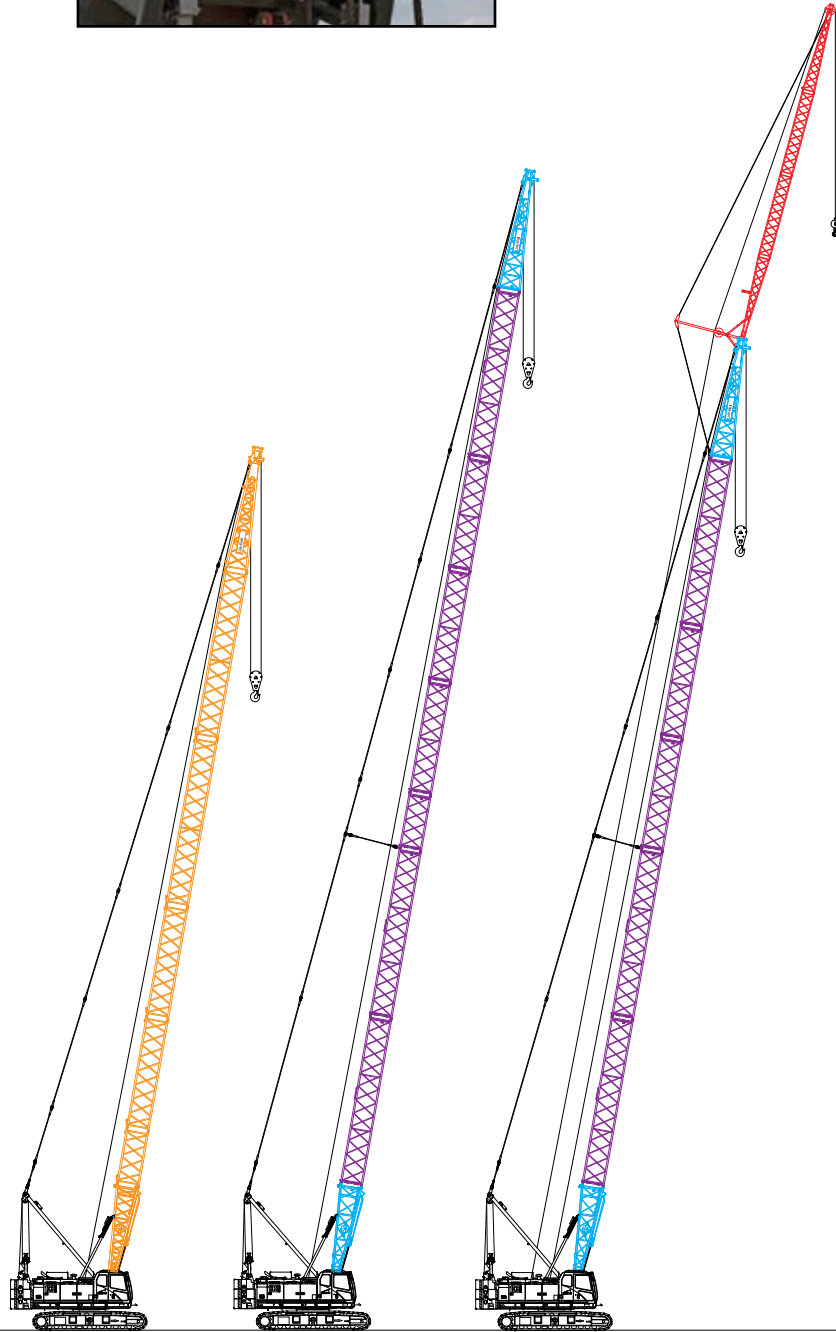
The boom top section features **heavy duty polyamide sheaves** and standard **pin-on points** for attachment of options such as a fixed jib, tip extension and adapters for universal pile driving leads. **Narrow head machinery** allows pendants to rest on top of boom extensions.

**In-line boom suspension load cell**, standard with anti-two block system for both front and rear drum.

Optional pile driving lead adapter, extended head shaft for hanging leads, three sheave idler to separate load lines



↑ **Double tapered connecting pins** allow installation/removal from outside of boom. Boom connecting pins store in picture frame of boom extensions for transport.



40 - 150 FT  
MAIN ANGLE BOOM

40 - 200 FT  
MAIN TUBE BOOM

40 - 180 FT  
MAIN BOOM WITH  
30 - 60 FT OFFSET JIB



Counterweights lower completely to the ground

## Transportability and assembly

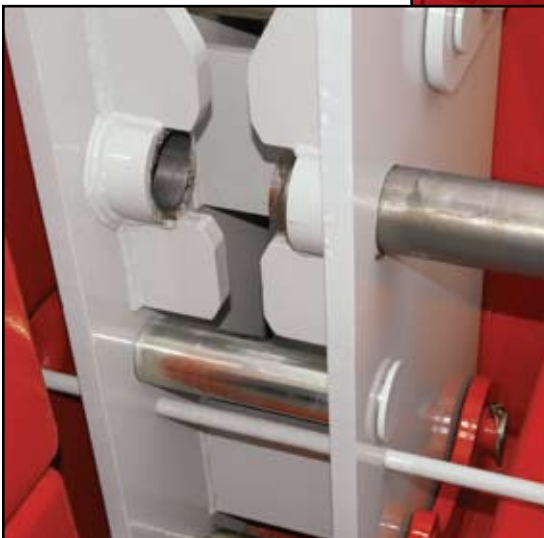
- Main load transports with crawlers, rope and base
- Transports in 3 loads total
- 3-piece counterweight system is designed for easy handling and blended load-outs
- Innovative counterweight removal system — hydraulic counterweight cylinders remain with counterweight to reduce base machine transport weight
- Standard left and right catwalks easily fold up for transport
- Lift Hooks in base standard

## “Quick Draw”

Quick draw single hydraulic cylinder mounted in boom base section is used for self-assembly and disassembly — no need for a helper crane or special rigging block — includes lifting sling — option



Simple lever action disengages counterweight pins from upper



**Link-Belt**  
CRANES

Lexington, Kentucky  
www.linkbelt.com

© Link-Belt is a registered trademark. Copyright 2009. All rights reserved. We are constantly improving our products and therefore reserve the right to change designs and specifications.

Litho in U.S.A. 11/09 578 #4369 (supersedes #4347)

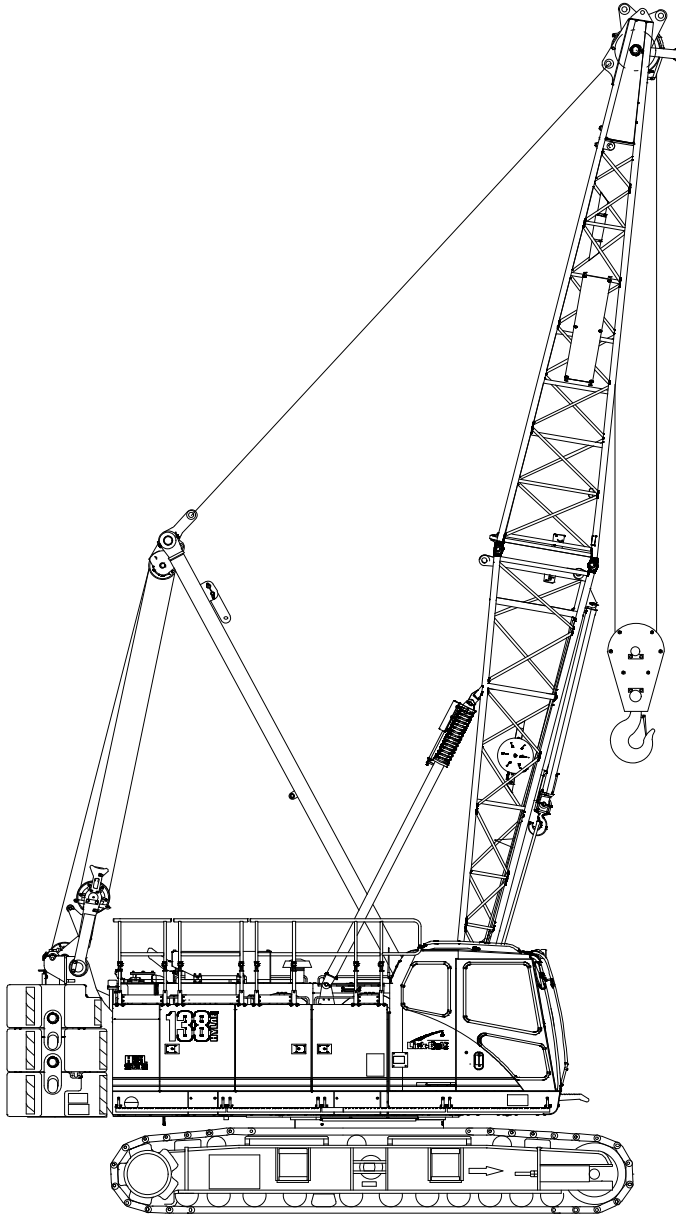
# Technical Data

## Specifications & Capacities

# 138

HYLAR B

**HSL Crawler Crane**  
80 Ton (72.6 metric ton)



**CAUTION:** This material is supplied for reference use only. Operator must refer to in-cab Crane Rating Manual and Operator's Manual to determine allowable crane lifting capacities and assembly and operating procedures.





# Table Of Contents

<b>Upper Structure</b> .....	<b>1</b>
Frame .....	1
Engine .....	1
Hydraulic System .....	1
Load Hoist Drums .....	1
Optional Front–Mounted Third Hoist Drum .....	1
Optional Rear–Mounted Fourth Hoist Drum .....	2
Boom Hoist Drum .....	2
Swing System .....	2
Counterweight .....	2
Operator Cab .....	2
Rated Capacity Limiter System .....	2
Boom Hoist System .....	2
Machinery Cab .....	2
Catwalks .....	2
<b>Lower Structure</b> .....	<b>3</b>
Carbody .....	3
Side Frames .....	3
Travel and Steering .....	3
Optional .....	3
<b>Attachment and Options</b> .....	<b>3</b>
Conventional Tube Boom .....	3
Angle Boom .....	4
Tube Jib .....	4
Auxiliary Tip Extension .....	4
<b>Dimensions</b> .....	<b>5</b>
Base Crane .....	7
Side Frames .....	7
Upper Counterweights .....	8
Boom .....	9
Jib .....	11
Hook Balls .....	12
Hook Blocks .....	13
<b>Working Weights</b> .....	<b>13</b>
<b>Transport Weights</b> .....	<b>14</b>
<b>Transport Drawings – Tube Boom</b> .....	<b>15</b>
<b>Load Hoist Performance</b> .....	<b>16</b>
Front or Rear Drum – 7/8 in (22.4mm) Wire Rope .....	16
Boom Hoist Drum – 5/8 in (16mm) Wire Rope .....	16
Front Mounted Third Drum – 5/8 in (16mm) Wire Rope .....	16
Rear Mounted Fourth Drum – 7/8 in (22.4mm) Wire Rope .....	16
<b>Working Areas</b> .....	<b>17</b>
<b>Attachments</b> .....	<b>18</b>
<b>Tube Boom Make–up</b> .....	<b>19</b>

<b>Tube Boom Working Range Diagram</b> .....	<b>20</b>
<b>Tube Boom Load Chart</b> .....	<b>21</b>
<b>Angle Boom Make—up</b> .....	<b>23</b>
<b>Angle Boom Working Range Diagram</b> .....	<b>24</b>
<b>Angle Boom Load Chart</b> .....	<b>25</b>
<b>Jib Attachment Make—up</b> .....	<b>26</b>
<b>Tube Boom + Jib Working Range Diagram</b> .....	<b>27</b>
<b>Tube Boom + Jib Load Charts</b> .....	<b>28</b>
<b>Angle Boom + Jib Working Range Diagram</b> .....	<b>31</b>
<b>Angle Boom + Jib Load Charts</b> .....	<b>32</b>

# Upper Structure

## Frame

All welded steel frame with precision machined surfaces for mating parts.

### Turntable Bearing

- Inner race with internal swing gear is bolted to lower frame.
- Outer is race bolted to upper frame.

## Engine

### Engine

Full pressure lubrication, oil filter, air cleaner, hour meter, throttle, and electric control shutdown.

### Cummins QSB6.7 Tier 4 Final

Number of cylinders	6
Bore and stroke	4.20 in x 4.88 in (107 x 124mm)
Piston displacement	408 in <sup>3</sup> (6.8L)
Engine rpm at full load speed	2,000 rpm
Hi-idle rpm	2,000 rpm
Gross engine hp	270 hp (210kw)
Peak torque	730 ft lb (990joule) @ 1,500 rpm
Electrical system	24 volt
Fuel tank capacity	122 gal (460L)
Batteries	2—12 volt
Approximate fuel consumption	gal/hr (L/hr)
100% hp	12.62 (47.77)
75% hp	10.57 (40.01)
50% hp	7.57 (28.66)
25% hp	4.16 (15.75)

### Fuel Tank

Equipped with fuel sight level gauges, flame arrester, and self-closing cap with locking eye for padlock.

## Hydraulic System

### Hydraulic Pumps

The pump arrangement is designed to provide hydraulically powered functions allowing positive, precise control with independent or simultaneous operation of all crane functions.

- Two variable displacement pumps operating at 4,550 psi (320kg/cm<sup>2</sup>) and 70 gal/min (266L/min) powers load hoist drums, boom hoist drum, optional third drum, optional fourth drum, and travel.
- One variable displacement pump operating at 4,625 psi (325kg/cm<sup>2</sup>) and 40 gal/min (152L/min) powers the swing motor.
- One fixed displacement gear type pump operating at 2,985 psi (210kg/cm<sup>2</sup>) and 15 gal/min (57L/min) powers the hydraulic counterweight self-assembly system, side frame extend/retract cylinder and optional quick draw cylinder.
- One fixed displacement gear type pump operating at 1,420 psi (100kg/cm<sup>2</sup>) and 10 gal/min (39L/min) powers the hydraulic remote control system.
- One fixed displacement gear type pump operating at 1,420 psi (100kg/cm<sup>2</sup>) and 8 gal/min (30L/min) powers the optional tagline winch.

### Pump Control (“Fine Inching”) Mode

Special pump setting, selectable from the operator’s cab, that allows very slow movements of load hoist drums, boom hoist drum, and travel for precision work.

### Hydraulic Reservoir

66 gal (250L), equipped with sight level gauge. Diffusers built in for deaeration.

### Filtration

Ten micron, full flow, line filter in the control circuit. All oil is filtered prior to entering the reservoir.

### Counterbalance Valves

All hoist motors are equipped with counterbalance valves to provide positive load lowering and prevent accidental load drop if the hydraulic pressure is suddenly lost.

## Load Hoist Drums

Each drum contains an axial piston, fixed speed hydraulic motor with individual automatic winch motor brakes. Power flow is directed through a patented, semi-out-board mounted, “wet” style multi-disc brake. The brake is mounted on the “output” side of the planetary, which greatly reduces drag associated with most “wet” style brakes in free-fall mode.

- Power up/down & free-fall operation modes
- Automatic brake mode (spring applied, hydraulically released, wet type brake)
- Drum lagging grooved for wire rope
- Drum pawl controlled manually
- Electronic drum rotation indicators
- Mounted on anti-friction bearings
- 19.2 in (488mm) root diameter
- 33.1 in (840mm) flange diameter
- 20.8 in (529mm) width

The free-fall operation mode is designed to prevent load lowering even if the free-fall switch is accidentally activated.

The automatic brake mode meets all OSHA requirements for personnel handling.

## Optional Front-Mounted Third Hoist Drum

The hydraulic winch is pinned to the front of the upper frame and is used in conjunction with a fleeting sheave and 3-sheave idler assembly to run the wire rope over the boom top section.

- Controlled free spooling capability for pile driving applications.
- 10.6 in (270mm) root diameter
- 20 in (508mm) flange diameter
- 13.5 in (343mm) width
- Mounted on anti-friction bearings

## Optional Rear—Mounted Fourth Hoist Drum

Drum contains an axial piston, variable speed hydraulic motor with individual automatic winch motor brakes. Power flow is directed through a patented, semi—outboard mounted, “wet” style multi—disc brake.

- Power up/down & free—fall operation modes
- Automatic brake mode (spring applied, hydraulically released, wet type brake)
- Drum lagging grooved for wire rope
- Drum pawl controlled manually
- Electronic drum rotation indicators
- Mounted on anti—friction bearings
- 18.0 in (457mm) root diameter
- 30.7 in (780mm) flange diameter
- 19 in (483mm) width
- Pins to rear of upper frame
- Plumbing and valving standard with main unit

The free—fall operation mode is designed to prevent load lowering even if the free—fall switch is accidentally activated.

The automatic brake mode meets all OSHA requirements for personnel handling.

## Boom Hoist Drum

Contains a pilot controlled, bi—directional, axial piston motor and a planetary gear reduction unit to provide positive control under all load conditions.

- Spring applied, hydraulically released, disc type brake controlled automatically
- Drum lagging grooved for wire rope
- Drum pawl controlled automatically
- Mounted on anti—friction bearings
- 17.7 in (450mm) root diameter
- 28 in (711mm) flange diameter
- 8.8 in (223mm) width

## Swing System

Mechanically controlled bi—directional axial piston motor and planetary gear reduction unit to provide positive control under all load conditions.

- Spring applied, hydraulically released, 360° multi—plate brake
- Free swing mode when lever is in neutral position
- Two position positive house lock
- Audio/Visual swing alarm
- Maximum swing speed is 4.7 rpm

## Counterweight

Consists of a three—piece design that can be easily lowered to the ground using the gantry.

- “A” upper counterweight consists of one, 23,305 lb (10 571kg) base slab
- “B” upper counterweight consists of one, 16,944 lb (7 686kg) weight
- “C” upper counterweight consists of one, 12,071 lb (5 475kg) weight

Total combined counterweight is 52,320 lb (23 732kg).

## Operator Cab

Fully enclosed modular steel compartment is independently mounted and padded to protect against vibration and noise.

- All tinted/tempered safety glass
- Folding hinge entry door and sliding front glass window
- 19,000 BTU hot water heater
- 18,600 BTU air conditioner
- Door and window locks
- Circulating fan
- Sun visor
- Cloth seat
- Defroster
- Windshield wipers and washer
- Dry chemical fire extinguisher
- Engine instrumentation panel (voltmeter, engine oil pressure, engine water temperature, fuel level, hydraulic oil temperature, hour meter, and service monitor system)
- Electronic drum rotation indicators for front and rear hoist drums
- Rearview camera
- Six way adjustable seat
- Hand and foot throttle
- Fully adjustable single axis controls
- Swing lever with swing brake and horn located on handle
- Bubble type level
- Ergonomic gauge layout
- Controls shut off lever
- Control stand is adjustable for operator comfort.

## Rated Capacity Limiter System

The HSL rated capacity limiter system is a boom hoist, dead end load cell system. This system provides the operator with useful geometrical data, to include:

- Main Boom Length
- Main Boom Angle
- Jib Length
- Jib Angle
- Operating Mode
- Load Radius
- Boom Tip Height
- Audible Alarm
- Pre—Warning Light
- Overload Light
- Load On Hook
- Function kick—outs including over load
- Operator settable stops (ramped stops)
- Anti—Two Block Indicator

## Boom Hoist System

Designed to lift off maximum boom or maximum boom plus jib unassisted. Operates up to a maximum boom angle of 80°. Boom hoist limit system limits maximum boom angle operation.

- 14—part reeving with 16mm (0.63 in) wire rope
- 22 ft (6.71m) live mast
- Bridle assembly
- Two 1.25 in (32mm) pendants
- Dual telescoping type backstops
- Sheaves contain sealed anti—friction bearings
- Boom speed from 25°—70° is 36.3 seconds with no load. Speed was determined using 80 ft (24.38m) of angle boom.

## Machinery Cab

Hinged doors (four on right side, three on left side) for machinery access. Storage/rigging box located on operator’s side of upper house. Equipped with rooftop access ladder and skid resistant finish on roof.

## Catwalks

Standard on right and left sides. Catwalks are removable for reduced travel width.

# Lower Structure

## Carbody

### Lower Frame

All welded high strength steel [65,000 psi (448.16MPa) yield] box construction frame with precision machined surfaces for turntable bearing and rotating joint.

- 9 ft 2.3 in (2.80m) overall width
- 11 ft 10.9 in (3.63m) overall length

## Side Frames

### Side Frames

All welded, precision machined, steel frames can be hydraulically extended and retracted by a hydraulic cylinder mounted in the lower frame.

- 14 ft (4.27m) extended gauge
- 8 ft 11 in (2.72m) retracted gauge
- 20 ft 2 in (6.15m) overall length
- 36 in (0.91m) wide track shoes
- Sealed (oil filled) idler and drive planetaries
- Compact travel drives
- Hydraulic self adjusting tracks

### Track Rollers

- Eleven sealed (oil filled) track rollers per side frame
- Heat treated, mounted on oil filled anti-friction bearings

### Tracks

Heat treated, self-cleaning, multiple hinged track shoes joined by one-piece full floating pins; 52 shoes per side frame

### Take Up Idlers

Cast steel, heat treated, self-cleaning, mounted on aluminum/bronze bushings. Lubricated through idler shaft.

## Travel and Steering

### Travel and Steering

Each side frame contains a pilot controlled, bi-directional, axial piston motor and a planetary gear reduction unit to provide positive control under all load conditions.

- Individual control provides smooth, precise maneuverability including full counter-rotation.
- Spring applied, hydraulically released disc type brake controlled automatically
- Maximum travel speed is 1.1 mph (1.7km/h) in high speed and 0.7 mph (1.1km/h) in low speed.
- Designed to 30% gradeability

## Optional

- Rud-o-matic<sup>®</sup> model 1248 tagline winder for angle boom (double barrel, spring wound, drum type)

# Attachment and Options

## Conventional Tube Boom 40–200 ft (12.19–60.96m)

### Basic Boom

40 ft (12.19m) two-piece design that utilizes a 20 ft (6.10m) base section and a 20 ft (6.10m) open throat top section with in-line connecting pins on 54 in (1.37m) wide and 44 in (1.12m) deep centers.

- Boom foot on 43.5 in (1.10m) centers
- 3 in (7.62cm) diameter chords
- Lugs on base section for self assembly
- Deflector roller on top section
- Permanent skid pads mounted on top section to protect head machinery
- Rigid sheave guards

- Five, 18 in (0.46m) root diameter steel sheaves mounted on sealed anti-friction bearings
- Mechanical boom angle indicator

### Optional

Self assembly system that mounts in the boom base to allow loading/unloading of counterweights or a boom section.

### Tube Boom Extensions

The following table provides the lengths available and the suggested quantity to obtain maximum boom in 10 ft (3.05m) increments. Midpoint pendant connections are required at 80 ft (24.38m) for boom lengths of 170 ft (51.80m) thru 200 ft (60.96m).

Tube Boom Extensions		Quantity For Max Boom
ft	m	
10	3.05	1
20	6.10	3
30	9.14	3

- Wear bars on top of each section
- Appropriate length pendants
- Maximum tip height of 204 ft (62.18m)
- Boom connecting pins storage on each extension

## Angle Boom

40–150 ft (12.19–45.72m)

### Basic Angle Boom

40 ft (12.19m) two-piece design that utilizes a 20 ft (6.10m) base section and a 20 ft (6.10m) top section with in-line connecting pins on 45.7 in (1.16m) wide and 45.7 in (1.16m) deep centers.

- Boom foot on 43.5 in (1.10m) centers
- 4 in x 4 in x 0.38 in (10.16cm x 10.16cm x 0.97cm) angle chords
- Lugs on base section to attach carrying links
- Deflector roller on top section
- Permanent skid pads mounted on top section to protect head machinery
- Rigid sheave guards
- Four, 18 in (0.46m) root diameter steel sheaves mounted on sealed anti-friction bearings
- Mechanical boom angle indicator

### Optional

Three sheave head machinery for clam applications

### Angle Boom Extensions

The following table provides the lengths available and the suggested quantity to obtain maximum boom in 10 ft (3.05m) increments. Midpoint pendant connections are not required.

Angle Boom Extensions		Quantity For Max Boom
ft	m	
10	3.05	1
20	6.10	2
30	9.14	2

- Deflector roller on top of each section
- Appropriate length pendants
- Maximum tip height of 154 ft (46.94m).

## Tube Jib

30–60 ft (9.14–18.29m)

### Basic Tube Jib

30 ft (9.14m) two-piece design that utilizes a 15 ft (4.57m) base section and a 15 ft (4.57m) top section with in-line connecting pins on 32 in (0.81m) wide and 24 in (0.61m) deep centers.

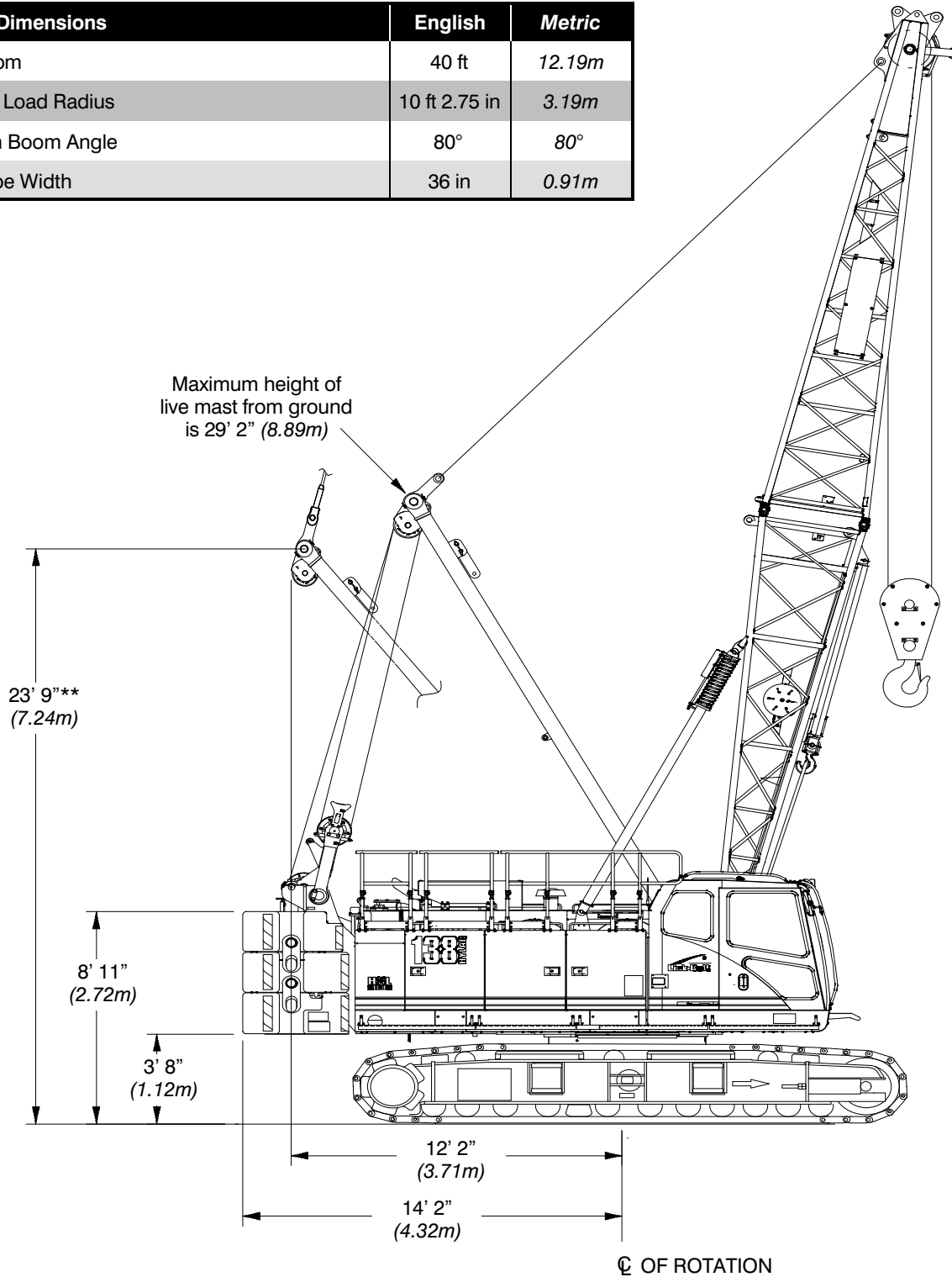
- 2 in (50.8mm) diameter chords
- One 18.50 in (0.47m) root diameter steel sheave mounted on sealed anti-friction bearings
- 15 ft (4.57m) jib extensions provide jib lengths of 45 ft (13.72m) and 60 ft (18.29m).
- Jib offset angles at 5°, 15°, and 25°
- The maximum tip height of boom + jib is 242 ft (73.76m) using the tube boom and 204' (62.18m) using the angle boom.

### Auxiliary Tip Extension

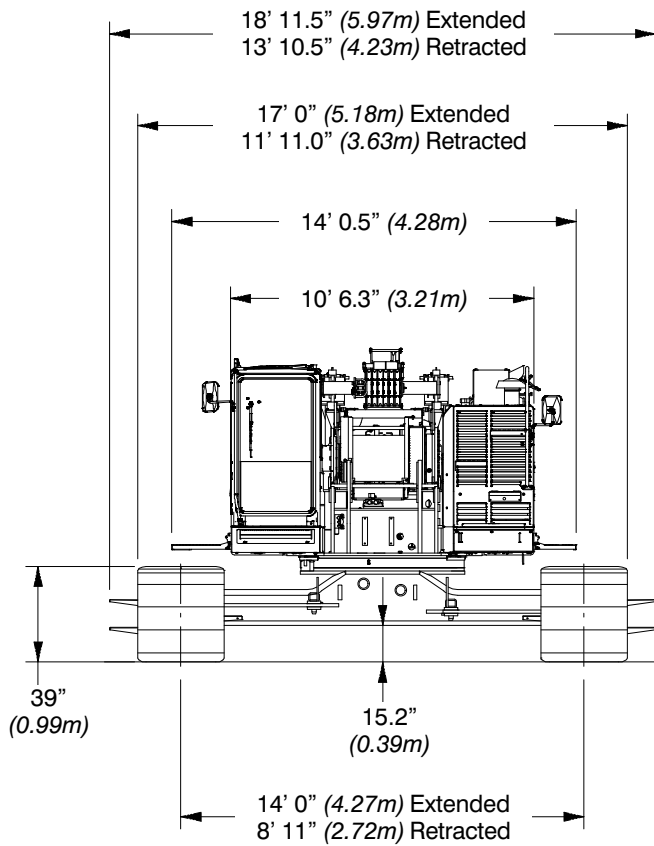
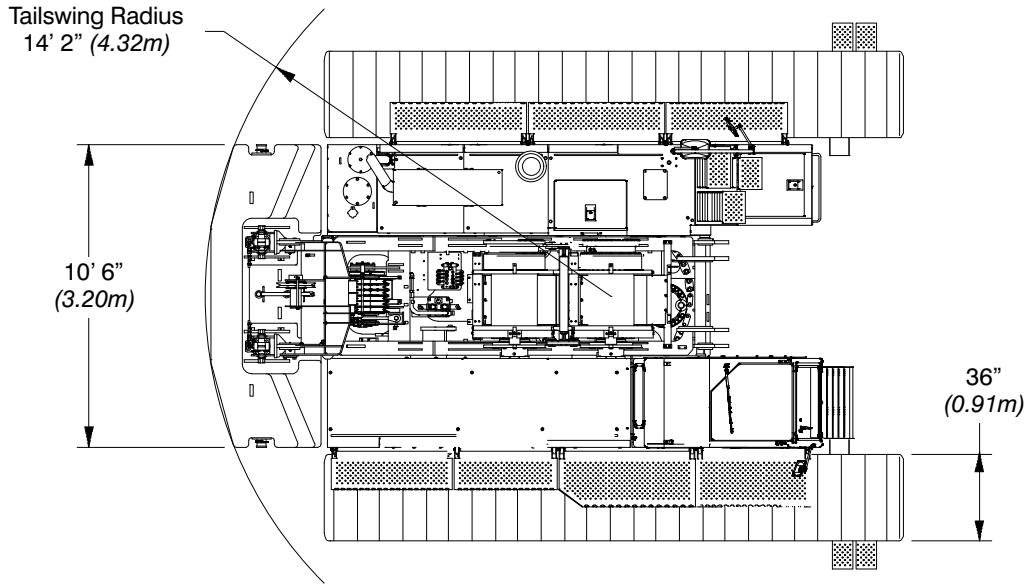
Designed for use with tube boom up to 190 ft (57.91m) to use in place of jib to provide clearance between working hoist lines. The extension is equipped with a single 18 in (0.45m) root diameter nylon sheave mounted on sealed anti-friction bearings. Maximum capacity is 9 Ton (8.16mt).

# Dimensions

General Dimensions	English	Metric
Basic Boom	40 ft	12.19m
Minimum Load Radius	10 ft 2.75 in	3.19m
Maximum Boom Angle	80°	80°
Track Shoe Width	36 in	0.91m



Note: \*\*@ Maximum boom angle (80°) with maximum boom [200 ft (60.96m)], maximum rotation radius occurs.

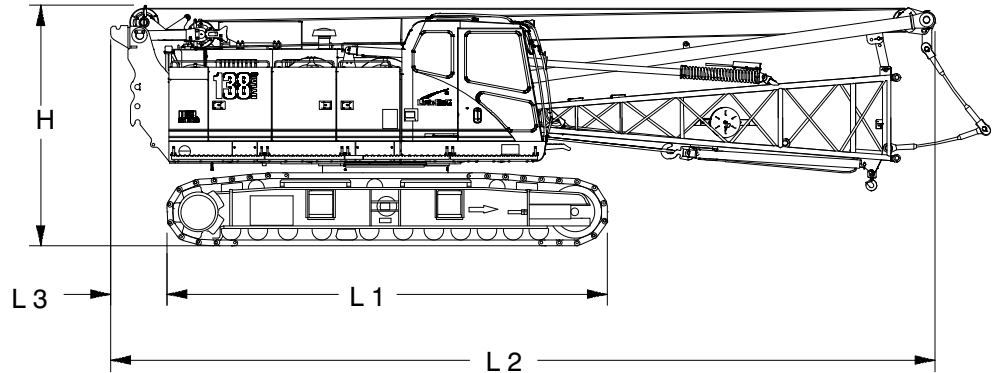




# Base Crane

## Base Crane ①

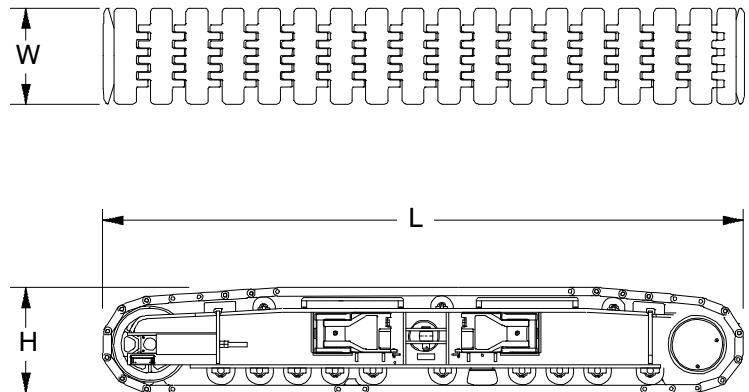
Length 1	20 ft 2 in	(6.15m)
Length 2	37 ft 6 in	(11.43m)
Length 3	2 ft 6 in	(0.76m)
Height	11 ft 0 in	(3.35m)
Weight:		
Tube Boom	89,923 lb	(39 971kg)
Angle Boom	90,674 lb	(40 291kg)



# Side Frames

## Side Frames ②

Length	20 ft 2 in	(6.15m)
Width	36 in	(0.91m)
Height	39 in	(0.99m)
Weight	19,700 lb	(8 936kg)

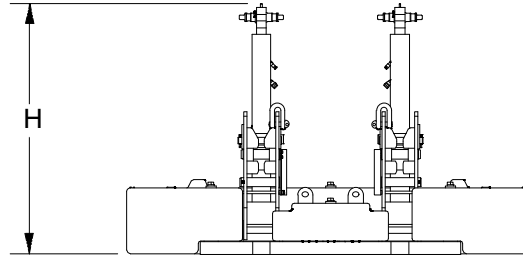
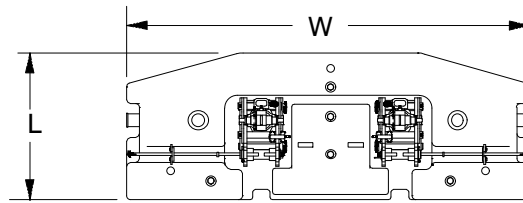


Number inside black circle “①” = # of components

# Upper Counterweights

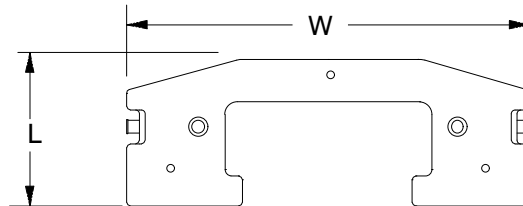
## “A” Slab Counterweight ①

Length	46 in	(1.17m)
Width	10 ft 6 in	(3.20m)
Height	6 ft 6.25 in	(1.99m)
Weight	23,305 lb	(10 571kg)



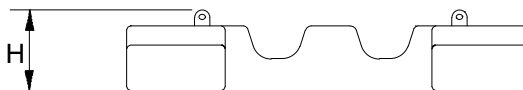
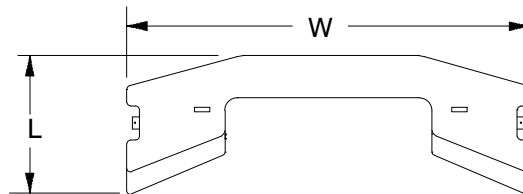
## “B” Slab Counterweight ①

Length	46 in	(1.17m)
Width	10 ft 6 in	(3.20m)
Height	23 in	(0.58m)
Weight	16,944 lb	(7 686kg)



## “C” Slab Counterweight ①

Length	43.50 in	(1.10m)
Width	10 ft 6 in	(3.20m)
Height	25.50 in	(0.65m)
Weight	12,071 lb	(5 475kg)



Number inside black circle “①” = # of components

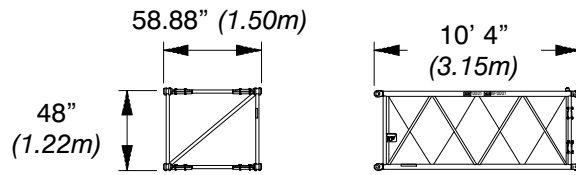
# Boom

54 in (1.37m) x 44 in (1.12m)

## Tube Boom Extensions

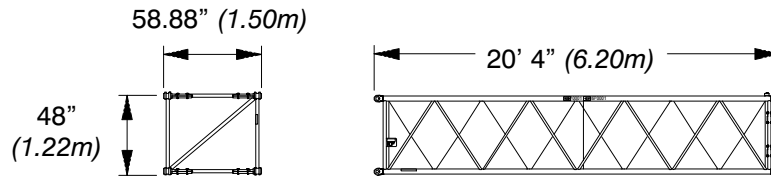
### 10 ft (3.05m) Extension

Weight: 514 lb (233kg)



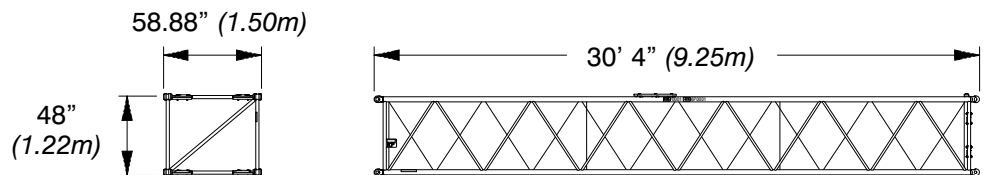
### 20 ft (6.10m) Extension

Weight: 856 lb (388kg)



### 30 ft (9.14m) Extension

Weight: 1,212 lb (550kg)

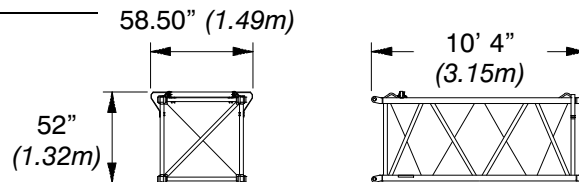


## 45.7 in (1.16m) x 45.7 in (1.16m)

## Angle Boom Extensions

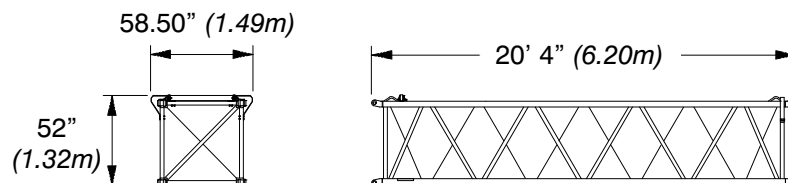
### 10 ft (3.05m) Extension

Weight: 847 lb (384kg)



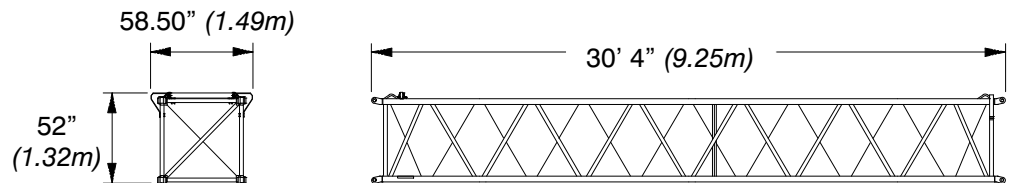
### 20 ft (6.10m) Extension

Weight: 1,424 lb (646kg)



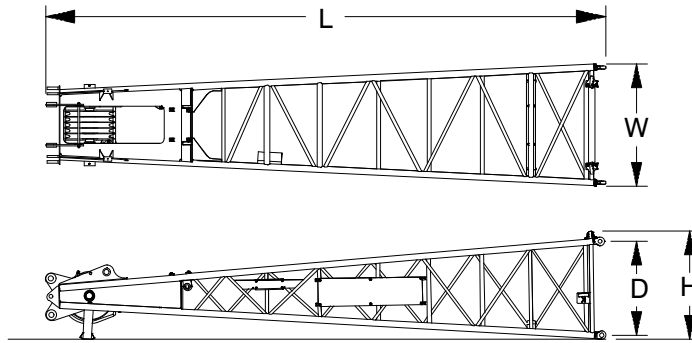
### 30 ft (9.14m) Extension

Weight: 2,067 lb (938kg)



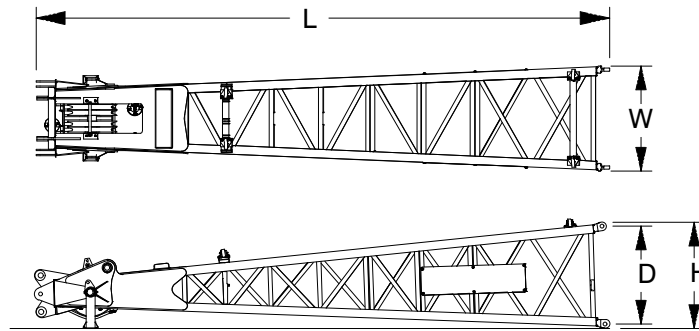
**20 ft (6.10m) Tube Boom  
Top Section** ①

Length	21 ft 11 in	(6.68m)
Width	57.13 in	(1.45m)
Deep	44 in	(1.12m)
Height	51 in	(1.30m)
Weight	2,350 lb	(1 066kg)



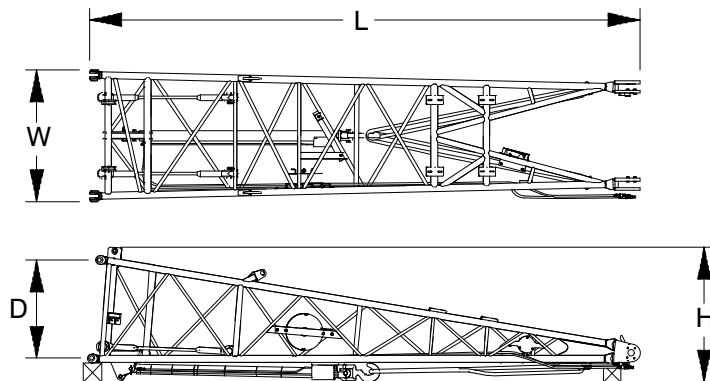
**20 ft (6.10m) Angle Boom  
Top Section** ①

Length	22 ft 5 in	(6.83m)
Width	49.06 in	(1.25m)
Deep	45.7 in	(1.16m)
Height	50 in	(1.27m)
Weight	2,930 lb	(1 329kg)



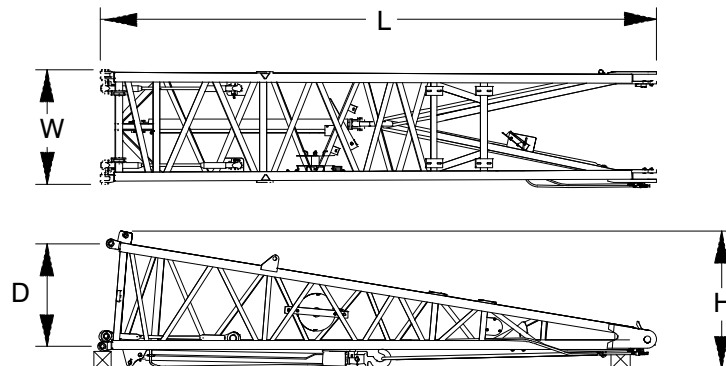
**20 ft (6.10m) Tube Boom  
Base Section** ①

Length	20 ft 6 in	(6.25m)
Width	58.87 in	(1.50m)
Deep	44 in	(1.12m)
Height	61 in	(1.55m)
Weight		
w/o Self Assembly	1,780 lb	(807kg)
w/ Self Assembly	2,210 lb	(1 002kg)



**20 ft (6.10m) Angle Boom  
Base Section** ①

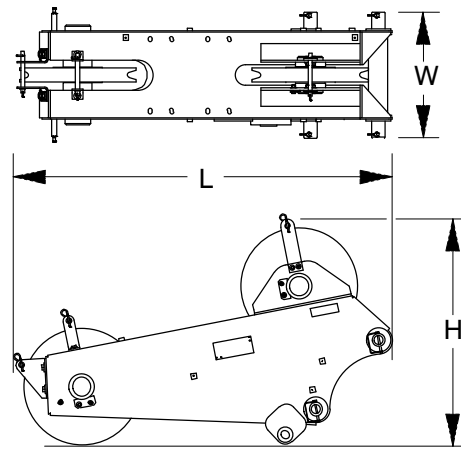
Length	20 ft 6 in	(6.25m)
Width	50.60 in	(1.29m)
Deep	45.7 in	(1.16m)
Height	61 in	(1.55m)
Weight		
w/o Self Assembly	2,531 lb	(1 148kg)
w/ Self Assembly	2,961 lb	(1 343kg)



Number inside black circle “①” = # of components  
\* – Optional equipment

**Auxiliary Tip Extension\*** ①

Length	70.35 in	(1.79m)
Width	24.50 in	(0.62m)
Height	42.91 in	(1.09m)
Weight	720 lb	(327kg)



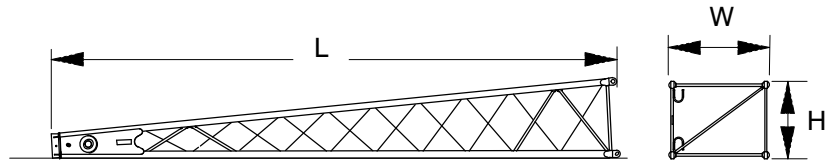
**Jib**

**15 ft (4.57m) Jib**

**Top Section\*** ①

Length	16 ft 1.50 in	(4.91m)
Width	34.50 in	(0.88m)
Height	26.50 in	(0.67m)
Weight†	544 lb	(247kg)

† Weight includes pendants and hardware.

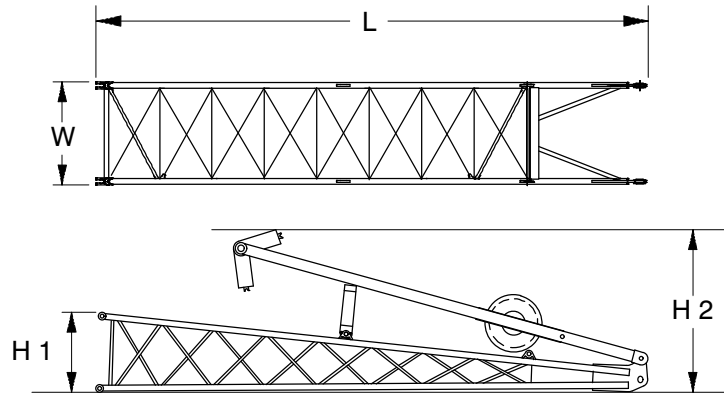


**15 ft (4.57m) Jib**

**Base Section\*** ①

Length	15 ft 3.50 in	(4.66m)
Width	34.50 in	(0.88m)
Height 1	26.50 in	(0.67m)
Height 2	54.50 in	(1.38m)
Weight†	936 lb	(425kg)

† Weight includes pins, basic frontstay & backstay pendants, and hardware.

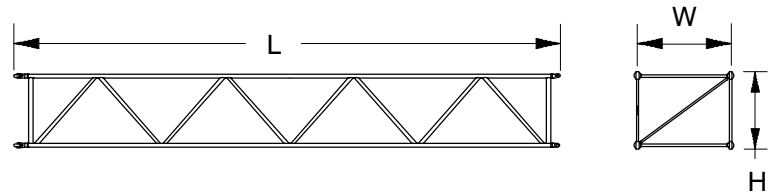


**15 ft (4.57m) Jib**

**Extension\*** ①

Length	15 ft 2.50 in	(4.64m)
Width	34.50 in	(0.88m)
Height	26.50 in	(0.67m)
Weight†	330 lb	(150kg)

† Weights includes pins, pendants, and hardware.



Number inside black circle “①” = # of components

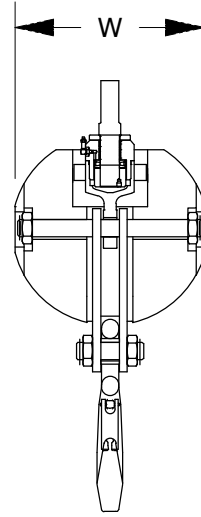
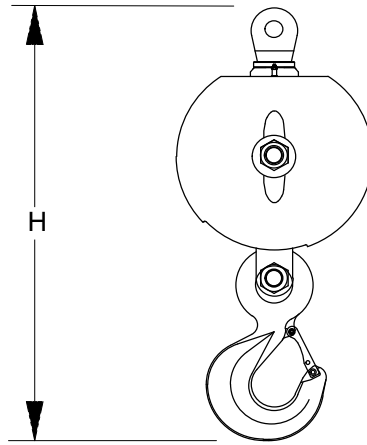
\* — Optional equipment

# Hook Balls

## 15 Ton (13.6mt) Swivel

### Hook Ball\* 1

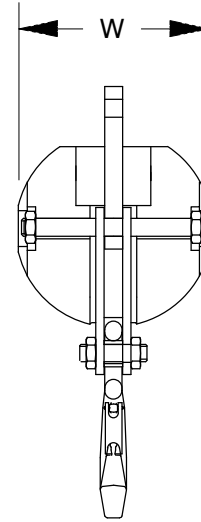
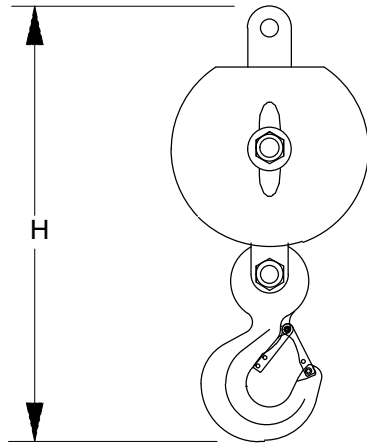
Width	17.50 in	(0.44m)
Height	40.50 in	(1.03m)
Weight	767 lb	(348kg)



## 15 Ton (13.6mt) Non-Swivel

### Hook Ball\* 1

Width	18 in	(0.46m)
Height	39.50 in	(1.00m)
Weight	748 lb	(339kg)



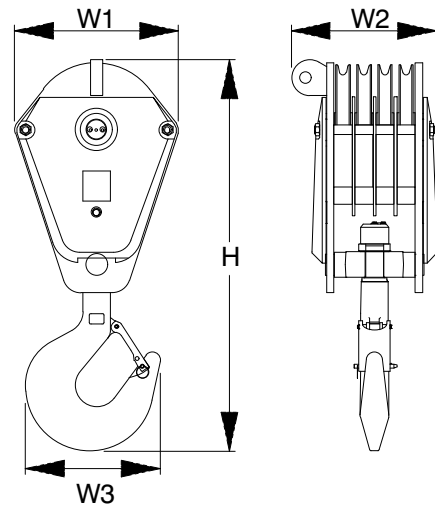
Number inside black circle “1” = # of components  
 \* – Optional equipment

# Hook Blocks

## 50 Ton (45.4mt)

### 4—Sheave Hook Block\* ①

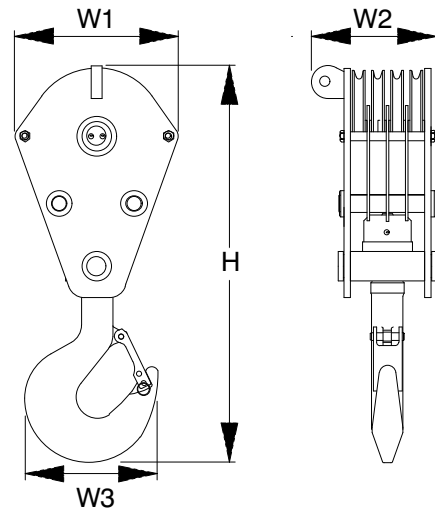
Width1	22.75 in	(0.58m)
Width2	20.25 in	(0.51m)
Width3	18.75 in	(0.48m)
Height	54.00 in	(1.37m)
Weight	1,221 lb	(554kg)



## 80 Ton (72.6mt)

### 4—Sheave Hook Block\* ①

Width1	24.75 in	(0.63m)
Width2	18.25 in	(0.46m)
Width3	20.25 in	(0.51m)
Height	60.00 in	(1.52m)
Weight	1,221 lb	(554kg)



Number inside black circle “①” = # of components

\* — Optional equipment

# Working Weights

Based on basic crane including Isuzu AH—6HK1X diesel engine, turntable bearing, live mast, 14 part boom hoist reeving, backstops, crawler lower with 36 in (0.91m) wide track shoes, sealed track rollers, and catwalks, plus the following:	Ctwt “A”	Ctwt “AB”	Ctwt “ABC”	
	lb (kg)	lb (kg)	lb (kg)	
Lifting crane — includes 40 ft (12.19m) basic tube boom, self assembly cylinder, 700 ft (213.36m) of 16mm type “DB” front hoist rope, 700 ft (213.36m) of 16mm type “DB” rear hoist rope, 80 Ton (72.6mt) hook block, and basic pendants.	116,388 (52 793)	133,332 (60 478)	145,403 (65 954)	
Ground Bearing Pressure	psi	7.41	8.49	9.26
	kg/cm <sup>2</sup>	0.52	0.60	0.65

# Transport Weights

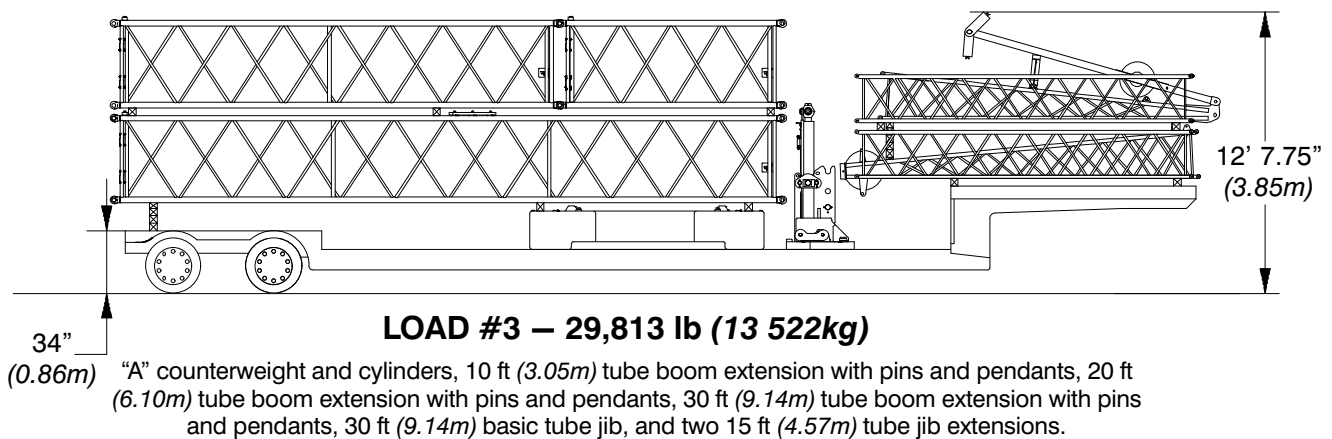
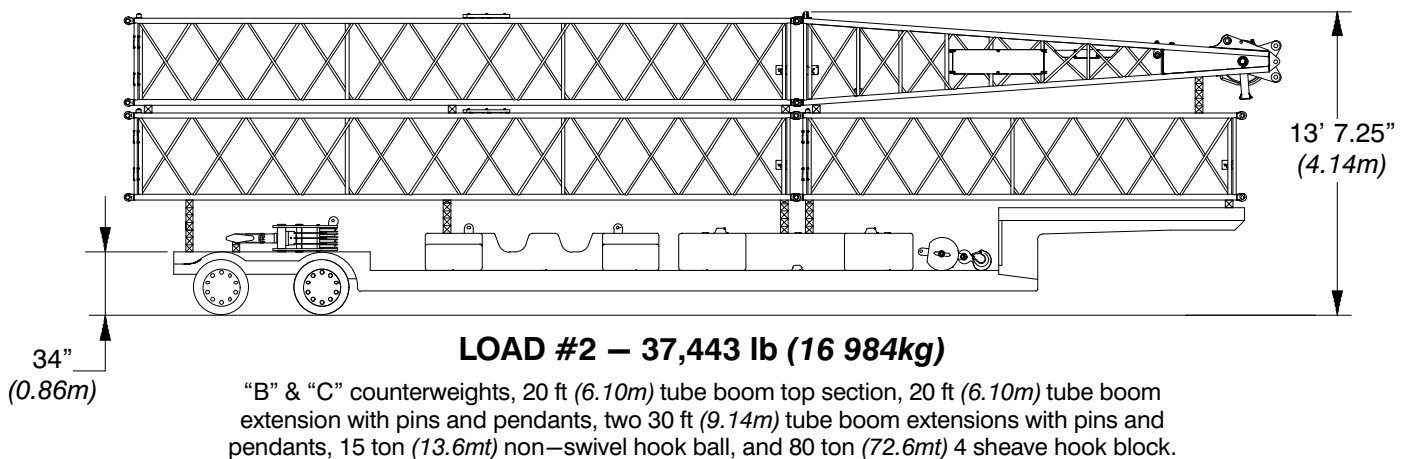
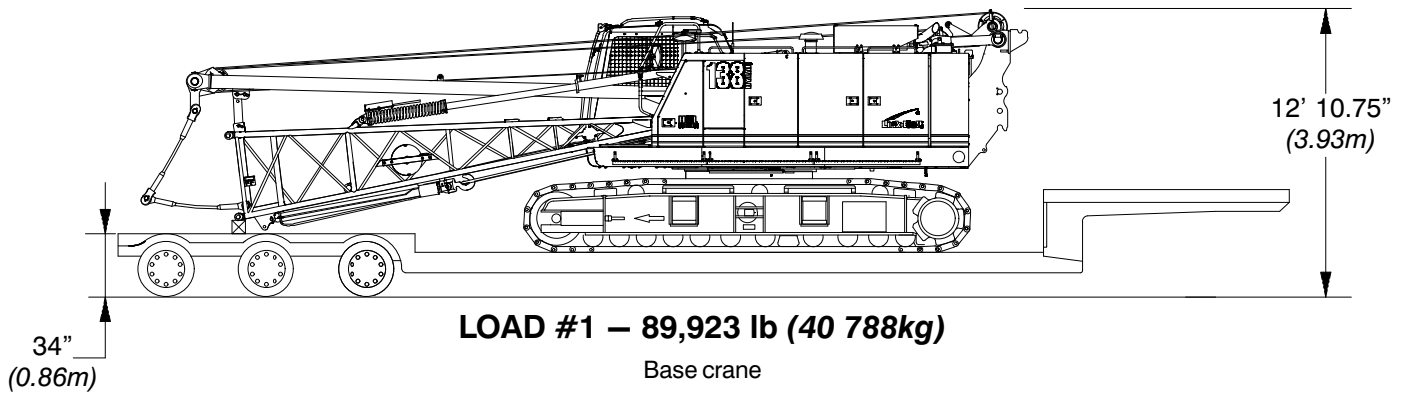
Base Crane: Telescoping Boom Backstops, 27 gal (102.2L) Of Fuel, Side Frames, Catwalks, Handrails, 20' (6.10m) Tube Base Section, 22' (6.71m) Live Mast with Bridle, 14-Part Boom Hoist Reeving, 700' (213.36m) Type "DB" Front Hoist Rope, and 700' (213.36m) Type "DB" Rear Hoist Rope.

Item Description	Gross Weight		Transport Loads		
	lb	kg	#1	#2	#3
<b>Base Crane</b>	89,923	40 788	1		
Add "A" Counterweight	23,305	10 571			1
Add "B" Counterweight	16,944	7 685		1	
Add "C" Counterweight	12,071	5 475		1	
Add Hydraulic Third Drum Without Rope	1,345	610			
Add 20' (6.10m) Tube Top Section	2,350	1 066		1	
Add 10' (3.05m) Tube Extension With Pins And Pendants	692	314			1
Add 20' (6.10m) Tube Extension With Pins And Pendants	1,093	496		1	2
Add 30' (9.14m) Tube Extension With Pins and Pendants	1,490	676		2	1
Add 20' (6.10m) Angle Base Section	2,531	1 148			
Add 20' (6.10m) Angle Top Section With 4 Lifting Sheaves	2,930	1 329			
Add 20' (6.10m) Angle Top Section With 3 Lifting Sheaves	2,830	1 284			
Add 20' (6.10m) Angle Top Section With 2 Lifting Sheaves	2,730	1 238			
Add 10' (3.05m) Angle Extension With Pins And Pendants	1,025	465			
Add 20' (6.10m) Angle Extension With Pins And Pendants	1,660	753			
Add 30' (9.14m) Angle Extension With Pins and Pendants	2,345	1 069			
Add Tagline Winder	760	345			
Add 30' (9.14m) Tube Jib	1,480	671			1
Add 15' (4.57m) Tube Jib Extension	330	150			2
Add 5' (1.52m) Auxiliary Tip Extension	720	327			
Add Holding Rope — 7/8 in X 165' (50.29m) Type "DB"	234	106			
Add Closing Rope — 7/8 in X 220' (67.06m) Type "DB"	312	142			
Add Inhaul Rope — 7/8 in X 105' (32.00m) Type "M"	141	64			
Add Hoist Rope — 7/8 in X 210' (64.01m) Type "LB"	298	135			
Add Jib Wire Rope — 7/8 in X 700' (213.36m) Type "RB"	1,050	476			
Add 3rd Drum Wire Rope — 16mm X 385' (117.35m) Type "ZB"	312	142			
Add 3rd Drum Wire Rope — 16mm X 385' (117.35m) Type "WB"	296	134			
Add 15-ton (13.6mt) Hook Ball — Non Swivel	748	339		1	
Add 15-ton (13.6mt) Hook Ball — Swivel	767	348			
Add 50-ton (45.3mt) 4 Sheave Hook Block	1,221	554			
Add 80-ton (72.6mt) 4 Sheave Hook Block	1,221	554		1	
Add Quick Draw	430	195			
Remove 20' (6.10m) Tube Base Section	1,780	807			
Remove Front Hoist Rope — 7/8 in X 700' (213.36m) Type "DB"	-994	-451			
Remove Rear Hoist Rope — 7/8 in X 700' (213.36m) Type "DB"	-994	-451			
Remove 22' (6.71m) Live Mast with Bridle	-2,212	-1 003			
Remove 27 gal (102.2L) Of Fuel	-185	-84			
<b>Approximate Total Shipping Weight</b>			<b>89,923</b>	<b>37,443</b>	<b>29,813</b>
			<b>40 788</b>	<b>16 984</b>	<b>13 523</b>

Notes:  
 Estimated weights vary by  $\pm$  2%. Numbers in the transport loads columns represent quantities.  
 Estimated transport loads assume the load out consist of 200' (60.96m) of tube boom and 60' (18.29m) of jib with full counterweight.  
 Support loads were targeted at 45,000 lb (20 412kg), 8' 6" (2.6m) wide, 48' (14.6m) long, and 13' 6" (4.1m) high using a drop deck trailer. This may vary depending on state laws, empty truck/trailer weights, and style of trailer.



# Transport Drawings – Tube Boom



# Load Hoist Performance

## Front or Rear Drum – 7/8 in (22.4mm) Wire Rope

Rope Layer	Maximum Line Pull		No Load Line Speed		Full Load Line Speed		Pitch Diameter		Layer		Total	
	lb	kg	ft/min	m/min	ft/min	m/min	in	mm	ft	m	ft	m
1	31,182	14 144	328	100	63	19	20.1	510	115.6	35.2	115.6	35.2
2	29,019	13 163	353	107	68	21	21.8	555	124.3	37.9	239.9	73.1
3	27,138	12 309	377	115	73	22	23.6	600	132.9	40.5	372.9	113.7
4	25,485	11 560	401	122	77	24	25.4	644	141.6	43.2	514.5	156.8
5	24,022	10 896	426	130	82	25	27.1	689	150.2	45.8	664.7	202.6
6	22,718	10 305	450	137	87	26	28.9	734	158.9	48.4	823.6	251.0

## Boom Hoist Drum – 5/8 in (16mm) Wire Rope

Rope Layer	Maximum Line Pull		No Load Line Speed		Full Load Line Speed		Pitch Diameter		Layer		Total	
	lb	kg	ft/min	m/min	ft/min	m/min	in	mm	ft	m	ft	m
1	23,754	10 775	209	64	40	12	18.3	466	62.3	19.0	62.3	19.0
2	22,453	10 184	221	67	43	13	19.6	498	65.9	20.1	128.3	39.1
3	21,246	9 637	234	71	45	14	20.9	530	69.9	21.3	198.2	60.4
4	20,199	9 162	246	75	47	14	22.1	562	73.5	22.4	271.7	82.8
5	19,251	8 732	258	79	50	15	23.4	594	77.1	23.5	348.8	106.3
6	18,387	8 340	270	82	52	16	24.6	626	80.7	24.6	429.5	130.9

## Front Mounted Third Drum – 5/8 in (16mm) Wire Rope

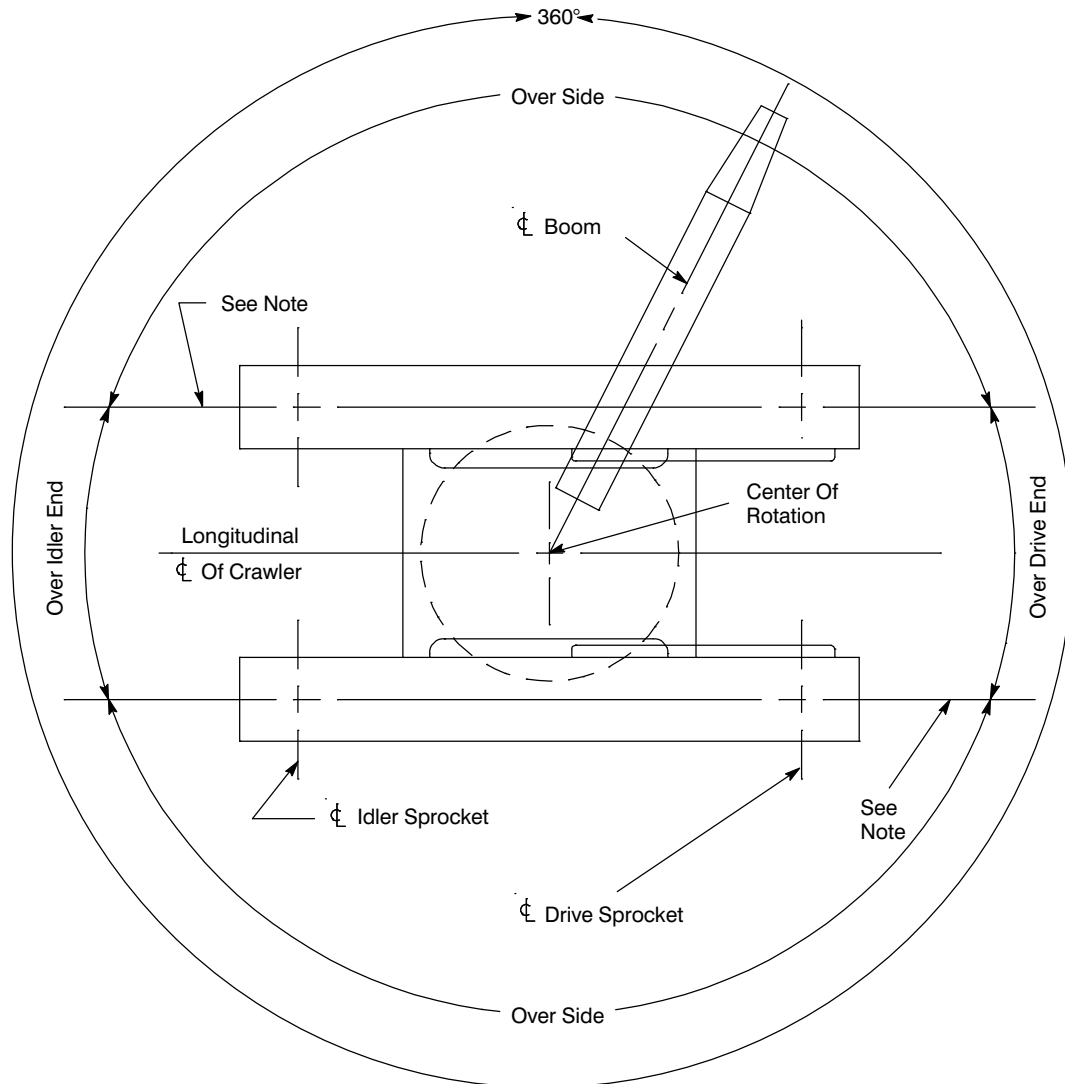
Rope Layer	Maximum Line Pull		No Load Line Speed		Full Load Line Speed		Pitch Diameter		Layer		Total	
	lb	kg	ft/min	m/min	ft/min	m/min	in	mm	ft	m	ft	m
1	15,041	6 823	159	48.6	31	9.4	11.3	286	58	17.6	58	17.6
2	13,538	6 141	177	54.0	34	10.4	12.5	318	64	19.6	122	37.2
3	12,308	5 583	195	59.4	38	11.5	13.8	349	71	21.5	192	58.7
4	11,282	5 118	213	64.8	41	12.5	15.0	381	77	23.5	269	82.1
5	10,415	4 724	230	70.2	44	13.6	16.3	413	83	25.4	353	107.5
6	9,671	4 387	248	75.6	48	14.6	17.5	445	90	27.4	443	134.9

## Rear Mounted Fourth Drum – 7/8 in (22.4mm) Wire Rope

Rope Layer	Maximum Line Pull		No Load Line Speed		Full Load Line Speed		Pitch Diameter		Layer		Total	
	lb	kg	ft/min	m/min	ft/min	m/min	in	mm	ft	m	ft	m
1	35,570	16 134	287	87	55	17	20.1	510	99.7	30.4	99.7	30.4
2	33,104	15 016	308	94	59	18	21.8	555	107.3	32.7	207.0	63.1
3	30,957	14 042	330	100	64	19	23.6	600	114.8	35.0	321.9	98.1
4	29,072	13 187	351	107	68	21	25.4	644	122.4	37.3	444.2	135.4
5	27,403	12 430	372	114	72	22	27.1	689	129.6	39.5	573.8	174.9

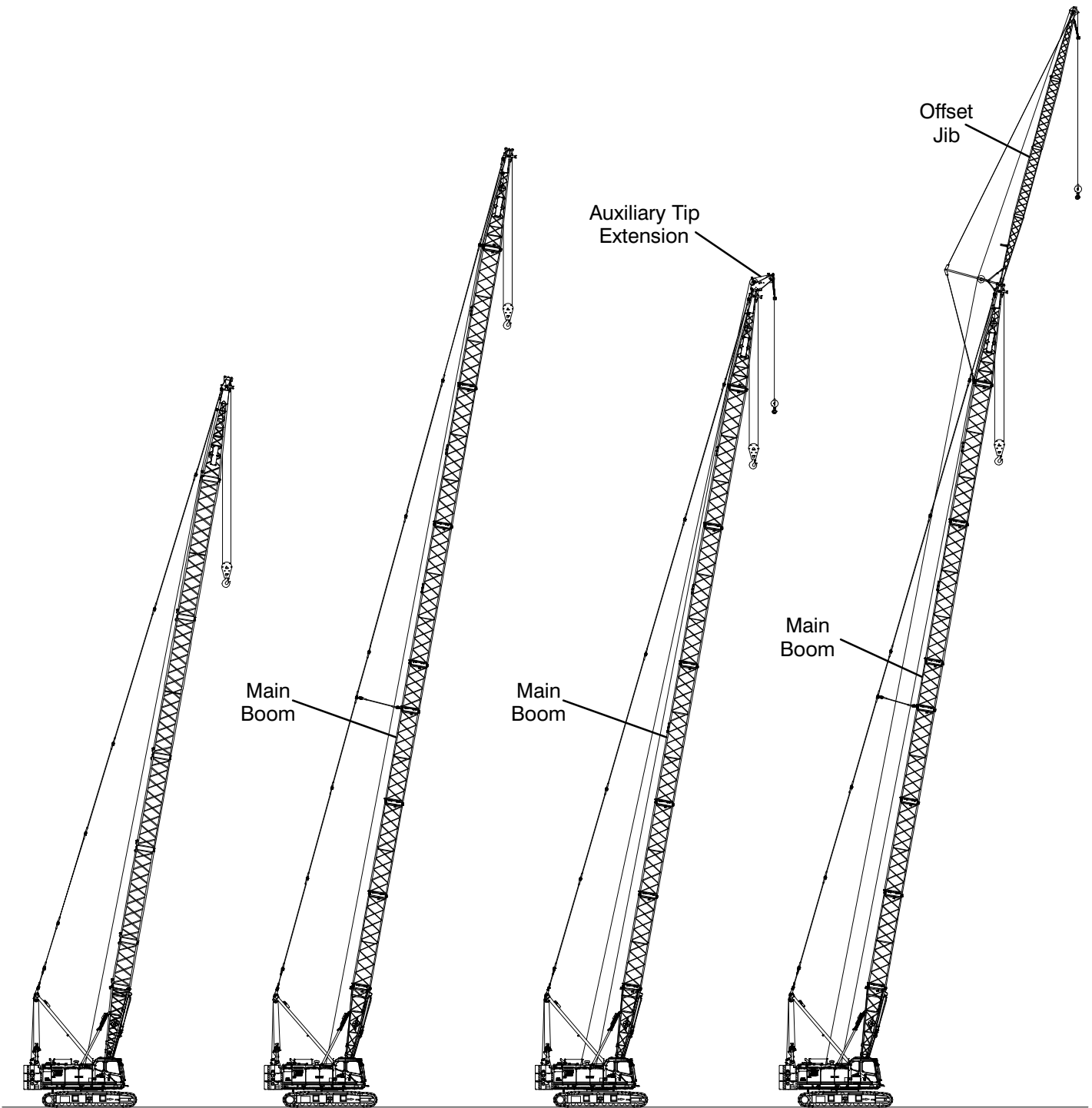
Wire Rope Application	Diameter		Type	Max. Permissible Load		Wire Rope Descriptions
	in	mm		lb	kg	
Boom Hoist	--	16	LB	11,770	5 339	6 Strand, Compacted Strand, Seale or Warrington Seale, I.W.R.C., Preformed, Right Lay, Regular Lay
Front Drum	7/8	--	DB	22,740	10 315	6 X 26 (6 X 19 Class), Warrington Seale, E.I.P.S., Preformed, Right Regular Lay, I.W.R.C.
Rear Drum (Optional)	7/8	--	RB	17,520	7 947	18 X 19 Rotation Resistant Compacted Strand – High Strength – Preformed, Right Regular Lay
Rear Drum (Optional)	7/8	--	DB	22,740	10 315	6 X 26 (6 X 19 Class), Warrington Seale, E.I.P.S., Preformed, Right Regular Lay, I.W.R.C.
Third Drum (Optional)	5/8	--	ZB	11,080	5 026	34 X 7 Non–Rotating, E.I.P.S., Right Regular or Left Lang Lay
Third Drum (Optional)	5/8	--	WB	13,650	6 192	8 Strand, Preformed, Regular Lay
Fourth Drum (Optional)	7/8	--	DB	15,920	7 221	18 X 19 Rotation Resistant Compacted Strand – High Strength – Preformed, Right Regular Lay

# Working Areas



**Note:** These Lines Determine The Limiting Position Of Any Load For Operation Within Working Areas Indicated.

# Attachments



**40–150 ft  
(12.19–45.72m)  
Main Angle Boom**

**40–200 ft  
(12.19–60.96m)  
Main Tube Boom**

**40–190 ft (12.19–57.91m)  
Main Tube Boom With  
Tip Extension**

**40–180 ft (12.19–54.86m) Main  
Tube Boom With 30–60 ft  
(9.14–18.29m) Offset Jib**

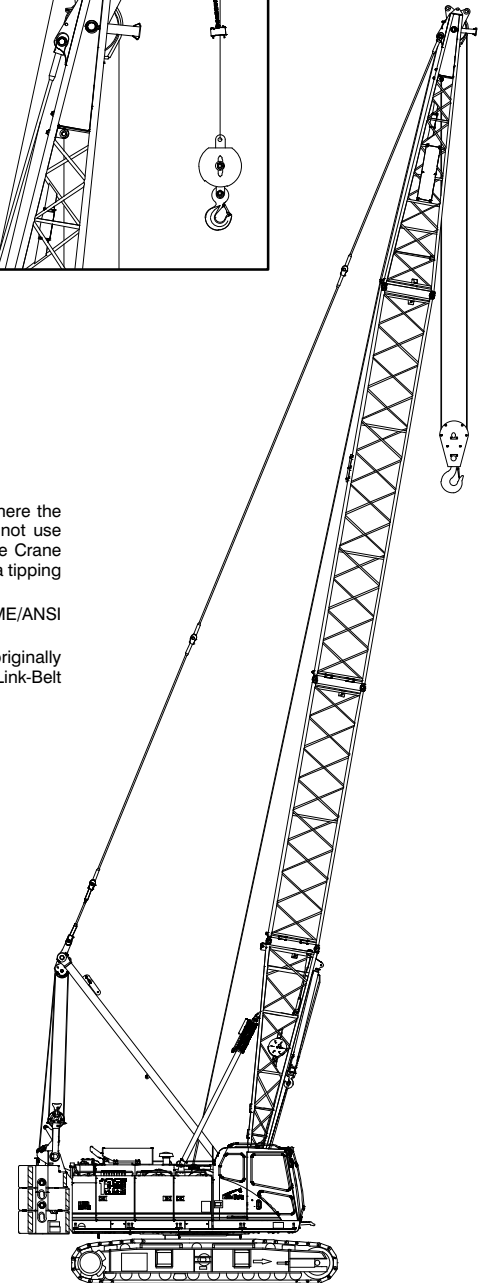
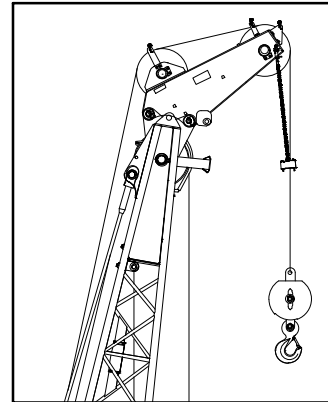
# Tube Boom Make-up

Boom Length ft (m)	Tube Boom Extensions ft (m)		
	10 (3.05)	20 (6.10)	30 (9.14)
40 (12.19)			
50 (15.24)	1		
60 (18.29)		1	
70 (21.34)			1
80 (24.38)	1		1
90 (27.43)		1	1
100 (30.48)			2
110 (33.53)	1		2
120 (36.58)		1	2
130 (39.62)			3
140 (42.67)	1		3
150 (45.72)		1	3
160 (48.77)	1	1	3
170 (51.82)		2	3
180 (54.86)	1	2	3
190 (57.91)		3	3
200 (60.96)	1	3	3

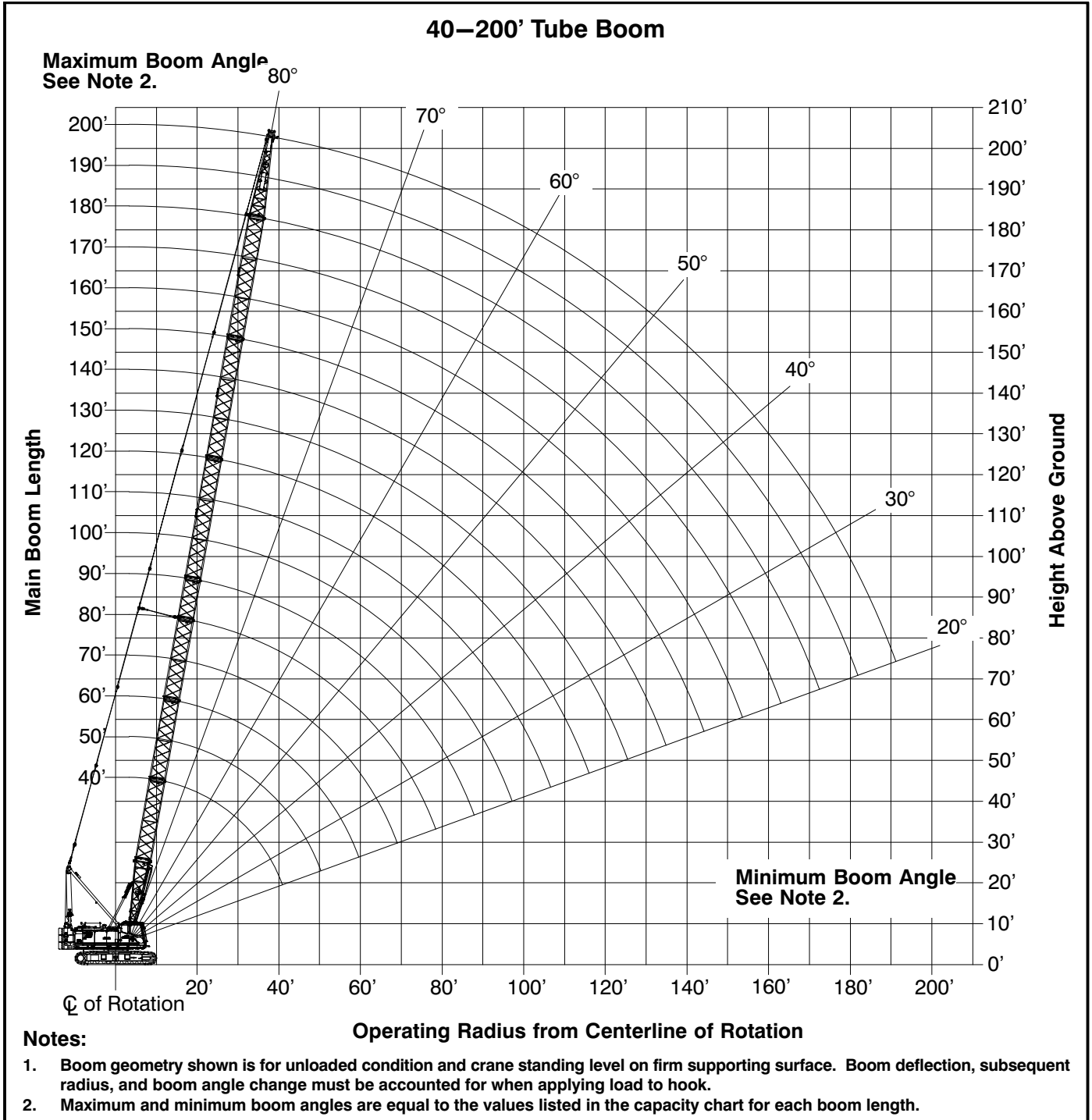
## Notes:

- Capacities shown are in kips/metric tons (1 kip = 1,000 lb / 1 metric ton = 0.45 kips) and are not more than 75% of the tipping loads with the crane standing level on firm supporting surface. A deduction must be made from these capacities for weight of hook block, hook ball, sling, grapple, load weighing device, etc. When using main hook while jib or tip extension is attached, reduce capacities by values shown in Crane Rating Manual. See Operator's Manual for all limitations when raising or lowering attachment.
- The capacities in the shaded areas are based on structural strength. The capacities in the non-shaded areas are based on stability ratings.
- For recommended reeving, parts of line, wire rope type, and wire rope inspection, see Wire Rope Capacity Chart, Operator's Manual, and Parts Manual.
- Load ratings are based on freely suspended loads and make no allowances for such factors as the effect of the wind, ground conditions, and operating speeds. The operator shall therefore reduce load ratings in order to take these conditions into account. Refer to the Crane Rating Manual for Wind Speed Restrictions.
- The 22 ft (6.71m) live mast must be used for all capacities listed.
- The least stable rated condition is over the side.
- Booms must be erected and lowered over the end for maximum stability.
- Main boom length must not exceed 200 ft (60.96m).
- Do not operate at radii and boom lengths where the Crane Rating Manual lists no capacity. Do not use longer booms or jibs than those listed in the Crane Rating Manual. Any of the above can cause a tipping condition, or boom and jib failure.
- These capacities are in compliance with ASME/ANSI B30.5 at date of manufacture.
- These capacities apply only to the crane as originally manufactured and normally equipped by Link-Belt Construction Equipment Company.

## Optional Auxiliary Tip Extension



# Tube Boom Working Range Diagram



# Tube Boom Load Chart

<b>Tube Boom Lift Capacity Chart – 360° Rotation</b> <b>ABC = 52,320 lb (23 732kg) Counterweight – Side Frames Extended</b> <b>[All capacities are listed in kips (mt)]</b>										
Load Radius ft (m)	Boom Length – ft (m)									
	40 (12.2)	50 (15.2)	60 (18.3)	70 (21.3)	80 (24.4)	90 (27.4)	100 (30.5)	110 (33.5)	120 (36.6)	130 (39.6)
11 (3.4)	160.0 (72.6)									
12 (3.7)	160.0 (72.6)	160.0 (72.6)								
13 (4.0)	151.8 (68.9)	151.6 (68.8)								
14 (4.3)	141.6 (64.2)	141.4 (64.1)	141.1 (64.0)							
15 (4.6)	132.6 (60.1)	132.4 (60.1)	132.2 (60.0)							
16 (4.9)	124.7 (56.6)	124.5 (56.5)	124.3 (56.4)	123.9 (56.2)						
17 (5.2)	117.6 (53.3)	117.5 (53.3)	117.3 (53.2)	117.0 (53.1)						
18 (5.5)	111.1 (50.4)	111.2 (50.4)	111.0 (50.3)	110.7 (50.2)	109.0 (49.4)					
19 (5.8)	101.7 (46.1)	101.9 (46.2)	102.0 (46.3)	102.1 (46.3)	102.1 (46.3)	99.3 (45.0)				
20 (6.1)	93.7 (42.5)	93.9 (42.6)	94.0 (42.6)	94.1 (42.7)	94.1 (42.7)	94.0 (42.6)				
25 (7.6)	67.0 (30.4)	67.1 (30.4)	67.2 (30.5)	67.2 (30.5)	67.1 (30.4)	67.1 (30.4)	67.0 (30.4)	66.9 (30.3)	66.8 (30.3)	
30 (9.1)	51.8 (23.5)	51.9 (23.5)	52.0 (23.6)	52.0 (23.6)	51.9 (23.5)	51.8 (23.5)	51.7 (23.5)	51.6 (23.4)	51.5 (23.4)	51.4 (23.3)
35 (10.7)	42.0 (19.1)	42.2 (19.1)	42.2 (19.1)	42.1 (19.1)	42.1 (19.1)	42.0 (19.1)	41.9 (19.0)	41.8 (19.0)	41.6 (18.9)	41.5 (18.8)
40 (12.2)	35.1 (15.9)	35.3 (16.0)	35.3 (16.0)	35.3 (16.0)	35.2 (16.0)	35.1 (15.9)	35.0 (15.9)	34.9 (15.8)	34.7 (15.7)	34.6 (15.7)
50 (15.2)		26.3 (11.9)	26.4 (12.0)	26.4 (12.0)	26.3 (11.9)	26.2 (11.9)	26.0 (11.8)	25.9 (11.7)	25.8 (11.7)	25.6 (11.6)
60 (18.3)				20.8 (9.4)	20.7 (9.4)	20.6 (9.3)	20.4 (9.3)	20.3 (9.2)	20.2 (9.2)	20.0 (9.1)
70 (21.3)					16.9 (7.7)	16.7 (7.6)	16.6 (7.5)	16.5 (7.5)	16.3 (7.4)	16.2 (7.3)
80 (24.4)						14.0 (6.4)	13.8 (6.3)	13.7 (6.2)	13.5 (6.1)	13.4 (6.1)
90 (27.4)							11.7 (5.3)	11.6 (5.3)	11.4 (5.2)	11.3 (5.1)
100 (30.5)								9.9 (4.5)	9.8 (4.4)	9.6 (4.4)
110 (33.5)									8.4 (3.8)	8.3 (3.8)
120 (36.6)										7.1 (3.2)

This material is supplied for reference use only. Operator must refer to in-cab Crane Rating Manual and Operator's Manual to determine allowable crane lifting capacities and assembly and operating procedures.

**Tube Boom Lift Capacity Chart – 360° Rotation**  
**ABC = 52,320 lb (23 732kg) Counterweight – Side Frames Extended**  
 [All capacities are listed in kips (mt)]

Load Radius ft (m)	Boom Length – ft (m)						
	140 (42.7)	150 (45.7)	160 (48.8)	170 (51.8)	180 (54.9)	190 (57.9)	200 (61.0)
30 (9.1)	51.3 (23.3)	50.5 (22.9)					
35 (10.7)	41.4 (18.8)	41.2 (18.7)	41.1 (18.6)	37.6 (17.1)	36.6 (16.6)		
40 (12.2)	34.5 (15.6)	34.3 (15.6)	34.2 (15.5)	33.9 (15.4)	33.9 (15.4)	31.1 (14.1)	27.5 (12.5)
50 (15.2)	25.5 (11.6)	25.3 (11.5)	25.2 (11.4)	25.0 (11.3)	24.8 (11.2)	24.6 (11.2)	23.9 (10.8)
60 (18.3)	19.9 (9.0)	19.7 (8.9)	19.5 (8.8)	19.3 (8.8)	19.2 (8.7)	19.0 (8.6)	18.8 (8.5)
70 (21.3)	16.0 (7.3)	15.9 (7.2)	15.7 (7.1)	15.5 (7.0)	15.3 (6.9)	15.2 (6.9)	15.0 (6.8)
80 (24.4)	13.2 (6.0)	13.1 (5.9)	12.9 (5.9)	12.7 (5.8)	12.5 (5.7)	12.4 (5.6)	12.2 (5.5)
90 (27.4)	11.1 (5.0)	10.9 (4.9)	10.8 (4.9)	10.6 (4.8)	10.4 (4.7)	10.2 (4.6)	10.0 (4.5)
100 (30.5)	9.4 (4.3)	9.3 (4.2)	9.1 (4.1)	8.9 (4.0)	8.7 (3.9)	8.6 (3.9)	8.4 (3.8)
110 (33.5)	8.1 (3.7)	7.9 (3.6)	7.7 (3.5)	7.6 (3.4)	7.4 (3.4)	7.2 (3.3)	7.0 (3.2)
120 (36.6)	7.0 (3.2)	6.8 (3.1)	6.6 (3.0)	6.5 (2.9)	6.3 (2.9)	6.1 (2.8)	5.9 (2.7)
130 (39.6)	6.0 (2.7)	5.9 (2.7)	5.7 (2.6)	5.5 (2.5)	5.3 (2.4)	5.2 (2.4)	5.0 (2.3)
140 (42.7)		5.1 (2.3)	4.9 (2.2)	4.7 (2.1)	4.5 (2.0)	4.4 (2.0)	4.2 (1.9)
150 (45.7)			4.2 (1.9)	4.0 (1.8)	3.9 (1.8)	3.7 (1.7)	3.5 (1.6)
160 (48.8)				3.4 (1.5)	3.3 (1.5)	3.1 (1.4)	2.9 (1.3)
170 (51.8)					2.7 (1.2)	2.6 (1.2)	2.4 (1.1)
180 (54.9)						2.1 (1.0)	1.9 (0.9)
190 (57.9)							1.5 (0.7)

This material is supplied for reference use only. Operator must refer to in-cab Crane Rating Manual and Operator's Manual to determine allowable crane lifting capacities and assembly and operating procedures.

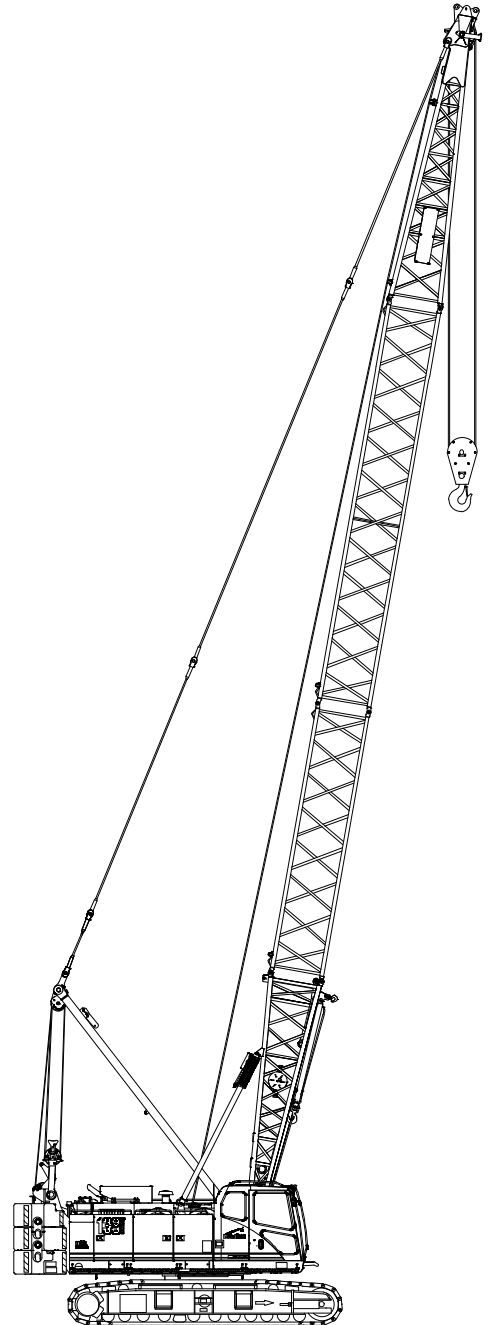


# Angle Boom Make-up

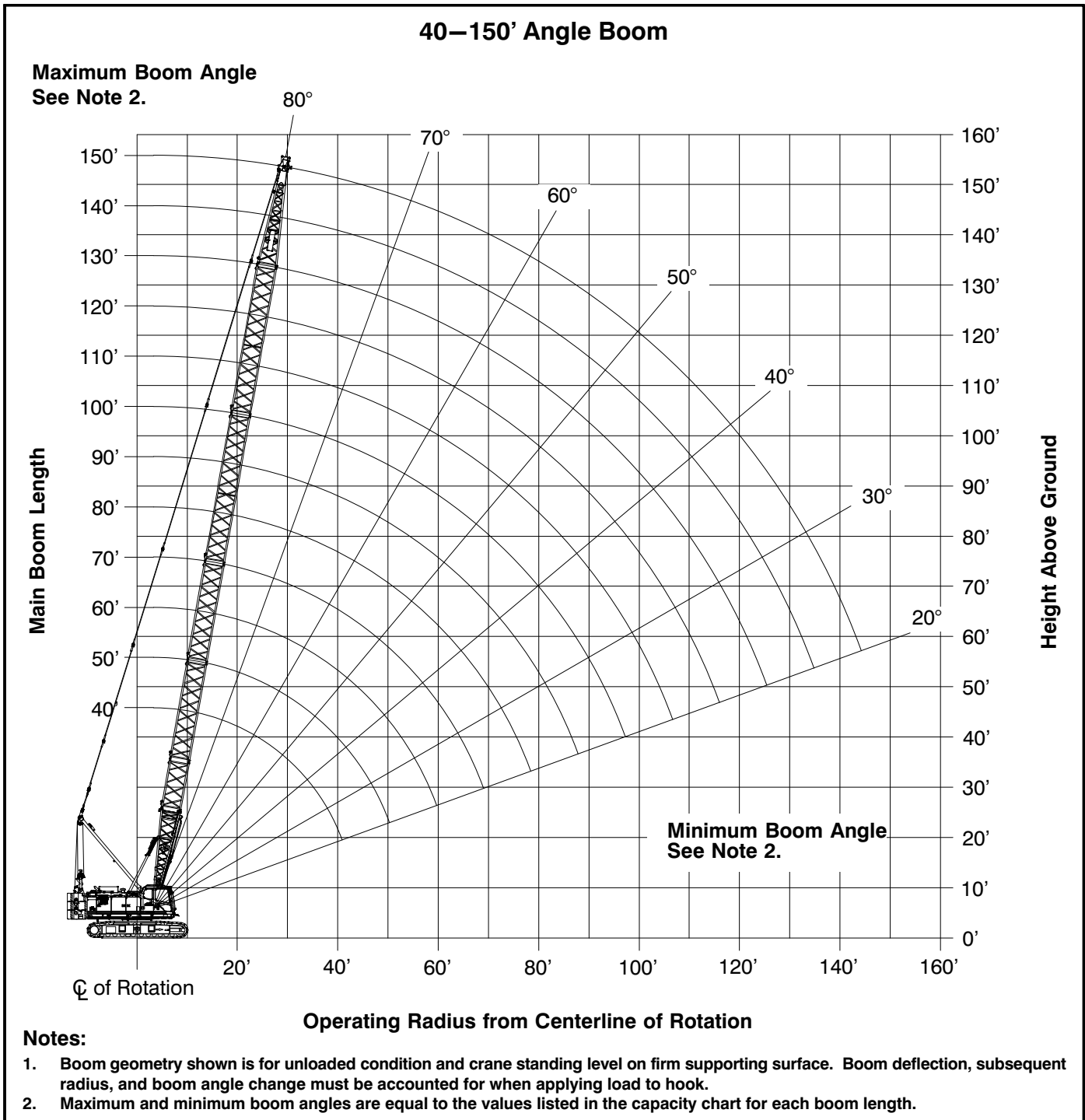
Boom Length ft (m)	Angle Boom Extensions ft (m)		
	10 (3.05)	20 (6.10)	30 (9.14)
40 (12.19)			
50 (15.24)	1		
60 (18.29)		1	
70 (21.33)			1
80 (24.38)	1		1
90 (27.43)		1	1
100 (30.48)			2
110 (33.53)	1		2
120 (36.58)		1	2
130 (39.62)	1	1	2
140 (42.67)		2	2
150 (45.72)	1	2	2

## Notes:

- Capacities shown are in kips/metric tons (1 kip = 1,000 lb / 1 metric ton = 0.45 kips) and are not more than 75% of the tipping loads with the crane standing level on firm supporting surface. A deduction must be made from these capacities for weight of hook block, hook ball, sling, grapple, load weighing device, etc. When using main hook while jib or tip extension is attached, reduce capacities by values shown in Crane Rating Manual. See Operator's Manual for all limitations when raising or lowering attachment.
- The capacities in the shaded areas are based on structural strength. The capacities in the non-shaded areas are based on stability ratings.
- For recommended reeving, parts of line, wire rope type, and wire rope inspection, see Wire Rope Capacity Chart, Operator's Manual, and Parts Manual.
- Load ratings are based on freely suspended loads and make no allowances for such factors as the effect of the wind, ground conditions, and operating speeds. The operator shall therefore reduce load ratings in order to take these conditions into account. Refer to the Crane Rating Manual for Wind Speed Restrictions.
- The 22 ft (6.71m) live mast must be used for all capacities listed.
- The least stable rated condition is over the side.
- Booms must be erected and lowered over the end for maximum stability.
- Main boom length must not exceed 150 ft (45.72m).



# Angle Boom Working Range Diagram



# Angle Boom Load Chart

**Angle Boom Lift Capacity Chart – 360° Rotation**  
**ABC = 52,320 lb (23 732kg) Counterweight – Side Frames Extended**  
 [All capacities are listed in kips (m<sup>t</sup>)]

Load Radius ft (m)	Boom Length – ft (m)											
	40 (12.2)	50 (15.2)	60 (18.3)	70 (21.3)	80 (24.4)	90 (27.4)	100 (30.5)	110 (33.5)	120 (36.6)	130 (39.6)	140 (42.7)	150 (45.7)
11 (3.4)	160.0 (72.6)											
12 (3.7)	160.0 (72.6)	142.4 (64.6)										
13 (4.0)	151.3 (68.6)	137.9 (62.6)										
14 (4.3)	141.1 (64.0)	132.8 (60.2)	121.7 (55.2)									
15 (4.6)	132.1 (59.9)	129.4 (58.7)	118.6 (53.8)									
16 (4.9)	124.2 (56.3)	123.9 (56.2)	116.4 (52.8)	105.6 (47.9)								
17 (5.2)	117.1 (53.1)	116.9 (53.0)	113.5 (51.5)	103.0 (46.7)								
18 (5.5)	110.7 (50.2)	110.6 (50.2)	109.2 (49.5)	101.0 (45.8)	93.7 (42.5)							
19 (5.8)	101.3 (45.9)	101.4 (46.0)	101.5 (46.0)	98.5 (44.7)	92.0 (41.7)	84.3 (38.2)						
20 (6.1)	93.3 (42.3)	93.4 (42.4)	93.5 (42.4)	93.4 (42.4)	88.5 (40.1)	82.7 (37.5)						
25 (7.6)	66.5 (30.2)	66.6 (30.2)	66.6 (30.2)	66.6 (30.2)	66.5 (30.2)	66.3 (30.1)	66.2 (30.0)	65.3 (29.6)	61.1 (27.7)			
30 (9.1)	51.3 (23.3)	51.4 (23.3)	51.4 (23.3)	51.3 (23.3)	51.2 (23.2)	51.0 (23.1)	50.9 (23.1)	50.7 (23.0)	50.5 (22.9)	50.3 (22.8)	49.3 (22.4)	44.6 (20.2)
35 (10.7)	41.6 (18.9)	41.6 (18.9)	41.6 (18.9)	41.5 (18.8)	41.3 (18.7)	41.2 (18.7)	41.0 (18.6)	40.8 (18.5)	40.6 (18.4)	40.4 (18.3)	40.2 (18.2)	39.9 (18.1)
40 (12.2)	34.7 (15.7)	34.8 (15.8)	34.7 (15.7)	34.6 (15.7)	34.5 (15.6)	34.3 (15.6)	34.1 (15.5)	33.9 (15.4)	33.7 (15.3)	33.5 (15.2)	33.3 (15.1)	33.1 (15.0)
50 (15.2)		25.8 (11.7)	25.8 (11.7)	25.7 (11.7)	25.5 (11.6)	25.3 (11.5)	25.1 (11.4)	24.9 (11.3)	24.7 (11.2)	24.5 (11.1)	24.3 (11.0)	24.0 (10.9)
60 (18.3)			20.3 (9.2)	20.1 (9.1)	19.9 (9.0)	19.7 (8.9)	19.5 (8.8)	19.3 (8.8)	19.1 (8.7)	18.9 (8.6)	18.6 (8.4)	18.4 (8.3)
70 (21.3)				16.5 (7.5)	16.1 (7.3)	15.9 (7.2)	15.7 (7.1)	15.5 (7.0)	15.3 (6.9)	15.0 (6.8)	14.8 (6.7)	14.5 (6.6)
80 (24.4)						13.1 (5.9)	12.9 (5.9)	12.7 (5.8)	12.5 (5.7)	12.2 (5.5)	12.0 (5.4)	11.7 (5.3)
90 (27.4)							10.8 (4.9)	10.6 (4.8)	10.3 (4.7)	10.1 (4.6)	9.9 (4.5)	9.6 (4.4)
100 (30.5)								8.9 (4.0)	8.7 (3.9)	8.4 (3.8)	8.2 (3.7)	7.9 (3.6)
110 (33.5)									7.3 (3.3)	7.1 (3.2)	6.8 (3.1)	6.6 (3.0)
120 (36.6)										6.0 (2.7)	5.7 (2.6)	5.5 (2.5)
130 (39.6)											4.8 (2.2)	4.5 (2.0)
140 (42.7)												3.7 (1.7)

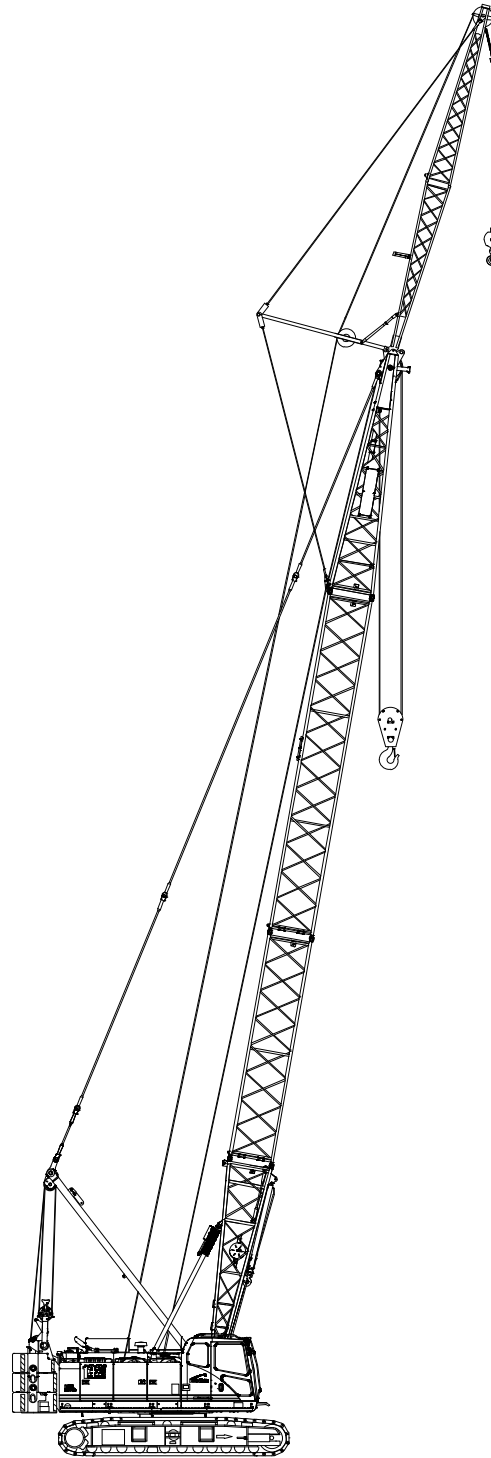
This material is supplied for reference use only. Operator must refer to in-cab Crane Rating Manual and Operator's Manual to determine allowable crane lifting capacities and assembly and operating procedures.

# Jib Attachment Make-up

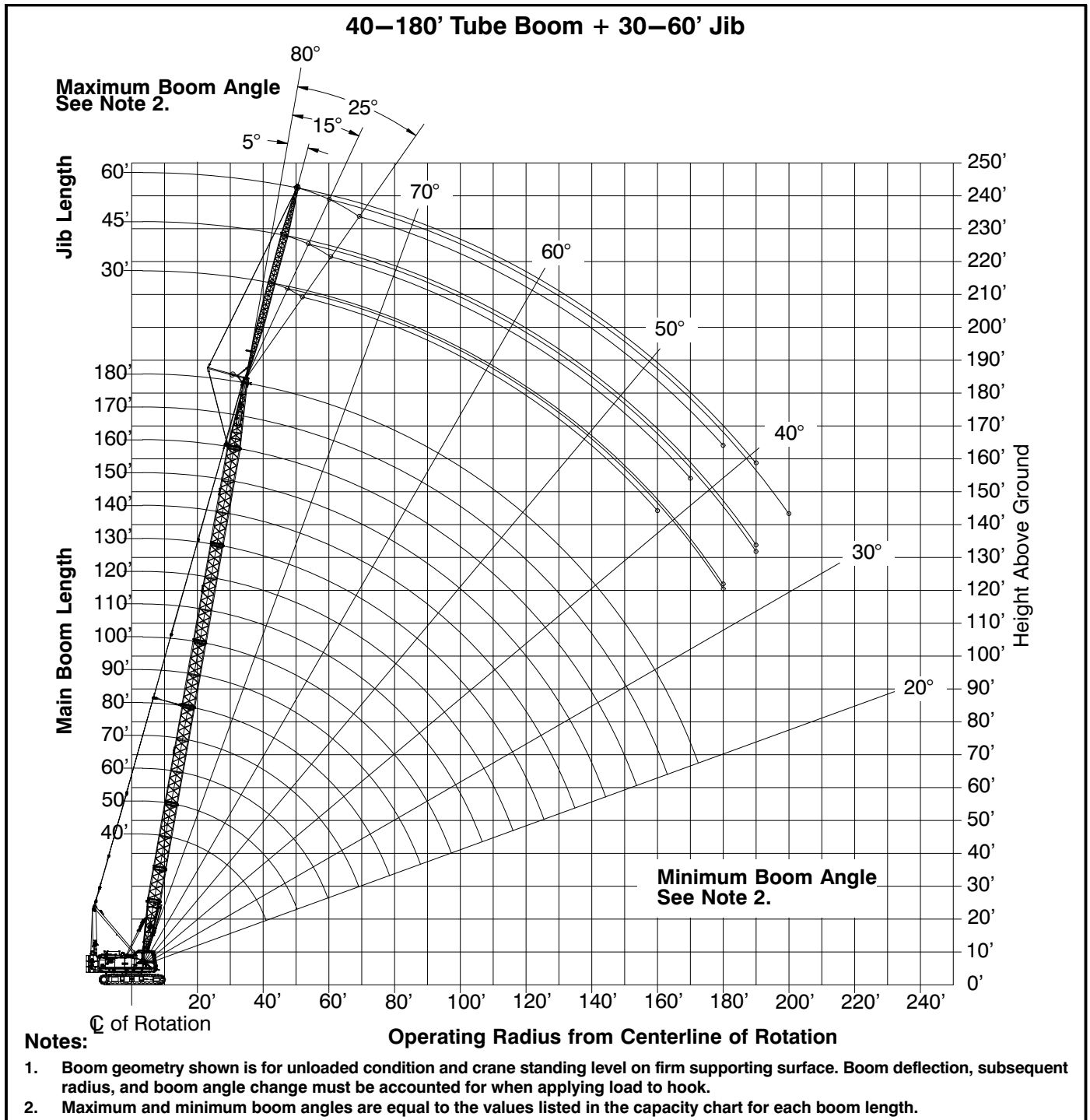
Jib Length ft (m)	Jib Extensions	Basic Frontstay Pendants Required	Pairs Of Frontstay Extension Pendants Required
	15 ft (4.57 m)	63 ft 5 in (19.33m)	14 ft 6 in (4.42m)
30 (9.15)		1	
45 (13.72)	1	1	1
60 (18.29)	2	1	2

## Notes:

- Capacities shown are in kips/metric tons (1 kip = 1,000 lb / 1 metric ton = 0.45 kips) and are not more than 75% of the tipping loads with the crane standing level on a firm supporting surface.
- A deduction must be made from these capacities for the weight of the main boom hook block or hook ball, jib hook block or hook ball, slings, grapples, load weighing devices, etc. When using main hook while jib is attached, reduce capacities by values shown in Crane Rating Manual. See Operator's Manual for all limitations when raising or lowering attachment.
- The capacities in the shaded areas are based on structural strength. The capacities in the non-shaded areas are based on stability ratings.
- Load ratings are based on freely suspended loads and make no allowances for such factors as the effect of the wind, ground conditions, and operating speeds. The operator shall therefore reduce load ratings in order to take these conditions into account. Refer to the Crane Rating Manual for Wind Speed Restrictions.
- These capacities are for "ABC" counterweight.
- These capacities are for 360° working areas.
- These capacities are for 30–60 ft (9.15–18.28m) jib lengths only.
- The jib cannot be used on tube boom lengths over 180 ft (54.86m) and angle boom lengths over 150 ft (45.72m).
- The least stable rated condition is over the side.
- These capacities are in compliance with ASME/ANSI B30.5 at date of manufacture.
- These capacities apply only to the crane as originally manufactured and normally equipped by Link-Belt Construction Equipment Company.



# Tube Boom + Jib Working Range Diagram



# Tube Boom + Jib Load Charts

<b>Tube Boom + 30 ft (9.14m) Offset Jib Length – 360° Rotation</b> <b>ABC [52,320 lb (23,732kg)] Counterweight</b> <b>[All capacities are listed in kips (mt)]</b>																	
5° Offset						15° Offset						25° Offset					
Load Radius ft (m)	Main Boom Length ft (m)					Load Radius ft (m)	Main Boom Length ft (m)					Load Radius ft (m)	Main Boom Length ft (m)				
	40 (12.2)	80 (24.3)	100 (30.5)	140 (42.7)	180 (54.9)		40 (12.2)	80 (24.3)	100 (30.5)	140 (42.7)	180 (54.9)		40 (12.2)	80 (24.3)	100 (30.5)	140 (42.7)	180 (54.9)
20 (6.1)	24.0 (10.9)					20 (6.1)						20 (6.1)					
25 (7.6)	24.0 (10.9)					25 (7.6)	24.0 (10.9)					25 (7.6)					
30 (9.1)	24.0 (10.9)	24.0 (10.9)	24.0 (10.9)			30 (9.1)	24.0 (10.9)					30 (9.1)	19.8 (9.0)				
35 (10.7)	24.0 (10.9)	24.0 (10.9)	24.0 (10.9)			35 (10.7)	23.8 (10.8)	24.0 (10.9)	24.0 (10.9)			35 (10.7)	17.8 (8.1)	20.6 (9.3)			
40 (12.2)	24.0 (10.9)	24.0 (10.9)	24.0 (10.9)	24.0 (10.9)		40 (12.2)	21.2 (9.6)	24.0 (10.9)	24.0 (10.9)			40 (12.2)	17.0 (7.7)	19.2 (8.7)	20.2 (9.2)		
50 (15.2)	21.1 (9.6)	24.0 (10.9)	24.0 (10.9)	24.0 (10.9)	18.1 (8.2)	50 (15.2)	17.4 (7.9)	23.2 (10.5)	24.0 (10.9)	24.0 (10.9)	17.1 (7.8)	50 (15.2)	14.8 (6.7)	17.3 (7.8)	18.0 (8.2)	19.6 (8.9)	
60 (18.3)	17.4 (7.9)	20.7 (9.4)	20.4 (9.3)	19.7 (8.9)	17.4 (7.9)	60 (18.9)	16.3 (7.4)	21.0 (9.5)	20.7 (9.4)	20.0 (9.1)	16.3 (7.4)	60 (18.9)	13.3 (6.0)	16.1 (7.3)	17.1 (7.8)	18.0 (8.2)	14.6 (6.6)
70 (21.3)		16.9 (7.7)	16.5 (7.5)	15.8 (7.2)	15.1 (6.8)	70 (21.3)		17.1 (7.8)	16.8 (7.6)	16.1 (7.3)	15.4 (7.0)	70 (21.3)		14.8 (6.7)	15.8 (7.2)	16.4 (7.4)	14.0 (6.4)
80 (24.4)		14.1 (6.4)	13.7 (6.2)	13.0 (5.9)	12.3 (5.6)	80 (24.8)		14.2 (6.4)	13.9 (6.3)	13.2 (6.0)	12.6 (5.7)	80 (24.8)		13.8 (6.3)	14.1 (6.4)	13.5 (6.1)	12.8 (5.8)
90 (27.4)		12.0 (5.4)	11.6 (5.3)	10.9 (4.9)	10.1 (4.6)	90 (27.4)		12.1 (5.5)	11.8 (5.4)	11.1 (5.0)	10.4 (4.7)	90 (27.4)			11.9 (5.4)	11.2 (5.1)	10.6 (4.8)
100 (30.5)		10.3 (4.7)	10.0 (4.5)	9.2 (4.2)	8.4 (3.8)	100 (30.5)		10.4 (4.7)	10.1 (4.6)	9.4 (4.3)	8.6 (3.9)	100 (30.5)			10.1 (4.6)	9.5 (4.3)	8.8 (4.0)
110 (33.5)			8.6 (3.9)	7.8 (3.5)	7.1 (3.2)	110 (33.5)			8.7 (3.9)	8.0 (3.6)	7.3 (3.3)	110 (33.5)				8.1 (3.7)	7.4 (3.4)
120 (36.6)			7.5 (3.4)	6.7 (3.0)	5.9 (2.7)	120 (36.6)				6.8 (3.1)	6.1 (2.8)	120 (36.6)				6.9 (3.1)	6.3 (2.9)
130 (39.6)				5.8 (2.6)	5.0 (2.3)	130 (39.6)				5.9 (2.7)	5.2 (2.4)	130 (39.6)				6.0 (2.7)	5.3 (2.4)
140 (42.7)				5.0 (2.3)	4.2 (1.9)	140 (42.7)				5.1 (2.3)	4.3 (2.0)	140 (42.7)					4.4 (2.0)
150 (45.7)				4.3 (2.0)	3.5 (1.6)	150 (45.7)				4.4 (2.0)	3.6 (1.6)	150 (45.7)					3.7 (1.7)
160 (48.8)				3.7 (1.7)	2.9 (1.3)	160 (48.8)					3.0 (1.4)	160 (48.8)					3.1 (1.4)
170 (51.8)					2.4 (1.1)	170 (51.8)					2.5 (1.1)	170 (51.8)					
180 (54.9)					2.0 (0.9)	180 (54.9)					2.0 (0.9)	180 (54.9)					
190 (57.9)						190 (57.9)						190 (57.9)					

This material is supplied for reference use only. Operator must refer to in-cab Crane Rating Manual and Operator's Manual to determine allowable crane lifting capacities and assembly and operating procedures.

<b>Tube Boom + 45 ft (13.7m) Offset Jib Length — 360° Rotation</b> <b>ABC [52,320 lb (23,732kg)] Counterweight</b> <b>[All capacities are listed in kips (mt)]</b>																	
5° Offset						15° Offset						25° Offset					
Load Radius ft (m)	Main Boom Length ft (m)					Load Radius ft (m)	Main Boom Length ft (m)					Load Radius ft (m)	Main Boom Length ft (m)				
	40 (12.2)	80 (24.3)	100 (30.5)	140 (42.7)	180 (54.9)		40 (12.2)	80 (24.3)	100 (30.5)	140 (42.7)	180 (54.9)		40 (12.2)	80 (24.3)	100 (30.5)	140 (42.7)	180 (54.9)
25 (7.6)	24.0 (10.9)					25 (7.6)						25 (7.6)					
30 (9.1)	24.0 (10.9)	24.0 (10.9)				30 (9.1)	19.2 (8.7)					30 (9.1)					
35 (10.7)	21.8 (9.9)	24.0 (10.9)	24.0 (10.9)			35 (10.7)	17.3 (7.8)					35 (10.7)					
40 (12.2)	19.1 (8.7)	24.0 (10.9)	24.0 (10.9)	24.0 (10.9)		40 (12.2)	16.7 (7.6)	18.2 (8.3)				40 (12.2)	12.6 (5.7)				
50 (15.2)	16.7 (7.6)	20.8 (9.4)	22.9 (10.4)	22.2 (10.1)	15.9 (7.2)	50 (15.2)	13.6 (6.2)	17.2 (7.8)	17.3 (7.8)	18.4 (8.3)		50 (15.2)	10.6 (4.8)	12.3 (5.6)	12.9 (5.9)		
60 (18.3)	13.7 (6.2)	17.5 (7.9)	19.7 (8.9)	19.4 (8.8)	15.3 (6.9)	60 (18.9)	11.5 (5.2)	14.8 (6.7)	16.2 (7.3)	17.2 (7.8)	13.8 (6.3)	60 (18.9)	9.2 (4.2)	11.0 (5.0)	11.6 (5.3)	12.6 (5.7)	
70 (21.3)	11.7 (5.3)	16.6 (7.5)	16.7 (7.6)	16.0 (7.3)	14.6 (6.6)	70 (21.3)	10.0 (4.5)	13.1 (5.9)	14.3 (6.5)	15.8 (7.2)	13.3 (6.0)	70 (21.3)	8.2 (3.7)	9.9 (4.5)	10.6 (4.8)	11.6 (5.3)	
80 (24.4)	10.2 (4.6)	14.2 (6.4)	13.9 (6.3)	13.1 (5.9)	12.4 (5.6)	80 (24.8)		11.7 (5.3)	12.9 (5.9)	13.5 (6.1)	12.7 (5.8)	80 (24.8)		9.1 (4.1)	9.8 (4.4)	10.8 (4.9)	
90 (27.4)		12.1 (5.5)	11.7 (5.3)	11.0 (5.0)	10.2 (4.6)	90 (27.4)		10.6 (4.8)	11.7 (5.3)	11.3 (5.1)	10.6 (4.8)	90 (27.4)		8.5 (3.9)	9.1 (4.1)	10.1 (4.6)	
100 (30.5)		10.5 (4.8)	10.1 (4.6)	9.3 (4.2)	8.5 (3.9)	100 (30.5)		9.8 (4.4)	10.2 (4.6)	9.6 (4.4)	8.9 (4.0)	100 (30.5)		7.9 (3.6)	8.5 (3.9)	9.5 (4.3)	
110 (33.5)		9.1 (4.1)	8.7 (3.9)	7.9 (3.6)	7.2 (3.3)	110 (33.5)		9.1 (4.1)	8.9 (4.0)	8.2 (3.7)	7.5 (3.4)	110 (33.5)			8.1 (3.7)	8.4 (3.8)	
120 (36.6)		8.0 (3.6)	7.6 (3.4)	6.8 (3.1)	6.0 (2.7)	120 (36.6)			7.7 (3.5)	7.0 (3.2)	6.3 (2.9)	120 (36.6)				7.2 (3.3)	
130 (39.6)			6.7 (3.0)	5.9 (2.7)	5.1 (2.3)	130 (39.6)			6.8 (3.1)	6.1 (2.8)	5.3 (2.4)	130 (39.6)				6.2 (2.8)	
140 (42.7)				5.1 (2.3)	4.3 (2.0)	140 (42.7)				5.2 (2.4)	4.5 (2.0)	140 (42.7)				5.3 (2.4)	
150 (45.7)				4.4 (2.0)	3.6 (1.6)	150 (45.7)				4.5 (2.0)	3.8 (1.7)	150 (45.7)				4.6 (2.1)	
160 (48.8)				3.8 (1.7)	3.0 (1.4)	160 (48.8)				3.9 (1.8)	3.2 (1.5)	160 (48.8)				3.3 (1.5)	
170 (51.8)				3.3 (1.5)	2.5 (1.1)	170 (51.8)					2.6 (1.2)	170 (51.8)				2.7 (1.2)	
180 (54.9)					2.0 (0.9)	180 (54.9)					2.2 (1.0)	180 (54.9)					
190 (57.9)					1.6 (0.7)	190 (57.9)					1.7 (0.8)	190 (57.9)					

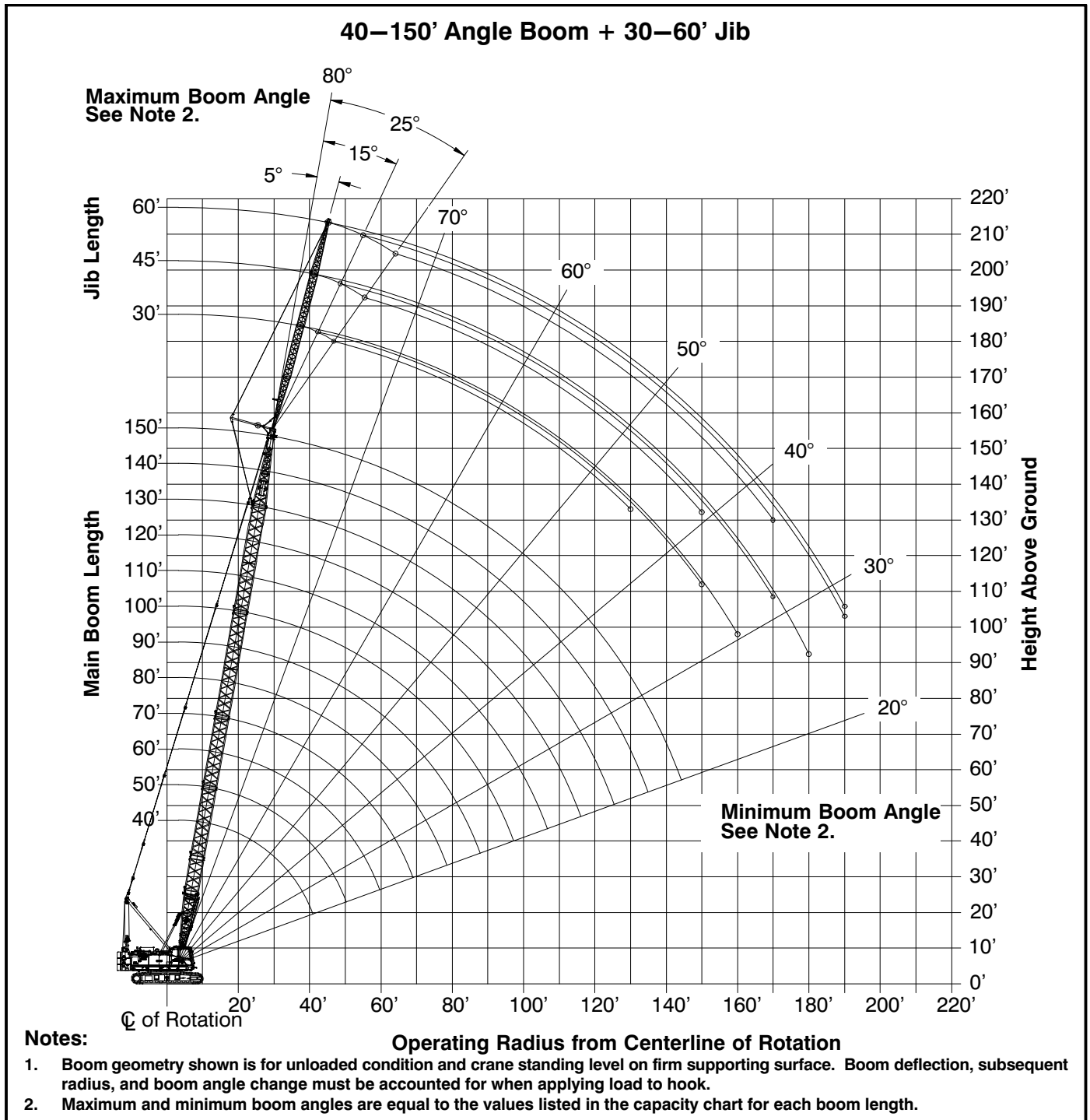
This material is supplied for reference use only. Operator must refer to in-cab Crane Rating Manual and Operator’s Manual to determine allowable crane lifting capacities and assembly and operating procedures.

<b>Tube Boom + 60 ft (18.3m) Offset Jib Length – 360° Rotation</b> <b>ABC [52,320 lb (23,732kg)] Counterweight</b> <b>[All capacities are listed in kips (mt)]</b>																	
5° Offset						15° Offset						25° Offset					
Load Radius ft (m)	Main Boom Length ft (m)					Load Radius ft (m)	Main Boom Length ft (m)					Load Radius ft (m)	Main Boom Length ft (m)				
	40 (12.2)	80 (24.3)	100 (30.5)	140 (42.7)	180 (54.9)		40 (12.2)	80 (24.3)	100 (30.5)	140 (42.7)	180 (54.9)		40 (12.2)	80 (24.3)	100 (30.5)	140 (42.7)	180 (54.9)
30 (9.1)	21.2 (9.6)					30 (9.1)						30 (9.1)					
35 (10.7)	18.3 (8.3)	23.0 (10.4)				35 (10.7)						35 (10.7)					
40 (12.2)	17.3 (7.8)	20.4 (9.3)	22.3 (10.1)			40 (12.2)	13.8 (6.3)					40 (12.2)					
50 (15.2)	13.8 (6.3)	17.3 (7.8)	18.3 (8.3)	19.0 (8.6)		50 (15.2)	11.2 (5.1)	13.4 (6.1)	14.3 (6.5)			50 (15.2)	8.6 (3.9)				
60 (18.3)	11.3 (5.1)	15.3 (6.9)	17.1 (7.8)	17.2 (7.8)	13.4 (6.1)	60 (18.9)	9.4 (4.3)	11.6 (5.3)	12.4 (5.6)	13.9 (6.3)		60 (18.9)	7.4 (3.4)	8.4 (3.8)	8.8 (4.0)		
70 (21.3)	9.6 (4.4)	13.0 (5.9)	14.7 (6.7)	15.2 (6.9)	12.9 (5.9)	70 (21.3)	8.1 (3.7)	10.1 (4.6)	11.0 (5.0)	12.4 (5.6)	11.2 (5.1)	70 (21.3)	6.5 (2.9)	7.6 (3.4)	8.0 (3.6)	8.6 (3.9)	8.9 (4.0)
80 (24.4)	8.3 (3.8)	11.3 (5.1)	12.8 (5.8)	13.2 (6.0)	12.3 (5.6)	80 (24.8)	7.1 (3.2)	9.0 (4.1)	9.8 (4.4)	11.2 (5.1)	10.8 (4.9)	80 (24.8)	5.8 (2.6)	6.9 (3.1)	7.3 (3.3)	8.0 (3.6)	8.5 (3.9)
90 (27.4)	7.3 (3.3)	10.0 (4.5)	11.3 (5.1)	11.1 (5.0)	10.3 (4.7)	90 (27.4)	6.4 (2.9)	8.1 (3.7)	8.9 (4.0)	10.3 (4.7)	10.2 (4.6)	90 (27.4)		6.3 (2.9)	6.7 (3.0)	7.4 (3.4)	7.9 (3.6)
100 (30.5)		9.0 (4.1)	10.1 (4.6)	9.4 (4.3)	8.6 (3.9)	100 (30.5)		7.4 (3.4)	8.1 (3.7)	9.4 (4.3)	9.0 (4.1)	100 (30.5)		5.9 (2.7)	6.3 (2.9)	6.9 (3.1)	7.5 (3.4)
110 (33.5)		8.1 (3.7)	8.8 (4.0)	8.0 (3.6)	7.2 (3.3)	110 (33.5)		6.8 (3.1)	7.5 (3.4)	8.3 (3.8)	7.6 (3.4)	110 (33.5)		5.5 (2.5)	5.9 (2.7)	6.5 (2.9)	7.1 (3.2)
120 (36.6)		7.4 (3.4)	7.7 (3.5)	6.9 (3.1)	6.1 (2.8)	120 (36.6)		6.3 (2.9)	7.0 (3.2)	7.1 (3.2)	6.4 (2.9)	120 (36.6)			5.6 (2.5)	6.2 (2.8)	6.7 (3.0)
130 (39.6)		6.9 (3.1)	6.7 (3.0)	6.0 (2.7)	5.2 (2.4)	130 (39.6)			6.5 (2.9)	6.2 (2.8)	5.5 (2.5)	130 (39.6)			5.3 (2.4)	5.7 (2.6)	5.7 (2.6)
140 (42.7)			6.0 (2.7)	5.2 (2.4)	4.4 (2.0)	140 (42.7)			6.1 (2.8)	5.3 (2.4)	4.6 (2.1)	140 (42.7)				5.5 (2.5)	4.9 (2.2)
150 (45.7)			5.3 (2.4)	4.5 (2.0)	3.7 (1.7)	150 (45.7)				4.6 (2.1)	3.9 (1.8)	150 (45.7)				4.8 (2.2)	4.1 (1.9)
160 (48.8)				3.9 (1.8)	3.1 (1.4)	160 (48.8)				4.0 (1.8)	3.3 (1.5)	160 (48.8)				4.1 (1.9)	3.5 (1.6)
170 (51.8)				3.4 (1.5)	2.6 (1.2)	170 (51.8)				3.5 (1.6)	2.7 (1.2)	170 (51.8)					2.9 (1.3)
180 (54.9)				2.9 (1.3)	2.1 (1.0)	180 (54.9)				3.0 (1.4)	2.2 (1.0)	180 (54.9)					2.4 (1.1)
190 (57.9)					1.7 (0.8)	190 (57.9)					1.8 (0.8)	190 (57.9)					

This material is supplied for reference use only. Operator must refer to in-cab Crane Rating Manual and Operator's Manual to determine allowable crane lifting capacities and assembly and operating procedures.



# Angle Boom + Jib Working Range Diagram



# Angle Boom + Jib Load Charts

Angle Boom + 30 ft (9.14m) Offset Jib Length – 360° Rotation ABC [52,319 lb (23,732kg)] Counterweight [All capacities are listed in kips (mt)]																	
5° Offset						15° Offset						25° Offset					
Load Radius ft (m)	Main Boom Length ft (m)					Load Radius ft (m)	Main Boom Length ft (m)					Load Radius ft (m)	Main Boom Length ft (m)				
	40 (12.2)	80 (24.3)	100 (30.5)	120 (36.6)	150 (45.7)		40 (12.2)	80 (24.3)	100 (30.5)	120 (36.6)	150 (45.7)		40 (12.2)	80 (24.3)	100 (30.5)	120 (36.6)	150 (45.7)
20 (6.1)	24.0 (10.9)					20 (6.1)					20 (6.1)						
25 (7.6)	24.0 (10.9)					25 (7.6)	24.0 (10.9)				25 (7.6)						
30 (9.1)	24.0 (10.9)	24.0 (10.9)	24.0 (10.9)			30 (9.1)	24.0 (10.9)				30 (9.1)	19.7 (8.9)					
35 (10.7)	24.0 (10.9)	24.0 (10.9)	24.0 (10.9)	24.0 (10.9)		35 (10.7)	23.6 (10.7)	24.0 (10.9)	24.0 (10.9)		35 (10.7)	17.7 (8.0)	20.6 (9.3)				
40 (12.2)	24.0 (10.9)	24.0 (10.9)	24.0 (10.9)	24.0 (10.9)	24.0 (10.9)	40 (12.2)	21.0 (9.5)	24.0 (10.9)	24.0 (10.9)	24.0 (10.9)	40 (12.2)	16.9 (7.7)	19.1 (8.7)	20.1 (9.1)			
50 (15.2)	20.9 (9.5)	24.0 (10.9)	24.0 (10.9)	24.0 (10.9)	23.9 (10.8)	50 (15.2)	17.3 (7.8)	23.1 (10.5)	23.8 (10.8)	23.7 (10.8)	23.0 (10.4)	50 (15.2)	14.7 (6.7)	17.3 (7.8)	17.9 (8.1)	18.8 (8.5)	19.8 (9.0)
60 (18.3)	17.3 (7.8)	20.2 (9.2)	19.7 (8.9)	19.2 (8.7)	18.4 (8.3)	60 (18.9)	16.2 (7.3)	20.0 (9.1)	20.0 (9.1)	19.6 (8.9)	18.9 (8.6)	60 (18.9)	13.2 (6.0)	16.0 (7.3)	17.0 (7.7)	17.1 (7.8)	18.0 (8.2)
70 (21.3)		16.4 (7.4)	15.8 (7.2)	15.3 (6.9)	14.5 (6.6)	70 (21.3)		16.6 (7.5)	16.1 (7.3)	15.6 (7.1)	14.9 (6.8)	70 (21.3)		14.7 (6.7)	15.8 (7.2)	15.9 (7.2)	15.2 (6.9)
80 (24.4)		13.6 (6.2)	13.0 (5.9)	12.5 (5.7)	11.6 (5.3)	80 (24.8)		13.7 (6.2)	13.2 (6.0)	12.7 (5.8)	12.0 (5.4)	80 (24.8)		13.7 (6.2)	13.4 (6.1)	13.0 (5.9)	12.3 (5.6)
90 (27.4)		11.4 (5.2)	10.9 (4.9)	10.3 (4.7)	9.5 (4.3)	90 (27.4)		11.5 (5.2)	11.1 (5.0)	10.6 (4.8)	9.8 (4.4)	90 (27.4)			11.2 (5.1)	10.7 (4.9)	10.0 (4.5)
100 (30.5)		9.8 (4.4)	9.2 (4.2)	8.7 (3.9)	7.8 (3.5)	100 (30.5)			9.3 (4.2)	8.8 (4.0)	8.0 (3.6)	100 (30.5)			9.5 (4.3)	9.0 (4.1)	8.3 (3.8)
110 (33.5)			7.9 (3.6)	7.3 (3.3)	6.4 (2.9)	110 (33.5)			8.0 (3.6)	7.4 (3.4)	6.6 (3.0)	110 (33.5)				7.6 (3.4)	6.8 (3.1)
120 (36.6)			6.7 (3.0)	6.2 (2.8)	5.3 (2.4)	120 (36.6)				6.3 (2.9)	5.5 (2.5)	120 (36.6)					5.6 (2.5)
130 (39.6)				5.2 (2.4)	4.4 (2.0)	130 (39.6)				5.3 (2.4)	4.5 (2.0)	130 (39.6)					4.6 (2.1)
140 (42.7)				4.1 (1.9)	3.6 (1.6)	140 (42.7)					3.7 (1.7)	140 (42.7)					
150 (45.7)					2.9 (1.3)	150 (45.7)					3.0 (1.4)	150 (45.7)					
160 (48.8)					1.9 (0.9)	160 (48.8)						160 (48.8)					

This material is supplied for reference use only. Operator must refer to in-cab Crane Rating Manual and Operator's Manual to determine allowable crane lifting capacities and assembly and operating procedures.

<b>Angle Boom + 45 ft (13.7m) Offset Jib Length – 360° Rotation</b>																	
<b>ABC [52,319 lb (23,732kg)] Counterweight</b>																	
<b>[All capacities are listed in kips (mt)]</b>																	
5° Offset						15° Offset						25° Offset					
Load Radius ft (m)	Main Boom Length ft (m)					Load Radius ft (m)	Main Boom Length ft (m)					Load Radius ft (m)	Main Boom Length ft (m)				
	40 (12.2)	80 (24.3)	100 (30.5)	120 (36.6)	150 (45.7)		40 (12.2)	80 (24.3)	100 (30.5)	120 (36.6)	150 (45.7)		40 (12.2)	80 (24.3)	100 (30.5)	120 (36.6)	150 (45.7)
25 (7.6)	24.0 (10.9)					25 (7.6)						25 (7.6)					
30 (9.1)	24.0 (10.9)	24.0 (10.9)				30 (9.1)	19.2 (8.7)					30 (9.1)					
35 (10.7)	21.7 (9.8)	24.0 (10.9)	24.0 (10.9)			35 (10.7)	17.3 (7.8)					35 (10.7)					
40 (12.2)	19.0 (8.6)	24.0 (10.9)	24.0 (10.9)	24.0 (10.9)		40 (12.2)	16.6 (7.5)	18.1 (8.2)				40 (12.2)	12.5 (5.7)				
50 (15.2)	16.6 (7.5)	20.7 (9.4)	21.1 (9.6)	21.1 (9.6)	21.7 (9.8)	50 (15.2)	13.5 (6.1)	17.1 (7.8)	17.3 (7.8)	17.5 (7.9)	18.3 (8.3)	50 (15.2)	10.5 (4.8)	12.2 (5.5)	12.8 (5.8)		
60 (18.3)	13.7 (6.2)	17.4 (7.9)	18.3 (8.3)	18.5 (8.4)	18.7 (8.5)	60 (18.9)	11.4 (5.2)	14.7 (6.7)	16.1 (7.3)	16.7 (7.6)	17.1 (7.8)	60 (18.9)	9.2 (4.2)	10.9 (4.9)	11.6 (5.3)	12.1 (5.5)	12.7 (5.8)
70 (21.3)	11.6 (5.3)	16.5 (7.5)	16.1 (7.3)	15.5 (7.0)	14.7 (6.7)	70 (21.3)	10.0 (4.5)	13.0 (5.9)	14.3 (6.5)	15.1 (6.8)	15.3 (6.9)	70 (21.3)	8.2 (3.7)	9.9 (4.5)	10.5 (4.8)	11.1 (5.0)	11.8 (5.4)
80 (24.4)	10.1 (4.6)	13.8 (6.3)	13.2 (6.0)	12.7 (5.8)	11.9 (5.4)	80 (24.8)		11.6 (5.3)	12.8 (5.8)	13.1 (5.9)	12.4 (5.6)	80 (24.8)		9.1 (4.1)	9.7 (4.4)	10.3 (4.7)	11.0 (5.0)
90 (27.4)		11.6 (5.3)	11.1 (5.0)	10.6 (4.8)	9.7 (4.4)	90 (27.4)		10.6 (4.8)	11.4 (5.2)	10.9 (4.9)	10.1 (4.6)	90 (27.4)		8.4 (3.8)	9.0 (4.1)	9.6 (4.4)	10.3 (4.7)
100 (30.5)		10.0 (4.5)	9.4 (4.3)	8.9 (4.0)	8.0 (3.6)	100 (30.5)		9.7 (4.4)	9.6 (4.4)	9.1 (4.1)	8.4 (3.8)	100 (30.5)		7.9 (3.6)	8.5 (3.9)	9.0 (4.1)	8.7 (3.9)
110 (33.5)		8.6 (3.9)	8.1 (3.7)	7.5 (3.4)	6.7 (3.0)	110 (33.5)		8.7 (3.9)	8.2 (3.7)	7.7 (3.5)	7.0 (3.2)	110 (33.5)			8.0 (3.6)	7.9 (3.6)	7.2 (3.3)
120 (36.6)			7.0 (3.2)	6.4 (2.9)	5.5 (2.5)	120 (36.6)			7.1 (3.2)	6.6 (3.0)	5.8 (2.6)	120 (36.6)				6.7 (3.0)	6.0 (2.7)
130 (39.6)			6.0 (2.7)	5.5 (2.5)	4.6 (2.1)	130 (39.6)				5.6 (2.5)	4.8 (2.2)	130 (39.6)					5.0 (2.3)
140 (42.7)				4.7 (2.1)	3.8 (1.7)	140 (42.7)				4.8 (2.2)	4.0 (1.8)	140 (42.7)					4.2 (1.9)
150 (45.7)				3.9 (1.8)	3.1 (1.4)	150 (45.7)					3.3 (1.5)	150 (45.7)					3.4 (1.5)
160 (48.8)					2.5 (1.1)	160 (48.8)					2.6 (1.2)	160 (48.8)					
170 (51.8)					2.0 (0.9)	170 (51.8)						170 (51.8)					

This material is supplied for reference use only. Operator must refer to in-cab Crane Rating Manual and Operator's Manual to determine allowable crane lifting capacities and assembly and operating procedures.

<b>Angle Boom + 60 ft (18.3m) Offset Jib Length – 360° Rotation</b> <b>ABC [52,319 lb (23,732kg)] Counterweight</b> <b>[All capacities are listed in kips (mt)]</b>																	
5° Offset						15° Offset						25° Offset					
Load Radius ft (m)	Main Boom Length ft (m)					Load Radius ft (m)	Main Boom Length ft (m)					Load Radius ft (m)	Main Boom Length ft (m)				
	40 (12.2)	80 (24.3)	100 (30.5)	120 (36.6)	150 (45.7)		40 (12.2)	80 (24.3)	100 (30.5)	120 (36.6)	150 (45.7)		40 (12.2)	80 (24.3)	100 (30.5)	120 (36.6)	150 (45.7)
30 (9.1)	21.2 (9.6)					30 (9.1)						30 (9.1)					
35 (10.7)	18.2 (8.3)	22.8 (10.3)				35 (10.7)						35 (10.7)					
40 (12.2)	17.3 (7.8)	20.3 (9.2)	20.7 (9.4)	20.6 (9.3)		40 (12.2)	13.7 (6.2)					40 (12.2)					
50 (15.2)	13.7 (6.2)	17.3 (7.8)	17.8 (8.1)	17.7 (8.0)	18.2 (8.3)	50 (15.2)	11.1 (5.0)	13.4 (6.1)	14.2 (6.4)	15.0 (6.8)		50 (15.2)	8.5 (3.9)				
60 (18.3)	11.3 (5.1)	15.2 (6.9)	16.1 (7.3)	16.2 (7.3)	16.8 (7.6)	60 (18.9)	9.3 (4.2)	11.5 (5.2)	12.4 (5.6)	13.1 (5.9)	14.1 (6.4)	60 (18.9)	7.3 (3.3)	8.4 (3.8)	8.8 (4.0)	9.1 (4.1)	
70 (21.3)	9.5 (4.3)	13.0 (5.9)	14.2 (6.4)	14.4 (6.5)	14.9 (6.8)	70 (21.3)	8.0 (3.6)	10.1 (4.6)	10.9 (4.9)	11.7 (5.3)	12.7 (5.8)	70 (21.3)	6.4 (2.9)	7.5 (3.4)	7.9 (3.6)	8.3 (3.8)	8.7 (3.9)
80 (24.4)	8.2 (3.7)	11.3 (5.1)	12.7 (5.8)	12.9 (5.9)	12.1 (5.5)	80 (24.8)	7.1 (3.2)	9.0 (4.1)	9.8 (4.4)	10.5 (4.8)	11.5 (5.2)	80 (24.8)	5.8 (2.6)	6.8 (3.1)	7.3 (3.3)	7.6 (3.4)	8.1 (3.7)
90 (27.4)	7.3 (3.3)	10.0 (4.5)	11.3 (5.1)	10.7 (4.9)	9.9 (4.5)	90 (27.4)	6.3 (2.9)	8.1 (3.7)	8.9 (4.0)	9.6 (4.4)	10.4 (4.7)	90 (27.4)		6.3 (2.9)	6.7 (3.0)	7.1 (3.2)	7.5 (3.4)
100 (30.5)		8.9 (4.0)	9.6 (4.4)	9.0 (4.1)	8.2 (3.7)	100 (30.5)		7.4 (3.4)	8.1 (3.7)	8.8 (4.0)	8.7 (3.9)	100 (30.5)		5.8 (2.6)	6.2 (2.8)	6.6 (3.0)	7.1 (3.2)
110 (33.5)		8.1 (3.7)	8.2 (3.7)	7.7 (3.5)	6.8 (3.1)	110 (33.5)		6.8 (3.1)	7.5 (3.4)	8.0 (3.6)	7.2 (3.3)	110 (33.5)		5.5 (2.5)	5.8 (2.6)	6.2 (2.8)	6.7 (3.0)
120 (36.6)		7.4 (3.4)	7.1 (3.2)	6.5 (2.9)	5.7 (2.6)	120 (36.6)		6.3 (2.9)	6.9 (3.1)	6.8 (3.1)	6.0 (2.7)	120 (36.6)			5.5 (2.5)	5.9 (2.7)	6.3 (2.9)
130 (39.6)		6.7 (3.0)	6.1 (2.8)	5.6 (2.5)	4.7 (2.1)	130 (39.6)			6.3 (2.9)	5.8 (2.6)	5.1 (2.3)	130 (39.6)			5.3 (2.4)	5.6 (2.5)	5.3 (2.4)
140 (42.7)			5.3 (2.4)	4.8 (2.2)	3.9 (1.8)	140 (42.7)			5.5 (2.5)	5.0 (2.3)	4.2 (1.9)	140 (42.7)				5.1 (2.3)	4.5 (2.0)
150 (45.7)			4.4 (2.0)	4.1 (1.9)	3.2 (1.5)	150 (45.7)				4.3 (2.0)	3.5 (1.6)	150 (45.7)					3.7 (1.7)
160 (48.8)				3.5 (1.6)	2.6 (1.2)	160 (48.8)					2.8 (1.3)	160 (48.8)					3.0 (1.4)
170 (51.8)					2.1 (1.0)	170 (51.8)					2.3 (1.0)	170 (51.8)					

This material is supplied for reference use only. Operator must refer to in-cab Crane Rating Manual and Operator's Manual to determine allowable crane lifting capacities and assembly and operating procedures.

**This Page Intentionally Blank**

**Link-Belt Construction Equipment Company** Lexington, Kentucky [www.linkbelt.com](http://www.linkbelt.com)

□LinkBelt is a registered trademark. Copyright 2015. We are constantly improving our products and therefore reserve the right to change designs and specifications.