

LAYHER SPEEDYSCAF® CATALOGUE

Edition 04.2016
Ref. No. 8102.257

Quality management
certified according
to ISO 9001:2008
by German TÜV-CERT



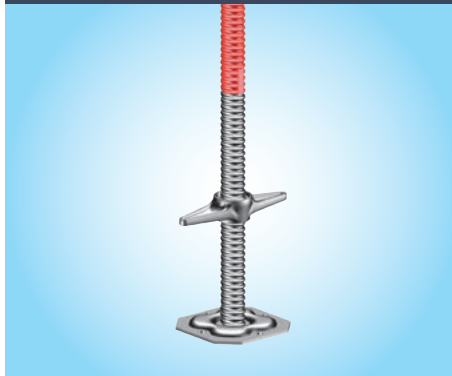


COMPANY FROM PAGE 4



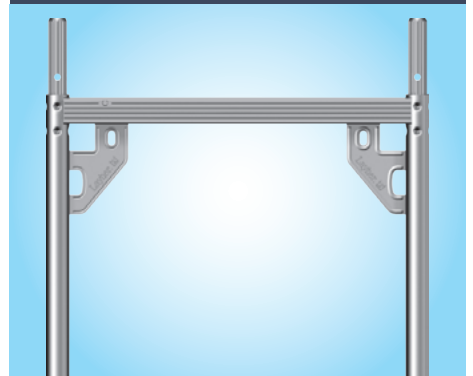
Quality "Made by Layher"	4
More Speed	5
More Experience	5
More Knowledge	5
More Clarity	5
More Quality	5

SCAFFOLDING BASIS FROM PAGE 8



Software for scaffolding construction	8
Base plates	8

BASIC COMPONENTS FROM PAGE 10



Euro assembly frames	10
Scaffolding pallets	10
Scaffolding decks	12
Access decks	14
Side protection	16
Diagonal bracing	18



EXTENSION COMPONENTS

FROM PAGE 20



Brackets	20
Anchoring	22
Standard brick guard, pedestrian protection, guardrail closure	24
Stairway access, modular stairway	26
System lattice beam, assembly frames for special applications	28
Accessories	30
Weather protection, railing clamp	32
Accessories, tools	34
Fall protection, scaffolding pallets	36

PRODUCT PORTFOLIO



The Layher product range – all catalogues at a glance	
SpeedyScaf system	Ref. No. 8102.257
Allround Scaffolding system	Ref. No. 8116.253
System-free Accessories	Ref. No. 8103.255
Protective systems	Ref. No. 8121.254
Event systems	Ref. No. 8111.228
Rolling towers ladders and stairs	Ref. No. 8118.227

NOTICE

All dimensions and weights are guideline values. Subject to technical modification.

Steel components are galvanized according to EN ISO 1461 and DAST guideline 022. Connection parts are galvanized according to EN ISO 4042.

Our deliveries shall be made exclusively in accordance with our currently valid General Terms of Sale. These include the following provisions: The place of performance is Gueglingen-Eibensbach. Title to the delivered goods shall be retained until full payment has been made.

Please request the specific instructions for assembly and use when ordering. Protected by copyright. Not to be reproduced, either in whole or in part. Misprints and errors excepted.

QUALITY MADE BY LAYHER



Headquarters in Eibensbach



Plant 2 in Gueglingen

HERE IS THE BEATING HEART OF LAYHER.

Quality made by Layher comes from Gueglingen-Eibensbach. Our company has set down deep local roots since it was established. Right up until today, development, production, logistics and management are all in one place, where the conditions are best for achieving quality made by Layher: in Gueglingen-Eibensbach. The two locations together cover a surface area of 318,000 m². This includes more than 142,000 m² of covered production and storage areas. This is where our scaffolding systems are created by highly automated production. Short distances and short reaction times mean we can adapt production to suit our customers' requirements, flexibly and at any time.

MORE POSSIBILITIES. THE SCAFFOLDING SYSTEM.

This brand promise made by Layher is the expression of a brand philosophy that we've been living by for over 70 years. More speed, more safety, more proximity, more simplicity and more future: values with which we strengthen our customers' competitiveness in the long term. With our innovative systems and solutions, we're working all the time on making scaffolding construction even simpler, even more economical and, above all, even safer. With comprehensive services, a permanent range of training courses and an ethos of customer focus, more than 1,500 dedicated Layher employees are creating more possibilities for our customers every single day. In more than 35 countries all over the world.



MORE INFORMATION

Discover the world of Layher in its company film at:

grimageen.layher.com





MORE SPEED

We can supply any required quantity of the right products at the right time – to anywhere in the world. Layher has subsidiaries in more than 35 countries in all five continents, with a tight-knit network of national service centers. Speed is also the motto of our logistics concept. Customers have the choice of picking up their material at a Layher service center or having it delivered either to a warehouse or “just in time” directly to the site.



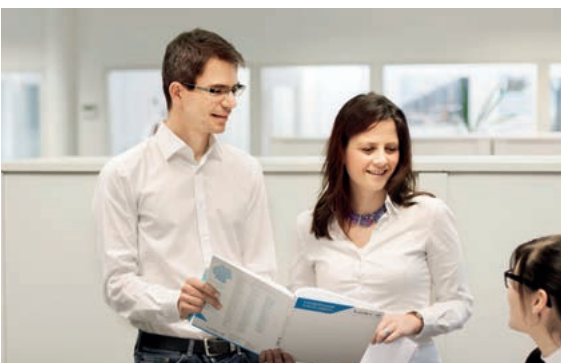
MORE EXPERIENCE

Tradition has grown into experience and expertise. Our experts pass on this knowledge – all over the world. Existing customers might want to try a different approach, while new customers might need support when assembling a Layher scaffolding structure. Layher’s specialists get to grips with the specific tasks and requirements, devising for our customers persuasive solutions that are both profitable and efficient. Good advice from Layher is guaranteed. We take care of our customers at every level, because cooperation with them on the basis of mutual trust as well as their success are important to us.



MORE KNOWLEDGE

Further training is the key to success. For this reason, Layher organizes regular training seminars that prepare our customers for current and future challenges specifically in scaffolding. This training scheme is backed up by many other options, for example practical product training courses and regular meetings for scaffolding erectors to promote the flow of information between experts and colleagues. And last but not least, Layher offers comprehensive publications on all topics to do with scaffolding construction.



MORE CLARITY

Saving time, using material in the best way, improving logistics. All that can be done with Layher’s planning software, LayPLAN, or the special Layher tools for AutoCAD®. Layher software means greater reliability when budgeting and planning scaffolding construction projects. Optimization of inventory management and complete cost transparency for the material used in a project. Once the dimensions and the required assembly variant have been entered, the Layher software supplies a scaffolding proposal with matching material list within seconds.



MORE QUALITY

People talk a lot about quality. We just produce it. Quality from Layher means state-of-the-art production processes, carefully selected materials, smart automation and a highly qualified workforce. Our products comply with the very latest security standards and possess DIN ISO certification, German TÜV approval, and many other German and international quality labels. 21,000 kilometres of steel tubing in high-quality workmanship are convincing testimony to Layher’s quality standards.



EASY AND FAST

For decades now, Layher SpeedyScaf equipment has been the recognized leader in insertion-frame systems with the Euro Speedy frame. Unbeatably fast, robust and stable, making it ideal for work on façades. Layher SpeedyScaf is, thanks to its versatile and well thought-out range of parts, equally economical to use in scaffolding construction and in professional trades.

With just six basic elements and a few manual operations, this logically and safely erected scaffolding is "speedy" because it is assembled without bolts. Numerous expansion parts permit optimum adaptation to existing building geometries – without much extra effort during assembly. SpeedyScaf is available in different scaffolding widths, made of hot-dip galvanized steel or lightweight aluminium, for every application.

This catalogue provides you with an overview of all the basic elements and accessories for the following scaffolding variants:

SpeedyScaf 0.73 m wide, hot-dip galvanized steel,
up to load class 3 as per DIN EN 12811

SpeedyScaf 0.73 m wide, aluminium,
up to load class 3 as per DIN EN 12811

SpeedyScaf 1.09 m wide, hot-dip galvanized steel,
for load classes 4 – 6 as per DIN EN 12811
(depending on deck design and bay length).

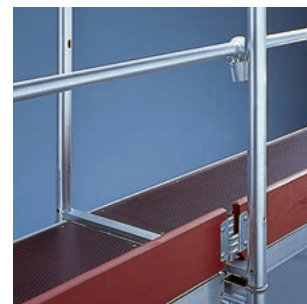
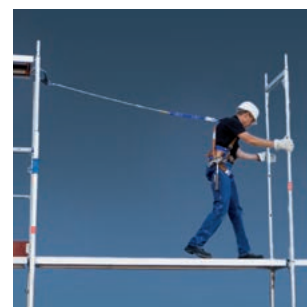
Layher SpeedyScaf has general building authority approval from the Deutsches Institut für Bautechnik (German Civil Engineering Institute) in Berlin under the approval numbers Z-8.1-16.2 SpeedyScaf 70 in steel, Z-8.1-840 SpeedyScaf 100 in steel and Z-8.1-844 SpeedyScaf 70 in aluminium for regular version up to 24 m, plus possible spindle adjustment.

YOUR BENEFITS AT A GLANCE

- ▶ Speedy, unlaboured and vertical assembly as well as ergonomic handling thanks to simple insertion technology and lightweight basic elements. Saving in time and cost savings for your success.
- ▶ Uncompromising safety during assembly and maximum stability during assembly and while work thanks to firmly wedged components and non-positively connected.
- ▶ The integrated scaffolding system for easy and complicated applications is fully combinable with all former generations. Maximum investment protection thanks to long durability, purchase availability for decades and continuous enhancements.
- ▶ The comprehensive range of parts and application-oriented accessories are suitable for every trade and application.



The sum of all advantages cleverly combined: that's the secret behind the success of Layher SpeedyScaf – and hence the secret behind the success of every single user – every single day.



THE INTEGRATED SCAFFOLDING SYSTEM: APPLICATION-ORIENTED ACCESSORIES

Protective Roofs

Layher weather protection roofs can be used in a number of variants depending on their span, the snow load or the wind load. That saves you real money when planning temporary weather protection roofs. For easy use on the site, clearly set-out material and loading capacity tables for snow and wind loads are available for you. Protective roofs are not a one-off solution for Layher, but a standard product – this ensures readiness for immediate delivery.



Protect System

With its Protect System, Layher offers an enclosure system that fits in with Allround Scaffolding and SpeedyScaf. It is used for example for pedestrian protection in combination with the Allround bridging system and also for environmental protection and noise reduction. Highly economical to use thanks to quick and easy assembly in a simple and logical assembly sequence, and the frequent use of a few system components. The Layher Protect System is not a one-off solution for Layher, but a standard product – this ensures readiness for immediate delivery.



ANTI-THEFT PROTECTION AND ADVERTISING IN ONE

Layher Individual

Assembly frames, Xtra-N-decks, Robust decks, Stalu decks, steel decks can be stamped individually. Wooden toe boards can be printed according to your preferences.



Software for scaffolding construction

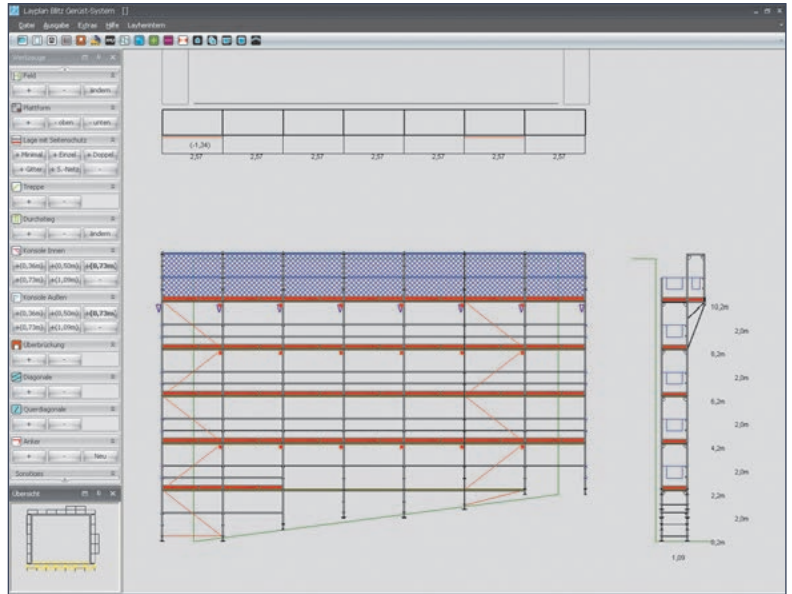
Planning of façade scaffolding using a computer is now even easier: The new LayPLAN software simply makes proposals for scaffolding, calculates the effort for assembly and dismantling, and provides printed out plans for more safety at the site. The completed drawing can be exported to AutoCAD, which can be used to do further editings.

Complete scaffolding in just three steps:

- ▶ Step 1: Plan out the scaffolding with the clearly structured LayPLAN software.
- ▶ Step 2: The printed-out plan provides you with the legal safeguard required by BetrSichV and assists you in your logistics.
- ▶ Step 3: Planning saves you time when assembling the scaffolding – all the material needed is at the site.

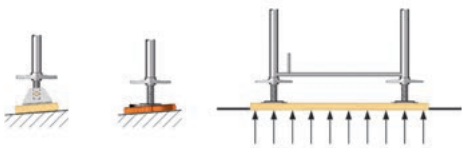
The clearly structured interface of LayPLAN is self-explanatory. This obviates the need for user courses or the study of thick manuals. A compact set of instructions is provided on the program CD.

Software for scaffolding construction



Base plates

To adjust to the ground, choose between different height-adjustable **base plates** with sturdy and self-cleaning round threads, with colour and notch markings to provide protection against overwinding. Make sure that there are sufficient load-distributing surfaces.



The round threads of all Layher scaffolding spindles have an outside diameter of 38 mm and a pitch of 8.1 mm. The wing external dimension of the spindle nut is 205 mm. The dimensions of the foot plate are 150 x 150 mm.

Further information can be found in the catalogue for System-free Accessories.



More Possibilities. The Scaffolding System.

Base plates

3

4

41 cm

5

55 cm

6

130 cm

30 cm

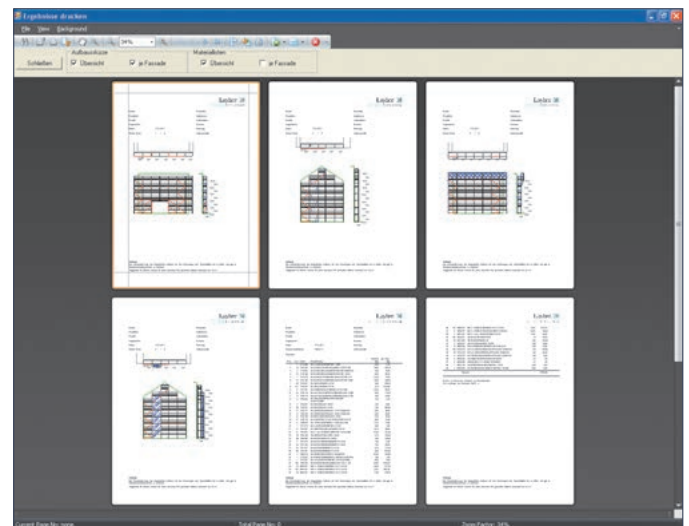
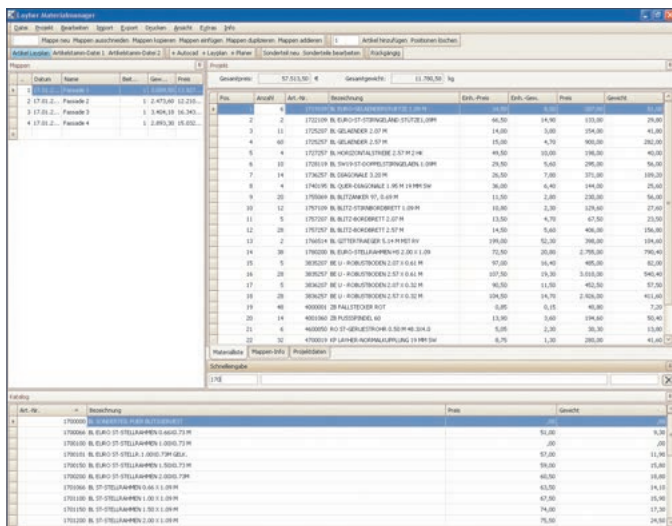
7

32 cm

8

Possibility of directly connecting 48.3 mm dia. scaffolding tubes to the threaded tube of a base plate at any angle.

Pos.	Description	Dimensions L/H x W [m]	Weight approx. [kg]	PU [pcs.]	Ref. No.
1	SINGLE LICENCE LayPLAN SpeedyScaf system incl. material manager				6345.200
2	FOLLOW-UP LICENCE LayPLAN SpeedyScaf system incl. material manager				6345.201



▶ Material manager: Processing, managing and printing out of material lists

Pos.	Description	Dimensions L/H x W [m]	Weight approx. [kg]	PU [pcs.]	Ref. No.
3	Scaffolding plank for load distribution 45 mm high, freshly sawn, sorting category S 10	1.00 x 0.24	5.2		3816.100
		1.50 x 0.24	7.8		3816.150
4	Base plate 60 (max. spindle travel 41 cm)	0.60	3.6	200	4001.060
5	Base plate 80, reinforced (max. spindle travel 55 cm)	0.80	4.9	200	4002.080
6	Base plate 150, reinforced (max. spindle travel 100 cm), ensure sufficient structural strength	1.50	10.0	25	4002.130
7	Swivelling base plate 60, reinforced (max. spindle travel 32 cm), ensure sufficient structural strength	0.60	5.5	250	4003.000
8	Wedge spindle swivel coupler		1.8	25	4735.000

WS = wrench size PU = packaging unit = available ex works = delivery time on request = only available in this packaging unit = the approval process is not yet completed
IND = Layher Individual possible – see page 7

Euro assembly frames

Euro assembly frames

The construction principle of the assembly frames ensures speedy, and stable assembly: The upper crosspiece is designed as a channel section into which the decks slide easily during assembly. The corner plate for receiving the diagonal braces and the guardrail wedge housings for dropping in the guardrails require no direct fitting or "aiming"; striking with a hammer blow ensures positive stable connections. The lower rectangular tube secures the decks automatically for further extension and the toe board pin accommodates the toe boards.

Advantages of the Euro assembly frame:

- ▶ Low weight
- ▶ Very rapid assembly of internal guardrails
- ▶ Versatile possibilities for anchoring
- ▶ Fast vertical assembly without a spirit level
- ▶ Maximum height clearance

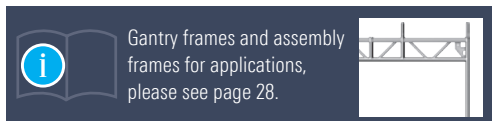
All wall thicknesses are approved for the connection of couplers.

The handy Layher assembly frame has no outwardly projecting parts – it runs smoothly through the hands, and is therefore ergonomic. Very low external dimensions save on transportation and storage space.

Adjustment frames

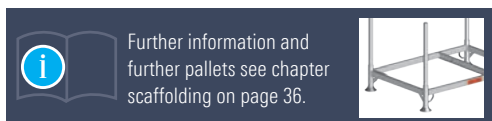


The scaffolding can be adapted to the lie of the land with 0.66 m, 1.00 m and 1.50 m adjustment frames. Assembly always begins at the highest point. The 1.50 x 1.09 m assembly frame has two guardrail wedge housings, making it suitable for use in bricklayer's scaffolding.



Scaffolding pallets

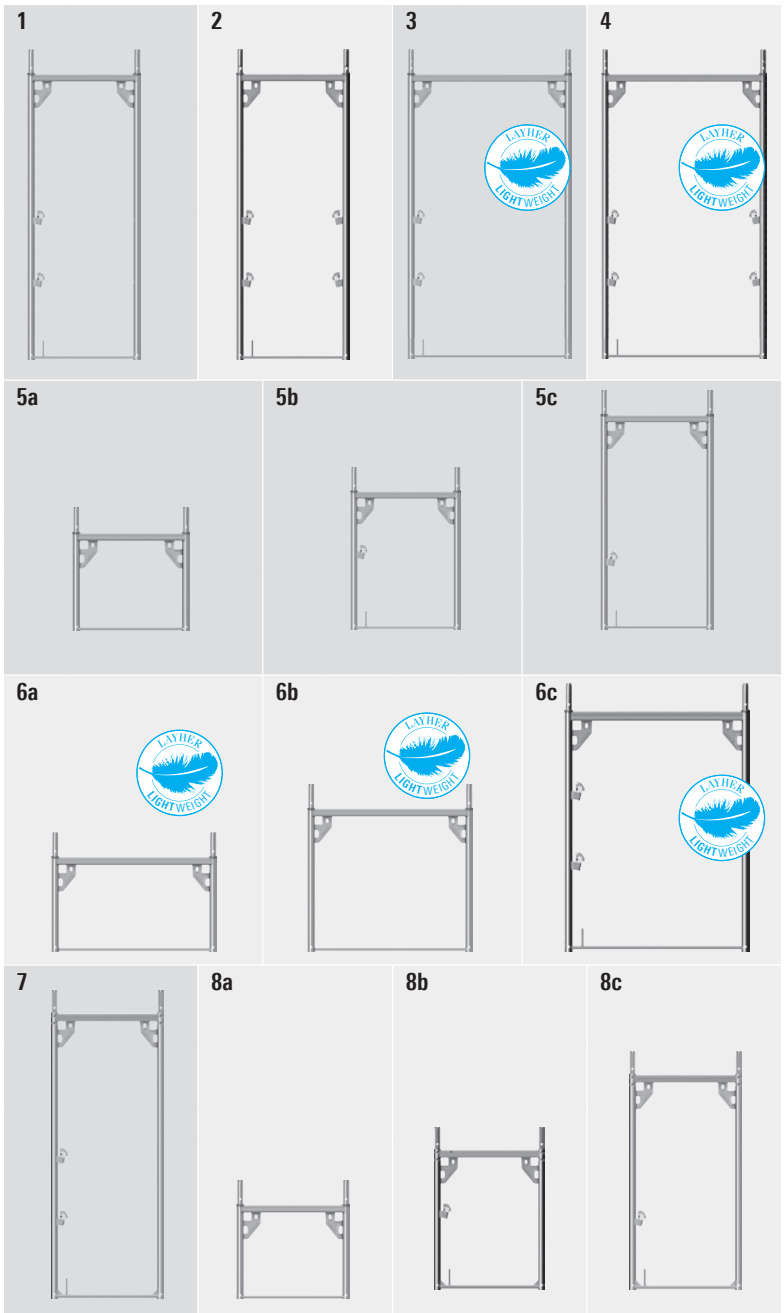
The **assembly frame pin pallet 9** is an optimised and low-cost solution for vertical palletising. It holds up to 20 assembly frames and is dimensioned such that 3 of them can be placed side by side on the truck loading surface. Fork guides and a central rung ensure absolute safety against tilting during fork-lift transport.



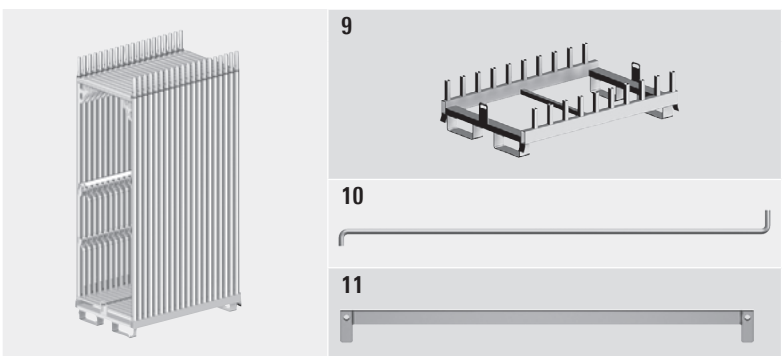
Layher










More Possibilities. The Scaffolding System.


Euro assembly frames



Scaffolding pallets



Pos.	Description	IND	Dimensions L/H x W [m]	Weight approx. [kg]	PU [pcs.]	Ref. No.
1	Euro assembly frame, steel, Standard frame 2.00 x 0.73 m with 2 guardrail wedge housings (only external guardrails)	IND	2.00 x 0.73	18.8	24	1700.200
2	Euro assembly frame, steel, Standard frame 2.00 x 0.73 m with 4 guardrail wedge housings (external and internal guardrails)	IND	2.00 x 0.73	19.6	24	1710.200 
3	Euro assembly frame LW, steel, Standard frame 2.00 x 1.09 m, with 2 guardrail wedge housings (only external guardrails)	IND 	2.00 x 1.09	21.5	24	1780.200
4	Euro assembly frame LW, steel, Standard frame 2.00 x 1.09 m, with 4 guardrail wedge housings (external and internal guardrails)	IND 	2.00 x 1.09	22.3	24	1785.200 
5	Euro assembly frame, steel, a) Adjustment frame 0.66 x 0.73 m b) Adjustment frame 1.00 x 0.73 m* c) Adjustment frame 1.50 x 0.73 m* *with 1 guardrail wedge housing and toe board pin	IND	0.66 x 0.73	9.3	75	1700.066
			1.00 x 0.73	11.9	50	1700.101
			1.50 x 0.73	15.8	24	1700.150
6	Euro assembly frame LW, steel, a) Adjustment frame 0.66 x 1.09 m b) Adjustment frame 1.00 x 1.09 m c) Adjustment frame 1.50 x 1.09 m* *with 2 guardrail wedge housings and toe board pin	IND 	0.66 x 1.09	11.5	75	1780.066 
			1.00 x 1.09	13.8	50	1780.100 
			1.50 x 1.09	14.9	24	1780.150 
7	Euro assembly frame, aluminium, Standard frame 2.00 x 0.73 m		2.00 x 0.73	8.6	24	1714.200
8	Euro assembly frame, aluminium, a) Adjustment frame 0.66 x 0.73 m b) Adjustment frame 1.00 x 0.73 m* c) Adjustment frame 1.50 x 0.73 m* *with 1 guardrail wedge housing and toe board pin		0.66 x 0.73	4.1	75	1714.066
			1.00 x 0.73	5.2	50	1714.101
			1.50 x 0.73	6.7	24	1714.150 

Pos.	Description	Dimensions L/H x W [m]	Weight approx. [kg]	PU [pcs.]	Ref. No.
9	Assembly frame pin pallet 0.73 m 1.09 m	1.20 x 0.77	34.0	10	5113.073
		1.20 x 1.13	36.2	10	5113.109 
10	Retaining rod	1.20	2.1		5113.120
11	Retaining bar	1.12	3.1		5110.112

WS = wrench size PU = packaging unit  = available ex works  = delivery time on request  = only available in this packaging unit  = the approval process is not yet completed

IND = Layher Individual possible – see page 7

Scaffolding decks

Our scaffolding decks comply with the requirements of DIN EN 12811.

In the Layher system, depending on the type of application and scaffolding group but also in accordance with your working requirements and priorities, choose from decks made of hot-dip galvanized steel, aluminium, wood or an aluminium frame with plywood board. The load-bearing capacity of the overall system must be observed. The claws of the Layher scaffolding decks slide easily during assembly into the U-sections of the assembly frame, ensuring unbeatable speed of assembly.

The **U-Xtra-N deck 4** is identical in construction with the robust deck, but is equipped with a glass-fibre-reinforced plastic plate. It is very weather-resistant: No rotting, no fungus growth, no split-open rivet holes. The breaking load of the plastic plate is about 3 times that of dry plywood. The surface has a proven anti-slip structure, which is very easy to clean. Plaster and dirt can be easily removed by using a high-pressure cleaner or a scraper.

The **U-stalu deck 5-7** is a lightweight and durable aluminium deck with sturdy, riveted steel caps.

Individual stamping

The Layher steel decks can be provided with individual lettering. Conspicuously visible on the side section, they give the Layher steel deck that certain something.



Similar to the steel decks, also the Stalu, Xtra-N and robust decks can be individualized. The stamping is particularly high-quality. The needle stamping process provides fine and very precise lettering.

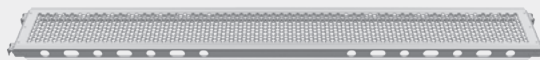


Layher® 

More Possibilities. The Scaffolding System.

Scaffolding decks

1



2



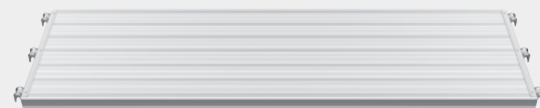
3



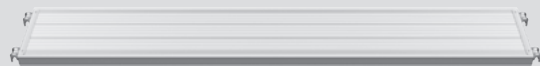
4



5



6



7



8






9



10



Pos.	Description	Use up to load class	Dimensions L/H x W [m]	Weight approx. [kg]	PU [pcs.]	Ref. No.	
1	U-steel deck T4, 0.32 m wide steel, hot-dip galvanized perforated, non-slip working surface	IND	6	0.73 x 0.32	6.0	60	3812.073
			6	1.09 x 0.32	8.4	60	3812.109
			6	1.57 x 0.32	11.9	60	3812.157
			6	2.07 x 0.32	15.0	60	3812.207
			5	2.57 x 0.32	18.2	60	3812.257
			4	3.07 x 0.32	21.5	60	3812.307
			3	4.14 x 0.32	29.8	60	3812.414
2	Steel tube, 33.7 mm , hot-dip galvanized Fits through the edge holes of Ref. No. 3812		1.50	3.0	100	4603.150 	
3	U-steel deck, 0.19 m wide constructed as 3812 as equalizing deck, e.g. for birdcage scaffolding	IND	6	0.73 x 0.19	5.1	50	3801.073 
			6	1.09 x 0.19	6.4	50	3801.109 
			6	1.57 x 0.19	8.5	50	3801.157
			6	2.07 x 0.19	10.2	50	3801.207
			5	2.57 x 0.19	13.2	50	3801.257
			4	3.07 x 0.19	15.3	50	3801.307
			4	U-Xtra-N deck, 0.61 m wide Aluminium stile section, glass-fibre-reinforced plastic plate extremely durable, lightweight, non-slip working surface	IND	3	0.73 x 0.61
3	1.09 x 0.61	9.5				60	3866.109
3	1.57 x 0.61	13.0				40	3866.157
3	2.07 x 0.61	16.2				40	3866.207
3	2.57 x 0.61	19.0				40	3866.257
3	3.07 x 0.61	23.5				40	3866.307
5	U-stalu deck T9, 0.61 m wide extremely lightweight aluminium deck with sturdy, riveted steel caps, stacking height only 54 mm	IND				6	0.73 x 0.61
			6	1.09 x 0.61	8.8	40	3867.109 
			6	1.57 x 0.61	11.7	40	3867.157
			5	2.07 x 0.61	14.8	40	3867.207
			5	2.57 x 0.61	17.9	40	3867.257
			4	3.07 x 0.61	21.0	40	3867.307
			6	U-stalu deck T9, 0.32 m wide constructed as 3867 as equalizing deck, e.g. for birdcage scaffolding	IND	6	1.57 x 0.32
6	2.07 x 0.32	9.2				30	3856.207 
5	2.57 x 0.32	11.0				30	3856.257 
4	3.07 x 0.32	13.3				30	3856.307 
7	U-stalu deck T9, 0.19 m wide constructed as 3867 as equalizing deck, e.g. for birdcage scaffolding					6	1.57 x 0.19
			6	2.07 x 0.19	7.2	50	3857.207
			5	2.57 x 0.19	8.7	50	3857.257
			4	3.07 x 0.19	10.2	50	3857.307
			8	U-alu deck, perforated, 0.32 m wide Deck and caps of aluminium with robust steel claws perforated, non-slip working surface		6	1.57 x 0.32
5	2.07 x 0.32	8.0				60	3803.207 
4	2.57 x 0.32	10.0				60	3803.257 
3	3.07 x 0.32	11.5				60	3803.307 
9	U-robust deck, 0.61 m wide Aluminium stile section, plywood panel BFU 100G phenolic resin coating and rot protection; lightweight, non-slip, easily stackable	IND				3	0.73 x 0.61
			3	1.09 x 0.61	9.7	60	3835.109 
			3	1.57 x 0.61	13.1	40	3835.157
			3	2.07 x 0.61	16.4	40	3835.207
			3	2.57 x 0.61	19.3	40	3835.257
			3	3.07 x 0.61	24.2	40	3835.307
			10	U-robust deck, 0.32 m wide constructed as 3835 as equalizing deck, e.g. for birdcage scaffolding	IND	6	1.57 x 0.32
5	2.07 x 0.32	11.5				30	3836.207 
4	2.57 x 0.32	14.7				30	3836.257 
3	3.07 x 0.32	16.0				30	3836.307 

WS = wrench size PU = packaging unit  = available ex works  = delivery time on request  = only available in this packaging unit  = the approval process is not yet completed

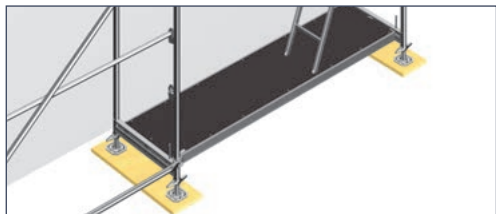
IND = Layher Individual possible – see page 7

Access decks, steel planks, gap decks

Internal scaffolding access

Our hatch-type access decks conform to the requirements of DIN EN 12811, with a separate or an integrated storey ladder for internal access.

A deck must be fitted using **U-start ledgers** (see page 26) or **SpeedyScaf transoms** (see page 30) as the erection surface for the lowest ladders.



External scaffolding access

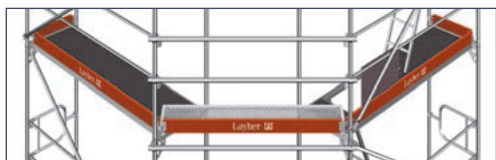
Aluminium landing-type stairways with guardrails for convenient external access allowing the transportation of materials (see page 26).

Corner deck, adjustable 6

In the case of adjoining frame bays in 0.73 m wide scaffolding, the corners are covered with corner decks. System-conforming covers are therefore no longer a problem and you have a continuous deck surface with no risks of tripping or stumbling.

Hatch-type access with offset hatch 8/9

The offset hatch can be opened and closed even when bridging decks are placed on top.



The **steel plank 11** is a safe bridging element capable of bearing high loads for all scaffolding systems. It is preferred to wooden planks for use in areas with stringent fire protection requirements.

- ▶ Long service life, reusable
- ▶ Lower weight compared with wood plank
- ▶ Non-slip and non-inflammable
- ▶ If at least 2 steel planks are adjacent to one another, they may also be used in brick guards

The support length must be at least 10 cm at every support.

For scaffolding decks of wood, please see our catalogue System-free Accessories.

Secure the planks with locking pins, 2 self securing steel bolts or 1 securing screw for each end.



For closing of system-caused gaps, **gap covers 10** or the **telescopic gap deck 14** can be used.

Layher

More Possibilities. The Scaffolding System.

Access decks, steel planks, gap decks

1

2

3

4

5

6

7a/b

8

9

10

11

12

13a/b

14

Further information here:
qrsicherungsschrauben.layher.com

Further information here: qrsben.layher.com

Pos.	Description	Use up to load class	Dimensions L/H x W [m]	Weight approx. [kg]	PU [pcs.]	Ref. No.
1	U-Xtra-N deck, 0.61 m wide, with integrated access ladder Deck surface of glass-fibre-reinforced plastic, aluminium access hatch	IND 3	2.57 x 0.61	25.4	40	3869.257
		3	3.07 x 0.61	29.5	40	3869.307
2	U-aluminium hatch-type access deck, 0.61 m wide, with integrated access ladder easy access with aluminium deck surface and aluminium access hatch	IND 3	2.57 x 0.61	24.0	40	3852.257
		3	3.07 x 0.61	28.0	40	3852.307
3	U-robust hatch-type access deck, 0.61 m wide, with integrated access ladder	IND 3	2.57 x 0.61	24.0	40	3838.257
		3	3.07 x 0.61	27.4	40	3838.307
4	U-aluminium access deck, 0.61 m wide easy access with aluminium deck surface and aluminium access hatch	IND 3	1.57 x 0.61	15.1	40	3851.157
		3	2.07 x 0.61	17.0	40	3851.207
		3	2.57 x 0.61	20.0	40	3851.257
		3	3.07 x 0.61	24.5	40	3851.307
5	U-hatch-type steel access deck, 0.64 m wide aluminium access hatch	4	2.07 x 0.64	28.9	30	3813.207
		4	2.57 x 0.64	38.0	30	3813.257
6	Corner deck, adjustable for angles from 45° – 90°, with toe board in steel	3	0.61	21.5	50	3819.000
7a	Access ladder T15, steel, 7 rungs for Allround Scaffolding System and SpeedyScaf System		2.15 x 0.35	7.8	70	4008.007
7b	Access ladder, steel, 7 rungs for SpeedyScaf System		2.15 x 0.35	7.8	70	4005.007
8	U-robust hatch-type access, 0.61 m, hatch offset without ladder. For use with 4005.007	IND 3	1.57 x 0.61	14.2	40	3858.157
		3	2.07 x 0.61	17.2	40	3858.207
9	U-robust hatch-type access, 0.61 m, hatch offset, with integrated access ladder	3	2.57 x 0.61	25.2	40	3859.257
		IND 3	3.07 x 0.61	28.4	40	3859.307
10	Steel-gap cover, 0.32 m wide Construction height only 10 mm Use up to load class 6 with maximum gap widths of 20 cm	6	0.73 x 0.32	2.6	150	3881.000
		6	1.09 x 0.32	4.0	150	3881.001
		6	1.57 x 0.32	6.0	100	3881.002
		6	2.07 x 0.32	8.0	100	3881.003
		6	2.57 x 0.32	10.0	100	3881.004
		6	3.07 x 0.32	10.7	100	3881.005
11	Steel plank, 0.30 m system-free, completely made of hot-dip galvanized steel	6	1.00 x 0.30	6.5	60	3880.100
		6	1.50 x 0.30	10.3	60	3880.150
		5	2.00 x 0.30	12.8	60	3880.200
		3	2.50 x 0.30	15.3	60	3880.250
	Steel plank, 0.20 m constructed as 3880	6	1.00 x 0.20	4.8	100	3878.100
		6	1.50 x 0.20	7.2	100	3878.150
		5	2.00 x 0.20	9.5	100	3878.200
		3	2.50 x 0.20	11.8	100	3878.250
12	Locking pin, plastic, dia. 11 mm		0.08	0.1	100	3800.006
13a	Securing screw, long (red), steel hot-dip galvanized For securing of steel planks on steel decks	19 WS	0.08 x 0.03	4.0	50	3800.009
		22 WS	0.08 x 0.03	3.9	50	3800.010
13b	Securing screw, short (blue), steel hot-dip galvanized For securing of steel gap covers on steel decks	19 WS	0.04 x 0.02	2.3	50	3800.011
		22 WS	0.04 x 0.02	2.3	50	3800.012
14	Telescopic U-gap deck closes gaps between 40 and 255 mm	6	0.73	5.2	40	3881.073
		6	1.09	7.8	40	3881.109
		6	1.40	10.1	40	3881.140
		6	1.57	11.4	40	3881.157
		6	2.07	14.9	40	3881.207
		5	2.57	18.6	40	3881.257
		4	3.07	22.3	40	3881.307

WS = wrench size PU = packaging unit = available ex works = delivery time on request = only available in this packaging unit = the approval process is not yet completed

IND = Layher Individual possible – see page 7

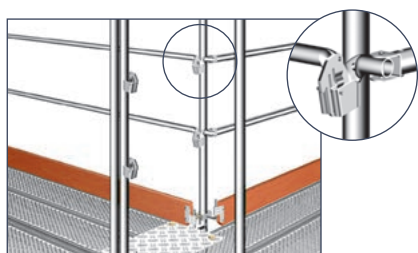
Side protection

You can choose between **single 1** and **double guardrails 2/3** in steel or double guardrails in aluminium. All guardrails are dropped into the guardrail wedge housings of the assembly frames and engaged on the wedge with a hammer blow to provide a positive and stable connection.

The **end guardrails 4/5** are wedged to the vertical tube with the half-coupler.

The **double end guardrails 6/7** are wedged to the guardrail boxes.

The **adjustable guardrail 8** is suitable for inner and outer corners and for non-system bays. A pivoted guardrail connecting lug is provided.



Internal guardrail fixing device 9

Quick fixing of internal guardrails (also on older assembly frames) by wedging the U-profile to the assembly frame standard.



Guardrail box for Euro frame 10

Speedy fitting of internal guardrails to the Euro assembly frame. Guardrail boxes are attached simply by inserting and then turning them.

Guardrail coupler 11

For connecting guardrails outside the standard dimensions, and also for fitting wall-side guardrails to older assembly frames.

Side protection

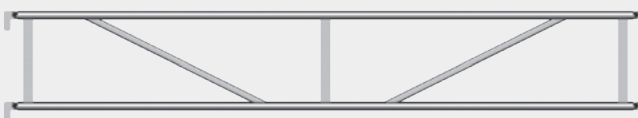
1



2



3



4



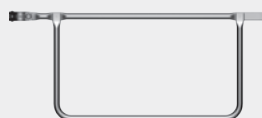
5



6



7



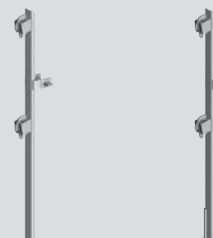
8



9









10



11



Pos.	Description		Dimensions L/H x W [m]	Weight approx. [kg]	PU [pcs.]	Ref. No.
1	Single guardrail steel		0.73	1.6	50	1724.073
			1.09	2.0	50	1724.109
			1.57	2.9	140	1725.157
			2.07	3.8	140	1725.207
			2.57	4.7	140	1725.257
			3.07	5.6	140	1725.307
2	Double guardrail steel		1.57 x 0.50	7.9	70	1728.157
			2.07 x 0.50	10.5	70	1728.207
			2.57 x 0.50	12.4	70	1728.257
			3.07 x 0.50	14.1	70	1728.307
			4.14 x 0.50	21.0	70	1728.414 
3	Double guardrail aluminium		1.57 x 0.50	3.5	50	1732.157
			2.07 x 0.50	4.6	50	1732.207
			2.57 x 0.50	5.8	50	1732.257
			3.07 x 0.50	6.7	50	1732.307
4	Single end guardrail, 0.73 m		0.73	2.2	200	1725.073
5	Single end guardrail, 1.09 m		1.09	3.5	250	1725.109 
6	Double end guardrail, 0.73 m	19 WS	0.73	4.4	100	1728.719
		22 WS	0.73	4.4	100	1728.722
7	Double end guardrail, 1.09 m	19 WS	1.09	5.6	120	1728.119
		22 WS	1.09	5.6	120	1728.122
8	Guardrail, adjustable  Adjustment range 1.57 m – 2.57 m			6.9	50	1726.000
9	Guardrail box for Euro frame			0.5	450	1735.100
10	Speedy Internal guardrail fixing device without toe board pin 		1.00	3.1	160	1716.300
	Speedy Internal guardrail fixing device with toe board pin 		1.00	3.3	160	1716.301 
11	Guardrail coupler with box			1.3	25	1735.000

WS = wrench size PU = packaging unit  = available ex works  = delivery time on request  = only available in this packaging unit  = the approval process is not yet completed

 = Layher Individual possible – see page 7

Side protection

Toe boards 1/2

Easy fitting into the toe board pins, for complete three-part side protection. Wood, reddish-brown in colour.

Individual toe boards

The toe boards can be individually designed in printing and painting.



Half-coupler with toe board pin 3

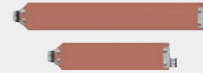
Toe board connection to inner corners and SpeedyScaf rolling towers, for example.

Side protection

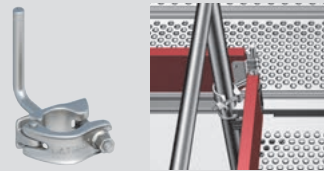
1



2



3



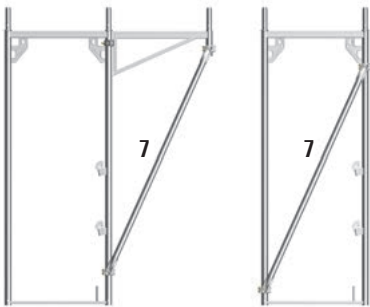
Diagonal bracing

Diagonal braces 4

for vertically bracing the scaffolding parallel and vertical to the façade, tube diametre 42.4 mm.

Diagonal guidance for regular assembly is specified in the approval notification. The diagonal braces are inserted into the corner plate at the top end of the assembly frame. Wedged to the lower diagonal point with the approved wedge half-coupler, they provide an absolutely positive and stable bracing with easy correctability during assembly.

The horizontal strut must be installed in the foot area of the diagonal bay.



Diagonal bracing

4



5



6




7




When the cover of the wedge half-coupler is directly underneath the hole marking, the scaffolding bay is vertically aligned.

Layher 

More Possibilities. The Scaffolding System.

Pos.	Description		Dimensions L/H x W [m]	Weight approx. [kg]	PU [pcs.]	Ref. No.
1	Toe board for longitudinal side	IND	0.73 x 0.15	1.6	140	1756.073
			1.09 x 0.15	2.4	140	1756.109
			1.57 x 0.15	3.1	140	1757.157
			2.07 x 0.15	4.7	140	1757.207
			2.57 x 0.15	5.6	140	1757.257
			3.07 x 0.15	6.8	140	1757.307
			4.14 x 0.15	10.3	140	1757.414
2	End toe board for end side	IND	0.73 x 0.15	1.8	250	1757.073
			1.09 x 0.15	2.3	140	1757.109 
3	Half-coupler with toe board pin	19 WS		1.0	25	4708.019
		22 WS		1.0	25	4708.022

Pos.	Description		Dimensions L/H x W [m]	Weight approx. [kg]	PU [pcs.]	Ref. No.
4	Diagonal brace with wedge half-coupler for 2.07 m bay length, 2.00 m bay height for 2.57 m bay length, 2.00 m bay height for 3.07 m bay length, 2.00 m bay height for 2.57 m bay length, 1.50 m bay height		2.80	7.0	50	1736.207
			3.20	7.8	50	1736.257
			3.60	8.3	50	1736.307
			2.97	7.3	50	1737.257 
5	Diagonal brace with 2 half-couplers for 1.57 m bay length, 2.00 m bay height	19 WS	2.20	6.5	50	1736.157
6	Base ledger with 2 wedge half-couplers for 2.07 m bay length for 2.57 m bay length for 3.07 m bay length		2.07	6.9	50	1727.207
			2.57	8.6	50	1727.257
			3.07	10.4	50	1727.307
7	Section brace with 2 half-couplers for supporting the bracket 0.73 m and in assembly frame 0.73 m	19 WS	1.80	6.0	50	1740.177
		22 WS	1.80	6.0	50	1741.177
	for supporting the bracket 1.09 m and in assembly frame 1.09 m	19 WS	1.95	6.4	50	1740.195
		22 WS	1.95	6.4	50	1741.195

WS = wrench size PU = packaging unit  = available ex works  = delivery time on request  = only available in this packaging unit  = the approval process is not yet completed

IND = Layher Individual possible – see page 7

Brackets

SpeedyScaf can be quickly widened inwards or outwards: the **console brackets** are secured with the welded-on half-coupler in the corner plate of the assembly frame to form a deck level with the main scaffolding.

The **plug-in console bracket 0.22 m 4** and **0.36 m 5** is used for quick modifications while building construction, when external thermal insulation compound systems will be fitted to the façade. Thus the required maximum distance between scaffolding and façade is ensured any time, without using internal guardrails. It is only fitted into the locking pin hole. There's no need for alignment or screwing. The plug-in console bracket cannot be used in combination with roof guard supports.

The **console bracket, 0.50 m 6** is used to lengthen or shorten scaffolding bays. When used for widening on the 0.73 m assembly frame, two **decks, 0.61 m** can be installed without gaps.

The **console bracket, 0.73 m 7** may only be installed with a bracket support (**section brace 12**).

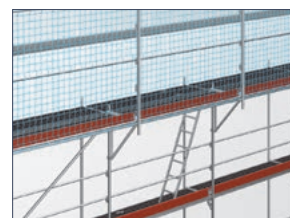
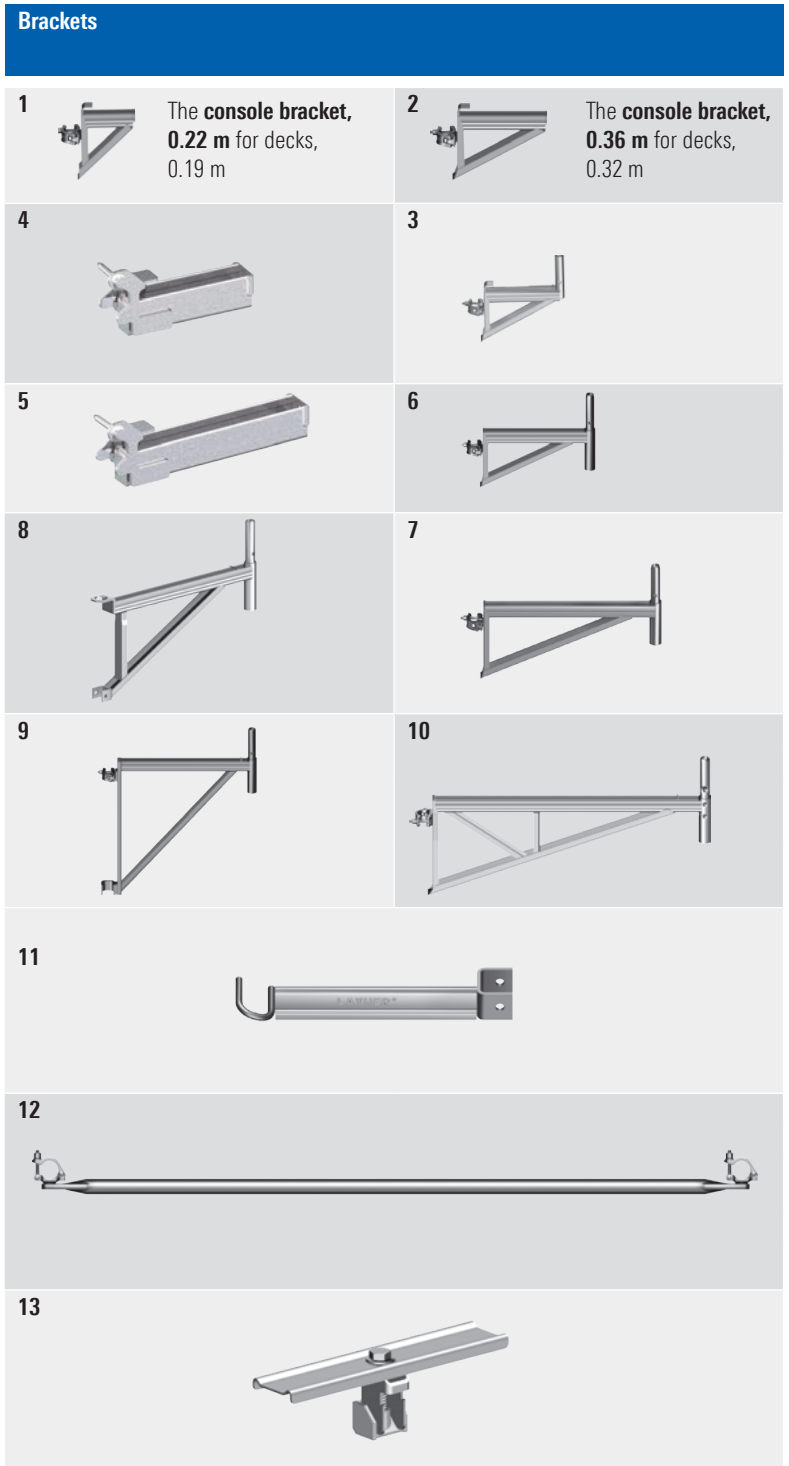
The **console bracket, 0.73 m, swivelling 8** is placed on the spigot of the assembly frame and can be swung clear after removal of the deck. A further advantage is its use for corner solutions, since a 0.73 m bracket can be fitted at the same height. It may also only be used with a bracket support.

The **console bracket, 0.73 m, reinforced 9** can be used in SpeedyScaf 70 in steel up to 3.07 m bay length (up to load class 3) and in brick guards. In this case, it is possible to dispense with the bracket support with SpeedyScaf 70 in steel. The advantages of the **console bracket, 0.73 m, reinforced 9**:

- ▶ No need for section brace
- ▶ Less material needed
- ▶ Lower overall costs
- ▶ Coupler connection to frame possible at bracket level







The **console bracket, 1.09 m 10** may only be installed with a bracket support (**section brace 12**).

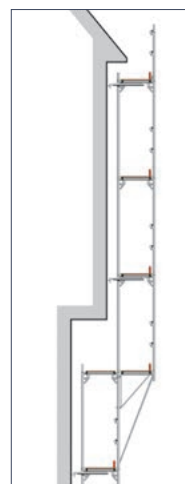
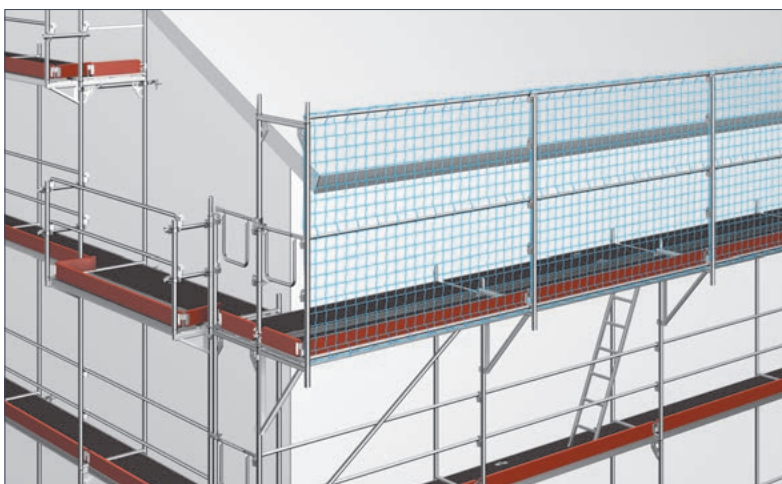
Bracket decks too must be secured against inadvertent lifting off, therefore either the single guardrail support or the **lock against lift-off 11** is essential. The lift-off preventer is secured by means of locking pins.



Layher® 

More Possibilities. The Scaffolding System.

Pos.	Description		Dimensions L/H x W [m]	Weight approx. [kg]	PU [pcs.]	Ref. No.
1	Console bracket, 0.22 m without spigot with integrated lift-off preventer	19 WS	0.22	2.8	100	1744.019
		22 WS	0.22	2.8	100	1744.022
2	Console bracket, 0.36 m without spigot with integrated lift-off preventer	19 WS	0.36	3.3	125	1743.319
		22 WS	0.36	3.3	125	1743.322
3	Console bracket, 0.36 m with integrated lift-off preventer	19 WS	0.36	3.5	125	1745.319
		22 WS	0.36	3.5	125	1745.322
4	Plug-in console bracket, 0.22 m without spigot		0.22	1.3	250	1746.022
5	Plug-in console bracket, 0.36 m without spigot		0.36	1.6	250	1746.036
6	Console bracket, 0.50 m	19 WS	0.50	5.8	50	1744.519
		22 WS	0.50	5.8	130	1744.522
7	Console bracket, 0.73 m	19 WS	0.73	6.4	100	1744.719
		22 WS	0.73	6.4	100	1744.722
8	Console bracket, 0.73 m, swivelling		0.73	7.0	80	1744.073 
9	Console bracket, 0.73 m, reinforced	19 WS	0.73	8.8	40	1745.719
		22 WS	0.73	8.8	40	1745.722
10	Console bracket, 1.09 m	19 WS	1.09	9.6	30	1745.119
		22 WS	1.09	9.6	30	1745.122
11	Lock against lift-off for bracket 0.36 m wide for bracket 0.50 m wide for bracket 0.73 m wide for bracket 1.09 m wide		0.36	0.9	250	1743.036 
			0.50	1.3	250	1743.050 
			0.73	1.5	250	1743.073
			1.09	2.3	50	1743.109 
12	Section brace with 2 half-couplers for supporting the bracket 0.73 m	19 WS	1.80	6.0	50	1740.177
		22 WS	1.80	6.0	50	1741.177
	for supporting the bracket 1.09 m	19 WS	1.90	6.4	50	1740.195
		22 WS	1.90	6.4	50	1741.195
13	Universal U-Lift-off preventer	19 WS		1.0	200	2635.000  



The maximum assembly height on brackets is dependent on the decks, bay lengths and assembly frames used. The appropriate structural strength specifications must be observed. Further information can be found in our SpeedyScaf Technical Brochure page 27.

WS = wrench size PU = packaging unit  = available ex works  = delivery time on request  = only available in this packaging unit  = the approval process is not yet completed


IND = Layher Individual possible – see page 7

Anchoring


The scaffolding must be anchored vertically to and parallel with the façade with resistance to both tensile and compressive stress. Layher offers speedy and safe solutions:

- ▶ **The SpeedyScaf wall tie 1**, which is fastened with a **double coupler** in the corner plate of the assembly frame and is supported with the fork plate on the channel section of the assembly frame.
- ▶ **The wall tie 2**, which is connected with two double or corner plate couplers to both upright tubes.
- ▶ **SpeedyScaf corner plate coupler 3**
For outside and inside brackets too, continuous anchoring directly on the corner plate of the **Euro assembly frame** is possible and ensures a greater height clearance.

The anchoring forces in accordance with the approval or individual verification of structural strength can vary widely. The loading capacity of the anchoring, in particular of the anchoring foundation, must be carefully checked and verified (see instructions for assembly and use).



For double couplers see page 34. For insert testing instrument see catalogue System-free Accessories.



The **ETICS-tie** is constructed for carrying high loads, parallel to the façade, in use together with external thermal insulation compound systems.



Allround ledger as wall tie with two corner plate couplers




Wall tie with two plate couplers

Layher 

More Possibilities. The Scaffolding System.

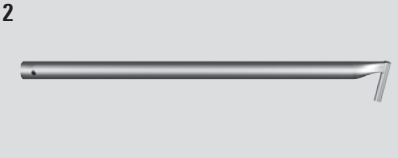
Anchoring

1




SpeedyScaf wall tie with double coupler

2




2 wall ties connected in a V-shape with one double coupler each to the inner standard.

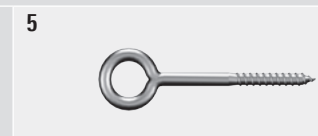
3



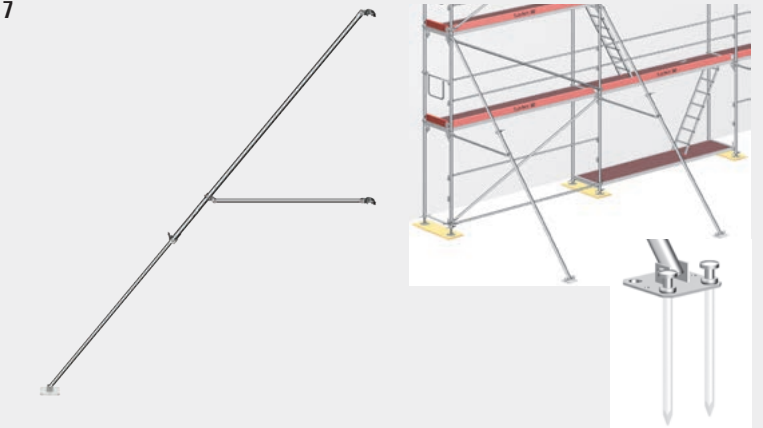
4



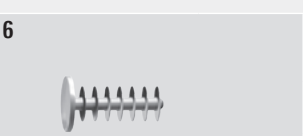
5




7




6



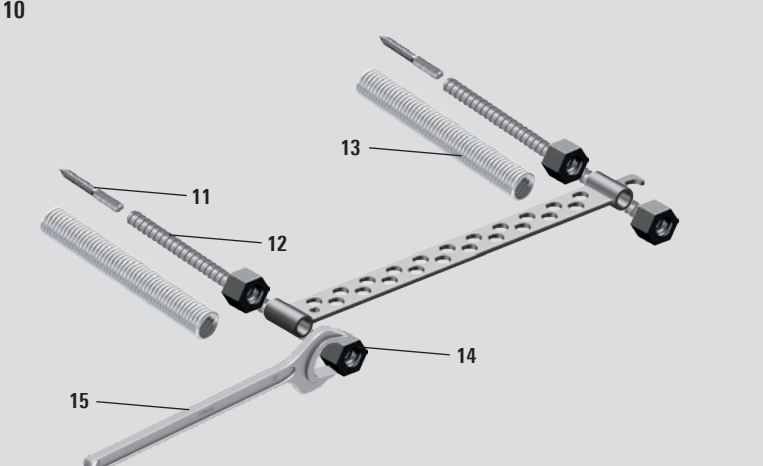
9



8



10



Pos.	Description	Dimensions L/H x W [m]	Weight approx. [kg]	PU [pcs.]	Ref. No.
1	SpeedyScaf wall tie	0.69	2.8	100	1755.069
2	Wall tie	0.38	1.6	250	1754.038
		0.95	3.7	50	1754.095
		1.45	5.7	50	1754.145
		1.75	5.8	50	1754.175
3	Gusset coupler	19 WS	0.9	25	1735.019
4	Plastic wall insert, plastic drilled hole dia. 14 mm	70 mm	0.3	25	4008.071
		100 mm	0.3	25	4008.101
		135 mm	0.3	25	4008.136
5	Ring screw, steel, galvanized, dia. 12 mm, for expanding plug	95 mm	1.6	10	4009.096
		120 mm	1.8	10	4009.121
		190 mm	2.5	10	4009.191
		230 mm	3.0	10	4009.231
		300 mm	3.5	10	4009.301
		350 mm	5.0	10	4009.351
6	Cap, 12 mm, white, for expanding plug Ref. No. 4008	12 mm	1.0	100	4007.006
7	Telescopic stabilizer, steel, 3.30 – 6.00 m	3.30	28.4	20	4032.600
8	Peg solid, dia. 24 mm	470 mm	1.8		4032.100
9	Peg extraction device		8.0		4032.200
10	ETICS-tie 600 complete, up to approx. 200 mm insulation ETICS-tie 800 complete, up to approx. 300 mm insulation comprising items 11, 12 (2 x), 13 (2 x) and 15 (4 x)	0.68	5.5	120	4000.600
		0.88	6.9	120	4000.800
11	ETICS hanger bolt, M12 x 125	125 mm	2.0	25	4000.126
12	ETICS-tie rod 380, up to approx. 200 mm insulation ETICS-tie rod 480, up to approx. 300 mm insulation	0.38	10.0	10	4000.121
		0.48	13.0	10	4000.481
13	Plastic pipe, 50 m		5.0		4000.050
14	Lock nut, WS 36 x 30		4.0	20	2671.131
15	Open ended wrench, SW 36		0.5		2671.135

WS = wrench size PU = packaging unit = available ex works = delivery time on request = only available in this packaging unit = the approval process is not yet completed

= Layher Individual possible – see page 7

Standard brick guard, pedestrian protection, guardrail closure

Roofer's guard system

The heightened side protection specified for roofing work is swiftly assembled in SpeedyScaf scaffolding: at the top level, attach the **brick guard support 1** instead of a guardrail support, drop in two brick guards for each bay (locking element determines how they are installed), knock in wedges, insert toe boards and locking pins – done!

Euro assembly frames are used to close off roofer's guard system levels at the ends.

Side protection net 6/7

The nets are attached at the bottom (at scaffolding deck height) and at the top (2 m above the scaffolding deck) to a tube.

Without a quick strap fastener, the protection net is threaded with each loop of its mesh into the tubes. With quick strap fasteners, the protection net is attached to the tubes at every 750 mm. A toe board and a handrail are required in any event.

Protection net 10.00 x 2.00 m, specification: Mesh width 100 mm, blue, made of PPM 4.5 mm, knotless, as per DIN EN 1263-1, type U

Fan support 9

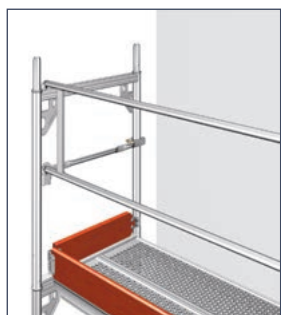
Protection against falling objects. The surfaces must be covered with system decks. Two decks 0.61 m wide are dropped in horizontally, and one deck 0.61 m and one deck 0.32 m at an angle.

Guardrail closure, top

Euro intermediate frames 10 with welded-on wedge housings secure the top work deck. Guardrails are dropped in and wedged as on the assembly frame.

The **Euro top end frames 11** for securing the scaffolding end sides are already provided using end guardrails. Only the toe board still has to be fitted.

Alternatively, it is possible to use 1.00 m high assembly frames with guardrail wedge housings on the end side. An end guardrail acting as a knee rail is also required here. For fastening reasons, only **double guardrails** can then be installed on the longitudinal side. One guardrail lug of the hand rail is inserted into the channel section of the assembly frame on the end side. The other three guardrail lugs are wedged as usual. Securing of the top scaffolding level with **locking pins** is recommended (see page 30).



Standard brick guard, pedestrian protection, guardrail closure

1

2

3

4

5

Two brick guards must be dropped into the brick guard support for each bay.

6

7

8

9

10

11

12

The Euro guardrail post is used for 0.36 m brackets. The guardrail is closed at the end sides with tubes and couplers. An end toe board must be fitted by the customer.

13

By using the **scaffolding lock**, you can secure your scaffolding against unauthorized alteration or dismantling. Use in topmost level instead of locking pins.

Pos.	Description		Dimensions L/H x W [m]	Weight approx. [kg]	PU [pcs.]	Ref. No.	
1	Brick guard support, 0.36/0.50/0.73 m (Use on Euro Speedy Frames 0.73 m and brackets 0.36 m, 0.50 m and 0.73 m)		2.00 x 0.73	12.1	20	1748.003	
2	Adapter for brick guard support for use with bay width of 1.09 m		0.68	2.3		1748.002	
3	Double-pin coupler SGS for brick guard support for combining the new and old variants	19 WS		0.9	25	4702.219	
		22 WS		0.9	25	4702.222	
4	Double-pin coupler SR for Euro Speedy Frames for use at end of bay	19 WS		0.9	25	4702.319	
		22 WS		0.9	25	4702.322	
5	SpeedyScaf roof guard		1.00 x 1.57	15.5		1749.157	
			1.00 x 2.07	17.7		1749.207	
			1.00 x 2.57	21.1	30	1749.257	
			1.00 x 3.07	24.4	30	1749.307	
6	Protection net without quick belt		10.00 x 2.00	4.5	100	6232.000	
7	Protection net with quick belt		10.00 x 2.00	5.9	50	6232.002	
8	Quick belt		0.50	1.5	50	6235.001	
9	Fan support		2.10	18.9	20	1773.019	
10	Euro intermediate frame, 0.73 m, steel		1.00 x 0.73	6.5	50	1719.073	
	Euro intermediate frame, 0.73 m, aluminium, without spigot		1.00 x 0.73	2.7	50	1769.073	
	Euro intermediate frame, 1.09 m, steel		1.00 x 1.09	8.5	50	1719.109	
11	Euro intermediate frame, 0.73 m, steel		1.00 x 0.73	13.3	50	1722.073	
	Euro intermediate frame, 0.73 m, aluminium, without spigot		1.00 x 0.73	4.6	25	1770.073	
	Euro top end frame, 1.09 m, steel		1.00 x 1.09	14.9	50	1722.109	
12	Euro guardrail post, single, with guardrail wedge head housing, for bracket 0.36 m wide in steel		1.00	5.5	100	1716.000	
	in aluminium		1.00	2.4	100	1768.000	
13	Scaffolding lock basic set, 20 locks, 2 keys and code card			4.20	20	4000.004	
	basic set, 50 locks, 4 keys and code card			10.50	50	4000.005	
	Expansion set with same locking as basic set, 20 locks			4.20	20	4000.006	
	Expansion set with same locking as basic set, 50 locks			10.50	50	4000.007	

WS = wrench size PU = packaging unit = available ex works = delivery time on request = only available in this packaging unit = the approval process is not yet completed

= Layher Individual possible – see page 7

Stairway access

Scaffolding access, outside

The **Aluminium platform stairs 2** offers increased safety, convenience and speed when ascending the tower. Material transport is facilitated by the additional use of the work decks as allround walkways. The external landing-type stairway is covered by the approval in its regular version (up to 24 m).

The platform stairway tower will be connected to the work scaffolding using the **U-distance coupler 6**. The 0.19 m wide "gap-deck" bears in the U-profile of the coupler. Alternatively the stairway tower can be connected directly to work scaffolding. The gap will be closed using the **telescopic gap deck** (see page 14).

Starter U-transom for 4:

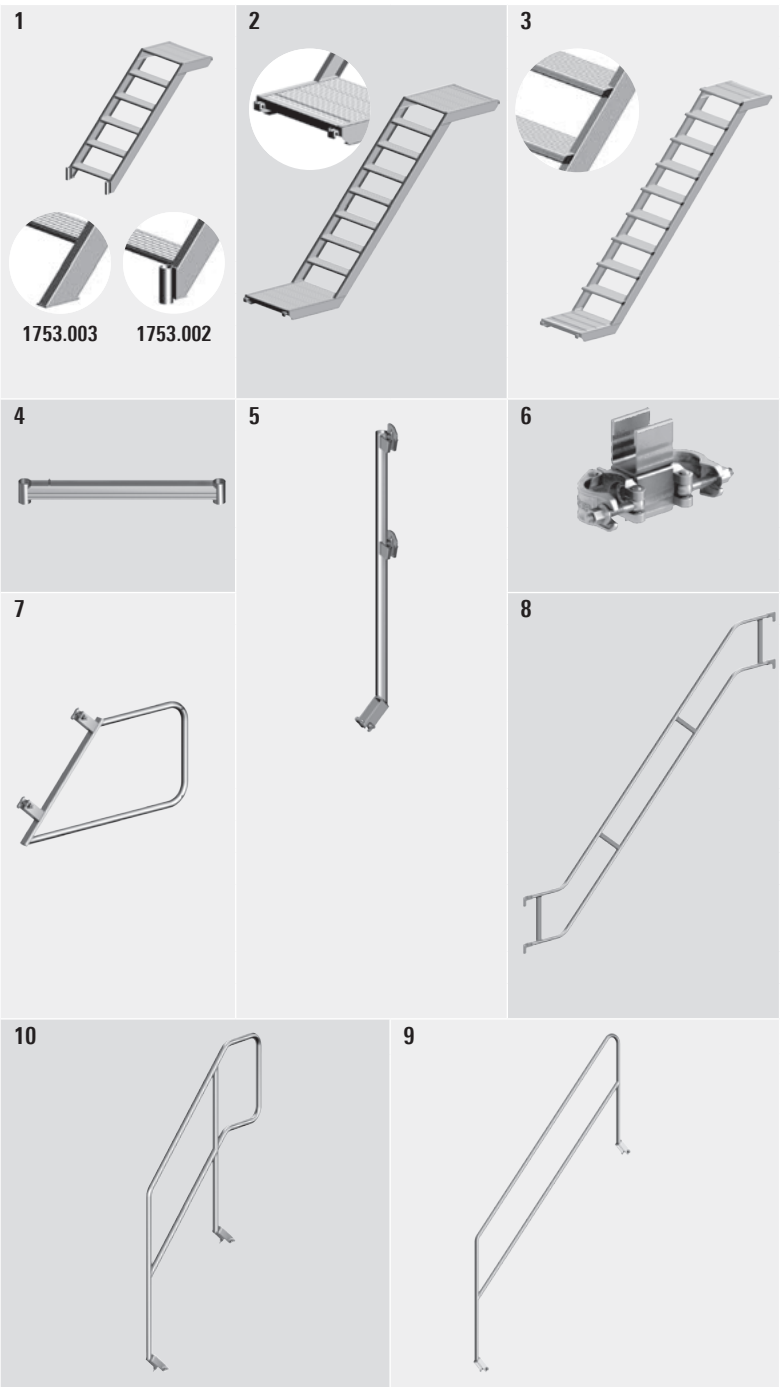
- ▶ Scaffolding access with platform stairs, at the entrance for dropping into the stairway;
- ▶ Ladder access to the 0.73 m wide scaffolding, accommodates at the lowest level of an access bay the deck that may be required for setting up the ladder.

The **Comfort stairway 3** bases on the platform stairway and has reinforced stringers and step sections. The 175 mm wide grooved steps guarantee more comfort when ascending the stairs, especially for high stairway heights. Guardrails, internal guardrails and stairwell guardrail can be used from the platform stairway.

Outer landing-type stairway access (stairs in identical direction)



Stairway access

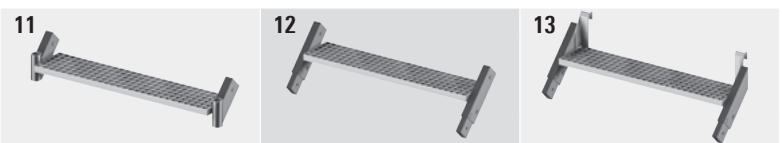


Modular stairway

With the **modular stairway**, accesses that always fit and that match the system can be constructed. Any intermediate dimension can be achieved simply by fitting together the individual stairway parts. The stairway rises 20 cm from step to step, and the bottom element with spindles is used for precise levelling. A wide variety of applications thanks to modular design. Little space needed for transport and assembly.



Modular stairway



Height differences from 0.60 m to 1.60 m can be bridged. Load-bearing capacity: 3.0 kN/m². Design: steel, hot-dip galvanized. Connection of elements with bolt, dia. 12 x 55 mm and safety clip 2.8 mm (2 per joint). They are already included in the scope of delivery.

Layher 

More Possibilities. The Scaffolding System.

Pos.	Description		Dimensions L/H x W [m]	Weight approx. [kg]	PU [pcs.]	Ref. No.
1	U-starting stairway, 0.64 m wide, aluminium 1.00 m high, Load-bearing cap. 2.5 kN/m ² ; Step height 0.20 m 1.20 m high, Load-bearing cap. 2.5 kN/m ² ; Step height 0.20 m		1.00 x 0.64	11.5	10	1753.003
			1.20 x 0.64	13.5	10	1753.002
2	U-platform stairway, 0.64 m wide, aluminium Load-bearing cap. 2.5 kN/m ² , Stair class A acc. to EN 12811-1 for 2.57 m bay length, Step height 0.20 m, 2.00 m high for 3.07 m bay length, Step height 0.20 m, 2.00 m high for 2.57 m bay length, Step height 0.20 m, 1.50 m high		2.57 x 0.64	21.9	10	1753.257
			3.07 x 0.64	26.3	10	1753.307
			2.57 x 0.64	21.5	10	1753.251
3	U-comfort stairway, 0.64 m wide, aluminium Load-bearing cap. 2.5 kN/m ² , Stair class B acc. to EN 12811-1 for 2.57 m bay length, Step height 0.22 m, 2.00 m high for 3.07 m bay length, Step height 0.22 m, 2.00 m high		2.57 x 0.64	27.0	10	1755.257
			3.07 x 0.64	32.0	10	1755.307
4	Starter U-transom		0.73	3.8	42	1751.073
			1.09	5.1	42	1751.109
5	Stairway-guardrail post for stairwell at the top level	19 WS	1.10	5.1	50	1752.006
6	U-distance coupler for connecting stairway tower to the work scaffolding	19 WS		2.0	250	1752.019
		22 WS		2.0	250	1752.022
7	Stairwell guardrail	19 WS		6.2	40	1752.004
		22 WS		6.2	40	1752.014
8	Stair guardrail for 2.57 m bay length, 2.00 m bay height for 3.07 m bay length, 2.00 m bay height for 2.57 m bay length, 1.50 m bay height		2.57 x 2.00	16.1	70	1752.257
			3.07 x 2.00	17.6	70	1752.307
			2.57 x 1.50	14.6	70	1752.003
9	Internal guardrail T12 for 2.57 x 2.00 m bay and 3.07 x 2.00 m bay for 2.57 x 2.00 m bay and 3.07 x 2.00 m bay for 2.57 x 1.50 m bay Mandatory for opposite-direction stairways	19 WS	2.00	13.5	20	1752.007
		22 WS	2.00	13.5	20	1752.008
		19 WS	1.50	11.5	20	1752.012
	Internal guardrail for U-starting stairway	19 WS	1.00	7.8	20	1752.011
	Initial stairway guardrail	19 WS	0.90 x 1.70 m	9.9	20	1752.009

The stairway tower 500 is intended for temporary stairway structures with higher live loads. It is preferably used as a construction stairway tower, e.g. for access to the site or as a road crossing not open to the public during construction work, and furthermore at buildings as an additional escape stairway tower. Under certain circumstances, the stairway tower 500 can also be used for public access during construction work or as a mandatory escape stairway tower.

U-stairway stringer 500:

▶ Permissible load-bearing capacity 5.0 kN/m²
for a stair flight width of 2.07 m

▶ Stairway dimensions: Riser s = 20.0 cm
Tread a = 27.5 cm
Undercut u = 4.5 cm



These and further stairway solutions you'll find in the catalogue Allround Scaffolding.

Pos.	Description		Dimensions L/H x W [m]	Weight approx. [kg]	PU [pcs.]	Ref. No.
11	Stair foot section, 0.60 m Stair foot section, 0.95 m		0.60	6.8	15	2639.060
			0.95	7.8	50	2639.095
12	Stair middle section, 0.60 m Stair middle section, 0.95 m		0.60	9.2	15	2638.060
			0.95	10.2	50	2638.095
13	Stair head section, 0.60 m Stair head section, 0.95 m		0.60	10.7	15	2637.060
			0.95	11.7	50	2637.095

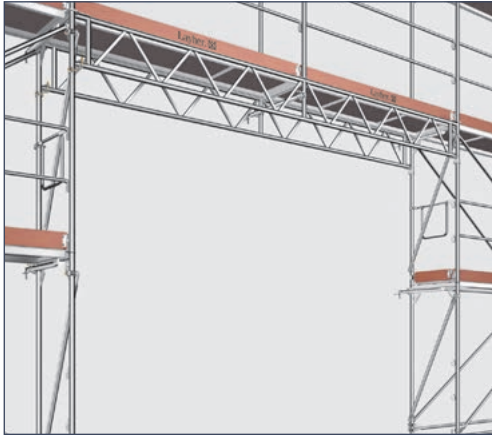
WS = wrench size PU = packaging unit = available ex works = delivery time on request = only available in this packaging unit = the approval process is not yet completed

= Layher Individual possible – see page 7

System lattice beam

SpeedyScaf lattice beam LW 1

The top chord with engagement lugs at both ends and spigots for further construction in the standard dimension is dropped into the spigots of the assembly frame, while the bottom chord must be connected with **lattice beam couplers 2** to the upright tube. The use of the SpeedyScaf lattice beams is governed by the approval notification, which must be complied with. If the aluminium SpeedyScaf lattice beam is used, bear in mind the reduced load-bearing capacities! For bridging of up to 4.14 m distances with steel or aluminium decks in the standard SpeedyScaf assembly.



Example: SpeedyScaf lattice beam 5.14 m, covered scaffolding (special diagonal guidance)

Further lattice beams you'll find in the catalogue System-free Accessories.

System lattice beam

1

2

3a/b

Use of the lattice beam coupler

4

When placed on non-system lattice beams for bridging, it is also possible to continue construction in the standard system dimensions with 0.73 m wide assembly frames.

5

6

7

8

9

10

11

Assembly frames for special applications

The **gantry frame LW 6** for safe protection of pedestrians underneath the scaffolding, by rebolting the central spigot for 0.73 m or 1.09 m scaffolding width.

The **Euro assembly frame, 2.00 m, for balustrade 8** is used where a roof projection projects into the scaffolding. Above it, a maximum of four further levels can be constructed using standard assembly frames.

The **Euro eaves bracket, 1.00 m 9** meets workplace requirements for painters, plasterers, plumbers and roofers. It obviates the need for structures requiring much time and material. The deck in the main scaffolding must be secured using the lift-off preventer Ref. No. 1743. The toe board can be suspended in the eaves bracket.

Assembly frames for special applications

8








9




10

11

Layher

More Possibilities. The Scaffolding System.

Pos.	Description	Dimensions L/H x W [m]	Weight approx. [kg]	PU [pcs.]	Ref. No.	
1	SpeedyScaf lattice beam LW , steel 7.71 m (3 x 2.57 m bay) 	7.71 x 0.45	67.2	20	1781.771 	
		SpeedyScaf lattice beam , aluminium 5.14 m (2 x 2.57 m bay)				
		6.14 x 0.45	26.4	50	1767.514 	
2	Lattice beam coupler for SpeedyScaf lattice beam	19 WS	1.6	25	4720.019	
		22 WS	1.6	25	4720.022	
3	U-ledger for lattice beam for accommodating scaffolding decks when bridging with SpeedyScaf lattice beams a) 0.73 m b) 1.09 m	0.73	3.1	42	4923.073	
		1.09	4.3	42	4923.109 	
		Intermediate transom for lattice beam, 0.73 m incl. 4 bolts, for lattice beams 4912 and 4922				
4	Steel lattice beam 450 LW , 45 cm high 2.25 m long 3.25 m long 4.25 m long 5.25 m long 6.25 m long 	2.25 x 0.45	21.8	40	4925.225 	
		3.25 x 0.45	30.9	40	4925.325	
		4.25 x 0.45	40.0	40	4925.425	
		5.32 x 0.45	49.5	40	4925.532	
		6.32 x 0.45	59.0	40	4925.632	
6	Unit beam spigot T16 , dia. 38 mm for straight extension of lattice beam Ref. Nos. 4912, 922, 4902, 4903, 4925	0.54	2.4	350	4925.000	
7	Special bolt M12 x 60 , with nut Required: 4 pcs. each		4.0	50 	4905.061	

Pos.	Description	Dimensions L/H x W [m]	Weight approx. [kg]	PU [pcs.]	Ref. No.
8	Gantry frame LW steel, hot-dip galvanized 	2.20 x 1.50	31.2	24	1779.150
9	Guardrail wedge housing cover Polypropylene		0.6	10 	1710.003 
10	Euro assembly frame, 2.00 m, for balustrade steel, hot-dip galvanized	2.00 x 0.73	22.7	25	1718.200
11	Euro eaves bracket, 1.00 m steel, hot-dip galvanized	1.00 x 0.73	14.8	50	1718.100

WS = wrench size PU = packaging unit  = available ex works  = delivery time on request  = only available in this packaging unit  = the approval process is not yet completed

IND = Layher Individual possible – see page 7

Accessories

The **SpeedyScaf transom 1** is used for constructing intermediate levels.

Many other parts for non-standard scaffolding applications are available on request.

For large roof overhangs, use the installation of **aluminium bridging ledgers 3**. **Spigots 4** on aluminium bridging ledgers hold the assembly frames above them and permit a 0.50 m or 1.00 m reduction of the bay width.




With the **reducer from 1.09 m to 0.73 m 5**, it is possible to reduce the scaffolding width from 1.09 m to 0.73 m. This can be necessary for example at great heights for structural reasons. This makes it possible to use assembly frames 70 on a substructure of meter-wide scaffolding.

The assembly frame joints are secured with **locking pins 6** in special cases against unintentional lifting off, for example when scaffolding units are moved with a crane, when brick guard supports are used or in particular wind conditions.


Castors 7

The mobile solution for birdcage, bridge or suspended scaffolding is often the best alternative in terms of technical suitability, scheduling and price. In this field too, the choice, the delivery capability and not least the experience of the manufacturer point to Layher. If scaffolding is made mobile using castors, DIN 4420-3 applies. For these rolling towers, verification of structural strength is required.

Robust **castors 7** with twin brake (it brakes wheel and slewing ring) for various loads, offer a safer mobility of the scaffolding – without high effort.



Further castors you'll find in the catalogue System-free Accessories.



Layher 

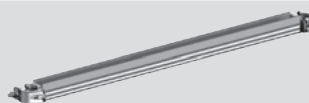
More Possibilities. The Scaffolding System.

Accessories

1



2



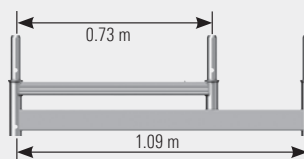
3



4



5



6



7

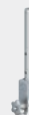








8



The telescopic device: width max. 3.20 m, min. 2.30 m. The mobile beam can be used for all scaffolding systems (rolling towers, frame, modular and other scaffolding, tube-and-coupler) with a tube diameter of 48.3 mm.

9



Pos.	Description	Dimensions L/H x W [m]	Weight approx. [kg]	PU [pcs.]	Ref. No.	
1	Intermediate transom, 0.73 m with half-coupler, for intermediate layers	19 WS	0.73	3.9	100	1742.719
		22 WS	0.73	4.0	100	1742.722
2	Intermediate transom, 1.09 m with half-coupler, for intermediate layers	19 WS	1.09	5.1	250	1742.119 
		22 WS	1.09	5.1	250	1742.122 
3	Aluminium bridging ledger, 2.57 m Aluminium bridging ledger, 3.07 m for mounting on spigot, for reduction of bay length.	2.57	8.5	90	1775.257 	
		3.07	9.7	90	1775.307 	
4	Spigot incl. 2 bolts for further construction on aluminium bridging ledger Ref. No. 1775	0.20	1.8	250	1775.000 	
5	Reducer from 1.09 m to 0.73 m with welded-on channel section	1.09	8.3	20	4027.000 	
6	Locking pin, red, dia. 11 mm		0.2	100	4000.001	
7	Castor 700 Plastic wheel, dia. 200 mm. With base plate, adjustment range 0.30 – 0.60 m, spindle nut with lock, castor with twinbrake lever and load centering when braked. Wheel and slewing ring can be locked. Permissible load: 7.0 kN	Ø 0.20	6.8	70	5218.201	
8	Mobile beam with bar, 3.20 m, adjustable Steel rectangular tube, hot-dip galvanized. For base widening in special rolling tower structures.	3.20	42.6	20	4106.032	
9	Spigot, adjustable Steel, hot-dip galvanized. For use with mobile beam Ref. No. 1338.320	0.46	2.1	200	4106.005	

WS = wrench size PU = packaging unit  = available ex works  = delivery time on request  = only available in this packaging unit  = the approval process is not yet completed



IND = Layher Individual possible – see page 7

Weather protection

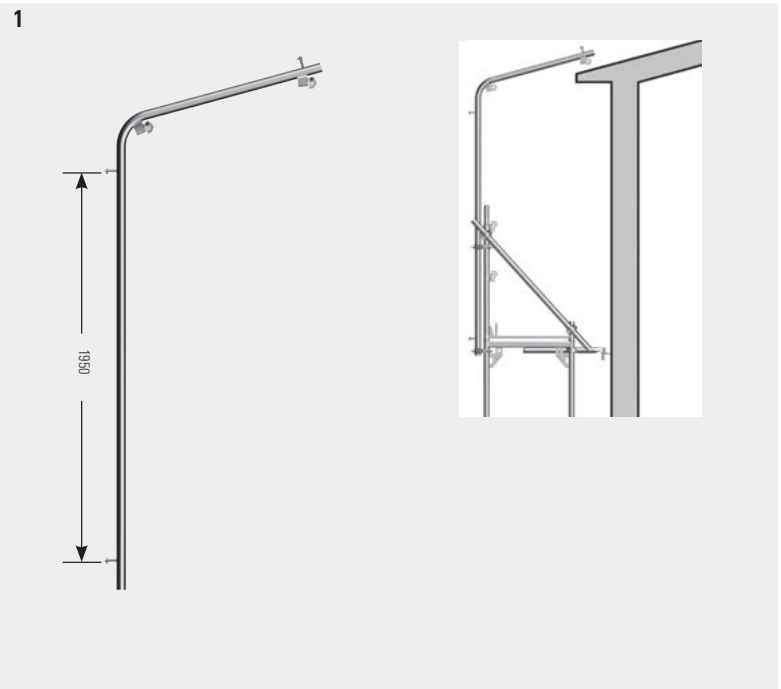
The **weather protection support 1** is used for tarpaulin coverings against exposure to the weather at the top level of SpeedyScaf structures.

At the top scaffolding level, all assembly frames to which the weather protection support is attached must be anchored to the building for resistance to tension and compression.

The weather protection support must be attached to the guardrail support and to the assembly frame using two swivel couplers, Ref. No. 4702, and additionally braced as shown in the sketch using a steel scaffolding tube (length = 1.50 m). On the outside, tilting pins are used for suspension of the tarpaulins, and at the top there are two guardrail wedge housings for bracing using guardrails.

 Further information you'll find in the catalogue System-free Accessories. 

Weather protection



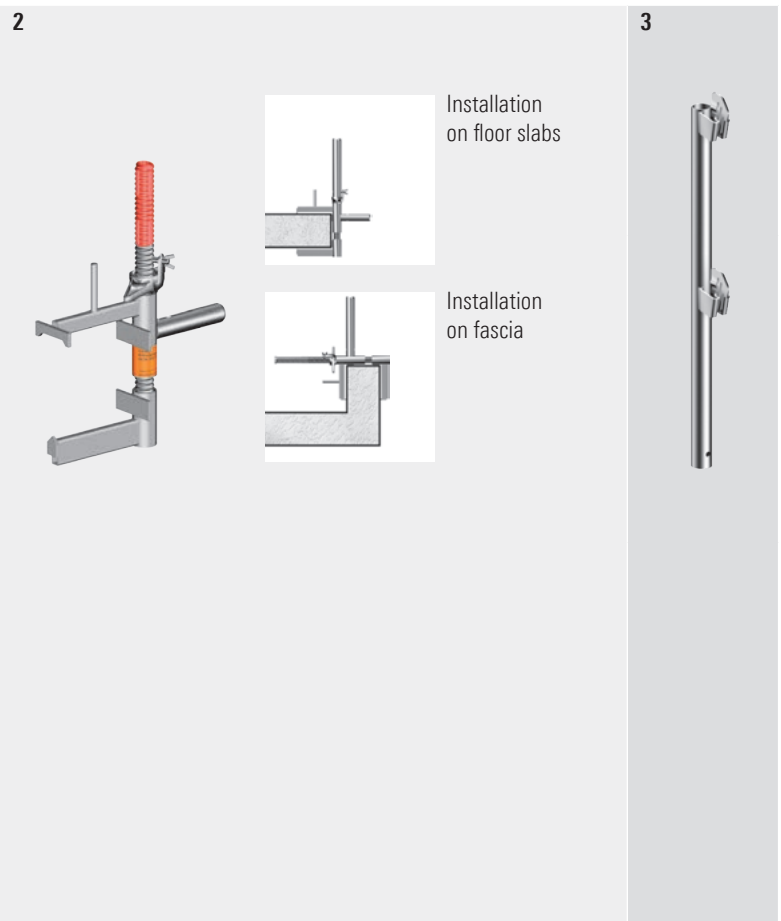
Railing clamp


Railing clamp 2



According to German regulations BGV C22 relating to construction work, a fall protection system must be provided for work areas and walkways on roofs and intermediate levels where the height of the fall is more than 2.00 m. The Layher railing clamp satisfies these requirements for securing concrete floor slabs or fascias of 16 – 33 cm in height and flat roofs.

The brick guard must be built in accordance with applicable regulations. The bay widths can be freely selected, max. 3.07 m long. The **guardrail standard 3** is attached to the railing clamp and receives the guardrail. When installing on floor slabs, toe boards must be provided; these can be omitted in installation on fascias.

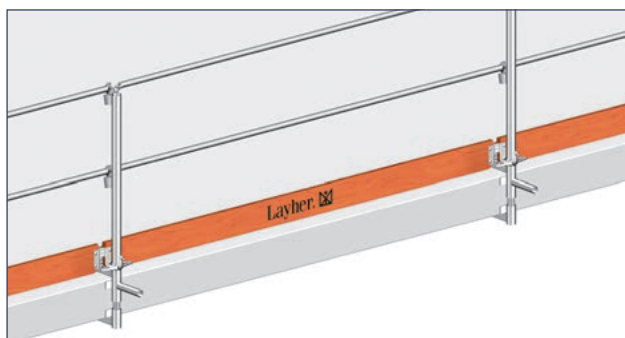
Railing clamp



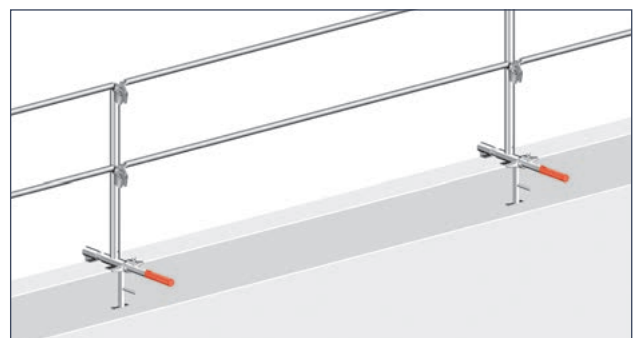
Pos.	Description	Dimensions L/H x W [m]	Weight approx. [kg]	PU [pcs.]	Ref. No.
1	Weather protection support On the outside, tilting pins for suspension of the tarpaulin, at the top there are two guardrail wedge housings for bracing using guardrails	2.00	13.2	100	1746.000 

Pos.	Description	Dimensions L/H x W [m]	Weight approx. [kg]	PU [pcs.]	Ref. No.
2	Railing clamp	0.58	7.0	50	4015.100 
3	Guardrail standard	0.88	4.7	50	4015.101 

Example for use of the railing clamp on floor slab:



Example for use of the railing clamp on fascia:




WS = wrench size PU = packaging unit  = available ex works  = delivery time on request  = only available in this packaging unit  = the approval process is not yet completed

IND = Layher Individual possible – see page 7


Accessories

Scaffolding couplers 1/2 connections, in steel, drop-forged; as per DIN EN 74 and general building authority approval from the DIBt (German Civil Engineering Institute). Tightening torque of collar nuts 50 Nm.

Standardised **scaffolding tubes 3** in steel (hot-dip galvanized) or aluminium permit, in conjunction with scaffolding couplers, special assembly and extension outside the regular version.



Further scaffolding couplers can be found in the catalogue for System-free Accessories.



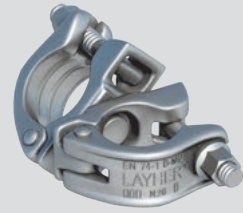
Accessories

1a/b



For right-angled connection of tubes with dia. 48.3 mm

2a/b



For connection at any angle of tubes with dia. 48.3 mm

3



Tools

Identification and prohibition signs for work scaffolding as per DIN EN 12811-1. Suitable **see-through pocket 9** made of transparent plastic for weather protection. The three-piece **scaffolding identification pad 6** with carbon copy developed to tag work scaffolding. The right part is the inspection record for your files. Your client gets the carbon. On the back side of the carbon, important application notes are listed.

Tools

4



5



7



6



8



also see
download.layher.com





9



Layher 

More Possibilities. The Scaffolding System.

Pos.	Description	Dimensions L/H x W [m]	Weight approx. [kg]	PU [pcs.]	Ref. No.	
1a	Double coupler Class BB, EN 74-1 RA BB C3 M quality-monitored, for use in class B and BB on steel and aluminium tube	19 WS		1.3	25	4700.019
		22 WS		1.3	25	4700.022
1b	Double coupler with coarse thread Description as Pos. 1a acc. to approval Z-8.331-947	19 WS		1.3	25	4777.019
		22 WS		1.3	25	4777.022
2a	Swivel coupler Class B, EN 74-1 SW B C3 M, quality-monitored, for use in class B on steel and aluminium tube	19 WS		1.4	25	4702.019
		22 WS		1.5	25	4702.022
2b	Swivel coupler with coarse thread Description as Pos. 2a acc. to approval Z-8.331-947	19 WS		1.5	25	4778.019
		22 WS		1.5	25	4778.022
3	Scaffolding tube , steel, hot-dip galvanized Scaffolding tubes dia. 48.3 x 4.0 mm, as per DIN EN 39	1.00		4.5	61	4600.100
		2.00		9.0	61	4600.200
		3.00		13.5	61	4600.300
		4.00		16.7	61	4600.400
		5.00		22.7	61	4600.500
		6.00		25.2	61	4600.600

Pos.	Description	Dimensions L/H x W [m]	Weight approx. [kg]	PU [pcs.]	Ref. No.	
4	Ratchet spanner with reinforced head	19 WS	0.32	0.7		4740.019
		22 WS	0.32	0.7		4740.022
5	Magnetic spirit level			0.4		4006.666
6	Scaffolding identification pad Pad with 50 + 50 pieces (Original + Carbon) with centre perforation and foldover as carbon-block	DIN A4		0.5		6344.500 
7	Scabbling pick, 600 g , with steel tube handle and rubber safety grip	0.32		0.9		4421.050 
8	Prohibition sign	0.18 x 0.14		0.2	20 	6344.201
9	See-through pocket for Ref. No. 6344.201 and 6344.500	0.24 x 0.16		0.1	10 	6344.001

WS = wrench size PU = packaging unit  = available ex works  = delivery time on request  = only available in this packaging unit  = the approval process is not yet completed

IND = Layher Individual possible – see page 7

Fall protection

According to German BGV C22 regulations, equipment to prevent falls by personnel must be provided for work areas and walkways where the height of the fall is more than 2.0 m.

The **PSA-safety harness AX 60 C 1** has impressive features:

- ▶ Comfortable, padded and ergonomic back support
- ▶ Convenient tool holders and click-locks for easy fastening
- ▶ High operational dependability and absolute freedom from maintenance, plus very simple fastening
- ▶ Operating errors are not possible, as the equipment operates in any position
- ▶ Excellent running even under gruelling working conditions
- ▶ Enormous distribution of forces in the event of a fall

Before use, visual checks must be performed regularly to ensure correct working order. In accordance with German BGR 198 regulations, all personal safety equipment must be inspected at least once a year by an expert. The maximum permissible period of use for the equipment must not be exceeded.

The **advance guardrail post 4/5**, the **advance telescopic guardrail 1.57/2.07 m**, the **advance telescopic guardrail 2.57/3.07 m** 6 and the **End-AGS 7** are used for temporary protection against falls during assembly of scaffolding parts on the uppermost, unsecured scaffolding level.

Extension lengths

Article	L min.	L max.
Assembly guardrail 1.57/2.07 m	1.57 m	2.90 m
Assembly guardrail 2.57/3.07 m	2.20 m	3.70 m

Scaffolding pallets

Tube pallets


in square shape (85) or in rectangular shape (125). The pallets are open on all sides. Tubes, standards, guardrails, diagonal braces, toe boards are transported and stored with this pallet. The empty pallets, stored permanently in the base frame using pallet posts, can be transported and stored in a space-saving way.

Tube pallet 125 11


The following can be transported, for example: 13 Frames, 0.73 m or 11 Robust decks 0.61 m or 15 Stalu decks 0.61 m or 24 Steel decks 0.32 m.

Modular pallet and skeleton box 13/14

The pallet or the skeleton box can be stacked with Euro pallets. Crane eyelets at top; an opening allows stacked material to be removed even if several pallets are stacked one above the other. The integrated timber base plate is 30 mm thick and it's nailed onto 50 x 50 mm square timbers.



More pallets you'll find in the catalogue System-free Accessories.



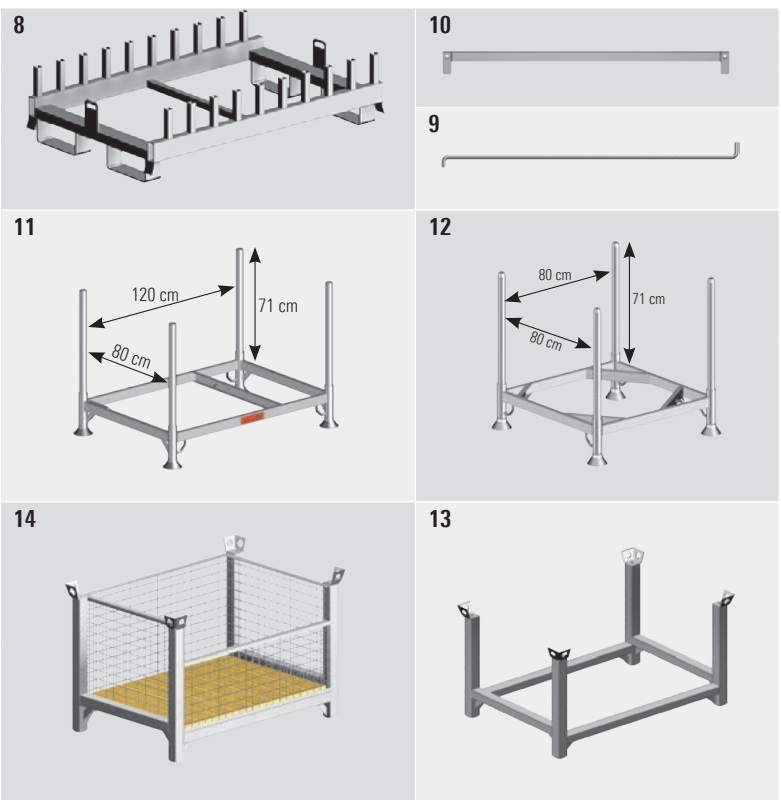
Layher 

More Possibilities. The Scaffolding System.

Fall protection



Scaffolding pallets



Pos.	Description	Dimensions L/H x W [m]	Weight approx. [kg]	PU [pcs.]	Ref. No.
1	PSA-safety harness AX 60 C with extension, 0.50 m conforms EN 361		1.8		5969.160
2	PSA-Flex safety rope, 2.00 m with fall arrester and snap hook FS 90; as per EN 354 / EN 355 self-shortening to reduce tripping hazards	2.00 m	1.1		5969.501
3	PSA scaffolding construction set Pos. 1 and 2 safety harness, safety rope 2.00 m, backpack (Use only in scaffolding construction)		3.5		5969.170
4	Advance guardrail post Aluminium for one advance guardrail (1.00 m high); rapid attachment of guardrails with tilting pins		4.2	50	4031.001
5	Advance guardrail post Aluminium for two advance guardrails (0.50 m and 1.00 m high); rapid attachment of guardrails with tilting pins		4.3	50	4031.002
6	Assembly guardrail, 1.57 / 2.07 m, Aluminium Assembly guardrail, 2.57 / 3.07 m, Aluminium	1.70	3.2	50	4031.207
		2.30	4.0	50	4031.307
7	Advance guardrail system (AGS) for scaffolding end Aluminium, single-part	2.20 x 0.70	9.8	6	4031.000

Pos.	Description	Dimensions L/H x W [m]	Weight approx. [kg]	PU [pcs.]	Ref. No.
8	Assembly frame pin pallet 0.73 m 1.09 m	1.20 x 0.77	34.0	10	5113.073
		1.20 x 1.13	36.2	10	5113.109
9	Retaining rod	1.20	2.1		5113.120
10	Retaining bar	1.12	3.1		5110.112
11	Tube pallet 125 Steel, hot-dip galvanized, length of pallet posts: 0.86 m, load 1500 kg	1.37 x 0.97	32.0	10	5105.125
12	Tube pallet 85 Steel, hot-dip galvanized, length of pallet posts: 0.86 m, load 1500 kg	0.97 x 0.97	30.8	10	5105.085
13	Modular pallet Steel, hot-dip galvanized, fill height 0.74 m, load 2000 kg, external dimensions 1.26 x 0.86 m	1.26 x 0.86	45.0	5	5101.061
14	Modular skeleton box Steel, hot-dip galvanized, fill height at front 0.53 m, fill height at rear 0.74 m, load 2000 kg, external dimensions 1.26 x 0.86 m consisting of 5113.000 Modular skeleton box and 6494.514 timber base plate	1.26 x 0.86	85.8		5113.002

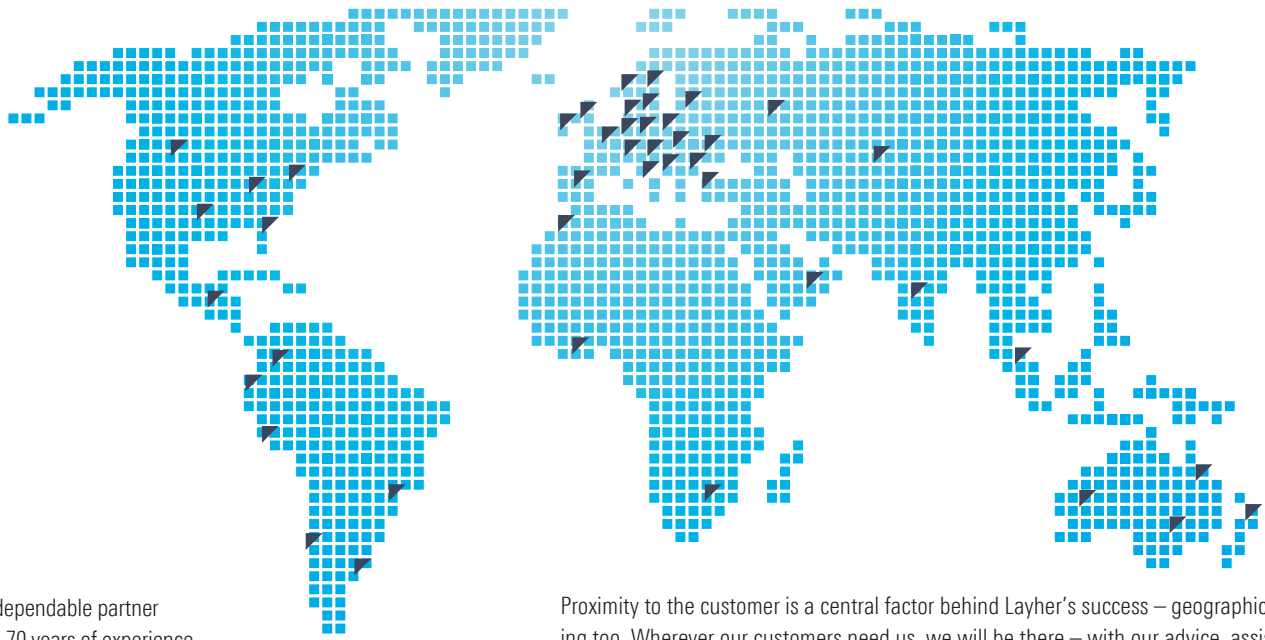
WS = wrench size PU = packaging unit = available ex works = delivery time on request = only available in this packaging unit = the approval process is not yet completed

= Layher Individual possible – see page 7

Index

A		
Access deck	14	
Access ladder	15	
T15	15	
Accessories	30, 34	
Adapter for brick guard support		
0.36/0.50/0.73 m	25	
Adjustable guardrail	16	
Adjustment frames	10	
Advance guardrail post	36, 37	
Advance guardrail system (AGS)	37	
Advance telescopic guardrail		
1.57/2.07 m	36	
2.57/3.07 m	36	
Allround ledger	22	
Aluminium bridging ledger	30	
2.57 m	31	
3.07 m	31	
Aluminium platform stair	26	
Anchoring	22	
Assembly frame pin pallet	10, 11, 37	
Assembly frames for special applications	28, 29	
Assembly guardrail		
1.57/2.07 m	37	
2.57/3.07 m	37	
B		
Base ledger	19	
Base plate	8	
60	9	
80, reinforced	9	
150, reinforced	9	
Brackets	20	
Brick guard support	24	
C		
Cap	23	
Castor	30	
700	31	
Comfort stairway	26	
Console bracket	20	
0.22 m	20, 21	
0.36 m	20, 21	
0.50 m	20, 21	
0.73 m	20, 21	
0.73 m, reinforced	20, 21	
0.73 m, swivelling	20, 21	
1.09 m	20, 21	
Corner deck, adjustable	14, 15	
D		
Deck, 0.61 m	20	
Diagonal brace	18	
with 2 half-couplers	19	
with wedge half-coupler	19	
Diagonal bracing	18	
Double coupler	22, 35	
with coarse thread	35	
Double end guardrail	16	
0.73 m	17	
1.09 m	17	
Double guardrail	16, 24	
aluminium	17	
steel	17	
Double-pin coupler		
SGS	25	
SR	25	
E		
End-AGS	36	
End guardrail	16	
End toe board	19	
ETICS hanger bolt	23	
ETICS-tie	22	
800 complete	23	
ETICS-tie rod		
380	23	
480	23	
Euro assembly frame	10, 22, 24	
2.00 m, for balustrade	28, 29	
aluminium	11	
steel	11	
2 guardrail wedge housings	11	
3 guardrail wedge housings	11	
Euro assembly frame LW		
steel	11	
2 guardrail wedge housings	11	
4 guardrail wedge housings	11	
Euro assembly frames	10	
Euro eaves bracket		
1.00 m	28, 29	
Euro guardrail post	24, 25	
Euro intermediate frame	24	
aluminium		
0.73 m	25	
steel		
0.73 m	25	
1.09 m	25	
Euro top end frame	24	
Extension lengths	36	
External scaffolding access	14	
F		
Fall protection	36	
Fan support	24, 25	
G		
Gantry frame LW	28, 29	
Gap covers	14	
Gap deck	14	
Guardrail, adjustable	17	
Guardrail box for Euro frame	16, 17	
Guardrail closure	24	
Guardrail closure, top	24	
Guardrail coupler	16	
with box	17	
Guardrail standard	32, 33	
Guardrail wedge housing cover	29	
Gusset coupler	23	
H		
Half-coupler with toe board pin	18, 19	
Hatch-type access with offset hatch	14	
I		
Individual stamping	12	
Individual toe board	18	
Initial stairway guardrail	27	
Intermediate transom		
0.73 m	31	
1.09 m	31	
for lattice beam	29	
Internal guardrail	27	
T12	27	
Internal guardrail fixing device	16	
Internal scaffolding access	14	
L		
Lattice beam coupler	28, 29	
LayPLAN	9	
Lock against lift-off	20, 21	
Locking pin	15, 24, 30, 31	
Lock nut	23	
M		
Magnetic spirit level	35	
Mobile beam with bar	31	
Modular pallet	36, 37	
Modular skeleton box	36, 37	
Modular stairway	26	
O		
Open ended wrench	23	
Outer landing-type stairway access	26	
P		
Pedestrian protection	24	
Peg extraction device	23	
Plastic pipe	23	
Plastic wall insert	23	
Plug-in console bracket		
0.22 m	20, 21	
0.36 m	20, 21	
Prohibition sign	35	
Protection net		
without quick belt	25	
PSA-Flex safety rope	37	
PSA-safety harness AX 60 C	36, 37	
PSA scaffolding construction set	37	

Q								
Quick belt		25	Stair middle section			U-starting stairway		
			0.60 m		27	aluminium		
			0.95 m		27	0.64 m wide		27
R			Stairway access		26	U-start ledgers		14
Railing clamp		32, 33	Stairway-guardrail post		27	U-steel deck, 0.19 m wide		13
Ratchet spanner		35	Stairwell guardrail		27	U-steel deck T4, 0.32 m wide		13
Reducer		30, 31	Standard brick guard		24	U-Xtra-N deck		12
Retaining bar		11, 37	Starter U-transom		26, 27	0.61 m wide		13, 15
Retaining rod		11, 37	Steel-gap cover, 0.32 m wide		15			
Ring screw		23	Steel lattice beam			W		
Roofer's guard system		24	450		29	Wall tie		22, 23
			Steel plank		14	Weather protection		32
			0.20 m		15	Weather protection support		32, 33
			0.30 m		15	Wedge spindle swivel coupler		9
			Steel tube, 33.70 mm		13			
S			Swivel coupler		35			
Scabbling pick		35	with coarse thread		35			
Scaffolding access, outside		26	Swivelling base plate 60, reinforced		9			
Scaffolding couplers		34	System lattice beam		28, 29			
Scaffolding decks		12						
Scaffolding identification pad		34, 35	T					
Scaffolding lock		24, 25	Telescopic gap deck		14, 26			
Scaffolding pallet		36	Telescopic U-gap deck		15			
Scaffolding pallets		10	Toe board		18, 19			
Scaffolding plank		9	Tools		34			
Scaffolding tube		34, 35	Tube pallet		36			
Section brace		19, 20, 21	85		37			
Securing screw		15	125		36, 37			
See-through pocket		34, 35						
Side protection net		24						
Single end guardrail			U					
0.73 m		17	U-alu deck, perforated, 0.32 m wide		13			
1.09 m		17	U-aluminium access deck, 0.61 m wide		15			
Single guardrail		16, 17	U-aluminium hatch-type access deck		15			
Software for scaffolding construction		8	U-comfort stairway					
Special bolt			aluminium					
M12 x 60		29	0.64 m wide		27			
Speedy Internal guardrail fixing device			U-distance coupler		26, 27			
without toe board pin		17	U-hatch-type steel access deck, 0.64 m wide		15			
with toe board pin		17	U-ledger for lattice beam		29			
SpeedyScaf corner plate coupler		22	Unit beam spigot					
SpeedyScaf lattice beam			T16		29			
aluminium		29	Universal U-Lift-off preventer		21			
SpeedyScaf lattice beam LW		28	U-platform stairway					
steel		29	aluminium					
SpeedyScaf roof guard		25	0.64 m wide		27			
SpeedyScaf roof guard support			U-robust deck					
0.36/0.50/0.73 m		25	0.32 m wide		13			
SpeedyScaf transom		14, 30	0.61 m wide		13			
SpeedyScaf wall tie		22, 23	U-robust hatch-type access					
Spigot		30, 31	0.61 m, hatch offset		15			
adjustable		31	U-robust hatch-type access deck					
Stair foot section			0.61 m wide		15			
0.60 m		27	U-stairway stringer 500		27			
0.95 m		27	U-stalu deck		12			
Stair guardrail		27	U-stalu deck T9					
Stair head section			0.19 m wide		13			
0.60 m		27	0.32 m wide		13			
0.95 m		27	0.61 m wide		13			



Layher is your dependable partner with more than 70 years of experience. "Made by Layher" always means "Made in Germany" too – and that goes for the entire product range. Superb quality – and all from one source.

Proximity to the customer is a central factor behind Layher's success – geographically speaking too. Wherever our customers need us, we will be there – with our advice, assistance and solutions.

-  **SpeedyScaf**
-  **Allround Scaffolding**
-  **System-free Accessories**
-  **Protective Systems**
-  **Shoring**
-  **Event Systems**
-  **Rolling Towers**
-  **Ladders**



Headquarters in Eibensbach



Plant 2 in Gueglingen

Layher 

More Possibilities. The Scaffolding System.

Wilhelm Layher GmbH & Co KG
Scaffolding Grandstands Ladders

Ochsenbacher Strasse 56
74363 Gueglingen-Eibensbach
Germany

Post Box 40
74361 Gueglingen-Eibensbach
Germany
Telephone +49 (0) 71 35 70-0
Telefax +49 (0) 71 35 70-2 65
E-mail export@layher.com
www.layher.com

