

# LED Exit & Emergency



Thermoplastic LED Exit Sign



## Specification Features

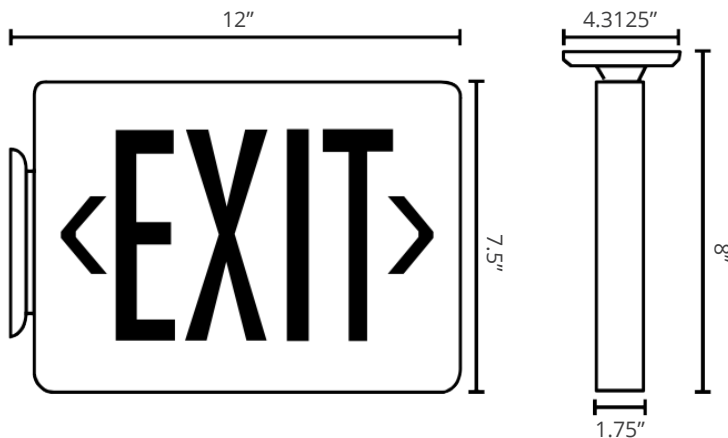
<b>Voltage</b>	Dual 120/277
<b>Charge Rate / Power</b>	"ON" LED indicator light and push-to-test switch for mandated code compliance.
<b>Battery</b>	4.8v maintenance free, rechargeable NiCd battery (EM Standard)
<b>Input Wattage</b>	1.9W
<b>Transfer Switch</b>	Internal solid state. Automatically connects the internal battery to LED board and lamp heads for minimum 90min. emergency illumination.
<b>Charger</b>	Fully automatic, solid state, two rate charger initiates battery charging to recharge a discharged battery in 24 hrs.
<b>Mounting</b>	EZ-snap mounting canopy included for top or end mount. Universal knock-out pattern on backplate for wall mount.
<b>Housing</b>	EZ-snap chevron directional indicators. Compact, low-profile design.
<b>Construction</b>	Injection molded, engineering grade, 5VA flame retardant, high impact resistant thermoplastic

## Options

<b>SDT</b>	Self diagnosis feature performs monthly, biannual, and annual tests to ensure reliable operation and meet electrical and life safety codes.
<b>2C</b>	Dual circuit option on the AC-only unit enables it to be connected to two different (one acting as a back-up to the other) supplies at the same time.
<b>USA</b>	Substantial transformation assembly in the US. Complies with "Assembled in the USA" under the "Buy American Act".
<b>cUL</b>	Units tested to meet requirements of CAN/USA-c22.2 No. 141-02 standard for unit equipment.

## Warranty

Five year warranty on all electronics and housing.
Battery pro-rated for five years.
Meets UL924, NFPA 101 Life Safety Code, NEC, OSHA, Local and State Codes.
UL listed for Damp Locations (0° C - 50° C)
Certified to CEC under Title 20 regulations.



### Ordering Example:

DCE1001-2-R-WH-SDT



Prefix	# of Faces	Letter Color	Housing Color	Battery	Options
DCE1001	2 = Universal Single/ Double Face	R = Red G = Green	WH = White BK = Black	Blank = Battery Back-up AC = AC Only	SDT = Self-Diagnostics (EM units only) 2C = Dual Circuit Operation (AC units only) USA = Assembled in USA cUL = cUL Listed

# LED Exit & Emergency

Thermoplastic LED Exit/Emergency Combo



## Specification Features

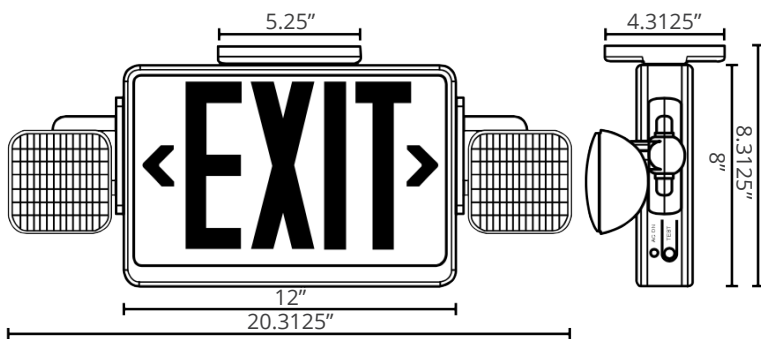
<b>Voltage</b>	Dual 120/277
<b>Charge Rate / Power</b>	"ON" LED indicator light and push-to-test switch for mandated code compliance.
<b>Battery</b>	9.6v maintenance free, rechargeable NiCd battery. (EM Standard)
<b>Transfer Switch</b>	Internal solid state. Automatically connects the internal battery to LED board and lamp heads for minimum 90min. emergency illumination.
<b>Charger</b>	Fully automatic, solid state, two rate charger initiates battery charging to recharge a discharged battery in 24 hrs.
<b>Mounting</b>	EZ-snap mounting canopy included for top or end mount. Universal knock-out pattern on backplate for wall mount.
<b>Housing</b>	EZ-snap chevron directional indicators. Compact, low-profile design.
<b>Construction</b>	Injection molded, engineering grade, 5VA flame retardant, high impact resistant thermoplastic

## Options

<b>SDT</b>	Self diagnosis feature performs monthly, biannual, and annual tests to ensure reliable operation and meet electrical and life safety codes.
<b>HL</b>	12-LED heads provide increased center-to-center spacing (1.5w per head).
<b>NH</b>	No lamp head attached to the unit enabling it to be used as a remote capable exit sign.
<b>RC</b>	Remote capacity of up to 3.0 watts.

## Warranty

Five year warranty on all electronics and housing.
Battery pro-rated for five years.
Meets UL924, NFPA 101 Life Safety Code, NEC, OSHA, Local and State Codes.
UL listed for Damp Locations (0 °C - 40 °C)
Certified to CEC under Title 20 regulations.



### Ordering Example:

DCE1003-2-R-WH-EM-SDT



Prefix	# of Faces	Letter Color	Housing Color	Battery	Options
DCE1003	2 = Universal Single/ Double Face	R = Red G = Green	WH = White BK = Black	Blank = Battery Back-up AC = AC Only	SDT = Self-Diagnostics (EM units only) RC = Remote Capacity HL = High Lumen NH = No Lamp Heads

# LED Exit & Emergency

Thermoplastic LED Emergency Unit



## Specification Features

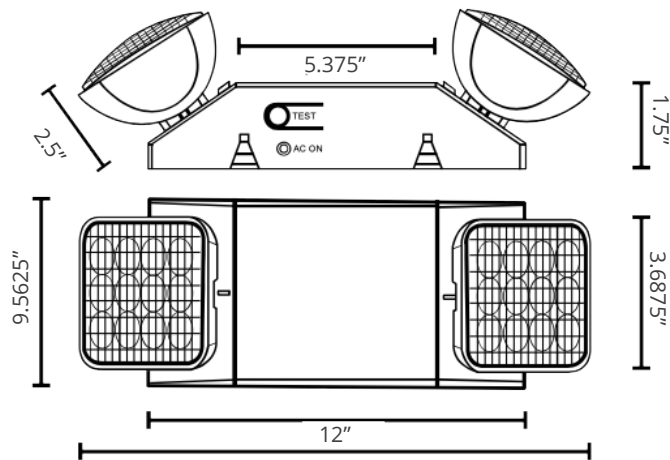
<b>Voltage</b>	Dual 120/277 Optional multi-tap 208/220/240 voltage available.
<b>Charge Rate / Power</b>	"ON" LED indicator light and push-to-test switch for mandated code compliance.
<b>Battery</b>	6v maintenance free, rechargeable NiCd battery.
<b>Transfer Switch</b>	Internal solid state. Automatically connects the internal battery to LED board and lamp heads for minimum 90min. emergency illumination.
<b>Charger</b>	Fully automatic, solid state, two rate charger initiates battery charging to recharge a discharged battery in 24 hrs.
<b>Mounting</b>	Surface mount via easy connect backplate, which fits most standard junction boxes and snaps into place making internal electrical connections. Top and side knock-outs available for conduit application. Suitable for wall mount.
<b>Construction</b>	Injection molded, engineering grade, 5VA flame retardant, high impact resistant thermoplastic.

## Options

<b>SDT</b>	Self diagnosis feature performs monthly, biannual, and annual tests to ensure reliable operation and meet electrical and life safety codes.
<b>HL</b>	12-LED heads provide increased center-to-center spacing (1.5w per head).
<b>SPV</b>	Tested 120/347v to meet requirements of CSA C22.2 No. 141.10 standard for emergency lighting equipment.
<b>CEC</b>	Certified to CEC under Title 20 Regulations.
<b>CSA</b>	Units tested to meet requirements of CAN/USA-c22.2 No. 141-02 standard for unit equipment.

## Warranty

Five year warranty on all electronics and housing.
Battery pro-rated for five years.
Meets UL924, NFPA 101 Life Safety Code, NEC, OSHA, Local and State Codes.
UL listed for Damp Locations (0° C - 50° C)



### Ordering Example:

DCE3004-WH-SDT

Prefix	Housing Color	Options	
DCE3004	WH = White BK = Black	SDT = Self-Diagnostics (EM units only) SPV = 208/220/240 Volt, 50/60 Hz HL = High Lumen CSA = 120/347V, 60Hz input	CEC = Title 20 compliant



# LED Exit & Emergency

Thermoplastic LED Emergency Unit

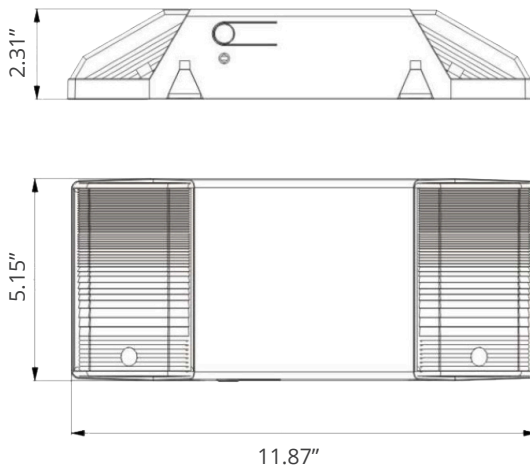


## Specification Features

<b>Voltage</b>	Dual 120/277
<b>Charge</b>	LVD (Low Voltage Disconnect) prevents battery from deep discharge
<b>Battery</b>	3.6v 1000mAh maintenance free, rechargeable NiCd battery.
<b>Transfer Switch</b>	Internal solid state. Automatically connects the internal battery to LED board and lamp heads for minimum 90min. emergency illumination.
<b>Charger</b>	Fully automatic, solid state, two rate charger initiates battery charging to recharge a discharged battery in 24 hrs.
<b>Mounting</b>	Universal knock-out pattern on backplate for wall mount. Snaps into place, making internal electrical connections. Threaded opening at the top of the enclosure for conduit mount.
<b>Construction</b>	Injection molded, engineering grade, 5VA flame retardant, high impact resistant thermoplastic

## Warranty

Five year warranty on all electronics and housing.
Battery pro-rated for two years.
Meets UL924, NFPA 101 Life Safety Code, NEC, OSHA, Local and State Codes.
UL listed for Damp Locations (0° C - 50° C)
Certified to CEC under Title 20 regulations.



### Ordering Example:

DCE3005-WH

Prefix	Housing Color
DCE3005	WH = White BK = Black



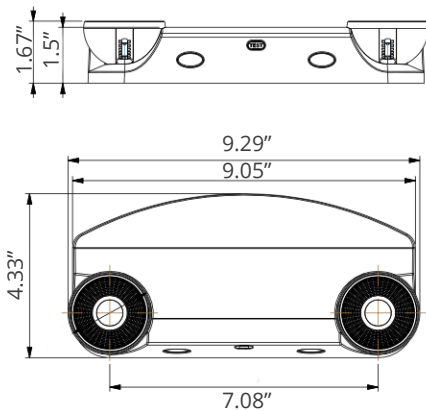
# LED Exit & Emergency

Thermoplastic LED Emergency Unit



## Specification Features

<b>Voltage</b>	Dual 120/277
<b>Charge Rate / Power</b>	"ON" LED indicator light and push-to-test switch for mandated code compliance.
<b>Battery</b>	3.6v long-life, maintenance free, rechargeable Ni-MH battery.
<b>Transfer Switch</b>	Internal solid state. Automatically connects the internal battery to LED board and lamp heads for minimum 90min. emergency illumination.
<b>Charger</b>	Fully automatic, solid state, two rate charger initiates battery charging to recharge a discharged battery in 24 hrs.
<b>Mounting</b>	Universal J-Box mounting pattern.



## Warranty

Five year warranty on all electronics and housing.
Battery pro-rated for three years.
Meets UL94V flame rating. RoHS compliant.
UL listed for Damp Locations (0 °C to 40 °C)

### Ordering Example:

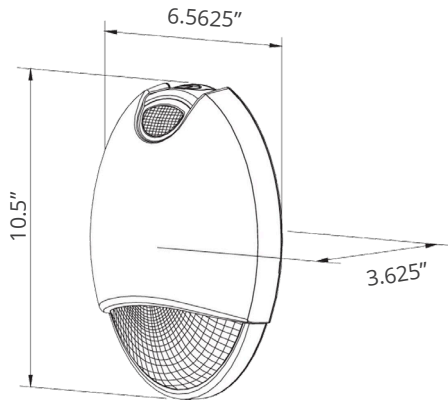
DC3051-WH-RC



Prefix	Housing Color	Options
DC3051	BK = Black WH = White	RC = Remote Control

# LED Exit & Emergency

LED Decorative Outdoor AC/ Emergency Unit



## Specification Features

<b>Voltage</b>	Dual 120/277
<b>Charge Rate / Power</b>	"ON" LED indicator light and push-to-test switch for mandated code compliance.
<b>Battery</b>	4.8v long-life, maintenance free, rechargeable NiCd battery.
<b>Transfer Switch</b>	Internal solid state. Automatically connects the internal battery to LED board and lamp heads for minimum 90min. emergency illumination.
<b>Charger</b>	Fully automatic, solid state, two rate charger initiates battery charging to recharge a discharged battery in 24 hrs.
<b>Mounting</b>	Universal knock-out pattern on backplate for wall mount. Threaded opening at top of enclosure for conduit mount.
<b>Diagnostics</b>	Self diagnosis feature performs monthly, biannual, and annual tests to ensure reliable operation and meet electrical and life safety codes.
<b>Photocell</b>	Included standard for use as dusk-to-dawn luminaire.
<b>Wiring</b>	Field selectable wiring allows for AC operation of unit to be controlled using a wall switch, photocell, or other mechanism.

## Warranty

Five year warranty on all electronics and housing.
Battery pro-rated for five years.
Meets UL924, NFPA 101 Life Safety Code, NEC, OSHA, Local and State Codes.
UL listed for Wet Locations (0°C - 50°C)

### Ordering Example:

DCEM900-DB-SDT-CW



Prefix	Housing Color	Standard Feature	Options
DCEM900	BK = Black DB = Bronze NI = Nickel WH = White	SDT = Self-Diagnostics PC = Photocell	CW = Cold Weather CEC = Title 20 compliant