

LED

# KLEAN EDGE COVE BY FORUM

A fully integrated cove lighting system which creates a straight, clean cove every time, in every space. **Klean Edge Cove** is a 2" x 8" housing, with a 4 3/4" aperture. Three unique profiles provide maximum aesthetic impact. Staggered lamps and shielding options provide seamless light quality, without scalloping for even distribution. **Klean Edge Cove** accommodates both regular and high-output T5 lamps, and the latest in LED technology.

**JOB:** \_\_\_\_\_ **TYPE:** \_\_\_\_\_

## LAMPING OPTIONS AT A GLANCE:



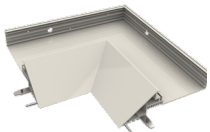
ALSO AVAILABLE IN



## ORDERING CODE

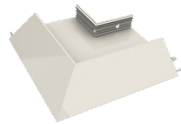
KEC	PROFILE	LAMPING	SHIELDING	LENGTH	VOLTAGE	FINISH	OPTION 1	OPTION 2	OPTION 3	OPTION 4
<b>S</b> Sabre	<b>65</b> 650 lm/ft 7.3 input watts/ft	<b>27</b> 2700k temp <b>93.5%</b> special order option	<b>SAT</b> Satin Lens	<b>2 3</b> 2' 3'	<b>120V</b>	<b>PR</b> Primer	<b>EC</b> Emergency Circuit	<b>TELE</b> Telescoping (see addendum)	<b>90 CRI</b> 90 CRI	
<b>F</b> Flat Front	<b>95</b> 950 lm/ft 10.6 input watts/ft	<b>30</b> 3000k temp <b>95.2%</b>	<b>WOL</b> White Opal lens	<b>4 5</b> 4' 5'	<b>277V</b>	<b>WH</b> White	<b>EMLED</b> LED Battery Pack	<b>F</b> Fusing		
<b>R</b> Round	<b>110</b> 1100 lm/ft 12.3 input watts/ft	<b>35</b> 3500k temp <b>96.8%</b>	<b>CFA</b> Clear Frosted Acrylic lens	<b>6 7</b> 6' 7'	<b>UNV</b> Universal	<b>SV</b> Silver	DIMMING OPTIONS:			
	*assumes 4000k w/ satin lens <b>Lumen Multiplier = % of 4000K</b> Consult factory for limitations	<b>40</b> 4000k temp <b>100%</b>		<b>8</b> 8'		<b>BK</b> Black	<b>D10V</b> 0-10V dimming 1% power class	<b>DLA2</b> Lutron Hi-lume 1% 2-wire LED driver (120V forward phase only)	<b>DLA3</b> Lutron Hi-lume 1% 3-wire LED driver	
	System Power Draw: 65LEDxx = 6.5W/ft 95LEDxx = 10.6W/ft 110LEDxx = 12.3W/ft			<b>XX</b> Specify run length in even foot increments		<b>CC</b> Custom Color Provide custom color RAL#:	<b>DLA5</b> Lutron Hi-lume 1% EcoSystem LED driver	<b>DLEH5</b> Lutron Hi-lume 1%-H EcoSystem LED driver with soft-On, Fade-to-Black	<b>DLE55</b> Lutron 5-Series EcoSystem LED driver	
							<b>DALI</b> Digitally Addressable Lighting Interface	<b>DIM</b> Dimming Please specify dimming manufacturer/model (if required)		

## OPTIONAL ACCESSORIES



**X**  
Quantity

90° INSIDE CORNER: 1' x 1'



**X**  
Quantity

90° OUTSIDE CORNER: 1' x 1'



**X**  
Quantity

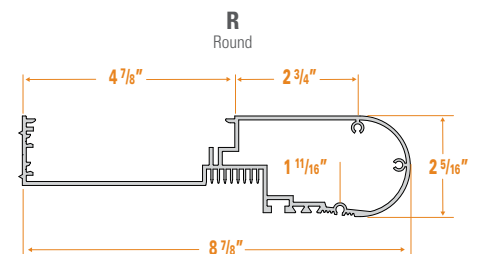
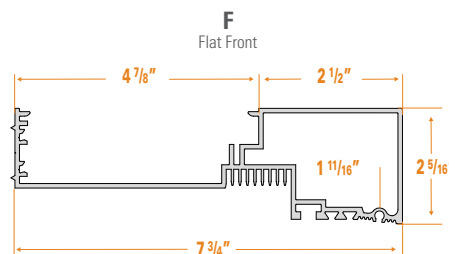
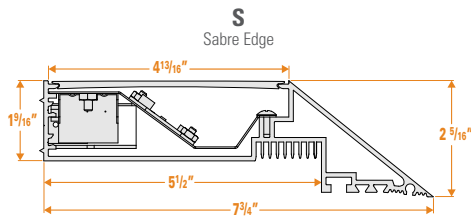
BEGINNING OF RUN END CAP



**X**  
Quantity

END OF RUN END CAP

## BODY PROFILES



## SPECIFICATIONS

\* Forum reserves the right to change this information at any time. UPDATED 07/06/17

**HOUSING** 6063 T5 extruded aluminum profile approximately 2" x 8". Integrated features allow for seamless alignment over longer runs, easy installation and removal of geartrays and lens, and seamless integration into sheetrock construction.

**SHIELDING** Satin frosted, white opal, and clear acrylic lenses are snap in. An open configuration without shielding is the default.

**GEARTRAY / REFLECTOR** Integrated geartray and reflector made from 20 GA cold rolled steel in a pre-paint white finish. Fully wired units remain completely accessible from above. Staggered lamping provides continuous light quality with telescoping assemblies, providing adjustability within any length installation.

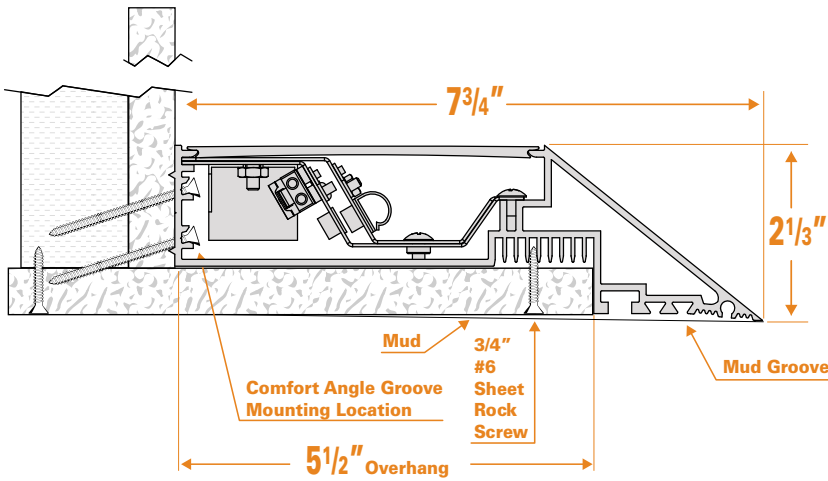
**DRIVER** Electronic, high power factor, low THD, driver used. 120V, 277V, and Universal Voltage available standard. Please consult factory for special driver requirements.

**LISTING** All fixtures bear an AFL-CIO/IBEW union label and are UL listed for surface mounting and damp location rated. For alternative location configurations, please consult factory.

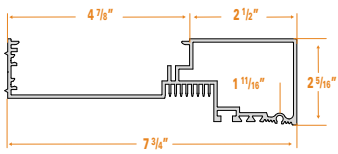
**LED SYSTEM** Forum utilizes a tunable LED system capable of supplying between 650-1100 lumens per foot. To specify specific lumen output other than standard 950 or 650, drop the last digit of the per foot lumen output desired, i.e. 400lm/ft.= 40LED35

## BODY PROFILE OPTIONS

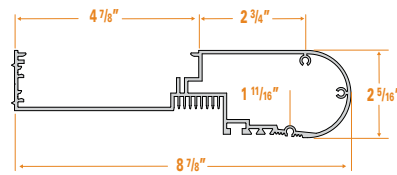
### S SABRE EDGE



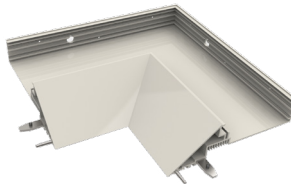
### F FLAT FRONT



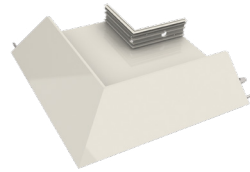
### R ROUND FRONT



### CORNER OPTIONS



90°\* INSIDE CORNER



90°\* OUTSIDE CORNER



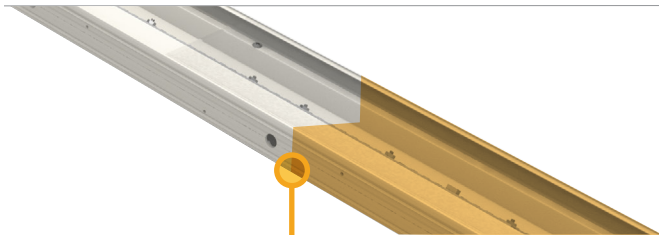
BEGINNING OF RUN  
END CAP



END OF RUN  
END CAP

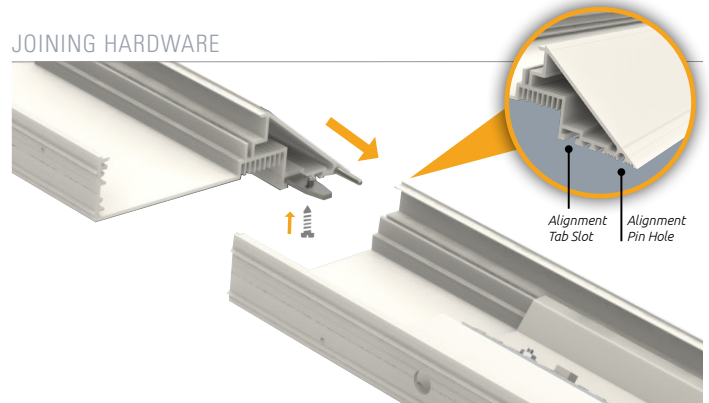
\* Custom angles available

### PRECISION FIELD CUT



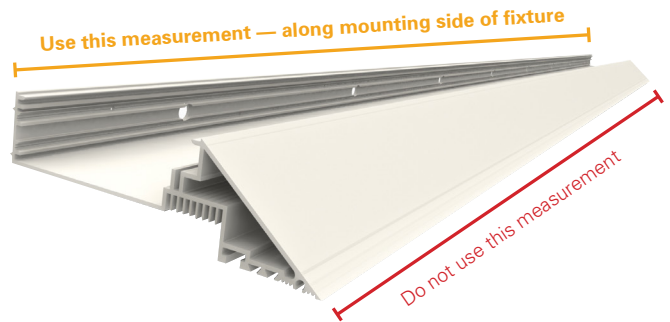
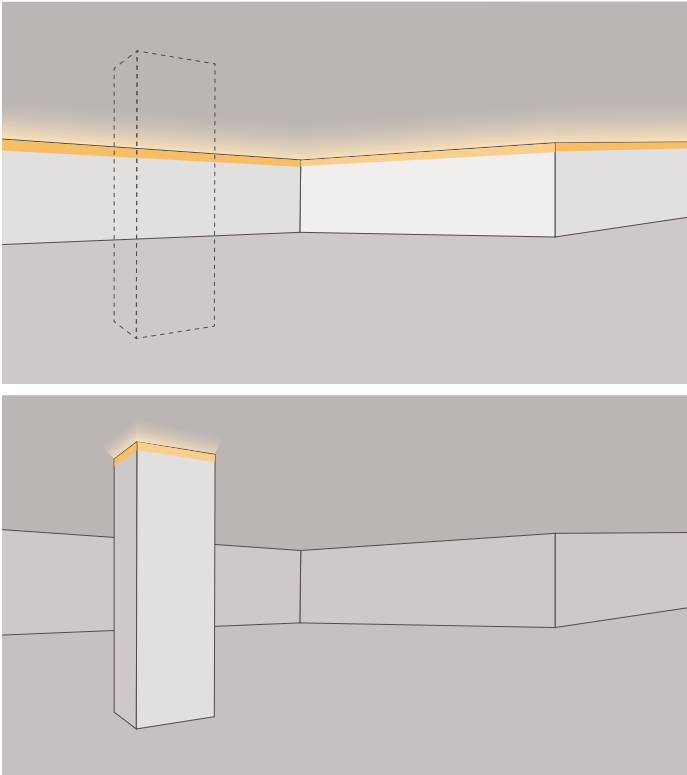
For each linear section, an extra 12" of housing is provided for a custom and precise field measurement and cut.

### JOINING HARDWARE



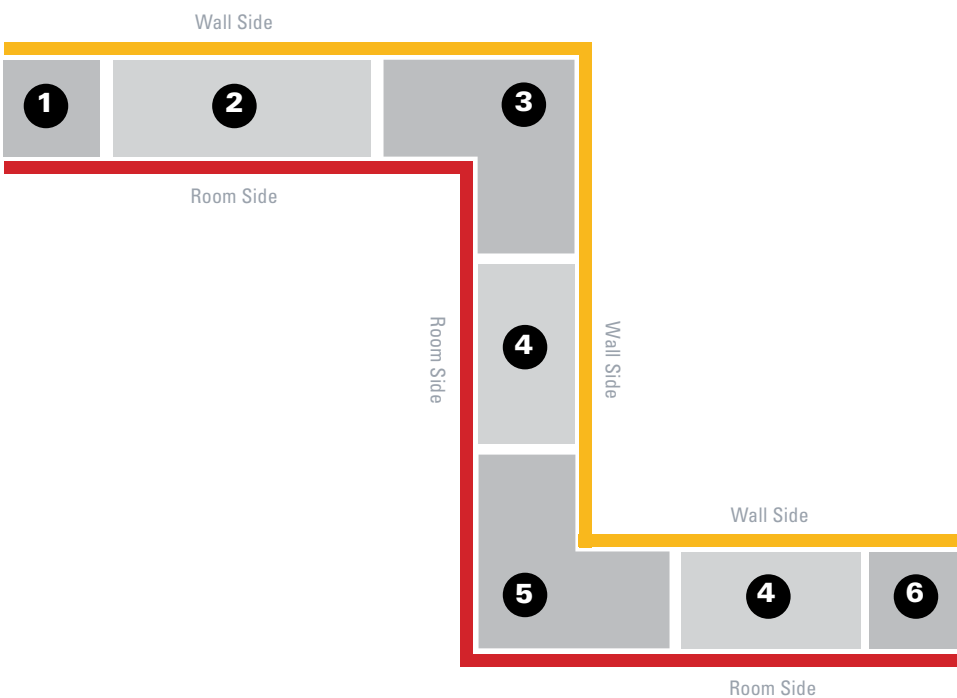
## HOUSING DETAILS

### OBTAINING PROPER RUN LENGTH MEASUREMENTS



*In order to achieve the proper run length measurement, be sure to use the dimension of total mounting surface.*

### EXAMPLE CONTINUOUS RUN SYSTEM PATTERN

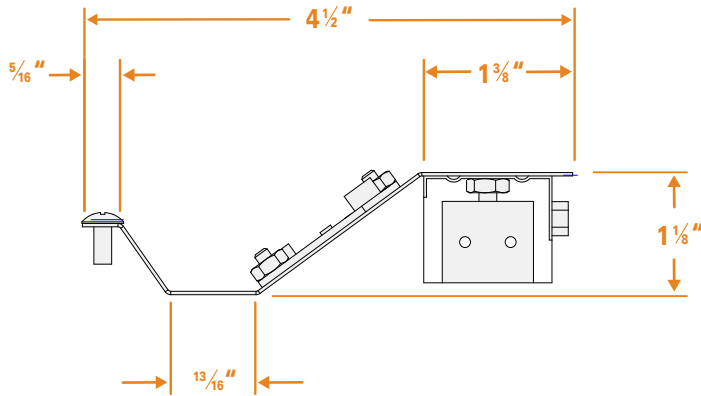


#### Example KEC Housing Component List

*To achieve the continuous run pattern seen at left, you will need:*

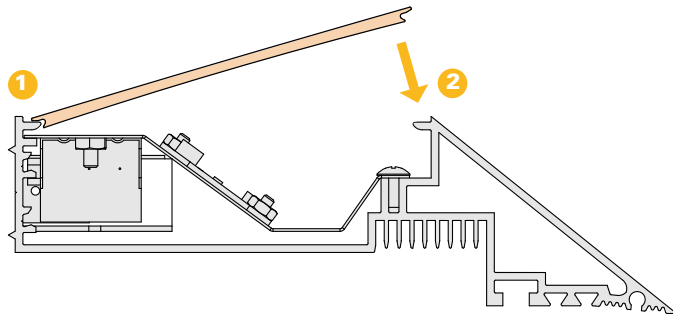
- 1** 1x Beginning of Run Endcap
- 2** 1x 7' KEC Housing Kit
- 3** 1x 90° Inside Corner
- 4** 2x 5' KEC Housing Kit
- 5** 1x 90° Outside Corner
- 6** 1x End of Run Endcap

## GEARTRAY DETAIL

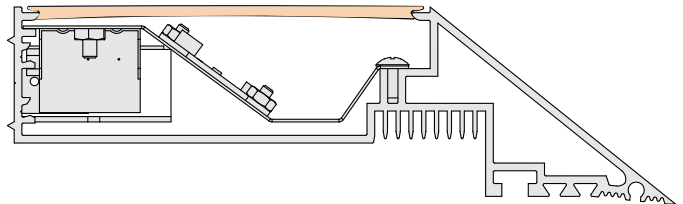


## SHIELDING, EMERGENCY CIRCUITS, AND DIMMING OPTIONS

### LENS DETAIL



Satin frosted, white opal, and clear acrylic lenses are snap in. An open configuration without shielding is the default.

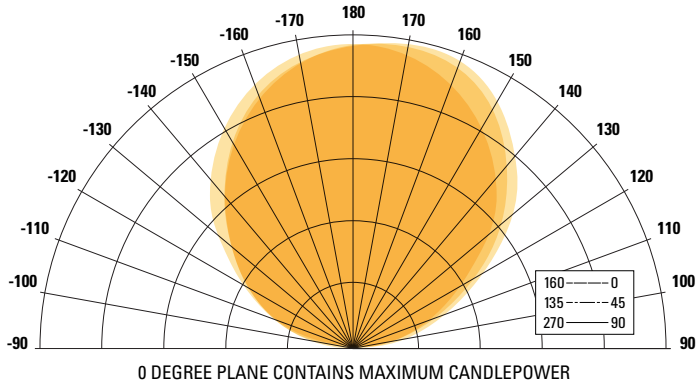


### EMERGENCY CIRCUITS & DIMMING OPTIONS

PRODUCT CODE	DESCRIPTION	MANUFACTURER
[none]	Non-Dimming	<a href="#">Universal Lighting Technologies</a>
D10V	0-10V Dimming	<a href="#">Fulham</a>
DLA2	Lutron Hi-lume 1% 2-wire LED driver (120V forward phase only)	<a href="#">Lutron</a>
DLA3	Lutron Hi-lume 1% 3-wire LED driver	<a href="#">Lutron</a>
DLA5	Lutron Hi-lume 1% EcoSystem LED driver	<a href="#">Lutron</a>
DLEH5	Lutron Hi-lume 1%-H EcoSystem LED driver with soft-On, Fade-to-Black	<a href="#">Lutron</a>
DLE55	Lutron 5-Series EcoSystem LED driver	<a href="#">Lutron</a>
DALI	Digitally Addressable Lighting Interface	<a href="#">Lutron</a>
EM1	550 Lumen Battery Pack	<a href="#">lota</a>
EM2	1100 Lumen Battery Pack	<a href="#">lota</a>
F	Fusing	<a href="#">Cooper Bussmann GLR-1/2</a>

### KEC-XX-110LED40-SATx3'

#### PHOTOMETRIC CURVE



#### CANDELA DISTRIBUTION

VERTICAL ANGLE	HORIZONTAL									LUMENS		
	.0	22.5	45	67.5	90	112.5	135	157.5	180	FRONT	BACK	TOTAL
0-90	0	0	0	0	0	0	0	0	0	.0	.0	.0
95	54	48	49	56	54	48	53	53	57	28.3	27.5	55.8
100	119	109	112	109	105	96	100	98	98			
105	175	167	169	175	162	153	155	151	148	90.3	80.5	170.8
110	259	231	230	236	210	207	205	203	208			
115	317	293	299	297	266	259	255	256	261	146.4	127.7	274.1
120	386	367	369	361	323	321	308	314	317			
125	451	437	436	424	386	376	360	368	366	193.2	166.9	360.1
130	523	510	501	492	447	433	421	414	415			
135	590	574	553	542	514	494	473	459	466	216.1	184.4	400.5
140	647	618	602	595	567	542	516	509	514			
145	690	662	657	649	611	589	559	553	559	205.9	179.4	385.3
150	726	710	705	689	657	634	610	598	599			
155	758	746	740	720	693	677	655	639	641	169.6	152.2	321.8
160	779	774	764	750	725	713	695	672	684			
165	789	786	777	767	746	738	722	707	714	110	102.4	212.4
170	791	787	782	773	760	761	746	741	744			
175	773	777	777	773	766	776	764	760	756	37	36.7	73.6
180	769	769	769	769	769	769	769	769	769			

#### SUMMARY DATA

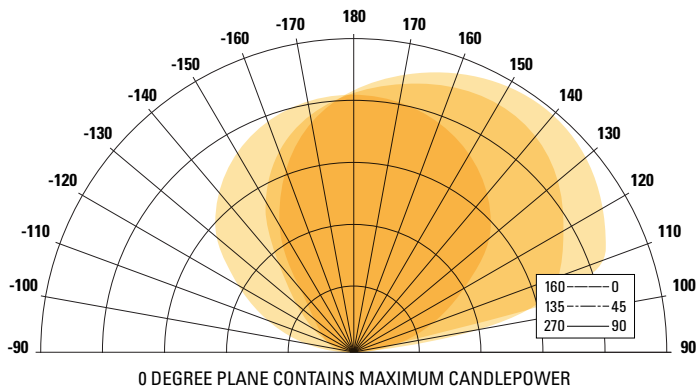
#### ZONAL SUMMARY

TOTAL SYSTEM WATTAGE:	<b>67.1w</b>
CORRECTIVE COLOR TEMP:	<b>3969k</b>
COLOR RENDERING INDEX:	<b>84.91RA</b>
EFFICACY:	<b>67.1LPW</b>
TOTAL LUMEN OUTPUT:	<b>2254</b>

ZONE	LUMENS	%FIXT
90-120	501	22.2
90-130	861	38.2
90-150	1646	73
90-180	2254	100

### KEC-XX-110LED40-OPx3'

#### PHOTOMETRIC CURVE



#### CANDELA DISTRIBUTION

VERTICAL ANGLE	HORIZONTAL									LUMENS		
	.0	22.5	45	67.5	90	112.5	135	157.5	180	FRONT	BACK	TOTAL
0-90	0	0	0	0	0	0	0	0	0	.0	.0	.0
95	2	0	0	268	56	29	41	52	55	73.1	21.9	95
100	6	5	506	398	137	39	59	65	69			
105	767	868	728	499	217	53	74	85	89	361.4	36.5	397.9
110	976	937	790	590	327	89	82	96	100			
115	1027	994	853	654	408	165	88	103	109	408.5	66.5	475.4
120	1071	1036	914	725	488	254	107	106	113			
125	1107	1068	954	775	577	367	155	123	119	413.4	109.9	523.3
130	1131	1097	988	838	641	494	231	168	150			
135	1146	1112	1018	880	707	557	319	235	210	385.6	153.3	539
140	1153	1124	1045	922	764	622	423	326	289			
145	1152	1128	1059	952	815	685	534	432	383	326.7	175.5	502.2
150	1141	1121	1064	974	856	741	644	557	509			
155	1125	1112	1064	990	893	806	716	678	641	243.2	171.7	414.9
160	1097	1094	1056	998	922	851	775	738	727			
165	1072	1066	1040	998	940	892	841	809	792	146.3	102.4	266.8
170	1040	1029	1013	988	952	931	888	868	856			
175	993	981	979	971	957	954	932	922	907	46.6	44.8	91.3
180	952	952	952	952	952	952	952	952	952			

#### SUMMARY DATA

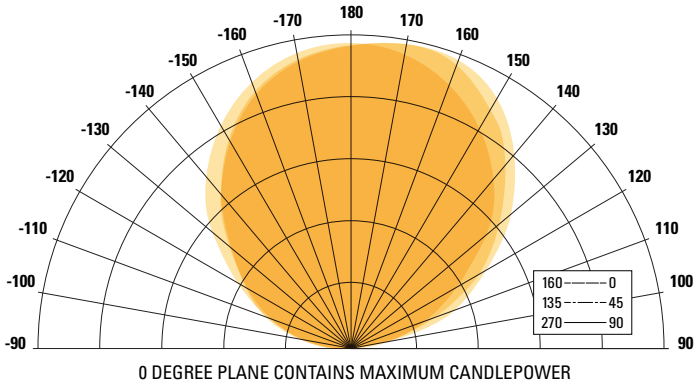
#### ZONAL SUMMARY

TOTAL SYSTEM WATTAGE:	<b>98.7w</b>
CORRECTIVE COLOR TEMP:	<b>4085k</b>
COLOR RENDERING INDEX:	<b>84.81RA</b>
EFFICACY:	<b>98.7LPW</b>
TOTAL LUMEN OUTPUT:	<b>3306</b>

ZONE	LUMENS	%FIXT
90-120	968	29.3
90-130	1492	45.1
90-150	2533	76.6
90-180	3306	100

### KEC-XX-95LED40-SATx3'

### PHOTOMETRIC CURVE



### CANDELA DISTRIBUTION

VERTICAL ANGLE	HORIZONTAL									LUMENS		
	.0	22.5	45	67.5	90	112.5	135	157.5	180	FRONT	BACK	TOTAL
<b>0-90</b>	0	0	0	0	0	0	0	0	0	<b>.0</b>	<b>.0</b>	<b>.0</b>
<b>95</b>	46	40	41	47	46	40	45	45	48	<b>23.9</b>	<b>23.3.5</b>	<b>47.2</b>
<b>100</b>	101	92	95	92	89	82	85	83	83			
<b>105</b>	148	141	143	148	137	130	131	128	125	<b>76.4</b>	<b>68.1</b>	<b>144.5</b>
<b>110</b>	219	195	194	200	178	175	174	171	176			
<b>115</b>	268	248	253	252	225	219	216	216	221	<b>123.9</b>	<b>108</b>	<b>231.9</b>
<b>120</b>	326	310	312	306	274	271	261	266	268			
<b>125</b>	382	370	369	359	326	318	305	312	309	<b>163.4</b>	<b>141.2</b>	<b>304.6</b>
<b>130</b>	442	431	424	416	378	367	356	350	351			
<b>135</b>	499	486	468	459	434	418	400	388	394	<b>182.8</b>	<b>156</b>	<b>338.8</b>
<b>140</b>	547	523	509	504	479	459	437	431	434			
<b>145</b>	584	560	556	549	517	498	473	468	473	<b>174.2</b>	<b>151.8</b>	<b>325.9</b>
<b>150</b>	614	601	597	583	556	537	516	506	507			
<b>155</b>	641	631	626	609	586	572	554	540	543	<b>143.5</b>	<b>128.8</b>	<b>272.3</b>
<b>160</b>	659	655	646	634	614	604	588	569	579			
<b>165</b>	668	665	658	649	631	624	611	598	604	<b>93.1</b>	<b>86.6</b>	<b>179.7</b>
<b>170</b>	669	666	662	654	643	644	631	627	630			
<b>175</b>	654	657	658	654	648	656	646	643	639	<b>31.3</b>	<b>31</b>	<b>62.3</b>
<b>180</b>	651	651	651	651	651	651	651	651	651			

### SUMMARY DATA

### ZONAL SUMMARY

TOTAL SYSTEM WATTAGE:	<b>68.6w</b>
CORRECTIVE COLOR TEMP:	<b>3965k</b>
COLOR RENDERING INDEX:	<b>84.94RA</b>
EFFICACY:	<b>68.8LPW</b>
TOTAL LUMEN OUTPUT:	<b>1907</b>

ZONE	LUMENS	%FIXT
<b>90-120</b>	424	22.2
<b>90-130</b>	728	38.2
<b>90-150</b>	1393	73
<b>90-180</b>	1907	100