


Infinity

USA	Effective Date	6-Aug-18			\$USD Price
	Product Code	Sub-Code	Description		
Office Software					
MultiWorx for AutoCad					
	Multiworx for AutoCad				
	808690	MultiWorx AutoCAD Permanent		\$	3,990
	MultiWorx for AutoCAD CCP				
	6008007	MultiWorx AutoCAD CCP 1 yr.		\$	800
	6008008	MultiWorx AutoCAD CCP 2 yr.		\$	1,440
	6008009	MultiWorx AutoCAD CCP 3 yr.		\$	2,040
Leica Infinity Office SW					
	Infinity Basic Licenses				
	808787	Infinity Basic (Node Locked)		\$	500
	808788	Infinity Basic (Floating)		\$	500
	Infinity Individual Licenses (Add to any basic license)				
	808791	TPS data-processing for Infinity		\$	500
	835322	Infinity Level data-processing + Adjustments 1D		\$	500
	808792	Adjustment 3D for Infinity		\$	1,550
	808793	Surfaces for Infinity		\$	850
	808794	Surfaces and Scanning for Infinity		\$	1,890
	808795	Upgrade for Surfaces to add Scanning for Infinity		\$	890
	808796	Infinity Imaging Measurement		\$	1,000
	835323	Infinity GNSS Single frequency data-processing		\$	890
	835324	Infinity Upgrade to Dual frequency data-processing		\$	2,110
	835325	Infinity GNSS Multi frequency data-processing		\$	2,850
	835326	Infinity Infrastructure - Road + Material Surfaces		\$	2,000
	Infinity Bundles (Node Locked)				
	808789	Infinity TPS Scanning Bundle (Node-locked). includes Infinity Basic, TPS data-ptocessing, Surfaces and Scanning		\$	3,110
	818015	Infinity Complete Terrestrial Bundle (Node-Locked). includes Infinity Basic, TPS data-ptocessing, Level data-processing + Adjustments 1D, Surfaces and Scanning, Adjustments 3D, Infinity Imaging		\$	4,640
	835320	Infinity Complete GNSS & Terrestrial Bundle (Node-Locked) includes Infinity Basic, TPS data-ptocessing, Level data-processing + Adjustments 1D, Surfaces and Scanning, Adjustments 3D, Infinity Imaging, GNSS Multi Freq. data-processing.		\$	6,540
	851483	Infinity Complete & Infrastructure Bundle (Node-Locked). includes Infinity Basic, TPS data-processing, Level data-processing + Adjustments 1D, Surface&Volumes & Scanning, Adjustments 3D, Imaging, GNSS Multi frequency data processing, Infrastructure with Roads		\$	7,590
	Infinity Bundles (Floating)				
	808790	Infinity TPS Scanning Bundle (Floating) includes Infinity Basic, TPS data-ptocessing, Surfaces and Scanning		\$	3,110
	818016	Infinity Complete Terrestrial Bundle (Floating) includes Infinity Basic, TPS data-ptocessing, Level data-processing + Adjustments 1D, Surfaces and Scanning, Adjustments 3D, Infinity Imaging		\$	4,640
	835321	Infinity Complete GNSS & Terrestrial Bundle (Floating) includes Infinity Basic, TPS data-ptocessing, Level data-processing + Adjustments 1D, Surfaces and Scanning, Adjustments 3D, Infinity Imaging, GNSS Multi Freq. data-processing.		\$	6,540
	851484	Infinity Complete & Infrastructure Bundle (Floating). includes Infinity Basic, TPS data-processing, Level data-processing + Adjustments 1D, Surface&Volumes & Scanning, Adjustments 3D, Imaging, GNSS Multi frequency data processing, Infrastructure with Roads		\$	7,590
	Infinity Demo License				
	808799	Infinity 30 Day Eval (Node Locked)		\$	N/C
	808798	Infinity 1 year Demo Licence (Not for Resale)		\$	N/C

Customer Care Packages - Leica Infinity



Infinity Basic Licence

6008236	1 yr Infinity Basic Bundle CCP	\$	250
6008237	2 yr Infinity Basic Bundle CCP	\$	470
6008238	3 yr Infinity Basic Bundle CCP	\$	660
6011276	5 yr Infinity Basic Bundle CCP	\$	1,100

Infinity TPS Scanning Bundle

6008242	1 yr Infinity TPS Scan. Bundle CCP	\$	490
6008243	2 yr Infinity TPS Scan. Bundle CCP	\$	890
6008244	3 yr Infinity TPS Scan. Bundle CCP	\$	1,250
6011277	5 yr Infinity TPS Scan. Bundle CCP	\$	2,090

Infinity Complete Terrestrial Bundle

6008245	1 yr Infinity Complete Terr. Bundle CCP	\$	650
6008246	2 yr Infinity Complete Terr. Bundle CCP	\$	1,190
6008247	3 yr Infinity Complete Terr. Bundle CCP	\$	1,680
6011278	5 yr Infinity Complete Terr. Bundle CCP	\$	2,790

Infinity Complete GNSS & Terr. Bundle

6010365	1 yr Infinity Complete GNSS&Terr.Bd. CCP	\$	850
6010366	2 yr Infinity Complete GNSS&Terr.Bd. CCP	\$	1,550
6010367	3 yr Infinity Complete GNSS&Terr.Bd. CCP	\$	2,180
6011279	5 yr Infinity Complete GNSS&Terr.Bd. CCP	\$	3,640

Infinity Compl. & Infrstr. Bundle

6011804	1 yr Infinity Compl. & Infrstr. Bdle CCP	\$	910
6011805	2 yr Infinity Compl. & Infrstr. Bdle CCP	\$	1,650
6011806	3 yr Infinity Compl. & Infrstr. Bdle CCP	\$	2,330
6011807	5 yr Infinity Compl. & Infrstr. Bdle CCP	\$	3,880

Infinity Flexible Bundle

6008248	1 yr Infinity Flexible Bundle CCP	\$	Flexible
6008249	2 yr Infinity Flexible Bundle CCP	\$	Flexible
6008250	3 yr Infinity Flexible Bundle CCP	\$	Flexible
6011280	5 yr Infinity Flexible Bundle CCP	\$	Flexible

Leica Geo Office

USA

Effective Date
Product Code

6-Aug-18
Sub-Code

Description

\$USD
Price

Office Software

Leica Geo Office Software - Individual Options - Node Locked



Data Processing Options

778072	L1 Data Processing for GNSS	\$	1,600
778073	L1/L2 Data Processing for GNSS	\$	3,200
778074	Upgrade from L1 to L1/L2 Data Processing	\$	1,620
778075	GLONASS Data Processing Option	\$	800
778076	SR20 GPS processing (L1)	\$	980
782108	Viva Uno GNSS Processing (L1)	\$	980
778077	TPS Data Processing	\$	250
778078	Level Data Processing	\$	250

Adjustment and Other Computation Options

778083	Design & Adjustment 1D	\$	500
778084	Design & Adjustment 3D	\$	1,600
778085	Upgrade Design & Adjustment 1D to 3D	\$	1,040
778082	COGO Calculations	\$	240
778086	Datum & Map Transformation	\$	500
778087	Surfaces and Volumes Calculations	\$	500

Import and Export Options

778079	RINEX Import	\$	500
778081	LandXML Import/Export	\$	250
778080	GIS/CAD Export	\$	500

Leica Geo Office Software - Individual Options - Floating

Data Processing Options

778072	L1 Data Processing for GNSS	\$	1,600
778073	L1/L2 Data Processing for GNSS	\$	3,200
778074	Upgrade from L1 to L1/L2 Data Processing	\$	1,620
778075	GLONASS Data Processing Option	\$	800
778076	SR20 GPS processing (L1)	\$	980
782108	Viva Uno GNSS Processing (L1)	\$	980
778077	TPS Data Processing	\$	250
778078	Level Data Processing	\$	250

Adjustment and Other Computation Options

778083	Design & Adjustment 1D	\$	500
778084	Design & Adjustment 3D	\$	1,600
778085	Upgrade Design & Adjustment 1D to 3D	\$	1,040
778082	COGO Calculations	\$	240
778086	Datum & Map Transformation	\$	500
778087	Surfaces and Volumes Calculations	\$	500

Import and Export Options

778079	RINEX Import	\$	500
778081	LandXML Import/Export	\$	250
778080	GIS/CAD Export	\$	500

Customer Care Packages - Leica Geo office



CCPs for LGO Basic Licenses have fixed prices and must be ordered if the license contains only the license article (778071).

Leica Geo Office Software			
6004348	1 yr LGO CCP		\$ 290
Leica Geo Office TPS Bundle			
6004999	1 yr LGO TPS Bundle CCP		\$ 340
Leica Geo Office GNSS RTK Bundle			
6005002	1 yr LGO GPS RTK Bundle CCP		\$ 330
Leica Geo Office GNSS-PP Bundle			
6005006	1 yr LGO GPS-PP Bundle CCP		\$ 1,410
Leica Geo Office Level Bundle			
6005009	1 yr LGO Level Bundle CCP		\$ 360
Leica Geo Office Professional Bundle			
6005012	1 yr LGO Professional Bundle CCP		\$ 1,960
CCP's for Flexible LGO Licenses			

CCPs for Flexible LGO Bundles must be ordered if the license contains additional options. The price depends on the software options purchased by the customer.

6005015	1 yr LGO Flexible Bundle CCP		\$ Flexible
---------	------------------------------	--	-------------

GeoMos Software

USA	Effective Date	6-Aug-18		\$USD
	Product Code	Sub-Code	Description	Price
GeoMoSSoftware				
GeoMos NOW!				
			GeoMoS Now! Survey Edition for Cloud (Leica hosting)	
			Leica GeoMoS Now! Survey Edition is a service hosted on Leica server that is similar to Leica GeoMoS Now! Cloud version but it does not require GeoMoS Monitor as a data source. Data file in text or .csv or .csv format containing total station or digital level coordinates can be directly uploaded to this web-service. After the upload, all functions of GeoMoS Now! are available.	
	5307371		GeoMoS Now! Survey Edition, 1 year subscription	\$ 1,250
			GeoMoS Now! Survey Edition - 180 Days Trial Subscription	
	5307372		GeoMoS Now! Survey Edition, 180 days trial subscription	\$ N/C

MicroSurvey

USA

Effective Date
Product Code

6-Aug-18
Sub-Code

Description

\$USD
Price

MicroSurvey Field & Office Software

MicroSurvey FieldGenius



Field Software

8240206	FieldGenius - Premium Software	\$	2,195
8241506	FieldGenius - Standard Software - (contains Total Station & GNSS)	\$	1,495

Field Genius Maintenance

8246188	FieldGenius - Standard - Annual Maintenance Subscription (1yr)	\$	195
8246189	FieldGenius - Premium - Annual Maintenance Subscription (1yr)	\$	295

Field Genius Upgrades

8246210	FieldGenius Standard Upgrade (G1) Current from Previous Version (includes 1yr AMS)	\$	595
8246209	FieldGenius Standard Upgrade (G2) Current from 2 Versions (includes 1yr AMS)	\$	795
8246207	FieldGenius Standard Upgrade (G3) Current from 3 Versions (includes 1yr AMS)	\$	895
8248788	FieldGenius Standard Upgrade (G4) Current from 4+ Versions (includes 1yr AMS)	\$	995
8246213	FieldGenius Premium Upgrade (G1) Current from Previous Version (includes 1yr AMS)	\$	895
8246212	FieldGenius Premium Upgrade (G2) Current from 2 Versions (includes 1yr AMS)	\$	1,095
8246211	FieldGenius Premium Upgrade (G3) Current from 3 Versions (includes 1yr AMS)	\$	1,295
8248787	FieldGenius Premium Upgrade (G4) Current from 4+ Versions (includes 1 yr AMS)	\$	1,495

MicroSurvey CAD

Office Software

8240103	MicroSurvey CAD Basic Software	\$	995
8240105	MicroSurvey CAD Standard Software	\$	1,495
8240104	MicroSurvey CAD Premium Software	\$	1,995
8240106	MicroSurvey CAD Ultimate Software	\$	6,995
8243142	MicroSurvey CAD Studio Software	\$	7,995

Network License

8241508	MicroSurvey CAD Network Sharing Fee	\$	500
---------	-------------------------------------	----	-----

Software Maintenance

8240109	MicroSurvey CAD Basic - Annual Maintenance Subscription (1yr)	\$	195
8240110	MicroSurvey CAD Standard - Annual Maintenance Subscription (1yr)	\$	295
8240111	MicroSurvey CAD Premium - Annual Maintenance Subscription (1yr)	\$	395
8248829	MicroSurvey CAD Premium - Annual Maintenance Subscription (2yr)	\$	790
8248830	MicroSurvey CAD Premium - Annual Maintenance Subscription (3yr)	\$	1,185
8248831	MicroSurvey CAD Premium - Annual Maintenance Subscription (5yr)	\$	1,975
8240112	MicroSurvey CAD Ultimate - Annual Maintenance Subscription (1yr)	\$	1,495
8243143	MicroSurvey CAD Studio - Annual Maintenance Subscription (1yr)	\$	1,595

Upgrade to MicroSurvey CAD - Current Version from Previous Version

8241522	MicroSurvey CAD Basic Upgrade (G1) Current from Previous Version (includes 1yr AMS)	\$	495
8241521	MicroSurvey CAD Standard Upgrade (G1) Current from Previous Version (includes 1yr AMS)	\$	695
8241520	MicroSurvey CAD Premium Upgrade (G1) Current from Previous Version (includes 1yr AMS)	\$	795
8243424	MicroSurvey CAD Ultimate Upgrade (G1) Current from Previous Version (includes 1yr AMS)	\$	2,795
8248835	MicroSurvey CAD Studio Upgrade (G1) Current from Previous Version (includes 1yr AMS)	\$	3,195

Upgrade to MicroSurvey CAD - Current Version from 2 x Versions

8241525	MicroSurvey CAD Basic Upgrade (G2) Current from 2 Versions (includes 1yr AMS)	\$	595
8241524	MicroSurvey CAD Standard Upgrade (G2) Current from 2 Versions (includes 1yr AMS)	\$	795
8241523	MicroSurvey CAD Premium Upgrade (G2) Current from 2 Versions (includes 1yr AMS)	\$	995
8248838	MicroSurvey CAD Ultimate Upgrade (G2) Current from 2 Versions (includes 1yr AMS)	\$	3,495
8248836	MicroSurvey CAD Studio Upgrade (G2) Current from 2 Versions (includes 1yr AMS)	\$	3,995

Upgrade to MicroSurvey CAD - Current Version from 3 x Versions

8241528	MicroSurvey CAD Basic Upgrade (G3) Current from 3 Versions (includes 1yr AMS)	\$	695
8241527	MicroSurvey CAD Standard Upgrade (G3) Current from 3 Versions (includes 1yr AMS)	\$	995
8241526	MicroSurvey CAD Premium Upgrade (G3) Current from 3 Versions (includes 1yr AMS)	\$	1,195
8248839	MicroSurvey CAD Ultimate Upgrade (G3) Current from 3 Versions (includes 1yr AMS)	\$	4,195
8248837	MicroSurvey CAD Studio Upgrade (G3) Current from 3 Versions (includes 1yr AMS)	\$	4,795

Upgrade to MicroSurvey CAD - Current Version from 4+ x Versions

8248832	MicroSurvey CAD Basic Upgrade (G4) Current from 4+ Versions (includes 1yr AMS)	\$	795
8248834	MicroSurvey CAD Standard Upgrade (G4) Current from 4+ Versions (includes 1yr AMS)	\$	1,095
8248833	MicroSurvey CAD Premium Upgrade (G4) Current from 4+ Versions (includes 1yr AMS)	\$	1,395
8248840	MicroSurvey CAD Ultimate Upgrade (G4) Current from 4+ Versions (includes 1yr AMS)	\$	4,895




MicroSurvey

MicroSurvey inCAD			
Office Software			
8240126	inCAD Standard Software	\$	1,495
8240128	inCAD Premium Software	\$	1,995
Software Maintenance			
8240129	inCAD Standard Annual Maintenance Subscription (1yr)	\$	295
8240130	inCAD Premium Annual Maintenance Subscription (1yr)	\$	395
Network License			
8248793	inCAD Software Network Fee	\$	500
Upgrade to MicroSurvey inCAD - Current Version from Previous Version			
8241534	inCAD Standard Upgrade (G1) Current from Previous Version (includes 1yr AMS)	\$	695
8241533	inCAD Premium Upgrade (G1) Current from Previous Version (includes 1yr AMS)	\$	795
Upgrade to MicroSurvey inCAD - Current Version from 2 x Versions			
8241536	inCAD Standard Upgrade (G2) Current from 2 Versions (includes 1yr AMS)	\$	795
8241535	inCAD Premium Upgrade (G2) Current from 2 Versions (includes 1yr AMS)	\$	995
Upgrade to MicroSurvey inCAD - Current Version from 3 x Versions			
8241538	inCAD Standard Upgrade (G3) Current from 3 Versions (includes 1yr AMS)	\$	995
8241537	inCAD Premium Upgrade (G3) Current from 3 Versions (includes 1yr AMS)	\$	1,195
Upgrade to MicroSurvey inCAD - Current Version from 4+ x Versions			
8248796	inCAD Standard Upgrade (G4) Current from 4+ Versions (includes 1yr AMS)	\$	1,095
8248795	inCAD Premium Upgrade (G4) Current from 4+ Versions (includes 1yr AMS)	\$	1,395

MicroSurvey

MicroSurvey embeddedCAD 2015			
Office Software			
8240132	Microsurvey embeddedCAD Standard Software	\$	2,495
8240134	MicroSurvey embeddedCAD Premium Software	\$	2,995
Network License			
8241509	MicroSurvey embeddedCAD Network Sharing Fee	\$	500
Software Maintenance			
8240156	MicroSurvey embeddedCAD Standard - Annual Maintenance Subscription (1yr)	\$	495
8240158	MicroSurvey embeddedCAD Premium - Annual Maintenance Subscription (1yr)	\$	595
Upgrade to MicroSurvey embedded CAD - Current Version from Previous Version			
8246218	MicroSurvey embeddedCAD Standard Upgrade (G1) Current from Previous Version (includes 1yr AMS)	\$	995
8246219	MicroSurvey embeddedCAD Premium Upgrade (G1) Current from Previous Version (includes 1yr AMS)	\$	1,195
Upgrade to MicroSurvey embedded CAD - Current Version from 2 x Versions			
8241525	MicroSurvey CAD Basic Upgrade (G2) Current from 2 Versions (includes 1yr AMS)	\$	595
8241526	MicroSurvey CAD Premium Upgrade (G3) Current from 3 Versions (includes 1yr AMS)	\$	1,195
Upgrade to MicroSurvey embedded CAD - Current Version from 3 x Versions			
8248776	MicroSurvey embeddedCAD Premium Upgrade (G3) Current from 3+ Versions (includes 1yr AMS)	\$	2,095
8248777	MicroSurvey embeddedCAD Standard Upgrade (G3) Current from 3+ Versions (includes 1yr AMS)	\$	1,695
STAR*NET			
Office Software			
8240186	STAR*NET 8 Lev	\$	695
8240187	STAR*NET 8 Standard	\$	995
8240188	STAR*NET 8 Plus	\$	1,495
8240189	STAR*NET 8 Pro	\$	1,995
STAR*NET Conversion Utilities			
8241512	STAR*NET 8 Conversion Utility: STAR*TDS	\$	200
8241513	STAR*NET 8 Conversion Utility: STAR*TDS-Lev	\$	200
8243376	STAR*NET 8 Conversion Utility: STAR*Carlson	\$	200
8243377	STAR*NET 8 Conversion Utility: STAR*CG	\$	200
8243378	STAR*NET 8 Conversion Utility: STAR*DiNi	\$	200
8243379	STAR*NET 8 Conversion Utility: STAR*DNA	\$	200
8243380	STAR*NET 8 Conversion Utility: STAR*FieldGenius	\$	200
8243381	STAR*NET 8 Conversion Utility: STAR*GEO	\$	200
8243382	STAR*NET 8 Conversion Utility: STAR*JobXML	\$	200
8243383	STAR*NET 8 Conversion Utility: STAR*LeicaDBX	\$	200
8243384	STAR*NET 8 Conversion Utility: STAR*SDR	\$	200
8243385	STAR*NET 8 Conversion Utility: STAR*SMI	\$	200
8243386	STAR*NET 8 Conversion Utility: STAR*TopDL	\$	200
8243387	STAR*NET 8 Conversion Utility: STAR*TSC	\$	200
Software Maintenance			
8240196	STAR*NET LEV - Annual Maintenance Subscription	\$	145
8240197	STAR*NET STD - Annual Maintenance Subscription	\$	195
8240198	STAR*NET PRO - Annual Maintenance Subscription	\$	295
8240199	STAR*NET PLUS - Annual Maintenance Subscription	\$	395
Upgrades			
8241551	Upgrade to STAR*NET 8 Lev from STAR*NET 7 Lev (includes 1yr AMS)	\$	295
8241550	Upgrade to STAR*NET 8 Standard from STAR*NET 7 Standard (includes 1yr AMS)	\$	395
8241549	Upgrade to STAR*NET 8 Plus from STAR*NET 7 Plus (includes 1yr AMS)	\$	595
8241548	Upgrade to STAR*NET 8 Pro from STAR*NET 7 Pro (includes 1yr AMS)	\$	795
8241552	Upgrade to STAR*NET 8 Pro from STAR*NET 6 Pro (includes 1yr AMS)	\$	995
Network License			
8241511	STAR*NET Network Sharing Fee	\$	500

LS Digital Levels

USA	Effective Date Product Code	6-Aug-18 Sub-Code	Description	\$USD Price
Leica Digital Levels (LS10 & LS15)				
LS Digital Level Series				
	LS10 0.3mm Digital Level 804550		LS10 0.3mm, precision digital level with magnetically damped compensator, internal memory, communication interface, automatic target recognition, PowerSearch, 5MP imaging, overview camera, 30x telescope camera, Autofocus, WLAN, Bluetooth, RS232/USB interface, RadioHandle interface, USB stick/SD card interface, 2GB eMMC Flash Memory, 1GB SDRAM, 2 keyboards with 5" WVGA color touch screen, laser plummet, Quick Guide and upright container.	\$ 6,750
	LS15 0.3mm Digital level 804549		LS15 0.3mm, precision digital level with magnetically damped compensator, auto focus, wide-angle camera, communication interface, PowerSearch, WLAN, Bluetooth, RS232/USB interface, RadioHandle interface, USB stick/SD card interface, 2GB eMMC Flash Memory, 1GB SDRAM, 2 keyboards with 5" WVGA color touch screen, laser plummet, Quick Guide and upright container.	\$ 8,220
	LS15 0.2mm Digital Level 804548		LS15 0.2mm, precision digital level with magnetically damped compensator, auto focus, wide-angle camera, communication interface, PowerSearch, WLAN, Bluetooth, RS232/USB interface, RadioHandle interface, USB stick/SD card interface, 2GB eMMC Flash Memory, 1GB SDRAM, 2 keyboards with 5" WVGA color touch screen, laser plummet, Quick Guide and upright container.	\$ 11,620
<div style="background-color: black; color: white; padding: 5px;"> A Calibration Certificate Silver is issued with the instrument which includes tests on height accuracy in accordance to ISO 17123-1, compensator setting accuracy and magnetic field tests. </div>				
Calibration Certificates				
	<div style="background-color: black; color: white; padding: 5px;"> For LS10 and LS15 Calibration Certificates Blue are available via myWorld download. </div>			
Batteries				
	Internal Batteries 799190		GEB331, Li-Ion battery, 12.2V/2.8Ah, rechargeable, for CS20.	\$ 190
	External Batteries 818916		GEB371, External universal battery, Li-Ion, 13 V, 250 Wh, rechargeable	\$ 570
	807696		GEV270, Power supply unit for TPS/GNSS/LS. For indoor use only. Input 100-240VAC to output 13.2VDC, with c	\$ 270
<div style="background-color: black; color: white; padding: 5px;"> Requires a GEV52 or GEV187 Cable. </div>				

LS Digital Levels

Battery Chargers



Professional 5000

799187	GKL341, Charger Prof 5000. Charges up to 4 batteries, including power cable.	\$	750
734389	GDC221, Car adapter for the GKL221 charger. Allows the use of the GKL221 with a cigarette lighter; 12V24V DC	\$	200
774437	GEV242, Charger for GEB371 external battery.	\$	290

Professional 3000

799185	GKL311, Single Charger Prof 3000. Charger for one Li-Ion battery including AC/DC adaptor and cigarette lighter	\$	140
--------	----------------------------------------------------------------------------------------------------------------	----	-----

Data Storage and Data Transfer

Memory Devices

765199	MS1, USB memory stick, 1GB industrial grade	\$	170
--------	---------------------------------------------	----	-----

Cables

Connector Types

Name	Used on	
Lemo1 5-pin	Battery / External power	
Lemo1 8-pin	LS15 Digital Level	
USB A	PC / Laptop	
9-pin RS232 serial	PC / Laptop	
USB mini	LS10 and LS15 Digital Levels	

Cables for LS10

764700	GEV223, Data transfer cable for connecting CS10/CS15 field controller to PC (USB A to USB mini connector).	\$	30
--------	------------------------------------------------------------------------------------------------------------	----	----

Cables for LS15



439038	GEV71, 4m car battery cable, connects all battery cables to 12V car battery.	\$	340
733282	GEV162, 2.8m Data transfer cable connects GS10/GS15 receiver (port1) or CS10/CS15 controller (with Lemo CB	\$	200
758469	GEV219, Power Cable, 1.8m, connects GS10/GS15, CS10/CS15 (with Lemo CBC01 connector module) TS/TM5	\$	200
759257	GEV220, Y-cable, connects TS30/TM30 to PC (9-pin RS232 serial) and external battery, 2m.	\$	400
764700	GEV223, Data transfer cable for connecting CS10/CS15 field controller to PC (USB A to USB mini connector).	\$	30
767899	GEV234, 1.65m USB connection cable. (Lemo to USB A)1.) to connect the CS field controller to GS10/GS15 re	\$	210
771057	GEV236, Y-cable, connects TS30/TM30 to TCPS radio and external battery, 2m.	\$	540
793364	GEV261, USB data X-cable for communication to PC, connects Lemo1 8-pin to PC USB A connector (USB data)	\$	540
806095	GEV269, Serial Data transfer cable, converter cable USB A to Lemo1 8-pin, connects TS to PC, PC driver includ	\$	200

LS Digital Level Accessories

Sunshade

636977	G5B5, Sunshade for digital levels	\$	30
--------	-----------------------------------	----	----

Display Protection Foil Sets



813781	SPF05, 5" WVGA display foils for CS20 field controller and TS16/MS60/TS60 instruments	\$	30
--------	---------------------------------------------------------------------------------------	----	----

Tripods




Tripods

328422	GST40, Tripod with rigid legs, with accessories.	\$	670
296632	GST20, Tripod Telescopic, with accessories.	\$	430
394752	GST20-9, Tripod, Telescopic, with accessories, without pouch	\$	390
667301	GST120-9, Tripod, Telescopic, selfclosing, with accessories, without pouch.	\$	390
332200	GST4, Tripod-star, for setting up tripods on hard and slippery surfaces.	\$	230

LS Digital Levels


Staffs				
	Professional 5000			
	560271	GPCL3, Invar Bar Code Leveling Rod, 3m, with circular level	\$	1,530
	560274	GPCL3, Invar Bar Code Leveling Rod, 3m, with circular level, with length calibration.	\$	2,550
	563659	GPCL2, Invar Bar Code Leveling Rod, 2m, with circular level	\$	1,210
	632313	GWCL92, Invar Bar Code Rod, 92cm, with circular level	\$	940
	563733	GWCL60, Invar Bar Code Scale, 60 cm	\$	270
	Professional 3000			
	522794	GKNL4M, Dual face levelling staff 4m, 3 sections, code/cm-graduation, with handles and circular bubble, in transp	\$	400
	522793	GKNL4F, Dual face levelling staff 13.3ft, 3 sections, code/ft graduation, with handles and circular bubble, in transp	\$	400
	667113	GTL4C, Dual Face Telescopic Leveling Rod, 4m long, 4-section, bar-coded with bag	\$	170
757761	GTL4M, Fiberglass telescopic staff, 4m, code/mm-graduations, clip-on bubble and protective bag	\$	340	
Staff Accessories				
197000	Base plate for GPLE and GPCL rods	\$	120	
555638	GSL3, Pair of struts for GPCL3/GPLE3N staff	\$	1,750	
555641	GVP469, Wooden Shipping Case for GPLE2N/GPCL2	\$	870	
555642	GVP470' Wooden Shipping Case for GPLE3N/GPCL3	\$	980	
Customer Care Packages - LS Digital levels				
	Basic			
	6009914	1 yr LS10/15 Basic CCP	\$	240
	6009915	2 yr LS10/15 Basic CCP	\$	440
	6009916	3 yr LS10/15 Basic CCP	\$	640
	6011261	5 yr LS10/15 Basic CCP	\$	700
	Blue			
	6009917	1 yr LS10/15 Blue CCP	\$	560
	6009918	2 yr LS10/15 Blue CCP	\$	1,020
	6009919	3 yr LS10/15 Blue CCP	\$	1,460
	6011262	5 yr LS10/15 Blue CCP	\$	2,000
Bronze				
6009920	2 yr LS10/15 Bronze CCP	\$	1,000	
6009921	3 yr LS10/15 Bronze CCP	\$	1,640	
6011263	5 yr LS10/15 Bronze CCP	\$	1,960	
6009922	1 yr Ext. LS10/15 Bronze CCP	\$	800	
Silver				
6009927	2 yr LS10/15 Silver CCP	\$	1,580	
6009928	3 yr LS10/15 Silver CCP	\$	2,460	
6011264	5 yr LS10/15 Silver CCP	\$	3,260	
6009929	1 yr Ext. LS10/15 Silver CCP	\$	1,120	
Gold				
6009930	3 yr LS10/15 Gold CCP	\$	3,150	
6011625	5 yr LS10/15 Gold CCP	\$	4,020	


Nova MS60 & TS60 & Acc


USA	Effective Date	6-Aug-18			\$USD
	Product Code	Sub-Code	Description		Price
Leica Nova TPS (MS60 & TS60)					
	<p>MS60 MultiStation and TS60 Total Stations are delivered with two 5" WVGA colour touch screen, standard applications, user manual, Documentation USB Card and upright container .</p>				
Leica MS60 - MultiStation					
	MS60 MultiStation				
	822431	MS60 1" (0.3mgon), MultiStation with reflectorless EDM (R2000) and high-speed 1000Hz EDM, automatic target recognition, PowerSearch, 5MP imaging, overview camera, 30x telescope camera, Autofocus, WLAN, Bluetooth, RS232/USB interface, RadioHandle interface, USB stick/SD card interface, 2GB eMMC Flash Memory, 1GB SDRAM, 2 keyboards with 5" WVGA color touch screen, laser plummet, Quick Guide and upright container.	\$	51,100	
Leica TS60i - Total Station					
	TS60i Total Station				
	822429	TS60 0.5" (0.15mgon), total station with reflectorless EDM (R1000), automatic target recognition, PowerSearch, PowerSearch, WLAN, Bluetooth, RS232/USB interface, RadioHandle interface, USB stick/SD card interface, 2GB eMMC Flash Memory, 1GB SDRAM, 2 keyboards with 5" WVGA color touch screen, laser plummet, Quick Guide and upright container.	\$	44,990	
Calibration Certificates					
	Calibration Certificates				
	812535	Calibration Cert. "Gold", Angle	\$	1,230	
	812536	Calibration Cert. "Gold", A + Dist IR	\$	2,190	
	812539	Calibration Cert. "Gold", A + Dist, IR & RL	\$	2,570	
	812542	Calibration Cert. "Silver", Angle	\$	410	
	812543	Calibration Cert. "Silver", A + Dist, IR	\$	1,030	
	812544	Calibration Cert. "Silver", A + Dist, IR&RL	\$	1,240	
	812541	Calibration Certificate "Blue" (incl. on myWorld)	\$	N/C	
<p>Calibration Certificate "Blue" (812541) is always included in initial order (myWorld download).</p>					
	Camera Calibration				
	793861	Overview Camera calibration workflow. Article ensures the predelivery logistics for the calibration of the Overview	\$	320	
<p>3rd party fees for instrument calibration and licensing of software are not included</p>					
Leica Captivate Application Programs & Software Options					
	Leica Captivate Software for TS/MS				
	827646	Leica Captivate - Measure & Stakeout for TS/MS	\$	1,500	
	Optional Applications for Leica Captivate for TS				
	827650	TS/MS - Area Division	\$	210	
	827651	TS/MS - Stake DTM	\$	250	
	827648	TS/MS - Stake and Measure to a Line	\$	250	
	827649	TS/MS - Measure to Plane / Grid	\$	460	
	827653	TS/MS - Measure and Stake to Road	\$	930	
	827654	TS/MS - Measure and Stake to Tunnel	\$	1,240	
	827655	TS/MS - Measure and Stake to Rail	\$	1,130	
	827658	TS/MS - Sets of Angles	\$	360	
	827652	TS/MS - Volume Calculations	\$	310	
	827656	TS/MS - Hidden Point	\$	310	
	827657	TS/MS - Traverse	\$	400	
	827659	TS/MS - QuickVolume	\$	770	
	834226	TS/MS - Set Orientation	\$	150	
	834229	TS/MS - Auto Setup	\$	310	
	834230	TS/MS - Monitoring	\$	1,540	
	836522	#N/A	\$	#N/A	
	839678	TS/MS - Inspect Surfaces - (Captivate)	\$	1,540	
	834230	TS/MS - Monitoring	\$	1,540	
	849507	TS/MS - Anti Theft Alarm	\$	210	
	850622	TS/MS - ESRI Shapefile Exporter	\$	410	
	865037	TS/MS - Pipeline	\$	2,400	
	847952	TS/MS - Inventory	\$	620	
	870554	TS/MS - Quick Ground (Mtl)	\$	130	
	870551	TS/MS - Trig Level (Mtl)	\$	150	
	Optional Licences for Leica Captivate for TS				
	827661	TS/MS - Leica Active Assist	\$	100	
	827662	TS/MS - Leica Exchange	\$	50	













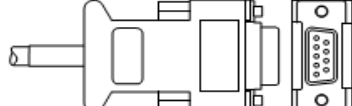
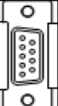




<i>Additional Software Options</i>			
827664	GEOCOM Robotics - TS/MS	\$	750

Batteries				
	Internal Batteries			
	793975	GEB242, Large Li-Ion Battery 14.8V/5.8Ah (requires pro charger) for MS/TS/TM50 instruments	\$	380
	External Batteries			
818916	GEB371, External universal battery, Li-Ion, 13 V, 250 Wh, rechargeable	\$	570	
807696	GEV270, Power supply unit for TPS/GNSS/LS. For indoor use only. Input 100-240VAC to output 13.2VDC, with c	\$	270	
Requires a GEV52 or GEV187 Cable.				




Battery Chargers				
	Professional 5000			
	799187	GKL341, Charger Prof 5000. Charges up to 4 batteries, including power cable.	\$	750
	734389	GDC221, Car adapter for the GKL221 charger. Allows the use of the GKL221 with a cigarette lighter; 12V24V DC	\$	200
774437	GEV242, Charger for GEB371 external battery.	\$	290	
Professional 3000				
799185	GKL311, Single Charger Prof 3000. Charger for one Li-Ion battery including AC/DC adaptor and cigarette lighter	\$	140	

Data Storage and Data Transfer				
	Memory Devices			
	767856	MSD1000, SD Memory Card 1GB for CS and GS units	\$	200
	789139	MSD08, SD memory card 8GB	\$	500
765199	MS1, USB memory stick, 1GB industrial grade	\$	170	
Card Reader and Adapter				
767895	MCR7, Card Reader for SD/CF Cards	\$	670	







Cables				
Connector Types				
	Name	Used on		
	Lemo0 5-pin	Leica Viva TPS		
	Lemo1 5-pin	Battery / External power		
	Lemo1 8-pin	Leica Viva field controllers / Leica Nova TPS		
	Lemo1 8-pin	External TS radios		
	USB A	PC / Laptop		
	USB Mini	Leica Viva TPS		
	9-pin RS232 serial	PC / Laptop		
	Cables			
	439038	GEV71, 4m car battery cable, connects all battery cables to 12V car battery.	\$	340
	733282	GEV162, 2.8m Data transfer cable connects GS10/GS15 receiver (port1) or CS10/CS15 controller (with Lemo CB	\$	200
	733283	GEV163, Data transfer cable, connects CS10/CS15 field controller with CSC01 Lemo connector to TS30/TM30, 1	\$	200
	758469	GEV219, Power Cable, 1.8m, connects GS10/GS15, CS10/CS15 (with Lemo CBC01 connector module) TS/TM5	\$	200
	759257	GEV220, Y-cable, connects TS30/TM30 to PC (9-pin RS232 serial) and external battery, 2m.	\$	400
	767899	GEV234, 1.65m USB connection cable. (Lemo to USB A)1.) to connect the CS field controller to GS10/GS15 re	\$	210
	771057	GEV236, Y-cable, connects TS30/TM30 to TCPS radio and external battery, 2m.	\$	540
772807	GEV237, 1.65 m USB connection cable, to connect GS15/GS10 receiver to Lemo port on a CS field controller (w	\$	200	
793364	GEV261, USB data X-cable for communication to PC, connects Lemo1 8-pin to PC USB A connector (USB data)	\$	540	
806095	GEV269, Serial Data transfer cable, converter cable USB A to Lemo1 8-pin, connects TS to PC, PC driver includ	\$	200	

Radio Modems				
	RH16 Radio Handle			
	788853	RH16, Radio Handle with integrated bluetooth module and radio antenna. Used as radio modem for Leica Nova ε \$	1,540	
Used as radio modem for Leica Viva TPS and Leica Novainstruments. Establishes communication to CS15/CS20/CS35 field controller or external radio modem TCPS29/30 (Freq. Range 2402 - 2480MHz).				
TCPS29 Radio Modem				
788854	TCPS29, Bluetooth radio modem with antenna and user manual	\$	1,540	
used as external radio modem for Leica Viva TPS and Leica Nova instruments or PCs (Freq. Range 2402 - 2480MHz).				
TCPS29 Radio Modem Accessory				
734163	GHT43, Adapter for mounting TCPS radio module on GST20/GST120 tripod.	\$	70	
Cables for TCPS Radio Modems and CS20 Field Controller				
734697	GEV186, Y-cable, connects TPS1200+ to TCPS28 and external battery.	\$	400	
707525	GK1, Lemo Canon converter 30°, for PC (Lemo to RS232) to be used with GEV186 cable.	\$	100	
771057	GEV236, Y-cable, connects TS30/TM30 to TCPS radio and external battery, 2m.	\$	540	

Nova MS60 & TS60 & Acc

Optical Accessories			
	Eyepiece		
	377802	FOK53, Magnification eyepiece, additional eyepiece for increasing telescope magnification to 42x (modification in	\$ 800
	Modification in a workshop necessary.		
	308838	FOK53, Magnification eyepiece, additional eyepiece for increasing telescope magnification to 42x	\$ 940
	Modification ex factory. Can only be ordered with a new instrument.		
	793979	GFZ3, Diagonal eyepiece for telescope (for FlexLine and TS06plus/TS09plus).	\$ 1,210
	376236	GOK6, Eyepiece for steep sights, with joint allowing variable sighting angle.	\$ 2,410
	Autocollimation Set		
	199899	GOA2, Autocollimation eyepiece.	\$ 1,610
	394787	GEB62, Plug-in lamp, with cable for autocollimation eyepiece.	\$ 610
394792	GEB63, Battery box for autocollimation eyepiece and eyepiece lamp.	\$ 1,010	
Objective			
743504	GVO13, Objective solar filter for TPS instruments.	\$ 400	
Tribrachs			
	Tribrachs		
	777508	GDF321, Tribrach without optical plummet	\$ 390
	777509	GDF322, Tribrach with optical plummet	\$ 480
	Tribrach Accessories		
	667718	GHM007, Instruments height meter	\$ 40
722045	GHT196, Distance holder for height meter.	\$ 20	
Tripods			
	Tripods		
296632	GST20, Tripod Telescopic, with accessories.	\$ 430	
394752	GST20-9, Tripod, Telescopic, with accessories, without pouch	\$ 390	
667301	GST120-9, Tripod, Telescopic, selfclosing, with accessories, without pouch.	\$ 390	
332200	GST4, Tripod-star, for setting up tripods on hard and slippery surfaces.	\$ 230	
Reflector Poles			
	Standard Poles		
	754391	GLS12, telescopic aluminum total station reflector pole with stub. Snap locks at 2.00m for GNSS antennas. Includ	\$ 280
	754389	GLS12F, 2m Telescopic aluminium pole, US Feet graduations	\$ 280
	766359	GLS31, telescopic carbon total station reflector with stub. Snap locks at 2.00m for GNSS antennas. Includes circ	\$ 560
	385500	GLS11, Reflector pole, telescopic, with circular bubble, cm and ft graduation, extends to 2,15m	\$ 230
	667309	GLS111, BASIC Reflector pole, with bull's-eye bubble, cm/ft graduation, extends to 2.60m, with red/white 0.20m	\$ 260
	667310	GLS112, BASIC, Reflector pole, with bull's-eye bubble, cm/ft graduation, extends to 3.65m, with red/white 0.20m	\$ 290
	403428	GZW412, Extension 1m long, for reflector pole GLS11 and carriers	\$ 130
	Hidden Point Pole		
	742329	GMP112, Hidden Point Pole Extension for GMP111. Includes miniprism with holder and 30cm adapter pole.	\$ 270
	Mini Pole		
	403427	GLS14, Mini reflector pole, (prism/target 20cm over point), with circular bubble.	\$ 120

Nova MS60 & TS60 & Acc

Carriers				
	Carriers for Reflectors			
	667313	GRT144, carrier for GPS antenna, EDM reflectors and target plates, pale green.	\$	150
	667316	SNLL121, Sensoradir laser plummet, pale green, with user manual	\$	1,070
	428340	GZR3, Precision carrier, with plate level and optical plummet.	\$	1,290
	725566	GRZ103, Carrier, with plate level and optical plummet for reflectors, pale green.	\$	340
667217	GAD31, Screw-to-stub adapter for fitting GPS antenna on carriers with stub and poles with stub.	\$	170	
Reflectors				
	Circular Reflectors			
	641617	GPR121, PRO, Circular prism, with holder and target plate	\$	400
	362830	GPR1, Circular prism, in black housing.	\$	240
	362820	GPH1, Single-prism holder.	\$	80
362823	GZT4, Target plate, for GPH1.	\$	70	
	360° Reflectors			
	754384	GRZ122, 360° reflector with 5/8" thread adapter for mounting of GPS antenna.	\$	1,750
	639985	GRZ4, 360° reflector.	\$	995
	644327	GRZ101, 360° mini prism with 1/4" thread fitting.	\$	740
	756637	MPR122, 360° Reflector PRO	\$	1,670
742006	GAD103, Adapter for attaching GRZ101 to all poles with Leica Geosystems stub.	\$	70	
	Precision Reflectors			
	555631	GPH1P, Single-prism precision reflector.	\$	1,480
	Mini Reflectors			
	641662	GMP101, Mini prism, incl. bubble, target plate and spike, in bag, also suitable for GLS11 and GRT44 (same height)	\$	270
	641762	GMP104, Mini prism, with L-bar, for fixed installations.	\$	150
	Reflector Tape			
	763532	GZM29, Reflective tape, 20x20mm for short range, pack of 20 pieces.	\$	70
	763533	GZM30, Reflective tape, 40x40mm for medium range, pack of 20 pieces.	\$	90
	763534	GZM31, Reflective tape, 60x60mm for long range, pack of 20 pieces.	\$	110
Pen and Display Foils				
	Extra Pen			
	813914	GDZ71, Pen with tether clip interface for CS20 field controller and TS16/MS60/TS60 Instruments	\$	10
	Display Protection Foil Sets			
	813781	SPF05, 5" WVGA display foils for CS20 field controller and TS16/MS60/TS60 instruments	\$	30
Containers				
	Additional Containers			
	727589	CTC102, Soft bag with shoulder strap, for prism station, consist of tribrach, prism carrier or laser plummet and prism	\$	70
	667451	GVP609, Container for 2 Circular Prisms - GPR111/112, 2 Laser Plummetts and 2 Tribrachs	\$	170
	833516	GVP716, Backpack carrying systems for all large TPS and GNSS containers.	\$	260
	833517	GVP717, Sidebag for container GVP721/722/723/725.	\$	100
	833518	GVP718, Basic backstrap for container GVP721/722/723/725.	\$	100
	833519	GVP719, Shoulderstrap for container GVP721/722/723/725.	\$	80
	817055	GVP722, Hard container for SmartAntenna, CS Field Controller and accessories for a SmartPole and SmartStatic	\$	230
	817057	GVP724, Small-sized hard container for 360° prism and controller for TS Robotic Pole setup	\$	140
Customer Care Packages - Nova TS/MS60				
	Basic			
	6009390	1 yr Nova (TS/MS60) Basic CCP	\$	640
	6009391	2 yr Nova (TS/MS60) Basic CCP	\$	1,160
	6009392	3 yr Nova (TS/MS60) Basic CCP	\$	1,650
	6009393	5 yr Nova (TS/MS60) Basic CCP	\$	2,750
	Blue			
	6009398	1 yr Nova (TS/MS60) Blue CCP	\$	1,810
	6009399	2 yr Nova (TS/MS60) Blue CCP	\$	3,260
	6009400	3 yr Nova (TS/MS60) Blue CCP	\$	4,620
	6009401	5 yr Nova (TS/MS60) Blue CCP	\$	7,710
	Bronze			
	6009406	2 yr Nova (TS/MS60) Bronze CCP	\$	1,160
	6009407	3 yr Nova (TS/MS60) Bronze CCP	\$	2,430
	6009408	5 yr Nova (TS/MS60) Bronze CCP	\$	4,740
	6009409	1 yr Ext. Nova (TS/MS60) Bronze CCP	\$	1,420
	Silver			
	6009414	2 yr Nova (TS/MS60) Silver CCP	\$	3,260
	6009415	3 yr Nova (TS/MS60) Silver CCP	\$	5,400
	6009416	5 yr Nova (TS/MS60) Silver CCP	\$	9,700
	6009417	1 yr Ext. Nova (TS/MS60) Silver CCP	\$	2,590
	Gold			
	6009422	3 yr Nova (TS/MS60) Gold CCP	\$	6,860
	6009423	5 yr Nova (TS/MS60) Gold CCP	\$	11,270

Viva TS16 Total Stations & Acc

USA

Effective Date
Product Code

6-Aug-18
Sub-Code

Description

\$USD
Price

Leica Viva TPS (TS16) Models



All TS16 models are delivered with one 5" WVGA colour touch screen, standard applications, user manual, Documentation USB Card and container GVP725.

Leica TS16 A Automated Total Stations

TS16 A PinPoint R500 Automatic Total Stations

822461	TS16 A 1" (0.3mgon) R500, total station with automatic target recognition, reflectorless R500 EDM, electronic gui	\$ 27,450
822463	TS16 A 2" (0.6mgon) R500, total station with automatic target recognition, reflectorless R500 EDM, electronic gui	\$ 24,530
822465	TS16 A 3" (1.0mgon) R500, total station with automatic target recognition, reflectorless R500 EDM, electronic gui	\$ 22,570
822466	TS16 A 5" (1.5mgon) R500, total station with automatic target recognition, reflectorless R500 EDM, electronic gui	\$ 21,100

TS16 A PinPoint R1000 Automatic Total Stations

822455	TS16 A 1" (0.3mgon) R1000, total station with automatic target recognition, reflectorless R1000 EDM, electronic gui	\$ 29,450
822456	TS16 A 2" (0.6mgon) R1000, total station with automatic target recognition, reflectorless R1000 EDM, electronic gui	\$ 26,500
822458	TS16 A 3" (1.0mgon) R1000, total station with automatic target recognition, reflectorless R1000 EDM, electronic gui	\$ 24,530
822459	TS16 A 5" (1.5mgon) R1000, total station with automatic target recognition, reflectorless R1000 EDM, electronic gui	\$ 23,060

Leica TS16 P Power Search Total Stations

TS16 P PinPoint R500 Automated Total Stations with Power Search

822449	TS16 P 1" (0.3mgon) R500, total station with automatic target recognition, reflectorless R500 EDM, electronic gui	\$ 29,950
822451	TS16 P 2" (0.6mgon) R500, total station with PowerSearch, automatic target recognition, reflectorless R500 EDM	\$ 26,990
822453	TS16 P 3" (1.0mgon) R500, total station with PowerSearch, automatic target recognition, reflectorless R500 EDM	\$ 25,020
822454	TS16 P 5" (1.5mgon) R500, total station with PowerSearch, automatic target recognition, reflectorless R500 EDM	\$ 23,550

TS16 P PinPoint R1000 Automated Total Stations with Power Search

822445	TS16 P 1" (0.3mgon) R1000, total station with PowerSearch, automatic target recognition, reflectorless R1000 EDM	\$ 31,940
822446	TS16 P 2" (0.6mgon) R1000, total station with PowerSearch, automatic target recognition, reflectorless R1000 EDM	\$ 28,950
822447	TS16 P 3" (1.0mgon) R1000, total station with PowerSearch, automatic target recognition, reflectorless R1000 EDM	\$ 26,990
822448	TS16 P 5" (1.5mgon) R1000, total station with PowerSearch, automatic target recognition, reflectorless R1000 EDM	\$ 25,510

Leica TS16 I Imaging Total Stations

TS16 I PinPoint R500 Imaging Total Stations

822436	TS16 I 1" (0.3mgon) R500, total station with 5 MP overview camera, PowerSearch, automatic target recognition,	\$ 34,450
822437	TS16 I 2" (0.6mgon) R500, total station with 5 MP overview camera, PowerSearch, automatic target recognition,	\$ 31,560
822438	TS16 I 3" (1.0mgon) R500, total station with 5 MP overview camera, PowerSearch, automatic target recognition,	\$ 29,500
822441	TS16 I 5" (1.5mgon) R500, total station with 5 MP overview camera, PowerSearch, automatic target recognition,	\$ 27,950

TS16 I PinPoint R1000 Imaging Total Stations

822432	TS16 I 1" (0.3mgon) R1000, total station with 5 MP overview camera, PowerSearch, automatic target recognition	\$ 36,530
822433	TS16 I 2" (0.6mgon) R1000, total station with 5 MP overview camera, PowerSearch, automatic target recognition	\$ 33,620
822434	TS16 I 3" (1.0mgon) R1000, total station with 5 MP overview camera, PowerSearch, automatic target recognition	\$ 31,560
822435	TS16 I 5" (1.5mgon) R1000, total station with 5 MP overview camera, PowerSearch, automatic target recognition	\$ 30,010

Second Keyboard

2nd Keyboard - Color Touch Screen



813810	GTS36, 2nd keyboard with full 5" WVGA colour touch screen, for TS16 instruments, for telescope position 2, fitted	\$ 920
--------	-------------------------------------------------------------------------------------------------------------------	--------

Calibration Certificates

Calibration Certificates



812535	Calibration Cert. "Gold", Angle	\$ 1,230
812536	Calibration Cert. "Gold", A + Dist IR	\$ 2,190
812539	Calibration Cert. "Gold", A + Dist, IR & RL	\$ 2,570
812542	Calibration Cert. "Silver", Angle	\$ 410
812543	Calibration Cert. "Silver", A + Dist, IR	\$ 1,030
812544	Calibration Cert. "Silver", A + Dist, IR&RL	\$ 1,240
812541	Calibration Certificate "Blue" (incl. on myWorld)	\$ N/C

Calibration Certificate "Blue" (812541) is always included in initial order (myWorld download).

Camera Calibration

793861	Overview Camera calibration workflow. Article ensures the predelivery logistics for the calibration of the Overview	\$ 320
--------	---------------------------------------------------------------------------------------------------------------------	--------

3rd party fees for instrument calibration and licensing of software are not included

Leica Captivate Application Programs & Software Options



Leica Captivate Software for TS/MS

827646	Leica Captivate - Measure & Stakeout for TS/MS	\$	1,500
--------	------------------------------------------------	----	-------

Optional Applications for Leica Captivate for TS/MS

827650	TS/MS - Area Division	\$	210
827651	TS/MS - Stake DTM	\$	250
827648	TS/MS - Stake and Measure to a Line	\$	250
827649	TS/MS - Measure to Plane / Grid	\$	460
827653	TS/MS - Measure and Stake to Road	\$	930
827654	TS/MS - Measure and Stake to Tunnel	\$	1,240
827655	TS/MS - Measure and Stake to Rail	\$	1,130
827658	TS/MS - Sets of Angles	\$	360
827652	TS/MS - Volume Calculations	\$	310
827656	TS/MS - Hidden Point	\$	310
827657	TS/MS - Traverse	\$	400
827659	TS/MS - QuickVolume	\$	770
834226	TS/MS - Set Orientation	\$	150
834229	TS/MS - Auto Setup	\$	310
834230	TS/MS - Monitoring	\$	1,540
836522	#N/A	\$	#N/A
839678	TS/MS - Inspect Surfaces - (Captivate)	\$	1,540
834230	TS/MS - Monitoring	\$	1,540
849507	TS/MS - Anti Theft Alarm	\$	210
850622	TS/MS - ESRI Shapefile Exporter	\$	410
865037	TS/MS - Pipeline	\$	2,400
847952	TS/MS - Inventory	\$	620
870554	TS/MS - Quick Ground (Mtl)	\$	130
870551	TS/MS - Trig Level (Mtl)	\$	150

Optional Licences for Leica Captivate for TS

827661	TS/MS - Leica Active Assist	\$	100
827662	TS/MS - Leica Exchange	\$	50

Additional Software Options

827664	GEOCOM Robotics - TS/MS	\$	750
--------	-------------------------	----	-----

Batteries

Internal Batteries



733270	GEB221, Lithium-Ion battery, 7.4V/4.4Ah, chargeable.	\$	190
793973	GEB222, Lithium-Ion battery. 7.4V/6Ah TS battery	\$	230

External Batteries

818916	GEB371, External universal battery, Li-Ion, 13 V, 250 Wh, rechargeable	\$	570
807696	GEV270, Power supply unit for TPS/GNSS/LS. For indoor use only. Input 100-240VAC to output 13.2VDC, with c	\$	270

Requires a GEV52 or GEV187 Cable.

Battery Chargers

Professional 5000



799187	GKL341, Charger Prof 5000. Charges up to 4 batteries, including power cable.	\$	750
734389	GDC221, Car adapter for the GKL221 charger. Allows the use of the GKL221 with a cigarette lighter; 12V24V DC	\$	200
774437	GEV242, Charger for GEB371 external battery.	\$	290

Professional 3000

799185	GKL311, Single Charger Prof 3000. Charger for one Li-Ion battery including AC/DC adaptor and cigarette lighter	\$	140
--------	----------------------------------------------------------------------------------------------------------------	----	-----

Data Storage and Data Transfer

Memory Devices



767856	MSD1000, SD Memory Card 1GB for CS and GS units	\$	200
789139	MSD08, SD memory card 8GB	\$	500
765199	MS1, USB memory stick, 1GB industrial grade	\$	170

Card Reader and Adapter

767895	MCR7, Card Reader for SD/CF Cards	\$	670
--------	-----------------------------------	----	-----

Cables

Connector Types

Name	Used on	
Lemo0 5-pin	Leica Viva TPS	
Lemo1 5-pin	Battery / External power	
Lemo1 8-pin	Leica Viva field controllers / Leica Nova TPS	
Lemo1 8-pin	External TS radios	
USB A	PC / Laptop	
USB Mini	Leica Viva TPS	
9-pin RS232 serial	PC / Laptop	

Cables



409678	GEV52, Cable, connects TPS or DNA to external battery.	\$	170
439038	GEV71, 4m car battery cable, connects all battery cables to 12V car battery.	\$	340
563625	GEV102, Data transfer cable, connects a TPS or DNA to PC (9-pin RS232 serial), 2m.	\$	130
734698	GEV187, Y-cable, connects TPS1200+ to PC (9-pin RS232 serial) and external battery, 2m.	\$	400
756367	GEV217, Data transfer cable, connects CS10/CS15 field controller with CBC01 Lemo connector to TPS1200+, 1.	\$	200
764700	GEV223, Data transfer cable for connecting CS10/CS15 field controller to PC (USB A to USB mini connector).	\$	30
806093	GEV267, Serial Data transfer Cable, converter cable USB A to Lemo0 5-pin, connects PC to Leica Viva Total Sta	\$	200
707525	GK1, Lemo Canon converter 30°, for PC (Lemo to RS232) to be used with GEV186 cable.	\$	100

Radio Modems



RH16 Radio Handle

788853	RH16, Radio Handle with integrated bluetooth module and radio antenna. Used as radio modem for Leica Nova ε	\$	1,540
	Used as radio modem for Leica Viva TPS and Leica Novainstruments. Establishes communication to CS15/CS20/CS35 field controller or external radio modem TCPS29/30 (Freq. Range 2402 - 2480MHz).		

TCPS29 Radio Modem

788854	TCPS29, Bluetooth radio modem with antenna and user manual used as external radio modem for Leica Viva TPS and Leica Nova instruments or PCs (Freq. Range 2402 - 2480MHz).	\$	1,540
--------	----------------------------------------------------------------------------------------------------------------------------------------------------------------------------	----	-------

TCPS29 Radio Modem Accessory

734163	GHT43, Adapter for mounting TCPS radio module on GST20/GST120 tripod.	\$	70
--------	-----------------------------------------------------------------------	----	----

Cables for TCPS Radio Modems and CS20 Field Controller

734697	GEV186, Y-cable, connects TPS1200+ to TCPS28 and external battery.	\$	400
707525	GK1, Lemo Canon converter 30°, for PC (Lemo to RS232) to be used with GEV186 cable.	\$	100
771057	GEV236, Y-cable, connects TS30/TM30 to TCPS radio and external battery, 2m.	\$	540

Optical Accessories



Eyepiece

377802	FOK53, Magnification eyepiece, additional eyepiece for increasing telescope magnification to 42x (modification ir	\$	800
--------	-------------------------------------------------------------------------------------------------------------------	----	-----

Modification in a workshop necessary.

308838	FOK53, Magnification eyepiece, additional eyepiece for increasing telescope magnification to 42x	\$	940
--------	--------------------------------------------------------------------------------------------------	----	-----

Modification ex factory. Can only be ordered with a new instrument.

793979	GFZ3, Diagonal eyepiece for telescope (for FlexLine and TS06plus/TS09plus).	\$	1,210
376236	GOK6, Eyepiece for steep sights, with joint allowing variable sighting angle.	\$	2,410

Autocollimation Set

199899	GOA2, Autocollimation eyepiece.	\$	1,610
394787	GEB62, Plug-in lamp, with cable for autocollimation eyepiece.	\$	610
394792	GEB63, Battery box for autocollimation eyepiece and eyepiece lamp.	\$	1,010

Objective

743504	GVO13, Objective solar filter for TPS instruments.	\$	400
--------	----------------------------------------------------	----	-----

Viva TS16 Total Stations & Acc

Tribrachs



Tribrachs

777508	GDF321, Tribrach without optical plummet	\$	390
777509	GDF322, Tribrach with optical plummet	\$	480

Tribrach Accessories

667718	GHM007, Instruments height meter	\$	40
722045	GHT196, Distance holder for height meter.	\$	20

Tripods

Tripods

296632	GST20, Tripod Telescopic, with accessories.	\$	430
394752	GST20-9, Tripod, Telescopic, with accessories, without pouch	\$	390
667301	GST120-9, Tripod, Telescopic, selfclosing, with accessories, without pouch.	\$	390
332200	GST4, Tripod-star, for setting up tripods on hard and slippery surfaces.	\$	230

Reflector Poles



Standard Poles

754391	GLS12, telescopic aluminum total station reflector pole with stub. Snap locks at 2.00m for GNSS antennas. Includ	\$	280
754389	GLS12F, 2m Telescopic aluminium pole, US Feet graduations	\$	280
766359	GLS31, telescopic carbon total station reflector with stub. Snap locks at 2.00m for GNSS antennas. Includes circu	\$	560
385500	GLS11, Reflector pole, telescopic, with circular bubble, cm and ft graduation, extends to 2,15m	\$	230
667309	GLS111, BASIC Reflector pole, with bull's-eye bubble, cm/ft graduation, extends to 2.60m, with red/white 0.20m g	\$	260
667310	GLS112, BASIC, Reflector pole, with bull's-eye bubble, cm/ft graduation, extends to 3.65m, with red/white 0.20m	\$	290
403428	GZW412, Extension 1m long, for reflector pole GLS11 and carriers	\$	130

Hidden Point Pole

742329	GMP112, Hidden Point Pole Extension for GMP111. Includes miniprism with holder and 30cm adapter pole.	\$	270
--------	-------------------------------------------------------------------------------------------------------	----	-----

Mini Pole

403427	GLS14, Mini reflector pole, (prism/target 20cm over point), with circular bubble.	\$	120
--------	-----------------------------------------------------------------------------------	----	-----

Carriers



Carriers for Reflectors

667313	GRT144, carrier for GPS antenna, EDM reflectors and target plates, pale green.	\$	150
667316	SNLL121, Sensoradir laser plummet, pale green, with user manual	\$	1,070
428340	GZR3, Precision carrier, with plate level and optical plummet.	\$	1,290
725566	GRZ103, Carrier, with plate level and optical plummet for reflectors, pale green.	\$	340
667217	GAD31, Screw-to-stub adapter for fitting GPS antenna on carriers with stub and poles with stub.	\$	170

Reflectors



Circular Reflectors

641617	GPR121, PRO, Circular prism, with holder and target plate	\$	400
362830	GPR1, Circular prism, in black housing.	\$	240
362820	GPH1, Single-prism holder.	\$	80
362823	GZT4, Target plate, for GPH1.	\$	70



360° Reflectors

754384	GRZ122, 360° reflector with 5/8" thread adapter for mounting of GPS antenna.	\$	1,750
639985	GRZ4, 360° reflector.	\$	995
644327	GRZ101, 360° mini prism with 1/4" thread fitting.	\$	740
756637	MPR122, 360° Reflector PRO	\$	1,670
742006	GAD103, Adapter for attaching GRZ101 to all poles with Leica Geosystems stub.	\$	70

Precision Reflectors

555631	GPH1P, Single-prism precision reflector.	\$	1,480
--------	------------------------------------------	----	-------

Mini Reflectors

641662	GMP101, Mini prism, incl. bubble, target plate and spike, in bag, also suitable for GLS11 and GRT44 (same heig	\$	270
641762	GMP104, Mini prism, with L-bar, for fixed installations.	\$	150



Reflector Tape

763532	GZM29, Reflective tape, 20x20mm for short range, pack of 20 pieces.	\$	70
763533	GZM30, Reflective tape, 40x40mm for medium range, pack of 20 pieces.	\$	90
763534	GZM31, Reflective tape, 60x60mm for long range, pack of 20 pieces.	\$	110

Pen and Display Foils

Extra Pen

813914	GDZ71, Pen with tether clip interface for CS20 field controller and TS16/MS60/TS60 Instruments	\$	10
--------	------------------------------------------------------------------------------------------------	----	----

Display Protection Foil Sets

813781	SPF05, 5" WVGA display foils for CS20 field controller and TS16/MS60/TS60 instruments	\$	30
--------	---------------------------------------------------------------------------------------	----	----

Containers



Additional Containers

727589	CTC102, Soft bag with shoulder strap, for prism station, consist of tribrach, prism carrier or laser plummet and pri	\$	70
667451	GVP609, Container for 2 Circular Prisms - GPR111/112, 2 Laser Plummetts and 2 Tribrachs	\$	170
833516	GVP716, Backpack carrying systems for all large TPS and GNSS containers.	\$	260
833517	GVP717, Sidebag for container GVP721/722/723/725.	\$	100
833518	GVP718, Basic backstrap for container GVP721/722/723/725.	\$	100
833519	GVP719, Shoulderstrap for container GVP721/722/723/725.	\$	80
817055	GVP722, Hard container for SmartAntenna, CS Field Controller and accessories for a SmartPole and SmartStatic	\$	230
817057	GVP724, Small-sized hard container for 360° prism and controller for TS Robotic Pole setup	\$	140

Customer Care Packages - Viva TS16



Basic

6009501	1 yr Viva TPS (TS16) Basic CCP	\$ 640
6009502	2 yr Viva TPS (TS16) Basic CCP	\$ 1,160
6009503	3 yr Viva TPS (TS16) Basic CCP	\$ 1,650
6009504	5 yr Viva TPS (TS16) Basic CCP	\$ 2,750

Blue

6009517	1 yr Viva TPS (TS16) Blue CCP	\$ 1,500
6009518	2 yr Viva TPS (TS16) Blue CCP	\$ 2,710
6009519	3 yr Viva TPS (TS16) Blue CCP	\$ 3,850
6009520	5 yr Viva TPS (TS16) Blue CCP	\$ 6,430

Bronze

6009533	2 yr Viva TPS (TS16) Bronze CCP	\$ 1,770
6009534	3 yr Viva TPS (TS16) Bronze CCP	\$ 2,750
6009535	5 yr Viva TPS (TS16) Bronze CCP	\$ 4,840
6009536	1 yr Ext. Viva TPS (TS16) Bronze CCP	\$ 1,250

Silver

6009549	2 yr Viva TPS (TS16) Silver CCP	\$ 3,320
6009550	3 yr Viva TPS (TS16) Silver CCP	\$ 4,950
6009551	5 yr Viva TPS (TS16) Silver CCP	\$ 8,520
6009552	1 yr Ext. Viva TPS (TS16) Silver CCP	\$ 2,110

Gold

6009565	3 yr Viva TPS (TS16) Gold CCP	\$ 6,090
6009566	5 yr Viva TPS (TS16) Gold CCP	\$ 9,730

Viva TS13 Total Stations & Acc

USA	Effective Date	6-Aug-18			\$USD
	Product Code	Sub-Code	Description		Price
TS13 Robotic Total Station Models					
TS13 R500 Automatic Total Stations					
	870382		TS13 5" (1.5mgon) R500, total station with automatic target recognition ATR, reflectorless R500 EDM, electronic	\$	14,310
	870381		TS13 3" (1.0mgon) R500, total station with automatic target recognition ATR, reflectorless R500 EDM, electronic	\$	15,740
	870380		TS13 2" (0.6mgon) R500, total station with automatic target recognition ATR, reflectorless R1000 EDM, electronic	\$	17,650
	870379		TS13 1" (0.3mgon) R500, total station with automatic target recognition ATR, reflectorless R500 EDM, electronic	\$	20,030
TS13 R1000 Automatic Total Stations					
	870378		TS13 5" (1.5mgon) R1000, total station with automatic target recognition ATR, reflectorless R1000 EDM, electronic	\$	16,220
	870377		TS13 3" (1.0mgon) R1000, total station with automatic target recognition ATR, reflectorless R1000 EDM, electronic	\$	17,650
	870376		TS13 2" (0.6mgon) R1000, total station with automatic target recognition ATR, reflectorless R1000 EDM, electronic	\$	19,560
	870375		TS13 1" (0.3mgon) R1000, total station with automatic target recognition ATR, reflectorless R1000 EDM, electronic	\$	21,940

All TS13 models are delivered with Quick Guide, documentation USB card (833146) and container GVP725 (817058)

The TS13 basic models are equipped with a 4 button keyboard unit without a display

Hardware Options

Robotic Options

870392	TOP1, TS13 option to enable prism lock	\$	600
870393	TOP2, TS13 robotic option enabling SpeedSearch and Radio Handle interface	\$	3,580

Keyboards

Keyboard - Color Touch Screen



870391	GTS45, 2nd face keyboard with full 5" WVGA colour touch screen, for TS13 instrument, for telescope position 2,	\$	890
870393	TOP2, TS13 robotic option enabling SpeedSearch and Radio Handle interface	\$	3,580

Calibration Certificates

Calibration Certificates



812535	Calibration Cert. "Gold", Angle	\$	1,230
812536	Calibration Cert. "Gold", A + Dist IR	\$	2,190
812539	Calibration Cert. "Gold", A + Dist, IR & RL	\$	2,570
812542	Calibration Cert. "Silver", Angle	\$	410
812543	Calibration Cert. "Silver", A + Dist, IR	\$	1,030
812544	Calibration Cert. "Silver", A + Dist, IR&RL	\$	1,240
812541	Calibration Certificate "Blue" (incl. on myWorld)	\$	N/C

Calibration Certificate "Blue" (812541) is always included in initial order (myWorld download).

Leica Captivate Application Programs & Software Options

Leica Captivate Software for TS/MS



827646	Leica Captivate - Measure & Stakeout for TS/MS	\$	1,500
--------	------------------------------------------------	----	-------

Optional Applications for Leica Captivate for TS/MS

827650	TS/MS - Area Division	\$	210
827651	TS/MS - Stake DTM	\$	250
827648	TS/MS - Stake and Measure to a Line	\$	250
827649	TS/MS - Measure to Plane / Grid	\$	460
827653	TS/MS - Measure and Stake to Road	\$	930
827654	TS/MS - Measure and Stake to Tunnel	\$	1,240
827655	TS/MS - Measure and Stake to Rail	\$	1,130
827658	TS/MS - Sets of Angles	\$	360
827652	TS/MS - Volume Calculations	\$	310
827656	TS/MS - Hidden Point	\$	310
827657	TS/MS - Traverse	\$	400
827659	TS/MS - QuickVolume	\$	770
834226	TS/MS - Set Orientation	\$	150
834229	TS/MS - Auto Setup	\$	310
834230	TS/MS - Monitoring	\$	1,540
836522	TS/MS - Machine Control	\$	2,510
839678	TS/MS - Inspect Surfaces - (Captivate)	\$	1,540
834230	TS/MS - Monitoring	\$	1,540
849507	TS/MS - Anti Theft Alarm	\$	210
850622	TS/MS - ESRI Shapefile Exporter	\$	410
865037	TS/MS - Pipeline	\$	2,400
847952	TS/MS - Inventory	\$	620
870554	TS/MS - Quick Ground (Mtl)	\$	130
870551	TS/MS - Trig Level (Mtl)	\$	150

Optional Licences for Leica Captivate for TS

827661	TS/MS - Leica Active Assist	\$	100
827662	TS/MS - Leica Exchange	\$	50

Batteries

Internal Batteries



733270	GEB221, Lithium-Ion battery, 7.4V/4.4Ah, chargeable.	\$	190
793973	GEB222, Lithium-Ion battery. 7.4V/6Ah TS battery	\$	230

External Batteries

818916	GEB371, External universal battery, Li-Ion, 13 V, 250 Wh, rechargeable	\$	570
807696	GEV270, Power supply unit for TPS/GNSS/LS. For indoor use only. Input 100-240VAC to output 13.2VDC, with c	\$	270

Requires a GEV52 or GEV187 Cable.

Battery Chargers

Professional 5000



799187	GKL341, Charger Prof 5000. Charges up to 4 batteries, including power cable.	\$	750
734389	GDC221, Car adapter for the GKL221 charger. Allows the use of the GKL221 with a cigarette lighter; 12V24V DC	\$	200
774437	GEV242, Charger for GEB371 external battery.	\$	290

Professional 3000

799185	GKL311, Single Charger Prof 3000. Charger for one Li-Ion battery including AC/DC adaptor and cigarette lighter	\$	140
--------	----------------------------------------------------------------------------------------------------------------	----	-----

Data Storage and Data Transfer

Memory Devices



767856	MSD1000, SD Memory Card 1GB for CS and GS units	\$	200
789139	MSD08, SD memory card 8GB	\$	500
765199	MS1, USB memory stick, 1GB industrial grade	\$	170

Card Reader and Adapter

767895	MCR7, Card Reader for SD/CF Cards	\$	670
--------	-----------------------------------	----	-----

Cables

Connector Types

Name	Used on		
Lemo0 5-pin	Leica Viva TPS		
Lemo1 5-pin	Battery / External power		
Lemo1 8-pin	Leica Viva field controllers / Leica Nova TPS		
Lemo1 8-pin	External TS radios		
USB A	PC / Laptop		
USB Mini	Leica Viva TPS		
9-pin RS232 serial	PC / Laptop		

Cables



409678	GEV52, Cable, connects TPS or DNA to external battery.	\$	170
439038	GEV71, 4m car battery cable, connects all battery cables to 12V car battery.	\$	340
563625	GEV102, Data transfer cable, connects a TPS or DNA to PC (9-pin RS232 serial), 2m.	\$	130
734698	GEV187, Y-cable, connects TPS1200+ to PC (9-pin RS232 serial) and external battery, 2m.	\$	400
756367	GEV217, Data transfer cable, connects CS10/CS15 field controller with CBC01 Lemo connector to TPS1200+, 1.	\$	200
764700	GEV223, Data transfer cable for connecting CS10/CS15 field controller to PC (USB A to USB mini connector).	\$	30
806093	GEV267, Serial Data transfer Cable, converter cable USB A to Lemo0 5-pin, connects PC to Leica Viva Total Sta	\$	200
707525	GK1, Lemo Canon converter 30°, for PC (Lemo to RS232) to be used with GEV186 cable.	\$	100

Radio Modems

RH16 Radio Handle



788853	RH16, Radio Handle with integrated bluetooth module and radio antenna. Used as radio modem for Leica Nova ε Used as radio modem for Leica Viva TPS and Leica Novainstruments. Establishes communication to CS15/CS20/CS35 field controller or external radio modem TCPS29/30 (Freq. Range 2402 - 2480MHz).	\$	1,540
--------	------------------------------------------------------------------------------------------------------------------------------------------------------------------------------------------------------------------------------------------------------------------------------------------------------------------	----	-------

TCPS29 Radio Modem

788854	TCPS29, Bluetooth radio modem with antenna and user manual used as external radio modem for Leica Viva TPS and Leica Nova instruments or PCs (Freq. Range 2402 - 2480MHz).	\$	1,540
--------	----------------------------------------------------------------------------------------------------------------------------------------------------------------------------------	----	-------

TCPS29 Radio Modem Accessory

734163	GHT43, Adapter for mounting TCPS radio module on GST20/GST120 tripod.	\$	70
--------	-----------------------------------------------------------------------	----	----

Cables for TCPS Radio Modems and CS20 Field Controller

734697	GEV186, Y-cable, connects TPS1200+ to TCPS28 and external battery.	\$	400
707525	GK1, Lemo Canon converter 30°, for PC (Lemo to RS232) to be used with GEV186 cable.	\$	100
771057	GEV236, Y-cable, connects TS30/TM30 to TCPS radio and external battery, 2m.	\$	540

Optical Accessories

Eyepiece

Viva TS13 Total Stations & Acc



377802	FOK53, Magnification eyepiece, additional eyepiece for increasing telescope magnification to 42x (modification ir	\$	800
Modification in a workshop necessary.			
308838	FOK53, Magnification eyepiece, additional eyepiece for increasing telescope magnification to 42x	\$	940
Modification ex factory. Can only be ordered with a new instrument.			
793979	GFZ3, Diagonal eyepiece for telescope (for FlexLine and TS06plus/TS09plus).	\$	1,210
376236	GOK6, Eyepiece for steep sights, with joint allowing variable sighting angle.	\$	2,410

Autocollimation Set

199899	GOA2, Autocollimation eyepiece.	\$	1,610
394787	GEB62, Plug-in lamp, with cable for autocollimation eyepiece.	\$	610
394792	GEB63, Battery box for autocollimation eyepiece and eyepiece lamp.	\$	1,010

Objective

743504	GVO13, Objective solar filter for TPS instruments.	\$	400
--------	----------------------------------------------------	----	-----

Tribrachs



Tribrachs

777508	GDF321, Tribrach without optical plummet	\$	390
777509	GDF322, Tribrach with optical plummet	\$	480

Tribrach Accessories

667718	GHM007, Instruments height meter	\$	40
722045	GHT196, Distance holder for height meter.	\$	20

Tripods

Tripods

296632	GST20, Tripod Telescopic, with accessories.	\$	430
394752	GST20-9, Tripod, Telescopic, with accessories, without pouch	\$	390
667301	GST120-9, Tripod, Telescopic, selfclosing, with accessories, without pouch.	\$	390
332200	GST4, Tripod-star, for setting up tripods on hard and slippery surfaces.	\$	230

Reflector Poles



Standard Poles

754391	GLS12, telescopic aluminum total station reflector pole with stub. Snap locks at 2.00m for GNSS antennas. Includ	\$	280
754389	GLS12F, 2m Telescopic aluminium pole, US Feet graduations	\$	280
766359	GLS31, telescopic carbon total station reflector with stub. Snap locks at 2.00m for GNSS antennas. Includes circ	\$	560
385500	GLS11, Reflector pole, telescopic, with circular bubble, cm and ft graduation, extends to 2,15m	\$	230
667309	GLS111, BASIC Reflector pole, with bull's-eye bubble, cm/ft graduation, extends to 2.60m, with red/white 0.20m	\$	260
667310	GLS112, BASIC, Reflector pole, with bull's-eye bubble, cm/ft graduation, extends to 3.65m, with red/white 0.20m	\$	290
403428	GZW412, Extension 1m long, for reflector pole GLS11 and carriers	\$	130

Hidden Point Pole

742329	GMP112, Hidden Point Pole Extension for GMP111. Includes miniprism with holder and 30cm adapter pole.	\$	270
--------	-------------------------------------------------------------------------------------------------------	----	-----

Mini Pole

403427	GLS14, Mini reflector pole, (prism/target 20cm over point), with circular bubble.	\$	120
--------	-----------------------------------------------------------------------------------	----	-----

Carriers



Carriers for Reflectors

667313	GRT144, carrier for GPS antenna, EDM reflectors and target plates, pale green.	\$	150
667316	SNLL121, Sensornadir laser plummet, pale green, with user manual	\$	1,070
428340	GZR3, Precision carrier, with plate level and optical plummet.	\$	1,290
725566	GRZ103, Carrier, with plate level and optical plummet for reflectors, pale green.	\$	340
667217	GAD31, Screw-to-stub adapter for fitting GPS antenna on carriers with stub and poles with stub.	\$	170

Reflectors



Circular Reflectors

641617	GPR121, PRO, Circular prism, with holder and target plate	\$	400
362830	GPR1, Circular prism, in black housing.	\$	240
362820	GPH1, Single-prism holder.	\$	80
362823	GZT4, Target plate, for GPH1.	\$	70



360° Reflectors

754384	GRZ122, 360° reflector with 5/8" thread adapter for mounting of GPS antenna.	\$	1,750
639985	GRZ4, 360° reflector.	\$	995
644327	GRZ101, 360° mini prism with 1/4" thread fitting.	\$	740
756637	MPR122, 360° Reflector PRO	\$	1,670
742006	GAD103, Adapter for attaching GRZ101 to all poles with Leica Geosystems stub.	\$	70

Precision Reflectors

555631	GPH1P, Single-prism precision reflector.	\$	1,480
--------	------------------------------------------	----	-------

Mini Reflectors

641662	GMP101, Mini prism, incl. bubble, target plate and spike, in bag, also suitable for GLS11 and GRT44 (same heig	\$	270
641762	GMP104, Mini prism, with L-bar, for fixed installations.	\$	150



Reflector Tape

763532	GZM29, Reflective tape, 20x20mm for short range, pack of 20 pieces.	\$	70
763533	GZM30, Reflective tape, 40x40mm for medium range, pack of 20 pieces.	\$	90
763534	GZM31, Reflective tape, 60x60mm for long range, pack of 20 pieces.	\$	110

Pen and Display Foils

Extra Pen

813914	GDZ71, Pen with tether clip interface for CS20 field controller and TS16/MS60/TS60 Instruments	\$	10
--------	------------------------------------------------------------------------------------------------	----	----

Display Protection Foil Sets

813781	SPF05, 5" WVGA display foils for CS20 field controller and TS16/MS60/TS60 instruments	\$	30
--------	---------------------------------------------------------------------------------------	----	----

Viva TS13 Total Stations & Acc

Containers



Additional Containers

727589	CTC102, Soft bag with shoulder strap, for prism station, consist of tribrach, prism carrier or laser plummet and pri	\$	70
667451	GVP609, Container for 2 Circular Prisms - GPR111/112, 2 Laser Plummetts and 2 Tribachs	\$	170
833516	GVP716, Backpack carrying systems for all large TPS and GNSS containers.	\$	260
833517	GVP717, Sidebag for container GVP721/722/723/725.	\$	100
833518	GVP718, Basic backstrap for container GVP721/722/723/725.	\$	100
833519	GVP719, Shoulderstrap for container GVP721/722/723/725.	\$	80
817055	GVP722, Hard container for SmartAntenna, CS Field Controller and accessories for a SmartPole and SmartStatic	\$	230
817057	GVP724, Small-sized hard container for 360° prism and controller for TS Robotic Pole setup	\$	140

Customer Care Packages - Viva TS16



Basic

6013977	1 yr TS13 Basic CCP	\$	640
6013978	2 yr TS13 Basic CCP	\$	1,160
6013979	3 yr TS13 Basic CCP	\$	1,650
6013980	5 yr TS13 Basic CCP	\$	2,750

Blue

6013993	1 yr TS13 Blue CCP	\$	1,500
6013994	2 yr TS13 Blue CCP	\$	2,710
6013995	3 yr TS13 Blue CCP	\$	3,850
6013996	5 yr TS13 Blue CCP	\$	6,430

Bronze

6014009	2 yr TS13 Bronze CCP	\$	1,710
6014010	3 yr TS13 Bronze CCP	\$	2,640
6014011	5 yr TS13 Bronze CCP	\$	4,630
6014012	1 yr Ext. TS13 Bronze CCP	\$	1,190

Silver

6014025	2 yr TS13 Silver CCP	\$	3,260
6014026	3 yr TS13 Silver CCP	\$	4,840
6014027	5 yr TS13 Silver CCP	\$	8,310
6014028	1 yr Ext. TS13 Silver CCP	\$	2,050

Gold

6014041	3 yr TS13 Gold CCP	\$	5,980
6014042	5 yr TS13 Gold CCP	\$	9,520

TS12P Total Stations & Acc

USA	Effective Date	6-Aug-18			\$USD Price
	Product Code	Sub-Code	Description		
TS12P Robotic Total Station Models					
TS12P PinPoint R400 Automatic Total Stations					
	791305		TS12P, 5" R400, Total Station w/PowerSearch, Automatic Target Recognition, 1 Color Keyboard, Laser Plumme	\$	17,990
	791306		TS12P, 3" R400, Total Station w/PowerSearch, Automatic Target Recognition, 1 Color Keyboard, Laser Plumme	\$	19,750
	791307		TS12P, 2" R400, Total Station w/PowerSearch, Automatic Target Recognition, 1 Color Keyboard, Laser Plumme	\$	20,990
TS12P PinPoint R1000 Automatic Total Stations					
	836884		TS12P, 5" R1000, Total Station w/PowerSearch, Automatic Target Recognition, 1 Color Keyboard, Laser Plumme	\$	18,900
	787279		TS12P, 3" R1000, Total Station w/PowerSearch, Automatic Target Recognition, 1 Color Keyboard, Laser Plumme	\$	20,720
	787280		TS12P, 2" R1000, Total Station w/PowerSearch, Automatic Target Recognition, 1 Color Keyboard, Laser Plumme	\$	22,030
TS12P Robotic models are delivered with one 1/4 VGA colour touch display, documentation USB card (807728) and container GVP625 (733782).					

Calibration Certificates



Calibration Certificates

812535	Calibration Cert. "Gold", Angle	\$	1,230
812536	Calibration Cert. "Gold", A + Dist IR	\$	2,190
812539	Calibration Cert. "Gold", A + Dist, IR & RL	\$	2,570
812542	Calibration Cert. "Silver", Angle	\$	410
812543	Calibration Cert. "Silver", A + Dist, IR	\$	1,030
812544	Calibration Cert. "Silver", A + Dist, IR&RL	\$	1,240
812541	Calibration Certificate "Blue" (incl. on myWorld)	\$	N/C

SmartWorx TPS Application Programs, Standard

SmartWorx TPS Application Programs - Included

	Setup	\$	
	Survey	\$	
738478	TS SmartWorx - COGO	\$	N/C
737844	TS SmartWorx - Alignment Tool Kit	\$	190
740269	TS SmartWorx - Determine Coordinate System	\$	N/C
752691	TS SmartWorx - DXF import	\$	N/C
744617	TS SmartWorx - GPS Survey	\$	N/C
738477	TS SmartWorx - Stakeout	\$	N/C

SmartWorx TPS Application Programs, Optional

748188	TS SmartWorx - Area Division (Requires COGO)	\$	240
744866	TS SmartWorx - Athletics	\$	1,350
748186	TS SmartWorx - Cross Section	\$	370
734169	TS SmartWorx - DTM Stakeout (requires Stakeout)	\$	370
760346	TS SmartWorx - DXF Export	\$	240
742442	TS SmartWorx - Hidden Point	\$	370
763403	TS SmartWorx - Land XML Exporter	\$	250
744701	TS SmartWorx - Monitoring (requires Sets of Angles)	\$	730
734167	TS SmartWorx - Reference Line	\$	430
734181	TS SmartWorx - Reference Plane	\$	490
734182	TS SmartWorx - RoadRunner	\$	1,040
746388	TS SmartWorx - RoadRunner Rail	\$	1,220
742591	TS SmartWorx - RoadRunner Tunnel	\$	1,410
734168	TS SmartWorx - Sets of Angles	\$	430
734170	TS SmartWorx - Traverse	\$	260
765559	TS SmartWorx - Traverse Adjustment (Requires Traverse)	\$	N/C
748187	TS SmartWorx - Volume Calculation	\$	370

Additional Software Options

734754	GEOCOM Robotics License - TS12P	\$	950
833039	TS12 Usage Licenses Key for Captivate	\$	2,830

Batteries

Internal Batteries



733270	GEB221, Lithium-Ion battery, 7.4V/4.4Ah, chargeable.	\$	190
793973	GEB222, Lithium-Ion battery, 7.4V/6Ah TS battery	\$	230

External Batteries

818916	GEB371, External universal battery, Li-Ion, 13 V, 250 Wh, rechargeable	\$	570
807696	GEV270, Power supply unit for TPS/GNSS/LS. For indoor use only. Input 100-240VAC to output 13.2VDC, with c	\$	270

Requires a GEV52 or GEV187 cable.

Battery Chargers

Professional 5000



799187	GKL341, Charger Prof 5000. Charges up to 4 batteries, including power cable.	\$	750
733323	GDI221, Adapter for GKL221 for charging 2 Li-Ion batteries GEB221, GEB211.	\$	70
774437	GEV242, Charger for GEB371 external battery.	\$	290

Professional 3000

799185	GKL311, Single Charger Prof 3000. Charger for one Li-Ion battery including AC/DC adaptor and cigarette lighter	\$	140
--------	----------------------------------------------------------------------------------------------------------------	----	-----

TS12P Total Stations & Acc

Cables

Battery Cables for external Batteries and Power Supply

439038	GEV71, 4m car battery cable, connects all battery cables to 12V car battery.	\$	340
409678	GEV52, Cable, connects TPS or DNA to external battery.	\$	170
734697	GEV186, Y-cable, connects TPS1200+ to TCPS28 and external battery.	\$	400
734698	GEV187, Y-cable, connects TPS1200+ to PC (9-pin RS232 serial) and external battery, 2m.	\$	400
707525	GK1, Lemo Canon converter 30°, for PC (Lemo to RS232) to be used with GEV186 cable.	\$	100

Data Transfer Cables



563625	GEV102, Data transfer cable, connects a TPS or DNA to PC (9-pin RS232 serial), 2m.	\$	130
734697	GEV186, Y-cable, connects TPS1200+ to TCPS28 and external battery.	\$	400
734698	GEV187, Y-cable, connects TPS1200+ to PC (9-pin RS232 serial) and external battery, 2m.	\$	400
756367	GEV217, Data transfer cable, connects CS10/CS15 field controller with CBC01 Lemo connector to TPS1200+, 1.	\$	200
764700	GEV223, Data transfer cable for connecting CS10/CS15 field controller to PC (USB A to USB mini connector).	\$	30
806093	GEV267, Serial Data transfer Cable, converter cable USB A to Lemo0 5-pin, connects PC to Leica Viva Total Sta	\$	200
707525	GK1, Lemo Canon converter 30°, for PC (Lemo to RS232) to be used with GEV186 cable.	\$	100

Data Storage and Data Transfer

Memory Devices

733257	MCF256, industrial grade CompactFlash card 256MB.	\$	200
745995	MCF1000, industrial grade CompactFlash card 1GB.	\$	340

Card Reader and Adapter

767895	MCR7, Card Reader for SD/CF Cards	\$	670
733258	MCFAD1, Compact Flash PC Card adapter	\$	70

Radio Modems

RH16 Radio Handle

788853	RH16, Radio Handle with integrated bluetooth module and radio antenna. Used as radio modem for Leica Nova	\$	1,540
--------	-----------------------------------------------------------------------------------------------------------	----	-------

Optical Accessories

Eyepiece



377802	FOK53, Magnification eyepiece, additional eyepiece for increasing telescope magnification to 42x (modification in	\$	800
308838	FOK53, Magnification eyepiece, additional eyepiece for increasing telescope magnification to 42x	\$	940
793979	GFZ3, Diagonal eyepiece for telescope (for FlexLine and TS06plus/TS09plus).	\$	1,210
376236	GOK6, Eyepiece for steep sights, with joint allowing variable sighting angle.	\$	2,410

Tribrachs

Tibrachs



777508	GDF321, Tribrach without optical plummet	\$	390
777509	GDF322, Tribrach with optical plummet	\$	480
842061	GDF311, Tribrach without optical plummet	\$	250
842062	GDF312, Tribrach with optical plummet	\$	350

Tibrach Accessories

667718	GHM007, Instruments height meter	\$	40
722045	GHT196, Distance holder for height meter.	\$	20

Tripods

296632	GST20, Tripod Telescopic, with accessories.	\$	430
394752	GST20-9, Tripod, Telescopic, with accessories, without pouch	\$	390
667301	GST120-9, Tripod, Telescopic, selfclosing, with accessories, without pouch.	\$	390
332200	GST4, Tripod-star, for setting up tripods on hard and slippery surfaces.	\$	230

Reflector Poles

Standard Poles



385500	GLS11, Reflector pole, telescopic, with circular bubble, cm and ft graduation, extends to 2,15m	\$	230
754391	GLS12, telescopic aluminum total station reflector pole with stub. Snap locks at 2.00m for GNSS antennas. Includ	\$	280
754389	GLS12F, 2m Telescopic aluminium pole, US Feet graduations	\$	280
766359	GLS31, telescopic carbon total station reflector with stub. Snap locks at 2.00m for GNSS antennas. Includes circ	\$	560
667309	GLS111, BASIC Reflector pole, with bull's-eye bubble, cm/ft graduation, extends to 2.60m, with red/white 0.20m	\$	260
667310	GLS112, BASIC, Reflector pole, with bull's-eye bubble, cm/ft graduation, extends to 3.65m, with red/white 0.20m	\$	290
555720	GSR2, Dual strut support for GLS11/GLS11K plumbing pole	\$	400
667319	GSR111, Dual-strut support, for all GLS Poles	\$	320
403428	GZW412, Extension 1m long, for reflector pole GLS11 and carriers	\$	130

Hidden Point Pole

742329	GMP112, Hidden Point Pole Extension for GMP111. Includes miniprism with holder and 30cm adapter pole.	\$	270
--------	-------------------------------------------------------------------------------------------------------	----	-----

Mini Pole

403427	GLS14, Mini reflector pole, (prism/target 20cm over point), with circular bubble.	\$	120
--------	-----------------------------------------------------------------------------------	----	-----

Field Controller Holder on Pole

767879	GHT62, Pole holder base plate for CS10 and CS15 field controller.	\$	70
767880	GHT63, Clamp arrangement for attaching the GHT62 holder to all poles.	\$	150

TS12P Total Stations & Acc

Carriers



Carriers for Reflectors

667313	GRT144, carrier for GPS antenna, EDM reflectors and target plates, pale green.	\$	150
667316	SNLL121, Sensoradir laser plummet, pale green, with user manual	\$	1,070
428340	GZR3, Precision carrier, with plate level and optical plummet.	\$	1,290
725666	GRZ103, Carrier, with plate level and optical plummet for reflectors, pale green.	\$	340

Reflectors



Circular Reflectors

362830	GPR1, Circular prism, in black housing.	\$	240
641617	GPR121, PRO, Circular prism, with holder and target plate	\$	400
641618	GPR111, Circular prism, with holder and target plate	\$	240
753492	GPR113, BASIC Circular prism, with red holder.	\$	200
362820	GPH1, Single-prism holder.	\$	80
400080	GPH3, Three-prism holder.	\$	200
362823	GZT4, Target plate, for GPH1.	\$	70



360° Reflectors

754384	GRZ122, 360° reflector with 5/8" thread adapter for mounting of GPS antenna.	\$	1,750
639985	GRZ4, 360° reflector.	\$	995
644327	GRZ101, 360° mini prism with 1/4" thread fitting.	\$	740
742006	GAD103, Adapter for attaching GRZ101 to all poles with Leica Geosystems stub.	\$	70

Precision Reflectors

555631	GPH1P, Single-prism precision reflector.	\$	1,480
--------	------------------------------------------	----	-------

Mini Reflectors

641662	GMP101, Mini prism, incl. bubble, target plate and spike, in bag, also suitable for GLS11 and GRT44 (same height)	\$	270
641762	GMP104, Mini prism, with L-bar, for fixed installations.	\$	150
641615	GMP111, Mini prism, BASIC, incl. bubble, with GLS115 and GHT111.	\$	280
642534	GMP111-0, Mini prism 0-Constante, BASIC, incl. bubble, with GLS115 and GHT111.	\$	290
743503	GAD105, Adapter for GMP111 to all poles with Leica Geosystems stub.	\$	70



Reflector Tape

763532	GZM29, Reflective tape, 20x20mm for short range, pack of 20 pieces.	\$	70
763533	GZM30, Reflective tape, 40x40mm for medium range, pack of 20 pieces.	\$	90
763534	GZM31, Reflective tape, 60x60mm for long range, pack of 20 pieces.	\$	110

Containers

Additional Containers

744501	GDZ66, Backstraps (2) for GVP640 and GVP642 hard container.	\$	40
667451	GVP609, Container for 2 Circular Prisms - GPR111/112, 2 Laser Plummetts and 2 Tribrachs	\$	170
727589	CTC102, Soft bag with shoulder strap, for prism station, consist of tribrach, prism carrier or laser plummet and prism	\$	70
817055	GVP722, Hard container for SmartAntenna, CS Field Controller and accessories for a SmartPole and SmartStatic	\$	230
817057	GVP724, Small-sized hard container for 360° prism and controller for TS Robotic Pole setup	\$	140

Customer Care Packages - TS12P



Basic

6007448	1 yr TS12 Basic CCP	\$	640
6007449	2 yr TS12 Basic CCP	\$	1,160
6007450	3 yr TS12 Basic CCP	\$	1,650

Blue

6010355	1 yr TS12 Blue CCP	\$	1,500
6010356	2 yr TS12 Blue CCP	\$	2,710
6010357	3 yr TS12 Blue CCP	\$	3,850

Bronze

6007451	2 yr TS12 Bronze CCP	\$	1,900
6007452	3 yr TS12 Bronze CCP	\$	2,980
6007453	1 yr Ext. TS12 Bronze CCP	\$	1,380

Silver

6010358	2 yr TS12 Silver CCP	\$	3,450
6010359	3 yr TS12 Silver CCP	\$	5,180
6010360	1 yr Ext. TS12 Silver CCP	\$	2,240

Gold

6010361	3 yr TS12 Gold CCP	\$	6,320
---------	--------------------	----	-------

TS11 Total Stations & Acc

USA	Effective Date	6-Aug-18			\$USD
	Product Code	Sub-Code	Description		Price
TS11 & TS11i Manual Total Stations					
Leica TS11 Total Station Models					
<p>All TS11 models are delivered with TS11 Total Station, 1 keyboard with full VGA color touch screen, reflectorless R500/1000 EDM, Electronic Guide Light (EGL5), 1GB internal Flash Memory, laser plummet, Bluetooth/ RS232/ USB/ SD-Card interface, SmartWorx Viva application package and DVD (Art. No. 767 908), Quick Guide and container with protective cover, lens hood and cleaning cloth.</p>					
Leica TS11 Manual Total Stations					
TS11 R500 Manual Total Stations					
	796537		TS11 5" R500, 1 keyboard with full VGA color touch screen, reflectorless R500 EDM, Electronic Guide Light (EGL5)	\$	13,330
	796538		TS11 3" R500, 1 keyboard with full VGA color touch screen, reflectorless R500 EDM, Electronic Guide Light (EGL5)	\$	14,440
	796539		TS11 2" R500, 1 keyboard with full VGA color touch screen, reflectorless R500 EDM, Electronic Guide Light (EGL5)	\$	15,780
	796540		TS11 1" R500, 1 keyboard with full VGA color touch screen, reflectorless R500 EDM, Electronic Guide Light (EGL5)	\$	17,550
TS11 R1000 Manual Total Stations					
	796541		TS11 5" R1000, 1 keyboard with full VGA color touch screen, reflectorless R1000 EDM, Electronic Guide Light (EGL5)	\$	14,660
	796542		TS11 3" R1000, 1 keyboard with full VGA color touch screen, reflectorless R1000 EDM, Electronic Guide Light (EGL5)	\$	15,890
	796543		TS11 2" R1000, 1 keyboard with full VGA color touch screen, reflectorless R1000 EDM, Electronic Guide Light (EGL5)	\$	17,110
	796544		TS11 1" R1000, 1 keyboard with full VGA color touch screen, reflectorless R1000 EDM, Electronic Guide Light (EGL5)	\$	18,890
Leica TS11 Manual Imaging Total Stations					
TS11i R1000 Manual Total Stations					
	796545		TS11 I 5" R1000 Total Station with 5MP wide angle camera, 1 keyboard with full VGA color touch screen, reflectorless R1000 EDM, Electronic Guide Light (EGL5)	\$	16,440
	796546		TS11 I 3" R1000 Total Station with 5MP wide angle camera, 1 keyboard with full VGA color touch screen, reflectorless R1000 EDM, Electronic Guide Light (EGL5)	\$	17,660
	796547		TS11 I 2" R1000 Total Station with 5MP wide angle camera, 1 keyboard with full VGA color touch screen, reflectorless R1000 EDM, Electronic Guide Light (EGL5)	\$	18,890
	796548		TS11 I 1" R1000 Total Station with 5MP wide angle camera, 1 keyboard with full VGA color touch screen, reflectorless R1000 EDM, Electronic Guide Light (EGL5)	\$	20,660
2nd Keyboard & Additional Options					
2nd Keyboard - Color Touch Screen					
	820547		GTS37, second keyboard for Viva and Nova	\$	920
Arctic Option					
<p>The Arctic option for TS11 Total Stations is \$ 2,250. Please contact Leica Geosystems NAFTA Product Management for Part Numbers. Allow 4 -6 weeks for delivery.</p>					
Calibration Certificates					
Calibration Certificates					
	812535		Calibration Cert. "Gold", Angle	\$	1,230
	812536		Calibration Cert. "Gold", A + Dist IR	\$	2,190
	812539		Calibration Cert. "Gold", A + Dist, IR & RL	\$	2,570
	812542		Calibration Cert. "Silver", Angle	\$	410
	812543		Calibration Cert. "Silver", A + Dist, IR	\$	1,030
	812544		Calibration Cert. "Silver", A + Dist, IR&RL	\$	1,240
	812541		Calibration Certificate "Blue" (incl. on myWorld)	\$	N/C
Camera Calibration					
	793861		Overview Camera calibration workflow. Article ensures the predelivery logistics for the calibration of the Overview	\$	320
<p>3rd party fees for instrument calibration and licensing of software are not included</p>					



SmartWorx Viva Application Programs & Software Options

Applications included in SmartWorx Viva

	TS Smart-Worx Viva
Survey includes:	
• Survey	●
• Code points	●
• Auto points recording	●
• Remote Heights	●
• Target Offset calculations	●
Setup includes:	
• Get station coordinates from GPS, from Job or enter manually	●
• Orientation by known Azimuth	●
• Orientation by known Backsight	●
• Orientation & Height transfer to up to 10 target points	●
• Resection up to 10 target points	●
• Resection Helmert	●
• Orientation to Line	●
Stakeout includes:	
• Navigate to point using various methods: North, point, to and from Total Station	●
• Quality control - checking of coordinate differences before storing	●
• Automatic selection of next closest point to stake	●
• Graphical selection of point from map	●
• Edit heights and offset heights of points	●
• Acoustic "reversing beep" when getting closer to point	●
COGO includes:	
• Inverse	●
• Traverse	●
• Intersections	●
• Line calculations	●
• Arc calculations	●
• Angle and curve calculator	●
• Shift, Rotate & Scale (manual)	●
• Shift, Rotate & Scale (match Points)	●
Determine coordinate system:	
• 1 step, 2 step, 3D Transformation	●
• All common projections	●
Alignment Tool Kit:	
• Horizontal alignments	●
• Vertical alignments	●
• Cross sections	●
• Chainage equations	●
TS Reference Line	●
TS Sets of Angles	●
TS Surface and Volumes	●
TS Hidden Point	●
TS Traverse	●
DTM Stakeout	●
Data import: ASCII, DXF	●
Data export: Custom ASCII, DXF, LandXML, FBK, RW5, RAW	●

SmartWorx TPS Application Programs, Optional

781331	TS Athletics	\$	1,220
781324	TS COGO Area Division	\$	240
781323	TS Reference Plane & Grid Scanning	\$	370
781328	TS RoadRunner Road	\$	920
781330	TS RoadRunner Rail	\$	1,100
781329	TS RoadRunner Tunnel	\$	1,280
781343	TS Road Runner Importer	\$	180
781325	TS Cross Section	\$	240
789392	TS Unlevelled Setup	\$	450
807763	TS Quick Volume	\$	850

TS11 Total Stations & Acc

Batteries



Internal Batteries

733270	GEB221, Lithium-Ion battery, 7.4V/4.4Ah, chargeable.	\$	190
793973	GEB222, Lithium-Ion battery. 7.4V/6Ah TS battery	\$	230

External Batteries

818916	GEB371, External universal battery, Li-Ion, 13 V, 250 Wh, rechargeable	\$	570
807696	GEV270, Power supply unit for TPS/GNSS/LS. For indoor use only. Input 100-240VAC to output 13.2VDC, with c	\$	270

Requires a GEV52 or GEV187 cable.

Battery Chargers



Professional 5000

799187	GKL341, Charger Prof 5000. Charges up to 4 batteries, including power cable.	\$	750
774437	GEV242, Charger for GEB371 external battery.	\$	290

Professional 3000

799185	GKL311, Single Charger Prof 3000. Charger for one Li-Ion battery including AC/DC adaptor and cigarette lighter	\$	140
--------	----------------------------------------------------------------------------------------------------------------	----	-----

Cables



Data Transfer Cables

563625	GEV102, Data transfer cable, connects a TPS or DNA to PC (9-pin RS232 serial), 2m.	\$	130
734697	GEV186, Y-cable, connects TPS1200+ to TCPS28 and external battery.	\$	400
734698	GEV187, Y-cable, connects TPS1200+ to PC (9-pin RS232 serial) and external battery, 2m.	\$	400
756367	GEV217, Data transfer cable, connects CS10/CS15 field controller with CBC01 Lemo connector to TPS1200+, 1.	\$	200
764700	GEV223, Data transfer cable for connecting CS10/CS15 field controller to PC (USB A to USB mini connector).	\$	30
806093	GEV267, Serial Data transfer Cable, converter cable USB A to Lemo0 5-pin, connects PC to Leica Viva Total Sta	\$	200
707525	GK1, Lemo Canon converter 30°, for PC (Lemo to RS232) to be used with GEV186 cable.	\$	100

Data Storage and Data Transfer

Memory Devices

765199	MS1, USB memory stick, 1GB industrial grade	\$	170
--------	---------------------------------------------	----	-----

Optical Accessories



Eyepiece

377802	FOK53, Magnification eyepiece, additional eyepiece for increasing telescope magnification to 42x (modification ir	\$	800
--------	-------------------------------------------------------------------------------------------------------------------	----	-----

Modification in a workshop necessary.

308838	FOK53, Magnification eyepiece, additional eyepiece for increasing telescope magnification to 42x	\$	940
--------	--------------------------------------------------------------------------------------------------	----	-----

Modification ex factory. Can only be ordered with a new instrument.

376236	GOK6, Eyepiece for steep sights, with joint allowing variable sighting angle.	\$	2,410
--------	-------------------------------------------------------------------------------	----	-------

Autocollimation Set

199899	GOA2, Autocollimation eyepiece.	\$	1,610
394787	GEB62, Plug-in lamp, with cable for autocollimation eyepiece.	\$	610
394792	GEB63, Battery box for autocollimation eyepiece and eyepiece lamp.	\$	1,010

Objective

743504	GVO13, Objective solar filter for TPS instruments.	\$	400
--------	----------------------------------------------------	----	-----

Tribrachs



Tribrachs

777508	GDF321, Tribrach without optical plummet	\$	390
777509	GDF322, Tribrach with optical plummet	\$	480
842061	GDF311, Tribrach without optical plummet	\$	250
842062	GDF312, Tribrach with optical plummet	\$	350

Tribrach Accessories

667718	GHM007, Instruments height meter	\$	40
722045	GHT196, Distance holder for height meter.	\$	20

Tripods

296632	GST20, Tripod Telescopic, with accessories.	\$	430
394752	GST20-9, Tripod, Telescopic, with accessories, without pouch	\$	390
667301	GST120-9, Tripod, Telescopic, selfclosing, with accessories, without pouch.	\$	390
332200	GST4, Tripod-star, for setting up tripods on hard and slippery surfaces.	\$	230

Reflector Poles



Standard Poles

385500	GLS11, Reflector pole, telescopic, with circular bubble, cm and ft graduation, extends to 2,15m	\$	230
754391	GLS12, telescopic aluminum total station reflector pole with stub. Snap locks at 2.00m for GNSS antennas. Includ	\$	280
754389	GLS12F, 2m Telescopic aluminium pole, US Feet graduations	\$	280
766359	GLS31, telescopic carbon total station reflector with stub. Snap locks at 2.00m for GNSS antennas. Includes circ	\$	560
667309	GLS111, BASIC Reflector pole, with bull's-eye bubble, cm/ft graduation, extends to 2.60m, with red/white 0.20m	\$	260
667310	GLS112, BASIC, Reflector pole, with bull's-eye bubble, cm/ft graduation, extends to 3.65m, with red/white 0.20m	\$	290
555720	GSR2, Dual strut support for GLS11/GLS11K plumbing pole	\$	400
667319	GSR111, Dual-strut support, for all GLS Poles	\$	320
403428	GZW412, Extension 1m long, for reflector pole GLS11 and carriers	\$	130

Hidden Point Pole

742329	GMP112, Hidden Point Pole Extension for GMP111. Includes miniprism with holder and 30cm adapter pole.	\$	270
--------	-------------------------------------------------------------------------------------------------------	----	-----

Mini Pole

403427	GLS14, Mini reflector pole, (prism/target 20cm over point), with circular bubble.	\$	120
--------	-----------------------------------------------------------------------------------	----	-----

TS11 Total Stations & Acc

Carriers



Carriers for Reflectors

667313	GRT144, carrier for GPS antenna, EDM reflectors and target plates, pale green.	\$	150
667316	SNLL121, Sensoradir laser plummet, pale green, with user manual	\$	1,070
428340	GZR3, Precision carrier, with plate level and optical plummet.	\$	1,290
725666	GRZ103, Carrier, with plate level and optical plummet for reflectors, pale green.	\$	340

Reflectors



Circular Reflectors

362830	GPR1, Circular prism, in black housing.	\$	240
641617	GPR121, PRO, Circular prism, with holder and target plate	\$	400
641618	GPR111, Circular prism, with holder and target plate	\$	240
753492	GPR113, BASIC Circular prism, with red holder.	\$	200
362820	GPH1, Single-prism holder.	\$	80
400080	GPH3, Three-prism holder.	\$	200
362823	GZT4, Target plate, for GPH1.	\$	70



360° Reflectors

754384	GRZ122, 360° reflector with 5/8" thread adapter for mounting of GPS antenna.	\$	1,750
639985	GRZ4, 360° reflector.	\$	995
644327	GRZ101, 360° mini prism with 1/4" thread fitting.	\$	740
742006	GAD103, Adapter for attaching GRZ101 to all poles with Leica Geosystems stub.	\$	70

Precision Reflectors

555631	GPH1P, Single-prism precision reflector.	\$	1,480
--------	------------------------------------------	----	-------

Mini Reflectors

641662	GMP101, Mini prism, incl. bubble, target plate and spike, in bag, also suitable for GLS11 and GRT44 (same height)	\$	270
641762	GMP104, Mini prism, with L-bar, for fixed installations.	\$	150
641615	GMP111, Mini prism, BASIC, incl. bubble, with GLS115 and GHT111.	\$	280
642534	GMP111-0, Mini prism 0-Constante, BASIC, incl. bubble, with GLS115 and GHT111.	\$	290
743503	GAD105, Adapter for GMP111 to all poles with Leica Geosystems stub.	\$	70



Reflector Tape

763532	GZM29, Reflective tape, 20x20mm for short range, pack of 20 pieces.	\$	70
763533	GZM30, Reflective tape, 40x40mm for medium range, pack of 20 pieces.	\$	90
763534	GZM31, Reflective tape, 60x60mm for long range, pack of 20 pieces.	\$	110

Containers

Additional Containers

744501	GDZ66, Backstraps (2) for GVP640 and GVP642 hard container.	\$	40
667451	GVP609, Container for 2 Circular Prisms - GPR111/112, 2 Laser Plummetts and 2 Tribrachs	\$	170
727589	CTC102, Soft bag with shoulder strap, for prism station, consist of tribrach, prism carrier or laser plummet and prism	\$	70
817055	GVP722, Hard container for SmartAntenna, CS Field Controller and accessories for a SmartPole and SmartStatic	\$	230

Customer Care Packages - TS11 Total Stations



Basic

6004850	1 yr Viva TPS (TS11) Basic CCP	\$	640
6004852	2 yr Viva TPS (TS11) Basic CCP	\$	1,160
6004853	3 yr Viva TPS (TS11) Basic CCP	\$	1,650

Blue

6004854	1 yr Viva TPS (TS11) Blue CCP	\$	1,250
6004855	2 yr Viva TPS (TS11) Blue CCP	\$	2,260
6004856	3 yr Viva TPS (TS11) Blue CCP	\$	3,220

Bronze

6004857	2 yr Viva TPS (TS11) Bronze CCP	\$	1,610
6004858	3 yr Viva TPS (TS11) Bronze CCP	\$	2,460
6004859	1 yr Ext. Viva TPS (TS11) Bronze CCP	\$	1,090

Silver

6004860	2 yr Viva TPS (TS11) Silver CCP	\$	2,710
6004861	3 yr Viva TPS (TS11) Silver CCP	\$	4,030
6004862	1 yr Ext. Viva TPS (TS11) Silver CCP	\$	1,700

Gold

6004863	3 yr Viva TPS (TS11) Gold CCP	\$	5,160
---------	-------------------------------	----	-------

FlexLine Total Stations

USA	Effective Date	6-Aug-18			\$USD
	Product Code	Sub-Code	Description		Price
FlexLine plus - Series Total Stations					
TS02 - Instrument Listing					
TS02 plus					
	785759		TS02plus total station, 7" simple numeric standard keyboard with black&white display, RS-232 interface, laser pl	\$	6,260
	785761		TS02plus total station, 5" simple numeric standard keyboard with black&white display, RS-232 interface, laser pl	\$	6,910
	785762		TS02plus total station, 3" simple numeric standard keyboard with black&white display, RS-232 interface, laser pl	\$	8,160
	785763		TS02plus total station, 2" simple numeric standard keyboard with black&white display, RS-232 interface, laser pl	\$	9,530
TS02 plus with reflectorless EDM R500					
	785764		TS02plus total station, 7" with reflectorless R500 EDM, simple numeric standard keyboard with black&white displ	\$	7,470
	785765		TS02plus total station, 5" with reflectorless R500 EDM, simple numeric standard keyboard with black&white displ	\$	7,980
	785766		TS02plus total station, 3" with reflectorless R500 EDM, simple numeric standard keyboard with black&white displ	\$	9,230
	785767		TS02plus total station, 2" with reflectorless R500 EDM, simple numeric standard keyboard with black&white displ	\$	10,660
TS06 plus - Instrument Listing					
TS06 plus with reflectorless EDM R500					
	796967		TS06 plus total station, 7" with reflectorless R500 EDM, full numeric keyboard with black&white display, RS-232 i	\$	8,400
	785778		TS06 plus total station, 5" with reflectorless R500 EDM, full numeric keyboard with black&white display, RS-232 i	\$	8,710
	785779		TS06 plus total station, 3" with reflectorless R500 EDM, full numeric keyboard with black&white display, RS-232 i	\$	9,700
	785780		TS06 plus total station, 2" with reflectorless R500 EDM, full numeric keyboard with black&white display, RS-232 i	\$	11,030
	785782		TS06 plus total station, 1" with reflectorless R500 EDM, full numeric keyboard with black&white display, RS-232 i	\$	12,790
TS06 plus with reflectorless EDM R1000					
	796968		TS06 plus total station, 7" with reflectorless R1000 EDM, full numeric keyboard with black&white display, RS-232	\$	9,910
	785784		TS06 plus total station, 5" with reflectorless R1000 EDM, full numeric keyboard with black&white display, RS-232	\$	9,980
	785785		TS06 plus total station, 3" with reflectorless R1000 EDM, full numeric keyboard with black&white display, RS-232	\$	11,140
	785786		TS06 plus total station, 2" with reflectorless R1000 EDM, full numeric keyboard with black&white display, RS-232	\$	12,350
	796969		TS06 plus total station, 1" with reflectorless R1000 EDM, full numeric keyboard with black&white display, RS-232	\$	14,110
TS09 plus - Instrument Listing					
TS09 plus with reflectorless EDM R500					
	796970		TS09 plus total station, 5" with reflectorless R500 EDM, full numeric keyboard with Color & Touch display, RS-23	\$	11,140
	785793		TS09 plus total station, 3" with reflectorless R500 EDM, full numeric keyboard with Color & Touch display, RS-23	\$	12,390
	785794		TS09 plus total station, 2" with reflectorless R500 EDM, full numeric keyboard with Color & Touch display, RS-23	\$	13,820
	785795		TS09 plus total station, 1" with reflectorless R500 EDM, full numeric keyboard with Color & Touch display, RS-23	\$	15,610
TS09 plus with reflectorless EDM R1000					
	796971		TS09 plus total station, 5" with reflectorless R1000 EDM, full numeric keyboard with Color & Touch display, RS-2	\$	12,630
	785796		TS09 plus total station, 3" with reflectorless R1000 EDM, full numeric keyboard with Color & Touch display, RS-2	\$	13,940
	785797		TS09 plus total station, 2" with reflectorless R1000 EDM, full numeric keyboard with Color & Touch display, RS-2	\$	15,250
	785798		TS09 plus total station, 1" with reflectorless R1000 EDM, full numeric keyboard with Color & Touch display, RS-2	\$	17,150

FlexLine Total Stations

TS FlexLine plus - Additional Hardware Options

Keyboards

765308	GTS24, 2nd simple numeric keyboard with black&white display	\$	270
765310	GTS26, 2nd full numeric keyboard with black&white display	\$	420
820548	GTS38, 2nd keyboard for TS09plus	\$	770

	TS02	TS06 plus	TS09 plus
○	-	-	-
-	○	-	-
-	-	-	○
○	Optional		
-	Not available		

EDM

762692	EGL5, Electronic Guide Light, for TS11 and TS02/06/09 instruments.	\$	760
--------	--------------------------------------------------------------------	----	-----

Artic Option (-35°C)

The Artic option for FlexLine Total Stations is \$ 2,250. Please contact Leica Geosystems NAFTA Product Management for Part Numbers. Allow 4 -6 weeks for delivery.

Communication Sidecover

760467	GSD04, Communication Sidecover for TS02 & TS02plus	\$	290
--------	----------------------------------------------------	----	-----

Please Note - the Communication Side Cover is classed as a spare part and must be installed by a Certified Service technician - Whaen ordered for a TS02 plus please allow 5 days

Calibration Certificates

Calibration Certificates



812535	Calibration Cert. "Gold", Angle	\$	1,230
812536	Calibration Cert. "Gold", A + Dist IR	\$	2,190
812539	Calibration Cert. "Gold", A + Dist, IR & RL	\$	2,570
812542	Calibration Cert. "Silver", Angle	\$	410
812543	Calibration Cert. "Silver", A + Dist, IR	\$	1,030
812544	Calibration Cert. "Silver", A + Dist, IR&RL	\$	1,240
812541	Calibration Certificate "Blue" (incl. on myWorld)	\$	N/C

FlexLine Total Stations

FlexField Plus Application Software



	TS02	TS06 plus	TS09 plus
Station Setup	●	●	●
• Resection (Standard, Local Resection, Helmert Resection)	●	●	●
• Orientation with Angle	●	●	●
• Orientation with Coordinates	●	●	●
• Height Transfer	●	●	●
Survey & Coding	●	●	●
Stake Out	●	●	●
Reference Line/Grid/Segment	●	●	●
Tie Distance	●	●	●
Area & DTM Volume	●	●	●
Remote Height	●	●	●
Offset (Standard & Cylindrical)	●	●	●
Backsight Check	●	●	●
Cogo	○	●	●
Reference Plane	○	●	●
Reference Arc	○	●	●
Road 2D	○	●	●
Road 3D	-	○	●
Traverse	-	○	●
Mining	○	○	○
	● Standard		
	○ Optional		
	- Not available		

765312	COGO - TS02/TS06/TS09 (plus)	\$	280
765313	Reference Plane - TS02/TS06/TS09 (plus)	\$	260
765314	Road 2D - TS02/TS06/TS09 (plus)	\$	340
765318	Road 3D - TS02/TS06/TS09 (plus)	\$	370
765319	Traverse - TS02/TS06/TS09 (plus)	\$	340
766275	Mining - TS02/TS06/TS09 (plus)	\$	630
768292	Application Demo License 1-Year - TS02/TS06/TS09 (plus)	\$	N/C

Batteries



Internal Batteries

733270	GEB221, Lithium-Ion battery, 7.4V/4.4Ah, chargeable.	\$	190
793973	GEB222, Lithium-Ion battery. 7.4V/6Ah TS battery	\$	230

External Batteries

818916	GEB371, External universal battery, Li-Ion, 13 V, 250 Wh, rechargeable	\$	570
807696	GEV270, Power supply unit for TPS/GNSS/LS. For indoor use only. Input 100-240VAC to output 13.2VDC, with c	\$	270

Requires a GEV52 or GEV187 cable.

Battery Chargers



Professional 5000

799187	GKL341, Charger Prof 5000. Charges up to 4 batteries, including power cable.	\$	750
774437	GEV242, Charger for GEB371 external battery.	\$	290

Professional 3000

799185	GKL311, Single Charger Prof 3000. Charger for one Li-Ion battery including AC/DC adaptor and cigarette lighter	\$	140
--------	----------------------------------------------------------------------------------------------------------------	----	-----

FlexLine Total Stations

Cables



Data Transfer Cables

563625	GEV102, Data transfer cable, connects a TPS or DNA to PC (9-pin RS232 serial), 2m.	\$	130
734697	GEV186, Y-cable, connects TPS1200+ to TCPS28 and external battery.	\$	400
734698	GEV187, Y-cable, connects TPS1200+ to PC (9-pin RS232 serial) and external battery, 2m.	\$	400
756367	GEV217, Data transfer cable, connects CS10/CS15 field controller with CBC01 Lemo connector to TPS1200+, 1.	\$	200
764700	GEV223, Data transfer cable for connecting CS10/CS15 field controller to PC (USB A to USB mini connector).	\$	30
806093	GEV267, Serial Data transfer Cable, converter cable USB A to Lemo0 5-pin, connects PC to Leica Viva Total Sta	\$	200
707525	GK1, Lemo Canon converter 30°, for PC (Lemo to RS232) to be used with GEV186 cable.	\$	100

Data Storage and Data Transfer

Memory Devices

765199	MS1, USB memory stick, 1GB industrial grade	\$	170
--------	---------------------------------------------	----	-----

Optical Accessories

Eyepiece



377802	FOK53, Magnification eyepiece, additional eyepiece for increasing telescope magnification to 42x (modification ir	\$	800
--------	-------------------------------------------------------------------------------------------------------------------	----	-----

Modification in a workshop necessary.

308838	FOK53, Magnification eyepiece, additional eyepiece for increasing telescope magnification to 42x	\$	940
--------	--------------------------------------------------------------------------------------------------	----	-----

Modification ex factory. Can only be ordered with a new instrument.

376236	GOK6, Eyepiece for steep sights, with joint allowing variable sighting angle.	\$	2,410
--------	-------------------------------------------------------------------------------	----	-------

Autocollimation Set

199899	GOA2, Autocollimation eyepiece.	\$	1,610
394787	GEB62, Plug-in lamp, with cable for autocollimation eyepiece.	\$	610
394792	GEB63, Battery box for autocollimation eyepiece and eyepiece lamp.	\$	1,010

Objective

743504	GVO13, Objective solar filter for TPS instruments.	\$	400
--------	----------------------------------------------------	----	-----

Tribrachs

Tribrachs



777508	GDF321, Tribrach without optical plummet	\$	390
777509	GDF322, Tribrach with optical plummet	\$	480
842061	GDF311, Tribrach without optical plummet	\$	250
842062	GDF312, Tribrach with optical plummet	\$	350

Tribrach Accessories

667718	GHM007, Instruments height meter	\$	40
722045	GHT196, Distance holder for height meter.	\$	20

Tripods

296632	GST20, Tripod Telescopic, with accessories.	\$	430
394752	GST20-9, Tripod, Telescopic, with accessories, without pouch	\$	390
667301	GST120-9, Tripod, Telescopic, selfclosing, with accessories, without pouch.	\$	390
332200	GST4, Tripod-star, for setting up tripods on hard and slippery surfaces.	\$	230

Reflector Poles

Standard Poles



385500	GLS11, Reflector pole, telescopic, with circular bubble, cm and ft graduation, extends to 2,15m	\$	230
754391	GLS12, telescopic aluminum total station reflector pole with stub. Snap locks at 2.00m for GNSS antennas. Includ	\$	280
754389	GLS12F, 2m Telescopic aluminium pole, US Feet graduations	\$	280
766359	GLS31, telescopic carbon total station reflector with stub. Snap locks at 2.00m for GNSS antennas. Includes circ	\$	560
667309	GLS111, BASIC Reflector pole, with bull's-eye bubble, cm/ft graduation, extends to 2.60m, with red/white 0.20m	\$	260
667310	GLS112, BASIC, Reflector pole, with bull's-eye bubble, cm/ft graduation, extends to 3.65m, with red/white 0.20m	\$	290
555720	GSR2, Dual strut support for GLS11/GLS11K plumbing pole	\$	400
667319	GSR111, Dual-strut support, for all GLS Poles	\$	320
403428	GZW412, Extension 1m long, for reflector pole GLS11 and carriers	\$	130

Hidden Point Pole

742329	GMP112, Hidden Point Pole Extension for GMP111. Includes miniprism with holder and 30cm adapter pole.	\$	270
--------	-------------------------------------------------------------------------------------------------------	----	-----

Mini Pole

403427	GLS14, Mini reflector pole, (prism/target 20cm over point), with circular bubble.	\$	120
--------	-----------------------------------------------------------------------------------	----	-----

Carriers

Carriers for Reflectors



667313	GRT144, carrier for GPS antenna, EDM reflectors and target plates, pale green.	\$	150
667316	SNLL121, Sensor nadir laser plummet, pale green, with user manual	\$	1,070
428340	GZR3, Precision carrier, with plate level and optical plummet.	\$	1,290
725566	GRZ103, Carrier, with plate level and optical plummet for reflectors, pale green.	\$	340

FlexLine Total Stations

Reflectors



Circular Reflectors

362830	GPR1, Circular prism, in black housing.	\$	240
641617	GPR121, PRO, Circular prism, with holder and target plate	\$	400
641618	GPR111, Circular prism, with holder and target plate	\$	240
753492	GPR113, BASIC Circular prism, with red holder.	\$	200
362820	GPH1, Single-prism holder.	\$	80
400080	GPH3, Three-prism holder.	\$	200
362823	GZT4, Target plate, for GPH1.	\$	70



360° Reflectors

754384	GRZ122, 360° reflector with 5/8" thread adapter for mounting of GPS antenna.	\$	1,750
639985	GRZ4, 360° reflector.	\$	995
644327	GRZ101, 360° mini prism with 1/4" thread fitting.	\$	740
742006	GAD103, Adapter for attaching GRZ101 to all poles with Leica Geosystems stub.	\$	70

Precision Reflectors

555631	GPH1P, Single-prism precision reflector.	\$	1,480
--------	------------------------------------------	----	-------

Mini Reflectors

641662	GMP101, Mini prism, incl. bubble, target plate and spike, in bag, also suitable for GLS11 and GRT44 (same height)	\$	270
641762	GMP104, Mini prism, with L-bar, for fixed installations.	\$	150
641615	GMP111, Mini prism, BASIC, incl. bubble, with GLS115 and GHT111.	\$	280
642534	GMP111-0, Mini prism 0-Constante, BASIC, incl. bubble, with GLS115 and GHT111.	\$	290
743503	GAD105, Adapter for GMP111 to all poles with Leica Geosystems stub.	\$	70



Reflector Tape

763532	GZM29, Reflective tape, 20x20mm for short range, pack of 20 pieces.	\$	70
763533	GZM30, Reflective tape, 40x40mm for medium range, pack of 20 pieces.	\$	90
763534	GZM31, Reflective tape, 60x60mm for long range, pack of 20 pieces.	\$	110

Containers

Additional Containers

744501	GDZ66, Backstraps (2) for GVP640 and GVP642 hard container.	\$	40
667451	GVP609, Container for 2 Circular Prisms - GPR111/112, 2 Laser Plummets and 2 Tribrachs	\$	170
727589	CTC102, Soft bag with shoulder strap, for prism station, consist of tribrach, prism carrier or laser plummet and prism	\$	70
817055	GVP722, Hard container for SmartAntenna, CS Field Controller and accessories for a SmartPole and SmartStatic	\$	230

Customer Care Packages - FlexLine Total Stations



Basic

6002580	1 yr TS02/06/09 Basic CCP	\$	600
6002581	2 yr TS02/06/09 Basic CCP	\$	1,090
6002582	3 yr TS02/06/09 Basic CCP	\$	1,520

Blue

6002583	1 yr TS02/06/09 Blue CCP	\$	1,230
6002584	2 yr TS02/06/09 Blue CCP	\$	2,230
6002585	3 yr TS02/06/09 Blue CCP	\$	3,130

Bronze

6003076	2 yr TS02/06/09 Bronze CCP	\$	1,640
6003077	3 yr TS02/06/09 Bronze CCP	\$	2,510
6003078	1 yr Ext. TS02/06/09 Bronze CCP	\$	1,150





Silver

6002586	2 yr TS02/06/09 Silver CCP	\$	2,780
6002587	3 yr TS02/06/09 Silver CCP	\$	4,120
6002588	1 yr Ext. TS02/06/09 Silver CCP	\$	1,780

Gold

6002589	3 yr TS02/06/09 Gold CCP	\$	5,150
---------	--------------------------	----	-------

Field Controller (CS20)

USA	Effective Date	6-Aug-18			\$USD
	Product Code	Sub-Code	Description		Price
Viva Field Controllers					
Leica Viva - Field Controllers (CS20 Series)					
Field Controllers - CS20					
	823164		CS20 Field Controller Ruggedized WinEC7 field controller with full 5" WVGA touch display, 2 GB eMMC Flash Memory, 1 GB SDRAM, SD card slot, 5MP camera and LED flash, Includes internal Bluetooth / WLAN module QWERTY keypad, stylus.	\$	3,230
	823165		CS20 3.75G Field Controller. Ruggedized WinEC7 field controller with full 5" WVGA touch display, 2 GB eMMC Flash Memory, 1 GB SDRAM, SD card slot, 5MP camera and LED flash, Includes internal Bluetooth / WLAN module 3.75G GSM/UMTS module, internal TS Bluetooth radio module, QWERTY keypad, stylus.	\$	5,230
	823169		CS20 3.75G Disto Field Controller Ruggedized WinEC7 field controller with full 5" WVGA touch display, 2 GB eMMC Flash Memory, 1 GB SDRAM, SD card slot, 5MP camera and LED flash, Includes internal Bluetooth / WLAN module 3.75G GSM/UMTS module, internal TS Bluetooth radio module, integrated Disto module, QWERTY keypad, stylus.	\$	5,930
	823167		CS20 3.75G / CDMA Disto Field Controller. Ruggedized WinEC7 field controller with full 5" WVGA touch display, 2 GB eMMC Flash Memory, 1 GB SDRAM, SD card slot, 5MP camera and LED flash, Includes internal Bluetooth / WLAN module combined CDMA/3.75G module, internal TS Bluetooth radio module, integrated Disto module, QWERTY keypad, stylus.	\$	5,930
Stylus and Anti-Glare Display Foils for CS20 Field Controllers					
	813914		GDZ71, Pen with tether clip interface for CS20 field controller and TS16/MS60/TS60 Instruments	\$	10
	813582		GHT76, Tether to connect GDZ71 Pen to CS20 field controller.	\$	10
	813781		SPF05, 5" WVGA display foils for CS20 field controller and TS16/MS60/TS60 instruments	\$	30
Accessories for CS20 Field Controllers					
	807245		GHT68, Utility hook for attaching a CS20 field controller to belt or tripod.	\$	30
	807158		GHT67, Hand strap for CS20 field controller.	\$	40
	845832		GHT70, Holder for attaching a CS field controller or a CS field tablet to a tripod	\$	160
CTR20 TPS Bluetooth Expansion Pack					
CTR20 TPS Bluetooth Expansion Pack					
	808038		CTR20, TS communication expansion pack with integrated radio module for CS20 3.75G field cont. variants Used to establish long range radio connection connection between CS20 Field controller and TS Total Stations equipped with RH16 (frequency range 2402 - 2480 MHz)	\$	1,530
Requires a GAT25 Radio Antenna.					
	812027		GAT25, Radio antenna for CTR20 long range TS communication module (frequency range 2402 - 2480	\$	150
Recommended only for robotic applications systematically exceeding ranges beyond 400 m.					
CGR UHF RTK Expansion Pack					
CGRTPS UHF Expansion Pack					
	798497		CGR4 UHF RTK radio expansion pack for receiving GNSS RTK corrections, 403-470 MHz.	\$	1,710
	817014		GAT26 UHF radio antenna for CGR4 radio, 400-470MHz	\$	150
Batteries					
Internal Batteries for CS20 Field Controller					
	799190		GEB331, Li-Ion battery, 12.2V/2.8Ah, rechargeable, for CS20.	\$	190
Battery Chargers					
Professional 5000					
	799187		GKL341, Charger Prof 5000. Charges up to 4 batteries, including power cable.	\$	750
	734389		GDC221, Car adapter for the GKL221 charger. Allows the use of the GKL221 with a cigarette lighter; 12V/24V DC	\$	200
Professional 3000					
	799185		GKL311, Single Charger Prof 3000. Charger for one Li-Ion battery including AC/DC adaptor and cigarette lighter	\$	140
Data Storage and Data Transfer					
Memory Devices					
	767856		MSD1000, SD Memory Card 1GB for CS and GS units	\$	200
	789139		MSD08, SD memory card 8GB	\$	500
	765199		MS1, USB memory stick, 1GB industrial grade	\$	170
Card Reader and Adapter					
	767895		MCR7, Card Reader for SD/CF Cards	\$	670
	733258		MCFAD1, Compact Flash PC Card adapter	\$	70
Additional Power Accessories					
AC/DC Power Supply Adaptor for CS Field Controller					
	822787		GEV276, Power supply unit for CS20, for indoor use only. Input 100-240 VAC to output	\$	90

Field Controller (CS20)

Pole Accessories for CS20 Field Controller



Field Controller Holder for Pole

807157	GHT66, Holder attaching a CS20 with a GHT63 clamp to a pole. GHT63 is not included.	\$ 130
767880	GHT63, Clamp arrangement for attaching the GHT62 holder to all poles.	\$ 150

Containers

Additional Containers

817057	GVP724, Small-sized hard container for 360° prism and controller for TS Robotic Pole setup	\$ 140
--------	--------------------------------------------------------------------------------------------	--------

Customer Care Packages - Field Controller - CS20



Basic

6009619	1 yr CS20 Basic CCP	\$ 560
6009620	2 yr CS20 Basic CCP	\$ 1,010
6009621	3 yr CS20 Basic CCP	\$ 1,440
6009622	5 yr CS20 Basic CCP	\$ 2,400

Blue

6009632	1 yr CS20 Blue CCP	\$ 810
6009633	2 yr CS20 Blue CCP	\$ 1,460
6009634	3 yr CS20 Blue CCP	\$ 2,060
6009635	5 yr CS20 Blue CCP	\$ 3,440

Bronze

6009641	2 yr CS20 Bronze CCP	\$ 1,290
6009642	3 yr CS20 Bronze CCP	\$ 1,950
6009643	5 yr CS20 Bronze CCP	\$ 3,380
6009644	1 yr Ext. CS20 Bronze CCP	\$ 840

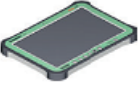


Silver

6009652	2 yr CS20 Silver CCP	\$ 1,740
6009653	3 yr CS20 Silver CCP	\$ 2,570
6009654	5 yr CS20 Silver CCP	\$ 4,420
6009655	1 yr Ext. CS20 Silver CCP	\$ 1,090



Gold

6009659	3 yr CS20 Gold CCP	\$ 2,570
6009660	5 yr CS20 Gold CCP	\$ 4,420

Field tablet (CS35)

USA	Effective Date	6-Aug-18			\$USD Price
	Product Code	Sub-Code	Description		
Viva Field Tablet					
Leica Viva - Field Tablet (CS35)					
Tablet Field Controllers - CS35					
	848131		CS35-2. US/CA, Ruggedized Win10.1 Pro 64-bit Tablet Computer including: 10" touch-widescreen, 128 GB SSD hard drive, 8 GB SDRAM, WLAN 802.11 b/g/n, 3G Integrated Mobile Broadband module, Bluetooth v4.0, Stylus, Integrated GPS, 1x Battery (4.4Ah) AC/DC adaptor and 5MP camera with flash.	\$	5,980
All CS35 Tablets are delivered with stylus, tether, one GEB235 Lithium-Ion battery (10.8 V/4.1 Ah, rechargeable) and country specific AC/DC adaptor.					
Stylus and Anti-Glare Display Foils for CS35 Field Controllers					
	851539		GDZ76 Digitiser Pen for CS35	\$	110
	832121		GDZ75, Digitiser Pen for CS35 Tablet.	\$	80
	832122		GHT77, Tether to tie GDZ75 Digitiser Pen to CS35 Tablet.	\$	20
	832126		SPF06, Screen protection foils for CS35 Tablet.	\$	110
Accessories for CS35 Tablets					
	833343		GHT79, Hand strap for CS35 Tablet. Including 4 high corner guards	\$	100
	845832		GHT70, Holder for attaching a CS field controller or a CS field tablet to a tripod	\$	160
CTR35 Long-range Bluetooth device					
CTR35 Long-range Bluetooth device					
	844474		CTR35 long Range Bluetooth Device for CS35	\$	750
Recommended only for Robotic applications requiring extended range					
Batteries					
Internal Batteries for CS35 - Field tablet					
	832119		GEB235, Lithium-Ion battery, 10.8 V/4.1 Ah, rechargeable, for CS35 Tablet.	\$	260
	832120		GEB236, Lithium-Ion battery, 10.8 V/8.7 Ah, rechargeable, for CS35	\$	310
Battery Chargers					
Charger for CS35 - Field Tablet					
	832118		GKL235, Charger for CS35 batteries GEB235 and GEB236. Country specific AC/DC adaptor (GEV280-x) not incl	\$	330
Additional Power Accessories					
AC/DC Power Supply Adaptor for CS35 Field Tablet					
	832115		GEV280-3, AC/DC adaptor, US. Power Supply for CS35 Tablet.	\$	130
Pole Accessories for CS35 Field Tablet					
Field Tablet Holder for Pole					
	832127		GHT78, Tablet holder for attaching a CS35 Tablet with a GHT63 clamp to a pole. GHT63	\$	410
	767880		GHT63, Clamp arrangement for attaching the GHT62 holder to all poles.	\$	150
Customer Care Packages - Field Tablets - CS35					
	Basic				
	6009623		1 yr CS35 Basic CCP	\$	560
	6009624		2 yr CS35 Basic CCP	\$	1,010
	6009625		3 yr CS35 Basic CCP	\$	1,440
	6009626		5 yr CS35 Basic CCP	\$	2,400
	Bronze				
	6009645		5 yr CS35 Bronze CCP	\$	2,910
	6009646		1 yr Ext. CS35 Bronze CCP	\$	840

Captivate SW for CS20 & CS35

USA	Effective Date	6-Aug-18			\$USD
	Product Code	Sub-Code	Description		Price
Captivate Software - CS20					
Leica Captivate Software for CS20 Field Controller					
	Captivate Software for CS20 Field Controller				
	827698		Leica Captivate - Measure & Stakeout for CS20.	\$	1,500
Leica Captivate Software for CS20 - Optional Application Programs					
Optional Applications for Leica Captivate Software					
	827701		CS20 - Area Diviaion	\$	210
	827702		CS20 - Stake DTM	\$	250
	827699		CS20 - Measure and Stake to Line	\$	250
	827700		CS20 - Measure to Plane / Grid	\$	460
	827704		CS20 - Measure and Stake to Road	\$	930
	827705		CS20 - Measure and Stake to Tunnel	\$	1,240
	827706		CS20 - Measure and Stake to Rail	\$	1,130
	827711		CS20 - Sets of Angles	\$	360
	827703		CS20 - Volume Calculations	\$	310
	827708		CS20 - Hidden Point	\$	310
	827709		CS20 - Traverse	\$	400
	827712		CS20 - QuickVolume	\$	770
	834301		CS20 - Set Orientation	\$	150
	834305		CS20 - Auto Setup	\$	310
	839679		CS20 - Inspect Surfaces - (Captivate)	\$	1,540
	836670		CS20 - Tunnel Profile Generator	\$	770
	834310		CS20 - Seismic Stakeout - (Captivate)	\$	620
	834308		CS20 - Seismic Export - (Captivate)	\$	150
	848370		CS20 - Monitoring	\$	1,540
	850623		CS20 - ESRI Shapefile Exporter	\$	410
	865038		CS20 - Pipeline	\$	2,400
	848368		CS20 - Inventory	\$	620
	870555		CS20 - Quick Ground (Mtl)	\$	130
	870552		CS20 - Trig Level (Mtl)	\$	150
	855971		#N/A	\$	#N/A
Optional Licenses for CS20 Field Controller					
	827714		CS20 - Leica Active Assist	\$	N/C
	827715		CS20 - Leica Exchange (One-Time Activation Fee)	\$	50
	5303935		1 yr Leica Exchange Standard & myWorld Transfer	\$	120
	5303937		1 yr Leica Exchange Professional & myWorld Transfer	\$	780
	5305372		1 yr Leica Exchange Enterprise & myWorld Transfer	\$	3,370
Leica Captivate Software for CS35 Field Tablet					
	Captivate Software for CS35 Field Tablet				
	827719		Leica Captivate - Measure & Stakeout for CS35.	\$	1,500
Leica Captivate Software for CS35 - Optional Application Programs					
Optional Applications for SmartWorx Viva					
	827722		CS35 - Area Diviaion	\$	210
	827723		CS35 - Stake DTM	\$	250
	827720		CS35 - Measure and Stake to Line	\$	250
	827721		CS35 - Measure to Plane / Grid	\$	460
	827725		CS35 - Measure and Stake to Road	\$	930
	827726		CS35 - Measure and Stake to Tunnel	\$	1,240
	827727		CS35 - Measure and Stake to Rail	\$	1,130
	827730		CS35 - Sets of Angles	\$	360
	827724		CS35 - Volume Calculations	\$	310
	827728		CS35 - Hidden Point	\$	310
	827729		CS35 - Traverse	\$	400
	827731		CS35 - QuickVolume	\$	770
	834688		CS35 - Set Orientation	\$	150
	834691		CS35 - Auto Setup	\$	310
	839681		CS35 - Inspect Surfaces - (Captivate)	\$	1,540
	836671		CS35 - Tunnel Profile Generator	\$	770
	834396		CS35 - Seismic Stakeout - (Captivate)	\$	750
	834394		CS35 - Seismic Export - (Captivate)	\$	200
	848371		CS35 - Monitoring	\$	1,540
	850624		CS35 - ESRI Shapefile Exporter	\$	410
	865039		CS35 - Pipeline	\$	2,400
	848369		CS35 - Inventory	\$	620
	870550		CS35 - Quick Ground (Mtl)	\$	130
	870553		CS35 - Trig Level (Mtl)	\$	150

Captivate SW for CS20 & CS35

Optional Licenses for CS35 Field Tablet

827734	CS35 - Leica Exchange (One-Time Activation Fee)	\$	50
5303935	1 yr Leica Exchange Standard & myWorld Transfer	\$	120
5303937	1 yr Leica Exchange Professional & myWorld Transfer	\$	780
5305372	1 yr Leica Exchange Enterprise & myWorld Transfer	\$	3,370

Field Controller (CS15)

USA	Effective Date	6-Aug-18			\$USD
	Product Code	Sub-Code	Description		Price
Field Controllers - CS15					
Leica Viva - Field Controllers					
Field Controllers - CS15					
	848515		CS15 3.5G Field Controller (US/CA). Ruggedized WinCE field controller with full VGA touch display Available with either Lemo connector (CBC01) or DSUB connector module(CBC02 Available with either Lemo connector (CBC01) or DSUB connector module(CBC02	\$	4,750
Stylus and Anti-Glare Display Foils for CS10/CS15 Field Controllers					
	781521		GDZ69, Extra pen with allen key for CS10 and CS15 field controller	\$	10
	767876		GDZ68, Extra pen with screw-driver for CS10 and CS15 field controller	\$	40
	799660		SPF04, Screen protection foil set for TS09+/TS11/TS12/TS15/Leica Nova and CS10/CS15 field controller	\$	30
Hand Strap for CS10/CS15 Field Controllers					
	767877		GHT61, Hand strap for CS10 and CS15 field controller with utility hook for attaching to belt or tripod	\$	70
Soft Bag for CS10/CS15 Field Controllers					
	767904		GVP643, Soft bag for CS10 field controller for transportation and protection against dirt. Including belt loop.	\$	30
	767905		GVP644, Soft bag for CS15 field controller field controller for transportation and protection against dirt. Including	\$	30
Connector Modules for CS10/CS15 System Controller					
Connector Modules for CS10/CS15 Field Controllers					
	767874		CBC01, Lemo Connector module with Power jack, Lemo (USB and Serial) and USB A Host for CS10 and CS15 f	\$	240
	767875		CBC02, DSUB Connector module with Power jack, DSUB 9-pin, USB A Host and USB Mini AB for CS10 and CS	\$	160
Can only be ordered with CS10/CS15 System Controller					
Communication Cap (TPS Radio)					
Robotic Radio Communication Cap					
	788855		CRT16, Communication Cap with integrated Bluetooth module and antenna for CS15 Field Controllers	\$	1,530
Batteries					
Internal Batteries for CS10/CS15					
	772806		GEB212, Lithium Ion battery, 7.4V / 2.6Ah, chargeable	\$	140
Battery Chargers					
Professional 5000					
	799187		GKL341, Charger Prof 5000. Charges up to 4 batteries, including power cable.	\$	750
	734389		GDC221, Car adapter for the GKL221 charger. Allows the use of the GKL221 with a cigarette lighter; 12V24V DC	\$	200
Professional 3000					
	799185		GKL311, Single Charger Prof 3000. Charger for one Li-Ion battery including AC/DC adaptor and cigarette lighter	\$	140
Data Storage and Data Transfer					
Memory Devices					
	767856		MSD1000, SD Memory Card 1GB for CS and GS units	\$	200
	789139		MSD08, SD memory card 8GB	\$	500
	733257		MCF256, industrial grade CompactFlash card 256MB.	\$	200
	745995		MCF1000, industrial grade CompactFlash card 1GB.	\$	340
	765199		MS1, USB memory stick, 1GB industrial grade	\$	170
Card Reader and Adapter					
	767895		MCR7, Card Reader for SD/CF Cards	\$	670
	733258		MCFAD1, Compact Flash PC Card adapter	\$	70
Additional Power Accessories					
AC/DC Power Supply Adaptor for CS Field Controller					
	773753		GEV235-1, AC/DC adapter US, for power supply to CS10/15	\$	30
Pole Accessories for CS10/CS15 Field Controller					
Field Controller Holder for Pole					
	767879		GHT62, Pole holder base plate for CS10 and CS15 field controller.	\$	70
	767880		GHT63, Clamp arrangement for attaching the GHT62 holder to all poles.	\$	150

Field Controller (CS15)

Cables for CS10/CS15 Field Controller

Cable Adapters

707525	GK1, Lemo Canon converter 30°, for PC (Lemo to RS232) to be used with GEV186 cable.	\$	100
--------	-------------------------------------------------------------------------------------	----	-----

Data Transfer Cable

764700	GEV223, Data transfer cable for connecting CS10/CS15 field controller to PC (USB A to USB mini connector).	\$	30
767899	GEV234, 1.65m USB connection cable. (Lemo to USB A)1.) to connect the CS field controller to GS10/GS15 re	\$	210
772807	GEV237, 1.65 m USB connection cable, to connect GS15/GS10 receiver to Lemo port on a CS field controller (w	\$	200
733283	GEV163, Data transfer cable, connects CS10/CS15 field controller with CSC01 Lemo connector to TS30/TM30, 1	\$	200
756367	GEV217, Data transfer cable, connects CS10/CS15 field controller with CBC01 Lemo connector to TPS1200+, 1.	\$	200

Power Cables

758469	GEV219, Power Cable,1.8m, connects GS10/GS15, CS10/CS15 (with Lemo CBC01 connector module) TS/TM5	\$	200
--------	---------------------------------------------------------------------------------------------------	----	-----

Containers

Additional Containers

817057	GVP724, Small-sized hard container for 360° prism and controller for TS Robotic Pole setup	\$	140
--------	--------------------------------------------------------------------------------------------	----	-----

Leica Viva - Field Controllers (CS10/CS15) and SmartWorx Viva CCPs



Basic

6003689	1 yr Viva (CS10/15+SmartWorx) Basic CCP	\$	560
6003690	2 yr Viva (CS10/15+SmartWorx) Basic CCP	\$	1,010
6003691	3 yr Viva (CS10/15+SmartWorx) Basic CCP	\$	1,440

Blue

6003701	1 yr Viva (CS10/15+SmartWorx) Blue CCP	\$	810
6003702	2 yr Viva (CS10/15+SmartWorx) Blue CCP	\$	1,460
6003703	3 yr Viva (CS10/15+SmartWorx) Blue CCP	\$	2,060

Bronze

6003713	2 yr Viva (CS10/15+SmartWorx) Bronze CCP	\$	1,260
6003714	3 yr Viva (CS10/15+SmartWorx) Bronze CCP	\$	1,890
6003715	1 yr Ext. Viva (CS10/15 + SmartWorx) Bronze CCP	\$	810

Silver

6003725	2 yr Viva (CS10/15+SmartWorx) Silver CCP	\$	1,710
6003726	3 yr Viva (CS10/15+SmartWorx) Silver CCP	\$	2,510
6003727	1 yr Ext. Viva (CS10/15 + SmartWorx) Silver CCP	\$	1,060

Gold

6003731	3 yr Viva (CS10/15+SmartWorx) Gold CCP	\$	2,510
---------	----------------------------------------	----	-------

SmartWorX Viva SW for CS15

USA	Effective Date	6-Aug-18			\$USD Price
	Product Code	Sub-Code	Description		
SmartWorX Viva Software - CS15					
SmartWorX Viva Software & Application Programs for CS10/15 Field Controllers					
SmartWorX Viva Software for CS10/CS15 System Controller					
	807728		Leica Nova & Leica Viva Documentation USB card		\$ N/C
	767909		CS SmartWorX Viva License key		\$ 860
SmartWorX Viva LT and SmartWorX Viva requires 767908 SmartWorX Viva Software					
	767911		CS SmartWorX Viva LT to SmartWorX Viva upgrade option		\$ 430
				CS Smart-WorX Viva	CS Smart-WorX Viva LT
			Survey Includes:		
			• Survey	●	●
			• Code points	●	●
			• Auto points recording	●	○
			• Remote Heights	●	-
			• Target Offset calculations	●	●
			Setup Includes:		
			• Get station coordinates from GPS, from job or enter manually	●	○
			• Orientation by known Azimuth	●	●
			• Orientation by known Backsight	●	●
			• Orientation & Height transfer to up to 10 target points	●	●
			• Resection up to 10 target points	●	●
			• Resection Helmert	●	●
			• Orientation to Line	●	●
			Stakeout Includes:		
			• Navigate to point using various methods: North, point, to and from total station	●	○
			• Quality control - checking of coordinate differences before storing	●	-
			• Automatic selection of next closest point to stake	●	-
			• Graphical selection of point from map	●	●
			• Edit heights and offset heights of points	●	-
			• Acoustic "reversing beep" when getting closer to point	●	-
			COGO Includes:		
			• Inverse	●	●
			• Traverse	●	●
			• Intersections	●	●
			• Line calculations	●	●
			• Arc calculations	●	●
			• Angle and curve calculator	●	-
			• Shift, Rotate & Scale (manual)	●	●
			• Shift, Rotate & Scale (match Points)	●	●
			Determine coordinate system:		
			• 1 step, 2 step, 3D Transformation	●	●
			• All common projections	●	●
			Alignment Tool Kit:		
			• Horizontal alignments	●	●
			• Vertical alignments	●	●
			• Cross sections	●	●
			• Chainage equations	●	●
			Data Import: ASCII, DXF	●	●
			Data export: Custom ASCII, DXF, LandXML, FBK, RWS, RAW	●	●
			● All options and functionality available		
			○ Limited options and functionality		
			- Not available		

SmartWorX Viva Software - Application Programs

Optional Applications for SmartWorx Viva

767917	CS COGO Area Division	\$	120
767919	CS DTM Stakeout	\$	240
767931	CS Monitoring	\$	610
767915	CS Reference Line	\$	370
767916	CS Reference Plane and Grid Scanning	\$	370
767921	CS RoadRunner	\$	920
767923	CS RoadRunner Rail	\$	1,100
767922	CS RoadRunner Tunnel	\$	1,280
777645	CS RoadRunner Importer	\$	180
767929	CS Sets of Angles	\$	310
767918	CS Survey Cross Section	\$	240
767920	CS Surface and Volumes	\$	240
767926	CS TPS Hidden Point	\$	240
767927	CS Traverse	\$	120
807770	CS Quick Volumes	\$	850
789390	CS Unlevelled Setup App.	\$	610

	SmartWorx Viva	SmartWorx Viva LT
COGO Area Division Requires COGO application.	●	●
DTM Stakeout Requires Stakeout application.	●	●
Monitoring Requires Sets of Angles application.	●	-
Reference Line Requires Stakeout application.	●	○
Reference Plane and Face Scan	●	-
RoadRunner	●	○
RoadRunner Rail	●	-
RoadRunner Tunnel	●	-
Sets of Angles	●	-
Survey Cross Section	●	-
Survey Surface and Volumes	●	●
TPS Hidden Point	●	-
Traverse	●	-

- All options and functionality available
- Limited options and functionality
- Not available

SmartWorx Viva Application Packages for CS units

767913	CS Worksite+ Includes: Survey+ • CS DTM Stakeout application (767919) • CS Reference Line application (767915)	\$	550
767912	CS Survey+ includes: • CS Reference Plane and Grid Scanning (767916) • CS Cross Section (767918) • CS Trav	\$	800

Optional Licenses for CS10/CS15 Field Controller

781486	CS Imaging License - Allows a TS Image to be linked to a CS Database Object	\$	580
788859	CS SmartWorx Viva LT Extended Settings licence key	\$	610
779474	CS Topcon Total Station Control	\$	90
782287	CS Nikon Total Station Control License	\$	90
782286	CS Sokkia Total Station Control License	\$	90

SmartWorx Viva PC Software

773894	SmartWorx Viva PC Software - License Key allows SmartWorx Viva Software to run on a PC	\$	2,450
--------	----------------------------------------------------------------------------------------	----	-------

Leica Viva - Field Controllers (CS10/CS15) and SmartWorx Viva CCPs



Basic

6003689	1 yr Viva (CS10/15+SmartWorx) Basic CCP	\$	560
6003690	2 yr Viva (CS10/15+SmartWorx) Basic CCP	\$	1,010
6003691	3 yr Viva (CS10/15+SmartWorx) Basic CCP	\$	1,440

Blue

6003701	1 yr Viva (CS10/15+SmartWorx) Blue CCP	\$	810
6003702	2 yr Viva (CS10/15+SmartWorx) Blue CCP	\$	1,460
6003703	3 yr Viva (CS10/15+SmartWorx) Blue CCP	\$	2,060

Bronze

6003713	2 yr Viva (CS10/15+SmartWorx) Bronze CCP	\$	1,260
6003714	3 yr Viva (CS10/15+SmartWorx) Bronze CCP	\$	1,890
6003715	1 yr Ext. Viva (CS10/15 + SmartWorx) Bronze CCP	\$	810

Silver

6003725	2 yr Viva (CS10/15+SmartWorx) Silver CCP	\$	1,710
6003726	3 yr Viva (CS10/15+SmartWorx) Silver CCP	\$	2,510
6003727	1 yr Ext. Viva (CS10/15 + SmartWorx) Silver CCP	\$	1,060

Gold

6003731	3 yr Viva (CS10/15+SmartWorx) Gold CCP	\$	2,510
---------	----------------------------------------	----	-------

Viva GS07

USA	Effective Date	6-Aug-18			\$USD
	Product Code	Sub-Code	Description		Price
Leica Viva - GNSS					
GNSS Receivers					
GS07 GNSS Receivers					
	869374		GS07 SmartAntenna. Geodetic 320 channels GNSS receiver, includes GPS, QZSS, dual-frequency, Network RTK, raw and RINEX data logging and 5 Hz positions. Easily upgradeable to Glonass, Galileo and BeiDou.	\$	7,870
GNSS Receiver Options					
Satellite Signal Tracking Options for Receiver					
	869410		LOP74 GS07 Glonass option.	\$	1,280
	869412		LOP75 GS07 Galileo option.	\$	1,280
	869413		LOP76 GS07 BeiDou option.	\$	1,280
CGR UHF RTK Expansion Pack					
CGR4 UHF RTL Radio Expansion Pack					
	798497		CGR4 UHF RTK radio expansion pack for receiving GNSS RTK corrections, 403-470 MHz.	\$	1,710
UHF Radio Antennas					
	817014		GAT26 UHF radio antenna for CGR4 radio, 400-470MHz	\$	150
Survey Poles and Accessories					
Poles with 5/8" Screw					
	768226		GLS13, telescopic aluminium GNSS pole with 5/8" screw. Snap locks at 1.80m and 2.00m. Includes circular bubb	\$	280
	752292		GLS30, telescopic carbon GNSS pole with 5/8" screw. Snap locks at 1.80m and 2.00m. Includes circular bubble	\$	500
Poles with Stub					
Poles with stub requires GAD31 screw to stub adapter for GS14/15 receiver to mounted on these poles					
	766359		GLS31, telescopic carbon total station reflector with stub. Snap locks at 2.00m for GNSS antennas. Includes circ	\$	560
	667217		GAD31, Screw-to-stub adapter for fitting GPS antenna on carriers with stub and poles with stub.	\$	170
QuickStand					
	560138		GST6, Quickstand with 3 telescopic legs, for aluminum or carbon fiber poles.	\$	470
	667319		GSR111, Dual-strut support, for all GLS Poles	\$	320
Batteries					
Internal Batteries					
	772806		GEB212, Lithium Ion battery, 7.4V / 2.6Ah, chargeable	\$	140
Battery Chargers					
Professional Chargers					
	799187		GKL341, Charger Prof 5000. Charges up to 4 batteries, including power cable.	\$	750
	734389		GDC221, Car adapter for the GKL221 charger. Allows the use of the GKL221 with a cigarette lighter; 12V24V DC	\$	200
Basic Chargers					
	799185		GKL311, Single Charger Prof 3000. Charger for one Li-Ion battery including AC/DC adaptor and cigarette lighter	\$	140
Containers					
All GS14's do not come with a container, you need to order one if you need it.					
Containers					
	833516		GVP716, Backpack carrying systems for all large TPS and GNSS containers.	\$	260
	833517		GVP717, Sidebag for container GVP721/722/723/725.	\$	100
	833518		GVP718, Basic backstrap for container GVP721/722/723/725.	\$	100
	833519		GVP719, Shoulderstrap for container GVP721/722/723/725.	\$	80
	855306		GVP734, GNSS Rover Container	\$	150
	855307		GVP735, GNSS Base+Rover Container	\$	230
	817055		GVP722, Hard container for SmartAntenna, CS Field Controller and accessories for a SmartPole and SmartStatic	\$	230

Customer Care Packages - Leica Viva GNSS

Basic		
6011300	1 yr Viva GNSS (GS0X+CS20) Basic CCP	\$ 640
6011301	2 yr Viva GNSS (GS0X+CS20) Basic CCP	\$ 1,160
6011302	3 yr Viva GNSS (GS0X+CS20) Basic CCP	\$ 1,650
6011303	5 yr Viva GNSS (GS0X+CS20) Basic CCP	\$ 2,730
Blue		
6011304	1 yr Viva GNSS (GS0X+CS20) Blue CCP	\$ 1,010
6011305	2 yr Viva GNSS (GS0X+CS20) Blue CCP	\$ 1,820
6011306	3 yr Viva GNSS (GS0X+CS20) Blue CCP	\$ 2,590
6011307	5 yr Viva GNSS (GS0X+CS20) Blue CCP	\$ 4,300
Bronze		
6011322	2 yr Viva GNSS (GS0X+CS20) Bronze CCP	\$ 1,600
6011323	3 yr Viva GNSS (GS0X+CS20) Bronze CCP	\$ 2,450
6011324	5 yr Viva GNSS (GS0X+CS20) Bronze CCP	\$ 4,230
6011325	1yr Ext. Viva GNSS (GS0X+CS20) Bronze CCP	\$ 1,080
Silver		
6011308	2 yr Viva GNSS (GS0X+CS20) Silver CCP	\$ 2,260
6011309	3 yr Viva GNSS (GS0X+CS20) Silver CCP	\$ 3,390
6011310	5 yr Viva GNSS (GS0X+CS20) Silver CCP	\$ 5,800
6011311	1yrExt. Viva GNSS (GS0X+CS20) Silver CCP	\$ 1,450
Gold		
6011312	3 yr Viva GNSS (GS0X+CS20) Gold CCP	\$ 3,390
6011313	5 yr Viva GNSS (GS0X+CS20) Gold CCP	\$ 5,800

Viva GS08plus

USA	Effective Date	6-Aug-18			\$USD
	Product Code	Sub-Code	Description		Price
Leica Viva - GS08plus GNSS Receiver					
GNSS Receivers					
	GS08plus GNSS Receiver				
	798257		GS08plus GPS/GLONASS Dual Frequency SmartAntenna for the CS10 Field Controller	\$	3,750
GNSS Receiver Options					
	Satellite Signal Tracking Options for Receiver (On Receiver!!!)				
	791827		LOP27 GS08plus GLONASS option	\$	1,140
Note: LOP27 GS08plus GLONASS option is loaded on the GS08plus sensor itself not the CS10, remember to order one for each sensor!					
Note: The following GS08 options are installed on CS field controller.					
	Position Rate and Data Recording Options				
	842742		GSW943 CS20/GS08plus 5Hz option, enables 0.2sec (5Hz) position update rate	\$	680
	842745		GSW944 CS20/GS08plus MDB raw data logging option.	\$	680
	842746		GSW945 CS20/GS08plus RINEX raw data logging option.	\$	450
	RTK Options				
	842743		GSW946 CS20/GS08plus RTK Rover option, includes unlimited baseline and reference network access	\$	3,350
Batteries					
	Internal Batteries				
	772806		GEB212, Lithium Ion battery, 7.4V / 2.6Ah, chargeable	\$	140
Battery Chargers					
	Professional 5000				
	799187		GKL341, Charger Prof 5000. Charges up to 4 batteries, including power cable.	\$	750
	734389		GDC221, Car adapter for the GKL221 charger. Allows the use of the GKL221 with a cigarette lighter; 12V24V DC	\$	200
	Professional 3000				
	799185		GKL311, Single Charger Prof 3000. Charger for one Li-Ion battery including AC/DC adaptor and cigarette lighter	\$	140
Additional Accessories for GS08plus Pole setups - GNSS R0ver					
	Poles with 5/8" Screw				
	768226		GLS13, telescopic aluminium GNSS pole with 5/8" screw. Snap locks at 1.80m and 2.00m. Includes circular bu	\$	280
	752292		GLS30, telescopic carbon GNSS pole with 5/8" screw. Snap locks at 1.80m and 2.00m. Includes circular bubble	\$	500
	Poles with Stub				
Poles with stub requires GAD31 screw to stub adapter for GS15 receiver to mounted on these poles					
	766359		GLS31, telescopic carbon total station reflector with stub. Snap locks at 2.00m for GNSS antennas. Includes circu	\$	560
	667217		GAD31, Screw-to-stub adapter for fitting GPS antenna on carriers with stub and poles with stub.	\$	170
	QuickStand				
	560138		GST6, Quickstand with 3 telescopic legs, for aluminum or carbon fiber poles.	\$	470
	667319		GSR111, Dual-strut support, for all GLS Poles	\$	320
Containers					
	Containers				
	833516		GVP716, Backpack carrying systems for all large TPS and GNSS containers.	\$	260
	833517		GVP717, Sidebag for container GVP721/722/723/725.	\$	100
	833518		GVP718, Basic backstrap for container GVP721/722/723/725.	\$	100
	833519		GVP719, Shoulderstrap for container GVP721/722/723/725.	\$	80
	817052		GVP720, Hard container for SmartAntenna, CS field controller and accessories for a Rover setup	\$	150
	817053		GVP721, Hard container for 2 SmartAntennas, CS field controller and accessories for a Base and Rover setup.	\$	230
	817055		GVP722, Hard container for SmartAntenna, CS Field Controller and accessories for a SmartPole and SmartStatic	\$	230

Customer Care Packages - Leica Viva GS08plus w/CS20



Basic		
6011300	1 yr Viva GNSS (GS0X+CS20) Basic CCP	\$ 640
6011301	2 yr Viva GNSS (GS0X+CS20) Basic CCP	\$ 1,160
6011302	3 yr Viva GNSS (GS0X+CS20) Basic CCP	\$ 1,650
6011303	5 yr Viva GNSS (GS0X+CS20) Basic CCP	\$ 2,730
Blue		
6011304	1 yr Viva GNSS (GS0X+CS20) Blue CCP	\$ 1,010
6011305	2 yr Viva GNSS (GS0X+CS20) Blue CCP	\$ 1,820
6011306	3 yr Viva GNSS (GS0X+CS20) Blue CCP	\$ 2,590
6011307	5 yr Viva GNSS (GS0X+CS20) Blue CCP	\$ 4,300
Bronze		
6011322	2 yr Viva GNSS (GS0X+CS20) Bronze CCP	\$ 1,600
6011323	3 yr Viva GNSS (GS0X+CS20) Bronze CCP	\$ 2,450
6011324	5 yr Viva GNSS (GS0X+CS20) Bronze CCP	\$ 4,230
6011325	1yr Ext. Viva GNSS (GS0X+CS20) Bronze CCP	\$ 1,080
Silver		
6011308	2 yr Viva GNSS (GS0X+CS20) Silver CCP	\$ 2,260
6011309	3 yr Viva GNSS (GS0X+CS20) Silver CCP	\$ 3,390
6011310	5 yr Viva GNSS (GS0X+CS20) Silver CCP	\$ 5,800
6011311	1yrExt. Viva GNSS (GS0X+CS20) Silver CCP	\$ 1,450
Gold		
6011312	3 yr Viva GNSS (GS0X+CS20) Gold CCP	\$ 3,390
6011313	5 yr Viva GNSS (GS0X+CS20) Gold CCP	\$ 5,800

Customer Care Packages - Leica Viva GS08plus w/CS15 and/or CS10

Basic		
6004740	1 yr Viva (GS08+CS10/15+SW) Basic CCP	\$ 560
6004741	2 yr Viva (GS08+CS10/15+SW) Basic CCP	\$ 1,010
6004742	3 yr Viva (GS08+CS10/15+SW) Basic CCP	\$ 1,440
Blue		
6004749	1 yr Viva (GS08+CS10/15+SW) Blue CCP	\$ 870
6004750	2 yr Viva (GS08+CS10/15+SW) Blue CCP	\$ 1,560
6004751	3 yr Viva (GS08+CS10/15+SW) Blue CCP	\$ 2,220
Bronze		
6004758	2 yr Viva (GS08+CS10/15+SW) Bronze CCP	\$ 1,420
6004759	3 yr Viva (GS08+CS10/15+SW) Bronze CCP	\$ 2,180
6004760	1 yr Ext. Viva (GS08+CS10/15+SW) Bronze CCP	\$ 970
Silver		
6004767	2 yr Viva (GS08+CS10/15+SW) Silver CCP	\$ 1,970
6004768	3 yr Viva (GS08+CS10/15+SW) Silver CCP	\$ 2,960
6004769	1 yr Ext. Viva (GS08+CS10/15+SW) Silver CCP	\$ 1,280
Gold		
6004776	3 yr Viva (GS08+CS10/15+SW) Gold CCP	\$ 2,960

USA Effective Date 6-Aug-18
 Product Code Sub-Code

Leica Viva - GNSS

GNSS Receivers



GS14 GNSS Receivers
 843507 GS14 3.75G & L



GNSS Receiver Options

Satellite Signal Tracking Options

805197 LOP35, GPS L2
 795981 LOP29, GS14 C
 795982 LOP30, GS14 C
 807863 LOP39, BeiDou

Position Rate and Data Recording Options

795983 LOP31, 20 Hz o
 767810 LOP7, Raw Data
 767811 LOP8, RINEX o
 767818 LOP15, NMEA c

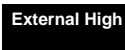
RTK Options

771497 LOP16, DGPS/F
 767813 LOP10, Unlimite
 767815 LOP12, Unlimite
 767817 LOP14, Upgrad

Other Options

767816 LOP13, RTK Re
 771498 LOP17, OWI en

RTK Modems



Satellite UHF Radio Modems

828005 GFU30, Satellin

Cable for Satellite Radio Modem

733297 GEV171, 1.8m c

Accessories for Mounting External Radios

RTK Antenna Arm

767790 GAD108, Arm tc

Gainflex Radio Antennas

639964 GAT1, Gainflex
 667243 GAT2, Gainflex



Accessories for Mounting External Radios

Adaptor

767791 GAD109, Transi

RTK Antenna Cables

636959 GEV120, 2.8m ε
 667201 GEV142, 1.6m ε

Telescopic Rod, Antenna Arm

667228 GAD32, Telesc
 667220 GAD34, Arm 3c
 667236 GHT36, Base w



Accessories for Using External Radios

Brackets and Holders for GFL

748417 GHT58, Bracket
 767896 GVP64, Holder

Cables for External Radios

733297 GEV171, 1.8m c
 796492 GEV264, Y-Cab
 811818 GEV274, Y-Cab

Survey Poles and Accessories



Poles with 5/8" Screw

768226	GLS13, telescop
752292	GLS30, telescop

Poles with Stub

766359	GLS31, telescop
667217	GAD31, Screw-l

QuickStand

560138	GST6, Quicksta
667319	GSR111, Dual-s

Set Up on Tripod



Tribrachs

777508	GDF321, Tribra
777509	GDF322, Tribra
842062	GDF312, Tribra



Tripods

399244	GST05, Tripod, T
563630	GST05L, Tripod
667301	GST120-9, Tripx

Carriers

667216	GRT146, Carrie
667313	GRT144, carrier
667217	GAD31, Screw-l

Height Hook

667244	GZS4-1, Height
--------	----------------

Batteries



Internal Batteries

772806	GEB212, Lithiur
--------	-----------------

External Batteries

818916	GEB371, Extern
--------	----------------

Battery Chargers



Professional Chargers

799187	GKL341, Charg
734389	GDC221, Car ar

Basic Chargers

799185	GKL311, Single
--------	----------------

Power Cables

Power Cables for GS14

758469	GEV219, Powe
439038	GEV71, 4m car

Data Storage and Data Transfer



Memory Devices

795993	MMSD01, micro
--------	---------------

Card Reader

767895	MCR7, Card Re
--------	---------------



Data Transfer Cables - Serial

733280	GEV160, 2.8m l
733282	GEV162, 2.8m l
806094	GEV268, Serial
806095	GEV269, Serial

Data Transfer Cables - USB

767899	GEV234, 1,65m
--------	---------------

Cables to Connect GS10/GS14/GS15,



USB Cables

767899	GEV234, 1,65m
772807	GEV237, 1,65 m

Containers



Containers

833516	GVP716, Backp
833517	GVP717, Sideb:
833518	GVP718, Basic
833519	GVP719, Shoul
817052	GVP720, Hard c
817053	GVP721, Hard c
817055	GVP722, Hard c

Customer Care Packages - Leica Viva



Basic

6003686	1 yr Viva GNSS
6003687	2 yr Viva GNSS
6003688	3 yr Viva GNSS
6009618	5 yr Viva GNSS

Blue

6003698	1 yr Viva GNSS
6003699	2 yr Viva GNSS
6003700	3 yr Viva GNSS
6009631	5 yr Viva GNSS

Bronze

6003710	2 yr Viva GNSS
6003711	3 yr Viva GNSS
6009640	5 yr Viva GNSS
6003712	1 yr Ext. Viva Gl

Silver

6003722	2 yr Viva GNSS
6003723	3 yr Viva GNSS
6009651	5 yr Viva GNSS
6003724	1 yr Ext. Viva Gl

Gold

6003730	3 yr Viva GNSS
6009658	5 yr Viva GNSS

Viva GS14

Description	\$USD Price
JHF Performance SmartAntenna (NAFTA)	\$ 10,170
Part Number 843507 - GS14 2.75G & UHF Performance SmartAntenna includes the following LOP's 8805197 - LOP35, GPS L2 option 795983 - LOP31, 20 Hz update rate option 767810 - LOP7, Raw Data Logging option 771497 - LOP16 DGPS/RTCM input/output option 767815 - LOP12, Unlimited RTK and Network RTK 767816 - LOP13, RTK Reference station option	
Options for Receiver	
L2 option, enables GPS L2 and GPS L2C tracking on a GS14 receiver.	\$ 2,870
GLONASS option, enables GLONASS on a GS14 Receiver.	\$ 1,280
Galileo option, enables Galileo on a GS14 Receiver.	\$ 1,280
BeiDou option, enables BeiDou tracking on a GS14 receiver.	\$ 1,280
Logging Options	
20 Hz option, enables to compute positions with an update rate up to 20 Hz on a GS14.	\$ 1,140
Raw Data option, allows logging of GNSS raw data on GS10 or GS15 receiver or on a CS10/CS15 field controller.	\$ 680
RINEX option, allows logging of RINEX data on GS10, GS14, GS15 or GS25 Receiver	\$ 450
NMEA output option, enables NMEA to be streamed from GS10, GS14, GS15 or GS25	\$ 450
RTCM input/output option for GS10 or GS15 receiver, enables a receiver to receive RTCM 1, 2, and 9 messages.	\$ 450
Single Base RTK option, enables RTK positions to be computed from a single base station with no limit of distance.	\$ 1,620
Network RTK option, enables RTK position to be computed from a single base station and within a RTK network.	\$ 2,270
RTK Network option for GS10 or GS15 receivers from RTK unlimited to RTK unlimited including RTK Network. (LOP10 to LOP12).	\$ 1,080
Reference station option, allows a GS10 or GS15 receiver to transmit RTK data.	\$ 1,820
IMU sensor option for GS10/GS14/GS15 sensor	\$ 990
Power Radios such as Satel Epic (35 Watt) External High Power Radios can be found in the section "External High Power Radio Modems"	
Leica M3-TR4 403-470 MHz RX/TX radio in GFU housing. Transceiver UHF radio module. User manual and CE Declaration of Conformity included.	\$ 1,710
Software license to program the Satellite 3AS radio modem inside the GFU14 housing.	\$ 440
UHF Antenna on GS14	
UHF antenna to mount external UHF/GSM Antenna to GS15 SmartAntenna, usefull in areas of poor radio or cellphone network reception. Gainflex antenna.	\$ 200
UHF antenna, frequency range 400-435MHz.	\$ 70
UHF antenna, frequency range 435-470MHz.	\$ 70
UHF Antenna on Second Tripod	
UHF antenna adapter from external UHF/GSM antenna connector of a GS15 SmartAntenna to standard TNC connector. Allows to connect a second antenna.	\$ 80
UHF antenna cable	\$ 110
Extension cable for antenna cable.	\$ 70
Telescopic Rod and Base for Telescopic Rod	
Telescopic rod with 5/8 inch screw. Fits in minipack 667137. Fits in base 667236.	\$ 100
Arm long, screws on telescopic rod. Gainflex antenna fits on arm. Antenna cable connects to arm.	\$ 70
5/8 inch screw, for setting up telescopic rod on tripod.	\$ 70
Options with GS14 Receiver	
Mounting Radios	
Mounting plate to mount a radio built into the Leica GFU radio housing on a tripod.	\$ 70
Mounting plate for Mobile Phones & GFU Radios. Attaches to all GPS poles.	\$ 130
Software license to program the Satellite 3AS radio modem inside the GFU14 housing.	\$ 440
Power cable for GS14, external radio in GFU housing and GEB171 power	\$ 400
Power cable for GS08+/10/12/14/15/25(Port1) - HPR2 - SAE	\$ 340

Viva GS14

aluminum GNSS pole with 5/8" screw. Snap locks at 1.80m and 2.00m. Includes circular bubble	\$	280
carbon GNSS pole with 5/8" screw. Snap locks at 1.80m and 2.00m. Includes circular bubble	\$	500
Poles with stub requires GAD31 screw to stub adapter for GS14/15 receiver to mounted on these poles		
carbon total station reflector with stub. Snap locks at 2.00m for GNSS antennas. Includes circular bubble	\$	560
to-stub adapter for fitting GPS antenna on carriers with stub and poles with stub.	\$	170
stand with 3 telescopic legs, for aluminum or carbon fiber poles.	\$	470
strut support, for all GLS Poles	\$	320
leveling staff without optical plummet	\$	390
leveling staff with optical plummet	\$	480
leveling staff with optical plummet	\$	350
Telescopic, with polymer coating, with accessories.	\$	260
leveling staff, Aluminium, Telescopic, with accessories	\$	200
leveling staff, Telescopic, selfclosing, with accessories, without pouch.	\$	390
mounting bracket with 5/8" screw, GPS antenna screws on directly.	\$	130
mounting bracket for GPS antenna, EDM reflectors and target plates, pale green.	\$	150
to-stub adapter for fitting GPS antenna on carriers with stub and poles with stub.	\$	170
measuring hook with integrated tape measure. Supplied with additional tape graduated in feet and inches.	\$	240
Li-Ion battery, 7.4V / 2.6Ah, chargeable	\$	140
Li-Ion universal battery, Li-Ion, 13 V, 250 Wh, rechargeable	\$	570
charger Prof 5000. Charges up to 4 batteries, including power cable.	\$	750
adaptor for the GKL221 charger. Allows the use of the GKL221 with a cigarette lighter; 12V24V DC/DC Converter.	\$	200
Charger Prof 3000. Charger for one Li-Ion battery including AC/DC adaptor and cigarette lighter cable	\$	140
extension cable, 1.8m, connects GS10/GS15, CS10/CS15 (with Lemo CBC01 connector module) TS/TM50 to GEB171 external battery.	\$	200
power battery cable, connects all battery cables to 12V car battery.	\$	340
SD card 1GB	\$	120
adapter for SD/CF Cards	\$	670
Data transfer cable, for serial connection between GS10 (port 2, port 3) or GS15(port 2) to PC. (Lemo to 9pin RS232)	\$	130
Data transfer cable connects GS10/GS15 receiver (port1) or CS10/CS15 controller (with Lemo CBC01 connector module) or TS30/TM50 to PC.	\$	200
Data transfer cable, converter cable USB to serial (Lemo to USB connector), 2.0m, connects GS10/GS15 receiver (port 2) to PC. PC driver included on CD.	\$	200
Data transfer cable, converter cable USB A to Lemo 1 8-pin, connects TS to PC, PC driver included on CD.	\$	200
Data transfer cable, USB connection cable. (Lemo to USB A)1.) to connect the CS field controller to GS10/GS15 receiver for data transfer. 2.) USB data transfer cable, connects GS15/GS10 receiver to Lemo port on a CS field controller (with Lemo CBC01 connector module)	\$	210
GS25 to CS Field Controller		
In cases where high data speed communication is required between GS10/GS14/GS15 and CS field controller, cables should be used instead of a Bluetooth connection.		
Data transfer cable, USB connection cable. (Lemo to USB A)1.) to connect the CS field controller to GS10/GS15 receiver for data transfer. 2.) USB data transfer cable, connects GS15/GS10 receiver to Lemo port on a CS field controller (with Lemo CBC01 connector module)	\$	210
Data transfer cable, USB connection cable, to connect GS15/GS10 receiver to Lemo port on a CS field controller (with Lemo CBC01 connector module)	\$	200

Viva GS14


All GS14's do not come with a container, you need to order one if you need it.

rack carrying systems for all large TPS and GNSS containers.	\$	260
tag for container GVP721/722/723/725.	\$	100
backstrap for container GVP721/722/723/725.	\$	100
derstrap for container GVP721/722/723/725.	\$	80
container for SmartAntenna, CS field controller and accessories for a Rover setup	\$	150
container for 2 SmartAntennas, CS field controller and accessories for a Base and Rover setup.	\$	230
container for SmartAntenna, CS Field Controller and accessories for a SmartPole and SmartStation setup.	\$	230

a GNSS

(GS1X) Basic CCP	\$	160
(GS1X) Basic CCP	\$	300
(GS1X) Basic CCP	\$	420
(GS1X) Basic CCP	\$	590
(GS1X) Blue CCP	\$	410
(GS1X) Blue CCP	\$	750
(GS1X) Blue CCP	\$	1,040
(GS1X) Blue CCP	\$	1,525
(GS1X) Bronze CCP	\$	690
(GS1X) Bronze CCP	\$	1,120
(GS1X) Bronze CCP	\$	1,465
NSS (GS1X) Bronze CCP	\$	550
(GS1X) Silver CCP	\$	1,140
(GS1X) Silver CCP	\$	1,740
(GS1X) Silver CCP	\$	2,400
NSS (GS1X) Silver CCP	\$	800
(GS1X) Gold CCP	\$	1,740
(GS1X) Gold CCP	\$	2,400

Viva GS16

USA	Effective Date	6-Aug-18			\$USD
	Product Code	Sub-Code	Description		Price
Leica Viva - GNSS					
GNSS Receivers					
	GS16 GNSS Receivers				
	838035		GS16 3.75G & UHF Performance SmartAntenna (NAFTA)	\$	16,340
<p>Part Number 838036 - GS16 2.75G & UHF Performance SmartAntenna includes the following LOP's</p> <p>843510 - LOP53, Multi-frequency option, enables L2, L5 and L-band tracking</p> <p>767808 - LOP5, 20 Hz update rate option</p> <p>771497 - LOP16 DGPS/RTCM input/output option</p> <p>767815 - LOP12, Unlimited RTK and Network RTK</p> <p>767816 - LOP13, RTK Reference station option</p>					
GNSS Receiver Options					
GNSS Software Options					
	843510		LOP53, Multi-frequency option, enables L2, L5 and L-band tracking on a GS10, GS15, GS16 or GS25 receiver.	\$	3,440
	843513		LOP54, GLONASS option, enables GLONASS tracking on a GS10, GS15, GS16 or GS25 receiver.	\$	1,280
	843514		LOP55, Galileo option, enables Galileo tracking on a GS10, GS15, GS16 or GS25 receiver.	\$	1,280
	843515		LOP56, BeiDou option, enables BeiDou tracking on a GS10, GS15, GS16 or GS25 receiver.	\$	1,280
Position Rate and Data Recording Rates					
	767808		LOP5, 20 Hz option, enables to compute positions with an update rate up to 20 Hz	\$	1,140
	767811		LOP8, RINEX option, allows logging of RINEX data on GS10, GS14, GS15 or GS25 Receiver	\$	450
	767818		LOP15, NMEA out option, enables NMEA to be streamed from GS10, GS14, GS15 or GS25	\$	450
RTK Related Options					
	771497		LOP16, DGPS/RTCM input/output option for GS10 or GS15 receiver, enables a receiver to receive RTCM 1, 2,	\$	450
	767813		LOP10, Unlimited RTK option, enables RTK positions to be computed from a single base station with no limit of c	\$	1,620
	767815		LOP12, Unlimited RTK and Network RTK, enables RTK position to be computed from a single base station and	\$	2,270
	767817		LOP14, Upgrade option for GS10 or GS15 receivers from RTK unlimited to RTK unlimited including RTK Network	\$	1,080
Other Options					
	767816		LOP13, RTK Reference station option, allows a GS10 or GS15 receiver to transmit RTK data.	\$	1,820
	771498		LOP17, OWI enable for GS10/GS14/GS15 sensor	\$	990
SmartLink Options					
	5307068		1 yr SmartLink fill Service, enables tracking of TerraStar L-band signals to bridge RTK data outages up to 10 min	\$	1,060
	5307067		1 yr SmartLink Service, enables tracking of TerraStar L-band signals for autonomous precise point positioning an	\$	2,600
	5307118		2 yr SmartLink Service, enables tracking of TerraStar L-band signals for autonomous precise point positioning an	\$	4,610
RTK Modems					
<p>External High Power Radios such as Satel Epic (35 Watt) External High Power Radios can be found in the section "External High Power Radio Modems"</p>					
Satellite UHF Radio Modems					
	828005		GFU30, Satellite M3-TR4 403-470 MHz RX/TX radio in GFU housing. Transceiver UHF radio module. User man	\$	1,710
Cable for Satellite Radio Modem					
	733297		GEV171, 1.8m cable to program the Sateline 3AS radio modem inside the GFU14 housing.	\$	440
Accessories for Mounting External RTK Antenna on GS16					
RTK Antenna Arm					
	767790		GAD108, Arm to mount external UHF/GSM Antenna to GS15 SmartAntenna, usefull in areas of poor radio or cell	\$	200
Gainflex Radio Antennas					
	639964		GAT1, Gainflex radio antenna, frequency range 400-435MHz.	\$	70
	667243		GAT2, Gainflex radio antenna, frequency range 435-470MHz.	\$	70
Accessories for Mounting External RTK Antenna on Second Tripod					
Adaptor					
	767791		GAD109, Transition adapter from external UHF/GSM antenna connector of a GS15 SmartAntenna to standard T	\$	80
RTK Antenna Cables					
	636959		GEV120, 2.8m antenna cable	\$	110
	667201		GEV142, 1.6m extension for antenna cable.	\$	70
Telescopic Rod, Antenna Arm and Base for Telescopic Rod					
	667228		GAD32, Telescopic rod with 5/8 inch screw. Fits in minipack 667137. Fits in base 667236.	\$	100
	667220		GAD34, Arm 3cm long, screws on telescopic rod. Gainflex antenna fits on arm. Antenna cable connects to arm.	\$	70
	667236		GHT36, Base with 5/8 inch screw, for setting up telescopic rod on tripod.	\$	70
Accessories for Using External Radios with GS16 Receiver					
Brackets and Holders for GFU Radios					
	748417		GHT58, Bracket to mount a radio built into the Leica GFU radio housing on a tripod.	\$	70
	767896		GVP64, Holder for Mobile Phones & GFU Radios. Attaches to all GPS poles.	\$	130
Cables for External Radios					
	733297		GEV171, 1.8m cable to program the Sateline 3AS radio modem inside the GFU14 housing.	\$	440
	796492		GEV264, Y-Cable for GS14, external radio in GFU housing and GEB171 power	\$	400
	811818		GEV274, Y-Cable GS08+/10/12/14/15/25(Port1) - HPR2 - SAE	\$	340

Survey Poles and Accessories

Poles with 5/8" Screw

768226	GLS13, telescopic aluminium GNSS pole with 5/8" screw. Snap locks at 1.80m and 2.00m. Includes circular bubb	\$	280
752292	GLS30, telescopic carbon GNSS pole with 5/8" screw. Snap locks at 1.80m and 2.00m. Includes circular bubble	\$	500

Poles with Stub

Poles with stub requires GAD31 screw to stub adapter for GS14/15 receiver to mounted on these poles

766359	GLS31, telescopic carbon total station reflector with stub. Snap locks at 2.00m for GNSS antennas. Includes circ	\$	560
667217	GAD31, Screw-to-stub adapter for fitting GPS antenna on carriers with stub and poles with stub.	\$	170
QuickStand			
560138	GST6, Quickstand with 3 telescopic legs, for aluminum or carbon fiber poles.	\$	470
667319	GSR111, Dual-strut support, for all GLS Poles	\$	320

Set Up on Tripod

Tribrachs

777508	GDF321, Tribrach without optical plummet	\$	390
777509	GDF322, Tribrach with optical plummet	\$	480
842062	GDF312, Tribrach with optical plummet	\$	350

Tripods

399244	GST05, Tripod, Telescopic, with polymer coating, with accessories.	\$	260
563630	GST05L, Tripod, Aluminium, Telescopic, with accessories	\$	200
667301	GST120-9, Tripod, Telescopic, selfclosing, with accessories, without pouch.	\$	390

Carriers

667216	GRT146, Carrier with 5/8" screw, GPS antenna screws on directly.	\$	130
667313	GRT144, carrier for GPS antenna, EDM reflectors and target plates, gale green.	\$	150
667217	GAD31, Screw-to-stub adapter for fitting GPS antenna on carriers with stub and poles with stub.	\$	170

Height Hook

667244	GZS4-1, Height hook with integrated tape measure. Supplied with additional tape graduated in feet and inches.	\$	240
--------	---------------------------------------------------------------------------------------------------------------	----	-----

Batteries

Internal Batteries

772806	GEB212, Lithium Ion battery, 7.4V / 2.6Ah, chargeable	\$	140
--------	-------------------------------------------------------	----	-----

External Batteries

818916	GEB371, External universal battery, Li-Ion, 13 V, 250 Wh, rechargeable	\$	570
--------	------------------------------------------------------------------------	----	-----

Battery Chargers

Professional Chargers

799187	GKL341, Charger Prof 5000. Charges up to 4 batteries, including power cable.	\$	750
734389	GDC221, Car adapter for the GKL221 charger. Allows the use of the GKL221 with a cigarette lighter; 12V24V DC	\$	200
774437	GEV242, Charger for GEB371 external battery.	\$	290

Basic Chargers

799185	GKL311, Single Charger Prof 3000. Charger for one Li-Ion battery including AC/DC adaptor and cigarette lighter	\$	140
--------	----------------------------------------------------------------------------------------------------------------	----	-----

Power Cables

Power Cables for GS16

758469	GEV219, Power Cable, 1.8m, connects GS10/GS15, CS10/CS15 (with Lemo CBC01 connector module) TS/TM5	\$	200
439038	GEV71, 4m car battery cable, connects all battery cables to 12V car battery.	\$	340

Power Supply Unit

807696	GEV270, Power supply unit for TPS/GNSS/LS. For indoor use only. Input 100-240VAC to output 13.2VDC, with c	\$	270
--------	------------------------------------------------------------------------------------------------------------	----	-----

Data Storage and Data Transfer

Memory Devices

795993	MMSD01, microSD card 1GB	\$	120
--------	--------------------------	----	-----

Card Reader

767895	MCR7, Card Reader for SD/CF Cards	\$	670
--------	-----------------------------------	----	-----

Data Transfer Cables - Serial

733280	GEV160, 2.8m Data transfer cable, for serial connection between GS10 (port 2, port 3) or GS15(port 2) to PC. (L	\$	130
733282	GEV162, 2.8m Data transfer cable connects GS10/GS15 receiver (port1) or CS10/CS15 controller (with Lemo CB	\$	200
806094	GEV268, Serial data transfer cable, converter cable USB to serial (Lemo to USB connector), 2.0m, connects GS1	\$	200
806095	GEV269, Serial Data transfer cable, converter cable USB A to Lemo1 8-pin, connects TS to PC, PC driver includ	\$	200

Data Transfer Cables - USB

767899	GEV234, 1,65m USB connection cable. (Lemo to USB A)1.) to connect the CS field controller to GS10/GS15 re	\$	210
--------	-----------------------------------------------------------------------------------------------------------	----	-----

Cables to Connect GS10/GS14/GS15/GS16/GS25 to CS Field Controller

In cases where high data speed communication is required between GS10/GS14/GS15 and CS field controller, cables should be used instead of a Bluetooth connection.

USB Cables

767899	GEV234, 1,65m USB connection cable. (Lemo to USB A)1.) to connect the CS field controller to GS10/GS15 re	\$	210
772807	GEV237, 1.65 m USB connection cable, to connect GS15/GS10 receiver to Lemo port on a CS field controller (w	\$	200

Containers

All GS16's need to be ordered with at least one container.

Containers

833516	GVP716, Backpack carrying systems for all large TPS and GNSS containers.	\$	260
833517	GVP717, Sidebag for container GVP721/722/723/725.	\$	100
833518	GVP718, Basic backstrap for container GVP721/722/723/725.	\$	100
833519	GVP719, Shoulderstrap for container GVP721/722/723/725.	\$	80
817052	GVP720, Hard container for SmartAntenna, CS field controller and accessories for a Rover setup	\$	150
817053	GVP721, Hard container for 2 SmartAntennas, CS field controller and accessories for a Base and Rover setup.	\$	230
817055	GVP722, Hard container for SmartAntenna, CS Field Controller and accessories for a SmartPole and SmartStatic	\$	230

Customer Care Packages - Leica Viva GNSS

Basic

6003686	1 yr Viva GNSS (GS1X) Basic CCP	\$	160
6003687	2 yr Viva GNSS (GS1X) Basic CCP	\$	300
6003688	3 yr Viva GNSS (GS1X) Basic CCP	\$	420
6009618	5 yr Viva GNSS (GS1X) Basic CCP	\$	590

Blue

6003698	1 yr Viva GNSS (GS1X) Blue CCP	\$	410
6003699	2 yr Viva GNSS (GS1X) Blue CCP	\$	750
6003700	3 yr Viva GNSS (GS1X) Blue CCP	\$	1,040
6009631	5 yr Viva GNSS (GS1X) Blue CCP	\$	1,525

Bronze

6003710	2 yr Viva GNSS (GS1X) Bronze CCP	\$	690
6003711	3 yr Viva GNSS (GS1X) Bronze CCP	\$	1,120
6009640	5 yr Viva GNSS (GS1X) Bronze CCP	\$	1,465
6003712	1 yr Ext. Viva GNSS (GS1X) Bronze CCP	\$	550

Silver

6003722	2 yr Viva GNSS (GS1X) Silver CCP	\$	1,140
6003723	3 yr Viva GNSS (GS1X) Silver CCP	\$	1,740
6009651	5 yr Viva GNSS (GS1X) Silver CCP	\$	2,400
6003724	1 yr Ext. Viva GNSS (GS1X) Silver CCP	\$	800

Gold

6003730	3 yr Viva GNSS (GS1X) Gold CCP	\$	1,740
6009658	5 yr Viva GNSS (GS1X) Gold CCP	\$	2,400

GS18T

USA	Effective Date	6-Aug-18			\$USD
	Product Code	Sub-Code	Description		Price
Leica Viva - GNSS					
GNSS Receivers					
GS18 GNSS Receivers					
	855304		GS18 Leica GS18 T LTE & UHF Performance SmartAntenna (NAFTA)	\$	20,120
<div style="background-color: black; color: white; padding: 5px;"> Part Number 855304 - GS18T LTE & UHF Performance SmartAntenna includes the following LOP's 856073 - LOP59, Multi-frequency option, enables L2, L5 and L-band tracking 856080 - LOP64, 20 Hz update rate option 856082 - LOP67 DGPS/RTCM input/output option 856084 - LOP69, Unlimited RTK and Network RTK 856086 - LOP71, RTK Reference station option </div>					
GNSS Receiver Options					
	856073		LOP59, Multi-frequency option, enables L2, L5 and L-band tracking on a GS18 receiver.	\$	3,440
	856074		LOP60, GLONASS option, enables GLONASS tracking on a GS18 receiver.	\$	1,280
	856075		LOP61, Galileo option, enables Galileo tracking on GS18 receiver.	\$	1,280
	856076		LOP62, BeiDou option, enables BeiDou tracking on GS18 receiver.	\$	1,280
Position Rate and Data Recording Rates					
	856079		LOP64, GS18 High update rate option	\$	1,140
	856080		LOP65 RINEX option, allows logging of RINEX data on GS18 receiver	\$	450
	856080		LOP65 RINEX option, allows logging of RINEX data on GS18 receiver	\$	450
	856081		LOP66, NMEA out option, enables NMEA to be streamed from GS18 receivers RTK related options	\$	450
RTK Related Options					
	856082		LOP67, DGPS option for GS18 receivers, enables the receiver to compute a DGPS position.	\$	450
	856083		LOP68, Unlimited RTK option, enables RTK positions to be computed from a single base station with no limit of c	\$	1,620
	856084		LOP69, Unlimited RTK and Network RTK, enables RTK position to be computed from a	\$	2,270
	856085		LOP70, Upgrade option for GS18 receivers from RTK unlimited only to RTK unlimited including RTK Network. (L	\$	1,080
Other Options					
	856086		LOP71, RTK Reference station option, allows a GS18 receiver to transmit RTK data	\$	1,820
	771498		LOP17, OWI enable for GS10/GS14/GS15 sensor	\$	990
SmartLink Options					
	5308082		SmartLink fill option, enables SmartLink fill on GS18 receiver for 1 year.	\$	970
	5308083		SmartLink fill option, enables SmartLink fill on GS18 receiver for 2 years.	\$	1,710
	5308084		SmartLink option, enables SmartLink (including SmartLink fill) on GS18 receiver for 1 year	\$	2,380
	5308085		SmartLink option, enables SmartLink (including SmartLink fill) on GS18 receiver for 2 years	\$	4,220
	5308086		SmartLink fill to SmartLink upgrade, upgrades current SmartLink fill activation to SmartLink on GS18	\$	1,410
	5308087		SmartLink Trial option, enables SmartLink (including SmartLink fill) on GS18 receiver for 1 month.	\$	110

RTK Modems

External High Power Radios such as Satel Epic (35 Watt) External High Power Radios can be found in the section "External High Power Radio Modems"

Satellite UHF Radio Modems

828005	GFU30, Sateline M3-TR4 403-470 MHz RX/TX radio in GFU housing. Transceiver UHF radio module. User man	\$	1,710
--------	-------------------------------------------------------------------------------------------------------	----	-------

Cable for Satellite Radio Modem

733297	GEV171, 1.8m cable to program the Sateline 3AS radio modem inside the GFU14 housing.	\$	440
--------	--------------------------------------------------------------------------------------	----	-----

External RTK Antennas**GS18 RTK Antennas**

834668	GAT27, Multiband LTE antenna	\$	150
--------	------------------------------	----	-----

849256	GAT28, UHF radio antenna, 403-473MHz	\$	70
--------	--------------------------------------	----	----

Gainflex Radio Antennas

639964	GAT1, Gainflex radio antenna, frequency range 400-435MHz.	\$	70
--------	-----------------------------------------------------------	----	----

667243	GAT2, Gainflex radio antenna, frequency range 435-470MHz.	\$	70
--------	-----------------------------------------------------------	----	----

Accessories for Mounting External RTK Antenna on Second Tripod (Base)**RTK Antenna Cables**

772002	GEV238, 1.2m external antenna cable. Connects GS05 or GS06 to the external antenna	\$	130
--------	------------------------------------------------------------------------------------	----	-----

667201	GEV142, 1.6m extension for antenna cable.	\$	70
--------	-------------------------------------------	----	----

Telescopic Rod, Antenna Arm and Base for Telescopic Rod

667228	GAD32, Telescopic rod with 5/8 inch screw. Fits in minipack 667137. Fits in base 667236.	\$	100
--------	------------------------------------------------------------------------------------------	----	-----

667220	GAD34, Arm 3cm long, screws on telescopic rod. Gainflex antenna fits on arm. Antenna cable connects to arm.	\$	70
--------	-------------------------------------------------------------------------------------------------------------	----	----

667236	GHT36, Base with 5/8 inch screw, for setting up telescopic rod on tripod.	\$	70
--------	---------------------------------------------------------------------------	----	----

Accessories for Using External Radios with GS18 Receiver**Brackets and Holders for GFU Radios**

748417	GHT58, Bracket to mount a radio built into the Leica GFU radio housing on a tripod.	\$	70
--------	-------------------------------------------------------------------------------------	----	----

767896	GVP64, Holder for Mobile Phones & GFU Radios. Attaches to all GPS poles.	\$	130
--------	--------------------------------------------------------------------------	----	-----

Cables for External Radios

733297	GEV171, 1.8m cable to program the Sateline 3AS radio modem inside the GFU14 housing.	\$	440
--------	--------------------------------------------------------------------------------------	----	-----

796492	GEV264, Y-Cable for GS14, external radio in GFU housing and GEB171 power	\$	400
--------	--------------------------------------------------------------------------	----	-----

811818	GEV274, Y-Cable GS08+/10/12/14/15/25(Port1) - HPR2 - SAE	\$	340
--------	----------------------------------------------------------	----	-----

Survey Poles and Accessories**Poles with 5/8" Screw**

752292	GLS30, telescopic carbon GNSS pole with 5/8" screw. Snap locks at 1.80m and 2.00m. Includes circular bubble	\$	500
--------	-------------------------------------------------------------------------------------------------------------	----	-----

Holder and Clamp for Poles

767880	GHT63, Clamp arrangement for attaching the GHT62 holder to all poles.	\$	150
--------	-----------------------------------------------------------------------	----	-----

807157	GHT66, Holder attaching a CS20 with a GHT63 clamp to a pole. GHT63 is not included.	\$	130
--------	-------------------------------------------------------------------------------------	----	-----

QuickStand

560138	GST6, Quickstand with 3 telescopic legs, for aluminum or carbon fiber poles.	\$	470
--------	------------------------------------------------------------------------------	----	-----

667319	GSR111, Dual-strut support, for all GLS Poles	\$	320
--------	-----------------------------------------------	----	-----

Set Up on Tripod**Tribrachs**

777508	GDF321, Tribrach without optical plummet	\$	390
--------	------------------------------------------	----	-----

777509	GDF322, Tribrach with optical plummet	\$	480
--------	---------------------------------------	----	-----

842062	GDF312, Tribrach with optical plummet	\$	350
--------	---------------------------------------	----	-----

Tripods

399244	GST05, Tripod, Telescopic, with polymer coating, with accessories.	\$	260
--------	--------------------------------------------------------------------	----	-----

563630	GST05L, Tripod, Aluminium, Telescopic, with accessories	\$	200
--------	---------------------------------------------------------	----	-----

667301	GST120-9, Tripod, Telescopic, selfclosing, with accessories, without pouch.	\$	390
--------	-----------------------------------------------------------------------------	----	-----

Carriers

667216	GRT146, Carrier with 5/8" screw, GPS antenna screws on directly.	\$	130
--------	------------------------------------------------------------------	----	-----

667313	GRT144, carrier for GPS antenna, EDM reflectors and target plates, pale green.	\$	150
--------	--------------------------------------------------------------------------------	----	-----

667217	GAD31, Screw-to-stub adapter for fitting GPS antenna on carriers with stub and poles with stub.	\$	170
--------	-------------------------------------------------------------------------------------------------	----	-----

Height Hook

667244	GZS4-1, Height hook with integrated tape measure. Supplied with additional tape graduated in feet and inches.	\$	240
--------	---------------------------------------------------------------------------------------------------------------	----	-----

Internal Batteries for GS18			
Internal Batteries for GS18			
799190	GEB331, Li-Ion battery, 12.2V/2.8Ah, rechargeable, for CS20.	\$	190
External Batteries			
818916	GEB371, External universal battery, Li-Ion, 13 V, 250 Wh, rechargeable	\$	570
External Power Supply			
External Batteries			
818916	GEB371, External universal battery, Li-Ion, 13 V, 250 Wh, rechargeable	\$	570
Power Cables for GS16			
758469	GEV219, Power Cable, 1.8m, connects GS10/GS15, CS10/CS15 (with Lemo CBC01 connector module) TS/TM5	\$	200
439038	GEV71, 4m car battery cable, connects all battery cables to 12V car battery.	\$	340
Power Supply Unit			
807696	GEV270, Power supply unit for TPS/GNSS/LS. For indoor use only. Input 100-240VAC to output 13.2VDC, with c	\$	270
Battery Chargers			
Professional Chargers			
799187	GKL341, Charger Prof 5000. Charges up to 4 batteries, including power cable.	\$	750
734389	GDC221, Car adapter for the GKL221 charger. Allows the use of the GKL221 with a cigarette lighter; 12V24V DC	\$	200
774437	GEV242, Charger for GEB371 external battery.	\$	290
Basic Chargers			
799185	GKL311, Single Charger Prof 3000. Charger for one Li-Ion battery including AC/DC adaptor and cigarette lighter	\$	140
Data Storage and Data Transfer			
Memory Devices			
767856	MSD1000, SD Memory Card 1GB for CS and GS units	\$	200
Card Reader			
767895	MCR7, Card Reader for SD/CF Cards	\$	670
Data Transfer Cables - Serial			
733280	GEV160, 2.8m Data transfer cable, for serial connection between GS10 (port 2, port 3) or GS15(port 2) to PC. (L	\$	130
733282	GEV162, 2.8m Data transfer cable connects GS10/GS15 receiver (port1) or CS10/CS15 controller (with Lemo CB	\$	200
806094	GEV268, Serial data transfer cable, converter cable USB to serial (Lemo to USB connector), 2.0m, connects GS1	\$	200
806095	GEV269, Serial Data transfer cable, converter cable USB A to Lemo1 8-pin, connects TS to PC, PC driver includ	\$	200
Data Transfer Cables - USB			
767899	GEV234, 1,65m USB connection cable. (Lemo to USB A)1.) to connect the CS field controller to GS10/GS15 re	\$	210
Cables to Connect GS10/GS14/GS15/GS16/GS25 to CS Field Controller			
In cases where high data speed communication is required between GS10/GS14/GS15 and CS field controller, cables should be used instead of a Bluetooth connection.			
USB Cables			
767899	GEV234, 1,65m USB connection cable. (Lemo to USB A)1.) to connect the CS field controller to GS10/GS15 re	\$	210
772807	GEV237, 1.65 m USB connection cable, to connect GS15/GS10 receiver to Lemo port on a CS field controller (w	\$	200
Containers			
All GS16's need to be ordered with at least one container.			
Containers			
833516	GVP716, Backpack carrying systems for all large TPS and GNSS containers.	\$	260
833517	GVP717, Sidebag for container GVP721/722/723/725.	\$	100
833518	GVP718, Basic backstrap for container GVP721/722/723/725.	\$	100
833519	GVP719, Shoulderstrap for container GVP721/722/723/725.	\$	80
855306	GVP734, GNSS Rover Container	\$	150
855307	GVP735, GNSS Base+Rover Container	\$	230
Customer Care Packages - Leica Viva GNSS			
Basic			
6003686	1 yr Viva GNSS (GS1X) Basic CCP	\$	160
6003687	2 yr Viva GNSS (GS1X) Basic CCP	\$	300
6003688	3 yr Viva GNSS (GS1X) Basic CCP	\$	420
6009618	5 yr Viva GNSS (GS1X) Basic CCP	\$	590
Blue			
6003698	1 yr Viva GNSS (GS1X) Blue CCP	\$	410
6003699	2 yr Viva GNSS (GS1X) Blue CCP	\$	750
6003700	3 yr Viva GNSS (GS1X) Blue CCP	\$	1,040
6009631	5 yr Viva GNSS (GS1X) Blue CCP	\$	1,525
Bronze			
6003710	2 yr Viva GNSS (GS1X) Bronze CCP	\$	690
6003711	3 yr Viva GNSS (GS1X) Bronze CCP	\$	1,120
6009640	5 yr Viva GNSS (GS1X) Bronze CCP	\$	1,465
6003712	1 yr Ext. Viva GNSS (GS1X) Bronze CCP	\$	550
Silver			
6003722	2 yr Viva GNSS (GS1X) Silver CCP	\$	1,140
6003723	3 yr Viva GNSS (GS1X) Silver CCP	\$	1,740
6009651	5 yr Viva GNSS (GS1X) Silver CCP	\$	2,400
6003724	1 yr Ext. Viva GNSS (GS1X) Silver CCP	\$	800

GS18T

Gold

6003730 3 yr Viva GNSS (GS1X) Gold CCP
6009658 5 yr Viva GNSS (GS1X) Gold CCP

\$	1,740
\$	2,400

Viva GS15

USA	Effective Date	6-Aug-18			\$USD
	Product Code	Sub-Code	Description		Price
Leica Viva - GNSS					
GNSS (GS15) Receiver Options					
Satellite Signal Tracking Options for Receiver					
	843510		LOP53, Multi-frequency option, enables L2, L5 and L-band tracking on a GS10, GS15, GS16 or GS25 receiver.	\$	3,440
	843513		LOP54, GLONASS option, enables GLONASS tracking on a GS10, GS15, GS16 or GS25 receiver.	\$	1,280
	843514		LOP55, Galileo option, enables Galileo tracking on a GS10, GS15, GS16 or GS25 receiver.	\$	1,280
	843515		LOP56, BeiDou option, enables BeiDou tracking on a GS10, GS15, GS16 or GS25 receiver.	\$	1,280
Position Rate and Data Recording Options					
	767808		LOP5, 20 Hz option, enables to compute positions with an update rate up to 20 Hz	\$	1,140
	767809		LOP6, Upgrade option from 5Hz to 20Hz option (LOP4 to LOP5).	\$	680
	767811		LOP8, RINEX option, allows logging of RINEX data on GS10, GS14, GS15 or GS25 Receiver	\$	450
	767818		LOP15, NMEA out option, enables NMEA to be streamed from GS10, GS14, GS15 or GS25	\$	450
RTK Options					
	771497		LOP16, DGPS/RTCM input/output option for GS10 or GS15 receiver, enables a receiver to receive RTCM 1, 2,	\$	450
	767813		LOP10, Unlimited RTK option, enables RTK positions to be computed from a single base station with no limit of c	\$	1,620
	767815		LOP12, Unlimited RTK and Network RTK, enables RTK position to be computed from a single base station and	\$	2,270
	767817		LOP14, Upgrade option for GS10 or GS15 receivers from RTK unlimited to RTK unlimited including RTK Network	\$	1,080
Other Options					
	767816		LOP13, RTK Reference station option, allows a GS10 or GS15 receiver to transmit RTK data.	\$	1,820
	771498		LOP17, OWI enable for GS10/GS14/GS15 sensor	\$	990
SmartLink Options					
	5307068		1 yr SmartLink fill Service, enables tracking of TerraStar L-band signals to bridge RTK data outages up to 10 min	\$	1,060
	5307067		1 yr SmartLink Service, enables tracking of TerraStar L-band signals for autonomous precise point positioning an	\$	2,600
	5307118		2 yr SmartLink Service, enables tracking of TerraStar L-band signals for autonomous precise point positioning an	\$	4,610
RTK Communication Devices for GS15					
Satellite UHF Radio Modems					
	828006		SLR6, Satellite M3-TR4 403-470 MHz RX/TX radio. RTK receive and transmit UHF radio module to be easily plu	\$	1,710
Pacific Crest UHF Radio Modems					
	767821		SLR3-1, Pacific Crest ADL RX/TX radio 390-430 Mhz. RTK receive and transmit UHF radio module to be easily p	\$	1,760
	767822		SLR3-2, Pacific Crest ADL RX/TX radio 430-470 Mhz. RTK receive and transmit UHF radio module to be easily	\$	1,760
Radio programming Tool Kit					
	6002544		#N/A	\$	#N/A
<p>SLR radios will be delivered pre-configured according to country-specific radio regulations. In countries where radios need to be configured locally, the configuration tool kit is to be used</p>					
Mobile Phone Modules					
	767823		SLG1, 5-Band (850/900/1800/1900/2100 Mhz) Telit 3G GSM/GPRS/UMTS module. Provides fully flexibility due to	\$	1,190
<p>SLG1, 5-Band (850/900/1800/1900/2100 Mhz) Telit 3G GSM/GPRS/UMTS module can only work with AT&T in the USA and Bell in Canada</p>					
Spread Spectrum Radio Modem					
	8233692		SL900 Intuicom modems for GS15	\$	1,900
Accessories for Mounting External RTK Antenna on GS15					
<p>The GS15 receiver is equipped with an internal GSM/GPRS/UMTS antenna and internal UHF antenna as standard. In areas of poor reception and external RTK antenna can be used to improve reception.</p>					
RTK Antenna Arm					
	767790		GAD108, Arm to mount external UHF/GSM Antenna to GS15 SmartAntenna, usefull in areas of poor radio or cell	\$	200
Gainflex Radio Antennas					
	639964		GAT1, Gainflex radio antenna, frequency range 400-435MHz.	\$	70
	667243		GAT2, Gainflex radio antenna, frequency range 435-470MHz.	\$	70
Antennas for Mobile Phones					
	782500		GAT18, Multiband GSM/UMTS Antenna for 850/1900MHz, for 900/1800MHz and for 2100MHz mobile networks.	\$	150



Accessories for Mounting External RTK Antenna on Second Tripod



Adaptor

767791 GAD109, Transition adaptor from external UHF/GSM antenna connector of a GS15 SmartAntenna to standard T \$ 80

RTK Antenna Cables

636959 GEV120, 2.8m antenna cable \$ 110
667201 GEV142, 1.6m extension for antenna cable. \$ 70

Telescopic Rod, Antenna Arm and Base for Telescopic Rod

667228 GAD32, Telescopic rod with 5/8 inch screw. Fits in minipack 667137. Fits in base 667236. \$ 100
667220 GAD34, Arm 3cm long, screws on telescopic rod. Gainflex antenna fits on arm. Antenna cable connects to arm. \$ 70
667236 GHT36, Base with 5/8 inch screw, for setting up telescopic rod on tripod. \$ 70

Accessories for Using External Radios with GS15 Receiver

Radio Cables to GFU Radios

767897 GEV232, cable connects GS15 receiver to System1200 GFU devices, length 2.8m \$ 320
767898 GEV233, cable connects GS15 receiver to System1200 GFU devices, length 0.8m \$ 250

Brackets and Holders for GFU Radios

748417 GHT58, Bracket to mount a radio built into the Leica GFU radio housing on a tripod. \$ 70
767896 GVP64, Holder for Mobile Phones & GFU Radios. Attaches to all GPS poles. \$ 130

Cables for External Radios

733297 GEV171, 1.8m cable to program the Satelline 3AS radio modem inside the GFU14 housing. \$ 440
639968 GEV125, 1.8m Cable, 15 pin RS232 to 8 pin Lemo. Cable for Satelline radios without GFU housing to be connect \$ 240
748418 GEV205, 1.8m Y-cable for RTK Reference Setup, Connects GS15 receiver and Leica GFU modem with extern \$ 400
811818 GEV274, Y-Cable GS08+/10/12/14/15/25(Port1) - HPR2 - SAE \$ 340

Survey Poles and Accessories



Poles with 5/8" Screw

768226 GLS13, telescopic aluminium GNSS pole with 5/8" screw. Snap locks at 1.80m and 2.00m. Includes circular bu \$ 280
752292 GLS30, telescopic carbon GNSS pole with 5/8" screw. Snap locks at 1.80m and 2.00m. Includes circular bubble \$ 500

Poles with Stub

Poles with stub requires GAD31 screw to stub adapter for GS15 receiver to mounted on these poles

766359 GLS31, telescopic carbon total station reflector with stub. Snap locks at 2.00m for GNSS antennas. Includes circ \$ 560
667217 GAD31, Screw-to-stub adapter for fitting GPS antenna on carriers with stub and poles with stub. \$ 170

QuickStand

560138 GST6, Quickstand with 3 telescopic legs, for aluminum or carbon fiber poles. \$ 470
667319 GSR111, Dual-strut support, for all GLS Poles \$ 320

Set Up on Tripod



Tribrachs

777508 GDF321, Tribrach without optical plummet \$ 390
777509 GDF322, Tribrach with optical plummet \$ 480
842062 GDF312, Tribrach with optical plummet \$ 350

Tripods

399244 GST05, Tripod, Telescopic, with polymer coating, with accessories. \$ 260
563630 GST05L, Tripod, Aluminium, Telescopic, with accessories \$ 200
667301 GST120-9, Tripod, Telescopic, selfclosing, with accessories, without pouch. \$ 390



Carriers

770715 GRT247, Carrier with 5/8 inch screw for GS15 SmartAntenna \$ 130

Height Hook

667244 GZS4-1, Height hook with integrated tape measure. Supplied with additional tape graduated in feet and inches. \$ 240

Batteries



Internal Batteries

772806 GEB212, Lithium Ion battery, 7.4V / 2.6Ah, chargeable \$ 140

External Batteries

818916 GEB371, External universal battery, Li-Ion, 13 V, 250 Wh, rechargeable \$ 570

Battery Chargers



Professional 5000

799187 GKL341, Charger Prof 5000. Charges up to 4 batteries, including power cable. \$ 750
734389 GDC221, Car adapter for the GKL221 charger. Allows the use of the GKL221 with a cigarette lighter; 12V24V DC \$ 200
774437 GEV242, Charger for GEB371 external battery. \$ 290

Professional 3000

799185 GKL311, Single Charger Prof 3000. Charger for one Li-Ion battery including AC/DC adaptor and cigarette lighter \$ 140

Power Cables

Power Cables for GS15

758469 GEV219, Power Cable, 1.8m, connects GS10/GS15, CS10/CS15 (with Lemo CBC01 connector module) TS/TM5 \$ 200
439038 GEV71, 4m car battery cable, connects all battery cables to 12V car battery. \$ 340

Power Supply Unit

807696 GEV270, Power supply unit for TPS/GNSS/LS. For indoor use only. Input 100-240VAC to output 13.2VDC, with c \$ 270

Data Storage and Data Transfer

Memory Devices



767856 MSD1000, SD Memory Card 1GB for CS and GS units \$ 200

Card Reader

767895 MCR7, Card Reader for SD/CF Cards \$ 670

Data Transfer Cables - Serial



733280 GEV160, 2.8m Data transfer cable, for serial connection between GS10 (port 2, port 3) or GS15(port 2) to PC. (L \$ 130

733282 GEV162, 2.8m Data transfer cable connects GS10/GS15 receiver (port1) or CS10/CS15 controller (with Lemo CB \$ 200

806094 GEV268, Serial data transfer cable, converter cable USB to serial (Lemo to USB connector), 2.0m, connects GS1 \$ 200

806095 GEV269, Serial Data transfer cable, converter cable USB A to Lemo1 8-pin, connects TS to PC, PC driver includ \$ 200

Data Transfer Cables - USB

767899 GEV234, 1,65m USB connection cable. (Lemo to USB A)1.) to connect the CS field controller to GS10/GS15 re \$ 210

Cables to Connect GS10/GS14/GS15/GS25 to CS Field Controller



In cases where high data speed communication is required between GS10/GS14/GS15 and CS field controller, cables should be used instead of a Bluetooth connection.

USB Cables

767899 GEV234, 1,65m USB connection cable. (Lemo to USB A)1.) to connect the CS field controller to GS10/GS15 re \$ 210

772807 GEV237, 1.65 m USB connection cable, to connect GS15/GS10 receiver to Lemo port on a CS field controller (w \$ 200

Containers

All GS15 need to be ordered with at least one container.



Containers

833516 GVP716, Backpack carrying systems for all large TPS and GNSS containers. \$ 260

833517 GVP717, Sidebag for container GVP721/722/723/725. \$ 100

833518 GVP718, Basic backstrap for container GVP721/722/723/725. \$ 100

833519 GVP719, Shoulderstrap for container GVP721/722/723/725. \$ 80

817053 GVP721, Hard container for 2 SmartAntennas, CS field controller and accessories for a Base and Rover setup. \$ 230

817055 GVP722, Hard container for SmartAntenna, CS Field Controller and accessories for a SmartPole and SmartStatic \$ 230

Customer Care Packages - Leica Viva GNSS

Basic



6003686 1 yr Viva GNSS (GS1X) Basic CCP \$ 160

6003687 2 yr Viva GNSS (GS1X) Basic CCP \$ 300

6003688 3 yr Viva GNSS (GS1X) Basic CCP \$ 420

6009618 5 yr Viva GNSS (GS1X) Basic CCP \$ 590

Blue

6003698 1 yr Viva GNSS (GS1X) Blue CCP \$ 410

6003699 2 yr Viva GNSS (GS1X) Blue CCP \$ 750

6003700 3 yr Viva GNSS (GS1X) Blue CCP \$ 1,040

6009631 5 yr Viva GNSS (GS1X) Blue CCP \$ 1,525

Bronze

6003710 2 yr Viva GNSS (GS1X) Bronze CCP \$ 690

6003711 3 yr Viva GNSS (GS1X) Bronze CCP \$ 1,120

6009640 5 yr Viva GNSS (GS1X) Bronze CCP \$ 1,465

6003712 1 yr Ext. Viva GNSS (GS1X) Bronze CCP \$ 550

Silver

6003722 2 yr Viva GNSS (GS1X) Silver CCP \$ 1,140

6003723 3 yr Viva GNSS (GS1X) Silver CCP \$ 1,740

6009651 5 yr Viva GNSS (GS1X) Silver CCP \$ 2,400





6003724 1 yr Ext. Viva GNSS (GS1X) Silver CCP \$ 800

Gold

6003730 3 yr Viva GNSS (GS1X) Gold CCP \$ 1,740

6009658 5 yr Viva GNSS (GS1X) Gold CCP \$ 2,400

Viva GS10 & GS25

USA	Effective Date	6-Aug-18			\$USD
	Product Code	Sub-Code	Description		Price
Leica Viva - GNSS					
GS10 GNSS Receivers					
	GS10 Receivers				
	838030		GS10 Performance Receiver	\$	11,900
	838032		GS10 Unlimited Receiver	\$	16,010
GS25 GNSS Receivers					
	GS25 Receivers				
	843495		GS25 Performance Receiver	\$	13,850
	838043		GS25 Unlimited Receiver	\$	17,960
GNSS Receiver Options					
Satellite Signal Tracking Options for Receiver					
	843510		LOP53, Multi-frequency option, enables L2, L5 and L-band tracking on a GS10, GS15, GS16 or GS25 receiver.	\$	3,440
	843513		LOP54, GLONASS option, enables GLONASS tracking on a GS10, GS15, GS16 or GS25 receiver.	\$	1,280
	843514		LOP55, Galileo option, enables Galileo tracking on a GS10, GS15, GS16 or GS25 receiver.	\$	1,280
	843515		LOP56, BeiDou option, enables BeiDou tracking on a GS10, GS15, GS16 or GS25 receiver.	\$	1,280
Position Rate and Data Recording Options					
	767808		LOP5, 20 Hz option, enables to compute positions with an update rate up to 20 Hz	\$	1,140
	767809		LOP6, Upgrade option from 5Hz to 20Hz option (LOP4 to LOP5).	\$	680
	767811		LOP8, RINEX option, allows logging of RINEX data on GS10, GS14, GS15 or GS25 Receiver	\$	450
	767818		LOP15, NMEA out option, enables NMEA to be streamed from GS10, GS14, GS15 or GS25	\$	450
RTK Options					
	771497		LOP16, DGPS/RTCM input/output option for GS10 or GS15 receiver, enables a receiver to receive RTCM 1, 2, 3, 4, 5, 8, 9, 10, 12, 18, 24, 29, 30, 31, 32, 33, 34, 35, 36, 37, 38, 39, 40, 41, 42, 43, 44, 45, 46, 47, 48, 49, 50, 51, 52, 53, 54, 55, 56, 57, 58, 59, 60, 61, 62, 63, 64, 65, 66, 67, 68, 69, 70, 71, 72, 73, 74, 75, 76, 77, 78, 79, 80, 81, 82, 83, 84, 85, 86, 87, 88, 89, 90, 91, 92, 93, 94, 95, 96, 97, 98, 99, 100	\$	450
	767813		LOP10, Unlimited RTK option, enables RTK positions to be computed from a single base station with no limit of c	\$	1,620
	767814		LOP11, Upgrade option from 5km RTK to unlimited RTK (LOP9 to LOP10).	\$	1,360
	767815		LOP12, Unlimited RTK and Network RTK, enables RTK position to be computed from a single base station and n	\$	2,270
	767817		LOP14, Upgrade option for GS10 or GS15 receivers from RTK unlimited to RTK unlimited including RTK Network	\$	1,080
Other Options					
	767816		LOP13, RTK Reference station option, allows a GS10 or GS15 receiver to transmit RTK data.	\$	1,820
	771498		LOP17, OWI enable for GS10/GS14/GS15 sensor	\$	990
SmartLink Options					
	5307068		1 yr SmartLink fill Service, enables tracking of TerraStar L-band signals to bridge RTK data outages up to 10 min	\$	1,060
	5307067		1 yr SmartLink Service, enables tracking of TerraStar L-band signals for autonomous precise point positioning an	\$	2,600
	5307118		2 yr SmartLink Service, enables tracking of TerraStar L-band signals for autonomous precise point positioning an	\$	4,610
GNSS Antennas					
	Standard Single Frequency Antenna				
	770708		AS05 GPS/GLONASS single frequency antenna	\$	680
	Standard GNSS Triple Frequency Antenna				
	770701		AS10, GPS/GLONASS/Galileo triple frequency antenna	\$	1,480
	Field Base Antenna				
	773758		AR10, GNSS reference station antenna for GPS/GLONASS/Galileo/Compass receivers. Includes L-Band signals	\$	3,470
	Choke Ring Antenna for GS10 Receiver				
	794207		GNSS choke ring antenna for GPS/GLONASS/Galileo/Compass/QZSS receivers. Includes Galileo E6 and L-Ban	\$	8,750
	794208		Weather protection radome for AR20 GNSS choke ring antenna.	\$	440
	765733		AR25, triple frequency GNSS choke-ring antenna for GNSS receivers. Includes L-Band signals. Dorne- Margolin	\$	13,400
	765734		GVP653, Weather protection radome for the AR25 choke ring antenna.	\$	440
GNSS Antenna Cables					
GNSS Antenna Cables for GS10/GS25 using as a Rover					
	667200		GEV141, 1.2m antenna cable.	\$	70
	667201		GEV142, 1.6m extension for antenna cable.	\$	70
	724969		GEV194, 1.8m antenna cable. To be used for balanced all-on-the-pole setup.	\$	100
GNSS Antenna Cables for GS10/GS25 using as a Rover					
	667200		GEV141, 1.2m antenna cable.	\$	70
	724969		GEV194, 1.8m antenna cable. To be used for balanced all-on-the-pole setup.	\$	100
	636959		GEV120, 2.8m antenna cable	\$	110
	632372		GEV119, 10m antenna cable.	\$	130
	632390		GEV108, 30m antenna cable.	\$	510
	664813		GEV134, 50m antenna cable.	\$	900
PPS/Event Cable for GS25					
	667744		GEV150 PPS Output Cable for GPS 500, 2m	\$	140
	403448		GEV42, 2m cable, connects GRX1200+ receiver event input to another device with BNC Connector	\$	130
	789061		GEV262 Event cable for GS25 with Lemo	\$	270

RTK Communication Devices for GS10 / GS25



Satellite UHF Radio Modems for GS10 Receiver

828005 GFU30, Satelline M3-TR4 403-470 MHz RX/TX radio in GFU housing. Transceiver UHF radio module. User manual \$ 1,710

Special Cable for Satelline Radio Modem

733297 GEV171, 1.8m cable to program the Satelline 3AS radio modem inside the GFU14 housing. \$ 440
 639968 GEV125, 1.8m Cable, 15 pin RS232 to 8 pin Lemo. Cable for Satelline radios without GFU housing to be connect \$ 240



Satellite UHF Radio Modems for GS25 Receiver

828007 SLR6-1, Satelline M3-TR4 403-470 MHz RX/TX radio for GS25. Transceiver UHF radio module. User manual and \$ 1,710

Special Cable for Satelline Radio Modem

639968 GEV125, 1.8m Cable, 15 pin RS232 to 8 pin Lemo. Cable for Satelline radios without GFU housing to be connect \$ 240

Intuicom

8216499 Intuicom 900mhz w/ GFU15 Housing \$ 2,050

Mobile Phones for GS10

767861 GFU29, 5 band UMTS module for global use in GFU housing. Compatible with GSM, GPRS, EDGE, HSDPA net \$ 1,940

External RTK Antennas



Gainflex Radio Antennas

639964 GAT1, Gainflex radio antenna, frequency range 400-435MHz. \$ 70
 667243 GAT2, Gainflex radio antenna, frequency range 435-470MHz. \$ 70

Antennas for Mobile Phones

782500 GAT18, Multiband GSM/UMTS Antenna for 850/1900MHz, for 900/1800MHz and for 2100MHz mobile networks. \$ 150

Accessories for Mounting RTK Antenna on AS05 / AS10 Antenna



Antenna Cables

667200 GEV141, 1.2m antenna cable. \$ 70
 667201 GEV142, 1.6m extension for antenna cable. \$ 70
 724969 GEV194, 1.8m antenna cable. To be used for balanced all-on-the-pole setup. \$ 100
 636959 GEV120, 2.8m antenna cable \$ 110

RTK Antenna Arm

667219 GAD33, Arm 15cm long, attaches to GPS antenna. Gainflex antenna fits on arm. Antenna cable connects to arm. \$ 100

Accessories for Mounting RTK Antenna on Second Tripod

Antenna Cables

636959 GEV120, 2.8m antenna cable \$ 110
 667201 GEV142, 1.6m extension for antenna cable. \$ 70

Telescopic Rod, Antenna Arm & Base for Telescopic Rod

667228 GAD32, Telescopic rod with 5/8 inch screw. Fits in minipack 667137. Fits in base 667236. \$ 100
 667220 GAD34, Arm 3cm long, screws on telescopic rod. Gainflex antenna fits on arm. Antenna cable connects to arm. \$ 70
 667236 GHT36, Base with 5/8 inch screw, for setting up telescopic rod on tripod. \$ 70

Survey Poles and Accessories



Poles with 5/8" Screw

768226 GLS13, telescopic aluminium GNSS pole with 5/8" screw. Snap locks at 1.80m and 2.00m. Includes circular bu \$ 280
 752292 GLS30, telescopic carbon GNSS pole with 5/8" screw. Snap locks at 1.80m and 2.00m. Includes circular bubble \$ 500

Poles with Stub

Poles with stub requires GAD31 screw to stub adapter for GS15 receiver to mounted on these poles

754391 GLS12, telescopic aluminum total station reflector pole with stub. Snap locks at 2.00m for GNSS antennas. Includ \$ 280
 766359 GLS31, telescopic carbon total station reflector with stub. Snap locks at 2.00m for GNSS antennas. Includes circ \$ 560
 667217 GAD31, Screw-to-stub adapter for fitting GPS antenna on carriers with stub and poles with stub. \$ 170

QuickStand

560138 GST6, Quickstand with 3 telescopic legs, for aluminum or carbon fiber poles. \$ 470
 667319 GSR111, Dual-strut support, for all GLS Poles \$ 320

Minipack Setup



Minipack

770707 GVP 647, Minipack for GNSS receiver \$ 190

Controller Pole Holder

767880 GHT63, Clamp arrangement for attaching the GHT62 holder to all poles. \$ 150
 807157 GHT66, Holder attaching a CS20 with a GHT63 clamp to a pole. GHT63 is not included. \$ 130

Antenna cables

667200 GEV141, 1.2m antenna cable. \$ 70
 667201 GEV142, 1.6m extension for antenna cable. \$ 70
 636959 GEV120, 2.8m antenna cable \$ 110

Telescopic Rod and RTK Antenna Arm

667228 GAD32, Telescopic rod with 5/8 inch screw. Fits in minipack 667137. Fits in base 667236. \$ 100
 667220 GAD34, Arm 3cm long, screws on telescopic rod. Gainflex antenna fits on arm. Antenna cable connects to arm. \$ 70
 734388 GAD46, Double arm adapter, screws on telescopic rod. Allows to connect up to 2 mobilephone/radio antennas ar \$ 100

All On the Pole Setup

Only possible when using GLS12/GLS13 Poles

Holders

733265	GHT40, Holder for all variants of GS10 for balanced all-on-the-pole setup	\$	200
807157	GHT66, Holder attaching a CS20 with a GHT63 clamp to a pole. GHT63 is not included.	\$	130
767880	GHT63, Clamp arrangement for attaching the GHT62 holder to all poles.	\$	150

Antenna Cable for GNSS Antenna

724969	GEV194, 1.8m antenna cable. To be used for balanced all-on-the-pole setup.	\$	100
--------	----------------------------------------------------------------------------	----	-----

RTK Antenna Arm

667219	GAD33, Arm 15cm long, attaches to GPS antenna. Gainflex antenna fits on arm. Antenna cable connects to arm.	\$	100
--------	-------------------------------------------------------------------------------------------------------------	----	-----

Set Up on Tripod

Tribrachs



777508	GDF321, Tribrach without optical plummet	\$	390
777509	GDF322, Tribrach with optical plummet	\$	480
842062	GDF312, Tribrach with optical plummet	\$	350

Tripods

399244	GST05, Tripod, Telescopic, with polymer coating, with accessories.	\$	260
563630	GST05L, Tripod, Aluminium, Telescopic, with accessories	\$	200
667301	GST120-9, Tripod, Telescopic, selfclosing, with accessories, without pouch.	\$	390



Carriers

667216	GRT146, Carrier with 5/8" screw, GPS antenna screws on directly.	\$	130
667313	GRT144, carrier for GPS antenna, EDM reflectors and target plates, pale green.	\$	150
667217	GAD31, Screw-to-stub adapter for fitting GPS antenna on carriers with stub and poles with stub.	\$	170

Height Hook

667244	GZS4-1, Height hook with integrated tape measure. Supplied with additional tape graduated in feet and inches.	\$	240
--------	---------------------------------------------------------------------------------------------------------------	----	-----

Mounting Kits for GS25

Mounting Kits for CS25

774439	GEV249, Rack Mount Kit for GS25 receiver. For fitting the receiver to standard IT rack (requires 2 U in the rack).	\$	220
--------	--------------------------------------------------------------------------------------------------------------------	----	-----

Batteries

Internal Batteries for GS10 Receiver



733270	GEB221, Lithium-Ion battery, 7.4V/4.4Ah, chargeable.	\$	190
793973	GEB222, Lithium-Ion battery. 7.4V/6Ah TS battery	\$	230

Internal Batteries for GS25 Receiver

793975	GEB242, Large Li-Ion Battery 14.8V/5.8Ah (requires pro charger) for MS/TS/TM50 instruments	\$	380
--------	--------------------------------------------------------------------------------------------	----	-----

External Batteries

818916	GEB371, External universal battery, Li-Ion, 13 V, 250 Wh, rechargeable	\$	570
--------	------------------------------------------------------------------------	----	-----

Battery Chargers

Professional 5000



799187	GKL341, Charger Prof 5000. Charges up to 4 batteries, including power cable.	\$	750
734389	GDC221, Car adapter for the GKL221 charger. Allows the use of the GKL221 with a cigarette lighter; 12V24V DC	\$	200
774437	GEV242, Charger for GEB371 external battery.	\$	290

Professional 3000

799185	GKL311, Single Charger Prof 3000. Charger for one Li-Ion battery including AC/DC adaptor and cigarette lighter	\$	140
--------	----------------------------------------------------------------------------------------------------------------	----	-----

Power Cables

Power Cables for GS10/25

560130	GEV97, 1.8m power cable, connects GS10 receiver to external battery GEB171.	\$	200
733298	GEV172, power cable, 2.8m connects GS10 receiver to two GEB171 batteries.	\$	410

Power Supply Unit

807696	GEV270, Power supply unit for TPS/GNSS/LS. For indoor use only. Input 100-240VAC to output 13.2VDC, with c	\$	270
--------	------------------------------------------------------------------------------------------------------------	----	-----

Data Storage and Data Transfer

Memory Devices



767856	MSD1000, SD Memory Card 1GB for CS and GS units	\$	200
--------	-------------------------------------------------	----	-----

Card Reader

767895	MCR7, Card Reader for SD/CF Cards	\$	670
--------	-----------------------------------	----	-----

Data Transfer Cables - Serial



733280	GEV160, 2.8m Data transfer cable, for serial connection between GS10 (port 2, port 3) or GS15(port 2) to PC. (L	\$	130
733282	GEV162, 2.8m Data transfer cable connects GS10/GS15 receiver (port1) or CS10/CS15 controller (with Lemo CB	\$	200
806094	GEV268, Serial data transfer cable, converter cable USB to serial (Lemo to USB connector), 2.0m, connects GS1	\$	200
806095	GEV269, Serial Data transfer cable, converter cable USB A to Lemo1 8-pin, connects TS to PC, PC driver includ	\$	200

Data Transfer Cables - USB

767899	GEV234, 1,65m USB connection cable. (Lemo to USB A)1.) to connect the CS field controller to GS10/GS15 re	\$	210
--------	-----------------------------------------------------------------------------------------------------------	----	-----

Cables to Connect GS10/GS14/GS15/GS25 to CS Field Controller



In cases where high data speed communication is required between GS10/GS14/GS15 and CS field controller, cables should be used instead of a Bluetooth connection.

USB Cables

767899	GEV234, 1,65m USB connection cable. (Lemo to USB A)1.) to connect the CS field controller to GS10/GS15 re	\$	210
772807	GEV237, 1.65 m USB connection cable, to connect GS15/GS10 receiver to Lemo port on a CS field controller (w	\$	200

Containers



All GS10/GS25 need to be ordered with at least one container

Containers

833516	GVP716, Backpack carrying systems for all large TPS and GNSS containers.	\$	260
833517	GVP717, Sidebag for container GVP721/722/723/725.	\$	100
833518	GVP718, Basic backstrap for container GVP721/722/723/725.	\$	100
833519	GVP719, Shoulderstrap for container GVP721/722/723/725.	\$	80
817056	GVP723, Hard container for GNSS Receiver, CS field controller and accessories for a Base setup	\$	230

Customer Care Packages - Leica Viva GNSS



Basic

6003686	1 yr Viva GNSS (GS1X) Basic CCP	\$	160
6003687	2 yr Viva GNSS (GS1X) Basic CCP	\$	300
6003688	3 yr Viva GNSS (GS1X) Basic CCP	\$	420
6009618	5 yr Viva GNSS (GS1X) Basic CCP	\$	590

Blue

6003698	1 yr Viva GNSS (GS1X) Blue CCP	\$	410
6003699	2 yr Viva GNSS (GS1X) Blue CCP	\$	750
6003700	3 yr Viva GNSS (GS1X) Blue CCP	\$	1,040
6009631	5 yr Viva GNSS (GS1X) Blue CCP	\$	1,525

Bronze

6003710	2 yr Viva GNSS (GS1X) Bronze CCP	\$	690
6003711	3 yr Viva GNSS (GS1X) Bronze CCP	\$	1,120
6009640	5 yr Viva GNSS (GS1X) Bronze CCP	\$	1,465
6003712	1 yr Ext. Viva GNSS (GS1X) Bronze CCP	\$	550




Silver

6003722	2 yr Viva GNSS (GS1X) Silver CCP	\$	1,140
6003723	3 yr Viva GNSS (GS1X) Silver CCP	\$	1,740
6009651	5 yr Viva GNSS (GS1X) Silver CCP	\$	2,400
6003724	1 yr Ext. Viva GNSS (GS1X) Silver CCP	\$	800

Gold

6003730	3 yr Viva GNSS (GS1X) Gold CCP	\$	1,740
6009658	5 yr Viva GNSS (GS1X) Gold CCP	\$	2,400

SmartStation

USA	Effective Date	6-Aug-18			\$USD Price
Product Code	Sub-Code	Description			
SmartStation Setup					
SmartStation Setup Using a GS14 GNSS SmartAntenna					
GS14 GNSS SmartAntenna					
	843507	GS14 3.75G & UHF Performance SmartAntenna (NAFTA)			\$ 10,170
SmartStation Setup Using a GS16 GNSS SmartAntenna					
GS16 GNSS SmartAntenna					
	838035	GS16 3.75G & UHF Performance SmartAntenna (NAFTA)			\$ 16,340
SmartStation Adaptor					
Adaptor					
	767802	GAD110, SmartAntenna Adapter to mount GS15 SmartAntenna on TPS1200+ and TS30.			\$ 610
BT module to connect the TS to the GS14 and GS15 GNSS receiver is standard on all Leica Viva TPS and Leica Nova instruments.					
Please refer to the Leica Viva GNSS section for GS15 related options and accessories.					

High Powered Base Radio

USA	Effective Date	6-Aug-18		\$USD
	Product Code	Sub-Code	Description	Price
Leica Viva - High Power Radio Modems				
Satel High Power Radio Modem Components				
Base Modems				
	844965		HPR3, Sateline-4Pro 35W high power radio, 403-473 MHz RX/TX radio.	\$ 2,500
Data Cables				
	817713		GEV275, Cable GS10/15/25(Port2) - HPR2	\$ 310
	799776		GEV266, Data cable to connect Sateline Easy Pro 35W to GS14 GNSS receiver	\$ 220
Satel High Power (35Watt) Base Radio Accessory Kit				
Radio Accessories Modems				
	806098		GST74, Antenna Mast including Tripod	\$ 340
	806096		GVP711, Softbag for Battery and Power Cables	\$ 60
	806101		GAD117, Adapter Antenna to Mast	\$ 160
	806099		GAT23, UHF Antenna 430-450Mhz	\$ 80
	806100		GAT24, UHF Antenna 450-470Mhz	\$ 80
	811818		GEV274, Y-Cable GS08+/10/12/14/15/25(Port1) - HPR2 - SAE	\$ 340
	806097		GVP712, Container for Satel Radio	\$ 230
Satel High Powered Radio Modem Antennas and Mounts				
Mobile Whip Antennas				
	806099		GAT23, UHF Antenna 430-450Mhz	\$ 80
	806100		GAT24, UHF Antenna 450-470Mhz	\$ 80
Mobile Whip Antenna Mount				
	806101		GAD117, Adapter Antenna to Mast	\$ 160
Tripod Antenna Mount				
	806098		GST74, Antenna Mast including Tripod	\$ 340
Satel High Power Radio Additional Accessories				
Carrying Cases				
	806096		GVP711, Softbag for Battery and Power Cables	\$ 60
	806097		GVP712, Container for Satel Radio	\$ 230
Cables				
	799776		GEV266, Data cable to connect Sateline Easy Pro 35W to GS14 GNSS receiver	\$ 220
	809028		GEV272 Power Cable for Satel HPR2	\$ 270
	811818		GEV274, Y-Cable GS08+/10/12/14/15/25(Port1) - HPR2 - SAE	\$ 340
	817713		GEV275, Cable GS10/15/25(Port2) - HPR2	\$ 310
	636959		GEV120, 2.8m antenna cable	\$ 110
Battery Charging Cable				
	8238942		Charger for Base Battery	\$ 130

High Powered Base Radio

Pacific Crest 35 Watt Base Station Radio			
6006455	ADL Vantage Pro Deluxe Kit (US) 430-470 MHz (Narrow Band Compliant)		\$ 3,557
	8239110 ADL Vantage Pro 430-470 MHz 35 Watt Radio (Narrow Band Compliant)	1	
	8201647 Leica Base Station Cable	1	
	8201642 Base Station Battery (33 Ah) with Carrying Case	1	
	8206814 Tripod Antenna Mast and Carrying Case	1	
	8239111 ADL Vantage Pro Power Data Cable for Programing Radio from PC	1	
	8239112 Range Pole Mount with TNC Connection 8' cable	1	
	8239113 ADL Vantage Pro Transport Case	1	
	8239114 ADL Vantage Pro Charger System	1	
	8213894 Elevated Feed Antenna 450-470	1	
6006456	ADL Vantage Pro Standard Kit (US) 430-470 (Narrow Band Compliant)		\$ 3,343
	8239110 ADL Vantage Pro 430-470 MHz 35 Watt Radio (Narrow Band Compliant)	1	
	8201647 Leica Base Station Cable	1	
	8239111 ADL Vantage Pro Power Data Cable for Programing Radio from PC	1	
	8239112 Range Pole Mount with TNC Connection 8' cable	1	
	8239113 ADL Vantage Pro Transport Case	1	
	8239114 ADL Vantage Pro Charger System	1	
	8213894 Elevated Feed Antenna 450-470	1	
	8212276 Tripod Mount System (A01291)	1	
6006582	ADL Vantage Pro Delux Kit (Canadian) 430-450 (Narrow Band Compliant)		\$ 3,557
	8239110 ADL Vantage Pro 430-470 MHz 35 Watt Radio (Narrow Band Compliant)	1	
	8201647 Leica Base Station Cable	1	
	8201642 Base Station Battery (33 Ah) with Carrying Case	1	
	8206814 Tripod Antenna Mast and Carrying Case	1	
	8239111 ADL Vantage Pro Power Data Cable for Programing Radio from PC	1	
	8239112 Range Pole Mount with TNC Connection 8' cable	1	
	8239113 ADL Vantage Pro Transport Case	1	
	8239114 ADL Vantage Pro Charger System	1	
	8213894 Elevated Feed Antenna 450-470	1	
6006583	ADL Vantage Pro Standard Kit (Canadian) 430-450 (Narrow Band Compliant)		\$ 3,343
	8239110 ADL Vantage Pro 430-470 MHz 35 Watt Radio (Narrow Band Compliant)	1	
	8201647 Leica Base Station Cable	1	
	8239111 ADL Vantage Pro Power Data Cable for Programing Radio from PC	1	
	8239112 Range Pole Mount with TNC Connection 8' cable	1	
	8239113 ADL Vantage Pro Transport Case	1	
	8239114 ADL Vantage Pro Charger System	1	
	8213894 Elevated Feed Antenna 450-470	1	
	8212276 Tripod Mount System (A01291)	1	
Pacific Crest High Powered Radio Modem Components			
Base Modems			
8239110	ADL Vantage Pro 430-470 MHz 35 Watt Radio (Narrow Band Compliant)	\$	2,305
Battery and Battery Charger			
8201642	Base Station Battery (33 Ah) with Carrying Case	\$	260
8201710	Battery Charger	\$	145
8239114	ADL Vantage Pro Charger System	\$	130
Carrying Cases			
8206822	PDL Base Soft Carrying Case	\$	70
8206823	PDL Base Shipping Case	\$	160
8239113	ADL Vantage Pro Transport Case	\$	185
Cables			
8201647	Leica Base Station Cable	\$	185
8239111	ADL Vantage Pro Power Data Cable for Programing Radio from PC	\$	120
Pacific Crest High Powered Radio Modem Antennas and Mounts			
Mobile Whip Antennas			
8213894	Elevated Feed Antenna 450-470	\$	105
8215346	450-470 MHZ Mobile Whip Antenna 5dBi	\$	105
8206812	450-470 MHZ Mobile Whip Antenna 2.4 dBi	\$	50
Mobile Whip Antenna Mount			
8206813	Mobile Whip Antenna Pole Mount 8'	\$	165
8212276	Tripod Mount System (A01291)	\$	195
8239112	Range Pole Mount with TNC Connection 8' cable	\$	100
Tripod Antenna Mount			
8206814	Tripod Antenna Mast and Carrying Case	\$	500
Pacific Crest Programing Dongle			
777284	Pacific Crest Programing dongle for Dealers and Sales ONLY!!	\$	130

SmartNet-SmartConnect

USA	Effective Date	6-Aug-18			\$USD
	Product Code	Sub-Code	Description		Price
Leica SmartNet - SmartConnect					
SmartNet Subscriptions					
<div style="background-color: black; color: white; padding: 5px; margin: 5px auto; width: fit-content;"> SmartNet Subscriptions are NOT available in MexAm </div> <div style="background-color: black; color: white; padding: 5px; margin: 5px auto; width: fit-content;"> SmartNet Regional Subscriptions are NOT available in Canada </div>					
SmartNet - National Access					
	5305427		1 mth SmartNet NRTK - Nationwide	\$	1,250
	5303420		3 mth SmartNet NRTK - Nationwide	\$	1,900
	5303421		6 mth SmartNet NRTK - Nationwide	\$	2,900
	5303302		1 yr SmartNet NRTK - Nationwide	\$	4,400
SmartNet - Regional Access					
	5306222		1 mth SmartNet NRTK - Regional	\$	1,125
	5306223		3 mth SmartNet NRTK - Regional	\$	1,650
	5306224		6 mth SmartNet NRTK- Regional	\$	2,475
	5306220		1 yr SmartNet NRTK - Regional	\$	3,600
	5306225		2 yr SmartNet NRTK - Regional	\$	6,525
	5306226		3 yr SmartNet NRTK - Regional	\$	9,000
SmartNet - State/Region/Province Access					
	5305445		1 mth SmartNet NRTK - State / Sub-Region	\$	750
	5303426		3 mth SmartNet NRTK - State / Sub-Region	\$	1,100
	5303427		6 mth SmartNet NRTK - State / Sub-Region	\$	1,650
	5303425		1 yr SmartNet NRTK - State / Sub-Region	\$	2,400
	5303910		2 yr SmartNet NRTK - State / Sub-Region	\$	4,350
	5303911		3 yr SmartNet NRTK - State / Sub-Region	\$	6,000
SmartNet - National Access - Education					
	5303311		1 yr SmartNet NRTK - Education	\$	500
SmartNet - Rental Access					
	5003000		1 day SmartNet NRTK - Rental	\$	75
SmartNet - Distributors / Directs / Hosts					
	8231810		SmartNet Network RTK Dealer Demo & Rental License	\$	N/C
	8232671		SmartNet Network RTK Host License	\$	N/C

SmartConnect - Cellular Data Services

SmartConnect Products are only available in the USA

SmartConnect - Activation Items

8243083	SmartConnect Activation Fee for SmartConnect Standard, Pro & Pro+ services	\$	75
8243080	SIM Card for SmartConnect	\$	Incl.
8243081	SIM Instruction Card	\$	Incl.

For first-time subscriptions, please order all three of the following: Activation Fee, SIM Card, SIM Instruction Card

SmartConnect - Professional

5305771	1 mth SmartConnect - Professional	\$	115
5305768	3 mth SmartConnect - Professional	\$	315
5305765	6 mth SmartConnect - Professional	\$	565
5305449	1 yr SmartConnect - Professional	\$	895
5306094	2 yr SmartConnect - Professional	\$	1,745
5306097	3 yr SmartConnect - Professional	\$	2,595

SmartConnect Standard - provides an internet connection that can be used for the following:

- 1) SmartNet Network RTK

NOTE: SmartConnect - Standard subscription is only available with a SmartNet subscription

SmartConnect - Standard

5305770	1 mth SmartConnect - Standard	\$	85
5305767	3 mth SmartConnect - Standard	\$	175
5305764	6 mth SmartConnect - Standard	\$	295
5305448	1 yr SmartConnect - Standard	\$	495
5306093	2 yr SmartConnect - Standard	\$	945
5306096	3 yr SmartConnect - Standard	\$	1,445






SmartConnect - NOTES

- 1) SmartConnect is a cellular data service that provides internet connections (via SIM card) for various other Leica products
- 2) SmartConnect products are only available in the USA
- 3) Prices shown are final pricing. SmartConnect products are not eligible for dealer discounts
- 4) If using either SmartConnect Pro or SmartConnect Pro+ for use with iCON telematics, you still need to purchase the appropriate iCON telematics subscriptions. The iCON telematics subscriptions are not included with SmartConnect products

NOTE: iCON telematics will not work with SmartConnect Standard. You must use either SmartConnect Pro or SmartConnect Pro+

- 5) If using any of the SmartConnect products for connection to SmartNet, you still need to purchase the appropriate SmartNet subscription. The SmartNet subscriptions are not included with SmartConnect products
- 6) For more information regarding SmartConnect and SmartNet, please visit our website at www.smartna.com

Accessories

USA	Effective Date	6-Aug-18			\$USD
	Product Code	Sub-Code	Description		Price
Leica Accessories					
Tripods					
	Professional 5000				
	296632		GST20, Tripod Telescopic, with accessories.	\$	430
	667301		GST120-9, Tripod, Telescopic, selfclosing, with accessories, without pouch.	\$	390
	394752		GST20-9, Tripod, Telescopic, with accessories, without pouch	\$	390
	328422		GST40, Tripod with rigid legs, with accessories.	\$	670
	Professional 3000				
	399244		GST05, Tripod, Telescopic, with polymer coating, with accessories.	\$	260
	563630		GST05L, Tripod, Aluminium, Telescopic, with accessories	\$	200
	Professional 1000				
	726831		GST101, Wooden Tripod: yellow legs, hinges, feet, black dome, w/ Shoulder Strap	\$	130
	726833		CTP 103, Aluminum Tripod w/ Shoulder Strap	\$	90
	Tripod Accessory				
	332200		GST4, Tripod-star, for setting up tripods on hard and slippery surfaces.	\$	230
	734163		GHT43, Adapter for mounting TCPS radio module on GST20/GST120 tripod.	\$	70
748417		GHT58, Bracket to mount a radio built into the Leica GFU radio housing on a tripod.	\$	70	
Tribrachs					
	Professional 5000				
	777508		GDF321, Tribrach without optical plummet	\$	390
	777509		GDF322, Tribrach with optical plummet	\$	480
	Professional 3000				
	842061		GDF311, Tribrach without optical plummet	\$	250
	842062		GDF312, Tribrach with optical plummet	\$	350
	Tribrach Accessories				
	667718		GHM007, Instruments height meter	\$	40
	722045		GHT196, Distance holder for height meter.	\$	20
	Carriers				
	Professional 5000				
	667316		SNLL121, Sensor nadir laser plummet, pale green, with user manual	\$	1,070
	428340		GZR3, Precision carrier, with plate level and optical plummet.	\$	1,290
	Professional 3000				
	725566		GRZ103, Carrier, with plate level and optical plummet for reflectors, pale green.	\$	340
	667313		GRT144, carrier for GPS antenna, EDM reflectors and target plates, pale green.	\$	150
	667216		GRT146, Carrier with 5/8" screw, GPS antenna screws on directly.	\$	130
	770715		GRT247, Carrier with 5/8 inch screw for GS15 SmartAntenna	\$	130
	Carrier Accessories				
	667217		GAD31, Screw-to-stub adapter for fitting GPS antenna on carriers with stub and poles with stub.	\$	170
	667244		GZS4-1, Height hook with integrated tape measure. Supplied with additional tape graduated in feet and inches.	\$	240
Standard Reflectors					
	Professional 5000				
	641617		GPR121, PRO, Circular prism, with holder and target plate	\$	400
	362830		GPR1, Circular prism, in black housing.	\$	240
	639985		GRZ4, 360° reflector.	\$	995
	Professional 3000				
	641618		GPR111, Circular prism, with holder and target plate	\$	240
	Professional 1000				
	753492		GPR113, BASIC Circular prism, with red holder.	\$	200
	Standard Reflector Accessories				
	362820		GPH1, Single-prism holder.	\$	80
	400080		GPH3, Three-prism holder.	\$	200
	362823		GZT4, Target plate, for GPH1.	\$	70
	Special Reflectors				
	Professional 5000				
	555631		GPH1P, Single-prism precision reflector.	\$	1,480
	754384		GRZ122, 360° reflector with 5/8" thread adapter for mounting of GPS antenna.	\$	1,750
	Professional 3000				
	726295		GPR112, Monitoring-Mining Prism, with M8 internal thread in the back for direct mounting and 5/8	\$	150
	763532		GZM29, Reflective tape, 20x20mm for short range, pack of 20 pieces.	\$	70
	763533		GZM30, Reflective tape, 40x40mm for medium range, pack of 20 pieces.	\$	90
	763534		GZM31, Reflective tape, 60x60mm for long range, pack of 20 pieces.	\$	110
	Professional 1000				
	641762		GMP104, Mini prism, with L-bar, for fixed installations.	\$	150
	731346		CPR105, Flat prism with double sided reflector.	\$	100
	GPR112 Standard Reflector Accessories				
	726296		GHT112, Mounting set for GPR112 with M8 and 5/8" internal thread adapters, suitable for direct fixing systems or	\$	70
	727406		GDZ112, rain shelter for Monitoring Mining Prism GPR112. Full availability of the prism even in rainy conditions.	\$	30

Accessories

Mini - Reflectors

Professional 5000

641662	GMP101, Mini prism, incl. bubble, target plate and spike, in bag, also suitable for GLS11 and GRT44 (same height)	\$ 270
644327	GRZ101, 360° mini prism with 1/4" thread fitting.	\$ 740

Professional 3000

641615	GMP111, Mini prism, BASIC, incl. bubble, with GLS115 and GHT111.	\$ 280
642534	GMP111-0, Mini prism 0-Constante, BASIC, incl. bubble, with GLS115 and GHT111.	\$ 290

Mini - Reflector Accessories

742006	GAD103, Adapter for attaching GRZ101 to all poles with Leica Geosystems stub.	\$ 70
743503	GAD105, Adapter for GMP111 to all poles with Leica Geosystems stub.	\$ 70
742329	GMP112, Hidden Point Pole Extension for GMP111. Includes miniprism with holder and 30cm adapter pole.	\$ 270

Reflector Poles



Professional 5000

754391	GLS12, telescopic aluminum total station reflector pole with stub. Snap locks at 2.00m for GNSS antennas. Includes circular bubble	\$ 280
754389	GLS12F, 2m Telescopic aluminium pole, US Feet graduations	\$ 280
403427	GLS14, Mini reflector pole, (prism/target 20cm over point), with circular bubble.	\$ 120

Professional 3000

385500	GLS11, Reflector pole, telescopic, with circular bubble, cm and ft graduation, extends to 2,15m	\$ 230
667309	GLS111, BASIC Reflector pole, with bull's-eye bubble, cm/ft graduation, extends to 2.60m, with red/white 0.20m graduations	\$ 260
667310	GLS112, BASIC, Reflector pole, with bull's-eye bubble, cm/ft graduation, extends to 3.65m, with red/white 0.20m graduations	\$ 290

Professional 1000

748967	CPP105, Reflector pole with circular bubble for flat-/mini-prisms, snaplock at 1,5m and 2,0m.	\$ 130
642106	GLS115, Mini reflector pole, four screw-together sections, extends to 1.3m	\$ 100

Accessories for Reflector Poles

555720	GSR2, Dual strut support for GLS11/GLS11K plumbing pole	\$ 400
667319	GSR111, Dual-strut support, for all GLS Poles	\$ 320
560138	GST6, Quickstand with 3 telescopic legs, for aluminum or carbon fiber poles.	\$ 470
767879	GHT62, Pole holder base plate for CS10 and CS15 field controller.	\$ 70
767880	GHT63, Clamp arrangement for attaching the GHT62 holder to all poles.	\$ 150
807157	GHT66, Holder attaching a CS20 with a GHT63 clamp to a pole. GHT63 is not included.	\$ 130
767896	GVP64, Holder for Mobile Phones & GFU Radios. Attaches to all GPS poles.	\$ 130
667236	GHT36, Base with 5/8 inch screw, for setting up telescopic rod on tripod.	\$ 70
767880	GHT63, Clamp arrangement for attaching the GHT62 holder to all poles.	\$ 150

GNSS Poles



Professional 5000

752292	GLS30, telescopic carbon GNSS pole with 5/8" screw. Snap locks at 1.80m and 2.00m. Includes circular bubble	\$ 500
766359	GLS31, telescopic carbon total station reflector with stub. Snap locks at 2.00m for GNSS antennas. Includes circular bubble	\$ 560

Professional 3000

754391	GLS12, telescopic aluminum total station reflector pole with stub. Snap locks at 2.00m for GNSS antennas. Includes circular bubble	\$ 280
768226	GLS13, telescopic aluminium GNSS pole with 5/8" screw. Snap locks at 1.80m and 2.00m. Includes circular bubble	\$ 280

Professional 1000

642106	GLS115, Mini reflector pole, four screw-together sections, extends to 1.3m	\$ 100
--------	----------------------------------------------------------------------------	--------

Accessories for GNSS Poles

667228	GAD32, Telescopic rod with 5/8 inch screw. Fits in minipack 667137. Fits in base 667236.	\$ 100
--------	------------------------------------------------------------------------------------------	--------

Accessories for External Antennas

767790	GAD108, Arm to mount external UHF/GSM Antenna to GS15 SmartAntenna, usefull in areas of poor radio or cell reception	\$ 200
667219	GAD33, Arm 15cm long, attaches to GPS antenna. Gainflex antenna fits on arm. Antenna cable connects to arm.	\$ 100
667220	GAD34, Arm 3cm long, screws on telescopic rod. Gainflex antenna fits on arm. Antenna cable connects to arm.	\$ 70
734388	GAD46, Double arm adapter, screws on telescopic rod. Allows to connect up to 2 mobilephone/radio antennas at once	\$ 100

Batteries



Internal Batteries

799190	GEB331, Li-Ion battery, 12.2V/2.8Ah, rechargeable, for CS20.	\$ 190
793975	GEB242, Large Li-Ion Battery 14.8V/5.8Ah (requires pro charger) for MS/TS/TM50 instruments	\$ 380
793973	GEB222, Lithium-Ion battery. 7.4V/6Ah TS battery	\$ 230
733270	GEB221, Lithium-Ion battery, 7.4V/4.4Ah, chargeable.	\$ 190
772806	GEB212, Lithium Ion battery, 7.4V / 2.6Ah, chargeable	\$ 140
832119	GEB235, Lithium-Ion battery, 10.8 V/4.1 Ah, rechargeable, for CS35 Tablet.	\$ 260
832120	GEB236, Lithium-Ion battery, 10.8 V/8.7 Ah, rechargeable, for CS35	\$ 310
667123	GEB121, plug-in Cam. battery NiMH, large	\$ 120
667318	GEB111, plug-in Cam. battery NiMH, small	\$ 130

External Batteries

818916	GEB371, External universal battery, Li-Ion, 13 V, 250 Wh, rechargeable	\$ 570
--------	------------------------------------------------------------------------	--------



Accessories

Battery Chargers



Professional 5000

799187	GKL341, Charger Prof 5000. Charges up to 4 batteries, including power cable.	\$	750
734389	GDC221, Car adapter for the GKL221 charger. Allows the use of the GKL221 with a cigarette lighter; 12V24V DC	\$	200

Professional 3000

799185	GKL311, Single Charger Prof 3000. Charger for one Li-Ion battery including AC/DC adaptor and cigarette lighter	\$	140
734753	GKL112, Charger BASIC, for Ni-Mh batteries GEB121 and GEB111, car adapter cable and net adapter included.	\$	170
785703	GKL32, Charger, 230V, 50/60Hz, charges one battery with 5-pin charging socket, also usable for GEB171.	\$	220
832118	GKL235, Charger for CS35 batteries GEB235 and GEB236. Country specific AC/DC adaptor (GEV280-x) not incl	\$	330

Battery Charger Accessory

773753	GEV235-1, AC/DC adapter US, for power supply to CS10/15	\$	30
--------	---------------------------------------------------------	----	----

Data Storage



Memory Devices

733257	MCF256, industrial grade CompactFlash card 256MB.	\$	200
745995	MCF1000, industrial grade CompactFlash card 1GB.	\$	340
767856	MSD1000, SD Memory Card 1GB for CS and GS units	\$	200
789139	MSD08, SD memory card 8GB	\$	500
733258	MCFAD1, Compact Flash PC Card adapter	\$	70
765199	MS1, USB memory stick, 1GB industrial grade	\$	170

Card Reader and Adapter

767895	MCR7, Card Reader for SD/CF Cards	\$	670
733258	MCFAD1, Compact Flash PC Card adapter	\$	70

Accessories

Data Transfer Cables



409678	GEV52, Cable, connects TPS or DNA to external battery.	\$	170
560130	GEV97, 1.8m power cable, connects GS10 receiver to external battery GEB171.	\$	200
733298	GEV172, power cable, 2.8m connects GS10 receiver to two GEB171 batteries.	\$	410
756365	GEV215, Y-cable for Raw Data Logging Setup. Connects CS09 Controller and GS09 SmartAntenna with a GEB1	\$	400
748418	GEV205, 1.8m Y-cable for RTK Reference Setup, Connects GS15 receiver and Leica GFU modem with extern	\$	400
758469	GEV219, Power Cable,1.8m, connects GS10/GS15, CS10/CS15 (with Lemo CBC01 connector module) TS/TM5	\$	200
796492	GEV264, Y-Cable for GS14, external radio in GFU housing and GEB171 power	\$	400
793364	GEV261, USB data X-cable for communication to PC, connects Lemo1 8-pin to PC USB A connector (USB data)	\$	540
439038	GEV71, 4m car battery cable, connects all battery cables to 12V car battery.	\$	340
563625	GEV102, Data transfer cable, connects a TPS or DNA to PC (9-pin RS232 serial), 2m.	\$	130
734698	GEV187, Y-cable, connects TPS1200+ to PC (9-pin RS232 serial) and external battery, 2m.	\$	400
733280	GEV160, 2.8m Data transfer cable, for serial connection between GS10 (port 2, port 3) or GS15(port 2) to PC. (L	\$	130
733282	GEV162, 2.8m Data transfer cableconnects GS10/GS15 receiver (port1) or CS10/CS15 controller (with Lemo CB	\$	200
733297	GEV171, 1.8m cable to program the Sateline 3AS radio modem inside the GFU14 housing.	\$	440
767803	GEV231, programming cable for SLR radios	\$	540
759257	GEV220, Y-cable, connects TS30/TM30 to PC (9-pin RS232 serial) and external battery, 2m.	\$	400
793364	GEV261, USB data X-cable for communication to PC, connects Lemo1 8-pin to PC USB A connector (USB data)	\$	540
806093	GEV267, Serial Data transfer Cable, converter cable USB A to Lemo0 5-pin, connects PC to Leica Viva Total Ste	\$	200
806094	GEV268, Serial data transfer cable, converter cable USB to serial (Lemo to USB connector), 2.0m, connects GS1	\$	200
806095	GEV269, Serial Data transfer cable, converter cable USB A to Lemo1 8-pin, connects TS to PC, PC driver includ	\$	200
767899	GEV234, 1,65m USB connection cable. (Lemo to USB A)1.) to connect the CS field controller to GS10/GS15 re	\$	210
764700	GEV223, Data transfer cable for connecting CS10/CS15 field controller to PC (USB A to USB mini connector).	\$	30
793364	GEV261, USB data X-cable for communication to PC, connects Lemo1 8-pin to PC USB A connector (USB data)	\$	540
733283	GEV163, Data transfer cable, connects CS10/CS15 field controller with CSC01 Lemo connector to TS30/TM30, 1	\$	200
756367	GEV217, Data transfer cable, connects CS10/CS15 field controller with CBC01 Lemo connector to TPS1200+, 1.	\$	200
767899	GEV234, 1,65m USB connection cable. (Lemo to USB A)1.) to connect the CS field controller to GS10/GS15 re	\$	210
772807	GEV237, 1.65 m USB connection cable, to connect GS15/GS10 receiver to Lemo port on a CS field controller (w	\$	200
771057	GEV236, Y-cable, connects TS30/TM30 to TCPS radio and external battery, 2m.	\$	540
734697	GEV186, Y-cable, connects TPS1200+ to TCPS28 and external battery.	\$	400
639968	GEV125, 1.8m Cable, 15 pin RS232 to 8 pin Lemo. Cable for Sateline radios without GFU housing to be connect	\$	240
762026	GEV221, Y-cable, connects Sateline 3AS Epic Pro (10 W) radio to GS10/GS15 receiver and 12V car battery.	\$	260
817713	GEV275, Cable GS10/15/25(Port2) - HPR2	\$	310
811818	GEV274, Y-Cable GS08+/10/12/14/15/25(Port1) - HPR2 - SAE	\$	340
809028	GEV272 Power Cable for Satel HPR2	\$	270
748418	GEV205, 1.8m Y-cable for RTK Reference Setup, Connects GS15 receiver and Leica GFU modem with extern	\$	400
767897	GEV232, cable connects GS15 receiver to System1200 GFU devices, length 2.8m	\$	320
767898	GEV233, cable connects GS15 receiver to System1200 GFU devices, length 0.8m	\$	250
563809	GEV113, 2.8m Modem cable. Connects GPS receiver Ports 1, 2 and 3 to modem (LEMO 8 Pin to RS232 9 Pin m	\$	130
707525	GK1, Lemo Canon converter 30°, for PC (Lemo to RS232) to be used with GEV186 cable.	\$	100
773753	GEV235-1, AC/DC adapter US, for power supply to CS10/15	\$	30
822787	GEV276, Power supply unit for CS20, for indoor use only. Input 100-240 VAC to output	\$	90
832115	GEV280-3, AC/DC adaptor, US. Power Supply for CS35 Tablet.	\$	130
799776	GEV266, Data cable to connect Sateline Easy Pro 35W to GS14 GNSS receiver	\$	220
809028	GEV272 Power Cable for Satel HPR2	\$	270
811818	GEV274, Y-Cable GS08+/10/12/14/15/25(Port1) - HPR2 - SAE	\$	340
817713	GEV275, Cable GS10/15/25(Port2) - HPR2	\$	310
636959	GEV120, 2.8m antenna cable	\$	110
8201647	Leica Base Station Cable	\$	185
8239111	ADL Vantage Pro Power Data Cable for Programing Radio from PC	\$	120

Antenna Cables



Antenna Cables

667200	GEV141, 1.2m antenna cable.	\$	70
667201	GEV142, 1.6m extension for antenna cable.	\$	70
724969	GEV194, 1.8m antenna cable. To be used for balanced all-on-the-pole setup.	\$	100
636959	GEV120, 2.8m antenna cable	\$	110
632372	GEV119, 10m antenna cable.	\$	130
632390	GEV108, 30m antenna cable.	\$	510
664813	GEV134, 50m antenna cable.	\$	900
667200	GEV141, 1.2m antenna cable.	\$	70
667201	GEV142, 1.6m extension for antenna cable.	\$	70
724969	GEV194, 1.8m antenna cable. To be used for balanced all-on-the-pole setup.	\$	100
789061	GEV262 Event cable for GS25 with Lemo	\$	270
667744	GEV150 PPS Output Cable for GPS 500, 2m	\$	140

Event Cable

Accessories

Eyepieces



Eyepiece			
377802	FOK53, Magnification eyepiece, additional eyepiece for increasing telescope magnification to 42x (modification ir	\$	800
308838	FOK53, Magnification eyepiece, additional eyepiece for increasing telescope magnification to 42x	\$	940
793978	GFZ4, Diagonal eyepiece for telescope (for TS02plus only).	\$	1,210
793979	GFZ3, Diagonal eyepiece for telescope (for FlexLine and TS06plus/TS09plus).	\$	1,210
376236	GOK6, Eyepiece for steep sights, with joint allowing variable sighting angle.	\$	2,410
Autocollimation Set			
199899	GOA2, Autocollimation eyepiece.	\$	1,610
394787	GEB62, Plug-in lamp, with cable for autocollimation eyepiece.	\$	610
394792	GEB63, Battery box for autocollimation eyepiece and eyepiece lamp.	\$	1,010
Objective			
743504	GVO13, Objective solar filter for TPS instruments.	\$	400

Containers & Bags



Containers			
667451	GVP609, Container for 2 Circular Prisms - GPR111/112, 2 Laser Plummets and 2 Tribrachs	\$	170
817053	GVP721, Hard container for 2 SmartAntennas, CS field controller and accessories for a Base and Rover setup.	\$	230
817055	GVP722, Hard container for SmartAntenna, CS Field Controller and accessories for a SmartPole and SmartStatic	\$	230
817056	GVP723, Hard container for GNSS Receiver, CS field controller and accessories for a Base setup	\$	230
817052	GVP720, Hard container for SmartAntenna, CS field controller and accessories for a Rover setup	\$	150
817057	GVP724, Small-sized hard container for 360° prism and controller for TS Robotic Pole setup	\$	140
791695	GVP659, Hard container for two GS08plus/GS14 SmartAntennas, CS10/CS15 field controller and accessories fo	\$	190
Softbags			
767904	GVP643, Soft bag for CS10 field controller for transportation and protection against dirt. Including belt loop.	\$	30
767905	GVP644, Soft bag for CS15 field controller field controller for transportation and protection against dirt. Including	\$	30
790314	GVP703, Softbag	\$	40
770707	GVP 647, Minipack for GNSS receiver	\$	190
727589	CTC102, Soft bag with shoulder strap, for prism station, consist of tribrach, prism carrier or laser plummet and pri	\$	70
Accessories for Containers			
744501	GDZ66, Backstraps (2) for GVP640 and GVP642 hard container.	\$	40
833517	GVP717, Sidebag for container GVP721/722/723/725.	\$	100
833518	GVP718, Basic backstrap for container GVP721/722/723/725.	\$	100
833519	GVP719, Shoulderstrap for container GVP721/722/723/725.	\$	80