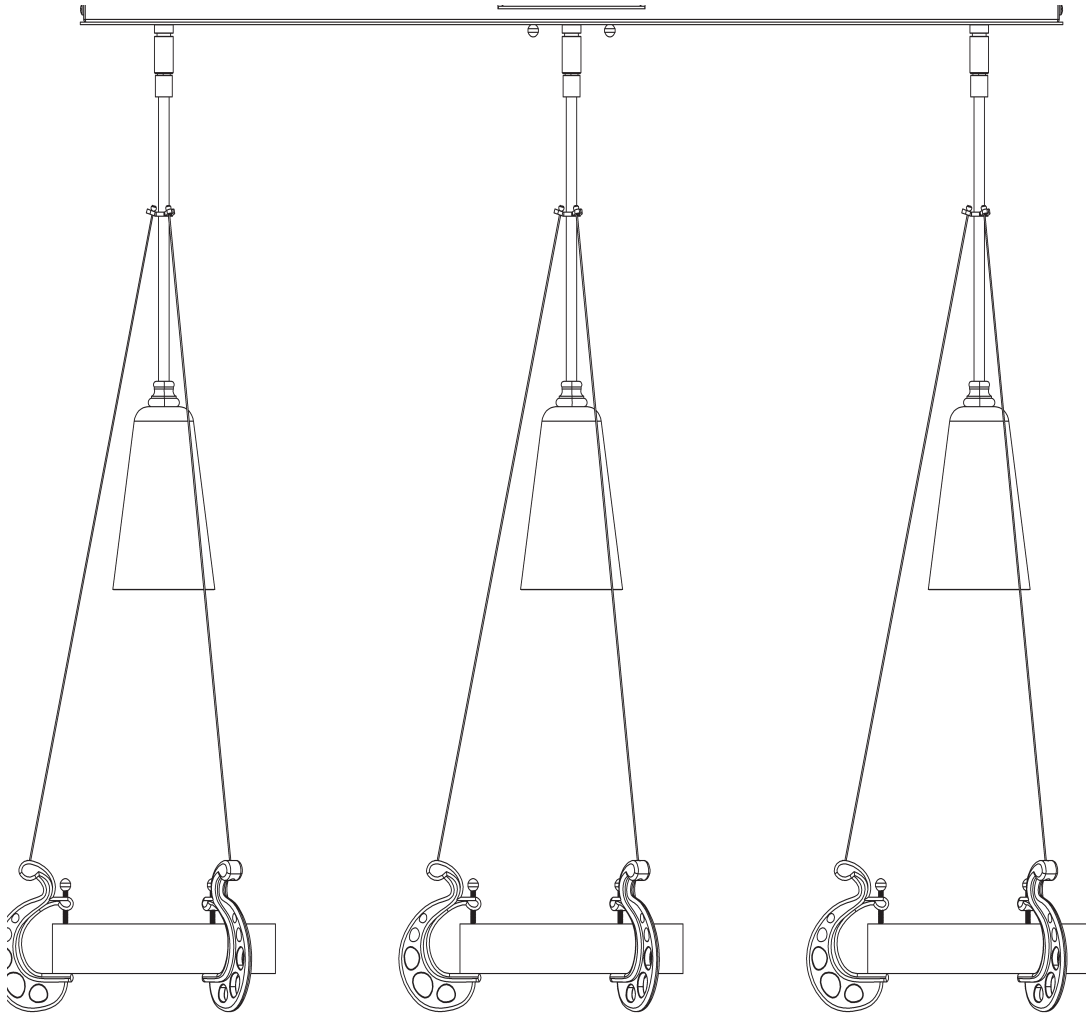


ASSEMBLY & INSTALLATION INSTRUCTIONS

A510

Lens Multi Pendant 137815

CONTENTS



HUBBARDTON FORGE.

MODERN AMERICAN BLACKSMITHS | FINE, HAND CRAFTED LIGHTING
CASTLETON, VERMONT USA | HUBBARDTONFORGE.COM

39010 A

Component Parts

- | | |
|---|--|
| <p>A Fixture</p> <p>B Hex Nipple (3)</p> <p>C Ground Screw</p> <p>D Lockwasher (3)</p> <p>E Canopy</p> <p>F Mounting Bracket</p> <p>G Canopy Pipe Assembly</p> <p>H Fixture Coupling</p> <p>I Anchors</p> <p>J Fixture Pipe</p> <p>K Clutch</p> <p>L Set Screw</p> <p>M Plastic Sleeve</p> <p>N Tri-washer (3)</p> <p>O Cable (9)</p> <p>P Nylon tipped thumb screw (9)</p> <p>Q Glass (3)</p> <p>R Clamp (9)</p> <p>S Bulb (not included)</p> <p>T #10 Screws</p> <p>U Ground Wire</p> <p>V Crossbar</p> <p>W Support Cable</p> | <p>X Ground Screw</p> <p>Y #8 Screws</p> <p>Z Threaded studs with knurled balls</p> |
|---|--|

CAUTION: FAILURE TO INSTALL THIS FIXTURE PROPERLY MAY RESULT IN SERIOUS PERSONAL INJURY OR DEATH AND PROPERTY DAMAGE. We recommend installation by a licensed electrician. This product must be installed in accordance with applicable installation code(s), by a person familiar with the construction and operation of the product and the hazards involved.*

Caution: Do not exceed maximum wattage noted on fixture. Use only recommended bulbs with fixture.

Please Note: After installation extra hardware and accessories are possible; our kits are used on multiple products and options.

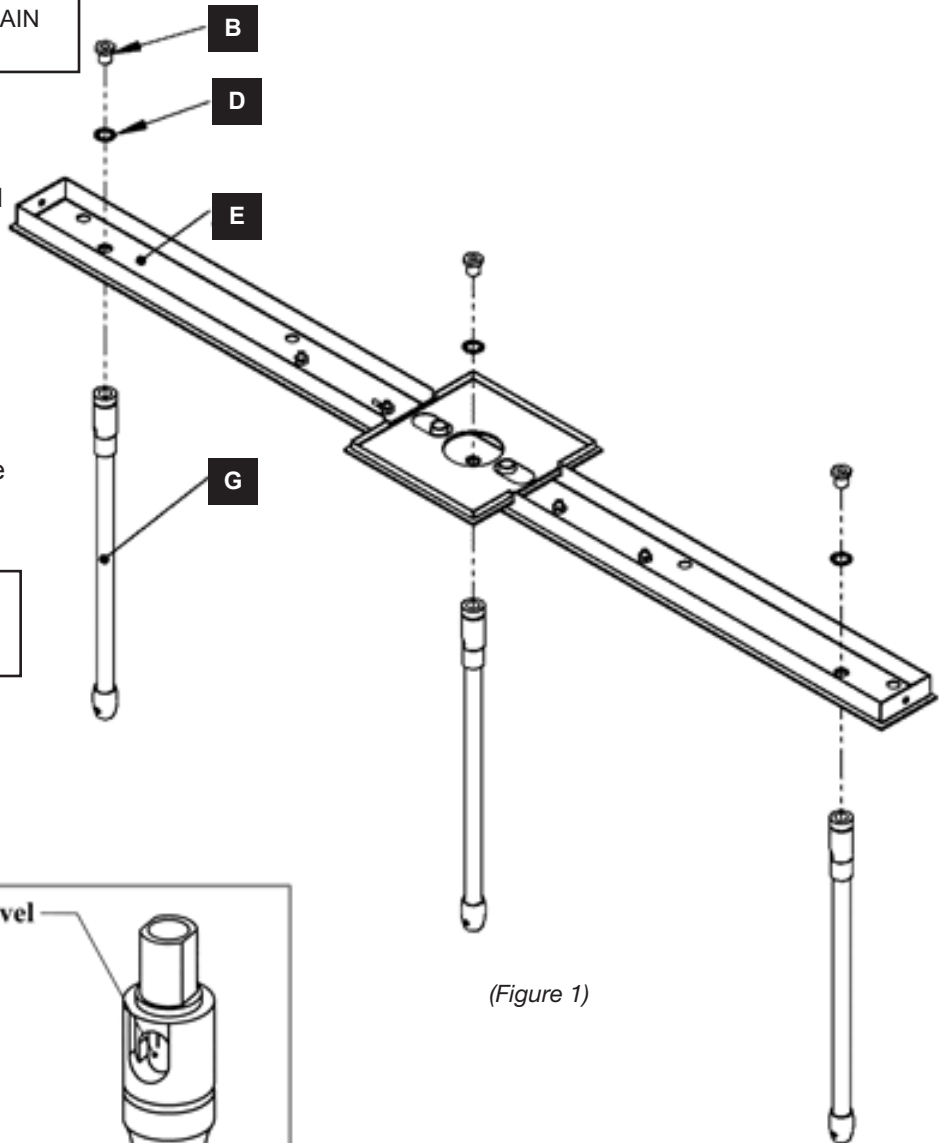
Assemble Canopy (for adjustable height fixtures) (Figures 1 & 2)

CAUTION: BE SURE POWER IS OFF AT THE MAIN BREAKER BOX PRIOR TO INSTALLATION.

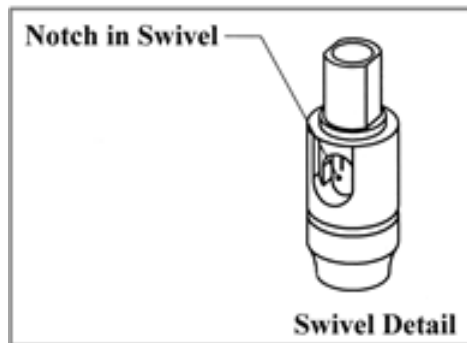
1. Carefully unpack the fixture from the carton.
2. Unscrew the hex nipple (B) from the swivel end of the canopy pipe (G) and remove it and the lock washer (D).
3. Insert threaded end of hex nipple (B) down through the lock washer (D) and canopy (E). Screw into the swivel end of canopy pipe (G).
4. Tighten Hex Nipple (B) securely being sure the notches in the swivels are aligned (see swivel detail). (Figure 2)

Note: If installing on a sloped ceiling, make certain that the notches in the swivel portion of the stems are oriented toward the lower side of the slope.

5. Repeat steps for all three stems.



(Figure 1)



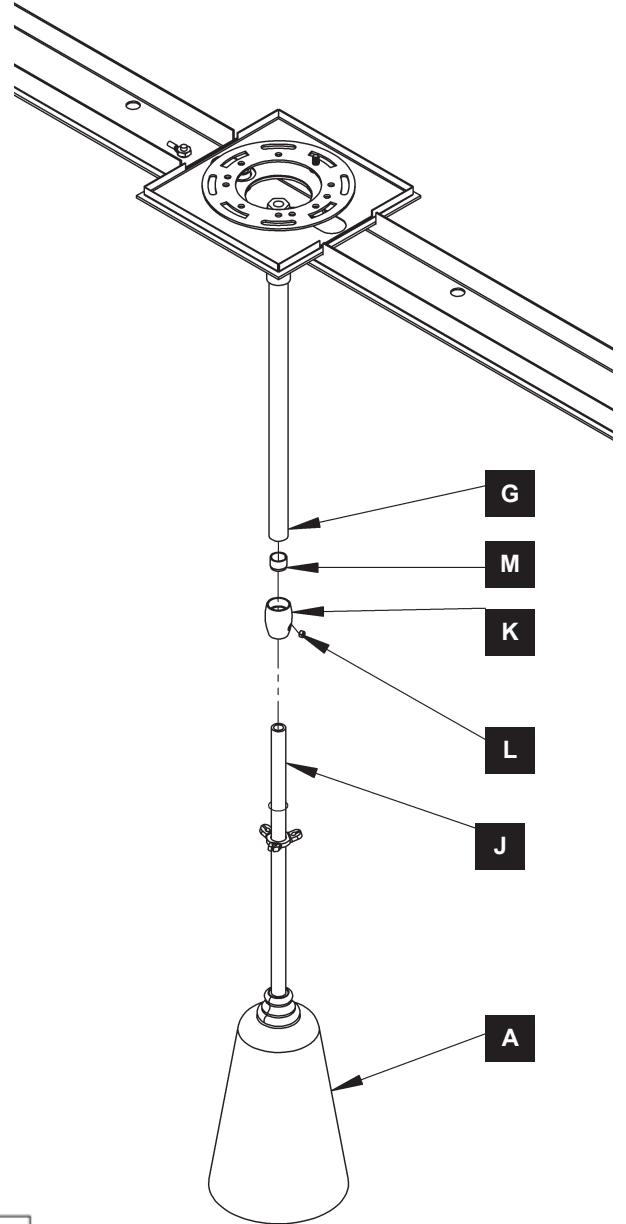
(Figure 2)

continued

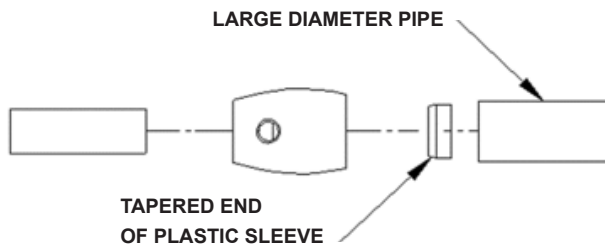
Lens Multi Pendant 137815

Assemble Fixture (for adjustable height fixtures) (Figures 3 & 4)

1. Slide the wires from the fixture pipe (J) through the canopy pipe assembly (G).
2. Unscrew the clutch (K) from the canopy pipe assembly (G); slide it across the wires and onto the fixture pipe (J). Follow this with the plastic sleeve (M), oriented so the tapered end nests in the clutch (K) (Figure 4). It may be necessary to loosen the set screw (L) in the clutch (K).
3. Slide the canopy pipe assembly (G) over the fixture pipe (J) as far as necessary to give you the total length of the fixture which you desire. Be careful not to scratch the pipe surface and to pull excess wire up through the canopy pipe assembly (G). There must be a minimum 1-1/2" of inner pipe inside the outer pipe.
4. Tighten the set screw (L) in clutch (K) firmly with hex wrench provided.
5. See 'To Install Fixture' to complete installation.



(Figure 3)



(Figure 4)

continued

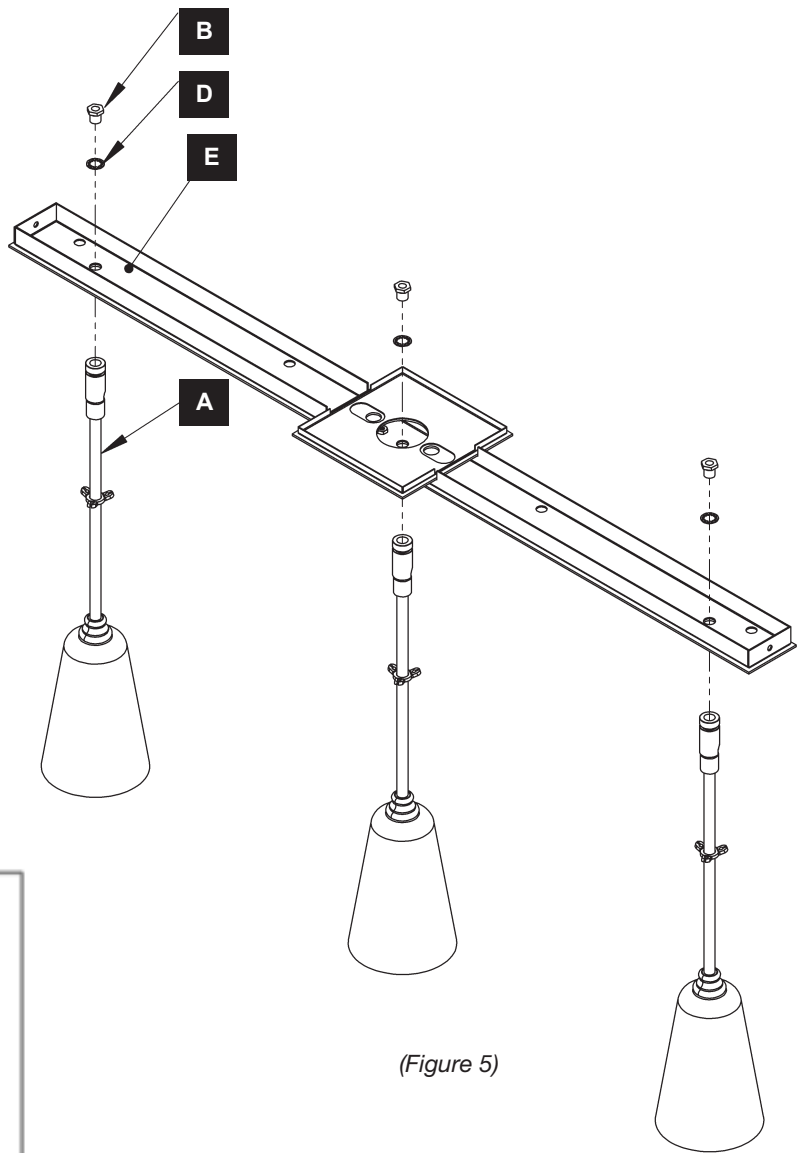
Lens Multi Pendant 137815

Assemble Canopy & Fixture (for fixed height fixtures) (Figures 5 & 6)

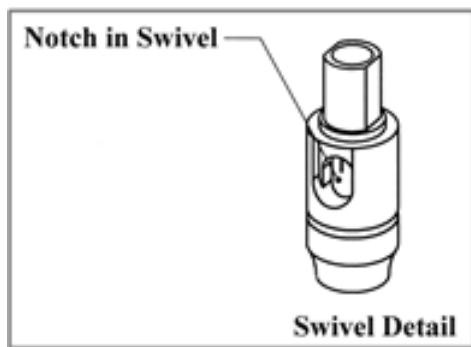
1. Unscrew the hex nipple (B) from the swivel end of the fixture (A) and remove it and the lock washer (D).
2. Feed the wires from the fixture (A) through the canopy (E), lockwasher (D) and hex nipple (B).
3. Insert threaded end of hex nipple (B) down through the lock washer (D) and canopy (E). Screw into the swivel end of canopy pipe (G).
4. Tighten Hex Nipple (B) securely being sure the notches in the swivels are aligned (see swivel detail). (Figure 2)

Note: If installing on a sloped ceiling, make certain that the notches in the swivel portion of the stems are oriented toward the lower side of the slope.

5. Repeat steps for all three stems.
6. See 'To Install Fixture' to complete installation.



(Figure 5)

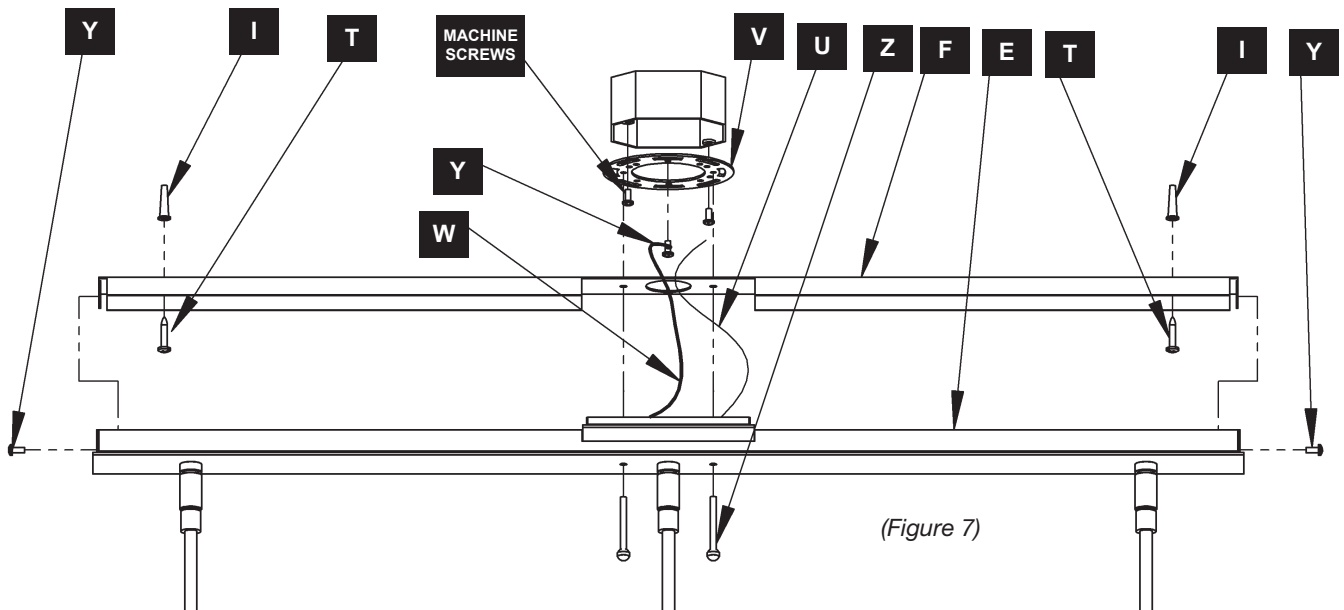


(Figure 6)

continued

Lens Multi Pendant 137815

Install Fixture (Figure 7)



1. Install crossbar (V) over electrical box using two machine screws (not provided).

Note: A new electric box comes with screws. When replacing a fixture, retain the existing screws for use with the new fixture.

2. Position the mounting bracket (F) over the crossbar (V) aligning the two center holes in bracket (F) with threaded holes in crossbar (V). Orient mounting bracket (F) to desired hanging position and mark the location of all anchors (I) on the ceiling. Set the mounting bracket (F) aside.
3. Drill 1/4" holes in the locations marked on the ceiling. Place the tapered ends of all anchors (I) into the holes and gently tap flush with a hammer.
4. Place mounting bracket (F) over anchors (I). Thread the #10 screws (T) through the bracket (F) and into the anchors (I) to secure the bracket to the ceiling. Be careful not to over tighten or strip the anchors.
5. Check that the ground wire (U) and all three socket wires and support cable (W) are routed up through the center hole in the square section of the canopy (E).
6. Raise fixture and canopy (E) close to ceiling. Attach support cables (W) to the crossbar (V) using the #8 screw (Y).

CAUTION: The cable is intended to temporarily suspend fixture while wiring connections are completed. Never depend on them to support fixtures with the fixture installed.

7. Using suitable wire connectors (not provided) connect fixture wires to the supply wire (white to white and black to black). Connect all ground wires, including fixture ground wire (U). Push wires back into outlet box.
8. Raise canopy (E) to ceiling and push firmly to ceiling, making sure that no wires are pinched between canopy and ceiling. Secure the canopy by threading studs with knurled balls (Z) into the crossbar (V). Thread #8 screws (Y) through the ends of the canopy into the threaded holes in the mounting bracket (F).

continued

CAUTION: MAKE SURE WIRE CONNECTORS ARE TWISTED ON SECURELY, AND NO BARE WIRE IS EXPOSED.

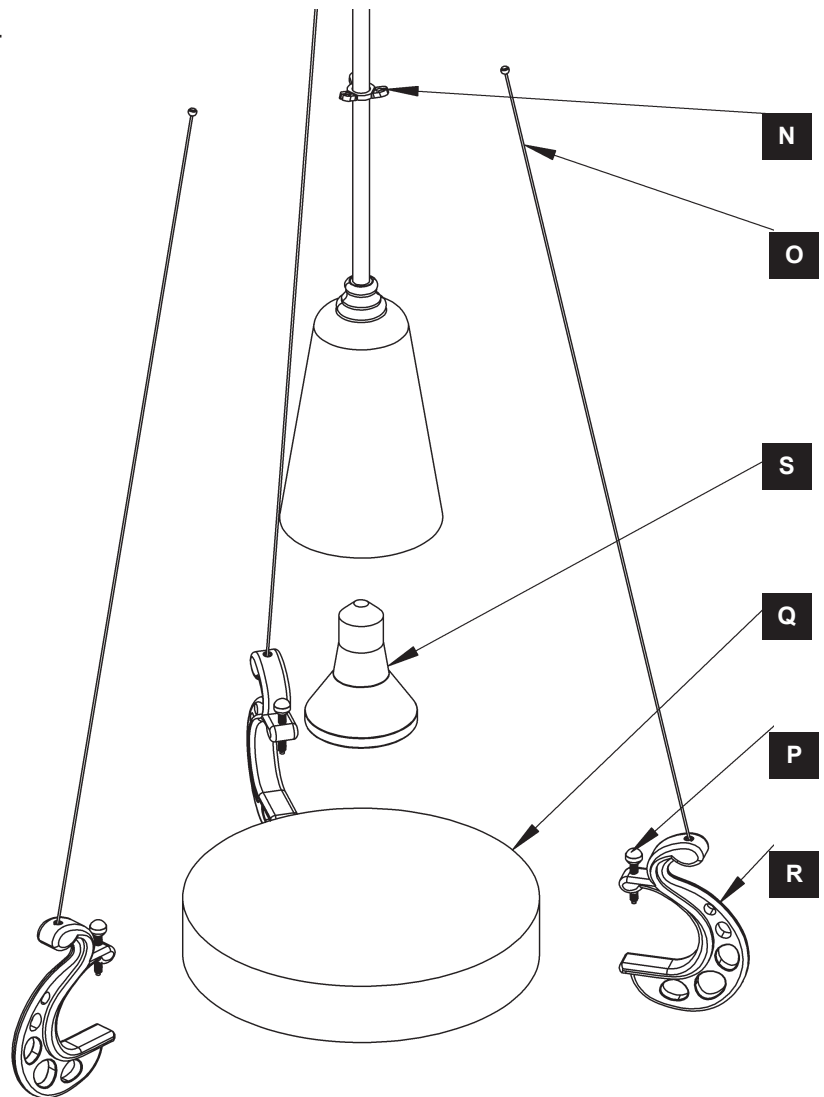
9. Once the fixture is fastened to the ceiling, tighten the clutch set screws (I) (Figure 4) firmly with hex wrench provided. Only after the set screws (I) are tight is the fixture fully supported.
10. See 'To Install Glass' to complete installation.

To Install Glass (Figure 8)

1. Locate ball end of the cable (O) that is attached to the clamp (R).
2. Place ball end of cable (O) into tri-washer (N). Repeat for remaining cables (O) and clamps (R).
3. Loosen thumb screws (P) in each of the clamps (R).
4. Place glass (Q) in opening of clamps (R), spacing them equally around the glass.
5. Tighten down thumb screws (P) until glass is held firmly. Do not over tighten.

Note: Hand blown glass varies in thickness. It may be necessary to spin the glass in order for the thumb screws to make contact and hold the glass securely.

6. Repeat for other pieces of glass (Q).
7. Install bulbs (S).
8. Restore electricity at main breaker.



(Figure 8)

If you need further assistance, or find that you are missing any parts, please contact the dealer from which you purchased this product. We hope you enjoy your fixture!
 *Hubbardton Forge will not be liable for injury or damage caused by improper installation, lamping or use of this fixture.