

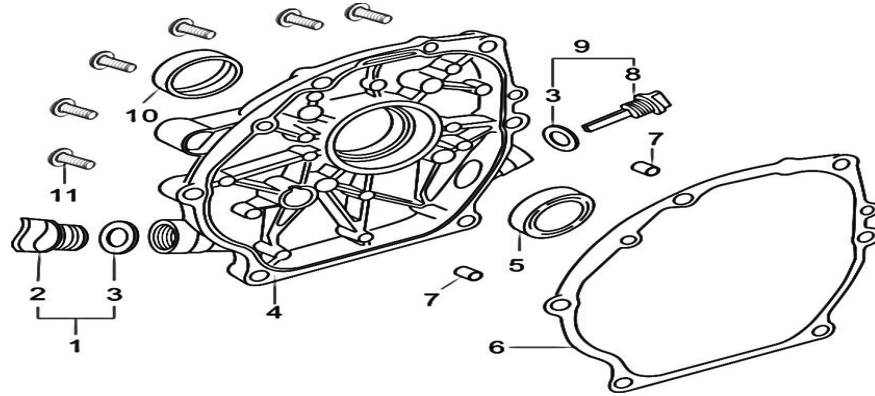


LF160-AH

- 1 Crankcase Assy
- 2 Crankcase Cover
- 3 Cylinder Head
- 4 Crankshaft, Piston, Rod
- 5 Camshaft and Valve Train
- 6 Carburetor Assy
- 7 Fuel Tank
- 8 Air Cleaner Assy
- 9 Muffler
- 10 Recoil Starter
- 11 Fuel Regulating System
- 12 Flywheel
- 13 Ignition Coil

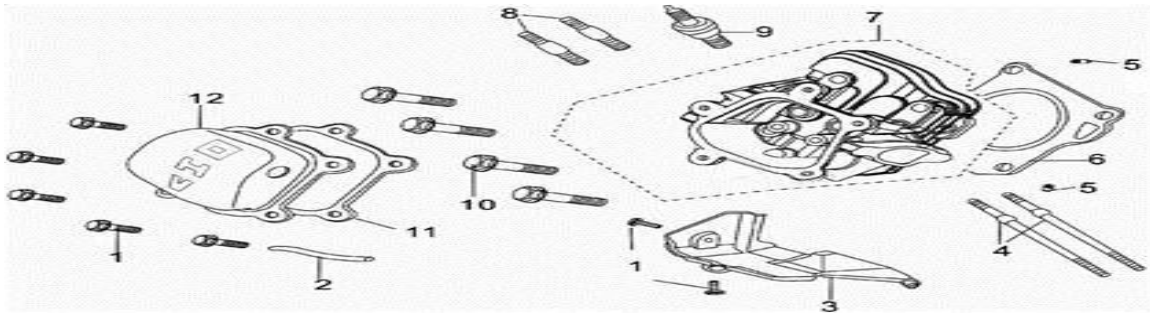
1 Crankcase Assy			
Drawing Number	Part No.	Description	Quantity
1	LF160F-AH-11115/168F-160F	Drain plug	2
2	LF160F-AH-11116/168F-160F	Washer	2
3	LF160F-AH-GB/T276-160F	Bearing 6205	1
4	LF160F-AH-11120/168F-160F	Oil seal, crankshaft	1
5	LF160F-AH-11100-160F	Crankcase	1
6	LF160F-AH-26111/168F-160F	Regulating sway bar	1
7	LF160F-AH-26113/168F-160F	Washer	1
8	LF160F-AH-26112/168F-160F	Split pin	1
9	LF160F-AH-GB/T6177-160F	Nut M10	1
10	LF160F-AH-27400/168F-160F	Oil sensor	1
11	LF160F-AH-GB5787-160F	Bolt M6×14	2
12	LF160F-AH-25115/168F-160F	Regulating shaft	1
13	LF160F-AH-25118/168F-160F	Washer, driven gear	2
14	LF160F-AH-25116/168F-160F	Pin	2
15	LF160F-AH-25111/168F-160F	Driven gear, regulator	1
16	LF160F-AH-25114/168F-160F	Flying block	2
17	LF160F-AH-25100/168F-160F	Driven gear assy, regulator	1
18	LF160F-AH-25117/168F-160F	Snap ring	1
19	LF160F-AH-25113/168F-160F	Washer	1
20	LF160F-AH-25112/168F-160F	Sliding sleeve	1

2 Crankcase Cover



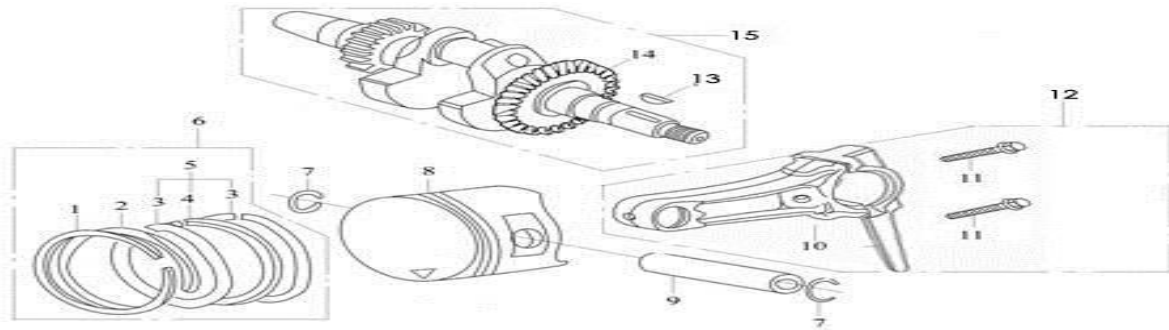
Drawing Number	Part No.	Description	Quantity
1	LF160F-AH-15520/152F-160F	Oil plug with Seal	1
2	LF160F-AH-15521/152F-160F	Oil plug	1
3	LF160F-AH-15512/152F-160F	Seal	2
4	LF160F-AH-11211/168F-2A-160F	Crankcase cover	1
5	LF160F-AH-GB/T276-160F	Bearing 6205	1
6	LF160F-AH-11114/168F-2A-160F	Gasket, crankcase	1
7	LF160F-AH-11113/168F-160F	Set pin ϕ 8x14	2
8	LF160F-AH-15511/152F-160F	Dipstick	1
9	LF160F-AH-15510/152F-160F	Dipstick with seal	1
10	LF160F-AH-11120/168F-160F	Oil seal, crankshaft	1
11	LF160F-AH-GB/T16674-160F	Bolt M8x32	6

3 Cylinder Head



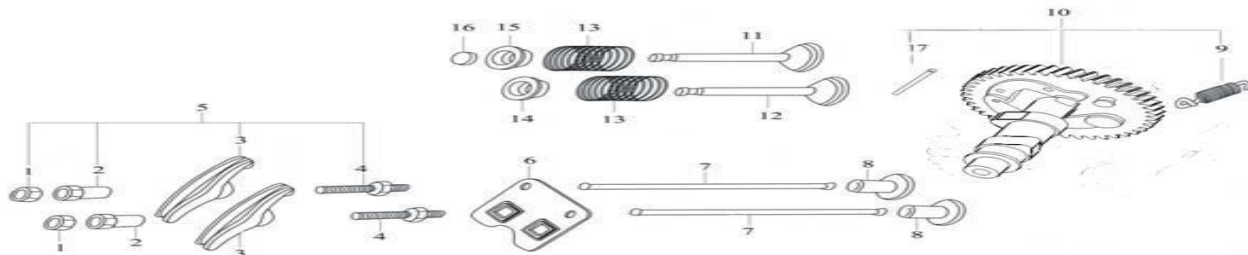
Drawing Number	Part No.	Description	Quantity
1	LF160F-AH-GB/T16674-160F	Bolt M6x12	7
2	LF160F-AH-17217/168F-160F	Air duck	1
3	LF160F-AH-19121/168F-2A-160F	Lead wind cover	1
4	LF160F-AH-17218/168F-160F	Stud M6x96	2
5	LF160F-AH-12218/168F-160F	Set pin ϕ 10x16	2
6	LF160F-AH-12120/168F-160F	Gasket, cylinder head	1
7	LF160F-AH-12100-160F	Cylinder head Assy	1
8	LF160F-AH-18214/168F-160F	Stud M8x34	2
9	LF160F-AH-27100/168F-160F	Spark plug F6TC	1
10	LF160F-AH-12118/168F-160F	Bolt	4
11	LF160F-AH-12212/168F-2A-160F	Gasket, cylinder head cover	1
12	LF160F-AH-12200/168F-2A-160F	Cylinder head cover Assy	1

4 Crankshaft, Piston, Rod



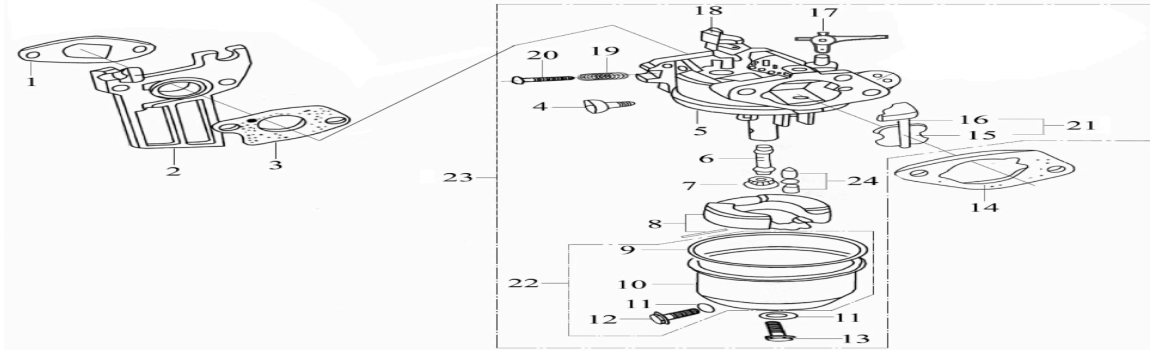
Drawing Number	Part No.	Description	Quantity
1	LF160F-AH-13411/168F-160F	Piston ring (I)	1
2	LF160F-AH-13412/168F-160F	Piston ring (II)	1
3	LF160F-AH-13422/168F-160F	Side rail	2
4	LF160F-AH-13421/168F-160F	Expander	1
5	LF160F-AH-13420/168F-160F	Scraper ring set	1
6	LF160F-AH-13400/168F-160F	Piston ring assy	1
7	LF160F-AH-13313/168F-160F	Piston pin circlip	2
8	LF160F-AH-13311/168F-160F	Piston	1
9	LF160F-AH-13312/168F-160F	Piston pin	1
10	LF160F-AH-13211/168F-160F	Shank	1
11	LF160F-AH-13213/168F-160F	Bolt	2
12	LF160F-AH-13200/168F-160F	Connecting rod assy	1
13	LF160F-AH-13112/168F-160F	Woodruff key	1
14	LF160F-AH-13111/168F-160F	Crankshaft	1
15	LF160F-AH-13100/168F-160F	Crankshaft assy	1

5 Camshaft and Valve Train



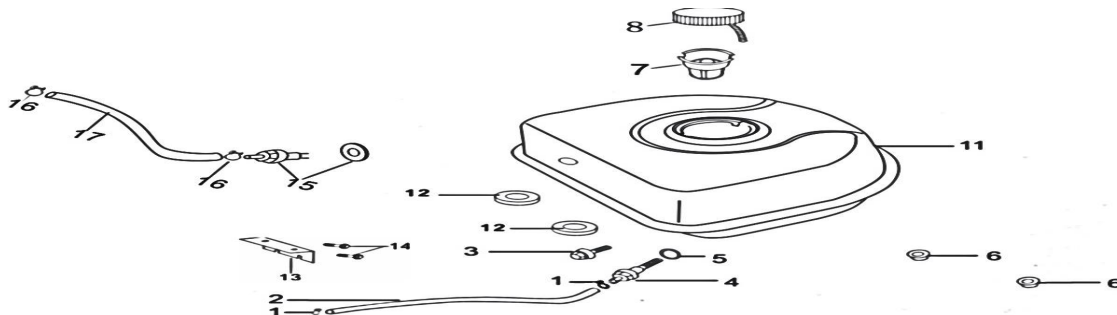
Drawing Number	Part No.	Description	Quantity
1	LF160F-AH-14314/168F-160F	Lock nut	2
2	LF160F-AH-14312/168F-160F	Sleeve	2
3	LF160F-AH-14311/168F-160F	Valve rocker	2
4	LF160F-AH-14313/168F-160F	Adjusting bolt for valve gap	2
5	LF160F-AH-14310/168F-160F	Valve rocker assy	2
6	LF160F-AH-14221/168F-160F	Pusher guide	1
7	LF160F-AH-14210/168F-160F	Pusher	2
8	LF160F-AH-14315/168F-160F	Tappet	2
9	LF160F-AH-14122/168F-160F	Extension spring	1
10	LF160F-AH-14100/168F-160F	Camshaft Assy	1
11	LF160F-AH-14412/168F-160F	Exhaust valve	1
12	LF160F-AH-14411/168F-160F	Intake valve	1
13	LF160F-AH-14414/168F-160F	Valve spring	2
14	LF160F-AH-14413/168F-160F	Spring seat, intake valve	1
15	LF160F-AH-14415/168F-160F	Spring seat, exhaust valve	1
16	LF160F-AH-14416/168F-160F	Cap	1
17	LF160F-AH-14128-160F	Needle	1

6 Carburetor Assy



Drawing Number	Part No.	Description	Quantity
1	LF160F-AH-17219/168F-160F	Inlet gasket	1
2	LF160F-AH-16112/168F-160F	Connecting block	1
3	LF160F-AH-16113/168F-160F	Carburetor gasket	1
4	LF160F-AH-16351/168F-160F	Idle adjustment screw	1
5	LF160F-AH-16240/168F-160F	Mixture chamber body	1
6	LF160F-AH-16244/168F-160F	Main nozzle	1
7	LF160F-AH-16243/168F-160F	Main jet	1
8	LF160F-AH-16220/168F-160F	Float	1
9	LF160F-AH-16216/168F-160F	Float chamber gasket	1
10	LF160F-AH-16211/168F-160F	Float chamber	1
11	LF160F-AH-16215/168F-160F	Washer	2
12	LF160F-AH-16214/168F-160F	Float chamber drain Screw	1
13	LF160F-AH-16212/168F-160F	Screw	1
14	LF160F-AH-17113/168F-160F	Air cleaner gasket	1
15	LF160F-AH-16321/168F-160F	Choke	1
16	LF160F-AH-16322/168F-160F	Choke stem	1
17	LF160F-AH-16114/168F-160F	Choke switch	1
18	LF160F-AH-16250/168F-160F	Throttle unit	1
19	LF160F-AH-16332/168F-160F	Spring, mixture adjustment screw	1
20	LF160F-AH-16331/168F-160F	Mixture adjustment screw	1
21	LF160F-AH-16320/168F-160F	Choke unit	1
22	LF160F-AH-16210/168F-160F	Float chamber	1
23	LF160F-AH-16100-160F	Carburetor Assy	1
24	LF160F-AH-16230/168F-160F	Float needle	1

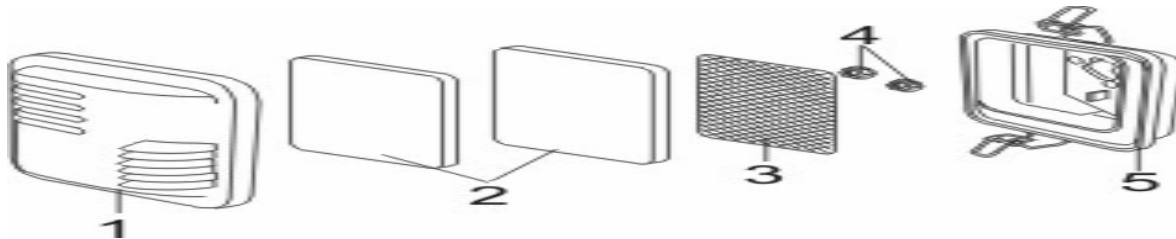
7 Fuel Tank



Drawing Number	Part No.	Description	Quantity
1	LF160F-AH-16622/168F-160F	Hoseclamp	2
2	LF160F-AH-16621/168F-2A-160F	Outlet pipe	1
3	LF160F-AH-GB/T16674.2-160F	Bolt M6×25	1
4	LF160F-AH-16630/168F-160F	Connector	1
5	LF160F-AH-16634/168F-160F	Packing ring	1

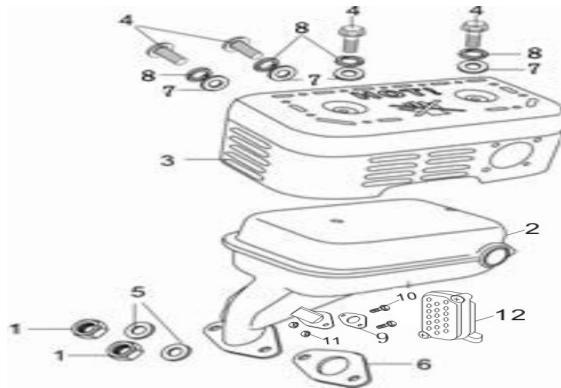
6	LF160F-AH-GB6187-160F	Nut M6	2
7	LF160F-AH-16610/168F-160F	Filter cup	1
8	LF160F-AH-16400/168F-160F	Fuel filler cap with packing ring	1
9			
10			
11	LF160F-AH-16500/168F-2A-160F	Fuel tank	1
12	LF160F-AH-51115/40ZB60-4.8QT-160F	Fuel tank shock pad	2
13	LF160F-AH-16521-160F	Board	1
14	LF160F-AH-GB/T5789-160F	Bolt	2
15	LF160F-AH-16557-160F		1
16	LF160F-AH-16622-160F		2
17	LF160F-AH-11513-160F		1

8 Air Cleaner Assy



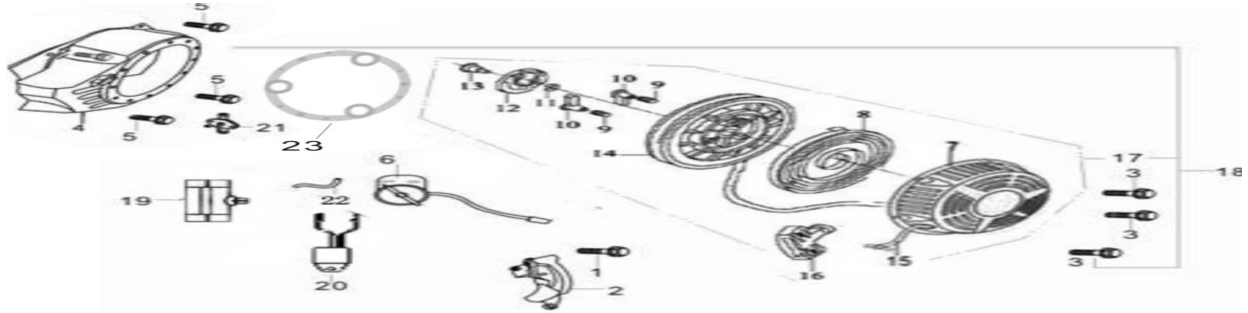
Drawing Number	Part No	Description	Quantity
1	LF160F-AH-17112/160F-A-160F	Air cleaner cover	1
2	LF160F-AH-17120/160F-A-160F	Filter element	1
3	LF160F-AH-17125/160F-A-160F	Steel wire net	1
4	LF160F-AH-GB6187-160F	Nut M6	2
5	LF160F-AH-17114/160F-A-160F	Air cleaner base	1

9 Muffler



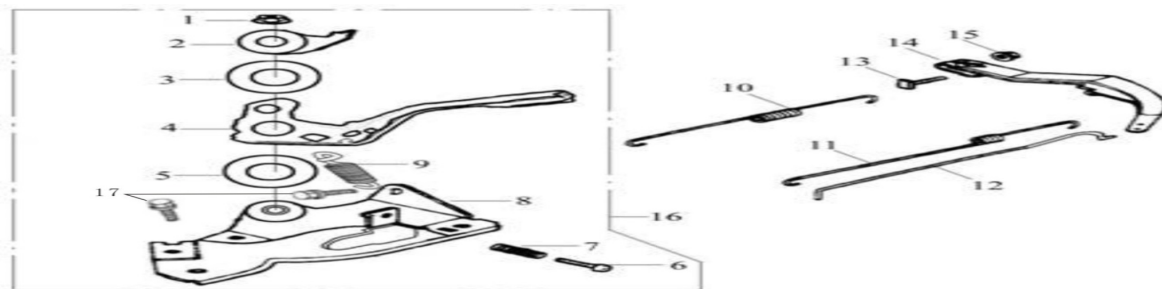
Drawing Number	Part No	Description	Quantity
1	LF160F-AH-GB6170-160F	Nut M8	2
2	LF160F-AH-18100/168F-2A-160F	Muffler	1
3	LF160F-AH-18200/168F-2A-160F	Muffler hood	1
4	LF160F-AH-GB/T817-160F	Bolt M6x8	4
5	LF160F-AH-GB/T97.1-160F	Washer	2
6	LF160F-AH-18215/168F-160F	Exhaust gasket	1
7	LF160F-AH-GB/T6170-160F	Washer	4
8	LF160F-AH-GB/T93-160F	Washer	4
9	LF160F-AH-18172-160F	gasket	1
10		Bolt M6x20	2
11			2
12			1

10 Recoil Starter



Drawing Number	Part No	Description	Quantity
1	LF160F-AH-GB/T16674.2-160F	Bolt M6×22	1
2	LF160F-AH-19300-160F	Crankcase side plate assy	1
3	LF160F-AH-GB/T16674.2-160F	Bolt M6×18	3
4	LF160F-AH-19200/168F-160F	Fan hood assy	1
5	LF160F-AH-GB/T16674.2-160F	Bolt M6×12	5
6	LF160F-AH-27300/168F-160F	Engine switch	1
7	LF160F-AH-23200/168F-160F	Casing	1
8	LF160F-AH-23214/168F-160F	Spiral spring	1
9	LF160F-AH-2322/168F-160F	Ratchet spring	2
10	LF160F-AH-23215/168F-160F	Ratchet	2
11	LF160F-AH-23211/168F-160F	Friction spring	1
12	LF160F-AH-23216/168F-160F	Spring lid	1
13	LF160F-AH-23213/168F-160F	Set screw	1
14	LF160F-AH-23217/168F-160F	Starter rolls	1
15	LF160F-AH-23218/168F-160F	Rope	1
16	LF160F-AH-23231/168F-160F	Pulling handle	1
17	LF160F-AH-23100/168F-160F	Recoil starter	1
18	LF160F-AH-27100/168F-160F	Recoil starter assy	1
19	LF160F-AH-19313/168F-160F	Plastic clip	1
20	LF160F-AH-27500/168F-160F	Diode	1
21	LF160F-AH-16640/168F-160F	Fuel cock	1
22	LF160F-AH-16623/168F-160F	Outlet pipe	1
23	LF160F-AH-23260/168F-160F	Recoil spacer combination	1

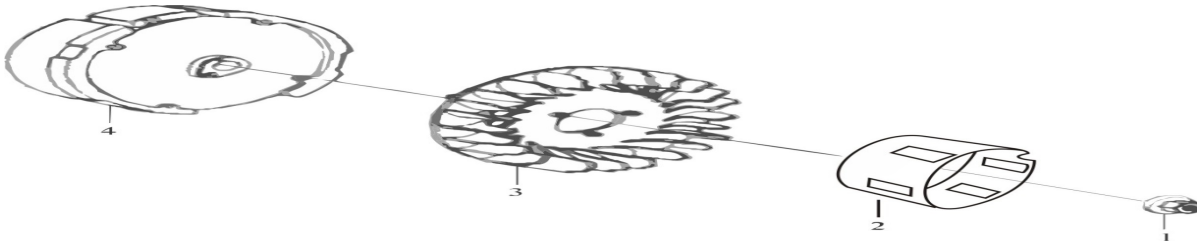
11 Fuel Regulating System



Drawing Number	Part No	Description	Quantity
1	LF160F-AH-GB/T61860-160F	Nut M6	1
2	LF160F-AH-26224/168F-160F	Setting panel	1
3	LF160F-AH-26223/168F-160F	Spring patch	1
4	LF160F-AH-26221/168F-160F	Handgrip	1
5	LF160F-AH-26222/168F-160F	Washer	1
6	LF160F-AH-GB/T818-2000-H-160F	Bolt M5×25	1
7	LF160F-AH-26215/168F-160F	Regulating spring	1
8	LF160F-AH-26210/168F-160F	Support panel assy	1
9	LF160F-AH-26214/168F-160F	Spring	1

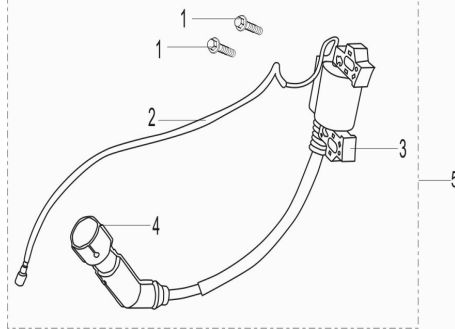
10	LF160F-AH-26117/168F-160F	Back spring	1
11	LF160F-AH-26118/168F-160F	Fine regulating spring	1
12	LF160F-AH-26115/168F-160F	Pulling rod	1
13	LF160F-AH-26116/168F-160F	Lock bolt	1
14	LF160F-AH-26114/168F-160F	Regulating arm	1
15	LF160F-AH-GB/T6187-160F	Nut M6	1
16	LF160F-AH-26200/168F-160F	Regulating frame assy	1
17	LF160F-AH-GB/T16674.2-160F	Bolt M6x12	2

12 Flywheel



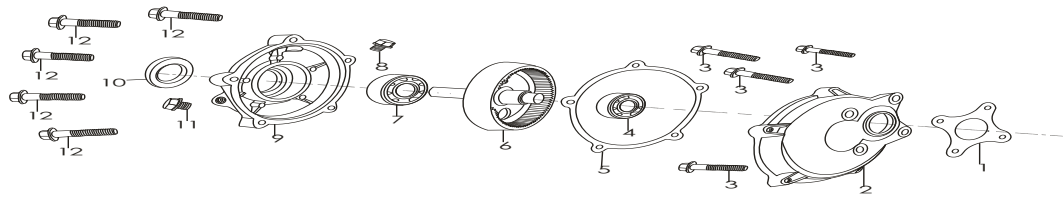
Drawing Number	Part No	Description	Quantity
1	LF160F-AH-23317/168F-160F	Nut M14x1.5	1
2	LF160F-AH-23316/168F-160F	Starting flange	1
3	LF160F-AH-19111/168F-160F	Flywheel fan	1
4	LF160F-AH-23300/168F-160F	Flywheel	1

13 Ignition Coil



Drawing Number	Part No	Description	Quantity
1	LF160F-AH-GB/T16674-160F	Screw M6x22	2
2	LF160F-AH-27230/168F-160F	Spark plug cap	1
3	LF160F-AH-27200/168F-2A-160F	Ignition coil	1
4	LF160F-AH-27220/168F-160F	Spark plug cap	1
5	LF160F-AH-27210/168F-160F	Ignition coil assy	1

14 Reducer



Drawing	Part No	Description	Quantity
1	LF160F-AH-23512-160F	Cover, reducer case spacer	1
2	LF160F-AH-23521-160F	Speed reducer gearbox	1
3	LF160F-AH-GB5758-86-160F	Beating 6204	1
4	LF160F-AH-GB276-89-160F	Casket, reducer case	1
5	LF160F-AH-23519-160F	Gear output shaft	1
6	LF160F-AH-23571-160F	Beating 6305	1
7	LF160F-AH-GB276-89-160F	Cover, reducer case	1
8	LF160F-AH-23514-160F	Ventilate bolt M12x14	1
9	LF160F-AH-23511-160F	Bolt M8x35	5
10	LF160F-AH-13180-160F	Oil seal, power shaft	1
11	LF160F-AH-23515-160F	Drain piug M12x14	1
12	LF160F-AH-GB5758-86-160F	Reducer setting boit M8x4	4