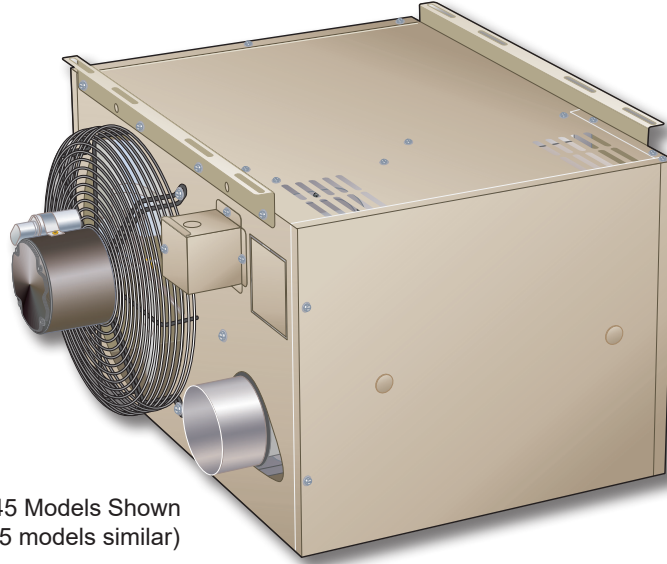


**RESIDENTIAL / COMMERCIAL  
PRODUCT SPECIFICATIONS**

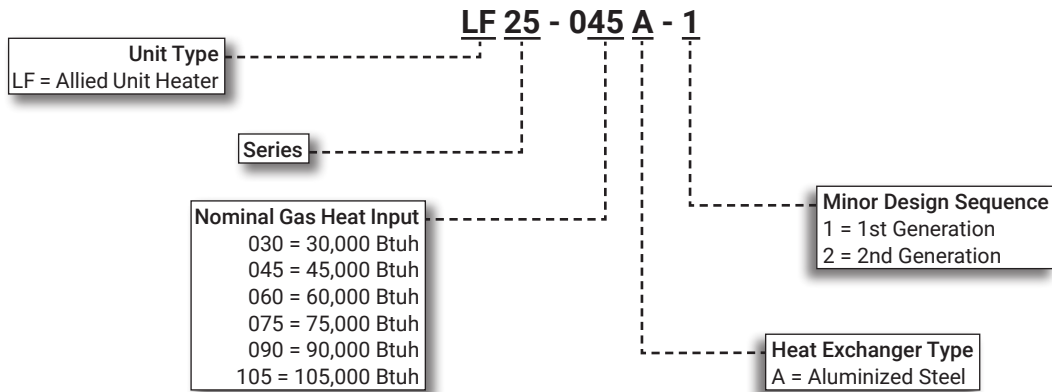
Bulletin No. 310892  
August 2020  
Supersedes June 2020



LF25-030-045 Models Shown  
(LF25-60-105 models similar)

**Steady-State Efficiency - up to 83.8%**  
**Input - 30,000 to 105,000 Btuh**

**MODEL NUMBER IDENTIFICATION**



**CONTENTS**

Approvals And Warranty . . . . .	1
Dimensions . . . . .	6
Electrical Data . . . . .	4
Features And Benefits . . . . .	2
Installation Clearances . . . . .	5
Maximum Vent Connector Lengths . . . . .	5
Model Number Identification. . . . .	1
Optional Accessories - Gas Heat . . . . .	4
Specifications . . . . .	4
Vent Kits And Accessories. . . . .	7

**APPROVALS AND WARRANTY**

**WARRANTY**

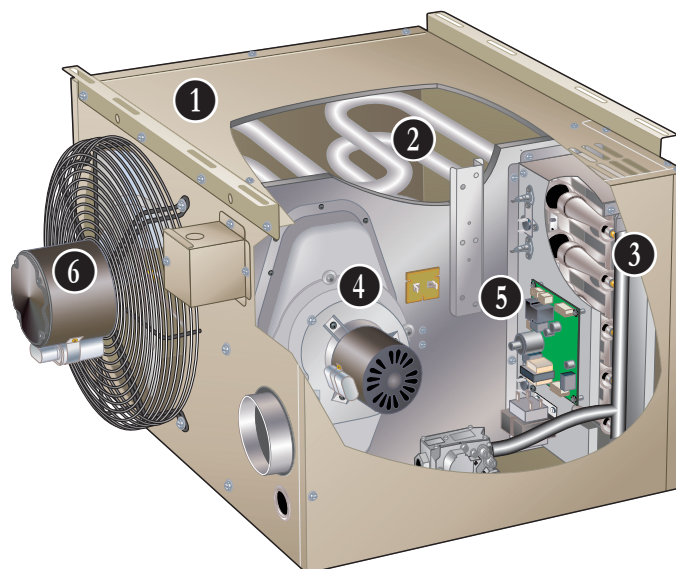
- Heat Exchanger - Aluminized steel - ten year limited
- All other covered components:
  - Five year limited - Residential installations
  - One year limited - Non-residential installations

**APPROVALS**

- CSA International certified
- Certified for natural or LPG/Propane gas.
- Units are approved for vertical or horizontal venting

## FEATURE HIGHLIGHTS

1. Heavy Gauge Steel Cabinet
2. Tubular Heat Exchanger
3. Inshot Burners
4. Combustion Air Inducer
5. Combination Ignition Control
6. Direct Drive fan



## FEATURES AND BENEFITS

### APPLICATIONS

- Horizontal unit heaters are low profile, compact in design and easy to install
- Steady State Efficiencies - Up to 83.8%
- Ideal for economical heating systems in garages and non-confined living spaces
- Shipped completely assembled with controls factory installed and wired
- Hanging brackets are shipped loose for field installation
- Test operated at the factory to ensure proper operation and dependability

**NOTE** - Installer must locate unit, make unit gas supply, flue, electrical connections and mount thermostat to complete job.

### 1 CABINET

- Constructed of pre-painted heavy gauge cold rolled steel
- Hinged, reversible door for easy access
- Adjustable louvers are furnished on cabinet for control of air flow direction
- Wiring junction box is conveniently located outside unit cabinet for easy field wiring connections
- Hanging brackets for suspending unit are furnished for field installation
- Unit may be rotated 180 degrees (top for bottom) for ease of installation of gas, electrical and flue locations

### HEATING SYSTEM

#### 2 Tubular Aluminized Steel Heat Exchanger

- Tubular heat exchanger is constructed of aluminized steel for superior resistance to corrosion and oxidation
- Curving design of heat exchanger allows complete exposure of heating surfaces to supply air stream
- Dimpled tubes with wrinkle bends allow for maximum heat transfer

- Compact design reduces space requirements in unit cabinet. Heat exchanger has been laboratory life cycle tested

#### 3 Inshot Burner Assembly

- Aluminized steel inshot burners provide efficient trouble free operation
- Burner venturi mixes air and gas in correct proportion for proper combustion
- Burner assembly is removable from the unit as a single component for ease of service

#### Gas Control Valve

- 24 volt redundant combination gas control valve combines manual shut off switch (On-Off), automatic electric valve (dual) and gas pressure regulation into a compact combination control

#### 4 Combustion Air Inducer

- Prepurges heat exchanger and safely vents combustion products
- Operates only during heating cycle
- Blower motor has ball bearings and is thermally protected

#### Pressure Switch

- Pressure switch prevents unit operation in case of blocked flue outlet

#### Limit Control(s)

- Factory installed and accurately located
- Limit control has fixed temperature setting and protects heating system from abnormal operating conditions

#### Flame Rollout Switch

- Automatic reset switch is factory installed on the top of the burner box

## FEATURES AND BENEFITS

### HEATING SYSTEM (continued)

#### Optional Accessories

##### High Altitude Orifice Kits

- Required on all units for proper unit operation at altitudes from 5001 to 10,000 ft. (US) and 7501 to 10,000 ft. (Canada)
- Kits are available for natural gas and LPG/propane

##### High Altitude Pressure Switch Kit

- Required for proper unit operation at various elevations

##### Natural Gas to LPG/Propane Conversion Kit

- Required for field changeover from natural gas to LPG/Propane

### CONTROLS

#### **5** Combination Direct Spark Ignition/Fan Timer Control Ignition Control

- Electronic direct spark ignition control provides positive and safe main burner ignition.
- Spark is intermittent and occurs only when required.
- Separate electronic flame sensor control assures safe and reliable operation.
- Should loss of flame occur, flame sensor controls will initiate 5 attempts at re-ignition before locking out unit operation.
- Control board contains all necessary controls and relays to operate unit.
- Includes: Fan timer control - fan on 30 seconds (fixed), fan off 150 seconds (fixed), terminal strip for thermostat connections, diagnostic LED for troubleshooting.
- Direct plug-in wiring harness.

##### Transformer

- 120V/24V transformer furnished as standard

### VENTING

- Units may be vented horizontally or vertically
  - **Residential Vertical Venting** - Units are approved for installation with single wall vent pipe or Type B double wall vent pipe
  - **Residential Horizontal Venting** - Units are approved for residential installation only with Allied-approved stainless steel vent kits
  - **Commercial Vertical Venting** - Units are approved for installation with single wall vent pipe only
  - **Commercial Horizontal Venting** - Units are approved for single-wall vent pipe or optional Allied-approved, UL listed, Cat III stainless steel vent kits

#### Optional Accessories

##### Horizontal Vent Kits

- UL listed, Cat III stainless steel vent kits are required for horizontal venting.
- Available for upward or downward slope
- Vent kits snap together
- Kits include unit transition, vent termination and wall thimble
- Upward slope vent kits have a drain connection
- Provisions for hanging must be field supplied
- Optional 45° or 90° elbow available for ease of vent connection
- Straight pipe sections in various lengths are available

**NOTE** - See Horizontal Vent Kits / Elbow table for Allied-approved Horizontal Vent Kits and accessories on Page 5.

**NOTE** - See drawings for additional information.

**NOTE** - See installation instructions for detailed venting requirements.

##### Vent Adaptor

- Facilitates easy vent connection from unit to vent pipe

**NOTE** - See Vent Adaptor table on Page 5.

**NOTE** - See drawing for additional information.

##### Vent Adaptor Kits (For Retrofit Applications)

- Mounting Plate Kit - Required for 4 inch to 3 inch vent pipe applications
- Vent Adaptor Kits (Upslope and Downslope) for 4 inch unit flue pipe to 3 inch Category III vent pipe

#### **6** DIRECT DRIVE FAN

- Efficient and quiet operating direct drive propeller type fan
- Permanently lubricated fan motor

## SPECIFICATIONS

Model No.		LF25-030A	LF25-045A	LF25-060A	LF25-075A	LF25-090A	LF25-105A
Gas Heating Performance	Heating Capacity Input Btuh	30,000	45,000	60,000	75,000	90,000	105,000
	Heating Capacity Output Btuh - Natural	25,020	37,665	50,220	62,550	75,420	87,675
	Steady State Efficiency - Natural	83.4%	83.7%	83.7%	83.4%	83.8%	83.5%
	Temperature rise - °F	37	52	47	65	43	59
Connections in.	Flue size (round)	4	4	4	4	4	4
	Gas Piping Size - in.	1/2	1/2	1/2	1/2	1/2	1/2
Fan Data	Number of fans	1	1	1	1	1	1
	Fan Diameter - in.	10	10	14	14	16	16
	Number of blades	4	4	4	4	4	4
	Motor Output - hp	1/25	1/25	1/15	1/15	1/10	1/10
	rpm	1550	1550	1075	1075	1075	1075
	Air Volume - cfm	625	665	1000	1200	1600	1500
Air throw at 8 ft. mounting height - ft.	27	29	34	41	46	43	
Weight Data	Net Weight - lbs. (kg)	55 (25)	60 (27)	85 (39)	90 (41)	115 (52)	120 (54)
	Shipping Weight - lbs. (kg)	60 (27)	65 (29)	90 (41)	95 (43)	120 (54)	125 (57)

## ELECTRICAL DATA

Voltage		115 volts - 60 hertz - 1 phase					
Fan motor full load amps		2.0	2.0	2.0	2.0	2.0	3.0
Maximum overcurrent protection		15	15	15	15	15	15

## OPTIONAL ACCESSORIES - GAS HEAT

### NATURAL GAS TO LPG/PROPANE CONVERSION KITS

#### US

0 - 5000 ft.

**18L11**

#### CANADA

0 - 7500 ft.

**18L11**

### LPG/PROPANE HIGH ALTITUDE ORIFICE KIT

#### US

5001 - 8000 ft.

**19A10**

#### CANADA

7501 - 9500 ft.

**19A12**

8001 - 10,000 ft.

**19A11**

### HIGH ALTITUDE ORIFICE KITS - NATURAL GAS ONLY

#### US

5001 - 7000 ft.

**19A17**

#### CANADA

7501 - 9500 ft.

**19A17**

7001 - 10,000 ft.

**19A18**

## HIGH ALTITUDE PRESSURE SWITCH KITS

Model No.	LF25-030A	LF25-045A	LF25-060A	LF25-075A	Model No.	LF25-090A	LF25-105A
0-3000 ft.	Factory	Factory	Factory	Factory	0-2000 ft.	Factory	Factory
3000-5000 ft.	Factory	Factory	Factory	<b>18L20</b>	2001-4000 ft.	<b>18L20</b>	Factory
5001-6000 ft.	Factory	Factory	<b>18L19</b>	<b>18L20</b>	4001-6000 ft.	<b>18L19</b>	<b>18L47</b>
6001-9000 ft.	<b>18L35</b>	<b>18L35</b>	<b>18L19</b>	<b>18L35</b>	6001-7000 ft.	<b>18L35</b>	<b>18L47</b>
9001-10,000 ft.	<b>18L35</b>	<b>18L35</b>	<b>18L50</b>	<b>18L35</b>	7001-10,000 ft.	<b>18L35</b>	<b>18L35</b>

## HORIZONTAL VENT KITS AND ELBOWS

REQUIRED FOR RESIDENTIAL HORIZONTAL VENTING APPLICATIONS

Unit Heater Model No.	Vent Diameter (in.)	Upslope Vent Kit Catalog No.	Downslope Vent Kit Catalog No.	45° Elbow Catalog No.	90° Elbow Catalog No.	<sup>1</sup> Minimum Vent Length (ft.)
LF25-030A, LF25-045A LF25-060A, LF25-075A LF25-090A, LF25-105A	4	75W63	75W67	87W80 (Optional)	75W71 (Optional)	5

<sup>1</sup> Length does not include termination (or elbow if used).

## STRAIGHT VENT PIPE - FOR HORIZONTAL VENTING

Unit Heater	Vent Diameter (in.)	Length (in.)	Catalog No.
LF25-030A, LF25-045A	4	6	75W77
LF25-060A, LF25-075A	4	12	75W78
LF25-090A, LF25-105A	4	36	75W79

## VENT ADAPTOR

Unit Heater	Vent Diameter (in.)	Catalog No.
LF25-030A, LF25-045A LF25-060A, LF25-075A LF25-090A, LF25-105A	4	20S11

## VENT ADAPTOR KITS (For Retrofit Applications)

Unit Heater	Description	Catalog No.
LF25-045A	Combustion Air Inducer Mounting Plate Kit (required for 4 inch to 3 inch vent pipe applications)	19U97
LF25-030A	Vent Adaptor Kit (Upslope) - 4 inch unit flue pipe to 3 inch Category III vent pipe	19V95
LF25-045A	Vent Adaptor Kit (Downslope) - 4 inch unit flue pipe to 3 inch Category III vent pipe	19V96

## INSTALLATION CLEARANCES

	in.	mm
Top	1	25
Side opposite control box/access panel	1	25
Control Box/Access Panel Side	24	610
Back	18	457
Bottom	1	1
<sup>1</sup> Flue	6	152

See Installation Instructions for further installation considerations.

<sup>1</sup> Single-Wall vent clearance. Type B Double-Wall vent clearance is in accordance with the manufacturer's listing.

## MAXIMUM MOUNTING HEIGHT

LF25-030-045-060-075	10 ft.	3 m
LF25-090-105	12 ft.	3.7 m

## MAXIMUM VENT CONNECTOR LENGTHS

No. of Elbows	Maximum Length (feet) of Straight Vent Pipe
1	25
2	20
3	15
4	10
5	5

NOTES - Minimum horizontal vent length is 5 ft.

Horizontal venting requires the use of a Allied-approved Cat III Horizontal Vent Kit and Vent Pipe.

Horizontal venting must terminate in a tee.

Maximum total length of vent pipe must not exceed 30 ft.

One elbow is equivalent to 5 ft. of vent pipe.

**Residential Vertical Venting** - Units are approved for installation with single wall vent pipe or Type B double wall vent pipe.

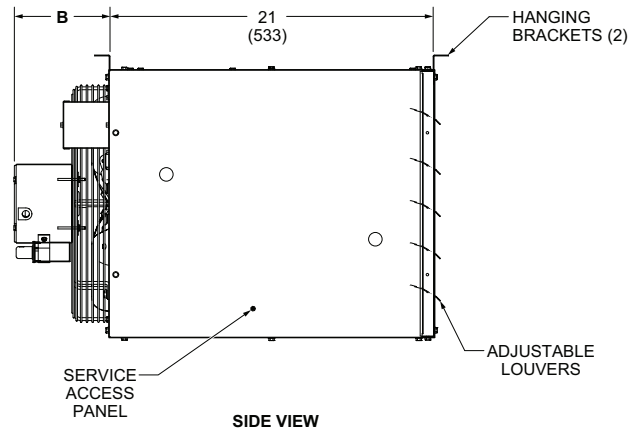
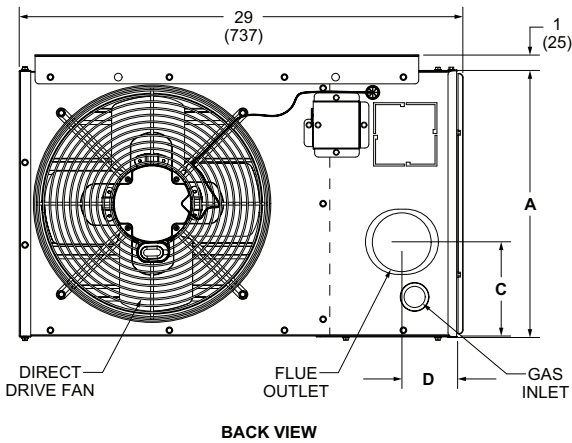
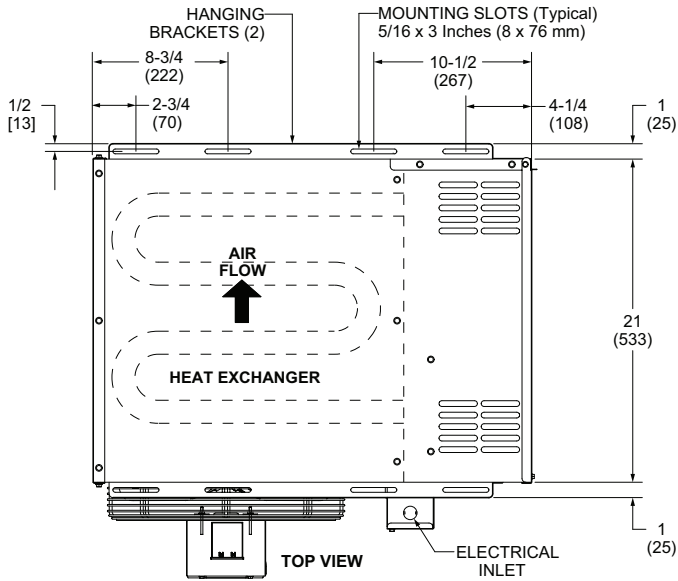
**Residential Horizontal Venting** - Units are approved for residential installation only with Allied-approved stainless steel vent kits.

**Commercial Vertical Venting** - Units are approved for installation with single wall vent pipe only.

**Commercial Horizontal Venting** - Units are approved for single-wall vent pipe or optional Allied-approved, UL listed, Cat III stainless steel vent kits.

Minimum clearance to combustible material is 6 in. with single wall vent pipe.

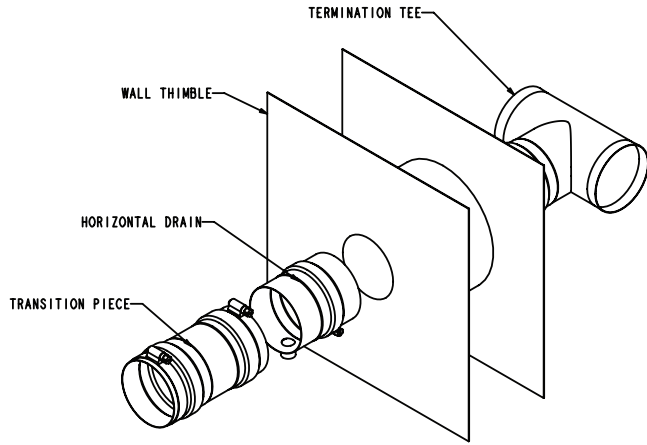
# DIMENSIONS



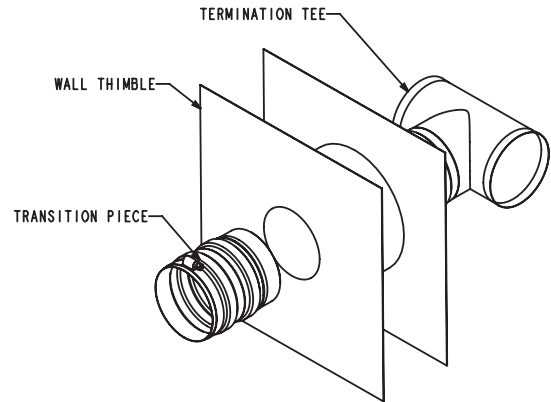
Model No.	A		B		C		D	
	in.	mm	in.	mm	in.	mm	in.	mm
LF25-030A LF25-045A	12-3/8	314	6-1/2	165	4	102	6	152
LF25-060A LF25-075A	17-1/2	445	6-1/4	159	6-1/8	156	3-5/8	92
LF25-090A LF25-105A	23	584	7-7/8	200	9-1/8	232	3-5/8	92

# VENT KITS AND ACCESSORIES

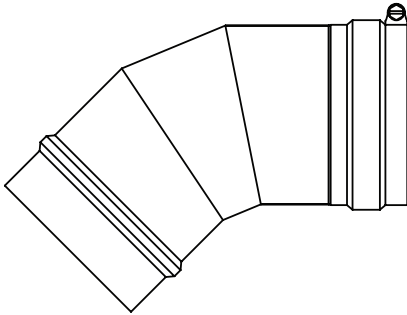
HORIZONTAL VENT KITS (UPSLOPE)



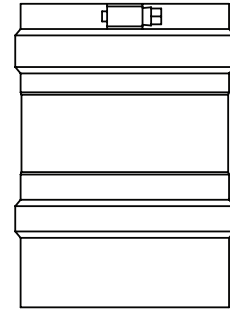
HORIZONTAL VENT KITS (DOWNSLOPE)



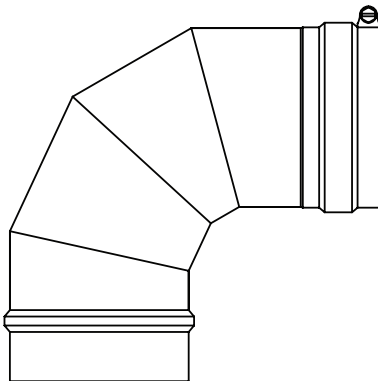
45° ELBOW (Typical)



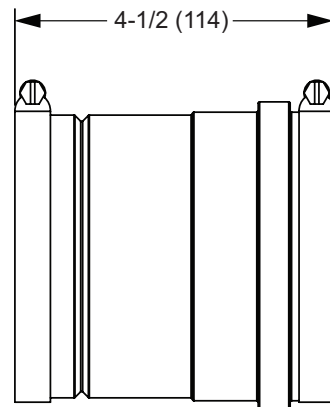
STRAIGHT PIPE (Typical)



90° ELBOW (Typical)



VENT ADAPTOR













## REVISIONS

Sections	Description of Change
Optional Accessories	Added Vent Adaptor.



Visit us at [www.allied-commercial.com](http://www.allied-commercial.com)

For the latest technical information, visit us at [www.allied-commercial.com](http://www.allied-commercial.com)

Contact us at 1-800-448-5872

NOTE - Due to Allied Commercial ongoing commitment to quality, Specifications, Ratings and Dimensions subject to change without notice and without incurring liability. Improper installation, adjustment, alteration, service or maintenance can cause property damage or personal injury. Installation and service must be performed by a qualified installer and servicing agency.