

Liebert VS

Parts Manual



While every precaution has been taken to ensure accuracy and completeness in this manual, Vertiv Co. assumes no responsibility, and disclaims all liability for damages resulting from use of this information or for any errors or omissions.

© 2016 Vertiv Co. All rights reserved throughout the world. Specifications subject to change without notice.

® Vertiv and the Vertiv logo are the registered trademarks of the Vertiv Co..

Table of Contents

1. Product Description	4
2. Model Number Definition	5
3. Blower/Motor Section	6
3.1. Motor Option VDS 8T-12T.....	6
3.2. Blower Option VDS 15T-22T	7
3.3. Blower Option VDS 30T	7
3.4. Motor Options Standard	8
3.5. VFD Motor Option.....	9
4. Coil Section	10
4.1. 8-12 Tons	10
4.2. 15-22 Tons.....	11
4.3. 30 Tons	11
5. Compressor Section	12
5.1. 4-Step Compressor.....	12
5.2. Scroll Compressor	14
5.3. Crankcase Heaters	18
6. Electrical Section	19
6.1. Display	19
6.2. Sensors.....	20
6.3. Remote Sensors.....	21
6.4. Controls	22
6.5. Backpanel	22
6.6. Compressor	24
6.7. Humidifier IR	26
6.8. Motor.....	27
6.9. Pump.....	29
6.10. Reheat.....	30
6.11. Disconnect	32
6.11.1. Single Disconnect.....	32
6.11.2. Single Disconnect 600V.....	33
6.11.3. Disconnect Options.....	34
7. Exterior Section	35
7.1. Front Return 028-042 (8-12T)	35
7.2. Front Return 053-077 (15-22T).....	36
7.3. Front Return 105 (30T)	37
7.4. Rear Return 028-042 (8-12T)	38
7.5. Rear Return 053-077 (15-22T)	39
7.6. Rear Return 105 (30T).....	40
8. Filter Section	41
8.1. 028-042 (8-12T)	41
8.2. 053-077 (15-22T)	42
8.3. 105 (30T).....	43
9. Humidifier Section	44
9.1. No Hum No Pump.....	44
9.2. No Hum with Pump.....	45
9.3. Hum IR without Pump.....	46
9.3.1. 8T-12T	46
9.3.2. 15-30T	47
9.3.3. Humidifier 3-Bulb	48
9.4. Hum IR with Pump	49
9.4.1. 8T-12T	49
9.4.2. 15T-22T.....	50
9.4.3. 3-Bulb Assembly	51
9.4.4. 6-Bulb Assembly	52

10. Miscellaneous Section	53
10.1. Smoke Detector	53
10.2. Low Voltage Terminal.....	54
10.3. Reheat/Humidifier Lockout	55
10.4. High Temperature Sensor.....	56
10.5. Compressor Overload Alarm	56
10.6. Analog Input Wires.....	57
11. Piping Section	58
11.1. Piping Assembly	58
11.2. Scroll Air 8-12T.....	59
11.3. Scroll Air 15-22T	60
11.4. Scroll AWG 30T.....	61
11.5. Scroll WG 8-12T.....	62
11.6. Scroll W/G 15-22T.....	63
11.7. Semi 8-12T	64
11.8. Semi 15-22T.....	65
11.9. Semi Air 15-22T.....	66
11.10. Piping Semi AWG 30T	67
11.11. Semi W/G 15-22T	68
11.12. Piping Line Assemblies	69
11.12.1. Suction Assembly 1	69
11.12.2. Suction Assembly 2	69
11.12.3. Suction Scroll Assemblies 1 & 2 (AWG)	69
11.12.4. Suction Scroll Assembly 1 (WG)	70
11.12.5. Suction Scroll Assembly 2 (WG)	70
11.12.6. Suction Assembly Semi 1	70
11.12.7. Suction Assembly Semi 2	71
11.12.8. Suction Assembly Semi Air 1	71
11.12.9. Suction Assembly Semi Air 2	71
11.12.10. Suction Assembly Semi AWG 1 and 2	72
11.12.11. Suction Assembly Semi WG 1 and 2	72
11.12.12. Discharge Scroll Air Assembly 1	73
11.12.13. Discharge Scroll Air Assembly 2	73
11.12.14. Discharge Scroll Assembly 1 and 2 (AWG)	74
11.12.15. Discharge Scroll Assembly 1 (WG).....	74
11.12.16. Discharge Scroll Assembly 2 (WG).....	75
11.12.17. Discharge Semi Assembly 1.....	75
11.12.18. Discharge Semi Assembly 2.....	76
11.12.19. Discharge Semi Air Assembly 1 and 2.....	76
11.12.20. Discharge Semi Air Assembly 1 and 2 (AWG).....	77
11.12.21. Discharge Semi Air Assembly 1 (WG).....	77
11.12.22. Discharge Semi Air Assembly 2 (WG).....	78
11.12.23. Liquid Assembly 1 and 2 (Air)	78
11.12.24. Liquid Assembly 1 and 2 (Air 15")	79
11.12.25. Liquid Assembly 1 and 2 (AWG)	79
11.12.26. Liquid Assembly 1 (WG)	80
11.12.27. Liquid Assembly 2 (WG)	80
12. Reheat Section	81
13. Parts Gallery.....	83
14. Revision Page.....	91

Product Description

Liebert DS is available in downflow and upflow models from 28-105 kW (8-30 ton) capacities, 60 Hz and 50 Hz.

Flexibility:

- Allows installation in upflow or downflow configuration, and in Air, Water, Glycol, GLYCOOL™ models.
- Provides a complete environmental control package, including both precision air conditioning and humidity control.
- Offers a choice of compressors, including Digital Scroll™, scroll and semi-hermetic four-step models.
- Provides flexible cooling capacity via variable capacity compressors.
- Requires only front access for service.
- Installs easily due to modular frame construction.
- Brings high-level supervision with Liebert iCOM controls, allowing networking of multiple mission-critical cooling units.

Higher Availability:

- Features reliable refrigeration components, including dual compressors, A-frame evaporator coils, all factories pre-piped, wired, and tested.
- Offers new Copeland Digital Scroll™ Compressors stepless variable capacity control for ultimate control and reliability.
- Provides redundancy with dual refrigeration circuits.

Lowest Total Cost of Ownership:

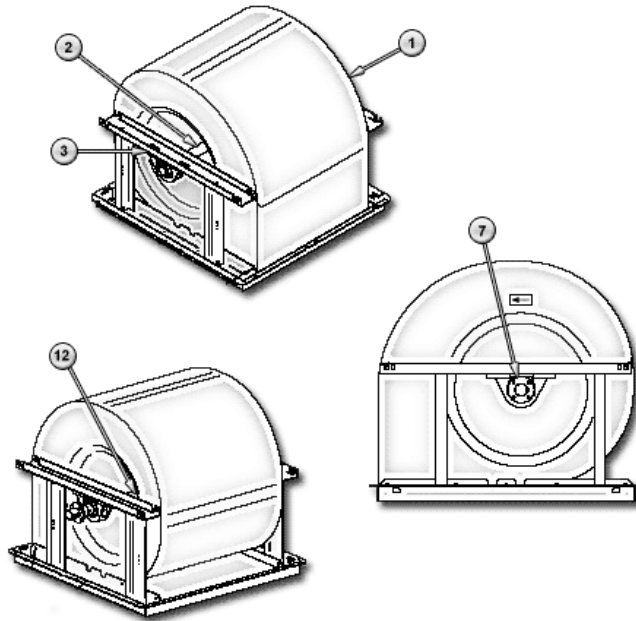
- Offers ultra energy efficient GLYCOOL and Dual Cool hybrid models.
- Exceeds the most stringent government efficiency requirements with NEMA premium efficiency motors.

Ideally Suited For:

- Data centers
- Telecommunications facilities
- Industrial process control centers
- Laboratories
- Other sensitive electronic applications

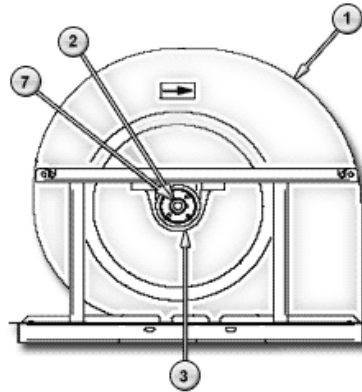
3. Blower/Motor Section

3.1. Motor Option VDS 8T-12T



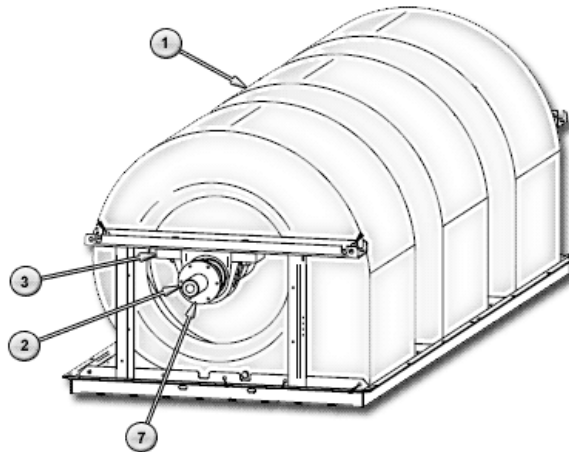
Item	Part Number	Description	Quantity
1	1C29077P2	BLOWER W/H A15-15AX1.19 KEY	1
	160021P1	BLOWER W/H A15-11AX1.19 KEY	1
2	180844P1	SHAFT 26.5 X 1.19 W/KEYWAY	1
3	194616P1	BEARING PILLOW BLK NPL 1-3/16	2
7	B-1160	BUSHING PULLEY H 1-3/16" DIA	1
	179161P2	BUSHING PULLEY B 1-3/16" DIA	1
12	B-0650	KEY STOCK 1/4X 1-5/16	2

3.2. Blower Option VDS 15T-22T



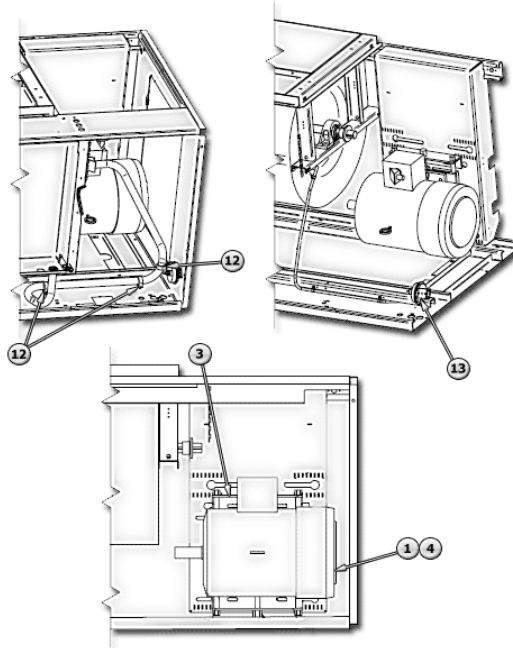
Item	Part Number	Description	Quantity
1	B-1170	BLOWER W/H A15-15AX2.25	2
	1C25524P2	BLOWER W/H A15-11AX3.00	2
2	180327P1	SHAFT TUBULAR FAN 1-3/16 82" DS	1
	180327P2	SHAFT TUBULAR FAN 1-7/16 82" DS	1
3	194617P1	BEARING PILLOW BLK MP 1-3/16	2
	194618P1	BEARING PILLOW BLK MP 1-7/16	2
7	B-1160	BUSHING PULLEY H 1-3/16"DIA	1
	136133P1	BUSHING PULLEY B 1-7/16"DIA	1

3.3. Blower Option VDS 30T



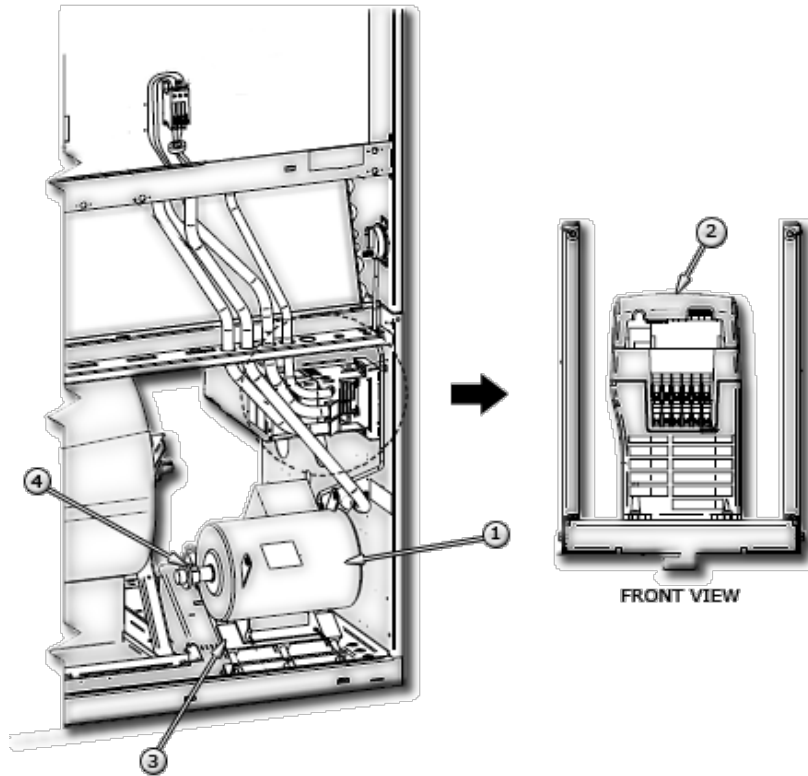
Item	Part Number	Description	Quantity
1	1C25524P2	BLOWER W/H A15-11AX3.00	3
2	183494P1	SHAFT TUBULAR FAN 1-1/2 105"DS	1
3	194619P1	BEARING PILLOW BLK MP 1-1/2	2
7	179161P5	BUSHING PULLEY B 1-1/2"	1

3.4. Motor Options Standard



Item	Part Number	Description	HP	028	035	042	053	070	077	105
1	132868P3	MOTOR 2.0HP 190/416-3-50 TEFC	-	1	1	1				
	132868P5	MOTOR 5.0HP 190/416-3-50 TEFC	-	1	1	1	1	1	1	
	132868P4	MOTOR 3.0HP 190/416-3-50 TEFC	-	1	1	1	1	1	1	
	140829P1	MOTOR 3.0HP 200-3-60 TEFCPREM	-	1	1	1	1	1	1	
	155671P1	MOTOR 10.0HP 380/3/60	-				1	1	1	1
	160285P1	MOTOR 10.0HP 575-3-60 PE	-				1	1	1	1
	160632P1	MOTOR 2.0HP 208-3-60 PE	-	1	1	1				
	160633P1	MOTOR 2.0HP 230/460-3-60 PE	-	1	1	1				
	160634P1	MOTOR 2.0HP 575-3-60 PE	-	1	1	1				
	160635P1	MOTOR 3.0HP 575-3-60 PE	-	1	1	1	1	1	1	
	160636P1	MOTOR 5.0HP 575-3-60 PE	-	1	1	1	1	1	1	
	181595P1	MOTOR 3HP 230/460	-	1	1	1	1	1	1	
	181595P2	MOTOR 3HP 208	-	1	1	1	1	1	1	
	187115P1	MOTOR 5.0 HP TEFC 380-3-60	-	1	1	1	1	1	1	
	1A22346P1	MOTOR 2.0HP 575-3-60 TEFC	-	1	1	1				
	1A22735P1	MOTOR 10.0HP 230/460-3-60 PE	-				1	1	1	1
	1A22735P2	MOTOR 10.0HP 208-3-60 PE	-				1	1	1	1
	1A23987P1	MOTOR 5.0HP 575-3-60 TEFC	-	1	1	1	1	1	1	
	1C30169P1	MOTOR 5.0HP 230/460-3-60 PE	-	1	1	1	1	1	1	
	1C30169P2	MOTOR 5.0HP 208-3-60 PE	-	1	1	1	1	1	1	
	1C32856P1	MOTOR 2.0HP 380-3-60 TEFC	-	1	1	1				
	1C32857P1	MOTOR 3.0HP 380-3-60 TEFC	-	1	1	1	1	1	1	
	306512P1	MOTOR 3HP 190/416-3-50	-	1	1	1	1	1	1	
	306513P1	MOTOR 3HP 380-3-60	-	1	1	1	1	1	1	
	B02-0110	MOTOR 10HP 200-380/415-50	-				1	1	1	1
	B-0920	MOTOR 2.0HP 200/380/400-3-50	-	1	1	1				
	B-0930	MOTOR 3HP190/416-3-50 380-3-60	-	1	1	1	1	1	1	
	B-0940	MOTOR 5.0HP 200/380/400-3-50	-	1	1	1	1	1	1	
	B-1930	MOTOR 2HP 208-230/460-3-60TEFC	-	1	1	1				
	B-1960	MOTOR 3.0HP 230/460-3-60 TEFC	-	1	1	1	1	1	1	
B-1970	MOTOR 3.0HP 575-3-60 TEFC	-	1	1	1	1	1	1		
B-1980	MOTOR 5.0HP 200-3-60 TEFC	-	1	1	1	1	1	1		
B-1990	MOTOR 5.0HP 230/460-3-60 TEFC	-	1	1	1	1	1	1		
3	194573P1	MOTOR BASE AUTO 143-145 DS	2	1	1	1	1	1	1	1
	194574P1	MOTOR BASE AUTO 182-184 DS	3, 5	1	1	1	1	1	1	1
4	1A32397P2	BUSHING PULLEY H 7/8"	2	1	1	1				
	1A32397P3	BUSHING PULLEY H 1-1/8"	3, 5	1	1	1	1	1	1	
12	S13-0140	CLAMP INSUL MTL HVY DTY 1-1/8"	All	3	3	3	2	2	2	
13	B02-0190	SW AIRFLO SENSING	All	1	1	1	1	1	1	1

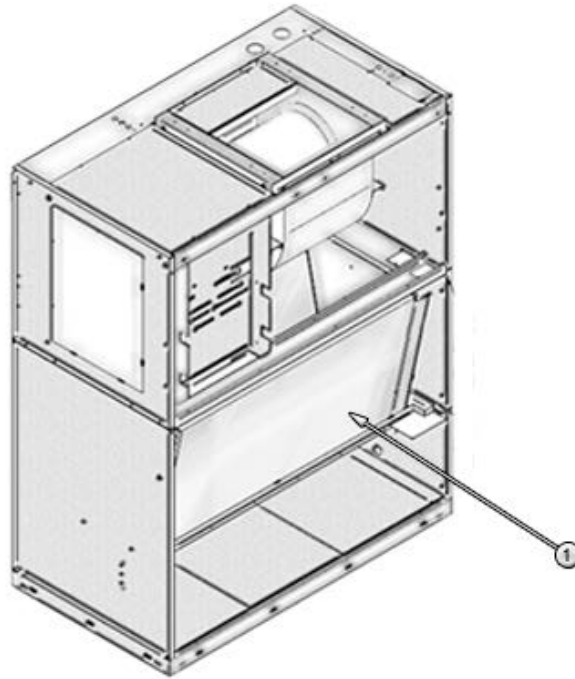
3.5. VFD Motor Option



Item	Part Number	Description	028	035	042	053	070	077	105
1	140834P2	MOTOR 7.5HP 236/466 PREM ODP	1	1	1	1	1	1	
	140834P3	MOTOR 5.0HP 236/466 PREM ODP	1	1	1	1	1	1	
	140834P4	MOTOR 3HP 236/466 PE ODP TOSH	1	1	1	1	1	1	
	163925P1	MOTOR 10HP 230/460-60 INVD				1	1	1	
	187098P1	MOTOR 5HP 380/415/3/50 PE ODP	1	1	1	1	1	1	
	193367P1	MOTOR 7.5HP 200/380/415-50INVD	1	1	1	1	1	1	
	193507P1	MOTOR 3HP 208-3-60 PE ODP INVD	1	1	1	1	1	1	
	197796P1	MOTOR 7.5HP 208/3/60 INVD ODP	1	1	1	1	1	1	
	198799P1	MOTOR 5.0HP 208/3/60 ODP INVD	1	1	1	1	1	1	
	198837P1	MOTOR 3HP 380-3-60 INVD	1	1	1	1	1	1	
	198837P2	MOTOR 5HP 380-3-60 INVD	1	1	1	1	1	1	
	198837P3	MOTOR 7.5HP 380-3-60 INVD	1	1	1	1	1	1	
	198837P4	MOTOR 10HP 380-3-60 INVD				1	1	1	
2	Contact a Liebert representative for the correct programmed drive.								
3	194574P1	MOTOR BASE AUTO 182-184 DS (3, 5HP)	1	1	1	1	1	1	
	194575P1	MOTOR BASE AUTO 213-215 DS (7.5, 10HP)	1	1	1	1	1	1	
4	179161P4	BUSHING PULLEY B 1-3/8" (10HP)				1	1	1	
	1A32397P3	BUSHING PULLEY H 1-1/8" (3, 5HP)	1	1	1	1	1	1	
	1A32397P4	BUSHING PULLEY H 1-3/8" (7.5HP)	1	1	1	1	1	1	

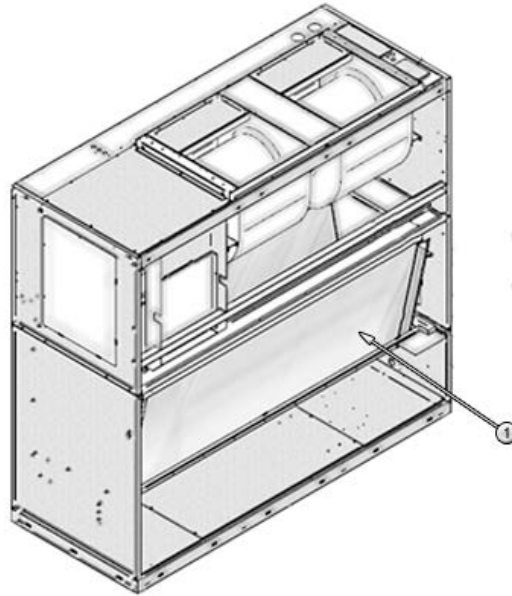
4. Coil Section

4.1. 8-12 Tons



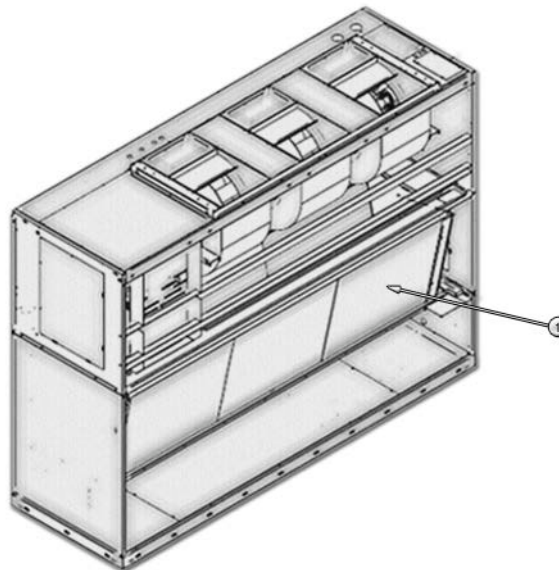
Item	Part Number	Description	028	035	042
1	191305G1	COIL ASSY EC 8-12T U DS	1	1	1
	191305G1EFC	COIL ASSY EC 8-12T U DS E-CMP	1	1	1
	191305G2	COIL ASSY DX 8-12T U DS	1	1	1
	191305G2EFC	COIL ASSY DX 8-12T U DS ECMP	1	1	1
	191358G1	COIL ASSY CUNI EC 8-12T DS UF	1	1	1

4.2. 15-22 Tons



Item	Part Number	Description	053	070	077
1	190556G2	COIL ASSY DX 15-22T UF DS	1	1	1
	190556G2EFC	COIL ASSY DX 15-22T UF DS ECMP	1	1	1
	190695G1	COIL ASSY EC 15-22T UF DS 9CKT	1	1	1
	190695G1EFC	COIL ASSY EC 15-22T UF DS ECMP	1	1	1
	190698G1	COIL ASY CUNI EC 15-22T UF DS	1	1	1

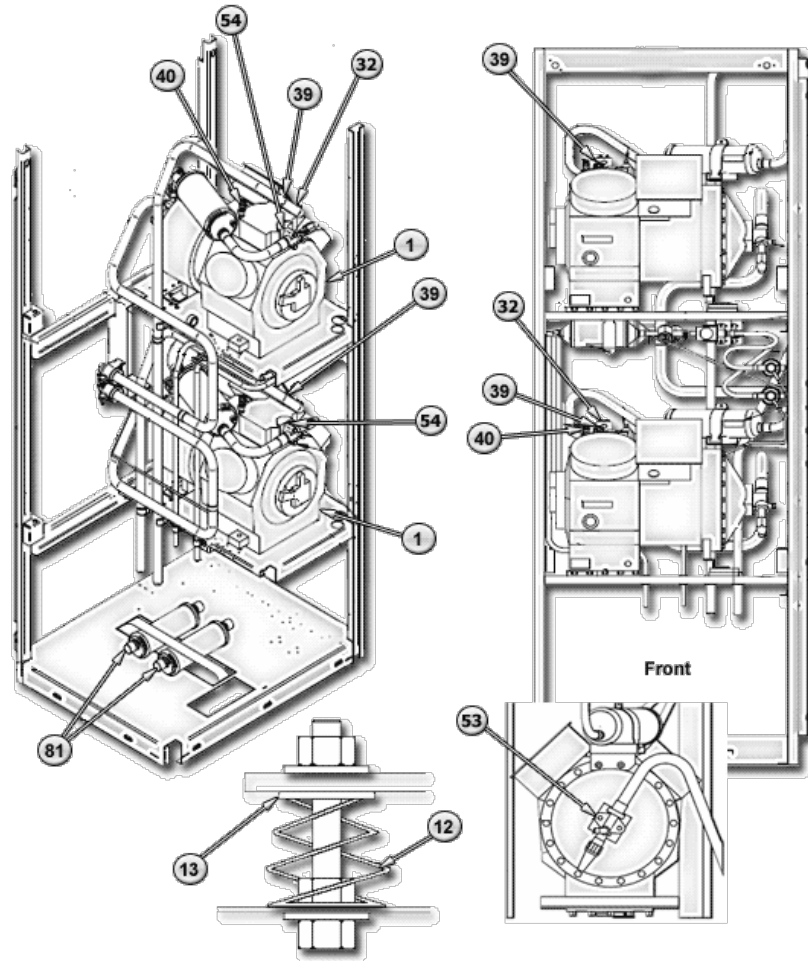
4.3. 30 Tons



Item	Part Number	Description	105
1	190657G1	COIL ASSY 30T EC UF DS	1
	190657G1EFC	COIL ASSY 30T EC UF DS ECMP	1
	190657G2	COIL ASSY 30T DX UF DS	1
	190657G2EFC	COIL ASSY 30T DX UF DS ECMP	1
	190932G1	COIL ASSY 30T EC UF DS CUNI	1
	197230G1	COIL ASSY 30T EC UF DS	1
	197230G1EFC	COIL ASSY 30T EC UF DS ECMP	1
	197285G1	COIL ASSY 30T EC UF DS CUNI	1

5. Compressor Section

5.1. 4-Step Compressor

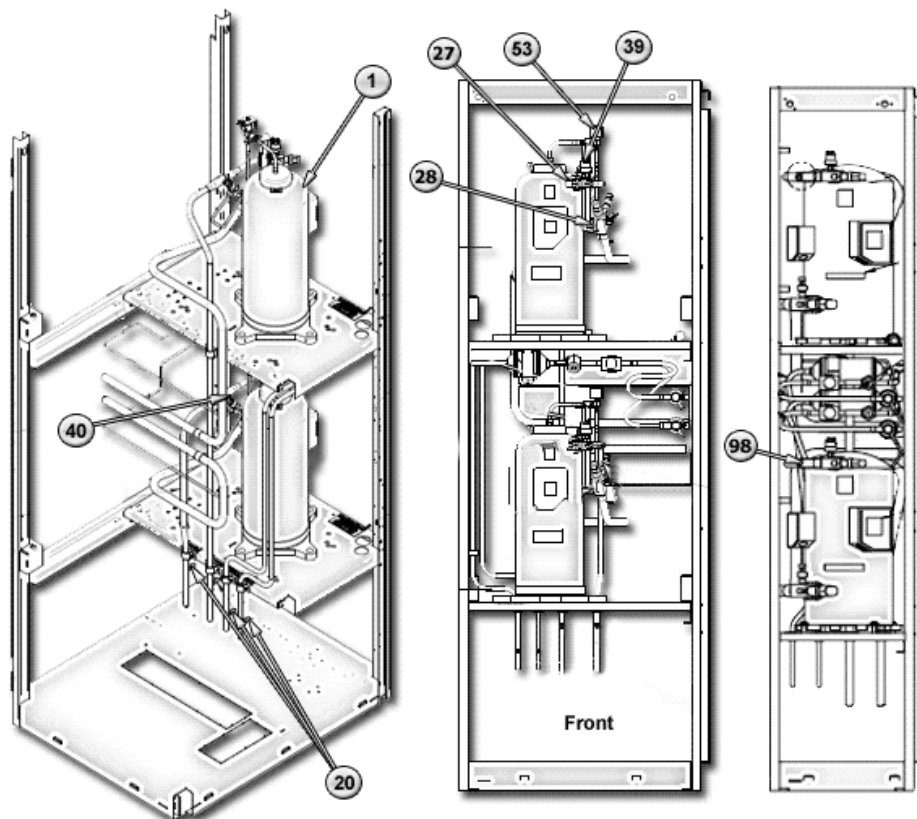


Item	Part Number	Description	Type	028	035	042	053	070	077	105	
1	131120P1	COMP S/H MINOIL 06DF8162AA3200	R22			2					
	131120P2	COMP S/H MINOIL 06DF8162AA3600				2					
	131120P3	COMP S/H MINOIL 06DF8162AA3100				2					
	131120P5	COMP S/H MINOIL 06DF8162AA1300				2					
	175024P1	COMP S/H MINOIL 06DF8252BA3200						2			
	175024P2	COMP S/H MINOIL 06DF8252BA3600						2			
	175024P3	COMP S/H MINOIL 06DF8252BA3100						2			
	175024P5	COMP S/H MINOIL 06DF8252BA1300						2			
	1C18809P1	COMP S/H MINOIL 06DF3132AA3200			2						
	1C18809P2	COMP S/H MINOIL 06DF3132AA3600				2					
	1C18809P3	COMP S/H MINOIL 06DF3132AA3100			2						
	1C18809P5	COMP S/H MINOIL 06DF3132AA1300			2						
	1C18810P1	COMP S/H MINOIL 06DF8182AA3200						2			

Item	Part Number	Description	Type	028	035	042	053	070	077	105	
1	1C18810P2	COMP S/H MINOIL 06DF8182AA3600	R22				2				
	1C18810P3	COMP S/H MINOIL 06DF8182AA3100					2				
	1C18810P5	COMP S/H MINOIL 06DF8182AA1300					2				
	1C18812P1	COMP S/H MINOIL 06DF3282BA3200							2		
	1C18812P2	COMP S/H MINOIL 06DF3282BA3600							2		
	1C18812P3	COMP S/H MINOIL 06DF3282BA3100							2		
	1C18812P5	COMP S/H MINOIL 06DF3282BA1300							2		
	125680P1	COMP S/H MINOIL 06DF5372BA1200									2
	125680P2	COMP S/H MINOIL 06DF5372BA0600									2
	125680P3	COMP S/H MINOIL 06DF5372BA0100									2
	125680P5	COMP S/H MINOIL 06DF5372BA1300									2
	181524P1	COMP S/H POEOIL 06DF3132AA3260		R407C	2	2					
	181526P1	COMP S/H POEOIL 06DF8182AA3260					2				
	181526P2	COMP S/H POEOIL 06DF8182AA3660					2				
	181526P3	COMP S/H POEOIL 06DF8182AA3160					2				
	181526P5	COMP S/H POEOIL 06DF8182AA1360					2				
	181527P1	COMP S/H POEOIL 06DF8252BA3260						2			
	181527P2	COMP S/H POEOIL 06DF8252BA3660						2			
	181527P3	COMP S/H POEOIL 06DF8252BA3160						2			
	181527P5	COMP S/H POEOIL 06DF8252BA1360						2			
	181528P1	COMP S/H POEOIL 06DF3282BA3260								2	
	181528P2	COMP S/H POEOIL 06DF3282BA3660								2	
	181528P3	COMP S/H POEOIL 06DF3282BA3160								2	
	181528P5	COMP S/H POEOIL 06DF3282BA1360								2	
	181529P1	COMP S/H POEOIL 06DF5372BA1260									2
	181529P2	COMP S/H POEOIL 06DF5372BA0660									2
	181529P3	COMP S/H POEOIL 06DF5372BA0160									2
	181529P5	COMP S/H POEOIL 06DF5372BA1360									2
	186444P6	COMP S/H POEOIL 06DF5412BA0960									2

Item	Part Number	Description	028	035	042	053	070	077	105
12/13	C-0780	KIT COMP MTG SPRING CP 7.5T	8	8	8	8	8	8	8
	C-0860	SPRING RETAINER MTG							8
32	178545P1	COIL 24V SPADE CONNECTOR	2	2	2	2	2	2	2
39	180970P1	PRESS SW HP SPDTAR C/OUT 400PS	2	2	2	2	2	2	2
	194252P1	SW PRES HI 400 PSI							2
40	181388P1	TRANSDUCER 0-150 PSIA 0.5-4.5V	2	2	2	2	2	2	2
53	C-088A	GASKET VALVE COMP SERVICE	2	2	2	2	2	2	
	C-089A	GASKET VALVE COMP SERVICE					2	2	2
54	C-087A	GASKET VALVE COMP SERVICE	2	2	2	2	2	2	
	C-088A	GASKET VALVE COMP SERVICE							2
81	123575P3	MUFFLER DISCHARGE 1-1/8"OD HI					2	2	2

5.2. Scroll Compressor



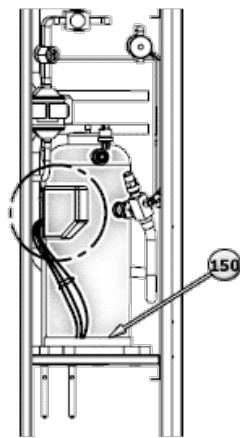
Item	Part Number	Description	Type	028	035	042	053	070	077	105
1	178013P1	COMP SCDG ZRD61KCE-TF5 W/ROTA	Digital	2	2					
	178013P2	COMP SCDG ZRD61KCE-TFD W/ROTA		2	2					
	178013P3	COMP SCDG ZRD61KCE-TFE W/ROTA			2					
	178013P5	COMP SCDG ZRD61KCE-TF7 W/ROTA			2					
	180406P1	COMP SCDG ZRD49KCE-TF5 W/ROTA		2						

Item	Part Number	Description	Type	028	035	042	053	070	077	105	
1	180406P2	COMP SCDG ZRD49KCE-TFD W/ ROTA	Digital	2							
	180406P5	COMP SCDG ZRD49KCE-TF7 W/ ROTA		2							
	180407P1	COMP SCDG ZRD72KCE-TF5 W/ROTA				2	2				
	180407P2	COMP SCDG ZRD72KCE-TFD W/ROTA				2	2				
	180407P5	COMP SCDG ZRD72KCE-TF7 W/ROTA					2				
	180478P2	COMP SCDG ZRD81KCE-TFD W/ ROTA					2				
	180652P1	COMP SCDG ZRD125KCE-TF5 W/ROTA						2	2		
	180652P2	COMP SCDG ZRD125KCE-TFD W/ROTA						2	2		
	180652P3	COMP SCDG ZRD125KCE-TFE W/ROTA							2		
	180652P5	COMP SCDG ZRD125KCE-TF7 W/ROTA							2		
	182023P1	COMP SCDG ZRD94KCE-TF5 W/ROTA						2			
	182023P2	COMP SCDG ZRD94KCE-TFD W/ROTA						2			
	182023P3	COMP SCDG ZRD94KCE-TFE W/ROTA						2			
	182023P5	COMP SCDG ZRD94KCE-TF7 W/ROTA						2			
	169260P1	COMP SCRL ZR61KCE-TF5 W/ROTO		Scroll	2	2					
	169260P2	COMP SCRL ZR61KCE-TFD W/ ROTA			2	2					
	169260P3	COMP SCRL ZR61KCE 575 W/ROTO			2						
	169260P5	COMP SCRL ZR61KCE-TF7 W/ ROTA			2						
	172139P1	COMP SCRL ZR72KCE-TF5 W/ ROTA				2	2				
	172139P2	COMP SCRL ZR72KCE-TFD W/ROTA				2	2				
	172139P3	COMP SCRL ZR72KCE-TFE W/ ROTA					2				

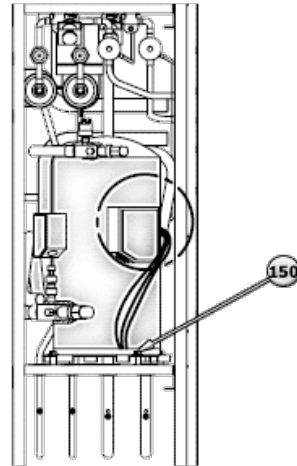
Item	Part Number	Description	Type	028	035	042	053	070	077	105		
1	172139P5	COMP SCRL ZR72KCE-TF7 W/ ROTA	Scroll			2						
	172143P1	COMP SCRL ZR94KCE-TF5 W/ ROTA					2					
	172143P2	COMP SCRL ZR94KCE-TFD W/ ROTA					2					
	172143P3	COMP SCRL ZR94KCE-TFE W/ ROTA					2					
	172143P5	COMP SCRL ZR94KCE-TF7 W/ ROTA					2					
	172145P1	COMP SCRL ZR125KCE-TF5 W/ ROTA					2	2				
	172145P2	COMP SCRL ZR125KCE-TFD W/ ROTA					2	2				
	172145P3	COMP SCRL ZR125KCE-TFE W/ ROTA						2				
	172145P5	COMP SCRL ZR125KCE-TF7 W/ ROTA						2				
	180408P1	COMP SCRL ZR49KCE-TF5 W/ ROTA			2							
	180408P2	COMP SCRL ZR49KCE-TFD W/ ROTA			2							
	180408P3	COMP SCRL ZR49KCE-TFE W/ ROTA			2							
	180408P5	COMP SCRL ZR49KCE-TF7 W/ ROTA			2							
	180479P1	COMP SCRL ZR81KCE-TF5 W/ ROTA					2					
	180479P2	COMP SCRL ZR81KCE-TFD W/ ROTA					2					
	182024P1	COMP SCRL ZR144KCE-TF5 W/ ROTA							2	2		
	182024P2	COMP SCRL ZR144KCE-TFD W/ ROTA							2	2		
	182024P3	COMP SCRL ZR144KCE-TFE W/ ROTA								2		
	182024P5	COMP SCRL ZR144KCE-TF7 W/ ROTA								2		
	189318P1	COMP SCRL ZR190KCE-TW5 W/ROTA										2
	189318P2	COMP SCRL ZR190KCE-TWD W/ ROTA										2
	189318P3	COMP SCRL ZR190KCE-TWE W/ ROTA										2
	189318P5	COMP SCRL ZR190KCE-TW7 W/ ROTA										2

Item	Part Number	Description	Type	028	035	042	053	070	077	105
20	P02-0290	VALVE CORE REFRIGERANT	NA	2	2	2	4	4	4	2
27	W-0320	SEAL ROTOLock 1"X14" TEFLON	NA	2	2	2				
28	W-0330	SEAL ROTOLock 1- 1/4"X12"TEFLON	NA	2	2	4				
	P05-383B	SEAL ROTOLock 1- 3/4"X12 TEFLON	NA				2	2	2	2
39	180970P1	PRESS SW HP SPDTAR C/OUT 400PS	NA	2	2	2	2	2	2	2
	194252P1	SW PRES HI 400 PSI	NA							2
40	181388P1	TRANSDUCER 0-150 PSIA 0.5-4.5V	NA	2	2	2	2	2	2	2
53	180715G1	VALVE SOLND D_SCRL 3/8MXM 24V	NA	1	1	1	1	1	1	1
98	183151P1	SENSOR THERMISTOR ZRD94//125	NA				2	2	2	

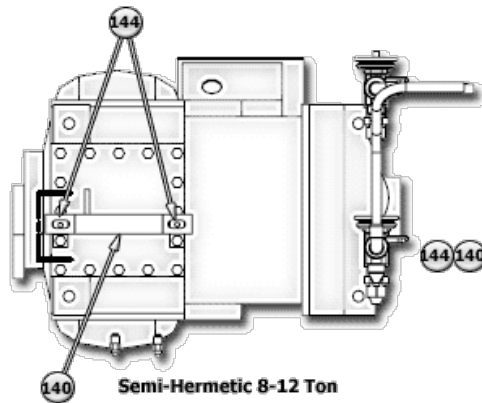
5.3. Crankcase Heaters



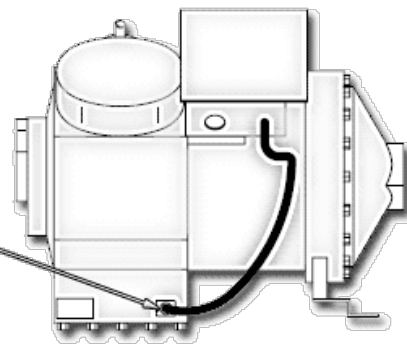
Scroll 8-12 Ton



Scroll 15-30 Ton



Semi-Hermetic 8-12 Ton



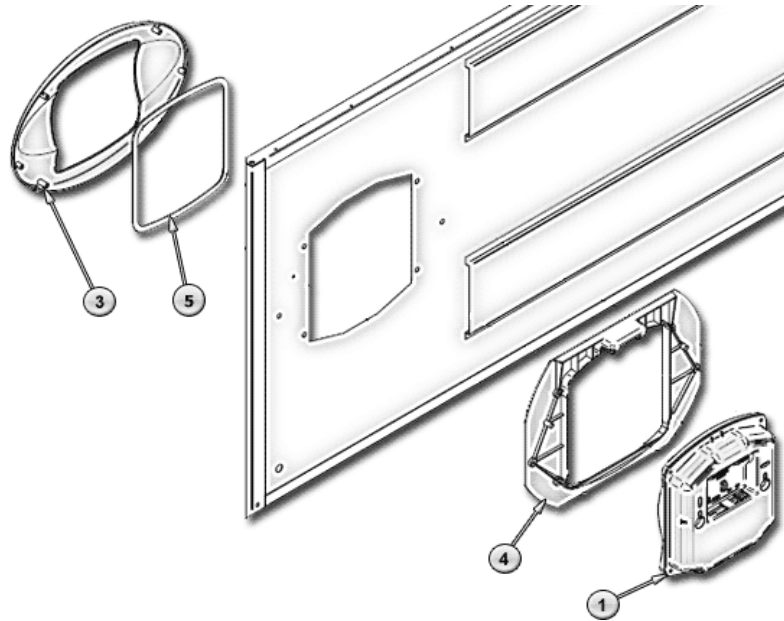
Semi-Hermetic 15-30 Ton

Item	Part Number	Description	028	035	042	053	070	077	105
140	C06-0010	CRANKCASE HEATER 240V 50W	2	2	2				
	C06-0020	CRANKCASE HEATER 440//480 50W	2	2	2				
	C06-0030	CRANKCASE HEATER 550V 50W	2	2	2				
144	C-1310	BRKT CCH CARLYLE 808&313	4	4	4				
150	172147P1	HEATER C/CASE 240V 90W SMT SCR				2	2	2	
	172147P2	HEATER C/CASE 480V 90W SMT SCR				2	2	2	
	172147P3	HEATER C/CASE 575V 90W SMT SCR				2	2	2	
	151112P1	HEATER C/CASE 240V 70W SCROLL							2
	151112P2	HEATER C/CASE 480V 70W SCROLL							2
	151112P3	HEATER C/CASE 575V 60W SCROLL							2

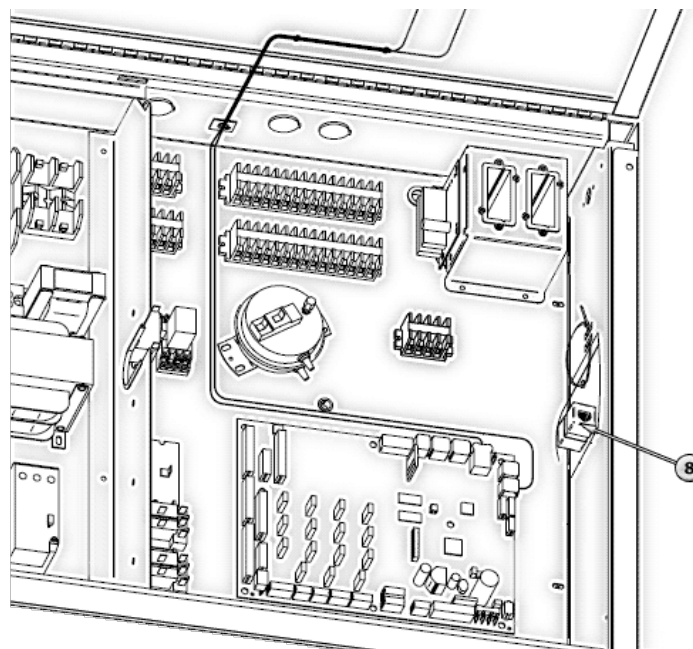
6. Electrical Section

6.1. Display

Large iCom

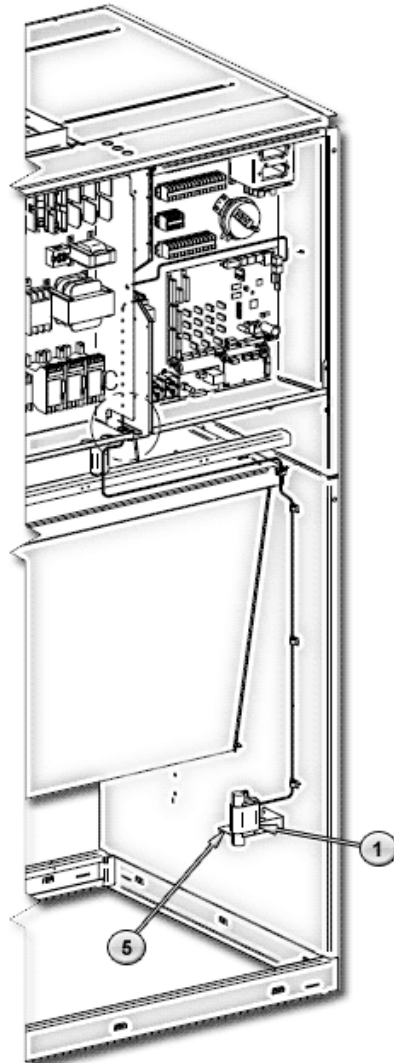


Small iCom



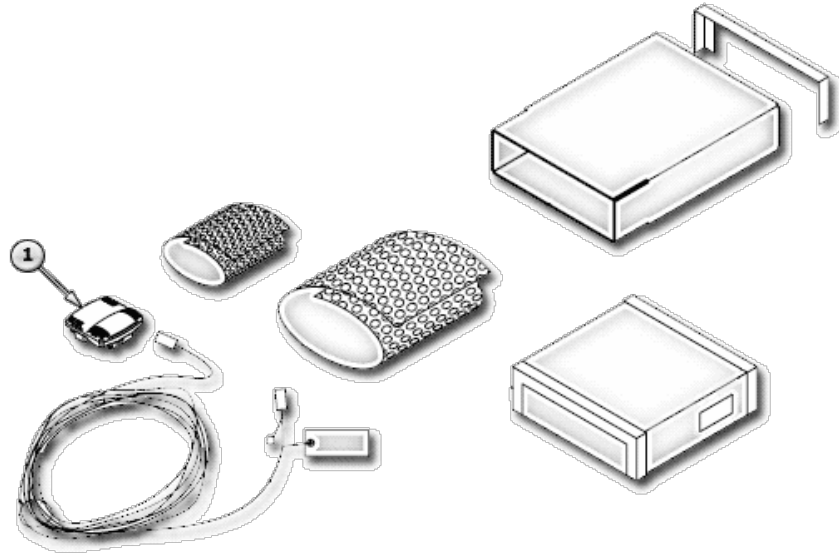
Item	Part Number	Description	028	035	042	053	070	077	105
1	180633G1	DISPLAY ASSY LRG SM GR ICOM	1	1	1	1	1	1	1
	180633G2	DISPLAY ASSY LRG LRG GR LED GL	1	1	1	1	1	1	1
3	179747P1	DISPLAY BEZEL GLOBAL	1	1	1	1	1	1	1
	179747P2	DISPLAY BEZEL NO LOGO	1	1	1	1	1	1	1
4	179751P1	DISPLAY CRADLE LARGE GLOBAL	1	1	1	1	1	1	1
5	180645P1	GASKET DISPLAY BEZEL ICOM	1	1	1	1	1	1	1
8	181898P1	COUPLER XOVER CAT5E RJ45 F/F	1	1	1	1	1	1	1

6.2. Sensors



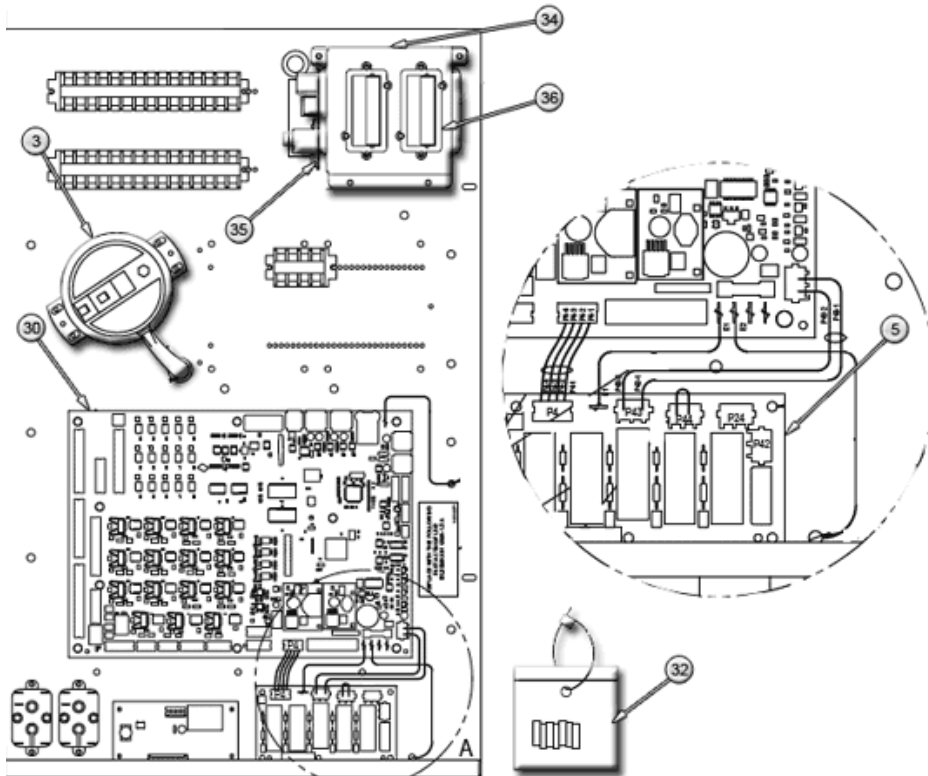
Item	Part Number	Description	028	035	042	053	070	077	105
1	181464G1	SENSOR T/H ASSY INTERNAL ICOM	1	1	1	1	1	1	1
5	183350P1	BRKT T/H AND HEAT SENSOR U DS	1	1	1	1	1	1	1

6.3. Remote Sensors



Item	Part Number	Description	028	035	042	053	070	077	105
1	181518G2	SENSOR T/H REMOTE 30FT DS	1	1	1	1	1	1	1
	181518G3	SENSOR T/H REMOTE 60FT DS	1	1	1	1	1	1	1
	181518G4	SENSOR T/H REMOTE 90FT DS	1	1	1	1	1	1	1
	181518G5	SENSOR T/H REMOTE 120FT DS	1	1	1	1	1	1	1
	181518G6	SENSOR T/H REMOTE 150FT DS	1	1	1	1	1	1	1

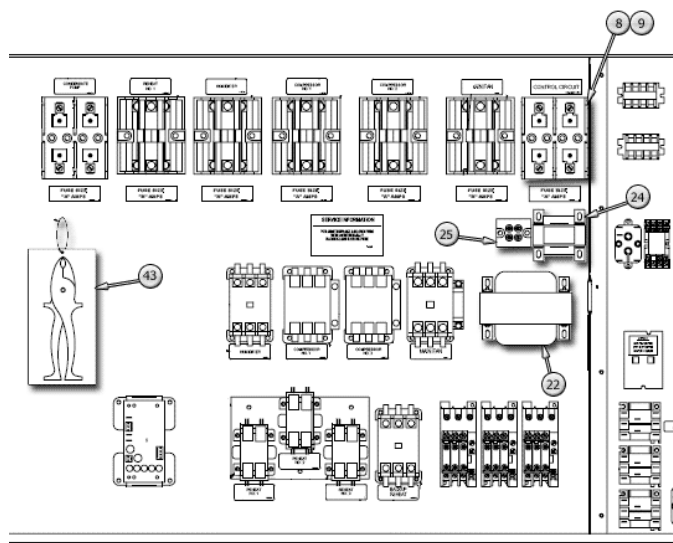
6.4. Controls



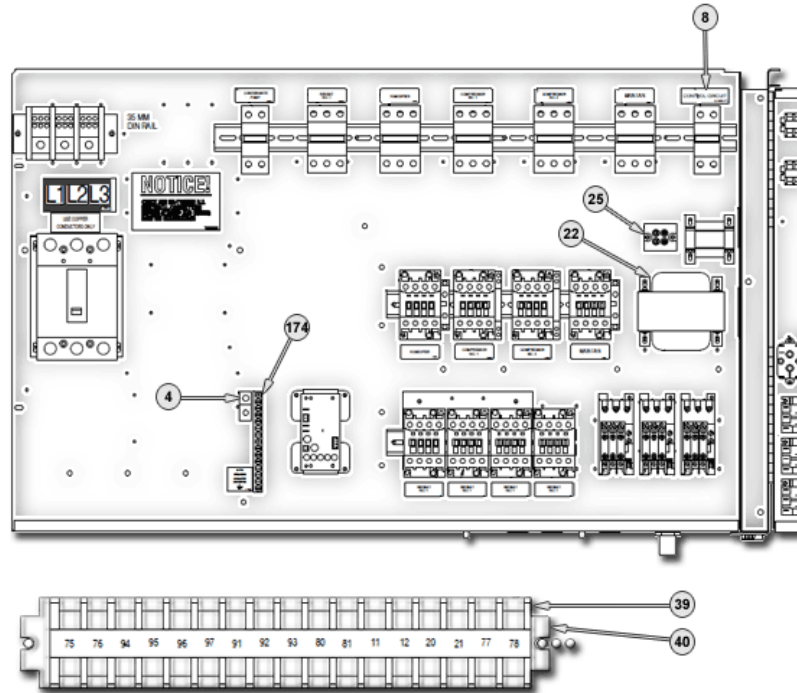
Item	Part Number	Description	028	035	042	053	070	077	105
3	128199P1	SW AIR DIFFERENTIAL 2PORTS	1	1	1	1	1	1	1
5	416891G1	PWA ENV GLOBAL FUSE BOARD	1	1	1	1	1	1	1
30	416761G1	PWA ENV ICOM CTRL LARGE	1	1	1	1	1	1	1
32	135637P6	FUSE KIT QTY 6-6A/2-3A NON-TD	1	1	1	1	1	1	1
34	180294P1	BRKT MTG INTELLISLOT DS	1	1	1	1	1	1	1
35	416911G2	PWA INTELLISLOT PWR SPLY DC IN	1	1	1	1	1	1	1
36	200509P1	ENCLOSURE INTELLISLOT 34 PIN	1	1	1	1	1	1	1

6.5. Backpanel

Fused



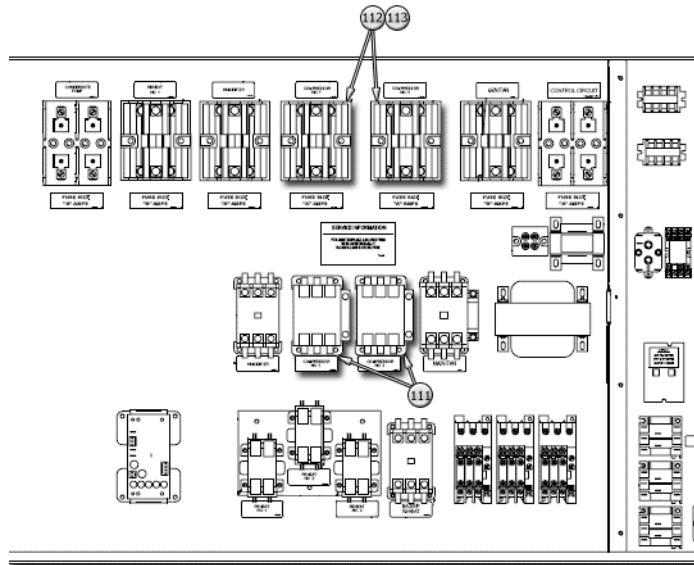
Circuit Breaker



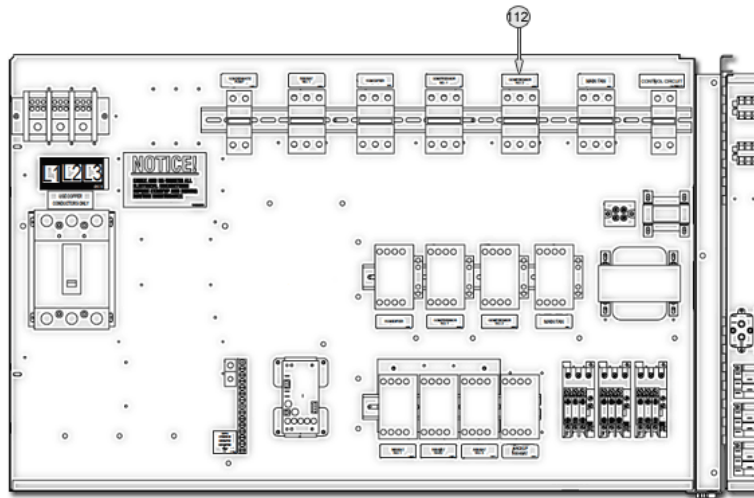
Item	Part Number	Description	028	035	042	053	070	077	105
4	E-362B	TERM LUG MECH #14-2/0 1/4"	1	1	1	1	1	1	1
8	136810P1	FUSEBLOCK BUSS J 600V 30A 2P	1	1	1	1	1	1	1
	195936P2	FUSEBLOCK 2P 250V 30A CLASS R	1	1	1	1	1	1	1
	E-6040	FUSEBLOCK 250V 2P 030A	1	1	1	1	1	1	1
	136240P5	CB MCB 2P 240/415V 3A K CURVE	1	1	1	1	1	1	1
9	136821P2	FUSE DUAL ELMNT "J" 600V 1.25A	2	2	2	2	2	2	2
	180838P3	FUSE DUAL ELMNT"RK1"250V 2.8A	2	2	2	2	2	2	2
22	136202P1	XFMR 300VA 460-615/2460	1	1	1	1	1	1	1
	136203P2	XFMR 400VA 380-415/2450	1	1	1	1	1	1	1
	136203P3	XFMR 400VA 460-615/24V60				1	1	1	1
	182122P1	XFMR 500VA 200-240/24V	1	1	1	1	1	1	1
	182122P2	XFMR 500VA 380-415/24V	1	1	1	1	1	1	1
24	180792P1	TRANSFORMER ISOLATION	1	1	1	1	1	1	1
25	136205P1	PWRBLK 2PL 600V 65A TCHPRF	1	1	1	1	1	1	1
39	132487P1	TERMLSTRIP SECTION 1 POS	2	2	2	2	2	2	2
40	132487P2	TERMLSTRIP SECTION END BARRIER	1	1	1	1	1	1	1
43	136820P1	FUSE PULLER BUSS J TYPE #FP-2	1	1	1	1	1	1	1
174	E-3620	GROUND LUG STRIP 13POS SCRTRM	1	1	1	1	1	1	1

6.6. Compressor

Fused



Circuit Breaker

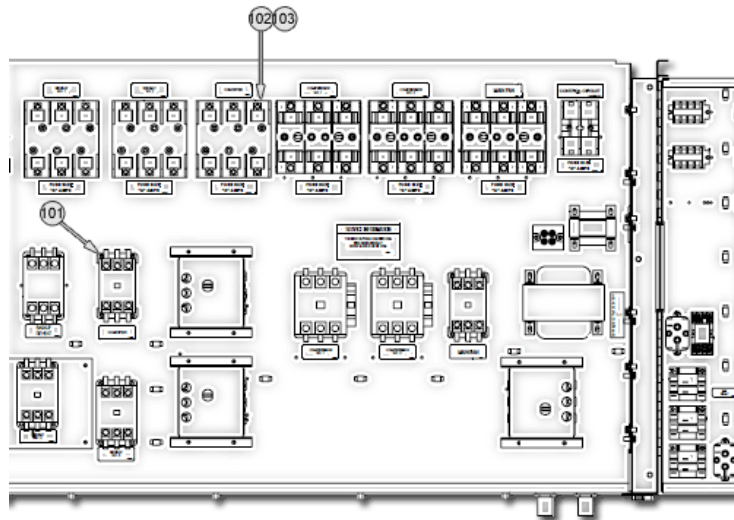


Item	Part Number	Description	028	035	042	053	070	077	105
111	123273P1	CONTACTOR 3PL 25/30 NO/NC AUX	2	2	2	2	2		
	123280P1	CONTACTOR 3PL 30/40 NO/NC AUX					2	2	
	123281P1	CONTACTOR 3PL 40/50 NO/NC AUX			2	2		2	2
	123282P1	CONTACTOR 3PL 50/63 NO/NC AUX					2		
	123283P1	CONTACTOR 3PL 65/75 NO/NC AUX						2	
	136232P1	CONTACTOR 3P23IND32RES24/50AUX	2	2	2	2			
	136233P1	CONTACTOR 3P30IND40RES24/50 AUX	2				2		
	136234P1	CONTACTOR 3P40IND55RES24 AUX/td>		2	2				
	136235P1	CONTACTOR 3P60IND75RES24 AUX				2	2		
	123285P1	CONTACTOR 3PL 75/93 NO/NC AUX							2

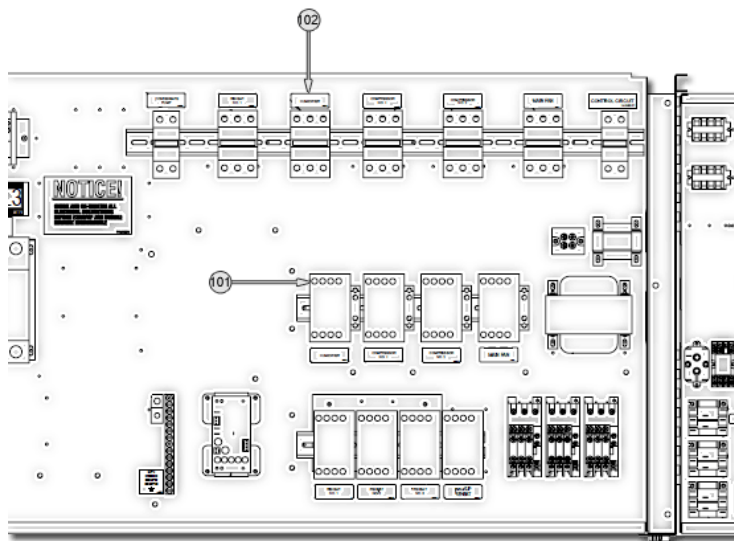
Item	Part Number	Description	028	035	042	053	070	077	105
112	136241P10	FUSEBLOCK BUSS JP600V 30A 3P	2	2	2	2	2		
	181212P1	FUSEBLOCK J 600V 60A 3P					2	2	2
	E-1020	FUSEBLOCK 250V 3P 030A	2						
	E-1040	FUSEBLOCK 250V 3P 060A		2	2	2	2		
	E-1041	FUSEBLOCK 250V 3P 100A						2	2
	136241P10	CB MCB 3P 240/415V 16A K CURVE	2						
	136241P12	CB MCB 3P 240/415V 25A K CURVE		2	2				
	136241P13	CB MCB 3P 240/415V 32A K CURVE	2		2	2			
	136241P14	CB MCB 3P 240/415V 40A K CURVE							2
	136241P15	CB MCB 3P 240/415V 50A K CURVE		2	2				
	136241P16	CB MCB 3P 240/415V 63A K CURVE				2	2		2
	183057G1	CB 3P 240/415V ABB 100A 480VAC							2
	113	136821P12	FUSE DUAL ELMNT "J" 600V 15.0A	6	6				
136821P13		FUSE DUAL ELMNT "J" 600V 17.5A	6	6					
136821P15		FUSE DUAL ELMNT "J" 600V 25.0A			6	6			
136821P16		FUSE DUAL ELMNT "J" 600V 30.0A					2		
136821P17		FUSE DUAL ELMNT "J" 600V 35A						6	
136821P18		FUSE DUAL ELMNT "J" 600V 40A					6	6	
180838P13		FUSE DUAL ELMNT "RK1" 250V 30A	6						
180838P14		FUSE DUAL ELMNT "RK1" 250V 35A		6					
180838P16		FUSE DUAL ELMNT "RK1" 250V 45A			6				
180838P17		FUSE DUAL ELMNT "RK1" 250V 50A				6			
180838P18		FUSE DUAL ELMNT "RK1" 250V 60A					6		
180838P20		FUSE DUAL ELMNT "RK1" 250V 80A						6	
136821P20		FUSE DUAL ELMNT "J" 600V 50A							6
136821P21	FUSE DUAL ELMNT "J" 600V 60A							6	
136821P22	FUSE DUAL ELMNT"RK1" 250V 100A							6	

6.7. Humidifier IR

Fused



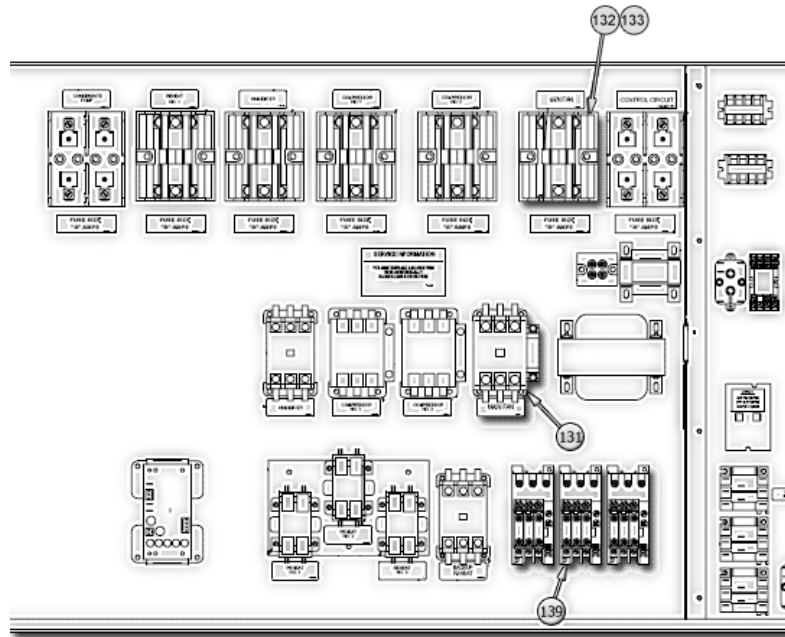
Circuit Breaker



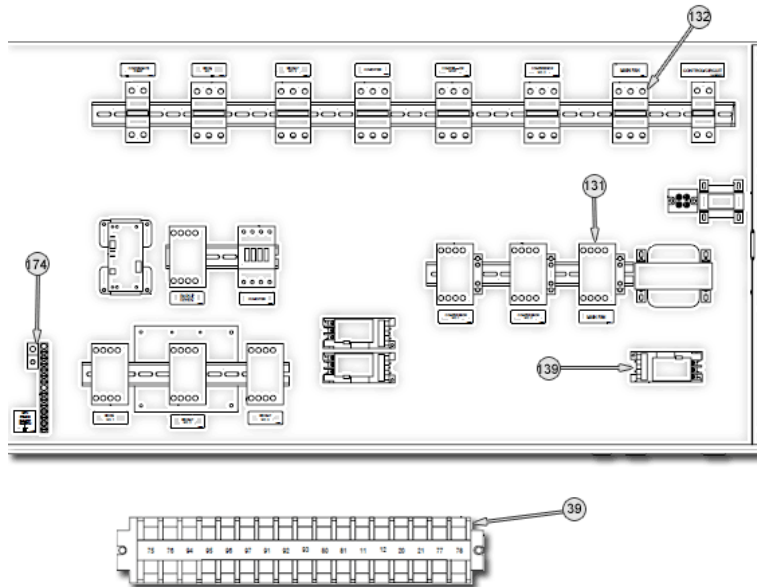
Item	Part Number	Description	028	035	042	053	070	077	105	
101	E-0110	CONTACTOR 3PL 24VCOIL 25/30AMP	1	1	1					
	E-011B	CONTACTOR 2PL 24VCOIL 25/35AMP	1	1	1					
	E-0100	CONTACTOR 3PL 24VCOIL 40/50AMP				1	1	1	1	
	136224P1	CONTACTOR 3P40IND/55RES24				1	1	1	1	
102	E-1020	FUSEBLOCK 250V 3P 030A	1	1	1	1	1	1	1	
	E-1040	FUSEBLOCK 250V 3P 060A				1	1	1	1	
	136811P1	FUSEBLOCK BUSS JP600V 30A 3P	1	1	1	1	1	1	1	
	195936P3	FUSEBLOCK 3P 250V 30A CLASS R	1	1	1	1	1	1	1	
	136241P10	CB MCB 3P 240/415V 16A K CURVE	2	2	2					
	136241P11	CB MCB 3P 240/415V 20A K CURVE	2	2	2	2	2	2	2	
	136241P14	CB MCB 3P 240/415V 40A K CURVE				2	2	2	2	
103	180838P11	FUSE DUAL ELMNT "RK1" 250V 20A	3	3	3					
	136821P12	FUSE DUAL ELMNT "J" 600V 15.0A	3	3	3					
	136821P13	FUSE DUAL ELMNT "J" 600V 17.5A				3	3	3	3	
	136821P14	FUSE DUAL ELMNT "J" 600V 20.0A				3	3	3	3	
	180838P9	FUSE DUAL ELMNT "RK1" 250V 15A	3	3	3					
	180838P13	FUSE DUAL ELMNT "RK1" 250V 30A				3	3	3	3	
		180838P14	FUSE DUAL ELMNT "RK1" 250V 35A				3	3	3	3

6.8. Motor

Fused



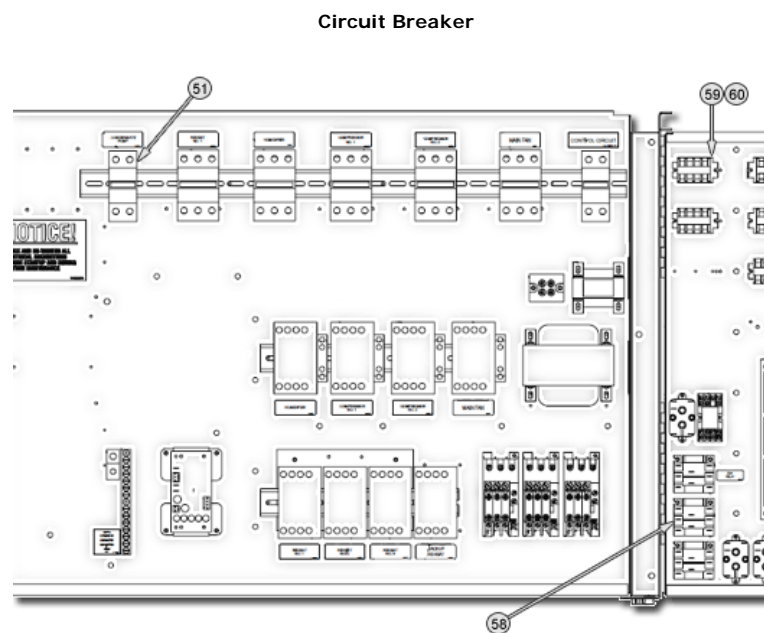
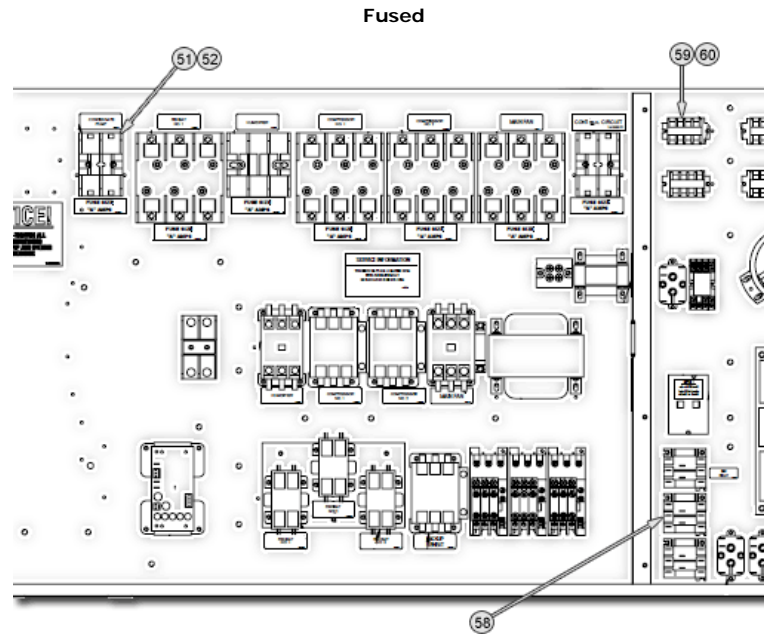
Circuit Breaker



Item	Part Number	Description	028	035	042	053	070	077	105
39	132487P1	TERMLSTRIP SECTION 1 POS	2	2	2	2	2	2	2
131	124501P1	CONTACTOR 3PL 24VCOIL 15/20AMP	1	1	1	1	1	1	1
	136221P1	CONTACTOR 3P16IND/21RES24/50	1	1	1				
	136223P1	CONTACTOR 3P30IND/40RES24	1	1	1				
	136224P1	CONTACTOR 3P40IND/55RES24				1	1	1	1
	136231P1	CONTACTOR 3P16IND21RES24/50AUX	1	1	1	1	1	1	1
	136232P1	CONTACTOR 3P23IND32RES24/50AUX	1	1	1	1	1	1	1
	136233P1	CONTACTOR 3P30IND40RES24/50AUX	1	1	1	1	1	1	1
	136234P1	CONTACTOR 3P40IND55RES24 AUX	1	1	1	1	1	1	1

Item	Part Number	Description	028	035	042	053	070	077	105
131	136235P1	CONTACTOR 3P60IND75RES24 AUX				1	1	1	1
	136236P1	CONTACTOR 3P72IND80RES24 AUX				1	1	1	1
	E-009F	CONTACTOR 3PL 24VCOIL 30/40AMP	1	1	1	1	1	1	1
	E-009H	CONTACTOR 3PL 24VCOIL 65/75AMP				1	1	1	1
	E-0110	CONTACTOR 3PL 24VCOIL 25/30AMP	1	1	1	1	1	1	1
	E-0100	CONTACTOR 3PL 24VCOIL 40/50AMP				1	1	1	1
	E-0110	CONTACTOR 3PL 24VCOIL 25/30AMP				1	1	1	1
	E-2500	CONTACTOR 3PL 24VCOIL 50/63AMP				1	1	1	1
132	136811P1	FUSEBLOCK BUSS JP600V 30A 3P	1	1	1	1	1	1	1
	181212P1	FUSEBLOCK J 600V 60A 3P				1	1	1	1
	195936P3	FUSEBLOCK 3P 250V 30A CLASS R	1	1	1	1	1	1	1
	195938P3	FUSEBLOCK 3P 250V 60A CLASS R	1	1	1	1	1	1	1
	195946P1	FUSEBLOCK 3P 250V 100A CLASS R				1	1	1	1
	E-1020	FUSEBLOCK 250V 3P 030A	1	1	1	1	1	1	1
	E-1040	FUSEBLOCK 250V 3P 060A	1	1	1	1	1	1	1
	E-1041	FUSEBLOCK 250V 3P 100A				1	1	1	1
133	183057G1	CB 3P 240/415V ABB 100A 480VAC				1	1	1	1
	136821P12	FUSE DUAL ELMNT "J" 600V 15.0A	3	3	3	3	3	3	3
	136821P13	FUSE DUAL ELMNT "J" 600V 17.5A	3	3	3	3	3	3	3
	136821P14	FUSE DUAL ELMNT "J" 600V 20.0A	3	3	3	3	3	3	3
	136821P15	FUSE DUAL ELMNT "J" 600V 25.0A				3	3	3	3
	136821P17	FUSE DUAL ELMNT "J" 600V 35A				3	3	3	3
	136821P18	FUSE DUAL ELMNT "J" 600V 40A				3	3	3	3
	136821P19	FUSE DUAL ELMNT "J" 600V 45A				3	3	3	3
	136821P20	FUSE DUAL ELMNT "J" 600V 50A				3	3	3	3
	180838P9	FUSE DUAL ELMNT "RK1" 250V 15A	3	3	3	3	3	3	3
	180838P12	FUSE DUAL ELMNT "RK1" 250V 25A	3	3	3	3	3	3	3
	180838P14	FUSE DUAL ELMNT "RK1" 250V 35A	3	3	3	3	3	3	3
	180838P16	FUSE DUAL ELMNT "RK1" 250V 45A				3	3	3	3
	180838P19	FUSE DUAL ELMNT "RK1" 250V 70A				3	3	3	3
	180838P21	FUSE DUAL ELMNT "RK1" 250V 90A				3	3	3	3
	186009P12	FUSE FASTACTING "J" 600V 20.0A	3	3	3	3	3	3	3
	186009P14	FUSE FASTACTING "J" 600V 20.0A	3	3	3	3	3	3	3
186009P15	FUSE FASTACTING "J" 600V 25.0A				3	3	3	3	
186009P16	FUSE FASTACTING "J" 600V 30.0A	3	3	3	3	3	3	3	
139	124547P1	OVERLOAD RELAY W/B MNT 32A C-H	1	1	1	1	1	1	1
174	E-3620	GROUND LUG STRIP 13POS SCRTRM	1	1	1	1	1	1	1

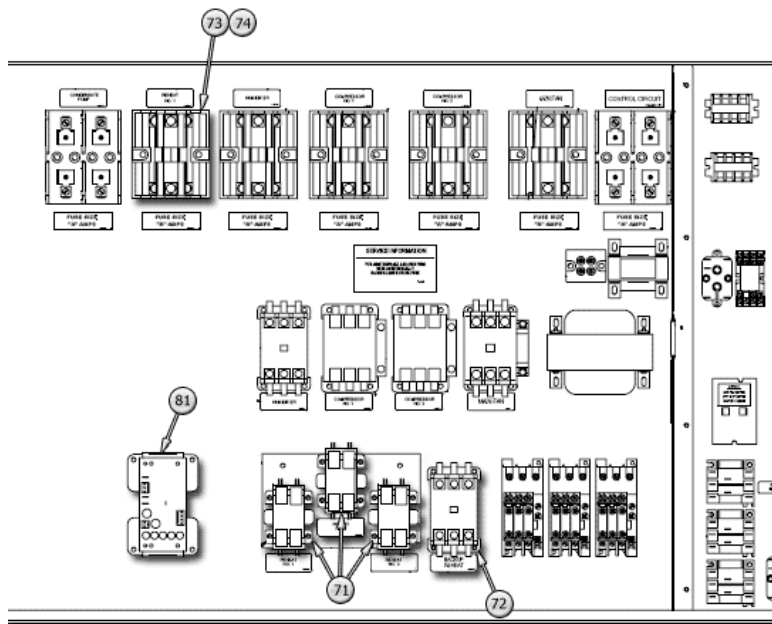
6.9. Pump



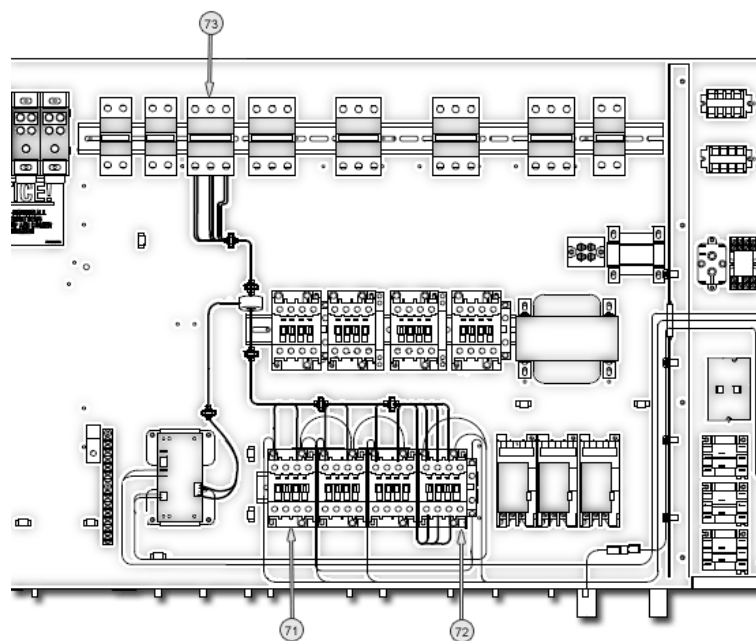
Item	Part Number	Description	028	035	042	053	070	077	105
51	136810P1	FUSEBLOCK BUSS J 600V 30A 2P	1	1	1	1	1	1	1
	195936P2	FUSEBLOCK 2P 250V 30A CLASS R	1	1	1	1	1	1	1
	E-6040	FUSEBLOCK 250V 2P 030A	1	1	1	1	1	1	1
	136240P5	CB MCB 2P 240/415V 3A K CURVE	1	1	1	1	1	1	1
52	136821P4	FUSE DUAL ELMNT "J" 600V 2.5A	2	2	2	2	2	2	2
	180838P4	FUSE DUAL ELMNT"RK1"250V 3.2A	2	2	2	2	2	2	2
58	E-0130	RELAY 2P2T 24VAC COIL	1	1	1	1	1	1	1
59	132487P1	TERMLSTRIP SECTION 1 POS	2	2	2	2	2	2	2
60	132487P2	TERMLSTRIP SECTION END BARRIER	1	1	1	1	1	1	1

6.10. Reheat

Fused



Circuit Breaker



Item	Part Number	Description	028	035	042	053	070	077	105
81	166806G2	GROUND CURRENT DETECTOR ASSY BSC	1	1	1	1	1	1	1

1-Stage Contactors

Item	Part Number	Description	028	035	042	053	070	077	105
71/72	E-011A	CONTACTOR 2PL 24VCOIL 2030AMP				1	1	1	1
	E-011B	CONTACTOR 2PL 24VCOIL25/35AMP				1	1	1	1
	E-011C	CONTACTOR 2PL 24VCOIL 40/50AMP				1	1	1	1
	136222P1	CONTACTOR 3P23IND/32RES24/50				1	1	1	1
	136227P1	CONTACTOR 3P32IND/50RES24				1	1	1	1
73	129629P1	FUSEBLOCK 250V 2P 060A				1	1	1	1
	136810P1	FUSEBLOCK BUSS J 600V 30A 2P				1	1	1	1
	181212P1	FUSEBLOCK J 600V 60A 3P							1
	195938P2	FUSEBLOCK 2P 250V 60A CLASS R				1	1	1	1
74	136821P14	FUSE DUAL ELMNT "J" 600V 20.0A				2	2	2	
	136821P15	FUSE DUAL ELMNT "J" 600V 25.0A				2	2	2	2
	136821P16	FUSE DUAL ELMNT "J" 600V 30.0A				2	2	2	2
	136821P17	FUSE DUAL ELMNT "J" 600V 35A				2	2	2	2
	180838P18	FUSE DUAL ELMNT "RK1" 250V 60A				2	2	2	2

3-Stage Contactors

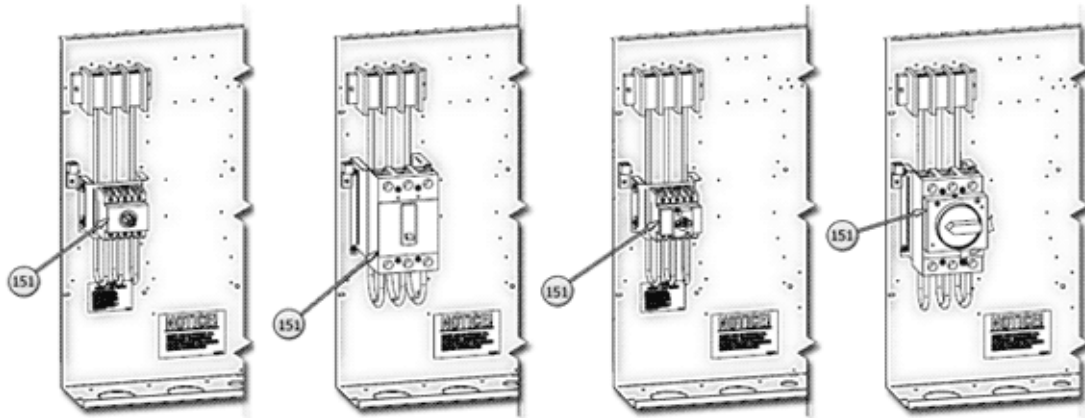
Item	Part Number	Description	028	035	042	053	070	077	105
71	E-011A	CONTACTOR 2PL 24VCOIL 2030AMP	3	3	3	3	3	3	3
	E-011B	CONTACTOR 2PL 24VCOIL25/35AMP				3	3	3	3
	E-011C	CONTACTOR 2PL 24VCOIL 40/50AMP				3	3	3	3
71/72	136222P1	CONTACTOR 3P23IND/32RES24/50	3	3	3	3	3	3	3
	136223P1	CONTACTOR 3P30IND/40RES24				3	3	3	3
	136227P1	CONTACTOR 3P32IND/50RES24				3	3	3	3
72	136232P1	CONTACTOR 3P23IND32RES24/50AUX	3	3	3	3	3	3	3
	136233P1	CONTACTOR 3P30IND40RES24/50AUX					3	3	3
	136237P1	CONTACTOR 3P32IND50RES24 AUX					3	3	3
	123273P1	CONTACTOR 3PL 25/30 NO/NC AUX	3	3	3	3	3	3	3
	123280P1	CONTACTOR 3PL 30/40 NO/NC AUX							3
	123281P1	CONTACTOR 3PL 40/50 NO/NC AUX				3	3	3	3
73	136811P1	FUSEBLOCK BUSS JP600V 30A 3P	1	1	1	1	1	1	1
	181212P1	FUSEBLOCK J 600V 60A 3P				1	1	1	1
	195936P3	FUSEBLOCK 3P 250V 30A CLASS R				2	2	2	
	195938P3	FUSEBLOCK 3P 250V 60A CLASS R				2	2	2	2
	E-1020	FUSEBLOCK 250V 3P 030A				2	2	2	
E-1040	FUSEBLOCK 250V 3P 060A				2	2	2	2	
74	136821P12	FUSE DUAL ELMNT "J" 600V 15.0A	3	3	3	3	3	3	3
	136821P13	FUSE DUAL ELMNT "J" 600V 17.5A	3	3	3	3	3	3	3
	136821P14	FUSE DUAL ELMNT "J" 600V 20.0A				3	3	3	
	136821P15	FUSE DUAL ELMNT "J" 600V 25.0A				3	3	3	
	136821P16	FUSE DUAL ELMNT "J" 600V 30.0A				3	3	3	3
	136821P17	FUSE DUAL ELMNT "J" 600V 35A				3	3	3	3
	180838P18	FUSE DUAL ELMNT "RK1" 250V 60A							3
	136821P19	FUSE DUAL ELMNT "J" 600V 45A				3	3	3	3
	136821P20	FUSE DUAL ELMNT "J" 600V 50A				3	3	3	3
	136821P21	FUSE DUAL ELMNT "J" 600V 60A							3
	180838P13	FUSE DUAL ELMNT "RK1" 250V 30A				6	6	6	
	180838P14	FUSE DUAL ELMNT "RK1" 250V 35A				6	6	6	
	180838P16	FUSE DUAL ELMNT "RK1" 250V 45A							6
	180838P17	FUSE DUAL ELMNT "RK1" 250V 50A				6	6	6	
	180838P18	FUSE DUAL ELMNT "RK1" 250V 60A				6	6	6	6

SCR Reheat

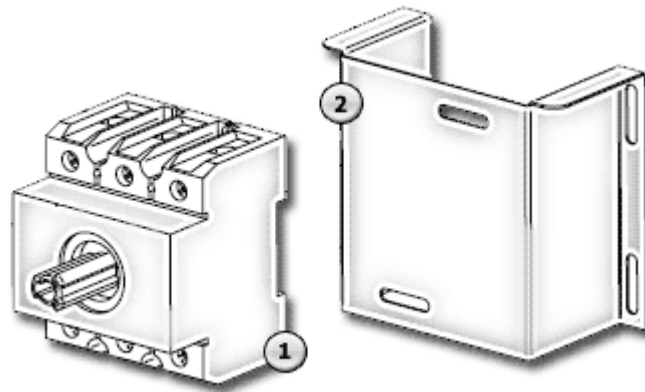
Item	Part Number	Description	028	035	042	053	070	077	105
73	136811P1	FUSEBLOCK BUSS JP600V 30A 3P	1	1	1				
	181212P1	FUSEBLOCK J 600V 60A 3P	1	1	1	1	1	1	1
	195938P3	FUSEBLOCK 3P 250V 60A CLASS R	1	1	1	1	1	1	1
74	136821P14	FUSE DUAL ELMNT "J" 600V 20.0A	3	3	3				
	136821P15	FUSE DUAL ELMNT "J" 600V 25.0A	3	3	3				
	136821P16	FUSE DUAL ELMNT "J" 600V 30.0A	3	3	3				
	136821P17	FUSE DUAL ELMNT "J" 600V 35A				3	3	3	
	136821P19	FUSE DUAL ELMNT "J" 600V 45A				3	3	3	3
	136821P20	FUSE DUAL ELMNT "J" 600V 50A	3	3	3	3	3	3	3
	136821P21	FUSE DUAL ELMNT "J" 600V 60A				6	6	6	6
	180838P17	FUSE DUAL ELMNT "RK1" 250V 50A	3	3	3	6	6	6	
180838P18	FUSE DUAL ELMNT "RK1" 250V 60A				6	6	6	6	

6.11. Disconnect

6.11.1. Single Disconnect

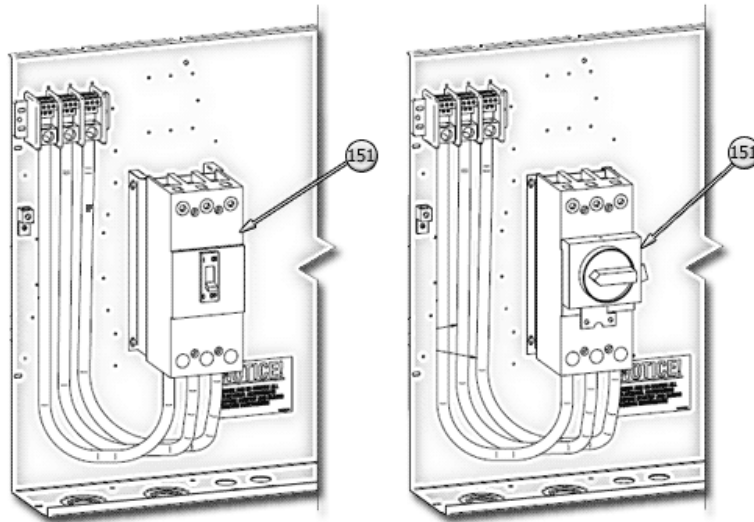


151

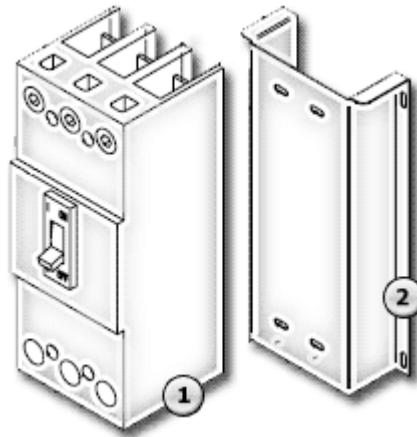


Item	Part Number	Description	028	035	042	053	070	077	105
1	1C18351P1	SW DISC 600V 3PL 100A	1	1	1	1	1	1	1
	1C18351P2	SW DISC 600V 3PL 60A	1	1	1	1	1	1	1
2	178367P1	STANDOFF DISC K/M DS	1	1	1	1	1	1	1

6.11.2. Single Disconnect 600V

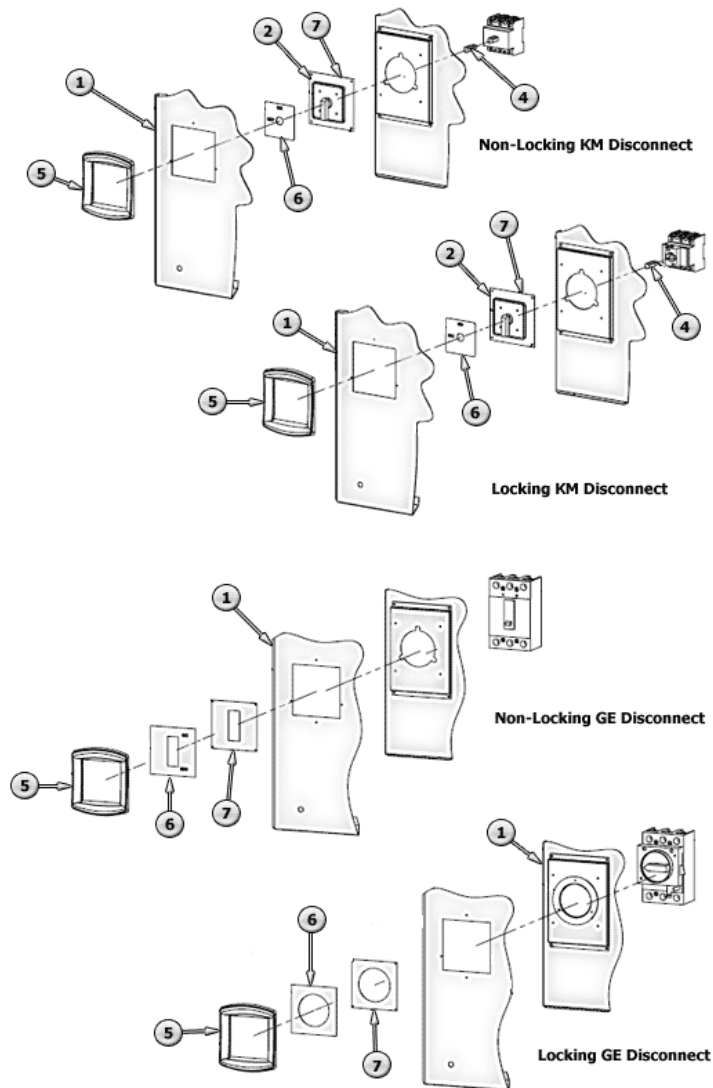


151



Item	Part Number	Description	028	035	042	053	070	077	105
1	159852P4	DISC SWT 250AMP 240V-3 65AIC	1	1	1	1	1	1	1
2	182523P1	STANDOFF DISC GE 250A N/L DS	1	1	1	1	1	1	1
	178366P2	STANDOFF DISC GE 225A LOK DS	1	1	1	1	1	1	1

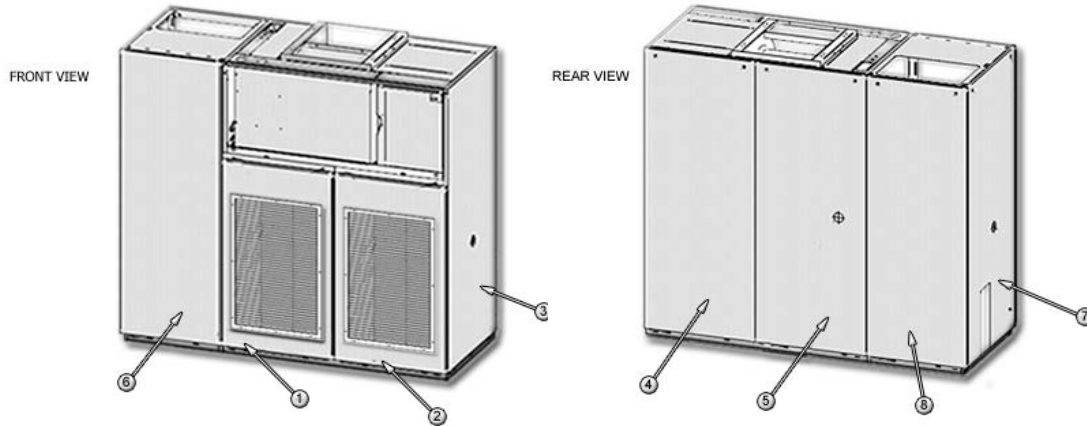
6.11.3. Disconnect Options



Item	Part Number	Description	028	035	042	053	070	077	105
1	182749P1	ACCNT PNL CHSEL 82" 250A DISC				1	1	1	1
	181981P1	ACCNT PNL CHSEL 82" NONE DISC				1	1	1	1
	181020P1	ACCNT PNL CHSEL 82" SNGL DISC				1	1	1	1
	181014P1	ACCNT PNL CHSEL 59" SNGL DISC	1	1	1				
	181366P1	ACCNT PNL CHSEL 59" DUAL DISC	1	1	1				
	181367P1	ACCNT PNL CHSEL 59" NO DISC	1	1	1				
	181981G2	ACCNT PNL CHSEL 105"NO DISC							1
	182749G2	ACCNT CHSEL GLOB 105"250A DISC							1
2	118352P1	HANDLE DISC SWT/FACEPLATE K/M	1	1	1	1	1	1	1
4	1A18353P1	SHAFT EXTENSION K/M DISC SWT	1	1	1	1	1	1	1
5	179746P1	DISCONNECT BEZEL GLOBAL	1	1	1	1	1	1	1
6	180917P3	LABEL, DISCONNECT K/M	1	1	1	1	1	1	1
7	1C18707P1	PLATE DISC K/M	1	1	1	1	1	1	1

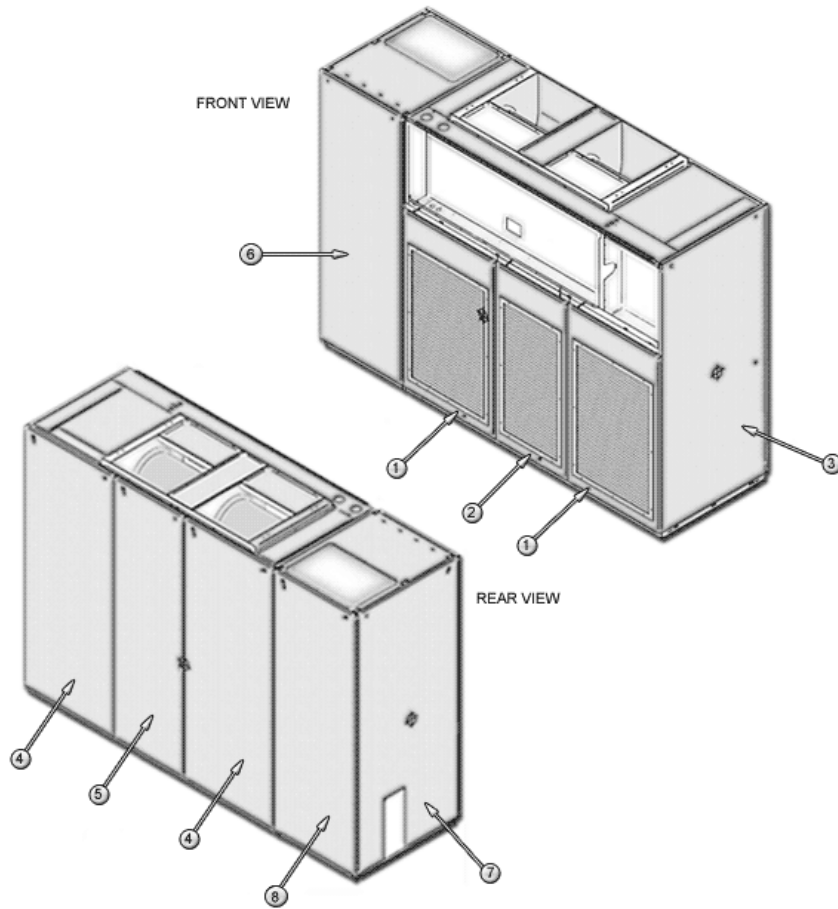
7. Exterior Section

7.1. Front Return 028-042 (8-12T)



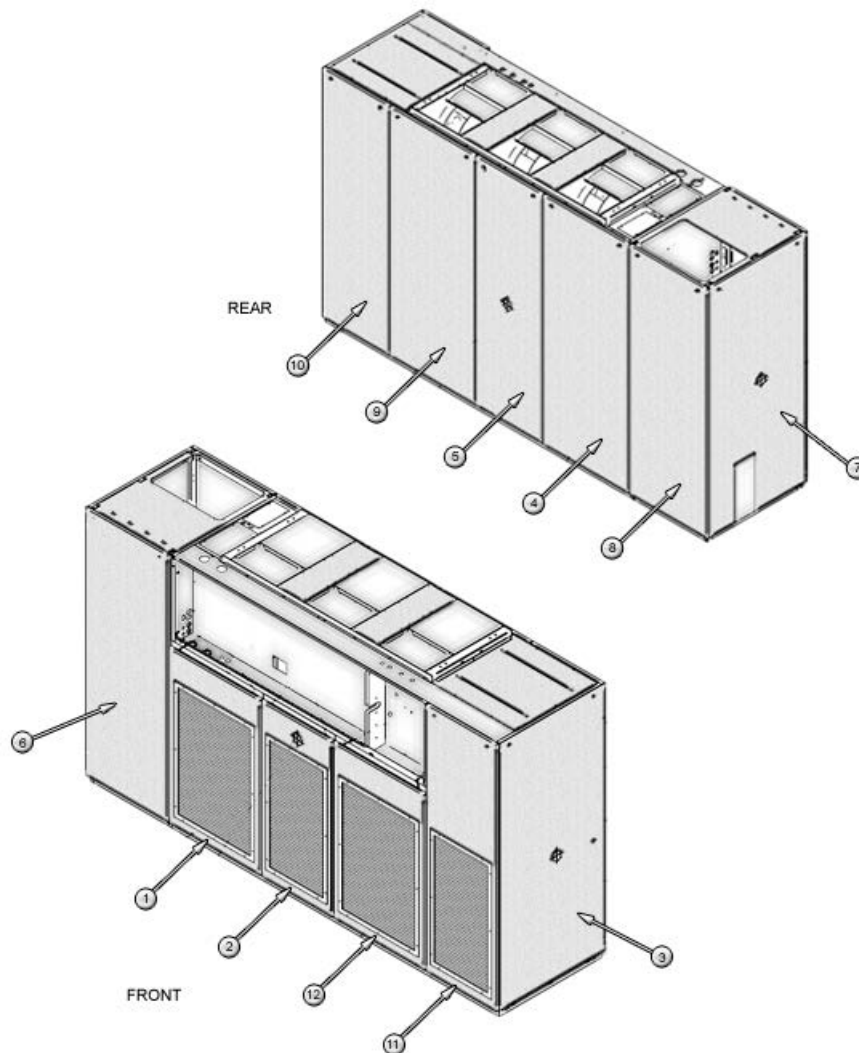
Item	Part Number	Description	Type	028	035	042
1	186330G1	PNL ASSY CHISEL FRT LFT VFR DS	Standard	1	1	1
	307571G1	PNL ASSY CHISEL FRT LFT VFR DS		1	1	1
	186690P1	LINER PANEL FRONT FR V DS	Double-Skin	2	2	2
2	186330G2	PNL ASSY CHISEL FRT RHT VFR DS	Standard	1	1	1
	307571G2	PNL ASSY CHISEL FRT RHT VFR DS		1	1	1
	180547P1	LINER PANEL COMP 26" DS	Double-Skin	2	2	2
	180916P1	LINER FRT/BK COMP 13" DS		2	2	2
3	197784G1	END PANEL RIGHT SIDE D DS	Standard	1	1	1
	303747G1	END PANEL RIGHT SIDE D DS		1	1	1
	178110P1	LINER ENDPANEL LEFT DS	Double-Skin	1	1	1
4	178109G2	PANEL ASSY REAR LEFT DS	Standard	1	1	1
	303749G2	PANEL ASSY REAR LEFT DS		1	1	1
	307504G2	PANEL ASSY REAR LEFT DS		1	1	1
	178106P1	LINER PANEL REAR DS	Double-Skin	2	2	2
5	178109G1	PANEL ASSY REAR RIGHT DS	Standard	1	1	1
	303749G1	PANEL ASSY REAR RIGHT DS		1	1	1
	307504G1	PANEL ASSY REAR RIGHT DS		1	1	1
	178923P1	LINER REAR CENTER 82" DS	Double-Skin	1	1	1
6	180548G1	PANEL ASSY FRONT COMP 26" DS	Standard	1	1	1
	180915G1	PANEL ASSY FRONT COMP 13" DS		1	1	1
	307521G1	PANEL ASSY FRONT COMP 26" DS		1	1	1
	307538G1	PANEL ASSY FRONT COMP 13" DS		1	1	1
	186723P1	LINER PNL CTR FRT RTN V DS	Double-Skin	1	1	1
7	178113G1	PANEL ASSY LEFT END PANEL DS	-	1	1	1
	307530G1	PANEL ASSY LEFT ENDPANEL DS		1	1	1
8	180548G2	PANEL ASSY BACK COMP 26" DS	-	1	1	1
	180915G2	PANEL ASSY BACK COMP 13" DS		1	1	1
	303761G1	PANEL ASSY BACK COMP 26" DS		1	1	1
	305405G1	PANEL ASSY BACK COMP 13" DS		1	1	1
	307536G1	PANEL ASSY BACK COMP 26" DS		1	1	1
	307541G1	PANEL ASSY BACK COMP 13" DS		1	1	1

7.2. Front Return 053-077 (15-22T)



Item	Part Number	Description	Type	053	070	077
1	186330G2	PNL ASSY CHISEL FRT RHT VFR DS	Standard	1	1	1
	307571G2	PNL ASSY CHISEL FRT RHT VFR DS		1	1	1
	186690P1	LINER PANEL FRONT FR V DS	Double-Skin	2	2	2
2	186722G1	PANEL ASSY FRT CTR VDS FR	Standard	1	1	1
	307608G1	PANEL ASSY FRT CTR VDS FR		1	1	1
	180547P1	LINER PANEL COMP 26" DS	Double-Skin	2	2	2
	181986P1	LINER FRT/BK COMP 15" DS		2	2	2
3	197784G1	END PANEL RIGHT SIDE D DS	Standard	1	1	1
	181012G1	END PANEL RIGHT SIDE D DS		1	1	1
	303747G1	END PANEL RIGHT SIDE D DS		1	1	1
	178110P1	LINER ENDPANEL LEFT DS	Double-Skin	1	1	1
4	178109G2	PANEL ASSY REAR LEFT DS	Standard	2	2	2
	303749G2	PANEL ASSY REAR LEFT DS		2	2	2
	178106P1	LINER PANEL REAR DS	Double-Skin	2	2	2
5	181025G2	PANEL ASSY REAR CENTER 82" DS	Standard	1	1	1
	303759G1	PANEL ASSY REAR CENTER 82" DS		1	1	1
	178923P1	LINER REAR CENTER 82" DS	Double-Skin	1	1	1
6	180548G1	PANEL ASSY FRONT COMP 26" DS	-	1	1	1
	180548G3	PANEL ASSY FRONT COMP 15" DS		1	1	1
	307521G1	PANEL ASSY FRONT COMP 26" DS		1	1	1
	307560G1	PANEL ASSY FRONT COMP 15" DS		1	1	1
	180543P1	LINER PANEL FRT CENTER 82" DS		1	1	1
	300501P1	LINER PANEL FRT CENTER 82" DS		1	1	1
7	178113G1	PANEL ASSY LEFT END PANEL DS	-	1	1	1
	307530G1	PANEL ASSY LEFT ENDPANEL DS		1	1	1

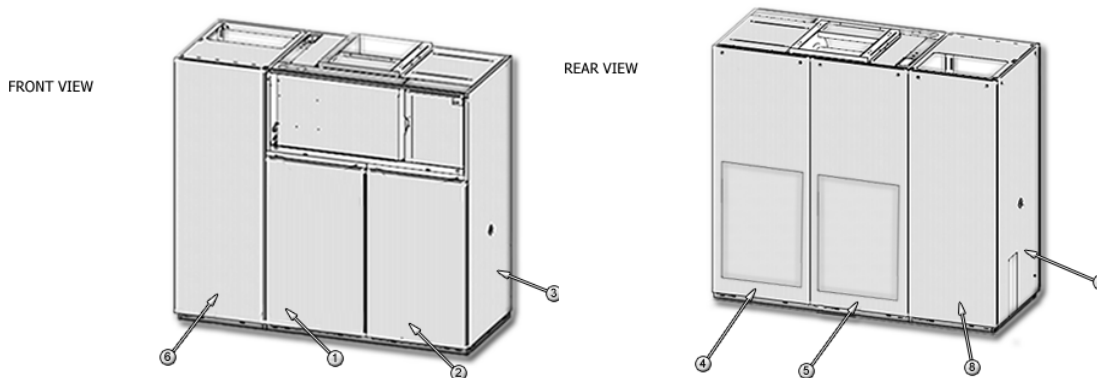
7.3. Front Return 105 (30T)



Item	Part Number	Description	Type	105
1	186330G2	PNL ASSY CHISEL FRT RHT VFR DS	Standard	1
	307571G2	PNL ASSY CHISEL FRT RHT VFR DS		1
2	186690P1	LINER PANEL FRONT FR V DS	Double-Skin	2
	186722G1	PANEL ASSY FRT CTR VDS FR		1
	307608G1	PANEL ASSY FRT CTR VDS FR	Standard	1
	180547P1	LINER PANEL COMP 26" DS		2
	197784G1	END PANEL RIGHT SIDE D DS		1
3	181012G1	END PANEL RIGHT SIDE D DS	Standard	1
	303747G1	END PANEL RIGHT SIDE D DS		1
	178110P1	LINER ENDPANEL LEFT DS		Double-Skin
	178109G2	PANEL ASSY REAR LEFT DS	1	
4	303749G2	PANEL ASSY REAR LEFT DS	Standard	1
	178106P1	LINER PANEL REAR DS		Double-Skin
	5	181025G2	PANEL ASSY REAR CENTER 82" DS	
303759G1		PANEL ASSY REAR CENTER 82" DS	1	
307546G1		PANEL ASSY REAR CENTER 82" DS	1	
178923P1		LINER REAR CENTER 82" DS	Double-Skin	2
6	180548G1	PANEL ASSY FRONT COMP 26" DS	Standard	1
	307521G1	PANEL ASSY FRONT COMP 26" DS		1
	180543P1	LINER PANEL FRT CENTER 82" DS	Double-Skin	1
	300501P1	LINER PANEL FRT CENTER 82" DS		1
7	178113G1	PANEL ASSY LEFT END PANEL DS	Standard	1
	307530G1	PANEL ASSY LEFT ENDPANEL DS		1
	198607P1	LINER PNL CTR FRONT RTN V DS	Double-Skin	1

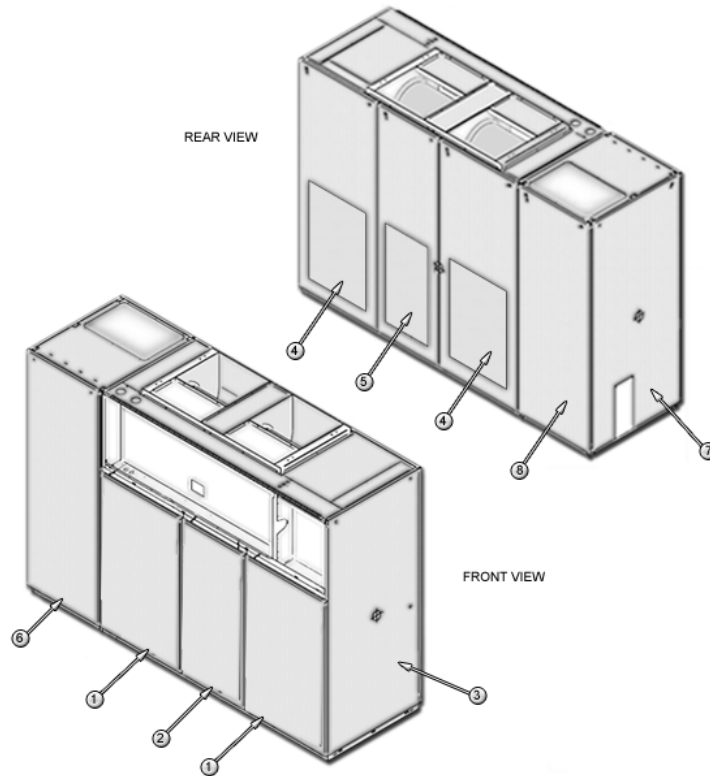
Item	Part Number	Description	105
8	180548G2	PANEL ASSY BACK COMP 26" DS	1
	303761G1	PANEL ASSY BACK COMP 26" DS	1
	307536G1	PANEL ASSY BACK COMP 26" DS	1
9	178109G1	PANEL ASSY REAR RIGHT DS	1
	303749G1	PANEL ASSY REAR RIGHT DS	1
	307504G1	PANEL ASSY REAR RIGHT DS	1
10	180548G6	PANEL ASSY BACK RT END 30T DS	1
	303761G2	PANEL ASSY REAR LFT END 30T DS	1
	307563G1	PANEL ASSY REAR LFT END 30T DS	1
11	186722G3	PANEL ASSY FRT CTR VDS FR 30T	1
	307620G1	PANEL ASSY FRT VDS FR 30T	1
12	186330G1	PNL ASSY CHISEL FRT LFT VFR DS	1
	307571G1	PNL ASSY CHISEL FRT LFT VFR DS	1

7.4. Rear Return 028-042 (8-12T)



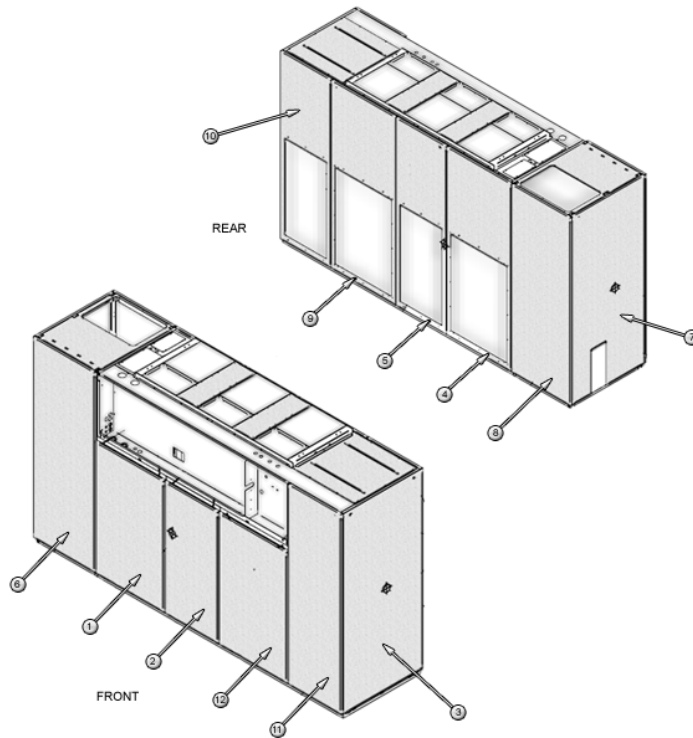
Item	Part Number	Description	Type	028	035	042
1	186330G2	PNL ASSY CHISEL FRT RHT VFR DS	Standard	1	1	1
	307501G1	PANEL ASSY CHISEL FRONT LFT DS		1	1	1
	178091P1	LINER PANEL FRONT DS	Double-Skin	2	2	2
	300496P1	LINER PANEL FRONT DS		2	2	2
2	181018G2	PANEL ASSY CHISEL FRONT RHT DS	Standard	1	1	1
	307501G2	PANEL ASSY CHISEL FRONT RHT DS		1	1	1
	180547P1	LINER PANEL COMP 26" DS	Double-Skin	2	2	2
	180916P1	LINER FRT/BK COMP 13" DS		2	2	2
3	197784G1	END PANEL RIGHT SIDE D DS	Standard	1	1	1
	303747G1	END PANEL RIGHT SIDE D DS		1	1	1
	178110P1	LINER ENDPANEL LEFT DS	Double-Skin	1	1	1
4	305461G2	PANEL ASSY RR LH DS W/CUTOUT	Standard	1	1	1
	307633G2	PANEL ASSY RR LH DS W/CUTOUT		1	1	1
	186691P1	LINER PANEL REAR RR V DS	Double-Skin	2	2	2
5	185806G1	PANEL ASSY RR RH DS W/CUTOUT	-	1	1	1
	305461G1	PANEL ASSY RR RH DS W/CUTOUT		1	1	1
	307633G1	PANEL ASSY RR RH DS W/CUTOUT		1	1	1
6	180548G1	PANEL ASSY FRONT COMP 26" DS	Standard	1	1	1
	180915G1	PANEL ASSY FRONT COMP 13" DS		1	1	1
	307521G1	PANEL ASSY FRONT COMP 26" DS		1	1	1
	307538G1	PANEL ASSY FRONT COMP 13" DS	Double-Skin	1	1	1
7	186723P1	LINER PNL CTR FRT RTN V DS	-	1	1	1
	178113G1	PANEL ASSY LEFT END PANEL DS		1	1	1
8	307530G1	PANEL ASSY LEFT ENDPANEL DS	-	1	1	1
	180548G2	PANEL ASSY BACK COMP 26" DS		1	1	1
	180915G2	PANEL ASSY BACK COMP 13" DS		1	1	1
	303761G1	PANEL ASSY BACK COMP 26" DS		1	1	1
	305405G1	PANEL ASSY BACK COMP 13" DS		1	1	1
	307536G1	PANEL ASSY BACK COMP 26" DS		1	1	1
307541G1	PANEL ASSY BACK COMP 13" DS	1	1	1		

7.5. Rear Return 053-077 (15-22T)



Item	Part Number	Description	Type	053	070	077
1	181018G2	PANEL ASSY CHISEL FRONT RHT DS	Standard	2	2	2
	307501G2	PANEL ASSY CHISEL FRONT RHT DS		2	2	2
	178091P1	LINER PANEL FRONT DS	Double-Skin	2	2	2
	300496P1	LINER PANEL FRONT DS		2	2	2
2	181025G1	PANEL ASSY FRONT CENTER 82"DS	Standard	1	1	1
	307543G1	PANEL ASSY FRONT CENTER 82"DS		1	1	1
	180547P1	LINER PANEL COMP 26" DS	Double-Skin	2	2	2
	181986P1	LINER FRT/BK COMP 15" DS		2	2	2
3	181012G1	END PANEL RIGHT SIDE D DS	Standard	1	1	1
	197784G1	END PANEL RIGHT SIDE D DS		1	1	1
	303747G1	END PANEL RIGHT SIDE D DS	Double-Skin	1	1	1
	178110P1	LINER ENDPANEL LEFT DS		1	1	1
4	185806G2	PANEL ASSY RR LH DS W/CUTOUT	Standard	2	2	2
	305461G2	PANEL ASSY RR LH DS W/CUTOUT		2	2	2
	307633G2	PANEL ASSY RR LH DS W/CUTOUT	Double-Skin	2	2	2
	186691P1	LINER PANEL REAR RR V DS		2	2	2
5	186722G2	PANEL ASSY REAR CTR VDS RR	Standard	1	1	1
	305464G2	PANEL ASSY REAR CTR VDS RR		1	1	1
	307635G1	PANEL ASSY REAR CTR VDS RR	Double-Skin	1	1	1
	186726P1	LINER PNL CTR REAR RTN V DS		1	1	1
6	180548G1	PANEL ASSY FRONT COMP 26" DS	Standard	1	1	1
	180548G3	PANEL ASSY FRONT COMP 15"DS		1	1	1
	307521G1	PANEL ASSY FRONT COMP 26" DS		1	1	1
	307560G1	PANEL ASSY FRONT COMP 15"DS	Double-Skin	1	1	1
	180543P1	LINER PANEL FRT CENTER 82" DS		1	1	1
	300501P1	LINER PANEL FRT CENTER 82" DS		1	1	1
7	178113G1	PANEL ASSY LEFT END PANEL DS	-	1	1	1
	307530G1	PANEL ASSY LEFT ENDPANEL DS		1	1	1
8	180548G2	PANEL ASSY BACK COMP 26" DS	-	1	1	1
	180548G4	PANEL ASSY BACK COMP 15" DS		1	1	1
	303761G1	PANEL ASSY BACK COMP 26" DS		1	1	1
	305407G1	PANEL ASSY BACK COMP 15" DS		1	1	1
	307536G1	PANEL ASSY BACK COMP 26" DS		1	1	1
	307562G1	PANEL ASSY BACK COMP 15" DS		1	1	1

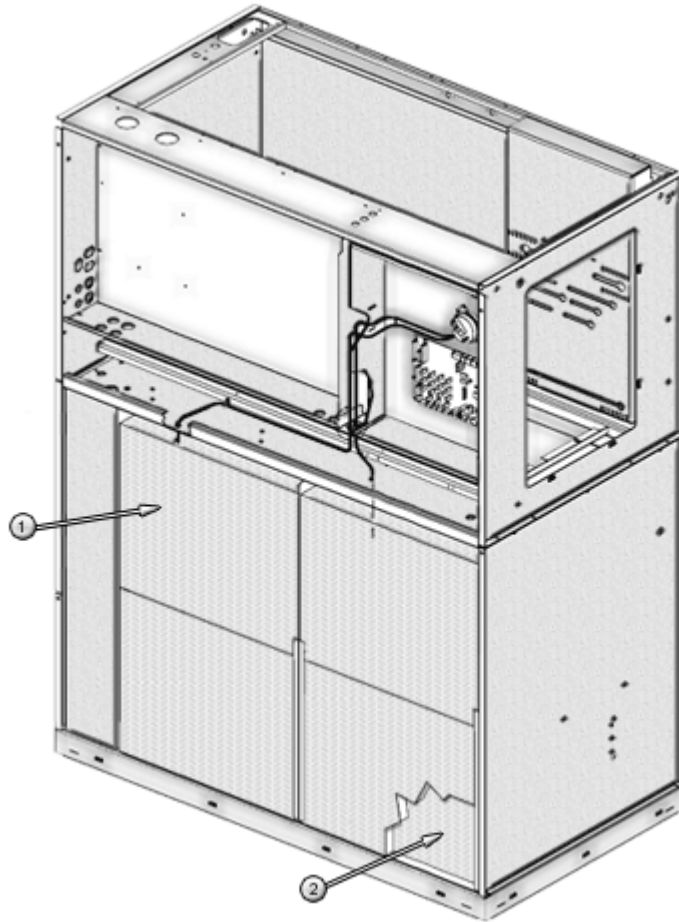
7.6. Rear Return 105 (30T)



Item	Part Number	Description	Type	105
1	181018G2	PANEL ASSY CHISEL FRONT RHT DS	Standard	1
	307501G2	PANEL ASSY CHISEL FRONT RHT DS		1
	178091P1	LINER PANEL FRONT DS	Double-Skin	2
	300496P1	LINER PANEL FRONT DS		2
2	181025G1	PANEL ASSY FRONT CENTER 82" DS	Standard	1
	307543G1	PANEL ASSY FRONT CENTER 82" DS		1
	180547P1	LINER PANEL COMP 26" DS	Double-Skin	2
3	181012G1	END PANEL RIGHT SIDE D DS	Standard	1
	197784G1	END PANEL RIGHT SIDE D DS		1
	303747G1	END PANEL RIGHT SIDE D DS		1
	178110P1	LINER ENDPANEL LEFT DS	Double-Skin	1
4	185806G2	PANEL ASSY RR LH DS W/CUTOUT	Standard	1
	305461G2	PANEL ASSY RR LH DS W/CUTOUT		1
	307633G2	PANEL ASSY RR LH DS W/CUTOUT		1
	186691P1	LINER PANEL REAR RR V DS	Double-Skin	2
5	186722G2	PANEL ASSY REAR CTR VDS RR	Standard	1
	305464G2	PANEL ASSY REAR CTR VDS RR		1
	307635G1	PANEL ASSY REAR CTR VDS RR		1
	186726P1	LINER PNL CTR REAR RTN V DS	Double-Skin	2
6	180548G1	PANEL ASSY FRONT COMP 26" DS	Standard	1
	307521G1	PANEL ASSY FRONT COMP 26" DS		1
	180543P1	LINER PANEL FRT CENTER 82" DS	Double-Skin	1
	300501P1	LINER PANEL FRT CENTER 82" DS		1
7	178113G1	PANEL ASSY LEFT END PANEL DS	Standard	1
	307530G1	PANEL ASSY LEFT ENDPANEL DS		1
	178923P1	LINER REAR CENTER 82" DS	Double-Skin	1
8	180548G2	PANEL ASSY BACK COMP 26" DS	-	1
	303761G1	PANEL ASSY BACK COMP 26" DS		1
	307536G1	PANEL ASSY BACK COMP 26" DS		1
9	185806G1	PANEL ASSY RR RH DS W/CUTOUT	-	1
	305461G1	PANEL ASSY RR RH DS W/CUTOUT		1
	307633G1	PANEL ASSY RR RH DS W/CUTOUT		1
10	186722G4	PANEL ASSY REAR CTR VDS RR	-	1
	305464G4	PANEL ASSY REAR CTR VDS RR		1
11	180548G5	PANEL ASSY FRONT RT END 30T DS	-	1
	307568G1	PANEL ASSY FRONT RT END 30T DS		1
12	181018G1	PANEL ASSY CHISEL FRONT LFT DS	-	1
	307501G1	PANEL ASSY CHISEL FRONT LFT DS		1

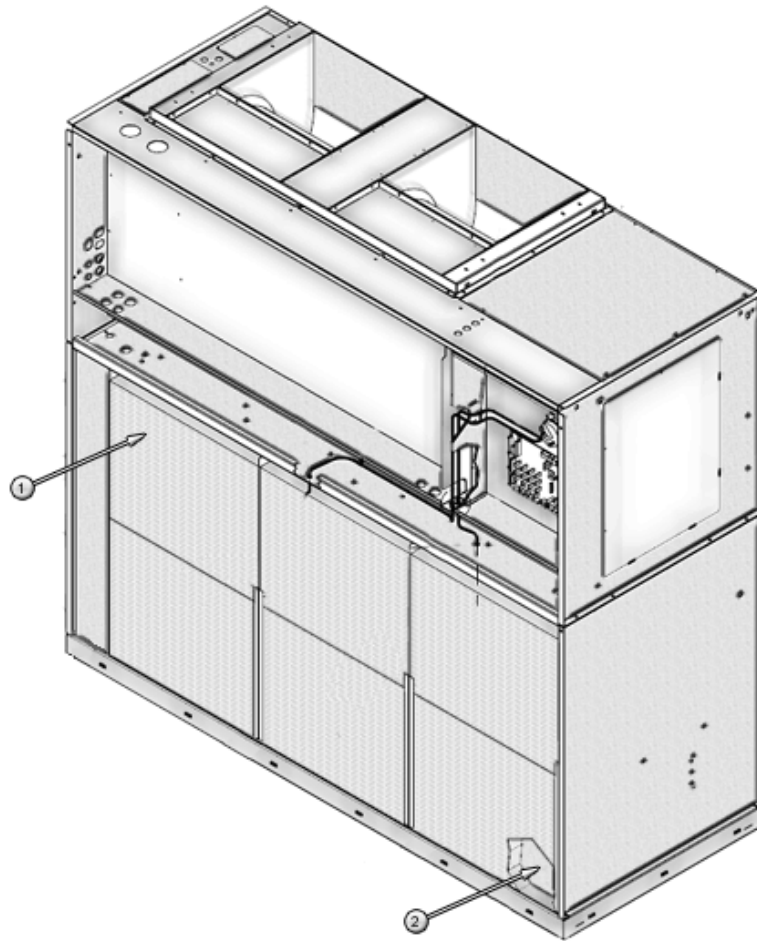
8. Filter Section

8.1. 028-042 (8-12T)



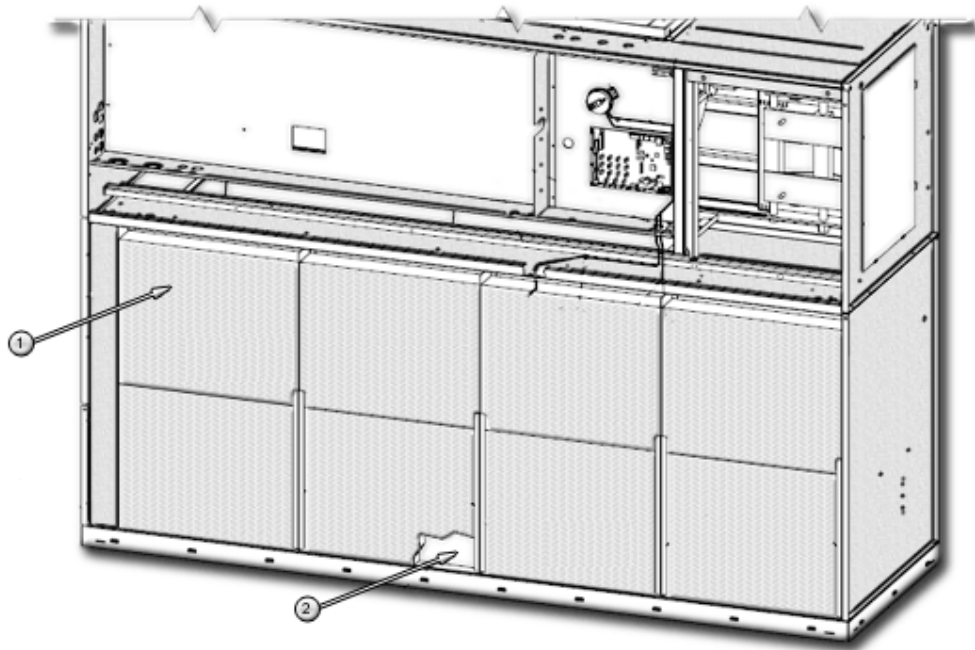
Item	Part Number	Description	028	035	042
1	178027P1	FILTER 4" 25X20 M11 65% HC	4	4	4
	178025P1	FILTER 4" 25X20 M8 45% SC	4	4	4
	180992P1	FILTER 2" 25X20 MERV 8	4	4	4
	180994P1	FILTER 2" 25X20 M11 65% HC	4	4	4
	195545P1	FILTER 25X20X4 MERV 8	4	4	4
2	180994P1	FILTER 2" 25X20 M11 65% HC	4	4	4

8.2. 053-077 (15-22T)



Item	Part Number	Description	053	070	077
1	178027P1	FILTER 4" 25X20 M11 65% HC	6	6	6
	178025P1	FILTER 4" 25X20 M8 45% SC	6	6	6
	180992P1	FILTER 2" 25X20 M7 40% SC	6	6	6
	195545P1	FILTER 25X20X4 MERV 8	6	6	6
2	180994P1	FILTER 2" 25X20 M11 65% HC	6	6	6

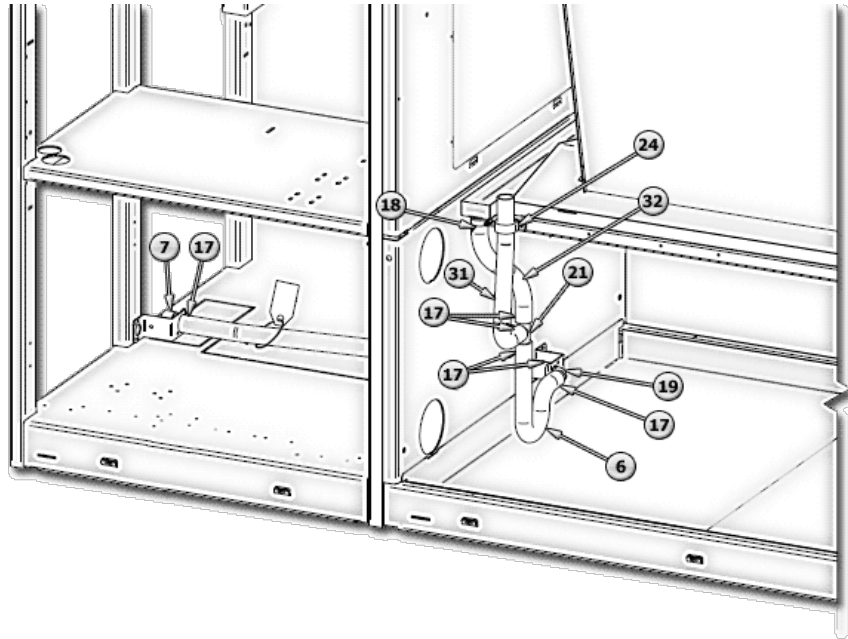
8.3. 105 (30T)



Item	Part Number	Description	105
1	178027P1	FILTER 4" 25X20 M11 65% HC	8
	178025P1	FILTER 4" 25X20 M8 45% SC	8
	180992P1	FILTER 2" 25X20 M7 40% SC	8
	195545P1	FILTER 25X20X4 MERV 8	8
2	180994P1	FILTER 2" 25X20 M11 65% HC	8

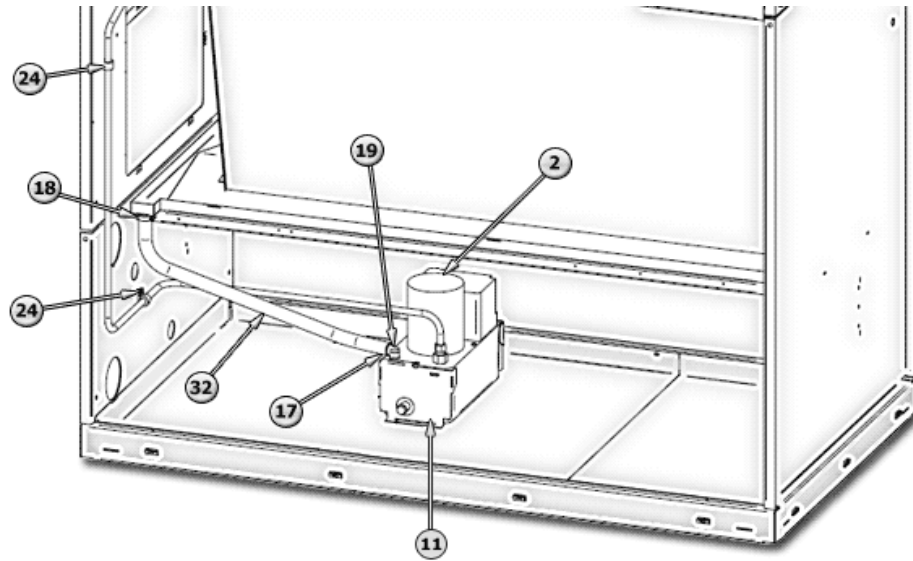
9. Humidifier Section

9.1. No Hum No Pump



Item	Part Number	Description	028	035	042	053	070	077	105
6	P-5500	HOSE DRAIN .75 ID TRAP	1	1	1	1	1	1	1
7	P02-0260	ADAPTER POLY 3/4FPTX3/4HOSE	1	1	1	1	1	1	1
17	P15-0150	CLAMP WIRE	6	6	6	6	6	6	6
18	124216P2	CLAMP HOSE WORM DRIVE .31X1.25	1	1	1	1	1	1	1
19	P15-0110	ELL NYLON 90 3/4BARB X 3/4BARB	1	1	1	1	1	1	1
	P15-0140	UNION NYLON 3/4BARBX3/4BARB	1	1	1	1	1	1	1
21	1A16207P1	TEE BARB 3/4X3/4X3/4	1	1	1	1	1	1	1
24	P-229B	CLAMP INSULATED METAL 1"	1	1	1	1	1	1	1
31	164262P5	HOSE FRMD 10.25X2.73 RUBBER 90	1	1	1	1	1	1	1
32	P15-0170	HOSE DRAIN .75 ID STRAIGHT	1	1	1	1	1	1	2

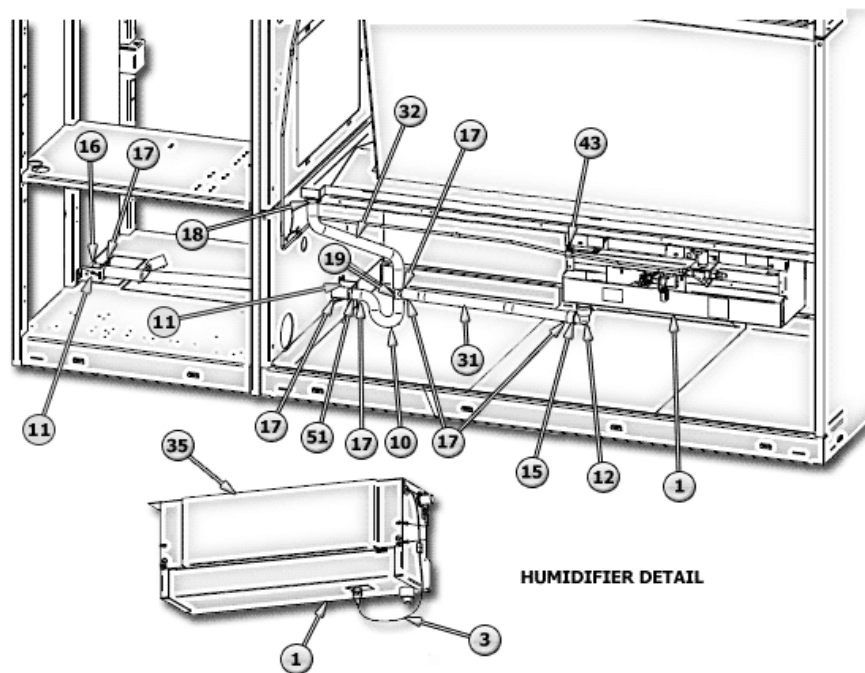
9.2. No Hum with Pump



Item	Part Number	Description	028	035	042	053	070	077	105
2	1A19271P1	PUMP CONDENSATE 208/230/1/60DF	1	1	1	1	1	1	1
	1A19271P2	PUMP CONDENSATE 460/1/60DF	1	1	1	1	1	1	1
11	178339P1	BRKT PUMP CONDENSATE DS	2	2	2	2	2	2	2
17	P15-0150	CLAMP WIRE	1	1	1	1	1	1	1
18	124216P2	CLAMP HOSE WORM DRIVE .31X1.25	1	1	1	1	1	1	1
19	P15-0110	ELL NYLON 90 3/4BARB X 3/4BARB	1	1	1	1	1	1	1
24	P-2290	CLAMP INSULATED METAL 1/2"	4	4	4	4	4	4	5
32	P15-0170	HOSE DRAIN .75 ID STRAIGHT	1	1	1	1	1	1	2

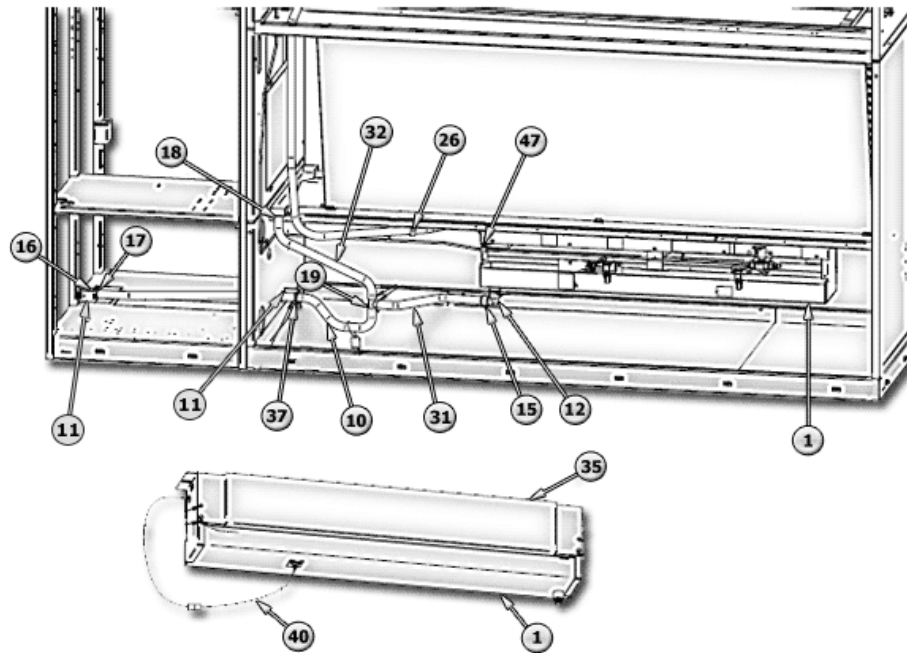
9.3. Hum IR without Pump

9.3.1. 8T-12T



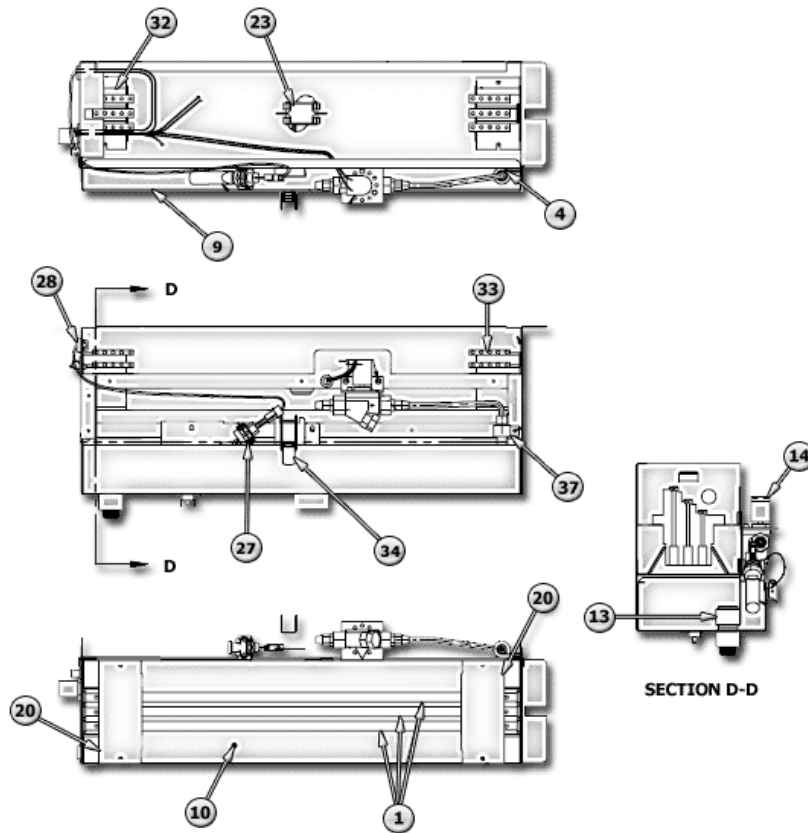
Item	Part Number	Description	028	035	042
1	-	Humidifier 3-Bulb	-	-	-
3	H-0450	SENSOR SAFETY THOPN-RISE 225F	1	1	1
10	P-5500	HOSE DRAIN .75 ID TRAP	1	1	1
11	178339P1	BRKT PUMP CONDENSATE DS	2	2	2
12	1A12800P1	ELL POLY90 3/4NPTX3/4MPSFEMALE	1	1	1
15	P-5400	ADAPTER SWIVL3/4FPTX3/4HOSEBRB	1	1	1
16	P02-0260	ADAPTER POLY 3/4FPTX3/4HOSE	1	1	1
17	P15-0150	CLAMP WIRE	7	7	7
18	124216P2	CLAMP HOSE WORM DRIVE .31X1.25	1	1	1
19	1A16207P1	TEE BARB 3/4X3/4X3/4	1	1	1
32	P15-0170	HOSE DRAIN .75 ID STRAIGHT	1	1	1
35	186602P1	DUCT HUMID SHORT V DS	1	1	1
43	P-229A	CLAMP INSULATED METAL 1/4"	1	1	1
51	P15-0140	UNION NYLON 3/4BARBX3/4BARB	1	1	1

9.3.2. 15-30T



Item	Part Number	Description	053	070	077	105
1	-	Humidifier 3-Bulb/6-Bulb	-	-	-	-
10	164262P5	HOSE FRMD 10.25X2.73 RUBBER 90	1	1	1	1
11	178339P1	BRKT PUMP CONDENSATE DS	2	2	2	2
12	1A12800P1	ELL POLY90 3/4NPTX3/4MPSFEMALE	1	1	1	1
15	P-5400	ADAPTER SWIVL3/4FPTX3/4HOSEBRB	1	1	1	1
16	P02-0260	ADAPTER POLY 3/4FPTX3/4HOSE	1	1	1	1
17	P15-0150	CLAMP WIRE	3	3	3	3
18	124216P2	CLAMP HOSE WORM DRIVE .31X1.25	1	1	1	1
19	1A16207P1	TEE BARB 3/4X3/4X3/4	1	1	1	1
26	P-229B	CLAMP INSULATED METAL 1"	1	1	1	1
31/32	P15-0170	HOSE DRAIN .75 ID STRAIGHT	1	1	1	2
35	186282P1	DUCT HUMID LONG VS	1	1	1	1
37	P15-0140	UNION NYLON 3/4BARBX3/4BARB	1	1	1	1
40	H-0450	SENSOR SAFETY THOPN-RISE 225F	1	1	1	1
47	P-229A	CLAMP INSULATED METAL 1/4"	1	1	1	1

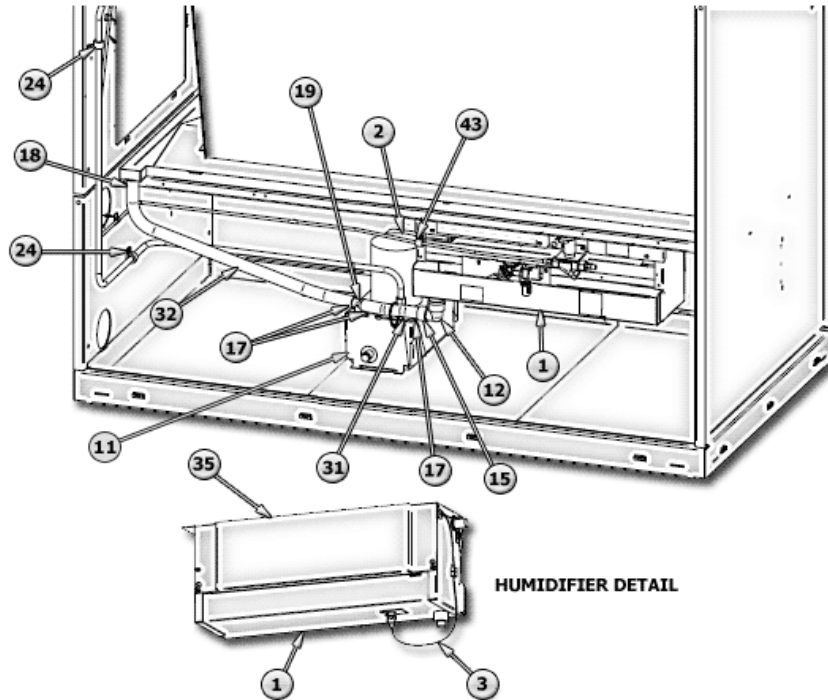
9.3.3. Humidifier 3-Bulb



Item	Part Number	Description	028	035	042	053	070	077	105
1	H-0020	LAMP I/R LINEAR/ORTZ 1600W240V	3	3	3				
	H-002A	LAMP I/R LINEAR/ORTZ 1600W208V	3	3	3				
	H13-0010	LAMP I/R LINEAR/ORTZ 1600W277V	3	3	3				
4	136647P1	COVER HUM ELEC BOX U C3000	1	1	1				
9	180653G1	PAN WELDMNT HUM IR SHORT LDS	1	1	1				
10	124578P1	REFLECTOR INFRA-RED HUMIDIFIER	1	1	1				
13	1C18003G2	STANDPIPE ASSY W/NUT	1	1	1				
14	185108P (1)	VALV SOLND/STRANR/FLWREG .5GPM	1	1	1				
	127781P1 (2)	ADAPTER BRASS 1/4COMX1/4MPT	2	2	2				
20	F-6090	COVER END BLOCK	2	2	2				
23	R13-0090	SAFETY SWT THERM 120F TR	1	1	1				
27	1A18660P1	SW LEVEL LIQUID GEMS LS-7	1	1	1	1	1	1	1
28	176345P1	STRAINRELIEF BUSHING HEYCO1217	2	2	2				
32/33	H-014A (1)	SOCKET BUSBAR PORCELAIN	1	1	1				
	H-0370 (2)	BUSBAR HUMIDIFIER HI-VOLT	3	3	3				
34	136743P1	LATCH HUMIDIFIER PAN	1	1	1				
37	P-2290	CLAMP INSULATED METAL 1/2"	1	1	1				

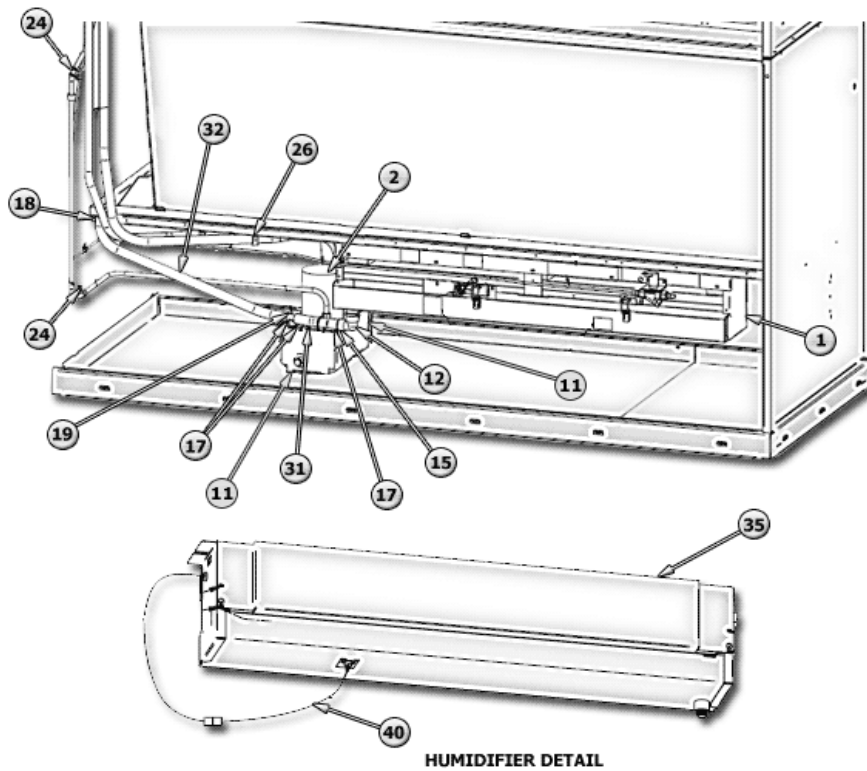
9.4. Hum IR with Pump

9.4.1. 8T-12T

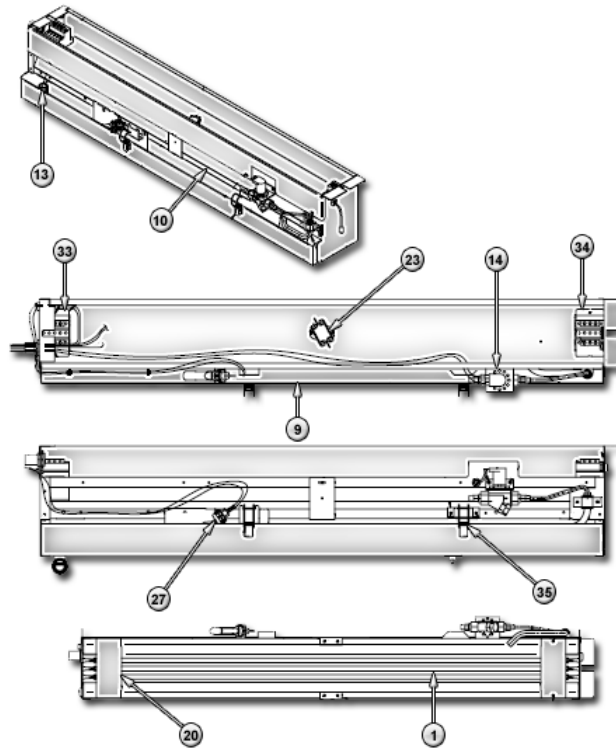


Item	Part Number	Description	028	035	042
1	-	Humidifier 3-Bulb	-	-	-
2	1A19271P1	PUMP CONDENSATE 208/230/1/60DF	1	1	1
	1A19271P2	PUMP CONDENSATE 460/1/60DF	1	1	1
3	H-0450	SENSOR SAFETY THOPN-RISE 225F	1	1	1
11	178339P1	BRKT PUMP CONDENSATE DS	2	2	2
12	1A12800P1	ELL POLY90 3/4NPTX3/4MPSFEMALE	1	1	1
15	P-5400	ADAPTER SWIVL3/4FPTX3/4HOSEBRB	1	1	1
17	P15-0150	CLAMP WIRE	3	3	3
18	124216P2	CLAMP HOSE WORM DRIVE .31X1.25	1	1	1
19	1A16207P1	TEE BARB 3/4X3/4X3/4	1	1	1
24	P-2290	CLAMP INSULATED METAL 1/2"	1	1	1
31/32	P15-0170	HOSE DRAIN .75 ID STRAIGHT	1	1	1
35	186602P1	DUCT HUMID SHORT V DS	1	1	1
43	P-229A	CLAMP INSULATED METAL 1/4"	1	1	1

9.4.2. 15T-22T

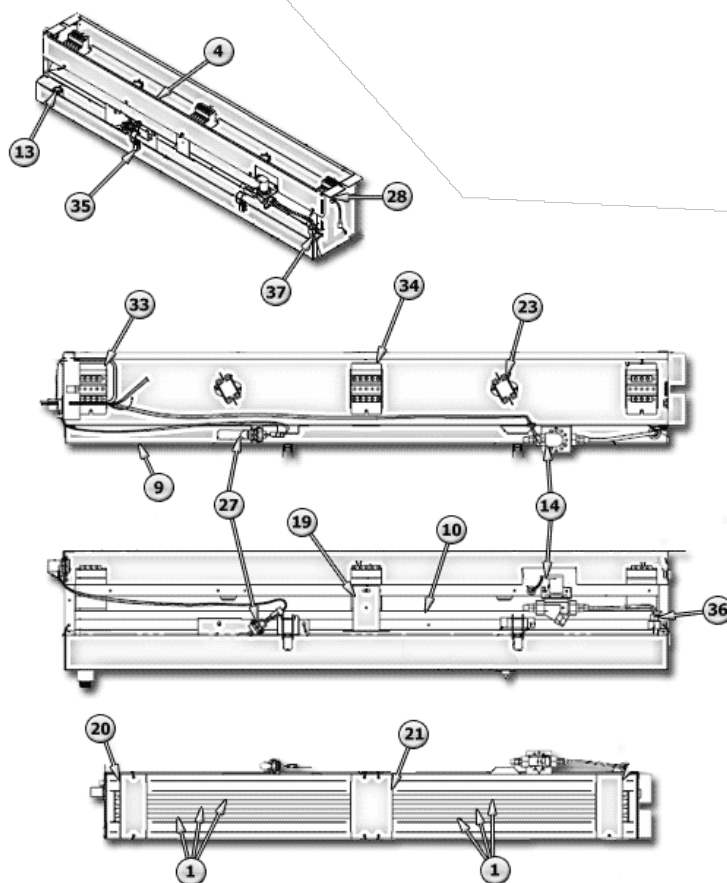


Item	Part Number	Description	053	070	077	105
1	-	Humidifier 3-Bulb/6-Bulb (Page 48)	-	-	-	-
2	1A19271P1	PUMP CONDENSATE 208/230/1/60DF	1	1	1	1
	1A19271P2	PUMP CONDENSATE 460/1/60DF	1	1	1	1
11	178339P1	BRKT PUMP CONDENSATE DS	2	2	2	2
12	1A12800P1	ELL POLY90 3/4NPTX3/4MPSFEMALE	1	1	1	1
15	P-5400	ADAPTER SWIVL3/4FPTX3/4HOSEBRB	1	1	1	1
17	P15-0150	CLAMP WIRE	3	3	3	3
18	124216P2	CLAMP HOSE WORM DRIVE .31X1.25	1	1	1	1
19	1A16207P1	TEE BARB 3/4X3/4X3/4	1	1	1	1
24	P-2290	CLAMP INSULATED METAL 1/2"	4	4	4	4
26	P-229B	CLAMP INSULATED METAL 1"	1	1	1	1
31/32	P15-0170	HOSE DRAIN .75 ID STRAIGHT	1	1	1	2
35	186282P1	DUCT HUMID LONG VS	1	1	1	1
40	H-0450	SENSOR SAFETY THOPN-RISE 225F	1	1	1	1

9.4.3. 3-Bulb Assembly


Item	Part Number	Description	028	035	042	053	070	077	105
1	H-0030	LAMP I/R LINEAR/ORTZ 3800W570V				3	3	3	3
9	186606G1	PAN WELDMNT HUMID ASSY DS				1	1	1	1
10	186777P1	REFLECTOR 575V DOUBLE				1	1	1	1
13	1C18003G2	STANDPIPE ASSY W/NUT				1	1	1	1
	1C18003G4	STANDPIPE ASSY W/O NUT				1	1	1	1
14	185108P1 (1)	VALV SOLND/STRANR/FLWREG .5GPM				1	1	1	1
	127781P1 (2)	ADAPTER BRASS 1/4COMX1/4MPT				2	2	2	2
20	F-6090	COVER END BLOCK				2	2	2	2
23	R13-0090	SAFETY SWT THERM 120F TR				2	2	2	2
27	1A18660P1	SW LEVEL LIQUID GEMS LS-7	1	1	1	1	1	1	1
33/34	H-014A (1)	SOCKET BUSBAR PORCELAIN				1	1	1	1
	H-0370 (2)	BUSBAR HUMIDIFIER HI-VOLT				3	3	3	3
35	136743P1	LATCH HUMIDIFIER PAN				2	2	2	2

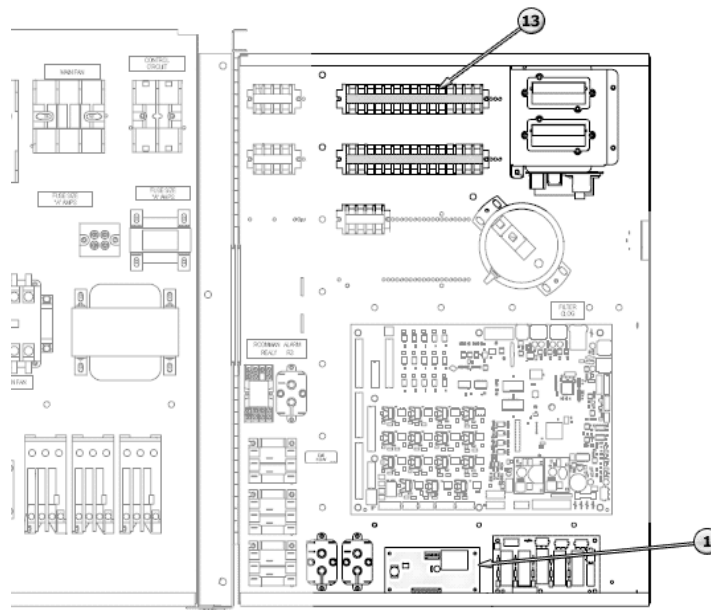
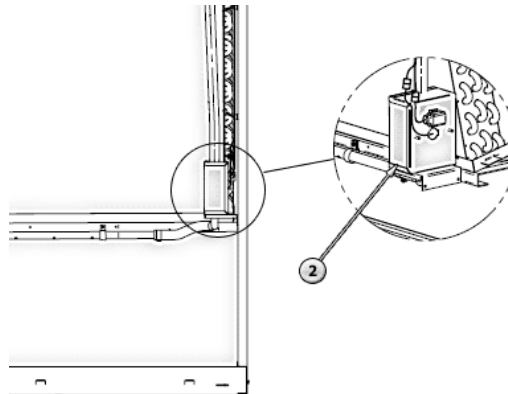
9.4.4. 6-Bulb Assembly



Item	Part Number	Description	028	035	042	053	070	077	105
1	H-0020	LAMP I/R LINEAR/ORTZ 1600W240V				6	6	6	6
	H-002A	LAMP I/R LINEAR/ORTZ 1600W208V				6	6	6	6
4	189328P1	COVER HUM IR ELEC LONG DS				1	1	1	1
9	186606G1	PAN WELDMENT HUMID ASSY DS				1	1	1	1
10	186758P1	REFLECTOR DOUBLE DS V				1	1	1	1
13	1C18003G2	STANDPIPE ASSY W/NUT				1	1	1	1
14	1C18003G4	STANDPIPE ASSY W/O NUT				1	1	1	1
19	F-6100	SUPPORT REFLECTOR				2	2	2	2
20	F-6090	COVER END BLOCK				2	2	2	2
21	F-601D	COVER BLOCK MIDDLE				1	1	1	1
23	R13-0090	SAFETY SWT THERM 120F TR				2	2	2	2
27	1A18660P1	SW LEVEL LIQUID GEMS LS-7	1	1	1	1	1	1	1
28	176345P1	STRAINRELIEF BUSHING HEYCO1217				2	2	2	2
33	009-0265	HUM SOCKET ASSY 3 5POS				2	2	2	2
34	009-0297	HUM SOCKET ASSY 2-5POS 1-2PL				1	1	1	1
35	136743P1	LATCH HUMIDIFIER PAN				2	2	2	2
36	190723P1	STRAIGHT TUBE IR HUM FILL LINE				1	1	1	1
37	P-2290	CLAMP INSULATED METAL 1/2"				4	4	4	4

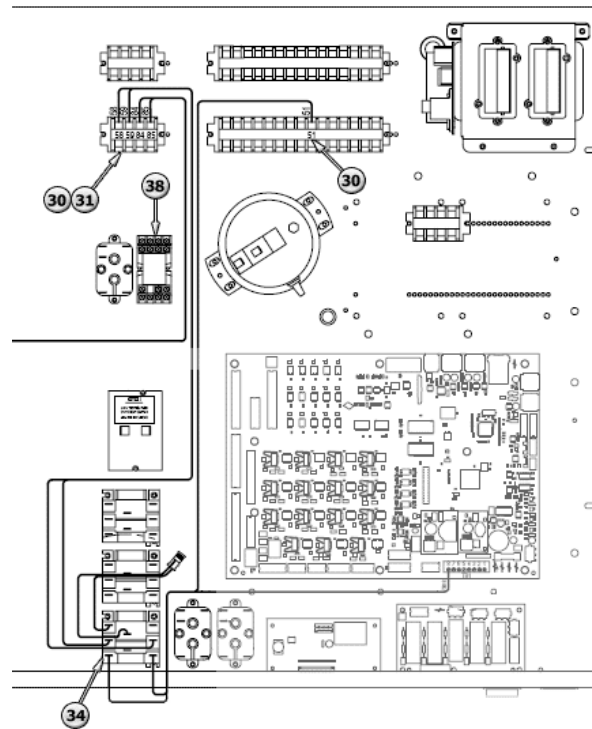
10. Miscellaneous Section

10.1. Smoke Detector



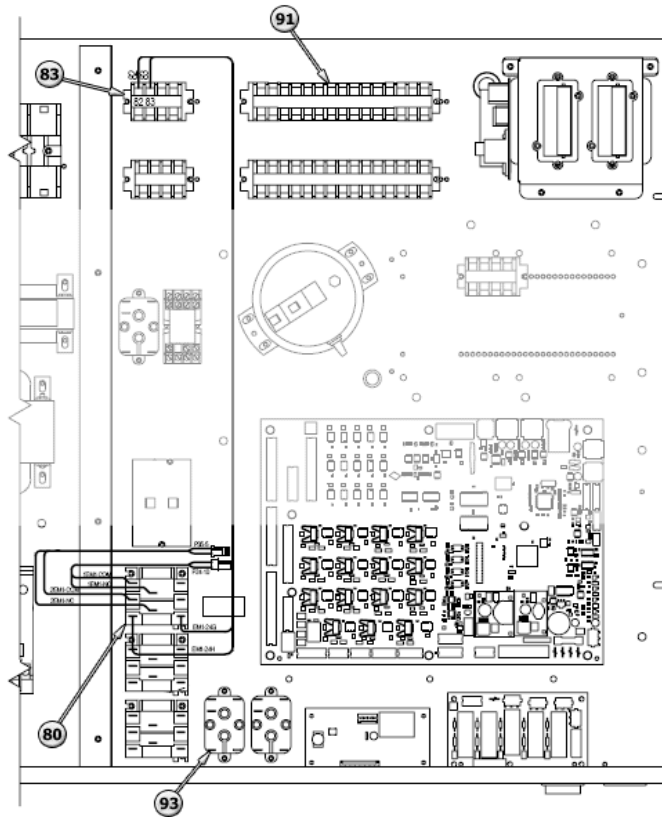
Item	Part Number	Description	028	035	042	053	070	077	105
1	124502P2	PWA SMOKE DET CNTL 24VDC 2CONN	1	1	1	1	1	1	1
2	180976G1	SMOKE DETEC ENCLO ASSY 731L DS	1	1	1	1	1	1	1
13	132487P1	TERMLSTRIP SECTION 1 POS	5	5	5	5	5	5	4

10.2. Low Voltage Terminal



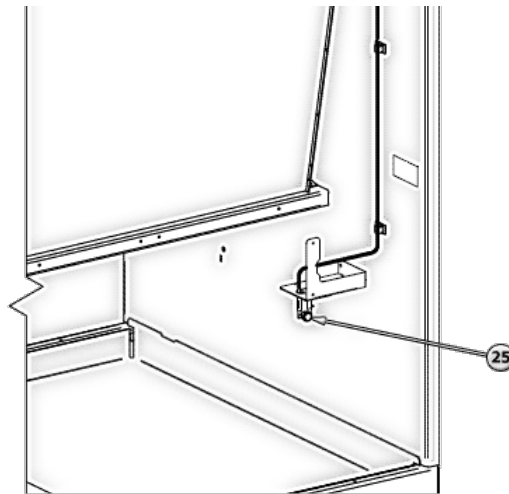
Item	Part Number	Description	028	035	042	053	070	077	105
30	132487P1	TERMLSTRIP SECTION 1 POS	12	12	12	12	12	12	12
31	132487P2	TERMLSTRIP SECTION END BARRIER	1	1		1	1	1	1
34	E-0130	RELAY 2P2T 24VAC COIL	1	1	1	1	1	1	1
38	E-2440	RELAY 4P2T 24VAC 125V MAXLOAD	1	1	1	1	1	1	1

10.3. Reheat/Humidifier Lockout



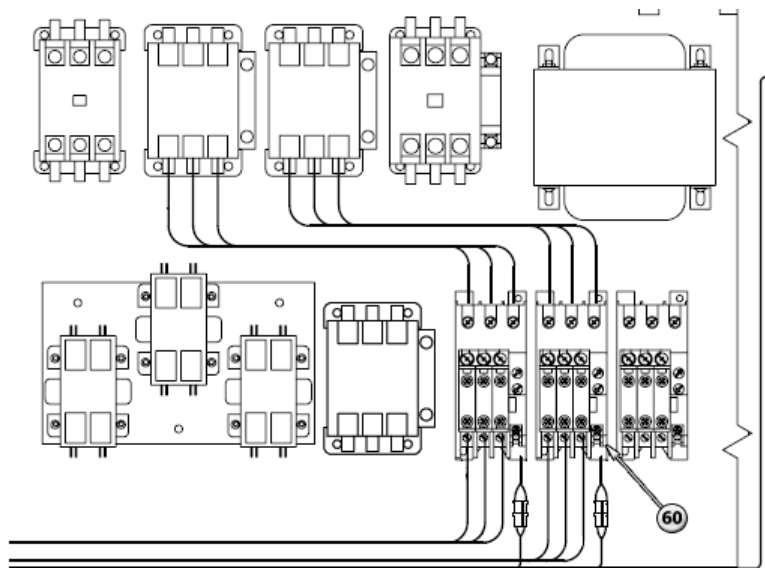
Item	Part Number	Description	028	035	042	053	070	077	105
80	E-0130	RELAY 2P2T 24VAC COIL	1	1	1	1	1	1	1
83/91	132487P1	TERMLSTRIP SECTION 1 POS	2	2	2	2	2	2	2
93	E03-0170	RELAY 1P2T 24V 50/60HZ	1	1	1	1	1	1	1

10.4. High Temperature Sensor



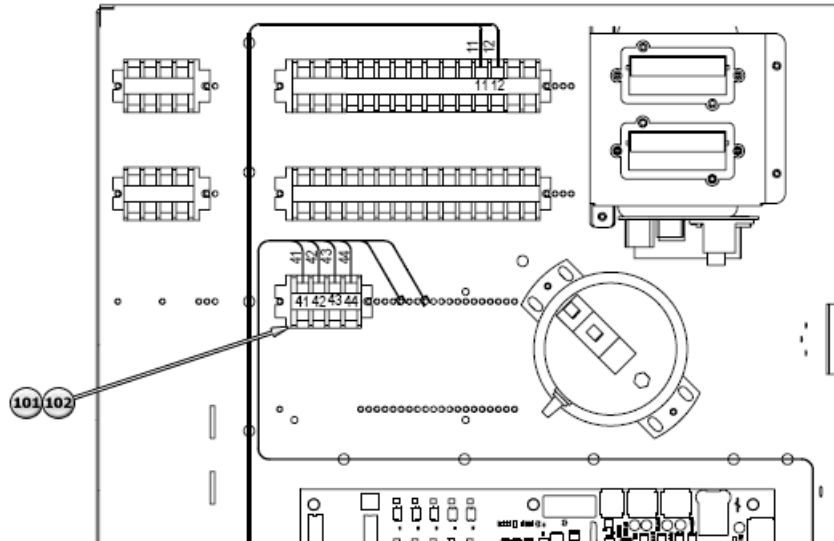
Item	Part Number	Description	028	035	042	053	070	077	105
25	181090P1	HIGH TEMPERATURE SENSOR	1	1	1	1	1	1	1

10.5. Compressor Overload Alarm



Item	Part Number	Description	028	035	042	053	070	077	105
60	124547P1	OVERLOAD RELAY W/B MNT 32A C-H	2	2	2	2	2	2	2

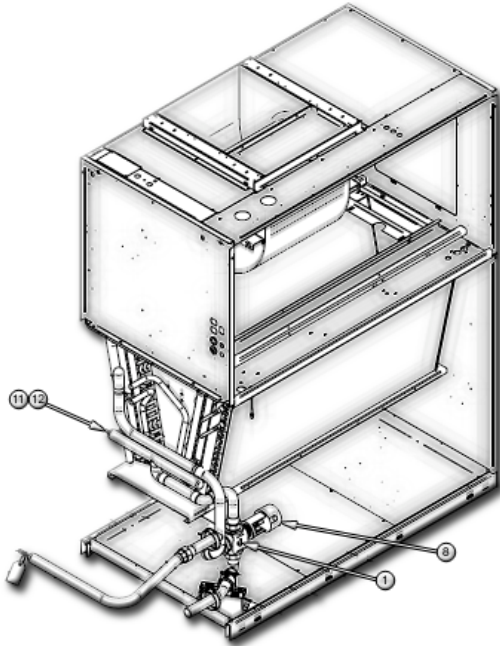
10.6. Analog Input Wires



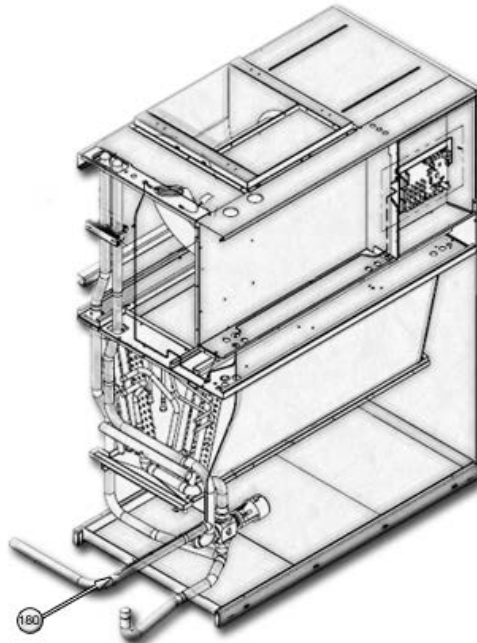
Item	Part Number	Description	028	035	042	053	070	077	105
101	132487P1	TERMLSTRIP SECTION 1 POS	4	4	4	4	4	5	4
102	132487P2	TERMLSTRIP SECTION END BARRIER	1	1	1	1	1	1	1

11. Piping Section

11.1. Piping Assembly



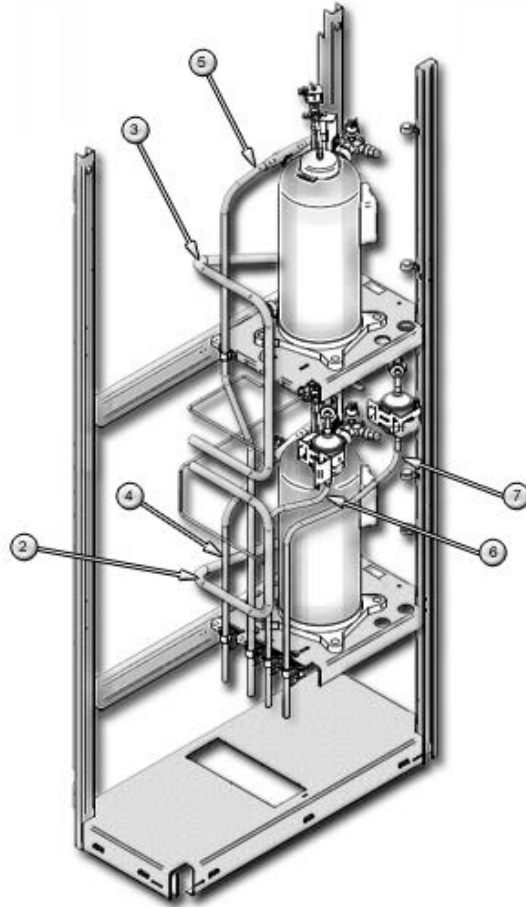
Piping Assembly



Aquastat Sensor Upflow

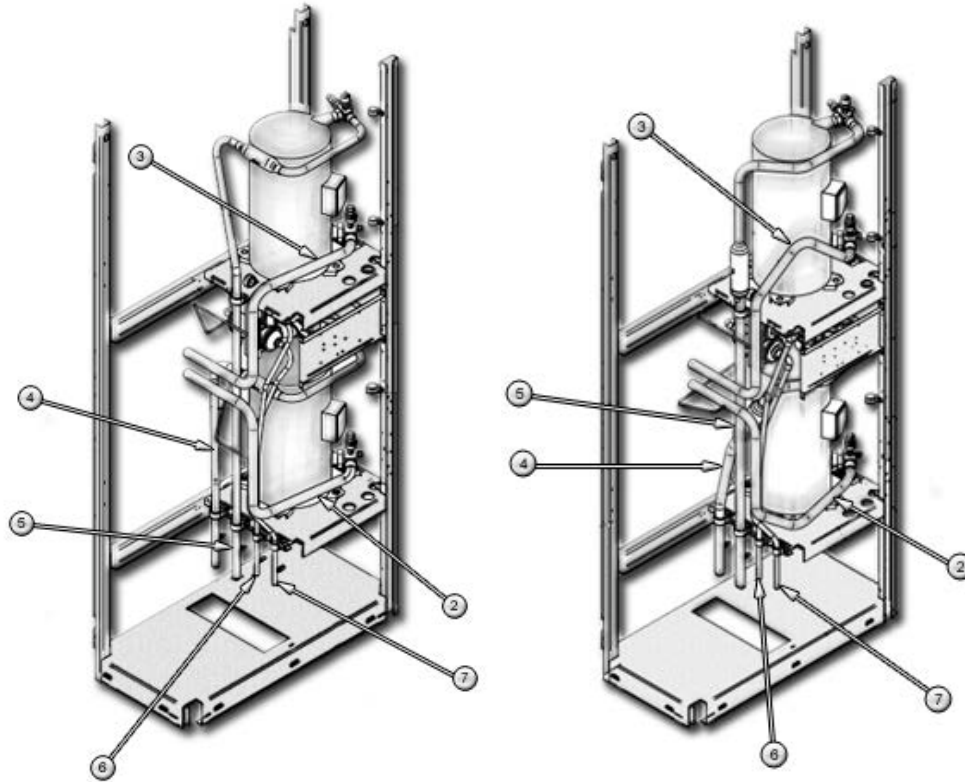
Item	Part Number	Description	028	035	042	053	070	077	105
1	159009P2	VALVE 1-1/2" 2WAY UNION BODY	1	1	1				
	159009P3	VALVE 2" 2WAY UNION BODY				1	1	1	1
	159010P2	VALVE 1-1/2" 3WAY UNION BODY	1	1	1				
	159010P3	VALVE 2" 3WAY UNION BODY				1	1	1	1
8	146350P1	MOTOR MOD 24VAC 50/60HZ SML JC	1	1	1	1	1	1	1
	146351P1	MOTOR MOD 24VAC 50/60HZ LRG JC	1	1	1	1	1	1	1
11	P-391B	VALVE ACCESS BODY 1/4 EXT 1"	1	1	1	1	1	1	1
	P02-0270	VALVE ACCESS BODY 1/4X SWT	1	1	1	1	1	1	2
			1	1	1	1	1	1	2
180	148039P1	SENSOR GLYCOL W/PLUG	1	1	1	1	1	1	1

11.2. Scroll Air 8-12T



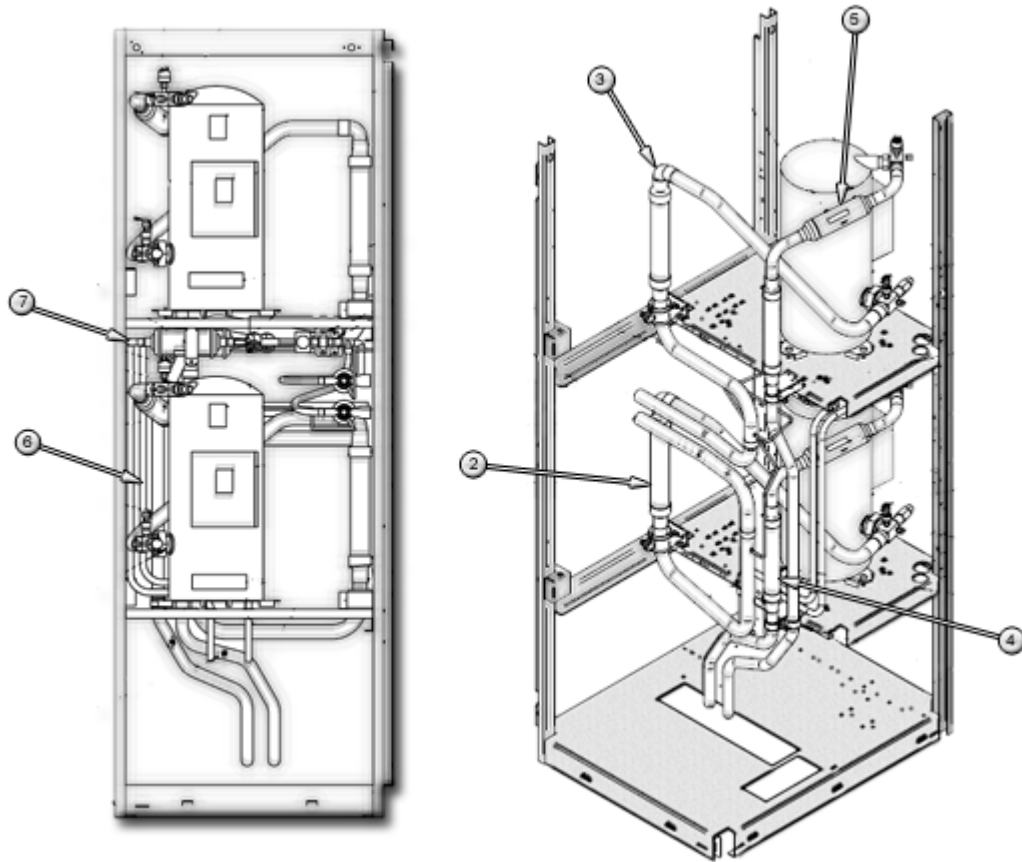
Item	Description
2	Suction Assembly #2
3	Suction Assembly #1
4	Discharge Assembly #2
5	Discharge Assembly #1
6	Liquid Assembly #2
7	Liquid Assembly #1

11.3. Scroll Air 15-22T



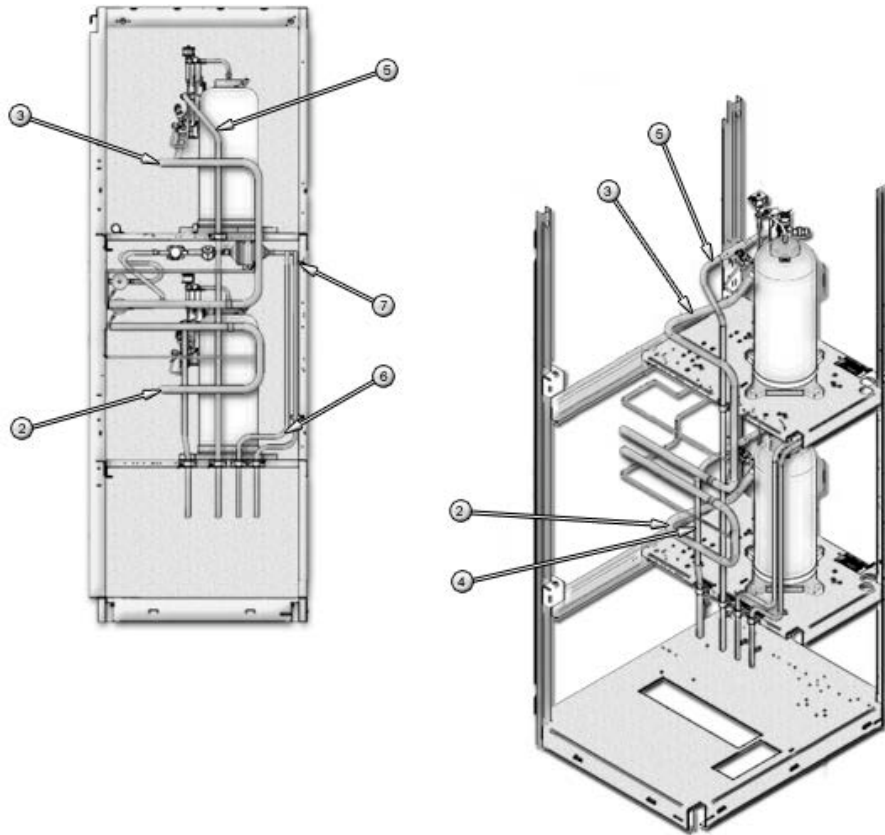
Item	Description
2	Suction Assembly #2
3	Suction Assembly #1
4	Discharge Assembly #2
5	Discharge Assembly #1
6	Liquid Assembly #2
7	Liquid Assembly #1

11.4. Scroll AWG 30T



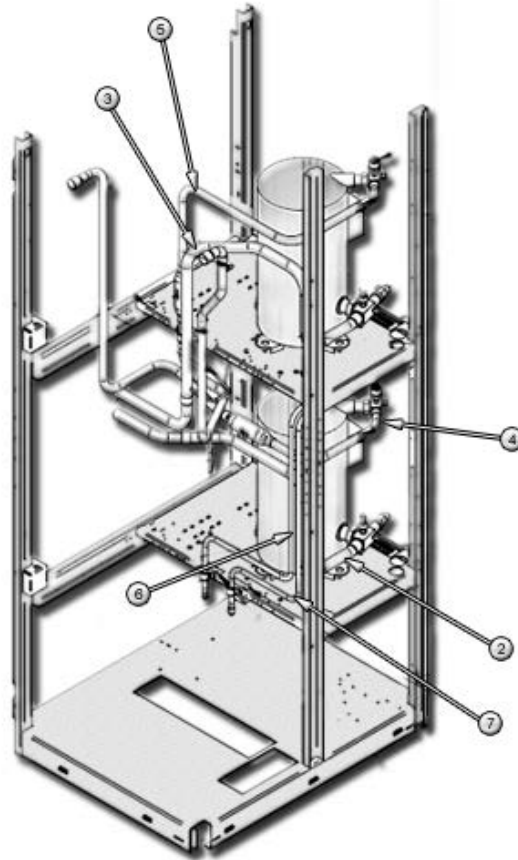
Item	Description
2	Suction Assembly Scroll #2
3	Suction Assembly Scroll #1
4	Discharge Assembly Scroll #2
5	Discharge Assembly Scroll #1
6	Liquid Assembly #2
7	Liquid Assembly #1

11.5. Scroll WG 8-12T



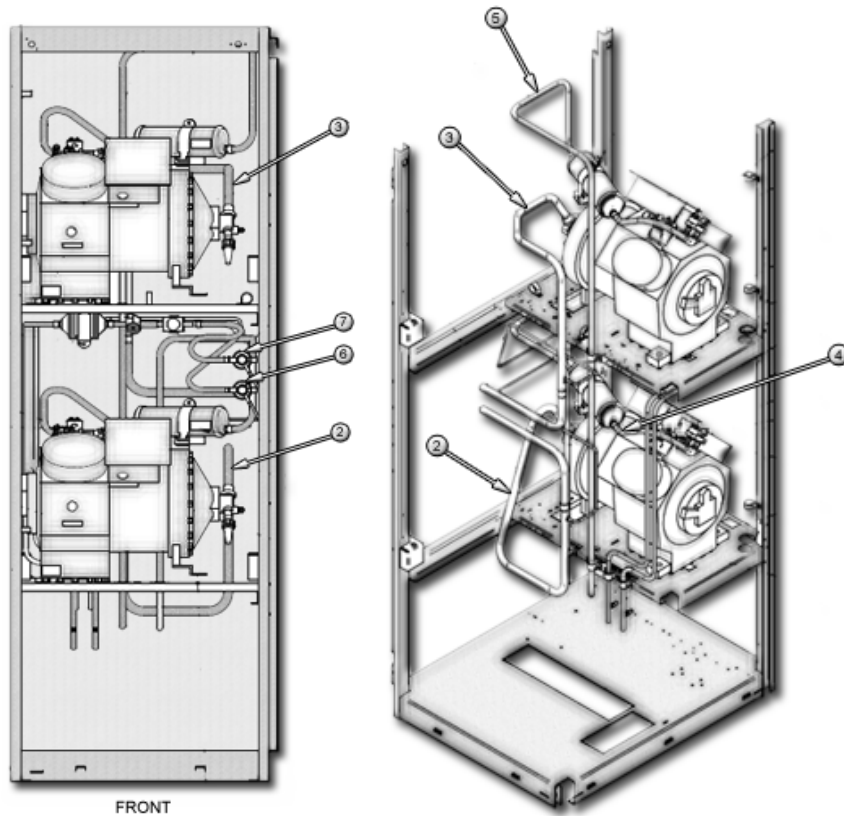
Item	Description
2	Suction Assembly #2
3	Suction Assembly #1
4	Discharge Assembly #2
5	Discharge Assembly
6	Liquid Assembly #2
7	Liquid Assembly #1

11.6. Scroll W/G 15-22T



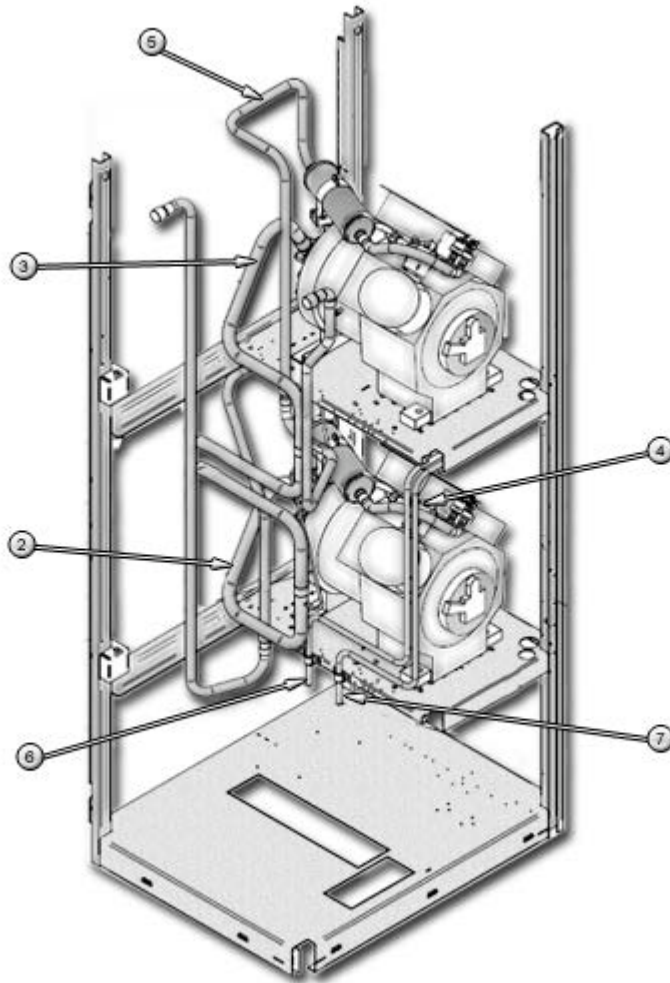
Item	Description
2	Suction Assembly #2
3	Suction Assembly #1
4	Discharge Assembly #2
5	Discharge Assembly #1
6	Liquid Assembly #2
7	Liquid Assembly #1

11.7. Semi 8-12T



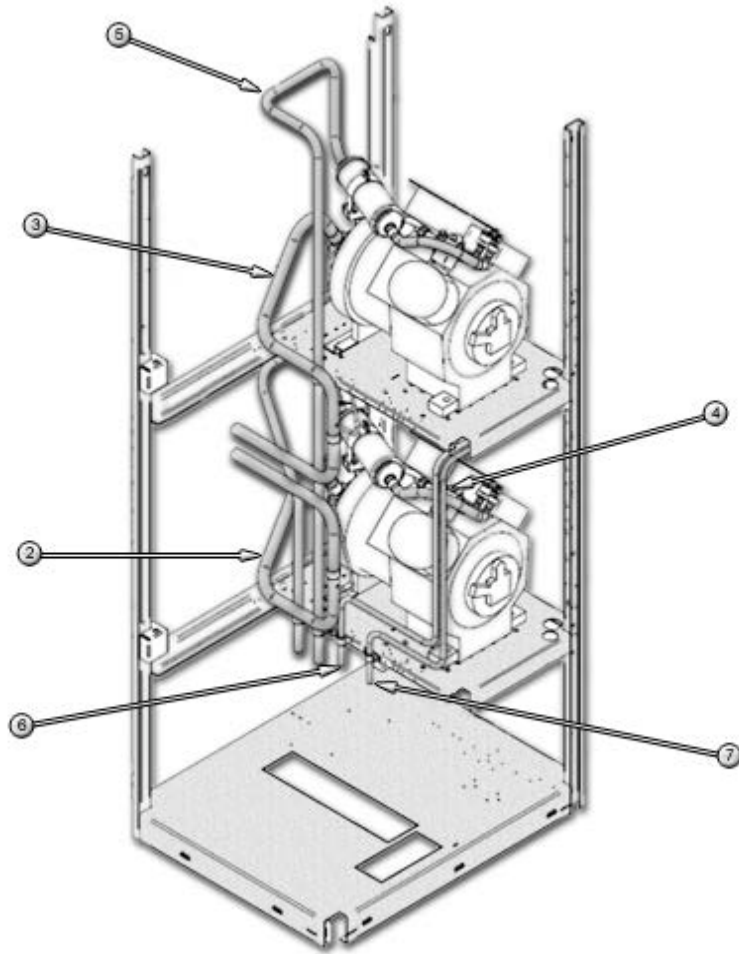
Item	Description
2	Suction Assembly #2
3	Suction Assembly #1
4	Discharge Assembly #2
5	Discharge Assembly #1
6	Liquid Assembly #2
7	Liquid Assembly #1

11.8. Semi 15-22T



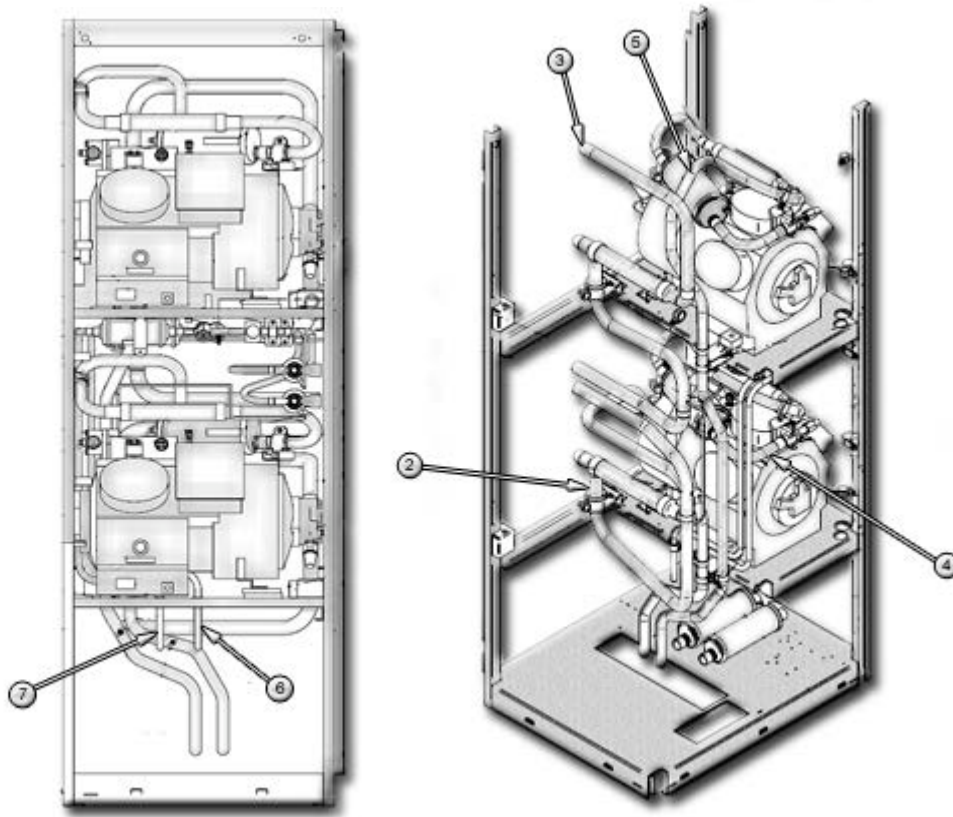
Item	Description
2	Suction Assembly #1
3	Suction Assembly #2
4	Discharge Assembly #2
5	Discharge Assembly #1
6	Liquid Assembly #2
7	Liquid Assembly #1

11.9. Semi Air 15-22T



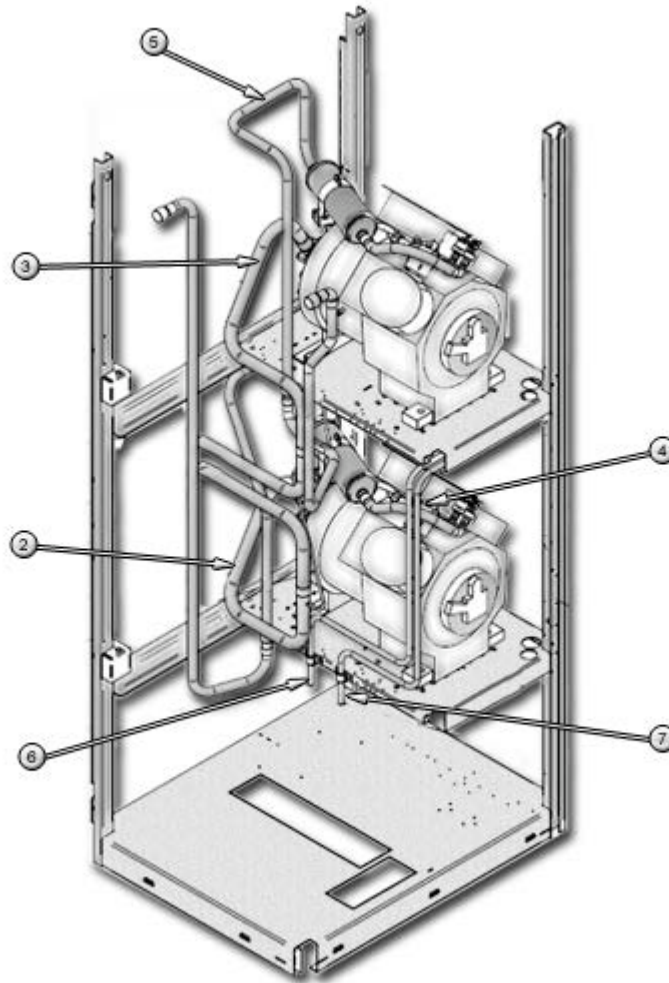
Item	Description
2	Suction Assembly #2
3	Suction Assembly #1
4	Discharge Assembly #2
5	Discharge Assembly #1
6	Liquid Assembly #2
7	Liquid Assembly #1

11.10. Piping Semi AWG 30T



Item	Description
2	Suction Assembly Semi #2
3	Suction Assembly Semi #1
4	Discharge Assembly Semi #2
5	Discharge Assembly Semi #1
6	Liquid Assembly #2
7	Liquid Assembly #1

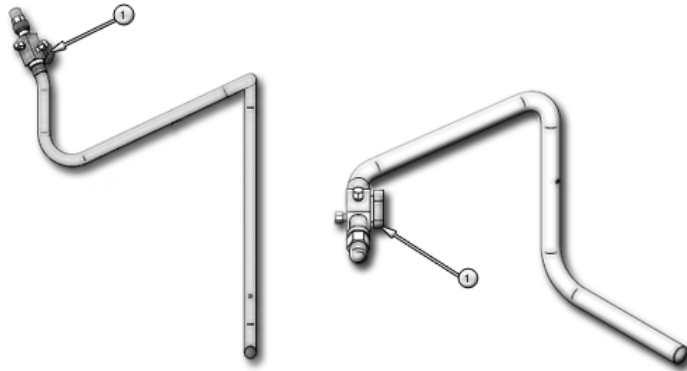
11.11. Semi W/G 15-22T



Item	Description
2	Suction Assembly #2
3	Suction Assembly #1
4	Discharge Assembly #2
5	Discharge Assembly #1
6	Liquid Assembly #2
7	Liquid Assembly #1

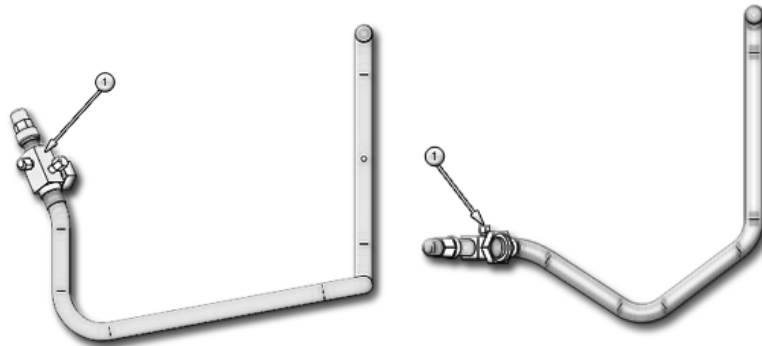
11.12. Piping Line Assemblies

11.12.1. Suction Assembly 1



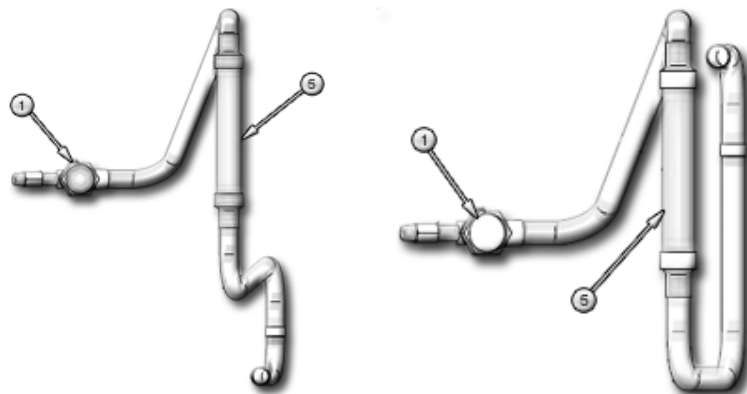
Item	Part Number	Description	028	035	042	053	070	077	105
1	182132P1	VALVE ROTOLOCK 1-3/4-12X1-1/8	1	1	1	1	1	1	1

11.12.2. Suction Assembly 2



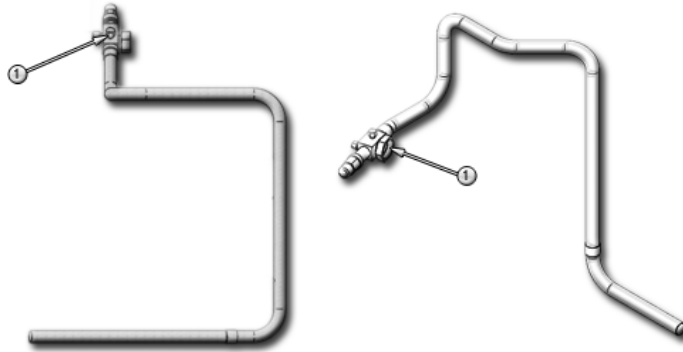
Item	Part Number	Description	028	035	042	053	070	077	105
1	151141P2	VALVE ROTOLOCK 7/8"X1-1/4"-12	1	1	1	1	1	1	1

11.12.3. Suction Scroll Assemblies 1 & 2 (AWG)



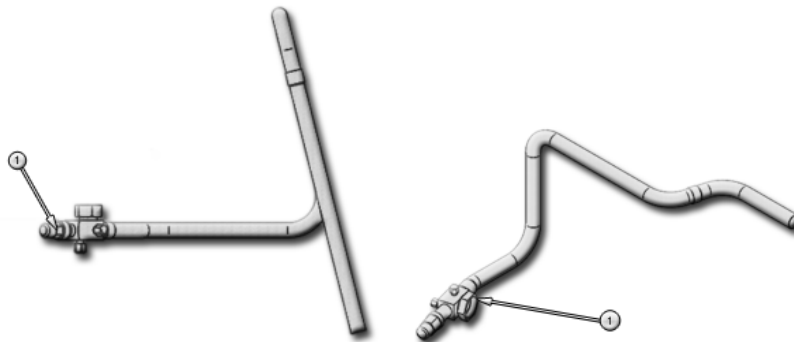
Item	Part Number	Description	105
1	182132P5	VALVE ROTOLOCK 1-3/4-12X 1-3/8	1
5	P05-169C	ELIMINATOR VIB ISOL 1-3/8 OD	1

11.12.4. Suction Scroll Assembly 1 (WG)



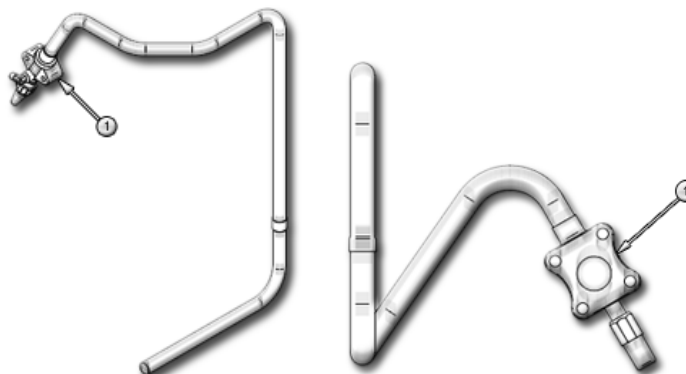
Item	Part Number	Description	028	035	042	053	070	077
1	151141P2	VALVE ROTOLock 7/8"X1-1/4"-12	1	1	1	1	1	1

11.12.5. Suction Scroll Assembly 2 (WG)



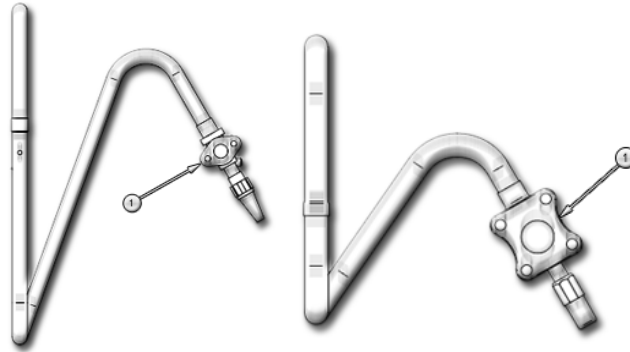
Item	Part Number	Description	028	035	042	053	070	077
1	151141P2	VALVE ROTOLock 7/8"X1-1/4"-12	1	1	1	1	1	1

11.12.6. Suction Assembly Semi 1



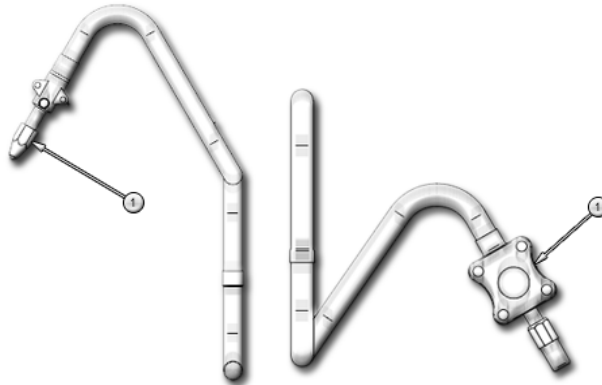
Item	Part Number	Description	028	035	042	053	070	077
1	C-0910	VALVE COMP SERV 7/8SWT	1	1	1			
	C-0890	VALVE COMP SERV SUCTN 1-1/8SWT					1	1
	C-0880	VALVE COMP SERV 1-1/8SWT				1		

11.12.7. Suction Assembly Semi 2



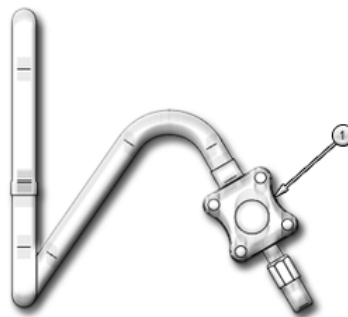
Item	Part Number	Description	028	035	042	053	070	077
1	C-0910	VALVE COMP SERV 7/8SWT	1	1	1			
	C-0890	VALVE COMP SERV SUCTN 1-1/8SWT					1	1

11.12.8. Suction Assembly Semi Air 1



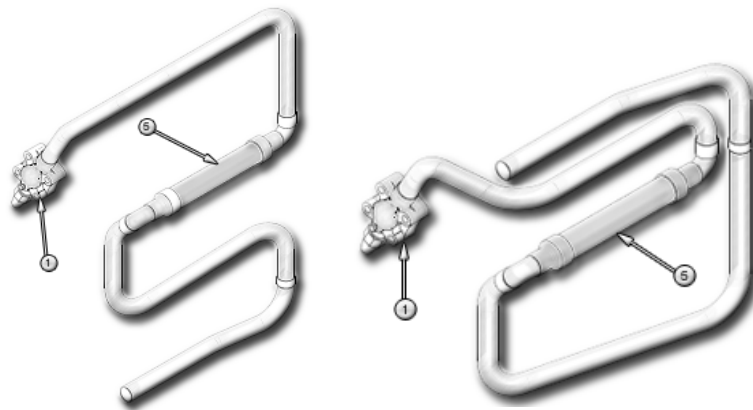
Item	Part Number	Description	028	035	042	053	070	077
1	C-0880	VALVE COMP SERV 1-1/8SWT				1		
	C-0890	VALVE COMP SERV SUCTN 1-1/8SWT					1	1

11.12.9. Suction Assembly Semi Air 2



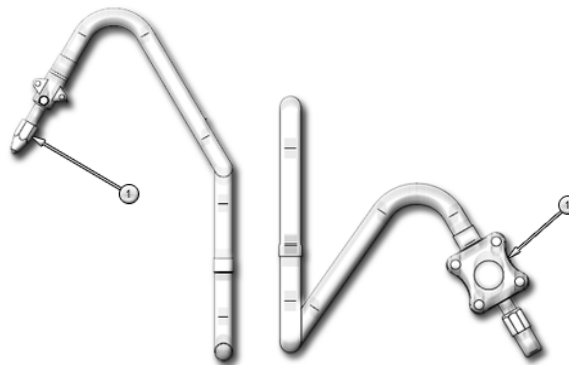
Item	Part Number	Description	028	035	042	053	070	077
1	C-0880	VALVE COMP SERV 1-1/8SWT				1		
	C-0890	VALVE COMP SERV SUCTN 1-1/8SWT					1	1

11.12.10.Suction Assembly Semi AWG 1 and 2



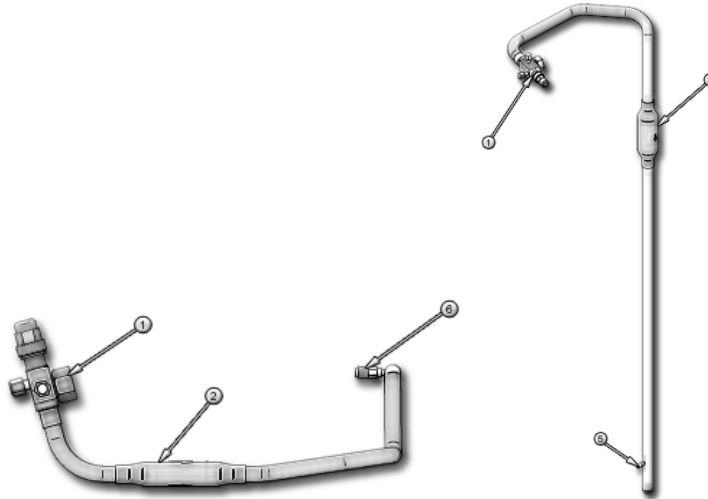
Item	Part Number	Description	105
1	1A18898P1	VALVE COMP SERV 1-3/8ID	1
5	P05-169C	ELIMINATOR VIB ISOL 1-3/8 OD	1

11.12.11.Suction Assembly Semi WG 1 and 2



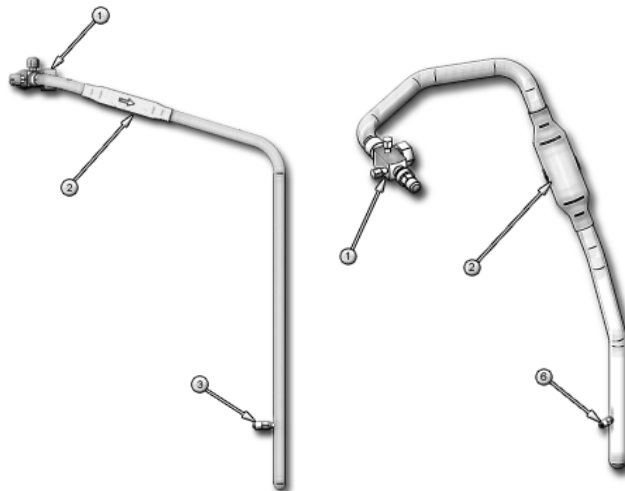
Item	Part Number	Description	053	070	077
1	C-0880	VALVE COMP SERV 1-1/8SWT	1	1	1
	182132P1	VALVE ROTOLock 1-3/4-12X1-1/8	1	1	1

11.12.12. Discharge Scroll Air Assembly 1



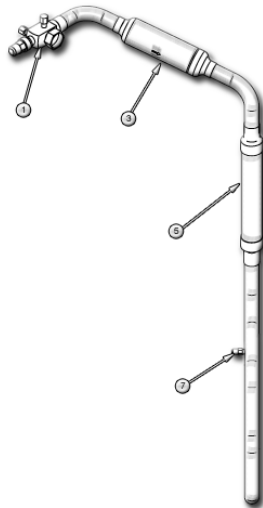
Item	Part Number	Description	028	035	042	053	070	077	105
1	151141P1	VALVE ROTOLOCK 5/8"X1"-14UNS	1	1	1				
	151141P3	VALVE ROTOLOCK 5/8"X1-1/4"-12			1				
2	W-0093	VALVE CHECK 5/8" OD	1	1	1				
3	1C23493P1	VALVE CHECK 1-1/8" OD					1	1	
	W-0090	VALVE CHECK 7/8" OD				1			
5/6	P02-0270	VALVE ACCESS BODY 1/4X SWT	1	1	1	1	1	1	

11.12.13. Discharge Scroll Air Assembly 2



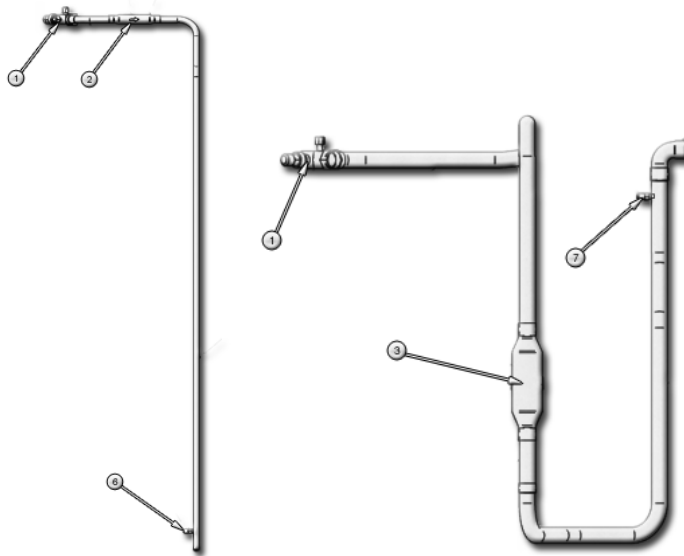
Item	Part Number	Description	028	035	042	053	070	077	105
1	151141P1	VALVE ROTOLOCK 5/8"X1"-14UNS	1	1	1				
	151141P3	VALVE ROTOLOCK 5/8"X1-1/4"-12			1				
	134136P1	VALVE ROTOLOCK 1-1/4-12X1-1/8					1	1	
	182132P2	VALVE ROTOLOCK 1-1/4-12X 7/8				1			
2	1C23493P1	VALVE CHECK 1-1/8" OD					1	1	
	W-0090	VALVE CHECK 7/8" OD				1			
	W-0093	VALVE CHECK 5/8" OD	1	1	1				
3/6	P02-0270	VALVE ACCESS BODY 1/4X SWT	1	1	1	1	1	1	

11.12.14. Discharge Scroll Assembly 1 and 2 (AWG)



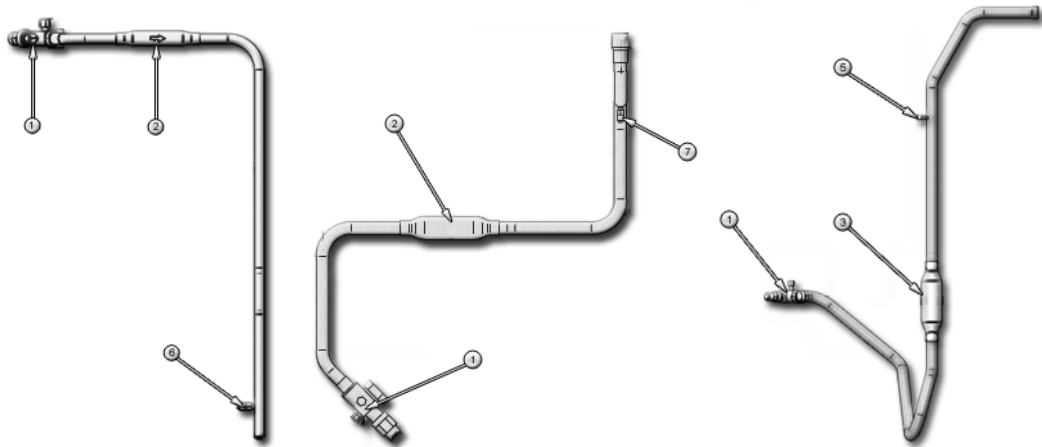
Item	Part Number	Description	105
1	134136P1	VALVE ROTOLOCK 1-1/4-12X1-1/8	1
3	1C23493P1	VALVE CHECK 1-1/8" OD	1
5	P05-169D	ELIMINATOR VIB ISOL 1-1/8 OD	1
7	P02-0270	VALVE ACCESS BODY 1/4X SWT	1

11.12.15. Discharge Scroll Assembly 1 (WG)



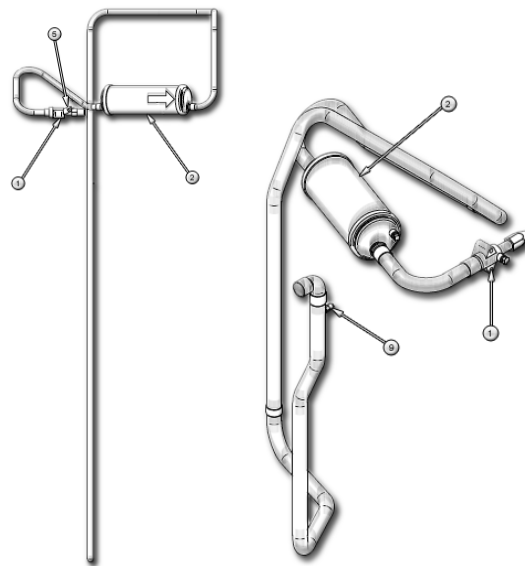
Item	Part Number	Description	028	035	042	053	070	077	105
1	151141P1	VALVE ROTOLOCK 5/8"X1"-14UNS	1	1	1				
	151141P3	VALVE ROTOLOCK 5/8"X1-1/4"-12			1				
	134136P1	VALVE ROTOLOCK 1-1/4-12X1-1/8					1	1	
	182132P2	VALVE ROTOLOCK 1-1/4-12X 7/8				1			
2	W-0093	VALVE CHECK 5/8" OD	1	1	1				
3	1C23493P1	VALVE CHECK 1-1/8" OD					1	1	
	W-0090	VALVE CHECK 7/8" OD				1			
6/7	P02-0270	VALVE ACCESS BODY 1/4X SWT	1	1	1	1	1	1	

11.12.16. Discharge Scroll Assembly 2 (WG)



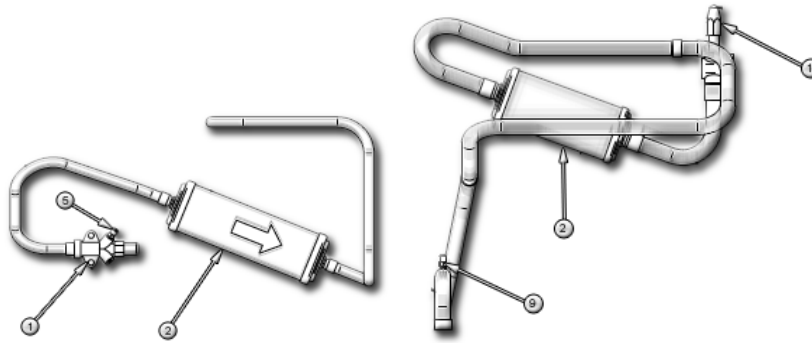
Item	Part Number	Description	028	035	042	053	070	077	105
1	151141P1	VALVE ROTOLOCK 5/8"X1"-14UNS	1	1	1				
	151141P3	VALVE ROTOLOCK 5/8"X1-1/4"-12			1				
	182132P2	VALVE ROTOLOCK 1-1/4-12X 7/8				1			
	134136P1	VALVE ROTOLOCK 1-1/4-12X1-1/8					1	1	
2	W-0093	VALVE CHECK 5/8" OD	1	1	1				
	W-0090	VALVE CHECK 7/8" OD				1			
3	1C23493P1	VALVE CHECK 1-1/8" OD					1	1	
5	P02-0270	VALVE ACCESS BODY 1/4X SWT	1	1	1	1	1	1	

11.12.17. Discharge Semi Assembly 1



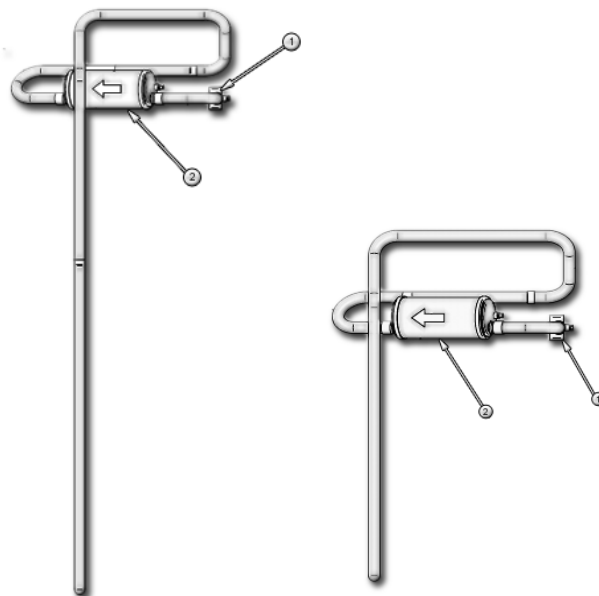
Item	Part Number	Description	028	035	042	053	070	077	105
1	C-0930	VALVE COMP SERV 5/8SWT	1	1	1				
	C-0880	VALVE COMP SERV 1-1/8SWT					1	1	
2	123575P1	MUFFLER DISCHARGE 5/8"OD HIEFF	1	1	1				
	123575P4	MUFFLER DISCHARGE 1-1/8"OD HI					1	1	
5	P-0610	ADAPTER BRASS 1/4FLRX1/8MPT	1	1	1				
9	P02-0270	VALVE ACCESS BODY 1/4X SWT					1	1	

11.12.18. Discharge Semi Assembly 2



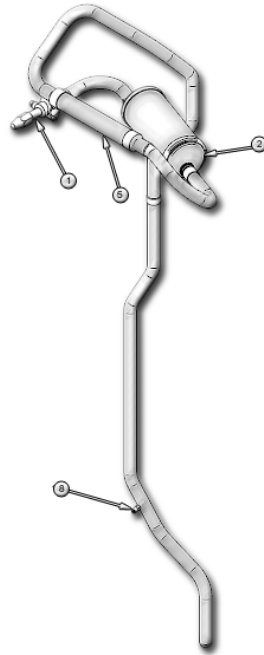
Item	Part Number	Description	028	035	042	053	070	077	105
1	C-0930	VALVE COMP SERV 5/8SWT	1	1	1				
	C-0880	VALVE COMP SERV 1-1/8SWT					1	1	
2	123575P1	MUFFLER DISCHARGE 5/8"OD HIEFF	1	1	1				
	123575P4	MUFFLER DISCHARGE 1-1/8"OD HI					1	1	
9	P02-0270	VALVE ACCESS BODY 1/4X SWT					1	1	

11.12.19. Discharge Semi Air Assembly 1 and 2



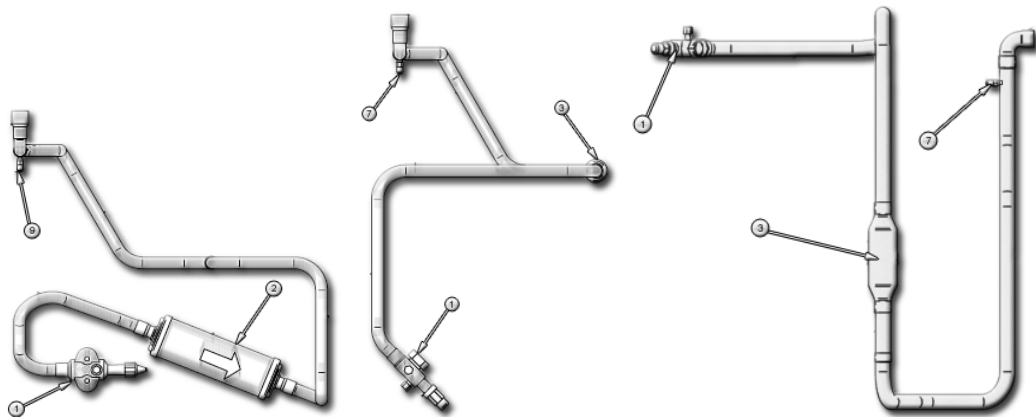
Item	Part Number	Description	028	035	042	053	070	077	105
1	C-0880	VALVE COMP SERV 1-1/8SWT					1	1	
	C-0870	VALVE COMP SERV DISCH 7/8SWT				1			
2	123575P4	MUFFLER DISCHARGE 1-1/8"OD HI					1	1	
	123575P2	MUFFLER DISCHARGE 7/8"OD HIEFF				1			

11.12.20. Discharge Semi Air Assembly 1 and 2 (AWG)



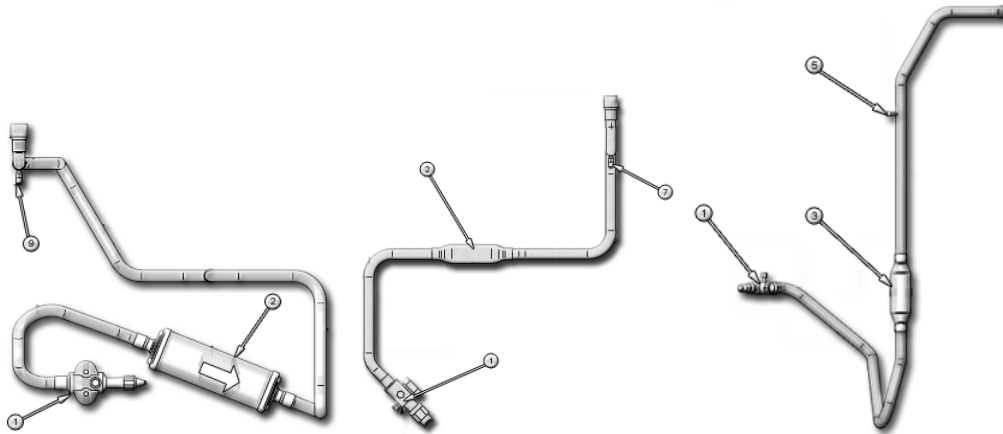
Item	Part Number	Description	105
1	C-0880	VALVE COMP SERV 1-1/8SWT	1
2	123575P4	MUFFLER DISCHARGE 1-1/8"OD HI	1
5	P05-169D	ELIMINATOR VIB ISOL 1-1/8 OD	1
8	P02-0270	VALVE ACCESS BODY 1/4X SWT	1

11.12.21. Discharge Semi Air Assembly 1 (WG)



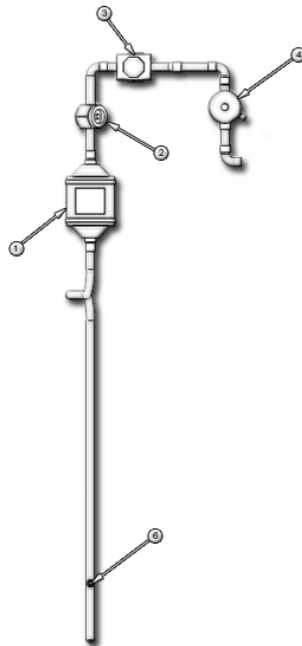
Item	Part Number	Description	028	035	042	053	070	077	105
1	182132P2	VALVE ROTOLock 1-1/4-12X 7/8				1			
	C-0870	VALVE COMP SERV DISCH 7/8SWT				1			
2	123575P2	MUFFLER DISCHARGE 7/8"OD HIEFF				1			
3	W-0090	VALVE CHECK 7/8" OD				1			
	1C23493P1	VALVE CHECK 1-1/8" OD					1	1	
7	P02-0270	VALVE ACCESS BODY 1/4X SWT				1	1	1	

11.12.22. Discharge Semi Air Assembly 2 (WG)



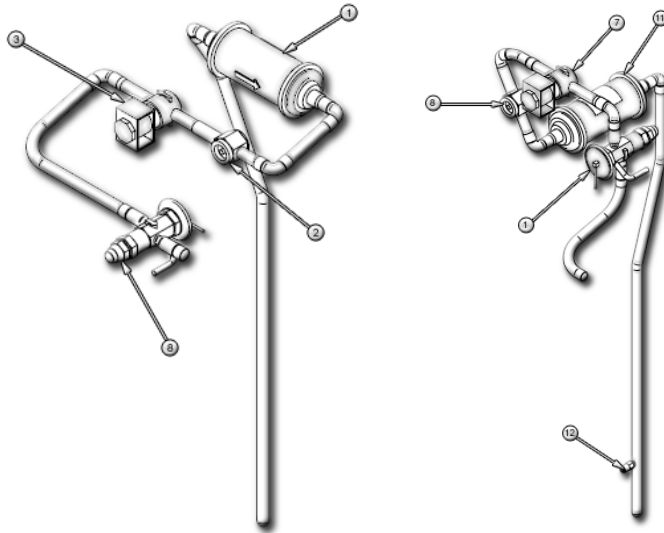
Item	Part Number	Description	028	035	042	053	070	077	105
1	134136P1	VALVE ROTOLOCK 1-1/4-12X1-1/8					1	1	
	182132P2	VALVE ROTOLOCK 1-1/4-12X 7/8				1			
2	123575P2	MUFFLER DISCHARGE 7/8"OD HIEFF				1			
	W-0090	VALVE CHECK 7/8" OD				1			
3	1C23493P1	VALVE CHECK 1-1/8" OD					1	1	
5	P02-0270	VALVE ACCESS BODY 1/4X SWT				1	1	1	

11.12.23. Liquid Assembly 1 and 2 (Air)



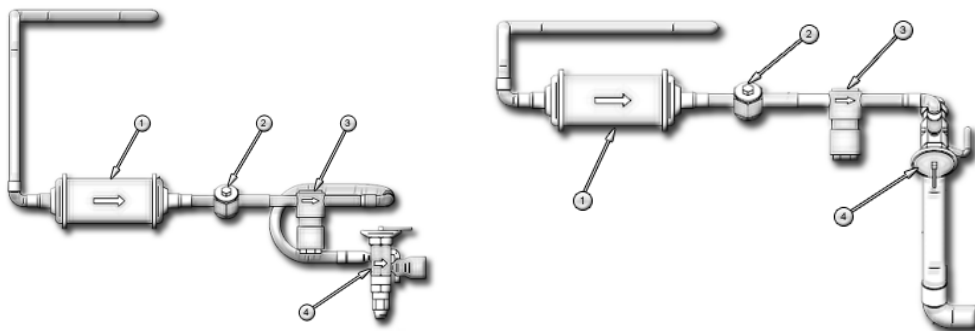
Item	Part Number	Description	028	035	042
1	180908P1	FILTER/DRIER 164-S 1/2"ODF	1	1	1
2	179863P1	INDICATOR LIQ 1/2ODM X 1/2ODF	1	1	1
3	P-0070	VALVE SOLND 1/2ODM X 1/2ODF	1	1	1
4	178157P2	VALVE EXP 1/2X1/2/1/4 ODF 6T	1	1	
6	P02-0270	VALVE ACCESS BODY 1/4X SWT	1	1	1

11.12.24. Liquid Assembly 1 and 2 (Air 15")



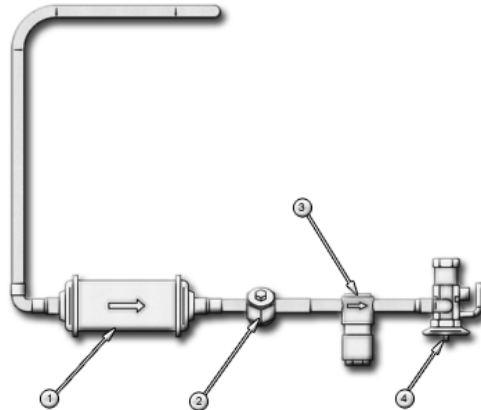
Item	Part Number	Description	053	070	077
1	180909P1	FILTER/DRIER 304-S 1/2"ODF	1		
	180957P2	VLV EXP 5/8X5/8X1/4ODF 11T		1	1
2	179863P1	INDICATOR LIQ 1/2ODM X 1/2ODF	1		
3	P-0080	VALVE SOLND 1/2MXF 24V-50/60	1		
7	P-2870	VALVE SOLND 5/8MXF 24V-50/60		1	1
8	179863P1	INDICATOR LIQ 5/8ODM X 5/8 ODF		1	1
	179869P1	INDICATOR LIQ 5/8ODM X 5/8 ODF		1	1
	180723P2	VALVE EXP 1/2X1/2/1/4 ODF 8T	1		
11	180910P1	FILTER/DRIER 305-S 5/8"ODF		1	1
12	P02-0270	VALVE ACCESS BODY 1/4X SWT		1	1

11.12.25. Liquid Assembly 1 and 2 (AWG)



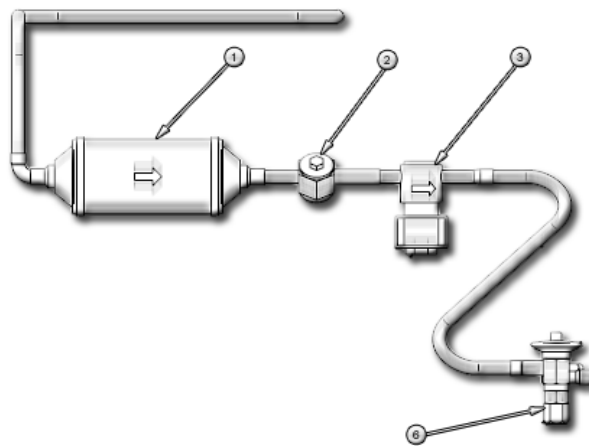
Item	Part Number	Description	105
1	P-2890	FILTER/DRIER 5/8ODF SLDR	1
	180910P1	FILTER/DRIER 305-S 5/8"ODF	1
2	179869P1	INDICATOR LIQ 5/8ODM X 5/8 ODF	1
3	P-2870	VALVE SOLND 5/8MXF 24V-50/60	1
4	183604P4	VLV EXP 5/8X1-1/8X1/4ODF 15T	1

11.12.26. Liquid Assembly 1 (WG)



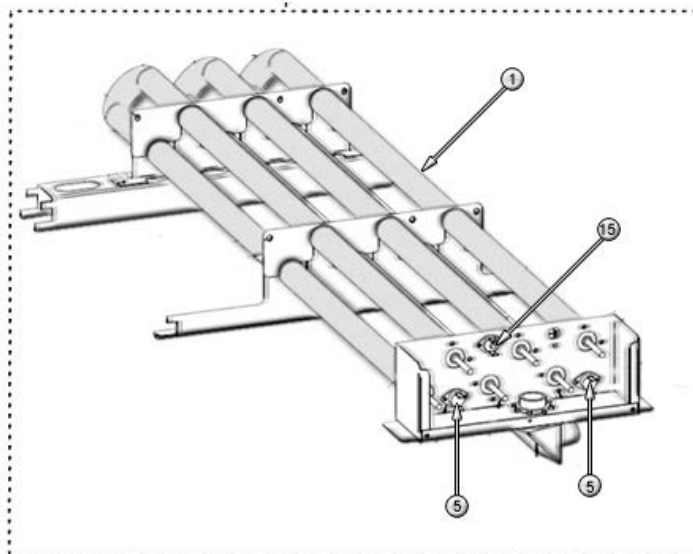
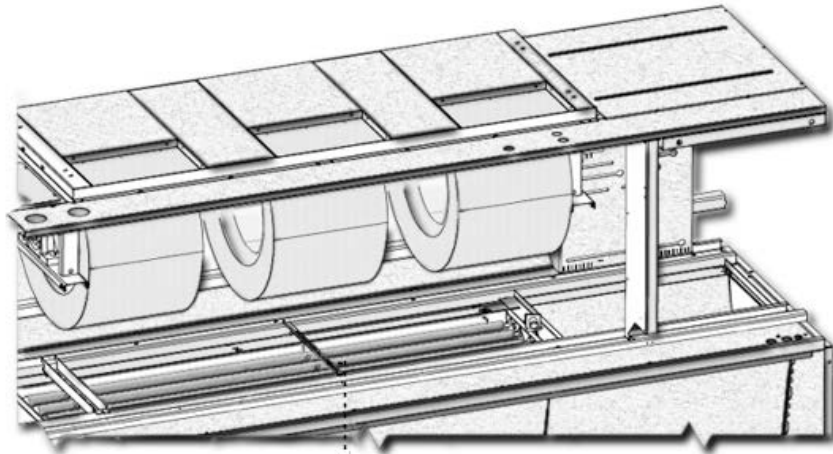
Item	Part Number	Description	053	070	077
1	180909P1	FILTER/DRIER 304-S 1/2"ODF	1		
	180910P1	FILTER/DRIER 305-S 5/8"ODF		1	1
	P-2890	FILTER/DRIER 5/8ODF SLDR		1	1
2	179863P1	INDICATOR LIQ 5/8ODM X 5/8 ODF	1		
	179869P1	INDICATOR LIQ 5/8ODM X 5/8 ODF		1	1
3	P-2870	VALVE SOLND 5/8MXF 24V-50/60		1	1
	P-0080	VALVE SOLND 1/2MXF 24V-50/60	1		
4	180723P1	VALVE EXP 1/2X1/2/1/4 ODF 8T	1		
	180723P2	VALVE EXP 1/2X1/2/1/4 ODF 8T	1		
	191053P2	VLV EXP 5/8X5/8X1/4ODF 11T	1		
	180957P1	VLV EXP 5/8X5/8X1/4ODF 11T		1	1
	180957P2	VLV EXP 5/8X5/8X1/4ODF 11T		1	1

11.12.27. Liquid Assembly 2 (WG)



Item	Part Number	Description	053	070	077
1	180909P1	FILTER/DRIER 304-S 1/2"ODF	1		
	180910P1	FILTER/DRIER 305-S 5/8"ODF		1	1
	P-2890	FILTER/DRIER 5/8ODF SLDR		1	1
2	179863P1	INDICATOR LIQ 5/8ODM X 5/8 ODF	1		
	179869P1	INDICATOR LIQ 5/8ODM X 5/8 ODF		1	1
3	P-2870	VALVE SOLND 5/8MXF 24V-50/60		1	1
	P-0080	VALVE SOLND 1/2MXF 24V-50/60	1		
4	180723P1	VALVE EXP 1/2X1/2/1/4 ODF 8T	1		
	180723P2	VALVE EXP 1/2X1/2/1/4 ODF 8T	1		
	191053P2	VLV EXP 5/8X5/8X1/4ODF 11T	1		
	180957P1	VLV EXP 5/8X5/8X1/4ODF 11T		1	1
	180957P2	VLV EXP 5/8X5/8X1/4ODF 11T		1	1

12. Reheat Section



Item	Part Number	Description	Type	028	035	042	053	070	077	105	
1	148367P16	HEATER 08.3KW 208V SS 304 S/F	1Stage				1	1	1		
	148367P17	HEATER 08.3KW 230V SS 304 S/F					1	1	1		
	148367P18	HEATER 08.3KW 400V SS 304 S/F					1	1	1		
	148367P19	HEATER 08.3KW 460V SS 304 S/F					1	1	1		
	148367P20	HEATER 08.3KW 575V SS 304 S/F					1	1	1		
	148367P21	HEATER 09.5KW 208V SS 304 S/F									1
	148367P22	HEATER 10.0KW 230V SS 304 S/F									1
	148367P23	HEATER 10.0KW 400V SS 304 S/F									1
	148367P24	HEATER 10.0KW 460V SS 304 S/F									1
	148367P25	HEATER 10.0KW 575V SS 304 S/F								1	
	148367P1	HEATER 03.3KW 208V SS 304 S/F	3Stage	3	3	3					
	148367P2	HEATER 03.3KW 230V SS 304 S/F		3	3	3					
	148367P3	HEATER 03.3KW 400V SS 304 S/F		3	3	3					
	148367P4	HEATER 03.3KW 460V SS 304 S/F		3	3	3					
	148367P5	HEATER 03.3KW 575V SS 304 S/F		3	3	3					
	148367P6	HEATER 05.0KW 208V SS 304 S/F		3	3	3	3	3	3		
	148367P7	HEATER 05.0KW 230V SS 304 S/F		3	3	3	3	3	3		
	148367P8	HEATER 05.0KW 400V SS 304 S/F		3	3	3	3	3	3		
	148367P9	HEATER 05.0KW 460V SS 304 S/F		3	3	3	3	3	3		

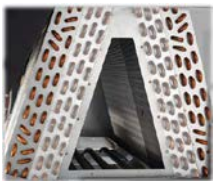
Item	Part Number	Description	Type	028	035	042	053	070	077	105	
1	148367P10	HEATER 05.0KW 575V SS 304 S/F	3Stage	3	3	3	3	3	3		
	148367P11	HEATER 06.6KW 208V SS 304 S/F									3
	148367P12	HEATER 06.6KW 230V SS 304 S/F									3
	148367P13	HEATER 06.6KW 400V SS 304 S/F									3
	148367P14	HEATER 06.6KW 460V SS 304 S/F									3
	148367P15	HEATER 06.6KW 575V SS 304 S/F									3
	148367P16	HEATER 08.3KW 208V SS 304 S/F					3	3	3		
	148367P17	HEATER 08.3KW 230V SS 304 S/F					3	3	3		
	148367P18	HEATER 08.3KW 400V SS 304 S/F					3	3	3		
	148367P19	HEATER 08.3KW 460V SS 304 S/F					3	3	3		
	148367P20	HEATER 08.3KW 575V SS 304 S/F					3	3	3		
	148367P21	HEATER 09.5KW 208V SS 304 S/F									3
	148367P23	HEATER 10.0KW 400V SS 304 S/F									3
	148367P41	HEATER 09.5KW 208V SS 304 S/F									3
	148367P42	HEATER 10.0KW 230V SS 304 S/F									3
	148367P43	HEATER 10.0KW 400V SS 304 S/F								3	
	148367P44	HEATER 10.0KW 460V SS 304 S/F								3	
	148367P45	HEATER 10.0KW 575V SS 304 S/F								3	
	148367P6	HEATER 05.0KW 208V SS 304 S/F	SCR Reheat	3	3	3					
	148367P7	HEATER 05.0KW 230V SS 304 S/F		3	3	3					
	148367P8	HEATER 05.0KW 400V SS 304 S/F		3	3	3					
	148367P9	HEATER 05.0KW 460V SS 304 S/F		3	3	3					
	148367P21	HEATER 09.5KW 208V SS 304 S/F									3
	148367P23	HEATER 10.0KW 400V SS 304 S/F									3
	148367P41	HEATER 09.5KW 208V SS 304 S/F									3
148367P42	HEATER 10.0KW 230V SS 304 S/F									3	
148367P43	HEATER 10.0KW 400V SS 304 S/F									3	
148367P44	HEATER 10.0KW 460V SS 304 S/F									3	
148367P45	HEATER 10.0KW 575V SS 304 S/F								3		
5	R-0970	SAFETY SWT THERM. 115F	NA	2	2	2	2	2	2	2	
15	181482P1	SAFETY SWT THERM 150F MANRESET	NA	1	1	1	1	1	1	1	

13. Parts Gallery

Blower Section

			
1C25524P2	1C29077P2	136133P3	1A32397P3
			
179582P1	180327P1	181174P1	183784P1
			
184179P1	198837P1	B02-0190	B-0650
			
S13-0140			

Coil Section


190556G2L

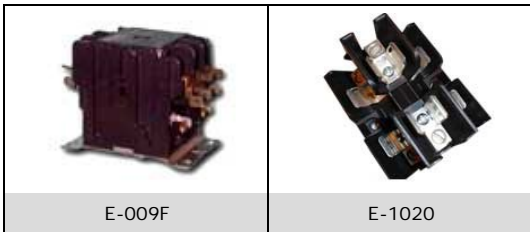
Compressor Section

			
123575P3	134142P1	178545P1	180970P1
			
181388P1	190417P1	C05-0360	C06-0010
			
C-087A	C-0840	C-0860	C-1310
			
131120P1	178013P1	P02-0290	P-0620
			
W-0320			

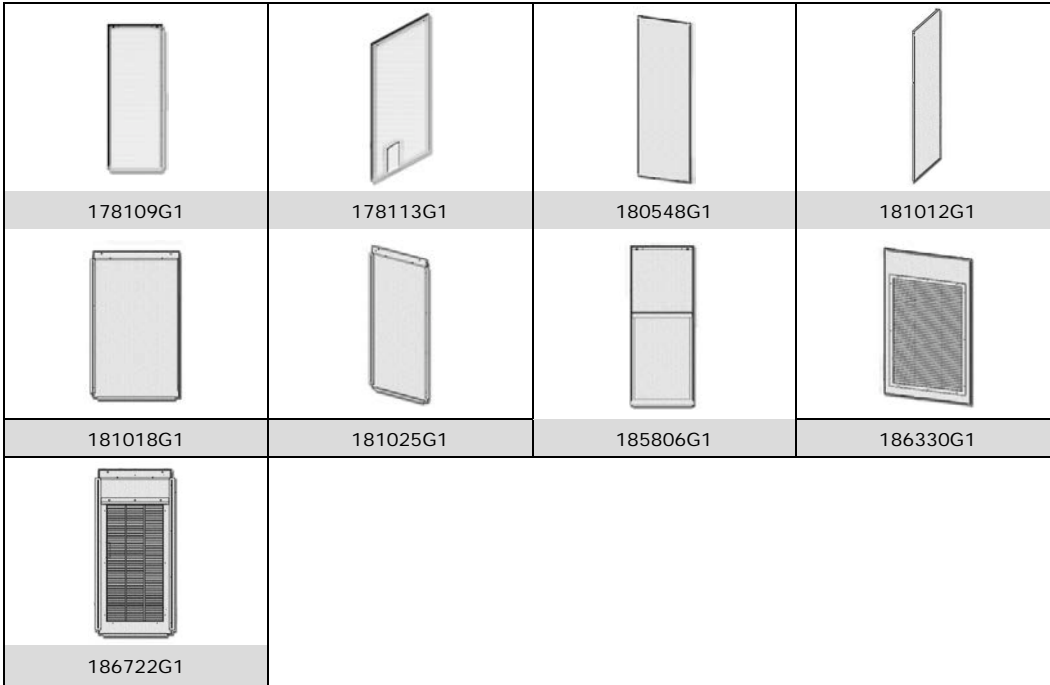
Electrical Section

			
1A18353P1	1C18707P1	123273P1	124547P1
			
128199P1	132487P1	132487P2	135637P5

			
136202P1	136205P1	136810P1	136241P10
			
136820P1	136821P2	166806G2	179746P1
			
179747P1	179751P1	180294P1	180633G1
			
180645P1	180792P1	180838P1	181464G1
			
181518G2	1C18351P1	E-2900	1C18351P1
			
E-2900	159852P4	159852P4	181898P1
			
200509P1	416761G1	416891G1	416911G2





Exterior Section



Filter Section



Humidifier Section


			
1A12800P1	1A16207P1	1A19271P1	1C18003G2
			
H-014A / H-0370	H-014A / H-0370	009-0265	009-0297
			
H-0450	124216P2	124578P1	136743P1
			
176345P1	179856G1	1A18660P1	185108P1
			
186282P1	186602P1	F-601D	F-6090
			
F-6100	H-0020	H-0030	P02-0260
			
P15-0110	P15-0140	P15-0150	P15-0170



P-229B	P-2290	P-5400	P-5500
R13-0090	124502P2	124547P1	180976G1
181090P1	C05-0360	C06-0010	E03-0170
E-0130	E-2440		

Miscellaneous Section




124502P2	124547P1	132487P1	132487P2
181090P1	E03-0170	E-0130	E-2440

Piping Section

			
1A18898P1	1C23493P1	123575P1	123575P2
			
123575P4	134136P1	146350P1	148039P1
			
151141P1	151141P2	159009P2	178157P2
			
179863P1	179869P1	180908P1	180910P1
			
182132P1	182132P2	C-0880	C-0890
			
C-0910	C-0930	P02-0270	P02-0290
			
P05-169C	P-0080	P-2870	P-0070

			
P-0080	P-391B	W-0090	W-0093

Reheat Section

		
148367P16	181482P1	R-0970

14. Revision Page

Version	Revision Date	Modification	Details
12	01/2012	-	Updated BOM information.
11	07/2011	-	Parts manual layout conversion.
10	08/2010	Main Page	Changed product image.
09	6/2010	Blower Section	Added VFD information
08	09/2009	Humidifier Section (Infrared)	Added 6-Bulb options.
		Model Number Definition	Updated model number definition.
07	04/2009	Electrical Section (Disconnect Options)	Modified accent panel (callout 1).
06	10/2008	Humidifier Section Infrared w/o Pump	Added Humidifier Pan - 180653G1.
05	09/2008	Piping Section Expansion Valves	Removed 178157P1 and 180723P1. Added 178157P2 and 180723P2 to Expansion Valves chart.
		Exterior Section Panels	Modified panel parts. Incorporated Standard (Z42L, Z43L, and Z35L) and Double-Skin (Z42LDS, Z43LDS, and Z35LDS) parts identification.
			Removed 181012G2 from Rear and Front Returns.