

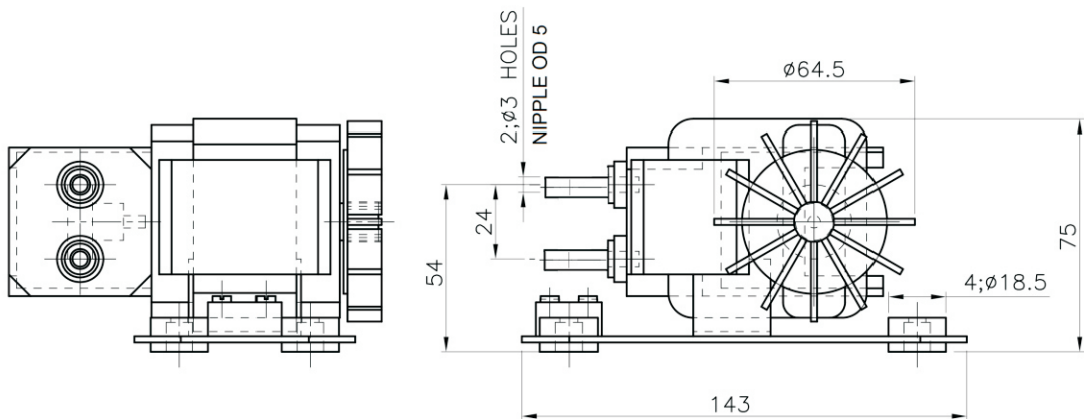
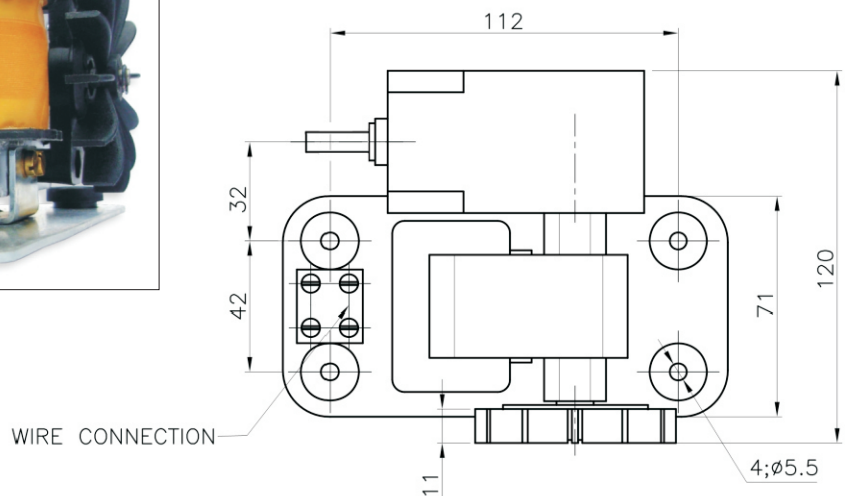
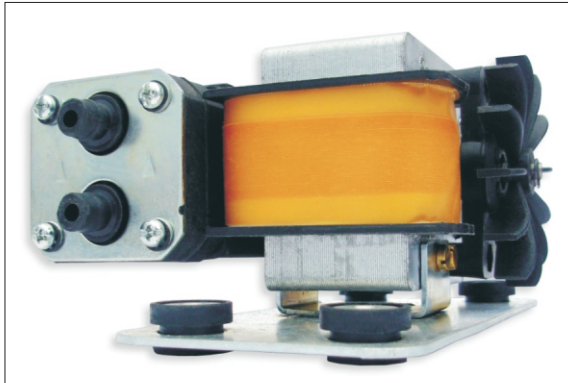
Lifemate Diaphragm Pump

Model: AV 05

Model: AP 06

Data Sheet No. 01 V/P

Dimensions (mm)



Medicare Equipments (India) Pvt. Ltd.

you + me working together

ISO 13585 Certified &
WHO-GMP Compliant

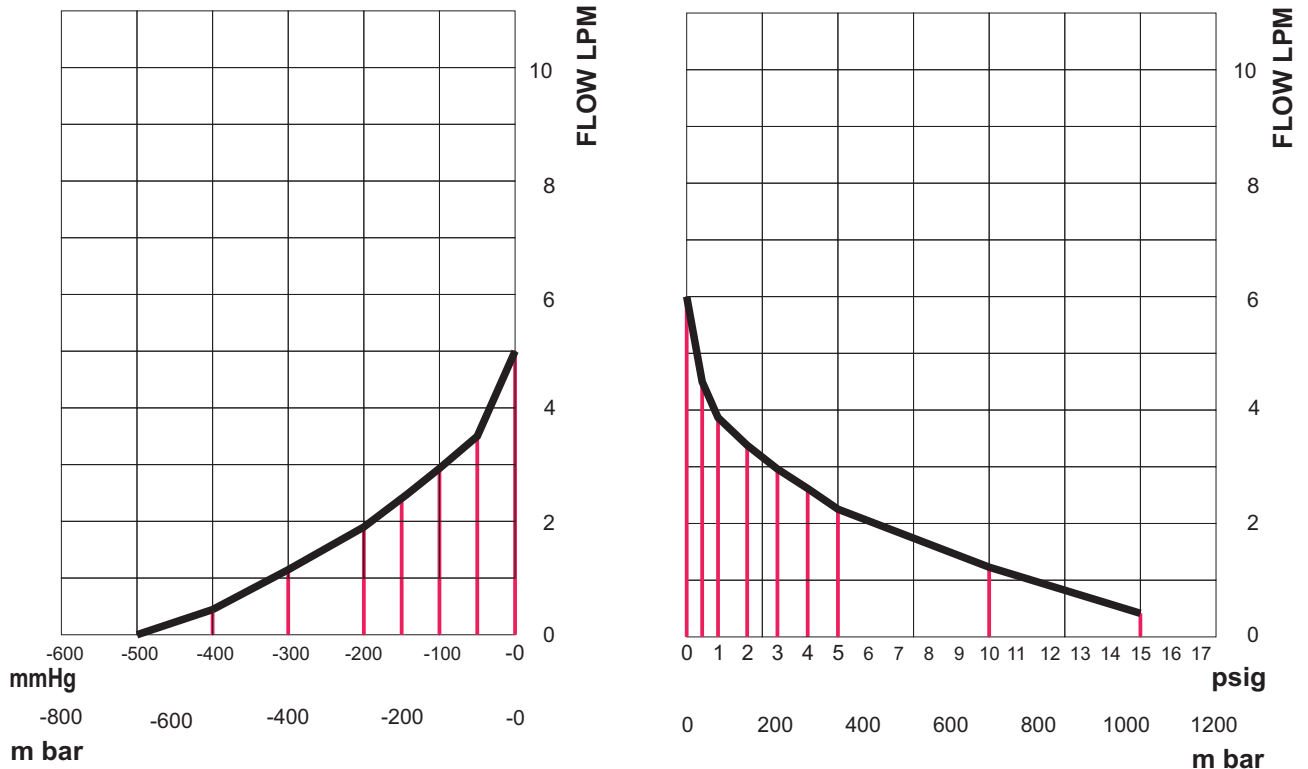
Regd Office : 1st Floor, Sita Mauli, Madanlal Dhingra Road,
Panch Pakhadi, Thane (W) - 400 602
Tel : (022) 2540 5488, 2540 5490 Fax : (022) 2545 2233
e-mail : sales@medicare-india.com
web site : www.medicare-india.com

Works: 242/7, G I D C Industrial Estate
Waghodia, Dist: Vadodara, Gujarat - 391760 INDIA
Telefax: +91 2668 263090 / 262155
e mail: medicare.gujarat@gmail.com

Rev 00 12 13

Flow v/s Vacuum curve
Model: AV 05

Flow v/s Pressure Curve
Model: AP 06



PUMP SPECIFICATIONS

MODEL	AV 05		AP 06	
Free Air Flow	5 LPM (0.18 CFM) 230 VAC 50 Hz / 5.5 (0.19 CFM) LPM 120 VAC 60 Hz		6 LPM (0. 21 CFM) 230 VAC 50 Hz / 6.5 LPM (0. 23 CFM) 120 VAC 60 Hz	
Maximum Vacuum/Pressure	Max. Vacuum - 500 mmHg (0.66 bars)		Max. Pressure 16 psig (1.10 bars or 110 kpa)	
Electrical Data Information	Motor Type	Shaded pole		
	Rated Voltage	230 V 50 Hz	120V 60Hz	Other Voltages on Request
	Current (Amp)	0.5	0.8	
	Insulation Class	Class F	Thermal Cut Off at 145 ° C	
Inlet and Exhaust Port (Nipple)	5 mm O D			
Dimensions L x W x H (mm)	143 x 120 x 75			
Mounting Dimension L x W (mm)	112 x 42			
Gross Weight	1.3 Kg			
Pump Material Specifications	Head Pump	POLYAMIDE 6.6 G.F		
	Diaphragm	EPDM		
	Valve	EPDM		
	O Ring	NEOPRENE		

DS 01 V/P Rev 00 12 13

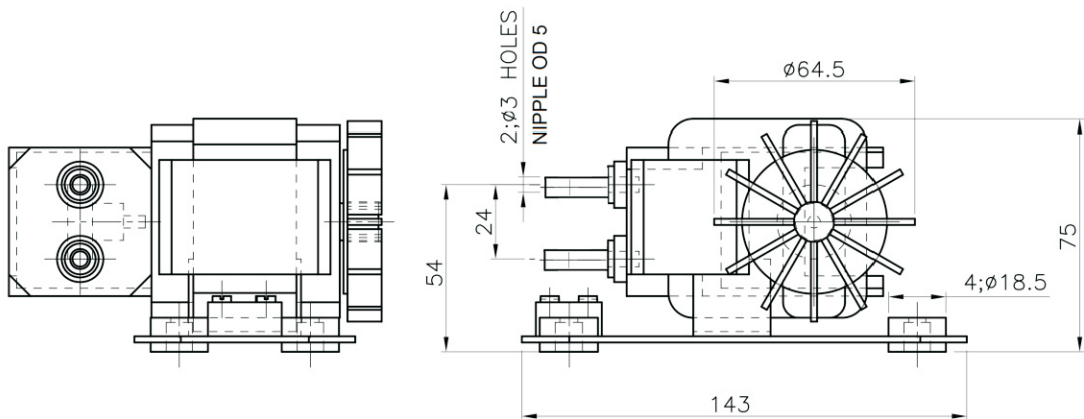
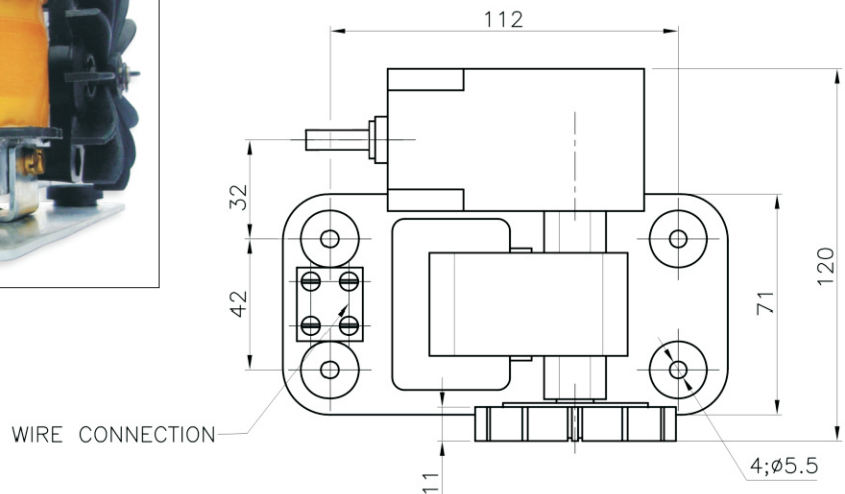
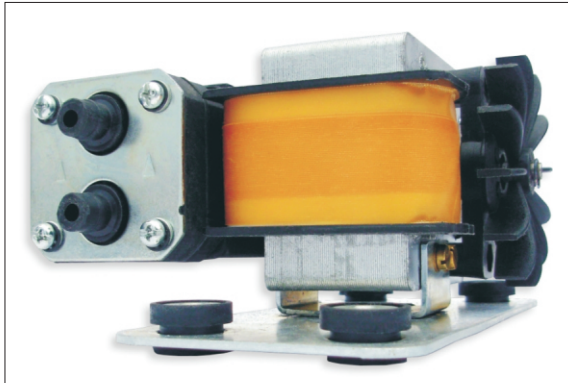
Lifemate Diaphragm Pump

Model: AV 07

Model: AP 08

Data Sheet No. 02 V/P

Dimensions (mm)



 **Medicare Equipments (India) Pvt. Ltd.**
you + me working together

ISO 13585 Certified &
WHO-GMP Compliant

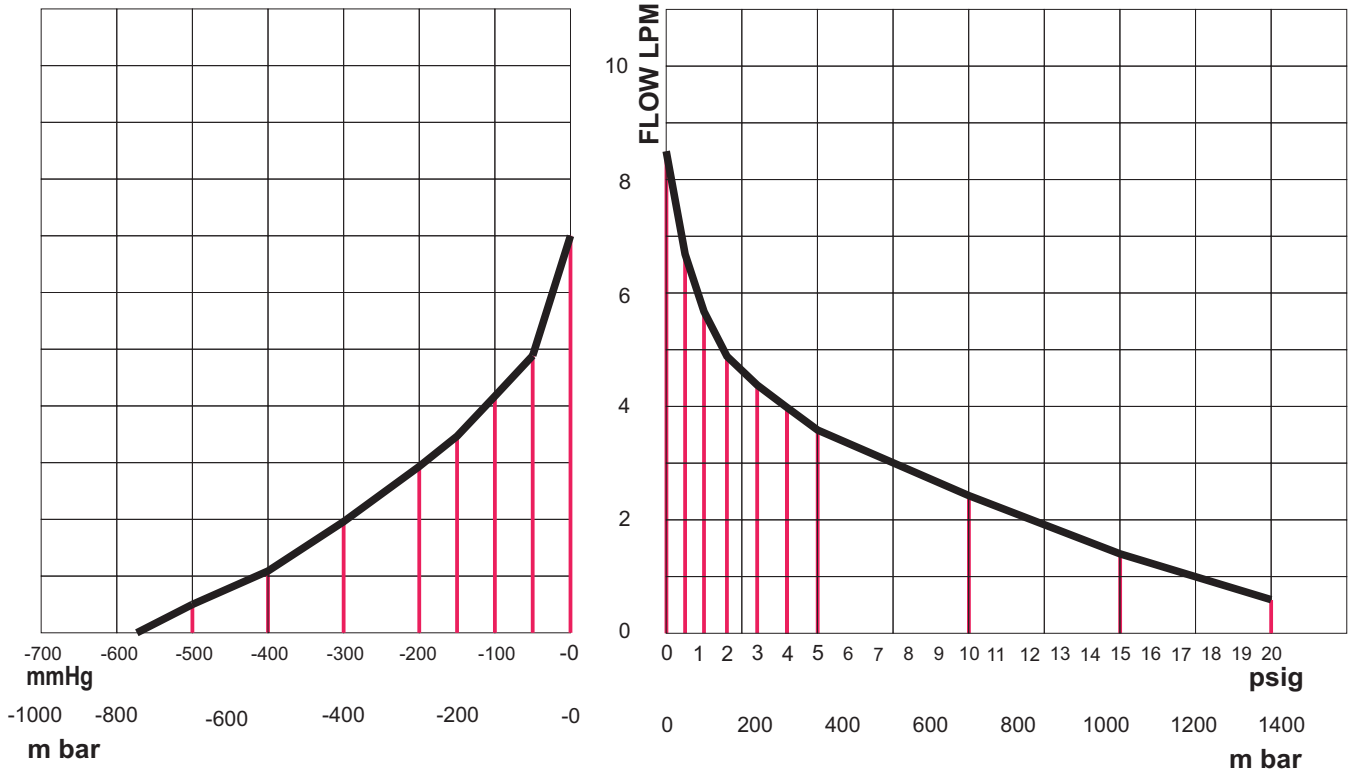
Regd Office : 1st Floor, Sita Mauli, Madanlal Dhingra Road,
Panch Pakhadi, Thane (W) - 400 602
Tel : (022) 2540 5488, 2540 5490 Fax : (022) 2545 2233
e-mail : sales@medicare-india.com
web site : www.medicare-india.com

Works: 242/7, G I D C Industrial Estate
Waghodia, Dist: Vadodara, Gujarat - 391760 INDIA
Telefax: +91 2668 263090 / 262155
e mail: medicare.gujarat@gmail.com

Rev 00 12 13

Model: AV 07
Flow v/s Vacuum Curve

Model: AP 08
Flow v/s Pressure Curve



PUMP SPECIFICATIONS

MODEL	AV 07	AP 08	
Free Air Flow	7 LPM (0.25 CFM) 230 VAC 50 Hz/ 8 LPM (0.28 CFM) 120 VAC 60 Hz	8 LPM (0. 28 CFM) 230 VAC 50 Hz / 9 LPM (0. 31 CFM) 120 VAC 60 Hz	
Maximum Vacuum/Pressure	Max. Vacuum - 570 mmHg (0.66 bars)	Max. Pressure 22 psig (1.52 bars or 152 kpa)	
Electrical Data Information	Motor Type	Shaded pole	
	Rated Voltage	230 V 50 Hz	120V 60Hz
	Current (Amp)	0.5	0.8
	Insulation Class	Class F	Thermal Cut Off at 145 ° C
Inlet and Exhaust Port (Nipple)	5 mm Dia.		
Dimensions L x W x H (mm)	143 x 120 x 75		
Mounting Dimension L x W (mm)	112 x 42		
Gross Weight	1.3 Kg		
Pump Material Specifications	Head Pump	POLYAMIDE 6.6 G.F	
	Diaphragm	EPDM	
	Valve	EPDM	
	O Ring	NEOPRENE	

DS 02 V/P Rev 00 12 13

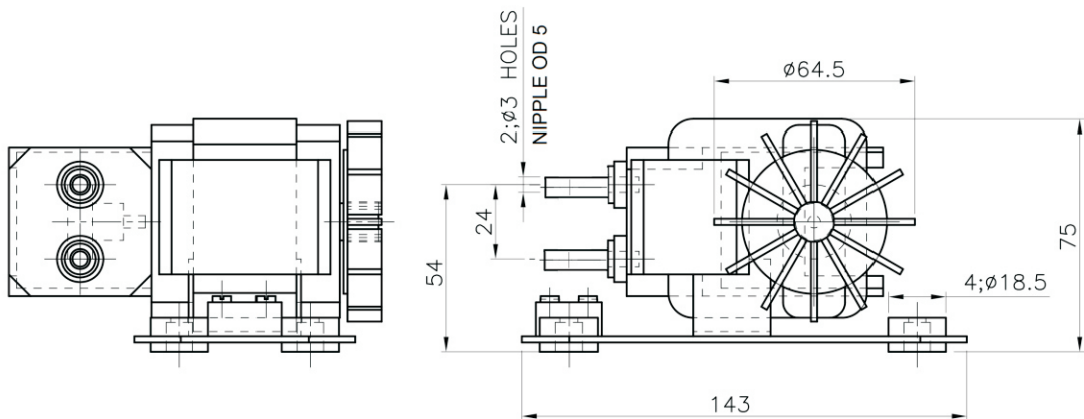
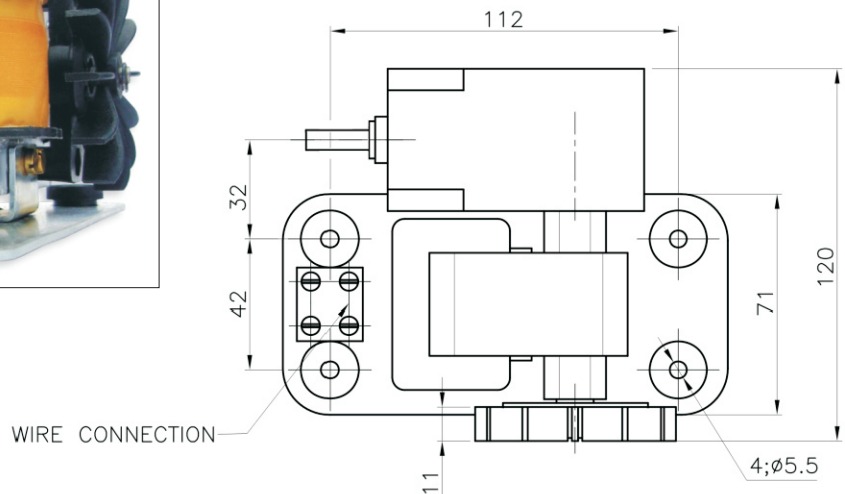
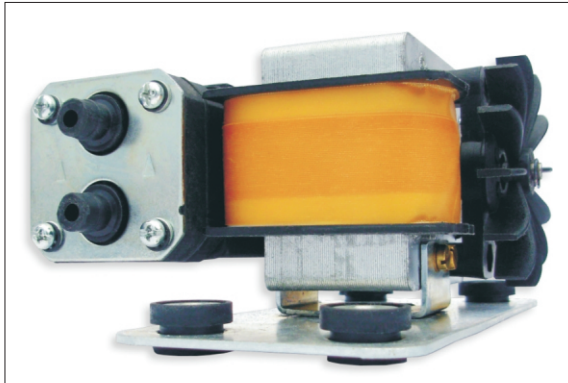
Lifemate Diaphragm Pump

Model: AV 08

Model: AP 09

Data Sheet No. 03 V/P

Dimensions (mm)



 **Medicare Equipments (India) Pvt. Ltd.**
you + me working together

ISO 13585 Certified &
WHO-GMP Compliant

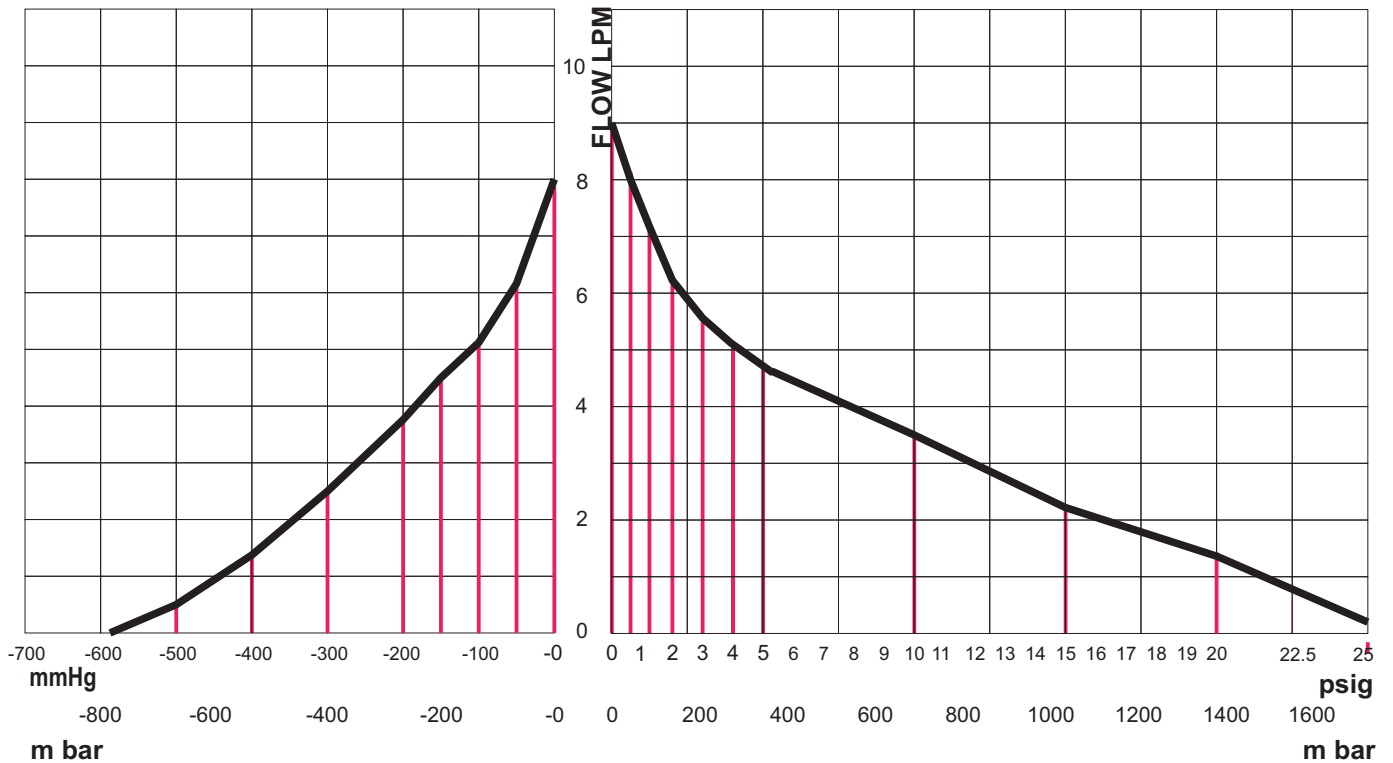
Regd Office : 1st Floor, Sita Mauli, Madanlal Dhingra Road,
Panch Pakhadi, Thane (W) - 400 602
Tel : (022) 2540 5488, 2540 5490 Fax : (022) 2545 2233
e-mail : sales@medicare-india.com
web site : www.medicare-india.com

Works: 242/7, G I D C Industrial Estate
Waghodia, Dist: Vadodara, Gujarat - 391760 INDIA
Telefax: +91 2668 263090 / 262155
e mail: medicare.gujarat@gmail.com

Rev 00 12 13

Flow v/s Vacuum Curve
Model: AV 08

Flow v/s Pressure Curve
Model: AP 09



PUMP SPECIFICATIONS

MODEL	AV 08		AP 09	
Free Air Flow	8 LPM (0.28 CFM) 230 VAC 50 Hz / 9 LPM (0.31 CFM) 120 VAC 60 Hz		9 LPM (0.31 CFM) 230 VAC 50 Hz / 10 LPM (0.35 CFM) 120 VAC 60 Hz	
Maximum Vacuum	Max. Vacuum - 590 mmHg (.79 bars)		Max. Pressure 29 psig (1.99 bars or 199 kpa)	
Electrical Data Information	Motor Type	Shaded pole		
	Rated Voltage	230 V 50 Hz	120V 60Hz	Other Voltages on Request
	Current (Amp)	0.55	0.85	
	Insulation Class	Class F	Thermal Cut Off at 145 ° C	
Inlet and Exhaust Port (Nipple)	6 mm Dia.			
Dimensions L x W x H (mm)	143 x 120 x 75			
Mounting Dimension L x W (mm)	112 x 42			
Gross Weight	1.6 Kg			
Pump Material Specifications	Head Pump	POLYAMIDE 6.6 G.F		
	Diaphragm	EPDM		
	Valve	EPDM		
	O Ring	NEOPRENE		

DS 03 V/P Rev 00 12 13