



Product Selection Guide

Size and Performance Data.....	LS-IS-2
Features and Options	LS-IS-3
Combination Assemblies.....	LS-IS-4
Glazing Performance	
Dual-Pane	LS-IS-5
Triple-Pane.....	LS-IS-6
Grille Types.....	LS-IS-8
Size Tables	
Dual-Pane	LS-IS-9
Triple-Pane.....	LS-IS-11
Special Sizes and Dimensions	LS-IS-15
Design Data	LS-IS-16
Dual-Pane	LS-IS-16
Triple-Pane.....	LS-IS-17
Transoms and Sidelights	LS-IS-18
Detailed Product Descriptions.....	LS-IS-19
Unit Sections	
Dual-Pane	LS-IS-20
Triple-Pane.....	LS-IS-24

Document Navigation Tips:

Items listed in the table of contents above are active links that will take you to the corresponding page. The Pella logo on each page is a link back to this table of contents. Bookmarks are also included in this PDF document and are available as an additional navigation option.

Supporting documents for this product:

Test Reports:

- https://media.pella.com/professional/adm/CertificationReports/Test_Reports_LS-Dual.pdf
- https://media.pella.com/professional/adm/CertificationReports/Test_Reports_LS-Triple.pdf

CSI Specs (readable using Microsoft Word or other text editing application):

- https://media.pella.com/professional/adm/Wood-CSI_Specs/08213.rtf

Detailed Product Description (readable using Microsoft Word or other text editing application):

- https://media.pella.com/professional/adm/Clad-Wood-LS/PellaLifestyleSrs-IS_DPD.rtf

Size Tables (requires appropriate CAD software to read and use):

- https://media.pella.com/professional/adm/Clad-Wood-LS/LSCISE_D.dwg

CAD cross sections (requires appropriate CAD software to read and use):

- https://media.pella.com/professional/adm/Clad-Wood-LS/LS-IS_XSEC_D.dwg

3D & BIM (requires appropriate software to read and use):

- https://media.pella.com/professional/adm/RevitFiles/LS-Revit/Door-In-Swing-Pella-Lifestyle_Series.zip

Sketchup (requires appropriate software to read and use):

- https://media.pella.com/professional/adm/Clad-Wood-LS/PellaSKP_LifestyleSeries_In-Swing_Door.zip

Combination Recommendations:

- https://media.pella.com/professional/adm/Clad-Wood/D_Combinations.pdf

Installation Details:

- https://media.pella.com/professional/adm/Clad-Wood/F_InstallationDetails.pdf

The information published in this document is believed to be accurate at the time of publication. However, because we are constantly working to improve our products, specifications are subject to change without notice. Consult your local Pella representative for up-to-date product information and availability. Microsoft and Microsoft Word are registered trademarks of Microsoft Corp.

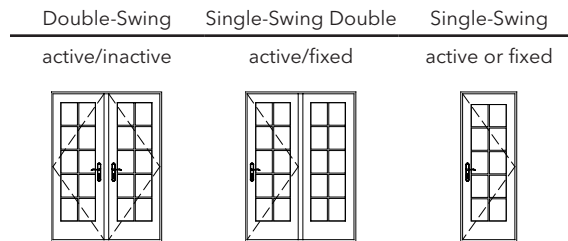


Lifestyle Series In-Swing Patio Door

Performance Data

Size and Performance Data

	Dual-Pane Glazing	Triple-Pane Glazing
Sizes		
Standard door sizes	●	●
Standard sidelight sizes	–	●
Standard transom sizes - Fixed Frame Direct Set	●	●
Special sizes available	–	●
Performance₁		
Meets or Exceeds AAMA/WDMA Ratings	LC50 Hallmark Certified	LC55 Hallmark Certified
Air Infiltration (cfm/ft ² of frame @ 1.57 psf wind pressure)	0.15	0.10
Water Resistance	7.5 psf	8.36 psf
Design Pressure	50 psf	55 psf
Other Performance Criteria		
Forced Entry Resistance Level (Minimum Security Grade) ₂	40	40



Sound Transmission Class / Outdoor-Indoor Transmission Class

Product	Frame Size Tested ₃	Glazing System				STC Rating	OITC Rating
		Overall Glazing Thickness	Exterior Glass Thickness	Interior Glass Thickness	Third Pane Thickness (ML)		
Lifestyle Series In-Swing Patio Door	Active-Fixe - Dual-Pane Glass						
	71-1/4"x 79-1/2"	3/4"	3mm	3mm	–	30	24
	71-1/4"x 79-1/2"	3/4"	5mm	3mm	–	32	28
	Active-Inactive - Triple-Pane Glass						
	71-1/4"x 81-1/2"	11/16"	3mm	3mm	3mm	34	28
	71-1/4"x 81-1/2"	11/16"	5mm	3mm	4mm	35	31
	71-1/4"x 81-1/2" with blind	11/16"	5mm	3mm	4mm	35	31
	71-1/4"x 81-1/2" with shade	11/16"	5mm	3mm	4mm	35	31

(1) Maximum performance for single unit when glazed with the appropriate glass thickness. See Design Data pages in this section for specific product performance class and grade values. Values shown are for standard and special sizes; Custom sizes may not have the same values. Contact your local sales representative for complete information.

(2) The higher the level, the greater the product's ability to resist forced entry.

(3) ASTM E 1425 defines standard sizes for acoustical testing. Ratings achieved at that size are representative of all sizes of the same configuration.



Lifestyle Series In-Swing Patio Door

Features and Options

Standard	Options / Upgrades
Glazing	
Glazing Type	
Dual-Pane Glazing	Triple-Pane Glazing with Clear Moveable Light
Insulated Glass Options/Low-E Types	
Advanced Low-E	SunDefense™ Low-E
	AdvancedComfort Low-E
	NaturalSun Low-E
Glass Performance Package Options	
Base Package (Dual-Pane)	Performance Package - Triple-Pane
	Sound Control Package - Triple-Pane with STC glass
	Energy Efficiency Package - Triple-Pane with AdvancedComfort Low-E
	Ultimate Performance Package - Triple-Pane with AdvancedComfort Low-E and STC glass
Additional Glass Options	
Annealed Glass	STC Glazing Options
	Tempered Glass
	Obscure Glass ¹
Gas Fill/High Altitude	
Argon	High altitude (Air-filled only)
Exterior	
EnduraClad® Cladding Colors¹	
4 Standard colors	8 Feature Colors
Sill Finish²	
Black	Mill
Interior¹	
Unfinished wood	Factory primed, Factory prefinished paint, Factory prefinished stain
Wood Types	
Pine	–
Hardware	
Champagne, White, Brown or Matte Black	Satin Brass, Satin Nickel
Locking System	
Multi-Point	–
Key lock	–
Grilles	
Simulated-Divided-Light with Optional Spacer (Dual-Pane glazing)	
–	Traditional, Prairie, Top Row, Cross, Custom - Equally Divided
Simulated-Divided-Light with Grilles-Between-the-Glass (Triple-Pane glazing)	
–	Traditional, Prairie, Top Row, Cross, Custom - Equally Divided
Grilles-Between-the-Glass	
–	Traditional, Prairie, Top Row, Cross, Custom - Equally Divided
Integrated Between-the-Glass Options (Triple-Pane Only)¹	
Cellular Fabric Shades	
–	Raise-and-lower bottom-up
Slimshade® Blinds	
–	Raise-and-lower bottom-up
Screens	
–	InView™ screens

(-) = Not Available

(1) Contact your local Pella sales representative for current designs and color options. Cellular fabric shades and Slimshade blinds are not available in transom units

(2) ADA sill available in mill finish only.



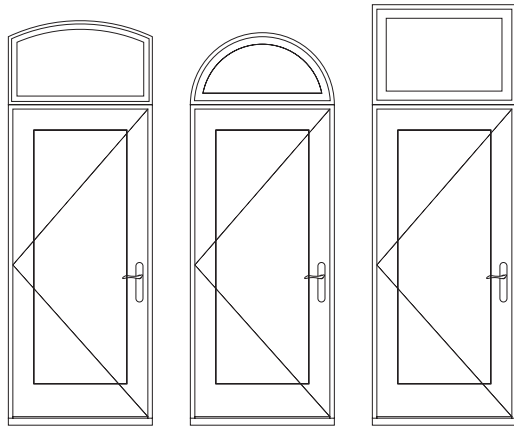
Lifestyle Series In-Swing Patio Door

Combination Assemblies

Combinations are a great way to create visual interest in any project. A combination is an assembly formed by two or more separate windows or doors whose frames are mullioned together by a combination or reinforcing mullion.

Pella door combinations are available in an endless variety of arrangements. Below are available factory-assembled combinations. Some units can be fixed or vent depending on availability. Refer to Combinations section for typical combinations and requirements and limitations related to mulling various combinations.

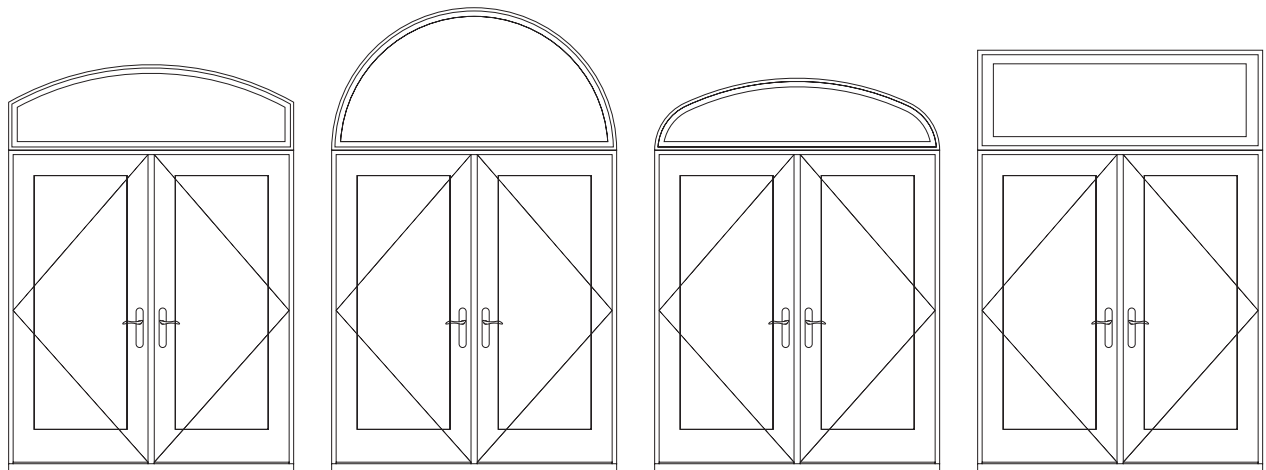
Contact your local Pella sales representative for more information.



Arch Head over Single

Half Circle over Single

Transom over Single

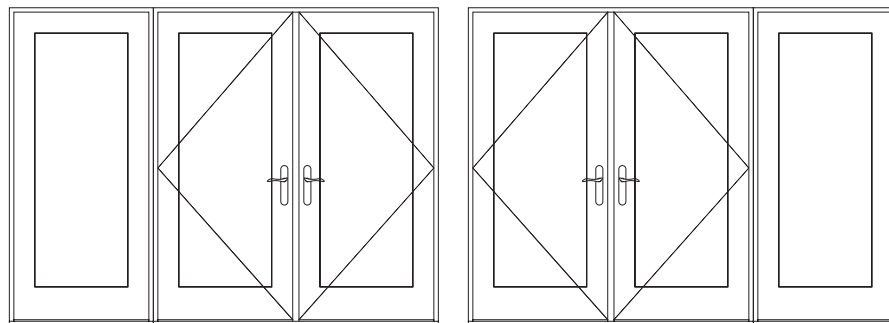


Arch Head over Double

Half Circle over Double

Elliptical over Double

Transom over Double



Double with Single Left

Double with Single Right



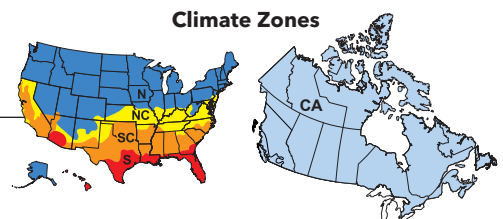
Lifestyle Series In-Swing Patio Door

Glazing Performance - Total Unit

Glazing Thickness	Type of Glazing	NFRC Certified Product #	Glass (mm)		Gap Fill	Performance Values ¹				Shaded Areas Meet ENERGY STAR® Performance Criteria in Zones Shown					
			Ext.	Int.		U-Factor	SHGC	VLT	CR	U. S.				Canada ²	
										Zone				ER	Zone
										N	NC	SC	S	CA	
3/4"	Advanced LowE IG	PEL-N-221-00190-00001	3	3	Argon	0.29	0.26	0.49	61	N	NC				
	with grilles-between-the-glass	PEL-N-221-00191-00001				0.29	0.23	0.43	61	N	NC	SC	S		
	with Simulated Divided Light	PEL-N-221-00192-00001				0.29	0.23	0.43	61	N	NC	SC	S		
3/4"	SunDefense™ Low-E IG	PEL-N-221-00154-00001	3	3	Argon	0.29	0.19	0.45	62	N	NC	SC	S		
	with grilles-between-the-glass	PEL-N-221-00155-00001				0.29	0.18	0.40	62	N	NC	SC	S		
	with Simulated Divided Light	PEL-N-221-00156-00001				0.29	0.18	0.40	62	N	NC	SC	S		
3/4"	AdvancedComfort Low-E IG	PEL-N-221-00166-00001	3	3	Argon	0.26	0.26	0.48	49	N	NC				
	with grilles-between-the-glass	PEL-N-221-00167-00001				0.26	0.23	0.42	49	N	NC	SC	S		
	with Simulated Divided Light	PEL-N-221-00168-00001				0.26	0.23	0.42	49	N	NC	SC	S		
3/4"	NaturalSun LowE IG	PEL-N-221-00178-00001	3	3	Argon	0.30	0.48	0.55	61						
	with grilles-between-the-glass	PEL-N-221-00179-00001				0.30	0.43	0.49	61						
	with Simulated Divided Light	PEL-N-221-00180-00001				0.30	0.43	0.49	61						
Dual-Pane High-Altitude Glazing															
3/4"	Advanced LowE IG	PEL-N-221-00187-00001	3	3	Air	0.32	0.26	0.49	58						
	with grilles-between-the-glass	PEL-N-221-00188-00001				0.32	0.24	0.43	58						
	with Simulated Divided Light	PEL-N-221-00189-00001				0.32	0.24	0.43	58						
3/4"	SunDefense™ Low-E IG	PEL-N-221-00151-00001	3	3	Air	0.31	0.20	0.45	58						
	with grilles-between-the-glass	PEL-N-221-00152-00001				0.31	0.18	0.40	58						
	with Simulated Divided Light	PEL-N-221-00153-00001				0.31	0.18	0.40	58						
3/4"	AdvancedComfort Low-E IG	PEL-N-221-00163-00001	3	3	Air	0.28	0.26	0.48	45	N	NC				
	with grilles-between-the-glass	PEL-N-221-00164-00001				0.28	0.23	0.42	45	N	NC	SC	S		
	with Simulated Divided Light	PEL-N-221-00165-00001				0.28	0.23	0.42	45	N	NC	SC	S		
3/4"	NaturalSun LowE IG	PEL-N-221-00175-00001	3	3	Air	0.32	0.48	0.55	57						
	with grilles-between-the-glass	PEL-N-221-00176-00001				0.32	0.43	0.49	57						
	with Simulated Divided Light	PEL-N-221-00177-00001				0.32	0.43	0.49	57						

R-Value = 1/U-Factor
 SHGC = Solar Heat Gain Coefficient
 VLT % = Visible Light Transmission
 CR = Condensation Resistance
 ER = Canadian Energy Rating

(1) Glazing performance values are calculated based on NFRC 100, NFRC 200 and NFRC 500. ENERGY STAR® values are updated to 2016 (Version 6) criteria.
 (2) The values shown are based on Canada's updated ENERGY STAR® 2020 initiative.
 See the Product Performance section for more detailed information or visit www.energystar.gov for Energy Star guidelines.



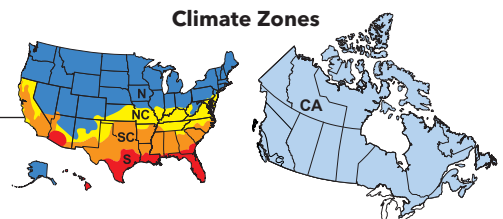


Lifestyle Series In-Swing Patio Door

Glazing Thickness	Type of Glazing	NFRC Certified Product #	Glass (mm)			Gap Fill	Performance Values ₁				Shaded Areas Meet ENERGY STAR® Performance Criteria in Zones Shown					
			Ext.	Mid	Int.		U-Factor ₁	SHGC	VLT	CR	U. S.				Canada ₂	
											Zone				ER	Zone
Vent - Triple-Pane Vent with Clear ML											N	NC	SC	S	CA	
11/16"	Advanced Low-E IG	PEL-N-247-00061-00001	3	3	3	Argon	0.25	0.19	0.34	66	N	NC	SC	S		
11/16"	Advanced Low-E IG w/ GBG	PEL-N-247-00061-00002	3	3	3	Argon	0.25	0.16	0.29	66	N	NC	SC	S		
11/16"	Advanced Low-E IG w/ SDL	PEL-N-247-00061-00003	3	3	3	Argon	0.25	0.16	0.29	66	N	NC	SC	S		
11/16"	Advanced Low-E IG	PEL-N-247-00062-00001	4	4	4	Argon	0.26	0.18	0.33	66	N	NC	SC	S		
11/16"	Advanced Low-E IG w/ GBG	PEL-N-247-00063-00001	4	4	4	Argon	0.26	0.16	0.28	66	N	NC	SC	S		
11/16"	Advanced Low-E IG w/ SDL	PEL-N-247-00063-00002	4	4	4	Argon	0.26	0.16	0.28	66	N	NC	SC	S		
11/16"	Advanced Low-E IG	PEL-N-247-00079-00001	5	3	4	Argon	0.25	0.18	0.33	57	N	NC	SC	S		
11/16"	Advanced Low-E IG w/ GBG	PEL-N-247-00079-00002	5	3	4	Argon	0.25	0.16	0.28	57	N	NC	SC	S		
11/16"	Advanced Low-E IG w/ SDL	PEL-N-247-00079-00003	5	3	4	Argon	0.25	0.16	0.28	57	N	NC	SC	S		
11/16"	AdvancedComfort Low-E IG	PEL-N-247-00067-00001	3	3	3	Argon	0.23	0.18	0.33	66	N	NC	SC	S		
11/16"	AdvancedComfort Low-E IG w/ GBG	PEL-N-247-00067-00002	3	3	3	Argon	0.23	0.16	0.28	66	N	NC	SC	S		
11/16"	AdvancedComfort Low-E IG w/ SDL	PEL-N-247-00067-00003	3	3	3	Argon	0.23	0.16	0.28	66	N	NC	SC	S		
11/16"	AdvancedComfort Low-E IG	PEL-N-247-00068-00001	4	4	4	Argon	0.24	0.18	0.32	66	N	NC	SC	S		
11/16"	AdvancedComfort Low-E IG w/ GBG	PEL-N-247-00069-00001	4	4	4	Argon	0.24	0.15	0.27	66	N	NC	SC	S		
11/16"	AdvancedComfort Low-E IG w/ SDL	PEL-N-247-00069-00002	4	4	4	Argon	0.24	0.15	0.27	66	N	NC	SC	S		
11/16"	AdvancedComfort Low-E IG	PEL-N-247-00097-00001	5	3	4	Argon	0.23	0.18	0.32	62	N	NC	SC	S		
11/16"	AdvancedComfort Low-E IG w/ GBG	PEL-N-247-00097-00002	5	3	4	Argon	0.23	0.15	0.27	62	N	NC	SC	S		
11/16"	AdvancedComfort Low-E IG w/ SDL	PEL-N-247-00097-00003	5	3	4	Argon	0.23	0.15	0.27	62	N	NC	SC	S		
11/16"	SunDefense™ Low-E IG	PEL-N-247-00073-00001	3	3	3	Argon	0.25	0.14	0.31	66	N	NC	SC	S		
11/16"	SunDefense™ Low-E IG w/ GBG	PEL-N-247-00073-00002	3	3	3	Argon	0.25	0.12	0.26	66	N	NC	SC	S		
11/16"	SunDefense™ Low-E IG w/ SDL	PEL-N-247-00073-00003	3	3	3	Argon	0.25	0.12	0.26	66	N	NC	SC	S		
11/16"	SunDefense™ Low-E IG	PEL-N-247-00074-00001	4	4	4	Argon	0.25	0.14	0.31	66	N	NC	SC	S		
11/16"	SunDefense™ Low-E IG w/ GBG	PEL-N-247-00075-00001	4	4	4	Argon	0.26	0.12	0.26	66	N	NC	SC	S		
11/16"	SunDefense™ Low-E IG w/ SDL	PEL-N-247-00075-00002	4	4	4	Argon	0.26	0.12	0.26	66	N	NC	SC	S		
11/16"	SunDefense™ Low-E IG	PEL-N-247-00085-00001	5	3	4	Argon	0.25	0.14	0.31	58	N	NC	SC	S		
11/16"	SunDefense™ Low-E IG w/ GBG	PEL-N-247-00085-00002	5	3	4	Argon	0.25	0.12	0.26	58	N	NC	SC	S		
11/16"	SunDefense™ Low-E IG w/ SDL	PEL-N-247-00085-00003	5	3	4	Argon	0.25	0.12	0.26	58	N	NC	SC	S		
11/16"	NaturalSun Low-E IG	PEL-N-247-00055-00001	3	3	3	Argon	0.25	0.34	0.38	66	N	NC				
11/16"	NaturalSun Low-E IG w/ GBG	PEL-N-247-00055-00002	3	3	3	Argon	0.25	0.29	0.32	66	N	NC				
11/16"	NaturalSun Low-E IG w/ SDL	PEL-N-247-00055-00003	3	3	3	Argon	0.25	0.29	0.32	66	N	NC				
11/16"	NaturalSun Low-E IG	PEL-N-247-00056-00001	4	4	4	Argon	0.26	0.33	0.38	66	N	NC				
11/16"	NaturalSun Low-E IG w/ GBG	PEL-N-247-00057-00001	4	4	4	Argon	0.26	0.28	0.32	66	N	NC				
11/16"	NaturalSun Low-E IG w/ SDL	PEL-N-247-00057-00002	4	4	4	Argon	0.26	0.28	0.32	66	N	NC				
11/16"	NaturalSun Low-E IG	PEL-N-247-00091-00001	5	3	4	Argon	0.26	0.32	0.38	57	N	NC				
11/16"	NaturalSun Low-E IG w/ GBG	PEL-N-247-00091-00002	5	3	4	Argon	0.26	0.28	0.32	57	N	NC				
11/16"	NaturalSun Low-E IG w/ SDL	PEL-N-247-00091-00003	5	3	4	Argon	0.26	0.28	0.32	57	N	NC				

R-Value = 1/U-Factor
 SHGC = Solar Heat Gain Coefficient
 VLT % = Visible Light Transmission
 CR = Condensation Resistance
 ER = Canadian Energy Rating

(1) Glazing performance values are calculated based on NFRC 100, NFRC 200 and NFRC 500. ENERGY STAR® values are updated to 2016 (Version 6) criteria.
 (2) The values shown are based on Canada's updated ENERGY STAR® 2020 initiative.
 See the Product Performance section for more detailed information or visit www.energystar.gov for Energy Star guidelines.



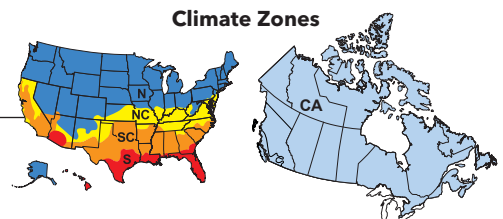


Lifestyle Series In-Swing Patio Door

Glazing Thickness	Type of Glazing	NFRC Certified Product #	Glass (mm)			Gap Fill	Performance Values ₁				Shaded Areas Meet ENERGY STAR® Performance Criteria in Zones Shown					
			Ext.	Mid	Int.		U-Factor ₁	SHGC	VLT	CR	U. S.				Canada ₂	
											Zone				ER	Zone
Vent - Triple-Pane Vent with High Altitude Glazing and Clear ML											N	NC	SC	S	CA	
11/16"	Advanced Low-E HA IG	PEL-N-247-00064-00001	3	3	3	Air	0.27	0.19	0.34	66	N	NC	SC	S		
11/16"	Advanced Low-E HA IG w/ GBG	PEL-N-247-00064-00002	3	3	3	Air	0.27	0.16	0.29	66	N	NC	SC	S		
11/16"	Advanced Low-E HA IG w/ SDL	PEL-N-247-00064-00003	3	3	3	Air	0.27	0.16	0.29	66	N	NC	SC	S		
11/16"	Advanced Low-E HA IG	PEL-N-247-00065-00001	4	4	4	Air	0.27	0.18	0.33	65	N	NC	SC	S		
11/16"	Advanced Low-E HA IG w/ GBG	PEL-N-247-00066-00001	4	4	4	Air	0.28	0.16	0.28	65		NC	SC	S		
11/16"	Advanced Low-E HA IG w/ SDL	PEL-N-247-00066-00002	4	4	4	Air	0.28	0.16	0.28	65		NC	SC	S		
11/16"	Advanced Low-E HA IG	PEL-N-247-00082-00001	5	3	4	Air	0.27	0.18	0.33	55	N	NC	SC	S		
11/16"	Advanced Low-E HA IG w/ GBG	PEL-N-247-00082-00002	5	3	4	Air	0.27	0.16	0.28	55	N	NC	SC	S		
11/16"	Advanced Low-E HA IG w/ SDL	PEL-N-247-00082-00003	5	3	4	Air	0.27	0.16	0.28	55	N	NC	SC	S		
11/16"	AdvancedComfort Low-E HA IG	PEL-N-247-00070-00001	3	3	3	Air	0.24	0.18	0.33	66	N	NC	SC	S		
11/16"	AdvancedComfort Low-E HA IG w/ GBG	PEL-N-247-00070-00002	3	3	3	Air	0.24	0.16	0.28	66	N	NC	SC	S		
11/16"	AdvancedComfort Low-E HA IG w/ SDL	PEL-N-247-00070-00003	3	3	3	Air	0.24	0.16	0.28	66	N	NC	SC	S		
11/16"	AdvancedComfort Low-E HA IG	PEL-N-247-00071-00001	4	4	4	Air	0.25	0.18	0.32	65	N	NC	SC	S		
11/16"	AdvancedComfort Low-E HA IG w/ GBG	PEL-N-247-00072-00001	4	4	4	Air	0.25	0.15	0.27	65	N	NC	SC	S		
11/16"	AdvancedComfort Low-E HA IG w/ SDL	PEL-N-247-00072-00002	4	4	4	Air	0.25	0.15	0.27	65	N	NC	SC	S		
11/16"	AdvancedComfort Low-E HA IG	PEL-N-247-00100-00001	5	3	4	Air	0.25	0.18	0.32	59	N	NC	SC	S		
11/16"	AdvancedComfort Low-E HA IG w/ GBG	PEL-N-247-00100-00002	5	3	4	Air	0.25	0.15	0.27	59	N	NC	SC	S		
11/16"	AdvancedComfort Low-E HA IG w/ SDL	PEL-N-247-00100-00003	5	3	4	Air	0.25	0.15	0.27	59	N	NC	SC	S		
11/16"	SunDefense™ Low-E HA IG	PEL-N-247-00076-00001	3	3	3	Air	0.26	0.14	0.31	66	N	NC	SC	S		
11/16"	SunDefense™ Low-E HA IG w/ GBG	PEL-N-247-00076-00002	3	3	3	Air	0.26	0.12	0.26	66	N	NC	SC	S		
11/16"	SunDefense™ Low-E HA IG w/ SDL	PEL-N-247-00076-00003	3	3	3	Air	0.26	0.12	0.26	66	N	NC	SC	S		
11/16"	SunDefense™ Low-E HA IG	PEL-N-247-00077-00001	4	4	4	Air	0.27	0.14	0.31	65	N	NC	SC	S		
11/16"	SunDefense™ Low-E HA IG w/ GBG	PEL-N-247-00078-00001	4	4	4	Air	0.28	0.12	0.26	65		NC	SC	S		
11/16"	SunDefense™ Low-E HA IG w/ SDL	PEL-N-247-00078-00002	4	4	4	Air	0.28	0.12	0.26	65		NC	SC	S		
11/16"	SunDefense™ Low-E HA IG	PEL-N-247-00088-00001	5	3	4	Air	0.27	0.14	0.31	55	N	NC	SC	S		
11/16"	SunDefense™ Low-E HA IG w/ GBG	PEL-N-247-00088-00002	5	3	4	Air	0.27	0.12	0.26	55	N	NC	SC	S		
11/16"	SunDefense™ Low-E HA IG w/ SDL	PEL-N-247-00088-00003	5	3	4	Air	0.27	0.12	0.26	55	N	NC	SC	S		
11/16"	NaturalSun Low-E HA IG	PEL-N-247-00058-00001	3	3	3	Air	0.27	0.33	0.38	66	N	NC				
11/16"	NaturalSun Low-E HA IG w/ GBG	PEL-N-247-00058-00002	3	3	3	Air	0.27	0.29	0.32	66	N	NC				
11/16"	NaturalSun Low-E HA IG w/ SDL	PEL-N-247-00058-00003	3	3	3	Air	0.27	0.29	0.32	66	N	NC				
11/16"	NaturalSun Low-E HA IG	PEL-N-247-00059-00001	4	4	4	Air	0.28	0.32	0.38	65	N	NC				
11/16"	NaturalSun Low-E HA IG w/ GBG	PEL-N-247-00060-00001	4	4	4	Air	0.28	0.28	0.32	65		NC				
11/16"	NaturalSun Low-E HA IG w/ SDL	PEL-N-247-00060-00002	4	4	4	Air	0.28	0.28	0.32	65		NC				
11/16"	NaturalSun Low-E HA IG	PEL-N-247-00094-00001	5	3	4	Air	0.27	0.32	0.38	54	N	NC				
11/16"	NaturalSun Low-E HA IG w/ GBG	PEL-N-247-00094-00002	5	3	4	Air	0.27	0.28	0.32	54	N	NC				
11/16"	NaturalSun Low-E HA IG w/ SDL	PEL-N-247-00094-00003	5	3	4	Air	0.27	0.28	0.32	54	N	NC				

R-Value = 1/U-Factor
 SHGC = Solar Heat Gain Coefficient
 VLT % = Visible Light Transmission
 CR = Condensation Resistance
 ER = Canadian Energy Rating

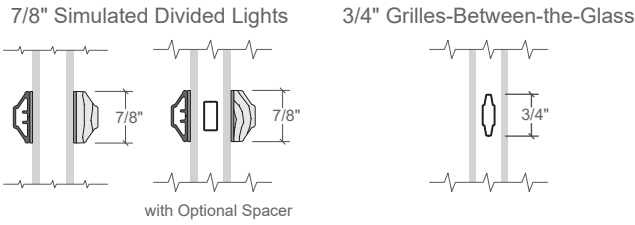
(1) Glazing performance values are calculated based on NFRC 100, NFRC 200 and NFRC 500. ENERGY STAR® values are updated to 2016 (Version 6) criteria.
 (2) The values shown are based on Canada's updated ENERGY STAR® 2020 initiative.
 See the Product Performance section for more detailed information or visit www.energystar.gov for Energy Star guidelines.



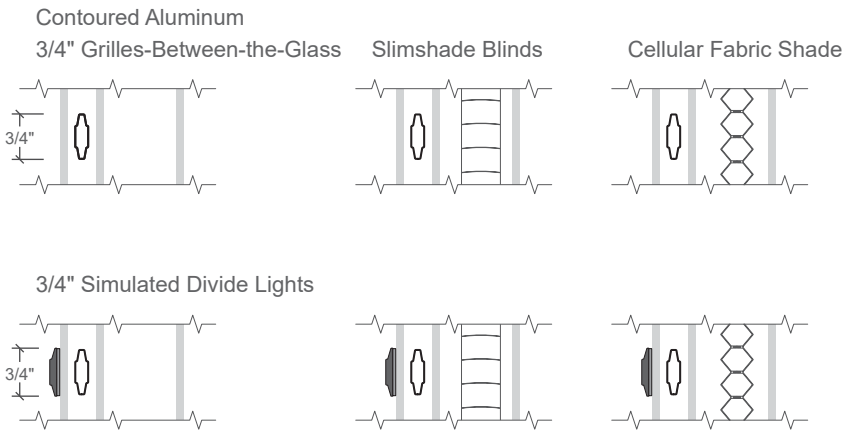


Grilles

Grille Profiles - Dual-Pane

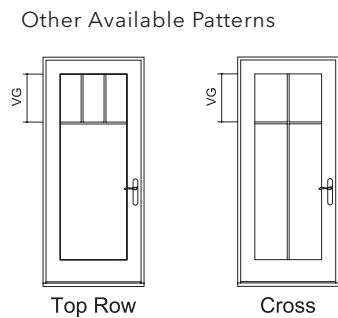
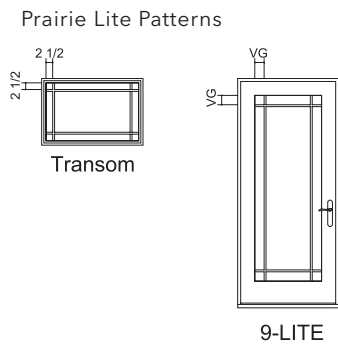


Grille Profiles - Triple-Pane



Contact your local Pella sales representative for current availability.

Grille Patterns



- Prairie**
 - Standard corner lite dimension for Prairie patterns = 3-1/2" VG.
- Top Row**
 - Standard visible glass to separator bar = 14".
- Cross**
 - Standard visible glass to separator bar = one-quarter of total visible glass height.

For traditional patterns, see size tables.

VG = Visible Glass
 Lite dimensions noted can vary.
 Custom configurations are also available, for details contact your local Pella sales representative.



Lifestyle Series In-Swing Patio Door

Standard Size Tables - Dual-Pane

Transoms SINGLE DOOR

	(781) (762)	(870) (851)	(933) (914)	(981) (962)
Opening	2' 6 3/4"	2' 10 1/4"	3' 0 3/4"	3' 2 5/8"
Frame	2' 6"	2' 9 1/2"	3' 0"	3' 1 7/8"
(654) (375) (432) (356)				
(451) (375) (432) (356)				
(635) (375) (432) (356)				

DOUBLE DOOR

	(1 524) (1 505)	(1 702) (1 682)	(1 829) (1 810)	(1 924) (1 905)
Opening	5' 0"	5' 7"	6' 0"	6' 3 3/4"
Frame	4' 11 1/4"	5' 6 1/4"	5' 11 1/4"	6' 3"
(654) (375) (432) (356)				
(451) (375) (432) (356)				
(635) (375) (432) (356)				

6' 7" Single Doors

FIXED VENT

	(781) (762)	(870) (851)	(933) (914)	(981) (962)
Opening	2' 6 3/4"	2' 10 1/4"	3' 0 3/4"	3' 2 5/8"
Frame	2' 6"	2' 9 1/2"	3' 0"	3' 1 7/8"
(2 032) (2 019)				

Single-Swing Doors

FIXED-ACTIVE

	(1 524) (1 505)	(1 702) (1 682)	(1 829) (1 810)	(1 924) (1 905)
Opening	5' 0"	5' 7"	6' 0"	6' 3 3/4"
Frame	4' 11 1/4"	5' 6 1/4"	5' 11 1/4"	6' 3"
(2 032) (2 019)				

Double-Swing Doors

ACTIVE-INACTIVE

	(1 524) (1 505)	(1 702) (1 682)	(1 829) (1 810)	(1 924) (1 905)
Opening	5' 0"	5' 7"	6' 0"	6' 3 3/4"
Frame	4' 11 1/4"	5' 6 1/4"	5' 11 1/4"	6' 3"
(2 032) (2 019)				

Not to scale.

T = Tempered glass is standard.



Lifestyle Series In-Swing Patio Door

Standard Size Tables - Dual-Pane

6' 10" Single Door

FIXED VENT

	(781) (762)	(870) (851)	(933) (914)	(981) (962)
Opening	2' 6 3/4"	2' 10 1/4"	3' 0 3/4"	3' 2 5/8"
Frame	2' 6"	2' 9 1/2"	3' 0"	3' 1 7/8"

8' 0" Single Door

FIXED VENT

	(781) (762)	(870) (851)	(933) (914)	(981) (962)
Opening	2' 6 3/4"	2' 10 1/4"	3' 0 3/4"	3' 2 5/8"
Frame	2' 6"	2' 9 1/2"	3' 0"	3' 1 7/8"

Single-Swing Doors

FIXED-ACTIVE

	(1 524) (1 505)	(1 702) (1 682)	(1 829) (1 810)	(1 924) (1 905)
Opening	5' 0"	5' 7"	6' 0"	6' 3 3/4"
Frame	4' 11 1/4"	5' 6 1/4"	5' 11 1/4"	6' 3"

Single-Swing Doors

FIXED-ACTIVE

	(1 524) (1 505)	(1 702) (1 682)	(1 829) (1 810)	(1 924) (1 905)
Opening	5' 0"	5' 7"	6' 0"	6' 3 3/4"
Frame	4' 11 1/4"	5' 6 1/4"	5' 11 1/4"	6' 3"

Double-Swing Doors

ACTIVE-INACTIVE

	(1 524) (1 505)	(1 702) (1 682)	(1 829) (1 810)	(1 924) (1 905)
Opening	5' 0"	5' 7"	6' 0"	6' 3 3/4"
Frame	4' 11 1/4"	5' 6 1/4"	5' 11 1/4"	6' 3"

Double-Swing Doors

ACTIVE-INACTIVE

	(1 524) (1 505)	(1 702) (1 682)	(1 829) (1 810)	(1 924) (1 905)
Opening	5' 0"	5' 7"	6' 0"	6' 3 3/4"
Frame	4' 11 1/4"	5' 6 1/4"	5' 11 1/4"	6' 3"

Not to scale.



Lifestyle Series In-Swing Patio Door

Standard Size Tables - Transoms

Fixed Transoms

SINGLE DOOR

		(664) (645)	(781) (762)	(870) (851)	(933) (914)	(981) (962)
Opening		2' 2 1/8"	2' 6 3/4"	2' 10 1/4"	3' 0 3/4"	3' 2 5/8"
Frame		2' 1 3/8"	2' 6"	2' 9 1/2"	3' 0"	3' 1 7/8"
(375) (356) (451) (432) (635) (635)	1' 2"	2614	3014	3414	3614	3814
	1' 5"	2617	3017	3417	3617	3817
	2' 1"	2625	3025	3425	3625	3825

DOUBLE DOOR

		(1 289) (1 270)	(1 524) (1 505)	(1 702) (1 682)	(1 829) (1 810)	(1 924) (1 905)
Opening		4' 2 3/4"	5' 0"	5' 7"	6' 0"	6' 3 3/4"
Frame		4' 2"	4' 11 1/4"	5' 6 1/4"	5' 11 1/4"	6' 3"
(375) (356) (451) (432) (635) (635)	1' 2"	5014	6014	6714	7214 T	7514 T
	1' 5"	5017	6017	6717	7217	7517
	2' 1"	5025	6025	6725	7225	7525

Not to scale.

T = Tempered glass is standard.



Lifestyle Series In-Swing Patio Door

Standard Size Tables - Triple-Pane

6' 7" Single Doors and Sidelight

FIXED VENT

	(476) (457)	(664) (645)	(781) (762)	(870) (851)	(933) (914)	(981) (962)
Opening	1' 6 3/4"	2' 2 1/8"	2' 6 3/4"	2' 10 1/4"	3' 0 3/4"	3' 2 5/8"
Frame	1' 6"	2' 1 3/8"	2' 6"	2' 9 1/2"	3' 0"	3' 1 7/8"

Single-Swing Doors

FIXED-ACTIVE

	(1 289) (1 270)	(1 524) (1 505)	(1 702) (1 682)	(1 829) (1 810)	(1 924) (1 905)
Opening	4' 2 3/4"	5' 0"	5' 7"	6' 0"	6' 3 3/4"
Frame	4' 2"	4' 11 1/4"	5' 6 1/4"	5' 11 1/4"	6' 3"

Double-Swing Doors

ACTIVE-INACTIVE

	(1 289) (1 270)	(1 524) (1 505)	(1 702) (1 682)	(1 829) (1 810)	(1 924) (1 905)
Opening	4' 2 3/4"	5' 0"	5' 7"	6' 0"	6' 3 3/4"
Frame	4' 2"	4' 11 1/4"	5' 6 1/4"	5' 11 1/4"	6' 3"

Not to scale.



Lifestyle Series In-Swing Patio Door

Standard Size Tables - Triple-Pane

6' 10" Single Door

FIXED VENT

	(476) (457)	(664) (645)	(781) (762)	(870) (851)	(933) (914)	(981) (962)
Opening	1' 6 3/4"	2' 2 1/8"	2' 6 3/4"	2' 10 1/4"	3' 0 3/4"	3' 2 5/8"
Frame	1' 6"	2' 1 3/8"	2' 6"	2' 9 1/2"	3' 0"	3' 1 7/8"
(2 083) (2 070)						
	1882	2682	3082	3482	3682	3882

Single-Swing Doors

FIXED-ACTIVE

	(1 289) (1 270)	(1 524) (1 505)	(1 702) (1 682)	(1 829) (1 810)	(1 924) (1 905)
Opening	4' 2 3/4"	5' 0"	5' 7"	6' 0"	6' 3 3/4"
Frame	4' 2"	4' 11 1/4"	5' 6 1/4"	5' 11 1/4"	6' 3"
(2 083) (2 070)					
	5082	6082	6782	7282	7582

Double-Swing Doors

ACTIVE-INACTIVE

	(1 289) (1 270)	(1 524) (1 505)	(1 702) (1 682)	(1 829) (1 810)	(1 924) (1 905)
Opening	4' 2 3/4"	5' 0"	5' 7"	6' 0"	6' 3 3/4"
Frame	4' 2"	4' 11 1/4"	5' 6 1/4"	5' 11 1/4"	6' 3"
(2 083) (2 070)					
	5082	6082	6782	7282	7582

Not to scale.



Lifestyle Series In-Swing Patio Door

Standard Size Tables - Triple-Pane

8' 0" Single Door

FIXED VENT

	(476) (457)	(664) (645)	(781) (762)	(870) (851)	(933) (914)	(981) (962)
Opening	1' 6 3/4"	2' 2 1/8"	2' 6 3/4"	2' 10 1/4"	3' 0 3/4"	3' 2 5/8"
Frame	1' 6"	2' 1 3/8"	2' 6"	2' 9 1/2"	3' 0"	3' 1 7/8"
	1896	2696	3096	3496	3696	3896

Single-Swing Doors

FIXED-ACTIVE

	(1 289) (1 270)	(1 524) (1 505)	(1 702) (1 682)	(1 829) (1 810)	(1 924) (1 905)
Opening	4' 2 3/4"	5' 0"	5' 7"	6' 0"	6' 3 3/4"
Frame	4' 2"	4' 11 1/4"	5' 6 1/4"	5' 11 1/4"	6' 3"
	5096	6096	6796	7296	7596

Double-Swing Doors

ACTIVE-INACTIVE

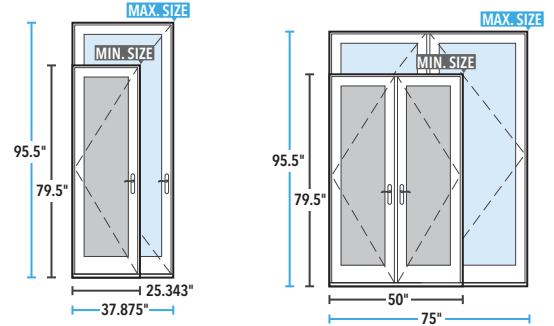
	(1 289) (1 270)	(1 524) (1 505)	(1 702) (1 682)	(1 829) (1 810)	(1 924) (1 905)
Opening	4' 2 3/4"	5' 0"	5' 7"	6' 0"	6' 3 3/4"
Frame	4' 2"	4' 11 1/4"	5' 6 1/4"	5' 11 1/4"	6' 3"
	5096	6096	6796	7296	7596

Not to scale.



In-Swing Door Special Size Frame Dimensions*

	Minimum	Maximum
Single Door	2' 1-11/32" W x 6' 7-1/2" H (25-11/32" x 79-1/2") (644 x 2 019)	3' 1" W x 7' 11" H (37-7/8" x 95-1/2") (962 x 2 426)
Double Door	4' 2" W x 6' 7-1/2" H (50" x 79-1/2") (1 270 x 2 019)	6' 3" W x 7' 11" H (75" x 95-1/2") (1 905 x 2 426)
Transom	2' 2" W x 1' 2" H (26" x 14") (660 x 356)	6' 3" W x 2' 1" H (75" x 25") (1 905 x 635)
Sidelight	1' 6" W x 6' 7-1/2" H (18" x 79-1/2") (457 x 2 019)	1' 6" W x 7' 11" H (18" x 95-1/2") (457 x 2 426)



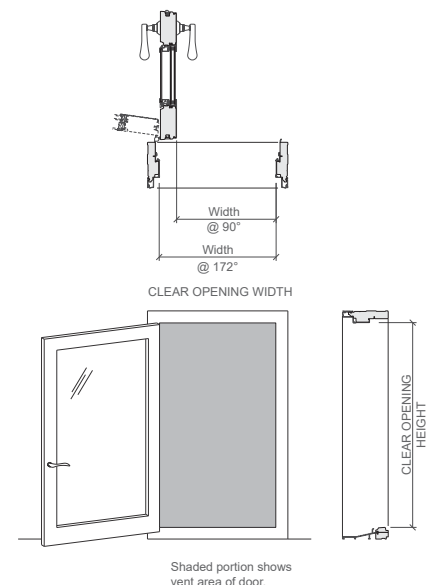
In-Swing Door Glass Formulas

	Single Door	Double Door	Sidelight	Transom
Visible Glass Dual-Pane	Width = Frame - 10.7" Height = Frame - 15.2535"	Width = Frame - 20.65" ÷ 2 Height = Frame - 15.2535"	NA	Width = Frame - 3.25" Height = Frame - 3.25"
Actual Glass Dual-Pane	Width = Frame - 9.52" Height = Frame - 14.0735"	Width = Frame - 18.29" ÷ 2 Height = Frame - 14.0735"	NA	Width = Frame - 2" Height = Frame - 2"
Visible Glass ₁ Triple-Pane	Width = Frame - 12.436" Height = Frame - 16.185"	Width = Frame - 24.122" ÷ 2 Height = Frame - 16.185"	Width = Frame - 9.02" Height = Frame - 16.185"	NA
Actual Glass ₁ Triple-Pane	Width = Frame - 11.313" Height = Frame - 15.0625"	Width = Frame - 21.876" ÷ 2 Height = Frame - 15.0625"	Width = Frame - 7.875" Height = Frame - 15.0625"	NA

Clear Opening Formula

	Width	Height
Triple-Pane Clear Opening (@ 90°)	Double Door—Active Panel = Frame Width - 4.9375" ÷ 2 Double Door—Both Panels = Frame - 7.5" Single Door = Frame - 4.9375"	Height = Frame - 3.25"
Triple-Pane Clear Opening (@ 172°)	Double Door—Active Panel = Frame Width - 4.375" ÷ 2 Double Door—Both Panels = Frame - 6.65625" Single Door = Frame - 3"	Height = Frame - 3.25"
Dual-Pane Clear Opening (@ 90°)	Double Door—Active Panel = Frame Width - 4.9375" ÷ 2 Double Door—Both Panels = Frame - 7.5" Single Door = Frame - 5.3125"	Height = Frame - 3.0625"
Dual-Pane Clear Opening (@ 176°)	Double Door—Active Panel = Frame Width - 2.6875" ÷ 2 Double Door—Both Panels = Frame - 6" Single Door = Frame - 3.0625"	Height = Frame - 3.0625"

Clear Opening Schematic



* Available for Triple-Pane only, within size range shown. Keep frame dimensions to the nearest 1/4" increment.

(1) Dimensions of exterior light. Visible Glass of interior Moveable Light is 1/4" smaller.

To convert areas to square meters (m²), multiply square feet by 0.0929.



Lifestyle Series In-Swing Patio Door

Design Data

Dual-Pane								
Unit	Single and Double Doors	Clear Opening (Inches) ¹			Vent Area Ft ²	Visible Glass Ft ²	Standard Glass Thickness (mm) Tempered	Performance Class & Grade ²
		Width (Open 176°)	Width (Open 90°)	Height (Inches)				
3080	F	–	–	–	–	8.6	3	LC50
3480	F	–	–	–	–	10.2	3	LC50
3680	F	–	–	–	–	11.3	3	LC50
3880	F	–	–	–	–	12.1	3	LC50
3080	L/R	26-15/16	24-11/16	76-7/16	14.3	8.6	3	LC50
3480	L/R	30-7/16	28-3/16	76-7/16	16.2	10.2	3	LC50
3680	L/R	32-15/16	30-11/16	76-7/16	17.5	11.3	3	LC50
3880	L/R	34-13/16	32-9/16	76-7/16	18.5	12.1	3	LC50
6080	AI / IA	56-1/4	51-3/4	76-7/16	29.9	17.2	3	LC50
6780	AI / IA	63-1/4	58-3/4	76-7/16	33.6	20.3	3	LC50
7280	AI / IA	68-1/4	63-3/4	76-7/16	36.2	22.6	3	LC50
7580	AI / IA	72	67-1/2	76-7/16	38.2	24.2	3	LC50
6080	FA/AF	26-15/16	24-11/16	76-7/16	14.3	17.2	3	LC50
6780	FA/AF	30-7/16	28-3/16	76-7/16	16.2	20.3	3	LC50
7280	FA/AF	32-15/16	30-11/16	76-7/16	17.5	22.6	3	LC50
7580	FA/AF	34-13/16	32-9/16	76-7/16	18.5	24.2	3	LC50
3082	F	–	–	–	–	8.9	3	LC50
3482	F	–	–	–	–	10.5	3	LC50
3682	F	–	–	–	–	11.6	3	LC50
3882	F	–	–	–	–	12.5	3	LC50
3082	L/R	26-15/16	24-11/16	78-7/16	14.7	8.9	3	LC50
3482	L/R	30-7/16	28-3/16	78-7/16	16.6	10.5	3	LC50
3682	L/R	32-15/16	30-11/16	78-7/16	17.9	11.6	3	LC50
3882	L/R	34-13/16	32-9/16	78-7/16	19.0	12.5	3	LC50
6082	AI / IA	56-1/4	51-3/4	78-7/16	30.6	17.8	3	LC50
6782	AI / IA	63-1/4	58-3/4	78-7/16	34.5	21.0	3	LC50
7282	AI / IA	68-1/4	63-3/4	78-7/16	37.2	23.3	3	LC50
7582	AI / IA	72	67-1/2	78-7/16	39.2	25.0	3	LC50
6082	FA/AF	26-15/16	24-11/16	78-7/16	14.7	17.8	3	LC50
6782	FA/AF	30-7/16	28-3/16	78-7/16	16.6	21.0	3	LC50
7282	FA/AF	32-15/16	30-11/16	78-7/16	17.9	23.3	3	LC50
7582	FA/AF	34-13/16	32-9/16	78-7/16	19.0	25.0	3	LC50
3096	F	–	–	–	–	10.8	4	LC50
3496	F	–	–	–	–	12.7	4	LC50
3696	F	–	–	–	–	14.1	4	LC50
3896	F	–	–	–	–	15.1	4	LC50
3096	L/R	26-15/16	24-11/16	92-7/16	17.3	10.8	4	LC50
3496	L/R	30-7/16	28-3/16	92-7/16	19.5	12.7	4	LC50
3696	L/R	32-15/16	30-11/16	92-7/16	21.1	14.1	4	LC50
3896	L/R	34-13/16	32-9/16	92-7/16	22.3	15.1	4	LC50
6796	AI / IA	63-1/4	58-3/4	92-7/16	40.6	25.4	4	LC50
6096	AI / IA	56-1/4	51-3/4	92-7/16	36.1	21.5	4	LC50
7296	AI / IA	68-1/4	63-3/4	92-7/16	43.8	28.2	4	LC50
7596	AI / IA	72	67-1/2	92-7/16	46.2	30.3	4	LC50
6096	FA/AF	26-15/16	24-11/16	92-7/16	17.3	21.5	4	LC50
6796	FA/AF	30-7/16	28-3/16	92-7/16	19.5	25.4	4	LC50
7296	FA/AF	32-15/16	30-11/16	92-7/16	21.1	28.2	4	LC50
7596	FA/AF	34-13/16	32-9/16	92-7/16	22.3	30.3	4	LC50

(-) = Not Applicable

(1) All dimensions are approximate to the nearest 1/16".

(2) Maximum Performance when glazed with the appropriate glass thickness. All doors are glazed with tempered glass.

To convert areas to square meters (m²), multiply square feet by 0.0929.



Lifestyle Series In-Swing Patio Door

Design Data

Triple-Pane									
	Unit	Single and Double Doors	Clear Opening (Inches) ₁			Vent Area Ft ²	Visible Glass Ft ²	Standard Glass Thickness (mm) Tempered	Performance Class & Grade ₂
			Width (Open 172°)	Width (Open 90°)	Height (Inches)				
6' 7-1/2" Doors	3080	F	–	–	–	–	7.7	3	LC55
	3480	F	–	–	–	–	9.3	3	LC55
	3680	F	–	–	–	–	10.4	3	LC55
	3880	F	–	–	–	–	11.2	3	LC55
	3080	L/R	27	25-1/16	76-1/4	14.3	7.7	3	LC55
	3480	L/R	30-1/2	28-3/16	76-1/4	16.2	9.3	3	LC55
	3680	L/R	33	31-1/16	76-1/4	17.5	10.4	3	LC55
	3880	L/R	34-7/8	32-15/16	76-1/4	18.5	11.2	3	LC55
	6080	AI / IA	52-9/16	51-3/4	76-1/4	27.8	15.4	3	LC55
	6780	AI / IA	59-9/16	58-3/4	76-1/4	31.6	18.5	3	LC55
	7280	AI / IA	64-9/16	63-3/4	76-1/4	34.2	20.7	3	LC55
	7580	AI / IA	68-9/16	67-1/2	76-1/4	36.2	22.4	3	LC55
	6080	FA/AF	25-1/4	24-11/16	76-1/4	13.4	15.4	3	LC55
	6780	FA/AF	28-3/4	28-3/16	76-1/4	15.2	18.5	3	LC55
	7280	FA/AF	31-1/4	30-11/16	76-1/4	16.5	20.7	3	LC55
	7580	FA/AF	33-1/8	32-9/16	76-1/4	17.5	22.4	3	LC55
6' 10" Doors	3082	F	–	–	–	–	8.0	3	LC55
	3482	F	–	–	–	–	9.6	3	LC55
	3682	F	–	–	–	–	10.7	3	LC55
	3882	F	–	–	–	–	11.5	3	LC55
	3082	L/R	27	25-1/16	78-1/4	14.7	8.0	3	LC55
	3482	L/R	30-1/2	28-3/16	78-1/4	16.6	9.6	3	LC55
	3682	L/R	33	31-1/16	78-1/4	17.9	10.7	3	LC55
	3882	L/R	34-7/8	32-15/16	78-1/4	19.0	11.5	3	LC55
	6082	AI / IA	52-9/16	51-3/4	78-1/4	28.6	15.9	3	LC55
	6782	AI / IA	59-9/16	58-3/4	78-1/4	32.4	19.1	3	LC55
	7282	AI / IA	64-9/16	63-3/4	78-1/4	35.1	21.4	3	LC55
	7582	AI / IA	68-9/16	67-1/2	78-1/4	37.1	23.1	3	LC55
	6082	FA/AF	25-1/4	24-11/16	78-1/4	13.7	15.9	3	LC55
	6782	FA/AF	28-3/4	28-3/16	78-1/4	15.6	19.1	3	LC55
	7282	FA/AF	31-1/4	30-11/16	78-1/4	17.0	21.4	3	LC55
	7582	FA/AF	33-1/8	32-9/16	78-1/4	18.0	23.1	3	LC55
8' Doors	3096	F	–	–	–	–	9.7	3	LC55
	3496	F	–	–	–	–	11.6	3	LC55
	3696	F	–	–	–	–	13.0	3	LC55
	3896	F	–	–	–	–	14.0	3	LC55
	3096	L/R	27	25-1/16	92-1/4	17.3	9.7	3	LC55
	3496	L/R	30-1/2	28-3/16	92-1/4	19.5	11.6	3	LC55
	3696	L/R	33	31-1/16	92-1/4	21.1	13.0	3	LC55
	3896	L/R	34-7/8	32-15/16	92-1/4	22.3	14.0	3	LC55
	6796	AI / IA	52-9/16	51-3/4	92-1/4	33.7	19.3	3	LC55
	6096	AI / IA	59-9/16	58-3/4	92-1/4	38.2	23.2	3	LC55
	7296	AI / IA	64-9/16	63-3/4	92-1/4	41.4	26.0	3	LC55
	7596	AI / IA	68-9/16	67-1/2	92-1/4	43.8	28.0	3	LC55
	6096	FA/AF	25-1/4	24-11/16	92-1/4	16.2	19.3	3	LC55
	6796	FA/AF	28-3/4	28-3/16	92-1/4	18.4	23.2	3	LC55
	7296	FA/AF	31-1/4	30-11/16	92-1/4	20.0	26.0	3	LC55
	7596	FA/AF	33-1/8	32-9/16	92-1/4	21.2	28.0	3	LC55

(-) = Not Applicable

(1) All dimensions are approximate to the nearest 1/16".

(2) Maximum Performance when glazed with the appropriate glass thickness. All doors are glazed with tempered glass.

To convert areas to square meters (m²), multiply square feet by 0.0929.



Lifestyle Series In-Swing Patio Door

Design Data

Transoms				
Unit	Visible Glass Ft ²	Standard Glass Thickness (mm)		Performance Class and Grade ₁
		Annealed	Tempered	
3014	2.0	3	3	CW90
3017	2.6	3	3	CW90
3025	4.0	3	3	CW90
3414	2.3	3	3	CW90
3417	2.9	3	3	CW90
3425	4.6	3	3	CW90
3614	2.4	3	3	CW90
3617	3.1	3	3	CW90
3625	4.9	3	3	CW90
3814	2.6	3	3	CW90
3817	3.3	3	3	CW90
3825	5.2	3	3	CW90
5014	3.5	3	3	CW90
5017	4.5	3	3	CW90
5025	7.1	3	3	CW75 / CW90
6014	4.2	3	3	CW90
6017	5.4	3	3	CW90
6025	8.6	3	3	CW55 / CW90
6714	4.7	3	3	CW60
6717	6.0	3	3	CW60
6725	9.5	3	3	CW50 / CW60
7214 _T	5.1	–	3	CW60
7217	6.6	3	3	CW60
7225	10.4	3	3	CW45 / CW60
7514 _T	5.4	–	3	CW60
7517	6.9	3	3	CW60
7525	10.8	3	3	CW45 / CW60

Sidelights (Triple-Pane Only)			
Unit	Visible Glass Ft ²	Frame Area Ft ²	Performance Class and Grade ₁
1880	3.9	9.9	LC55
1881	4.0	10.0	LC55
1882	4.0	10.2	LC55
1886	4.3	10.8	LC55
1896	4.9	11.9	LC55

(–) = Not Applicable

T = Tempered glass is standard.

(1) Maximum performance when glazed with the appropriate glass thickness. Second value, where shown, requires tempered glass.

All doors are glazed with tempered glass.

To convert areas to square meters (m²), multiply square feet by 0.0929.



Lifestyle Series In-Swing Patio Door

Detailed Product Description

Frame

- Select softwood, immersion treated with Pella's EnduraGuard® wood protection formula in accordance with WDMA I.S.-4. The EnduraGuard formula includes three active ingredients for protection against the effects of moisture, decay, stains from mold and mildew. Plus, an additional ingredient adds protection against termite damage.
- Interior exposed surfaces are clear pine, edge-banded or veneered.
- Exterior surfaces are clad with aluminum at the head and jambs.
- Components are assembled with screws, staples and concealed corner locks.
- Overall frame depth is 5" (127 mm) for a wall depth of 3-11/16" (94 mm).
- Frame depth between 5-7/8" (149 mm) to 8-5/8" (219 mm), for wall depth between 4-9/16" (116 mm) to 7-5/16" (186 mm).
- Optional factory-applied EnduraClad® exterior trim.
- Solid extruded aluminum sill with [Black] [mill] finish with oak threshold.

Door Panels

- Select softwood, immersion treated with Pella's EnduraGuard® wood protection formula in accordance with WDMA I.S.-4. The EnduraGuard formula includes three active ingredients for protection against the effects of moisture, decay, stains from mold and mildew. Plus, an additional ingredient adds protection against termite damage.
- Interior exposed surfaces are veneered with clear pine with no visible fastener holes.
- Exterior surfaces are clad with aluminum.
- Panel rails and hinge stiles are three-ply construction, randomly finger-jointed blocks laminated with water-resistant glue and pine-veneered on both sides.
- Panel lock stiles are constructed with LVL core with clear pine edge bands on both sides and veneered on both faces.
- Corners are urethane-sealed and secured with metal fasteners.
- Panel thickness is 2-1/16" (52 mm).

Weatherstripping

- Dual-durometer extruded polymer along perimeter of door frames and along the bottom of door panels.

Glazing System 1

- Quality fully-tempered float glass complying with ASTM C 1048.
- High altitude glazing available.
- Silicone-glazed 1 1/16" [obscure] dual-seal insulating glass [[annealed] [tempered]] [[Advanced Low-E] [SunDefense™ Low-E] [AdvancedComfort Low-E] [NaturalSun Low-E] with argon].
- Triple-Pane Glazing System:
 - Exterior silicone-glazed 1 1/16" [obscure] dual-seal insulating glass, [[annealed] [tempered]] [[Advanced Low-E] [SunDefense™ Low-E] [AdvancedComfort Low-E] [NaturalSun Low-E] with argon].
 - Interior hinged clear tempered glass panel set in a [veneered (for stain fishes)] aluminum frame, fitted to door panel with continuous gasket seal.
 - Airspace between insulating glass and hinge glass panel is 1-1/32".

Exterior

- Exterior aluminum surfaces are finished with EnduraClad® protective finish, in a multi-step, baked-on finish.
- Finish color [Standard] [Black] [White] [Brown] [Fossil]] [Feature [Iron Ore] Wolf gray] [Classic White] [Almond] [Portobello] [Putty] [Brick Red] [Hartford Green]].

Interior

- [Unfinished, ready for site finishing] [factory primed with one coat acrylic latex] [factory prefinished [White] [Linen White] [Bright White] [stain 1]].

Hardware

- Hinges are adjustable to help with installation.
- Doors over 7' 0" frame height have four (4) hinges per panel.
- Doors 7' 0" and under frame height have three (3) hinges per panel.
- Mortised and keyed multi-point locking system, center deadbolt and shoot-bolts at head and sill will engage simultaneously.
- Solid brass handles and keylock with K-keyway cylinder.
- Key cylinder finish is [Brass] [Stainless Steel] [Matte Black].
- Hardware finish (Handle, Hinges and Strike) is [baked enamel [White] [Champagne] [Brown] [Matte Black]] [Satin Nickel] [Satin Brass].

Optional Products

Grilles

- Simulated-Divided-Light [with optional spacer] (Dual-pane glazing)
 - 7/8" Grilles permanently bonded to the interior and exterior of glass.
 - Patterns are [Traditional] [Prairie] [Cross] [Top Row] [Custom - Equally Divided].
 - Interior surfaces are [unfinished, ready for site finishing] [factory primed] [pine: factory prefinished [White] [Linen White] [Bright White] [stain 1]].
 - Exterior color to match the exterior cladding color.
- Simulated-Divided-Light with Grilles-Between-the-Glass (Triple-pane glazing)
 - 3/4" Grilles permanently bonded to the exterior of glass.
 - Patterns are [Traditional] [Prairie] [Cross] [Top Row] [Custom - Equally Divided].
 - Exterior color to match the exterior cladding color.
 - Insulating glass contains 3/4" contoured aluminum grilles permanently installed between two panes of glass.
 - Interior color is [White] [Ivory] [Tan3] [Brickstone] [Black] [Putty3] [Brown3] [Harvest] [Cordovan].

- or -

Grilles-Between-the-Glass2

- Insulating glass contains 3/4" contoured aluminum grilles permanently installed between two panes of glass.
- Patterns are [Traditional] [9-Lite Prairie] [Top Row] [Cross] [Custom - Equally Divided].
- Interior color is [White] [Ivory] [Tan3] [Brickstone3] [Black] [Putty3] [Brown] [Harvest] [Cordovan].
- Exterior color [matched to the exterior cladding color] [White]4.

Screens

- Finish matches exterior cladding.
- Hinged Insect Screens:
 - Compliance: ASTM D 3656 and the performance requirements of SMA 1201.
 - Screen Cloth: InView™ Vinyl-coated fiberglass, 18/18 mesh fiberglass screen cloth complying the performance requirements of SMA 1201.
 - Extruded-aluminum frame, hinged to door frame.
 - Complete with necessary hardware.
 - Hardware Color: [Champagne] [Matte Black] [White] [Oil-Rubbed Bronze] [Satin Nickel].

- or -

Exterior Sliding Insect Screens:

- Compliance: ASTM D 3656 and the performance requirements of SMA 1201.
- Screen Cloth: InView™ Vinyl-coated fiberglass, 18/18 mesh fiberglass screen cloth complying the performance requirements of SMA 1201.
- Extruded-aluminum frame, top hung on 2 adjustable nylon rollers.
- Complete with necessary hardware.
- Hardware Color: [White] [Tan] [Brown] [Matte Black].

Integrated Between-the-Glass Window Fashions (Triple-Pane glazing only)1

- Slimshade® Blinds
 - 15 mm aluminum slat, bottom-up blinds with polyester cord ladder
 - Installed in sash between double glazing and interior hinged glass panel.
 - Operated with cordless operator or motorized with Insynctive® technology.
- Cellular Fabric Shades
 - 1 1/16" width, bottom-up shades with hidden polyester cord, spun bond Polyethylene Terephthalate (PET) cellular fabric.
 - Installed in sash between double glazing and interior hinged glass panel.
 - Operated with cordless operator or motorized with Insynctive® technology.

- or -

Sensors

- Optional factory installed integrated security sensors available in vent units.

(1) Contact your local Pella sales representative for current designs and color options.

(2) Available on units glazed with Low-E insulated glass with argon, and obscure insulated glass.

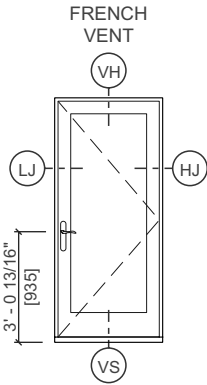
(3) Tan, brickstone and putty Interior GBG colors are available only with matching interior and exterior colors.

(4) Appearance of exterior grille color will vary depending on Low-E coating on glass.

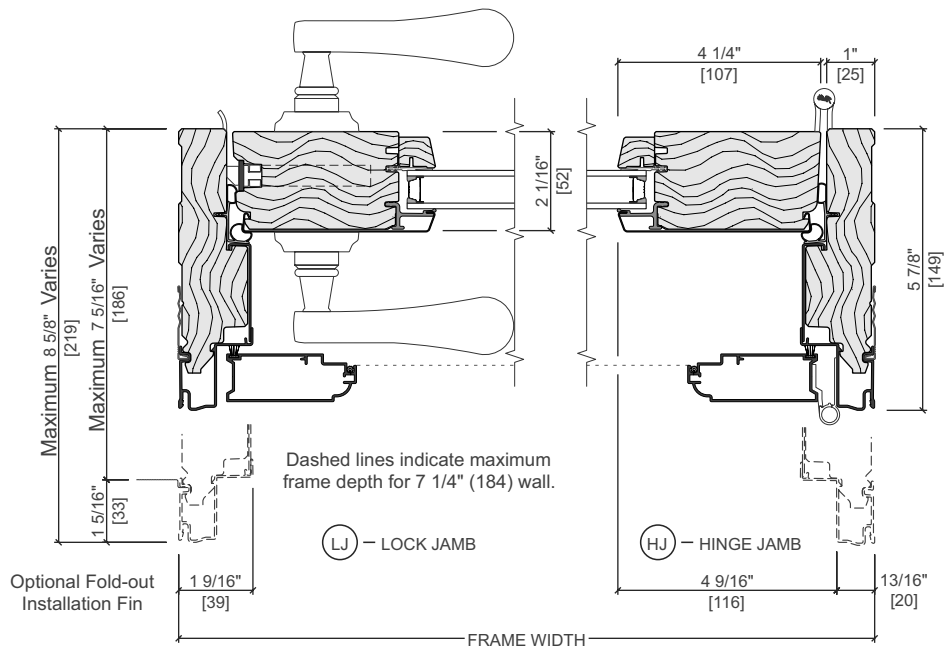
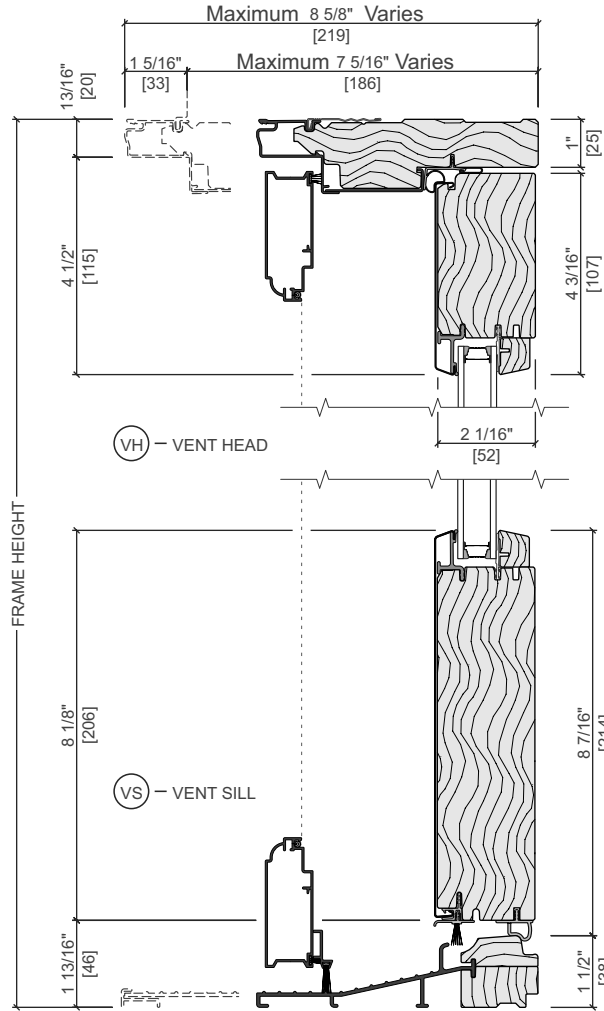


Lifestyle Series In-Swing Patio Door

Unit Sections - Dual-Pane



Handle Height Dimension shown is from bottom of unit frame to door handle. Installation method used and finished flooring conditions will cause handle height to vary. Doors not using the standard Pella multipoint lock and hardware (specified as 'No lock/No Bore') are not Hallmark certified.

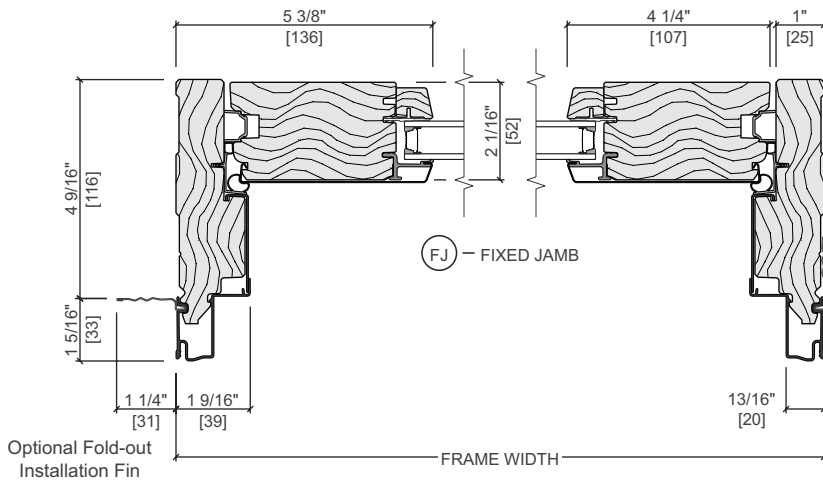
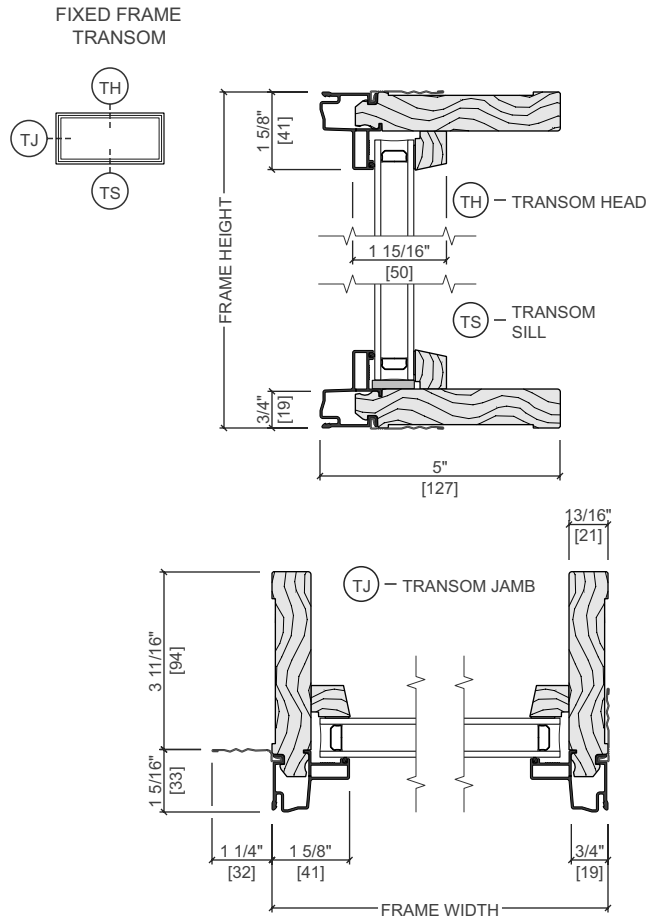
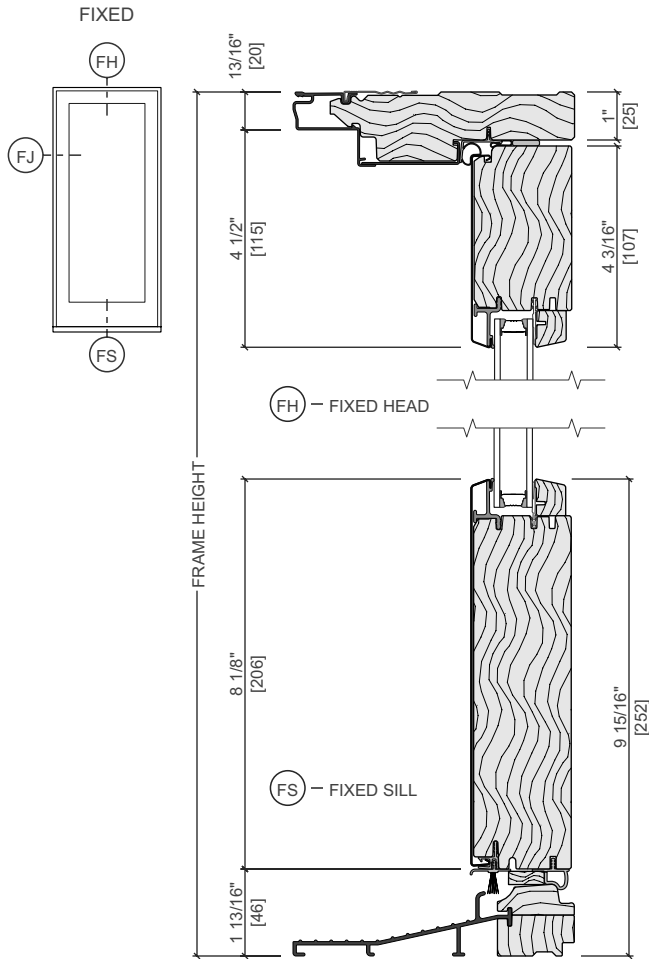


Scale 3" = 1' 0"
All dimensions are approximate.

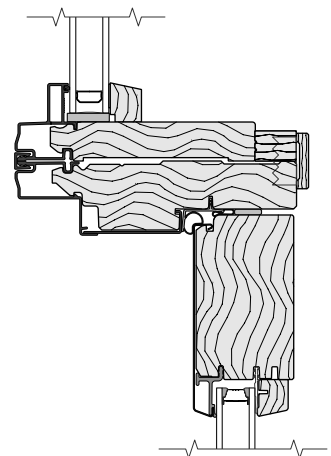


Lifestyle Series In-Swing Patio Door

Unit Sections - Dual-Pane



**HORIZONTAL JOINING MULLION
FIXED FRAME TRANSOM /
IN-SWING DOOR**



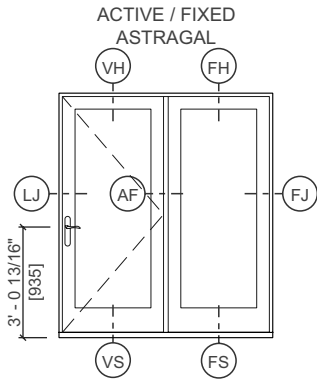
Use standard joining mullions when joining fixed door panels. Sidelights or fixed panels may be joined directly to operable door panels. Composite must be installed with head drip fin and installation fins per standard installation instructions. Structural mullion must be used for all other combinations.

Scale 3" = 1' 0"
All dimensions are approximate.

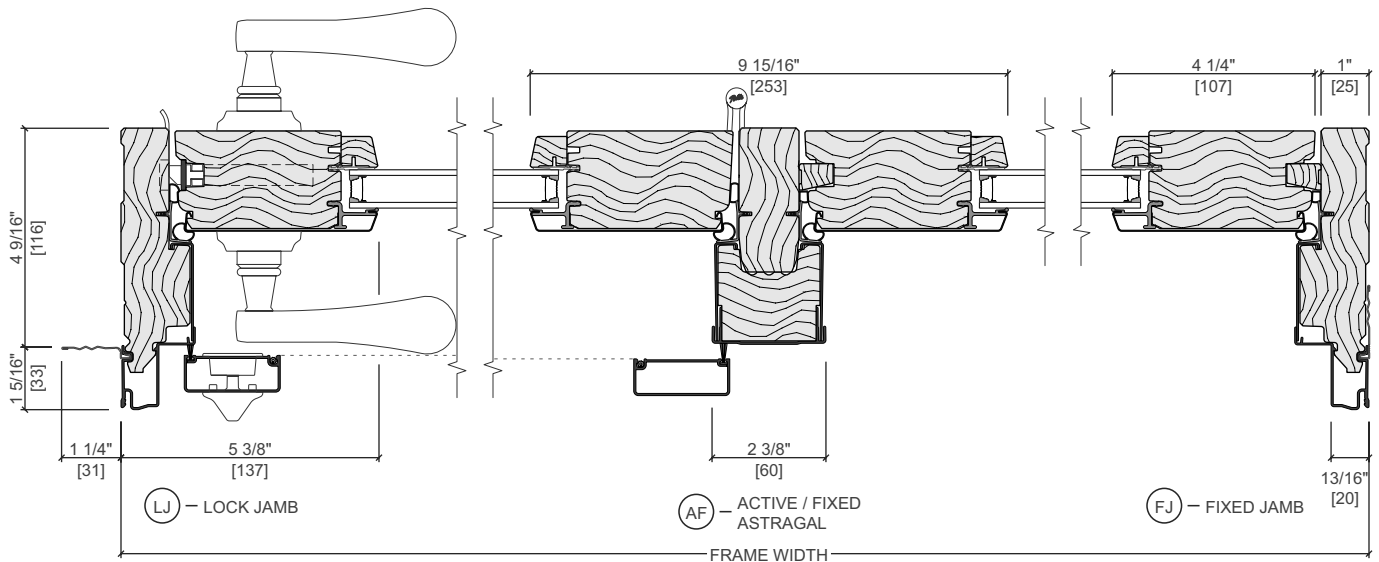
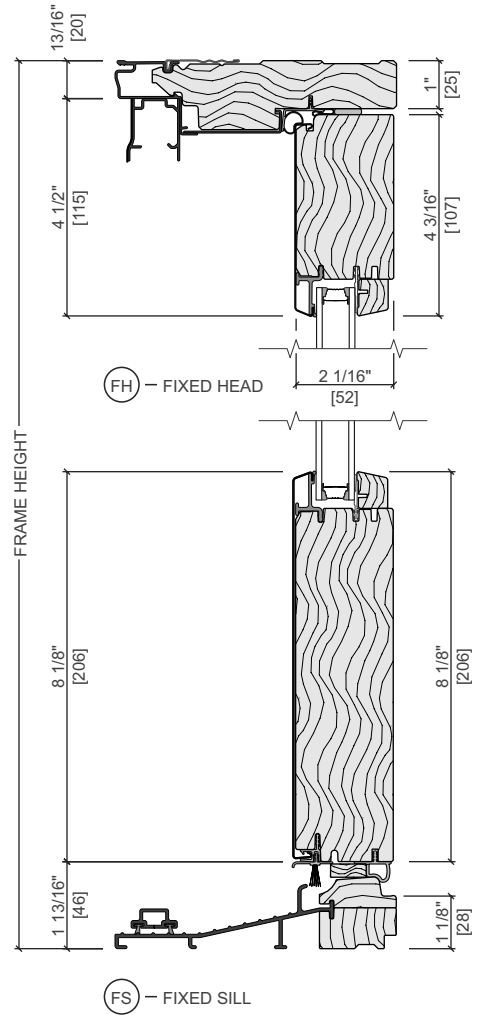
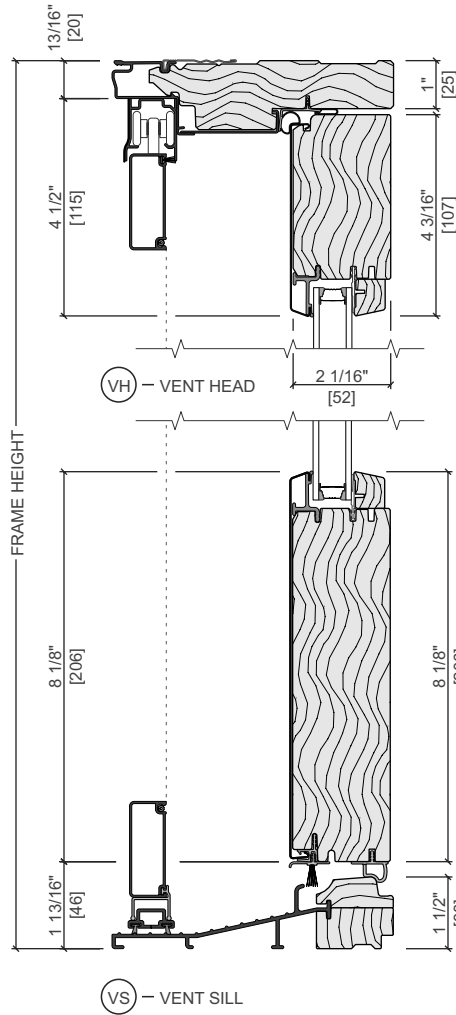


Lifestyle Series In-Swing Patio Door

Unit Sections - Dual-Pane



Handle Height Dimension shown is from bottom of unit frame to door handle. Installation method used and finished flooring conditions will cause handle height to vary. Doors not using the standard Pella multipoint lock and hardware (specified as 'No lock/No Bore') are not Hallmark certified.

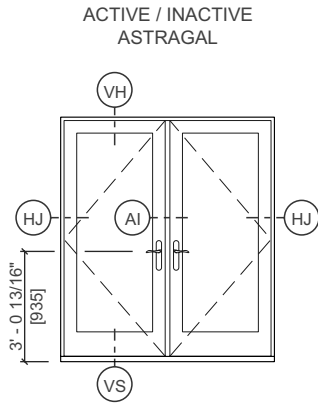


Scale 3" = 1' 0"
All dimensions are approximate.

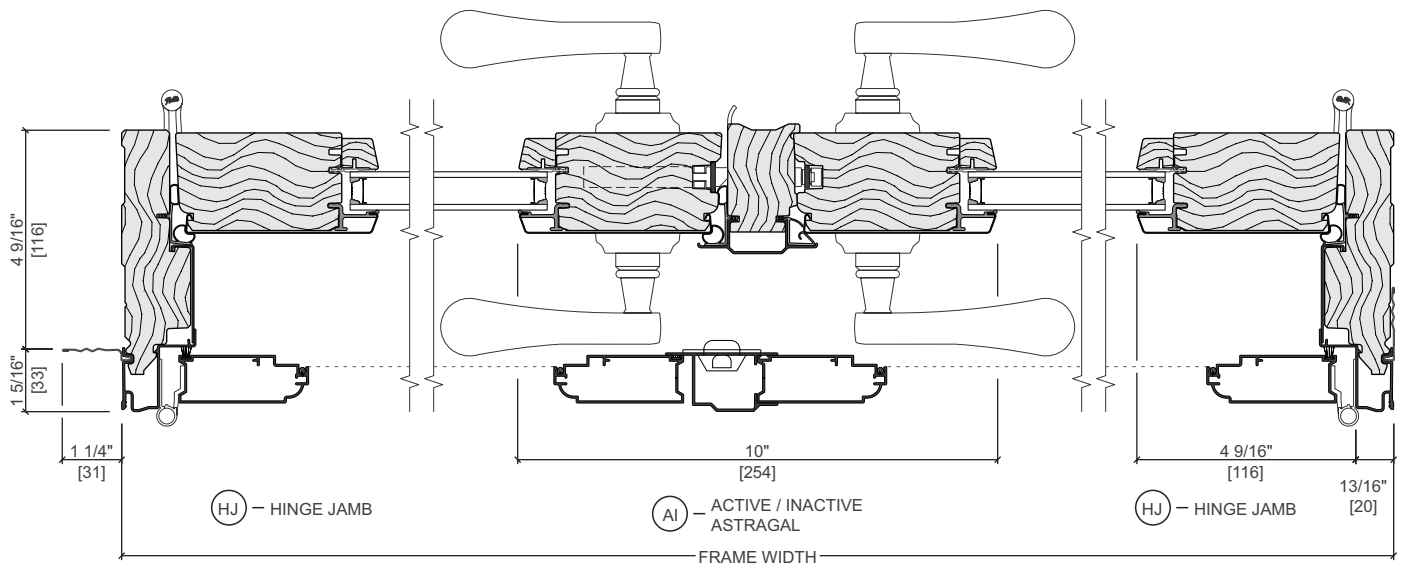
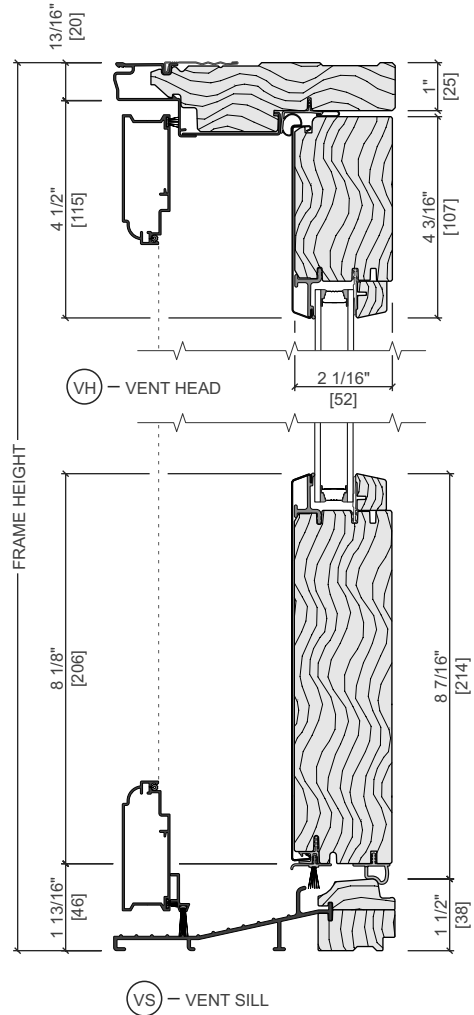


Lifestyle Series In-Swing Patio Door

Unit Sections - Dual-Pane



Handle Height Dimension shown is from bottom of unit frame to door handle. Installation method used and finished flooring conditions will cause handle height to vary. Doors not using the standard Pella multipoint lock and hardware (specified as 'No lock/No Bore') are not Hallmark certified.

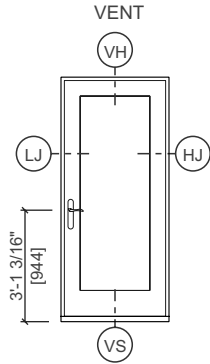


Scale 3" = 1' 0"
All dimensions are approximate.

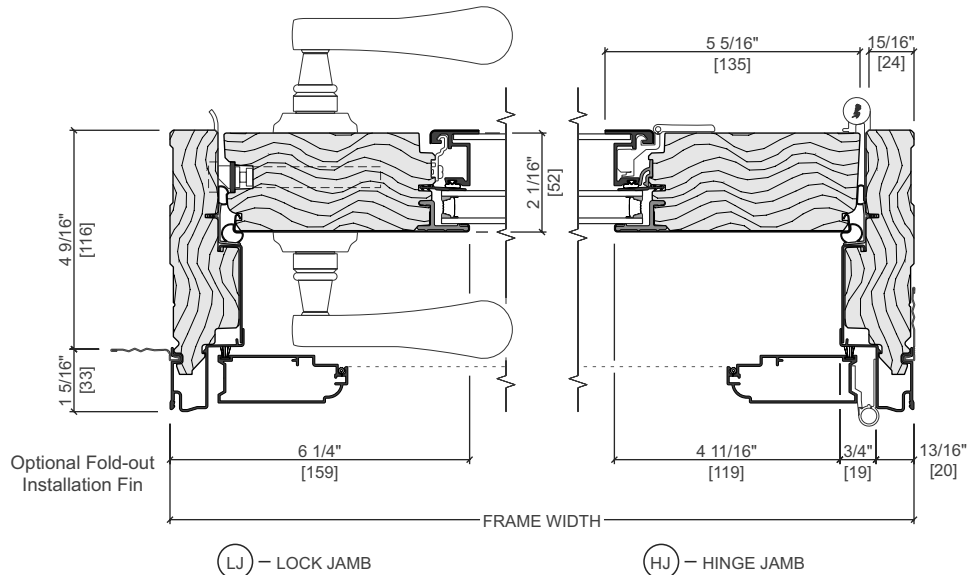
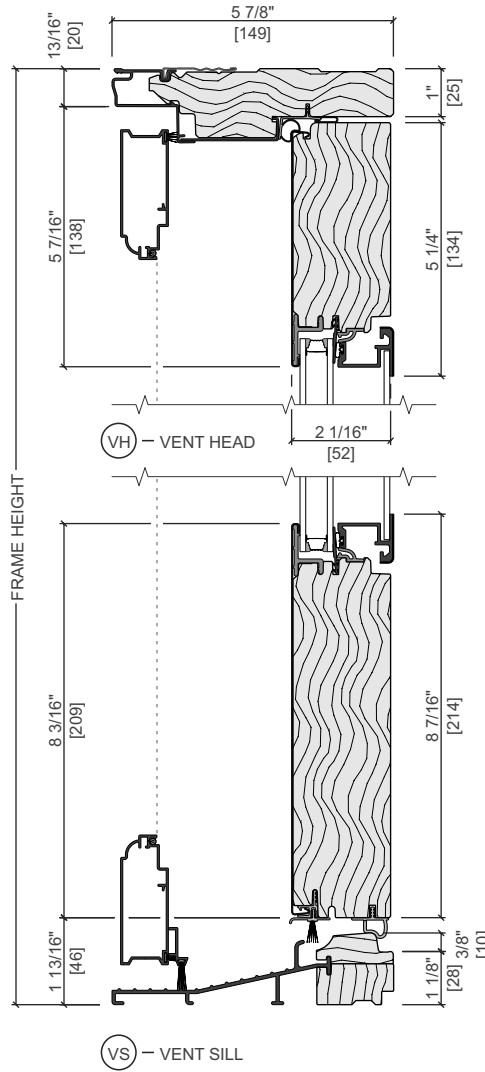


Lifestyle Series In-Swing Patio Door

Unit Sections - Triple-Pane



Handle Height Dimension shown is from bottom of unit frame to door handle. Installation method used and finished flooring conditions will cause handle height to vary. Doors not using the standard Pella multipoint lock and hardware (specified as 'No lock/No Bore') are not Hallmark certified.



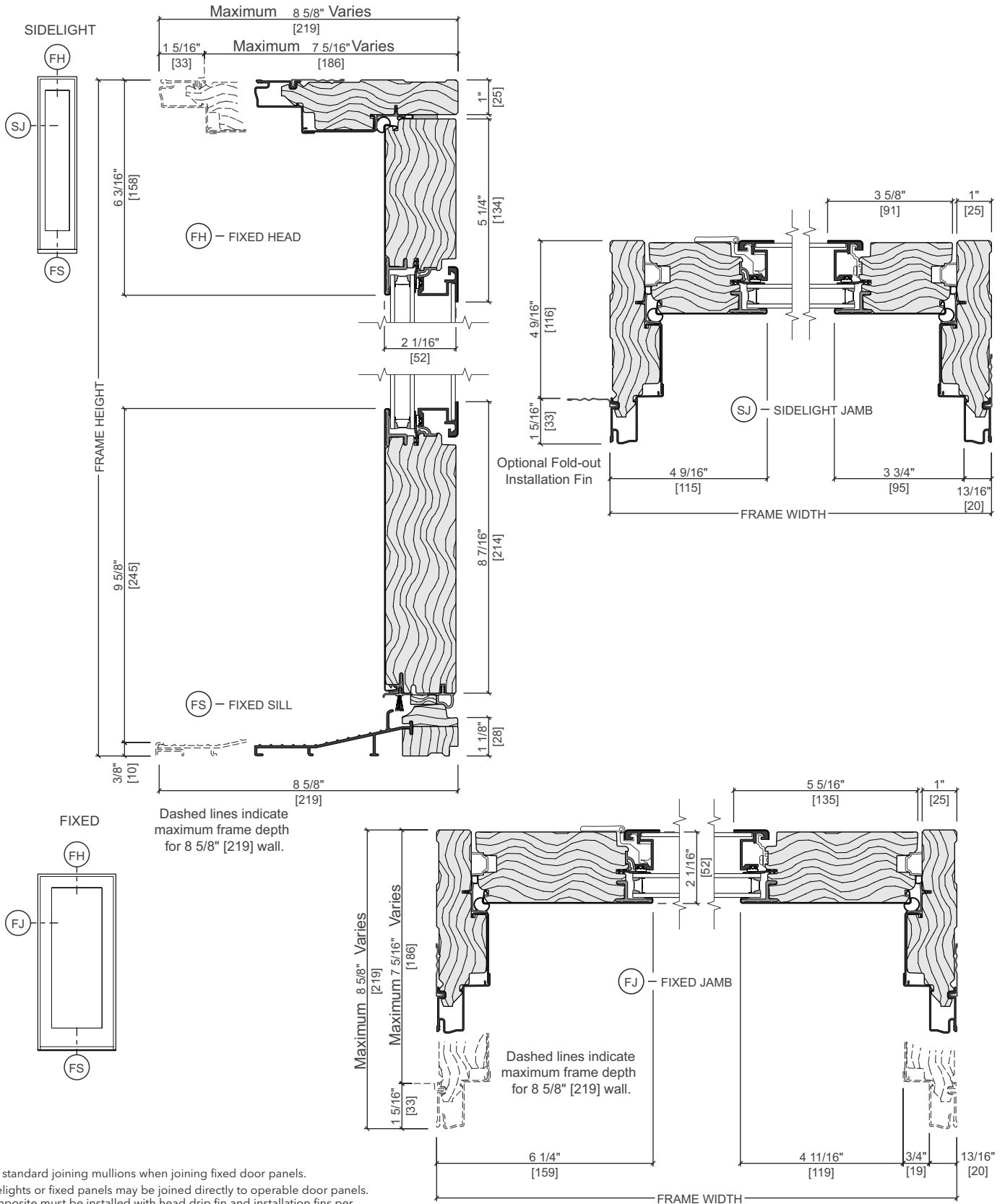
Scale 3" = 1' 0"

All dimensions are approximate.



Lifestyle Series In-Swing Patio Door

Unit Sections - Triple-Pane



Use standard joining mullions when joining fixed door panels. Sidelights or fixed panels may be joined directly to operable door panels. Composite must be installed with head drip fin and installation fins per standard installation instructions. Structural mullion must be used for all other combinations.

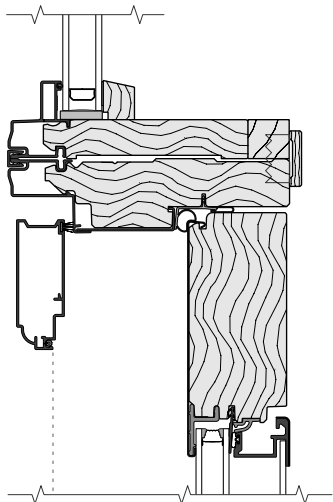
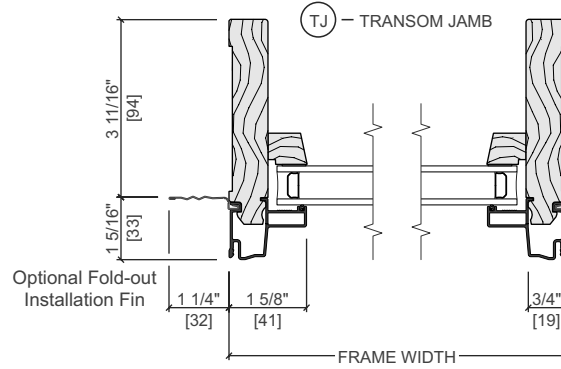
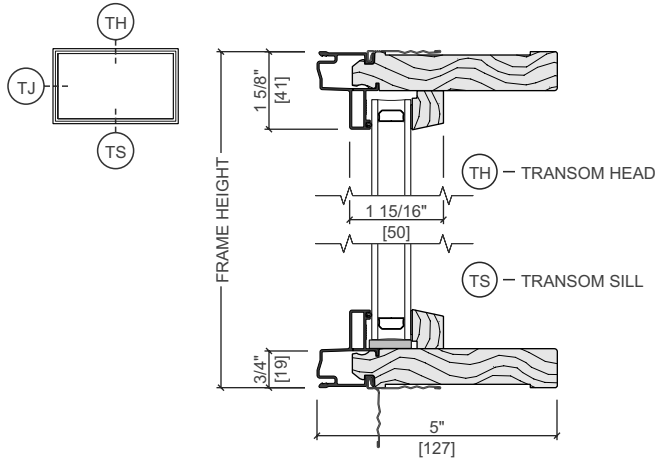
Scale 3" = 1' 0"
All dimensions are approximate.



Lifestyle Series In-Swing Patio Door

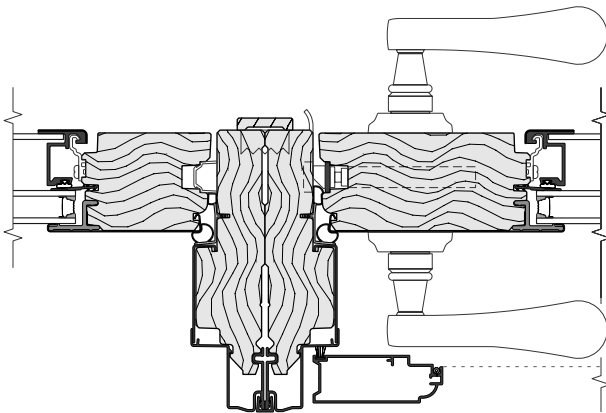
Unit Sections - Triple-Pane

FIXED FRAME TRANSOM

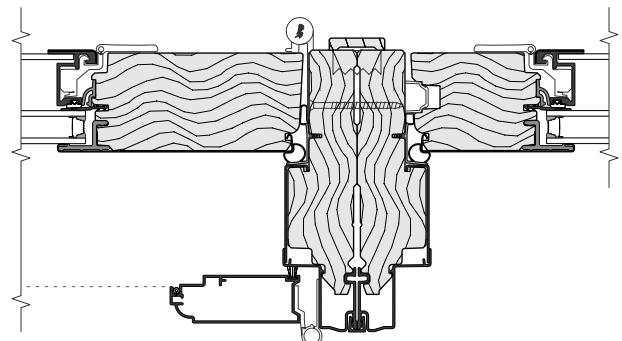


HORIZONTAL JOINING MULLION
TRANSOM / IN-SWING FRENCH DOOR

Use standard joining mullions when joining fixed door panels. Sidelights or fixed panels may be joined directly to operable door panels. Composite must be installed with head drip fin and installation fins per standard installation instructions. Structural mullion must be used for all other combinations.



VERTICAL JOINING MULLION
SIDELIGHT/JAMB



VERTICAL JOINING MULLION
HINGE JAMB \ SIDELIGHT

Scale 3" = 1' 0"

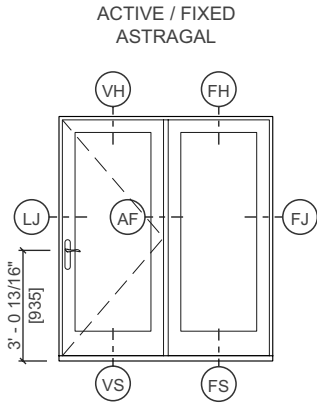
All dimensions are approximate.

See www.Pella.com for mullion limitations and reinforcing requirements.

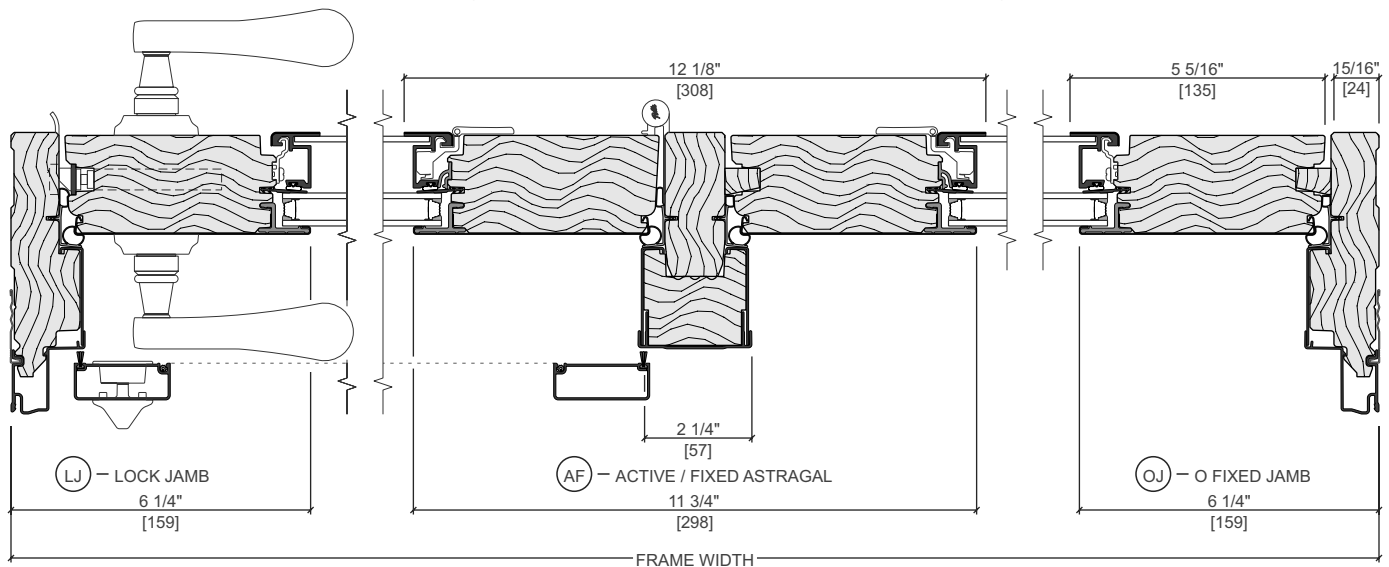
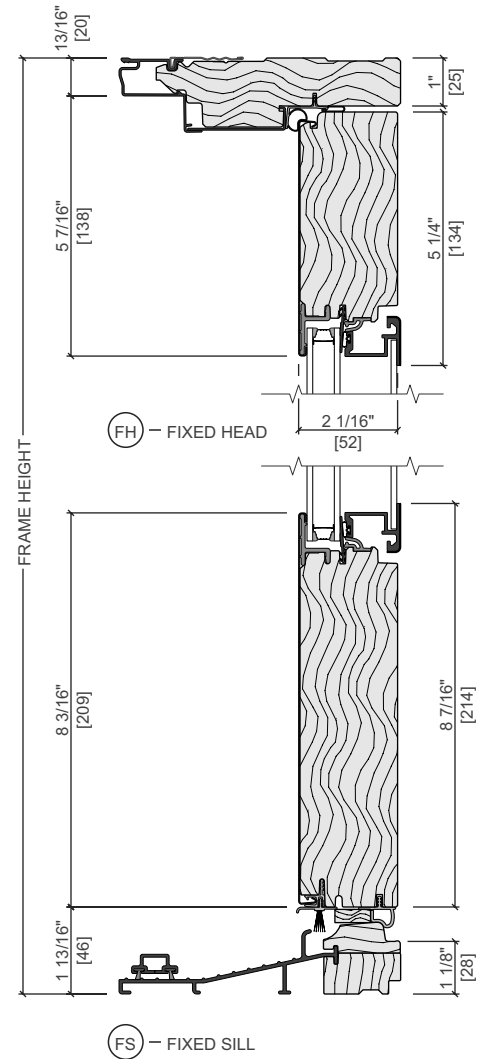
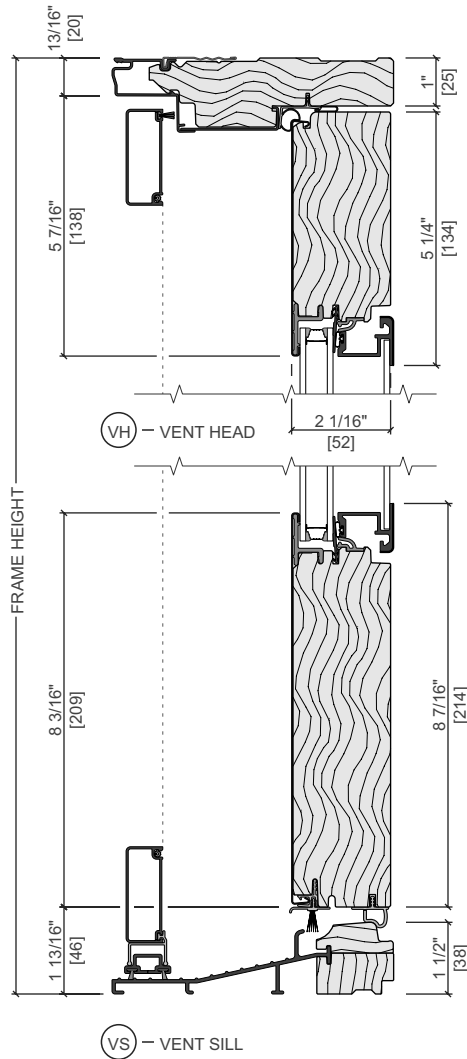


Lifestyle Series In-Swing Patio Door

Unit Sections - Triple-Pane



Handle Height Dimension shown is from bottom of unit frame to door handle. Installation method used and finished flooring conditions will cause handle height to vary. Doors not using the standard Pella multipoint lock and hardware (specified as 'No lock/No Bore') are not Hallmark certified.

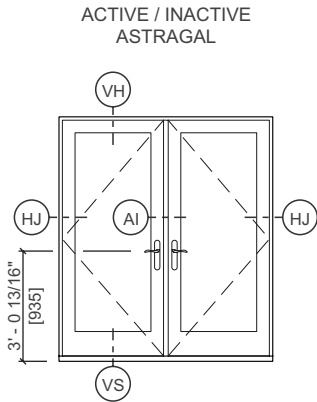


Scale 3" = 1' 0"
All dimensions are approximate.

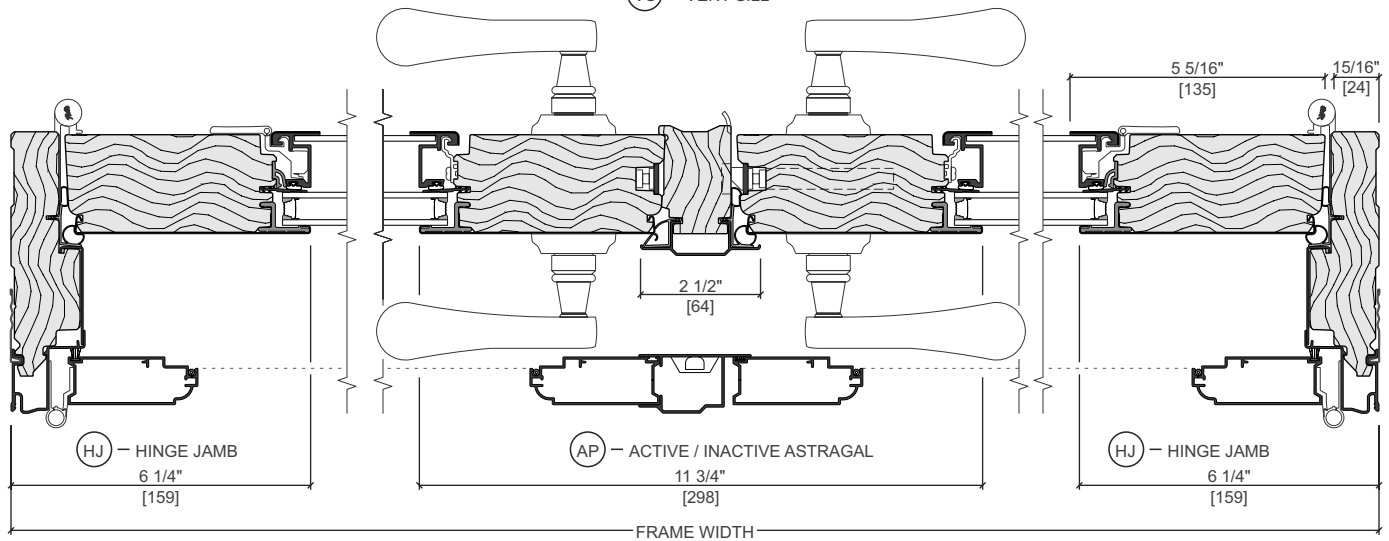
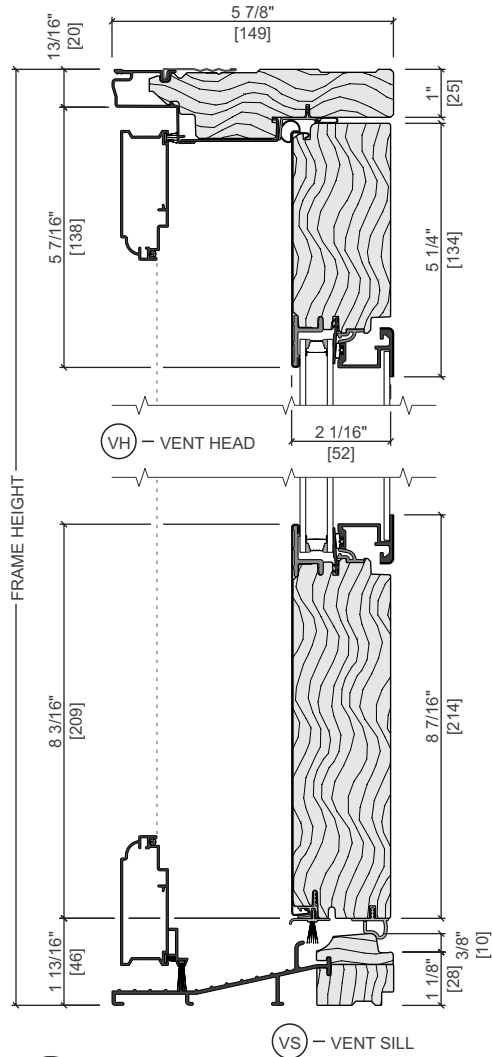


Lifestyle Series In-Swing Patio Door

Unit Sections - Triple-Pane



Handle Height Dimension shown is from bottom of unit frame to door handle. Installation method used and finished flooring conditions will cause handle height to vary. Doors not using the standard Pella multipoint lock and hardware (specified as 'No lock/No Bore') are not Hallmark certified.

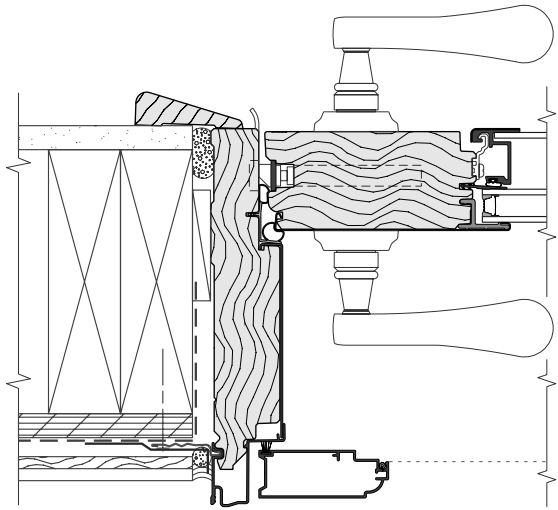


Scale 3" = 1' 0"
All dimensions are approximate.

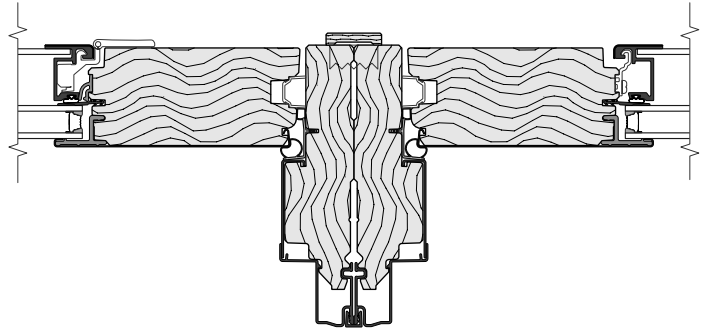


Lifestyle Series In-Swing Patio Door

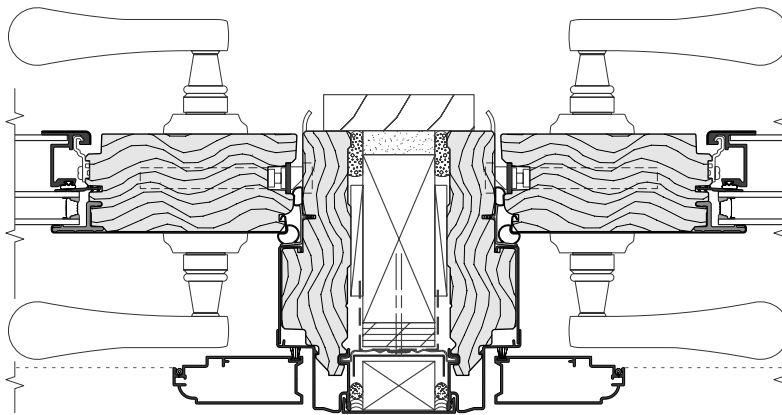
Unit Sections - Triple-Pane



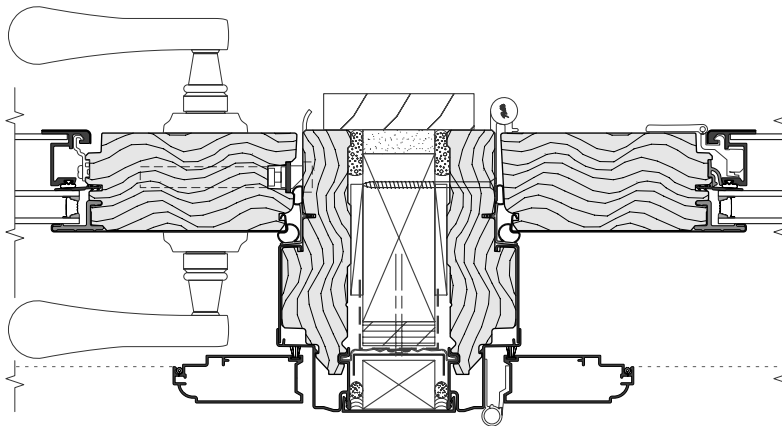
LOCK JAMB
W/ 6-9/16" JAMB



VERTICAL JOINING MULLION
FIXED PANELS



VERTICAL STRUCTURAL MULLION
OPERABLE PANELS



VERTICAL STRUCTURAL MULLION
OPERABLE PANELS

Use standard joining mullions when joining fixed door panels.
Sidelights or fixed panels may be joined directly to operable door panels. Composite must be installed with head drip fin and installation fins per standard installation instructions.
Structural mullion must be used for all other combinations.

Scale 3" = 1' 0"

All dimensions are approximate.

See www.Pella.com for mullion limitations and reinforcing requirements.