

MITSUBISHI FUSO  
***FP/FV***



NOTE: These specifications are subject to change without notice.  
Some of the equipment shown in the product photos are optional.  
Please contact your local MITSUBISHI FUSO dealer for detailed specifications and equipment available in your market.





# Lifetime Value, Longer Life

Lifetime value. Lower cost of operation is one important element. Another is longer vehicle life, so the profits keep rolling in. So, besides being fuel-efficient, our trucks and buses require less frequent maintenance. Comfortable and easier to drive and maintain, they reduce driver fatigue, making them safer as well. Built rugged and durable, they are backed by service and support second to none.

## ***Economy***

Performance, utility, longevity: Mitsubishi engines have it all. Smooth-shifting transmissions enhance fuel economy.

## ***Design and Drivability***

Aerodynamic contours increase fuel efficiency. Drivability and comfort keep drivers fresh and alert.

## ***Service and Support***

Easier, less frequent maintenance plus outstanding service mean more time on the road.



# Durable asset with excellent return



### Lifetime value for the long haul

The exceptional durability of the FP/FV engines and transmissions has been tested and proven in heavy-duty truck applications around the world. Easy maintenance adds to these trucks long-term profitability whatever the application.



#### FP 6D24-0A Engine

Piston displacement: 11.945L  
 Max. output: 177kW(240PS)/2,200rpm  
 Max. torque: 834N-m(85kgf-m)/1,400rpm



#### FV 6D24-0AT1 Engine

Piston displacement: 11.945L  
 Max. output: 235kW(320PS)/2,200rpm  
 Max. torque: 1,225N-m(125kgf-m)/1,400rpm



#### FV-R 6D24-0AT2 Engine

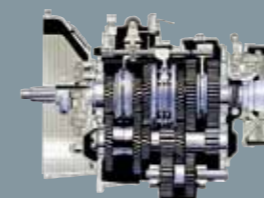
Piston displacement: 11.945L  
 Max. output: 257kW(350PS)/2,200rpm  
 Max. torque: 1,420N-m(145kgf-m)/1,400rpm

### Efficient and reliable

These highly efficient direct-injection diesel engines combine an optimal balance of high power output and torque with low fuel consumption. Innovative Mitsubishi FUSO technology enhances durability to ensure the reliability heavy-duty applications require.

#### FP M10S5

5-speed Transmission



#### FV M120S6

6-speed Transmission



#### FV-R M120S2x5

10-speed Transmission



### Durability built in

Aluminum makes these smooth-shifting transmissions lighter, to improve fuel economy. It also disperses heat more efficiently, making them more durable. The improvements they bring to the bottom line have made them renowned around the world.



## INTERIOR

# Drivability, comfort the inside story



### Wider perspective

Big windshield and mirrors designed for visibility. Comfortable seat, adjustable steering wheel, and ergonomic instrument panel reduce driver fatigue, improving safety.



Power windows  
(Option)



Adjustable seats

### Space to sit back and focus on the road

The spacious cabin is designed to reduce driver fatigue, keeping the driver alert, fresh and focused, a safer, happier driver.



One glance says it all



Steering wheel tilts and telescopes



Option

### Handy storage compartments

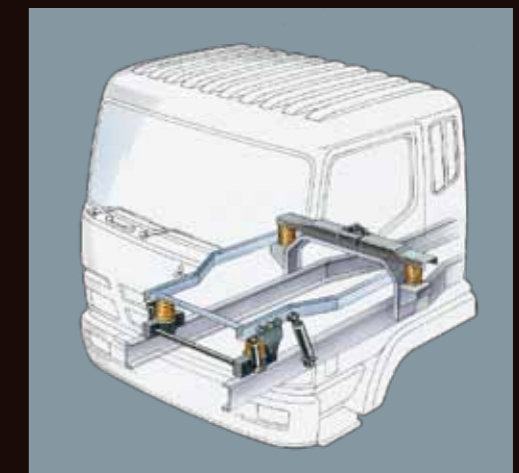
Overhead and center console compartments are not only convenient. They improve safety by reducing distraction.



- 1 Wide step
- 2 Door grip
- 3 Front pillar grip
- 4 Rear pillar grip

### Easy in, easy out

Steps, grips and wider opening doors simplify getting in and out.



### Enjoy a smoother ride

The cab is mounted on coil springs that soak up bumps and vibration.



MAINTENANCE

# Routine made simple, quality enduring



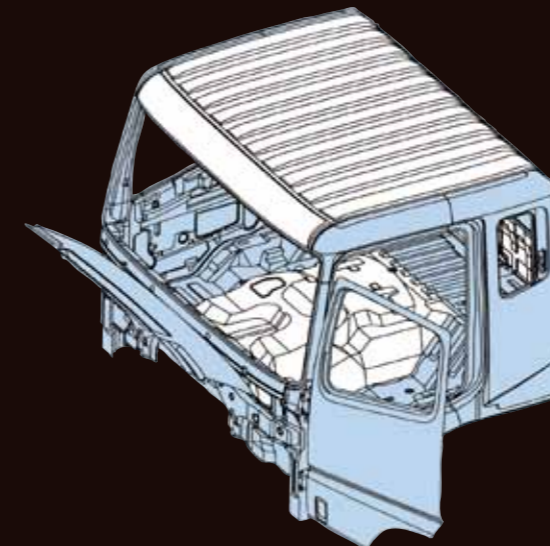
- 1 Windshield washer fluid
- 2 Air filter
- 3 Hood support
- 4 Electronic oil gauge (Option)
- 5 Engine coolant
- 6 Clutch fluid

### Open for quicker turnaround

The hood pops up to provide easy access to all of the critical items on the routine maintenance check list. Quicker turnaround means more time on the road generating income.

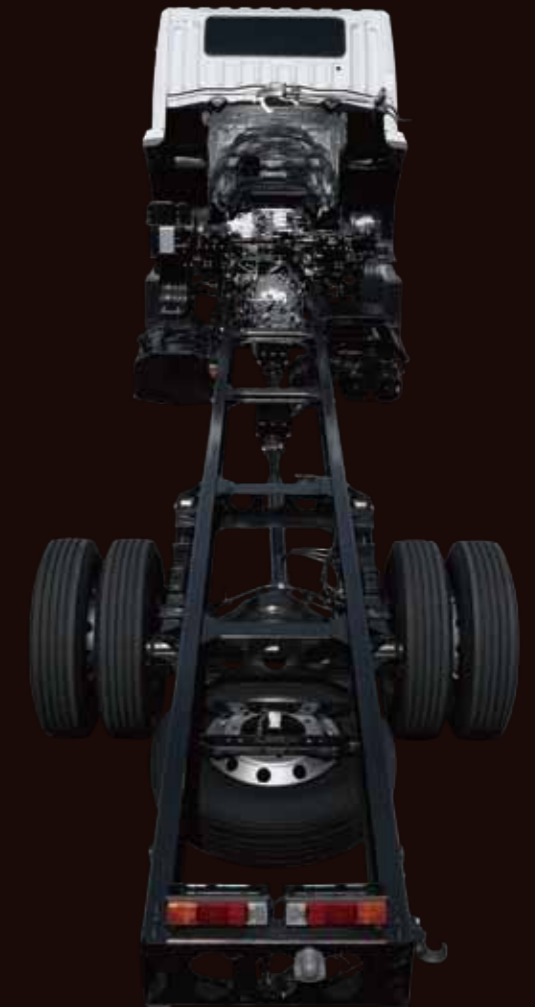
### Easier maintenance and customization

The cab tilts up to provide easy access to engine and power train. And the chassis is not only extra-rugged to increase durability. It's smooth and flat, no protrusions, designed to facilitate customization.



### Built for durable quality

Cabin components indicated in blue are galvanized to prevent rusting.



\*On vehicle specially equipped for photograph



### Even in places you might not notice

The resin tire housing also prevents rust and corrosion.



### Even the electronics

The cables, wire harnesses, and other components are all carefully selected for high durability.



### Optional tachograph

The tachograph provides a continuous record of truck operation, to support more effective management.



# A safer truck is a better truck



### Crash-proof Cabin

This rigid all-steel cabin frame protects driver and crew in case of accidents, keeping them out of harm's way to drive again another day.



### Safety bars in doors (Option)

To provide additional protection in case of side-on collisions, the cab doors are reinforced with safety bars.



### Wider vision wipers

The windshield wipers are extra-long to provide a wider field of vision when driving in bad weather.



### Collapsible steering wheel

The collapsible steering wheel column reduces the likelihood of severe driver injuries in front-on collisions.



### See-more mirrors

The side mirrors are designed and mounted to enable the driver to see more of traffic behind as well as beside the truck.

## FP (4x2)

From flatbed to van and special purpose models, the FP is the ideal cargo truck for a wide range of transport needs.



MODEL	WHEELBASE	G.V.W.	ENGINE	T/M	Body Application
FP517J	4,650mm	15,100 kg	6D24-0A 240PS 85kgf-m	M10S5 5-speed	Cargo and Others
FP517L	5,100mm				

## FV (6x4)

Available in dump, mixer and cargo models, the FV has the muscle required for heavy-duty transport.



MODEL	WHEELBASE	G.V.W.	ENGINE	T/M	Body Application
FV517JD1	4,520mm	27,600 kg	6D24-0AT1 320PS 125kgf-m	M120S6 6-speed	Dump
FV517JM1					Mixer
FV517M1	5,520mm	27,600 kg	6D24-0AT1 320PS 125kgf-m	M120S6 6-speed	Cargo and Others
FV517P1	6,030mm				
FV517S1	6,530mm				

## FV-R (6x4)

For super-heavy cargo and dependable towing characteristics, the FV-R tractor with rugged tandem rear axles is the choice we recommend.



MODEL	WHEELBASE	G.V.W./G.C.W.	ENGINE	T/M	Body Application
FV517HR2	4,370mm	27,600 kg/50,000 kg	6D24-0AT2 350PS 145kgf-m	M120S2X5 10-speed	Truck Tractor

# Great quality, great support



**Here when you need us**

Mitsubishi FUSO dealers are staffed with highly qualified technicians.



**Ready to meet any test**

Mitsubishi FUSO vehicle designs are rigorously tested, on the road as well as on our state-of-the-art test track.



**Quality gates**

No Mitsubishi FUSO truck is delivered to customers without first passing through 11 quality validation gates that are integral parts of the FUSO Product Development System.

**MITSUBISHI FUSO  
GENUINE PARTS**

**Accept no substitutes**

Only genuine Mitsubishi FUSO parts are designed and built to the strict quality standards required for best performance.



**MITSUBISHI FUSO  
GENUINE SERVICE**

**Quick and reliable service**

No one in the world understands our vehicles better than our carefully trained technicians. No one can detect and solve problems more quickly and reliably.



**WE PROMISE**

**To keep your trucks delivering value**

Every Mitsubishi FUSO vehicle comes with a list of eight promises to provide the world-class service you need. Promises made, promises kept.







# All for you

Every Mitsubishi FUSO truck and bus embodies one simple proposition — All for you. So every step of the way from design to manufacturing to maintenance and support, we are constantly thinking about you, our customer, and your needs. Lower cost of operation? Of course. But lower cost alone doesn't make a solid investment. So we build every vehicle to be comfortable and easy to drive. Rugged and reliable, too, to deliver the long-term performance that increases lifetime value. We not only make them easy to maintain, we built them to need less frequent maintenance, and invest in training expert technicians to provide support when you need it. We are always thinking, what could be better for our customer? We do it all for you.