



LIFTING CHAIN AND COMPONENTS



Beaver's range of lifting chain and components has been engineered with safety and quality in mind.

Beaver have developed and sourced the best lifting chain and components to ensure every facet of the lift is performed with effectiveness.

Our renowned industry leading European brands include Pewag and Weissenfels as well as Beaver's own range of Grade 80 lifting chain and components.

Our products are made with the highest calibre of materials to ensure unparalleled quality. Our products are designed and tested to meet the requirements of the Australian Standards.



Contents

LIFTING CHAIN AND COMPONENTS

BEAVER GRADE 80 LIFTING CHAIN AND COMPONENTS	7
BEAVER GRADE 80 – SINGLE AND DOUBLE LEG CHAIN SLINGS	8
BEAVER GRADE 80(T) CHAIN	10
BEAVER GRADE 80 MASTER LINK	10
BEAVER GRADE 80 COMPONENT CONNECTORS	12
BEAVER GRADE 100 LIFTING CHAIN AND COMPONENTS	22
BEAVER GRADE 100 – SINGLE AND DOUBLE LEG CHAIN SLINGS	24
MASTER LINKS AND SETS FOR G100 ASSEMBLY SYSTEMS	26
B-ALLOY-V WELD-ON LIFTING AND LASHING RINGS	40
B-ALLOY-V BOLT-ON LIFTING AND LASHING LUG	41
BEAVER GRADE 120 CHAIN AND COMPONENTS	43
BEAVER GRADE 120 – SINGLE AND DOUBLE LEG CHAIN SLINGS	44
BEAVER-PEWAG INOX GRADE 50 STAINLESS STEEL LIFTING CHAIN AND COMPONENTS	49
BEAVER GRADE 50 STAINLESS STEEL – SINGLE AND DOUBLE LEG CHAIN SLINGS	50
BEAVER GRADE 50 CHAIN AND COMPONENTS	51
PRODUCT REFERENCE GUIDE	54

B-Alloy Grade T(80) Chain Slings TO AS3775.2-2004

CHAIN DIA. mm	SINGLE LEG SLINGS			SLINGS OF 2, 3 OR 4 LEGS						ENDLESS SLINGS			
	STRAIGHT SLING	ADJUST-ABLE SLING without deration*	REEVED SLING	STRAIGHT SLING			REEVED SLING			BASKET SLING			REEVED SLING
				60°	90°	120°	60°	90°	120°	60°	90°	120°	
Loading Factors	1	1*	0.75	1.73	1.41	1	1.3	1.06	0.75	1.3	1.06	0.75	1.5
MAXIMUM WORKING LOAD LIMITS IN TONNES OF 1000kg													
6	1.1	1.1	0.8	1.9	1.6	1.1	1.5	1.2	0.8	1.5	1.2	0.8	1.7
7	1.5	1.5	1.1	2.6	2.1	1.5	2.0	1.6	1.1	2.0	1.6	1.1	2.3
8	2.0	2.0	1.5	3.5	2.8	2.0	2.6	2.1	1.5	2.6	2.1	1.5	3.0
10	3.2	3.2	2.4	5.5	4.5	3.2	4.1	3.4	2.4	4.1	3.4	2.4	4.8
13	5.3	5.3	4.0	9.2	7.5	5.3	6.9	5.6	4.0	6.9	5.6	4.0	8.0
16	8.0	8.0	6.0	13.8	11.3	8.0	10.4	8.5	6.0	10.4	8.5	6.0	12.0
20	12.5	12.5	9.4	21.6	17.6	12.5	16.3	13.3	9.4	16.3	13.3	9.4	18.8
22	15.0	15.0	11.3	26.0	21.2	15.0	19.5	15.9	11.3	19.5	15.9	11.3	22.5
26	21.2	21.2	15.9	36.7	29.9	21.2	27.6	22.5	15.9	27.6	22.5	15.9	31.8
32	31.5	31.5	23.6	54.5	44.4	31.5	41.0	33.4	23.6	41.0	33.4	23.6	47.3

BEAVER ALLOY GRADE T(80) CHAIN SLINGS Care and Usage Instructions

BEAVER ALLOY GRADE T(80) CHAIN SLINGS SHOULD ONLY BE USED BY A COMPETENT PERSON

Maximum Working Load Limit in Tonnes of 1000kg, under general conditions of use.

- DO NOT EXCEED WORKING LOAD LIMIT
- DO NOT EXCEED 120°
- W.L.L. at 60° must never be exceeded, even at smaller angles.
- W.L.L. at other angles - apply the next greater angle and relevant load factor.

Extreme care should be taken when using the Beaver Grade T(80) Chain Slings in high temperature environments. It is therefore our instruction that the user must always err on the side of caution and make ample provisions for reduced Working Load Limits.

The following are our instructions:

ACIDIC CONDITIONS

Beaver Alloy Grade T(80) slings shall not be used in acidic solutions or in any other corrosive environment.

TEMPERATURE CONDITIONS

-10°C up to 200°C No reduction in W.L.L.
200°C up to 300°C Reduce W.L.L. by 10%
300°C up to 400°C Reduce W.L.L. by 25%
Do not use above 400°C

GALVANISING

Beaver alloy chains and fittings should not be hot-dip galvanised or electro-plated, except by Beaver. Galvanised slings must always have the Working Load Limits reduced by 20%.

The W.L.L. of a sling must not exceed the lowest working load limit of the components in the system.

*Some shortening devices, such as grab hooks without wings derate the WLL for the sling by 25%. Advice regarding deration should be sought from Beaver.

pewag® Grade 100 & Grade 120 Chain Slings

GRADE 100

GRADE 120

CHAIN DIA. mm	SINGLE LEG SLINGS			SLINGS OF 2, 3 OR 4 LEGS						ENDLESS SLINGS			
	STRAIGHT SLING	ADJUST-ABLE SLING*	REEVED SLING	STRAIGHT SLING			REEVED SLING			BASKET SLING			REEVED SLING
				60°	90°	120°	60°	90°	120°	60°	90°	120°	
Load Factor	1	1	0.75	1.73	1.41	1	1.3	1.06	0.75	1.3	1.06	0.75	1.5
MAXIMUM WORKING LOAD LIMITS IN TONNES OF 1000kg													
WIN 6	1.40	1.40	1.00	2.40	2.00	1.40	1.80	1.48	1.00	1.80	1.48	1.00	2.10
WIN 8	2.50	2.50	1.90	4.30	3.55	2.50	3.25	2.65	1.90	3.25	2.65	1.90	3.75
WINPRO 8	3.00	3.00	2.35	5.20	4.20	3.00	3.90	3.20	2.20	3.90	3.20	2.20	4.50
WIN 10	4.00	4.00	3.00	6.90	5.60	4.00	5.20	4.20	3.00	5.20	4.20	3.00	6.00
WINPRO 10	5.00	5.00	4.00	8.60	7.00	5.00	6.50	5.30	3.70	6.50	5.30	3.70	7.50
WIN 13	6.70	6.70	5.00	11.60	9.50	6.70	8.70	7.10	5.00	8.70	7.10	5.00	10.00
WINPRO 13	8.00	8.00	6.30	13.80	11.30	8.00	10.40	8.50	6.00	10.40	8.50	6.00	12.00
WIN 16	10.00	10.00	7.50	17.30	14.10	10.00	13.00	10.60	7.50	13.00	10.60	7.50	15.00
WIN 20	16.00	16.00	12.00	27.70	22.56	16.00	20.80	17.00	12.00	20.80	17.00	12.00	24.00
WIN 22	19.00	19.00	14.20	32.90	26.50	19.00	24.70	20.10	14.20	24.70	20.10	14.20	28.50
WIN 26	26.50	26.50	19.80	45.80	37.30	26.50	34.40	28.00	19.80	34.40	28.00	19.80	39.70
WIN 32	40.00	40.00	30.00	69.20	56.40	40.00	52.00	42.40	30.00	52.00	42.40	30.00	60.00

The load capacity listed are maximum values of various sling types, stated according to the standard (uniform load) method of rating similar to AS 3775

GRADE 100 & 120 CHAIN SLINGS SHOULD ONLY BE USED BY A COMPETENT PERSON.

Maximum Working Load Limit in Tonnes of 1000kg, under general conditions of use.

- DO NOT EXCEED WORKING LOAD LIMIT
- DO NOT EXCEED 120°
- W.L.L. at other angles - apply the next greater angle and relevant load factor.

SAFETY WARNING OF HAZARDOUS CONDITIONS:

Extreme care should be taken when using the Beaver Grade 100 & 120 Chain and fittings in high temperature environments. It is therefore our instruction that the user must always err on the side of caution and NEVER EXCEED 200°C

* If the grab hook comes with suitable wing, no reduction factor is required, otherwise W.L.L. should be reduced by 25%

LIFTING CHAIN AND COMPONENTS

SECTION 2

pewag[®] Grade 50 Stainless Steel Chain Slings TO AS4797

CHAIN DIA. mm	SINGLE LEG SLINGS		SLINGS OF 2, 3 OR 4 LEGS						ENDLESS SLINGS			
	STRAIGHT SLING	REEVED SLING	STRAIGHT SLING			REEVED SLING			BASKET SLING			REEVED SLING
			60°	90°	120°	60°	90°	120°	60°	90°	120°	
MAXIMUM WORKING LOAD LIMITS IN TONNES OF 1000kg												
5	0.50	0.40	0.85	0.70	0.5	0.68	0.56	0.40	0.68	0.56	0.40	0.80
7	1.00	0.80	1.70	1.40	1.0	1.36	1.12	0.80	1.36	1.12	0.80	1.60
10	2.00	1.60	3.40	2.80	2.0	2.72	2.24	1.60	2.72	2.24	1.60	3.20
13	3.20	2.56	5.44	4.48	3.2	4.35	3.58	2.56	4.35	3.58	2.56	5.12
16	5.00*	4.00	8.50*	7.00*	5.0*	6.80	5.60	4.00	6.80	5.60	4.00	8.00

*10% Reduction with HSK16

Grade 50 chain slings should only be used by a competent person.
Maximum Working Load Limit in tonnes of 1000kg, under general conditions of use.

- Do not exceed Working Load Limit
- Do not exceed 120°
- WLL at other angles – apply the next greater angle and relevant load factor
- Never exceed 200°C





G80(T) LIFTING CHAIN AND COMPONENTS

BEAVER GRADE 80 LIFTING CHAIN AND COMPONENTS

Beaver Grade 80 (T) Lifting Chain

Beaver Grade 80 (T) Chain is manufactured from heat treated alloy steel and is ideal for heavy duty lifting applications. It meets Australian standards AS 2321, Short-Link Chain for Lifting Purposes and is high strength, rugged, versatile and low-weight.

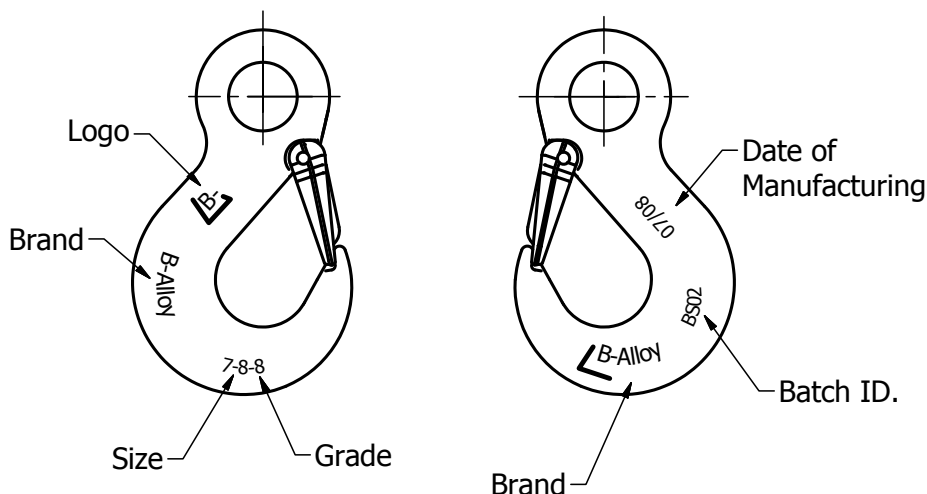
- Quality testing is done throughout the manufacturing process
- Beaver Grade 80 Chain also carries the marks “BN-8” and stamped at intervals along its entire length for easy identification

Beaver Grade 80 Components

Beaver Grade 80 Lifting Components are manufactured from heat treated alloy steel and are ideal for heavy duty lifting applications. It meets Australian standards AS 3776, Lifting Components for Grade T Chain Slings.

- Quality testing is undertaken throughout the manufacturing process
- Beaver Grade 80 Components also carry distinguishing marks – see below image 1.1

1.1 Grade 80 Component markings



BEAVER GRADE 80 – SINGLE AND DOUBLE LEG CHAIN SLINGS

Beaver Grade 80 Single Leg Sling with Clevis Sling Hook

c/w Safety Latch & Shortening Grab Hook– AS 3775.1

Code	Chain Size mm	Effective Length mtr	W.L.L No Deration (kg)
CSA07117525	7	1	1500
CSA07127525	7	2	1500
CSA07137525	7	3	1500
CSA08117525	8	1	2000
CSA08127525	8	2	2000
CSA08137525	8	3	2000
CSA10117525	10	1	3200
CSA10127525	10	2	3200
CSA10137525	10	3	3200



Beaver Grade 80 Double Leg Sling with Clevis Sling Hook

c/w Safety Latch & 2 Shortening Grab Hook– AS 3775.1

Code	Chain Size mm	Effective Length mtr	W.L.L @ 60° No Deration (kg)
CSA07217525	7	1	2600
CSA07227525	7	2	2600
CSA07237525	7	3	2600
CSA08217525	8	1	3500
CSA08227525	8	2	3500
CSA08237525	8	3	3500
CSA08247525	8	4	3500
CSA08267525	8	6	3500
CSA10217525	10	1	5500
CSA10227525	10	2	5500
CSA10237525	10	3	5500
CSA10247525	10	4	5500
CSA10267525	10	6	5500
CSA13217525	13	1	9200
CSA13227525	13	2	9200
CSA13237525	13	3	9200
CSA13247525	13	4	9200



Beaver Grade 80 Single Leg Sling with Clevis Self Locking Hook

c/w Shortening Grab Hook– AS 3775.1

Code	Chain Size mm	Effective Length mtr	W.L.L No Deration (kg)
CSA07117545	7	1	1500
CSA07127545	7	2	1500
CSA07137545	7	3	1500
CSA08117545	8	1	2000
CSA08127545	8	2	2000
CSA08137545	8	3	2000
CSA10117545	10	1	3200
CSA10127545	10	2	3200
CSA10137545	10	3	3200



Beaver Grade 80 Double Leg Sling with Clevis Self Locking Hook

c/w 2 Shortening Grab Hook– AS 3775.1

Code	Chain Size mm	Effective Length mtr	W.L.L @ 60° No Deration (kg)
CSA07217545	7	1	2600
CSA07227545	7	2	2600
CSA07237545	7	3	2600
CSA08217545	8	1	3500
CSA08227545	8	2	3500
CSA08237545	8	3	3500
CSA08247545	8	4	3500
CSA08267545	8	6	3500
CSA10217545	10	1	5500
CSA10227545	10	2	5500
CSA10237545	10	3	5500
CSA10247545	10	4	5500
CSA10267545	10	6	5500
CSA13217545	13	1	9200
CSA13227545	13	2	9200
CSA13237545	13	3	9200
CSA13247545	13	4	9200

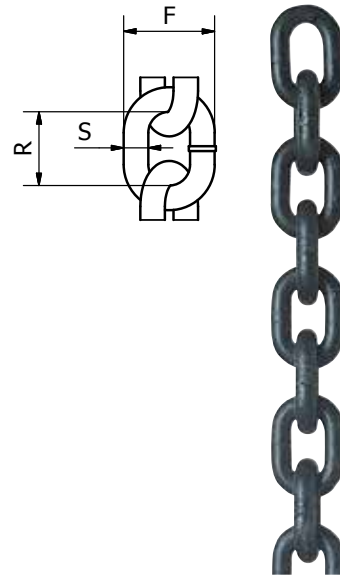


BEAVER GRADE 80 (T) CHAIN

Grade T(80) Alloy Chain to AS 2321

Safety Factor 4:1

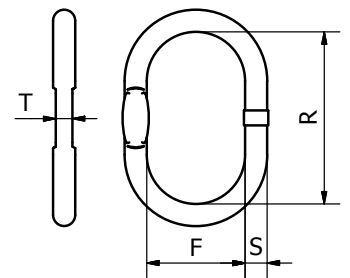
Code	Size mm	S mm	R mm	F mm	W.L.L tonnes	UOM	Metres Per 100kg
148006	6	6	18	22.2	1.2	Metre	115
148007	7	7	21	25.9	1.6	Metre	90
148008	8	8	24	29.6	2	Metre	71
148010	10	10	30	37	3.2	Metre	45
148013	13	13	39	48.1	5.4	Metre	26
148016	16	16	48	59.2	8.2	Metre	17
148020	20	20	60	74	12.8	Metre	11
148022	22	22	66	81.4	16	Metre	9
148026	26	26	78	96.2	20.6	Metre	6
148032	32	32	96	118	32.8	Metre	4



BEAVER GRADE 80 MASTER LINK

Beaver Grade 80 Recessed Enlarged Master Oblong Link

Code	Chain Size mm		W.L.L (kg)	S mm	R mm	F mm	T mm	Approx Weight (kg)	UOM	Pack Qty
	1 Leg	2 Leg								
883508A	8	7	2700	15.5	120	70	7	0.44	Each	60
883510A	10	8	3500	18	140	80	7	0.67	Each	25
883513A	13	10	5500	22.5	160	95	11	1.52	Each	16
883516A	16	13	9400	29	190	110	13	2.65	Each	8
883520A	20	16	14200	35	230	130	16	4.48	Each	6
883522A	22	20	22300	42	275	150	22	7.49	Each	3
883526A	26	22	33500	50	340	180	28	12.83	Each	2
883532A	32	26	40800	55	350	190	30	16.56	Each	1
883536A	36	32	56800	62	400	200	36	31.02	Each	1



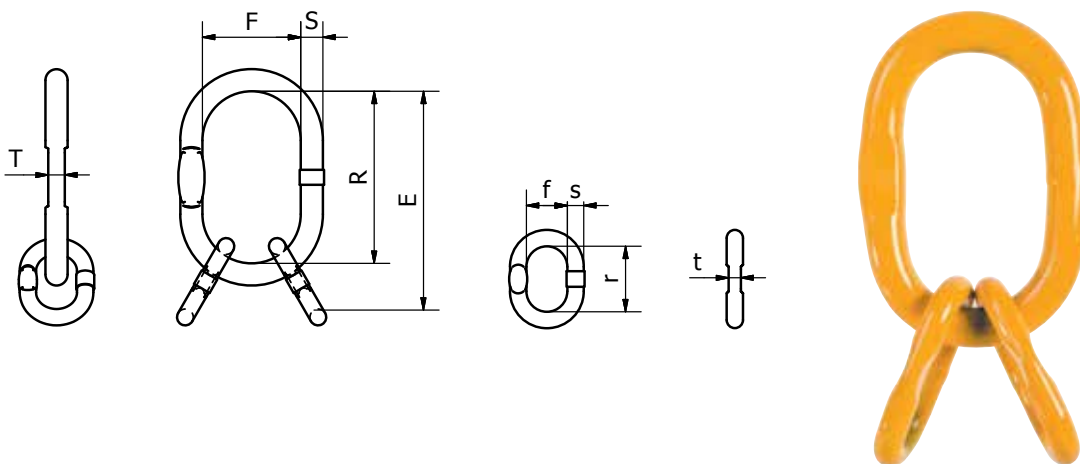
Designed for Single & 2 Leg Applications

BEAVER GRADE 80 MASTER LINK (CONT'D)

Beaver Grade 80 Recessed Enlarged Multi-Leg Master Oblong Link

Code	Chain Size mm	W.L.L (Ø60°) (kg)	S mm	R mm	F mm	T mm	E mm	s mm	r mm	f mm	t mm	Approx Weight (kg)	UOM	Pack Qty
883707	7	3150	19	135	75	-	195	13	60	38	8	1.35	Each	1
883708	8	4250	23	160	90	-	230	16	70	34	8	2.32	Each	1
883710	10	6700	27	180	100	-	265	18	85	40	11.5	3.58	Each	1
883713	13	11200	33	200	110	-	315	23	115	50	14	6.57	Each	1
883716	16	17000	36	260	140	-	400	27	140	65	18	10.3	Each	1
883720	19-20	26500	45	340	180	-	490	33	150	70	-	19.3	Each	1
883722	22	31500	50	350	190	-	520	36	170	75	-	25.1	Each	1
883726	26	45000	56	400	200	-	570	40	170	80	-	34.3	Each	1
883732	32	56800	70	460	250	-	660	50	200	100	-	64	Each	1

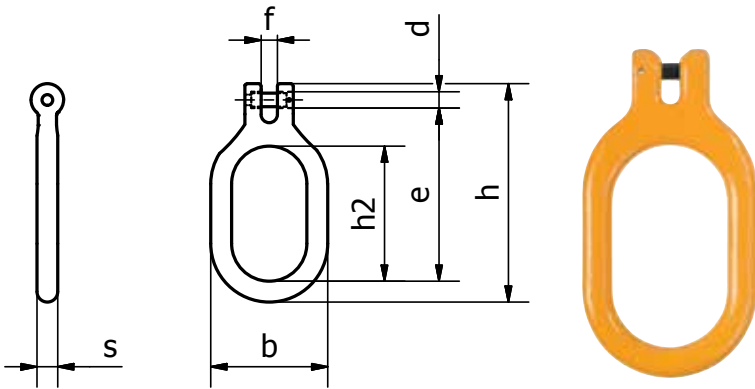
Designed for 2, 3, 4 Leg Applications



BEAVER GRADE 80 MASTER LINK (CONT'D)

Beaver Grade 80 Clevis Single Master Link

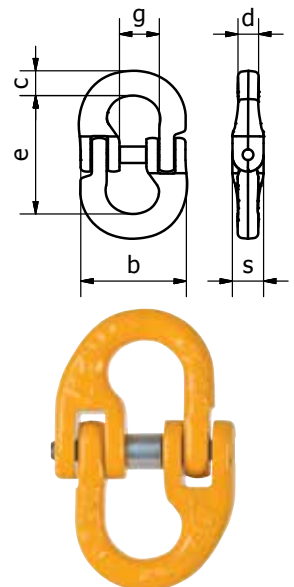
Code	Chain Size mm	W.L.L (kg)	e mm	b mm	h mm	h2 mm	d mm	f mm	s mm	Approx Weight (kg)	UOM	Pack Qty
882007	7-8	2000	138	92	163.7	105	9.7	9	16	0.7	Each	1
882010	10	3200	167	111	197	128	12	12	18	1.2	Each	1
882013	13	5300	203	134	241	150	16	15	22	2.3	Each	1
882016	16	8000	230	152	276	165	20	18	26	3.8	Each	1



BEAVER GRADE 80 COMPONENT CONNECTORS

Beaver Grade 80 Component Connector

Code	Chain Size mm	W.L.L (kg)	b mm	c mm	e mm	g mm	d mm	s mm	Approx Weight (kg)	UOM	Pack Qty	Replacement Pin and Stud Kit
C6	6	1100	40	7	45	18	7.7	10.5	0.07	Each	20	894206BA
C7	7	1500	47	8.3	52	19	9	12.3	0.1	Each	30	894207BA
C8	8	2000	55	9.5	65	23	10.5	13.5	0.25	Each	20	894208BA
C10	10	3200	63	12	73	27	12.9	17.2	0.35	Each	30	894210BA
C13	13	5300	82	16	88	34	16.8	22.7	0.68	Each	20	894213BA
C16	16	8000	105	19	103	39	20.6	28	1.1	Each	12	894216BA
C20	20	12500	122	23.5	116	47	25.8	34.8	2.2	Each	8	894220BA
C22	22	15000	135	26.5	133	55	28.3	35.5	2.72	Each	6	894222BA
C26	26	21200	163	31.5	148	60	33.4	42	5.05	Each	4	894226BA
C32	32	31500	206	38	183	79	40.8	51	10.02	Each	2	894232BA

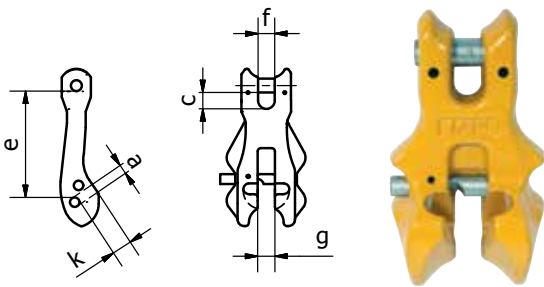


BEAVER GRADE 80 COMPONENT CONNECTORS

Beaver Grade 80 Clevis Clutch – Locking Type

Code	Chain Size mm	W.L.L (kg)	c mm	f mm	g mm	e mm	a mm	k mm	Approx Weight (kg)	UOM	Pack Qty
884510SY	10	3150	12	12	12	66	12	28	0.9	Each	1
884513SY	13	5300	16	15	15	88	16	39	2.1	Each	1
884516SY	16	8000	19	21	18	103	19	48	3.7	Each	1

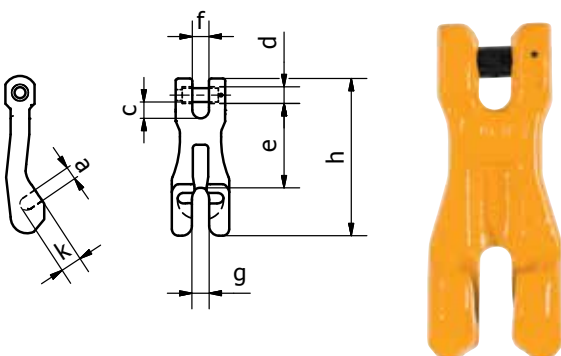
No Deration



Grade 80 Clevis Shortening Clutch

Code	Chain Size mm	W.L.L (kg)	c mm	f mm	d mm	g mm	e mm	h mm	a mm	k mm	Approx Weight (kg)	UOM	Pack Qty
884507	7-8	2000	10	9	9	8	50	99	9	12	0.4	Each	1
884510	10	3200	14	12	13	12	74	135	12	25	0.9	Each	1
884513	13	5400	17	17	16	16	82	175	16	30	2.1	Each	1

No Deration

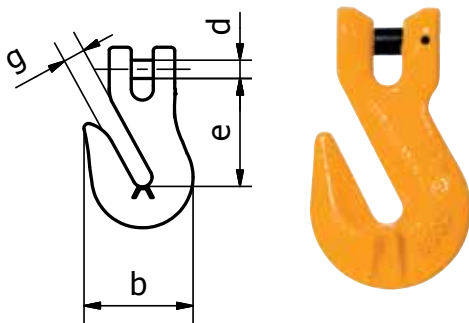


BEAVER GRADE 80 COMPONENT CONNECTORS (CONT'D)

Beaver Grade 80 Clevis Shortening Grab Hook

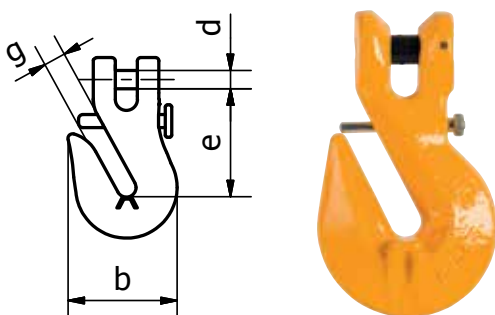
Code	Chain Size mm	W.L.L (kg)	e mm	b mm	d mm	g mm	Approx Weight (kg)	UOM	Pack Qty
886206	6	1100	45	45.7	7.6	8.3	0.25	Each	80
886207	7-8	2000	53.3	50	9	10.5	0.28	Each	55
886210	10	3200	75.5	72	12.5	10.5	0.73	Each	25
886213	13	5300	92	96	16	16.5	1.6	Each	12
886216	16	8000	99	112.5	19.7	19	2.8	Each	8
886220	20	12500	122.7	143	24	24	4	Each	4
886222	22	15000	126	143.5	26	27	72	Each	3

No Deration



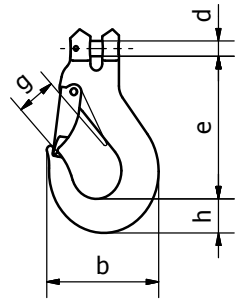
Beaver Grade 80 Clevis Shortening Grab Hook c/w Safety Pin

Code	Chain Size mm	W.L.L (kg)	e mm	b mm	d mm	g mm	Approx Weight (kg)	UOM	Pack Qty
886213S	13	5300	90	120	16	15	1.75	Each	1
886216S	16	8000	105	130	20	19	2.8	Each	1



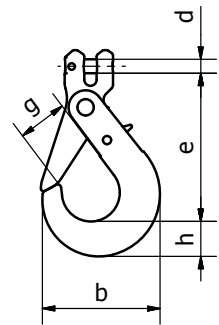
Beaver Grade 80 Clevis Sling Hook with Safety Latch

Code	Chain Size mm	W.L.L (kg)	e mm	d mm	h mm	b mm	g mm	Approx Weight (kg)	UOM	Pack Qty	Replacement Latch Kit
885106	6	1100	76.4	7.8	20	77.4	27	0.23	Each	50	895106BA
885107	7-8	2000	86	9.3	25	85	26	0.48	Each	30	895107BA
885110	10	3200	104	13	31	103	33.5	0.95	Each	18	895110BA
885113	13	5300	127.8	16.4	42.5	127.5	40	1.85	Each	10	895113BA
885116	16	8000	148	21.3	54	161	51	3.94	Each	5	895116BA
885120	20	12500	179	24.3	58	188	59	6.36	Each	2	895120BA
885122	22	15000	215	26.3	60.4	229	79	10.4	Each	2	895122BA



Beaver Grade 80 Clevis Self Locking Safety Hook

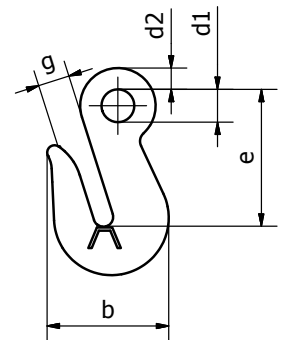
Code	Chain Size mm	W.L.L (kg)	e mm	d mm	h mm	b mm	g mm	Approx Weight (kg)	UOM	Pack Qty	Replacement Trigger Kit
886406Y	6	1100	98	8	22	75	28	0.57	Each	35	896506
886407Y	7-8	2000	120	10	25	86	33	0.91	Each	25	896508
886410Y	10	3200	150	12.5	34	111	45	1.675	Each	12	896510
886413Y	13	5300	185	16	40	136	52	3.33	Each	6	896513
886416Y	16	8000	215	20	53	173	64	6	Each	4	896516
886420Y	20	12500	235	24	64	200	77	8.6	Each	3	896520
886422Y	22	15000	255	28	74	229	92	14.7	Each	1	896522
886426Y	26	21200	316	34	85	256	97	23.5	Each	1	896526



BEAVER GRADE 80 COMPONENT CONNECTORS (CONT'D)

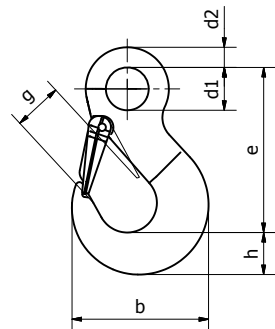
Beaver Grade 80 Eye Shortening Grab Hook

Code	Chain Size mm	W.L.L (kg)	e mm	b mm	d1 mm	d2 mm	g mm	Approx Weight (kg)	UOM	Pack Qty
885306	6	1100	51	45.8	13.5	8	8.3	0.14	Each	100
885307	7-8	2000	61.7	51	18	9.5	10.8	0.35	Each	80
885310	10	3200	80	70	20.5	13	13.5	0.65	Each	30
885313	13	5300	99.7	89.7	26	15.5	16.5	1.39	Each	15
885316	16	8000	105.5	113	30.5	19	20	2.1	Each	8
885320	20	12500	140.7	143	37.5	23	25	4	Each	5
885322	22	15000	165	160.5	44	26	28	6.36	Each	3
885326	26	21200	188.5	181.3	44	34	30	9.6	Each	2
885332	32	31500	230	223	57	40	38	19.4	Each	1



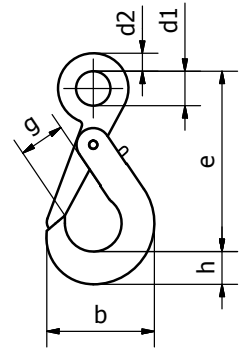
Beaver Grade 80 Eye Sling Hook with Safety Latch

Code	Chain Size mm	W.L.L (kg)	e mm	b mm	h mm	d1 mm	d2 mm	g mm	Approx Weight (kg)	UOM	Pack Qty	Replacement Latch Kit
885806	6	1100	75	71.3	19	20	10	23.5	0.244	Each	50	895806BA
885807	7-8	2000	111	82	23	23	11	30	0.4	Each	30	895807BA
885810	10	3200	120	109.5	31	38	15	34	0.9	Each	18	895810BA
885813	13	5300	152	146.5	44.5	43	19	39	2.35	Each	10	895813BA
885816	16	8000	184	154	44	50	23	46	3.2	Each	5	895816BA
885820	20	12500	219	198	58.5	62	24	48	5.8	Each	3	895820BA
885822	22	15000	271	259	75.5	62	32	71	8.5	Each	2	895822BA
885826	26	21200	279	262.8	80.5	64	35	81	13	Each	1	895826BA
885832	32	31500	373	355	88	88	37	102	17	Each	1	895832BA



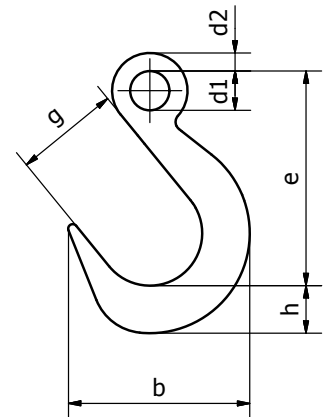
Beaver Grade 80 Eye Self Locking Safety Hook

Code	Chain Size mm	W.L.L (kg)	e mm	d1 mm	d2 mm	h mm	b mm	g mm	Approx Weight (kg)	UOM	Pack Qty	Replacement Trigger Kit
885706Y	6	1100	107	22	11	22	75	28	0.5	Each	35	896506
885707Y	7-8	2000	133	24	11	25	86	33	0.84	Each	25	896508
885710Y	10	3200	167	32	15.5	34	111	45	1.575	Each	12	896510
885713Y	13	5300	208	39	20.5	40	136	52	3.12	Each	6	896513
885716Y	16	8000	254	49	24.5	53	173	64	5.875	Each	4	896516
885720Y	20	12500	272	59	27.5	64	200	77	8.5	Each	3	896520
885722Y	22	15000	310	70	35	74	229	92	14.3	Each	1	896522
885726Y	26	21200	363	80	34	75	242.8	99	18	Each	1	885726YK
885732Y	32	31500	472	105	45	97	334	147	44.5	Each	1	885732YK



Beaver Grade 80 Eye Foundry Hook

Code	Chain Size mm	W.L.L (kg)	e mm	d1 mm	d2 mm	h mm	b mm	g mm	Approx Weight (kg)	UOM	Pack Qty
885607	7-8	2000	121.7	18	12	31.2	120.8	63	1.09	Each	12
885610	10	3200	147.5	22	16	36.5	146	76	1.95	Each	8
885613	13	5300	175.6	27	19	44.5	171	89	3.22	Each	5
885616	16	8000	205	32	20	52	198	102	5.26	Each	3
885620	20	12500	232	38	25.4	65	232	114.5	9.07	Each	2
885622	22	15000	263	45	28.7	69	256	127.5	11.79	Each	1

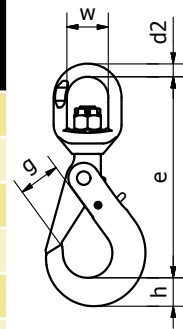


BEAVER GRADE 80 COMPONENT CONNECTORS (CONT'D)

Beaver Grade 80 Eye Swivel Self Locking Safety Hook c/w Ball Bearing

(Swivels under load)

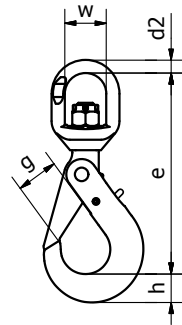
Code	Chain Size mm	W.L.L (kg)	e mm	d2 mm	h mm	g mm	w mm	Approx Weight (kg)	UOM	Pack Qty	Replacement Trigger Kit
886606	6	1100	163.3	11.5	19	27	32.5	0.71	Each	25	896606
886607	7-8	2000	195	13	26	35	36	1.1	Each	18	896607
886610	10	3200	237	15.5	30	44	42	2	Each	10	896610
886613	13	5300	282	17	27	53	50	4	Each	4	896613
886616	16	8000	341.5	21.5	48	60	61	7.3	Each	2	896616
886620	20	12500	399.5	26.5	61	87	76	11.6	Each	1	896620



Beaver Grade 80 Eye Swivel Self Locking Safety Hook

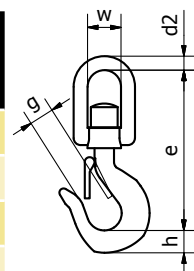
(Doesn't swivel under load)

Code	Chain Size mm	W.L.L (kg)	e mm	d2 mm	h mm	g mm	w mm	Approx Weight (kg)	UOM	Pack Qty	Replacement Trigger Kit
886507	7-8	2000	189	14	25	33	34	1.2	Each	15	896508
886510	10	3200	229	16	34	45	42	2.23	Each	8	896510
886513	13	5300	285	22	40	52	52	4.27	Each	6	896513
886516	16	8000	335	23	53	67	60	7.75	Each	3	896516
886520	20	12500	375	27	64	77	74	11.9	Each	2	896520



Grade 80 Eye Swivel Hook with Safety Latch

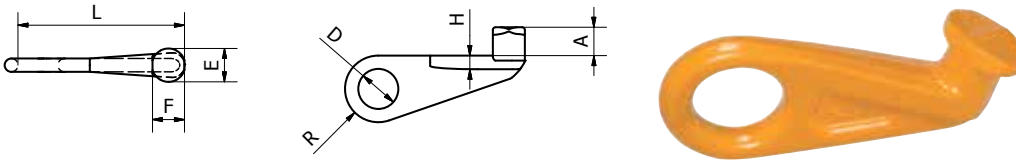
Code	Chain Size mm	W.L.L (kg)	e mm	d2 mm	h mm	g mm	w mm	Approx Weight (kg)	UOM	Pack Qty	Replacement Latch Kit
885407	7-8	2000	164	14	28	25	34	0.93	Each	15	895407
885410	10	3200	187	16	36	29	42	1.75	Each	8	895410
885413	13	5300	245	20	45	40	52	3.4	Each	7	895413
885416	16	8000	286	23	48	47	60	6.025	Each	4	895416



Beaver Grade 80 Eye Container Hook

Code	Dsc.	W.L.L (kg)	A mm	R mm	D mm	h mm	F mm	E mm	L mm	Approx Weight (kg)	UOM	Pack Qty
886845L	Left 45°	12500	46	60	70	25	75	48	240	4	Each	2
886845R	Right 45°	12500	46	60	70	25	75	48	240	4	Each	2

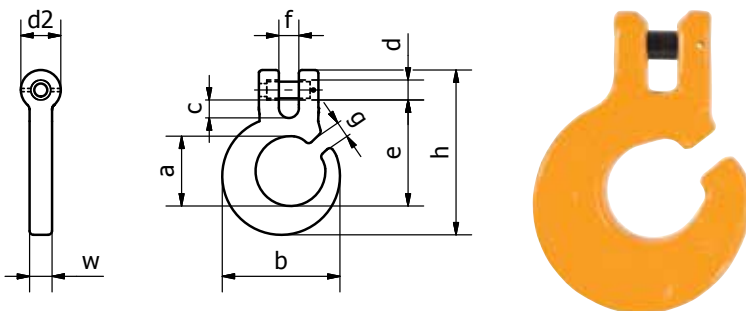
Approved for container lifting as part of an assembly



Beaver Grade 80 Clevis Choker Hook

Code	Chain Size mm	W.L.L (kg)	a mm	b mm	c mm	d mm	e mm	f mm	g mm	h mm	d2 mm	w mm	Approx Weight (kg)	UOM	Pack Qty
888807	7-8	2000	35.5	73	12.5	9.2	59.5	9.5	9.8	95.5	20	18	0.4	Each	40
888810	10	3200	45	98	16	12	80.5	13	13	137	24	22	0.9	Each	20
888813	13	5300	53.5	119	14	16	95	16	16	165	30	30	1.75	Each	10

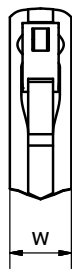
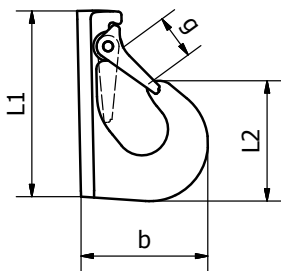
No Deration



BEAVER GRADE 80 COMPONENT CONNECTORS (CONT'D)

Beaver Grade 80 Weld-on Safety Excavator Hook

Code	W.L.L (kg)	b mm	g mm	L1 mm	L2 mm	w mm	Approx Weight (kg)	UOM	Pack Qty	Replacement Latch Kit
886701A	1000	53	18	87	55	20	0.35	Each	30	896701
886703A	3000	106	30.5	129	86	36	1.2	Each	15	896703
886705A	5000	133	34	171	118.5	43.5	2.46	Each	8	896705
886708	8000	136.5	34	177	118.5	51	3.26	Each	6	896708
886710	10000	169.5	51	223	154	53	5.17	Each	4	896710





GRADE 100 LIFTING CHAIN AND COMPONENTS



BEAVER GRADE 100 LIFTING CHAIN AND COMPONENTS

Beaver Grade 100 Lifting Chain

Beaver Grade 100 Lifting Chain is sourced from Europe and other world leading manufacturers, such as Pewag and Weissenfels Tech Chains. Our Grade 100 chain complies with European Standard EN 818-2 and is tested in accordance with Australian Standard AS 2321.

- Its rugged, versatile, high strength and low-weight
- Beaver-Pewag Grade 100 Chain carries the mark “10” stamped on every link along its entire length for easy identification
- Beaver-Weissenfels Grade 100 Chain carries the mark “VIS200-10” stamped along its entire length for easy identification
- Sizes available from 6-32mm

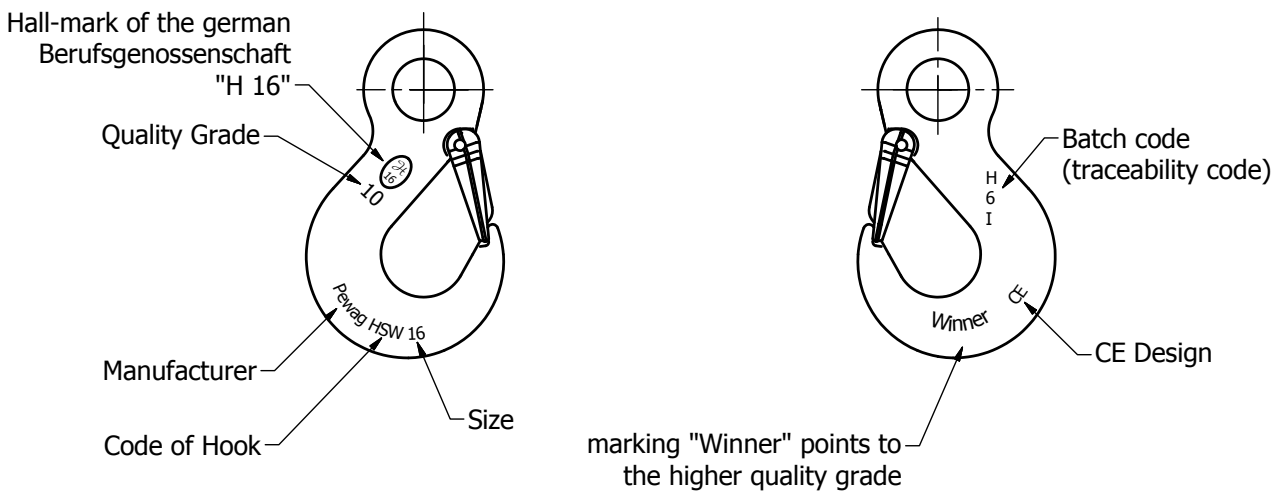
Beaver Grade 100 Lifting Components

Beaver Grade 100 Lifting Components are sourced from Europe and other world leading manufacturers, such as Pewag and Weissenfels Tech Chains.

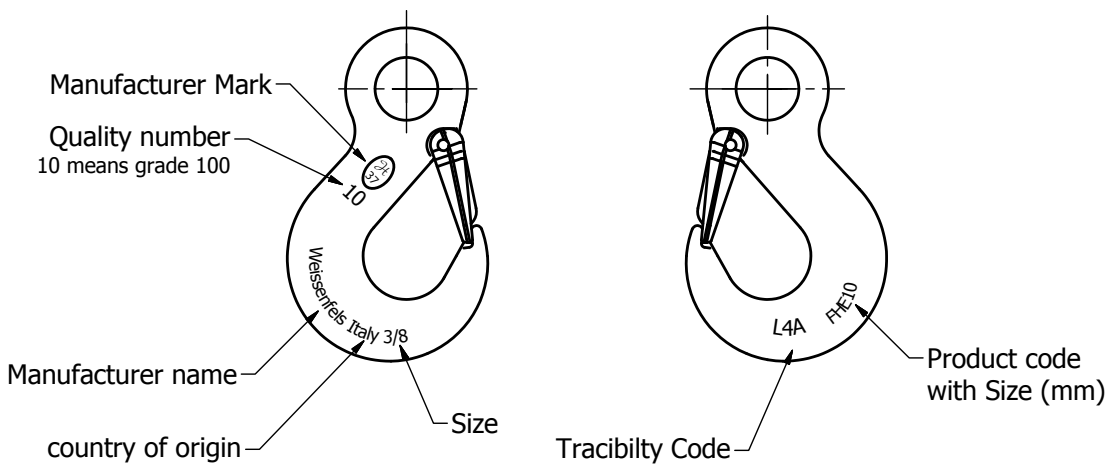
Our Grade 100 components comply with European Standard EN 1677 and are tested in accordance with Australian Standard AS 2321.

- Beaver-Pewag Grade 100 easy identification – please see drawing 2.1
 - Sizes available 6mm-32mm
- Beaver-Weissenfels Grade 100 – please see drawing 2.2
 - Sizes available 6mm-22mm

2.1 Pewag Grade 100 Component markings



2.2 Weissenfels Grade 100 Component markings



BEAVER GRADE 100 – SINGLE AND DOUBLE LEG CHAIN SLINGS

Beaver Grade 100 Single Leg Sling with Clevis Sling Hook

c/w Safety Latch & Shortening Grab Hook– AS 3775.1

Code	Chain Size mm	Effective Length mtr	W.L.L No Deration (kg)
G1-CSA08117525	8	1	2500
G1-CSA08127525	8	2	2500
G1-CSA08137525	8	3	2500
G1-CSA10117525	10	1	4000
G1-CSA10127525	10	2	4000
G1-CSA10137525	10	3	4000



Beaver Grade 100 Double Leg Sling with Clevis Sling Hook

c/w Safety Latch & 2 Shortening Grab Hook– AS 3775.1

Code	Chain Size mm	Effective Length mtr	W.L.L @ 60° No Deration (kg)
G1-CSA08217525	8	1	4300
G1-CSA08227525	8	2	4300
G1-CSA08237525	8	3	4300
G1-CSA08247525	8	4	4300
G1-CSA08267525	8	6	4300
G1-CSA10217525	10	1	6900
G1-CSA10227525	10	2	6900
G1-CSA10237525	10	3	6900
G1-CSA10247525	10	4	6900
G1-CSA10267525	10	6	6900
G1-CSA13217525	13	1	11600
G1-CSA13227525	13	2	11600
G1-CSA13237525	13	3	11600
G1-CSA13247525	13	4	11600



Beaver Grade 100 Single Leg Sling with Clevis Self Locking Hook

c/w Shortening Grab Hook – AS 3775.1

Code	Chain Size mm	Effective Length mtr	W.L.L No Deration (kg)
G1-CSA08117545	8	1	2500
G1-CSA08127545	8	2	2500
G1-CSA08137545	8	3	2500
G1-CSA10117545	10	1	4000
G1-CSA10127545	10	2	4000
G1-CSA10137545	10	3	4000



Beaver Grade 100 Double Leg Sling with Clevis Self Locking Hook

c/w 2 Shortening Grab Hook – AS 3775.1

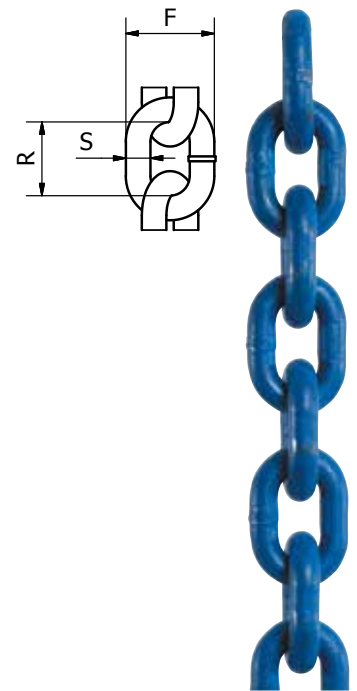
Code	Chain Size mm	Effective Length mtr	W.L.L @ 60° No Deration (kg)
G1-CSA08217545	8	1	4300
G1-CSA08227545	8	2	4300
G1-CSA08237545	8	3	4300
G1-CSA08247545	8	4	4300
G1-CSA08267545	8	6	4300
G1-CSA10217545	10	1	6900
G1-CSA10227545	10	2	6900
G1-CSA10237545	10	3	6900
G1-CSA10247545	10	4	6900
G1-CSA10267545	10	6	6900
G1-CSA13217545	13	1	11600
G1-CSA13227545	13	2	11600
G1-CSA13237545	13	3	11600
G1-CSA13247545	13	4	11600



MASTER LINKS AND SETS FOR G100 ASSEMBLY SYSTEMS

Beaver – Pewag Winner Lifting Chain – Grade 100

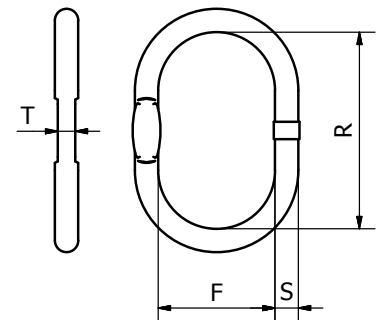
Code	W.L.L (kg)	Size mm	S mm	R Pitch mm	F Outside Width mm	Weight kg/m	Finish	UOM	Metres Per 100kg	Metres Per 500kg Drum
WIN6	1400	6	6	18	21.6	0.96	Painted	Metre	104	520
WIN8	2500	8	8	24	28.8	1.57	Painted	Metre	64	320
WIN10	4000	10	10	30	36.0	2.46	Painted	Metre	40	200
WIN13	6700	13	13	39	46.8	4.18	Painted	Metre	24	120
WIN16	10000	16	16	48	57.6	6.28	Painted	Metre	15.9	79.5
WIN20	16000	20	20	62	70.5	8.90	Painted	Metre	11.2	56
WIN22	19000	22	22	66	79.2	11.88	Painted	Metre	8.2	41
WIN26	26500	26	26	78	94.1	16.18	Painted	Metre	6.18	30.9
WIN32	40000	32	32	96	107.0	24.10	Painted	Metre	4.15	20.75



Designed for 2, 3, 4 Leg Applications

Beaver – Pewag Winner Large Master Link – Grade 100

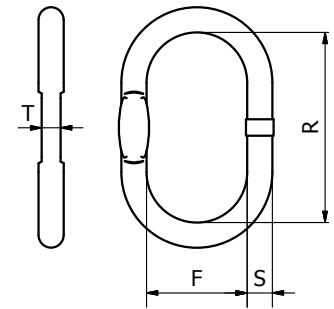
Code	Chain Size mm		W.L.L (kg)	S mm	R mm	F mm	T mm	Approx Weight (kg)	UOM	Pack Qty
	1 Leg	2 Leg								
MW10	5	5	1730	11	90	65	10	0.22	Each	25
MW13	6.7	7	2400	14	120	70	10	0.44	Each	16
MW16	8	7	3300	16	140	80	13	0.67	Each	8
MW18	10	8	4300	19	160	95	14	1.09	Each	6
MW22	13	10	6900	23	160	110	17	1.69	Each	3
MW26	16	13	11600	27	190	110	20	2.65	Each	2
MW32	20	16	17300	33	230	130	26	4.78	Each	1
MW36	22	20	27700	38	275	150	29	7.48	Each	1
MW56	32	26	45800	56	350	250	-	21.98	Each	1



Designed for Single & 2 Leg Applications

Beaver – Pewag Winner AW Master Link – Grade 100

Code	Chain Size mm		W.L.L (kg)	S mm	R mm	F mm	T mm	Approx Weight (kg)	UOM	Pack Qty
	1 Leg	2 Leg								
AW16	8	7	3500	16	110	60	14	0.53	Each	1
AW18	10	8	5000	19	135	75	14	0.92	Each	1
AW22	13	10	7600	23	160	90	17	1.6	Each	1
AW26	16	13	10000	27	180	100	20	2.46	Each	1
AW32	19	16	14000	33	200	110	26	4.14	Each	1
AW36	22	19	25100	36	260	140	-	6.22	Each	1
AW45	26	22	30800	45	340	180	-	12.82	Each	1
AW50	32	26	40000	50	350	190	-	16.55	Each	1
AW56	-	32	64000	60	400	200	-	27.01	Each	1
AW72	-	-	85000	70	460	250	-	45	Each	1



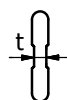
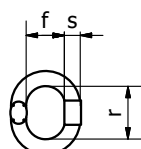
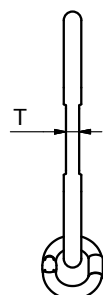
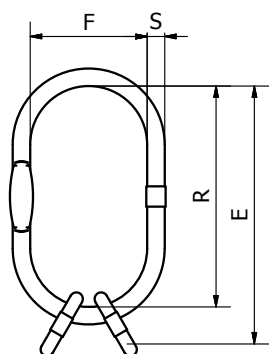
Designed for Single & 2 Leg Applications

Beaver – Pewag Winner Large Master Link – Grade 100

for use with large Ram horn hooks. c/w Intermediate Rings for chain slings. Grade 100

Code	Chain Size mm	W.L.L (kg)	S mm	E mm	R mm	F mm	T mm	s mm	r mm	f mm	t mm	Approx Weight (kg)	UOM	Pack Qty
VLW2-8	8	5600	27	410	340	180	20	13	54	25	10	5.1	Each	1
VLW2-10	10	9500	33	425	340	180	27	17	70	34	14	8	Each	1
VLW2-13	13	14000	40	455	340	180	29	20	85	40	-	12.3	Each	1
VLW2-16	16	21200	40	480	340	180	29	23	115	50	17	13.8	Each	1

Designed for 2, 3 & 4 Leg Applications

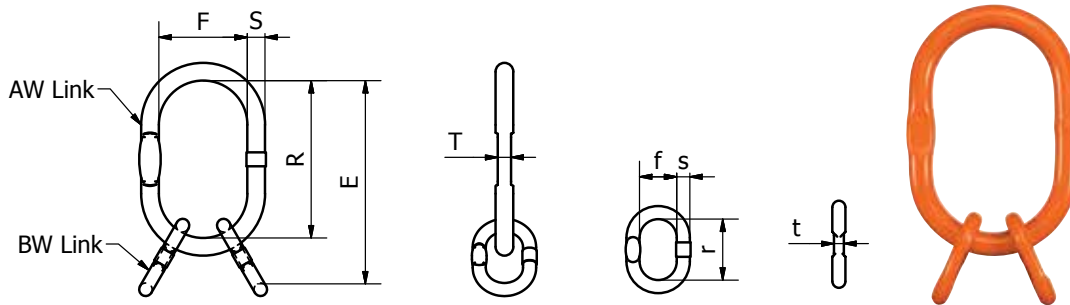


MASTER LINKS AND SETS FOR G100 ASSEMBLY SYSTEMS CONT'D

Beaver – Pewag Winner VW Multi-Leg Master Link Assembly – Grade 100

Code	Chain Size mm	W.L.L @60° (kg)	S mm	E mm	R mm	F mm	T mm	s mm	r mm	f mm	t mm	Approx Weight (kg)	UOM	Pack Qty
VW7-8	7-8	7600	23	230	160	90	17	17	70	34	14	2.32	Each	1
VW10	10	9600	27	265	180	100	20	20	85	40	14	3.68	Each	1
VW13	13	14000	33	315	200	110	26	23	115	50	17	6.46	Each	1
VW16	16	21200	36	400	260	140	-	27	140	65	20	10.06	Each	1
VW20	20	34100	50	500	350	190	-	33	150	70	26	22.87	Each	1
VW22	22	40000	50	520	350	190	-	36	170	75	-	24.79	Each	1
VW26	26	56000	60	570	400	200	-	45	170	80	-	41.31	Each	1
VW32	32	85	70	660	460	250	-	50	200	100	-	66.6	Each	1

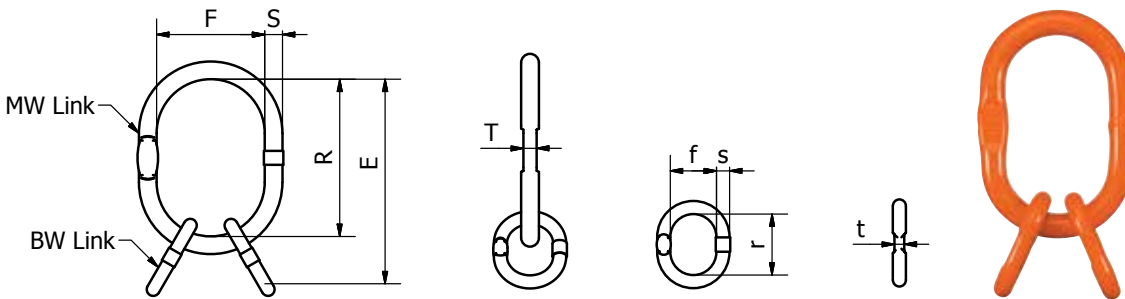
Designed for 2, 3 & 4 Leg Applications



Beaver – Pewag Winner VMW Enlarged Multi-Leg Master Link Assembly – Grade 100

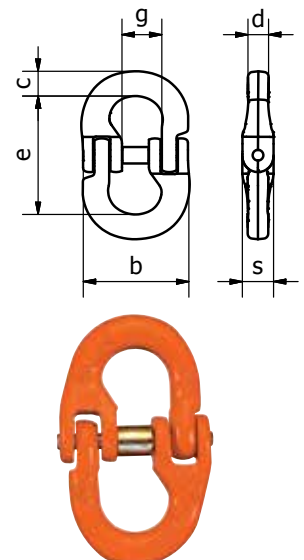
Code	Chain Size mm	W.L.L @60° (kg)	S mm	E mm	R mm	F mm	T mm	s mm	r mm	f mm	t mm	Approx Weight (kg)	UOM	Pack Qty
VMW7-8	8	6600	23	230	160	110	17	17	70	34	14	2.41	Each	1
VMW10	10	10100	27	275	190	110	20	20	85	40	14	4.01	Each	1
VMW13	13	15700	33	345	230	130	26	23	115	50	17	6.9	Each	1
VMW16	16	21200	38	415	275	150	29	27	140	65	20	11.12	Each	1
VMW20	20	34100	56	500	350	250	-	33	150	70	26	28.08	Each	1
VMW22	22	40000	56	520	350	250	-	36	170	75	-	30.62	Each	1

Designed for 2, 3 & 4 Leg Applications



Beaver – Pewag Winner Connecting Link – Grade 100

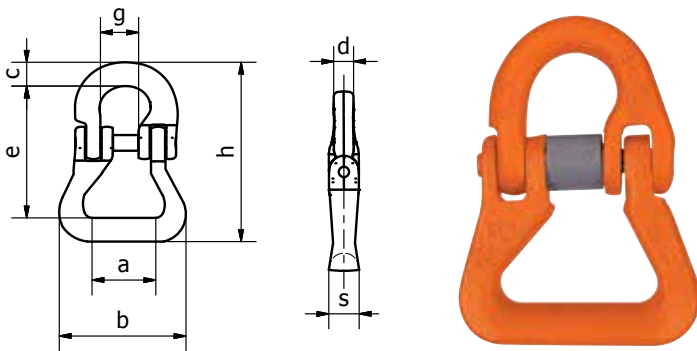
Code	Chain Size mm	W.L.L (kg)	e mm	c mm	s mm	d mm	b mm	g mm	Approx Weight (kg)	UOM	Pack Qty	Replacement Bolt Kit
CW6	6	1400	44	8	11	8	39	14	0.06	Each	20	CBHW6
CW8	8	2500	62	12	15	10	53	18	0.18	Each	20	CBHW8
CW10	10	4000	72	13	18	13	63	23	0.33	Each	30	CBHW10
CW13	13	6700	88	19	22	17	79	28	0.7	Each	20	CBHW13
CW16	16	10000	103	21	29	21	106	33	1.4	Each	12	CBHW16
CW20	20	16000	115	30	35	25	118	42	2.14	Each	8	CBHW20
CW22	22	19000	161	34	39	25	148	51	4.15	Each	6	CBHW22
CW26	26	26500	190	40	46	30	175	60	6.7	Each	4	CBHW26
CW32	32	40000	206	47	56	35	216	80	11.2	Each	2	CBHW32



MASTER LINKS AND SETS FOR G100 ASSEMBLY SYSTEMS (CONT'D)

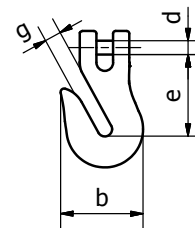
Beaver – Pewag Round Sling Connecting Link G100

Code	Chain Size mm	W.L.L (kg)	e mm	c mm	g mm	h mm	a mm	b mm	d mm	s mm	Approx Weight (kg)	UOM	Pack Qty	Replacement Bolt Kit
CARW8	8	2500	66	12	18	91	29	65	10	18	0.3	Each	20	CBHW8
CARW10	10	4000	81	13	23	112	40	82	13	21	0.5	Each	30	CBHW10
CARW13	13	6700	104	19	28	144	50	100	17	28	1.1	Each	20	CBHW13
CARW16	16	10000	113	21	33	164	47	110	21	40	2	Each	12	CBHW16
CARW22	22	19000	178	29	48	250	109	215	27	59	6.5	Each	6	CBHW22



Beaver – Pewag Winner Clevis Grab Hook – Grade 100

Code	Chain Size mm	W.L.L (kg)	e mm	b mm	d mm	g mm	Approx Weight (kg)	UOM	Pack Qty
KPW6	6	1400	45	47	7	8	0.19	Each	80
KPW8	8	2500	61	58	10	11.5	0.38	Each	55
KPW10	10	4000	76	76	13	13	0.85	Each	25
KPW13	13	6700	104	101	16	17	1.9	Each	12
KPW16	16	10000	116	120	20	20	3.6	Each	8
KPW20	20	16000	141	150	24	25	6.15	Each	4
KPW22	22	19000	158	165	27	27	9	Each	3



No Deration



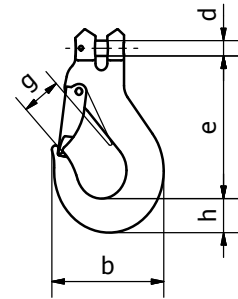
CAUTION

The design of the clevis shortening grab hooks allow for a quick visual check that the chain is seated in the hook's mouth correctly. The design of the hook means that the supported chain no longer contacts the bearing surface of the hook, due to the chain being supported by the side faces of the hook. Meaning no deration of the rated capacity.

Beaver – Pewag Winner Clevis Sling Hook c/w Safety Catch – Grade 100

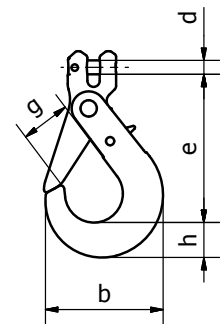
Code	Chain Size mm	W.L.L (kg)	e mm	h mm	d mm	g mm	b mm	Approx Weight (kg)	UOM	Pack Qty	Replacement Latch Kit
KHSW6	6	1400	69	20	7	19	66	0.2	Each	50	SFGW5/6
KHSW8	8	2500	95	28	10	26	90	0.6	Each	30	SFGW7/8
KHSW10	10	4000	109	35	13	31	108	1.1	Each	18	SFGW10
KHSW13	13	6700	136	41	16	39	131	2	Each	10	SFGW13
KHSW16	16	10000	155	49	20	45	153	3.48	Each	5	SFGW16
KHSW20	20	16000	184	53	24	53	177	5	Each	2	SFGW20
KHSW22	22	19000	214	62	27	62	196	9	Each	2	SFGW22

No Deration



Beaver – Pewag Winner Clevis Self Locking Hook – Grade 100

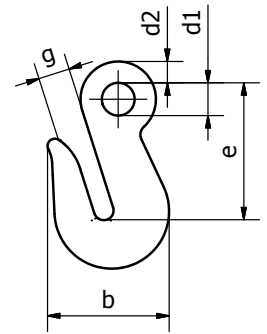
Code	Chain Size mm	W.L.L (kg)	e mm	h mm	b mm	d mm	g mm	Approx Weight (kg)	UOM	Pack Qty	Replacement Trigger Kit
KLHW8	8	2500	123	26	88	10	34	0.9	Each	25	VLHW7/8
KLHW10	10	4000	144	30	107	13	45	1.6	Each	12	VLHW10
KLHW13	13	6700	180	40	138	16	52	2.9	Each	6	VLHW13
KLHW16	16	10000	218	50	168	20	60	5.8	Each	4	VLHW16
KLHW19-20	20	16000	260	62	194	24	70	10	Each	3	VLHW20/22
KLHW22	22	19000	284	65	211	27	81	12.8	Each	1	VLHW20/22
KLHW26	26	26500	339	79	253	33	100	21	Each	1	VLHW26



MASTER LINKS AND SETS FOR G100 ASSEMBLY SYSTEMS (CONT'D)

Beaver – Pewag Winner Eye Shortening Grab Hook – Grade 100

Code	Chain Size mm	W.L.L (kg)	e mm	b mm	d1 mm	d2 mm	g mm	Approx Weight (kg)	UOM	Pack Qty
PW8	7-8	2500	71	58	20	12	11	0.4	Each	80
PW10	10	4000	88	76	22	15	13	0.9	Each	30
PW13	13	6700	113	101	26	18	17	1.8	Each	15
PW16	16	10000	129	118	32	23	19	3.6	Each	8
PW20	20	16000	151	150	36	27	25	6.15	Each	5
PW22	22	19000	170	165	42	31	27	8.3	Each	3
PW26	26	26500	201	195	50	37	32	13.8	Each	2
PW32	32	31500	240	210	60	40	39	18.6	Each	1

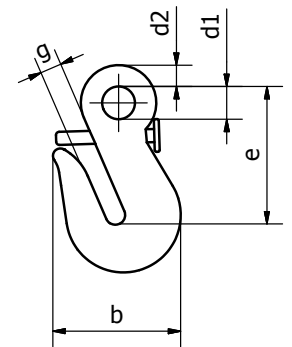


Used for the shortening of chain sling legs. It's the first grab hook in Grade 100 on the market. Due to its unique design there is no deration in the load capacity. This is due to the 4 fold feature of the hooks supporting cradle design.

No Deration

Beaver – Pewag Winner Eye Grab Hook c/w Safety Pin – Grade 100

Code	Chain Size mm	W.L.L (kg)	e mm	b mm	d1 mm	d2 mm	g mm	Approx Weight (kg)	UOM	Pack Qty	Replacement Pin Kit
PSW7-8	8	2500	71	58	20	12	11	0.4	Each	1	PSGW7/8
PSW10	10	4000	88	76	22	15	13	0.9	Each	1	PSGW10
PSW13	13	6700	113	101	26	18	17	1.8	Each	1	PSGW13
PSW16	16	10000	129	118	32	23	19	3.6	Each	1	PSGW16

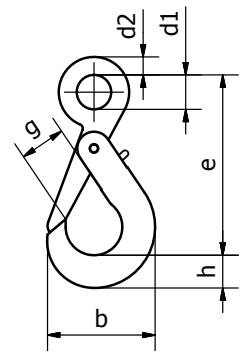


The first grade 100 eye shortening safety grab hook which prevents the accidental release of the chain whilst still providing no deration in capacity. This feature is useful when the chains have been loaded fully as there is no possibility of the chain becoming dislodged from the grab hook. Meaning once you have adjusted the legs there is no need to adjust them again.

No Deration

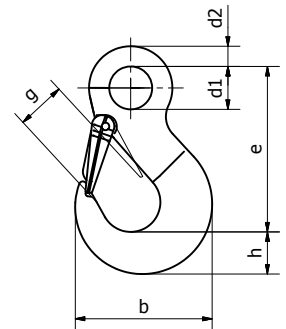
Beaver – Pewag Winner Safety Eye Self Locking Hook – Grade 100

Code	Chain Size mm	W.L.L (kg)	e mm	h mm	b mm	d1 mm	d2 mm	g mm	Approx Weight (kg)	UOM	Pack Qty	Replacement Trigger Kit
LHW7-8	7-8	2500	136	26	88	25	12	34	0.9	Each	25	VLHW7/8
LHW10	10	4000	169	30	107	35	15	45	1.5	Each	12	VLHW10
LHW13	13	6700	205	40	138	40	20	52	2.7	Each	8	VLHW13
LHW16	16	10000	251	50	168	50	27	60	5.7	Each	4	VLHW16
LHW19-20	20	16000	290	62	194	60	30	70	9.8	Each	3	VLHW19-20
LHW22	22	19000	322	65	211	70	32	81	12.4	Each	1	VLHW22



Beaver – Pewag Winner Eye Sling Hook c/w Safety Catch – Grade 100

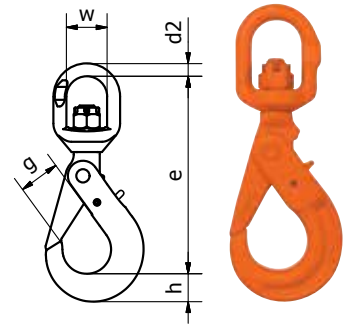
Code	Chain Size mm	W.L.L (kg)	e mm	h mm	d1 mm	d2 mm	g mm	b mm	Approx Weight (kg)	UOM	Pack Qty	Replacement Latch Kit
HSW8	7-8	2500	106	27	25	11	26	88	0.5	Each	30	SFGW7/8
HSW10	10	4000	131	33	34	16	31	109	1.1	Each	18	SFGW10
HSW13	13	6700	164	44	43	19	39	134	2.2	Each	10	SFGW13
HSW16	16	10000	183	50	50	25	45	155	3.5	Each	5	SFGW16
HSW20	20	16000	205	55	55	27	53	178	5.8	Each	3	SFGW20
HSW22	22	19000	225	62	60	29	62	196	8	Each	2	SFGW22
HSW26	26	26500	259	75	70	37	73	235	12.8	Each	1	SFGW26-32
HSW32	32	31500	299	89	66	42	87	281	22.4	Each	1	SFGW26-32



MASTER LINKS AND SETS FOR G100 ASSEMBLY SYSTEMS (CONT'D)

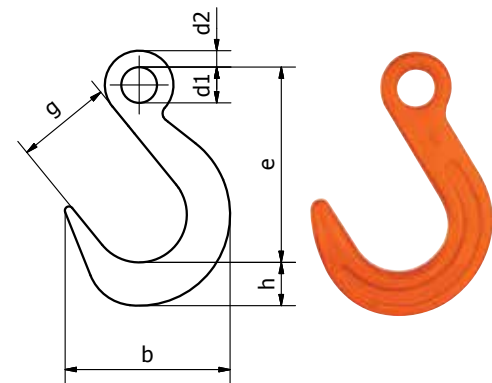
Beaver – Pewag Winner Swivel Self Locking Hook – Grade 100

Code	Chain Size mm	W.L.L (kg)	d2 mm	e mm	h mm	g mm	w mm	Approx Weight (kg)	UOM	Pack Qty	Replacement Trigger Kit
WLHBW6	6	1400	13	160	20	28	35	0.6	Each	20	VLHW6
WLHBW7/8	8	2500	13	181	26	34	35	1.1	Each	15	VLHW7/8G
WLHBW10	10	4000	16	218	30	45	42	2	Each	8	VLHW10
WLHBW13	13	6700	20	269	40	52	49	4	Each	6	VLHW13
WLHBW16	16	10000	24	319	50	60	60	6.8	Each	2	VLHW16



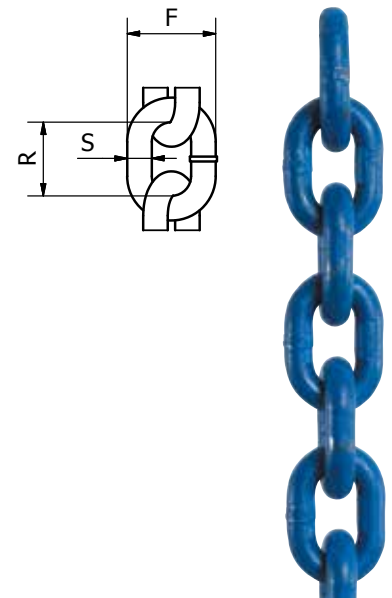
Beaver – Pewag Winner Eye Foundry Hook – Grade 100

Code	Chain Size mm	W.L.L (kg)	e mm	h mm	d1 mm	d2 mm	g mm	b mm	Approx Weight (kg)	UOM	Pack Qty
FW10	10	4000	158	35	31	14	76	143	1.77	Each	8
FW13	13	6700	190	42	39	17	89	170	2.82	Each	5
FW16	16	10000	224	50	47	22	102	200	5.03	Each	3
FW20	20	16000	260	61	56	28	114	231	7.6	Each	2



Beaver – Weissenfels Lifting Chain – Grade 100

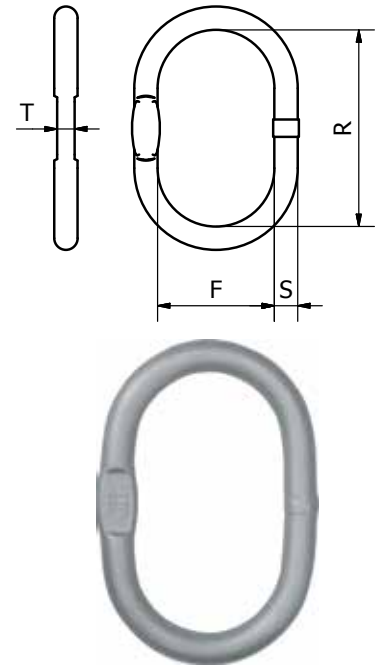
Code	W.L.L (kg)	Size mm	S mm	R Pitch mm	F Outside Width mm	Weight kg/m	Finish	UOM	Metres Per 100kg
VIS8	2500	8	8	24	29.6	1.51	Painted	Metre	66.2
VIS10	4000	10	10	30	37	2.4	Painted	Metre	41.7
VIS13	6700	13	13	39	48.1	4	Painted	Metre	25.0
VIS16	10000	16	16	48	59.2	6	Painted	Metre	16.7
VIS20	16000	20	20	60	74	9.21	Painted	Metre	10.8
VIS22	19000	22	22	66	81.4	11.4	Painted	Metre	8.8



Designed for 2, 3, 4 Leg Applications

Beaver – Weissenfels Master Link – Grade 100

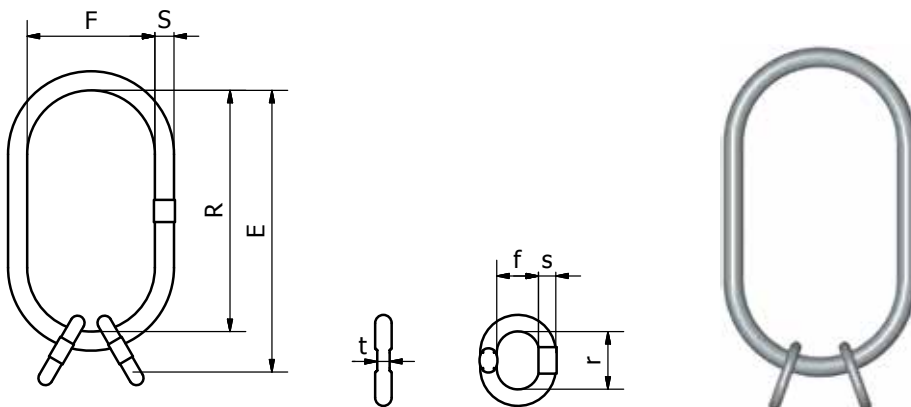
Code	Chain Size mm		W.L.L (kg)	S mm	R mm	F mm	T mm	Approx Weight (kg)	UOM	Pack Qty
	1 Leg	2 Leg								
E14	8	7	3400	15	120	70	8	0.5	Each	8
E16	10	8	4500	17	140	80	8	0.75	Each	6
E20	13	10	6950	20	160	95	11.5	1.21	Each	3
E22	-	-	8400	23	160	110	11.5	1.69	Each	2
E26	16	13	12000	27	190	110	14	2.65	Each	1
D38	22	19-20	27700	38	275	150	-	7.5	Each	1
D45	-	22	36000	45	340	180	-	12.82	Each	1
E50	-	-	41550	50	350	250	-	17.6	Each	1



Beaver – Weissenfels CMLD Large Master Link – Grade 100

for use with large Ram horn hooks. c/w Intermediate Rings for chain slings.

Code	Chain Size mm	W.L.L @60° (kg)	S mm	E mm	R mm	F mm	s mm	r mm	f mm	t mm	Approx Weight (kg)	UOM	Pack Qty
CMLD22	8	3550	23	400	340	180	13	60	38	-	3.5	Each	1
CMLD26	10	5600	27	410	340	180	16	70	34	-	5.1	Each	1
CMLD32	13	9500	33	425	340	180	19	85	40	-	8	Each	1
CMLD40	16	1400	40	455	340	180	23	115	50	-	12.3	Each	1

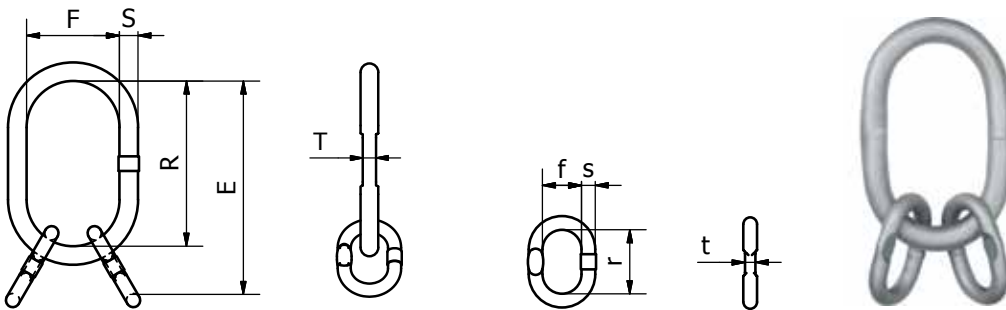


MASTER LINKS AND SETS FOR G100 ASSEMBLY SYSTEMS (CONT'D)

Beaver – Weissenfels DL Multi-Leg Master Link Assembly – Grade 100

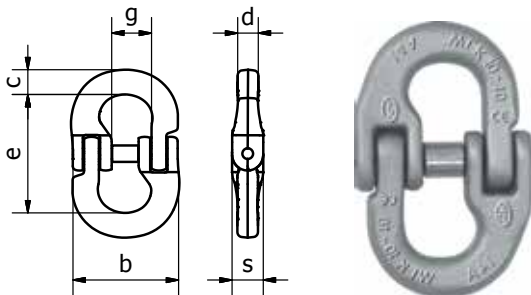
Code	Chain Size mm	W.L.L @60° (kg)	S mm	R mm	F mm	E mm	s mm	r mm	f mm	t mm	Approx Weight (kg)	UOM	Pack Qty
DL22	8	6950	23	160	90	230	16	70	34	8	2.38	Each	1
DL26	10	10400	27	180	100	265	19	85	40	11.5	3.81	Each	1
DL32	13	18000	33	200	110	315	23	115	50	14	6.57	Each	1
DL38	16	27700	38	275	150	415	27	140	65	18	11.45	Each	1
DL50	19-20	41550	50	350	190	500	33	150	70	-	23	Each	1
DL56	22	50250	56	350	250	520	36	170	75	-	31	Each	1

Designed for 2, 3 & 4 Leg Applications



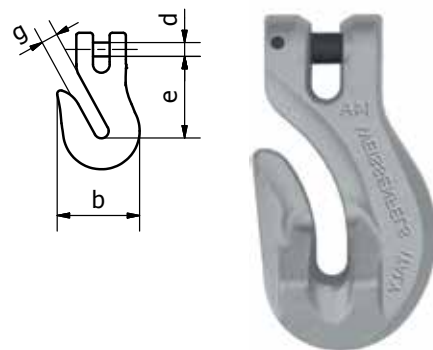
Beaver – Weissenfels VIS Connecting Link – Grade 100

Code	Chain Size mm	W.L.L (kg)	e mm	c mm	b mm	g mm	s mm	d mm	Approx Weight (kg)	UOM	Pack Qty
WLK6	6	1400	44	7.8	39	14	11	7.6	0.07	Each	20
WLK8	8	2500	61.5	11.5	53	18	15	10	0.19	Each	20
WLK10	10	4000	72	13.8	63	22.5	19.1	12.6	0.38	Each	40
WLK13	13	6700	88	19	79	27.5	23.5	16.7	0.73	Each	20
WLK16	16	10000	103	21	106	33	30	21	1.43	Each	12
WLK19-20	20	16000	115	29.5	126	41.5	35	23.5	2.65	Each	8
WLK22	22	19000	135	29	146	48.5	40.2	27	3.75	Each	5



Beaver – Weissenfels VIS Clevis Grab Hook – Grade 100

Code	Chain Size mm	W.L.L (kg)	e mm	b mm	d mm	g mm	Approx Weight (kg)	UOM	Pack Qty
GSC8	8	2500	66	57.5	9.6	9.5	0.6	Each	16
GSC10	10	4000	82	72.5	12.5	12.5	1.14	Each	10
GSC13	13	6700	106	86.5	16	16.5	2.1	Each	7
GSC16	16	10000	130	105	20	22	3.8	Each	4
GSC19-20	20	16000	162	131	24	26	7.34	Each	1
GSC22	22	19000	178	144	27	29.5	9.5	Each	1



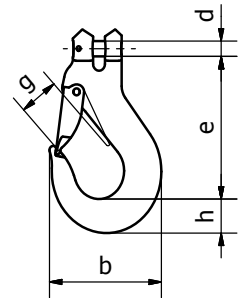
No Deration

MASTER LINKS AND SETS FOR G100 ASSEMBLY SYSTEMS (CONT'D)

Beaver Weissenfels VIS Clevis Sling Hook c/w Safety Catch – Grade 100

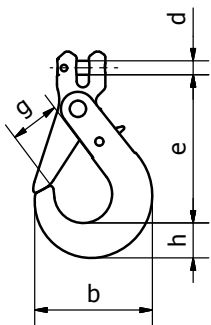
Code	Chain Size mm	W.L.L (kg)	e mm	h mm	d mm	g mm	b mm	Approx Weight (kg)	UOM	Pack Qty	Replacement Latch Kit
SHC8	7-8	2500	94.5	28	9.6	26	88	0.61	Each	30	FSL7-8
SHC10	10	4000	109	33	12.5	31	108	1.12	Each	18	FSL10
SHC13	13	6700	135	40	16	39	131	2	Each	10	FSL13
SHC16	16	10000	155	47	20	45	153	3.4	Each	5	FSL16
SHC19-20	20	16000	183	50	24	53	177	6.8	Each	2	FSL19-20
SHC22	22	19000	212	61	27	61	196	9	Each	2	FSL22

No Deration



Beaver – Weissenfels VIS Clevis Self Locking Hook – Grade 100

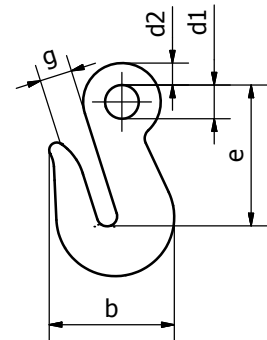
Code	Chain Size mm	W.L.L (kg)	e mm	h mm	b mm	d mm	g mm	Approx Weight (kg)	UOM	Pack Qty	Replacement Pin Kit
SKC7-8	7-8	2500	123	26	88	9.6	34	0.96	Each	25	LDN7-8
SKC10	10	4000	143.5	30	107	12.5	44.5	1.6	Each	12	LDN10
SKC13	13	6700	179.5	40	138	16	52.5	3.13	Each	6	LDN13
SKC16	16	10000	217	50	168	20	61	5.8	Each	4	LDN16



Beaver – Weissenfels VIS Eye Grab Hook – Grade 100

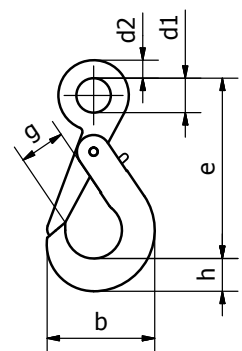
Code	Chain Size mm	W.L.L (kg)	e mm	b mm	d1 mm	d2 mm	g mm	Approx Weight (kg)	UOM	Pack Qty
GSE7-8	7-8	2500	74.5	57.5	16.5	13	9.5	0.54	Each	16
GSE10	10	4000	93	72.5	21	16	13.5	1.06	Each	10
GSE13	13	6700	121	94	27.5	20.5	15.5	2.39	Each	8
GSE16	16	10000	148.5	116	33.5	25	18.5	4.48	Each	4
GSE19-20	20	16000	174.5	132	37	28	24	6.3	Each	1
GSE22	22	19000	193	145	42	30	26	8.35	Each	1

No Deration



Beaver – Weissenfels Safety Eye Self Locking Hook – Grade 100

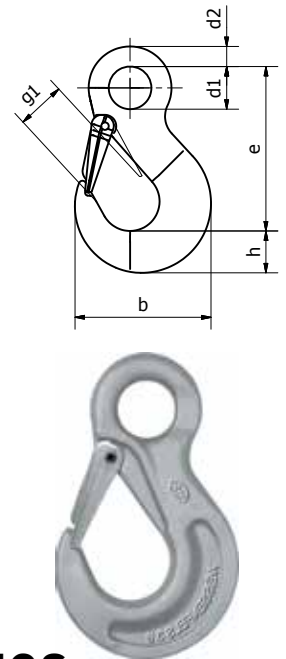
Code	Chain Size mm	W.L.L (kg)	e mm	h mm	b mm	d1 mm	d2 mm	g mm	Approx Weight (kg)	UOM	Pack Qty	Replacement Trigger Kit
SKE8	7-8	2500	136	26	88	27	12	34	0.89	Each	24	LDN7-8
SKE10	10	4000	168.5	30	107.5	34.5	15	44.5	1.58	Each	14	LDN10
SKE13	13	6700	205	40	138	40	20	52.5	3.16	Each	6	LDN13
SKE16	16	10000	251.5	50	168	50	27	61	6.05	Each	4	LDN16



MASTER LINKS AND SETS FOR G100 ASSEMBLY SYSTEMS (CONT'D)

Beaver – Weissenfels Eye Sling Hook c/w Safety Catch – Grade 100

Code	Chain Size mm	W.L.L (kg)	e mm	h mm	d1 mm	d2 mm	g1 mm	b mm	Approx Weight (kg)	UOM	Pack Qty	Replacement Latch Kit
SHE8	7-8	2500	106	27	25	11	25	88	0.56	Each	20	FSL7-8
SHE10	10	4000	131	33	34	16	31	108	1.2	Each	20	FSL10
SHE13	13	6700	164	42	43	19	39	134	2.35	Each	10	FSL13
SHE16	16	10000	182.5	50	50	25	45	155	3.72	Each	4	FSL16
SHE20	20	16000	205	54	55	27	54	177.5	5.95	Each	1	FSL19-20
SHE22	22	19000	225	61	60	30	61	196	7.87	Each	1	FSL22



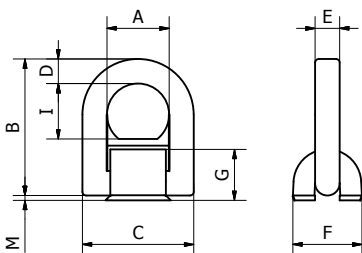
B-ALLOY-V WELD-ON LIFTING AND LASHING RINGS

B-Alloy-V Weld-on Lifting and Lashing Rings – Design Safety Factor 4:1 *

Code	W.L.L Tonnes (kg)	A mm	B mm	C mm	D mm	E mm	F mm	G mm	I mm	M mm	Weld mm HV+aL	Weight (kg)
BALPV015	1500	38	79	66	14	13.5	32	25	31	2	HV5+3	0.40
BALPV025	2500	45	92.5	77	16	13.5	36	27	38	3.5	HV7+3	0.60
BALPV040	4000	51	102	87	18	16.5	42	32	40.5	2	HV8+3	0.90
BALPV067	6700	67	138	115	24	22.5	61	44	55	4	HV12+4	2.0
BALPV100	10000	67.5	142	129	26.5	57.5	75	53	57.5	4	HV16+4	3.0
BALPV160	16000	100	215	190	40	26	95	69	85	5	HV25+6	6.9

Welding Instructions & Procedures

The welding should only be carried out according to EN 287 or AWS Standards by an authorised welder.



Beaver Code	WLL Tonnes	Weld Size	Weld Length	Weld Volume
BALPV015	1.5	HV 5+a3 Δ	2 x 33mm	ca. 1,2cm ³
BALPV025	2.5	HV 7+a3 Δ	2 x 40mm	ca. 2,6cm ³
BALPV040	4	HV 8+a3 Δ	2 x 40mm	ca. 3,2cm ³
BALPV067	6.7	HV 12+a4 Δ	2 x 60mm	ca. 8.7cm ³
BALPV100	10	HV 16+a4 Δ	2 x 60mm	ca. 15,5cm ³
BALPV160	16	HV 25+a6 Δ	2 x 90mm	ca. 56cm ³

* Detailed welding instructions are available on request.

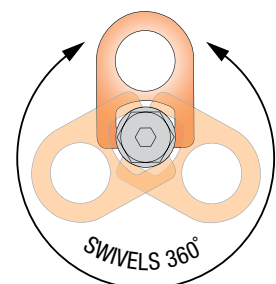
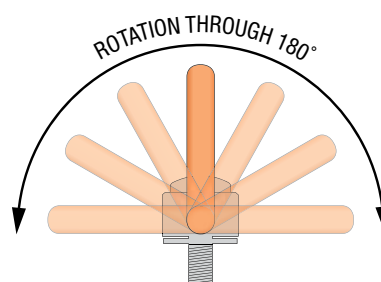
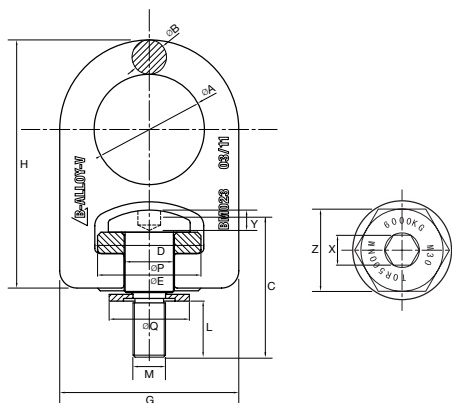
B-ALLOY-V BOLT-ON LIFTING AND LASHING LUG

B-Alloy-V Bolt-on Lifting and Lashing Lug – Design Safety Factor 4:1

Code	W.L.L Tonnes (kg)	Tread Size mm	Torque N*M	L mm	A mm	B mm	C mm	D mm	E mm	H mm	G mm	P mm	Q mm	X mm	Y mm	Z mm	Weight (kg)
BRLP-M12	1	M12	100	33	35.6	11.2	60	35.3	33.5	80.5	60.5	15.6	31.2	8.03	5	25.4	0.4
BRLP- 1/2UNC	1	1/2UNC	100	33	35.6	11.2	60.3	5.3	33.5	80.5	60.5	15.6	31.2	8.03	5	25.4	0.4
BRLP-M16	1.5	M16	150	33	35.6	11.2	60	35.3	33.5	80.5	60.5	15.6	31.2	8.03	5	25.4	0.4
BRLP-M20	2.5	M20	300	33	61	19.1	82.6	60.2	57.2	137	103	26.7	53.3	15.9	9.4	44.5	1.8
BRLP-M24	4	M24	400	37	61	19.1	82.6	60.2	57.2	137	103	26.7	53.3	15	9.4	44.5	1.8
BRLP-M30	6	M30	500	50	81.3	25.4	110.8	80.3	76.2	183	137.2	35.6	71.1	22.1	15	60.3	4.1
BRLP-M36	8	M36	800	54	81.3	25.4	110.8	80.3	76.2	183	137.2	35.6	71.1	22.1	15	60.3	4.1
BRLP-M42	10	M42	1000	63	101.6	31.8	139.4	100.3	95.3	229	171.5	44.5	88.9	27.1	18	76.2	9
BRLP-1½UNC	10	1½UNC	1000	63	101.6	31.8	139.4	100.3	95.3	229	171.5	44.5	88.9	27.1	18	76.2	9

FEATURES

- › High strength lifting or lashing point
- › Has full working load limit at all angles & rotations
- › Easily attached to the required lifting base or item
- › Design Safety Factor 4:1
- › All B-Alloy-V Bolt-On Lugs are 100% magnetically crack inspected (MCI)
- › Eye screw in electro galvanised finish
- › Durable powder coated finish of the lifting lug
- › Functional compact design
- › Lifting lug with raised markings indicating Month & Year of manufacture, W.L.L. & B-Alloy-V ID & test number for accurate traceability.
- › Eye screw with raised markings showing W.L.L., size of thread & torque required when tightening
- › Test Certificate available
- › Several sizes available with UNC threads
- › Batch tested using Beaver’s NATA accredited laboratories & state of the art technology





GRADE 120 LIFTING CHAIN AND COMPONENTS

BEAVER GRADE 120 CHAIN AND COMPONENTS

Beaver-Pewag Grade 120 Lifting Chain

Beaver-Pewag Grade 120 Lifting Chain offers the ultimate strength to weight ratio for lifting purposes. Sourced from Europe the chain complies with European Standard EN 818-2. Due to the rectangular shape of the chain profile a larger contact is achieved between the bearings surfaces of the links (see diagram). This, in turn, reduces the surface pressure on the chain and consequently reduces wear substantially – This is a real advantage in abrasive environments.

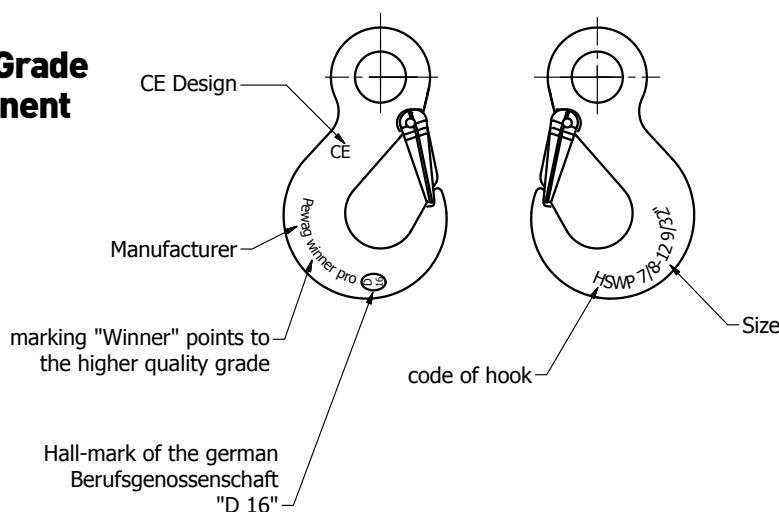
- It's rugged, versatile, high strength and low-weight
- Beaver-Pewag Grade 120 Chain also carries the mark "12" stamped on every link along its entire length for easy identification
- Grade 120 offers + 50% higher WLL and 25% less weight over Grade 80 allowing a downsizing of chains
- The profile of the G120 chain has up to 38% higher resistance compared to regular round-link chains with the same diameter. Therefore, the chain can withstand bending forces better than round-link chains and is well equipped for heavy applications
- G120 has a powder coated finish in blue, which provides easy identification and corrosion protection

Beaver-Pewag Grade 120 Components

Beaver-Pewag Grade 120 Lifting Components offer the ultimate strength to weight ratio for lifting purposes. Each component is sourced from Europe and complies with European Standard EN 1677.

- Beaver-Pewag Grade 120 – please see image 3.1

3.1 Pewag Grade 120 Component markings

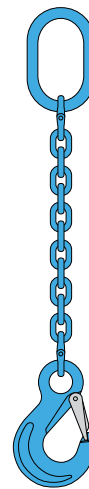


BEAVER GRADE 120 – SINGLE AND DOUBLE LEG CHAIN SLINGS

Beaver Grade 120 Single Leg Sling with Eye Sling Hook

c/w Safety Latch & Shortening Grab Hook– AS 3775.1

Code	Chain Size mm	Effective Length mtr	W.L.L No Deration (kg)
G2-CSA08117535	8	1	3000
G2-CSA08127535	8	2	3000
G2-CSA08137535	8	3	3000
G2-CSA10117535	10	1	5000
G2-CSA10127535	10	2	5000
G2-CSA10137535	10	3	5000
G2-CSA10117545	10	1	3200
G2-CSA10127545	10	2	3200
G2-CSA10137545	10	3	3200



Beaver Grade 120 Double Leg Sling with Eye Sling Hook

c/w Safety Latch & 2 Shortening Grab Hook– AS 3775.1

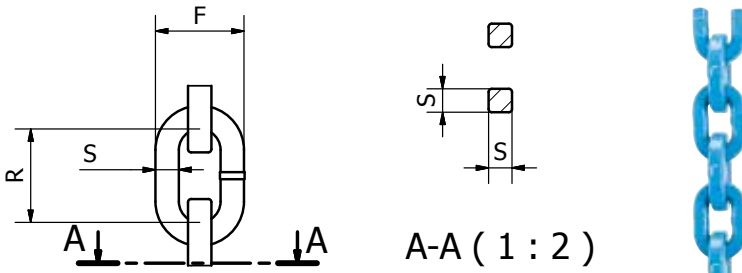
Code	Chain Size mm	Effective Length mtr	W.L.L @ 60° No Deration (kg)
G2-CSA08217535	8	1	5200
G2-CSA08227535	8	2	5200
G2-CSA08237535	8	3	5200
G2-CSA08247535	8	4	5200
G2-CSA08267535	8	6	5200
G2-CSA10217535	10	1	8600
G2-CSA10227535	10	2	8600
G2-CSA10237535	10	3	8600
G2-CSA10247535	10	4	8600
G2-CSA10267535	10	6	8600
G2-CSA13217535	13	1	13800
G2-CSA13227535	13	2	13800
G2-CSA13237535	13	3	13800
G2-CSA13247535	13	4	13800
G2-CSA13227545	13	2	9200
G2-CSA13237545	13	3	9200
G2-CSA13247545	13	4	9200



BEAVER GRADE 120 CHAIN AND COMPONENTS

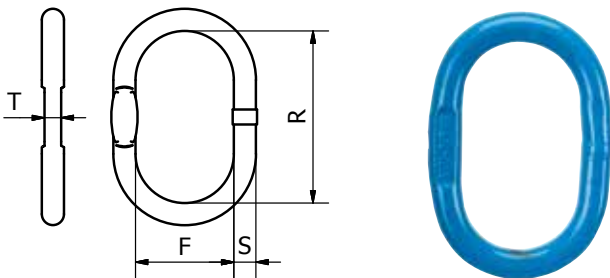
Beaver – Pewag Winner Pro Grade 120 Lifting Chain to EN818-2

Code	W.L.L tonnes	Size mm	S mm	R mm	F mm	Finish	UOM
WIN PRO 8	3.0	8	8	25	29	Powder Coated	Metre
WIN PRO 10	5.0	10	10	33	37	Powder Coated	Metre
WIN PRO 13	8.0	13	13	41	50	Powder Coated	Metre



Beaver – Pewag Winner Pro Grade 120 Recessed Enlarged Master Oblong Link (AWP)

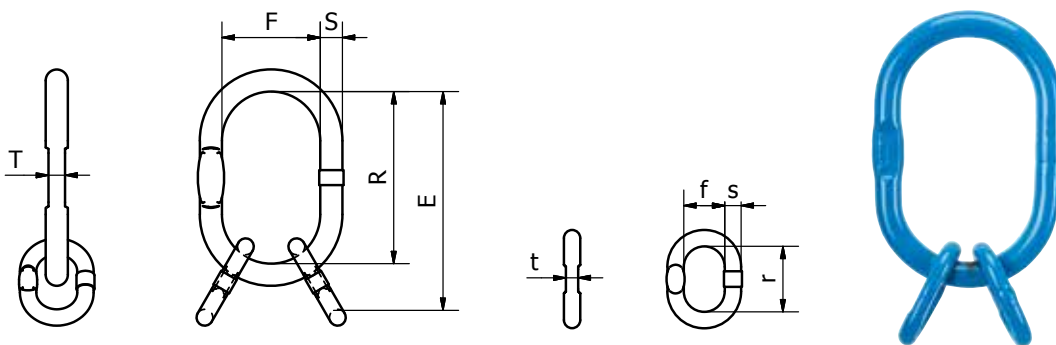
Code	Chain Size mm		W.L.L @60° [Kg]	S mm	R mm	F mm	T mm	Approx Weight [kg]	UOM	Pack Qty
	1 Leg	2 Leg								
AWP 16	8	7	3500	17	110	60	14	0.53	Each	12
AWP 18	10	8	5300	19	135	75	14	0.92	Each	12
AWP 22	13	10	8000	23	160	90	17	1.6	Each	8
AWP 27	-	13	11200	28	200	110	21	2.85	Each	6



BEAVER GRADE 120 CHAIN AND COMPONENTS (CONT'D)

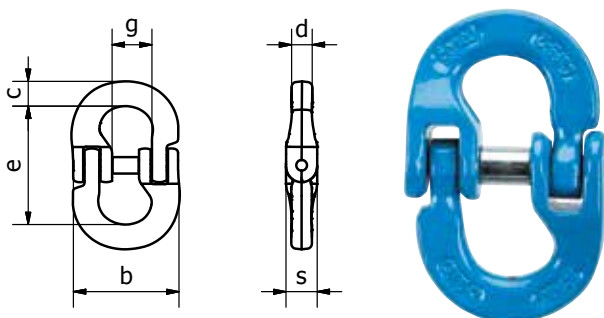
Beaver – Pewag Winner Pro Grade 120 Recessed Enlarged Multi-Leg Master Oblong Link

Code	Chain Size mm		W.L.L @60° (kg)	S mm	R mm	F mm	E mm	T mm	f mm	s mm	r mm	t mm	Approx Weight (kg)	UOM	Pack Qty
	1 Leg	2 Leg													
VMWP 7/8	7+8	-	4250	19	160	95	214	-	25	13	54	-	1.55	Each	4
VMWP 10/7/8	10	7+8	8800	27	190	110	260	-	34	17	70	-	3.37	Each	4
VMWP 13/10	13	10	12300	33	230	130	315	-	40	20	85	-	6	Each	2
VMWP -/13	-	13	21200	38	275	150	415	-	65	27	140	-	11.12	Each	2



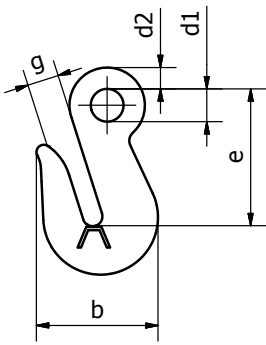
Beaver – Pewag Winner Pro Grade 120 Component Connector (CWP)

Code	Chain Size mm	W.L.L (kg)	e mm	b mm	c mm	g mm	d mm	s mm	Approx Weight (kg)	UOM	Pack Qty
CWP 8	8	3000	62	58	14	21	10	15	0.29	Each	80.00
CWP 10	10	5000	70	66	16	22	13	20	0.33	Each	60.00
CWP 13	13	8000	95	84	21	26	17	24	0.70	Each	40.00



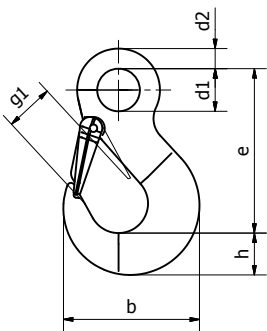
Beaver – Pewag Winner Pro Grade 120 Eye Shortening Grab Hook (PWP)

Code	Chain Size mm	W.L.L (kg)	e mm	d1 mm	d2 mm	b mm	g mm	Approx Weight (kg)	UOM	Pack Qty
PWP 7/8	8	3000	68	25	11	63	10	0.48	Each	36.00
PWP 10	10	5000	88	31	14	81	13	1.03	Each	36.00
PWP 13	13	8000	110	40	18	103	17	2.10	Each	24.00



Beaver – Pewag Winner Pro Grade 120 Eye Sling Hook c/w Safety Latch

Code	Chain Size mm	W.L.L (kg)	e mm	h mm	d1 mm	d2 mm	g1 mm	b mm	Approx Weight (kg)	UOM	Pack Qty	Replacement Latch Kit
HSWP 7/8	7-8	3000	106	27	25	11	26	88	0.50	Each	10	SFGWP7/8
HSWP 10	10	5000	131	33	34	16	31	108	1.10	Each	5	SFGWP10
HSWP 13	13	8000	164	43	43	19	39	132	2.20	Each	5	SFGWP13





GRADE 50 LIFTING CHAIN AND COMPONENTS

BEAVER-PEWAG INOX GRADE 50 STAINLESS STEEL LIFTING CHAIN AND COMPONENTS

Beaver-Pewag Inox Grade 50 Stainless Steel Lifting Chain

Beaver-Pewag Inox Grade 50 Stainless Steel Lifting Chain is manufactured from Grade 316 stainless steel and is tested in accordance with Australian Standard AS 4797. It's high corrosive properties make it ideal for lifting in environments such as water treatment plants, waste management and food processing.

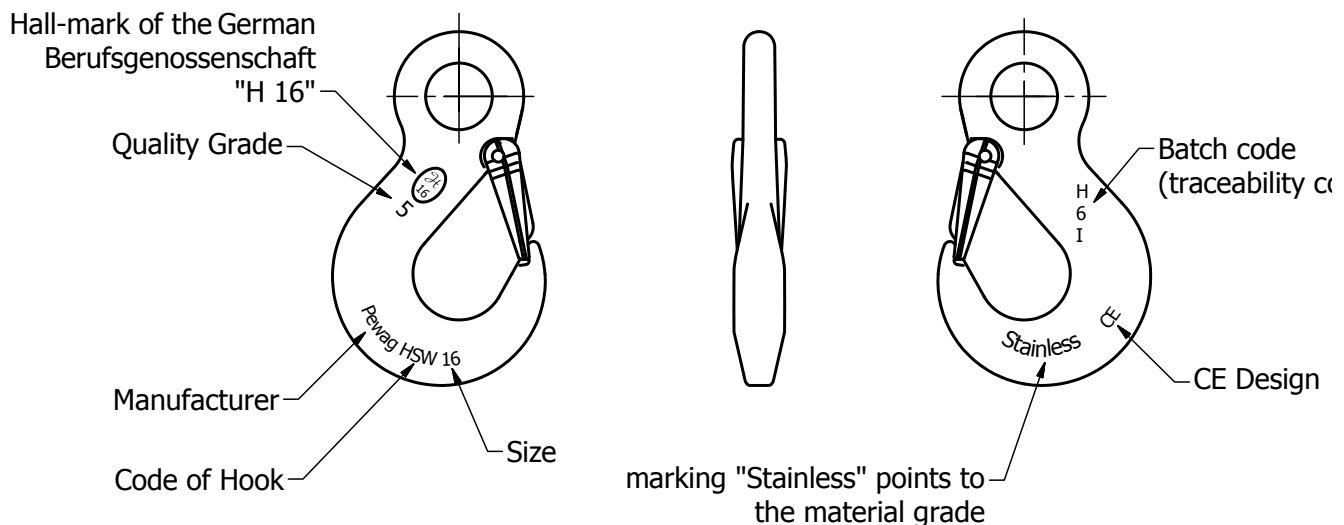
- Beaver-Pewag Inox Grade 50 Chain carries the mark "PWG5", stamped on every link along its entire length for easy identification

Beaver-Pewag Inox Grade 50 Stainless Steel Lifting Components

Beaver-Pewag Inox Grade 50 Stainless Steel Lifting Components are also manufactured from Grade 316 stainless steel and is tested in accordance with Australian Standard AS 4797. It is ideal for lifting in environments such as water treatment plants, waste management and food processing.

- Beaver-Pewag Inox Grade components – see image 4.1

4.1 Pewag Grade 50 Component markings



BEAVER GRADE 50 STAINLESS STEEL - SINGLE AND DOUBLE LEG CHAIN SLINGS

Beaver Grade 50 Single Leg Sling with Eye Sling Hook

c/w Safety Latch & Shortening Grab Hook- AS 3775.1

Code	Chain Size mm	Effective Length mtr	W.L.L No Deration (Kg)
G5-CSA07117535	7	1	1000
G5-CSA07127535	7	2	1000
G5-CSA07137535	7	3	1000
G5-CSA10117535	10	1	2000
G5-CSA10127535	10	2	2000
G5-CSA10137535	10	3	2000



Beaver Grade 50 Double Leg Sling with Eye Sling Hook

c/w Safety Latch & Shortening Grab Hook- AS 3775.1

Code	Chain Size mm	Effective Length mtr	W.L.L @ 60° No Deration (Kg)
G5-CSA07217535	7	1	1700
G5-CSA07227535	7	2	1700
G5-CSA07237535	7	3	1700
G5-CSA10217535	10	1	3400
G5-CSA10227535	10	2	3400
G5-CSA10237535	10	3	3400
G5-CSA10247535	10	4	3400
G5-CSA10267535	10	6	3400
G5-CSA13217535	13	1	5440
G5-CSA13227535	13	2	5440
G5-CSA13237535	13	3	5440
G5-CSA13247535	13	4	5440

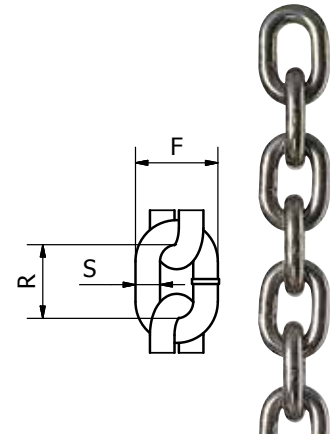


BEAVER GRADE 50 CHAIN AND COMPONENTS

Beaver Grade 50 Stainless Steel Lifting Chain G316

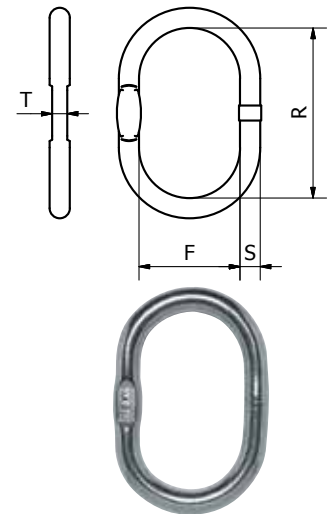
Safety Factor 4:1 to AS 4797

Code	W.L.L (kg)	Size mm	S mm	R mm	F mm	Finish	Weight kg/m	UOM	Metres per 100 kg
WOX5	500	5	5	16	17.5	Stainless Steel	0.56	Metre	178
WOX7	1000	7	7	21	23.53	Stainless Steel	1.1	Metre	90
WOX10	2000	10	10	30	33.5	Stainless Steel	2.2	Metre	45
WOX13	3200	13	13	39	43.5	Stainless Steel	3.8	Metre	26
WOX16	5000	16	16	48	53.5	Stainless Steel	5.7	Metre	17



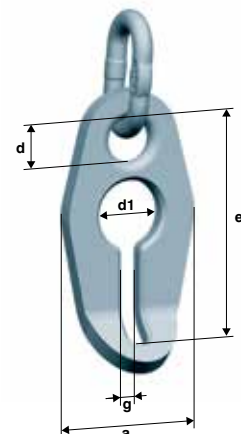
Beaver Stainless Steel Master Link Grade 50 G316

Code	Chain Size mm		W.L.L (kg)	S mm	R mm	F mm	T mm	Approx Weight (kg)	UOM	Pack Qty
	1 Leg	2 Leg								
AWI10	5	5	700	10	80	50	-	0.14	Each	20
AWI13	7	-	1050	13	110	60	10	0.34	Each	20
AWI16	-	7	1400	16.5	110	60	14	0.53	Each	20
AWI18	10	-	2000	18.5	135	75	14	0.92	Each	20
AWI22	13	10	3200	23	160	90	17	1.6	Each	5
AWI26	16	13	5000	27	180	100	20	2.46	Each	5
AWI32	-	16	7100	33	200	110	26	4.14	Each	5



Beaver-Pewag Inox Stainless Steel Grade 50 VLWI Shortener

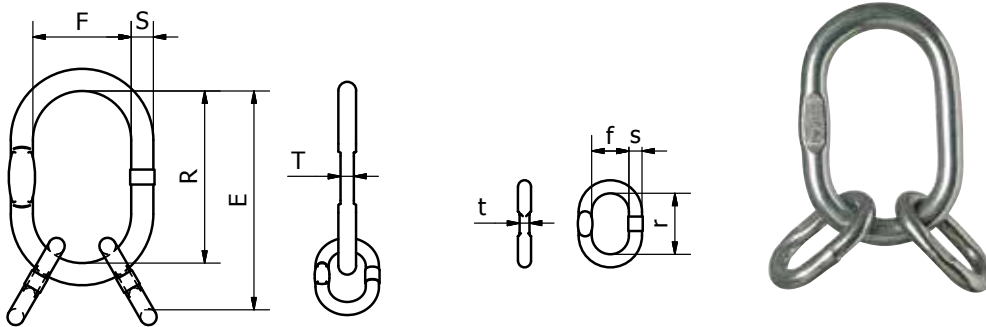
Code	W.L.L (kg)	e mm	a mm	d mm	d1 mm	g mm	Weight kg
VLWI 5/6	750	80	52	16	26	8	0.18
VLWI 7/8	1250	111	68	22	34	11	0.47
VLWI 10	2000	133	86	27	40	12	0.87
VLWI 13	3200	169	108	32	52	16	1.85
VLWI 16	5000	204	134	38	64	20	3.40



BEAVER GRADE 50 CHAIN AND COMPONENTS (CONT'D)

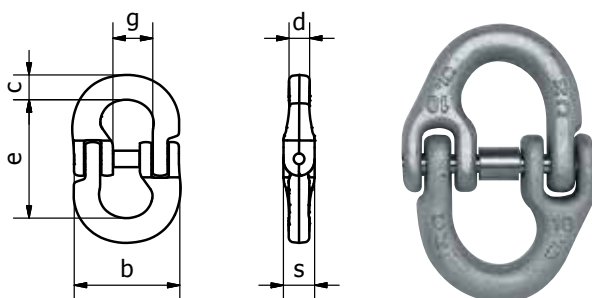
Beaver Stainless Steel Multi Link Assembly Grade 50 G316

Code	Chain Size mm	W.L.L (kg)	S mm	E mm	R mm	F mm	T mm	s mm	r mm	f mm	t mm	Approx Weight (kg)	UOM	Pack Qty
VWI5	5	1050	13	154	110	60	10	10	44	20	-	0.52	Each	10
VWI7	7	3200	23	230	160	90	17	16	70	34	14	2.32	Each	10
VWI10	10	5000	27	265	180	100	20	20	85	40	-	3.68	Each	10
VWI13	13	7100	33	315	200	110	26	23	115	50	17	6.46	Each	5
VWI16	16	10500	36	400	260	140	29	27	140	65	20	10.06	Each	5



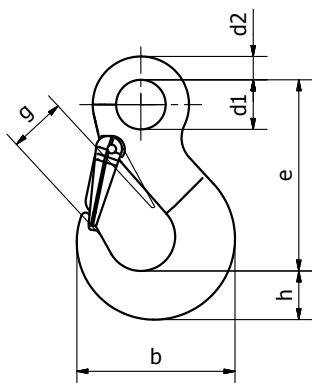
Beaver Stainless Steel Connecting Link Grade 50 G316

Code	Chain Size mm	W.L.L (kg)	e mm	c mm	b mm	g mm	s mm	d mm	Approx Weight (kg)	UOM	Pack Qty	Replacement Pin
CWI5	5	500	36	7	34.4	12.7	9.5	7	0.05	Each	50	CBHWI5
CWI7	7	1000	54	9	50.8	16.6	13	9	0.12	Each	50	CBHWI7
CWI10	10	2000	73	13	69.8	24.6	18	13	0.33	Each	50	CBHWI10
CWI13	13	3200	92	17	85.4	28.6	23	17	0.7	Each	20	CBHWI13
CWI16	16	5000	104	21	105.3	36.5	28	21	1.22	Each	20	CBHWI16



Beaver Stainless Steel Eye Sling Hook c/w Safety Latch Grade 50

Code	Chain Size mm	W.L.L (kg)	e mm	h mm	d1 mm	d2 mm	b mm	g mm	Approx Weight (kg)	UOM	Pack Qty	Replacement Pin
HSK5	5	500	80	20	21	8	66	22	0.25	Each	1	SFGWI5
HSK7	7	1000	104	28	24	11	90	29	0.6	Each	1	SFGWI7
HSK10	10	2000	125	33	31	14	108	35	1.2	Each	1	SFGWI10
HSK13	13	3200	155	43	39	17	134	43	2.1	Each	1	SFGWI13
HSK16	16	4500	175	47.4	47	22	152.5	48	3	Each	1	SFGWI16



Beaver-Pewag IDWOX Identification Tag

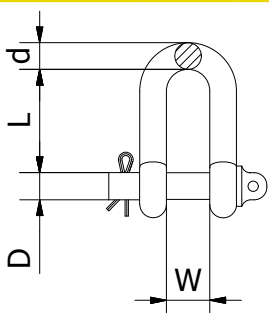
Code	UOM	Pack Qty
IDWOX	Each	50



Beaver-Pewag Grade '50' Screw Pin Shackles

Chain Dee Type

Code	Size mm	W.L.L (kg)	Type	Shape	Closing Method	DIA d	D mm	W mm	L mm	F mm	Approx Weight (kg)	UOM	Pack Qty
SMSWI4/5	8x9	500	Grade 50	Dee	Screw Pin	8	9	17	22	18	0.07	Each	30
SMSWI6/7/8	12x13	1250	Grade 50	Dee	Screw Pin	12	13	25	40	25	0.22	Each	30
SMSWI10	16x17	2000	Grade 50	Dee	Screw Pin	16	17	32	60	32	0.52	Each	30
SMSWI13	13x16	3200	Grade 50	Dee	Screw Pin	13	16	25	50	32	0.35	Each	10
SMSWI16	16x19	5000	Grade 50	Dee	Screw Pin	16	19	32	64	38	0.55	Each	10





PRODUCT REFERENCE GUIDE

Part Number	Page Number
148006	10
148007	10
148008	10
148010	10
148013	10
148016	10
148020	10
148022	10
148026	10
148032	10
882007	12
882010	12
882013	12
882016	12
883707	11
883708	11
883710	11
883713	11
883716	11
883720	11
883722	11
883726	11
883732	11
884507	13
884510	13
884513	13
885106	15
885107	15
885110	15
885113	15
885116	15
885120	15
885122	15

Part Number	Page Number
885306	16
885307	16
885310	16
885313	16
885316	16
885320	16
885322	16
885326	16
885332	16
885407	18
885410	18
885413	18
885416	18
885607	17
885610	17
885613	17
885616	17
885620	17
885622	17
885806	16
885807	16
885810	16
885813	16
885816	16
885820	16
885822	16
885826	16
885832	16
886206	14
886207	14
886210	14
886213	14
886216	14

Part Number	Page Number
886220	14
886222	14
886507	18
886510	18
886513	18
886516	18
886520	18
886606	18
886607	18
886610	18
886613	18
886616	18
886620	18
886708	20
886710	20
888807	19
888810	19
888813	19
896701	20
896703	20
896705	20
896708	20
896710	20
883508A	10
883510A	10
883513A	10
883516A	10
883520A	10
883522A	10
883526A	10
883532A	10
883536A	10
884510SY	13

Part Number	Page Number
884513SY	13
884516SY	13
885706Y	17
885707Y	17
885710Y	17
885713Y	17
885716Y	17
885720Y	17
885722Y	17
885726Y	17
885732Y	17
886213S	14
886216S	14
886406Y	15
886407Y	15
886410Y	15
886413Y	15
886416Y	15
886420Y	15
886422Y	15
886426Y	15
886701A	20
886703A	20
886705A	20
886845L	19
886845R	19
AW16	27
AW18	27
AW22	27
AW26	27
AW32	27
AW36	27
AW45	27

LIFTING CHAIN AND COMPONENTS

SECTION 2

Part Number	Page Number
AW50	27
AW56	27
AW76	27
AWI10	51
AWI13	51
AWI16	51
AWI18	51
AWI22	51
AWI26	51
AWI32	51
AWP 16	45
AWP 18	45
AWP 22	45
AWP 27	45
BALPV015	40
BALPV025	40
BALPV040	40
BALPV067	40
BALPV100	40
BALPV160	40
BRLP- ½UNC	41
BRLP-1⅝UNC	41
BRLP-M12	41
BRLP-M16	41
BRLP-M20	41
BRLP-M24	41
BRLP-M30	41
BRLP-M36	41
BRLP-M42	41
C6	12
C7	12
C8	12
C10	12

Part Number	Page Number
C13	12
C16	12
C20	12
C22	12
C26	12
C32	12
CARW8	30
CARW10	30
CARW13	30
CARW16	30
CARW22	30
CMLD22	35
CMLD26	35
CMLD32	35
CMLD40	35
CSA07117525	8
CSA07117545	9
CSA07127525	8
CSA07127545	9
CSA07137525	8
CSA07137545	9
CSA07217525	8
CSA07217545	9
CSA07227525	8
CSA07227545	9
CSA07237525	8
CSA07237545	9
CSA08117525	8
CSA08117545	9
CSA08127525	8
CSA08127545	9
CSA08137525	8
CSA08137545	9

Part Number	Page Number
CSA08217525	8
CSA08217545	9
CSA08227525	8
CSA08227545	9
CSA08237525	8
CSA08237545	9
CSA08247525	8
CSA08247545	9
CSA08267525	8
CSA08267545	9
CSA10117525	8
CSA10117545	9
CSA10127525	8
CSA10127545	9
CSA10137525	8
CSA10137545	9
CSA10217525	8
CSA10217545	9
CSA10227525	8
CSA10227545	9
CSA10237525	8
CSA10237545	9
CSA10247525	8
CSA10247545	9
CSA10267525	8
CSA10267545	9
CSA13217525	8
CSA13217545	9
CSA13227525	8
CSA13227545	9
CSA13237525	8
CSA13237545	9
CSA13247525	8

Part Number	Page Number
CSA13247545	9
CW6	29
CW8	29
CW10	29
CW13	29
CW16	29
CW20	29
CW22	29
CW26	29
CW32	29
CWI5	52
CWI7	52
CWI10	52
CWI13	52
CWI16	52
CWP 8	46
CWP 10	46
CWP 13	46
D38	35
D45	35
DL22	36
DL26	36
DL32	36
DL38	36
DL50	36
DL56	36
E14	35
E16	35
E20	35
E22	35
E26	35
E50	35
FW10	34



PRODUCT REFERENCE GUIDE

Part Number	Page Number	Part Number	Page Number	Part Number	Page Number	Part Number	Page Number
FW13	34	G1-CSA10267525	24	G5-CSA07217535	50	HSW10	33
FW16	34	G1-CSA10267545	25	G5-CSA07227535	50	HSW13	33
FW20	34	G1-CSA13217525	24	G5-CSA07237535	50	HSW16	33
G1-CSA08117525	24	G1-CSA13217545	25	G5-CSA10117535	50	HSW20	33
G1-CSA08117545	25	G1-CSA13227525	24	G5-CSA10127535	50	HSW22	33
G1-CSA08127525	24	G1-CSA13227545	25	G5-CSA10137535	50	HSW26	33
G1-CSA08127545	25	G1-CSA13237525	24	G5-CSA10217535	50	HSW32	33
G1-CSA08137525	24	G1-CSA13237545	25	G5-CSA10227535	50	HSWP 7/8	47
G1-CSA08137545	25	G1-CSA13247525	24	G5-CSA10237535	50	HSWP 10	47
G1-CSA08217525	24	G1-CSA13247545	25	G5-CSA10247535	50	HSWP 13	47
G1-CSA08217545	25	G2-CSA08117535	44	G5-CSA10267535	50	IDWOX	53
G1-CSA08227525	24	G2-CSA08127535	44	G5-CSA13217535	50	KHSW6	31
G1-CSA08227545	25	G2-CSA08137535	44	G5-CSA13227535	50	KHSW8	31
G1-CSA08237525	24	G2-CSA08217535	44	G5-CSA13237535	50	KHSW10	31
G1-CSA08237545	25	G2-CSA08227535	44	G5-CSA13247535	50	KHSW13	31
G1-CSA08247525	24	G2-CSA08237535	44	GSC8	36	KHSW16	31
G1-CSA08247545	25	G2-CSA08247535	44	GSC10	36	KHSW20	31
G1-CSA08267525	24	G2-CSA08267535	44	GSC13	36	KHSW22	31
G1-CSA08267545	25	G2-CSA10117535	44	GSC16	36	KLHW8	31
G1-CSA10117525	24	G2-CSA10127535	44	GSC19-20	36	KLHW10	31
G1-CSA10117545	25	G2-CSA10137535	44	GSC22	36	KLHW13	31
G1-CSA10127525	24	G2-CSA10217535	44	GSE7-8	39	KLHW16	31
G1-CSA10127545	25	G2-CSA10227535	44	GSE10	39	KLHW19-20	31
G1-CSA10137525	24	G2-CSA10237535	44	GSE13	39	KLHW22	31
G1-CSA10137545	25	G2-CSA10247535	44	GSE16	39	KLHW26	31
G1-CSA10217525	24	G2-CSA10267535	44	GSE19-20	39	KPW8	30
G1-CSA10217545	25	G2-CSA13217535	44	GSE22	39	KPW10	30
G1-CSA10227525	24	G2-CSA13227535	44	HSK10	53	KPW13	30
G1-CSA10227545	25	G2-CSA13237535	44	HSK13	53	KPW16	30
G1-CSA10237525	24	G2-CSA13247535	44	HSK16	53	KPW20	30
G1-CSA10237545	25	G5-CSA07117535	50	HSK5	53	KPW22	30
G1-CSA10247525	24	G5-CSA07127535	50	HSK7	53	LHW7-8	33
G1-CSA10247545	25	G5-CSA07137535	50	HSW8	33	LHW10	33

LIFTING CHAIN AND COMPONENTS

SECTION 2

Part Number	Page Number
LHW13	33
LHW16	33
LHW19-20	33
LHW22	33
MW10	26
MW13	26
MW16	26
MW18	26
MW22	26
MW26	26
MW32	26
MW36	26
MW56	26
PSW7-8	32
PSW10	32
PSW13	32
PSW16	32
PW8	32
PW10	32
PW13	32
PW16	32
PW20	32
PW22	32
PW26	32
PW32	32
PWP 7/8	47
PWP 10	47
PWP 13	47
SHC8	38
SHC10	38
SHC13	38
SHC16	38
SHC19-20	38

Part Number	Page Number
SHC22	38
SHE8	40
SHE10	40
SHE13	40
SHE16	40
SHE20	40
SHE22	40
SKC7-8	38
SKC10	38
SKC13	38
SKC16	38
SKE8	39
SKE10	39
SKE13	39
SKE16	39
SMSWI4/5	53
SMSWI6/7/8	53
SMSWI10	53
SMSWI13	53
SMSWI16	53
VIS8	34
VIS10	34
VIS13	34
VIS16	34
VIS20	34
VIS22	34
VLW2-8	27
VLW2-10	27
VLW2-13	27
VLW2-16	27
VLWI 5/6	51
VLWI 7/8	51
VLWI 10	51

Part Number	Page Number
VLWI 13	51
VLWI 16	51
VMW7-8	29
VMW10	29
VMW13	29
VMW16	29
VMW20	29
VMW22	29
VMWP 7/8	46
VMWP -/13	46
VMWP 10/7/8	46
VMWP 13/10	46
VW7-8	28
VW10	28
VW13	28
VW16	28
VW20	28
VW22	28
VW26	28
VW32	28
VWI10	52
VWI13	52
VWI16	52
VWI5	52
VWI7	52
WIN PRO 8	45
WIN PRO 10	45
WIN PRO 13	45
WIN6	26
WIN8	26
WIN10	26
WIN13	26
WIN16	26

Part Number	Page Number
WIN20	26
WIN22	26
WIN26	26
WIN32	26
WLHBW6	34
WLHBW10	34
WLHBW13	34
WLHBW16	34
WLHBW7/8	34
WLK8	36
WLK10	36
WLK13	36
WLK16	36
WLK19-20	36
WLK22	36
WLK26	36
WLK32	36
WOX5	51
WOX7	51
WOX10	51
WOX13	51
WOX16	51



NOTES

LIFTING CHAIN AND COMPONENTS

SECTION 2



**NATIONAL HEAD OFFICE
NEW SOUTH WALES**

Email: sydneysales@beaver.com.au
National Sales: 1300 783 606
Phone: (02) 8882 5700
Fax: (02) 8882 5899

55 Sarah Andrews Close
Erskine Park NSW 2759
PO Box 5001
St Clair NSW 2759

WESTERN AUSTRALIA

Email: perthsales@beaver.com.au
Ph: (02) 8882 5700

VICTORIA/ TASMANIA

Email: melbournesales@beaver.com.au
Ph: (02) 8882 5700

**SOUTH AUSTRALIA/
NORTHERN TERRITORY**

Email: adelaidesales@beaver.com.au
Ph: (08) 8244 3555
Fax: (08) 8244 3533

QUEENSLAND

Email: brisbanesales@beaver.com.au
Ph: (07) 3279 1100
Fax: (07) 3279 1381

www.beaver.com.au