



LIGHTPLANE 2R

LP2R | RECESSED

STANDARD SIZES

2" Aperture
Configurable in linear shapes and straight run sections
Compatible with Drywall, T-Grid, Slot, and Armstrong® Techzone

LAMPING

LED - 80/90 CRI - 2700K/3000K/3500K/4000K
Output Options: LOW/MED/HI/DECOR/Tunable White/RGB/RGB+W
Dimming down to 0%

FINISH

18 standard finishes available at no extra charge
RAL classic colors, TCI / Tiger Drylac catalog colors, and custom color match also available

CONSTRUCTION

Industrial Strength Extruded 6061 Aluminum





PRODUCT SUBMITTAL WORKSHEET

SAMPLE PRODUCT CODE

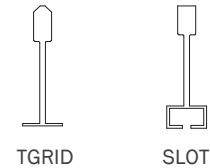
LP2RT – DRY – SQ5 – HI/90/3500 – 0/10V/1% – EXT/F – AL – UNV – EMC/1 – PH/3

1. BASE MODEL (CHOOSE ONE)

- LP2RT** **QS** 2" Recessed – Trimmed
- LP2RMUD** **QS** 2" Recessed – Trimless (for Mud-In Installation into Drywall Only)

2. CEILING TYPE (CHOOSE ONE – ADDITIONAL CEILING TYPES MAY BE AVAILABLE, CONSULT ALW)

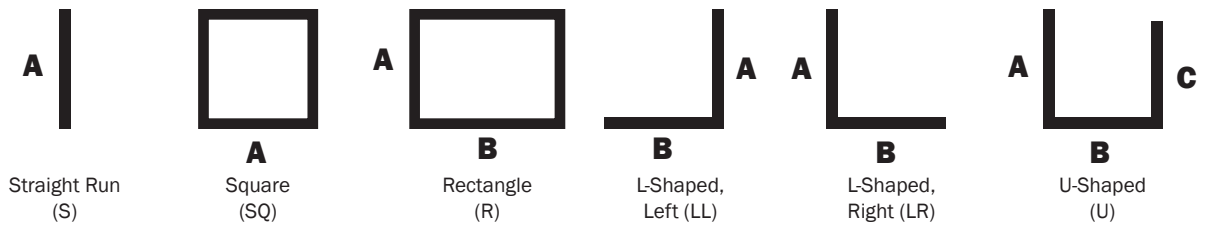
- DRY** **QS** Drywall
- TGRID** **QS** T-Grid
- SLOT** **QS** Slot
- ATZ/TGRID** **QS** Armstrong® Techzone T-Grid



3. SHAPE/LENGTH (CHOOSE ONE & INDICATE LENGTH IN FEET – FOR CUSTOM ANGLES, CONTACT ALW)

- S__** **QS** Individual/Straight Run Section (enter length, ex. S5)
- SQ__** **QS** Square Configuration (enter side length A, ex: SQ5)
- R_ _** **QS** Rectangular Configuration (enter side lengths A and B, ex. R5-7)
- LL_ _** **QS** L-Shaped, Left Configuration (enter side lengths A and B, ex. LL5-7)
- LR_ _** **QS** L-Shaped, Right Configuration (enter side lengths A and B, ex. LR5-7)
- U_ _ _** **QS** U-Shaped Configuration (enter side lengths A, B, and C, ex. U5-7-4)

*Lengths are nominal and may vary based on lamping and other specification selections. Consult ALW when exact lengths are required.
 *Shape orientation (Looking from the Ceiling down to the floor).



QS = QuickShip-qualifying option. For the entire luminaire configuration to be QuickShip-eligible, ALL options specified in the configuration must be ones notated with "QS". NOTE: Maximum 800 ft. of QuickShip-eligible product per order.

SS010820-A.0



4. LED LAMPING (CHOOSE ONE UNDER A, B, & C, AS NECESSARY)

A. OUTPUT

- QS LOW**
- QS MED**
- QS HI**
- DECOR**
- TUNE** (2700K-6500K, 80CRI)
- RGB**
- RGBW** (White Chip: 3500K, 80CRI)

B. CRI¹

- QS 80**
- 90**

C. CCT²

- 2700K** (90 CRI Only)
- QS 3000K**
- QS 3500K**
- QS 4000K**

DELIVERED LUMENS (LM/FT)	WATTS (W/FT)	EFFICACY (LM/W)
See page 6 for complete details.		Up to 99 lm/W

¹CRI not applicable for DECOR, TUNE, RGB, or RGBW lamping.

²CCT not applicable for TUNE, RGB, or RGBW lamping.

5. DRIVER³ — DIRECT (CHOOSE ONE .STD, DECOR, TUNE & RGB(W) TABLE INDICATES COMPATIBLE LED LAMPING)

	STD ⁴	DECOR	TUNE	RGB(W)	
<input type="checkbox"/> 0/10V/S	QS ●	●	●	●	0-10V dimming down to 5% (Standard Dimming – Down to 10% for DECOR and TUNE lamping)
<input type="checkbox"/> 0/10V/1%	QS ●	●	●	●	0-10V dimming down to 1%
<input type="checkbox"/> 0/10V/0%	●	●	●	●	0-10V premium dimming down to 0%
<input type="checkbox"/> ECOSYS1	QS ●	●	●	●	(LDE1) Lutron Hi-lume 1% EcoSystem LED driver with Soft-on, Fade-to-Black dimming technology
<input type="checkbox"/> ECOSYS5	●	●	●	●	(LDE5) Lutron 5-Series Ecosystem LED driver (Dims to 5%)
<input type="checkbox"/> TSERIES⁵	●	●	●	●	Lutron T-Series Tunable White Class 2 LED Driver (For use with Lutron Quantum Control Systems)
<input type="checkbox"/> DALI	●	●	●	●	DALI flicker-free dimming down to 0% (Down to 1% for Lutron Vive Lighting Control System)
<input type="checkbox"/> DMX	●	●	●	●	DMX flicker-free dimming down to 0%

³Driver specifications provided upon request.

⁴Lutron Vive Control Systems is compatible only with STD lamping. See more information for compatible Driver under 'Sensor Options'.

⁵For use with TUNE Lamping. Lutron T-Series Driver is not compatible with Lutron Vive Lighting Control System.

6. LENS

- EXT/F** QS Extra diffuse, flush

QS = QuickShip-qualifying option. For the entire luminaire configuration to be QuickShip-eligible, ALL options specified in the configuration must be ones notated with "QS". NOTE: Maximum 800 ft. of QuickShip-eligible product per order.




7. FINISH (CHOOSE ONE. SEE PAGE 7 FOR LARGER SWATCHES AND ADDITIONAL INFORMATION)

STANDARD FINISHES

ALUMINUM

- AL** **QS** Anodized Aluminum

BASIC POWDER COAT

- GW** Gloss White
 SW **QS** Satin White
 AW  Antimicrobial Satin White
 TW Textured Matte White
 TB Textured Matte Black

METALLIC POWDER COAT

- SG** Silver Gray
 CG Charcoal Gray
 CU Copper
 BR Brass




SATIN ANODIZED EFFECT POWDER COAT

- CS** Clear Silver
 OB Oil-Rubbed Bronze
 DB Dark Bronze
 SB **QS** Satin Black

GLOSS POWDER COAT (80-95% GLOSS)

- GO** Orange (RAL 2003)
 GR Red (RAL 3020)
 GM Magenta (RAL 4010)
 GB Blue (RAL 5015)

SPECIAL ORDER FINISHES

- RAL**_____  Specify RAL Classic Color (Ex: RAL 3003) - Most RAL Colors are available for powder coat. See www.alwusa.com/finishes
 CAT_____  Specify Catalog Colors - Specify colors from the [Tiger Drylac](#) and [TCI](#) catalogs
 CCM_____  Custom Color Match - Specify a custom powder coat color match

8. VOLTAGE (CHOOSE ONE)

- UNV** **QS** Universal Voltage (120VAC-277VAC)
 347 347 Volt (Driver options may be limited. Not available with EMB)

9. ADDITIONAL OPTIONS (OPTIONAL — CHOOSE ONE UNDER A & B, IF DESIRED)

A. EMERGENCY OPTIONS

- EMB/___**⁶ **QS** Emergency Battery (indicate QTY — each battery powers 4ft. section @ 1492lm. Not available in 347V)
 EMC/___⁶ **QS** Emergency Circuit (indicate QTY of 4ft sections to be illuminated by emergency circuit)

⁶For fixtures under 4ft in length, entire fixture will be illuminated with a proportional lumen output. Consult ALW for more details.

B. SENSOR OPTIONS (DEFAULT QUANTITY IS 1 SENSOR PER 8FT, INDICATE ALTERNATE QUANTITY IF DESIRED)

- VR/___**⁷ Lutron® Vive integral RF wireless fixture control (Lutron Part: DFCSJ-OEM-RF)
 VDO/___⁷ Lutron® Vive integral RF wireless fixture control + daylight/occ sensor (Lutron Part: DFCSJ-OEM-OCC)
 FCJS/___⁸ Lutron® Vive remote RF wireless fixture control (Lutron Part: FCJS-ECO or FCJS-010)
 FCJS/S/___⁸ Lutron® Vive remote RF wireless fixture control + daylight/occ sensor (Lutron Part: FCJS-ECO or FCJS-010, & FC-Sensor)
 ENLGH/___⁹ **QS** Enlighted® remote connected lighting smart sensor (Enlighted Part: SU-5S-H) (occupancy, daylight, networking, and more)
 ENLGH/INT/___⁹ **QS** Enlighted® integral connected lighting smart sensor (Enlighted Part: SU-5E) (occupancy, daylight, networking, and more)
 OS/___ 0-10V integral occupancy sensor
 PH/___ 0-10V integral photocell/daylight sensor

⁷Lutron® Vive integral sensors are compatible with the following drivers: DALI driver or ECOSYS. Vive Sensors are not compatible with the Lutron T-Series Tunable White Driver. Programming required by Lutron Commissioner.

⁸Lutron® Vive remote sensors are compatible with the following drivers: 0/10V/S, 0/10V/1, 0/10V/0 driver or ECOSYS. Vive Sensors are not compatible with the Lutron T-Series Tunable White Driver. Programming required by Lutron Commissioner.

⁹Enlighted® sensors are compatible with the following drivers: 0/10V/S, 0/10V/1, 0/10V/0. Programming required by Enlighted Commissioner. Additional Enlighted sensor families included IoT Sensors and Enlighted One Sensors are also available as a custom order but not available as a QuickShip option. Contact Customer Support for more information.

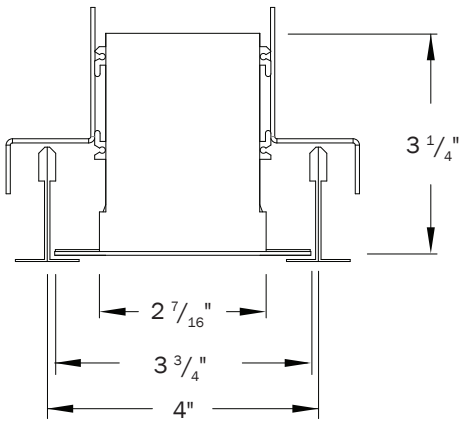
QS = QuickShip-qualifying option. For the entire luminaire configuration to be QuickShip-eligible, ALL options specified in the configuration must be ones notated with "QS". NOTE: Maximum 800 ft. of QuickShip-eligible product per order.

SS010820-A.0

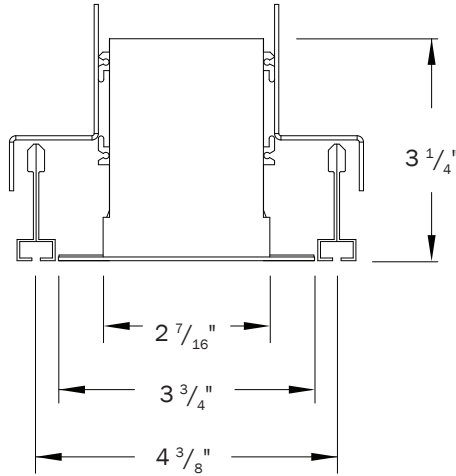


MECHANICAL DIAGRAMS – DIMENSIONS

TILE CEILING

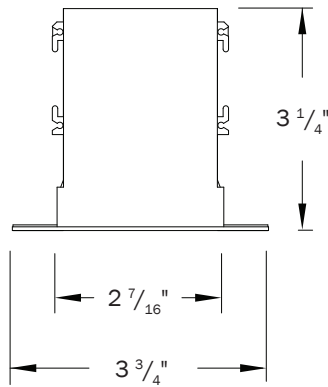


LP2RT
TGRID & ATZ/TGRID

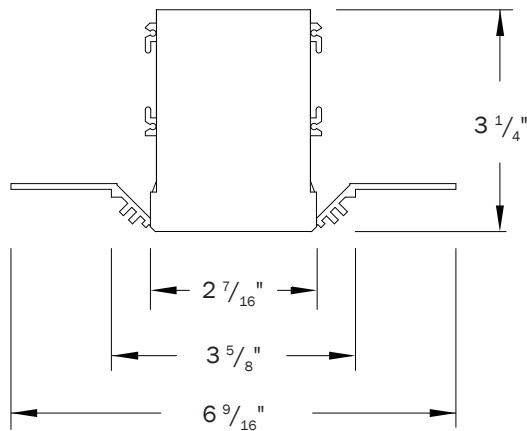


LP2RT
SLOT

DRYWALL



LP2RT
DRY



LP2RMUD
DRY



PERFORMANCE DETAILS – LED LAMPING

OUTPUT	DELIVERED LUMENS (LM/FT)	WATTS (W/FT)	EFFICACY (LM/W)	CRI OPTIONS	CCT OPTIONS
LOW¹⁰	525	5.3	Up to ~99	80 90	2700K (90CRI Only) 3000K 3500K 4000K
MED¹⁰	700	7.2			
HI¹⁰	900	9.1			
DECOR	240	5.9	41	N/A	3000K 3500K 4000K
TUNE	WW: 358 CW: 394 Total: 752	8.8	Up to ~90		2700K-6500K
RGB¹¹	RGB: 105	4.4	N/A		N/A
RGBW¹²	RGB: 105 RGB+W: 193 White Only: 88	4.4		80 (White Chip)	3500K (White Chip)

¹⁰Performance calculations are based on the following LM-79 test: 4000K, 80CRI, HIGH output. MED and LOW values are extrapolated distributions..

¹¹Performance calculations are derived from LM-79 test with all RGB LEDs illuminated (Red, Green, Blue).

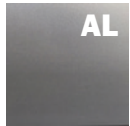
¹²Performance calculations are derived from the following LM-79 tests: 1) RGB LEDs illuminated, 2) RGB+W LEDs illuminated, 3) White LED only illuminated.



STANDARD FINISHES

Standard finishes are available at no additional charge.

ALUMINUM



Anodized Aluminum
QS

BASIC POWDER COAT



Gloss White

Satin White
QS

Antimicrobial Satin White

Textured Matte White

Textured Matte Black

METALLIC POWDER COAT



Silver Gray

Charcoal Gray

Copper

Brass

SATIN ANODIZED EFFECT POWDER COAT



Clear Silver

Oil-Rubbed Bronze

Dark Bronze

Satin Black
QS

GLOSS POWDER COAT (80-95% GLOSS)



Orange
RAL 2003

Red
RAL 3020

Magenta
RAL 4010

Blue
RAL 5015

SPECIAL ORDER FINISHES*



RAL CLASSIC COLORS (80-95% GLOSS): RAL_ _ _ _

Most RAL Classic Colors are available for a minimum setup fee. On your specification submittal choose your RAL color by entering the 4-digit RAL code (Ex: RAL 3003). See www.alwusa.com/finishes



CUSTOM COLOR MATCH: CCM_ _ _ _

Custom powder coat color matching is available for a premium setup fee. Consult ALW for additional information.



CATALOG COLORS: CAT_ _ _ _

The complete range of powder coat colors from [Tiger Drylac](#) and [TCI](#) catalogs are available for a minimum setup fee. Consult ALW for a catalog color you would like to specify.

*An individual setup fee will apply to each unique Special Order Finish per purchase order.
(ex: RAL 5023 and RAL 2008 are specified for multiple line items on a purchase order. 2x setup fees will apply)



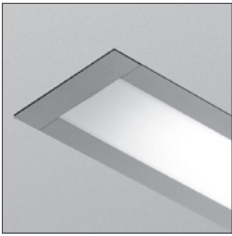
ADDITIONAL OPTIONS & SPECIFICATIONS

ELECTRICAL PERFORMANCE

LED drivers are Class 2, $L_{70} > 54,000$ hours.
80+ CRI. Luminous flux +/- 5%.

LENS OPTIONS

Extruded, twin-layered, high-impact acrylic. EXT is white and extra diffuse with minimal- to no-source visibility.



FLUSH LENS

HOUSING

100% recyclable, extruded architectural grade 6061 aluminum with a 0.08" minimum wall thickness.

SAFETY & REGULATORY

ETL Listed (U.S. & Canada). Suitable for dry or damp locations.
Conforms to UL std. 1598, Luminaires.
Certified to CSA std. C22.2#250.0:2008 Ed. 3+G1;G2.
For 347V models:
Conforms to UL std. 2108, Low Voltage Luminaires / Low Voltage Lighting Systems
Certified to CSA std. C22.2#250.0:2008 Ed. 3+G1;G2.
Recessed models are Type IC Rated and suitable for installation with direct contact to building insulation.

OPERATING CONDITIONS

Luminaire should be installed and operated ONLY in dry or damp locations where the ambient temperature ranges from -4 °F to 122 °F (-20 °C to 50 °C). Luminaire operation in environments outside the listed temperature range voids the warranty AND may damage the product or adversely impact lamp life, lumen output and color consistency.

WARRANTY

Limited 5-year warranty. Details: alwusa.com/warranty

CONTROLS, SENSORS, & LED DRIVER

ALW lighting fixtures are intended for use with a wide range of sensors, lighting controls, LED drivers, and building management systems.

Our component portfolio is continually expanding to adopt to the latest technologies and specification needs. We currently support integration with Lutron, Enlighted, EldoLED, nLight, Osram, Philips, and more. If there's a component or system needed that you don't see on the spec sheet please contact ALW customer support today so we can review your requirements.

CHICAGO PLENUM

Recessed fixtures for this product family are available to meet Chicago Plenum certification in continuous lengths up to 8ft. For Chicago Plenum options please contact ALW.