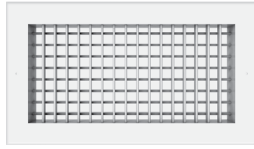


METALAIRE™

GRD PRODUCT CATALOG



**LINEAR
DIFFUSERS
& GRILLES**



GR

GRILLES & REGISTERS

- Supply/Return Grilles and Registers
- Reversible Core Grilles and Registers
- Spiral Duct Grilles
- Industrial Grilles
- Filter Grilles
- Specialty Grilles
- Heavy Duty Grilles
- Security Grilles
- Door/Transfer Grilles
- Accessories



CD

CEILING DIFFUSERS

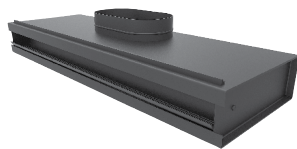
- Square Face Cone Diffusers
- Louvered Face Diffusers
- Concentric Supply/Return Diffusers
- Perforated Ceiling Diffusers
- Round Ceiling Diffusers
- VAV Diffusers
- Accessories



LDG

LINEAR DIFFUSERS & GRILLES

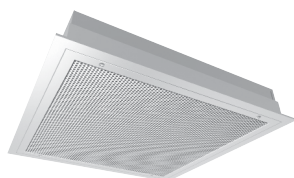
- Formations
- Linear Slot Diffusers
- Linear Bar Grilles



PSD

PLENUM SLOT DIFFUSERS

- Plenum Diffusers with adjustable pattern controller
- Plenum Diffusers with high capacity fixed patterns
- Light Troffer Diffusers
- Accessories



CE

CRITICAL ENVIRONMENT PRODUCTS

- Laminar Flow Diffusers
- Directional Flow Diffusers
- Radial Flow Diffusers
- Periflow Operating Room System

GRILLES & REGISTERS

CEILING DIFFUSERS

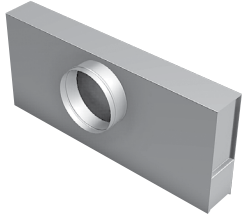
LINEAR DIFFUSERS & GRILLES

PLENUM SLOT DIFFUSERS

CRITICAL ENVIRONMENT PRODUCTS

LINEAR DIFFUSERS AND GRILLES

The METALAIRE line of Linear Diffusers and Grilles is designed to satisfy the most discerning architect's design concept without compromising engineering performance. Linear slot diffusers and grilles can be divided into three categories: Formations, Linear Slot Diffusers and Linear Bar Grilles.



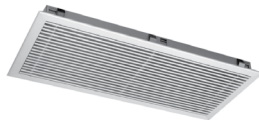
Formations satisfy the most demanding engineering and architectural criteria, providing superior air distribution, performance and sculpted elegance. Formations are available in linear, square and curved configurations. The refined lines and visual architectural appeal of Formations makes it ideal for integration into any ceiling system.

PAGE 2



Linear Slot Diffusers are an excellent choice for continuous linear applications such as perimeter office space, airport terminals, convention centers and shopping malls. The flexibility of these diffusers allows installation in a variety of applications to maximize occupant comfort. Linear slot diffusers are available in both straight and curved applications.

PAGE 68



Linear Bar Grilles are engineered for supply and return air distribution in heating and cooling applications and are designed for sidewall, floor, sill and ceiling installation. Linear bar grilles are available in straight, continuous and curved applications.

PAGE 129

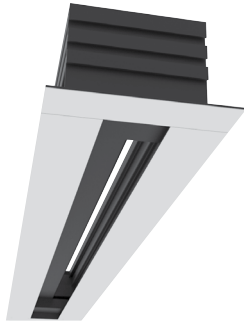


Louver Face Linear Diffusers are designed for continuous length applications where the clean lines of a louver face diffuser are desirable.

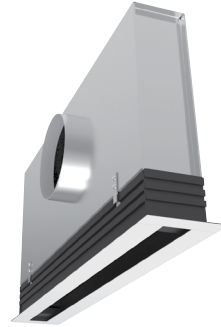
PAGE 157

FORMATIONS LINEAR DIFFUSERS

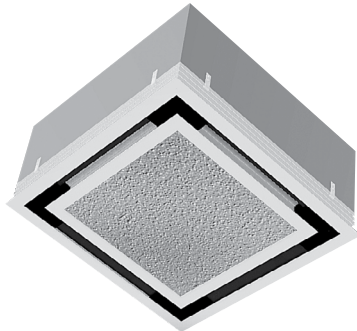
FORMATIONS LINEAR



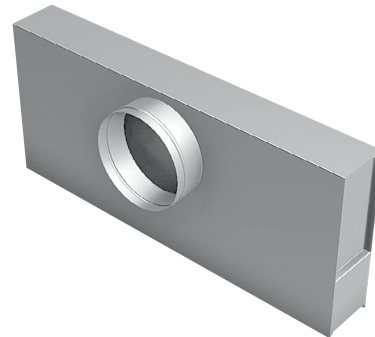
FORMATIONS TEE SYSTEM



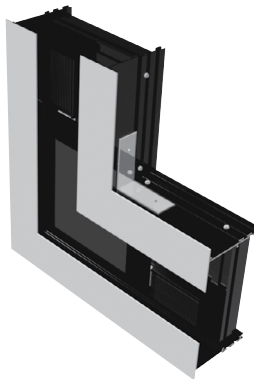
FORMATIONS INTEGRA



FORMATIONS PLENUMS



FORMATIONS ACCESSORIES



METALAIRE Formations is designed to integrate with all ceiling systems. Formations are available in both straight and curved sections to satisfy the most demanding architectural designs. The Formations line of architectural diffusers is an excellent choice for offices, libraries, airports, community buildings, restaurants, lobbies and retail spaces.

Formations Linear

The Formations series of linear diffusers is designed for ceiling and sidewall installation and is suitable for both commercial and residential applications. Formations can also be curved for ceiling or sidewall applications.

- FAL – Formations continuous linear
- FALC – Formations continuous linear – Concealed Mounting

Formations Tee System

The Formation Tee System is designed for ease of installation and can be easily removed and relocated if needed.

- FTS – Formations and plenum for Tee System
- FTSB – Formations and plenum for Bolt Slot Systems
- FTSI – Formations and plenum for Tee System – Insulated
- FTSBI – Formations and plenum for Bolt Slot Systems – Insulated

PAGE 18

Formations Integra

The Integra series is designed to lay in an acoustical T-bar or hard ceiling. The Integra incorporates the ceiling material as the face of the diffuser blending it into the ceiling design.

- FAI – Formations Integra supply
- FAII – Formations Integra supply – Insulated
- FAIR – Formations Integra return

PAGE 55

Formations Plenums

The UPFAL/UPFALC series plenum is designed for the FAL/FALC series Formation to connect the diffuser to the ducted supply or return.

- UPFAL – Formations plenum – Standard
- UPFALC – Formations plenum – Hemmed
- UPIFAL – Formations plenum – Standard insulated
- UPIFALC – Formations plenum – Hemmed insulated

PAGE 58

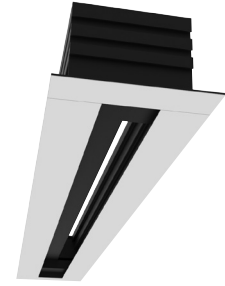
Formations Accessories

- FAM – Formations miter corner
- FAMSA – Formations special angle
- FAR – Formations perforated return shield
- FASE – Formations replacement end borders
- FAFC – Formations replacement spacer blocks
- FODR – Formations face operated damper rod
- ROD – Formations remote operated damper

PAGE 64

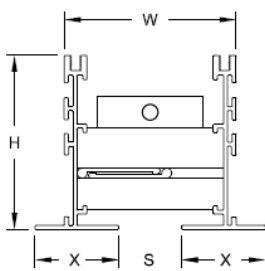
MODEL FAL

The Formations FAL series is engineered for supply, return or exhaust air distribution in heating, cooling and ventilating applications. It is designed for ceiling and sidewall installation, and works equally well in variable-volume or constant volume air distribution systems. Formations is suitable for both commercial and residential applications. Numerous frame styles allow the specifier to make an aesthetic statement.

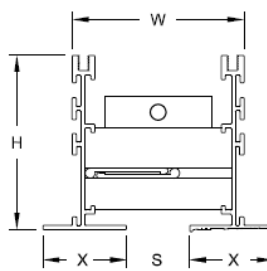


- Available with straight or combo pattern controllers
- Standard slot widths of 1", 1.5", 2", 2.5" and 3"
- Available in single section lengths up to 96"
- Available with one or two slots
- Available in 5 border configurations
- Quick installation with state of the art mounting hardware
- Can be curved to produce a ceiling flat, concave or convex face unit

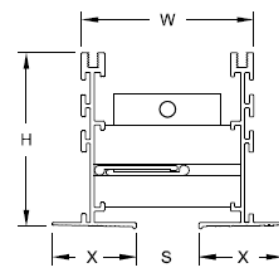
Models:	FAL-10	1" Slot
	FAL-15	1 1/2" Slot
	FAL-20	2" Slot
	FAL-25	2 1/2" Slot
	FAL-30	3" Slot



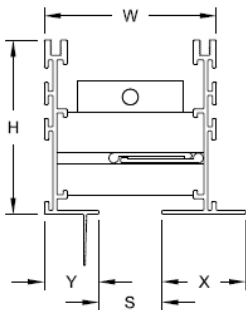
□ Border AA



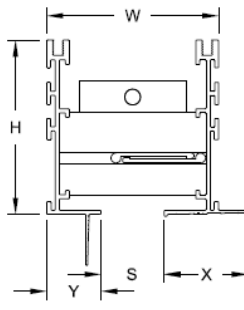
□ Border AC



□ Border CC

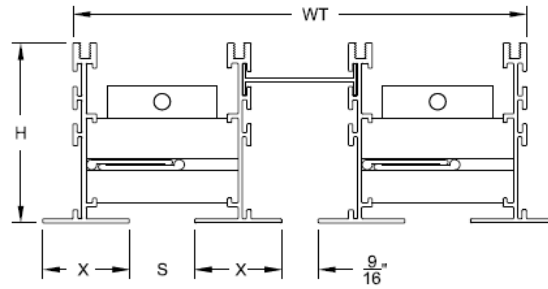


□ Border BA

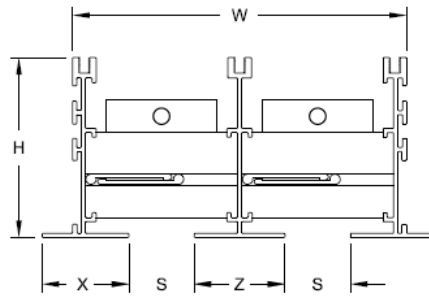


□ Border BC

Model	S Slot Width	W Width	X Border Width	Y Border Width	H Height
FAL-10	1"	2 3/4	1 5/16	7/8	2 3/4
FAL-15	1 1/2"	3 3/4	1 9/16	1 1/8	2 3/4
FAL-20	2"	4 3/4	1 13/16	1 3/8	2 3/4
FAL-25	2 1/2"	5 3/4	2 1/16	1 5/8	3 3/16
FAL-30	3"	6 3/4	1 13/16	2 5/16	3 5/8



□ Border AA 2T Slot

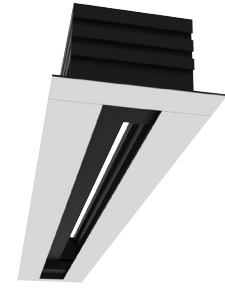


□ Border AA 2 Slot

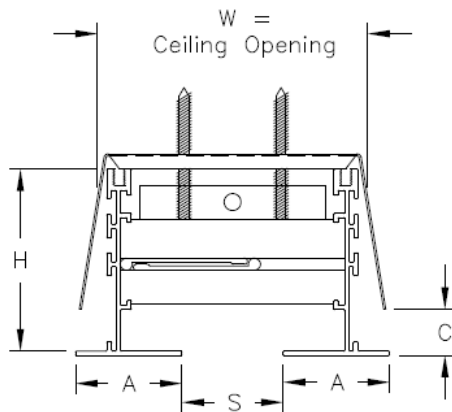
Model	S Slot Width	Z Border Width	Border Width	WT Border Width	H Height
FAL-10	1	1 3/8	5 1/8	6 15/16	2 3/4
FAL-15	1 1/2	1 7/8	7 1/8	8 15/16	2 3/4
FAL-20	2	2 3/8	9 1/8	10 15/16	2 3/4
FAL-25	2 1/2	2 7/8	11 1/8	12 15/16	3 3/16
FAL-30	3	3 3/8	13 1/8	14 15/16	3 5/8

MODEL FALC

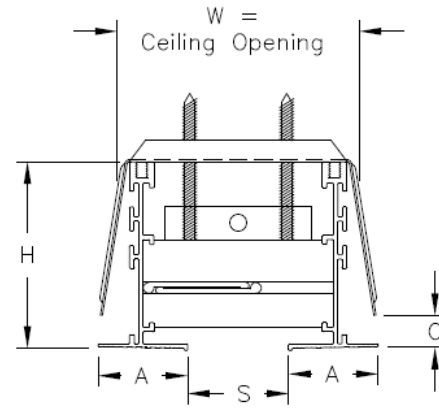
The Formations FALC series is engineered for supply, return or exhaust air distribution in heating, cooling and ventilating applications. It is designed for ceiling and sidewall installation, and works equally well in variable-volume or constant-volume air distribution systems. Formations is suitable for both commercial and residential applications. Numerous frame styles allow the specifier to make an aesthetic statement.



- Available with straight or combo pattern controllers in maximum 24" increments
- Standard slot widths of 1", 1.5", 2", 2.5" and 3"
- Available in single section lengths up to 96"
- Available with one or two slots
- Available in 2 border configurations
- Standard concealed mounting
- Can be curved to produce a flat face, concave or convex face unit

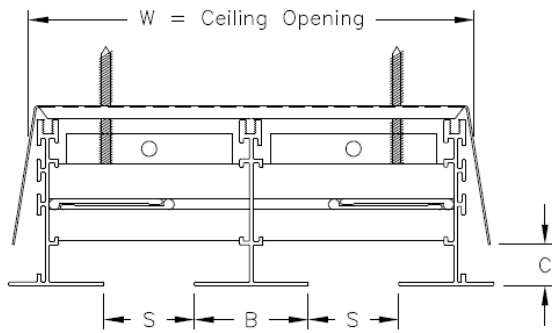


Border AA (1 Slot)

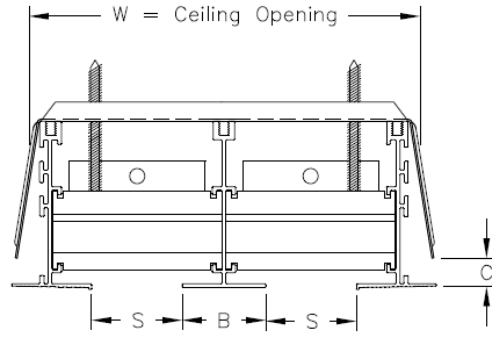


Border CC (1 Slot)

One Slot Formations					
Model	Formation Unit Slot Width	W (width)	A Border (width)	B Border (width)	H Height
FALC-10	1	3 3/4	1 15/16	7/8	2 3/4
FALC-15	1 1/2	4 1/4	1 9/16	1 1/8	2 3/4
FALC-20	2	5 1/4	1 13/16	1 3/8	2 3/4
FALC-25	2 1/2	6 1/4	2 1/16	1 5/8	3 3/16
FALC-30	3	7 1/4	2 5/16	1 7/8	3 5/8



Border AA (2 Slot)



Border CC (2 Slot)

Two Slot Formations				
Model	Formation Unit Slot Width	W (width)	B Border (width)	H Height
FALC-10	1	5 5/8	1 3/8	2 3/4
FALC-15	1 1/2	7 5/8	1 7/8	2 3/4
FALC-20	2	9 5/8	2 3/8	2 3/4
FALC-25	2 1/2	11 5/8	2 7/8	3 3/16
FALC-30	3	13 5/8	3 3/8	3 5/8

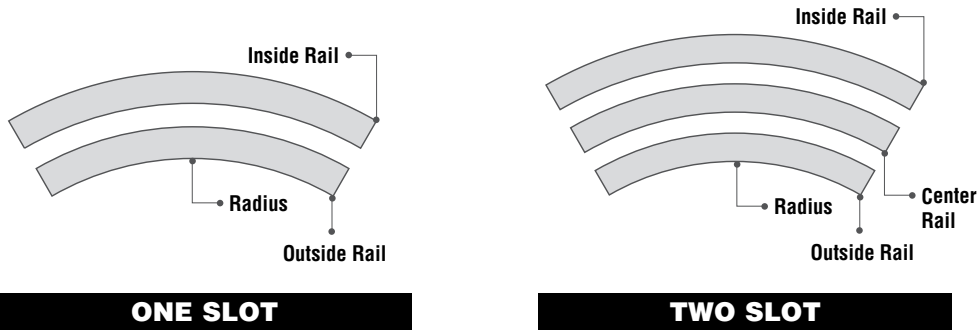
MODEL FAL/FALC CURVED



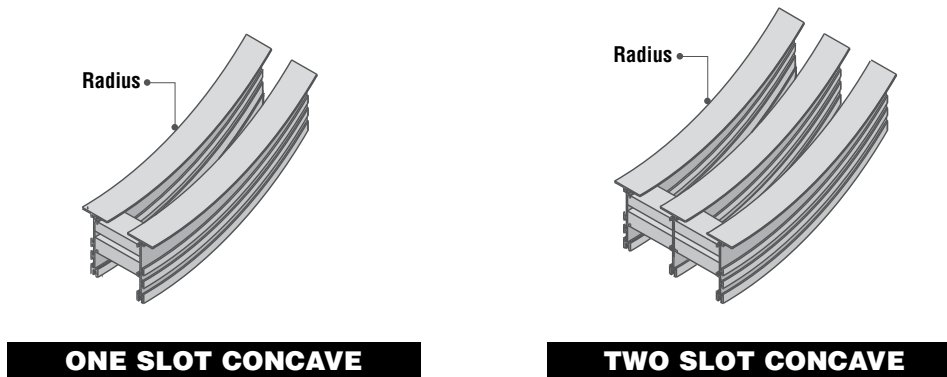
The Formations FAL series can be curved to accent ceilings and walls or complement custom designs. Using a stretch form process, each piece is individually curved to match the required radius, ensuring a uniform curve without ripples on the face of the diffuser.

- One and two slot units are available in flat face, concave or convex curves and in slot widths of 1", 1.5", 2" and 2.5" (3" slot width is not available curved)
- The available borders are AA and CC (center rails are white with the 2 Slot CC border)

CEILING FLAT

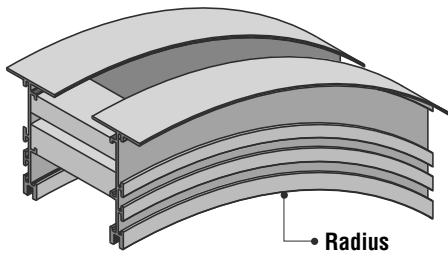


CONCAVE CURVE

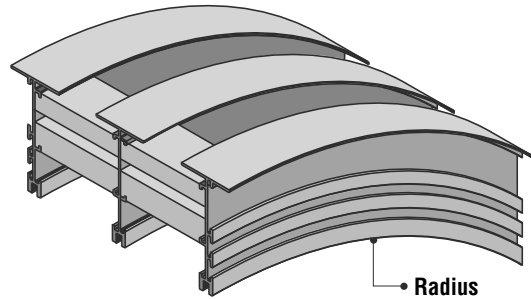




CONVEX CURVE



ONE SLOT CONVEX

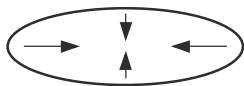


TWO SLOT CONVEX

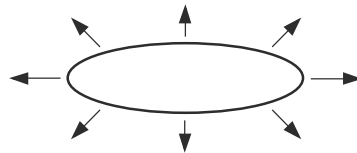


NOTE: Curved plenums are available, contact your METALAIRE representative.

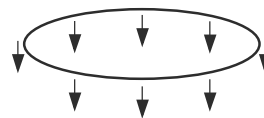
DIRECTION OF AIR FLOW



INSIDE
CONCAVE



OUTSIDE
CONVEX

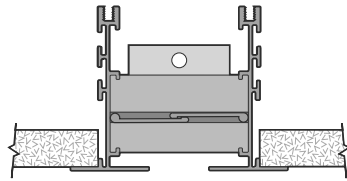


DOWN
CEILING FLAT

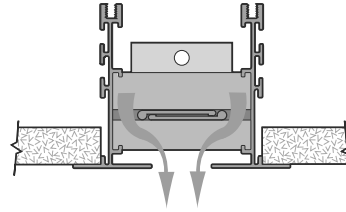
FORMATIONS PATTERN CONTROLLER OPTIONS

STANDARD PATTERN CONTROLLER

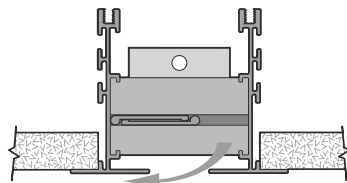
The standard pattern controller is extremely versatile and fully adjustable; it provides maximum comfort for every room occupant. This controller is typically used to throw air along the ceiling out of the occupied zone, providing excellent mixing with the room air at low and high velocities. The standard pattern controller can be adjusted to meet most applications and can direct supply air to the right, left or vertically in 2' increments. Appropriate for when the diffuser is being used in a return, supply or exhaust mode, the standard pattern controller can also act as a damper when fully closed.



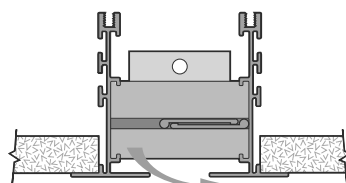
FULLY DAMPERED



VERTICAL



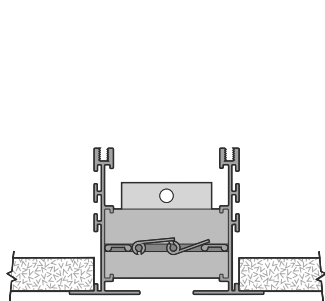
LEFT



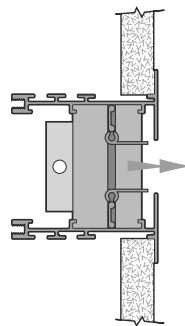
RIGHT

COMBO PATTERN CONTROLLER

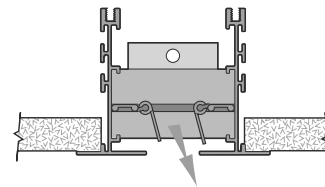
The combo pattern controller allows adjustment to the air stream in the field, for optimum performance and comfort. Superior performance is obtained both in sidewall and high bay applications, as well as in any standard ceiling application. With the combo pattern controller you always have flexibility to choose, in the field, the most effective pattern controller adjustment. The combo pattern controller is available in straight sections only.



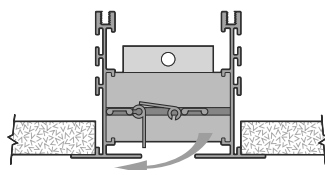
FULLY DAMPERED



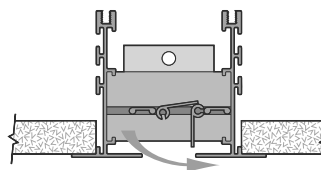
SIDEWALL



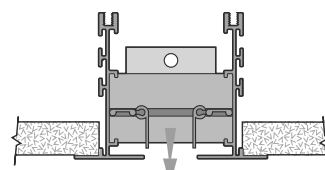
VERTICAL OFFSET



LEFT



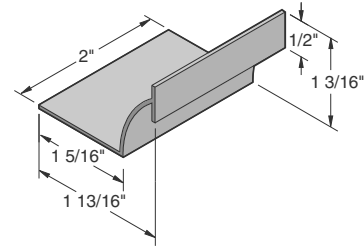
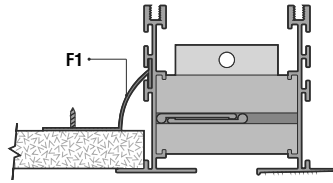
RIGHT



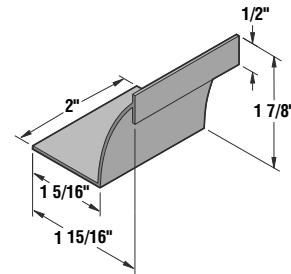
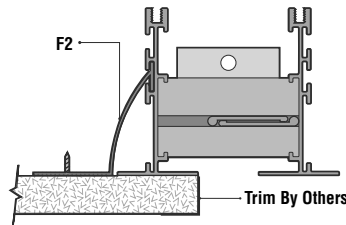
VERTICAL

MOUNTING CLIP DETAILS

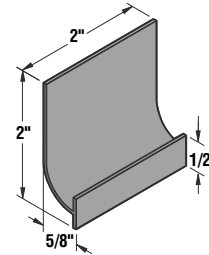
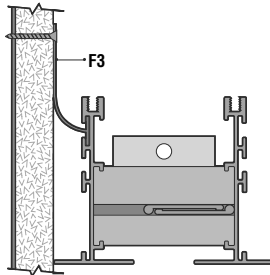
F1 Mounting Hardware is typically used with Border A or Border C for standard 5/8" gypsum board ceiling.



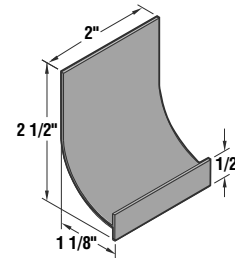
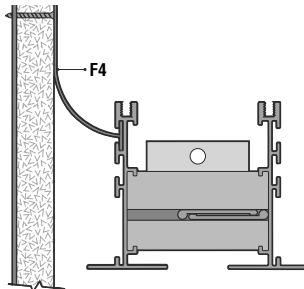
F2 Mounting Hardware is used to mount a hard ceiling over the face of Border A.



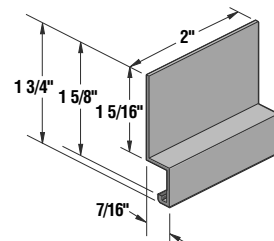
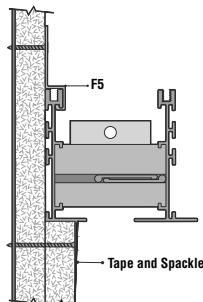
F3 Mounting Hardware is used to mount Border A for sidewall applications.



F4 Mounting Hardware is used to mount Border A along the perimeter of a ceiling with a return air slot.



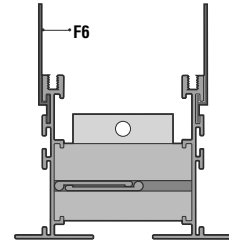
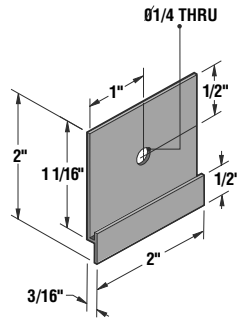
F5 Mounting Hardware is used to flush mount Border B against a sidewall.



MOUNTING CLIP DETAILS

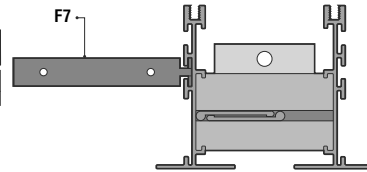
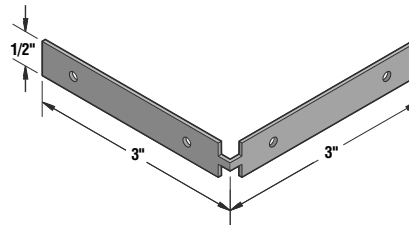
F6 Mounting Hardware

is used for easy suspension of the Formations unit from the structure. The clip is designed to utilize standard hanger wire.



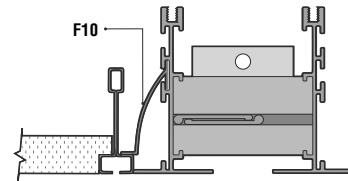
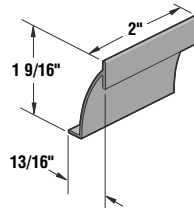
F7 Mounting Hardware

can be used to integrate the Formations assembly into an acoustical suspension system. The F7 clip is field formed and attached to the cross tees.



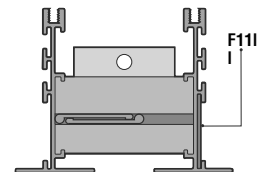
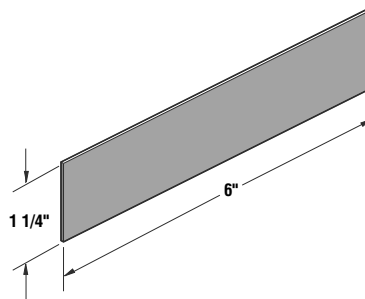
F10 Mounting Hardware

is used to align the Formations diffuser surface in a Bolt-slot T-bar application.

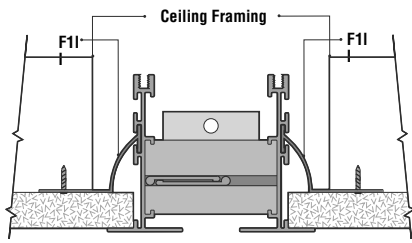


F11 Alignment Strips

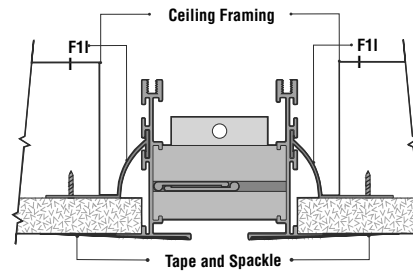
are used to align sections of the Formations diffuser, ensuring a straight and true installation in a continuous run.



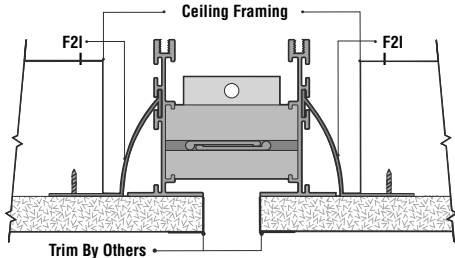
HARD CEILING APPLICATION



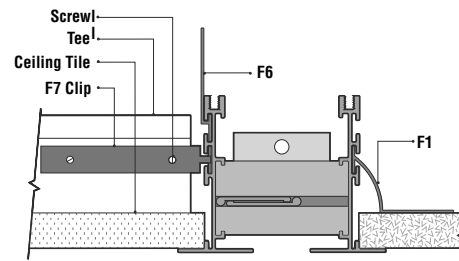
BORDER AA HARD CEILING



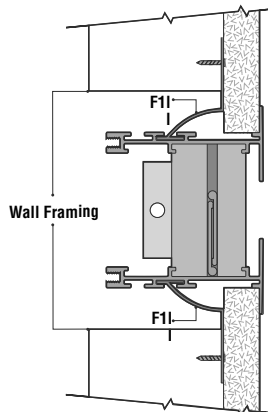
BORDER CC HARD CEILING



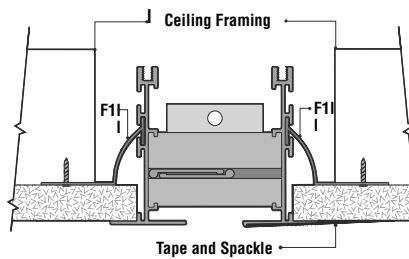
**BORDER AA
HARD CEILING / COVERED FLANGE**



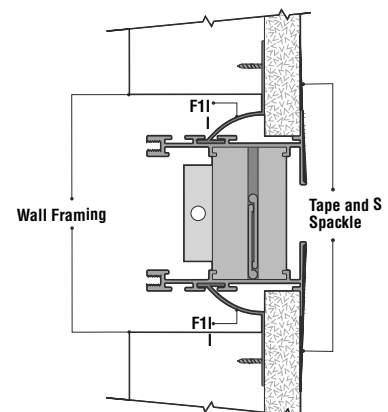
BORDER AA HARD CEILING



BORDER AA SIDE WALL

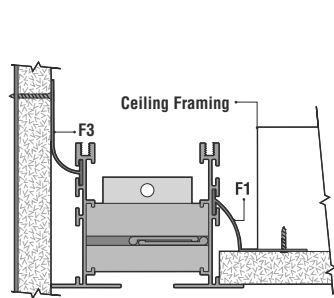


BORDER AC HARD CEILING

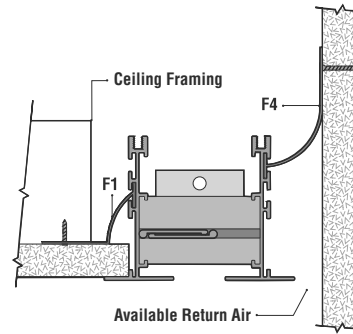


BORDER CC SIDE WALL

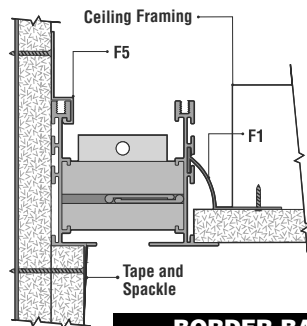
HARD CEILING PERIMETER APPLICATION



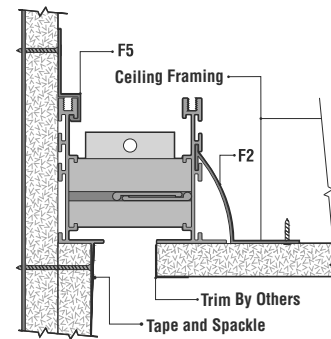
BORDER AA



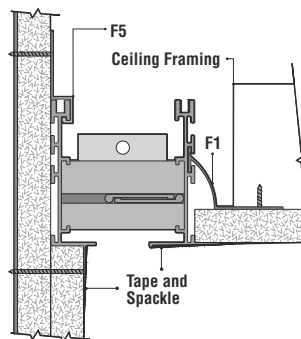
BORDER AA



BORDER BA

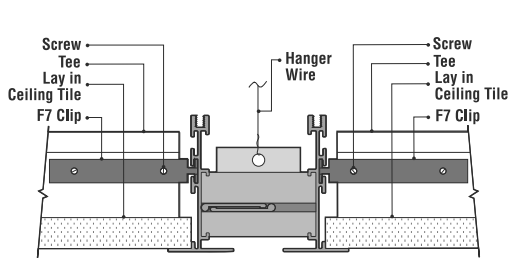


BORDER BA

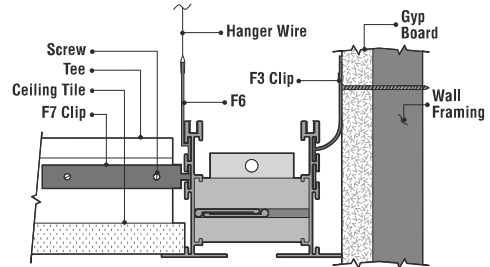


BORDER BC

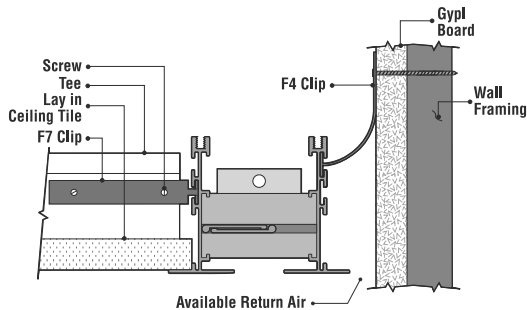
ACOUSTICAL CEILING APPLICATION



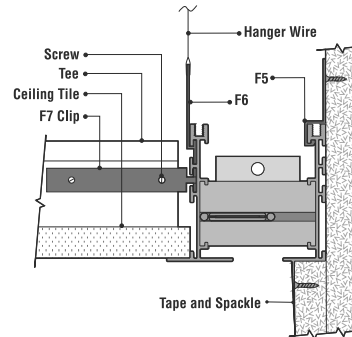
BORDER AA MAIN TEE



BORDER AA PERIMETER

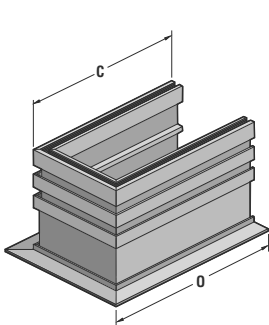
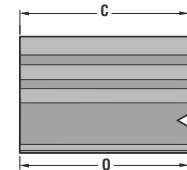
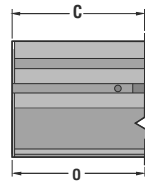
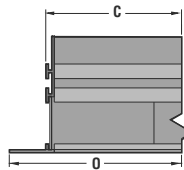
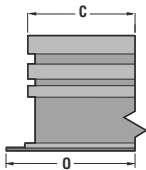


BORDER AA PERIMETER REVEL

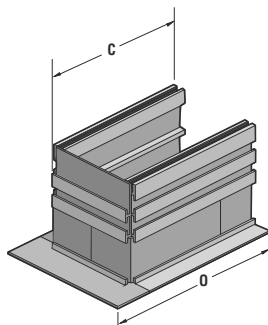


BORDER AB PERIMETER

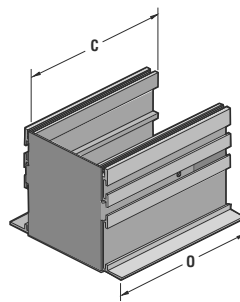
END FABRICATION DIMENSIONS



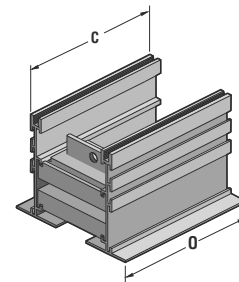
MITERED END







END BORDER






END CAP



OPEN END

BORDER TYPE	SLOT WIDTH								
		C	O	C	O	C	O	C	O
AA	1	D-1/4	D+1 3/8	D-1/8	D+11/16	D	D	D-1/4	D+11/16
	1.5	D-1/4	D+1 3/8	D-1/8	D+11/16	D	D	D-1/4	D+11/16
	2	D-1/4	D+1 3/8	D-1/8	D+11/16	D	D	D-1/4	D+11/16
	2.5	D-1/4	D+1 3/8	D-1/8	D+11/16	D	D	D-1/4	D+11/16
	3	D-1/4	D+1 3/8	D-1/8	D+11/16	D	D	D-1/4	D+11/16
CC AC BA BC	1	N/A	N/A	N/A	N/A	D	D	D-1/4	D+11/16
	1.5	N/A	N/A	N/A	N/A	D	D	D-1/4	D+11/16
	2	N/A	N/A	N/A	N/A	D	D	D-1/4	D+11/16
	2.5	N/A	N/A	N/A	N/A	D	D	D-1/4	D+11/16
	3	N/A	N/A	N/A	N/A	D	D	D-1/4	D+11/16

BORDER TYPE	SLOT WIDTH						
		C	O	C	O	C	O
AA	1	D-1/8	D+11/32	D-1/4	D	D-1/8	D
	1.5	D-1/8	D+11/32	D-1/4	D	D-1/8	D
	2	D-1/8	D+11/32	D-1/4	D	D-1/8	D
	2.5	D-1/8	D+11/32	D-1/4	D	D-1/8	D
	3	D-1/8	D+11/32	D-1/4	D	D-1/8	D
CC AC BA BC	1	D-1/8	D+11/32	D-1/4	D	D-1/8	D
	1.5	D-1/8	D+11/32	D-1/4	D	D-1/8	D
	2	D-1/8	D+11/32	D-1/4	D	D-1/8	D
	2.5	D-1/8	D+11/32	D-1/4	D	D-1/8	D
	3	D-1/8	D+11/32	D-1/4	D	D-1/8	D

Note: D = Listed Size.

SERIES FAL/FALC SPECIFICATIONS

FORMATIONS ARCHITECTURAL LINEAR SLOT DIFFUSER — EXTRUDED ALUMINUM — MODELS FAL/FALC

- Diffusers shall be models FAL/FALC manufactured by METALAIRE. Units shall be constructed of heavy gauge extruded aluminum. The units shall be available in 1", 1 1/2", 2", 2 1/2" and 3" widths. One and two slot units shall be available.
- The diffusers shall be available in sections limited to a maximum of 96". Units longer than 96" are formed by butting multiple diffuser sections together with alignment strips at the ends to form an unbroken appearance.
- The units shall be the size and quantity as outlined in the plans and specifications.

Performance Specification

The manufacturer shall provide published performance data. Data shall be tested in accordance to ANSI/ASHRAE Standard 70-2006.

Paint Specification

Process shall be anodic electro-deposition using an anodic acrylic paint. Units shall undergo pre-treatment including a pressurized spray stage using an alkaline cleaner and a de-ionized water rinse.

FORMATIONS MODEL NUMBER SPECIFICATIONS

ARCHITECTURAL LINEAR

Model	Slot Width	Border Style	Frame Configuration	# of Slots	End Detail	Finish	Mtg Hdw	Pattern Controller
FAL	10-1"	AA	1 - Surface Mount	1	2EB	20 - White/Black	F1	C - Combo
	15-1.5"	AC	6 - T-bar Lay in	2	1EB	03 - Black	F2	S - Straight
	20-2"	BA			2EC	23 - White/Black Face	F3	
	25-2.5"	BC			1EC		F4	
	30-3"	CC			MM		F5	
					MO		F6	
					OO		F7	
							F10	

MODEL FALC

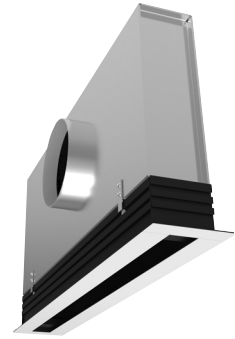
Model	Slot Width	Border Style	Frame Configuration	# of Slots	End Detail	Finish	Mtg Hdw	Pattern Controller
FALC	10-1"	AA	1 - Surface Mount	1	2EB	20 - White/Black	Mounting Brackets	C - Combo
	15-1.5"	CC	6 - T-bar Lay in	2	1EB	03 - Black	Screws	S - Straight
	20-2"	AC			2EC	23 - White/Black Face		
	25-2.5"				1EC			
	30-3"				MM			
					MO			
					OO			

MODEL FTS (TEE SYSTEM)

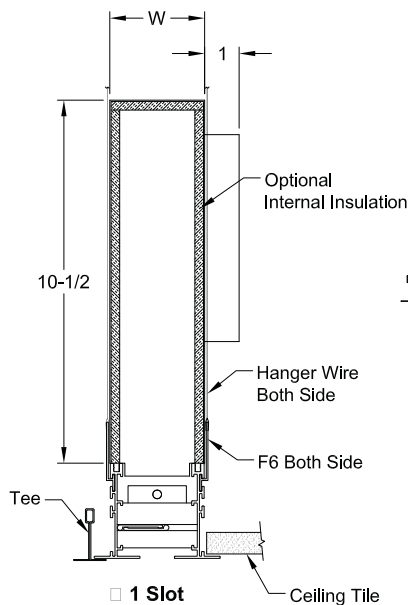
The Formations Tee System is a versatile diffuser created from the Formations Linear diffuser. Available in 24", 48" or 60" lengths, with an integral plenum, the FTS ensures the diffuser fits tightly into numerous ceiling suspension systems for a sleek, clean appearance.

A perfect choice for installation in an acoustical ceiling, the FTS is easily repositioned, providing great flexibility.

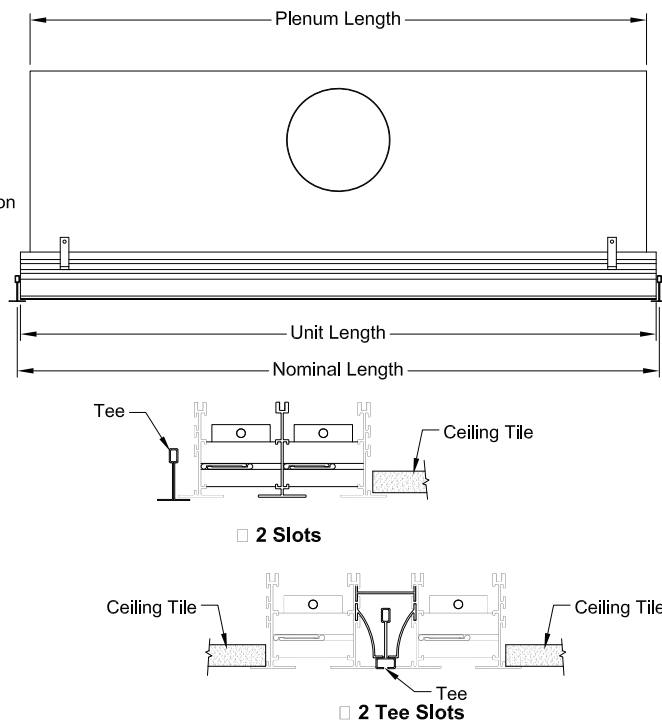
- Manufactured in pre-engineered lengths, the tee system is available in 1", 1 1/2" and 2" slot widths.
- Inlet Sizes – 6", 8", 10", 12" and 14"
- Finish – White Face, Black Interior
- Applications – 15/16" tee system, 9/16" tee system and 9/16" bolt slot tee system
- Available with insulation – model FTSI



Plenum (Installed) End View



Plenum Side View



Models	Formations Unit Slot Width	W (Width) Slots			Nominal Length	Standard available inlets	
		1	2T	2		Round	Oval
FTS, FTS1-10, FTSB, FTSB1-10	1"	2 3/4	6 15/16	5 1/8	24, 48, 60	6	8, 10, 12, 14
FTS, FTS1-15, FTSB, FTSB1-15	1 1/2"	3 3/4	8 15/16	7 1/8	24, 48, 60	6	8, 10, 12, 14
FTS, FTS1-20, FTSB, FTSB1-20	2"	4 3/4	10 15/16	9 1/8	24, 48, 60	6	8, 10, 12, 14

SERIES FORMATIONS SPECIFICATIONS

FORMATIONS ARCHITECTURAL LINEAR SLOT DIFFUSER — EXTRUDED ALUMINUM — MODELS FTS/FTSI

- Diffusers shall be models FTS/FTSI manufactured by METALAIRE. Units shall be constructed of heavy gauge extruded aluminum. The units shall be available in 1", 1 1/2" and 2" widths. One and two slot units shall be available.
- The diffusers shall be available in 24", 48" or 60". The units shall be the size and quantity as outlined in the plans and specifications.

Performance Specification

The manufacturer shall provide published performance data. Data shall be tested in accordance to ANSI/ASHRAE Standard 70-2006.

Paint Specification

Process shall be anodic electro-deposition using an anodic acrylic paint. Units shall undergo pre-treatment including a pressurized spray stage using an alkaline cleaner and a de-ionized water rinse.

FORMATIONS MODEL NUMBER SPECIFICATIONS ARCHITECTURAL LINEAR

Model	Slot Width	Border Style	Inlet	# of Slots	Length	Finish	Mtg Hdw	Pattern Controller	Available Options			
FTS	10-1"	AA	NI - No Inlet	1	24	20 - White/Black	F6	C - Combo	FODR	Face Operated Damper		
FTSI	15-1.5" 20-2"		06	2	48		F7	S - Straight	ID	Inlet Damper		
			08						60	F10	ROD	Remote Operated Damper
			10								CC	Closed Cell Insulation
			12								EI	External Insulation
			14									

FORMATIONS PERFORMANCE DATA

1 SLOT STANDARD BLADE HORIZONTAL THROW WITH METALAIRE PLENUM

One Slot — 1" Slot Width	Horizontal Throw	6" Round Inlet	2 ft.	CFM	65	80	95	105	120	130	145		
				Ps	.044	.067	.096	.129	.168	.212	.261	.315	
				Pt	.049	.074	.106	.144	.186	.235	.288	.349	
				NC	-	19	24	27	30	33	35	37	
				Throw	5-7-11	6-9-12	7-9-13	8-10-14	9-11-15	9-11-16	10-12-17	10-13-18	
		8" Oval Inlet	4 ft.	CFM	110	135	160	185	210	240	265	290	
				Ps	.048	.075	.106	.144	.187	.235	.290	.350	
				Pt	.068	.104	.148	.199	.258	.329	.403	.486	
				NC	17	21	26	29	32	35	37	39	
				Throw	6-10-15	8-12-17	10-13-19	11-14-20	12-15-21	13-16-23	14-17-24	14-18-25	
			5 ft.	CFM	135	170	200	235	265	300	330	365	
				Ps	.053	.082	.117	.158	.205	.259	.319	.384	
				Pt	.083	.129	.182	.247	.319	.405	.495	.600	
				NC	18	23	27	31	34	36	39	41	
				Throw	9-13-17	11-16-19	13-18-21	15-19-22	17-20-24	18-22-25	19-23-27	19-24-28	
One Slot — 1" Slot Width	Horizontal Throw		8" Oval Inlet	2 ft.	CFM	55	65	80	95	105	120	130	145
					Ps	.043	.056	.094	.126	.164	.207	.255	.307
		Pt			.044	.068	.097	.132	.171	.215	.265	.320	
		NC				17	22	26	30	33	36	39	
		Throw			5-7-11	6-9-12	7-9-13	8-10-14	9-11-15	9-11-16	10-12-17	10-13-18	
		4 ft.		CFM	110	135	160	185	210	240	265	290	
				Ps	.047	.073	.104	.141	.183	.230	.283	.342	
				Pt	.054	.084	.119	.160	.208	.264	.324	.391	
				NC	-	19	24	28	32	35	38	41	
				Throw	6-10-15	8-12-17	10-13-19	11-14-20	12-15-21	13-16-23	14-17-24	14-18-25	
		5 ft.		CFM	135	170	200	235	265	300	330	365	
				Ps	.052	.080	.114	.155	.201	.253	.311	.376	
				Pt	.063	.097	.138	.187	.242	.306	.375	.453	
				NC	-	20	25	30	34	37	40	42	
				Throw	9-13-17	11-16-19	13-18-21	15-19-22	17-20-24	18-22-25	19-23-27	19-24-28	

FORMATIONS PERFORMANCE DATA

1 SLOT STANDARD BLADE HORIZONTAL THROW WITH METALAIRE PLENUM

One Slot — 1.5" Slot Width	Horizontal Throw	6" Round Inlet	2 ft.	CFM	55	70	90	110	125	145	160	180					
				Ps	.026	.047	.073	.105	.143	.187	.236	.292					
				Pt	.031	.055	.086	.125	.168	.221	.278	.344					
				NC	-	18	23	27	31	34	37	39					
				Throw	3-6-11	5-8-12	6-9-14	8-11-15	9-12-17	10-12-18	11-13-19	11-14-20					
		6" Round Inlet	4 ft.	CFM	110	145	180	215	250	290	325	360					
						Ps	.029	.052	.081	.117	.159	.207	.262	.324			
						Pt	.049	.086	.133	.191	.260	.343	.433	.534			
						NC	-	20	25	29	33	36	39	41			
						Throw	5-8-15	7-11-18	9-13-20	11-15-22	12-17-23	14-18-25	15-19-26	16-20-28			
		6" Round Inlet	5 ft.	CFM	135	180	225	270	315	360	405	450					
						Ps	.032	.057	.089	.128	.175	.228	.289	.356			
						Pt	.062	.109	.171	.246	.335	.438	.554	.684			
						NC	15	21	27	31	34	37	40	43			
						Throw	6-11-17	9-14-20	12-18-22	14-21-24	17-22-26	19-24-28	21-25-30	22-26-31			
One Slot — 1.5" Slot Width	Horizontal Throw	8" Oval Inlet	2 ft.	CFM	55	70	90	110	125	145	160	180					
				Ps	.024	.042	.066	.094	.129	.168	.213	.262					
				Pt	.025	.045	.070	.102	.138	.180	.227	.281					
				NC	-	-	19	24	29	33	36	39					
							Throw	3-6-11	5-8-12	6-9-14	8-11-15	9-12-17	10-12-18	11-13-19	11-14-20		
					8" Oval Inlet	4 ft.	CFM	110	145	180	215	250	290	325	360		
									Ps	.026	.047	.073	.105	.143	.187	.236	.292
									Pt	.033	.059	.092	.132	.179	.236	.298	.367
									NC	-	-	21	26	31	35	38	41
									Throw	5-8-15	7-11-18	9-13-20	11-15-22	12-17-23	14-18-25	15-19-26	16-20-28
					8" Oval Inlet	5 ft.	CFM	135	180	225	270	315	360	405	450		
									Ps	.029	.051	.080	.115	.157	.205	.260	.321
									Pt	.039	.070	.110	.158	.215	.281	.355	.439
									NC	-	16	22	28	32	36	39	42
									Throw	6-11-17	9-14-20	12-18-22	14-21-24	17-22-26	19-24-28	21-25-30	22-26-31

FORMATIONS PERFORMANCE DATA

1 SLOT STANDARD BLADE HORIZONTAL THROW WITH METALAIRE PLENUM

One Slot — 2" Slot Width	Horizontal Throw	8" Oval Inlet	2 ft.	CFM	100	120	140	160	180	200	220	240
				Ps	.044	.063	.086	.112	.142	.176	.212	.253
Pt	.050	.072	.097	.127	.161	.199	.241	.286				
NC	-	18	23	27	30	33	36	38				
Throw	6-9-15	7-11-16	8-12-17	10-13-19	11-14-20	12-15-21	13-15-22	13-16-23				
One Slot — 2" Slot Width <td rowspan="2">Horizontal Throw <td rowspan="2">8" Oval Inlet <td rowspan="2">4 ft.</td> <td>CFM</td> <td>200</td> <td>240</td> <td>280</td> <td>320</td> <td>360</td> <td>400</td> <td>440</td> <td>480</td> </td></td>	Horizontal Throw <td rowspan="2">8" Oval Inlet <td rowspan="2">4 ft.</td> <td>CFM</td> <td>200</td> <td>240</td> <td>280</td> <td>320</td> <td>360</td> <td>400</td> <td>440</td> <td>480</td> </td>	8" Oval Inlet <td rowspan="2">4 ft.</td> <td>CFM</td> <td>200</td> <td>240</td> <td>280</td> <td>320</td> <td>360</td> <td>400</td> <td>440</td> <td>480</td>	4 ft.	CFM	200	240	280	320	360	400	440	480
				Ps	.049	.070	.096	.125	.158	.195	.236	.281
Pt	.072	.104	.141	.184	.233	.288	.349	.415				
NC	15	20	25	29	32	35	38	40				
Throw	9-13-21	10-15-23	12-17-25	14-19-26	15-20-28	17-21-29	18-22-31	19-23-32				
One Slot — 2" Slot Width <td rowspan="2">Horizontal Throw <td rowspan="2">8" Oval Inlet <td rowspan="2">5 ft.</td> <td>CFM</td> <td>250</td> <td>300</td> <td>350</td> <td>400</td> <td>450</td> <td>500</td> <td>550</td> <td>600</td> </td></td>	Horizontal Throw <td rowspan="2">8" Oval Inlet <td rowspan="2">5 ft.</td> <td>CFM</td> <td>250</td> <td>300</td> <td>350</td> <td>400</td> <td>450</td> <td>500</td> <td>550</td> <td>600</td> </td>	8" Oval Inlet <td rowspan="2">5 ft.</td> <td>CFM</td> <td>250</td> <td>300</td> <td>350</td> <td>400</td> <td>450</td> <td>500</td> <td>550</td> <td>600</td>	5 ft.	CFM	250	300	350	400	450	500	550	600
				Ps	.054	.077	.105	.137	.174	.215	.260	.309
Pt	.090	.130	.176	.230	.292	.360	.436	.518				
NC	17	22	26	30	34	37	39	42				
Throw	11-17-23	14-21-25	16-23-28	18-25-29	21-26-31	23-28-33	24-29-34	25-31-36				
One Slot — 2" Slot Width <td rowspan="2">Horizontal Throw <td rowspan="2">12" Oval Inlet <td rowspan="2">2 ft.</td> <td>CFM</td> <td>100</td> <td>120</td> <td>140</td> <td>160</td> <td>180</td> <td>200</td> <td>220</td> <td>240</td> </td></td>	Horizontal Throw <td rowspan="2">12" Oval Inlet <td rowspan="2">2 ft.</td> <td>CFM</td> <td>100</td> <td>120</td> <td>140</td> <td>160</td> <td>180</td> <td>200</td> <td>220</td> <td>240</td> </td>	12" Oval Inlet <td rowspan="2">2 ft.</td> <td>CFM</td> <td>100</td> <td>120</td> <td>140</td> <td>160</td> <td>180</td> <td>200</td> <td>220</td> <td>240</td>	2 ft.	CFM	100	120	140	160	180	200	220	240
				Ps	.043	.062	.085	.111	.140	.173	.209	.249
Pt	.045	.065	.088	.115	.146	.180	.218	.259				
NC	-	17	22	26	30	33	36	38				
Throw	6-9-15	7-11-16	8-12-17	10-13-19	11-14-20	12-15-21	13-15-22	13-16-23				
One Slot — 2" Slot Width <td rowspan="2">Horizontal Throw <td rowspan="2">12" Oval Inlet <td rowspan="2">4 ft.</td> <td>CFM</td> <td>200</td> <td>240</td> <td>280</td> <td>320</td> <td>360</td> <td>400</td> <td>440</td> <td>480</td> </td></td>	Horizontal Throw <td rowspan="2">12" Oval Inlet <td rowspan="2">4 ft.</td> <td>CFM</td> <td>200</td> <td>240</td> <td>280</td> <td>320</td> <td>360</td> <td>400</td> <td>440</td> <td>480</td> </td>	12" Oval Inlet <td rowspan="2">4 ft.</td> <td>CFM</td> <td>200</td> <td>240</td> <td>280</td> <td>320</td> <td>360</td> <td>400</td> <td>440</td> <td>480</td>	4 ft.	CFM	200	240	280	320	360	400	440	480
				Ps	.048	.069	.094	.123	.156	.192	.232	.276
Pt	.055	.079	.108	.141	.179	.221	.267	.318				
NC	-	19	24	28	32	35	38	40				
Throw	9-13-21	10-15-23	12-17-25	14-19-26	15-20-28	17-21-29	18-22-31	19-23-32				
One Slot — 2" Slot Width <td rowspan="2">Horizontal Throw <td rowspan="2">12" Oval Inlet <td rowspan="2">5 ft.</td> <td>CFM</td> <td>250</td> <td>300</td> <td>350</td> <td>400</td> <td>450</td> <td>500</td> <td>550</td> <td>600</td> </td></td>	Horizontal Throw <td rowspan="2">12" Oval Inlet <td rowspan="2">5 ft.</td> <td>CFM</td> <td>250</td> <td>300</td> <td>350</td> <td>400</td> <td>450</td> <td>500</td> <td>550</td> <td>600</td> </td>	12" Oval Inlet <td rowspan="2">5 ft.</td> <td>CFM</td> <td>250</td> <td>300</td> <td>350</td> <td>400</td> <td>450</td> <td>500</td> <td>550</td> <td>600</td>	5 ft.	CFM	250	300	350	400	450	500	550	600
				Ps	.053	.076	.103	.135	.171	.211	.256	.304
Pt	.064	.092	.125	.164	.207	.256	.310	.369				
NC	-	20	25	29	33	36	39	42				
Throw	11-17-23	14-21-25	16-23-28	18-25-29	21-26-31	23-28-33	24-29-34	25-31-36				

FORMATIONS PERFORMANCE DATA

1 SLOT STANDARD BLADE HORIZONTAL THROW WITH METALAIRE PLENUM

One Slot — 2.5" Slot Width	Horizontal Throw	10" Oval Inlet	2 ft.	CFM	130	160	190	220	250	280	310	340
				Ps	.049	.075	.106	.142	.183	.229	.281	.338
Pt	.054	.082	.116	.156	.201	.253	.310	.372				
NC	-	16	22	27	31	34	37	39				
Throw	7-10-17	9-13-19	10-14-20	12-15-22	13-16-23	14-17-25	15-18-26	16-19-27				
One Slot — 2.5" Slot Width <td rowspan="2">Horizontal Throw <td rowspan="2">10" Oval Inlet <td rowspan="2">4 ft.</td> <td>CFM</td> <td>260</td> <td>320</td> <td>380</td> <td>440</td> <td>500</td> <td>560</td> <td>620</td> <td>680</td> </td></td>	Horizontal Throw <td rowspan="2">10" Oval Inlet <td rowspan="2">4 ft.</td> <td>CFM</td> <td>260</td> <td>320</td> <td>380</td> <td>440</td> <td>500</td> <td>560</td> <td>620</td> <td>680</td> </td>	10" Oval Inlet <td rowspan="2">4 ft.</td> <td>CFM</td> <td>260</td> <td>320</td> <td>380</td> <td>440</td> <td>500</td> <td>560</td> <td>620</td> <td>680</td>	4 ft.	CFM	260	320	380	440	500	560	620	680
				Ps	.055	.083	.117	.157	.203	.255	.312	.376
Pt	.075	.114	.160	.215	.277	.348	.427	.513				
NC	-	18	24	29	33	36	39	41				
Throw	10-15-24	12-18-26	14-20-29	17-22-31	19-23-33	20-25-35	21-26-37	22-27-38				
One Slot — 2.5" Slot Width <td rowspan="2">Horizontal Throw <td rowspan="2">10" Oval Inlet <td rowspan="2">5 ft.</td> <td>CFM</td> <td>325</td> <td>400</td> <td>475</td> <td>550</td> <td>625</td> <td>700</td> <td>775</td> <td>850</td> </td></td>	Horizontal Throw <td rowspan="2">10" Oval Inlet <td rowspan="2">5 ft.</td> <td>CFM</td> <td>325</td> <td>400</td> <td>475</td> <td>550</td> <td>625</td> <td>700</td> <td>775</td> <td>850</td> </td>	10" Oval Inlet <td rowspan="2">5 ft.</td> <td>CFM</td> <td>325</td> <td>400</td> <td>475</td> <td>550</td> <td>625</td> <td>700</td> <td>775</td> <td>850</td>	5 ft.	CFM	325	400	475	550	625	700	775	850
				Ps	.060	.092	.129	.173	.223	.280	.344	.413
Pt	.092	.139	.196	.263	.339	.426	.522	.628				
NC	-	20	25	30	34	37	40	43				
Throw	13-20-27	16-25-29	19-27-32	22-29-34	25-31-37	27-33-39	28-35-41	30-36-43				
One Slot — 2.5" Slot Width <td rowspan="2">Horizontal Throw <td rowspan="2">12" Oval Inlet <td rowspan="2">2 ft.</td> <td>CFM</td> <td>130</td> <td>160</td> <td>190</td> <td>220</td> <td>250</td> <td>280</td> <td>310</td> <td>340</td> </td></td>	Horizontal Throw <td rowspan="2">12" Oval Inlet <td rowspan="2">2 ft.</td> <td>CFM</td> <td>130</td> <td>160</td> <td>190</td> <td>220</td> <td>250</td> <td>280</td> <td>310</td> <td>340</td> </td>	12" Oval Inlet <td rowspan="2">2 ft.</td> <td>CFM</td> <td>130</td> <td>160</td> <td>190</td> <td>220</td> <td>250</td> <td>280</td> <td>310</td> <td>340</td>	2 ft.	CFM	130	160	190	220	250	280	310	340
				Ps	.044	.066	.093	.125	.162	.203	.249	.299
Pt	.047	.071	.100	.134	.173	.217	.266	.320				
NC	-	16	22	27	31	34	37	39				
Throw	7-10-17	9-13-19	10-14-20	12-15-22	13-16-23	14-17-25	15-18-26	16-19-27				
One Slot — 2.5" Slot Width <td rowspan="2">Horizontal Throw <td rowspan="2">12" Oval Inlet <td rowspan="2">4 ft.</td> <td>CFM</td> <td>260</td> <td>320</td> <td>380</td> <td>440</td> <td>500</td> <td>560</td> <td>620</td> <td>680</td> </td></td>	Horizontal Throw <td rowspan="2">12" Oval Inlet <td rowspan="2">4 ft.</td> <td>CFM</td> <td>260</td> <td>320</td> <td>380</td> <td>440</td> <td>500</td> <td>560</td> <td>620</td> <td>680</td> </td>	12" Oval Inlet <td rowspan="2">4 ft.</td> <td>CFM</td> <td>260</td> <td>320</td> <td>380</td> <td>440</td> <td>500</td> <td>560</td> <td>620</td> <td>680</td>	4 ft.	CFM	260	320	380	440	500	560	620	680
				Ps	.049	.074	.104	.139	.180	.225	.276	.332
Pt	.061	.092	.130	.174	.225	.282	.345	.415				
NC	-	18	24	29	33	36	39	41				
Throw	10-15-24	12-18-26	14-20-29	17-22-31	19-23-33	20-25-35	21-26-37	22-27-38				
One Slot — 2.5" Slot Width <td rowspan="2">Horizontal Throw <td rowspan="2">12" Oval Inlet <td rowspan="2">5 ft.</td> <td>CFM</td> <td>325</td> <td>400</td> <td>475</td> <td>550</td> <td>625</td> <td>700</td> <td>775</td> <td>850</td> </td></td>	Horizontal Throw <td rowspan="2">12" Oval Inlet <td rowspan="2">5 ft.</td> <td>CFM</td> <td>325</td> <td>400</td> <td>475</td> <td>550</td> <td>625</td> <td>700</td> <td>775</td> <td>850</td> </td>	12" Oval Inlet <td rowspan="2">5 ft.</td> <td>CFM</td> <td>325</td> <td>400</td> <td>475</td> <td>550</td> <td>625</td> <td>700</td> <td>775</td> <td>850</td>	5 ft.	CFM	325	400	475	550	625	700	775	850
				Ps	.053	.081	.114	.153	.198	.248	.304	.366
Pt	.072	.110	.155	.207	.268	.336	.412	.495				
NC	-	20	25	30	34	37	40	43				
Throw	13-20-27	16-25-29	19-27-32	22-29-34	25-31-37	27-33-39	28-35-41	30-36-43				

FORMATIONS PERFORMANCE DATA

1 SLOT STANDARD BLADE HORIZONTAL THROW WITH METALAIRE PLENUM

One Slot — 3" Slot Width	Horizontal Throw	10" Oval Inlet	2 ft.	CFM	140	170	200	230	260	290	320	350
				Ps	.053	.078	.108	.143	.183	.227	.276	.331
Pt	.059	.087	.120	.159	.203	.252	.307	.367				
NC	-	16	21	25	29	33	35	38				
Throw	7-10-17	8-13-19	10-15-21	11-16-22	13-17-24	14-18-25	15-19-26	16-19-28				
One Slot — 3" Slot Width <td rowspan="2">Horizontal Throw <td rowspan="2">10" Oval Inlet <td rowspan="2">4 ft.</td> <td>CFM</td> <td>280</td> <td>340</td> <td>400</td> <td>460</td> <td>520</td> <td>580</td> <td>640</td> <td>700</td> </td></td>	Horizontal Throw <td rowspan="2">10" Oval Inlet <td rowspan="2">4 ft.</td> <td>CFM</td> <td>280</td> <td>340</td> <td>400</td> <td>460</td> <td>520</td> <td>580</td> <td>640</td> <td>700</td> </td>	10" Oval Inlet <td rowspan="2">4 ft.</td> <td>CFM</td> <td>280</td> <td>340</td> <td>400</td> <td>460</td> <td>520</td> <td>580</td> <td>640</td> <td>700</td>	4 ft.	CFM	280	340	400	460	520	580	640	700
				Ps	.059	.087	.120	.159	.203	.252	.307	.368
Pt	.082	.121	.168	.222	.283	.352	.429	.513				
NC	-	18	23	27	31	35	37	40				
Throw	10-15-25	12-18-27	14-21-29	16-22-32	18-24-34	20-25-35	21-26-37	22-28-39				
One Slot — 3" Slot Width <td rowspan="2">Horizontal Throw <td rowspan="2">10" Oval Inlet <td rowspan="2">5 ft.</td> <td>CFM</td> <td>350</td> <td>425</td> <td>500</td> <td>575</td> <td>650</td> <td>725</td> <td>800</td> <td>875</td> </td></td>	Horizontal Throw <td rowspan="2">10" Oval Inlet <td rowspan="2">5 ft.</td> <td>CFM</td> <td>350</td> <td>425</td> <td>500</td> <td>575</td> <td>650</td> <td>725</td> <td>800</td> <td>875</td> </td>	10" Oval Inlet <td rowspan="2">5 ft.</td> <td>CFM</td> <td>350</td> <td>425</td> <td>500</td> <td>575</td> <td>650</td> <td>725</td> <td>800</td> <td>875</td>	5 ft.	CFM	350	425	500	575	650	725	800	875
				Ps	.065	.095	.132	.175	.223	.278	.338	.404
Pt	.101	.149	.206	.273	.349	.434	.528	.632				
NC	-	19	24	29	33	36	39	41				
Throw	13-20-28	16-24-30	19-28-33	21-30-35	24-32-37	27-34-40	29-35-42	30-37-44				
One Slot — 3" Slot Width <td rowspan="2">Horizontal Throw <td rowspan="2">12" Oval Inlet <td rowspan="2">2 ft.</td> <td>CFM</td> <td>140</td> <td>170</td> <td>200</td> <td>230</td> <td>260</td> <td>290</td> <td>320</td> <td>350</td> </td></td>	Horizontal Throw <td rowspan="2">12" Oval Inlet <td rowspan="2">2 ft.</td> <td>CFM</td> <td>140</td> <td>170</td> <td>200</td> <td>230</td> <td>260</td> <td>290</td> <td>320</td> <td>350</td> </td>	12" Oval Inlet <td rowspan="2">2 ft.</td> <td>CFM</td> <td>140</td> <td>170</td> <td>200</td> <td>230</td> <td>260</td> <td>290</td> <td>320</td> <td>350</td>	2 ft.	CFM	140	170	200	230	260	290	320	350
				Ps	.051	.075	.104	.137	.175	.218	.265	.317
Pt	.054	.080	.111	.146	.187	.233	.283	.339				
NC	-	16	21	25	29	33	35	38				
Throw	7-10-17	8-13-19	10-15-21	11-16-22	13-17-24	14-18-25	15-19-26	16-19-28				
One Slot — 3" Slot Width <td rowspan="2">Horizontal Throw <td rowspan="2">12" Oval Inlet <td rowspan="2">4 ft.</td> <td>CFM</td> <td>280</td> <td>340</td> <td>400</td> <td>460</td> <td>520</td> <td>580</td> <td>640</td> <td>700</td> </td></td>	Horizontal Throw <td rowspan="2">12" Oval Inlet <td rowspan="2">4 ft.</td> <td>CFM</td> <td>280</td> <td>340</td> <td>400</td> <td>460</td> <td>520</td> <td>580</td> <td>640</td> <td>700</td> </td>	12" Oval Inlet <td rowspan="2">4 ft.</td> <td>CFM</td> <td>280</td> <td>340</td> <td>400</td> <td>460</td> <td>520</td> <td>580</td> <td>640</td> <td>700</td>	4 ft.	CFM	280	340	400	460	520	580	640	700
				Ps	.056	.083	.115	.152	.194	.242	.294	.352
Pt	.070	.104	.144	.190	.243	.302	.368	.440				
NC	-	18	23	27	31	35	37	40				
Throw	10-15-25	12-18-27	14-21-29	16-22-32	18-24-34	20-25-35	21-26-37	22-28-39				
One Slot — 3" Slot Width <td rowspan="2">Horizontal Throw <td rowspan="2">12" Oval Inlet <td rowspan="2">5 ft.</td> <td>CFM</td> <td>350</td> <td>425</td> <td>500</td> <td>575</td> <td>650</td> <td>725</td> <td>800</td> <td>875</td> </td></td>	Horizontal Throw <td rowspan="2">12" Oval Inlet <td rowspan="2">5 ft.</td> <td>CFM</td> <td>350</td> <td>425</td> <td>500</td> <td>575</td> <td>650</td> <td>725</td> <td>800</td> <td>875</td> </td>	12" Oval Inlet <td rowspan="2">5 ft.</td> <td>CFM</td> <td>350</td> <td>425</td> <td>500</td> <td>575</td> <td>650</td> <td>725</td> <td>800</td> <td>875</td>	5 ft.	CFM	350	425	500	575	650	725	800	875
				Ps	.062	.091	.127	.167	.214	.266	.324	.387
Pt	.084	.124	.171	.227	.290	.360	.439	.525				
NC	-	19	24	29	33	36	39	41				
Throw	13-20-28	16-24-30	19-28-33	21-30-35	24-32-37	27-34-40	29-35-42	30-37-44				

FORMATIONS PERFORMANCE DATA

2 SLOT STANDARD BLADE HORIZONTAL THROW WITH METALAIRE PLENUM

Two Slot — 1" Slot Width	Horizontal Throw	8" Oval Inlet	2 ft.	CFM	115	145	175	205	235	260	290	320
				Ps	.046	.072	.103	.140	.183	.232	.286	.346
Pt	.054	.084	.121	.165	.215	.271	.335	.405				
NC	-	16	22	27	31	35	38	40				
Throw	7-11-16	9-13-18	11-14-19	12-15-21	13-16-22	14-17-24	14-18-25	15-19-26				
Two Slot — 1" Slot Width <td rowspan="2">Horizontal Throw <td rowspan="2">8" Oval Inlet <td rowspan="2">4 ft.</td> <td>CFM</td> <td>235</td> <td>290</td> <td>350</td> <td>410</td> <td>465</td> <td>525</td> <td>580</td> <td>640</td> </td></td>	Horizontal Throw <td rowspan="2">8" Oval Inlet <td rowspan="2">4 ft.</td> <td>CFM</td> <td>235</td> <td>290</td> <td>350</td> <td>410</td> <td>465</td> <td>525</td> <td>580</td> <td>640</td> </td>	8" Oval Inlet <td rowspan="2">4 ft.</td> <td>CFM</td> <td>235</td> <td>290</td> <td>350</td> <td>410</td> <td>465</td> <td>525</td> <td>580</td> <td>640</td>	4 ft.	CFM	235	290	350	410	465	525	580	640
				Ps	.051	.080	.115	.156	.204	.257	.318	.384
Pt	.083	.129	.186	.254	.329	.418	.513	.622				
NC	-	18	24	29	33	37	40	42				
Throw	10-15-22	12-18-25	15-19-28	17-21-30	18-22-32	19-24-34	20-25-35	21-26-37				
Two Slot — 1" Slot Width <td rowspan="2">Horizontal Throw <td rowspan="2">8" Oval Inlet <td rowspan="2">5 ft.</td> <td>CFM</td> <td>295</td> <td>365</td> <td>440</td> <td>510</td> <td>585</td> <td>655</td> <td>730</td> <td>800</td> </td></td>	Horizontal Throw <td rowspan="2">8" Oval Inlet <td rowspan="2">5 ft.</td> <td>CFM</td> <td>295</td> <td>365</td> <td>440</td> <td>510</td> <td>585</td> <td>655</td> <td>730</td> <td>800</td> </td>	8" Oval Inlet <td rowspan="2">5 ft.</td> <td>CFM</td> <td>295</td> <td>365</td> <td>440</td> <td>510</td> <td>585</td> <td>655</td> <td>730</td> <td>800</td>	5 ft.	CFM	295	365	440	510	585	655	730	800
				Ps	.056	.088	.126	.172	.224	.283	.349	.422
Pt	.107	.165	.239	.323	.423	.533	.660	.795				
NC	-	20	26	31	35	38	41	43				
Throw	13-20-25	17-24-28	20-26-31	23-28-33	25-30-35	26-32-38	27-34-40	29-35-42				
Two Slot — 1" Slot Width <td rowspan="2">Horizontal Throw <td rowspan="2">10" Oval Inlet <td rowspan="2">2 ft.</td> <td>CFM</td> <td>115</td> <td>145</td> <td>175</td> <td>205</td> <td>235</td> <td>260</td> <td>290</td> <td>320</td> </td></td>	Horizontal Throw <td rowspan="2">10" Oval Inlet <td rowspan="2">2 ft.</td> <td>CFM</td> <td>115</td> <td>145</td> <td>175</td> <td>205</td> <td>235</td> <td>260</td> <td>290</td> <td>320</td> </td>	10" Oval Inlet <td rowspan="2">2 ft.</td> <td>CFM</td> <td>115</td> <td>145</td> <td>175</td> <td>205</td> <td>235</td> <td>260</td> <td>290</td> <td>320</td>	2 ft.	CFM	115	145	175	205	235	260	290	320
				Ps	.037	.058	.083	.112	.147	.185	.229	.276
Pt	.041	.064	.092	.125	.163	.205	.254	.307				
NC	-	16	22	27	31	35	38	40				
Throw	7-11-16	9-13-18	11--14-19	12-15-21	13-16-22	14-17-24	14-18-25	15-19-26				
Two Slot — 1" Slot Width <td rowspan="2">Horizontal Throw <td rowspan="2">10" Oval Inlet <td rowspan="2">4 ft.</td> <td>CFM</td> <td>235</td> <td>290</td> <td>350</td> <td>410</td> <td>465</td> <td>525</td> <td>580</td> <td>640</td> </td></td>	Horizontal Throw <td rowspan="2">10" Oval Inlet <td rowspan="2">4 ft.</td> <td>CFM</td> <td>235</td> <td>290</td> <td>350</td> <td>410</td> <td>465</td> <td>525</td> <td>580</td> <td>640</td> </td>	10" Oval Inlet <td rowspan="2">4 ft.</td> <td>CFM</td> <td>235</td> <td>290</td> <td>350</td> <td>410</td> <td>465</td> <td>525</td> <td>580</td> <td>640</td>	4 ft.	CFM	235	290	350	410	465	525	580	640
				Ps	.041	.064	.092	.125	.163	.206	.254	.307
Pt	.057	.089	.128	.175	.227	.288	.354	.429				
NC	-	18	24	29	33	37	40	42				
Throw	10-15-22	12-18-25	15-19-28	17-21-30	18-22-32	19-24-34	20-25-35	21-26-37				
Two Slot — 1" Slot Width <td rowspan="2">Horizontal Throw <td rowspan="2">10" Oval Inlet <td rowspan="2">5 ft.</td> <td>CFM</td> <td>295</td> <td>365</td> <td>440</td> <td>510</td> <td>585</td> <td>655</td> <td>730</td> <td>800</td> </td></td>	Horizontal Throw <td rowspan="2">10" Oval Inlet <td rowspan="2">5 ft.</td> <td>CFM</td> <td>295</td> <td>365</td> <td>440</td> <td>510</td> <td>585</td> <td>655</td> <td>730</td> <td>800</td> </td>	10" Oval Inlet <td rowspan="2">5 ft.</td> <td>CFM</td> <td>295</td> <td>365</td> <td>440</td> <td>510</td> <td>585</td> <td>655</td> <td>730</td> <td>800</td>	5 ft.	CFM	295	365	440	510	585	655	730	800
				Ps	.045	.070	.101	.137	.179	.227	.279	.338
Pt	.071	.110	.159	.215	.281	.354	.438	.528				
NC	-	20	26	31	35	38	41	43				
Throw	13-20-25	17-24-28	20-26-31	23-28-33	25-30-35	26-32-38	27-34-40	29-35-42				

FORMATIONS PERFORMANCE DATA

2 SLOT STANDARD BLADE HORIZONTAL THROW WITH METALAIRE PLENUM

Two Slot — 1.5" Slot Width	Horizontal Throw	8" Oval Inlet	2 ft.	CFM	125	160	190	220	255	285	320	350
				Ps	.045	.071	.102	.140	.183	.232	.287	.347
Pt	.054	.086	.123	.168	.221	.279	.346	.419				
NC	-	17	23	28	32	36	39	41				
Throw	6-9-17	8-12-18	9-14-20	11-15-22	12-17-23	14-18-25	15-19-26	16-19-28				
Two Slot — 1.5" Slot Width <td rowspan="2">Horizontal Throw <td rowspan="2">8" Oval Inlet <td rowspan="2">4 ft.</td> <td>CFM</td> <td>250</td> <td>315</td> <td>380</td> <td>445</td> <td>510</td> <td>570</td> <td>635</td> <td>700</td> </td></td>	Horizontal Throw <td rowspan="2">8" Oval Inlet <td rowspan="2">4 ft.</td> <td>CFM</td> <td>250</td> <td>315</td> <td>380</td> <td>445</td> <td>510</td> <td>570</td> <td>635</td> <td>700</td> </td>	8" Oval Inlet <td rowspan="2">4 ft.</td> <td>CFM</td> <td>250</td> <td>315</td> <td>380</td> <td>445</td> <td>510</td> <td>570</td> <td>635</td> <td>700</td>	4 ft.	CFM	250	315	380	445	510	570	635	700
				Ps	.050	.079	.114	.155	.203	.258	.319	.386
Pt	.086	.136	.198	.271	.355	.447	.553	.671				
NC	-	19	25	30	34	38	41	43				
Throw	9-13-23	11-16-26	13-20-29	15-22-31	18-23-33	20-25-35	21-26-37	22-28-39				
Two Slot — 1.5" Slot Width <td rowspan="2">Horizontal Throw <td rowspan="2">8" Oval Inlet <td rowspan="2">5 ft.</td> <td>CFM</td> <td>315</td> <td>395</td> <td>475</td> <td>555</td> <td>635</td> <td>715</td> <td>795</td> <td>875</td> </td></td>	Horizontal Throw <td rowspan="2">8" Oval Inlet <td rowspan="2">5 ft.</td> <td>CFM</td> <td>315</td> <td>395</td> <td>475</td> <td>555</td> <td>635</td> <td>715</td> <td>795</td> <td>875</td> </td>	8" Oval Inlet <td rowspan="2">5 ft.</td> <td>CFM</td> <td>315</td> <td>395</td> <td>475</td> <td>555</td> <td>635</td> <td>715</td> <td>795</td> <td>875</td>	5 ft.	CFM	315	395	475	555	635	715	795	875
				Ps	.055	.087	.125	.171	.224	.283	.350	.424
Pt	.113	.177	.256	.350	.458	.581	.718	.870				
NC	-	21	27	32	36	39	42	45				
Throw	12-18-26	15-22-29	18-27-32	21-29-35	24-31-37	27-33-39	29-35-41	30-37-44				
Two Slot — 1.5" Slot Width <td rowspan="2">Horizontal Throw <td rowspan="2">12" Oval Inlet <td rowspan="2">2 ft.</td> <td>CFM</td> <td>125</td> <td>160</td> <td>180</td> <td>220</td> <td>255</td> <td>285</td> <td>320</td> <td>350</td> </td></td>	Horizontal Throw <td rowspan="2">12" Oval Inlet <td rowspan="2">2 ft.</td> <td>CFM</td> <td>125</td> <td>160</td> <td>180</td> <td>220</td> <td>255</td> <td>285</td> <td>320</td> <td>350</td> </td>	12" Oval Inlet <td rowspan="2">2 ft.</td> <td>CFM</td> <td>125</td> <td>160</td> <td>180</td> <td>220</td> <td>255</td> <td>285</td> <td>320</td> <td>350</td>	2 ft.	CFM	125	160	180	220	255	285	320	350
				Ps	.031	.049	.071	.098	.128	.162	.200	.243
Pt	.034	.054	.078	.106	.139	.177	.219	.265				
NC	-	17	22	28	32	35	38	41				
Throw	6-9-17	8-12-18	9-14-20	11-15-22	12-17-23	14-18-25	15-19-26	16-19-28				
Two Slot — 1.5" Slot Width <td rowspan="2">Horizontal Throw <td rowspan="2">12" Oval Inlet <td rowspan="2">4 ft.</td> <td>CFM</td> <td>250</td> <td>315</td> <td>380</td> <td>445</td> <td>510</td> <td>570</td> <td>635</td> <td>700</td> </td></td>	Horizontal Throw <td rowspan="2">12" Oval Inlet <td rowspan="2">4 ft.</td> <td>CFM</td> <td>250</td> <td>315</td> <td>380</td> <td>445</td> <td>510</td> <td>570</td> <td>635</td> <td>700</td> </td>	12" Oval Inlet <td rowspan="2">4 ft.</td> <td>CFM</td> <td>250</td> <td>315</td> <td>380</td> <td>445</td> <td>510</td> <td>570</td> <td>635</td> <td>700</td>	4 ft.	CFM	250	315	380	445	510	570	635	700
				Ps	.035	.055	.079	.108	.142	.180	.222	.270
Pt	.046	.073	.105	.144	.189	.238	.295	.358				
NC	-	19	24	30	34	37	40	43				
Throw	9-13-23	11-16-26	13-20-29	15-22-31	18-23-33	20-25-35	21-26-37	22-29-39				
Two Slot — 1.5" Slot Width <td rowspan="2">Horizontal Throw <td rowspan="2">12" Oval Inlet <td rowspan="2">5 ft.</td> <td>CFM</td> <td>315</td> <td>395</td> <td>475</td> <td>555</td> <td>635</td> <td>715</td> <td>795</td> <td>875</td> </td></td>	Horizontal Throw <td rowspan="2">12" Oval Inlet <td rowspan="2">5 ft.</td> <td>CFM</td> <td>315</td> <td>395</td> <td>475</td> <td>555</td> <td>635</td> <td>715</td> <td>795</td> <td>875</td> </td>	12" Oval Inlet <td rowspan="2">5 ft.</td> <td>CFM</td> <td>315</td> <td>395</td> <td>475</td> <td>555</td> <td>635</td> <td>715</td> <td>795</td> <td>875</td>	5 ft.	CFM	315	395	475	555	635	715	795	875
				Ps	.038	.060	.087	.119	.156	.198	.245	.296
Pt	.056	.088	.128	.175	.229	.290	.358	.434				
NC	-	20	26	31	35	39	42	44				
Throw	12-18-26	15-22-29	18-27-32	21-29-35	24-31-37	27-33-39	29-35-41	30-37-44				

FORMATIONS PERFORMANCE DATA

2 SLOT STANDARD BLADE HORIZONTAL THROW WITH METALAIRE PLENUM

Two Slot — 2" Slot Width	Horizontal Throw	8" Oval Inlet	2 ft.	CFM	155	190	225	260	295	330	365	400
				Ps	.065	.097	.137	.183	.235	.294	.360	.432
Pt	.079	.118	.166	.222	.286	.357	.437	.525				
NC	-	16	21	26	30	33	36	38				
Throw	9-13-18	11-14-20	13-16-22	14-17-24	15-18-25	15-19-27	16-20-28	17-21-29				
Two Slot — 2" Slot Width <td rowspan="2">Horizontal Throw <td rowspan="2">8" Oval Inlet <td rowspan="2">4 ft.</td> <td>CFM</td> <td>310</td> <td>380</td> <td>450</td> <td>520</td> <td>590</td> <td>560</td> <td>730</td> <td>800</td> </td></td>	Horizontal Throw <td rowspan="2">8" Oval Inlet <td rowspan="2">4 ft.</td> <td>CFM</td> <td>310</td> <td>380</td> <td>450</td> <td>520</td> <td>590</td> <td>560</td> <td>730</td> <td>800</td> </td>	8" Oval Inlet <td rowspan="2">4 ft.</td> <td>CFM</td> <td>310</td> <td>380</td> <td>450</td> <td>520</td> <td>590</td> <td>560</td> <td>730</td> <td>800</td>	4 ft.	CFM	310	380	450	520	590	560	730	800
				Ps	.072	.108	.152	.203	.261	.327	.400	.480
Pt	.128	.192	.270	.360	.464	.580	.710	.853				
NC	-	18	23	28	32	35	38	40				
Throw	9-14-26	11-17-29	14-20-31	16-23-34	18-25-36	20-27-38	22-28-40	24-29-42				
Two Slot — 2" Slot Width <td rowspan="2">Horizontal Throw <td rowspan="2">8" Oval Inlet <td rowspan="2">5 ft.</td> <td>CFM</td> <td>390</td> <td>475</td> <td>565</td> <td>650</td> <td>740</td> <td>825</td> <td>915</td> <td>1000</td> </td></td>	Horizontal Throw <td rowspan="2">8" Oval Inlet <td rowspan="2">5 ft.</td> <td>CFM</td> <td>390</td> <td>475</td> <td>565</td> <td>650</td> <td>740</td> <td>825</td> <td>915</td> <td>1000</td> </td>	8" Oval Inlet <td rowspan="2">5 ft.</td> <td>CFM</td> <td>390</td> <td>475</td> <td>565</td> <td>650</td> <td>740</td> <td>825</td> <td>915</td> <td>1000</td>	5 ft.	CFM	390	475	565	650	740	825	915	1000
				Ps	.079	.119	.167	.223	.287	.359	.440	.528
Pt	.168	.250	.353	.469	.606	.756	.927	1.110				
NC	-	19	24	29	33	36	39	42				
Throw	12-19-29	15-23-32	18-27-35	21-31-37	24-34-40	27-36-42	29-38-44	32-39-47				
Two Slot — 2" Slot Width <td rowspan="2">Horizontal Throw <td rowspan="2">12" Oval Inlet <td rowspan="2">2 ft.</td> <td>CFM</td> <td>155</td> <td>190</td> <td>225</td> <td>260</td> <td>295</td> <td>330</td> <td>365</td> <td>400</td> </td></td>	Horizontal Throw <td rowspan="2">12" Oval Inlet <td rowspan="2">2 ft.</td> <td>CFM</td> <td>155</td> <td>190</td> <td>225</td> <td>260</td> <td>295</td> <td>330</td> <td>365</td> <td>400</td> </td>	12" Oval Inlet <td rowspan="2">2 ft.</td> <td>CFM</td> <td>155</td> <td>190</td> <td>225</td> <td>260</td> <td>295</td> <td>330</td> <td>365</td> <td>400</td>	2 ft.	CFM	155	190	225	260	295	330	365	400
				Ps	.032	.048	.067	.089	.115	.143	.175	.211
Pt	.036	.054	.076	.101	.130	.163	.199	.239				
NC	-	16	21	26	30	33	36	38				
Throw	6-10-18	8-12-20	10-14-22	11-17-24	13-18-25	14-19-27	16-20-28	17-21-29				
Two Slot — 2" Slot Width <td rowspan="2">Horizontal Throw <td rowspan="2">12" Oval Inlet <td rowspan="2">4 ft.</td> <td>CFM</td> <td>310</td> <td>380</td> <td>450</td> <td>520</td> <td>590</td> <td>660</td> <td>730</td> <td>800</td> </td></td>	Horizontal Throw <td rowspan="2">12" Oval Inlet <td rowspan="2">4 ft.</td> <td>CFM</td> <td>310</td> <td>380</td> <td>450</td> <td>520</td> <td>590</td> <td>660</td> <td>730</td> <td>800</td> </td>	12" Oval Inlet <td rowspan="2">4 ft.</td> <td>CFM</td> <td>310</td> <td>380</td> <td>450</td> <td>520</td> <td>590</td> <td>660</td> <td>730</td> <td>800</td>	4 ft.	CFM	310	380	450	520	590	660	730	800
				Ps	.035	.053	.074	.099	.127	.159	.195	.234
Pt	.052	.079	.110	.147	.190	.238	.291	.349				
NC	-	18	23	28	32	35	38	40				
Throw	9-14-26	11-17-29	14-20-31	16-23-34	18-25-36	20-27-38	22-28-40	24-29-42				
Two Slot — 2" Slot Width <td rowspan="2">Horizontal Throw <td rowspan="2">12" Oval Inlet <td rowspan="2">5 ft.</td> <td>CFM</td> <td>390</td> <td>475</td> <td>565</td> <td>650</td> <td>740</td> <td>825</td> <td>915</td> <td>1000</td> </td></td>	Horizontal Throw <td rowspan="2">12" Oval Inlet <td rowspan="2">5 ft.</td> <td>CFM</td> <td>390</td> <td>475</td> <td>565</td> <td>650</td> <td>740</td> <td>825</td> <td>915</td> <td>1000</td> </td>	12" Oval Inlet <td rowspan="2">5 ft.</td> <td>CFM</td> <td>390</td> <td>475</td> <td>565</td> <td>650</td> <td>740</td> <td>825</td> <td>915</td> <td>1000</td>	5 ft.	CFM	390	475	565	650	740	825	915	1000
				Ps	.039	.058	.081	.109	.140	.175	.214	.257
Pt	.066	.099	.139	.185	.238	.297	.365	.437				
NC	-	19	24	29	33	36	39	42				
Throw	12-19-29	15-23-32	18-27-35	21-31-37	24-34-40	27-36-42	29-38-44	32-39-47				

FORMATIONS PERFORMANCE DATA

2 SLOT STANDARD BLADE HORIZONTAL THROW WITH METALAIRE PLENUM

Two Slot — 2.5" Slot Width	Horizontal Throw	10" Oval Inlet	2 ft.	CFM	210	255	300	345	390	430	475	520
				Ps	.061	.088	.122	.160	.203	.252	.306	.365
Pt	.074	.108	.148	.195	.248	.307	.373	.445				
NC	-	18	23	27	31	34	37	39				
Throw	8-12-21	10-15-24	11-17-25	13-19-27	15-20-29	16-22-31	18-23-32	19-24-34				
Two Slot — 2.5" Slot Width <td rowspan="2">Horizontal Throw <td rowspan="2">10" Oval Inlet <td rowspan="2">4 ft.</td> <td>CFM</td> <td>425</td> <td>510</td> <td>600</td> <td>690</td> <td>775</td> <td>865</td> <td>950</td> <td>1040</td> </td></td>	Horizontal Throw <td rowspan="2">10" Oval Inlet <td rowspan="2">4 ft.</td> <td>CFM</td> <td>425</td> <td>510</td> <td>600</td> <td>690</td> <td>775</td> <td>865</td> <td>950</td> <td>1040</td> </td>	10" Oval Inlet <td rowspan="2">4 ft.</td> <td>CFM</td> <td>425</td> <td>510</td> <td>600</td> <td>690</td> <td>775</td> <td>865</td> <td>950</td> <td>1040</td>	4 ft.	CFM	425	510	600	690	775	865	950	1040
				Ps	.067	.098	.135	.178	.226	.280	.340	.406
Pt	.121	.176	.242	.319	.404	.502	.608	.727				
NC	-	20	25	29	33	36	39	41				
Throw	11-17-30	14-21-33	16-24-36	19-27-39	21-29-41	23-31-43	26-32-45	27-34-47				
Two Slot — 2.5" Slot Width <td rowspan="2">Horizontal Throw <td rowspan="2">10" Oval Inlet <td rowspan="2">5 ft.</td> <td>CFM</td> <td>530</td> <td>640</td> <td>750</td> <td>860</td> <td>970</td> <td>1080</td> <td>1190</td> <td>1300</td> </td></td>	Horizontal Throw <td rowspan="2">10" Oval Inlet <td rowspan="2">5 ft.</td> <td>CFM</td> <td>530</td> <td>640</td> <td>750</td> <td>860</td> <td>970</td> <td>1080</td> <td>1190</td> <td>1300</td> </td>	10" Oval Inlet <td rowspan="2">5 ft.</td> <td>CFM</td> <td>530</td> <td>640</td> <td>750</td> <td>860</td> <td>970</td> <td>1080</td> <td>1190</td> <td>1300</td>	5 ft.	CFM	530	640	750	860	970	1080	1190	1300
				Ps	.084	.123	.169	.222	.282	.350	.425	.507
Pt	.168	.245	.336	.442	.562	.696	.845	1.009				
NC	16	21	26	31	35	38	41	43				
Throw	15-23-34	18-28-37	22-32-40	25-37-43	28-39-46	31-41-48	34-43-51	37-45-53				
Two Slot — 2.5" Slot Width <td rowspan="2">Horizontal Throw <td rowspan="2">12" Oval Inlet <td rowspan="2">2 ft.</td> <td>CFM</td> <td>210</td> <td>255</td> <td>300</td> <td>345</td> <td>390</td> <td>430</td> <td>475</td> <td>520</td> </td></td>	Horizontal Throw <td rowspan="2">12" Oval Inlet <td rowspan="2">2 ft.</td> <td>CFM</td> <td>210</td> <td>255</td> <td>300</td> <td>345</td> <td>390</td> <td>430</td> <td>475</td> <td>520</td> </td>	12" Oval Inlet <td rowspan="2">2 ft.</td> <td>CFM</td> <td>210</td> <td>255</td> <td>300</td> <td>345</td> <td>390</td> <td>430</td> <td>475</td> <td>520</td>	2 ft.	CFM	210	255	300	345	390	430	475	520
				Ps	.038	.055	.076	.100	.127	.157	.191	.228
Pt	.046	.067	.092	.121	.154	.191	.232	.277				
NC	-	17	22	26	30	34	36	39				
Throw	8-12-21	10-15-24	11-17-25	13-19-27	15-20-29	16-22-31	18-23-32	19-24-34				
Two Slot — 2.5" Slot Width <td rowspan="2">Horizontal Throw <td rowspan="2">12" Oval Inlet <td rowspan="2">4 ft.</td> <td>CFM</td> <td>425</td> <td>510</td> <td>600</td> <td>690</td> <td>775</td> <td>865</td> <td>950</td> <td>1040</td> </td></td>	Horizontal Throw <td rowspan="2">12" Oval Inlet <td rowspan="2">4 ft.</td> <td>CFM</td> <td>425</td> <td>510</td> <td>600</td> <td>690</td> <td>775</td> <td>865</td> <td>950</td> <td>1040</td> </td>	12" Oval Inlet <td rowspan="2">4 ft.</td> <td>CFM</td> <td>425</td> <td>510</td> <td>600</td> <td>690</td> <td>775</td> <td>865</td> <td>950</td> <td>1040</td>	4 ft.	CFM	425	510	600	690	775	865	950	1040
				Ps	.042	.061	.084	.111	.141	.175	.212	.254
Pt	.075	.108	.149	.196	.249	.309	.375	.448				
NC	-	19	24	28	32	36	38	41				
Throw	11-17-30	14-21-33	16-24-36	19-27-39	21-29-41	23-31-43	26-32-45	27-34-47				
Two Slot — 2.5" Slot Width <td rowspan="2">Horizontal Throw <td rowspan="2">12" Oval Inlet <td rowspan="2">5 ft.</td> <td>CFM</td> <td>530</td> <td>640</td> <td>750</td> <td>860</td> <td>970</td> <td>1080</td> <td>1190</td> <td>1300</td> </td></td>	Horizontal Throw <td rowspan="2">12" Oval Inlet <td rowspan="2">5 ft.</td> <td>CFM</td> <td>530</td> <td>640</td> <td>750</td> <td>860</td> <td>970</td> <td>1080</td> <td>1190</td> <td>1300</td> </td>	12" Oval Inlet <td rowspan="2">5 ft.</td> <td>CFM</td> <td>530</td> <td>640</td> <td>750</td> <td>860</td> <td>970</td> <td>1080</td> <td>1190</td> <td>1300</td>	5 ft.	CFM	530	640	750	860	970	1080	1190	1300
				Ps	.046	.068	.093	.122	.155	.192	.234	.279
Pt	.097	.141	.194	.255	.324	.402	.488	.583				
NC	-	20	26	30	34	37	40	42				
Throw	15-23-34	18-28-37	22-32-40	25-37-43	28-39-46	31-41-48	34-43-51	37-45-53				

FORMATIONS PERFORMANCE DATA

2 SLOT STANDARD BLADE HORIZONTAL THROW WITH METALAIRE PLENUM

Two Slot — 3" Slot Width	Horizontal Throw	10" Oval Inlet	2 ft.	CFM	195	240	280	320	365	405	450	490
				Ps	.027	.039	.054	.072	.092	.114	.139	.166
Pt	.038	.056	.078	.102	.131	.163	.199	.238				
NC	-	16	21	25	29	33	35	38				
Throw	6-10-20	8-12-23	10-15-25	11-17-26	13-19-28	14-21-30	16-22-31	17-23-33				
Two Slot — 3" Slot Width <td rowspan="2">Horizontal Throw <td rowspan="2">10" Oval Inlet <td rowspan="2">4 ft.</td> <td>CFM</td> <td>390</td> <td>475</td> <td>560</td> <td>645</td> <td>730</td> <td>810</td> <td>895</td> <td>980</td> </td></td>	Horizontal Throw <td rowspan="2">10" Oval Inlet <td rowspan="2">4 ft.</td> <td>CFM</td> <td>390</td> <td>475</td> <td>560</td> <td>645</td> <td>730</td> <td>810</td> <td>895</td> <td>980</td> </td>	10" Oval Inlet <td rowspan="2">4 ft.</td> <td>CFM</td> <td>390</td> <td>475</td> <td>560</td> <td>645</td> <td>730</td> <td>810</td> <td>895</td> <td>980</td>	4 ft.	CFM	390	475	560	645	730	810	895	980
				Ps	.030	.044	.060	.080	.102	.127	.155	.185
Pt	.075	.111	.154	.203	.260	.322	.392	.470				
NC	-	18	23	27	31	35	37	40				
Throw	8-14-29	12-18-32	14-21-35	16-24-37	18-27-40	20-30-42	22-31-44	24-33-46				
Two Slot — 3" Slot Width <td rowspan="2">Horizontal Throw <td rowspan="2">10" Oval Inlet <td rowspan="2">5 ft.</td> <td>CFM</td> <td>490</td> <td>595</td> <td>700</td> <td>805</td> <td>910</td> <td>1015</td> <td>1120</td> <td>1225</td> </td></td>	Horizontal Throw <td rowspan="2">10" Oval Inlet <td rowspan="2">5 ft.</td> <td>CFM</td> <td>490</td> <td>595</td> <td>700</td> <td>805</td> <td>910</td> <td>1015</td> <td>1120</td> <td>1225</td> </td>	10" Oval Inlet <td rowspan="2">5 ft.</td> <td>CFM</td> <td>490</td> <td>595</td> <td>700</td> <td>805</td> <td>910</td> <td>1015</td> <td>1120</td> <td>1225</td>	5 ft.	CFM	490	595	700	805	910	1015	1120	1225
				Ps	.041	.061	.085	.112	.143	.178	.216	.259
Pt	.113	.166	.230	.304	.389	.484	.589	.705				
NC	-	19	24	29	33	36	39	41				
Throw	11-19-32	15-24-36	18-28-39	21-32-42	24-36-44	27-40-47	30-42-49	32-44-51				
Two Slot — 3" Slot Width <td rowspan="2">Horizontal Throw <td rowspan="2">12" Oval Inlet <td rowspan="2">2 ft.</td> <td>CFM</td> <td>195</td> <td>240</td> <td>280</td> <td>320</td> <td>365</td> <td>405</td> <td>450</td> <td>490</td> </td></td>	Horizontal Throw <td rowspan="2">12" Oval Inlet <td rowspan="2">2 ft.</td> <td>CFM</td> <td>195</td> <td>240</td> <td>280</td> <td>320</td> <td>365</td> <td>405</td> <td>450</td> <td>490</td> </td>	12" Oval Inlet <td rowspan="2">2 ft.</td> <td>CFM</td> <td>195</td> <td>240</td> <td>280</td> <td>320</td> <td>365</td> <td>405</td> <td>450</td> <td>490</td>	2 ft.	CFM	195	240	280	320	365	405	450	490
				Ps	.022	.032	.044	.058	.075	.093	.113	.135
Pt	.028	.042	.058	.077	.098	.122	.149	.178				
NC	-	-	20	24	28	32	35	37				
Throw	6-10-20	8-12-23	10-15-25	11-17-26	13-19-28	14-21-30	16-22-31	17-23-33				
Two Slot — 3" Slot Width <td rowspan="2">Horizontal Throw <td rowspan="2">12" Oval Inlet <td rowspan="2">4 ft.</td> <td>CFM</td> <td>390</td> <td>475</td> <td>560</td> <td>645</td> <td>730</td> <td>810</td> <td>895</td> <td>980</td> </td></td>	Horizontal Throw <td rowspan="2">12" Oval Inlet <td rowspan="2">4 ft.</td> <td>CFM</td> <td>390</td> <td>475</td> <td>560</td> <td>645</td> <td>730</td> <td>810</td> <td>895</td> <td>980</td> </td>	12" Oval Inlet <td rowspan="2">4 ft.</td> <td>CFM</td> <td>390</td> <td>475</td> <td>560</td> <td>645</td> <td>730</td> <td>810</td> <td>895</td> <td>980</td>	4 ft.	CFM	390	475	560	645	730	810	895	980
				Ps	.024	.035	.049	.065	.083	.103	.125	.150
Pt	.051	.076	.105	.140	.179	.221	.269	.323				
NC	-	17	22	26	30	34	37	39				
Throw	8-14-29	12-18-32	14-21-35	16-24-37	18-27-40	20-30-42	22-31-44	24-33-46				
Two Slot — 3" Slot Width <td rowspan="2">Horizontal Throw <td rowspan="2">12" Oval Inlet <td rowspan="2">5 ft.</td> <td>CFM</td> <td>490</td> <td>595</td> <td>700</td> <td>805</td> <td>910</td> <td>1015</td> <td>1120</td> <td>1225</td> </td></td>	Horizontal Throw <td rowspan="2">12" Oval Inlet <td rowspan="2">5 ft.</td> <td>CFM</td> <td>490</td> <td>595</td> <td>700</td> <td>805</td> <td>910</td> <td>1015</td> <td>1120</td> <td>1225</td> </td>	12" Oval Inlet <td rowspan="2">5 ft.</td> <td>CFM</td> <td>490</td> <td>595</td> <td>700</td> <td>805</td> <td>910</td> <td>1015</td> <td>1120</td> <td>1225</td>	5 ft.	CFM	490	595	700	805	910	1015	1120	1225
				Ps	.026	.039	.054	.071	.091	.113	.138	.165
Pt	.070	.103	.142	.188	.240	.298	.363	.435				
NC	-	18	23	28	32	35	38	41				
Throw	11-19-32	15-24-36	18-28-39	21-32-42	24-36-44	27-40-47	30-42-49	32-44-51				

FORMATIONS PERFORMANCE DATA

PRESSURIZED CEILING PLENUM WITH STANDARD BLADE PATTERN CONTROLLER

1" Slot Width	1 Slot	CFM/LF	25	40	65	80	95	110	125	140
		Ps	.026	.066	.174	.264	.372	.499	.644	.808
		NC	-	16	31	37	42	45	48	51
		Throw	6-9-15	10-13-19	14-17-24	15-19-26	17-20-29	18-22-31	19-23-33	20-25-35
	2 Slot	CFM/LF	40	60	100	120	145	165	190	210
		Ps	.017	.038	.105	.151	.221	.286	.379	.463
		NC	-	-	26	32	38	41	45	47
		Throw	7-10-19	10-15-23	17-21-29	19-23-32	20-25-35	22-27-38	23-29-41	25-30-43
1.5" Slot Width	1 Slot	CFM/LF	30	50	80	95	115	130	150	170
		Ps	.026	.072	.184	.259	.380	.486	.647	.831
		NC	-	16	31	36	41	44	48	50
		Throw	6-9-16	10-15-21	15-19-26	17-20-29	18-22-32	19-24-34	21-25-36	22-27-38
	2 Slot	CFM/LF	45	75	120	145	175	195	225	255
		Ps	.017	.048	.123	.179	.261	.324	.431	.553
		NC	-	-	25	31	37	40	44	47
		Throw	5-9-19	11-16-25	17-23-32	20-25-35	22-28-39	24-29-41	25-31-44	27-33-47
2" Slot Width	1 Slot	CFM/LF	35	55	90	110	135	155	175	195
		Ps	.025	.062	.166	.248	.374	.493	.628	.780
		NC	-	-	27	33	39	42	45	48
		Throw	5-9-17	9-14-22	15-20-28	18-22-31	20-24-34	21-26-37	22-28-39	24-29-41
	2 Slot	CFM/LF	55	85	135	165	205	235	265	295
		Ps	.016	.039	.099	.148	.229	.301	.383	.474
		NC	-	-	20	27	34	38	41	44
		Throw	5-10-20	10-15-27	16-24-34	20-27-38	24-30-42	26-32-45	28-34-48	29-36-51
2.5" Slot Width	1 Slot	CFM/LF	40	60	100	120	145	165	190	210
		Ps	.020	.045	.126	.181	.265	.343	.455	.556
		NC	-	-	23	29	35	38	42	44
		Throw	5-9-18	9-14-23	15-21-29	18-23-39	20-25-35	22-27-38	23-29-41	25-30-43
	2 Slot	CFM/LF	60	90	150	180	220	250	285	315
		Ps	.012	.026	.073	.105	.156	.202	.262	.320
		NC	-	-	17	22	29	33	37	40
		Throw	4-9-20	9-15-28	16-24-36	20-28-39	24-31-44	27-33-47	29-35-50	30-37-52
3" Slot Width	1 Slot	CFM/LF	45	70	115	145	170	200	225	250
		Ps	.021	.051	.138	.219	.301	.416	.527	.650
		NC	-	-	21	29	34	38	42	44
		Throw	5-9-19	10-15-25	16-22-32	20-25-35	22-27-38	24-29-42	25-31-44	27-33-47
	2 Slot	CFM/LF	70	105	175	220	255	300	340	420
		Ps	.011	.025	.070	.111	.150	.207	.266	.406
		NC	-	-	16	23	28	33	37	43
		Throw	4-9-21	9-16-30	17-26-39	22-31-44	25-33-47	29-36-51	31-38-54	35-43-60

FORMATIONS PERFORMANCE DATA

1 SLOT COMBO BLADE HORIZONTAL THROW WITH METALAIRE PLENUM

One Slot — 1" Slot Width	Horizontal Throw	6" Round Inlet	2 ft.	CFM	20	40	60	80	100	120	140	160
				Ps	.004	.018	.040	.071	.111	.159	.217	.283
Pt	.005	.020	.046	.081	.127	.182	.248	.324				
NC	-	-	20	26	31	35	38	41				
Throw	1-3-7	4-7-11	7-10-14	9-11-16	10-13-18	11-14-19	12-15-21	13-16-22				
One Slot — 1" Slot Width <td rowspan="2">Horizontal Throw <td rowspan="2">6" Round Inlet <td rowspan="2">4 ft.</td> <td>CFM</td> <td>40</td> <td>80</td> <td>120</td> <td>160</td> <td>200</td> <td>240</td> <td>280</td> <td>320</td> </td></td>	Horizontal Throw <td rowspan="2">6" Round Inlet <td rowspan="2">4 ft.</td> <td>CFM</td> <td>40</td> <td>80</td> <td>120</td> <td>160</td> <td>200</td> <td>240</td> <td>280</td> <td>320</td> </td>	6" Round Inlet <td rowspan="2">4 ft.</td> <td>CFM</td> <td>40</td> <td>80</td> <td>120</td> <td>160</td> <td>200</td> <td>240</td> <td>280</td> <td>320</td>	4 ft.	CFM	40	80	120	160	200	240	280	320
				Ps	.005	.020	.044	.079	.123	.177	.241	.314
Pt	.008	.030	.068	.120	.188	.270	.368	.480				
NC	-	-	22	28	33	37	40	43				
Throw	2-4-9	6-9-16	9-14-19	13-16-22	14-18-25	16-19-27	17-21-30	18-22-32				
One Slot — 1" Slot Width <td rowspan="2">Horizontal Throw <td rowspan="2">6" Round Inlet <td rowspan="2">5 ft.</td> <td>CFM</td> <td>50</td> <td>100</td> <td>150</td> <td>200</td> <td>250</td> <td>300</td> <td>350</td> <td>400</td> </td></td>	Horizontal Throw <td rowspan="2">6" Round Inlet <td rowspan="2">5 ft.</td> <td>CFM</td> <td>50</td> <td>100</td> <td>150</td> <td>200</td> <td>250</td> <td>300</td> <td>350</td> <td>400</td> </td>	6" Round Inlet <td rowspan="2">5 ft.</td> <td>CFM</td> <td>50</td> <td>100</td> <td>150</td> <td>200</td> <td>250</td> <td>300</td> <td>350</td> <td>400</td>	5 ft.	CFM	50	100	150	200	250	300	350	400
				Ps	.005	.022	.049	.086	.135	.195	.265	.346
Pt	.009	.038	.085	.151	.236	.340	.463	.605				
NC	-	16	23	29	34	38	42	45				
Throw	2-5-11	8-13-18	13-18-22	17-21-25	19-24-28	21-26-31	23-28-33	24-30-35				
One Slot — 1" Slot Width <td rowspan="2">Horizontal Throw <td rowspan="2">8" Oval Inlet <td rowspan="2">2 ft.</td> <td>CFM</td> <td>20</td> <td>40</td> <td>60</td> <td>80</td> <td>100</td> <td>120</td> <td>140</td> <td>160</td> </td></td>	Horizontal Throw <td rowspan="2">8" Oval Inlet <td rowspan="2">2 ft.</td> <td>CFM</td> <td>20</td> <td>40</td> <td>60</td> <td>80</td> <td>100</td> <td>120</td> <td>140</td> <td>160</td> </td>	8" Oval Inlet <td rowspan="2">2 ft.</td> <td>CFM</td> <td>20</td> <td>40</td> <td>60</td> <td>80</td> <td>100</td> <td>120</td> <td>140</td> <td>160</td>	2 ft.	CFM	20	40	60	80	100	120	140	160
				Ps	.003	.011	.025	.045	.070	.101	.137	.179
Pt	.003	.012	.027	.049	.076	.109	.149	.194				
NC	-	-	-	21	26	31	35	39				
Throw	1-3-7	4-7-11	7-10-14	9-11-16	10-13-18	11-14-19	12-15-21	13-16-22				
One Slot — 1" Slot Width <td rowspan="2">Horizontal Throw <td rowspan="2">8" Oval Inlet <td rowspan="2">4 ft.</td> <td>CFM</td> <td>40</td> <td>80</td> <td>120</td> <td>160</td> <td>200</td> <td>240</td> <td>280</td> <td>320</td> </td></td>	Horizontal Throw <td rowspan="2">8" Oval Inlet <td rowspan="2">4 ft.</td> <td>CFM</td> <td>40</td> <td>80</td> <td>120</td> <td>160</td> <td>200</td> <td>240</td> <td>280</td> <td>320</td> </td>	8" Oval Inlet <td rowspan="2">4 ft.</td> <td>CFM</td> <td>40</td> <td>80</td> <td>120</td> <td>160</td> <td>200</td> <td>240</td> <td>280</td> <td>320</td>	4 ft.	CFM	40	80	120	160	200	240	280	320
				Ps	.003	.012	.028	.050	.078	.112	.152	.199
Pt	.004	.016	.036	.065	.101	.146	.198	.259				
NC	-	-	17	23	28	33	37	41				
Throw	2-4-9	6-9-16	9-14-19	13-16-22	14-18-25	16-19-27	17-21-30	18-22-32				
One Slot — 1" Slot Width <td rowspan="2">Horizontal Throw <td rowspan="2">8" Oval Inlet <td rowspan="2">5 ft.</td> <td>CFM</td> <td>50</td> <td>100</td> <td>150</td> <td>200</td> <td>250</td> <td>300</td> <td>350</td> <td>400</td> </td></td>	Horizontal Throw <td rowspan="2">8" Oval Inlet <td rowspan="2">5 ft.</td> <td>CFM</td> <td>50</td> <td>100</td> <td>150</td> <td>200</td> <td>250</td> <td>300</td> <td>350</td> <td>400</td> </td>	8" Oval Inlet <td rowspan="2">5 ft.</td> <td>CFM</td> <td>50</td> <td>100</td> <td>150</td> <td>200</td> <td>250</td> <td>300</td> <td>350</td> <td>400</td>	5 ft.	CFM	50	100	150	200	250	300	350	400
				Ps	.003	.014	.031	.055	.086	.123	.168	.219
Pt	.005	.020	.044	.078	.122	.176	.239	.312				
NC	-	-	18	24	30	35	39	42				
Throw	2-5-11	8-13-18	13-18-22	17-21-25	19-24-28	21-26-31	23-28-33	24-30-35				

FORMATIONS PERFORMANCE DATA

1 SLOT COMBO BLADE HORIZONTAL THROW WITH METALAIRE PLENUM

One Slot — 1.5" Slot Width	Horizontal Throw	6" Round Inlet	2 ft.	CFM	30	60	90	120	150	180	210	240
				Ps	.009	.035	.078	.139	.217	.313	.426	.557
Pt	.010	.041	.091	.162	.254	.366	.498	.650				
NC	-	-	21	27	32	36	39	42				
Throw	2-3-8	5-8-14	8-12-17	11-14-19	13-15-22	14-17-24	15-18-26	16-19-27				
One Slot — 1.5" Slot Width <td rowspan="2">Horizontal Throw <td rowspan="2">6" Round Inlet <td rowspan="2">4 ft.</td> <td>CFM</td> <td>60</td> <td>120</td> <td>180</td> <td>240</td> <td>300</td> <td>360</td> <td>420</td> <td>480</td> </td></td>	Horizontal Throw <td rowspan="2">6" Round Inlet <td rowspan="2">4 ft.</td> <td>CFM</td> <td>60</td> <td>120</td> <td>180</td> <td>240</td> <td>300</td> <td>360</td> <td>420</td> <td>480</td> </td>	6" Round Inlet <td rowspan="2">4 ft.</td> <td>CFM</td> <td>60</td> <td>120</td> <td>180</td> <td>240</td> <td>300</td> <td>360</td> <td>420</td> <td>480</td>	4 ft.	CFM	60	120	180	240	300	360	420	480
				Ps	.010	.039	.087	.155	.242	.348	.474	.619
Pt	.015	.062	.139	.248	.387	.558	.759	.991				
NC	-	16	23	29	34	38	41	44				
Throw	2-5-12	8-12-19	12-17-24	15-19-27	18-22-31	19-24-34	21-26-36	22-27-39				
One Slot — 1.5" Slot Width <td rowspan="2">Horizontal Throw <td rowspan="2">6" Round Inlet <td rowspan="2">5 ft.</td> <td>CFM</td> <td>75</td> <td>150</td> <td>225</td> <td>300</td> <td>375</td> <td>450</td> <td>525</td> <td>600</td> </td></td>	Horizontal Throw <td rowspan="2">6" Round Inlet <td rowspan="2">5 ft.</td> <td>CFM</td> <td>75</td> <td>150</td> <td>225</td> <td>300</td> <td>375</td> <td>450</td> <td>525</td> <td>600</td> </td>	6" Round Inlet <td rowspan="2">5 ft.</td> <td>CFM</td> <td>75</td> <td>150</td> <td>225</td> <td>300</td> <td>375</td> <td>450</td> <td>525</td> <td>600</td>	5 ft.	CFM	75	150	225	300	375	450	525	600
				Ps	.011	.043	.096	.170	.266	.383	.521	.680
Pt	.020	.079	.178	.316	.493	.710	.967	1.263				
NC	-	17	25	30	35	39	43	46				
Throw	3-7-13	10-16-22	16-23-27	21-26-31	24-29-34	26-32-38	28-34-41	30-37-43				
One Slot — 1.5" Slot Width <td rowspan="2">Horizontal Throw <td rowspan="2">8" Oval Inlet <td rowspan="2">2 ft.</td> <td>CFM</td> <td>30</td> <td>60</td> <td>90</td> <td>120</td> <td>150</td> <td>180</td> <td>210</td> <td>240</td> </td></td>	Horizontal Throw <td rowspan="2">8" Oval Inlet <td rowspan="2">2 ft.</td> <td>CFM</td> <td>30</td> <td>60</td> <td>90</td> <td>120</td> <td>150</td> <td>180</td> <td>210</td> <td>240</td> </td>	8" Oval Inlet <td rowspan="2">2 ft.</td> <td>CFM</td> <td>30</td> <td>60</td> <td>90</td> <td>120</td> <td>150</td> <td>180</td> <td>210</td> <td>240</td>	2 ft.	CFM	30	60	90	120	150	180	210	240
				Ps	.006	.022	.050	.088	.138	.198	.270	.353
Pt	.006	.024	.054	.097	.151	.217	.296	.386				
NC	-	-	16	22	28	32	37	40				
Throw	2-3-8	5-8-14	8-12-17	11-14-19	13-15-22	14-17-24	15-18-26	16-19-27				
One Slot — 1.5" Slot Width <td rowspan="2">Horizontal Throw <td rowspan="2">8" Oval Inlet <td rowspan="2">4 ft.</td> <td>CFM</td> <td>60</td> <td>120</td> <td>180</td> <td>240</td> <td>300</td> <td>360</td> <td>420</td> <td>480</td> </td></td>	Horizontal Throw <td rowspan="2">8" Oval Inlet <td rowspan="2">4 ft.</td> <td>CFM</td> <td>60</td> <td>120</td> <td>180</td> <td>240</td> <td>300</td> <td>360</td> <td>420</td> <td>480</td> </td>	8" Oval Inlet <td rowspan="2">4 ft.</td> <td>CFM</td> <td>60</td> <td>120</td> <td>180</td> <td>240</td> <td>300</td> <td>360</td> <td>420</td> <td>480</td>	4 ft.	CFM	60	120	180	240	300	360	420	480
				Ps	.006	.024	.055	.098	.153	.220	.300	.392
Pt	.008	.033	.074	.131	.205	.296	.403	.526				
NC	-	-	18	24	30	34	39	42				
Throw	2-5-12	8-12-19	12-17-24	15-19-27	18-22-31	19-24-34	21-26-36	22-27-39				
One Slot — 1.5" Slot Width <td rowspan="2">Horizontal Throw <td rowspan="2">8" Oval Inlet <td rowspan="2">5 ft.</td> <td>CFM</td> <td>75</td> <td>150</td> <td>225</td> <td>300</td> <td>375</td> <td>450</td> <td>525</td> <td>600</td> </td></td>	Horizontal Throw <td rowspan="2">8" Oval Inlet <td rowspan="2">5 ft.</td> <td>CFM</td> <td>75</td> <td>150</td> <td>225</td> <td>300</td> <td>375</td> <td>450</td> <td>525</td> <td>600</td> </td>	8" Oval Inlet <td rowspan="2">5 ft.</td> <td>CFM</td> <td>75</td> <td>150</td> <td>225</td> <td>300</td> <td>375</td> <td>450</td> <td>525</td> <td>600</td>	5 ft.	CFM	75	150	225	300	375	450	525	600
				Ps	.007	.027	.061	.108	.168	.242	.330	.431
Pt	.010	.040	.090	.160	.250	.360	.490	.640				
NC	-	-	19	26	31	36	40	44				
Throw	3-7-13	10-16-22	16-23-27	21-26-31	24-29-34	26-32-38	28-34-41	30-37-43				

FORMATIONS PERFORMANCE DATA

1 SLOT COMBO BLADE HORIZONTAL THROW WITH METALAIRE PLENUM

One Slot — 2" Slot Width	Horizontal Throw	10" Oval Inlet	2 ft.	CFM	70	100	130	160	190	220	250	280
				Ps	.022	.044	.075	.113	.159	.213	.276	.346
Pt	.023	.047	.080	.121	.170	.228	.294	.369				
NC	-	-	20	25	30	33	37	40				
Throw	5-8-15	8-12-18	10-14-20	13-16-22	14-17-24	15-19-26	16-20-28	17-21-30				
One Slot — 2" Slot Width	Horizontal Throw	10" Oval Inlet	4 ft.	CFM	140	200	260	320	380	440	500	560
				Ps	.024	.049	.083	.125	.177	.237	.306	.384
Pt	.030	.061	.103	.156	.220	.295	.381	.477				
NC	-	17	22	27	3	35	39	42				
Throw	8-12-21	11-17-25	14-20-29	18-22-32	20-24-34	21-26-37	23-28-40	24-30-42				
One Slot — 2" Slot Width	Horizontal Throw	10" Oval Inlet	5 ft.	CFM	175	250	325	400	475	550	625	700
				Ps	.026	.054	.091	.138	.195	.261	.337	.423
Pt	.036	.072	.122	.186	.262	.351	.453	.568				
NC	-	18	24	29	33	37	40	43				
Throw	10-16-23	15-22-28	19-27-32	24-30-35	27-33-39	29-35-41	31-38-44	32-40-47				
One Slot — 2" Slot Width	Horizontal Throw	12" Oval Inlet	2 ft.	CFM	70	100	130	160	190	220	250	280
				Ps	.020	.041	.069	.104	.147	.197	.255	.320
Pt	.021	.043	.072	.109	.154	.206	.266	.334				
NC	-	-	20	25	30	33	37	40				
Throw	5-8-15	8-12-18	10-14-20	13-16-22	14-17-24	15-19-26	16-20-28	17-21-30				
One Slot — 2" Slot Width	Horizontal Throw	12" Oval Inlet	4 ft.	CFM	140	200	260	320	380	440	500	560
				Ps	.022	.045	.077	.116	.164	.219	.283	.355
Pt	.026	.052	.089	.134	.189	.254	.328	.412				
NC	-	17	22	27	32	35	39	42				
Throw	8-12-21	11-17-25	14-20-29	18-22-32	20-24-34	21-26-37	23-38-40	24-30-42				
One Slot — 2" Slot Width	Horizontal Throw	12" Oval Inlet	5 ft.	CFM	175	250	325	400	475	550	625	700
				Ps	.024	.050	.084	.128	.180	.241	.311	.391
Pt	.030	.061	.103	.156	.220	.296	.382	.479				
NC	-	18	24	29	33	37	40	43				
Throw	10-16-23	15-22-28	19-27-32	24-30-35	27-33-39	29-35-41	31-38-44	32-40-47				

FORMATIONS PERFORMANCE DATA

1 SLOT COMBO BLADE HORIZONTAL THROW WITH METALAIRE PLENUM

One Slot — 2.5" Slot Width	Horizontal Throw	10" Oval Inlet	2 ft.	CFM	65	110	150	190	235	275	320	360
				Ps	.016	.042	.081	.133	.197	.274	.364	.467
Pt	.017	.046	.088	.143	.214	.297	.394	.505				
NC	-	-	19	24	29	34	37	41				
Throw	3-4-8	4-6-12	6-9-17	7-11-22	9-13-25	11-16-27	12-18-29	14-21-31				
One Slot — 2.5" Slot Width <td rowspan="2">Horizontal Throw <td rowspan="2">10" Oval Inlet <td rowspan="2">4 ft.</td> <td>CFM</td> <td>130</td> <td>215</td> <td>300</td> <td>385</td> <td>470</td> <td>550</td> <td>635</td> <td>720</td> </td></td>	Horizontal Throw <td rowspan="2">10" Oval Inlet <td rowspan="2">4 ft.</td> <td>CFM</td> <td>130</td> <td>215</td> <td>300</td> <td>385</td> <td>470</td> <td>550</td> <td>635</td> <td>720</td> </td>	10" Oval Inlet <td rowspan="2">4 ft.</td> <td>CFM</td> <td>130</td> <td>215</td> <td>300</td> <td>385</td> <td>470</td> <td>550</td> <td>635</td> <td>720</td>	4 ft.	CFM	130	215	300	385	470	550	635	720
				Ps	.017	.047	.090	.147	.219	.305	.404	.518
Pt	.022	.060	.117	.191	.285	.395	.524	.672				
NC	-	-	21	26	31	36	39	43				
Throw	4-5-11	6-9-18	8-12-24	10-16-31	13-19-35	15-23-38	17-26-41	20-29-44				
One Slot — 2.5" Slot Width <td rowspan="2">Horizontal Throw <td rowspan="2">10" Oval Inlet <td rowspan="2">5 ft.</td> <td>CFM</td> <td>165</td> <td>270</td> <td>375</td> <td>480</td> <td>585</td> <td>690</td> <td>795</td> <td>900</td> </td></td>	Horizontal Throw <td rowspan="2">10" Oval Inlet <td rowspan="2">5 ft.</td> <td>CFM</td> <td>165</td> <td>270</td> <td>375</td> <td>480</td> <td>585</td> <td>690</td> <td>795</td> <td>900</td> </td>	10" Oval Inlet <td rowspan="2">5 ft.</td> <td>CFM</td> <td>165</td> <td>270</td> <td>375</td> <td>480</td> <td>585</td> <td>690</td> <td>795</td> <td>900</td>	5 ft.	CFM	165	270	375	480	585	690	795	900
				Ps	.019	.051	.099	.162	.241	.335	.445	.570
Pt	.027	.073	.141	.231	.343	.477	.633	.811				
NC	-	15	22	28	33	37	41	44				
Throw	5-7-12	8-12-20	11-16-27	14-21-35	17-26-39	20-30-43	23-35-46	26-39-49				
One Slot — 2.5" Slot Width <td rowspan="2">Horizontal Throw <td rowspan="2">12" Oval Inlet <td rowspan="2">2 ft.</td> <td>CFM</td> <td>65</td> <td>110</td> <td>150</td> <td>190</td> <td>235</td> <td>275</td> <td>320</td> <td>360</td> </td></td>	Horizontal Throw <td rowspan="2">12" Oval Inlet <td rowspan="2">2 ft.</td> <td>CFM</td> <td>65</td> <td>110</td> <td>150</td> <td>190</td> <td>235</td> <td>275</td> <td>320</td> <td>360</td> </td>	12" Oval Inlet <td rowspan="2">2 ft.</td> <td>CFM</td> <td>65</td> <td>110</td> <td>150</td> <td>190</td> <td>235</td> <td>275</td> <td>320</td> <td>360</td>	2 ft.	CFM	65	110	150	190	235	275	320	360
				Ps	.015	.040	.076	.125	.186	.259	.344	.440
Pt	.016	.042	.080	.132	.196	.272	.362	.464				
NC	-	-	19	24	29	34	37	41				
Throw	3-4-8	4-6-12	6-9-17	7-11-22	9-13-25	11-16-27	12-18-29	14-21-31				
One Slot — 2.5" Slot Width <td rowspan="2">Horizontal Throw <td rowspan="2">12" Oval Inlet <td rowspan="2">4 ft.</td> <td>CFM</td> <td>130</td> <td>215</td> <td>300</td> <td>385</td> <td>470</td> <td>550</td> <td>635</td> <td>720</td> </td></td>	Horizontal Throw <td rowspan="2">12" Oval Inlet <td rowspan="2">4 ft.</td> <td>CFM</td> <td>130</td> <td>215</td> <td>300</td> <td>385</td> <td>470</td> <td>550</td> <td>635</td> <td>720</td> </td>	12" Oval Inlet <td rowspan="2">4 ft.</td> <td>CFM</td> <td>130</td> <td>215</td> <td>300</td> <td>385</td> <td>470</td> <td>550</td> <td>635</td> <td>720</td>	4 ft.	CFM	130	215	300	385	470	550	635	720
				Ps	.016	.044	.085	.139	.207	.288	.382	.489
Pt	.019	.052	.101	.166	.246	.342	.454	.582				
NC	-	-	21	26	31	36	39	43				
Throw	4-5-11	6-9-18	8-12-24	10-16-31	13-19-35	15-23-38	17-26-41	20-29-44				
One Slot — 2.5" Slot Width <td rowspan="2">Horizontal Throw <td rowspan="2">12" Oval Inlet <td rowspan="2">5 ft.</td> <td>CFM</td> <td>165</td> <td>270</td> <td>375</td> <td>480</td> <td>585</td> <td>690</td> <td>795</td> <td>900</td> </td></td>	Horizontal Throw <td rowspan="2">12" Oval Inlet <td rowspan="2">5 ft.</td> <td>CFM</td> <td>165</td> <td>270</td> <td>375</td> <td>480</td> <td>585</td> <td>690</td> <td>795</td> <td>900</td> </td>	12" Oval Inlet <td rowspan="2">5 ft.</td> <td>CFM</td> <td>165</td> <td>270</td> <td>375</td> <td>480</td> <td>585</td> <td>690</td> <td>795</td> <td>900</td>	5 ft.	CFM	165	270	375	480	585	690	795	900
				Ps	.018	.048	.093	.153	.227	.316	.420	.538
Pt	.023	.062	.119	.194	.289	.402	.533	.684				
NC	-	15	22	28	33	37	41	44				
Throw	5-7-12	8-12-20	11-16-27	14-21-35	17-26-39	20-30-43	23-35-46	26-39-49				

FORMATIONS PERFORMANCE DATA

1 SLOT COMBO BLADE HORIZONTAL THROW WITH METALAIRE PLENUM

One Slot — 3" Slot Width	Horizontal Throw	10" Oval Inlet	2 ft.	CFM	135	180	220	260	305	345	390	430					
				Ps	.032	.055	.084	.119	.160	.207	.260	.320					
				Pt	.037	.064	.098	.139	.187	.242	.305	.374					
				NC	-	18	23	28	31	35	38	40					
				Throw	5-7-14	6-9-19	8-12-23	9-14-26	11-16-28	12-18-30	14-20-32	15-23-34					
		12" Oval Inlet	4 ft.	CFM	270	355	440	525	610	690	775	860					
						Ps	.036	.061	.093	.132	.177	.230	.289	.355			
						Pt	.057	.098	.150	.214	.288	.371	.467	.575			
						NC	-	20	25	30	33	37	40	42			
						Throw	7-10-20	9-13-26	11-16-33	13-19-37	15-23-40	17-26-43	19-29-45	21-32-48			
				5 ft.	CFM	340	445	550	655	760	865	970	1075				
						Ps	.039	.067	.102	.145	.195	.253	.318	.391			
						Pt	.073	.126	.192	.272	.367	.475	.597	.734			
						NC	16	22	27	31	35	38	41	44			
						Throw	9-14-23	12-18-30	15-22-37	17-26-42	20-30-45	23-35-48	26-39-51	29-43-53			
One Slot — 3" Slot Width	Horizontal Throw		12" Oval Inlet	2 ft.	CFM	135	180	220	260	305	345	390	430				
					Ps	.030	.052	.079	.112	.151	.195	.246	.302				
					Pt	.033	.057	.088	.124	.167	.217	.273	.335				
					NC	-	18	23	28	31	35	38	40				
					Throw	5-7-14	6-9-19	8-12-23	9-14-26	11-16-28	12-18-30	14-20-32	15-23-34				
							4 ft.	CFM	270	355	440	525	610	690	775	860	
									Ps	.034	.057	.088	.124	.167	.217	.273	.335
									Pt	.047	.080	.122	.174	.234	.302	.381	.468
									NC	-	20	25	30	33	37	40	42
									Throw	7-10-20	9-13-26	11-16-33	13-19-37	15-23-40	17-26-43	19-29-45	21-32-48
						5 ft.	CFM	340	445	550	655	760	865	970	1075		
								Ps	.037	.063	.096	.137	.184	.239	.300	.369	
								Pt	.058	.099	.151	.214	.288	.373	.469	.576	
								NC	16	22	27	31	35	38	41	44	
								Throw	9-14-23	12-18-30	15-22-37	17-26-42	20-30-45	23-35-48	26-39-51	29-43-53	

FORMATIONS PERFORMANCE DATA

1 SLOT COMBO BLADE VERTICAL THROW WITH METALAIRE PLENUM

One Slot — 1" Slot Width	Vertical Throw	8" Oval Inlet	2 ft.	CFM	70	110	155	200	240	285	325	370
				Ps	.009	.025	.048	.078	.116	.161	.213	.273
Pt	.012	.032	.062	.101	.149	.208	.275	.353				
NC	-	20	26	30	34	37	40	43				
Throw	4-5-10	6-9-13	8-11-15	10-12-18	11-14-19	12-15-21	13-16-23	14-17-24				
One Slot — 1" Slot Width <td rowspan="2">Vertical Throw <td rowspan="2">8" Oval Inlet <td rowspan="2">4 ft.</td> <td>CFM</td> <td>140</td> <td>225</td> <td>310</td> <td>395</td> <td>480</td> <td>570</td> <td>655</td> <td>740</td> </td></td>	Vertical Throw <td rowspan="2">8" Oval Inlet <td rowspan="2">4 ft.</td> <td>CFM</td> <td>140</td> <td>225</td> <td>310</td> <td>395</td> <td>480</td> <td>570</td> <td>655</td> <td>740</td> </td>	8" Oval Inlet <td rowspan="2">4 ft.</td> <td>CFM</td> <td>140</td> <td>225</td> <td>310</td> <td>395</td> <td>480</td> <td>570</td> <td>655</td> <td>740</td>	4 ft.	CFM	140	225	310	395	480	570	655	740
				Ps	.014	.036	.068	.112	.166	.230	.305	.390
Pt	.025	.065	.124	.203	.300	.419	.555	.709				
NC	-	22	28	32	36	39	42	45				
Throw	5-8-15	8-13-19	12-15-22	14-18-25	16-19-27	17-21-30	18-23-32	20-24-4				
One Slot — 1" Slot Width <td rowspan="2">Vertical Throw <td rowspan="2">8" Oval Inlet <td rowspan="2">5 ft.</td> <td>CFM</td> <td>175</td> <td>280</td> <td>390</td> <td>495</td> <td>605</td> <td>710</td> <td>820</td> <td>925</td> </td></td>	Vertical Throw <td rowspan="2">8" Oval Inlet <td rowspan="2">5 ft.</td> <td>CFM</td> <td>175</td> <td>280</td> <td>390</td> <td>495</td> <td>605</td> <td>710</td> <td>820</td> <td>925</td> </td>	8" Oval Inlet <td rowspan="2">5 ft.</td> <td>CFM</td> <td>175</td> <td>280</td> <td>390</td> <td>495</td> <td>605</td> <td>710</td> <td>820</td> <td>925</td>	5 ft.	CFM	175	280	390	495	605	710	820	925
				Ps	.018	.046	.089	.145	.215	.299	.396	.507
Pt	.035	.092	.178	.288	.428	.592	.788	1.005				
NC	15	23	29	34	38	41	44	46				
Throw	7-10-16	11-17-21	15-21-24	19-23-28	21-26-31	23-28-33	25-30-36	26-32-38				
One Slot — 1" Slot Width <td rowspan="2">Vertical Throw <td rowspan="2">10" Oval Inlet <td rowspan="2">2 ft.</td> <td>CFM</td> <td>70</td> <td>110</td> <td>155</td> <td>200</td> <td>240</td> <td>285</td> <td>325</td> <td>370</td> </td></td>	Vertical Throw <td rowspan="2">10" Oval Inlet <td rowspan="2">2 ft.</td> <td>CFM</td> <td>70</td> <td>110</td> <td>155</td> <td>200</td> <td>240</td> <td>285</td> <td>325</td> <td>370</td> </td>	10" Oval Inlet <td rowspan="2">2 ft.</td> <td>CFM</td> <td>70</td> <td>110</td> <td>155</td> <td>200</td> <td>240</td> <td>285</td> <td>325</td> <td>370</td>	2 ft.	CFM	70	110	155	200	240	285	325	370
				Ps	.012	.031	.060	.097	.144	.200	.204	.340
Pt	.013	.035	.067	.109	.161	.225	.223	.381				
NC	-	17	22	26	29	32	33	36				
Throw	4-5-10	6-9-13	8-11-15	10-12-18	11-14-19	12-15-21	13-16-23	14-17-24				
One Slot — 1" Slot Width <td rowspan="2">Vertical Throw <td rowspan="2">10" Oval Inlet <td rowspan="2">4 ft.</td> <td>CFM</td> <td>140</td> <td>225</td> <td>310</td> <td>395</td> <td>480</td> <td>570</td> <td>655</td> <td>740</td> </td></td>	Vertical Throw <td rowspan="2">10" Oval Inlet <td rowspan="2">4 ft.</td> <td>CFM</td> <td>140</td> <td>225</td> <td>310</td> <td>395</td> <td>480</td> <td>570</td> <td>655</td> <td>740</td> </td>	10" Oval Inlet <td rowspan="2">4 ft.</td> <td>CFM</td> <td>140</td> <td>225</td> <td>310</td> <td>395</td> <td>480</td> <td>570</td> <td>655</td> <td>740</td>	4 ft.	CFM	140	225	310	395	480	570	655	740
				Ps	.017	.045	.085	.139	.206	.286	.291	.486
Pt	.023	.060	.114	.186	.275	.383	.368	.649				
NC	-	19	24	28	31	34	35	38				
Throw	5-8-15	8-13-19	12-15-22	14-18-25	16-19-27	17-21-30	18-23-32	20-24-34				
One Slot — 1" Slot Width <td rowspan="2">Vertical Throw <td rowspan="2">10" Oval Inlet <td rowspan="2">5 ft.</td> <td>CFM</td> <td>175</td> <td>280</td> <td>390</td> <td>495</td> <td>605</td> <td>710</td> <td>820</td> <td>925</td> </td></td>	Vertical Throw <td rowspan="2">10" Oval Inlet <td rowspan="2">5 ft.</td> <td>CFM</td> <td>175</td> <td>280</td> <td>390</td> <td>495</td> <td>605</td> <td>710</td> <td>820</td> <td>925</td> </td>	10" Oval Inlet <td rowspan="2">5 ft.</td> <td>CFM</td> <td>175</td> <td>280</td> <td>390</td> <td>495</td> <td>605</td> <td>710</td> <td>820</td> <td>925</td>	5 ft.	CFM	175	280	390	495	605	710	820	925
				Ps	.022	.058	.111	.181	.268	.372	.379	.632
Pt	.031	.081	.156	.254	.377	.522	.500	.886				
NC	-	20	26	30	33	35	36	40				
Throw	7-10-16	11-17-21	15-21-24	19-23-28	21-26-31	23-28-33	25-30-36	26-32-38				

FORMATIONS PERFORMANCE DATA

1 SLOT COMBO BLADE VERTICAL THROW WITH METALAIRE PLENUM

One Slot — 1" Slot Width	Vertical Throw	12" Oval Inlet	2 ft.	CFM	70	110	155	200	240	285	325	370
				Ps	.009	.024	.046	.075	.111	.154	.204	.261
Pt	.010	.026	.050	.082	.121	.168	.223	.286				
NC	-	-	18	23	27	30	33	35				
Throw	4-5-10	6-9-13	8-11-15	10-12-18	11-14-19	12-15-21	13-16-23	14-17-24				
One Slot — 1.5" Slot Width	Vertical Throw	8" Oval Inlet	2 ft.	CFM	80	140	200	260	320	380	440	500
				Ps	.012	.037	.075	.127	.192	.270	.363	.468
Pt	.016	.048	.098	.166	.251	.354	.475	.614				
NC	-	18	25	30	34	37	40	42				
Throw	3-5-10	6-9-15	9-12-18	11-14-20	13-16-22	14-17-24	15-18-26	16-20-28				
One Slot — 1.5" Slot Width	Vertical Throw	8" Oval Inlet	4 ft.	CFM	160	280	400	520	640	760	880	1000
				Ps	.017	.052	.107	.181	.274	.386	.518	.669
Pt	0.032	0.098	0.2	0.338	0.512	0.723	0.969	1.251				
NC	-	20	27	32	36	39	42	44				
Throw	5-7-15	9-13-21	12-18-25	16-20-28	18-22-31	20-24-34	21-26-37	23-28-39				
One Slot — 1.5" Slot Width	Vertical Throw	8" Oval Inlet	5 ft.	CFM	200	350	500	650	800	950	1100	1250
				Ps	.022	.068	.139	.235	.356	.502	.673	.869
Pt	.046	.139	.285	.481	.729	1.028	1.378	1.779				
NC	-	22	28	39	37	40	43	46				
Throw	7-10-16	11-17-23	16-24-28	21-27-32	24-30-35	27-33-38	29-35-41	30-37-44				

FORMATIONS PERFORMANCE DATA

1 SLOT COMBO BLADE VERTICAL THROW WITH METALAIRE PLENUM

One Slot — 1.5" Slot Width	Vertical Throw	10" Oval Inlet	2 ft.	CFM	80	140	200	260	320	380	440	500
				Ps	.008	.026	.052	.088	.134	.189	.253	.326
Pt	.010	.031	.064	.108	.164	.231	.310	.401				
NC	-	15	21	26	29	32	34	36				
Throw	3-5-10	6-9-15	9-12-18	11-14-20	13-16-22	14-17-24	15-18-26	16-20-28				
One Slot — 1.5" Slot Width <td rowspan="2">Vertical Throw <td rowspan="2">10" Oval Inlet <td rowspan="2">4 ft.</td> <td>CFM</td> <td>160</td> <td>280</td> <td>400</td> <td>520</td> <td>640</td> <td>760</td> <td>880</td> <td>1000</td> </td></td>	Vertical Throw <td rowspan="2">10" Oval Inlet <td rowspan="2">4 ft.</td> <td>CFM</td> <td>160</td> <td>280</td> <td>400</td> <td>520</td> <td>640</td> <td>760</td> <td>880</td> <td>1000</td> </td>	10" Oval Inlet <td rowspan="2">4 ft.</td> <td>CFM</td> <td>160</td> <td>280</td> <td>400</td> <td>520</td> <td>640</td> <td>760</td> <td>880</td> <td>1000</td>	4 ft.	CFM	160	280	400	520	640	760	880	1000
				Ps	.012	.037	.075	.126	.191	.269	.361	.466
Pt	.020	.060	.122	.206	.313	.441	.591	.763				
NC	-	17	23	28	31	34	36	38				
Throw	5-7-15	9-13-21	12-18-25	16-20-28	18-22-31	20-24-34	21-26-37	23-28-39				
One Slot — 1.5" Slot Width <td rowspan="2">Vertical Throw <td rowspan="2">10" Oval Inlet <td rowspan="2">5 ft.</td> <td>CFM</td> <td>200</td> <td>350</td> <td>500</td> <td>650</td> <td>800</td> <td>950</td> <td>1100</td> <td>1250</td> </td></td>	Vertical Throw <td rowspan="2">10" Oval Inlet <td rowspan="2">5 ft.</td> <td>CFM</td> <td>200</td> <td>350</td> <td>500</td> <td>650</td> <td>800</td> <td>950</td> <td>1100</td> <td>1250</td> </td>	10" Oval Inlet <td rowspan="2">5 ft.</td> <td>CFM</td> <td>200</td> <td>350</td> <td>500</td> <td>650</td> <td>800</td> <td>950</td> <td>1100</td> <td>1250</td>	5 ft.	CFM	200	350	500	650	800	950	1100	1250
				Ps	.016	.048	.097	.164	.248	.350	.469	.606
Pt	.027	.084	.171	.289	.438	.618	.829	1.070				
NC	-	19	25	29	32	35	37	40				
Throw	7-10-16	11-17-23	16-24-28	21-27-32	24-30-35	27-33-38	29-35-41	30-37-44				
One Slot — 1.5" Slot Width <td rowspan="2">Vertical Throw <td rowspan="2">12" Oval Inlet <td rowspan="2">2 ft.</td> <td>CFM</td> <td>80</td> <td>140</td> <td>200</td> <td>260</td> <td>320</td> <td>380</td> <td>440</td> <td>500</td> </td></td>	Vertical Throw <td rowspan="2">12" Oval Inlet <td rowspan="2">2 ft.</td> <td>CFM</td> <td>80</td> <td>140</td> <td>200</td> <td>260</td> <td>320</td> <td>380</td> <td>440</td> <td>500</td> </td>	12" Oval Inlet <td rowspan="2">2 ft.</td> <td>CFM</td> <td>80</td> <td>140</td> <td>200</td> <td>260</td> <td>320</td> <td>380</td> <td>440</td> <td>500</td>	2 ft.	CFM	80	140	200	260	320	380	440	500
				Ps	.006	.020	.040	.068	.103	.145	.194	.250
Pt	.008	.023	.047	.080	.121	.170	.229	.295				
NC	-	-	17	22	26	30	32	35				
Throw	3-5-10	6-9-15	9-12-18	11-14-20	13-16-22	14-17-24	15-18-26	16-20-28				
One Slot — 1.5" Slot Width <td rowspan="2">Vertical Throw <td rowspan="2">12" Oval Inlet <td rowspan="2">4 ft.</td> <td>CFM</td> <td>160</td> <td>280</td> <td>400</td> <td>520</td> <td>640</td> <td>760</td> <td>880</td> <td>1000</td> </td></td>	Vertical Throw <td rowspan="2">12" Oval Inlet <td rowspan="2">4 ft.</td> <td>CFM</td> <td>160</td> <td>280</td> <td>400</td> <td>520</td> <td>640</td> <td>760</td> <td>880</td> <td>1000</td> </td>	12" Oval Inlet <td rowspan="2">4 ft.</td> <td>CFM</td> <td>160</td> <td>280</td> <td>400</td> <td>520</td> <td>640</td> <td>760</td> <td>880</td> <td>1000</td>	4 ft.	CFM	160	280	400	520	640	760	880	1000
				Ps	.009	.028	.057	.097	.146	.206	.277	.358
Pt	.014	.042	.086	.145	.220	.310	.416	.537				
NC	-	-	19	24	28	32	34	37				
Throw	5-7-15	9-13-21	12-18-25	16-20-28	18-22-31	20-24-34	21-26-37	23-28-39				
One Slot — 1.5" Slot Width <td rowspan="2">Vertical Throw <td rowspan="2">12" Oval Inlet <td rowspan="2">5 ft.</td> <td>CFM</td> <td>200</td> <td>350</td> <td>500</td> <td>650</td> <td>800</td> <td>950</td> <td>1100</td> <td>1250</td> </td></td>	Vertical Throw <td rowspan="2">12" Oval Inlet <td rowspan="2">5 ft.</td> <td>CFM</td> <td>200</td> <td>350</td> <td>500</td> <td>650</td> <td>800</td> <td>950</td> <td>1100</td> <td>1250</td> </td>	12" Oval Inlet <td rowspan="2">5 ft.</td> <td>CFM</td> <td>200</td> <td>350</td> <td>500</td> <td>650</td> <td>800</td> <td>950</td> <td>1100</td> <td>1250</td>	5 ft.	CFM	200	350	500	650	800	950	1100	1250
				Ps	.012	.036	.074	.126	.190	.268	.360	.465
Pt	.019	.058	.119	.202	.305	.431	.577	.746				
NC	-	-	21	26	30	33	36	38				
Throw	7-10-16	11-17-23	16-24-28	21-27-32	24-30-35	27-33-38	29-35-41	30-37-44				

FORMATIONS PERFORMANCE DATA

1 SLOT COMBO BLADE VERTICAL THROW WITH METALAIRE PLENUM

One Slot — 2" Slot Width	Vertical Throw	8" Oval Inlet	2 ft.	CFM	70	125	180	235	290	350	405	460
				Ps	.007	.024	.051	.088	.134	.191	.257	.333
Pt	.010	.033	.070	.120	.183	.262	.353	.456				
NC	-	19	25	31	35	38	41	44				
Throw	2-3-7	4-6-12	6-9-18	8-12-22	10-15-24	12-17-26	13-20-28	15-21-30				
One Slot — 2" Slot Width	Vertical Throw	8" Oval Inlet	4 ft.	CFM	135	250	360	470	585	695	810	920
				Ps	.010	.035	.073	.125	.192	.272	.367	.476
One Slot — 2" Slot Width	Vertical Throw	8" Oval Inlet	5 ft.	Pt	.021	.071	.148	.254	.391	.554	.749	.969
				NC	-	21	27	33	37	40	43	46
One Slot — 2" Slot Width	Vertical Throw	8" Oval Inlet	Throw	3-5-10	6-9-18	8-13-25	11-17-31	14-21-34	16-25-37	19-28-40	22-30-43	
				CFM	170	310	450	590	730	870	1010	1150
One Slot — 2" Slot Width	Vertical Throw	10" Oval Inlet	2 ft.	Ps	.014	.045	.095	.163	.249	.354	.477	.619
				Pt	.030	.101	.213	.366	.560	.795	1.071	1.389
One Slot — 2" Slot Width	Vertical Throw	10" Oval Inlet	NC	-	22	29	34	38	41	44	47	
				Throw	4-6-11	8-12-20	11-17-28	15-22-34	18-28-38	22-33-42	26-38-45	29-41-48
One Slot — 2" Slot Width	Vertical Throw	10" Oval Inlet	4 ft.	CFM	135	250	360	470	585	695	810	920
				Ps	.008	.028	.059	.102	.156	.221	.298	.387
One Slot — 2" Slot Width	Vertical Throw	10" Oval Inlet	5 ft.	Pt	.014	.047	.098	.167	.257	.365	.493	.638
				NC	-	17	24	28	32	34	37	39
One Slot — 2" Slot Width	Vertical Throw	10" Oval Inlet	Throw	3-5-10	6-9-18	8-13-25	11-17-31	14-21-34	16-25-37	19-28-40	22-30-43	
				CFM	170	310	450	590	730	870	1010	1150
One Slot — 2" Slot Width	Vertical Throw	12" Oval Inlet	2 ft.	Ps	.011	.037	.077	.132	.203	.288	.388	.503
				Pt	.020	.065	.137	.236	.361	.513	.691	.896
One Slot — 2" Slot Width	Vertical Throw	12" Oval Inlet	NC	-	19	25	30	33	36	38	41	
				Throw	4-6-11	8-12-20	11-17-28	15-22-34	18-28-38	22-33-42	26-38-45	29-41-48
One Slot — 2" Slot Width	Vertical Throw	12" Oval Inlet	4 ft.	CFM	70	125	180	235	290	350	405	460
				Ps	.004	.012	.026	.044	.067	.095	.129	.167
One Slot — 2" Slot Width	Vertical Throw	12" Oval Inlet	5 ft.	Pt	.005	.015	.031	.054	.082	.117	.158	.205
				NC	-	-	18	23	27	31	33	36
One Slot — 2" Slot Width	Vertical Throw	12" Oval Inlet	Throw	2-3-7	4-6-12	6-9-18	8-12-22	10-15-24	12-17-26	13-20-28	15-21-30	
				CFM	135	250	360	470	585	695	810	920
One Slot — 2" Slot Width	Vertical Throw	12" Oval Inlet	4 ft.	Ps	.005	.017	.036	.063	.096	.136	.184	.238
				Pt	.008	.029	.060	.102	.157	.223	.302	.390
One Slot — 2" Slot Width	Vertical Throw	12" Oval Inlet	NC	-	-	20	25	29	33	35	38	
				Throw	3-5-10	6-9-18	8-13-25	11-17-31	14-21-34	16-25-37	19-28-40	22-30-43
One Slot — 2" Slot Width	Vertical Throw	12" Oval Inlet	5 ft.	CFM	170	310	450	590	730	870	1010	1150
				Ps	.007	.022	.047	.081	.125	.177	.239	.309
One Slot — 2" Slot Width	Vertical Throw	12" Oval Inlet	5 ft.	Pt	.012	.040	.084	.144	.220	.313	.422	.547
				NC	-	-	22	27	31	34	37	39
One Slot — 2" Slot Width	Vertical Throw	12" Oval Inlet	Throw	4-6-11	8-12-20	11-17-28	15-22-34	18-28-38	22-33-42	26-38-45	29-41-48	

FORMATIONS PERFORMANCE DATA

1 SLOT COMBO BLADE VERTICAL THROW WITH METALAIRE PLENUM

One Slot — 2.5" Slot Width	Vertical Throw	12" Oval Inlet	2 ft.	CFM	290	385	480	575	670	765	860
				Ps	.017	.037	.065	.101	.145	.196	.256
Pt	.023	.052	.091	.142	.204	.277	.361	.456			
NC	-	22	27	32	35	38	40	42			
Throw	6-9-18	9-13-24	12-18-28	15-22-31	17-24-34	20-26-37	23-28-39	24-29-41			
One Slot — 3" Slot Width <td rowspan="2">Vertical Throw <td rowspan="2">12" Oval Inlet <td rowspan="2">2 ft. <th>CFM</th> <th>290</th> <th>385</th> <th>480</th> <th>575</th> <th>670</th> <th>765</th> <th>860</th> </td></td></td>	Vertical Throw <td rowspan="2">12" Oval Inlet <td rowspan="2">2 ft. <th>CFM</th> <th>290</th> <th>385</th> <th>480</th> <th>575</th> <th>670</th> <th>765</th> <th>860</th> </td></td>	12" Oval Inlet <td rowspan="2">2 ft. <th>CFM</th> <th>290</th> <th>385</th> <th>480</th> <th>575</th> <th>670</th> <th>765</th> <th>860</th> </td>	2 ft. <th>CFM</th> <th>290</th> <th>385</th> <th>480</th> <th>575</th> <th>670</th> <th>765</th> <th>860</th>	CFM	290	385	480	575	670	765	860
				Ps	.015	.033	.058	.090	.130	.176	.229
Pt	.022	.048	.085	.132	.189	.257	.335	.423			
NC	-	-	20	24	28	31	33	35			
Throw	6-9-18	9-13-24	12-18-28	15-22-31	17-24-34	20-26-37	23-29-39	24-29-41			
One Slot — 2.5" Slot Width <td rowspan="2">Vertical Throw <td rowspan="2">12" Oval Inlet <td rowspan="2">4 ft. <th>CFM</th> <th>580</th> <th>770</th> <th>960</th> <th>1150</th> <th>1340</th> <th>1530</th> <th>1720</th> </td></td></td>	Vertical Throw <td rowspan="2">12" Oval Inlet <td rowspan="2">4 ft. <th>CFM</th> <th>580</th> <th>770</th> <th>960</th> <th>1150</th> <th>1340</th> <th>1530</th> <th>1720</th> </td></td>	12" Oval Inlet <td rowspan="2">4 ft. <th>CFM</th> <th>580</th> <th>770</th> <th>960</th> <th>1150</th> <th>1340</th> <th>1530</th> <th>1720</th> </td>	4 ft. <th>CFM</th> <th>580</th> <th>770</th> <th>960</th> <th>1150</th> <th>1340</th> <th>1530</th> <th>1720</th>	CFM	580	770	960	1150	1340	1530	1720
				Ps	.024	.053	.093	.144	.207	.281	.366
Pt	.051	.113	.199	.310	.444	.603	.786	.994			
NC	17	24	29	34	37	40	42	44			
Throw	8-13-25	12-19-34	17-25-39	21-31-44	25-34-48	29-37-52	32-39-55	34-41-59			
One Slot — 3" Slot Width <td rowspan="2">Vertical Throw <td rowspan="2">12" Oval Inlet <td rowspan="2">4 ft. <th>CFM</th> <th>580</th> <th>770</th> <th>960</th> <th>1150</th> <th>1340</th> <th>1530</th> <th>1720</th> </td></td></td>	Vertical Throw <td rowspan="2">12" Oval Inlet <td rowspan="2">4 ft. <th>CFM</th> <th>580</th> <th>770</th> <th>960</th> <th>1150</th> <th>1340</th> <th>1530</th> <th>1720</th> </td></td>	12" Oval Inlet <td rowspan="2">4 ft. <th>CFM</th> <th>580</th> <th>770</th> <th>960</th> <th>1150</th> <th>1340</th> <th>1530</th> <th>1720</th> </td>	4 ft. <th>CFM</th> <th>580</th> <th>770</th> <th>960</th> <th>1150</th> <th>1340</th> <th>1530</th> <th>1720</th>	CFM	580	770	960	1150	1340	1530	1720
				Ps	.021	.047	.083	.129	.185	.251	.328
Pt	.049	.108	.190	.295	.423	.574	.748	.946			
NC	-	17	22	26	30	33	35	37			
Throw	8-13-25	12-19-34	17-25-39	21-31-44	25-34-48	29-37-52	32-39-55	34-41-59			
One Slot — 2.5" Slot Width <td rowspan="2">Vertical Throw <td rowspan="2">12" Oval Inlet <td rowspan="2">5 ft. <th>CFM</th> <th>725</th> <th>965</th> <th>1200</th> <th>1440</th> <th>1675</th> <th>1915</th> <th>2150</th> </td></td></td>	Vertical Throw <td rowspan="2">12" Oval Inlet <td rowspan="2">5 ft. <th>CFM</th> <th>725</th> <th>965</th> <th>1200</th> <th>1440</th> <th>1675</th> <th>1915</th> <th>2150</th> </td></td>	12" Oval Inlet <td rowspan="2">5 ft. <th>CFM</th> <th>725</th> <th>965</th> <th>1200</th> <th>1440</th> <th>1675</th> <th>1915</th> <th>2150</th> </td>	5 ft. <th>CFM</th> <th>725</th> <th>965</th> <th>1200</th> <th>1440</th> <th>1675</th> <th>1915</th> <th>2150</th>	CFM	725	965	1200	1440	1675	1915	2150
				Ps	.031	.068	.120	.187	.269	.365	.475
Pt	.074	.163	.288	.446	.641	.869	1.134	1.432			
NC	18	25	31	35	38	41	43	45			
Throw	11-17-28	17-25-38	22-33-44	28-42-49	33-45-54	39-49-58	43-52-62	45-56-66			
One Slot — 3" Slot Width <td rowspan="2">Vertical Throw <td rowspan="2">12" Oval Inlet <td rowspan="2">5 ft. <th>CFM</th> <th>725</th> <th>965</th> <th>1200</th> <th>1440</th> <th>1675</th> <th>1915</th> <th>2150</th> </td></td></td>	Vertical Throw <td rowspan="2">12" Oval Inlet <td rowspan="2">5 ft. <th>CFM</th> <th>725</th> <th>965</th> <th>1200</th> <th>1440</th> <th>1675</th> <th>1915</th> <th>2150</th> </td></td>	12" Oval Inlet <td rowspan="2">5 ft. <th>CFM</th> <th>725</th> <th>965</th> <th>1200</th> <th>1440</th> <th>1675</th> <th>1915</th> <th>2150</th> </td>	5 ft. <th>CFM</th> <th>725</th> <th>965</th> <th>1200</th> <th>1440</th> <th>1675</th> <th>1915</th> <th>2150</th>	CFM	725	965	1200	1440	1675	1915	2150
				Ps	.028	.061	.108	.168	.241	.327	.426
Pt	.071	.156	.275	.426	.613	.831	1.085	1.369			
NC	-	18	24	28	31	34	37	39			
Throw	11-17-28	17-25-38	22-33-44	28-42-49	33-45-54	39-49-58	43-52-62	45-56-66			

FORMATIONS PERFORMANCE DATA

2 SLOT COMBO BLADE HORIZONTAL THROW WITH METALAIRE PLENUM

Two Slot — 1" Slot Width	Horizontal Throw	8" Oval Inlet	2 ft.	CFM	110	145	180	215	250	290	325	360
				Ps	.037	.065	.102	.147	.200	.261	.331	.408
Pt	.044	.078	.121	.174	.236	.310	.392	.484				
NC	-	17	22	26	30	34	37	40				
Throw	6-10-15	9-13-18	11-14-20	13-15-22	14-17-24	15-18-25	15-19-27	16-20-28				
Two Slot — 1" Slot Width <td rowspan="2">Horizontal Throw <td rowspan="2">8" Oval Inlet <td rowspan="2">4 ft.</td> <td>CFM</td> <td>215</td> <td>290</td> <td>360</td> <td>430</td> <td>505</td> <td>575</td> <td>550</td> <td>720</td> </td></td>	Horizontal Throw <td rowspan="2">8" Oval Inlet <td rowspan="2">4 ft.</td> <td>CFM</td> <td>215</td> <td>290</td> <td>360</td> <td>430</td> <td>505</td> <td>575</td> <td>550</td> <td>720</td> </td>	8" Oval Inlet <td rowspan="2">4 ft.</td> <td>CFM</td> <td>215</td> <td>290</td> <td>360</td> <td>430</td> <td>505</td> <td>575</td> <td>550</td> <td>720</td>	4 ft.	CFM	215	290	360	430	505	575	550	720
				Ps	.041	.073	.113	.163	.222	.290	.367	.454
Pt	.068	.122	.189	.271	.371	.483	.613	.755				
NC	-	19	24	28	32	36	39	42				
Throw	9-14-22	12-18-25	15-20-28	18-22-31	19-24-33	21-25-36	22-27-38	23-28-40				
Two Slot — 1" Slot Width <td rowspan="2">Horizontal Throw <td rowspan="2">8" Oval Inlet <td rowspan="2">5 ft.</td> <td>CFM</td> <td>270</td> <td>360</td> <td>450</td> <td>540</td> <td>630</td> <td>720</td> <td>810</td> <td>900</td> </td></td>	Horizontal Throw <td rowspan="2">8" Oval Inlet <td rowspan="2">5 ft.</td> <td>CFM</td> <td>270</td> <td>360</td> <td>450</td> <td>540</td> <td>630</td> <td>720</td> <td>810</td> <td>900</td> </td>	8" Oval Inlet <td rowspan="2">5 ft.</td> <td>CFM</td> <td>270</td> <td>360</td> <td>450</td> <td>540</td> <td>630</td> <td>720</td> <td>810</td> <td>900</td>	5 ft.	CFM	270	360	450	540	630	720	810	900
				Ps	.045	.080	.125	.180	.244	.319	.404	.499
Pt	.087	.155	.243	.349	.476	.621	.786	.971				
NC	-	20	25	30	34	37	40	43				
Throw	12-18-24	16-24-28	21-27-32	24-29-35	26-32-37	28-34-40	29-36-42	31-38-45				
Two Slot — 1" Slot Width <td rowspan="2">Horizontal Throw <td rowspan="2">10" Oval Inlet <td rowspan="2">2 ft.</td> <td>CFM</td> <td>110</td> <td>145</td> <td>180</td> <td>215</td> <td>250</td> <td>290</td> <td>325</td> <td>360</td> </td></td>	Horizontal Throw <td rowspan="2">10" Oval Inlet <td rowspan="2">2 ft.</td> <td>CFM</td> <td>110</td> <td>145</td> <td>180</td> <td>215</td> <td>250</td> <td>290</td> <td>325</td> <td>360</td> </td>	10" Oval Inlet <td rowspan="2">2 ft.</td> <td>CFM</td> <td>110</td> <td>145</td> <td>180</td> <td>215</td> <td>250</td> <td>290</td> <td>325</td> <td>360</td>	2 ft.	CFM	110	145	180	215	250	290	325	360
				Ps	.033	.058	.091	.131	.179	.233	.295	.365
Pt	.036	.065	.101	.145	.197	.258	.327	.403				
NC	-	17	22	26	30	34	37	40				
Throw	6-10-15	9-13-18	11-14-20	13-15-22	14-17-24	15-18-25	15-19-27	16-20-28				
Two Slot — 1" Slot Width <td rowspan="2">Horizontal Throw <td rowspan="2">10" Oval Inlet <td rowspan="2">4 ft.</td> <td>CFM</td> <td>215</td> <td>290</td> <td>360</td> <td>430</td> <td>505</td> <td>575</td> <td>550</td> <td>720</td> </td></td>	Horizontal Throw <td rowspan="2">10" Oval Inlet <td rowspan="2">4 ft.</td> <td>CFM</td> <td>215</td> <td>290</td> <td>360</td> <td>430</td> <td>505</td> <td>575</td> <td>550</td> <td>720</td> </td>	10" Oval Inlet <td rowspan="2">4 ft.</td> <td>CFM</td> <td>215</td> <td>290</td> <td>360</td> <td>430</td> <td>505</td> <td>575</td> <td>550</td> <td>720</td>	4 ft.	CFM	215	290	360	430	505	575	550	720
				Ps	.036	.065	.101	.146	.198	.259	.328	.405
Pt	.050	.090	.140	.201	.274	.357	.454	.559				
NC	-	19	24	28	32	36	39	42				
Throw	9-14-22	12-18-25	15-20-28	18-22-31	19-24-33	21-25-36	22-27-38	23-28-40				
Two Slot — 1" Slot Width <td rowspan="2">Horizontal Throw <td rowspan="2">10" Oval Inlet <td rowspan="2">5 ft.</td> <td>CFM</td> <td>270</td> <td>360</td> <td>450</td> <td>540</td> <td>530</td> <td>720</td> <td>810</td> <td>900</td> </td></td>	Horizontal Throw <td rowspan="2">10" Oval Inlet <td rowspan="2">5 ft.</td> <td>CFM</td> <td>270</td> <td>360</td> <td>450</td> <td>540</td> <td>530</td> <td>720</td> <td>810</td> <td>900</td> </td>	10" Oval Inlet <td rowspan="2">5 ft.</td> <td>CFM</td> <td>270</td> <td>360</td> <td>450</td> <td>540</td> <td>530</td> <td>720</td> <td>810</td> <td>900</td>	5 ft.	CFM	270	360	450	540	530	720	810	900
				Ps	.040	.071	.111	.160	.218	.285	.361	.446
Pt	.062	.110	.172	.247	.336	.439	.556	.686				
NC	-	20	25	30	34	37	40	43				
Throw	12-18-24	16-24-28	21-27-32	24-29-35	26-32-37	28-34-40	29-36-42	31-38-45				

FORMATIONS PERFORMANCE DATA

2 SLOT COMBO BLADE HORIZONTAL THROW WITH METALAIRE PLENUM

Two Slot — 1.5" Slot Width	Horizontal Throw	8" Oval Inlet	2 ft.	CFM	95	125	155	185	215	250	280	310
				Ps	.018	.033	.051	.073	.100	.130	.165	.203
Pt	.024	.042	.065	.093	.127	.166	.210	.259				
NC	-	17	22	27	31	34	37	40				
Throw	4-7-14	6-9-17	8-11-18	9-14-20	11-15-22	12-17-23	14-18-25	15-18-26				
Two Slot — 1.5" Slot Width <td rowspan="2">Horizontal Throw <td rowspan="2">8" Oval Inlet <td rowspan="2">4 ft.</td> <td>CFM</td> <td>185</td> <td>250</td> <td>310</td> <td>370</td> <td>435</td> <td>495</td> <td>560</td> <td>620</td> </td></td>	Horizontal Throw <td rowspan="2">8" Oval Inlet <td rowspan="2">4 ft.</td> <td>CFM</td> <td>185</td> <td>250</td> <td>310</td> <td>370</td> <td>435</td> <td>495</td> <td>560</td> <td>620</td> </td>	8" Oval Inlet <td rowspan="2">4 ft.</td> <td>CFM</td> <td>185</td> <td>250</td> <td>310</td> <td>370</td> <td>435</td> <td>495</td> <td>560</td> <td>620</td>	4 ft.	CFM	185	250	310	370	435	495	560	620
				Ps	.020	.036	.056	.081	.111	.145	.183	.226
Pt	.040	.073	.112	.161	.221	.287	.366	.450				
NC	-	19	24	29	33	36	39	42				
Throw	5-10-19	9-13-23	11-16-26	13-19-29	15-22-31	17-23-33	19-25-35	21-26-37				
Two Slot — 1.5" Slot Width <td rowspan="2">Horizontal Throw <td rowspan="2">8" Oval Inlet <td rowspan="2">5 ft.</td> <td>CFM</td> <td>235</td> <td>310</td> <td>390</td> <td>465</td> <td>545</td> <td>620</td> <td>700</td> <td>775</td> </td></td>	Horizontal Throw <td rowspan="2">8" Oval Inlet <td rowspan="2">5 ft.</td> <td>CFM</td> <td>235</td> <td>310</td> <td>390</td> <td>465</td> <td>545</td> <td>620</td> <td>700</td> <td>775</td> </td>	8" Oval Inlet <td rowspan="2">5 ft.</td> <td>CFM</td> <td>235</td> <td>310</td> <td>390</td> <td>465</td> <td>545</td> <td>620</td> <td>700</td> <td>775</td>	5 ft.	CFM	235	310	390	465	545	620	700	775
				Ps	.022	.040	.062	.089	.122	.159	.201	.248
Pt	.055	.096	.151	.215	.295	.383	.486	.598				
NC	15	21	26	30	34	38	41	43				
Throw	7-13-22	12-17-26	14-22-29	17-26-32	20-29-35	23-31-37	26-33-39	29-35-41				
Two Slot — 1.5" Slot Width <td rowspan="2">Horizontal Throw <td rowspan="2">12" Oval Inlet <td rowspan="2">2 ft.</td> <td>CFM</td> <td>95</td> <td>125</td> <td>155</td> <td>185</td> <td>215</td> <td>250</td> <td>280</td> <td>310</td> </td></td>	Horizontal Throw <td rowspan="2">12" Oval Inlet <td rowspan="2">2 ft.</td> <td>CFM</td> <td>95</td> <td>125</td> <td>155</td> <td>185</td> <td>215</td> <td>250</td> <td>280</td> <td>310</td> </td>	12" Oval Inlet <td rowspan="2">2 ft.</td> <td>CFM</td> <td>95</td> <td>125</td> <td>155</td> <td>185</td> <td>215</td> <td>250</td> <td>280</td> <td>310</td>	2 ft.	CFM	95	125	155	185	215	250	280	310
				Ps	.017	.030	.047	.068	.092	.120	.152	.188
Pt	.019	.033	.051	.074	.100	.132	.166	.205				
NC	-	17	22	26	30	34	37	39				
Throw	4-7-14	6-9-17	8-11-18	9-14-20	11-15-22	12-17-23	14-18-25	15-18-26				
Two Slot — 1.5" Slot Width <td rowspan="2">Horizontal Throw <td rowspan="2">12" Oval Inlet <td rowspan="2">4 ft.</td> <td>CFM</td> <td>185</td> <td>250</td> <td>310</td> <td>370</td> <td>435</td> <td>495</td> <td>560</td> <td>620</td> </td></td>	Horizontal Throw <td rowspan="2">12" Oval Inlet <td rowspan="2">4 ft.</td> <td>CFM</td> <td>185</td> <td>250</td> <td>310</td> <td>370</td> <td>435</td> <td>495</td> <td>560</td> <td>620</td> </td>	12" Oval Inlet <td rowspan="2">4 ft.</td> <td>CFM</td> <td>185</td> <td>250</td> <td>310</td> <td>370</td> <td>435</td> <td>495</td> <td>560</td> <td>620</td>	4 ft.	CFM	185	250	310	370	435	495	560	620
				Ps	.019	.033	.052	.075	.102	.134	.169	.209
Pt	.025	.045	.070	.100	.136	.178	.226	.278				
NC	-	19	24	28	32	36	39	41				
Throw	5-10-19	9-13-23	11-16-26	13-19-29	15-22-31	17-23-33	19-25-35	21-26-37				
Two Slot — 1.5" Slot Width <td rowspan="2">Horizontal Throw <td rowspan="2">12" Oval Inlet <td rowspan="2">5 ft.</td> <td>CFM</td> <td>235</td> <td>310</td> <td>390</td> <td>465</td> <td>545</td> <td>620</td> <td>700</td> <td>775</td> </td></td>	Horizontal Throw <td rowspan="2">12" Oval Inlet <td rowspan="2">5 ft.</td> <td>CFM</td> <td>235</td> <td>310</td> <td>390</td> <td>465</td> <td>545</td> <td>620</td> <td>700</td> <td>775</td> </td>	12" Oval Inlet <td rowspan="2">5 ft.</td> <td>CFM</td> <td>235</td> <td>310</td> <td>390</td> <td>465</td> <td>545</td> <td>620</td> <td>700</td> <td>775</td>	5 ft.	CFM	235	310	390	465	545	620	700	775
				Ps	.021	.037	.057	.083	.113	.147	.186	.230
Pt	.031	.054	.085	.122	.166	.216	.274	.338				
NC	-	20	25	30	34	37	40	43				
Throw	7-13-22	12-17-26	14-22-29	17-26-32	20-29-35	23-31-37	26-33-39	29-35-41				

FORMATIONS PERFORMANCE DATA

2 SLOT COMBO BLADE HORIZONTAL THROW WITH METALAIRE PLENUM

Two Slot — 2" Slot Width	Horizontal Throw	8" Oval Inlet	2 ft.	CFM	100	140	175	210	250	285	325	360
				Ps	.015	.028	.044	.065	.090	.119	.151	.188
Pt	.021	.039	.062	.091	.126	.166	.213	.264				
NC	-	17	22	27	31	35	38	41				
Throw	6-9-15	8-12-17	11-14-20	12-15-22	14-17-23	14-18-25	15-19-27	16-20-28				
Two Slot — 2" Slot Width	Horizontal Throw	8" Oval Inlet	4 ft.	CFM	200	275	350	425	500	570	645	720
				Ps	.016	.031	.049	.072	.100	.132	.168	.209
Pt	.040	.075	.121	.178	.246	.321	.410	.511				
NC	-	19	24	29	33	37	40	43				
Throw	4-9-18	7-12-25	11-16-28	13-19-31	15-22-33	17-25-36	19-27-38	22-28-40				
Two Slot — 2" Slot Width	Horizontal Throw	8" Oval Inlet	5 ft.	CFM	255	345	440	530	625	715	810	900
				Ps	.018	.034	.054	.080	.110	.145	.185	.230
Pt	.056	.103	.167	.243	.337	.443	.567	.701				
NC	-	20	26	30	34	38	41	44				
Throw	5-12-20	10-17-28	14-21-31	17-26-34	20-30-37	23-34-40	26-36-42	29-38-45				
Two Slot — 2" Slot Width	Horizontal Throw	12" Oval Inlet	2 ft.	CFM	100	140	175	210	250	285	325	360
				Ps	.013	.024	.039	.057	.079	.104	.133	.165
Pt	.015	.028	.044	.065	.090	.119	.152	.188				
NC	-	17	22	27	31	35	38	41				
Throw	3-6-13	5-9-17	7-11-20	9-14-22	11-16-23	12-18-25	14-19-27	15-20-28				
Two Slot — 2" Slot Width	Horizontal Throw	12" Oval Inlet	4 ft.	CFM	200	275	350	425	500	570	645	720
				Ps	.014	.027	.043	.063	.088	.116	.147	.183
Pt	.022	.040	.065	.096	.132	.174	.222	.276				
NC	-	19	24	29	33	37	40	43				
Throw	4-9-18	7-12-25	11-16-28	13-19-31	15-22-33	17-25-36	19-27-38	22-28-40				
Two Slot — 2" Slot Width	Horizontal Throw	12" Oval Inlet	5 ft.	CFM	255	345	440	530	625	715	810	900
				Ps	.016	.030	.048	0.07	.090	.127	.162	.201
Pt	.028	.051	.082	0.12	.167	.219	.280	.347				
NC	-	20	26	30	34	38	41	44				
Throw	5-12-20	10-17-28	14-21-31	17-26-34	20-30-37	23-34-40	26-36-42	29-38-45				

FORMATIONS PERFORMANCE DATA

2 SLOT COMBO BLADE HORIZONTAL THROW WITH METALAIRE PLENUM

Two Slot — 2.5" Slot Width	Horizontal Throw	10" Oval Inlet	2 ft.	CFM	140	185	230	275	320	370	415	460
				Ps	.015	.027	.042	.061	.083	.108	.137	.169
Pt	.021	.037	.058	.083	.113	.140	.188	.232				
NC	-	17	22	26	30	33	37	39				
Throw	4-8-16	6-11-20	9-13-23	11-16-25	12-18-27	14-20-28	16-21-30	18-23-32				
Two Slot — 2.5" Slot Width <td rowspan="2">Horizontal Throw <td rowspan="2">10" Oval Inlet <td rowspan="2">4 ft.</td> <td>CFM</td> <td>275</td> <td>370</td> <td>460</td> <td>550</td> <td>645</td> <td>735</td> <td>830</td> <td>920</td> </td></td>	Horizontal Throw <td rowspan="2">10" Oval Inlet <td rowspan="2">4 ft.</td> <td>CFM</td> <td>275</td> <td>370</td> <td>460</td> <td>550</td> <td>645</td> <td>735</td> <td>830</td> <td>920</td> </td>	10" Oval Inlet <td rowspan="2">4 ft.</td> <td>CFM</td> <td>275</td> <td>370</td> <td>460</td> <td>550</td> <td>645</td> <td>735</td> <td>830</td> <td>920</td>	4 ft.	CFM	275	370	460	550	645	735	830	920
				Ps	.017	.030	.047	.068	.092	.120	.152	.188
Pt	.039	.071	.110	.157	.216	.281	.357	.439				
NC	-	19	24	28	32	35	39	41				
Throw	5-11-22	9-15-28	12-19-32	15-22-35	17-26-38	20-28-40	22-30-43	25-32-45				
Two Slot — 2.5" Slot Width <td rowspan="2">Horizontal Throw <td rowspan="2">10" Oval Inlet <td rowspan="2">5 ft.</td> <td>CFM</td> <td>345</td> <td>460</td> <td>575</td> <td>690</td> <td>805</td> <td>920</td> <td>1035</td> <td>1150</td> </td></td>	Horizontal Throw <td rowspan="2">10" Oval Inlet <td rowspan="2">5 ft.</td> <td>CFM</td> <td>345</td> <td>460</td> <td>575</td> <td>690</td> <td>805</td> <td>920</td> <td>1035</td> <td>1150</td> </td>	10" Oval Inlet <td rowspan="2">5 ft.</td> <td>CFM</td> <td>345</td> <td>460</td> <td>575</td> <td>690</td> <td>805</td> <td>920</td> <td>1035</td> <td>1150</td>	5 ft.	CFM	345	460	575	690	805	920	1035	1150
				Ps	.019	.033	.052	.074	.101	.132	.167	.207
Pt	.054	.096	.150	.216	.294	.384	.486	.599				
NC	-	20	25	30	33	37	40	43				
Throw	7-15-25	12-20-32	17-25-36	20-30-39	23-35-42	27-38-45	30-41-48	33-43-50				
Two Slot — 2.5" Slot Width <td rowspan="2">Horizontal Throw <td rowspan="2">12" Oval Inlet <td rowspan="2">2 ft.</td> <td>CFM</td> <td>140</td> <td>185</td> <td>230</td> <td>275</td> <td>320</td> <td>370</td> <td>415</td> <td>460</td> </td></td>	Horizontal Throw <td rowspan="2">12" Oval Inlet <td rowspan="2">2 ft.</td> <td>CFM</td> <td>140</td> <td>185</td> <td>230</td> <td>275</td> <td>320</td> <td>370</td> <td>415</td> <td>460</td> </td>	12" Oval Inlet <td rowspan="2">2 ft.</td> <td>CFM</td> <td>140</td> <td>185</td> <td>230</td> <td>275</td> <td>320</td> <td>370</td> <td>415</td> <td>460</td>	2 ft.	CFM	140	185	230	275	320	370	415	460
				Ps	.014	.025	.039	.056	.076	.099	.125	.155
Pt	.017	.031	.048	.069	.094	.124	.156	.193				
NC	-	16	21	25	29	32	35	38				
Throw	4-8-16	6-11-20	9-13-23	11-16-25	12-18-27	14-20-28	16-21-30	18-23-32				
Two Slot — 2.5" Slot Width <td rowspan="2">Horizontal Throw <td rowspan="2">12" Oval Inlet <td rowspan="2">4 ft.</td> <td>CFM</td> <td>275</td> <td>370</td> <td>460</td> <td>550</td> <td>645</td> <td>735</td> <td>830</td> <td>920</td> </td></td>	Horizontal Throw <td rowspan="2">12" Oval Inlet <td rowspan="2">4 ft.</td> <td>CFM</td> <td>275</td> <td>370</td> <td>460</td> <td>550</td> <td>645</td> <td>735</td> <td>830</td> <td>920</td> </td>	12" Oval Inlet <td rowspan="2">4 ft.</td> <td>CFM</td> <td>275</td> <td>370</td> <td>460</td> <td>550</td> <td>645</td> <td>735</td> <td>830</td> <td>920</td>	4 ft.	CFM	275	370	460	550	645	735	830	920
				Ps	.015	.028	.043	.062	.084	.110	.139	.172
Pt	.029	.052	.081	.116	.159	.207	.263	.324				
NC	-	18	23	27	31	34	37	40				
Throw	5-11-22	9-15-28	12-19-32	15-22-35	17-26-38	20-28-40	22-30-43	25-32-45				
Two Slot — 2.5" Slot Width <td rowspan="2">Horizontal Throw <td rowspan="2">12" Oval Inlet <td rowspan="2">5 ft.</td> <td>CFM</td> <td>345</td> <td>460</td> <td>575</td> <td>690</td> <td>805</td> <td>920</td> <td>1035</td> <td>1150</td> </td></td>	Horizontal Throw <td rowspan="2">12" Oval Inlet <td rowspan="2">5 ft.</td> <td>CFM</td> <td>345</td> <td>460</td> <td>575</td> <td>690</td> <td>805</td> <td>920</td> <td>1035</td> <td>1150</td> </td>	12" Oval Inlet <td rowspan="2">5 ft.</td> <td>CFM</td> <td>345</td> <td>460</td> <td>575</td> <td>690</td> <td>805</td> <td>920</td> <td>1035</td> <td>1150</td>	5 ft.	CFM	345	460	575	690	805	920	1035	1150
				Ps	.017	.030	.047	.068	.093	.121	.153	.189
Pt	.038	.068	.107	.154	.209	.273	.346	.427				
NC	-	19	24	28	32	36	39	42				
Throw	7-15-25	12-20-32	17-25-36	20-30-39	23-35-42	27-38-45	30-41-48	33-43-50				

FORMATIONS PERFORMANCE DATA

2 SLOT COMBO BLADE HORIZONTAL THROW WITH METALAIRE PLENUM

Two Slot — 3" Slot Width	Horizontal Throw	10" Oval Inlet	2 ft.	CFM	150	200	250	300	350	400	450	500					
				Ps	.015	.027	.042	.061	.083	.108	.137	.169					
				Pt	.022	.039	.061	.087	.119	.156	.197	.243					
				NC	-	17	22	26	30	34	37	40					
				Throw	3-7-16	6-10-21	9-13-23	10-16-26	12-18-28	14-21-30	16-22-32	17-23-33					
		10" Oval Inlet	4 ft.	CFM	300	400	500	600	700	800	900	1000					
						Ps	.017	.030	.047	.068	.092	.120	.152	.188			
						Pt	.044	.078	.121	.174	.237	.310	.392	.485			
						NC	-	19	24	28	32	36	39	42			
						Throw	5-10-22	8-15-29	12-18-33	15-22-36	17-26-39	20-29-42	22-32-45	25-33-53			
		10" Oval Inlet	5 ft.	CFM	375	500	625	750	875	1000	1125	1250					
						Ps	.019	.033	.052	.074	.101	.132	.167	.206			
						Pt	.060	.107	.168	.241	.328	.429	.543	.670			
						NC	-	20	25	30	34	37	40	43			
						Throw	6-14-25	11-20-33	16-25-37	20-30-41	23-35-44	26-40-47	30-42-50	33-45-53			
Two Slot — 3" Slot Width	Horizontal Throw	12" Oval Inlet	2 ft.	CFM	150	200	250	300	350	400	450	500					
				Ps	.014	.026	.040	.058	.079	.103	.130	.160					
				Pt	.018	.033	.051	.074	.101	.131	.166	.205					
				NC	-	16	21	25	29	32	35	38					
							Throw	3-7-16	6-10-21	9-13-23	10-16-26	12-18-28	14-21-30	16-22-32	17-23-33		
					12" Oval Inlet	4 ft.	CFM	300	400	500	600	700	800	900	1000		
									Ps	.016	.029	.045	.064	.087	.114	.144	.178
									Pt	.032	.057	.089	.129	.175	.229	.290	.358
									NC	-	18	23	27	31	34	37	40
									Throw	5-10-22	8-15-29	12-18-33	15-22-36	17-26-39	20-29-42	22-32-45	25-33-47
					12" Oval Inlet	5 ft.	CFM	375	500	625	750	875	1000	1125	1250		
									Ps	.018	.031	.049	.071	.096	.125	.159	.196
									Pt	.043	.076	.119	.172	.234	.305	.386	.477
									NC	-	19	24	29	32	36	39	42
									Throw	6-14-25	11-20-33	16-25-37	20-30-41	23-35-44	26-40-47	30-42-50	33-45-53

FORMATIONS PERFORMANCE DATA

2 SLOT COMBO BLADE VERTICAL THROW WITH METALAIRE PLENUM

Two Slot — 1" Slot Width	Vertical Throw	8" Oval Inlet	2 ft.	CFM	95	150	205	260	315	370	425	480
				Ps	.013	.032	.059	.095	.139	.192	.253	.323
Pt	.018	.045	.083	.134	.197	.271	.358	.457				
NC	-	20	25	30	33	36	39	42				
Throw	3-4-8	4-6-13	6-9-17	7-11-22	9-13-27	10-16-30	12-18-32	14-20-34				
Two Slot — 1" Slot Width <td rowspan="2">Vertical Throw <td rowspan="2">8" Oval Inlet <th>4 ft.</th> <td>CFM</td> <td>190</td> <td>300</td> <td>410</td> <td>520</td> <td>630</td> <td>740</td> <td>850</td> <td>960</td> </td></td>	Vertical Throw <td rowspan="2">8" Oval Inlet <th>4 ft.</th> <td>CFM</td> <td>190</td> <td>300</td> <td>410</td> <td>520</td> <td>630</td> <td>740</td> <td>850</td> <td>960</td> </td>	8" Oval Inlet <th>4 ft.</th> <td>CFM</td> <td>190</td> <td>300</td> <td>410</td> <td>520</td> <td>630</td> <td>740</td> <td>850</td> <td>960</td>	4 ft.	CFM	190	300	410	520	630	740	850	960
			Ps	.018	.045	.084	.135	.198	.274	.361	.461	
Pt	.039	.097	.182	.293	.430	.593	.782	.997				
NC	-	22	27	32	35	38	41	44				
Throw	4-6-11	6-9-18	8-12-25	10-16-31	13-19-38	15-22-42	17-26-45	19-29-48				
Two Slot — 1" Slot Width <td rowspan="2">Vertical Throw <td rowspan="2">8" Oval Inlet <th>5 ft.</th> <td>CFM</td> <td>240</td> <td>375</td> <td>515</td> <td>650</td> <td>790</td> <td>925</td> <td>1065</td> <td>1200</td> </td></td>	Vertical Throw <td rowspan="2">8" Oval Inlet <th>5 ft.</th> <td>CFM</td> <td>240</td> <td>375</td> <td>515</td> <td>650</td> <td>790</td> <td>925</td> <td>1065</td> <td>1200</td> </td>	8" Oval Inlet <th>5 ft.</th> <td>CFM</td> <td>240</td> <td>375</td> <td>515</td> <td>650</td> <td>790</td> <td>925</td> <td>1065</td> <td>1200</td>	5 ft.	CFM	240	375	515	650	790	925	1065	1200
			Ps	.023	.059	.109	.176	.258	.356	.470	.599	
Pt	.057	.140	.264	.422	.621	.840	1.130	1.437				
NC	15	23	29	33	37	40	43	45				
Throw	5-8-13	8-12-20	11-17-28	14-21-35	17-25-42	20-30-47	23-34-51	26-39-54				
Two Slot — 1" Slot Width <td rowspan="2">Vertical Throw <td rowspan="2">10" Oval Inlet <th>2 ft.</th> <td>CFM</td> <td>95</td> <td>150</td> <td>205</td> <td>260</td> <td>315</td> <td>370</td> <td>425</td> <td>480</td> </td></td>	Vertical Throw <td rowspan="2">10" Oval Inlet <th>2 ft.</th> <td>CFM</td> <td>95</td> <td>150</td> <td>205</td> <td>260</td> <td>315</td> <td>370</td> <td>425</td> <td>480</td> </td>	10" Oval Inlet <th>2 ft.</th> <td>CFM</td> <td>95</td> <td>150</td> <td>205</td> <td>260</td> <td>315</td> <td>370</td> <td>425</td> <td>480</td>	2 ft.	CFM	95	150	205	260	315	370	425	480
			Ps	.007	.018	.034	.055	.081	.111	.147	.187	
Pt	.010	.025	.047	.075	.110	.152	.200	.256				
NC	-	16	22	26	29	31	33	35				
Throw	3-4-8	4-6-13	6-9-17	7-11-22	9-13-27	10-16-30	12-18-32	14-20-34				
Two Slot — 1" Slot Width <td rowspan="2">Vertical Throw <td rowspan="2">10" Oval Inlet <th>4 ft.</th> <td>CFM</td> <td>190</td> <td>300</td> <td>410</td> <td>520</td> <td>630</td> <td>740</td> <td>850</td> <td>960</td> </td></td>	Vertical Throw <td rowspan="2">10" Oval Inlet <th>4 ft.</th> <td>CFM</td> <td>190</td> <td>300</td> <td>410</td> <td>520</td> <td>630</td> <td>740</td> <td>850</td> <td>960</td> </td>	10" Oval Inlet <th>4 ft.</th> <td>CFM</td> <td>190</td> <td>300</td> <td>410</td> <td>520</td> <td>630</td> <td>740</td> <td>850</td> <td>960</td>	4 ft.	CFM	190	300	410	520	630	740	850	960
			Ps	.010	.026	.049	.078	.115	.159	.210	.267	
Pt	.021	.053	.099	.159	.233	.321	.424	.541				
NC	-	18	24	28	31	33	35	37				
Throw	4-6-11	6-9-18	8-12-25	10-16-31	13-19-38	15-22-42	17-26-45	19-29-48				
Two Slot — 1" Slot Width <td rowspan="2">Vertical Throw <td rowspan="2">10" Oval Inlet <th>5 ft.</th> <td>CFM</td> <td>240</td> <td>375</td> <td>515</td> <td>650</td> <td>790</td> <td>925</td> <td>1065</td> <td>1200</td> </td></td>	Vertical Throw <td rowspan="2">10" Oval Inlet <th>5 ft.</th> <td>CFM</td> <td>240</td> <td>375</td> <td>515</td> <td>650</td> <td>790</td> <td>925</td> <td>1065</td> <td>1200</td> </td>	10" Oval Inlet <th>5 ft.</th> <td>CFM</td> <td>240</td> <td>375</td> <td>515</td> <td>650</td> <td>790</td> <td>925</td> <td>1065</td> <td>1200</td>	5 ft.	CFM	240	375	515	650	790	925	1065	1200
			Ps	.014	.034	.063	.102	.150	.206	.272	.347	
Pt	.031	.076	.142	.227	.335	.461	.609	.775				
NC	-	20	25	29	32	35	37	39				
Throw	5-8-13	8-12-20	11-17-28	14-21-35	17-25-42	20-30-47	23-34-51	26-39-54				

FORMATIONS PERFORMANCE DATA

2 SLOT COMBO BLADE VERTICAL THROW WITH METALAIRE PLENUM

Two Slot — 1" Slot Width	Vertical Throw	12" Oval Inlet	2 ft.	CFM	95	150	205	260	315	370	425	480				
				Ps	.009	.022	.041	.066	.097	.134	.177	.226				
				Pt	.010	.026	.049	.078	.115	.159	.209	.267				
				NC	-	-	18	22	26	29	32	34				
				Throw	3-4-8	4-6-13	6-9-17	7-11-22	9-13-27	10-16-30	12-18-32	14-20-34				
		12" Oval Inlet	4 ft.	CFM	190	300	410	520	630	740	850	960				
						Ps	.013	.032	.059	.095	.139	.192	.253	.323		
						Pt	.019	.048	.089	.143	.210	.290	.383	.488		
						NC	-	-	20	24	28	31	34	36		
						Throw	4-6-11	6-9-18	8-12-25	10-16-31	13-19-38	15-22-42	17-26-45	19-29-48		
		12" Oval Inlet	5 ft.	CFM	240	375	515	650	790	925	1065	1200				
						Ps	.016	.041	.076	.123	.181	.249	.329	.419		
						Pt	.027	.066	.124	.199	.293	.403	.533	.678		
						NC	-	16	21	26	29	33	35	37		
						Throw	5-8-13	8-12-20	11-17-28	14-21-35	17-25-42	20-30-47	23-34-51	26-39-54		
Two Slot — 1.5" Slot Width	Vertical Throw	8" Oval Inlet	2 ft.	CFM	195	310	420	530	645	755	870	980				
				Ps	.027	.066	.123	.198	.290	.400	.527	.672				
				Pt	.049	.122	.226	.362	.533	.732	.968	1.231				
				NC	-	20	26	30	34	37	40	42				
				Throw	5-7-14	7-11-21	10-15-29	12-18-36	15-22-39	18-26-43	20-30-46	23-34-49				
				8" Oval Inlet	4 ft.	CFM	390	615	840	1065	1290	1510	1735	1960		
								Ps	.038	.095	.176	.283	.415	.572	.753	.960
								Pt	.127	.315	.587	.943	1.384	1.899	2.506	3.197
								NC	-	22	28	32	36	39	42	44
								Throw	6-10-19	10-15-30	14-21-41	17-26-51	21-32-56	25-37-60	28-43-65	32-48-69
				8" Oval Inlet	5 ft.	CFM	490	770	1050	1330	1610	1890	2170	2450		
								Ps	.050	.123	.229	.368	.539	.743	.979	1.249
								Pt	.190	.469	.871	1.398	2.048	2.823	3.721	4.743
								NC	16	24	29	34	37	40	43	46
								Throw	9-13-22	14-20-34	18-28-46	23-35-57	28-42-62	33-50-68	38-57-72	43-65-77

FORMATIONS PERFORMANCE DATA

2 SLOT COMBO BLADE VERTICAL THROW WITH METALAIRE PLENUM

Two Slot — 1.5" Slot Width	Vertical Throw	10" Oval Inlet	2 ft.	CFM	195	310	420	530	645	755	870	980
				Ps	.018	.044	.081	.131	.192	.264	.348	.444
Pt	.029	.072	.134	.214	.315	.433	.573	.729				
NC	-	20	25	29	32	34	37	39				
Throw	5-7-14	7-11-21	10-15-29	12-18-36	15-22-39	18-26-43	20-30-46	23-34-49				
Two Slot — 1.5" Slot Width <td rowspan="2">Vertical Throw <td rowspan="2">10" Oval Inlet <td rowspan="2">4 ft.</td> <td>CFM</td> <td>390</td> <td>615</td> <td>840</td> <td>1065</td> <td>1290</td> <td>1510</td> <td>1735</td> <td>1960</td> </td></td>	Vertical Throw <td rowspan="2">10" Oval Inlet <td rowspan="2">4 ft.</td> <td>CFM</td> <td>390</td> <td>615</td> <td>840</td> <td>1065</td> <td>1290</td> <td>1510</td> <td>1735</td> <td>1960</td> </td>	10" Oval Inlet <td rowspan="2">4 ft.</td> <td>CFM</td> <td>390</td> <td>615</td> <td>840</td> <td>1065</td> <td>1290</td> <td>1510</td> <td>1735</td> <td>1960</td>	4 ft.	CFM	390	615	840	1065	1290	1510	1735	1960
				Ps	.025	.063	.116	.187	.274	.377	.497	.634
Pt	.071	.175	.326	.524	.768	1.054	1.391	1.775				
NC	-	22	27	31	34	36	39	41				
Throw	6-10-19	10-15-30	14-21-41	17-26-51	21-32-56	25-37-60	28-43-65	32-48-69				
Two Slot — 1.5" Slot Width <td rowspan="2">Vertical Throw <td rowspan="2">10" Oval Inlet <td rowspan="2">5 ft.</td> <td>CFM</td> <td>490</td> <td>770</td> <td>1050</td> <td>1330</td> <td>1610</td> <td>1890</td> <td>2170</td> <td>2450</td> </td></td>	Vertical Throw <td rowspan="2">10" Oval Inlet <td rowspan="2">5 ft.</td> <td>CFM</td> <td>490</td> <td>770</td> <td>1050</td> <td>1330</td> <td>1610</td> <td>1890</td> <td>2170</td> <td>2450</td> </td>	10" Oval Inlet <td rowspan="2">5 ft.</td> <td>CFM</td> <td>490</td> <td>770</td> <td>1050</td> <td>1330</td> <td>1610</td> <td>1890</td> <td>2170</td> <td>2450</td>	5 ft.	CFM	490	770	1050	1330	1610	1890	2170	2450
				Ps	.033	.081	.151	.243	.356	.490	.646	.824
Pt	.104	.258	.479	.768	1.126	1.551	2.045	2.607				
NC	16	23	29	32	35	38	40	43				
Throw	9-13-22	14-20-34	18-28-46	23-35-57	28-42-62	33-50-68	38-57-72	43-65-77				
Two Slot — 1.5" Slot Width <td rowspan="2">Vertical Throw <td rowspan="2">12" Oval Inlet <td rowspan="2">2 ft.</td> <td>CFM</td> <td>195</td> <td>310</td> <td>420</td> <td>530</td> <td>645</td> <td>755</td> <td>870</td> <td>980</td> </td></td>	Vertical Throw <td rowspan="2">12" Oval Inlet <td rowspan="2">2 ft.</td> <td>CFM</td> <td>195</td> <td>310</td> <td>420</td> <td>530</td> <td>645</td> <td>755</td> <td>870</td> <td>980</td> </td>	12" Oval Inlet <td rowspan="2">2 ft.</td> <td>CFM</td> <td>195</td> <td>310</td> <td>420</td> <td>530</td> <td>645</td> <td>755</td> <td>870</td> <td>980</td>	2 ft.	CFM	195	310	420	530	645	755	870	980
				Ps	.017	.042	.077	.124	.181	.250	.330	.420
Pt	.024	.059	.109	.174	.256	.352	.466	.593				
NC	-	-	18	23	26	29	32	34				
Throw	5-7-14	7-11-21	10-15-29	12-18-36	15-22-39	18-26-43	20-30-46	23-34-49				
Two Slot — 1.5" Slot Width <td rowspan="2">Vertical Throw <td rowspan="2">12" Oval Inlet <td rowspan="2">4 ft.</td> <td>CFM</td> <td>390</td> <td>615</td> <td>840</td> <td>1065</td> <td>1290</td> <td>1510</td> <td>1735</td> <td>1960</td> </td></td>	Vertical Throw <td rowspan="2">12" Oval Inlet <td rowspan="2">4 ft.</td> <td>CFM</td> <td>390</td> <td>615</td> <td>840</td> <td>1065</td> <td>1290</td> <td>1510</td> <td>1735</td> <td>1960</td> </td>	12" Oval Inlet <td rowspan="2">4 ft.</td> <td>CFM</td> <td>390</td> <td>615</td> <td>840</td> <td>1065</td> <td>1290</td> <td>1510</td> <td>1735</td> <td>1960</td>	4 ft.	CFM	390	615	840	1065	1290	1510	1735	1960
				Ps	.024	.059	.110	.177	.259	.357	.471	.600
Pt	.051	.127	.237	.381	.558	.767	1.012	1.291				
NC	-	-	20	25	28	31	34	36				
Throw	6-10-19	10-15-30	14-21-41	17-26-51	21-32-56	25-37-60	28-43-65	32-48-69				
Two Slot — 1.5" Slot Width <td rowspan="2">Vertical Throw <td rowspan="2">12" Oval Inlet <td rowspan="2">5 ft.</td> <td>CFM</td> <td>490</td> <td>770</td> <td>1050</td> <td>1330</td> <td>1610</td> <td>1890</td> <td>2170</td> <td>2450</td> </td></td>	Vertical Throw <td rowspan="2">12" Oval Inlet <td rowspan="2">5 ft.</td> <td>CFM</td> <td>490</td> <td>770</td> <td>1050</td> <td>1330</td> <td>1610</td> <td>1890</td> <td>2170</td> <td>2450</td> </td>	12" Oval Inlet <td rowspan="2">5 ft.</td> <td>CFM</td> <td>490</td> <td>770</td> <td>1050</td> <td>1330</td> <td>1610</td> <td>1890</td> <td>2170</td> <td>2450</td>	5 ft.	CFM	490	770	1050	1330	1610	1890	2170	2450
				Ps	.031	.077	.143	.230	.337	.464	.612	.780
Pt	.074	.184	.341	.548	.803	1.106	1.458	1.859				
NC	-	16	22	26	30	33	36	38				
Throw	9-13-22	14-20-34	18-28-46	23-35-57	28-42-62	33-50-68	38-57-72	43-65-77				

FORMATIONS PERFORMANCE DATA

2 SLOT COMBO BLADE VERTICAL THROW WITH METALAIR PLENUM

Two Slot — 2" Slot Width	Vertical Throw	8" Oval Inlet	2 ft.	CFM	170	260	350	440	530	620	710	800		
				Ps	.044	.104	.188	.296	.430	.589	.772	.980		
				Pt	.061	.143	.259	.409	.594	.812	1.065	1.353		
				NC	-	-	19	23	27	30	32	34		
				Throw	3-5-10	5-8-16	7-11-21	9-13-27	11-16-29	13-19-32	14-22-34	16-24-36		
		8" Oval Inlet	4 ft.	CFM	340	520	700	880	1060	1240	1420	1600		
						Ps	.063	.148	.268	.424	.614	.841	1.103	1.400
						Pt	.131	.305	.553	.874	1.269	1.736	2.277	2.890
						NC	-	16	21	25	29	32	34	36
						Throw	5-7-15	7-11-22	10-15-30	13-19-38	15-23-41	18-27-45	20-31-48	23-34-51
		8" Oval Inlet	5 ft.	CFM	425	650	875	1100	1325	1550	1775	2000		
						Ps	.082	.192	.348	.551	.799	1.093	1.434	1.820
						Pt	.187	.438	.794	1.255	1.821	2.492	3.268	4.149
						NC	-	18	23	27	30	33	36	38
						Throw	7-10-16	10-15-25	13-20-34	17-25-42	20-31-46	24-36-50	27-41-54	31-46-57
Two Slot — 2" Slot Width	Vertical Throw	10" Oval Inlet	2 ft.	CFM	170	260	350	440	530	620	710	800		
				Ps	.008	.019	.035	.056	.081	.110	.145	.184		
				Pt	.017	.039	.072	.113	.164	.225	.294	.374		
				NC	-	21	26	29	32	35	37	40		
			Throw	3-5-10	5-8-16	7-11-21	9-13-27	11-16-29	13-19-32	14-22-34	16-24-36			
			4 ft.	CFM	340	520	700	880	1060	1240	1420	1600		
				Ps	.012	.028	.050	.079	.115	.158	.207	.262		
				Pt	.046	.108	.196	.309	.449	.614	.806	1.023		
				NC	15	23	28	31	34	37	39	42		
			Throw	5-7-15	7-11-22	10-15-30	13-19-38	15-23-41	18-27-45	20-31-48	23-34-51			
			5 ft.	CFM	425	650	875	1100	1325	1550	1775	2000		
				Ps	.015	.036	.065	.103	.150	.205	.269	.341		
				Pt	.069	.162	.293	.463	.671	.919	1.205	1.529		
				NC	17	24	29	33	36	38	41	43		
				Throw	7-10-16	10-15-25	13-20-34	17-25-42	20-31-46	24-36-50	27-41-54	31-46-57		

FORMATIONS PERFORMANCE DATA

2 SLOT COMBO BLADE VERTICAL THROW WITH METALAIRE PLENUM

Two Slot — 2" Slot Width	Vertical Throw	12" Oval Inlet	2 ft.	CFM	170	260	350	440	530	620	710	800
				Ps	.008	.020	.036	.057	.083	.113	.148	.188
Pt	.014	.032	.058	.092	.133	.182	.239	.303				
NC	-	17	22	27	30	33	36	38				
Throw	3-5-10	5-8-16	7-11-21	9-13-27	11-16-29	13-19-32	14-22-34	16-24-36				
Two Slot — 2.5" Slot Width <td rowspan="2">Vertical Throw <td rowspan="2">12" Oval Inlet <td rowspan="2">2 ft. <td>CFM</td> <td>215</td> <td>330</td> <td>440</td> <td>550</td> <td>665</td> <td>775</td> <td>890</td> <td>1000</td> </td></td></td>	Vertical Throw <td rowspan="2">12" Oval Inlet <td rowspan="2">2 ft. <td>CFM</td> <td>215</td> <td>330</td> <td>440</td> <td>550</td> <td>665</td> <td>775</td> <td>890</td> <td>1000</td> </td></td>	12" Oval Inlet <td rowspan="2">2 ft. <td>CFM</td> <td>215</td> <td>330</td> <td>440</td> <td>550</td> <td>665</td> <td>775</td> <td>890</td> <td>1000</td> </td>	2 ft. <td>CFM</td> <td>215</td> <td>330</td> <td>440</td> <td>550</td> <td>665</td> <td>775</td> <td>890</td> <td>1000</td>	CFM	215	330	440	550	665	775	890	1000
				Ps	.009	.021	.038	.060	.086	.118	.155	.196
Pt	.017	.041	.073	.114	.166	.226	.297	.376				
NC	-	17	23	27	30	33	36	38				
Throw	4-6-12	6-9-18	8-12-24	10-15-30	12-18-33	14-21-35	16-24-38	18-27-40				
Two Slot — 2.5" Slot Width <td rowspan="2">Vertical Throw <td rowspan="2">12" Oval Inlet <td rowspan="2">4 ft. <td>CFM</td> <td>430</td> <td>655</td> <td>880</td> <td>1105</td> <td>1330</td> <td>1550</td> <td>1775</td> <td>2000</td> </td></td></td>	Vertical Throw <td rowspan="2">12" Oval Inlet <td rowspan="2">4 ft. <td>CFM</td> <td>430</td> <td>655</td> <td>880</td> <td>1105</td> <td>1330</td> <td>1550</td> <td>1775</td> <td>2000</td> </td></td>	12" Oval Inlet <td rowspan="2">4 ft. <td>CFM</td> <td>430</td> <td>655</td> <td>880</td> <td>1105</td> <td>1330</td> <td>1550</td> <td>1775</td> <td>2000</td> </td>	4 ft. <td>CFM</td> <td>430</td> <td>655</td> <td>880</td> <td>1105</td> <td>1330</td> <td>1550</td> <td>1775</td> <td>2000</td>	CFM	430	655	880	1105	1330	1550	1775	2000
				Ps	.013	.030	.054	.085	.123	.169	.221	.280
Pt	.046	.107	.193	.305	.441	.600	.787	.999				
NC	-	19	25	29	32	35	38	40				
Throw	6-8-17	8-13-25	11-17-34	14-21-42	17-26-46	20-30-50	23-34-54	26-38-57				
Two Slot — 2.5" Slot Width <td rowspan="2">Vertical Throw <td rowspan="2">12" Oval Inlet <td rowspan="2">5 ft. <td>CFM</td> <td>540</td> <td>820</td> <td>1100</td> <td>1380</td> <td>1660</td> <td>1940</td> <td>2220</td> <td>2500</td> </td></td></td>	Vertical Throw <td rowspan="2">12" Oval Inlet <td rowspan="2">5 ft. <td>CFM</td> <td>540</td> <td>820</td> <td>1100</td> <td>1380</td> <td>1660</td> <td>1940</td> <td>2220</td> <td>2500</td> </td></td>	12" Oval Inlet <td rowspan="2">5 ft. <td>CFM</td> <td>540</td> <td>820</td> <td>1100</td> <td>1380</td> <td>1660</td> <td>1940</td> <td>2220</td> <td>2500</td> </td>	5 ft. <td>CFM</td> <td>540</td> <td>820</td> <td>1100</td> <td>1380</td> <td>1660</td> <td>1940</td> <td>2220</td> <td>2500</td>	CFM	540	820	1100	1380	1660	1940	2220	2500
				Ps	.017	.039	.070	.111	.160	.219	.287	.364
Pt	.069	.160	.288	.453	.656	.895	1.173	1.487				
NC	-	21	26	30	34	37	39	41				
Throw	7-11-19	11-17-28	15-23-38	19-28-47	23-34-52	27-40-56	31-46-60	34-52-64				

FORMATIONS PERFORMANCE DATA

2 SLOT COMBO BLADE VERTICAL THROW WITH METALAIRE PLENUM

Two Slot — 3" Slot Width	Vertical Throw	12" Oval Inlet	2 ft.	CFM	430	595	760	925	1090	1250	1415	1580
				Ps	.022	.042	.068	.101	.139	.185	.236	.294
				Pt	.055	.105	.172	.254	.353	.465	.596	.743
				NC	-	19	24	28	31	34	36	38
				Throw	7-11-21	10-15-30	13-19-35	15-23-39	18-27-42	21-31-45	23-34-48	26-36-51
			4 ft.	CFM	865	1190	1520	1850	2175	2505	2830	3160
				Ps	.031	.060	.097	.144	.199	.264	.337	.420
				Pt	.166	.314	.512	.759	1.049	1.391	1.776	2.214
				NC	16	21	26	30	33	36	38	40
				Throw	10-15-30	14-21-42	18-27-50	22-32-55	25-38-59	29-44-64	33-48-68	37-51-72
			5 ft.	CFM	1080	1490	1900	2310	2720	3130	3540	3950
				Ps	.041	.078	.126	.187	.259	.343	.439	.546
				Pt	.250	.477	.775	1.145	1.588	2.103	2.690	3.350
				NC	17	23	28	31	34	37	39	41
				Throw	14-20-34	19-28-47	24-36-55	29-43-61	34-51-66	39-59-71	44-64-76	50-68-80

FORMATIONS PERFORMANCE DATA

PRESSURIZED CEILING PLENUM WITH COMBO BLADE PATTERN CONTROLLER

HORIZONTAL FLOW

Slot Width	Slots	CFM/LF	Throw (ft)							
			25	40	65	80	95	110	125	140
1" Slot Width	1 Slot	Ps	.023	.058	.152	.230	.325	.436	.563	.706
		NC	-	21	35	40	45	49	52	55
		Throw	6-11-15	9-13-19	12-17-24	13-19-27	14-20-29	15-22-31	16-23-33	17-25-35
		CFM/LF	40	60	100	120	145	165	190	210
	2 Slot	Ps	.015	.033	.092	.133	.194	.251	.333	.406
		NC	-	18	30	35	41	44	48	51
		Throw	5-13-19	10-16-23	15-21-30	16-23-33	18-25-36	19-27-38	20-29-41	21-30-43
		CFM/LF	45	75	120	145	175	195	225	255
1.5" Slot Width	1 Slot	Ps	.023	.063	.160	.226	.331	.423	.563	.723
		NC	-	19	31	36	41	45	48	52
		Throw	5-12-16	9-15-21	13-19-27	14-20-29	16-23-32	17-24-34	18-26-36	19-27-39
		CFM/LF	30	50	80	95	115	130	150	170
	2 Slot	Ps	.013	.037	.094	.137	.200	.248	.330	.424
		NC	-	16	26	31	36	39	44	47
		Throw	6-14-20	12-18-26	16-23-33	18-25-36	19-28-39	20-29-41	22-32-45	23-34-47
		CFM/LF	45	75	120	145	175	195	225	255
2" Slot Width	1 Slot	Ps	.025	.061	.162	.242	.242	.481	.613	.761
		NC	-	15	27	33	33	42	46	48
		Throw	4-12-18	9-16-22	14-20-28	15-22-31	15-22-31	18-26-37	19-28-39	20-29-41
		CFM/LF	35	55	90	110	110	155	175	195
	2 Slot	Ps	.015	.037	.093	.139	.139	.283	.360	.446
		NC	-	-	23	28	28	37	41	44
		Throw	4-13-22	9-19-27	16-24-35	19-27-38	19-27-38	22-32-46	24-34-48	25-36-51
		CFM/LF	55	85	135	165	165	235	265	295
2.5" Slot Width	1 Slot	Ps	.025	.056	.156	.225	.329	.426	.564	.689
		NC	-	-	24	29	34	38	42	44
		Throw	4-12-19	8-16-23	14-21--30	16-23-33	18-25-36	19-27-38	20-29-41	21-30-43
		CFM/LF	40	60	100	120	145	165	190	210
	2 Slot	Ps	.014	.033	.091	.130	.195	.252	.327	.400
		NC	-	-	20	24	29	33	37	39
		Throw	3-13-23	7-19-28	15-26-36	19-28-40	22-31-44	22-37-47	25-35-50	26-37-53
		CFM/LF	60	90	150	180	220	250	285	315
3" Slot Width	1 Slot	Ps	.023	.055	.149	.237	.325	.450	.570	.703
		NC	-	-	23	29	33	38	41	44
		Throw	4-12-20	9-18-25	15-23-32	18-25-36	19-27-39	21-30-42	22-32-45	23-33-47
		CFM/LF	45	70	115	145	170	200	225	250
	2 Slot	Ps	.014	.032	.090	.142	.191	.264	.339	.413
		NC	-	-	19	25	28	33	36	39
		Throw	3-14-25	7-20-30	16-28-39	21-31-44	23-34-47	25-36-51	27-39-55	28-41-58
		CFM/LF	70	105	175	220	255	300	340	375

FORMATIONS PERFORMANCE DATA

PRESSURIZED CEILING PLENUM WITH COMBO BLADE PATTERN CONTROLLER

VERTICAL FLOW

Slot Width	Slots	CFM/LF	Airflow Performance											
			Ps	NC	Throw	CFM/LF	Ps	NC	Throw	CFM/LF	Ps	NC	Throw	
1" Slot Width	1 Slot	CFM/LF	50	75	100	120	140	160	180	200				
		Ps	.033	.074	.131	.189	.257	.335	.424	.524				
		NC	-	20	25	29	32	34	36	38				
		Throw	3-11-18	4-15-22	5-18-25	6-19-27	7-21-29	9-22-31	10-24-33	11-25-35				
	2 Slot	CFM/LF	75	115	150	180	210	240	270	300				
		Ps	.022	.052	.089	.128	.174	.227	.287	.355				
		NC	-	18	23	26	29	32	34	36				
		Throw	3-12-22	4-18-27	6-22-30	7-24-33	8-26-36	9-27-39	10-29-41	11-30-43				
1.5" Slot Width	1 Slot	CFM/LF	65	95	125	150	175	200	225	250				
		Ps	.027	.068	.100	.145	.197	.257	.326	.402				
		NC	-	18	24	27	30	33	35	37				
		Throw	3-12-20	4-17-24	5-20-28	7-22-30	8-23-33	9-25-35	10-26-37	11-28-39				
	2 Slot	CFM/LF	110	160	215	255	300	340	385	425				
		Ps	.023	.049	.089	.125	.174	.223	.286	.349				
		NC	-	18	24	27	30	32	35	37				
		Throw	3-14-26	5-21-31	7-26-36	8-28-40	9-30-43	11-32-46	12-35-49	13-36-51				
2" Slot Width	1 Slot	CFM/LF	100	150	200	240	280	320	360	400				
		Ps	.039	.089	.158	.227	.309	.403	.511	.630				
		NC	-	22	27	31	33	36	38	40				
		Throw	4-16-25	6-22-30	8-25-35	9-27-39	11-29-42	12-31-45	14-33-47	15-35-50				
	2 Slot	CFM/LF	150	225	300	360	420	480	540	600				
		Ps	.027	.060	.106	.153	.208	.272	.344	.425				
		NC	-	19	25	28	31	34	36	38				
		Throw	4-17-30	6-25-37	8-30-43	10-33-47	11-36-51	13-39-55	14-41-58	16-43-61				
2.5" Slot Width	1 Slot	CFM/LF	125	190	250	300	350	400	450	500				
		Ps	.041	.095	.164	.237	.322	.421	.533	.658				
		NC	-	22	27	31	33	36	38	40				
		Throw	4-18-28	6-24-34	8-28-39	10-30-43	12-33-47	13-35-50	15-37-53	17-39-56				
	2 Slot	CFM/LF	190	285	375	450	525	600	675	750				
		Ps	.028	.064	.111	.160	.217	.284	.359	.443				
		NC	-	19	25	28	31	34	36	38				
		Throw	5-19-34	7-29-42	9-34-48	11-37-53	13-40-57	14-43-61	16-46-65	18-48-68				
3" Slot Width	1 Slot	CFM/LF	150	225	300	360	420	480	540	600				
		Ps	.047	.106	.189	.272	.370	.484	.612	.756				
		NC	-	22	27	31	33	36	38	40				
		Throw	5-19-30	7-26-37	9-30-43	11-33-47	13-36-51	15-39-55	17-41-58	18-43-61				
	2 Slot	CFM/LF	225	340	450	540	630	720	810	900				
		Ps	.032	.073	.128	.184	.250	.327	.413	.510				
		NC	-	19	25	28	31	34	36	38				
		Throw	5-21-37	7-31-46	10-37-53	12-41-58	14-44-62	16-47-67	18-50-71	20-53-75				

PERFORMANCE NOTES FOR FORMATIONS SERIES

All data is tested in accordance with ANSI/ASHRAE 70-2006.

DEFINITION OF UNITS

CFM Cubic Feet per Minute (air)

CFM/LF Cubic Feet per Minute per Linear Foot (air)

Velocity Velocity of air stream in Feet per Minute

Ps Negative static pressure (inches of water column)

NC Noise criterion, sound pressure level NC ratings are based on sound power level (Lw) re: 10^{-12} watts minus a 10dB room attenuation in all octave bands

1. All pressures are given in inches of water.
2. Isothermal throws are given for velocities of 150, 100 and 50 FPM.
3. Throw values are based on a 1-way discharge from the slot with the controller set at 0 discharge. For 2-way discharges, throw is based upon the number and size of the slots throwing in each direction, with the total supply air flow split equally between all slots in the unit.
4. Data was collected in accordance to ASHRAE Standard 70-2006 "Method of Testing for Rating the Performance of Air Outlets and Inlets"
5. Correction factor tables are only to be used with continuous pressurized ceiling plenum performance data.

Table 1. NC Correction For Length

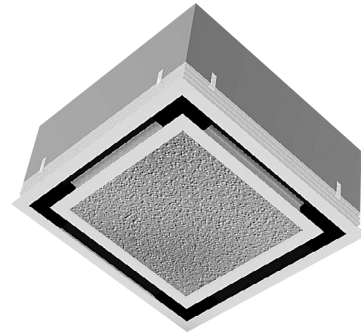
Length (feet)	2	4	6	8	10
Supply	-2	+0	+2	+3	+5
Return	+0	+3	+5	+6	+8

Table 2. Throw Correction Multiplier For Length

Length (feet)	2	4	8	10	12
Throw Correction	0.72	0	1.5	1.7	1.8

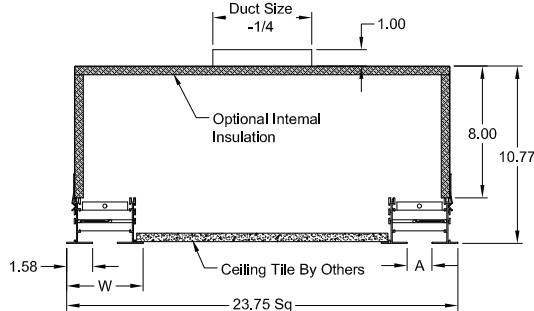
MODEL FAI (INTEGRA)

The appeal of Formations Integra is its design. Laying in an acoustical tee bar or hard ceiling, the specified ceiling material becomes the face of the Integra diffuser that fully integrates the ceiling and the diffuser. Integra is available in 1", 1.5" and 2" slot widths. Constructed of extruded aluminum, Integra diffusers are available for either supply or return and can be field adjusted for one-, two-, three- or four-way directional air flow. Air patterns can be adjusted for horizontal or vertical throws.

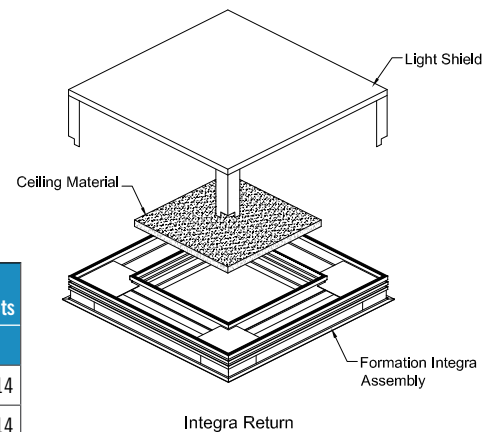
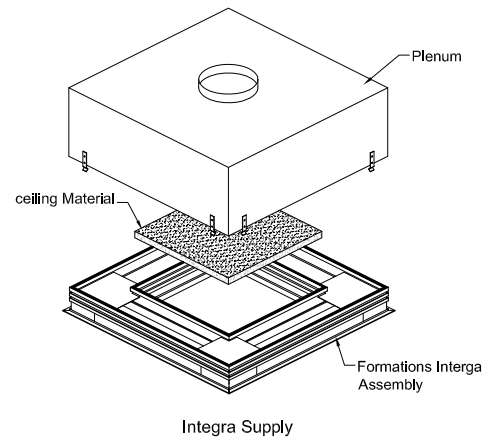
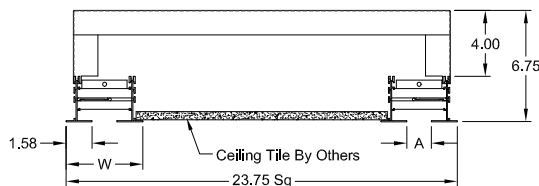


- Available size – 24 x 24
- Available inlets – 6", 8", 10", 12", 14" or no inlet
- Finish – white face with black interior
- Optional steel center panel

- Model: FAI-10, 15, 20 = Non Insulated
- Model: FAII-10, 15, 20 = Insulated
- Model: FAIB-10, 15, 20 = Bolt Slot Non Insulated
- Model: FAIBI-10, 15, 20 = Bolt Slot Insulated

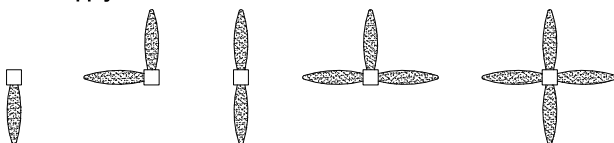


- Model: FAIR-10, 15, 20 = Return
- Model: FAIBR-10, 15, 20 = Bolt Slot Return



Models	Formations Unit A Slot Width	Number of Slots	W (width)	Standard available inlets	
				Round	
FAI, FAII, FAIR, FAIB, FAIBI, FAIBR-10	1"	1	4 1/8	6, 8, 10, 12, 14	
FAI, FAII, FAIR, FAIB, FAIBI, FAIBR-15	1 1/2"	1	4 5/8	6, 8, 10, 12, 14	
FAI, FAII, FAIR, FAIB, FAIBI, FAIBR-20	2"	1	5 1/8	6, 8, 10, 12, 14	

Optional Supply Air Patterns



SERIES FORMATIONS SPECIFICATIONS

FORMATIONS ARCHITECTURAL LINEAR SLOT DIFFUSER — EXTRUDED ALUMINUM — MODELS FAI/FAIR

- Diffusers shall be models FAI/FAIR manufactured by METALAIRE. Units shall be constructed of heavy wall extruded aluminum. The units shall be in 1", 1 1/2" or 2" slot widths. One or two slot units shall be provided.
- The diffusers shall be available in 24" X 24". The units shall be the size and quantity as outlined in the plans and specifications.

Performance Specification

The manufacturer shall provide published performance data. Data shall be tested in accordance to ANSI/ASHRAE Standard 70-2006.

Paint Specification

Process shall be anodic electro-deposition using an anodic acrylic paint. Units shall undergo pre-treatment including a pressurized spray stage using an alkaline cleaner and a de-ionized water rinse.

FORMATIONS MODEL NUMBER SPECIFICATIONS ARCHITECTURAL LINEAR

Model	Slot Width	Border Style	Inlet	# of Slots	Length	Finish	Mtg Hdw	Pattern Controller	Available Options	
FAI	10-1"	AA	NI - No Inlet	1	24 x 24	20 - White/Black	F1	C - Combo	FODR	Face Operated Damper
FAII	15-1.5"		06						F6	S - Straight
FAIR	20-2"		08					ROD	Remote Operated Damper	
			10					CC	Closed Cell Insulation	
			12					EI	External Insulation	
			14							

METALAIRE INTEGRA 24 X 24

1.5" Slot Width	Four Way Throw	6" Inlet	CFM	80	120	155	190	225	260	300
			Ps	.024	.049	.084	.128	.181	.244	.315
Pt	.035	.072	.123	.187	.264	.355	.459			
NC	-	17	23	28	32	36	39			
Throw	3-5-10	5-7-13	6-9-14	7-11-16	9-2-17	10-13-19	12-14-20			
1.5" Slot Width	Four Way Throw	8" Inlet	CFM	85	120	160	195	230	265	300
			Ps	.013	.026	.043	.065	.091	.122	.157
Pt	.016	.033	.056	.084	.118	.158	.203			
NC	-	18	24	29	33	36	40			
Throw	3-5-10	5-7-13	6-9-15	8-11-16	9-12-18	10-13-19	12-14-20			
1.5" Slot Width	Four Way Throw	10" Inlet	CFM	90	130	165	205	240	275	315
			Ps	0.009	0.018	0.03	0.045	0.063	0.084	0.108
Pt	0.011	0.022	0.036	0.054	0.075	0.1	0.129			
NC	-	19	25	30	34	37	40			
Throw	4-5-11	5-8-13	7-10-15	8-12-17	9-13-18	11-14-19	12-15-21			
1.5" Slot Width	Four Way Throw	12" Inlet	CFM	100	140	175	210	245	280	320
			Ps	.008	.014	.023	.034	.046	.061	.077
Pt	.009	.016	.026	.038	.052	.069	.087			
NC	-	20	26	31	35	38	41			
Throw	4-6-12	5-8-14	7-10-15	8-12-17	10-13-18	11-14-19	12-15-21			
1.5" Slot Width	Three Way Throw	6" Inlet	CFM	70	100	125	155	180	210	235
			Ps	.021	.041	.066	.099	.137	.182	.233
Pt	.029	.056	.092	.137	.190	.252	.323			
NC	-	17	23	28	32	35	39			
Throw	2-4-7	3-5-10	4-6-13	5-8-14	6-9-16	7-10-17	8-12-18			
1.5" Slot Width	Three Way Throw	8" Inlet	CFM	75	105	130	160	190	215	245
			Ps	.012	.022	.035	.052	.072	.095	.121
Pt	.015	.027	.044	.065	.090	.118	.151			
NC	-	18	24	29	33	36	39			
Throw	3-4-8	3-5-10	4-7-13	5-8-15	6-9-16	7-11-17	8-12-18			
1.5" Slot Width	Three Way Throw	10" Inlet	CFM	75	105	135	165	195	225	255
			Ps	0.007	0.014	0.023	0.035	0.049	0.065	0.084
Pt	0.008	0.016	0.027	0.041	0.057	0.076	0.097			
NC	-	18	24	29	34	37	40			
Throw	2-4-7	3-5-10	4-7-13	5-8-15	6-10-16	7-11-17	8-13-18			
1.5" Slot Width	Three Way Throw	12" Inlet	CFM	70	105	135	165	195	225	260
			Ps	.005	.009	.016	.024	.034	.046	.060
Pt	.005	.011	.018	.027	.038	.051	.066			
NC	-	18	24	29	34	38	41			
Throw	2-4-7	3-5-10	4-7-13	5-8-15	7-10-16	8-11-17	9-13-19			

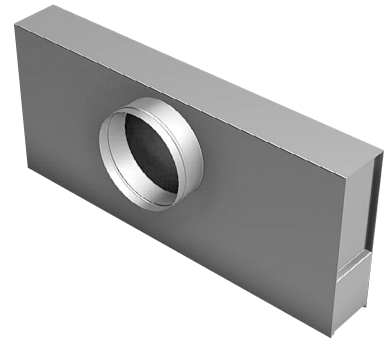
LINEAR DIFFUSERS
AND GRILLES

FORMATIONS
LINEAR DIFFUSERS

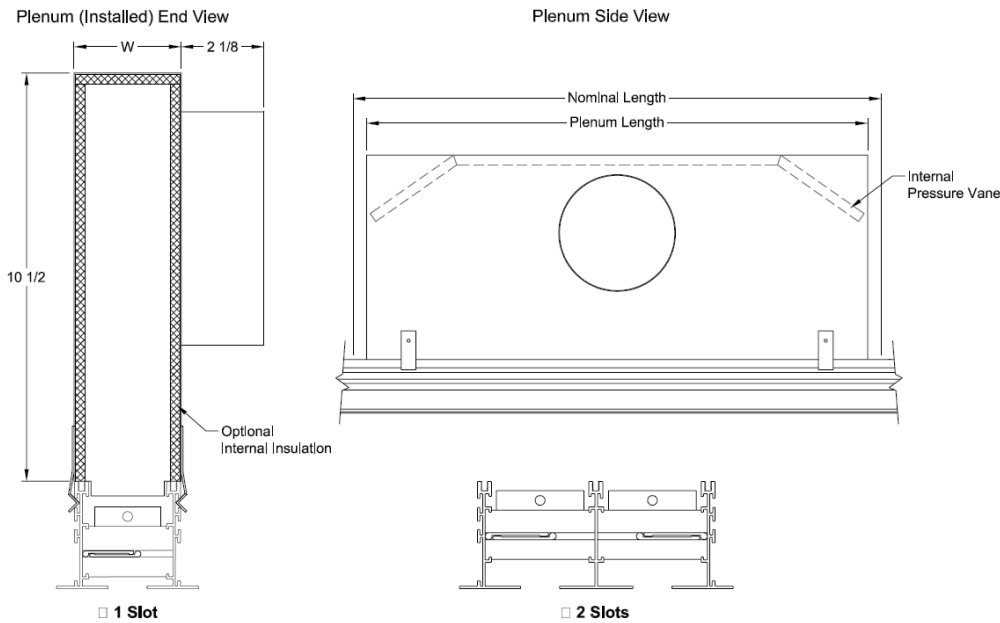
FAI

MODEL UP-FAL

The Formations plenum, model UP-FAL, is designed to connect model FAL to the ducted supply or return system. The UP-FAL is constructed from coated steel and is offered with standard 6" round inlet and oval inlets up to 14". The overall height of the plenum is 10 1/2".



- Available with 1/2" insulation, model UPI-FAL
- Optional external insulation, EI, and internal closed cell insulation, CC, are also available
- Standard inlet sizes 6", 8", 10", 12", 14" or NI (no inlet)
- Available in 24", 36", 48", 60" and 72" lengths



Inlet Chart			
Size	Type	A	B
6	Round	5 7/8	
8	Oval	5 7/8	8 15/16
10	Oval	5 7/8	12 1/16
12	Oval	5 7/8	15 1/4
14	Oval	5 7/8	18 7/16

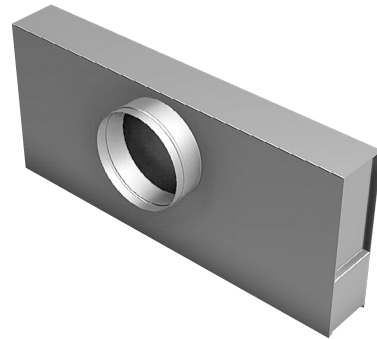
Insulation Options	
STD	Standard Insulation 1/2" Fiberglass
CC	Closed Cell Foam
EI	Externally Insulated 1/2" Foilback Fiberglass

Models	Formation Unit Slot Width	Number of Slots	W (width)	Nominal Length
FAP, FAPI-10	1	1	2 3/4	24, 36, 48, 60
FAP, FAPI-15	1 1/2	1	3 3/4	24, 36, 48, 60
FAP, FAPI-20	2	1	4 3/4	24, 36, 48, 60
FAP, FAPI-25	2 1/5	1	5 3/4	24, 36, 48, 60
FAP, FAPI-30	3	1	6 3/4	24, 36, 48, 60

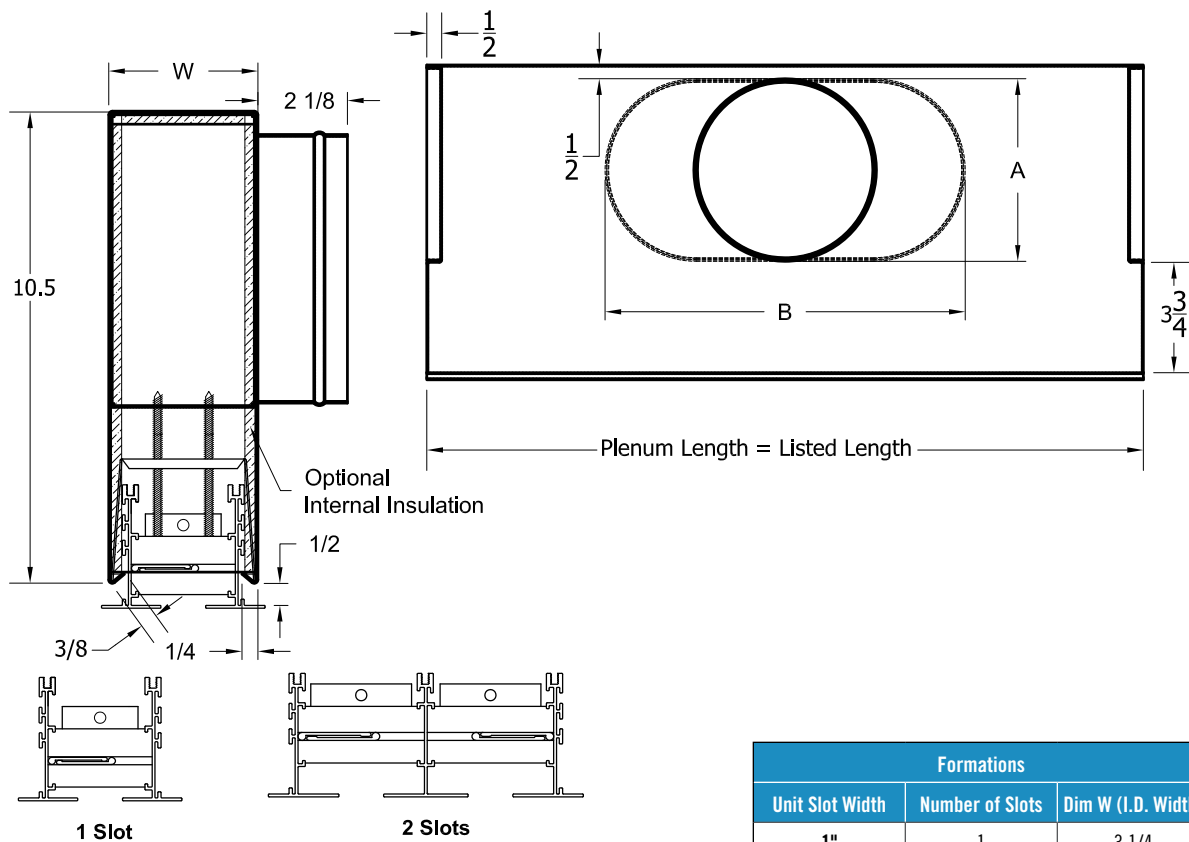
Models	Formation Unit Slot Width	Number of Slots	W (width)	Nominal Length
FAP, FAPI-10	1	1	5 1/8	24, 36, 48, 60
FAP, FAPI-15	1 1/2	1	7 1/8	24, 36, 48, 60
FAP, FAPI-20	2	1	9 1/8	24, 36, 48, 60
FAP, FAPI-25	2 1/5	1	11 1/8	24, 36, 48, 60
FAP, FAPI-30	3	1	13 1/8	24, 36, 48, 60

MODEL UP-FALC

The Formations hemmed plenum, model UP-FALC, is designed to connect model FALC to the ducted supply or return system. The UP-FALC is constructed from coated steel and is offered with standard 6" round inlet and oval inlets up to 14". The overall height of the plenum is 10 1/2".



- Available with 1/2" insulation, model UPI-FALC
- Optional external insulation, EI, and internal closed cell insulation, CC, are also available
- Standard inlet sizes 6", 8", 10", 12", 14" or NI (no inlet)
- Available in 24", 36", 48", 60" and 72" lengths



Inlet Chart			
Size	Type	A	B
6	Round	5 7/8	
8	Oval	5 7/8	8 15/16
10	Oval	5 7/8	12 1/16
12	Oval	5 7/8	15 1/4
14	Oval	5 7/8	18 7/16

Formations		
Unit Slot Width	Number of Slots	Dim W (I.D. Width)
1"	1	3 1/4
1.5"	1	4 1/4
2"	1	5 1/4
2.5"	1	6 1/4
3"	1	7 1/4
1"	2	5 5/8
1.5"	2	7 5/8
2"	2	9 5/8
2.5"	2	11 5/8
3"	2	13 5/8

FORMATIONS MODEL SPECIFICATIONS

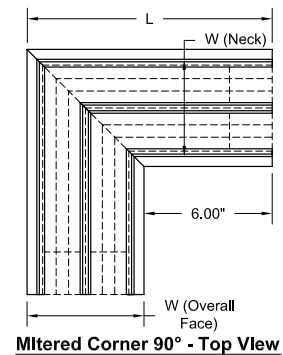
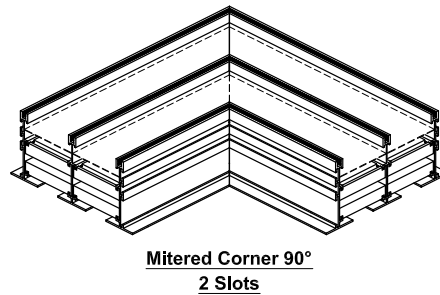
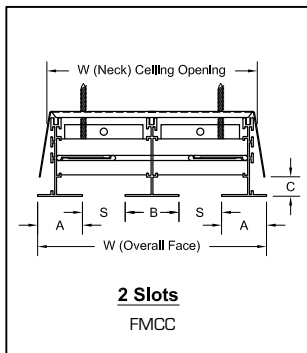
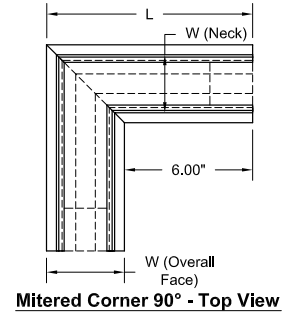
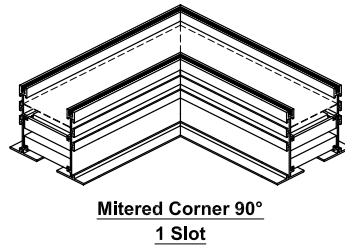
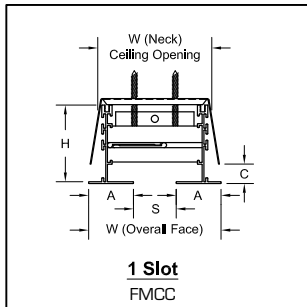
MODEL UP/UIP

Model	Slot Width	Frame Style	Inlet	# of Slots	Length	End Detail	Pattern Controller	Available Options	
UP-FAL	10-1"	- 1	NI - No Inlet	1	24"	2EB	C - Combo	FODR	Face Operated Damper
UPI-FAL	15-1.5"	- 6	06	2	36"	1EB	S - Straight	ID	Inlet Damper
UP-FALC	20-2"		08		48"	2EC		ROD	Remote Operated Damper
UPI-FALC	25-2.5"		10		60"	1EC		CC	Closed Cell Insualtion
	30-3"		12		72"	MM		EI	External Insulation
			14			00			
						MO			

FORMATIONS MITERED CORNER 90°

FMC - FORMATION MITERED CORNER UNIT

FMCC - FORMATION MITERED CORNER CONCEAL MOUNT UNIT

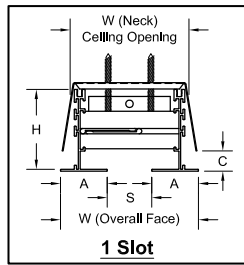


Model: FMC/FMCC 90					
Model	Number of Slots	Slot Width	L	W (Neck)	W (Face OA)
FMC-10/FMCC-10 90	1	1"	9 5/8	2 7/16	3 5/8
FMC-15/FMCC-15 90		1 1/2"	10 5/8	3 7/16	4 5/8
FMC-20/FMCC-20 90		2"	11 5/8	4 7/16	5 5/8
FMC-25/FMCC-25 90		2 1/2"	12 5/8	5 7/16	6 5/8
FMC-30/FMCC-30 90		3"	13 5/8	6 7/16	7 5/8
FMC-10/FMCC-10 90	2	1"	12	4 13/16	6
FMC-15/FMCC-15 90		1 1/2"	14	6 13/16	8
FMC-20/FMCC-20 90		2"	16	8 13/16	10
FMC-25/FMCC-25 90		2 1/2"	18	10 13/16	12
FMC-30/FMCC-30 90		3"	20	12 13/16	14

FORMATIONS MITERED CORNERS 135°

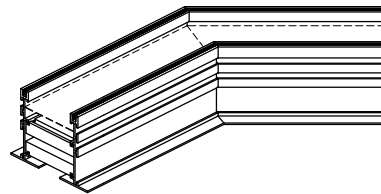
FMC - FORMATIONS MITERED CORNER UNIT

FMCC - FORMATIONS MITERED CORNER CONCEAL MOUNT UNIT



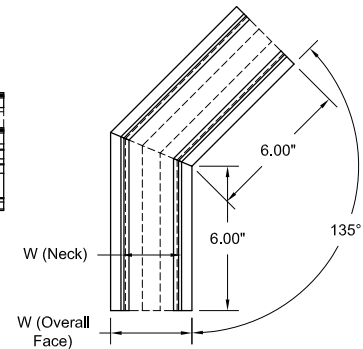
1 Slot

FMCC

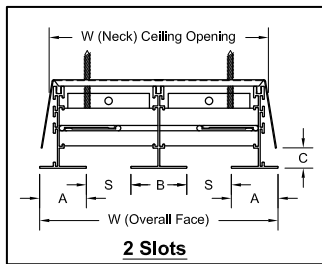


Mitered Corner 135°

1 Slot

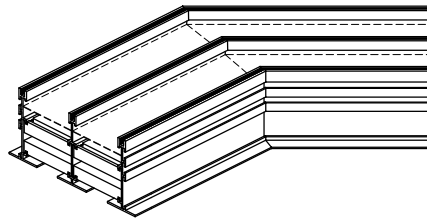


Mitered Corner 135° - Top View



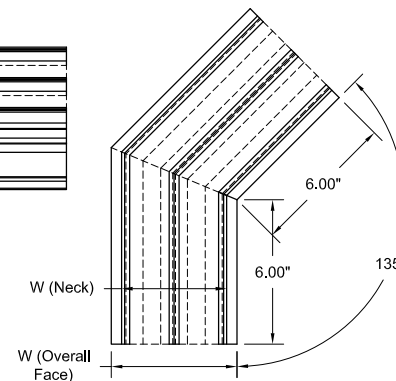
2 Slots

FMCC



Mitered Corner 135°

2 Slot



Mitered Corner 135° - Top View

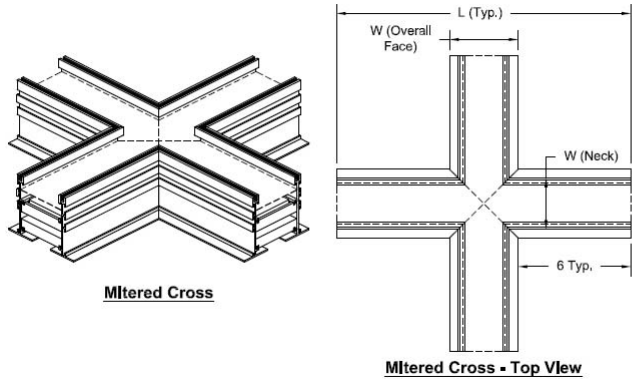
Model: FMC/FMCC 135

Model	Number of Slots	Slot Width	W (Neck)	W (Face OA)
FMC-10/FMCC-10 135	1	1"	2 7/16	3 5/8
FMC-15/FMCC-15 135		1 1/2"	3 7/16	4 5/8
FMC-20/FMCC-20 135		2"	4 7/16	5 5/8
FMC-25/FMCC-25 135		2 1/2"	5 7/16	6 5/8
FMC-30/FMCC-30 135		3"	6 7/16	7 5/8
FMC-10/FMCC-10 135	2	1"	4 13/16	6
FMC-15/FMCC-15 135		1 1/2"	6 13/16	8
FMC-20/FMCC-20 135		2"	8 13/16	10
FMC-25/FMCC-25 135		2 1/2"	10 13/16	12
FMC-30/FMCC-30 135		3"	12 13/16	14

FORMATIONS MITERED UNIT

FAC - FORMATIONS MITERED CROSS UNIT

FACC - FORMATIONS MITERED CROSS CONCEAL MOUNT

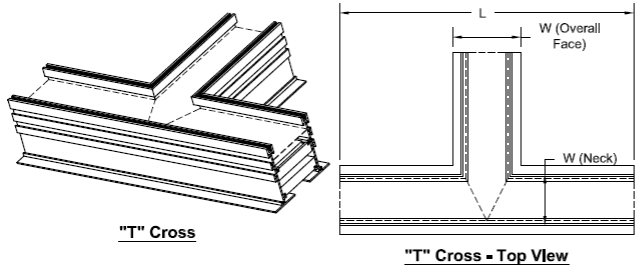


Mitered Cross					
Model	Number of Slots	Slot Width	L	W (Neck)	W (Face OA)
FAC/FACC-10	1	1"	15 5/8	2 7/16	3 5/8
FAC/FACC-15		1 1/2"	16 5/8	3 7/16	4 5/8
FAC/FACC-20		2"	17 5/8	4 7/16	5 5/8
FAC/FACC-25		2 1/2"	18 5/8	5 7/16	6 5/8
FAC/FACC-30		3"	19 5/8	6 7/16	7 5/8
FAC/FACC-10	2	1"	18	4 13/16	6
FAC/FACC-15		1 1/2"	20	6 13/16	8
FAC/FACC-20		2"	22	8 13/16	10
FAC/FACC-25		2 1/2"	24	10 13/16	12
FAC/FACC-30		3"	26	12 13/16	14

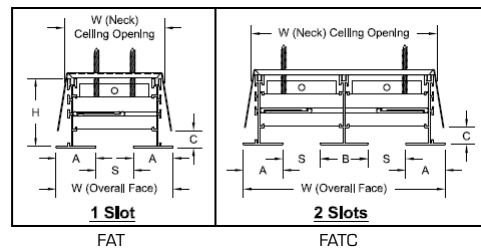
FORMATIONS MITERED TEE UNIT

FAT - FORMATIONS MITERED TEE UNIT

FATC - FORMATIONS MITERED TEE CONCEAL MOUNT



"T" Cross					
Model	Number of Slots	Slot Width	L	W (Neck)	W (Face OA)
FAT/FATC-10	1	1"	15 5/8	2 7/16	3 5/8
FAT/FATC-15		1 1/2"	16 5/8	3 7/16	4 5/8
FAT/FATC-20		2"	17 5/8	4 7/16	5 5/8
FAT/FATC-25		2 1/2"	18 5/8	5 7/16	6 5/8
FAT/FATC-30		3"	19 5/8	6 7/16	7 5/8
FAT/FATC-10	2	1"	18	4 13/16	6
FAT/FATC-15		1 1/2"	20	6 13/16	8
FAT/FATC-20		2"	22	8 13/16	10
FAT/FATC-25		2 1/2"	24	10 13/16	12
FAT/FATC-30		3"	26	12 13/16	14



FORMATIONS ACCESSORIES

LIGHT SHIELD

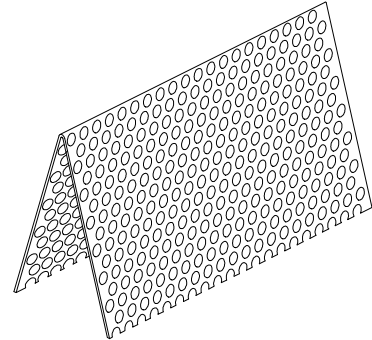
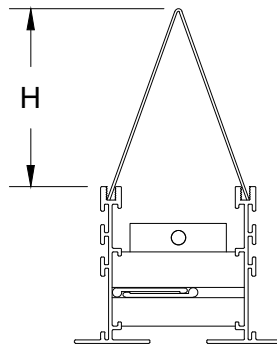
Model: FAR-10 = 1" Slot = Non-Insulation

Model: FAR-15 = 1 1/2" Slot = Non-Insulation

Model: FAR-20 = 2" Slot = Non-Insulation

Model: FAR-25 = 2 1/2" Slot = Non-Insulation

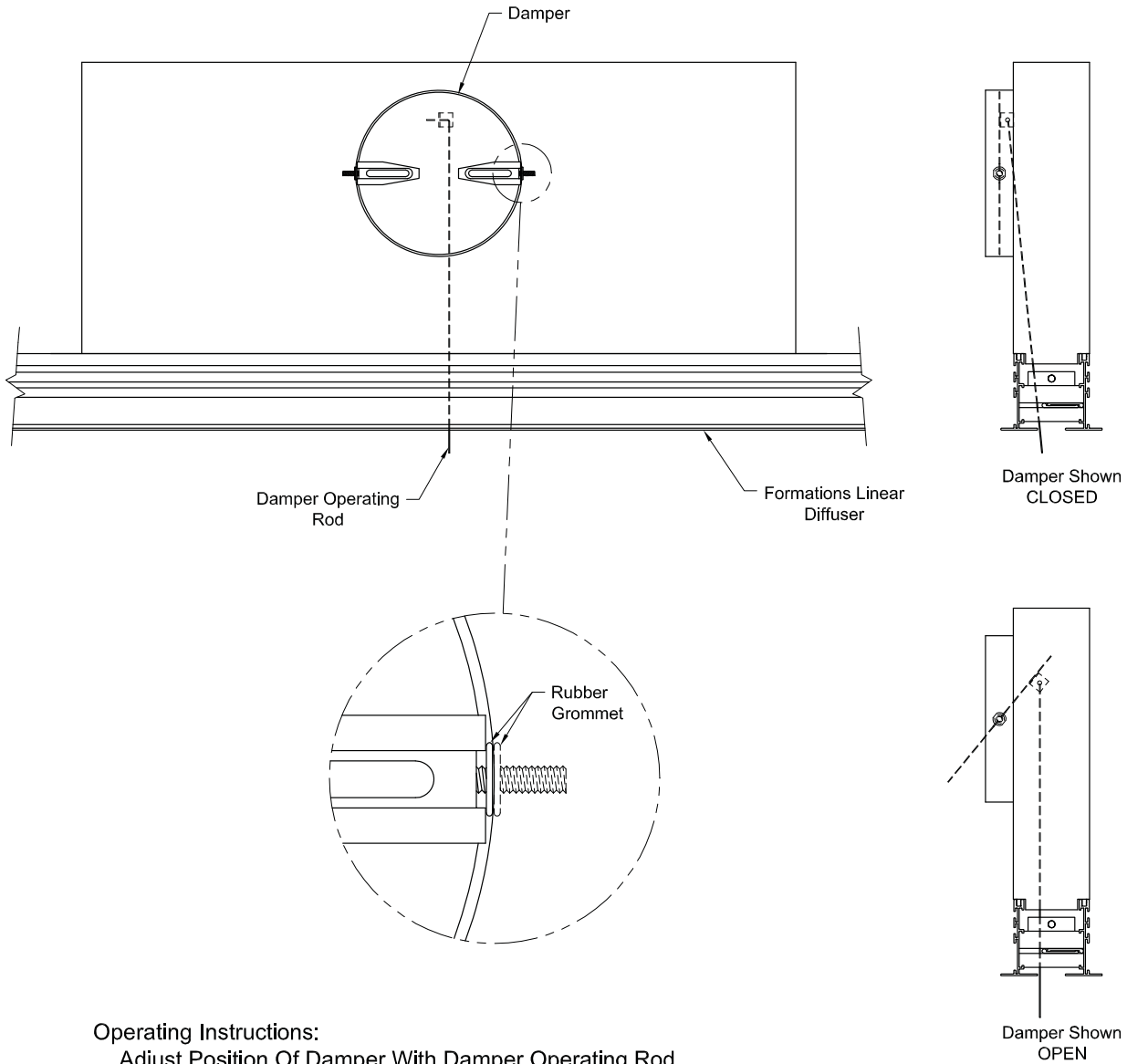
Model: FAR-30 = 3" Slot = Non-Insulation



Slot Number	Slot Width	DIM H
1	1	3 1/8
	1 1/2	3 1/8
	2	3 1/8
	2 1/2	3 1/8
	3	3 1/8
Slot Number	Slot Width	DIM H
2	1	2 3/4
	1 1/2	3
	2	3 3/4
	2 1/2	5
	3	5 3/4

FORMATIONS ACCESSORIES

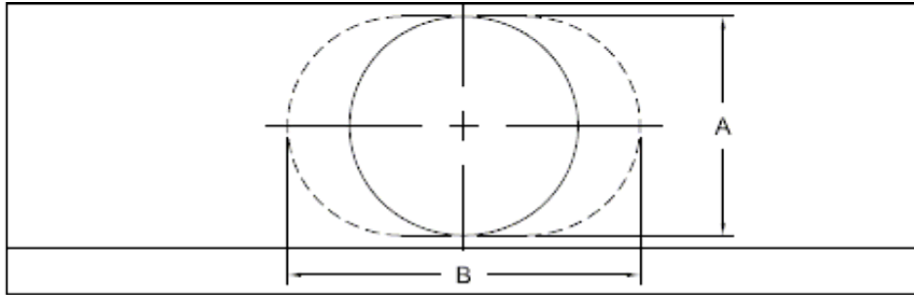
FODR — FACE OPERATED DAMPER ROD



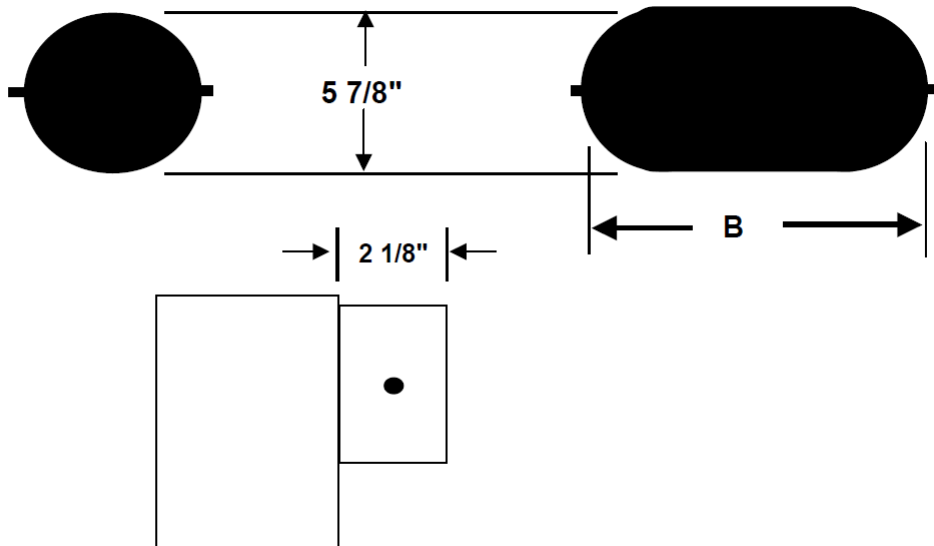
Operating Instructions:
Adjust Position Of Damper With Damper Operating Rod,
Bend Damper Operating Rod to Conceal Behind Face Slot.

FORMATIONS ACCESSORIES

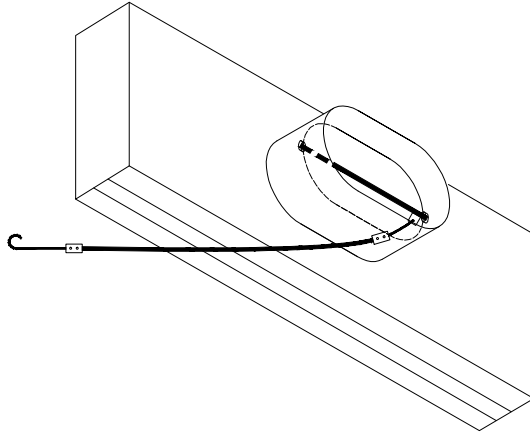
ID - INLET DAMPER



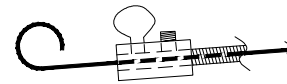
Available Inlets	Round Dim. (A)	Oval Dim. (A x B)
6	5 - 7/8	—
8	—	5 - 7/8 x 8 - 15/16
10	—	5 - 7/8 x 12 - 1/16
12	—	5 - 7/8 x 15 - 1/4
14	—	5 - 7/8 x 18 - 7/16



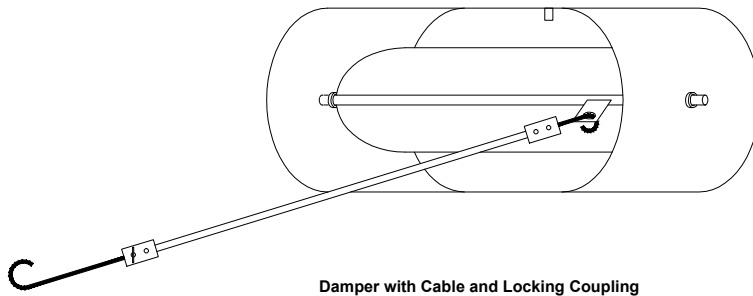
FORMATIONS ACCESSORIES ROD - REMOTE OPERATED DAMPER



Damper Installed



Operator with Locking Coupler



Damper with Cable and Locking Coupling

Available
6"
8"
10"
12"

LINEAR SLOT DIFFUSERS

The METALAIRE line of linear diffusers is designed for applications such as perimeter office space, airport terminals, convention centers and shopping malls. These diffusers are aesthetically pleasing without compromising performance.

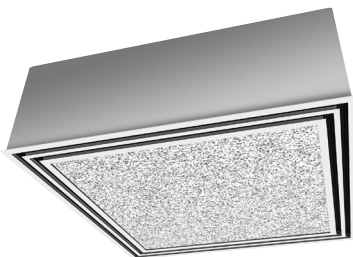
ALUMINUM LINEAR SLOT DIFFUSER



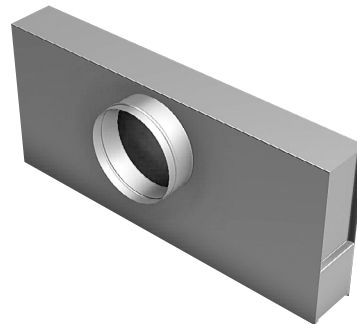
ALUMINUM SPIRAL PIPE SLOT DIFFUSER



ALUMINUM MODULAR SLOT DIFFUSER



PLENUMS



Aluminum Linear Slot Diffuser. The 6600 series is an excellent choice for continuous linear applications where the diffuser can direct air along the perimeter wall or glass and towards the occupied area to maximize comfort.

6600 – Aluminum linear supply

6600-R – Aluminum linear return.

PAGE 69

Aluminum Spiral Pipe Slot Diffuser. The 6600-SP series is designed to integrate into exposed spiral duct systems. The pattern controllers are fully adjustable and can be set from horizontal to vertical discharge.

6610-SP – Aluminum spiral pipe supply

6610-RSP – Aluminum spiral pipe return

PAGE 100

Aluminum Modular Slot Diffuser. The 6600-SQ series modular slot diffuser is designed for lay-in ceiling grids including standard T-bar, Tegular and Donn Finline. The design allows a ceiling tile (by others) to be installed from the face of the diffuser without having to remove the plenum.

6600-SQ – Aluminum modular supply

6600-SQI – Aluminum modular supply – Insulated

6600-SQR – Aluminum modular return

PAGE 105

Penums. The UP-6600 series plenum is designed to connect the 6600 series linear slot diffuser to the ducted supply or return.

UP-6600 – Boot plenum

UPI-6600 – Boot plenum - Insulated

PAGE 111

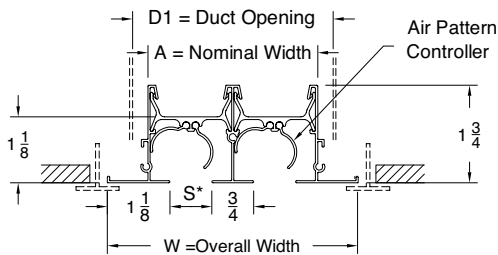
MODEL 6600

The 6600 series supply and return slot diffuser is an excellent choice for continuous linear applications. The flexibility of the 6600 allows the diffuser to be installed in a variety of applications including perimeter office space and large public areas such as airport terminals, convention centers or shopping malls.

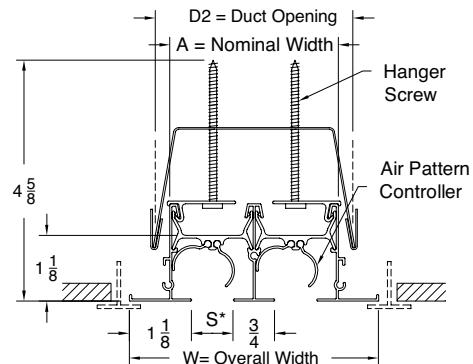


- Available in single sections up to 96" which give a clean appearance and easy installation with fewer joints to line up
- Available in 1 to 8 slots with 1/2", 3/4", 1" or 1 1/2" slot widths
- Aluminum pattern controllers are adjustable from the face and can be set to adjust volume or throw direction from vertical to horizontal
- Wide choice of border styles and mounting frames
- Optional curving is available for architectural enhancement
- 6600R is designed for return applications

□ Models: 6600-10-6 (Lay in T-Bar - 1 1/8 Border - No Hardware)

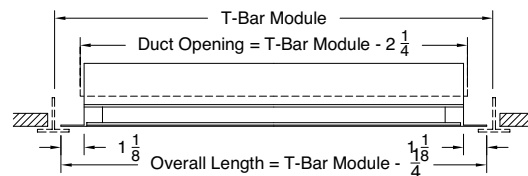
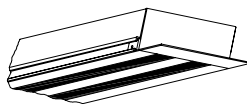


Model: 6600-12-6 (Lay in T-Bar - 1 1/8 Border - With Hardware)



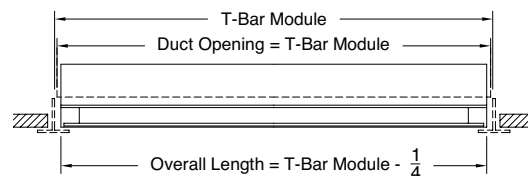
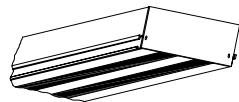
(6600-10-6 & 6600-12-6 Models - End Border)

□ Option: End Border

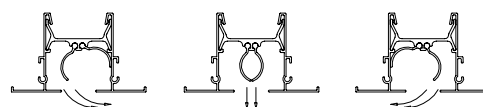


(6600-10-6 & 6600-12-6 Models - End Cap)

□ Option: End Cap



Air Deflection Patterns

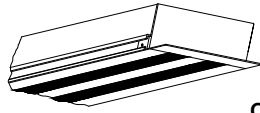
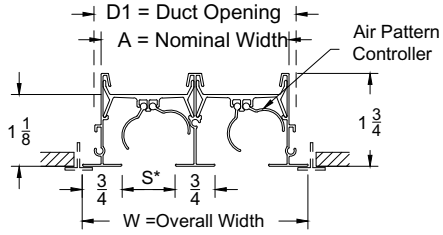


Model 6675 (10-6 & 12-6)								
S=3/4 Slot	Number Of Slots							
	1	2	3	4	5	6	7	8
A	1 9/16	3 1/16	4 9/16	6 1/16	7 9/16	9 1/16	10 9/16	12 1/16
D1	2	3 1/2	5	6 1/2	8	9 3/4	11	12 1/2
D2	2 1/2	4	5 1/2	7	8 1/2	10 1/4	11 1/2	13
W	3	4 1/2	6	7 1/2	9	10 1/2	12	13 1/2

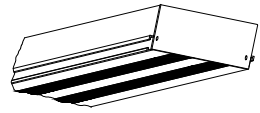
Model 6610 (10-6 & 12-6)								
S=1 Slot	Number Of Slots							
	1	2	3	4	5	6	7	8
A	1 13/16	3 9/16	5 5/16	7 1/16	8 13/16	10 9/16	12 5/16	14 1/16
D1	2 1/4	4	5 5/8	7 1/2	9 1/4	11	12 3/4	14 1/2
D2	2 3/4	4 1/2	6 1/8	8	9 3/4	11 1/2	13 1/4	15
W	3 1/4	5	6 3/4	8 1/2	10 1/4	12	13 3/4	15 1/2

Model 6615 (10-6 & 12-6)								
S=1 1/2 Slot	Number Of Slots							
	1	2	3	4	5	6	7	8
A	2 5/16	4 9/16	6 13/16	9 1/16	N/A	N/A	N/A	N/A
D1	2 3/4	5	7 1/4	9 1/2	N/A	N/A	N/A	N/A
D2	3 1/4	6	7 3/4	10	N/A	N/A	N/A	N/A
W	3 3/4	6	8 1/4	10 1/2	N/A	N/A	N/A	N/A

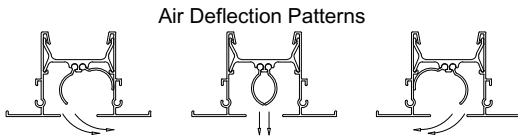
**Model: 6600-20-6 (3/4" Border - Lay in T-Bar)
(No Hardware)**



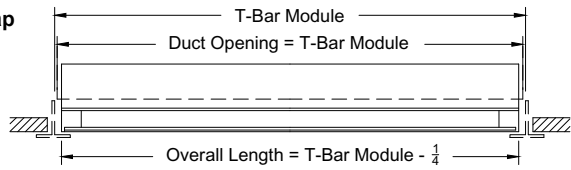
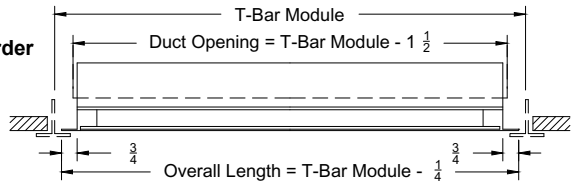
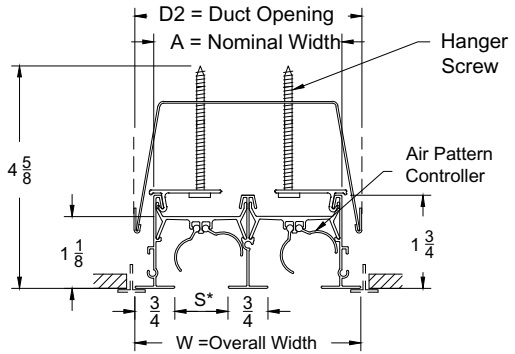
Option: End Border



Option: End Cap



**Model: 6600-22-6 (3/4" Border - Lay in T-Bar)
(With Hanger Bracket - Concealed Mount)**



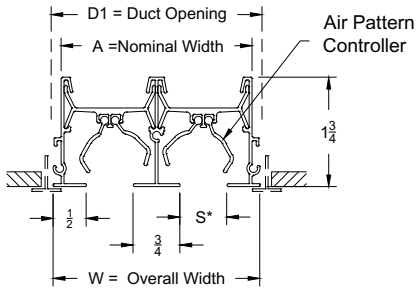
Model 6650 (20-6 & 22-6)								
S=1/2 Slot	Number of Slots							
	1	2	3	4	5	6	7	8
A	1 5/16	2 9/16	3 13/16	5 1/16	6 5/16	7 9/16	8 13/16	10 1/16
D1	1 11/16	2 13/16	4 3/16	5 3/8	6 9/16	8 1/8	9 7/16	10 5/16
D2	1 13/16	3 1/16	4 5/16	5 9/16	6 13/16	8 1/16	9 5/16	10 9/16
W	2	3 1/4	4 1/2	5 3/4	7	8 1/4	9 1/2	10 3/4

Model 6675 (20-6 & 22-6)								
S=3/4 Slot	Number of Slots							
	1	2	3	4	5	6	7	8
A	1 9/16	3 1/16	4 9/16	6 1/16	7 9/16	9 1/16	10 9/16	12 1/16
D1	1 13/16	2 5/16	5	6 5/8	7 13/16	9 5/16	10 13/16	12 1/4
D2	2 1/16	3 9/16	5 1/16	6 9/16	8 1/16	9 9/16	11 1/16	12 9/16
W	2 1/4	3 3/4	5 1/4	6 3/4	8 1/4	9 3/4	11 1/4	12 3/4

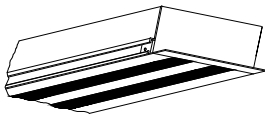
Model 6610 (20-6 & 22-6)								
S=1 Slot	Number of Slots							
	1	2	3	4	5	6	7	8
A	1 13/16	3 9/16	5 5/16	7 1/16	8 13/16	10 9/16	12 5/16	14 1/16
D1	2 1/8	3 15/16	5 5/8	7 3/8	9 1/4	10 7/8	13 3/4	14 1/2
D2	2 5/16	4 1/16	5 13/16	7 9/16	9 5/16	11 1/16	12 13/16	14 9/16
W	2 1/2	4 1/4	6	7 3/4	9 1/2	11 1/4	13	14 3/4

Model 6615 (20-6 & 22-6)								
S=1 1/2 Slot	Number of Slots							
	1	2	3	4	5	6	7	8
A	2 5/16	4 9/16	6 13/16	9 1/16	N/A	N/A	N/A	N/A
D1	2 5/8	4 7/8	7 1/8	9 3/8	N/A	N/A	N/A	N/A
D2	2 13/16	5 1/16	7 5/16	9 9/16	N/A	N/A	N/A	N/A
W	3	5 1/4	7 1/2	9 3/4	N/A	N/A	N/A	N/A

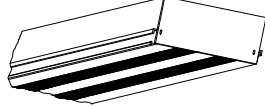
**Model: 6600-30-6 (1/2" Border)
(Lay in T-Bar - No Hardware)**



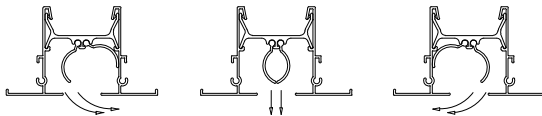
Option: End Border



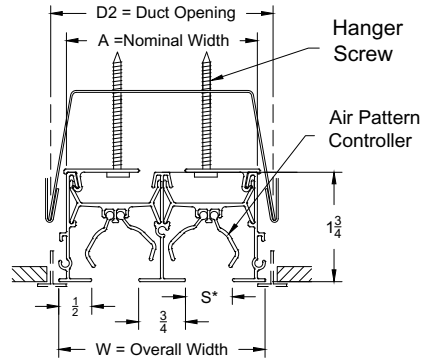
Option: End Cap



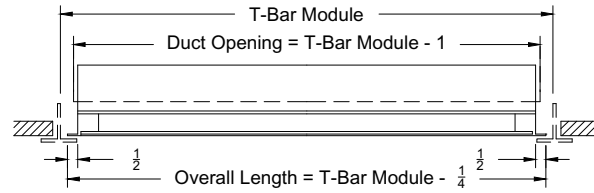
Air Deflection Patterns



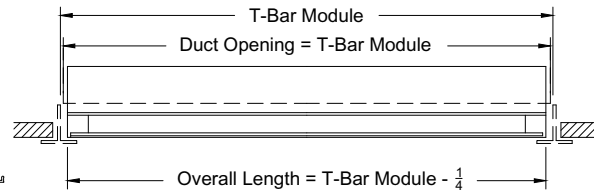
**Model: 6600-32-6 (1/2" Border - Lay in T-Bar)
(With Concealed Mount Hardware)**



End Border (Models: 6600-30-6 and 6600-32-6)



End Cap (Models: 6600-30-6 and 6600-32-6)



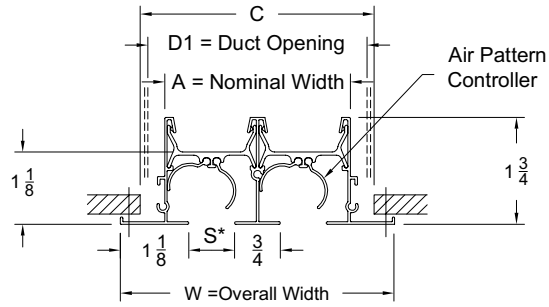
Model 6650 (30-6 & 32-6)								
S=1/2 Slot	Number of Slots							
	1	2	3	4	5	6	7	8
A	1 5/16	2 9/16	3 13/16	5 1/16	6 5/16	7 9/16	8 13/16	10 1/16
D1	1 9/16	2 13/16	4 1/16	5 5/16	6 9/16	7 13/16	9 1/16	10 5/16
D2	1 13/16	3 1/16	4 5/16	5 9/16	6 13/16	8 1/16	9 5/16	10 9/16
W	1 9/16	2 13/16	4 1/16	5 5/16	6 9/16	7 13/16	9 1/16	10 5/16

Model 6675 (30-6 & 32-6)								
S=3/4 Slot	Number of Slots							
	1	2	3	4	5	6	7	8
A	1 9/16	3 1/16	4 9/16	6 1/16	7 9/16	9 1/16	10 9/16	12 1/16
D1	1 13/16	3 5/16	4 13/16	6 5/16	7 13/16	9 5/16	10 13/16	12 5/16
D2	2 1/16	3 9/16	5 1/16	6 9/16	8 1/16	9 9/16	11 1/16	12 9/16
W	1 13/16	3 5/16	4 13/16	6 5/16	7 13/16	9 5/16	10 13/16	12 5/16

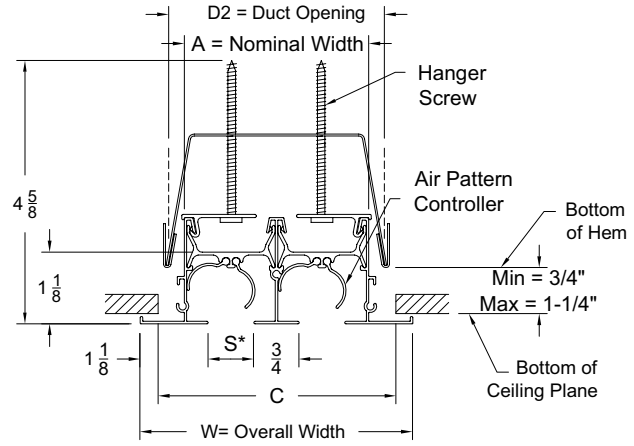
Model 6610 (30-6 & 32-6)								
S=1 Slot	Number of Slots							
	1	2	3	4	5	6	7	8
A	1 13/16	3 9/16	5 5/16	7 1/16	8 13/16	10 9/16	12 5/16	14 1/16
D1	2 1/16	3 13/16	5 9/16	7 5/16	9 1/16	10 13/16	12 9/16	14 5/16
D2	2 5/16	4 1/16	5 13/16	7 9/16	9 5/16	11 1/16	12 13/16	14 9/16
W	2 1/16	3 13/16	5 9/16	7 5/16	9 1/16	10 13/16	12 9/16	14 5/16

Model 6615 (30-6 & 32-6)								
S=1 1/2 Slot	Number of Slots							
	1	2	3	4	5	6	7	8
A	2 5/16	4 9/16	6 13/16	9 1/16	N/A	N/A	N/A	N/A
D1	2 9/16	4 13/16	7 1/16	9 5/16	N/A	N/A	N/A	N/A
D2	2 13/16	5 1/16	7 5/16	9 9/16	N/A	N/A	N/A	N/A
W	5 1/8	7 3/8	9 5/8	11 7/8	N/A	N/A	N/A	N/A

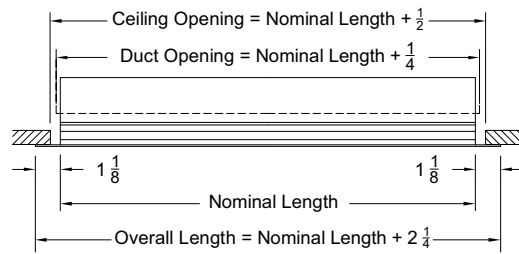
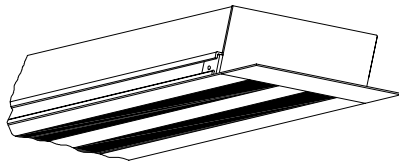
**Models: 6600-11-1 (Face Screw Mounting -
1 1/8 Border - No Hardware)**



**Models: 6600-12-1 (Concealed Surface Mount -
1 1/8 Border - With Hardware)**



End Border



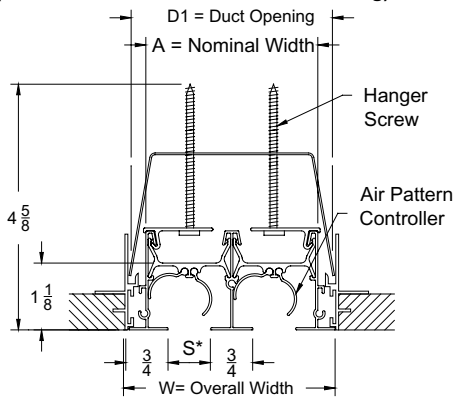
Model 6650 (11-1 & 12-1)								
S=1/2 Slot	Number of Slots							
	1	2	3	4	5	6	7	8
A	1 5/16	2 9/16	3 13/16	5 1/16	6 5/16	7 9/16	8 13/16	10 1/16
D1	1 3/4	3	4 1/4	5 1/2	6 3/4	8	9 1/4	10 1/2
D2	2 1/4	3 1/2	4 3/4	6	7 1/4	8 1/2	9 3/4	11
C	1 7/8	3 1/8	4 3/8	5 5/8	6 7/8	8 1/8	9 3/8	10 5/8
W	2 3/4	4	5 1/4	6 1/2	7 3/4	9	10 1/4	11 1/2

Model 6675 (11-1 & 12-1)								
S=3/4 Slot	Number of Slots							
	1	2	3	4	5	6	7	8
A	1 9/16	3 1/16	4 9/16	6 1/16	7 9/16	9 1/16	10 9/16	12 1/16
D1	2	3 1/2	5	6 1/2	8	9 3/4	11	12 1/2
D2	2 1/2	4	5 1/2	7	8 1/2	10 1/4	11 1/2	13
C	2 1/8	3 5/8	5 1/8	6 5/8	8 1/8	9 7/8	11 1/8	12 5/8
W	3	4 1/2	6	7 1/2	9	10 1/2	12	13 1/2

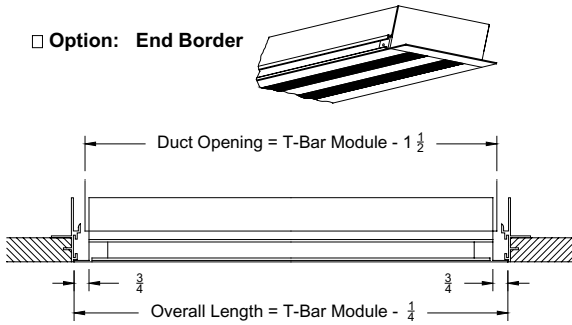
Model 6610 (11-1 & 12-1)								
S=1 Slot	Number of Slots							
	1	2	3	4	5	6	7	8
A	1 13/16	3 9/16	5 5/16	7 1/16	8 13/16	10 9/16	12 5/16	14 1/16
D1	2 1/4	4	5 5/8	7 1/2	9 1/4	11	12 3/4	14 1/2
D2	2 3/4	4 1/2	6 1/8	8	9 3/4	11 1/2	13 1/4	15
C	2 3/8	4 1/8	5 3/4	7 5/8	9 3/8	11 1/8	12 7/8	14 5/8
W	3 1/4	5	6 3/4	8 1/2	10 1/4	12	13 3/4	15 1/2

Model 6615 (11-1 & 12-1)								
S=1 1/2 Slot	Number of Slots							
	1	2	3	4	5	6	7	8
A	2 5/16	4 9/16	6 13/16	9 1/16	N/A	N/A	N/A	N/A
D1	2 3/4	5	7 1/4	9 1/2	N/A	N/A	N/A	N/A
D2	3 1/4	6	7 3/4	10	N/A	N/A	N/A	N/A
C	2 7/8	5	7 3/8	9 5/8	N/A	N/A	N/A	N/A
W	3 3/4	6	8 1/4	10 1/2	N/A	N/A	N/A	N/A

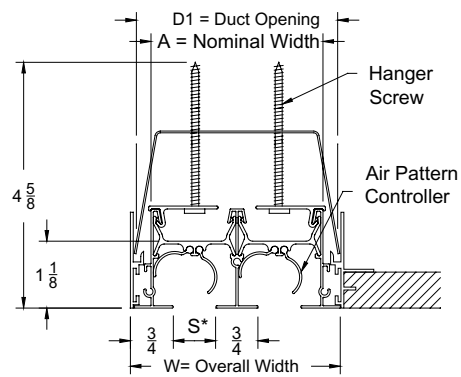
□ Model: 6600-22-73 (3/4" Border Concealed Spline)
(Plaster Frame- with Concealed Mounting)



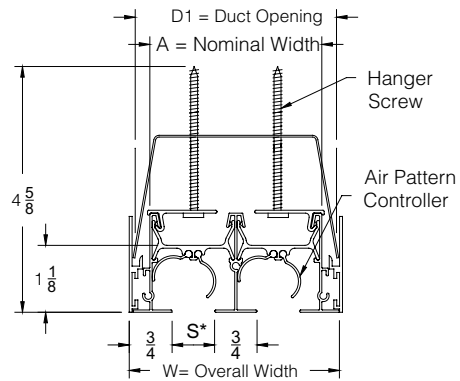
□ Option: End Border



□ Model: 6600-22-74 (3/4" Border Concealed Spline)
(Plaster Frame and Wall Frame- with Concealed Mounting)



□ Model: 6600-22-75 (3/4" Border Concealed Spline)
(Wall Frames- with Concealed Mounting)



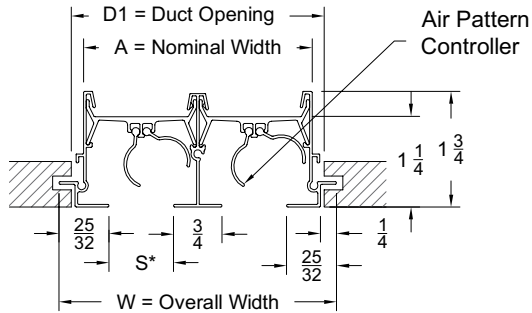
Model 6650 (22-73, 22-74 & 77-75)								
S=1/2 Slot	Number of Slots							
	1	2	3	4	5	6	7	8
A	1 5/16	2 9/16	3 13/16	5 1/16	6 5/16	7 9/16	8 13/16	10 1/16
D1	1 11/16	2 13/16	4 3/16	5 3/8	6 9/16	8 1/8	9 7/16	10 5/16
W	2 1/8	3 3/8	4 5/8	5 7/8	7 1/8	8 3/8	9 5/8	10 7/8

Model 6675 (22-73, 22-74 & 77-75)								
S=3/4 Slot	Number of Slots							
	1	2	3	4	5	6	7	8
A	1 9/16	3 1/16	4 9/16	6 1/16	7 9/16	9 1/16	10 9/16	12 1/16
D1	1 13/16	2 5/16	5	6 5/8	7 13/16	9 5/16	10 13/16	12 1/4
W	2 3/8	3 7/8	5 3/8	6 7/8	8 3/8	9 7/8	11 3/8	12 7/8

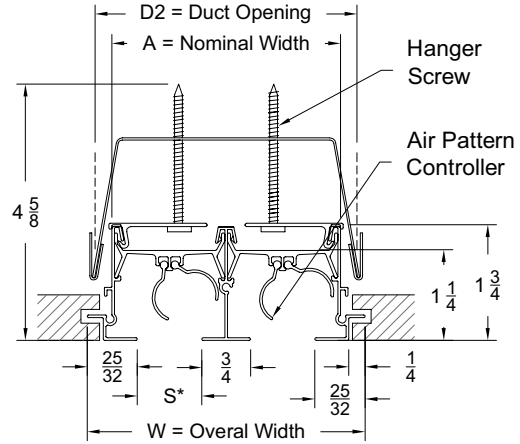
Model 6610 (22-73, 22-74 & 77-75)								
S=1 Slot	Number of Slots							
	1	2	3	4	5	6	7	8
A	1 13/16	3 9/16	5 5/16	7 1/16	8 13/16	10 9/16	12 5/16	14 1/16
D1	2 1/8	3 15/16	5 5/8	7 3/8	9 1/4	10 7/8	13 3/4	14 1/2
W	2 5/8	4 3/8	6 1/8	7 7/8	9 5/8	11 3/8	13 1/8	14 7/8

Model 6615 (22-73, 22-74 & 77-75)								
S=1 1/2 Slot	Number of Slots							
	1	2	3	4	5	6	7	8
A	2 5/16	4 9/16	6 13/16	9 1/16	N/A	N/A	N/A	N/A
D1	2 5/8	4 7/8	7 1/8	9 3/8	N/A	N/A	N/A	N/A
W	3 1/8	5 3/8	7 5/8	9 7/8	N/A	N/A	N/A	N/A

Models: 6600-40-7
(Concealed Spine - No Hardware)

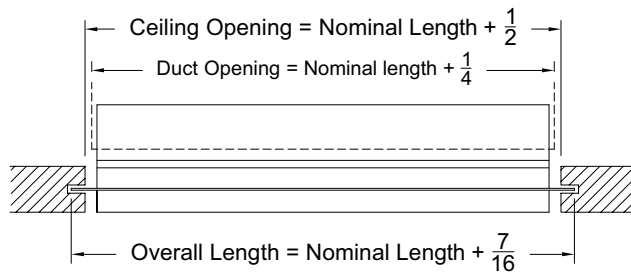
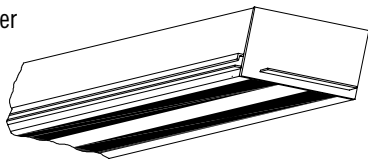


Models: 6600-42-7
(Concealed Spine - with Concealed Mounting Hardware)



Side View (6600-40-7 & 6600 42-7 - End Border)

End Border



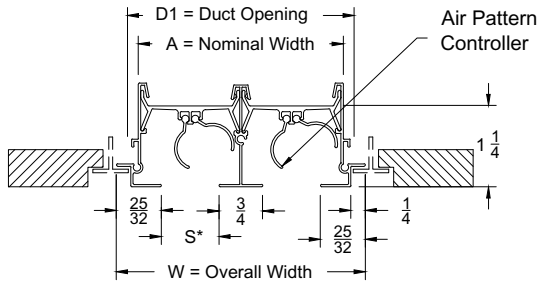
Model 6650 (40-7 & 42-7)								
S=1/2 Slot	Number of Slots							
	1	2	3	4	5	6	7	8
A	1 5/16	2 9/16	3 13/16	5 1/16	6 5/16	7 9/16	8 13/16	10 1/16
D1	1 9/16	2 13/16	4 1/16	5 5/16	6 9/16	7 13/16	9 1/16	10 5/16
D2	1 7/8	3 1/8	4 3/8	5 5/8	6 7/8	8 1/8	9 3/8	10 5/8
W	2 1/16	3 5/16	4 9/16	5 13/16	7 1/16	8 5/16	9 9/16	10 13/16

Model 6675 (40-7 & 42-7)								
S=3/4 Slot	Number of Slots							
	1	2	3	4	5	6	7	8
A	1 9/16	3 1/16	4 9/16	6 1/16	7 9/16	9 1/16	10 9/16	12 1/16
D1	1 13/16	3 5/16	4 13/16	6 5/16	7 13/16	9 5/16	10 13/16	12 5/16
D2	2 1/8	3 5/8	5 1/8	6 5/8	8 1/8	9 5/8	11 1/8	12 5/8
W	2 5/16	3 13/16	5 5/16	6 13/16	8 5/16	9 13/16	11 5/16	12 13/16

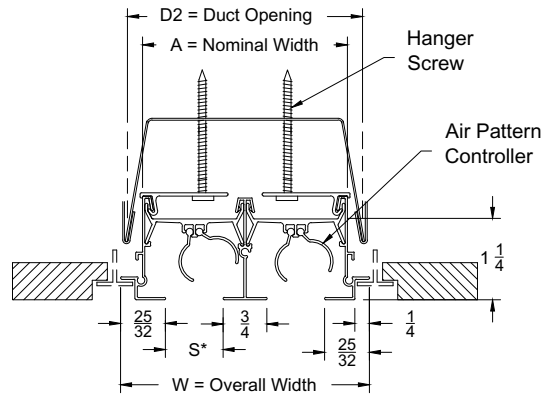
Model 6610 (40-7 & 42-7)								
S=1 Slot	Number of Slots							
	1	2	3	4	5	6	7	8
A	1 13/16	3 9/16	5 5/16	7 1/16	8 13/16	10 9/16	12 5/16	14 1/16
D1	2 1/16	3 13/16	5 9/16	7 5/16	9 1/16	10 13/16	12 9/16	14 5/16
D2	2 3/8	4 1/8	5 7/8	7 5/8	9 3/8	11 1/8	12 7/8	14 5/8
W	2 9/16	4 5/16	6 1/16	7 13/16	9 9/16	11 5/16	13 1/16	14 13/16

Model 6615 (40-7 & 42-7)								
S=1 1/2 Slot	Number of Slots							
	1	2	3	4	5	6	7	8
A	2 5/16	4 9/16	6 13/16	9 1/16	N/A	N/A	N/A	N/A
D1	2 9/16	4 13/16	7 1/16	9 5/16	N/A	N/A	N/A	N/A
D2	2 7/8	5 1/8	7 3/8	9 5/8	N/A	N/A	N/A	N/A
W	3 1/16	5 5/16	7 9/16	9 13/16	N/A	N/A	N/A	N/A

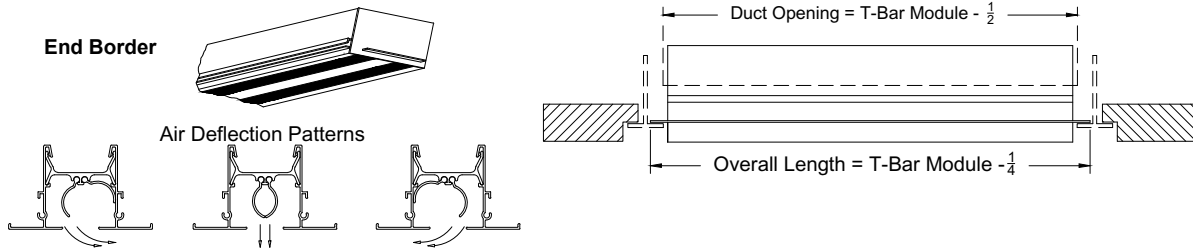
Model: 6600-40-8
(Drop Face - No Hardware)



Model: 6600-42-8
(Drop Face - With Concealed Mounting Hardware)



Side View (6600-40-8, 6600-42-8 & End Border)



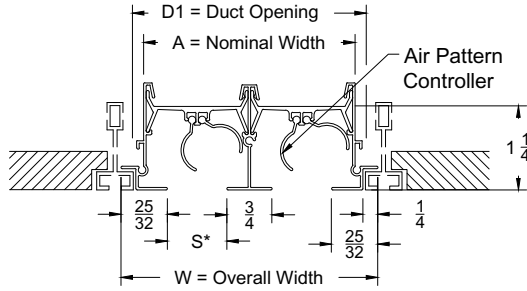
Model 6650 (40-8 & 42-8)								
S=1/2 Slot	Number of Slots							
	1	2	3	4	5	6	7	8
A	1 5/16	2 9/16	3 13/16	5 1/16	6 5/16	7 9/16	8 13/16	10 1/16
D1	1 9/16	2 13/16	4 1/16	5 5/16	6 9/16	7 13/16	9 1/16	10 5/16
D2	1 7/8	3 1/8	4 3/8	5 5/8	6 7/8	8 1/8	9 3/8	10 5/8
W	2 1/16	3 5/16	4 9/16	5 13/16	7 1/16	8 5/16	9 9/16	10 13/16

Model 6675 (40-8 & 42-8)								
S=3/4 Slot	Number of Slots							
	1	2	3	4	5	6	7	8
A	1 9/16	3 1/16	4 9/16	6 1/16	7 9/16	9 1/16	10 9/16	12 1/16
D1	1 13/16	3 5/16	4 13/16	6 5/16	7 13/16	9 5/16	10 13/16	12 5/16
D2	2 1/8	3 5/8	5 1/8	6 5/8	8 1/8	9 5/8	11 1/8	12 5/8
W	2 5/16	3 13/16	5 5/16	6 13/16	8 5/16	9 13/16	11 5/16	12 13/16

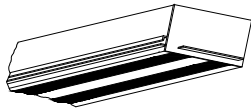
Model 6610 (40-8 & 42-8)								
S=1 Slot	Number of Slots							
	1	2	3	4	5	6	7	8
A	1 13/16	3 9/16	5 5/16	7 1/16	8 13/16	10 9/16	12 5/16	14 1/16
D1	2 1/16	3 13/16	5 9/16	7 5/16	9 1/16	10 13/16	12 9/16	14 5/16
D2	2 3/8	4 1/8	5 7/8	7 5/8	9 3/8	11 1/8	12 7/8	14 5/8
W	2 9/16	4 5/16	6 1/16	7 13/16	9 9/16	11 5/16	13 1/16	14 13/16

Model 6615 (40-8 & 42-8)								
S=1 1/2 Slot	Number of Slots							
	1	2	3	4	5	6	7	8
A	2 5/16	4 9/16	6 13/16	9 1/16	N/A	N/A	N/A	N/A
D1	2 9/16	4 13/16	7 1/16	9 5/16	N/A	N/A	N/A	N/A
D2	2 7/8	5 1/8	7 3/8	9 5/8	N/A	N/A	N/A	N/A
W	3 1/16	5 5/16	7 9/16	9 13/16	N/A	N/A	N/A	N/A

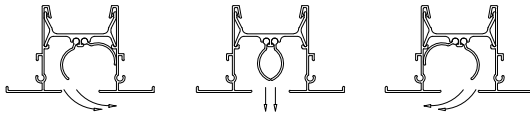
Model: 6600-40-9
(Narrow Tee 9/16 Face - No Hardware)



End Border

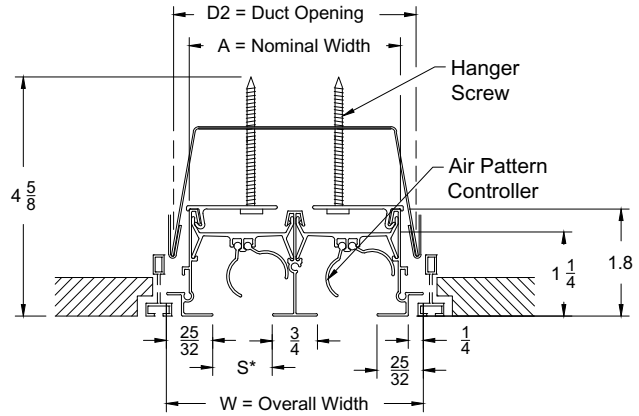


Air Deflection Patterns

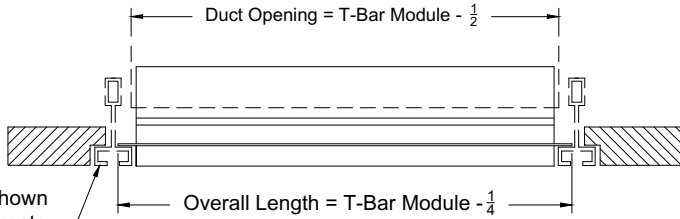


6600-40-9 Model shown with Bolt Grid as an alternate application

Model: 6600-42-9 (Narrow Tee 9/16 Face)
(With Concealed Mount Hardware)



Side View (6600-40-9, 6600-42-9 & End Border)



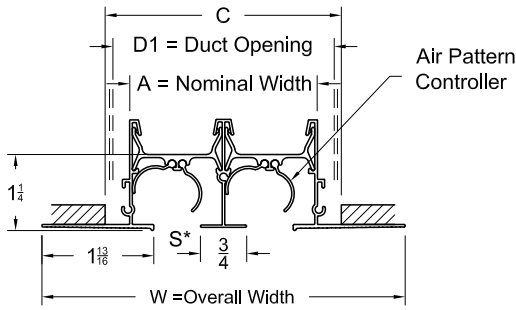
Model 6650 (40-9 & 42-9)								
S=1/2 Slot	Number of Slots							
	1	2	3	4	5	6	7	8
A	1 5/16	2 9/16	3 13/16	5 1/16	6 5/16	7 9/16	8 13/16	10 1/16
D1	1 9/16	2 13/16	4 1/16	5 5/16	6 9/16	7 13/16	9 1/16	10 5/16
D2	1 7/8	3 1/8	4 3/8	5 5/8	6 7/8	8 1/8	9 3/8	10 5/8
W	2 1/16	3 5/16	4 9/16	5 13/16	7 1/16	8 5/16	9 9/16	10 13/16

Model 6675 (40-9 & 42-9)								
S=3/4 Slot	Number of Slots							
	1	2	3	4	5	6	7	8
A	1 9/16	3 1/16	4 9/16	6 1/16	7 9/16	9 1/16	10 9/16	12 1/16
D1	1 13/16	3 5/16	4 13/16	6 5/16	7 13/16	9 5/16	10 13/16	12 5/16
D2	2 1/8	3 5/8	5 1/8	6 5/8	8 1/8	9 5/8	11 1/8	12 5/8
W	2 5/16	3 13/16	5 5/16	6 13/16	8 5/16	9 13/16	11 5/16	12 13/16

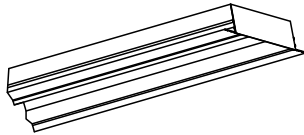
Model 6610 (40-9 & 42-9)								
S=1 Slot	Number of Slots							
	1	2	3	4	5	6	7	8
A	1 13/16	3 9/16	5 5/16	7 1/16	8 13/16	10 9/16	12 5/16	14 1/16
D1	2 1/16	3 13/16	5 9/16	7 5/16	9 1/16	10 13/16	12 9/16	14 5/16
D2	2 3/8	4 1/8	5 7/8	7 5/8	9 3/8	11 1/8	12 7/8	14 5/8
W	2 9/16	4 5/16	6 1/16	7 13/16	9 9/16	11 5/16	13 1/16	14 13/16

Model 6615 (40-9 & 42-9)								
S=1 1/2 Slot	Number of Slots							
	1	2	3	4	5	6	7	8
A	2 5/16	4 9/16	6 13/16	9 1/16	N/A	N/A	N/A	N/A
D1	2 9/16	4 13/16	7 1/16	9 5/16	N/A	N/A	N/A	N/A
D2	2 7/8	5 1/8	7 3/8	9 5/8	N/A	N/A	N/A	N/A
W	3 1/16	5 5/16	7 9/16	9 13/16	N/A	N/A	N/A	N/A

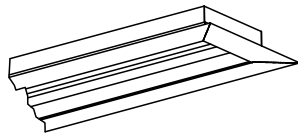
**Model: 6600-50-1 (Surface Mount
No Hardware - Tape & Spackle)**



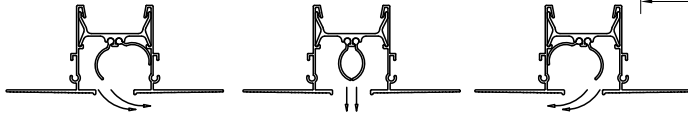
End Cap



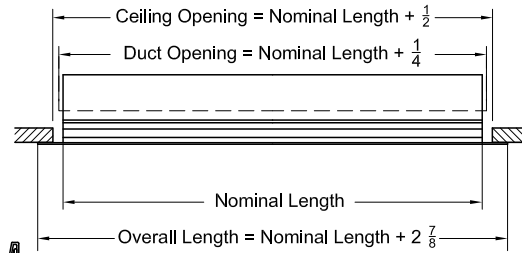
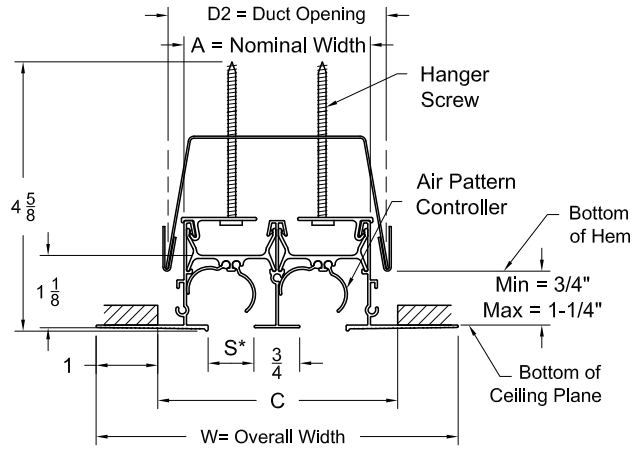
Mitered Border



Air Deflection Patterns



**Model: 6600-52-1 (Concealed Surface Mount
- 1 1/8 Border - With Hardware)**



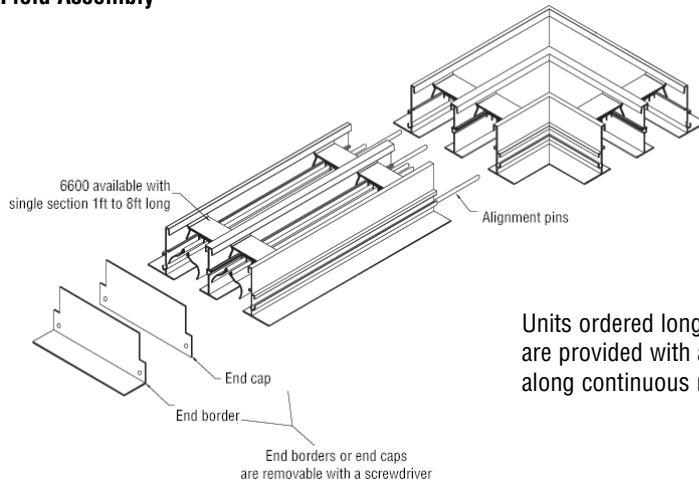
Model 6675 (50-1 & 52-1)								
S=3/4 Slot	Number of Slots							
	1	2	3	4	5	6	7	8
A	1 9/16	3 1/16	4 9/16	6 1/16	7 9/16	9 1/16	10 9/16	12 1/16
D1	2	3 1/2	5	6 1/2	8	9 3/4	11	12 1/2
D2	2 1/2	4	5 1/2	7	8 1/2	10 1/4	11 1/2	13
C	2 1/8	3 5/8	5 1/8	6 5/8	8 1/8	9 7/8	11 1/8	12 5/8
W	4 3/8	5 7/8	7 3/8	8 7/8	10 3/8	11 7/8	13 3/8	14 7/8

Model 6610 (50-1 & 52-1)								
S=1 Slot	Number of Slots							
	1	2	3	4	5	6	7	8
A	1 13/16	3 9/16	5 5/16	7 1/16	8 13/16	10 9/16	12 5/16	14 1/16
D1	2 1/4	4	5 5/8	7 1/2	9 1/4	11	12 3/4	14 1/2
D2	2 3/4	4 1/2	6 1/8	8	9 3/4	11 1/2	13 1/4	15
C	2 3/8	4 1/8	5 3/4	7 5/8	9 3/8	11 1/8	12 7/8	14 5/8
W	4 5/8	6 3/8	8 1/8	9 7/8	11 5/8	13 3/8	15 1/8	16 7/8

Model 6615 (50-1 & 52-1)								
S=1 1/2 Slot	Number of Slots							
	1	2	3	4	5	6	7	8
A	2 5/16	4 9/16	6 13/16	9 1/16	N/A	N/A	N/A	N/A
D1	2 3/4	5	7 1/4	9 1/2	N/A	N/A	N/A	N/A
D2	3 1/4	6	7 3/4	10	N/A	N/A	N/A	N/A
C	2 7/8	5	7 3/8	9 5/8	N/A	N/A	N/A	N/A
W	5 1/8	7	9 5/8	11 7/8	N/A	N/A	N/A	N/A

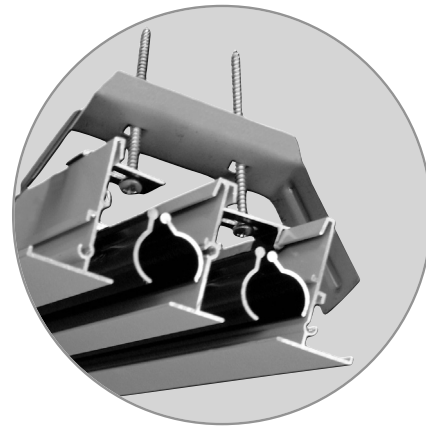
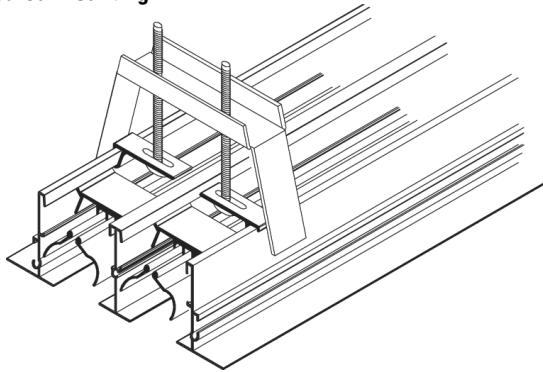
SERIES 6600 INSTALLATION

Field Assembly



Units ordered longer than 8ft are shipped in multiple sections. Units are provided with alignment pins to keep the 6600 diffusers straight along continuous runs.

Concealed Mounting

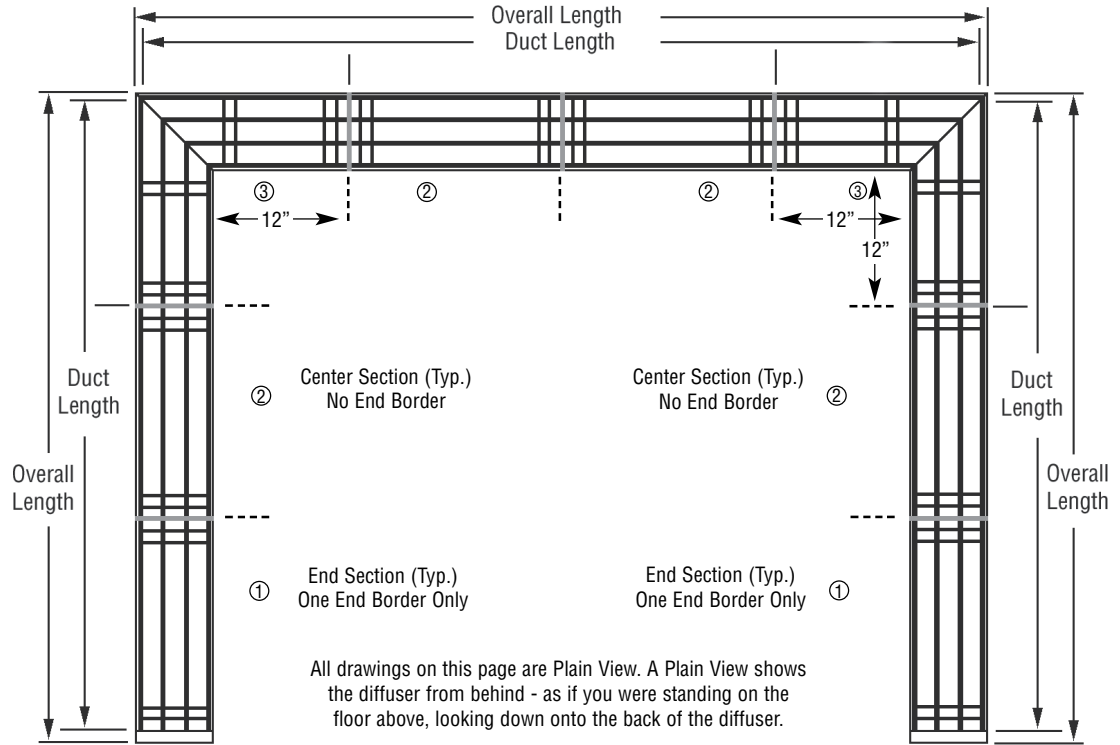


- Concealed Mounting makes installation easy
- Units are inserted into hemmed plenum and secured in place by tightening screws through the face

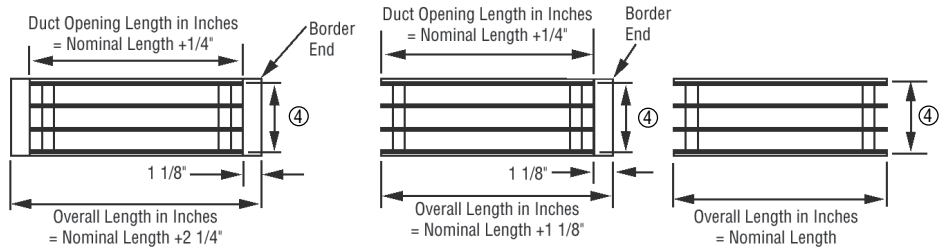
SERIES 6600 INSTALLATION

MODELS 6650-11-1 - Surface Mount

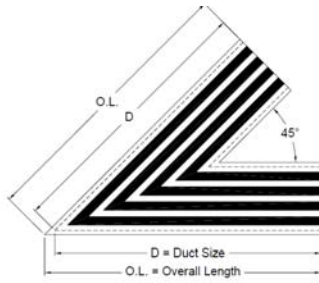
MODELS 6650-12-1 - Concealed Mounting



Single Section, Two End Borders (Not Shown) ① **End Section, One End Border** ② **Center Section, No End Borders**

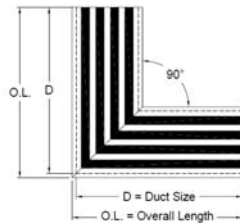


③ **12" Inside Leg Face Dimension**



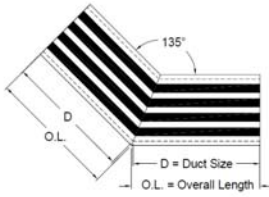
6650MC 45 1/2" Slot
6675MC 45 3/4" Slot
6610MC 45 1" Slot
6615MC 45 1-1/2" Slot

Number of Slots	Duct Size (All Models)	Mitered Corner Models (1/2", 3/4", or 1" Slot)				
		MC6600 11-1 MC6600 12-1 MC6600 10-6 MC6600 12-6	MC6600-20-6 MC6600-22-73 MC6600-20-74	MC6600-30-6	MC6600-40-7 MC6600-42-7 MC6600-40-8	MC6600-40-9
		O.L.	O.L.	O.L.	O.L.	O.L.
1 - 2	24	24 3/4	24 27/32	24 5/16	24 29/32	24 29/32
3 - 5	36	36 3/4	36 27/32	36 5/16	36 29/32	36 29/32
6 - 8	48	48 3/4	48 27/32	48 5/16	48 29/32	48 29/32



6650MC 90 1/2" Slot
6675MC 90 3/4" Slot
6610MC 90 1" Slot
6615MC 90 1-1/2" Slot

Number of Slots	Duct Size (All Models)	Mitered Corner Models (1/2", 3/4", or 1" Slot)				
		MC6600 11-1 MC6600 12-1 MC6600 10-6 MC6600 12-6	MC6600-20-6 MC6600-22-73 MC6600-20-74	MC6600-30-6	MC6600-40-7 MC6600-42-7 MC6600-40-8	MC6600-40-9
		O.L.	O.L.	O.L.	O.L.	O.L.
1 - 2	12	12 23/32	12 11/32	12 1/8	12 3/8	12 3/8
4 - 8	24	24 23/32	24 11/32	24 1/8	24 3/8	24 3/8



6650MC 135 1/2" Slot
6675MC 135 3/4" Slot
6610MC 135 1" Slot
6615MC 135 1-1/2" Slot

Number of Slots	Duct Size (All Models)	Mitered Corner Models (1/2", 3/4", or 1" Slot)				
		MC6600 11-1 MC6600 12-1 MC6600 10-6 MC6600 12-6	MC6600-20-6 MC6600-22-73 MC6600-20-74	MC6600-30-6	MC6600-40-7 MC6600-42-7 MC6600-40-8	MC6600-40-9
		O.L.	O.L.	O.L.	O.L.	O.L.
1 - 2	12	12 13/32	12 1/4	12 5/32	12 9/32	12 9/32
4 - 8	24	24 13/32	24 1/4	24 5/32	24 9/32	24 9/32

SPECIAL ANGLE

6650MC SA 1/2" Slot
6675MC SA 3/4" Slot
6610MC SA 1" Slot
6615MC SA 1-1/2" Slot

SERIES 6600 SPECIFICATIONS

LINEAR SLOT DIFFUSER — ALUMINUM — MODELS 6600/6600R

- Air Diffusers shall be model 6600, supply, or 6600R, return, linear slot diffusers manufactured by METALAIRE. Units shall be constructed of heavy gauge extruded aluminum. Diffusers shall have 1-8 slots with 1/2", 3/4", 1" or 1 1/2" slot widths. The units shall be the size and quantity as outlined in the plans and specifications.
- For supply linear slot diffusers, the pattern controller shall be curved, aerodynamically shaped, capable of adjustment from the face of the diffuser. The pattern controller shall allow adjustment from vertical to horizontal patterns as well as damper the volume of the diffuser. The pattern controller shall allow adjustment from vertical to horizontal patterns as well as damper the volume through the face of the diffuser. Pattern controllers shall be aluminum construction. Steel pattern controllers are not acceptable. For return linear slot diffusers, the unit will be provided without pattern controllers to minimize pressure drop and noise.
- Linear slot diffusers shall be available in one-piece sections up to 96". Supply units shall be furnished with the face white and the pattern controller black.

Performance Specification

The manufacturer shall provide published performance data. Data shall be tested in accordance to ANSI/ASHRAE Standard 70-2006.

Paint Specification

Process shall be anodic electro-deposition using an anodic acrylic paint. Units shall undergo pre-treatment including a pressurized spray stage using an alkaline cleaner and a de-ionized water rinse.

6600 MODEL NUMBER SPECIFICATION

MODEL 6600

Mounting Styles	Border Width	T-bar Lay-in	Surface Mount	Concealed Spline	Drop Face	Narrow Tee	Mud Flange
Screw Mounted	1 1/8		6600-11-1				
Concealed Mtg Hardware	1 1/8	6600-12-6	6600-12-1				
	3/4	6600-22-6					
	1/2	6600-32-6					
	25/32			6600-42-7	6600-42-8	6600-42-9	
	1-13/16						6600-52-1
No Mtg. Hardware	1 1/8	6600-10-6					
	3/4	6600-20-6					
	1/2	6600-30-6					
	25/32			6600-40-7	6600-40-8	6600-40-9	
	1-13/16						6600-50-1

Concealed Spline	Concealed Wall Mounting	Plaster Concealed Wall Mounting
Plaster Mtg Frame	Spline Plaster Mtg Frame	Wall Mtg Frame
3/4 Border 6600-22-73	3/4 Border 6600-22-74	3/4 Border 6600-22-75

Number of Slots Available	Slot Width	Model #	Available Finishes		Available Accessories
1 through 8	1/2	6650	Standard		Boot Plenums
	3/4	6675	20	White / Black PC	
	1	6610	Optional		
	1 1/2	6615	21	Clear Anodized	
			28	Custom Color	

SERIES 6600 PERFORMANCE DATA

MODEL 6650 1/2" SLOT - CFM PER LINEAR FOOT

Slots	Static Pressure	Horizontal Vertical	.005	.021	.047	.083	.130	.188	.255	.334	.422	.521
			.004	.015	.033	.058	.091	.132	.179	.234	.295	.365
1	CFMLF		5	10	15	20	25	30	35	40	45	50
	Horizontal Throw		1-1-6	3-6-12	6-10-14	10-12-17	11-13-19	12-14-20	13-16-22	14-17-24	14-18-25	15-19-26
	Vertical Throw		2	7	9	11	12	13	14	15	16	17
	Horizontal NC		<15	<15	<15	17	22	27	30	34	36	38
	Vertical NC		<15	<15	<15	<15	<15	15	18	22	24	26
2	CFMLF		10	20	30	40	50	60	70	80	90	100
	Horizontal Throw		1-2-8	4-8-17	8-14-20	14-17-24	15-19-26	17-20-29	18-22-31	19-24-33	20-25-35	22-36-37
	Vertical Throw		3	9	13	15	17	18	20	21	23	24
	Horizontal NC		<15	<15	<15	20	25	30	33	37	39	41
	Vertical NC		<15	<15	<15	<15	<15	18	21	25	27	29
3	CFMLF		16	30	45	60	75	90	105	120	135	150
	Horizontal Throw		2-4-13	6-13-20	13-18-25	17-20-29	19-23-32	20-25-35	22-27-38	18-22-31	19-24-33	20-25-35
	Vertical Throw		5	11	16	18	21	23	24	26	28	29
	Horizontal NC		<15	<15	15	22	27	32	35	39	41	43
	Vertical NC		<15	<15	<15	<15	15	20	23	27	29	31
4	CFMLF		20	40	60	80	100	120	140	160	180	200
	Horizontal Throw		3-6-15	10-15-24	15-20-29	19-24-33	22-26-37	24-29-41	26-31-44	27-33-47	29-35-50	31-37-53
	Vertical Throw		5	13	18	21	24	26	28	30	32	34
	Horizontal NC		<15	<15	17	24	29	33	36	40	42	44
	Vertical NC		<15	<15	<15	<15	17	21	24	28	30	32
5	CFMLF		25	50	75	100	125	150	175	200	225	250
	Horizontal Throw		3-7-16	11-16-25	16-23-32	22-26-30	24-30-42	26-32-46	29-35-49	31-37-53	32-40-56	34-42-59
	Vertical Throw		6	19	23	26	29	32	34	37	39	41
	Horizontal NC		<15	<15	19	26	31	35	37	41	43	45
	Vertical NC		<15	<15	<15	<15	19	23	25	29	31	33
6	CFMLF		30	60	90	120	150	180	210	240	270	300
	Horizontal Throw		4-8-20	14-20-29	20-25-35	24-29-41	26-32-46	29-35-50	31-38-54	33-41-58	35-43-61	37-56-65
	Vertical Throw		6	16	23	26	20	32	34	37	39	41
	Horizontal NC		<15	17	20	27	32	36	38	42	44	46
	Vertical NC		<15	<15	<15	15	20	24	26	30	32	35
7	CFMLF		35	70	105	140	175	210	245	280	315	350
	Horizontal Throw		5-9-18	12-18-31	18-27-38	24-31-44	29-35-49	31-38-54	34-41-59	36-44-63	38-47-66	40-49-70
	Vertical Throw		7	17	24	28	31	34	37	40	42	45
	Horizontal NC		<15	18	21	28	33	37	39	43	45	47
	Vertical NC		<15	<15	<15	16	21	25	27	31	33	35
8	CFMLF		40	80	120	160	200	240	280	320	360	400
	Horizontal Throw		6-10-19	13-19-33	19-29-41	26-33-47	31-37-53	33-41-58	36-44-63	39-47-67	41-50-71	45-53-75
	Vertical Throw		7	18	26	30	34	37	40	43	45	48
	Horizontal NC		<15	20	22	29	34	39	40	44	46	48
	Vertical NC		<15	<15	<15	17	22	27	28	32	34	36

SERIES 6600 PERFORMANCE DATA MODEL 6675 3/4" SLOT - CFM PER LINEAR FOOT

Slots	Static Pressure	Horizontal Vertical	0.011	0.024	0.042	0.066	0.095	0.129	0.168	0.213	0.263	0.318
			.007	.014	.025	.040	.057	.077	.101	.128	.158	.191
1	CFMLF		10	15	20	25	30	35	40	45	50	55
	Horizontal Throw		1-2-6	2-4-14	3-6-22	4-10-24	6-14-27	9-19-29	11-22-31	14-26-33	18-24-35	20-26-36
	Vertical Throw		2	6	10	12	13	14	15	16	17	18
	Horizontal NC		<15	<15	<15	15	19	23	25	28	31	33
	Vertical NC		<15	<15	<15	<15	<15	<15	<15	16	19	21
2	CFMLF		20	30	40	50	60	70	80	90	100	110
	Horizontal Throw		1-3-10	3-6-22	5-10-29	7-16-35	10-22-38	14-26-41	19-29-44	22--33-46	25-35-49	27-36-51
	Vertical Throw		4	8	14	17	18	20	21	23	24	25
	Horizontal NC		<15	<15	<15	18	22	26	28	31	34	36
	Vertical NC		<15	<15	<15	<15	<15	<15	16	19	22	24
3	CFMLF		30	45	60	75	90	105	120	135	150	165
	Horizontal Throw		1-3-13	3-7-27	6-13-36	9-20-41	13-27-44	17-32-48	23-36-51	27-39-54	30-41-57	33-43-60
	Vertical Throw		4	10	17	21	23	24	26	28	29	31
	Horizontal NC		<15	<15	<15	20	24	28	30	33	35	37
	Vertical NC		<15	<15	<15	<15	<15	16	18	21	23	25
4	CFMLF		40	60	80	100	120	140	160	180	200	220
	Horizontal Throw		4-10-24	10-18-36	16-24-42	20-30-47	24-36-51	28-39-55	32-42-59	36-44-63	38-47-66	40-49-70
	Vertical Throw		5	11	20	24	26	28	30	32	34	35
	Horizontal NC		<15	15	16	22	25	30	31	35	37	39
	Vertical NC		<15	<15	<15	<15	<15	18	19	23	25	27
5	CFMLF		50	75	100	125	150	175	200	225	250	275
	Horizontal Throw		10-15-30	15-23-41	20-30-47	25-37-52	30-41-57	35-44-62	38-47-66	41-50-70	43-52-74	45-55-78
	Vertical Throw		6	13	22	27	29	31	34	36	38	39
	Horizontal NC		<15	16	17	23	26	32	33	36	38	40
	Vertical NC		<15	<15	<15	<15	<15	20	21	24	20	28
6	CFMLF		60	90	120	150	180	210	240	270	300	330
	Horizontal Throw		10-15-29	15-22-44	20-29-51	24-37-57	29-44-63	34-48-68	39-51-73	44-54-77	47-57-81	49-60-85
	Vertical Throw		6	14	24	29	32	34	37	39	41	43
	Horizontal NC		<15	17	19	24	28	33	34	37	39	41
	Vertical NC		<15	<15	<15	<15	16	21	22	25	27	29
7	CFMLF		70	105	140	175	210	245	280	315	350	385
	Horizontal Throw		11-16-32	16-24-48	21-32-55	26-40-63	32-48-68	37-52-73	42-55-78	48-59-83	51-62-88	53-65-92
	Vertical Throw		7	15	26	31	34	37	40	42	45	47
	Horizontal NC		16	18	20	24	29	34	35	38	40	42
	Vertical NC		<15	<15	<15	<15	17	22	23	26	28	30
8	CFMLF		80	120	160	200	240	280	320	360	400	440
	Horizontal Throw		11-17-34	17-25-51	23-34-59	28-42-66	34-51-73	40-55-78	45-59-84	51-63-89	54-66-94	57-70-99
	Vertical Throw		7	16	28	34	37	40	43	45	48	50
	Horizontal NC		18	19	22	25	30	35	37	39	41	43
	Vertical NC		<15	<15	<15	<15	18	23	25	27	29	31

SERIES 6600 PERFORMANCE DATA MODEL 6610 1" SLOT - CFM PER LINEAR FOOT

Slots	Static Pressure	Horizontal Vertical	.008	.030	.047	.068	.092	.120	.152	.188	.227	.270
			.003	.012	.020	.028	.037	.040	.061	.076	.092	.109
1	CFMLF		10	20	25	30	35	40	45	50	55	60
	Horizontal Throw		1-2-6	3-6-22	4-10-24	6-14-27	9-19-29	11-22-31	14-23-33	18-24-35	20-26-36	22-27-38
	Vertical Throw		2	10	12	13	14	15	16	17	18	18
	Horizontal NC		<15	<15	<15	<15	19	22	24	26	28	30
	Vertical NC		<15	<15	<15	<15	<15	<15	<15	<15	16	18
2	CFMLF		20	40	50	60	70	80	90	100	110	120
	Horizontal Throw		1-3-10	5-10-29	7-16-35	10-22-38	14-26-41	19-29-44	22-33-46	25-35-49	27-36-51	29-38-54
	Vertical Throw		4	14	17	18	20	21	23	24	25	26
	Horizontal NC		<15	<15	<15	<15	21	25	27	29	31	33
	Vertical NC		<15	<15	<15	<15	<15	<15	15	17	19	21
3	CFMLF		30	60	75	90	105	120	135	150	165	180
	Horizontal Throw		3-7-18	12-18-36	15-23-41	18-27-44	21-32-48	24-26-51	27-39-54	30-41-57	33-43-60	36-44-63
	Vertical Throw		4	17	21	23	24	26	28	29	31	32
	Horizontal NC		<15	<15	<15	17	22	27	28	30	32	34
	Vertical NC		<15	<15	<15	<15	<15	15	16	18	20	22
4	CFMLF		40	80	100	120	140	160	180	200	220	240
	Horizontal Throw		4-10-24	16-24-42	20-30-47	24-36-51	28-39-55	32-42-59	36-44-63	38-47-66	40-49-70	42-51-73
	Vertical Throw		5	20	24	26	28	30	32	34	35	37
	Horizontal NC		<15	<15	15	19	24	29	30	32	34	36
	Vertical NC		<15	<15	<15	<15	<15	17	18	20	22	24
5	CFMLF		50	100	125	150	175	200	225	250	275	300
	Horizontal Throw		10-15-30	20-30-47	25-37-52	30-41-57	35-44-62	38-47-66	41-50-70	43-52-74	45-55-78	47-57-81
	Vertical Throw		6	24	29	32	34	37	39	41	43	45
	Horizontal NC		<15	<15	16	21	25	31	32	34	35	37
	Vertical NC		<15	<15	<15	<15	<15	19	20	22	23	25
6	CFMLF		60	120	150	180	210	240	270	300	330	360
	Horizontal Throw		10-15-29	20-29-51	24-37-57	29-44-63	34-48-68	39-51-73	44-54-77	47-57-81	49-60-85	51-63-89
	Vertical Throw		6	24	29	32	34	37	39	41	43	45
	Horizontal NC		<15	15	17	22	27	33	34	35	36	38
	Vertical NC		<15	<15	<15	<15	<15	21	22	23	24	26
7	CFMLF		70	140	175	210	245	280	315	350	385	420
	Horizontal Throw		11-16-32	21-32-55	26-40-62	32-48-68	37-52-73	42-55-78	48-59-83	51-62-88	53-65-92	55-68-96
	Vertical Throw		7	26	31	34	37	40	42	45	47	49
	Horizontal NC		<15	16	18	24	28	34	36	37	37	39
	Vertical NC		<15	<15	<15	<15	16	22	24	25	25	27
8	CFMLF		80	160	200	240	280	320	360	400	440	480
	Horizontal Throw		11-17-34	23-34-59	28-42-66	34-51-73	40-55-78	45-59-84	51-63-89	54-66-94	57-70-98	59-73-103
	Vertical Throw		7	28	34	37	40	43	47	48	50	52
	Horizontal NC		<15	16	20	26	30	35	37	38	39	41
	Vertical NC		<15	<15	<15	<15	18	23	25	26	27	29

SERIES 6600 PERFORMANCE DATA

MODEL 6615 1 1/2" SLOT - CFM PER LINEAR FOOT

Slots	Static Pressure	Horizontal	0.005	0.038	0.052	0.069	0.089	0.112	0.137	0.165	0.196	0.229
		Vertical	0.006	0.042	0.058	0.077	0.098	0.123	0.151	0.182	0.216	0.253
1	CFM/LF		10	25	30	35	40	45	50	55	60	65
	Horizontal Throw		1-2-6	4-10-24	6-14-27	9-19-29	11-22-31	14-23-33	18-24-35	20-26-36	22-27-38	23-28-39
	Vertical Throw		2	12	13	14	15	16	17	18	18	19
	Horizontal NC		<15	<15	<15	19	22	24	26	28	30	32
	Vertical NC		<15	<15	<15	<15	<15	<15	<15	<15	16	18
2	CFM/LF		20	50	60	70	80	90	100	110	120	130
	Horizontal Throw		1-3-10	7-16-35	10-22-38	14-26-41	19-29-44	22-33-46	25-35-49	27-36-51	29-38-54	32-39-56
	Vertical Throw		4	17	18	20	21	23	24	25	26	27
	Horizontal NC		<15	<15	<15	21	25	27	29	31	33	36
	Vertical NC		<15	<15	<15	<15	<15	15	17	19	21	23
3	CFM/LF		30	75	90	105	120	135	150	165	180	195
	Horizontal Throw		3-7-18	15-23-41	18-27-44	21-32-48	24-36-51	27-39-54	30-41-57	33-43-60	36-44-63	38-46-65
	Vertical Throw		4	21	23	24	26	28	29	31	32	33
	Horizontal NC		<15	<15	17	22	27	28	30	32	34	37
	Vertical NC		<15	<15	<15	<15	15	16	18	20	22	24
4	CFM/LF		40	100	120	140	160	180	200	220	240	260
	Horizontal Throw		4-10-24	20-30-47	24-36-51	28-39-55	32-42-59	36-44-63	38-47-66	40-49-70	42-51-73	44-53-76
	Vertical Throw		5	24	26	28	30	32	34	35	37	38
	Horizontal NC		<15	15	19	24	29	30	32	34	36	39
	Vertical NC		<15	<15	<15	<15	17	18	20	22	24	26

SERIES 6600R PERFORMANCE DATA

MODEL 6650R 1/2" SLOT WIDTH

Number of Slots	Negative Ps Inches of Water	.020	.040	.060	.080	.100	.150
1	CFM/ft.	15	20	25	30	35	40
	NC	-	20	27	32	37	41
2	CFM/ft.	35	50	60	70	80	95
	NC	-	22	27	32	37	41
3	CFM/ft.	55	80	95	110	125	150
	NC	-	23	28	33	37	42
4	CFM/ft.	70	100	120	140	155	190
	NC	-	24	30	34	37	44
5	CFM/ft.	90	135	155	180	200	245
	NC	-	25	30	34	37	44
6	CFM/ft.	110	155	195	220	245	300
	NC	-	26	33	37	40	96
7	CFM/ft.	130	185	225	260	290	365
	NC	-	27	33	37	41	47
8	CFM/ft.	140	200	245	280	310	385
	NC	-	28	34	38	42	48

SERIES 6600R PERFORMANCE DATA

MODEL 6675R 3/4" SLOT WIDTH

Number of Slots	Negative Ps Inches of Water	.020	.040	.060	.080	.100	.150
1	CFM/ft.	25	35	45	50	55	70
	NC	-	21	29	32	35	42
2	CFM/ft.	55	80	90	100	110	135
	NC	-	25	29	32	35	42
3	CFM/ft.	90	115	140	160	180	220
	NC	-	26	32	36	40	46
4	CFM/ft.	100	140	175	200	225	275
	NC	-	27	34	38	41	47
5	CFM/ft.	140	185	225	260	290	360
	NC	-	28	34	38	42	48
6	CFM/ft.	160	225	275	320	360	440
	NC	-	29	35	40	43	49
7	CFM/ft.	175	250	305	350	395	480
	NC	-	30	36	40	44	50
8	CFM/ft.	200	285	350	400	450	545
	NC	-	31	37	41	45	51

SERIES 6600R PERFORMANCE DATA MODEL 6610R 1" SLOT WIDTH

Number of Slots	Negative Ps Inches of Water	.020	.040	.060	.080	.100	.150
1	CFM/ft.	35	50	60	70	80	95
	NC	-	25	31	36	40	45
2	CFM/ft.	70	100	125	140	155	190
	NC	-	27	33	37	41	47
3	CFM/ft.	105	150	185	210	235	285
	NC	-	29	35	39	43	49
4	CFM/ft.	140	200	250	280	310	380
	NC	-	31	37	41	45	51
5	CFM/ft.	175	250	300	350	390	475
	NC	-	32	38	42	46	52
6	CFM/ft.	210	300	375	420	465	570
	NC	-	33	40	43	47	53
7	CFM/ft.	245	350	425	490	545	665
	NC	-	34	41	44	47	54
8	CFM/ft.	280	400	475	560	620	760
	NC	-	35	42	45	48	55

PERFORMANCE NOTES FOR SERIES 6600

All data is tested in accordance with ANSI/ASHRAE 70-2006.

DEFINITION OF UNITS

1. On units without UP/UPI plenums, pressure drop reported is across the diffuser element only
The field supply plenum pressure drop should be included when determining system fan requirements
A good approximation of the static pressure requirements can be calculated by adding the velocity pressure through the plenum inlet to the diffuser section pressure drop
2. NC is based on a 4 ft. section of diffuser
The following table should be used to calculate sound levels for lengths other than 4 ft.
3. To correct throws for lengths other than the 4 ft. lengths used in determining catalog performance, throws should be adjusted per the following table

NC Correction for Length			
Length (feet)	2	4	6
NC Correction	-2	0	2
Throw Correction Multiplier for Length			
Length (feet)	2	4	8
Throw Correction	-7	1	1.2

4. All pressures are in inches of water
5. Isothermal throws are given for terminal velocities of 150, 100 and 50fpm, based upon 4' section
6. Vertical throw values are based on a 50fpm terminal velocity
7. For Vertical supply subtract one NC
8. For Returns minus pattern controllers, deduct 12 NC
9. Throw values are based on a 1-Way discharge from the slot. For 2-Way discharge, throw is based upon the number and size of the slots throwing in each direction, with the total supply air flow split equally between all slots in the unit
10. Data was collected in accordance to ASHRAE standard 70-2006 Method of Testing for rating the performance of air outlets and inlets

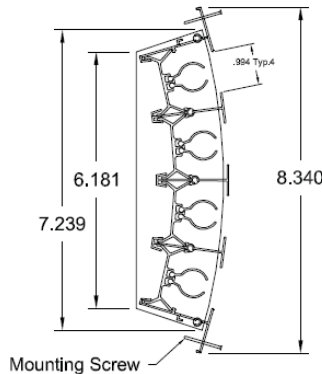
MODEL 6600SP

The 6600SP series linear slot for spiral pipe is designed to integrate into exposed spiral duct systems. The pattern controllers are fully adjustable and can be set from horizontal to vertical discharge.

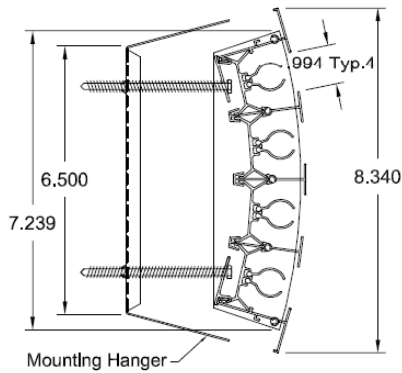


- Available in 1 to 4 slots with 1" slot width
- Pattern controllers on supply units are aluminum and are adjustable from the face of the diffuser and can be set to adjust volume or throw direction from vertical to horizontal
- 6600RSP is designed for return applications. The unit is supplied without pattern controllers to reduce pressure and noise

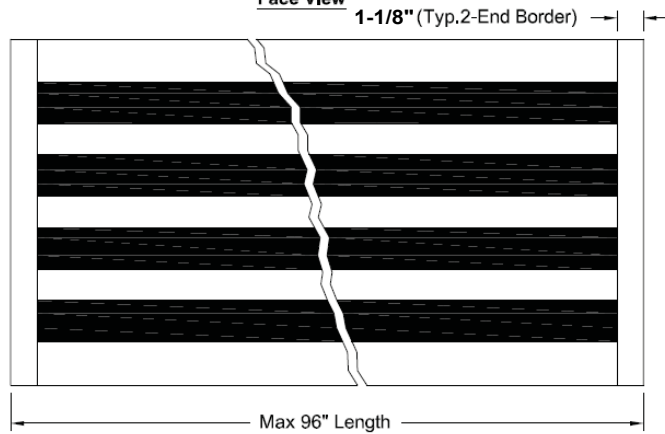
6610-SP 11-1 (Screw Mount Model)
4 Slots (1" Slot Width, 26" Pipe Diameter)



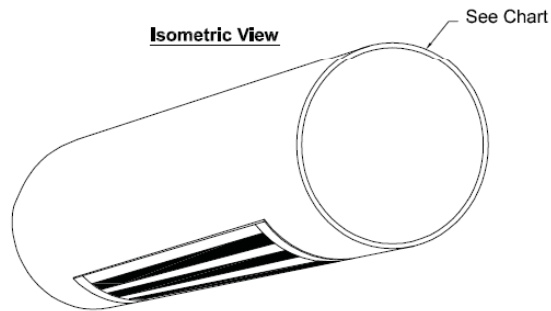
6610-SP 12-1 (Concealed Mount Model)
4 Slots (1" Slot Width, 26" Pipe Diameter)



Face View



Isometric View



Supply Linear Slot Diffuser for Spiral Pipe with Integral volume/directional pattern controllers

Models 6610SP 11-1 1/8" Border, Screw Mounted
6610SP 12-1 1/8" Border, Concealed Mounting Hardware

Return Linear Slot Diffuser for Spiral Pipe

Models 6610RSP 11-1 1/8" Border, Screw Mounted
6610RSP 12-1 1/8" Border, Concealed Mounting Hardware

Pipe Diameter	Duct Cut Out Opening			
	1 Slot	2 Slots	3 Slots	4 Slots
10	2-1/2"	4-1/4"	N/A	N/A
12, 14	2-1/2"	4-1/4"	6"	N/A
16	2-1/2"	4-1/4"	6"	8"
18, 20, 22	N/A	4-1/8"	6"	7-7/8"
24, 26, 28	N/A	4-1/8"	6"	7-3/4"
30	N/A	4-1/8"	6"	7-3/4"
38	N/A	4-1/8"	6"	7-3/4"

Note: Duct Cut Out Opening = Normal Length + 1/2

SERIES 6600SP SPECIFICATIONS

LINEAR SLOT DIFFUSER FOR SPIRAL PIPE — ALUMINUM — MODELS 6600SP/6600RSP

- Air diffusers shall be model 6600SP, supply, or 6600RSP, return, linear slot diffusers manufactured by METALAIRE. Units shall be constructed of heavy gauge extruded aluminum. Diffusers shall have 1-4 slots with 1" slot width. The units shall be the size and quantity as outlined in the plans and specifications.
- For supply linear slot diffusers, the pattern controller shall be curved, aerodynamically shaped, capable of adjustment from the face of the diffuser. The pattern controller shall allow adjustment from vertical to horizontal patterns as well as damper the volume of the diffuser. The pattern controller shall allow adjustment from vertical to horizontal patterns as well as damper the volume through the face of the diffuser. Pattern controllers shall be aluminum construction. Steel pattern controllers are not acceptable. For return linear slot diffusers, the unit will be provided without pattern controllers to minimize pressure drop and noise.
- Linear slot diffusers shall be available in one-piece sections up to 96". Supply units shall be furnished with the face white and the pattern controller black.

Performance Specification

The manufacturer shall provide published performance data. Data shall be tested in accordance to ANSI/ASHRAE Standard 70-2006.

Paint Specification

Process shall be anodic electro-deposition using an anodic acrylic paint. Units shall undergo pre-treatment including a pressurized spray stage using an alkaline cleaner and a de-ionized water rinse.

6600 MODEL NUMBER SPECIFICATION

MODEL 6610SP/6610RSP

Model #	Available Frame Styles	Pipe Diameter	Available Slots	Available Finishes	
6610SP - Supply	11	10	1, 2	Standard	
6610RSP - Return	12	12	1, 2, 3	20	White / Black PC
		14	1, 2, 3	Optional	
		16	1, 2, 3, 4	21	Clear Anodized / Black PC
		18	1, 2, 3, 4	28	Custom Color / Black PC
		20	1, 2, 3, 4		
		24	1, 2, 3, 4		
		30	1, 2, 3, 4		

SERIES 660OSP PERFORMANCE DATA MODEL 660OSP 1" SLOT - CFM PER LINEAR FOOT

Slots	Static Pressure	Horizontal Vertical	.008	.030	.047	.068	.092	.120	.152	.188	.227	.270
			.003	.012	.020	.028	.037	.040	.061	.076	.092	.109
1	CFMLF		10	20	25	30	35	40	45	50	55	60
	Horizontal Throw		1-2-6	3-6-22	4-10-24	6-14-27	9-19-29	11-22-31	14-23-33	18-24-36	20-26-36	22-27-38
	Vertical Throw		2	10	12	13	14	15	16	17	18	18
	Horizontal NC		<15	<15	<15	<15	19	22	24	26	28	30
	Vertical NC		<15	<15	<15	<15	<15	<15	<15	<15	16	18
2	CFMLF		20	40	50	60	70	80	90	100	110	120
	Horizontal Throw		1-3-10	5-10-29	7-16-35	10-22-38	14-26-41	19-29-44	22-33-46	25-35-49	27-36-51	29-38-54
	Vertical Throw		4	14	17	18	20	21	23	24	25	26
	Horizontal NC		<15	<15	<15	<15	21	25	27	29	31	33
	Vertical NC		<15	<15	<15	<15	<15	<15	15	17	19	21
3	CFMLF		30	60	75	90	105	120	135	150	165	180
	Horizontal Throw		3-7-18	12-18-36	15-23-41	18-27-44	21-32-48	24-26-51	27-39-54	30-41-57	33-43-60	36-44-63
	Vertical Throw		4	17	21	23	24	26	28	29	31	32
	Horizontal NC		<15	<15	<15	17	22	27	28	30	32	34
	Vertical NC		<15	<15	<15	<15	<15	15	16	18	20	22
4	CFMLF		40	80	100	120	140	160	180	200	220	240
	Horizontal Throw		4-10-24	16-24-42	20-30-47	24-36-51	28-39-55	32-42-59	36-44-63	38-47-66	40-49-70	42-51-73
	Vertical Throw		5	20	24	26	28	30	32	34	35	37
	Horizontal NC		<15	<15	15	19	24	29	30	32	34	36
	Vertical NC		<15	<15	<15	<15	<15	17	18	20	22	24

SERIES 660OR PERFORMANCE DATA MODEL 661ORSP 1" SLOT WIDTH

Number of Slots	Inches of Water	Negative Ps					
		.020	.040	.060	.080	.100	.150
1	CFM/ft.	35	50	60	70	80	95
	NC	-	25	31	36	40	45
2	CFM/ft.	70	100	125	140	155	190
	NC	-	27	33	37	41	47
3	CFM/ft.	105	150	185	210	235	285
	NC	-	29	35	39	43	49
4	CFM/ft.	140	200	250	280	310	380
	NC	-	31	37	41	45	51

PERFORMANCE NOTES FOR SERIES 6600

All data is tested in accordance with ANSI/ASHRAE 70-2006.

DEFINITION OF UNITS

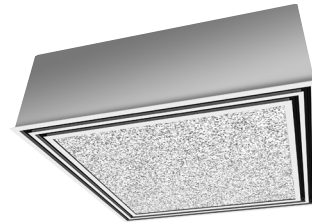
1. On units without BP/BPI plenums, pressure drop reported is across the diffuser element only
The field supply plenum pressure drop should be included when determining system fan requirements
A good approximation of the static pressure requirements can be calculated by adding the velocity pressure through the plenum inlet to the diffuser section pressure drop
2. NC is based on a 4 ft. section of diffuser
The following table should be used to calculate sound levels for lengths other than 4 ft.
3. To correct throws for lengths other than the 4 ft. lengths used in determining catalog performance, throws should be adjusted per the following table

NC Correction for Length			
Length (feet)	2	4	6
NC Correction	-2	0	2
Throw Correction Multiplier for Length			
Length (feet)	2	4	8
Throw Correction	-7	1	1.2

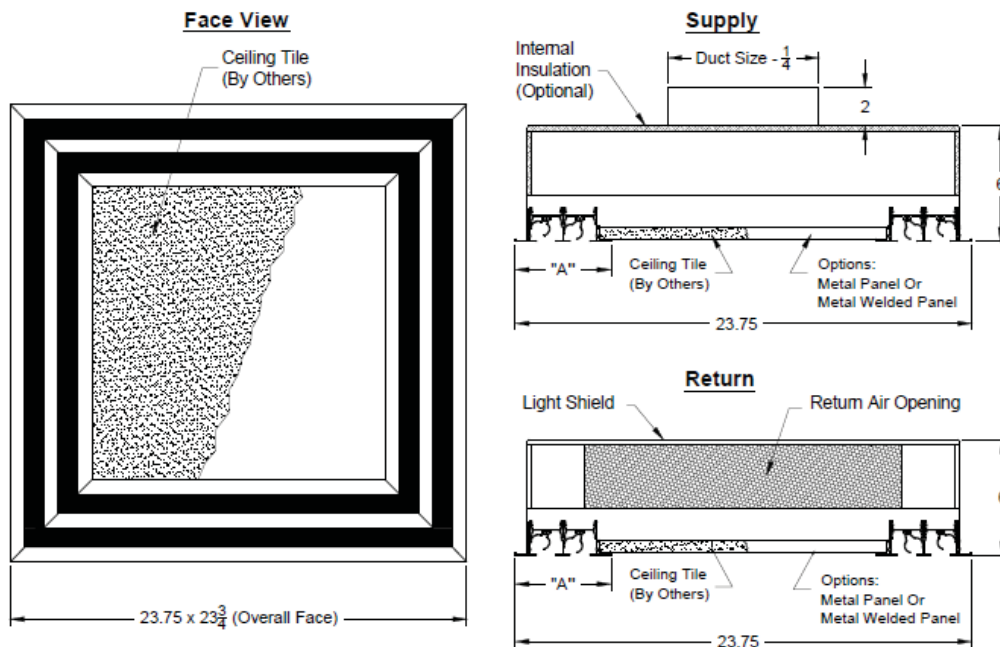
4. All pressures are in inches of water
5. Isothermal throws are given for terminal velocities of 150, 100 and 50fpm, based upon 4' section
6. Vertical throw values are based on a 50fpm terminal velocity
7. For Vertical supply subtract one NC
8. For Returns minus pattern controllers, deduct 12 NC
9. Throw values are based on a 1-Way discharge from the slot. For 2-Way discharge, throw is based upon the number and size of the slots throwing in each direction, with the total supply air flow split equally between all slots in the unit
10. Data was collected in accordance to ASHRAE standard 70-2006 Method of Testing for rating the performance of air outlets and inlets

MODEL 6600SQ

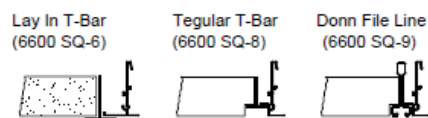
The 6600SQ series' unique design combines a ceiling tile (by others) placed into the face of the diffuser. The unit provides a full 180° air pattern adjustment and tight horizontal air patterns.



- Designed to accept all popular ceiling tiles
- Available in 1-4 slots with 1/2", 3/4" or 1" slot widths
- 1 1/2" slot width available in 1 and 2 slots only
- Available with insulation (Model 6600SQI)
- Available without pattern controllers as a return (Model 6600SQR)
- Optional metal face welded or shipped loose



Ceiling Grid Systems



Model	Slot	1 Slot	2 Slot	3 Slot	4 Slot
	Width	A	A	A	A
6650SQ-6	1/2	2 3/4	4	5 1/4	6 1/2
6675SQ-6	3/4	3	4 1/2	6	7 1/2
6610SQ-6	1	3 1/4	5	6 3/4	8 1/2
6615SQ-6	1 1/2	3 3/4	6	N/A	N/A

SERIES 6600SQ SPECIFICATIONS

LINEAR SLOT DIFFUSER — MODULAR — ALUMINUM — MODELS 6600SQ/6600SQI/6600SQR

- Air diffusers shall be supply models 6600SQ (non-insulated) and 6600SQI (insulated) or return model 6600SQR manufactured by METALAIRE. Units shall be constructed of heavy gauge extruded aluminum. Diffusers shall have 1-4 slots with 1/2", 3/4" or 1" slot widths and 1 1/2" slot widths available with 1 or 2 slots. The units shall be the size and quantity as outlined in the plans and specifications.
- The supply units shall be square face ceiling diffusers and shall have a factory installed backpan. The backpan must be of sufficient height to allow the center tile (by the ceiling system manufacturer) to be installed from the diffuser face without disassembling the face from the backpan. Devices without back pan attached to the diffuser face will not be allowed. The pattern controllers shall be curved aerodynamically shaped, capable of adjustment from the face of the diffuser. The pattern controllers shall allow adjustment from vertical to horizontal patterns as well as damper the volume through the face of the diffuser. Pattern controllers shall be aluminum construction. Steel pattern controllers are not acceptable.
- The return units shall be square face ceiling diffusers and shall have a factory attached light shield. The light shield must be of sufficient height to allow center tile (by the ceiling system manufacturer) to be installed from the diffuser face without disassembling the face from the light shield. Devices without light shield attached to the diffuser face will not be allowed. The face shall be designed to match the appearance of the supply unit.

Performance Specification

The manufacturer shall provide published performance data. Data shall be tested in accordance to ANSI/ASHRAE Standard 70-2006.

Paint Specification

Process shall be anodic electro-deposition using an anodic acrylic paint. Units shall undergo pre-treatment including a pressurized spray stage using an alkaline cleaner and a de-ionized water rinse.

SERIES 6600SQ MODEL NUMBER SPECIFICATION

SUPPLY - MODULAR SLOT ARCHITECTURAL DIFFUSER

MODEL 6600SQ

Model		Slot Width	# of Slots	Inlet Size	Module
6600SQ-6	T-bar Lay-in	1/2	1	6	24 x 24
6600SQI-6	T-bar Lay-in Insulated	3/4	2	8	
6600SQ-8	Tegular T-bar	1	3	10	
6600SQI-8	Tegular T-bar Insulated		4	12	
6600SQ-9	Donn Finline	1 1/2	1	14	
6600SQI-9	Donn Finline Insulated		2		

Available Finishes		Available Accessories	
Standard		D3	Aluminum Radial Opposed Blade Damper
20	White Face w/ Black PC	G3	Equalizing Grid
Optional		BDS	Butterfly Damper
21	Clear Anodized Face w/ Black PC	RSD	Radial Shutter Damper
28	Custom Color	TBPF	T-Bar Plaster Frame

RETURN MODULAR SLOT ARCHITECTURAL DIFFUSER

MODEL 6600SQR

Model	Slot Width	# Slots	Module	Available Finishes	
6600SQR-6	1/2	1	24 x 24	Standard	
6600SQR-8	3/4	2		20	White Face
6600SQR-9	1	3		Optional	
		4		21	Clear Anodized Face
		1		28	Custom Color
	1 1/2	2			

SERIES 6600SQ PERFORMANCE DATA

MODEL 6600SQ 1" SLOT WIDTH

1 Slot 8" Inlet	CFM	100	150	200	250	300	350
	Throw	3-5-10	5-7-13	6-9-15	8-12-18	9-14-20	11-16-22
	Pt	0.023	0.046	0.080	0.122	0.172	0.228
	Ps	0.017	0.034	0.059	0.090	0.125	0.165
	NC	-	-	27	30	38	44
2 Slot 10" Inlet	CFM	150	200	250	330	350	400
	Throw	2-4-10	3-6-12	5-8-15	7-10-17	8-13-21	8-15-24
	Pt	0.030	0.050	0.074	0.103	0.137	0.169
	Ps	0.025	0.041	0.061	0.084	0.110	0.135
	NC	-	-	22	28	35	39
3 Slot 12" Inlet	CFM	200	250	300	350	400	450
	Throw	4-5-10	5-7-13	6-8-16	7-9-19	8-11-21	9-13-23
	Pt	0.028	0.042	0.055	0.074	0.090	0.117
	Ps	0.023	0.035	0.046	0.061	0.074	0.094
	NC	-	-	20	25	29	34
4 Slot 8" Inlet	CFM	250	300	350	400	450	500
	Throw	4-5-10	5-7-13	6-8-15	7-10-19	7-11-20	8-12-22
	Pt	0.034	0.048	0.059	0.071	0.091	0.107
	Ps	0.027	0.038	0.045	0.55	0.68	0.081
	NC	-	20	23	27	30	33

SERIES 6600SQ PERFORMANCE DATA

MODEL 6600SQ 3/4" SLOT WIDTH

1 Slot 6" Inlet	CFM	50	100	150	200	250	300
	Throw	2-3-5	3-5-9	4-8-13	6-10-16	8-12-18	10-15-20
	Pt	0.013	0.039	0.083	0.145	0.219	0.319
	Ps	0.011	0.033	0.071	0.125	0.187	0.272
	NC	-	-	20	28	32	39
2 Slot 10" Inlet	CFM	100	150	200	250	300	350
	Throw	2-4-7	3-6-10	5-8-13	6-10-16	7-12-18	8-14-20
	Pt	0.015	0.033	0.068	0.087	0.124	0.172
	Ps	0.013	0.026	0.049	0.074	0.105	0.145
	NC	-	-	20	24	26	31
3 Slot 10" Inlet	CFM	150	200	250	300	350	400
	Throw	3-4-9	4-5-12	5-7-15	6-9-17	7-11-19	8-13-22
	Pt	0.023	0.040	0.051	0.078	0.117	0.149
	Ps	0.018	0.031	0.048	0.059	0.090	0.115
	NC	-	-	22	25	28	32
4 Slot 12" Inlet	CFM	200	250	300	350	400	450
	Throw	3-4-8	4-5-11	6-9-15	7-10-18	8-11-20	8-13-22
	Pt	0.025	0.038	0.064	0.075	0.092	0.117
	Ps	0.021	0.031	0.044	0.062	0.075	0.094
	NC	-	-	-	22	25	28

SERIES 6600SQ PERFORMANCE DATA

MODEL 6600SQ 1/2" SLOT WIDTH

1 Slot 6" Inlet	CFM	50	100	150	175	200	225
	Throw	4-6-8	6-10-15	8-13-19	12-17-22	15-20-29	18-24-35
	Pt	0.028	0.102	0.227	0.302	0.37	0.42
	Ps	0.023	0.086	0.19	0.251	0.305	0.42
	NC	-	27	35	41	48	52
2 Slot 8" Inlet	CFM	75	125	150	200	250	275
	Throw	3-5-7	4-7-10	5-8-12	7-10-15	9-3-19	11-18-22
	Pt	0.034	0.059	0.122	0.021	0.312	0.39
	Ps	0.03	0.051	0.11	0.18	0.28	0.35
	NC	-	-	24	29	38	45
3 Slot 8" Inlet	CFM	100	150	200	225	250	300
	Throw	2-4-5	3-6-7	5-8-11	6-9-13	7-10-15	9-12-18
	Pt	0.042	0.088	0.146	0.187	0.222	0.312
	Ps	0.036	0.076	0.125	0.16	0.19	0.265
	NC	-	-	21	27	35	43
4 Slot 10" Inlet	CFM	150	200	250	275	300	350
	Throw	3-5-6	5-7-8	7-10-12	8-11-14	9-13-17	11-15-21
	Pt	0.061	0.103	0.153	0.191	0.209	0.282
	Ps	0.056	0.094	0.14	0.175	0.19	0.255
	NC	-	22	28	32	37	40

PERFORMANCE NOTES FOR SERIES 6600SQ

All data is tested in accordance with ANSI/ASHRAE 70-2006.

DEFINITION OF UNITS

CFM Cubic Feet per Minute (air)

Horizontal throw Throw distance in feet at terminal velocities of 150, 100 and 50fpm.

NC Noise criterion, sound pressure level. NC ratings are based on sound power level (Lw) re: 10^{-12} watts minus a 10 dB room attenuation in all octave bands

Ps Static pressure = $P_t - P_v$ (inches of water column)

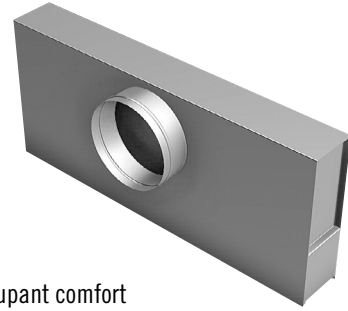
Pt Total pressure (inches of water column)

Pv Velocity pressure (inches of water column)

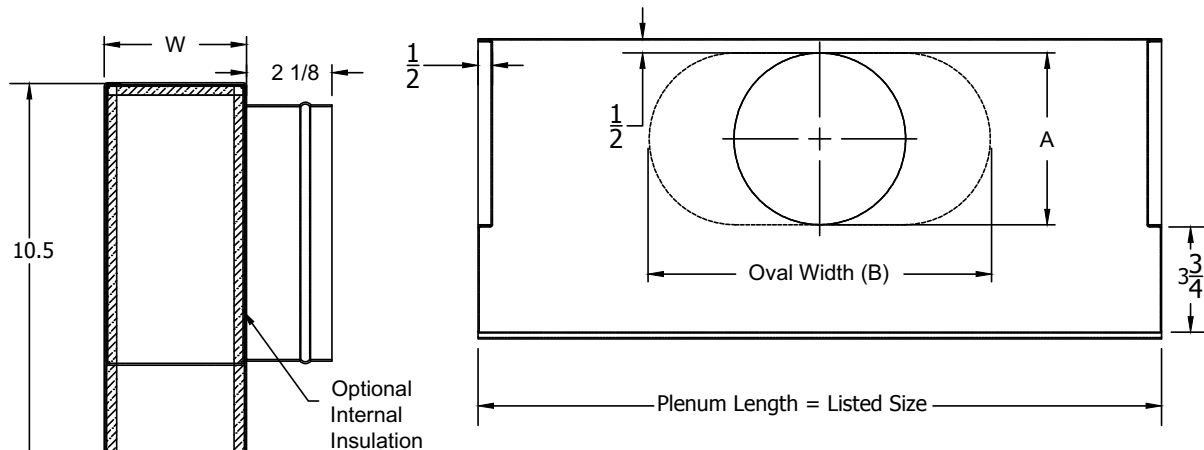
fpm Velocity of air stream in Feet per Minute

MODEL UP-6600

Model UP-6600 Boot Plenum is an easily installed, economical accessory to the 6600 Linear Slot Diffuser. UP-6600 Boot Plenums are designed to connect the series 6600 to the ducted supply or return. Factory supplied units reduce both job site fabrication and installation labor.



- Units provide an even distribution of air into the diffuser to maximize inductions and occupant comfort
- Available widths to fit 6600 with 1 to 8 slots
- Standard lengths are 24", 36", 48", 60" and 72"
- UPI-6600 is fully insulated including the end caps. Optional Thermopure insulation is available. External insulation also available
- Available with optional LQ, locking quadrant damper, ID, inlet damper, FODR, face operated damper, or ROD, remote operated damper
- UP-6600 is shipped separately from the 6600 linear slot diffuser and requires field attachment



Inlet Chart			
Size	Type	A	B
6	Round	5 7/8	
8	Oval	5 7/8	8 15/16
10	Oval	5 7/8	12 1/16
12	Oval	5 7/8	15 1/4
14	Oval	5 7/8	18 7/16

Model 6650	20-6 22-6	30-3 32-6	40-7/42-7 40-8/42-8 40-9/42-9	50-152-1 12-1/11-1 10-6/12-6
Number of Slots	DIM W (I.D. Width)	DIM W (I.D. Width)	DIM W (I.D. Width)	DIM W (I.D. Width)
1	2 3/16	2 1/2	2 1/16	2 1/4
2	3 5/16	3 5/8	3 5/16	3 1/2
3	4 11/16	4 1/2	4 9/16	4 3/4
4	5 7/8	6 3/16	5 13/16	6
5	7 1/16	8 3/8	7 1/16	7 1/4
6	8 5/8	8 7/8	8 5/16	8 7/16
7	9 15/16	10 1/4	9 5/8	9 3/4
8	13 13/16	11 1/8	11 1/8	11

Model 6675	20-6 22-6	30-3 32-6	40-7/42-7 40-8/42-8 40-9/42-9	50-152-1 12-1/11-1 10-6/12-6
Number of Slots	DIM W (I.D. Width)	DIM W (I.D. Width)	DIM W (I.D. Width)	DIM W (I.D. Width)
1	2 5/16	2 3/4	2 5/16	2 1/2
2	3 13/16	4 3/16	3 13/16	4
3	5 1/2	5 3/4	5 1/16	5 1/2
4	7 1/8	7 1/4	6 13/16	7
5	8 5/16	8 5/8	8 3/16	8 1/2
6	9 13/16	10 1/8	9 13/16	13 13/16
7	11 5/16	11 5/8	11 5/16	11 7/16
8	12 3/4	13 1/16	12 7/8	13

Model 6610	20-6 22-6	30-3 32-6	40-7/42-7 40-8/42-8 40-9/42-9	50-152-1 12-1/11-1 10-6/12-6
Number of Slots	DIM W (I.D. Width)	DIM W (I.D. Width)	DIM W (I.D. Width)	DIM W (I.D. Width)
1	2 5/8	2 15/16	2 9/16	2 3/4
2	4 7/16	4 3/4	3 3/8	4 1/2
3	6 1/8	6 1/2	6 1/16	6 1/8
4	7 7/8	8 3/16	7 13/16	8
5	9 3/4	10 1/16	9 5/8	9 11/16
6	1 3/8	11 3/4	11 3/8	11 1/2
7	14 1/4	13 9/16	13 1/8	13 13/16
8	15	15 1/4	14 7/8	14 15/16

Frame Styles							
Length = L = Listed Size ± Linear End Types							
Description	UP/UIP	Border Size	2 EB	1 EB	No Ends	2 EC	1 EC
T-Bar Lay-in	10 - 6	1 - 1/8	-2 1/2	-1 3/8	±0	- 3/16	-7/8
Screw Mount	11 - 1	Not Recommended For This Frame Style					
Concealed Mount	12 - 1	1 - 1/8	±0	±0	±0	NR**	NR**
T-Bar Lay-in	20 - 6	3/4	-1 3/4	-1	±0	NR**	NR**
T-Bar Lay-in	30 - 6	1/2	-1 1/4	-3/4	±0	NR**	NR**
Concealed Spline	40 - 7	22/32	-7/8	-9/16	±0	NR**	NR**
Drop Face	40 - 8	22/32	-7/8	-9/16	±0	NR**	NR**
Bolt Slot	40 - 9	22/32	-7/8	-9/16	±0	NR**	NR**
Sub Plaster Frame	22 - 73	3/4	-1 3/8	-1	±0	NR**	NR**
Sub Plaster/Wall Frames	22 - 74	3/4	-1 3/8	-1	±0	NR**	NR**
Sub Wall Frames	22 - 75	3/4	-1 3/8	-1	±0	NR**	NR**

Note: ** Not Recommended End Type For This Style

UP6600 MODEL NUMBER SPECIFICATION

MODEL UP6600

Mounting Styles	Border Width	T-bar Lay-in	Surface Mount	Concealed Spline	Drop Face	Narrow Tee	Mud Flange
Screw Mounted	1 1/8		UP6600-11-1				
Concealed Mtg Hardware	1 1/8	UP6600-12-6	UP6600-12-1				
	3/4	UP6600-22-6					
	1/2	UP6600-32-6					
	25/32			UP6600-42-7	UP6600-42-8	UP6600-42-9	
	1-13/16						UP6600-52-1
No Mtg. Hardware	1 1/8	UP6600-10-6					
	3/4	UP6600-20-6					
	1/2	UP6600-30-6					
	25/32			UP6600-40-7	UP6600-40-8	UP6600-40-9	
	1-13/16						UP6600-50-1

Concealed Spline	Concealed Wall Mtg	Plaster Concealed Wall Mounting
Plaster Mtg Frame	Spline Plaster Mtg Frame	Wall Mtg Frame
3/4" Border UP6600-22-73	3/4" Border UP6600-22-74	3/4" Border UP6600-22-75

UP6600 MODEL NUMBER SPECIFICATION

MODEL UPI6600

Mounting Styles	Border Width	T-bar Lay-in	Surface Mount	Concealed Spline	Drop Face	Narrow Tee	Mud Flange
Screw Mounted	1 1/8"		UPI6600-11-1				
Concealed Mtg Hardware	1 1/8"	UPI6600-12-6	UPI6600-12-1				
	3/4"	UPI6600-22-6					
	1/2"	UPI6600-32-6					
	25/32"			UPI6600-42-7	UPI6600-42-8	UPI6600-42-9	
	1-13/16"						UPI6600-52-1
No Mtg Hardware	1 1/8"	UPI6600-10-6					
	3/4"	UPI6600-20-6					
	1/2"	UPI6600-30-6					
	25/32"			UPI6600-40-7	UPI6600-40-8	UPI6600-40-9	
	1-13/16"						UPI6600-50-1

Concealed Spline	Concealed Wall Mtg	Plaster Concealed Wall Mounting
Plaster Mtg Frame	Spline Plaster Mtg Frame	Wall Mtg Frame
3/4" Border UPI6600-22-73	3/4" Border UPI6600-22-74	3/4" Border UPI6600-22-75

SERIES 6600 UP/UI PERFORMANCE DATA MODEL UP/UI-6650 —1 SLOT

6" Inlet	2' Length	CFM	15	30	45	60	75	90	105
		Static Pressure	.010	.038	.086	.153	.240	.345	.470
		Horizontal Throw	1-3-9	6-9-18	9-13-23	12-18-27	15-21-30	18-23-33	20-25-35
		NC	<15	20	28	35	41	45	47
	4' Length	CFM	30	60	90	120	150	180	210
		Static Pressure	.016	.063	.142	.252	.394	.567	.772
		Horizontal Throw	2-4-7	5-7-15	7-11-21	10-15-24	12-18-27	15-21-30	17-23-32
		NC	<15	24	34	41	45	46	49
8" Inlet	2' Length	CFM	20	35	50	65	80	95	110
		Static Pressure	.018	.054	.110	.185	.281	.396	.531
		Horizontal Throw	3-6-12	7-10-20	10-15-24	13-19-28	16-22-31	19-24-34	21-26-36
		NC	<15	18	27	33	38	42	44
	4' Length	CFM	40	70	100	130	160	190	220
		Static Pressure	.018	.056	.115	.194	.294	.415	.556
		Horizontal Throw	3-5-10	6-9-17	8-12-22	11-16-25	13-20-28	16-22-31	18-23-33
		NC	<15	24	33	39	43	45	45
10" Inlet	2' Length	CFM	30	45	60	75	90	105	120
		Static Pressure	.056	.126	.225	.351	.505	.688	.899
		Horizontal Throw	6-9-18	9-13-23	12-18-27	15-21-30	18-23-33	20-25-35	22-27-38
		NC	<15	22	29	34	39	42	43
	4' Length	CFM	60	90	120	150	180	210	240
		Static Pressure	.036	.082	.146	.227	.328	.446	.582
		Horizontal Throw	5-7-15	7-11-21	10-15-22	12-18-27	15-21-30	17-23-32	20-24-35
		NC	19	27	34	40	45	48	51
12" Inlet	2' Length	CFM	45	60	75	90	105	120	135
		Static Pressure	.047	.083	.129	.186	.254	.331	.419
		Horizontal Throw	9-13-23	12-18-27	15-21-30	18-23-33	20-25-35	22-27-38	23-28-40
		NC	24	28	32	35	39	42	45
	4' Length	CFM	90	120	150	180	210	240	270
		Static Pressure	.098	.175	.273	.393	.535	.699	.884
		Horizontal Throw	7-11-21	10-15-24	12-18-27	15-21-30	17-23-32	20-24-35	21-26-37
		NC	23	30	36	41	45	48	51

SERIES 6600 UP/UI PERFORMANCE DATA MODEL UP/UI-6650 — 2 SLOT

6" Inlet	2' Length	CFM	20	40	60	80	100	120	140
		Static Pressure	.007	.028	.064	.114	.178	.256	.349
		Horizontal Throw	1-2-8	4-8-17	8-12-25	11-17-31	14-21-35	17-25-38	12-29-41
		NC	<15	15	25	32	38	43	46
	4' Length	CFM	30	60	90	120	150	180	210
		Static Pressure	.010	.041	.093	.166	.259	.373	.507
		Horizontal Throw	1-2-5	3-5-10	5-8-16	7-10-21	9-13-26	10-16-30	12-18-32
		NC	<15	<15	24	32	37	41	43
8" Inlet	2' Length	CFM	25	45	65	85	105	125	145
		Static Pressure	.007	.023	.049	.084	.128	.181	.244
		Horizontal Throw	1-3-10	5-9-19	9-14-27	12-18-32	15-22-35	17-26-39	20-29-42
		NC	<15	<15	23	29	35	39	43
	4' Length	CFM	50	90	130	170	210	250	290
		Static Pressure	.014	.045	.094	.161	.245	.348	.468
		Horizontal Throw	3-4-9	5-8-16	8-11-23	10-15-29	12-18-32	14-22-35	17-25-38
		NC	<15	20	29	36	41	45	46
10" Inlet	2' Length	CFM	35	55	75	95	115	135	156
		Static Pressure	.013	.032	.059	.095	.139	.191	.252
		Horizontal Throw	3-6-15	7-11-23	10-16-30	13-20-34	16-24-37	19-28-40	21-30-43
		NC	<15	17	23	29	34	38	41
	4' Length	CFM	70	110	150	190	230	270	310
		Static Pressure	.019	.047	.088	.142	.207	.286	.377
		Horizontal Throw	4-6-12	6-10-19	9-13-26	11-16-31	13-20-34	16-23-27	18-27-39
		NC	<15	21	29	35	40	43	45
12" Inlet	2' Length	CFM	50	70	90	110	130	150	170
		Static Pressure	.024	.047	.078	.117	.163	.217	.279
		Horizontal Throw	6-10-21	10-15-29	12-19-33	15-23-36	18-27-39	21-30-42	24-32-45
		NC	<15		17	21	24	28	31
	4' Length	CFM	100	140	180	220	260	300	340
		Static Pressure	.027	.053	.087	.130	.181	.241	.310
		Horizontal Throw	5-9-17	8-12-24	10-16-30	13-19-33	15-23-36	17-26-39	20-29-41
		NC	16	23	29	34	38	41	43

SERIES 6600 UP/UI PERFORMANCE DATA MODEL UP/UI-6650 — 3 SLOT

6" Inlet	2' Length	CFM	25	50	75	100	125	150	175
		Static Pressure	.008	.033	.073	.130	.203	.293	.398
		Horizontal Throw	1-2-7	3-7-17	7-13-25	11-17-34	14-21-39	17-25-42	20-30-46
		NC	<15	15	24	31	36	40	43
	4' Length	CFM	40	75	115	150	190	225	265
		Static Pressure	.015	.054	.127	.216	.347	.486	.674
		Horizontal Throw	1-2-6	4-5-11	5-8-16	7-11-21	8-13-27	11-16-32	12-19-36
		NC	<15	<15	23	29	36	40	44
8" Inlet	2' Length	CFM	35	55	80	105	130	155	180
		Static Pressure	.009	.022	.046	.079	.122	.173	.233
		Horizontal Throw	2-3-12	4-9-19	8-14-27	12-18-35	15-22-39	18-26-43	20-31-46
		NC	<15	<15	21	28	33	37	41
	4' Length	CFM	70	110	160	210	260	310	360
		Static Pressure	.021	.052	.109	.188	.289	.410	.553
		Horizontal Throw	3-5-10	5-8-16	8-11-23	10-15-30	12-18-36	15-22-39	17-25-42
		NC	<15	18	27	34	39	44	47
10" Inlet	2' Length	CFM	45	65	90	115	140	165	190
		Static Pressure	.011	.023	.044	.072	.106	.147	.195
		Horizontal Throw	3-6-15	5-11-22	10-15-31	13-20-37	16-24-41	19-28-44	21-32-48
		NC	<15	<15	21	27	32	36	39
	4' Length	CFM	90	130	180	230	280	330	380
		Static Pressure	.023	.048	.091	.149	.221	.307	.407
		Horizontal Throw	4-6-13	6-9-18	8-13-25	11-16-33	13-20-36	16-23-39	18-27-42
		NC	<15	20	27	33	38	42	45
12" Inlet	2' Length	CFM	65	85	110	135	160	185	210
		Static Pressure	.022	.038	.063	.095	.133	.178	.229
		Horizontal Throw	5-11-22	9-14-29	12-19-36	15-23-40	18-27-44	21-31-47	24-35-50
		NC	<15	16	20	23	26	29	32
	4' Length	CFM	130	170	220	270	320	370	420
		Static Pressure	.027	.046	.077	.117	.164	.219	.282
		Horizontal Throw	6-9-18	8-12-24	10-16-31	13-19-37	15-23-40	17-26-43	20-30-46
		NC	17	22	27	33	37	41	44

SERIES 6600 UP/UI PERFORMANCE DATA MODEL UP/UI-6650 — 4 SLOT

6" Inlet	2' Length	CFM	40	65	90	115	140	165	190
		Static Pressure	.018	.047	.090	.147	.218	.302	.401
		Horizontal Throw	1-3-12	3-8-19	7-13-26	11-17-34	14-21-41	16-24-44	19-28-48
		NC	<15	16	24	30	36	39	42
	4' Length	CFM	60	100	<15	175	210	250	285
		Static Pressure	.031	.087	.159	.267	.385	.546	.709
		Horizontal Throw	1-3-7	4-6-12	6-8-17	7-11-21	9-13-26	10-15-31	12-17-35
		NC	<15	16	24	31	35	37	37
8" Inlet	2' Length	CFM	50	80	110	140	170	200	230
		Static Pressure	.014	.036	.069	.112	.164	.228	.301
		Horizontal Throw	2-5-15	5-12-24	10-16-32	14-21-41	17-25-45	20-29-49	23-34-53
		NC	<15	17	24	30	35	39	42
	4' Length	CFM	75	120	165	210	255	300	345
		Static Pressure	.022	.056	.107	.173	.255	.353	.467
		Horizontal Throw	2-5-9	5-7-15	7-10-20	9-13-26	10-16-31	12-18-37	14-21-42
		NC	<15	16	23	29	34	38	40
10" Inlet	2' Length	CFM	60	90	120	150	180	210	240
		Static Pressure	.014	.032	.056	.088	.127	.173	.226
		Horizontal Throw	3-7-18	7-13-26	12-18-35	15-22-42	18-26-46	21-31-50	24-35-54
		NC	<15	17	23	29	33	37	41
	4' Length	CFM	95	135	180	225	270	315	360
		Static Pressure	.021	.043	.077	.120	.174	.236	.308
		Horizontal Throw	4-6-12	6-8-17	7-11-22	9-14-28	11-17-33	13-19-38	15-22-41
		NC	<15	16	23	28	33	36	39
12" Inlet	2' Length	CFM	80	120	160	200	240	280	320
		Static Pressure	.018	.041	.073	.114	.164	.223	.292
		Horizontal Throw	5-12-24	12-18-35	16-24-44	20-29-49	24-35-54	27-41-58	31-44-62
		NC	<15	<15	20	24	28	32	35
	4' Length	CFM	120	180	240	300	360	420	480
		Static Pressure	.018	.040	.071	.111	.159	.217	.283
		Horizontal Throw	5-7-15	7-11-22	10-15-29	12-18-37	15-22-42	17-26-46	20-29-49
		NC	<15	19	25	31	35	39	42

SERIES 6600 UP/UI PERFORMANCE DATA MODEL UP/UI-6675 — 1 SLOT

6" Inlet	2' Length	CFM	20	35	50	65	80	95	110
		Static Pressure	.014	.043	.088	.148	.224	.316	.424
		Horizontal Throw	1-3-10	4-8-17	8-12-24	10-16-28	13-19-31	15-23-34	10-26-36
		NC	<15	18	26	32	37	41	45
	4' Length	CFM	30	55	75	97.5	120	145	165
		Static Pressure	.009	.026	.054	.091	.137	.194	.259
		Horizontal Throw	2-3-6	4-5-11	5-8-15	7-10-20	8-12-24	10-14-27	11-17-29
		NC	<15	18	25	30	36	40	44
8" Inlet	2' Length	CFM	25	40	55	70	85	100	115
		Static Pressure	.036	.093	.175	.284	.419	.580	.767
		Horizontal Throw	2-5-12	6-10-19	9-13-26	11-17-29	14-20-32	16-24-35	18-26-37
		NC	<15	17	24	30	35	39	41
	4' Length	CFM	40	60	85	105	130	150	175
		Static Pressure	.014	.032	.065	.099	.152	.202	.275
		Horizontal Throw	3-4-8	4-6-12	6-9-17	7-11-21	9-13-25	10-15-27	12-18-30
		NC	<15	17	24	29	34	38	42
10" Inlet	2' Length	CFM	35	45	55	65	75	85	95
		Static Pressure	.085	.140	.210	.293	.390	.501	.625
		Horizontal Throw	4-8-17	7-11-22	9-13-26	10-16-28	12-18-30	14-20-32	15-23-34
		NC	<15	17	22	26	30	33	35
	4' Length	CFM	55	70	85	100	115	130	145
		Static Pressure	.028	.045	.066	.092	.122	.155	.193
		Horizontal Throw	4-6-11	5-7-14	6-9-17	7-10-20	8-12-23	9-13-25	10-15-27
		NC	<15	17	21	25	28	31	34
12" Inlet	2' Length	CFM	65	85	110	135	160	185	210
		Static Pressure	.022	.038	.063	.095	.133	.178	.229
		Horizontal Throw	5-11-22	9-14-29	12-19-36	15-23-40	18-27-44	21-31-47	24-35-50
		NC	<15	16	20	23	26	29	32
	4' Length	CFM	130	170	220	270	320	370	420
		Static Pressure	.027	.046	.077	.117	.164	.219	.282
		Horizontal Throw	6-9-18	8-12-24	10-16-31	13-19-27	15-23-40	17-26-43	20-30-46
		NC	17	22	27	33	37	41	44

SERIES 6600 UP/UI PERFORMANCE DATA MODEL UP/UI-6675 — 2 SLOT

6" Inlet	2' Length	CFM	30	55	80	105	130	155	180
		Static Pressure	.009	.029	.061	.105	.161	.228	.308
		Horizontal Throw	1-3-10	4-9-19	8-14-27	12-18-35	15-22-39	18-26-43	20-31-46
		NC	<15	18	27	33	39	42	44
	4' Length	CFM	45	85	120	160	195	235	270
		Static Pressure	.009	.033	.065	.116	.172	.250	.330
		Horizontal Throw	1-3-6	4-6-12	6-8-17	8-11-23	9-14-28	11-17-33	13-19-37
		NC	<15	18	25	33	37	41	43
8" Inlet	2' Length	CFM	45	65	85	105	125	145	165
		Static Pressure	.007	.023	.049	.084	.128	.181	.244
		Horizontal Throw	1-3-10	5-9-19	9-14-27	12-18-32	15-22-35	17-26-39	20-29-42
		NC	<15	<15	23	29	35	39	43
	4' Length	CFM	70	100	130	160	190	220	250
		Static Pressure	.014	.028	.047	.071	.100	.135	.174
		Horizontal Throw	3-5-10	5-7-14	6-9-18	8-11-23	9-13-27	10-16-31	12-18-35
		NC	<15	17	23	28	33	37	39
10" Inlet	2' Length	CFM	50	70	90	110	130	150	170
		Static Pressure	.023	.045	.074	.111	.155	.207	.265
		Horizontal Throw	3-7-17	6-12-24	10-15-31	12-19-36	15-22-39	17-25-42	19-29-45
		NC	<15	17	22	27	32	35	38
	4' Length	CFM	75	105	135	165	195	225	255
		Static Pressure	.025	.050	.082	.123	.171	.228	.293
		Horizontal Throw	4-5-11	5-7-15	6-10-19	8-12-23	9-14-28	11-16-32	12-18-36
		NC	<15	16	21	26	30	34	37
12" Inlet	2' Length	CFM	73	95	120	145	170	195	220
		Static Pressure	.021	.036	.058	.084	.116	.152	.194
		Horizontal Throw	7-12-25	11-16-32	14-20-38	16-25-42	19-29-45	22-33-48	25-36-51
		NC	<15	18	21	25	28	31	34
	4' Length	CFM	110	145	180	220	255	295	330
		Static Pressure	.025	.044	.068	.102	.137	.183	.229
		Horizontal Throw	5-8-16	7-10-21	8-13-25	10-16-31	12-18-36	14-21-38	16-23-41
		NC	<15	20	24	29	33	36	39

SERIES 6600 UP/UI PERFORMANCE DATA MODEL UP/UI-6675 — 3 SLOT

6" Inlet	2' Length	CFM	45	70	95	120	145	170	195
		Static Pressure	.012	.029	.053	.084	.122	.168	.221
		Horizontal Throw	1-3-12	3-8-19	6-13-26	10-17-33	13-20-40	16-24-45	18-27-48
		NC	<15	17	24	30	35	39	41
	4' Length	CFM	70	105	145	180	220	255	295
		Static Pressure	.017	.037	.071	.110	.165	.221	.296
		Horizontal Throw	2-4-8	4-6-12	6-8-17	7-10-21	8-13-25	10-15-29	11-17-34
		NC	<15	17	24	29	34	38	41
8" Inlet	2' Length	CFM	55	85	115	145	175	205	235
		Static Pressure	.012	.029	.054	.082	.124	.171	.224
		Horizontal Throw	2-5-15	5-11-24	9-16-32	13-20-40	16-24-46	19-28-50	22-33-53
		NC	<15	18	25	30	35	39	42
	4' Length	CFM	85	130	175	220	265	310	355
		Static Pressure	.013	.031	.057	.090	.130	.178	.233
		Horizontal Throw	2-5-10	5-8-15	7-10-20	8-13-25	10-15-31	12-18-36	14-20-41
		NC	<15	18	24	30	34	39	42
10" Inlet	2' Length	CFM	65	100	130	160	190	220	250
		Static Pressure	.015	.037	.062	.094	.132	.177	.229
		Horizontal Throw	3-7-18	7-14-28	12-18-36	15-22-44	18-26-48	20-30-51	23-35-55
		NC	<15	19	25	30	34	38	41
	4' Length	CFM	100	150	195	240	285	330	375
		Static Pressure	.018	.041	.070	.105	.149	.199	.257
		Horizontal Throw	3-6-12	6-9-17	8-11-23	9-14-28	11-16-33	13-19-38	14-22-42
		NC	<15	18	24	29	34	37	40
12" Inlet	2' Length	CFM	85	120	155	190	225	260	295
		Static Pressure	.022	.043	.072	.108	.152	.203	.261
		Horizontal Throw	5-11-24	10-17-33	14-21-43	18-26-48	21-31-52	24-36-56	27-41-59
		NC	<15	<15	18	22	26	30	33
	4' Length	CFM	130	180	235	285	340	390	445
		Static Pressure	.016	.031	.053	.078	.111	.146	.190
		Horizontal Throw	5-8-15	7-10-21	9-14-27	11-16-33	13-20-29	15-23-44	17-26-47
		NC	<15	18	24	29	33	37	39

SERIES 6600 UP/UI PERFORMANCE DATA MODEL UP/UI-6675 — 4 SLOT

6" Inlet	2' Length	CFM	50	80	110	140	170	200	230
		Static Pressure	.011	.029	.055	.089	.131	.181	.239
		Horizontal Throw	1-3-10	3-6-19	5-12-26	9-17-34	13-20-41	16-24-48	18-28-53
		NC	<15	16	23	30	35	39	43
	4' Length	CFM	75	120	165	210	255	300	345
		Static Pressure	.016	.042	.079	.129	.190	.263	.348
		Horizontal Throw	1-3-8	3-6-12	6-8-17	7-11-21	9-13-26	10-15-30	12-17-35
		NC	<15	16	23	29	34	37	39
8" Inlet	2' Length	CFM	70	100	130	160	190	220	250
		Static Pressure	.016	.042	.079	.129	.190	.263	.348
		Horizontal Throw	1-3-8	3-6-12	6-8-17	7-11-21	9-13-26	10-15-30	12-17-35
		NC	<15	18	24	29	33	37	39
	4' Length	CFM	105	150	195	240	285	330	375
		Static Pressure	.017	.034	.057	.086	.122	.163	.211
		Horizontal Throw	2-5-11	5-8-15	7-10-20	8-12-24	10-14-29	11-17-33	13-19-38
		NC	<15	17	23	28	32	36	39
10" Inlet	2' Length	CFM	80	110	140	170	200	230	260
		Static Pressure	.014	.027	.044	.065	.090	.119	.152
		Horizontal Throw	3-6-19	5-12-26	8-1-34	13-20-41	16-24-48	18-28-53	21-31-56
		NC	<15	17	23	27	32	35	38
	4' Length	CFM	125	165	210	255	300	345	390
		Static Pressure	.017	.030	.049	.072	.099	.131	.167
		Horizontal Throw	3-6-13	6-8-17	7-11-21	9-13-26	10-15-20	12-17-35	13-20-39
		NC	<15	16	22	26	30	34	37
12" Inlet	2' Length	CFM	100	140	180	220	260	300	340
		Static Pressure	.007	.014	.023	.034	.047	.063	.081
		Horizontal Throw	4-10-24	9-17-34	14-22-43	18-26-51	21-31-56	24-36-60	27-41-64
		NC	<15	16	20	23	26	29	32
	4' Length	CFM	150	210	270	330	390	450	510
		Static Pressure	.014	.028	.046	.069	.096	.128	.164
		Horizontal Throw	5-8-15	7-11-21	9-14-27	11-17-33	13-20-39	15-23-45	17-26-50
		NC	<15	19	24	28	32	36	39

SERIES 6600 UP/UI PERFORMANCE DATA MODEL UP/UI-6610—1 SLOT

6" Inlet	2' Length	CFM	30	45	60	75	90	105	120
		Static Pressure	.013	.029	.052	.082	.117	.160	.209
		Horizontal Throw	2-5-12	5-9-19	8-12-25	10-16-30	12-19-33	15-22-35	17-25-38
		NC	16	23	30	35	40	44	46
	4' Length	CFM	45	70	90	115	135	160	180
		Static Pressure	.012	.029	.048	.078	.107	.151	.191
		Horizontal Throw	2-4-8	4-6-12	5-8-16	7-10-20	8-12-23	9-14-28	10-16-30
		NC	16	23	29	34	39	43	46
8" Inlet	2' Length	CFM	40	50	65	80	95	110	125
		Static Pressure	.032	.051	.085	.129	.182	.244	.316
		Horizontal Throw	4-8-17	6-10-21	9-14-27	11-17-31	13-20-34	15-23-36	17-26-39
		NC	17	22	28	33	38	40	42
	4' Length	CFM	60	75	100	120	145	165	190
		Static Pressure	.017	.026	.047	.068	.099	.128	.170
		Horizontal Throw	3-5-10	4-6-13	6-9-17	7-10-21	8-13-25	10-14-29	11-16-31
		NC	17	21	28	32	37	40	43
10" Inlet	2' Length	CFM	40	55	70	85	100	115	130
		Static Pressure	.044	.083	.134	.197	.273	.361	.461
		Horizontal Throw	4-8-17	7-11-23	10-15-29	12-18-32	14-21-35	16-24-37	18-27-39
		NC	16	24	30	35	38	39	39
	4' Length	CFM	60	85	105	130	150	175	195
		Static Pressure	.016	.033	.050	.076	.102	.138	.172
		Horizontal Throw	3-5-10	5-7-15	6-9-18	8-11-23	9-13-26	10-15-30	11-17-31
		NC	<15	21	26	31	35	30	41
12" Inlet	2' Length	CFM	48	65	80	95	110	125	140
		Static Pressure	.018	.033	.050	.071	.095	.123	.154
		Horizontal Throw	5-10-20	9-14-27	11-17-31	13-20-34	15-23-36	17-26-39	19-29-41
		NC	<15	<15	19	23	26	29	32
	4' Length	CFM	70	100	120	145	165	190	210
		Static Pressure	.029	.058	.084	.123	.159	.211	.258
		Horizontal Throw	4-6-12	6-9-17	7-10-21	8-13-25	10-14-29	11-16-31	12-18-32
		NC	<15	21	25	30	33	35	37

SERIES 6600 UP/UI PERFORMANCE DATA MODEL UP/UI-6610—2 SLOT

6" Inlet	2' Length	CFM	30	55	80	105	130	155	180
		Static Pressure	.006	.020	.042	.072	.110	.156	.211
		Horizontal Throw	1-2-7	2-6-16	5-12-24	9-15-31	13-19-38	15-23-43	18-26-46
		NC	<15	18	27	33	39	42	44
	4' Length	CFM	45	85	120	160	15	235	270
		Static Pressure	.009	.031	.061	.109	.162	.235	.310
		Horizontal Throw	1-2-6	3-5-10	5-7-15	7-10-20	8-12-24	10-14-29	11-17-33
		NC	<15	18	25	33	37	41	43
8" Inlet	2' Length	CFM	45	65	85	105	125	145	165
		Static Pressure	.017	.035	.059	.090	.128	.172	.223
		Horizontal Throw	2-4-13	3-8-19	6-12-25	9-15-31	12-18-37	14-21-42	16-24-44
		NC	<15	18	24	29	33	37	40
	4' Length	CFM	70	100	130	160	190	220	250
		Static Pressure	.014	.028	.047	.071	.100	.135	.174
		Horizontal Throw	2-4-9	4-6-12	5-8-16	7-10-20	8-12-23	9-13-27	10-15-31
		NC	<15	17	23	28	33	37	39
10" Inlet	2' Length	CFM	50	70	90	110	130	150	170
		Static Pressure	.023	.045	.074	.111	.155	.207	.265
		Horizontal Throw	2-5-15	4-9-21	7-13-26	10-16-232	13-19-38	15-22-42	17-25-45
		NC	<15	17	22	27	32	35	38
	4' Length	CFM	75	105	135	165	195	225	255
		Static Pressure	.012	.024	.039	.059	.082	.109	.140
		Horizontal Throw	2-5-9	4-6-13	6-8-17	7-10-20	8-12-24	9-14-28	10-16-31
		NC	<15	16	21	26	30	34	37
12" Inlet	2' Length	CFM	60	90	120	150	180	210	240
		Static Pressure	.014	.032	.058	.090	.130	.176	.230
		Horizontal Throw	3-7-18	7-13-26	12-18-35	15-22-42	18-26-46	21-31-50	24-35-54
		NC	<15	17	21	26	29	33	36
	4' Length	CFM	90	135	180	225	270	315	360
		Static Pressure	.017	.038	.068	.106	.153	.208	.272
		Horizontal Throw	3-6-11	6-8-17	7-11-22	9-14-28	11-17-33	13-19-39	15-22-42
		NC	<15	18	24	30	34	38	41

SERIES 6600 UP/UI PERFORMANCE DATA MODEL UP/UI-6610—3 SLOT

6" Inlet	2' Length	CFM	40	65	90	115	140	165	190
		Static Pressure	.007	.019	.036	.058	.087	.120	.160
		Horizontal Throw	1-2-6	2-4-16	4-8-22	6-13-28	9-17-34	12-20-40	15-23-46
		NC	<15	16	23	29	34	38	41
	4' Length	CFM	60	100	135	175	210	250	285
		Static Pressure	.011	.030	.055	.093	.134	.190	.247
		Horizontal Throw	1-2-6	2-5-10	4-7-44	6-9-18	7-11-21	8-13-25	10-14-29
		NC	<15	16	22	28	33	37	40
8" Inlet	2' Length	CFM	50	80	110	140	170	200	230
		Static Pressure	.010	.026	.049	.080	.117	.162	.215
		Horizontal Throw	1-3-10	3-6-19	5-12-26	9-17-34	13-20-41	16-24-48	18-28-53
		NC	<15	17	24	29	34	38	42
	4' Length	CFM	75	120	165	210	255	300	345
		Static Pressure	.008	.022	.041	.066	.098	.135	.179
		Horizontal Throw	1-3-8	3-6-12	6-8-17	7-11-21	9-13-26	10-15-30	12-17-35
		NC	<15	17	23	28	33	38	41
10" Inlet	2' Length	CFM	60	110	140	170	200	230	260
		Static Pressure	.008	.028	.045	.056	.092	.122	.155
		Horizontal Throw	2-4-14	5-12-26	9-17-34	13-20-41	16-24-48	18-28-53	21-31-56
		NC	<15	21	27	32	36	39	42
	4' Length	CFM	90	165	210	255	300	345	390
		Static Pressure	.008	.026	.042	.062	.086	.113	.145
		Horizontal Throw	2-4-9	6-8-17	7-11-21	9-13-26	10-15-30	12-17-35	13-20-39
		NC	<15	20	26	31	35	38	40
12" Inlet	2' Length	CFM	80	120	160	200	240	280	320
		Static Pressure	.010	.022	.038	.060	.086	.118	.154
		Horizontal Throw	3-6-19	6-14-29	11-19-38	16-24-48	19-29-54	22-34-58	26-38-62
		NC	<15	<15	19	23	28	31	35
	4' Length	CFM	120	180	240	300	360	420	480
		Static Pressure	.009	.021	.038	.059	.084	.115	.150
		Horizontal Throw	3-6-12	6-9-18	8-12-24	10-15-30	12-18-36	14-1-42	16-24-48
		NC	<15	18	25	30	35	38	41

SERIES 6600 UP/UI PERFORMANCE DATA MODEL UP/UI-6610—4 SLOT

6" Inlet	2' Length	CFM	50	80	110	140	170	200	230
		Static Pressure	.009	.022	.042	.069	.101	.140	.185
		Horizontal Throw	1-2-6	2-4-17	3-8-23	6-13-29	8-18-35	12-21-42	15-24-48
		NC	<15	16	23	30	35	39	43
	4' Length	CFM	75	120	165	210	255	300	345
		Static Pressure	.012	.032	.060	.098	.144	.200	.264
		Horizontal Throw	1-2-6	2-5-10	4-7-14	6-9-18	7-11-22	9-13-26	10-15-30
		NC	<15	16	23	29	34	37	39
8" Inlet	2' Length	CFM	70	100	130	160	190	220	250
		Static Pressure	.017	.035	.059	.090	.126	.169	.219
		Horizontal Throw	1-3-13	3-6-21	5-11-27	7-17-33	10-20-39	14-23-46	17-26-52
		NC	<15	18	24	29	33	37	39
	4' Length	CFM	105	150	195	240	285	330	375
		Static Pressure	.013	.027	.045	.068	.096	.129	.166
		Horizontal Throw	2-4-9	3-6-13	5-8-17	7-10-21	8-12-25	10-14-29	11-16-32
		NC	<15	19	26	32	36	40	42
10" Inlet	2' Length	CFM	80	120	160	200	240	280	320
		Static Pressure	.010	.022	.038	.060	.086	.118	.154
		Horizontal Throw	2-4-17	4-9-25	7-17-33	12-21-42	17-25-50	19-29-58	22-33-62
		NC	<15	19	26	32	36	40	42
	4' Length	CFM	125	180	240	300	360	420	480
		Static Pressure	.012	.025	.044	.069	.100	.136	.178
		Horizontal Throw	2-5-11	5-8-16	7-10-21	9-13-26	10-16-31	12-18-36	14-21-42
		NC	<15	18	25	30	35	39	42
12" Inlet	2' Length	CFM	90	140	190	240	290	340	390
		Static Pressure	.007	.017	.031	.050	.073	.101	.132
		Horizontal Throw	2-5-19	6-13-29	10-20-39	17-25-50	20-30-59	24-35-64	27-41-68
		NC	<15	16	21	25	28	32	35
	4' Length	CFM	135	210	285	360	435	510	585
		Static Pressure	.008	.020	.038	.060	.088	.120	.158
		Horizontal Throw	3-6-12	6-9-18	8-12-25	10-16-31	13-19-38	15-22-44	17-25-51
		NC	<15	19	25	30	35	39	42

PERFORMANCE NOTES FOR SERIES UP/UPI 6600

All data is tested in accordance with ANSI/ASHRAE 70-2006.

DEFINITION OF UNITS

1. On units without UP/UPI plenums, pressure drop reported is across the diffuser element only
The field supply plenum pressure drop should be included when determining system fan requirements
A good approximation of the static pressure requirements can be calculated by adding the velocity pressure through the plenum inlet to the diffuser section pressure drop
2. NC is based on a 4 ft. section of diffuser
The following table should be used to calculate sound levels for lengths other than 4 ft.
3. To correct throws for lengths other than the 4 ft. lengths used in determining catalog performance, throws should be adjusted per the following table

NC Correction for Length			
Length (feet)	2	4	6
NC Correction	-2	0	2
Throw Correction Multiplier for Length			
Length (feet)	2	4	8
Throw Correction	-7	1	1.2

4. All pressures are in inches of water
5. Isothermal throws are given for terminal velocities of 150, 100 and 50fpm, based upon 4' section
6. Vertical throw values are based on a 50fpm terminal velocity
7. For Vertical supply subtract one NC
8. For Returns minus pattern controllers, deduct 12 NC
9. Throw values are based on a 1-Way discharge from the slot. For 2-Way discharge, throw is based upon the number and size of the slots throwing in each direction, with the total supply air flow split equally between all slots in the unit
10. Data was collected in accordance to ASHRAE standard 70-2006 Method of Testing for rating the performance of air outlets and inlets

MODEL UP/UIPI-6660 RETURN PERFORMANCE DATA

Number of Slots	Negative Ps Inches of Water	.020	.040	.060	.080	.100	.150
1	CFM/FT	15	20	25	30	35	40
	NC	-	20	27	32	37	41
2	CFM/FT	35	50	60	70	80	95
	NC	-	22	27	32	37	41
3	CFM/FT	55	80	95	110	125	150
	NC	-	23	28	33	37	42
4	CFM/FT	70	100	120	140	155	190
	NC	-	24	30	34	37	44
5	CFM/FT	90	135	155	180	200	245
	NC	-	25	30	34	37	44
6	CFM/FT	110	155	195	220	245	300
	NC	-	26	33	37	40	96
7	CFM/FT	130	185	225	260	290	365
	NC	-	27	33	37	41	47
8	CFM/FT	140	200	245	280	310	385
	NC	-	28	34	38	42	48

MODEL UP/UIPI-6675 DUCT CONNECTED RETURN PERFORMANCE DATA

Number of Slots	Negative Ps Inches of Water	.020	.040	.060	.080	.100	.150
1	CFM/FT	25	35	45	50	55	70
	NC	-	21	29	32	35	42
2	CFM/FT	55	80	90	100	110	135
	NC	-	25	29	32	35	42
3	CFM/FT	90	115	140	160	180	220
	NC	-	26	32	36	40	46
4	CFM/FT	100	140	175	200	225	275
	NC	-	27	34	38	41	47
5	CFM/FT	140	185	225	260	290	360
	NC	-	28	34	38	42	48
6	CFM/FT	160	225	275	320	360	440
	NC	-	29	35	40	43	49
7	CFM/FT	175	250	305	350	395	480
	NC	-	30	36	40	44	50
8	CFM/FT	200	285	350	400	450	545
	NC	-	31	37	41	45	51

MODEL UP/UPI-6610 DUCT CONNECTED RETURN PERFORMANCE DATA

Number of Slots	Negative Ps Inches of Water	.020	.040	.060	.080	.100	.150
1	CFM/FT	35	50	60	70	80	95
	NC	-	25	31	36	40	45
2	CFM/FT	70	100	125	140	155	190
	NC	-	27	33	37	41	47
3	CFM/FT	105	150	185	210	235	285
	NC	-	29	35	39	43	49
4	CFM/FT	140	200	250	280	310	380
	NC	-	31	37	41	45	51
5	CFM/FT	175	250	300	350	390	475
	NC	-	32	38	42	46	52
6	CFM/FT	210	300	375	420	465	570
	NC	-	33	40	43	47	53
7	CFM/FT	245	350	425	490	545	665
	NC	-	34	41	44	47	54
8	CFM/FT	280	400	475	560	620	760
	NC	-	35	42	45	48	55

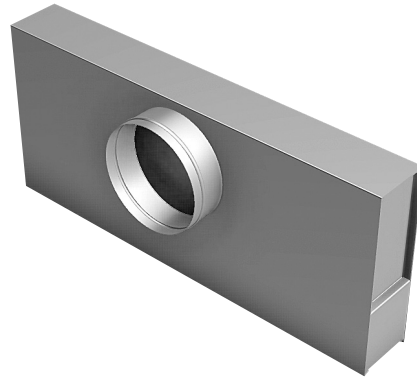
LINEAR BAR GRILLES

The METALAIRE line of linear bar grilles is designed for installation in sidewall, sill or floor and can be used for supply or return air.

2000 BAR GRILLES



UP2000 PLENUM



2000 Bar Grilles. The 2000 series of linear bar grilles and registers is constructed of high grade aluminum extrusion and is available in a variety of core and border styles.

- 2000 – 1" border – 7/32" bars – 1/2" centers
- 2100 – 1/2" border – 7/32" bars – 1/2" centers
- 2200F – 3/16" border – 7/32" bars – 1/2" centers
- 2300 – 1" border – 1/8" bars – 1/4" centers
- 2400 – 1/2" border – 1/8" bars – 1/4" centers
- 2500 – 1" border – 1/8" bars – 1/2" centers

PAGE 132

UP2000 Plenum. The UP2000 universal plenum is constructed of galvanized steel and is available with or without insulation.

- UP2000 – Uninsulated plenum
- UPI2000 – Insulated plenum

PAGE 153



Series 2000 - 1 borders - 7/32 bars - 1/2 centers		
Wall Mounted	Core Only	Floor Mounted
2000 - 0° Deflection	2000CO - 0° Deflection	2000F - 0° Deflection
2015 - 15° Deflection	2015CO - 15° Deflection	2015F - 15° Deflection
2030 - 30° Deflection	2030CO - 30° Deflection	2030F - 30° Deflection

Concealed Mounting Hanger	Plaster Wall & Ceiling With Subframe
2000H - 0° Deflection	2000HP - 0° Deflection
2015H - 15° Deflection	2015HP - 15° Deflection
2030H - 30° Deflection	2030HP - 30° Deflection

Series 2100 - 1/2 borders - 7/32 bars - 1/2 centers		
Wall Mounted	Concealed Mounting Hanger	Concealed Spline Subframe
2100 - 0° Deflection	2100H - 0° Deflection	2100HP - 0° Deflection
2115 - 15° Deflection	2115H - 15° Deflection	2115HP - 15° Deflection
2130 - 30° Deflection	2130H - 30° Deflection	2130HP - 30° Deflection

Narrow Subframe	Combination Subframe
2100HW - 0° Deflection	2100HC - 0° Deflection
2115HW - 15° Deflection	2115HC - 15° Deflection
2130HW - 30° Deflection	2130HC - 30° Deflection

Series 2200 - 3/16 borders - 7/32 bars - 1/2 centers	
Non Flanged Floor Mounting	Non Flanged Floor Mounting Pencil Proof
2200F - 0° Deflection	2200FP - 0° Deflection
2215F - 15° Deflection	2215FP - 15° Deflection
2230F - 30° Deflection	2230FP - 30° Deflection



Series 2300 - 1 borders - 1/8 bars - 1/4 centers		
Wall Mounted	Core Only	Floor Mounted
2300 - 0° Deflection	2300CO - 0° Deflection	2300F - 0° Deflection
2315 - 15° Deflection	2315CO - 15° Deflection	2315F - 15° Deflection
2330 - 30° Deflection	2330CO - 30° Deflection	2330F - 30° Deflection

Concealed Mounting Hanger	Spline Subframe	Concealed Floor Mount
2300H - 0° Deflection	2300HP - 0° Deflection	2300FH - 0° Deflection
2315H - 15° Deflection	2315HP - 15° Deflection	2315FH - 15° Deflection
2330H - 30° Deflection	2330HP - 30° Deflection	2330FH - 30° Deflection

Series 2400 - 1/2 borders - 1/8 bars - 1/4 centers		
Wall Mounted	Concealed Mounting Hanger	Spline Subframe
2400 - 0° Deflection	2400H - 0° Deflection	2400HC - 0° Deflection
2415 - 15° Deflection	2415H - 15° Deflection	2415HC - 15° Deflection
2430 - 30° Deflection	2430H - 30° Deflection	2430HC - 30° Deflection

Concealed Spline Subframe	Narrow Subframe
2400HP - 0° Deflection	2400HW - 0° Deflection
2415HP - 15° Deflection	2415HW - 15° Deflection
2430HP - 30° Deflection	2430HW - 30° Deflection

Series 2500 - 1 borders - 1/8 bars - 1/2 centers	
Wall Mounted	
2500 - 0° Deflection	
2515 - 15° Deflection	
2530 - 30° Deflection	

Concealed Mounting Hanger	Plaster Wall & Ceiling With Subframe
2500H - 0° Deflection	2500HP - 0° Deflection
2515H - 15° Deflection	2515HP - 15° Deflection
2530H - 30° Deflection	2530HP - 30° Deflection

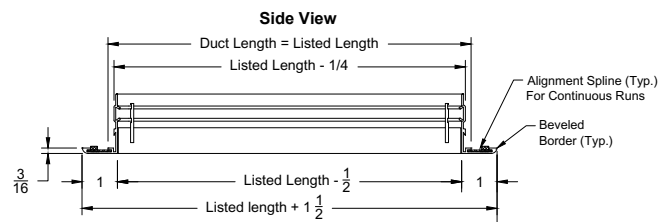
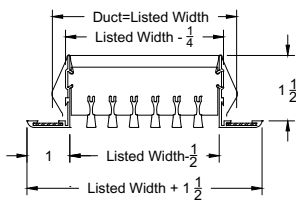
MODEL 2000

The 2000 series linear bar grille is engineered for supply and return air distribution, heating, cooling and ventilating applications. It is designed for sidewall, floor, sill or ceiling application.

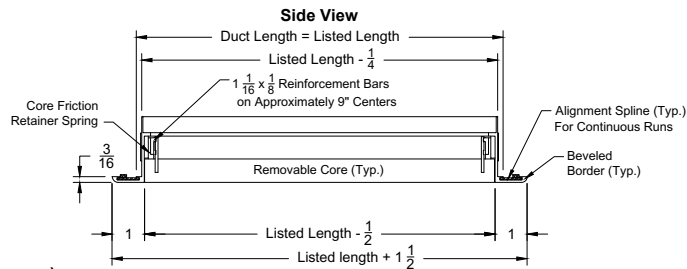
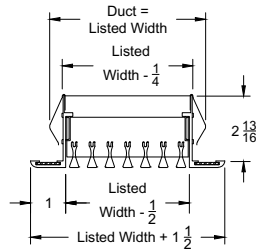
- Heavy gauge extruded aluminum construction
- Wide variety of border widths and frame styles
- Complete line of accessories



Models: 2000, 2015, 2030 (Wall Mounting)

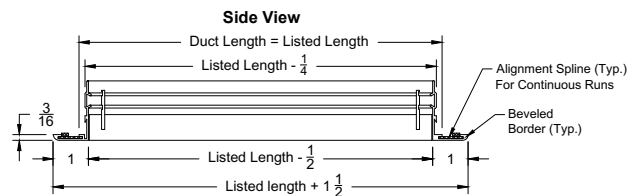
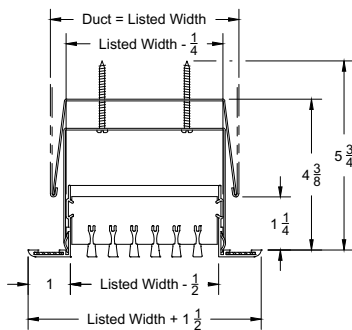


Models: 2000 F, 2015 F, 2030 F, 2000 FP (Pencil Proof), 2015 FP (Pencil Proof), 2030 FP (Pencil Proof) (Floor /Wall/Sill Mounting)

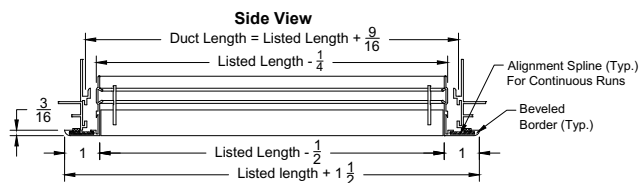
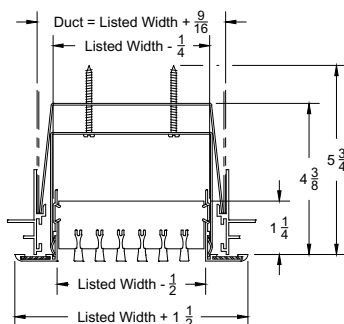


* 12" Maximum Available Width

Models: 2000H, 2015H, 2030H (Concealed Mounting Hanger)

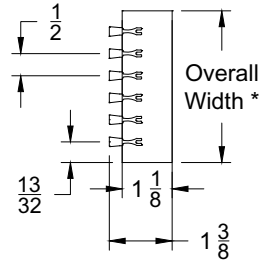
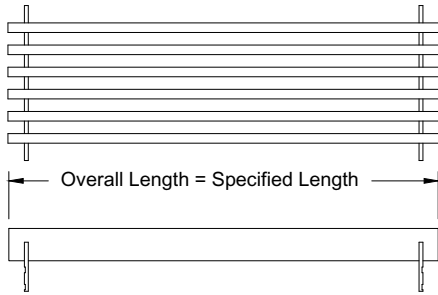


Models: 2000 HP, 2015 HP, 2030 HP (Spline Subframe For Plaster Wall & Ceilings)

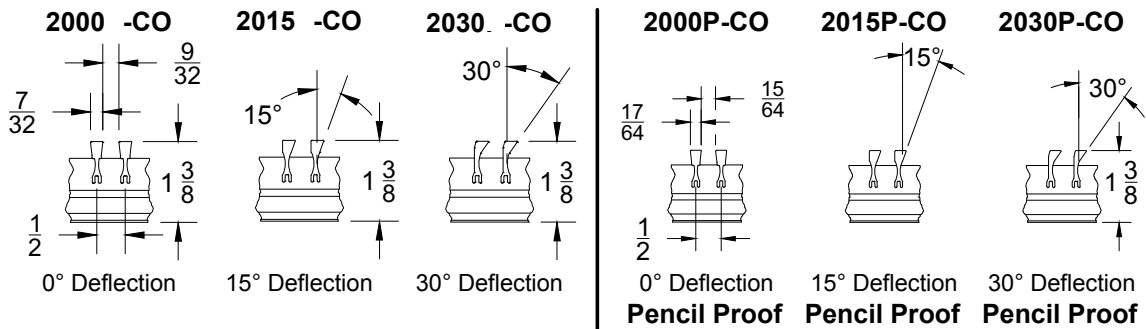


**Core Only (2000-CO, 2015-CO and 2030-CO)
(2000P-CO, 2015P-CO and 2030P-CO)**

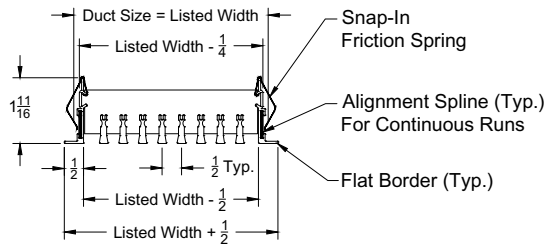
*****2000 Cores Are Same As 2100 Cores*****



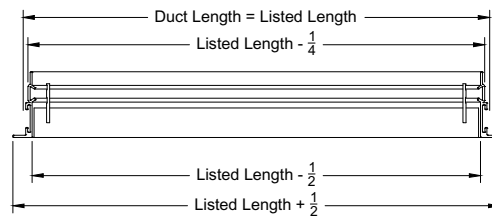
Available Overall Width (Inches)							
Width	Bars	Width	Bars	Width	Bars	Width	Bars
1 1/2	2	7 1/2	14	13 1/2	26	19 1/2	38
2	3	8	15	14	27	20	39
2 1/2	4	8 1/2	16	14 1/2	28	20 1/2	40
3	5	9	17	15	29	21	41
3 1/2	6	9 1/5	18	15 1/3	30	21 1/2	42
4	7	10	19	16	31	22	43
4 1/2	8	10 1/2	20	16 1/2	32	22 1/2	44
5	9	11	21	17	33	23	45
5 1/2	10	11 1/2	22	17 1/2	34	23 1/2	46
6	11	12	23	18	35	24	47
6 1/2	12	12 1/2	24	18 1/2	36	-	-
7	13	13	25	19	37	-	-



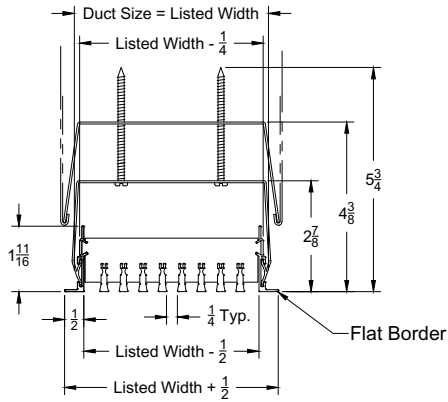
Models: 2100, 2115, 2130 (Wall Mounting)



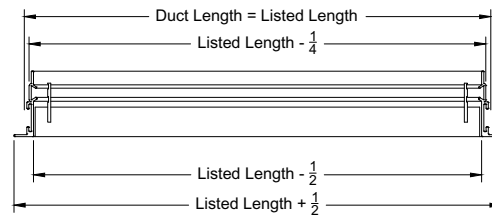
Side View



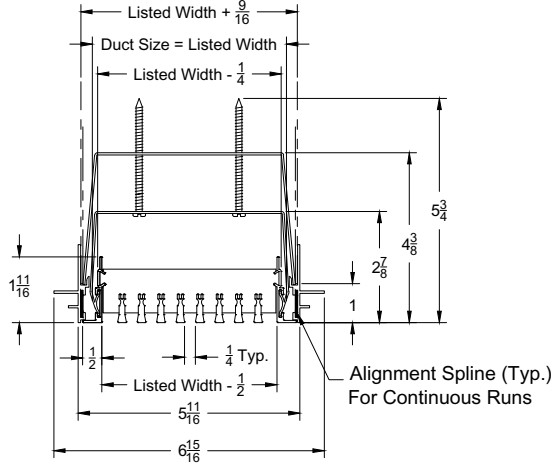
Models: 2100H, 2115H, 2130H (Concealed Mounting Hanger)



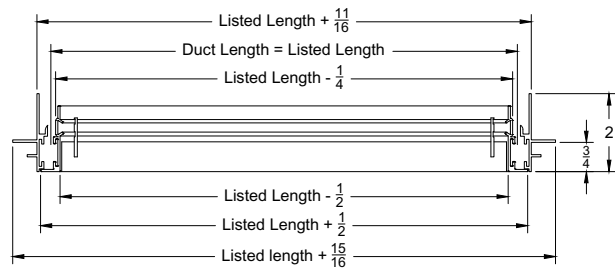
Side View



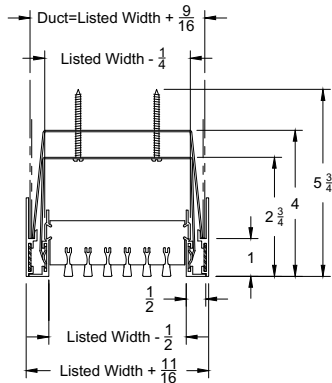
Models: 2100HP, 2115HP, 2130HP (Concealed Spline Subframe)



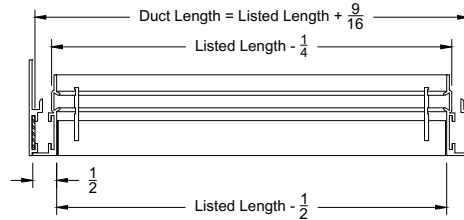
Side View



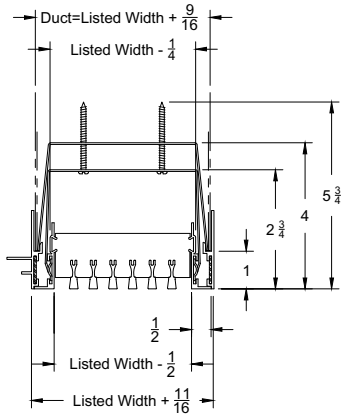
Models: 2100 HW, 2115 HW, 2130 HW (Narrow Subframe)



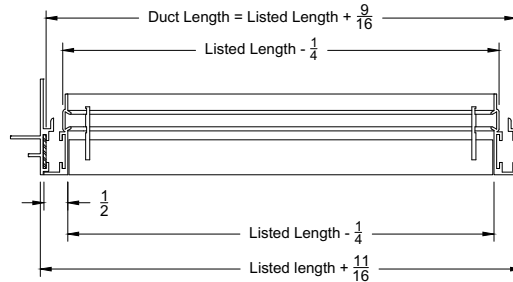
Side View



Models: 2100 HC, 2115 HC, 2130 HC (Combination Subframe)

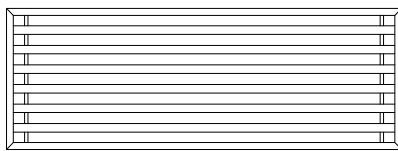


Side View

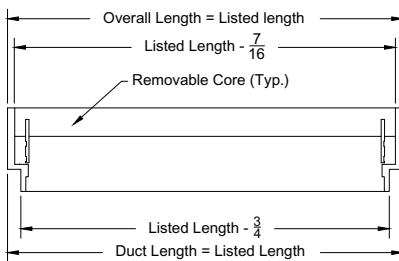
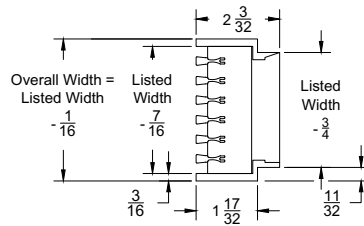


Models: 2200 F, 2215 F, 2230 F, 2200 FP, 2215 FP, 2230 FP - Non Flanged Floor Mounting

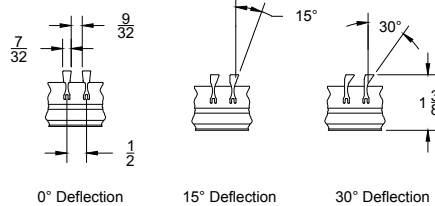
Face View (all models)



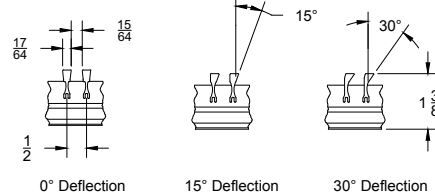
Side View (all models)



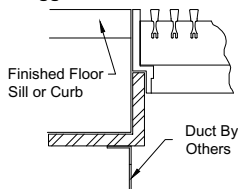
Model: F



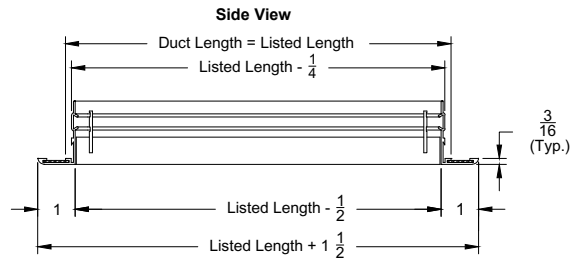
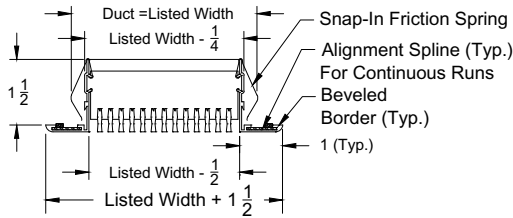
Model: FP



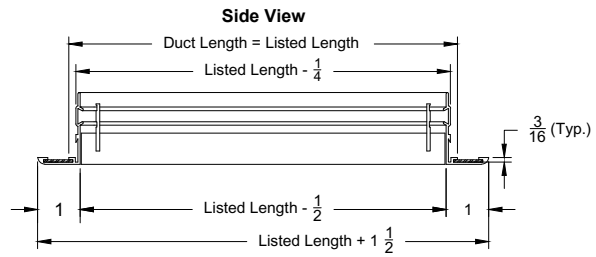
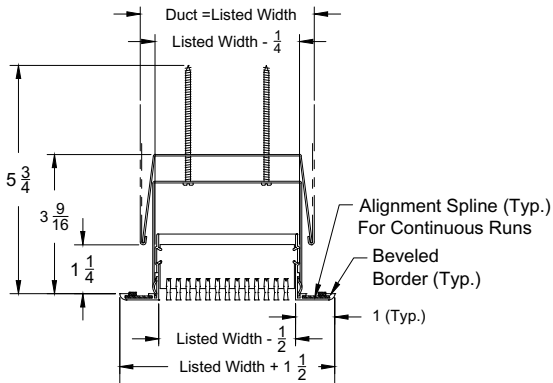
Suggested Installation



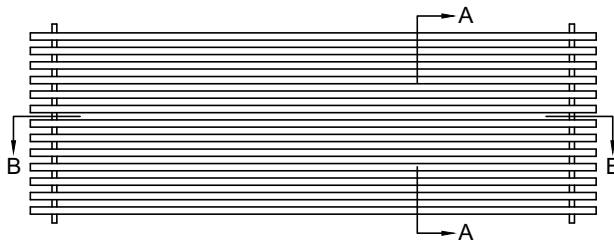
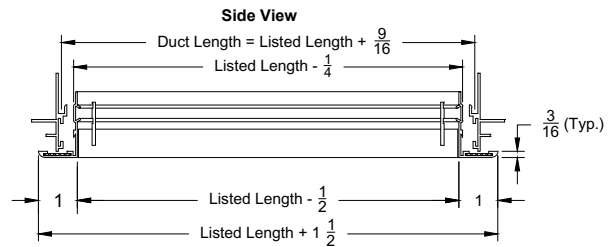
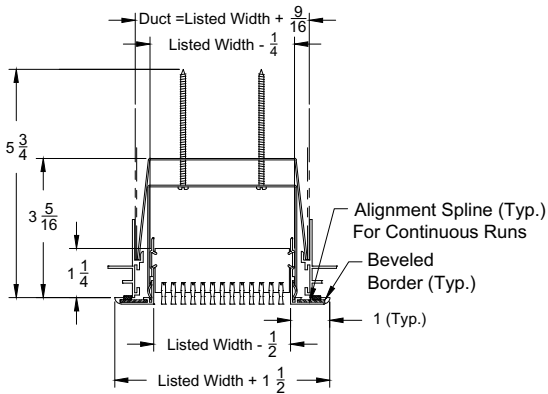
Models: 2300, 2315, 2330 (Wall Mounting - 0° / 15° / 30° Deflection)



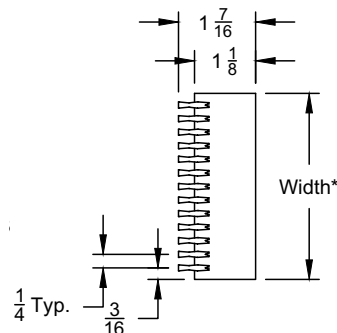
Models: 2300H, 2315H, 2330H (Concealed Mounting Hangers - 0° / 15° / 30° Deflection)



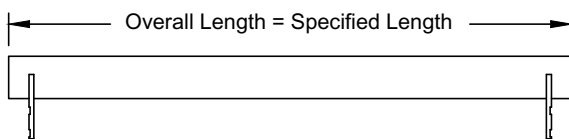
Models: 2300HP, 2315HP, 2330HP (Concealed Spline Mounting Frame - 0° / 15° / 30° Deflection)



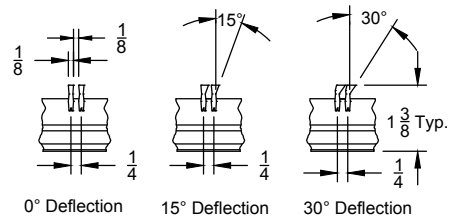
Face View (All Models)



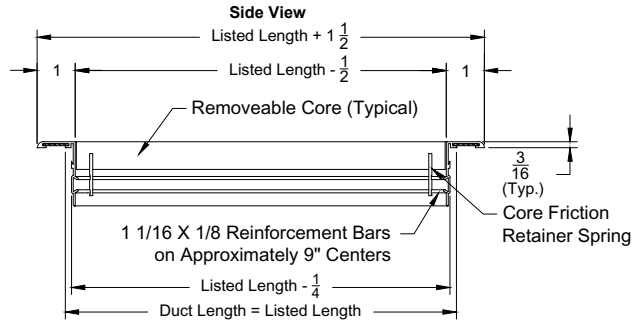
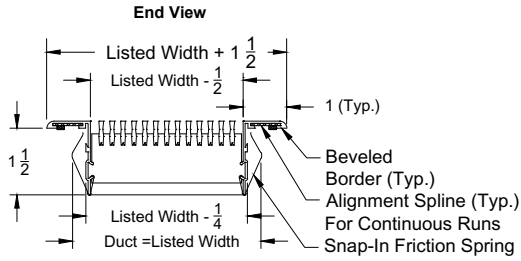
Section A-A - All Models



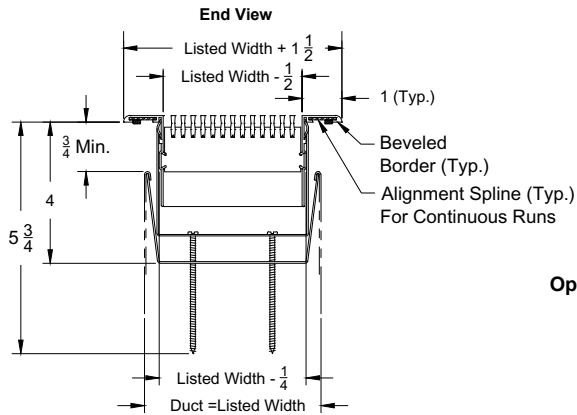
Section B-B - All Models



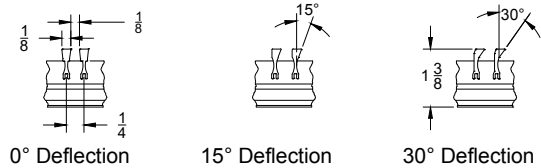
Models: 2300F, 2315F and 2330F (Standard Spring Clip Mount)



Models: 2300 F/H (Concealed Mounting)



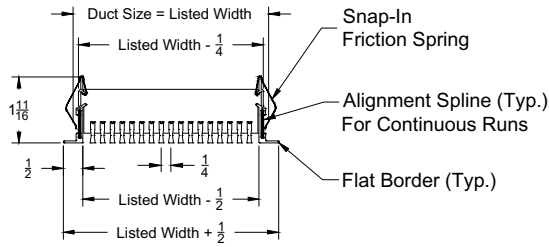
Options: 0°, 15° or 30° Deflection



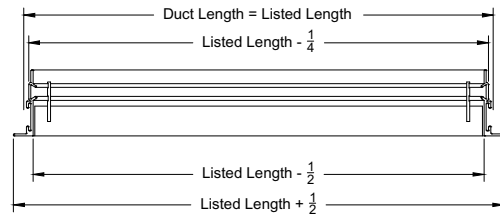
*Available Overall Width (Inches)																						
1	1 1/2	2	2 1/2	3	3 1/2	4	4 1/2	5	5 1/2	6	6 1/2	7	7 1/2	8	8 1/2	9	9 1/2	10	10 1/2	11	11 1/2	12

Number of Bars																						
3	5	7	9	11	13	15	17	19	21	23	25	27	29	31	33	35	37	39	41	43	45	47

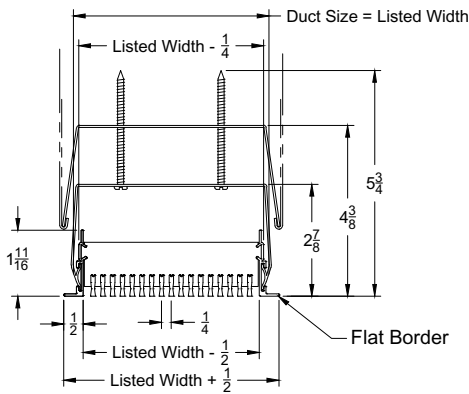
Models: 2400, 2415, 2430 (Wall Mounting - 0° / 15° / 30° Deflection)



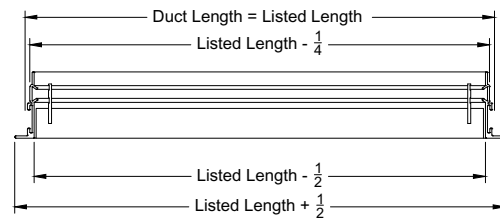
Side View



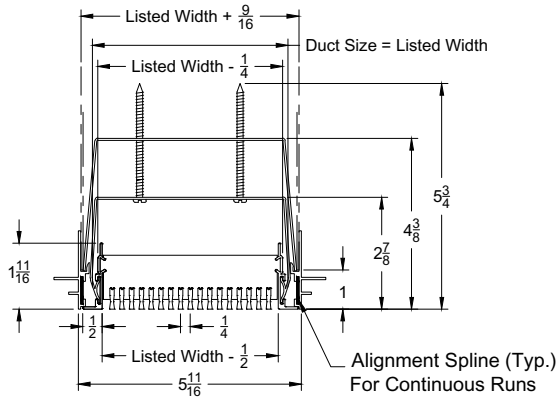
Models: 2400H, 2415H, 2430H (Concealed Mounting Hangers - 0° / 15° / 30° Deflection)



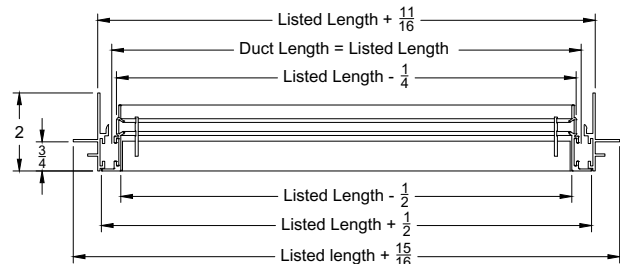
Side View



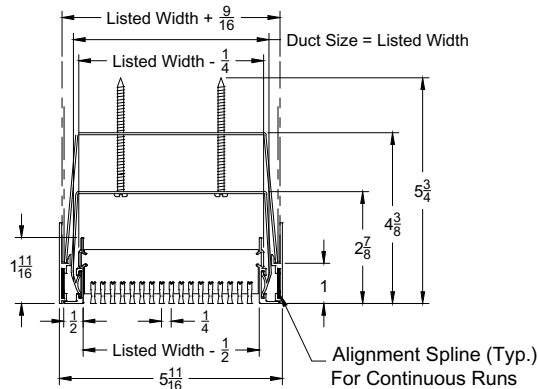
Models: 2400HP, 2415HP, 2430HP (Concealed Spline Mounting Frame - 0° / 15° / 30° Deflection)



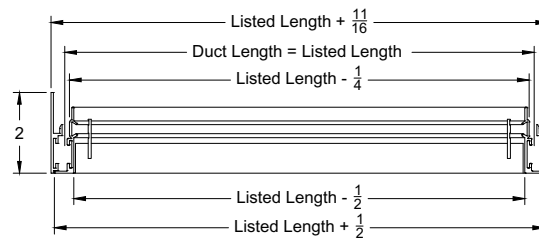
Side View



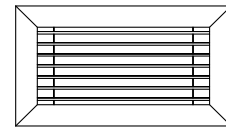
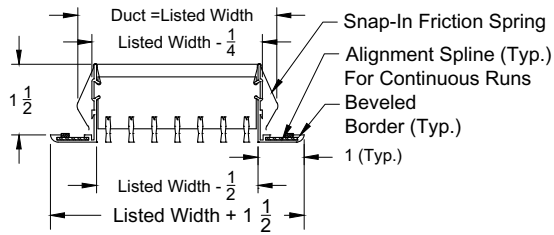
Models: 2400 HW, 2415 HW, 2430 HW (Narrow Mounting Frame - 0° / 15° / 30° Deflection)



Side View

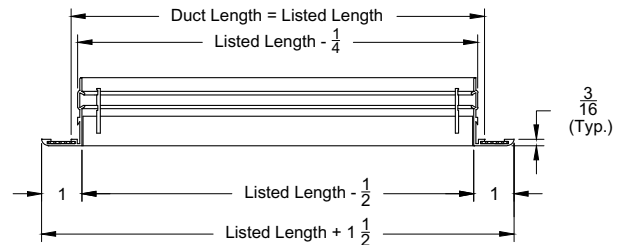


Is: 2500, 2515, 2530 (Wall Mounting - 0° / 15° / 30° Deflection)

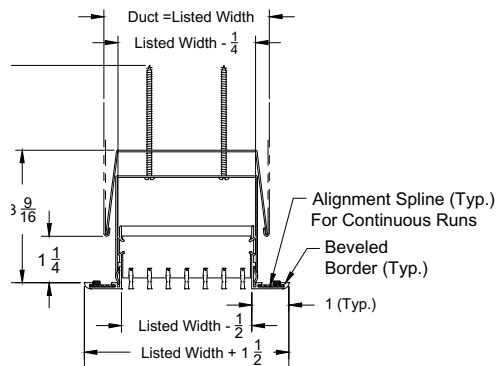


Face View (all models)

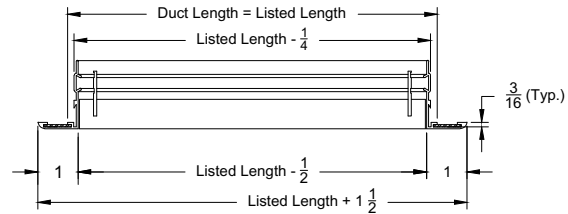
Side View



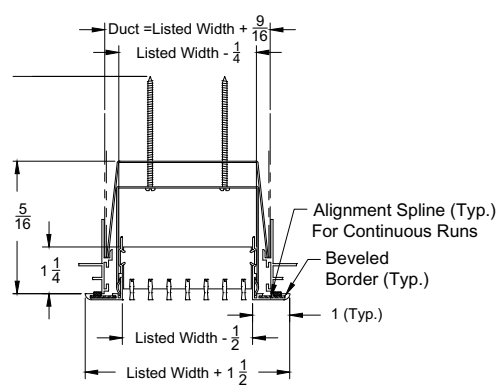
Is: 2500H, 2515H, 2530H (Concealed Mounting Hangers - 0° / 15° / 30° Deflection)



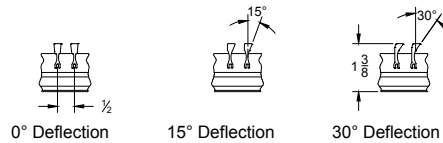
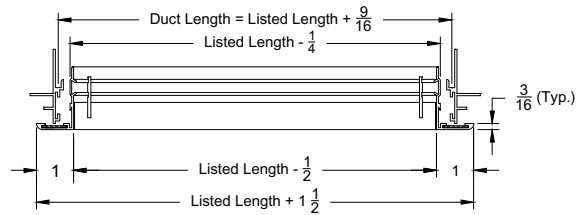
Side View



Is: 2500HP, 2515HP, 2530HP (Concealed Spline Mounting Frame With Hangers - 0° / 15° / 30° Deflection)



Side View



Cores = 1/8" Bars on 1/2" Centers

SERIES 2000 SPECIFICATIONS

LINEAR BAR GRILLE — ALUMINUM — MODELS 2000/2100/2200F/2300/2400/2500

- Air outlets shall be 2000 series extruded aluminum linear bar grilles manufactured by METALAIRE. The units shall be constructed from heavy walled extruded aluminum. The units shall be the size and quantity as outlined in the plans and specifications.
- Units specifically designed for sidewall or ceiling applications (Models 2000/2100/2300/2400/2500) shall have deflection bars of 0°, 15° or 30° as detailed. Face bars shall be 1/8" or 7/32" wide on 1/4" or 1/2" centers and shall be permanently fixed in position. Borders shall be 1" or 1/2" wide. Auxiliary sub-frames shall be furnished as required to fit the wall or ceiling system. The units shall be furnished with positive holding concealed mounting systems as required. Units shall be furnished in one piece up to 72" in length. Continuous sections shall butt together with hairline joints and be provided with interlocking alignment splines. Borders shall be mechanically fastened to provide a mitered corner.
- Units specifically designed for floor applications (Models 2000F/2200F/2300F) shall have deflection bars of 0°, 15° or 30° as detailed. . Face bars shall be 1/8" on 1/4" centers or 7/32" on 1/2" centers. Borders shall be 3/16" or 1" wide as specified. Cores shall be removable and shall be held in place by retaining clips. The units shall be specially reinforced for floor or sill installation with 1/8" by 11/16" support brackets. Units shall be furnished in one piece up to 72" in length. Continuous sections shall butt together with hairline joints and be provided with interlocking alignment splines (Model 2200F not available for continuous runs). Borders shall be mechanically fastened to provide a mitered corner.
- Units specifically designed for pencil proof applications (Models 2000FP/2200FP) shall have deflection bars of 0°, 15° or 30° as detailed. Face bars shall be 17/64" wide on 1/2" centers. Borders shall be 3/16" or 1" wide as specified. Cores shall be removable and shall be held in place by retaining clips. The units shall be specially reinforced for floor or sill installation with 1/8" by 11/16" support brackets. Units shall be furnished in one piece up to 72" in length. Continuous sections shall butt together with hairline joints and be provided with interlocking alignment splines (Model 2200F not available for continuous runs). Borders shall be mechanically fastened to provide a mitered corner.

Performance Specification

The manufacturer shall provide published performance data. Data shall be tested in accordance to ANSI/ASHRAE Standard 70-2006.

Paint Specification

Process shall be anodic electro-deposition using an anodic acrylic paint. Units shall undergo pre-treatment including a pressurized spray stage using an alkaline cleaner and a de-ionized water rinse.

MODEL 2000 NUMBER SPECIFICATION

MODEL 2000 (1 BORDER - 7/32 BARS - 1/2 CENTERS)

Model	Mounting	Length	Width	End Detail		Available Finishes	
2000	Standard	6 - 72 (One Piece)	1 1/2 - 24 (1/2 Increments)	1EB	One End Border	01	White
2015	H - Concealed Mtg W/ Hanger			2EB	Two End Borders	02	Satin Silver
2030	HP - Spline Subframe / Concealed Mtg			00	Open Ends	03	Black
	F - Floor Mtg					04	Clear Anodized
	FP - Floor Mtg / Pencil Proof					24	Mill
						28	Custom Color

Available Accessories	
DA	
L9	Equalizing Grid

Available Options	
FSM	
Access Door	
(Access Door not available on floor units)	

MODEL 2000 CORE ONLY

Model	Length	Width	Available Finishes	
2000CO	6 - 72 (One Piece)	1 1/2 - 24 (1/2 Increments)	01	White
2015CO			02	Satin Silver
2030CO			03	Black
			04	Clear Anodized
			24	Mill
			28	Custom Color

MODEL 2000 NUMBER SPECIFICATION

MODEL 2000 (1 BORDER - 7/32 BARS - 1/2 CENTERS)

Model	Mounting	Width	Miter Style		Available Finishes	
2000	MC - Standard Miter Corner	1 1/2 - 24 (1/2 Increments)	90	Horizontal 90 Degree	01	White
2015	HMC - Concealed Mtg W/ Hanger Miter Corner		SPEC	Special Miter	02	Satin Silver
2030	HPMC - Spline Subframe / Concealed Mtg Miter Corner		VI	Vertical Inside	03	Black
	FMC - Floor Mtg Miter Corner		V2	Vertical Outside	04	Clear Anodized
	FPMC - Floor Mtg / Pencil Proof Miter Corner				24	Mill
					28	Custom Color

MODEL 2100 NUMBER SPECIFICATION

MODEL 2100 (1/2 BORDER - 7/32 BARS - 1/2 CENTERS)

Model	Mounting	Length	Width	End Detail		Available Finishes	
2100	Standard	6 - 72 (One Piece)	1 1/2 - 24 (1/2 Increments)	1EB	One End Border	01	White
2115	H - Concealed Mtg W/ Hanger			2EB	Two End Borders	02	Satin Silver
2130	HP - Spline Subframe / Concealed Mtg			00	Open Ends	03	Black
	HW - Narrow Subframe / Concealed Mtg	04	Clear Anodized				
	HC - Combo Subframe / Concealed Mtg	24	Mill				
		28	Custom Color				

Available Accessories	
DA	
L9	Equalizing Grid

Available Options	
Access Door	
(Access Door not available on floor units)	

MODEL 2100 NUMBER SPECIFICATION

MODEL 2100 MITER CORNER

Model	Mounting	Width	Miter Style		Air Flow	
2100	MC - Standard Miter Corner	1 1/2 - 24 (1/2 Increments)	90	Horizontal 90 Degree	00	0 Degree Deflection
2115	HMC - Concealed Mtg W/ Hanger Miter Corner		SPEC	Special Miter	IN	Air Flow In
2130	HPMC - Spline Subframe / Concealed Mtg Miter Corner		VI	Vertical Inside	OT	Air Flow Out
	HWMC - Narrow Subframe / Concealed Mtg Miter Corner	V2	Vertical Outside			
	HCMC - Combo Subframe / Concealed Mtg Miter Corner					

Available Finishes	
01	White
02	Satin Silver
03	Black
04	Clear Anodized
24	Mill
28	Custom Color

MODEL 2200 NUMBER SPECIFICATION

MODEL 2200 (3/16 BORDER - 7/32 BARS - 1/2 CENTERS)

Model	Mounting	Length	Width	Finish		Accessories	
2200	F - Floor Mtg	6 - 72	1 1/2 - 8	01	White	L9	Equalizing Grid
2215	FP - Floor Mtg W/Miter	(One Piece)	(1/2 Increments)	02	Satin Silver		
2230				03	Black		
				04	Clear Anodized		
				24	Mill		
				28	Custom Color		

MODEL 2200 NUMBER SPECIFICATION

MODEL 2200 MITER CORNER

Model	Mounting	Width	Miter Style		Air Flow		Available Finishes	
2200	FMC - Floor Mtg Miter Corner	1 1/2 - 8	90	Horizontal 90 Degree	00	0 Degree Deflection	01	White
2215	FPM - Floor Mtg/Pencil Proof Miter Corner	(1/2 Increments)	SPEC	Special Miter	IN	Air Flow In	02	Satin Silver
2230					OT	Air Flow Out	03	Black
							04	Clear Anodized
							24	Mill
							28	Custom Color

MODEL 2300 NUMBER SPECIFICATION

MODEL 2300 (1 BORDER - 1/8 BARS - 1/4 CENTERS)

Model	Mounting	Length	Width	End Detail		Available Finishes	
2300	Standard	6 - 72 (One Piece)	1 1/2 - 12 (1/2 Increments)	1EB	One End Border	01	White
2315	H - Concealed Mtg W/ Hanger			2EB	Two End Borders	02	Satin Silver
2330	HP - Spline Subframe / Concealed Mtg			00	Open Ends	03	Black
				04	Clear Anodized		
	F - Floor Mtg			24	Mill		
				28	Custom Color		

Available Accessories	
DA	
L9	Equalizing Grid

Available Options	
FSM	
Access Door	
(Access Door not available on floor units)	

MODEL 2300 CORE ONLY

Model	Length	Width	Available Finishes	
2300CO	6 - 72 (One Piece)	1 1/2 - 12 (1/2 Increments)	01	White
2315CO			02	Satin Silver
2330CO			03	Black
			04	Clear Anodized
			24	Mill
			28	Custom Color

MODEL 2300 MITER CORNER

Model	Mounting	Width	Miter Style		Air Flow	
2300	MC - Standard Miter Corner	1 1/2 - 12 (1/2 Increments)	90	Horizontal 90 Degree	00	0 Degree Deflection
2315	HMC - Concealed Mtg W/ Hanger Miter Corner		SPEC	Special Miter	IN	Air Flow In
2330	HPMC - Spline Subframe / Concealed Mtg Miter Corner		VI	Vertical Inside	OT	Air Flow Out
		V2	Vertical Outside			
	FMC - Floor Mtg Miter Corner					
	FPMC - Floor Mtg / Pencil Proof Miter Corner					

Available Finishes	
01	White
02	Satin Silver
03	Black
04	Clear Anodized
24	Mill
28	Custom Color

MODEL 2400 NUMBER SPECIFICATION

MODEL 2400 (1/2 BORDER - 7/32 BARS - 1/2 CENTERS)

Model	Mounting	Length	Width	End Detail		Available Finishes	
2400	Standard	6 - 72 (One Piece)	1 1/2 - 12 (1/2 Increments)	1EB	One End Border	01	White
2415	H - Concealed Mtg W/ Hanger			2EB	Two End Borders	02	Satin Silver
2430	HP - Spline Subframe / Concealed Mtg			00	Open Ends	03	Black
	HW - Narrow Subframe / Concealed Mtg	04	Clear Anodized				
	HC - Combo Subframe / Concealed Mtg	24	Mill				
		28	Custom Color				

Available Accessories	
DA	
L9	Equalizing Grid

Available Options	
FSM	
Access Door	
(Access Door not available on floor units)	

MODEL 2400 MITER CORNER

Model	Mounting	Width	Miter Style		Air Flow	
2400	MC - Standard Miter Corner	1 1/2 - 12 (1/2 Increments)	90	Horizontal 90 Degree	00	0 Degree Deflection
2415	HMC - Concealed Mtg W/ Hanger Miter Corner		SPEC	Special Miter	IN	Air Flow In
2430	HPMC - Spline Subframe / Concealed Mtg Miter Corner		VI	Vertical Inside	OT	Air Flow Out
	HWMC - Narrow Subframe / Concealed Mtg Miter Corner		V2	Vertical Outside		
	HCMC - Combo Subframe / Concealed Mtg Miter Corner					

Available Finishes	
01	White
02	Satin Silver
03	Black
04	Clear Anodized
24	Mill
28	Custom Color

MODEL 2500 NUMBER SPECIFICATION

MODEL 2500 (1 BORDER - 7/32 BARS - 1/2 CENTERS)

Model	Mounting	Length	Width	End Detail		Available Finishes	
2500	Standard	6 - 72 (One Piece)	1 1/2 - 24 (1/2 Increments)	1EB	One End Border	01	White
2515	H - Concealed Mtg W/ Hanger			2EB	Two End Borders	02	Satin Silver
2530	HP - Spline Subframe / Concealed Mtg			00	Open Ends	03	Black
						04	Clear Anodized
						24	Mill
						28	Custom Color

Available Accessories	
DA	
L9	Equalizing Grid

Available Options	
FSM	
Access Door	
(Access Door not available on floor units)	

MODEL 2500 MITER CORNER

Model	Mounting	Width	Miter Style		Air Flow	
2500	MC - Standard Miter Corner	1 1/2 - 24 (1/2 Increments)	90	Horizontal 90 Degree	00	0 Degree Deflection
2515	HMC - Concealed Mtg W/ Hanger Miter Corner		SPEC	Special Miter	IN	Air Flow In
2530	HPMC - Spline Subframe / Concealed Mtg Miter Corner		VI	Vertical Inside	OT	Air Flow Out
			V2	Vertical Outside		

Available Finishes	
01	White
02	Satin Silver
03	Black
04	Clear Anodized
24	Mill
28	Custom Color

SERIES 2000 PERFORMANCE DATA

MODEL 2000, 2100, 2200 (0° AND 15° DEFLECTION)

Listed Width (in inches)	Outlet Velocity (V _k)	500	700	900	1000	1100	1200	1300
	Total Pressure (Pt)	.016	.031	.051	.062	.076	.090	.105
	Static Pressure (Ps)	.012	.024	.040	.050	.060	.072	.084
	NC	-	15	20	23	26	29	31
1 1/2 .062	Flow CFM / FT	31	43	56	62	68	74	81
	Throw Sill or Floor	6-9	9-13	10-14	11-16	13-18	13-19	14-20
	Throw Side Wall	8-11	11-16	13-18	14-20	15-22	17-24	17-25
2 .086	Flow CFM / FT	43	60	77	86	95	103	112
	Throw Sill or Floor	5-8	8-12	10-14	11-16	13-18	13-19	14-20
	Throw Side Wall	7-10	10-15	13-18	14-20	15-22	17-24	17-25
2 1/2 .110	Flow CFM / FT	55	77	99	110	121	132	143
	Throw Sill or Floor	6-9	9-13	11-16	13-18	13-19	15-21	15-22
	Throw Side Wall	8-11	11-16	14-20	16-23	17-24	18-26	20-28
3 .130	Flow CFM / FT	65	91	117	130	143	156	169
	Throw Sill or Floor	7-10	10-15	13-18	15-21	15-22	17-24	18-26
	Throw Side Wall	8-12	13-18	15-22	17-25	18-26	20-28	21-30
3 1/2 .152	Flow CFM / FT	76	106	137	152	167	182	198
	Throw Sill or Floor	7-10	10-15	13-18	15-21	15-22	17-24	18-26
	Throw Side Wall	9-13	13-18	16-23	18-26	20-26	21-30	21-30
4 .176	Flow CFM / FT	88	123	158	176	194	211	229
	Throw Sill or Floor	8-11	12-16	14-20	16-23	18-26	19-27	20-29
	Throw Side Wall	10-14	15-22	17-25	20-29	22-32	24-34	25-36
5 .220	Flow CFM / FT	110	154	198	220	242	264	286
	Throw Sill or Floor	8-12	13-18	15-21	17-24	18-26	19-27	21-30
	Throw Side Wall	10-15	15-22	19-27	22-31	23-33	24-35	27-38
6 .265	Flow CFM / FT	133	186	239	265	292	318	345
	Throw Sill or Floor	8-12	13-18	15-22	17-25	18-26	20-28	21-30
	Throw Side Wall	10-15	15-22	19-27	22-31	23-33	24-35	27-38
8 .356	Flow CFM / FT	178	249	320	356	392		
	Throw Sill or Floor	10-14	13-19	15-22	18-26	19-27		
	Throw Side Wall	12-17	17-24	20-28	23-33	24-34		
10 .446	Flow CFM / FT	223	312	401	446			
	Throw Sill or Floor	10-15	15-22	18-26	21-30			
	Throw Side Wall	13-19	20-28	23-33	26-37			
12 .536	Flow CFM / FT	268	375	482				
	Throw Sill or Floor	12-17	22-31	21-33				
	Throw Side Wall	15-21	24-35	27-38				

SERIES 2000 PERFORMANCE DATA MODEL 2000, 2100, 2200 (30° DEFLECTION)

Listed Width (in inches)	Outlet Velocity (V _k)	500	700	900	1000	1100	1200	1300
	Total Pressure (Pt)	.020	.040	.067	.081	.100	.119	.139
	Static Pressure (Ps)	.017	.034	.056	.070	.084	.100	.118
	NC	15	20	25	28	31	34	36
1 1/2 .062	Flow CFM / FT	35	49	64	71	78	84	92
	Throw Sill or Floor	5-8	8-12	10-14	11-16	13-18	13-19	14-20
	Throw Side Wall	7-9	10-14	12-16	14-20	15-22	17-24	17-25
2 .086	Flow CFM / FT	49	68	88	98	108	118	128
	Throw Sill or Floor	6-9	9-13	10-14	11-16	13-18	13-19	14-20
	Throw Side Wall	8-10	10-15	13-18	15-21	16-23	17-27	18-26
2 1/2 .110	Flow CFM / FT	63	88	113	126	138	151	163
	Throw Sill or Floor	6-9	9-13	11-16	13-18	13-19	15-21	15-22
	Throw Side Wall	8-11	11-16	14-60	16-23	17-24	18-26	20-28
3 .130	Flow CFM / FT	74	104	133	148	163	178	193
	Throw Sill or Floor	7-10	10-14	13-18	15-21	15-22	17-24	18-26
	Throw Side Wall	8-12	13-18	15-22	17-25	18-26	20-28	21-30
3 1/2 .152	Flow CFM / FT	87	121	156	173	191	208	226
	Throw Sill or Floor	7-10	10-15	13-18	14-20	15-21	15-22	17-24
	Throw Side Wall	8-12	13-19	16-23	18-26	20-28	21-30	22-32
4 .176	Flow CFM / FT	100	140	180	201	221	241	261
	Throw Sill or Floor	8-11	13-18	15-21	17-24	18-26	19-27	21-30
	Throw Side Wall	10-14	15-22	17-25	20-29	22-32	24-34	25-36
5 .220	Flow CFM / FT	126	176	226	251	276	301	326
	Throw Sill or Floor	8-12	13-18	15-22	17-25	18-26	20-28	21-30
	Throw Side Wall	10-15	15-22	19-27	22-31	23-33	24-35	27-38
6 .265	Flow CFM / FT	151	212	272	302	333	363	393
	Throw Sill or Floor	9-13	13-18	15-22	17-25	18-26	20-28	21-30
	Throw Side Wall	10-15	15-22	19-27	22-31	23-33	24-35	27-38
8 .356	Flow CFM / FT	203	284	366	406	447		
	Throw Sill or Floor	10-14	13-19	15-22	18-26	19-27		
	Throw Side Wall	12-17	17-24	20-28	23-33	24-34		
10 .446	Flow CFM / FT	254	356	458	509			
	Throw Sill or Floor	10-15	15-22	18-26	21-30			
	Throw Side Wall	13-19	20-28	23-33	26-37			
12 .536	Flow CFM / FT	306	428	550				
	Throw Sill or Floor	12-17	22-31	21-30				
	Throw Side Wall	15-21	24-35	27-38				

PERFORMANCE NOTES FOR SERIES 2000

All data is tested in accordance with ANSI/ASHRAE 70-2006.

DEFINITION OF UNITS

CFM Cubic Feet per Minute (air)

VK Outlet Velocity

Pt Total pressure (inches of water column)

Ps Static pressure = $P_t - P_v$ (inches of water column)

NC Noise criterion, sound pressure level NC ratings are based on sound power level (Lw) re: 10^{-12} watts minus a 10dB room attenuation in all octave bands

Throw Total distance (in feet) covered by an airstream before its maximum velocity falls to a preselected terminal level (Vt) of 150fpm and 50fpm respectively.

SERIES 2300 PERFORMANCE DATA

MODEL 2300, 2400 (0° AND 15° DEFLECTION)

Listed Width (in inches) and effective Free Area	Outlet Velocity (V _k)	500	700	900	1000	1100	1200	1300
	Total Pressure (Pt)	.020	.038	.062	.076	.091	.110	.128
	Static Pressure (Ps)	.015	.029	.049	.061	.073	.088	.102
	NC	15	18	24	28	31	35	37
1.5 .062	Flow CFM / FT	31	44	56	63	69	75	81
	Throw Sill or Floor	7-11	11-16	12-17	13-19	16-22	16-23	17-24
	Throw Side Wall	10-13	13-19	16-22	17-24	18-26	20-29	20-30
2 .086	Flow CFM / FT	43	60	77	85	94	102	111
	Throw Sill or Floor	6-10	10-14	12-17	13-19	16-22	16-23	17-24
	Throw Side Wall	8-12	12-18	16-22	17-24	18-26	20-29	20-30
2.5 .110	Flow CFM / FT	55	77	99	110	121	132	143
	Throw Sill or Floor	7-11	11-16	13-19	16-22	16-23	18-25	18-26
	Throw Side Wall	10-13	13-19	17-24	19-28	20-29	22-31	24-34
3 .130	Flow CFM / FT	65	91	117	130	143	156	169
	Throw Sill or Floor	8-12	12-17	16-22	17-24	18-25	18-26	20-29
	Throw Side Wall	10-14	16-22	18-26	20-30	22-31	24-34	25-36
3.5 .152	Flow CFM / FT	76	107	137	153	168	183	198
	Throw Sill or Floor	8-12	12-18	16-22	18-25	18-26	20-29	22-31
	Throw Side Wall	10-14	16-22	18-26	20-30	22-31	24-34	25-36
4 .176	Flow CFM / FT	88	123	158	176	193	210	228
	Throw Sill or Floor	10-13	16-22	17-24	1-29	22-31	23-32	24-35
	Throw Side Wall	12-18	18-26	20-30	24-35	26-38	29-41	30-43
5 .220	Flow CFM / FT	110	154	198	220	242	264	286
	Throw Sill or Floor	10-14	16-22	18-25	20-29	22-30	23-32	25-36
	Throw Side Wall	12-18	18-26	22-31	25-36	26-38	29-41	31-44
6 .265	Flow CFM / FT	133	186	239	265	292	318	345
	Throw Sill or Floor	10-14	16-22	18-26	20-30	22-32	24-34	25-36
	Throw Side Wall	12-18	18-26	23-32	26-37	28-40	30-43	32-46
8 .356	Flow CFM / FT	178	249	320	356	391		
	Throw Sill or Floor	12-17	16-23	18-26	22-31	23-33		
	Throw Side Wall	14-20	20-29	24-34	28-40	29-43		
10 .446	Flow CFM / FT	223	312	401	445			
	Throw Sill or Floor	12-18	18-26	22-31	25-36			
	Throw Side Wall	16-23	24-34	28-40	31-44			
12 .536	Flow CFM / FT	268	375	482				
	Throw Sill or Floor	14-20	26-37	25-36				
	Throw Side Wall	18-20	29-42	32-46				

SERIES 2300 PERFORMANCE DATA MODEL 2300, 2400 (30° DEFLECTION)

Listed Width (in inches)	Outlet Velocity (V _k)	500	700	900	1000	1100	1200	1300
	Total Pressure (Pt)	.016	.031	.051	.062	.076	.090	.105
	Static Pressure (Ps)	.012	.024	.040	.050	.061	.072	.084
	NC	0	20	23	26	29	31	36
1.5 .062	Flow CFM / FT	36	50	65	71	79	86	94
	Throw Sill or Floor	7-11	11-16	12-17	13-19	16-22	16-23	17-24
	Throw Side Wall	10-13	13-19	16-22	17-24	18-26	20-29	20-30
2 .086	Flow CFM / FT	48	68	88	97	108	117	127
	Throw Sill or Floor	6-10	10-14	12-17	13-19	16-22	16-23	17-24
	Throw Side Wall	8-12	12-18	16-22	17-24	18-26	20-29	20-30
2.5 .110	Flow CFM / FT	63	88	114	125	139	152	164
	Throw Sill or Floor	7-11	11-16	13-19	16-22	16-23	18-25	18-26
	Throw Side Wall	10-13	13-19	17-24	19-28	20-29	22-31	24-34
3 .130	Flow CFM / FT	74	105	135	148	164	179	194
	Throw Sill or Floor	8-12	12-17	16-22	17-24	18-25	18-26	20-29
	Throw Side Wall	10-14	16-22	18-26	20-30	22-31	24-34	25-36
3.5 .152	Flow CFM / FT	87	123	156	174	193	211	228
	Throw Sill or Floor	8-12	12-18	16-22	18-25	18-26	20-29	22-31
	Throw Side Wall	10-14	16-23	19-28	22-31	24-34	25-36	26-38
4 .176	Flow CFM / FT	100	141	181	200	221	242	262
	Throw Sill or Floor	10-13	16-22	17-24	19-28	22-31	23-32	24-35
	Throw Side Wall	12-17	18-26	20-30	24-35	26-38	29-41	30-43
5 .220	Flow CFM / FT	125	177	228	251	278	304	329
	Throw Sill or Floor	10-14	16-22	18-25	20-29	22-31	23-32	25-36
	Throw Side Wall	12-17	18-26	22-31	25-36	26-38	29-41	31-44
6 .265	Flow CFM / FT	157	213	274	302	335	366	396
	Throw Sill or Floor	10-14	16-22	18-26	20-30	22-31	24-34	25-36
	Throw Side Wall	12-18	18-26	23-32	26-37	28-40	30-43	32-46
8 .356	Flow CFM / FT	202	286	367	405	449		
	Throw Sill or Floor	12-17	16-23	18-26	22-31	23-33		
	Throw Side Wall	14-20	20-29	23-32	28-40	29-43		
10 .446	Flow CFM / FT	254	358	461	507			
	Throw Sill or Floor	12-18	18-26	22-31	25-36			
	Throw Side Wall	16-23	20-29	28-40	31-44			
12 .536	Flow CFM / FT	305	431	554				
	Throw Sill or Floor	14-20	20-28	25-36				
	Throw Side Wall	18-25	29-42	32-46				

PERFORMANCE NOTES FOR SERIES 2300

All data is tested in accordance with ANSI/ASHRAE 70-2006.

DEFINITION OF UNITS

CFM Cubic Feet per Minute (air)

VK Outlet Velocity

Pt Total pressure (inches of water column)

Ps Static pressure = $P_t - P_v$ (inches of water column)

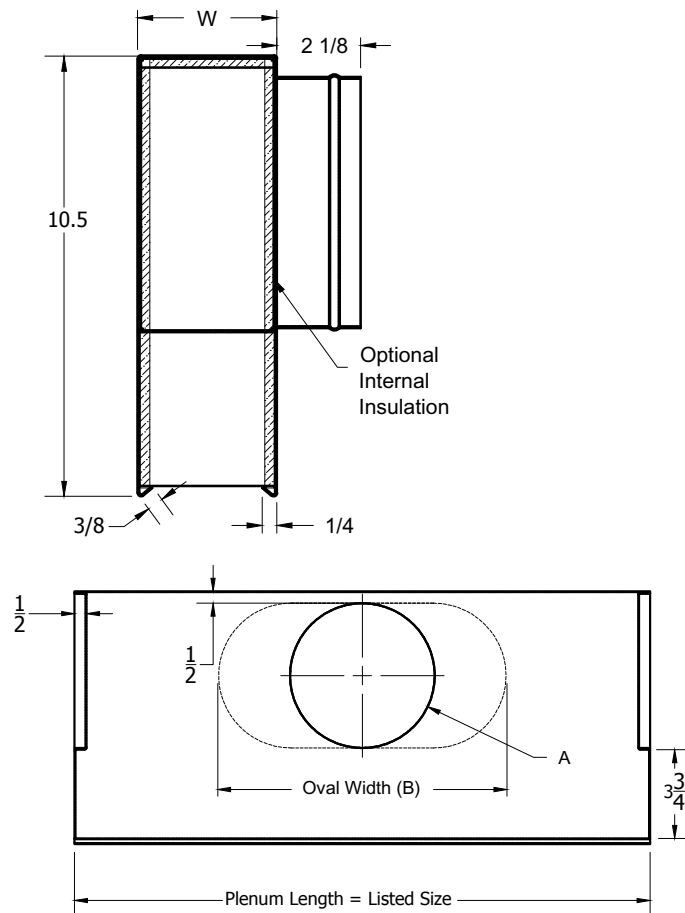
NC Noise criterion, sound pressure level NC ratings are based on sound power level (Lw) re: 10^{-12} watts minus a 10dB room attenuation in all octave bands

Throw Total distance (in feet) covered by an airstream before its maximum velocity falls to a preselected terminal level (Vt) of 150fpm and 50fpm respectively.

MODEL UP-2000

The models UP-2000 (un-insulated) and UPI-2000 (insulated) are designed to connect the 2000 series to the ducted supply or return system. The UP-v2000 is constructed of galvanized steel. The height of the plenum is 10".

- Standard insulation on UPI2000 is 1/2" Fiberglass
- Optional external insulation and internal closed cell foam insulation are also available
- Standard inlet sizes are 6" (round) or 8", 10", 12" and 14" (oval)
- Standard lengths available are 24", 36", 48", 60" and 72"



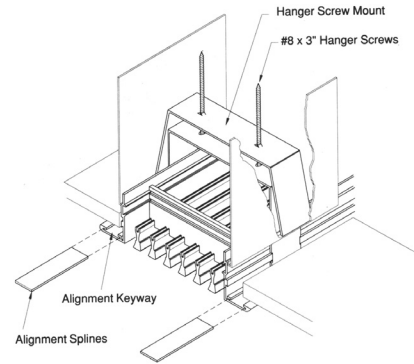
Inlet Chart			
Size	Type	A	B
6	Round	5 7/8	
8	Oval	5 7/8	8 15/16
10	Oval	5 7/8	12 1/16
12	Oval	5 7/8	15 1/4
14	Oval	5 7/8	18 7/16

2000H, 2100H, 2300H, 2400H		2000H, 2100H, 2300H, 2400H	
Linear Bar Grilles Width	DIM W (O.D. Width)	Linear Bar Grilles Width	DIM W (O.D. Width)
1.5	1.875	13	13.375
2	2.375	13.5	13.875
2.5	2.875	14	14.375
3	3.375	14.5	14.875
3.5	3.875	15	15.375
4	4.375	15.5	15.875
4.5	4.875	16	16.375
5	5.375	16.5	16.875
5.5	5.875	17	17.375
6	6.375	17.5	17.875
6.5	6.875	18	18.375
7	7.375	18.5	18.875
7.5	7.875	19	19.375
8	8.375	19.5	19.875
8.5	8.875	20	20.375
9	9.375	20.5	20.875
9.5	9.875	21	21.375
10	10.375	21.5	21.875
10.5	10.875	22	22.375
11	11.375	22.5	22.875
11.5	11.875	23	23.375
12	12.375	23.5	23.875
12.5	12.875	24	24.375

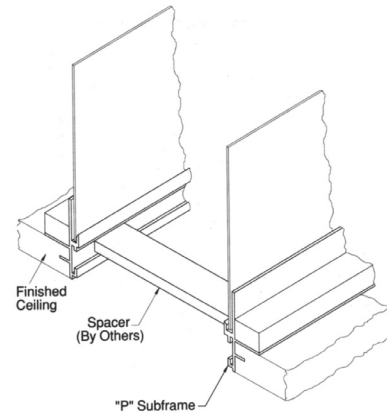
INSTALLATION INFORMATION

The hanger bracket mounting system is also designed to work well with factory supplied subframe material – both “P” and “W” styles. In order to ensure a satisfactory subframe installation, the following procedures should be followed:

- The factory supplied subframe material should be cut to the proper length (i.e., the nominal size of the Grille).
- The neck of the subframe should be attached to the outside of the ductwork with the ends of the duct nestled in the channel of the subframe extrusion.
- Care should be taken that the face of the subframe material is parallel to the finished surface, and, if being used as a plaster ground, the “P” subframe is recessed the proper distance from the designed finish wall.
- The long sides of the subframe must be braced with appropriately sized spacer bars to prevent distortion of the subframe dimensionally, especially during plastering. Note: this bracing must be done prior to plastering.
- The spacer bars should remain in place until the Grille is installed, and, in a long run, should be removed only when each Grille section is ready for installation. Subframe material used on long runs should be aligned section to section by use of the factory supplied alignment splines. In addition to serving as a plaster ground, the “P” style auxiliary subframe is designed to accommodate standard concealed spline ceiling tiles. The “W” style auxiliary subframe is installed in much the same manner as the “P” style subframe, except that it is usually placed in a ceiling directly against a sidewall. Note that Model 2000 Bar Grilles cannot be used with a “W” style subframe next to a wall because the 1" border of the Grille would overlap the subframe.

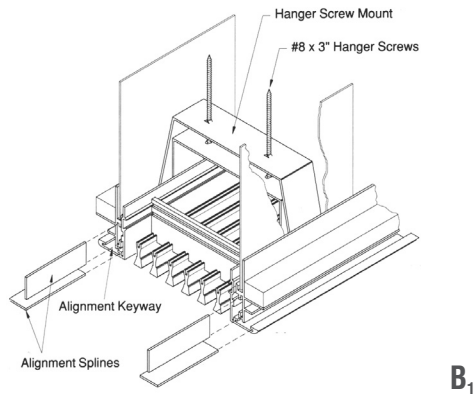


HANGER BRACKET INSTALLATION INTO HEMMED DUCTS

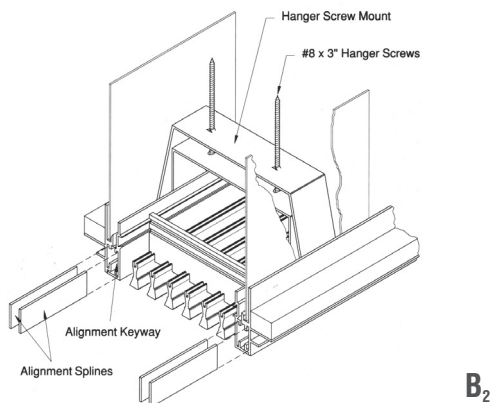


AUXILLARY SUBFRAME PREPARATION "P" AND "W" STYLES

INSTALLATION INFORMATION HANGER BRACKET INSTALLATION INTO AUXILIARY SUBFRAME



Series 2000 and 2300 Linear Bar Grilles and Registers are easily installed into auxiliary subframe material using factory supplied hanger brackets and leveling screws according to the following instructions:

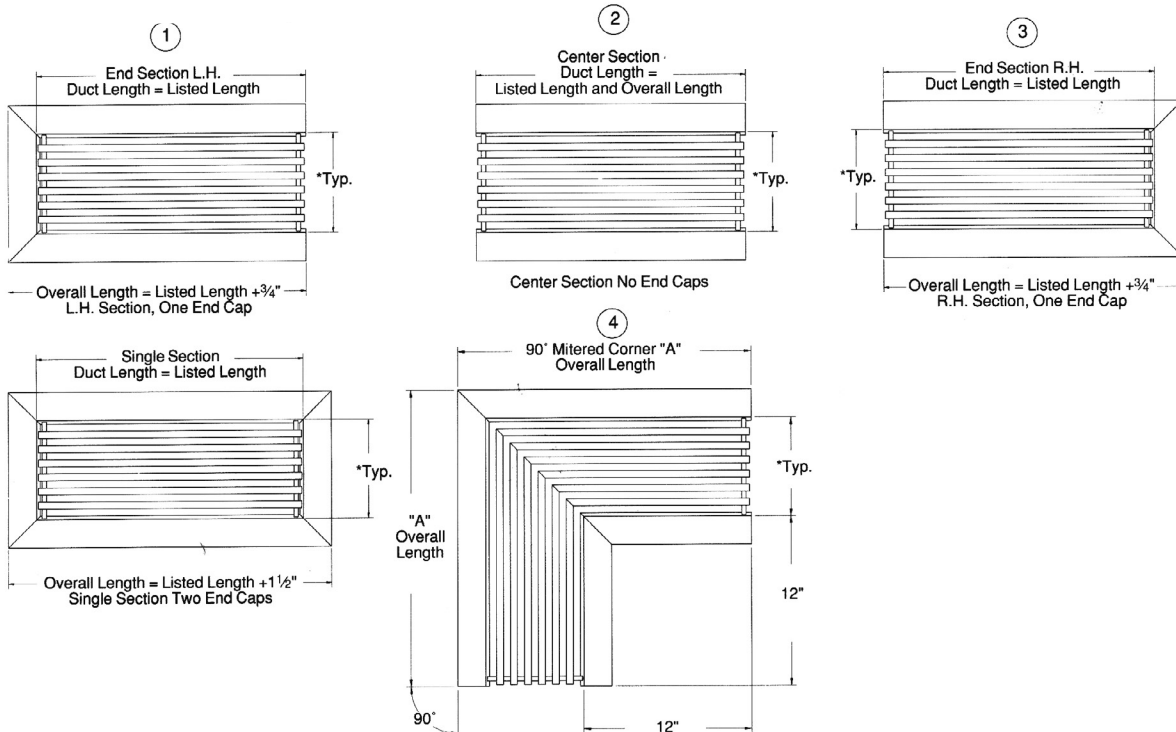
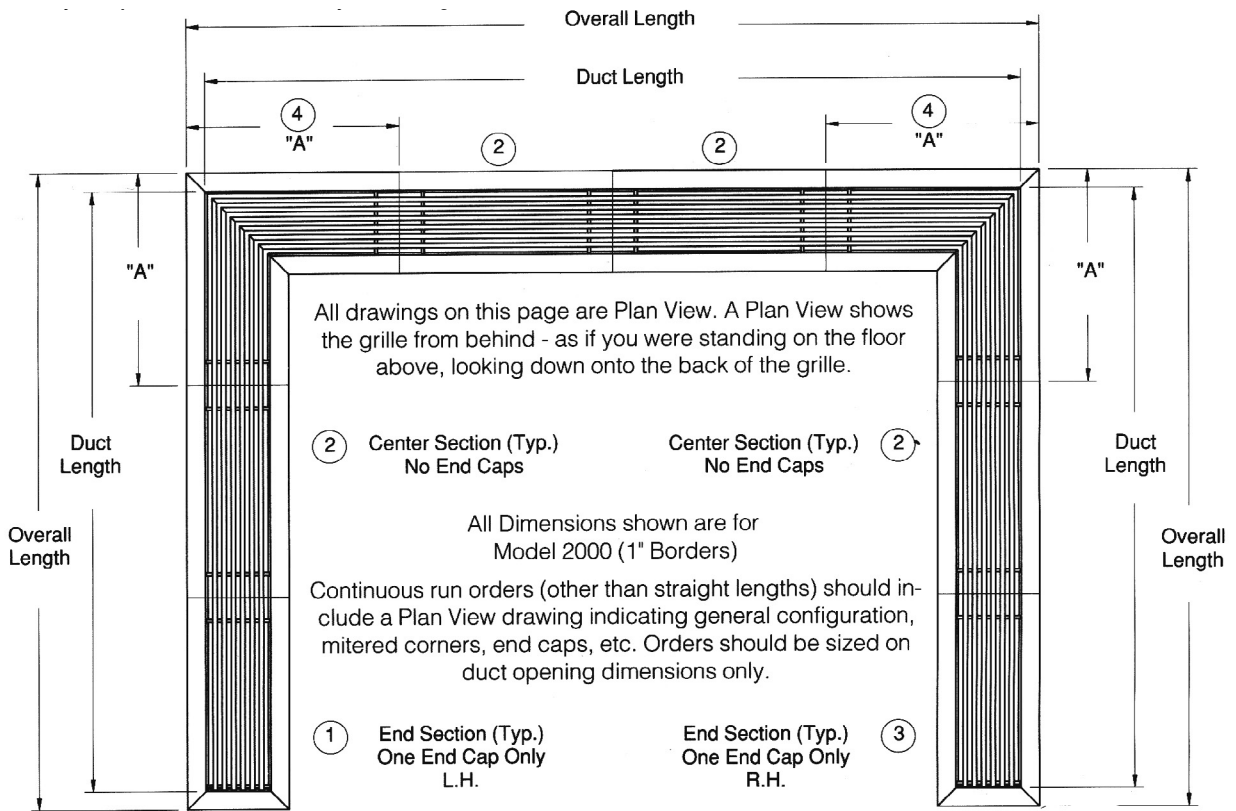


Model 2100 Units – 1/2 inch Borders Model 2100 Bar Grilles and Registers are installed into auxiliary subframes following basically the procedures outlined above. Special care must be taken, however, in the installation of the 2100 unit due to the extremely narrow frame borders of these units. Installation should proceed as follows:

In order to ensure a satisfactory installation, the following procedures should be followed:

- Arrange the appropriate number of hanger brackets and hanger screw mounts (shipped unattached) on the neck of the Grille, positioning the brackets over the hanger screw mounts.
- Insert the supplied #8 X 3" screws through their mounts and into the proper hole in the hanger brackets, locking the Grille and hangers together.
- Position the Grille carefully in the duct opening and press into position, pushing the legs of the hanger brackets past the extruded channel of the auxiliary subframe, allowing them to snap into position (if necessary, press the hanger brackets upward with the screws to seat the brackets properly).
- Tighten the screws to draw the Grille firmly against the ceiling or sidewall, adjusting the tension to accommodate any variation in the mounting surface. In installations where long runs are composed of many separate units, the same procedure should be followed on each Grille section, taking care to use the factory supplied alignment splines to ensure a smooth and unbroken appearance.

DIMENSIONS AND CONTINUOUS RUNS



LOUVER FACE LINEARS

The Series LFL are designed for continuous length applications where the clean lines of a louver face diffuser are desirable.



Model LFL-1W One Way Louver Face Linear Diffuser

- Available in either surface mount (-1 border) or T-bar lay-in (-6 border) options
- Can be used for supply or return applications
- Available in continuous lengths from 18"-1200" and is offered in 6", 9" and 12" widths

PAGE 158

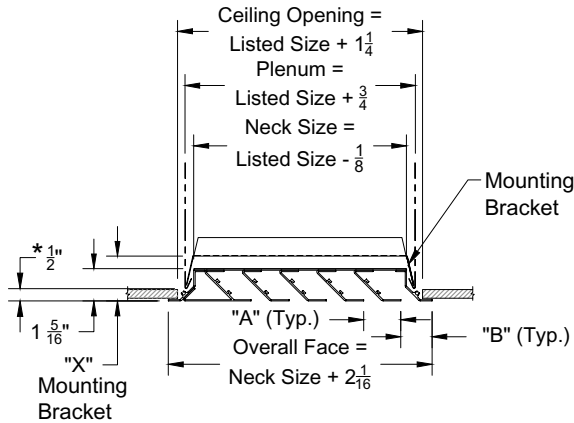
Model LFL-2W Two Way Louver Face Linear Diffuser

- The LFL-2W includes all the same features of the LFL-1W but is provided with a Two Way air pattern.

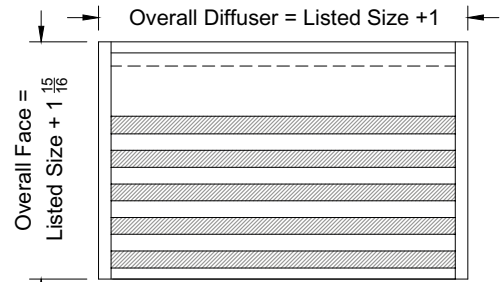
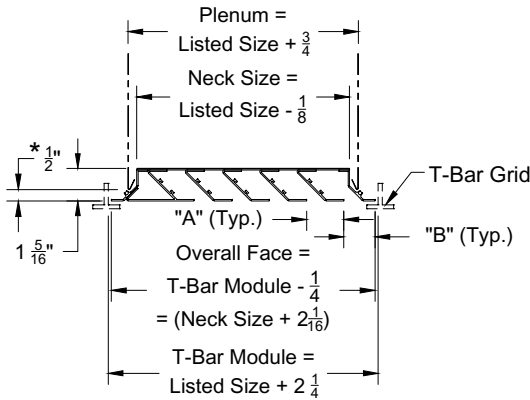
PAGE 160

SUBMITTAL - SERIES LFL - 1-WAY

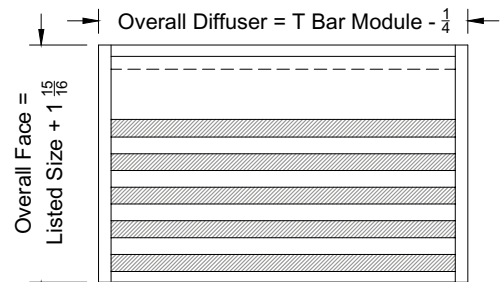
Model: LFL-1W-1, Surface Mount, With 1 Way Air Pattern



Model: LFL-1W-6, Lay In T-Bar Mount, With 1 Way Air Pattern



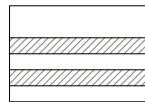
-1: Face - Surface Mount



-6: Face - Lay-In T-Bar

Listed Size (Available Widths)	6	9	12
Neck Size	5 7/8	6 7/8	11 7/8
Overall Face Width	8	11	15
Blade Spacing "A"	1 5/8	1 9/16	1 9/16
End Spacing "B"	1 3/8	1 5/16	1 5/16
"X" Height - W/O - Damper	2	2	2
"X" Height - With - Damper	3 1/2	3 1/2	3 1/2

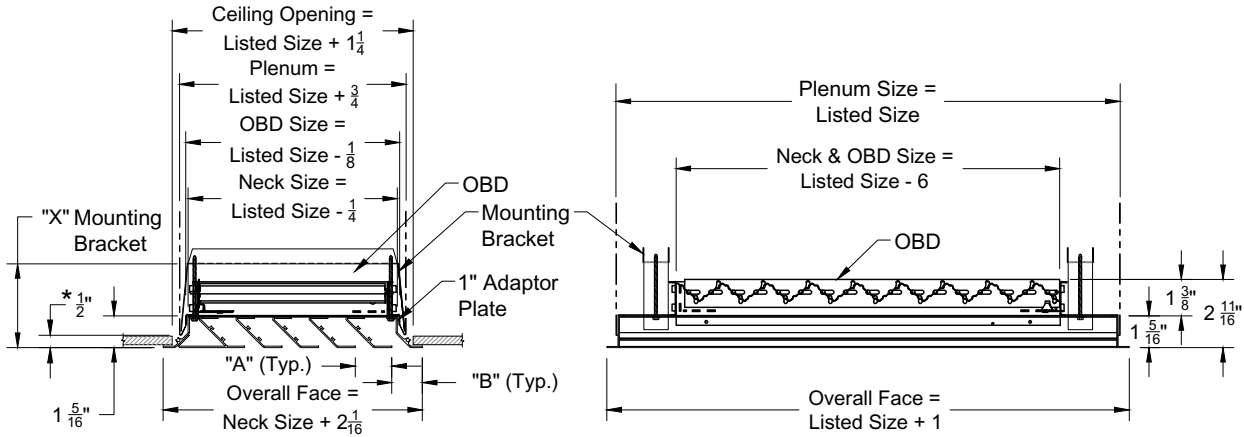
1-Way



*Dimension indicates the distance needed for clearance from the bottom of the duct to the ceiling line and must be maintained for proper fit.

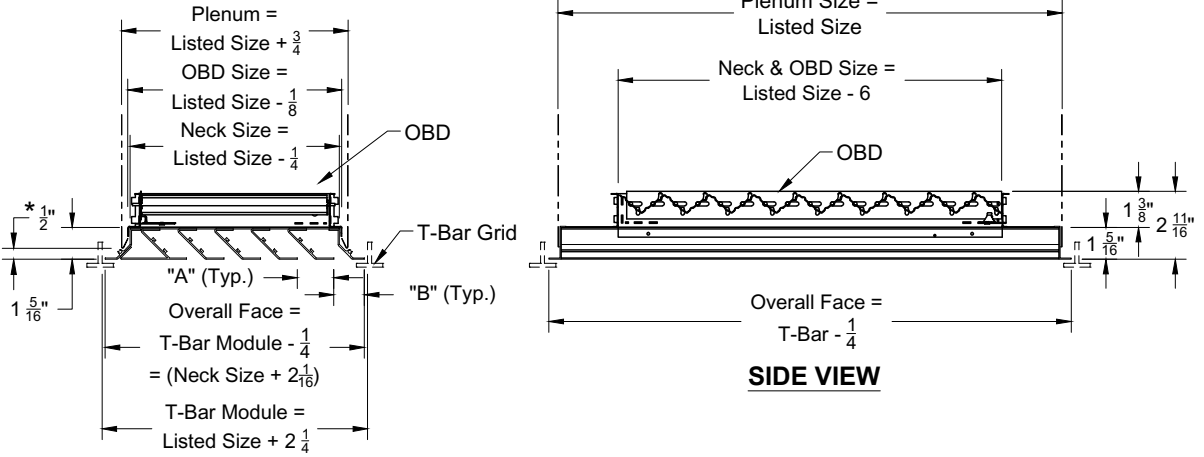
SUBMITTAL - SERIES LFL - 1-WAY

Model: LFL-1W-1, Concealed Mount, With 1 Way Air Pattern & OBD



SIDE VIEW

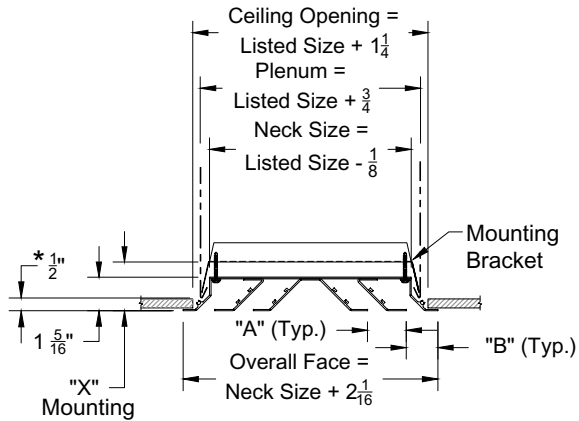
Model: LFL-1W-6, Lay In T-Bar Mount, With 1 Way Air Pattern & OBD



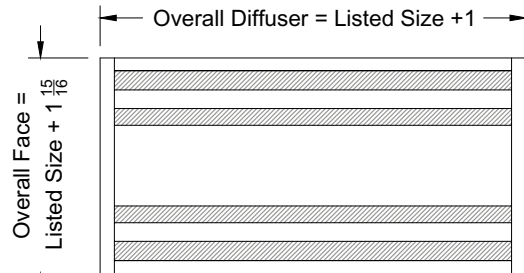
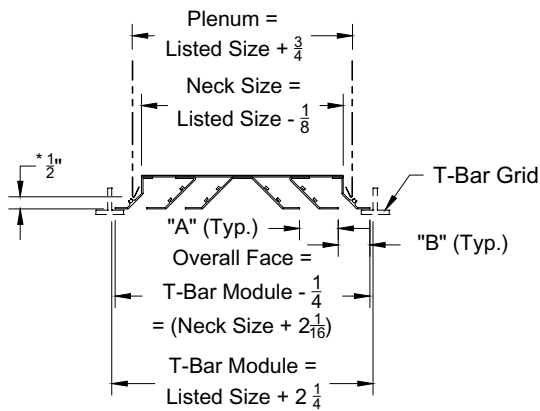
SIDE VIEW

SUBMITTAL - SERIES LFL - 2-WAY

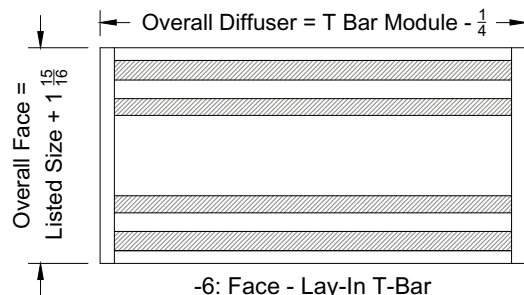
Model: LFL-2W-1, Surface Mount, With 2 way Air Pattern



Model: LFL-2W-6, Lay In T-Bar Mount, With 2 Way Air Pattern



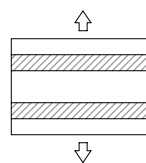
-1: Face - Surface Mount



-6: Face - Lay-In T-Bar

Listed Size (Available Widths)	6	9	12
Neck Size	5 7/8	6 7/8	11 7/8
Overall Face Width	8	11	14
Blade Spacing "A"	-	1 3/4	1 11/16
End Spacing "B"	1 3/4	1 1/2	1 7/16
"X" Height - W/O - Damper	2	2	2
"X" Height - With - Damper	3 1/2	3 1/2	3 1/2

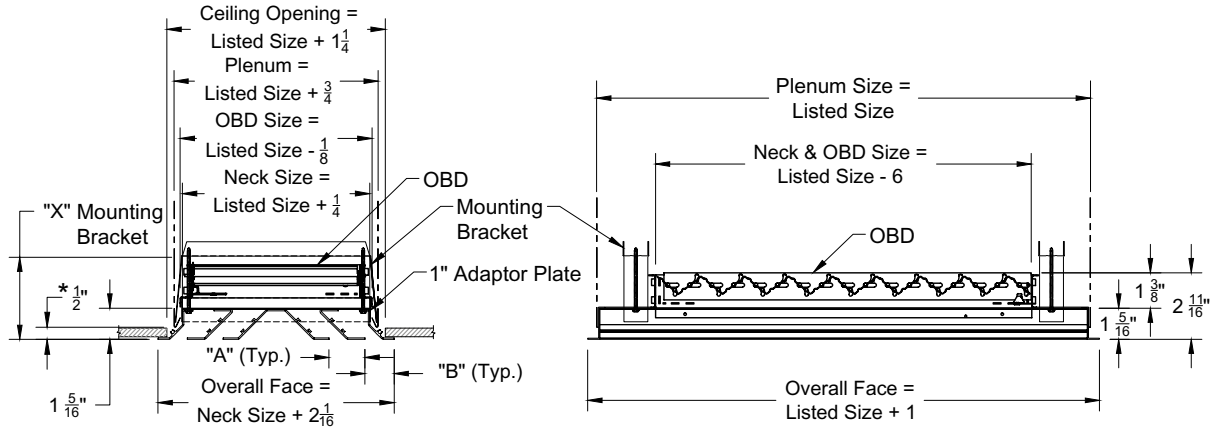
2-Way



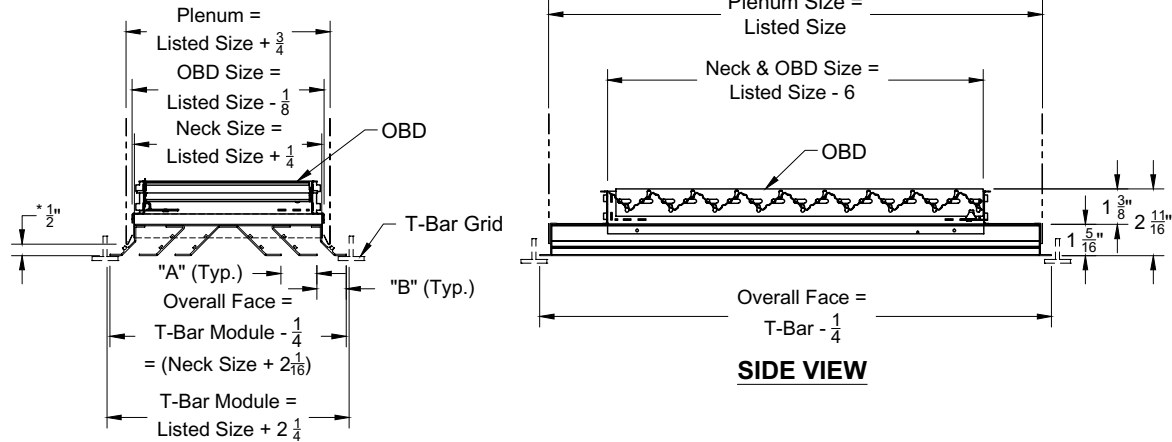
*Dimension indicates the distance needed for clearance from the bottom of the duct to the ceiling line and must be maintained for proper fit.

SUBMITTAL - SERIES LFL - 2-WAY

Model: LFL-2W-1, Concealed Mount, With 2 way Air Pattern



Model: LFL-2W-6, Lay In T-Bar Mount, With 2 Way Air Pattern & OBD



LOUVER FACE LINEAR DIFFUSER PERFORMANCE DATA MODEL SERIES LFL

		Unit Neck Width									
1-Way	6"	CFM/LF	20	40	60	80	100	120	140	160	180
		Pt	0.004	0.014	0.032	0.057	0.088	0.127	0.173	0.226	0.286
		Throw	1-4-10	6-10-20	10-15-26	14-20-30	16-24-33	20-26-36	23-28-39	24-30-42	26-31-44
		NC	-	-	-	-	17	23	30	32	35
	9"	CFM/LF	35	65	100	132	165	198	231	264	297
		Pt	0.005	0.016	0.037	0.065	0.102	0.146	0.199	0.260	0.030
		Throw	3-6-13	9-13-26	13-19-33	17-26-39	21-30-43	26-33-47	29-36-50	31-39-54	33-41-57
		NC	-	-	-	-	21	27	34	37	40
	12"	CFM/LF	45	95	140	185	235	280	325	380	420
		Pt	0.004	0.018	0.040	0.070	0.113	0.161	0.216	0.296	0.320
		Throw	4-8-16	10-16-31	16-23-39	21-31-45	26-36-51	31-39-56	34-42-60	37-45-64	39-48-68
		NC	-	-	-	22	32	38	43	45	50
2-Way	6"	CFM/LF	15	30	45	55	70	80	90	105	120
		Pt	0.004	0.014	0.032	0.057	0.088	0.127	0.173	0.226	0.286
		Throw	1-2-9	4-9-16	9-12-21	11-16-24	14-19-27	16-21-30	19-23-32	20-24-34	21-26-36
		NC	-	-	-	-	-	-	-	18	20
	9"	CFM/LF	25	55	75	105	135	155	185	210	240
		Pt	0.005	0.016	0.037	0.065	0.102	0.146	0.199	0.260	0.300
		Throw	2-4-11	8-11-24	11-17-30	16-24-34	19-27-39	24-30-42	26-32-45	28-34-49	30-36-51
		NC	-	-	-	-	17	23	29	32	35
	12"	CFM/LF	40	80	120	160	200	240	280	320	360
		Pt	0.004	0.018	0.040	0.070	0.113	0.161	0.216	0.296	0.320
		Throw	4-7-14	9-14-29	14-21-36	19-29-42	24-33-47	29-36-51	32-39-56	34-42-59	36-44-63
		NC	-	-	-	18	26	32	36	41	44

PERFORMANCE NOTES FOR MODEL SERIES LFL

All data is tested in accordance with ANSI/ASHRAE 70-2006.

DEFINITION OF UNITS

CFM/LF Cubic Feet per Minute (air) / per Linear Ft.

Pt Total pressure (inches of water column)

Throw Distance in feet @50fpm terminal velocity with 10°FΔT cooling differential.

NC Noise criterion, sound pressure level NC ratings are based on sound power level (Lw) re: 10⁻¹² watts minus a 10dB room attenuation in all octave bands