

Linear Wood Grille Ceiling Systems

Installation Manual



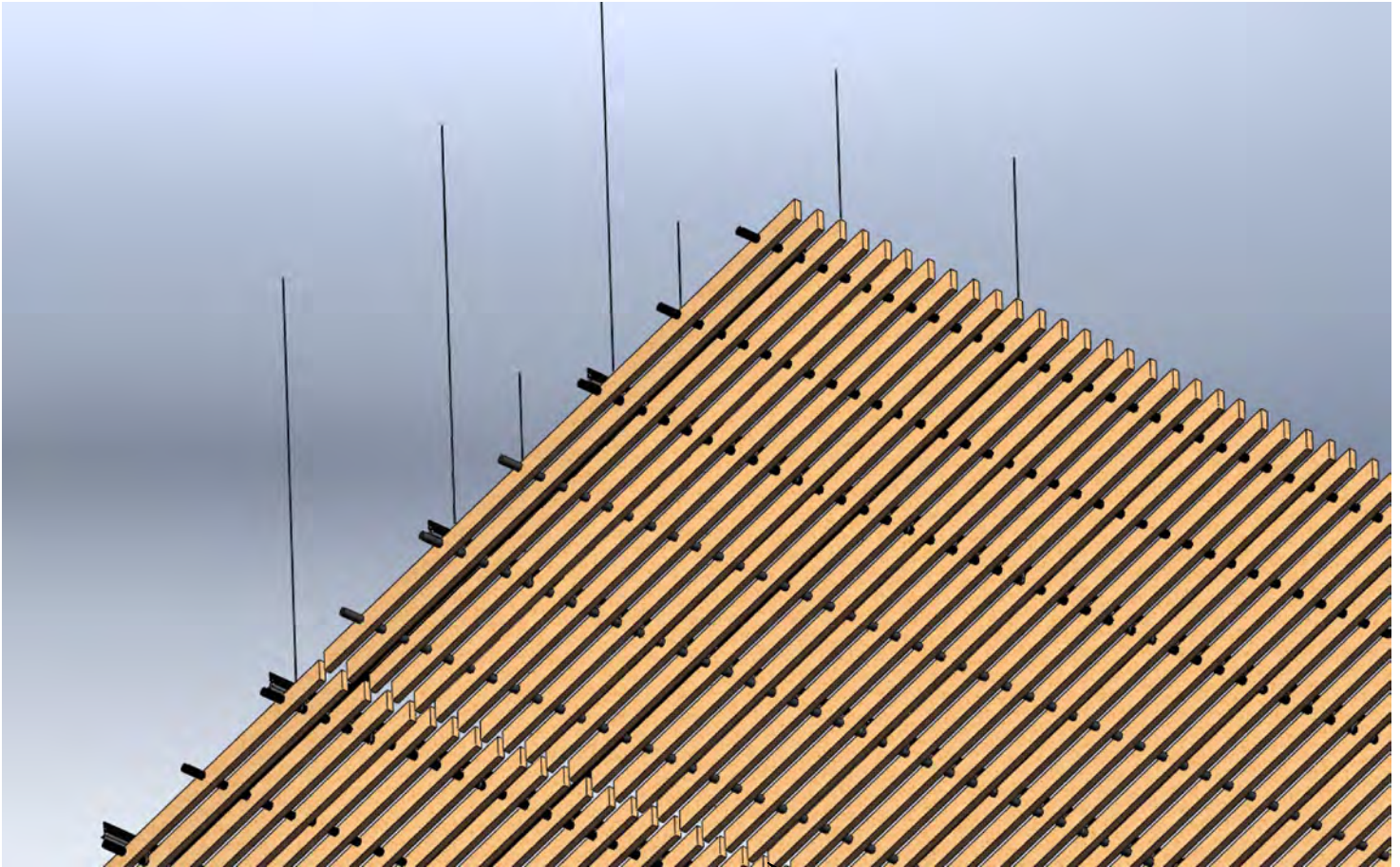
Designed and Engineered
by: **Decoustics**

www.decoustics.com
sales@decoustics.com

decoustics
SAINT-GOBAIN

61 Royal Group Crescent, Woodbridge, Ontario L4H 1X9
Main (905) 652-5200, Toll Free (800) 387-3809, Fax (905) 652-2505
sales@decoustics.com, www.decoustics.com

Linear Wood - Dowel Grille



Note: Ceiling shown features a 3/4" (19mm) reveal between Dowel Grille panel groupings.

1. Prior to installation check and verify that all required components have been received. Using the attached drawings identify all components received.
2. Check and verify the quantities of components received against the quantities required for the project.

Note: All T bar grids utilized for the mounting of Linear Wood Products must be Installed to support the loading applied to the structure by the Linear wood components. All main "T's" will be on 2'-0" centers with hanger wires located at no more than 4'-0" spacing's. All cross "T's" will be located on 2'-0" centers.



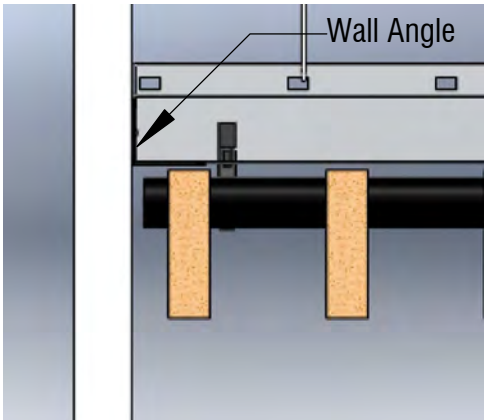
Dowel Grille Hanger Clip

decoustics
SAINT-GOBAIN

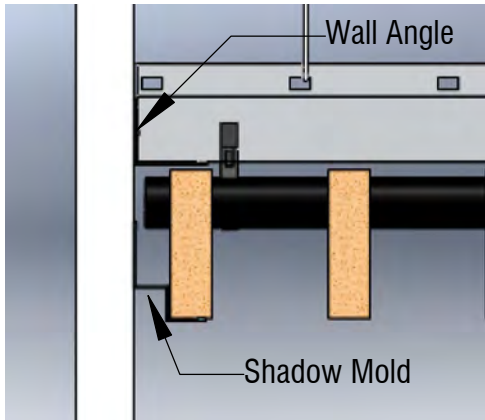
61 Royal Group Crescent, Woodbridge, Ontario L4H 1X9
Main (905) 652-5200, Toll Free (800) 387-3809, Fax (905) 652-2505
sales@decoustics.com, www.decoustics.com

Linear Wood - Dowel Grille

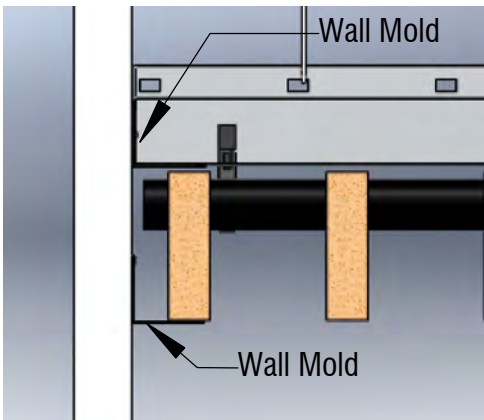
Typical Ceiling Start and Finish Details



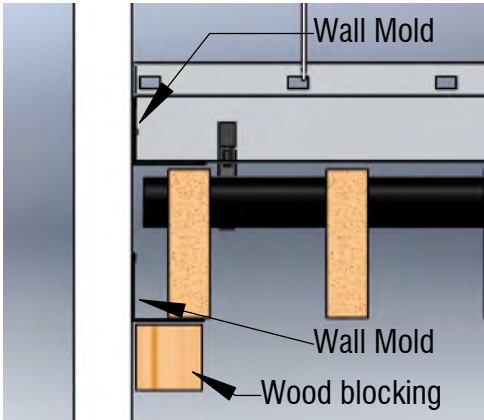
Preferred
Continuous Wall Angle
at T-bar



Metal Trim Utilizing
Continuous Shadow Mold
and Wall Angle

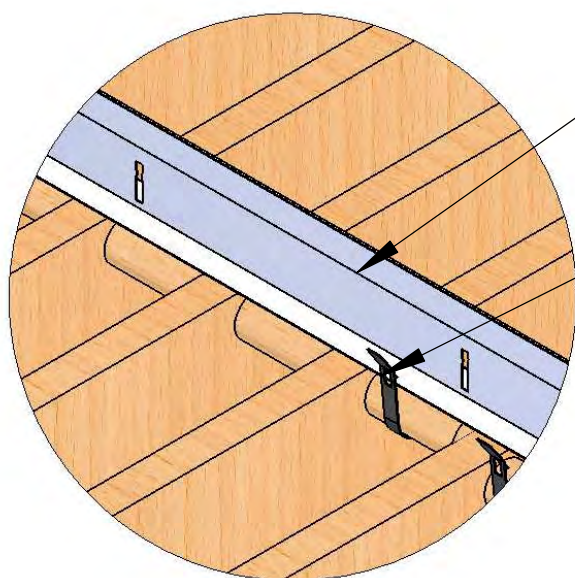
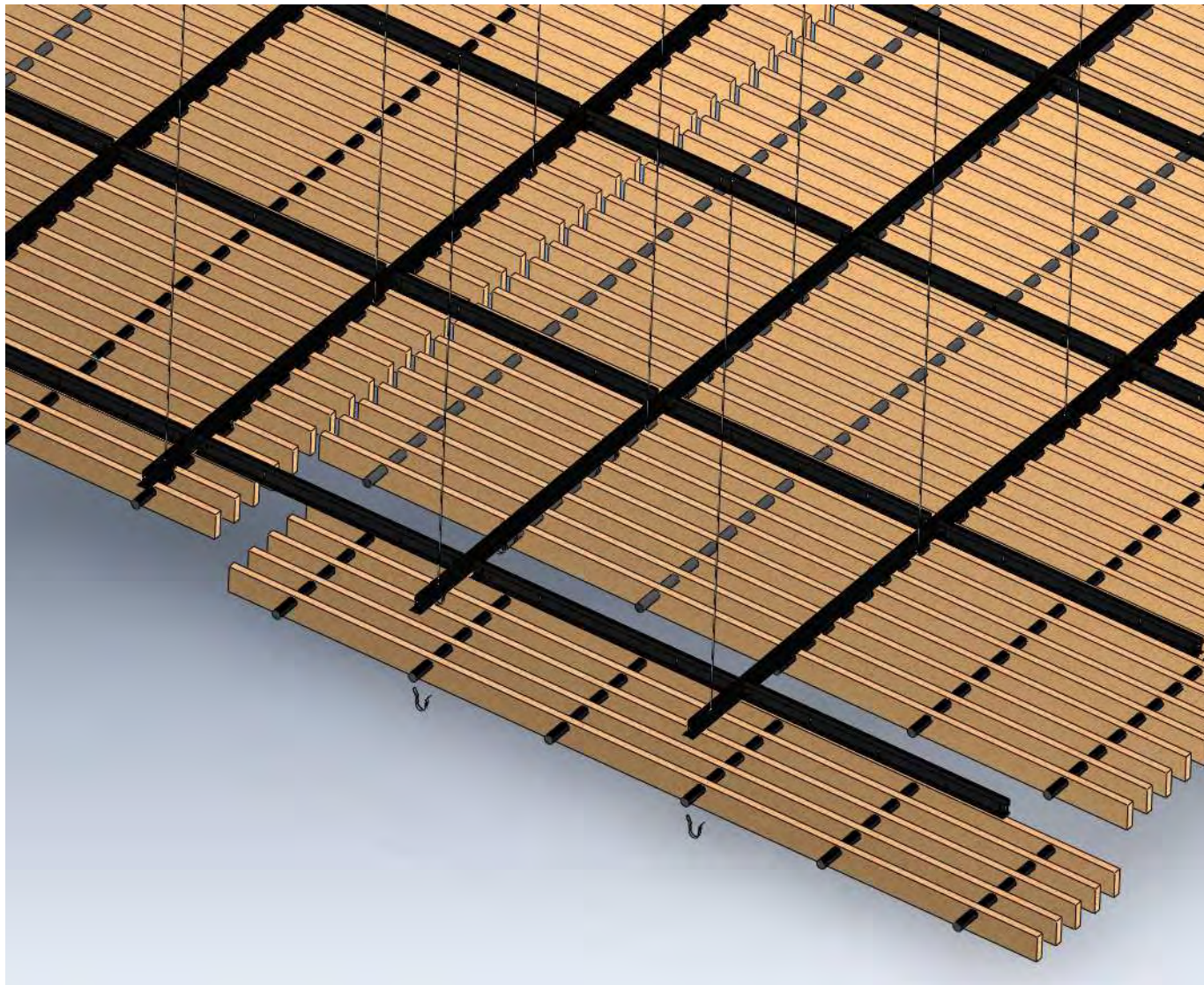


Metal Trim Utilizing
Continuous Wall Angle



Wood Trim Utilizing
Continuous Wall Angle

3. Dowel grille ceiling panel assembly. Dowel Grille panels are attached to heavy duty T-bar with metal dowel grille hanger clips. The clips cradle the dowel and snap over the T-bar rail.



Heavy duty T bar support rail

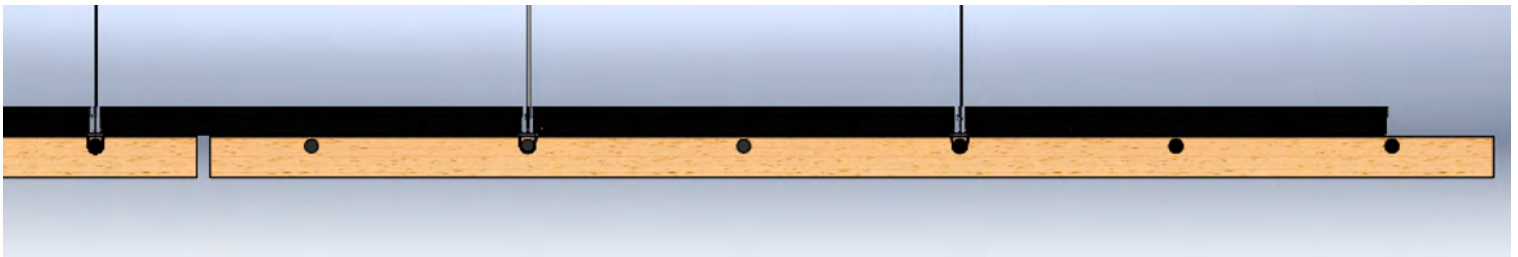
Dowel Grille hanger clip. Clip cradles the support dowel and snaps over the edge of the T bar.

Detail - Dowel Hanger Clip Engaged on Heavy Duty T bar Grid

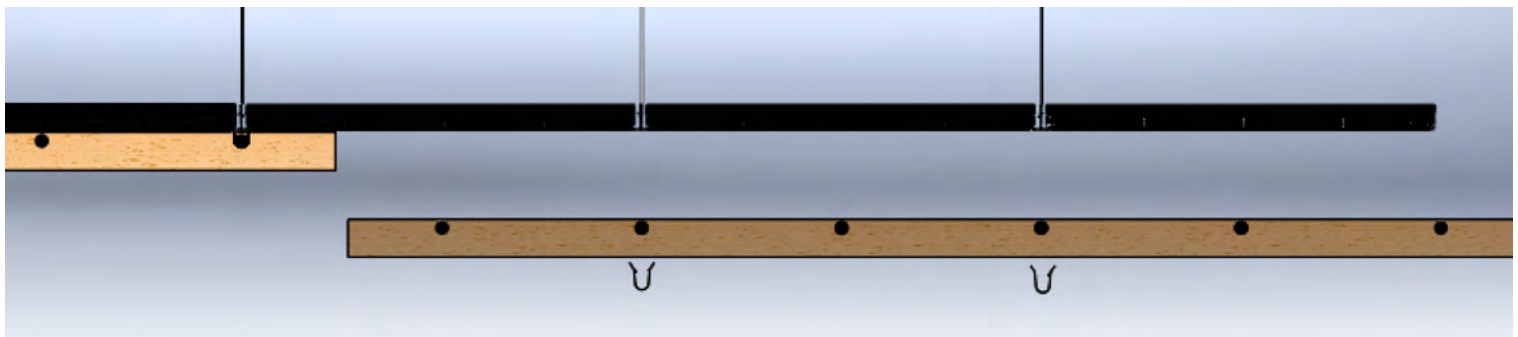
decoustics
SAINT-GOBAIN

61 Royal Group Crescent, Woodbridge, Ontario L4H 1X9
Main (905) 652-5200, Toll Free (800) 387-3809, Fax (905) 652-2505
sales@decoustics.com, www.decoustics.com

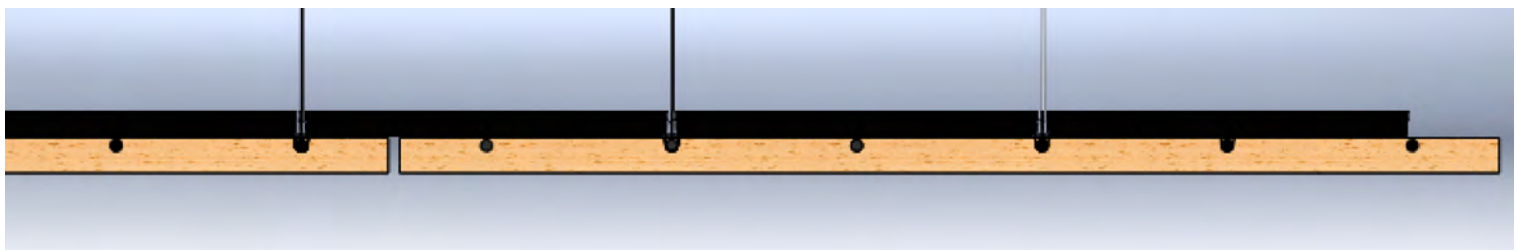
Step #1 To install dowel grille panels onto T bar grid, insert the dowel hanger clip onto the dowel support rail.



Step #2 Once the clips are located on the support dowel align the grille panel to the T bar grid.



Step #3 Raise the panel assembly with hanger clips up until the clips engage with the heavy duty T bar rail.

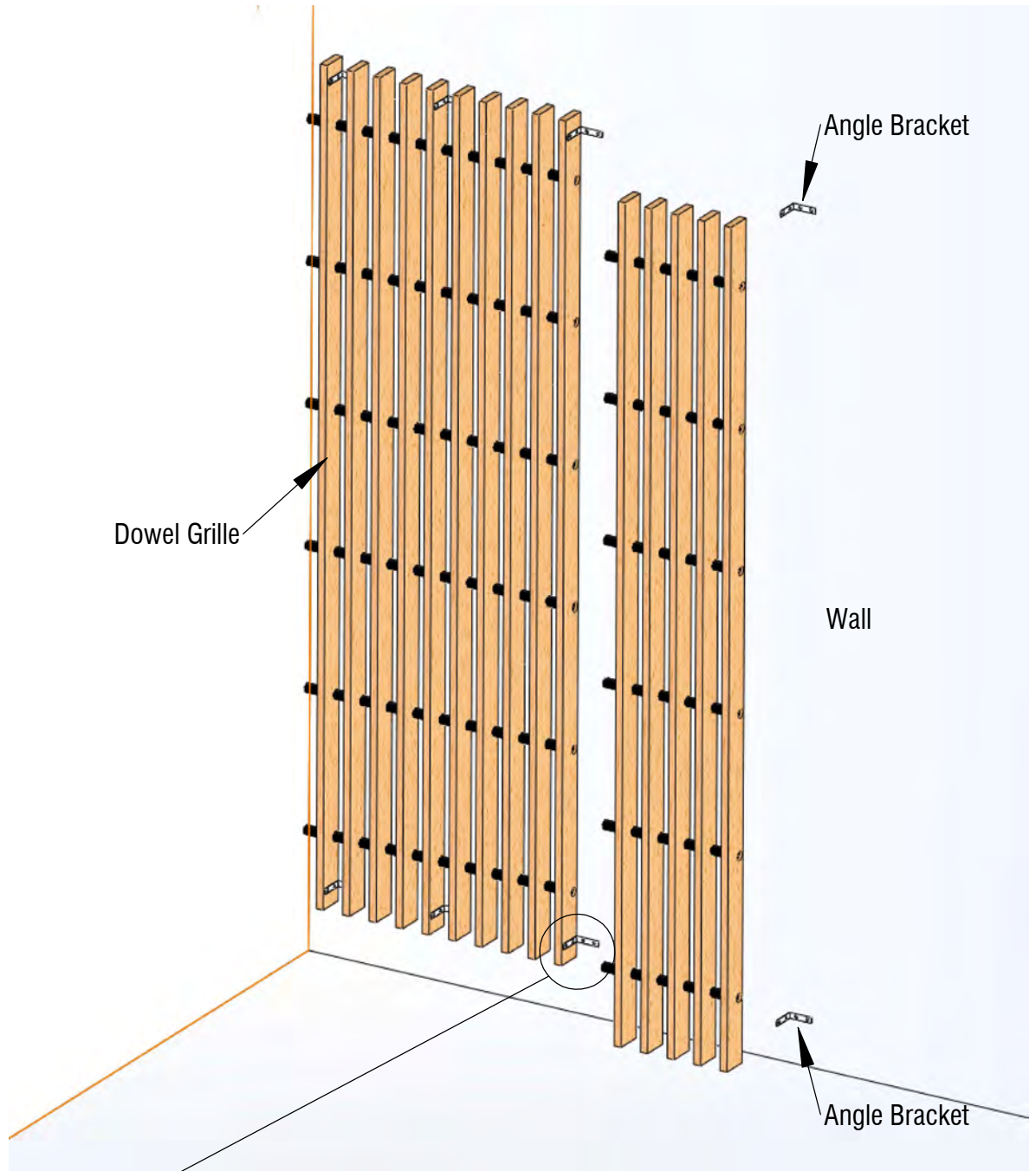


Step #4 The dowel grille panel is now installed.

decoustics
SAINT-GOBAIN

61 Royal Group Crescent, Woodbridge, Ontario L4H 1X9
Main (905) 652-5200, Toll Free (800) 387-3809, Fax (905) 652-2505
sales@decoustics.com, www.decoustics.com

Linear Wood - Dowel Grille - Wall Mounting Detail

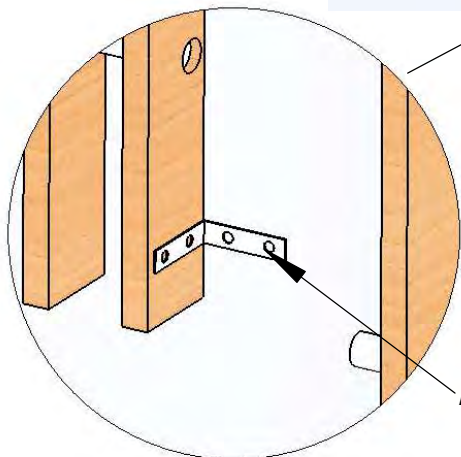


Dowel Grille

Angle Bracket

Wall

Angle Bracket



Angle Bracket

When wall mounting of Dowel Grille is required the Grille is attached to the wall with the addition of angle bracket hardware. The angle bracket is attached to the Grille blade and the angle is then affixed to the wall with appropriate mounting screws. Utilization of the correct number of angle brackets and type of wall anchors is critical.

- Detail - Wall Mounting Angle Bracket

decoustics
SAINT-GOBAIN

61 Royal Group Crescent, Woodbridge, Ontario L4H 1X9
Main (905) 652-5200, Toll Free (800) 387-3809, Fax (905) 652-2505
sales@decoustics.com, www.decoustics.com

Cutting of Linear Wood Product Planks and Blades

When Cutting Linear Plank or Linear Grille Products it is important to use equipment that will not tear or chip the wood veneer components. Traditional woodworking tools are suitable for cutting Linear Wood and Grille Ceilings. Decoustics recommends using large diameter chop saws or radial saws having a carbide tipped blade with a sharp, thin-kerf, 80 tooth - at 10" (254mm) diameter - and alternating 40 degree bevel. Cut products with face up to avoid scratching. Make certain that the cutting tool has adequate depth of cut to pass through the products height.

Note: A traditional table saw would require the plank to be cut much slower to avoid tear-out or chipping. If cutouts are required for round fixtures, Decoustics recommends a router and template method using a quality spiral-down carbideflute cutting bit.

When cutting metal components it is recommended to utilize the appropriate tool such as a metal cut-off saw, hacksaw, or hand grinder with cut-off blade.

Finishing of Cut Ends - Linear Wood Product Planks and Blades

Cutting through Linear Plank or Linear Blade rails will expose the mdf core material. It is recommended to finish the cut ends to seal the core material. There are several recommended ways of finishing cut ends is:

- 1. Spray or brush coat the exposed ends of the Linear wood product with a high quality clear washable low sheen lacquer coating (recommended). Such products are available at most hardware or building supply outlets.**
- 2. Pre-finished veneer material with a self adhesive backing is available upon request at additional cost. The pre finished veneer can be cut to the desired size and adhered to the cut ends utilizing the self adhesive backing. Once attached to the Linear wood product the excess material can be trimmed with a knife or sanded flush to the exterior profile of the cut end.**

Note: We recommend that any installations of Linear wood products be done under the supervision of a qualified and experienced individual with a good thorough knowledge of wood working and cabinet building techniques.

ENVIRONMENT: Linear wood panels must be stored, installed, and maintained only in a stable ambient environment (relative humidity of minimum 35% - maximum 55%, temperature to be maintained between 20 -27°C (68-80°F))
Linear Wood and Linear Grille panels must be allowed to stabilize on site for 72 hours prior to installation

Special Services and Client Support

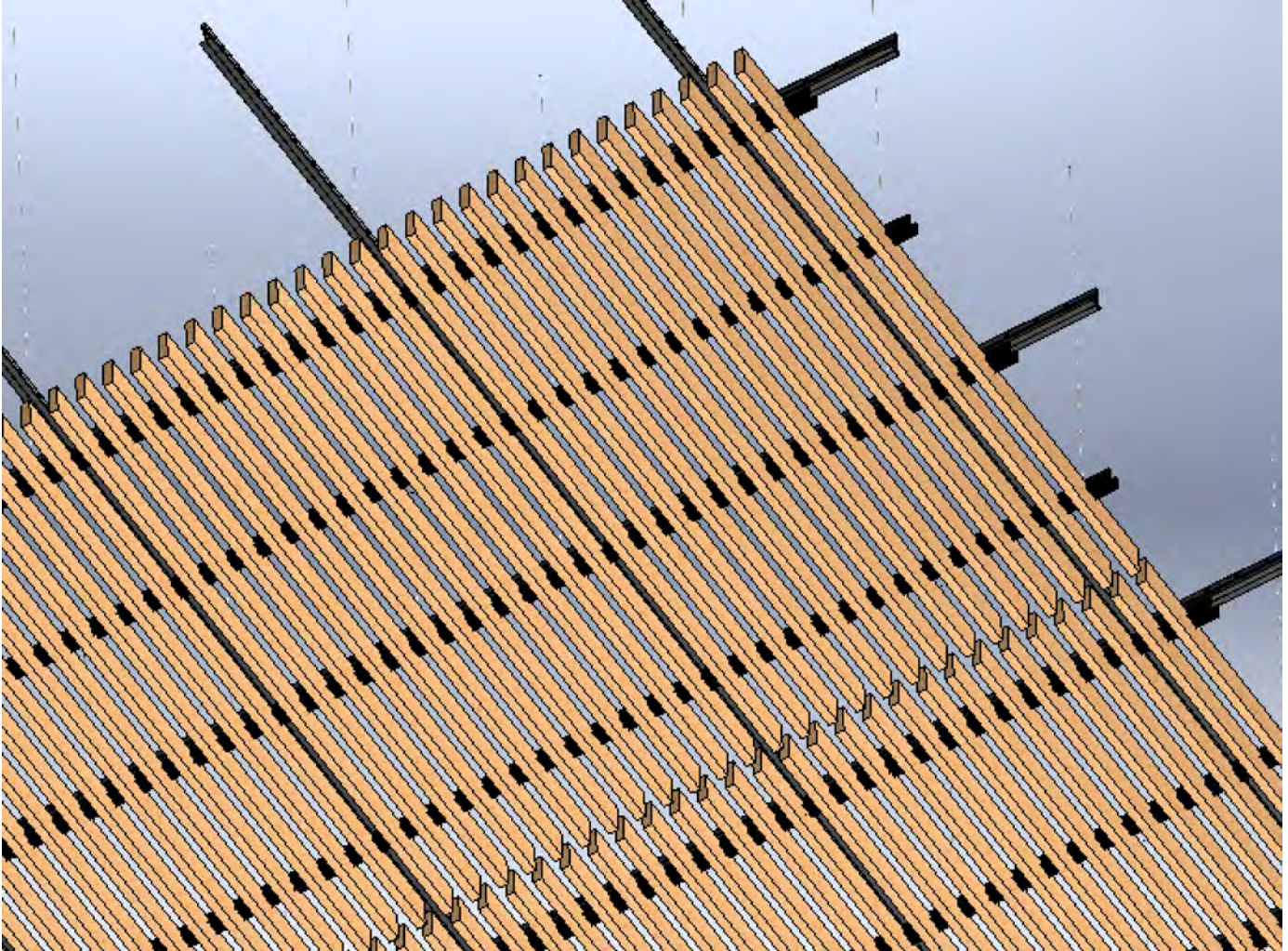
Linear wood products are purchased on the understanding that the materials supplied to our clients are a commodity type product. Decoustics can provide basic customer support related to the installation of Linear wood products.

For installations involving the customization of Linear wood products Decoustics can provide design and fabrication services at additional cost.

decoustics
SAINT-GOBAIN

61 Royal Group Crescent, Woodbridge, Ontario L4H 1X9
Main (905) 652-5200, Toll Free (800) 387-3809, Fax (905) 652-2505
sales@decoustics.com, www.decoustics.com

Linear Wood - Cross Piece Grille



1. Prior to installation please check and verify that all required components have been received. Using the attached drawings identify all components received.
2. Check and verify the quantities of components received against the quantities required for the project.

Note: All T bar grids utilized for the mounting of Linear Wood Products must be Installed to support the loading applied to the structure by the Linear wood components. All main "T's" will be on 2'-0" centers with hanger wires located at no more than 4'-0" spacing's. All cross "T's" will be located on 2'-0" centers.

To Install Linear Wood Cross Piece Grille panels it is recommended to use black coated Sheet Metal Screws #8 x 1 1/2 " (to be supplied by others)

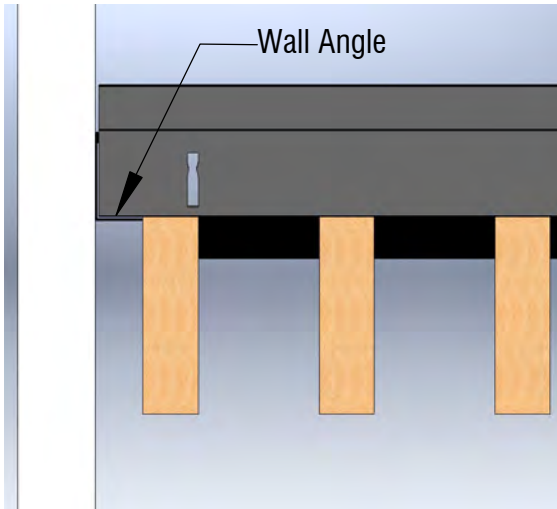


decoustics
SAINT-GOBAIN

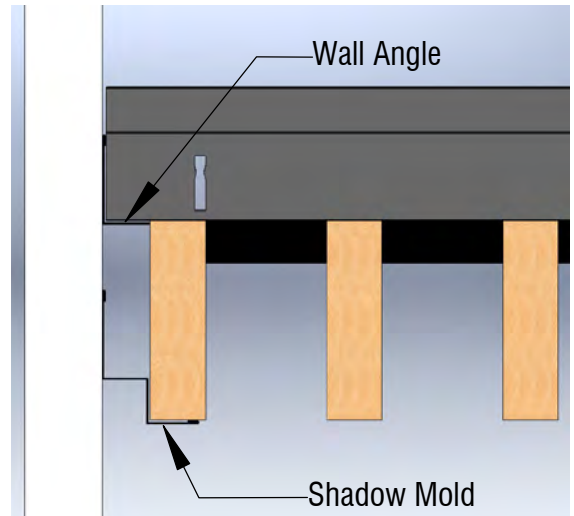
61 Royal Group Crescent, Woodbridge, Ontario L4H 1X9
Main (905) 652-5200, Toll Free (800) 387-3809, Fax (905) 652-2505
sales@decoustics.com, www.decoustics.com

Linear Wood - Cross Piece Grille

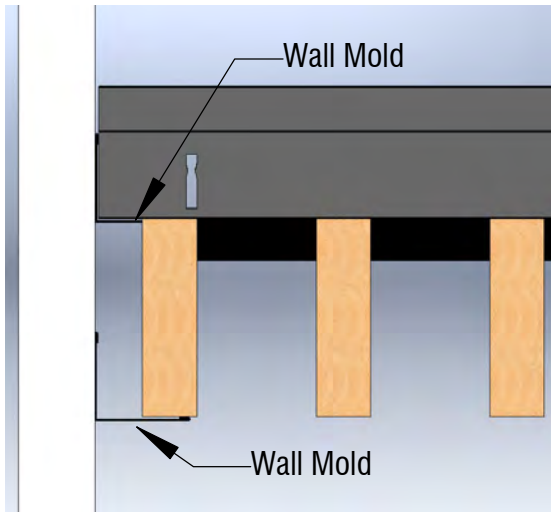
Typical Ceiling Start and Finish Details



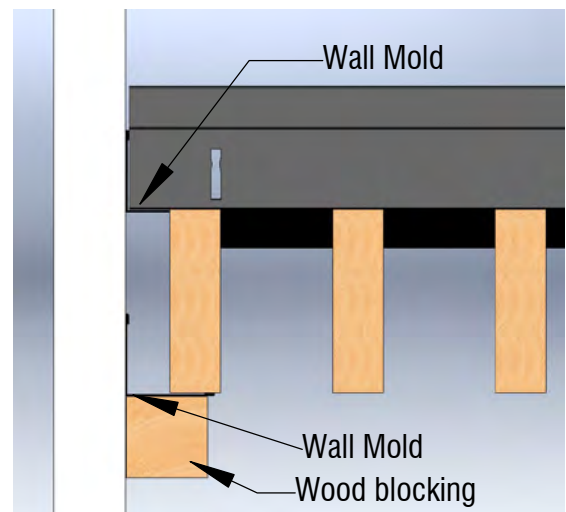
Preferred
Continuous Wall Angle
at T bar



Metal Trim Utilizing
Continuous Shadow Mold
and Wall Angle



Metal Trim Utilizing
Continuous Wall Angle

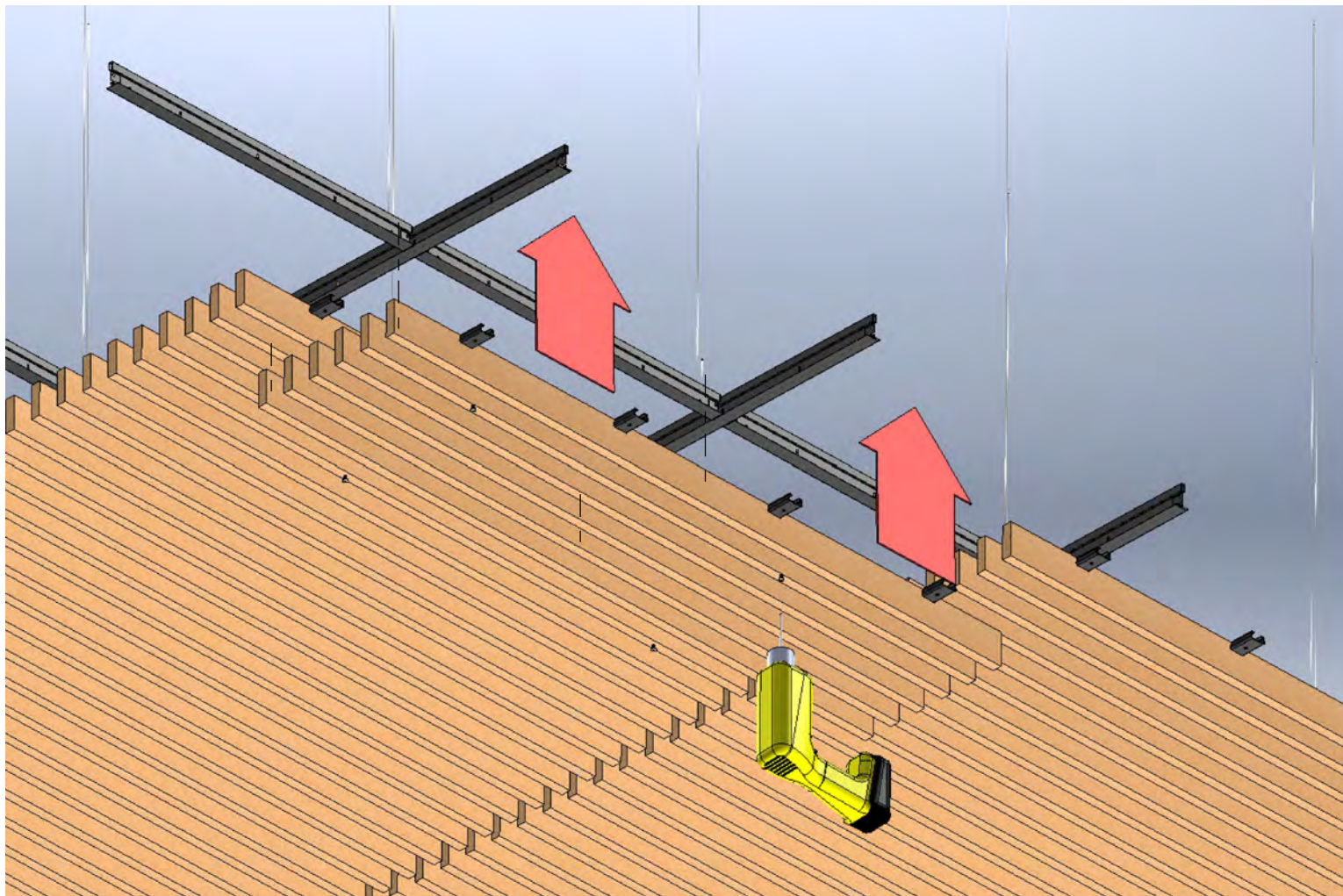


Wood Trim Utilizing
Continuous Wall Angle

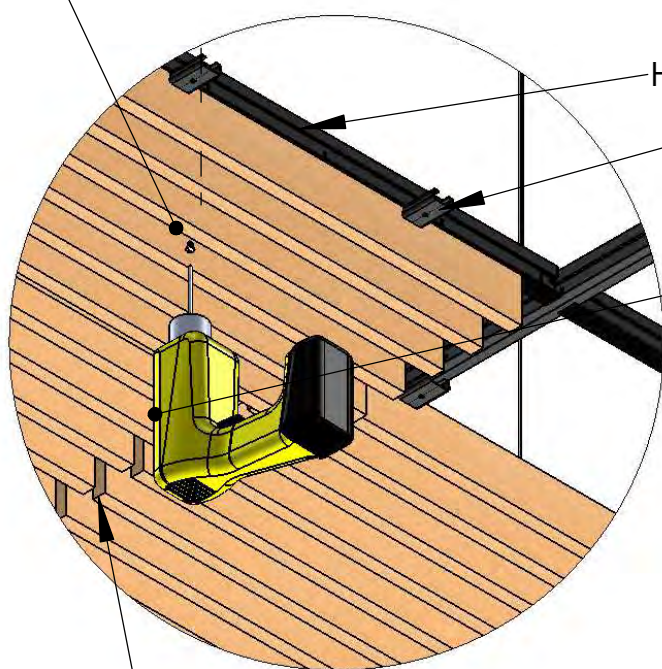
decoustics
SAINT-GOBAIN

61 Royal Group Crescent, Woodbridge, Ontario L4H 1X9
Main (905) 652-5200, Toll Free (800) 387-3809, Fax (905) 652-2505
sales@decoustics.com, www.decoustics.com

3. Cross Piece Grille ceiling panel assembly. Cross Piece Grille panels are attached to heavy duty T bar with #8 sheet metal screws.



#8 Sheet Metal screw 1 1/2" Long



Heavy duty T bar support rail

Metal Cross Rail

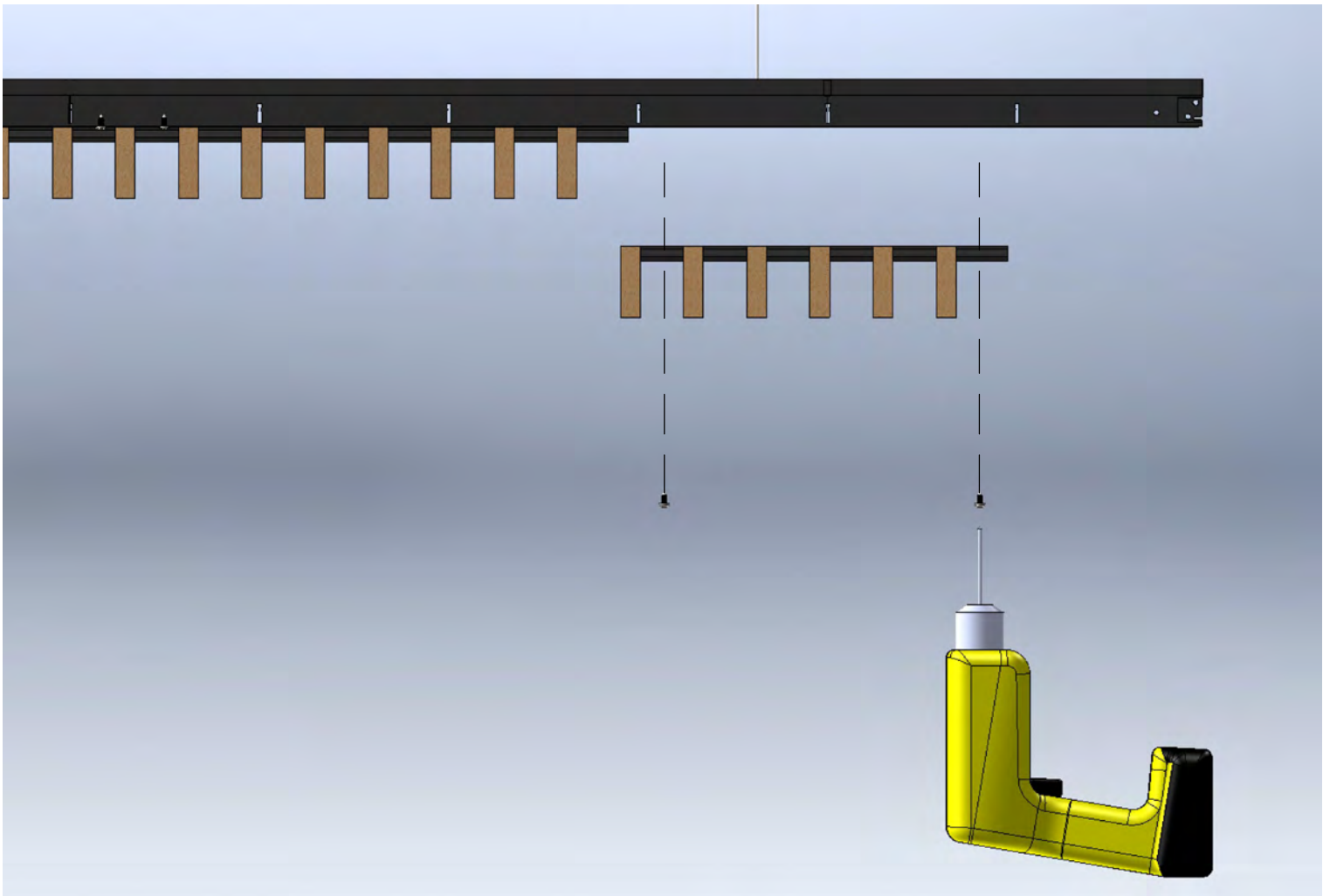
Driver drill to screw #8 Sheet Metal screw into heavy duty T bar rail.

Detail - Fastening of Metal Cross Rail To Heavy Duty T bar Support Rail

Note: Ceiling shown features a 3/4" (19mm) reveal between Grille panel groupings.

decoustics
SAINT-GOBAIN

61 Royal Group Crescent, Woodbridge, Ontario L4H 1X9
Main (905) 652-5200, Toll Free (800) 387-3809, Fax (905) 652-2505
sales@decoustics.com, www.decoustics.com



4. Cross Piece Grille ceiling panels are installed progressively on heavy duty T bar grid.
The Grille ceiling panels are secured to the T bar with #8 sheet metal screws (as shown).

decoustics
SAINT-GOBAIN

61 Royal Group Crescent, Woodbridge, Ontario L4H 1X9
Main (905) 652-5200, Toll Free (800) 387-3809, Fax (905) 652-2505
sales@decoustics.com, www.decoustics.com

Cutting of Linear Wood Product Planks and Blades

When Cutting Linear Plank or Linear Grille Products it is important to use equipment that will not tear or chip the wood veneer components. Traditional woodworking tools are suitable for cutting Linear Wood and Grille Ceilings. Decoustics recommends using large diameter chop saws or radial saws having a carbide tipped blade with a sharp, thin-kerf, 80 tooth - at 10" (254mm) diameter - and alternating 40 degree bevel. Cut products with face up to avoid scratching. Make certain that the cutting tool has adequate depth of cut to pass through the products height.

Note: A traditional table saw would require the plank to be cut much slower to avoid tear-out or chipping. If cutouts are required for round fixtures, Decoustics recommends a router and template method using a quality spiral-down carbideflute cutting bit.

When cutting metal components it is recommended to utilize the appropriate tool such as a metal cut-off saw, hacksaw, or hand grinder with cut-off blade.

Finishing of Cut Ends - Linear Wood Product Planks and Blades

Cutting through Linear Plank or Linear Blade rails will expose the mdf core material. It is recommended to finish the cut ends to seal the core material. There are several recommended ways of finishing cut ends is:

- 1. Spray or brush coat the exposed ends of the Linear wood product with a high quality clear washable low sheen lacquer coating (recommended). Such products are available at most hardware or building supply outlets.**
- 2. Pre-finished veneer material with a self adhesive backing is available upon request at additional cost. The pre finished veneer can be cut to the desired size and adhered to the cut ends utilizing the self adhesive backing. Once attached to the Linear wood product the excess material can be trimmed with a knife or sanded flush to the exterior profile of the cut end.**

Note: We recommend that any installations of Linear wood products be done under the supervision of a qualified and experienced individual with a good thorough knowledge of wood working and cabinet building techniques.

ENVIRONMENT: Linear wood panels must be stored, installed, and maintained only in a stable ambient environment (relative humidity of minimum 35% - maximum 55%, temperature to be maintained between 20 -27°C (68-80°F))
Linear Wood and Linear Grille panels must be allowed to stabilize on site for 72 hours prior to installation

Special Services and Client Support

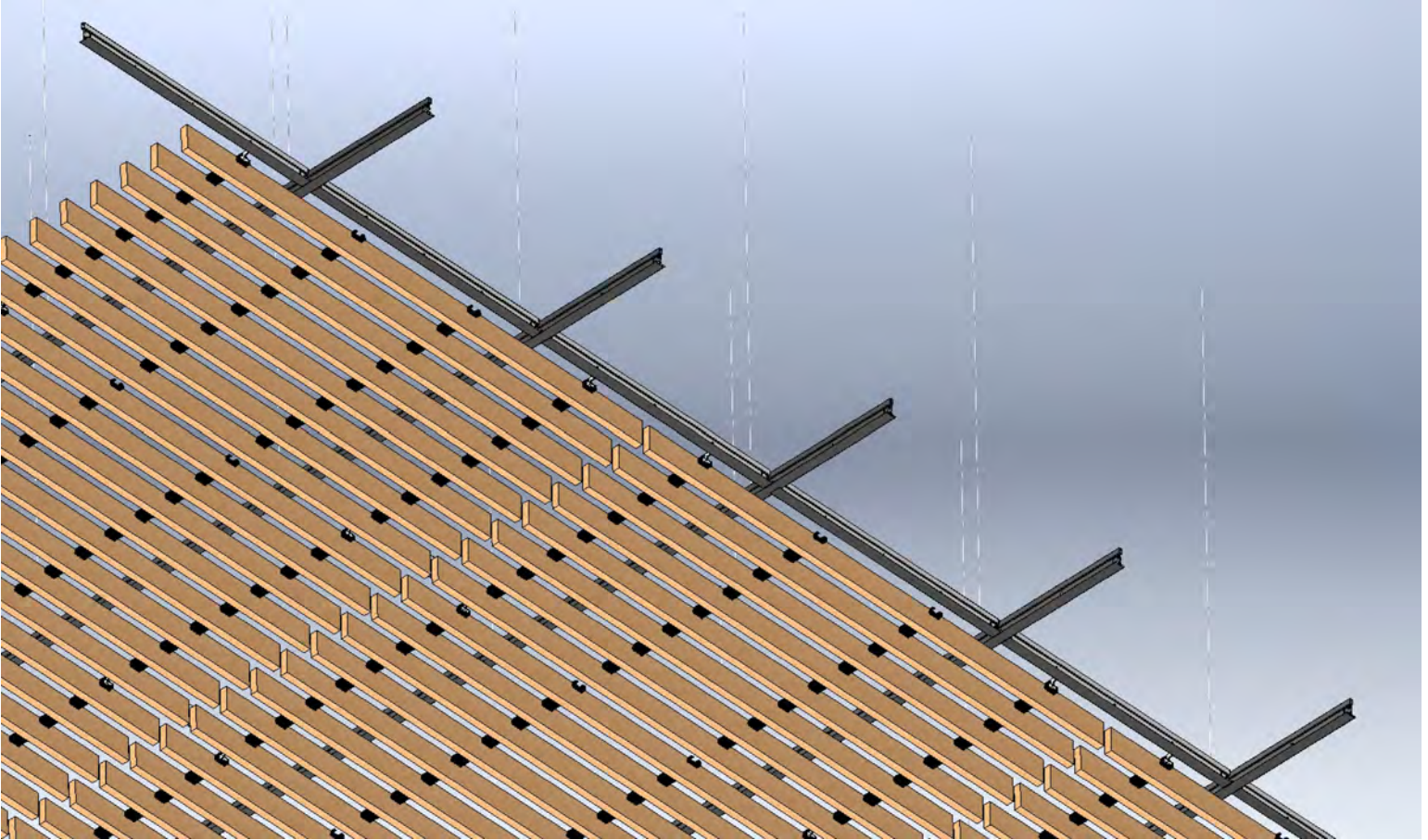
Linear wood products are purchased on the understanding that the materials supplied to our clients are a commodity type product. Decoustics can provide basic customer support related to the installation of Linear wood products.

For installations involving the customization of Linear wood products Decoustics can provide design and fabrication services at additional cost.

decoustics
SAINT-GOBAIN

61 Royal Group Crescent, Woodbridge, Ontario L4H 1X9
Main (905) 652-5200, Toll Free (800) 387-3809, Fax (905) 652-2505
sales@decoustics.com, www.decoustics.com

Linear Wood - Lay - In Grille



1. Prior to installation check and verify that all required components have been received. Using the attached drawings identify all components received.
2. Check and verify the quantities of components received against the quantities required for the project.

Note: All T bar grids utilized for the mounting of Linear Wood Products must be Installed to support the loading applied to the structure by the Linear wood components. All main "T's" will be on 2'-0" centers with hanger wires located at no more than 4'-0" spacing's. All cross "T's" will be located on 2'-0" centers.

**Lanyard with
Locking Clip**

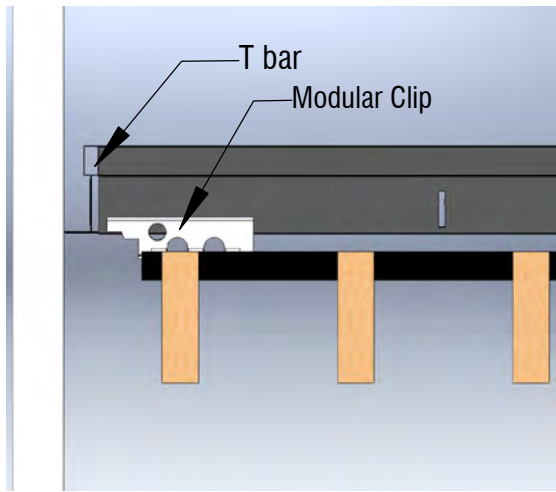


decoustics
SAINT-GOBAIN

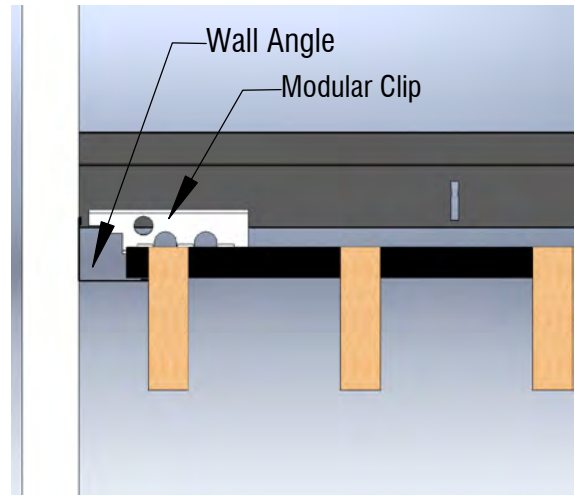
61 Royal Group Crescent, Woodbridge, Ontario L4H 1X9
Main (905) 652-5200, Toll Free (800) 387-3809, Fax (905) 652-2505
sales@decoustics.com, www.decoustics.com

Linear Wood - Lay -In Grille

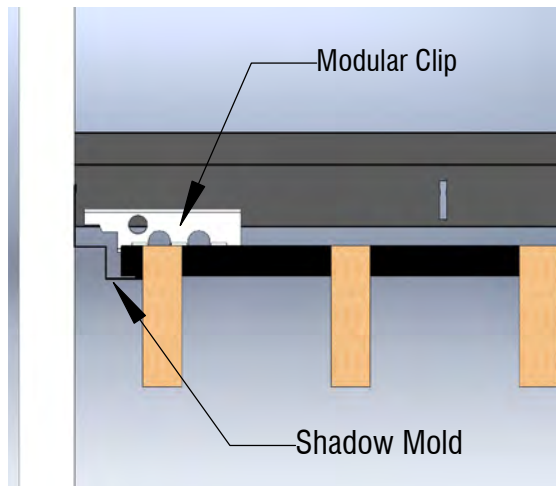
Typical Ceiling Start and Finish Details



Typical T bar Installation at Wall

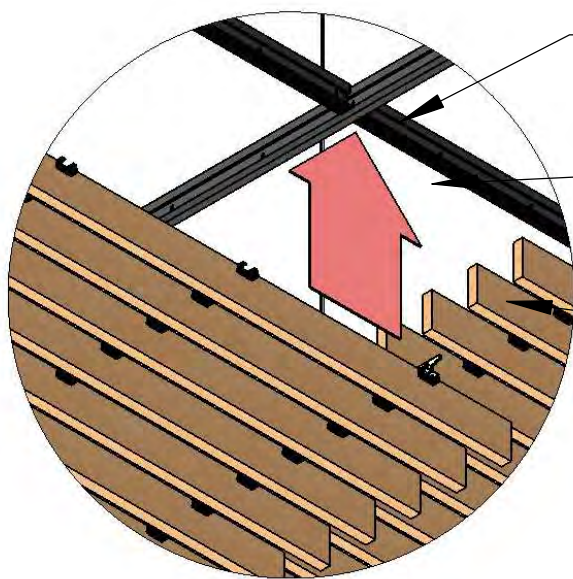
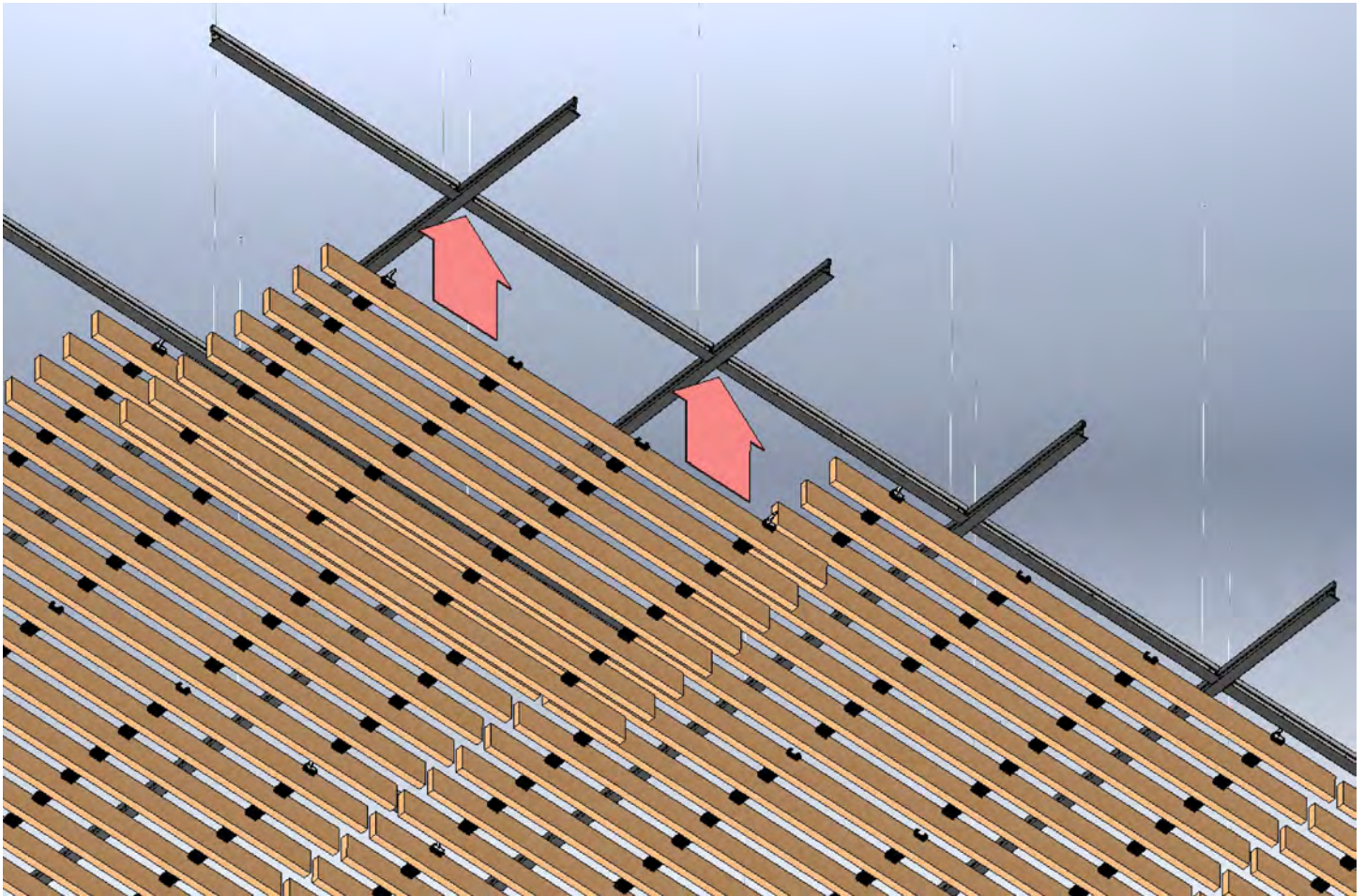


Preferred Continuous Wall Angle at T bar



Metal Trim Utilizing Continuous Shadow Mold

3. Lay-in Grille panel is positioned under the T bar support grid. the support rails on one side of the panel are then inserted into to the heavy duty T bar while the opposite side is rotated into the grid opening. The panel is then shifted to the side to seat itself in the grid.



Heavy duty T bar grid

Support cross rails with machined ends to facilitate the Lift and Shift functionality of the panels.

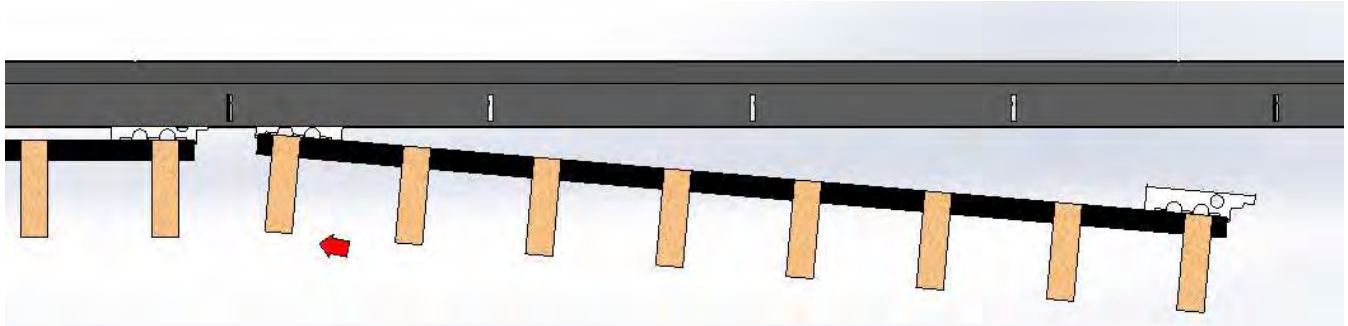
Lay-in Lift and Shift Grille ceiling panel.

Detail - Linear wood Lay-in Grille Ceiling Panel

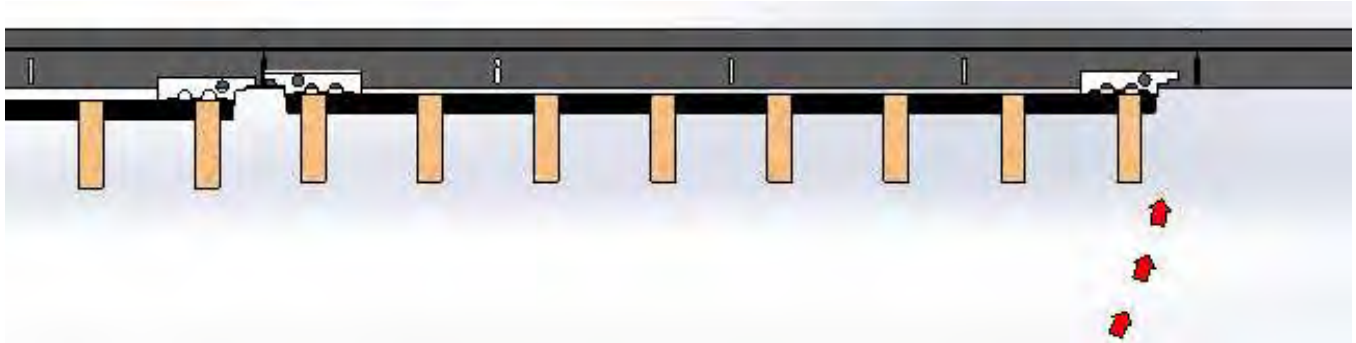
decoustics
SAINT-GOBAIN

61 Royal Group Crescent, Woodbridge, Ontario L4H 1X9
Main (905) 652-5200, Toll Free (800) 387-3809, Fax (905) 652-2505
sales@decoustics.com, www.decoustics.com

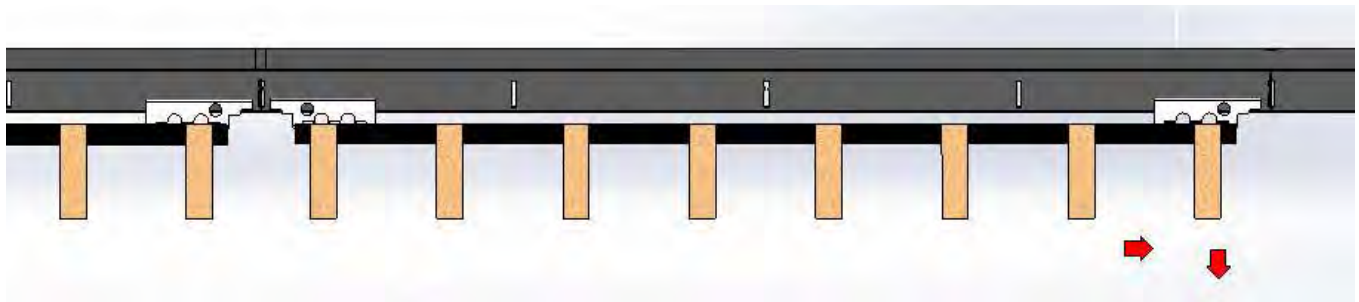
Step #1 To install Lay-in Grille panels into T bar grid, insert the support cross rails into the T bar ceiling grid as shown in the drawing below.



Step #2 Once the cross rails are located inside the T bar grid rotate the opposite side of the panel up so that the cross rail supports clear the T bar grid.



Step #3 Once the opposite side cross rails are located inside the T bar grid slide the panel up and back so that the cross rail supports now are in contact above the T bar grid. Allow the panel to drop and seat itself in the T bar grid.



Step #4 The Lay-in Grille panel is now installed in the grid. To remove the panel repeat steps One, two, and three in reverse order.

All lay-in Grille panels require the attachment of a wire Lanyard between the panel and the heavy duty support Grid. Each Lanyard comes with a locking clip.

**Lanyard with
Locking Clip**



decoustics
SAINT-GOBAIN

61 Royal Group Crescent, Woodbridge, Ontario L4H 1X9
Main (905) 652-5200, Toll Free (800) 387-3809, Fax (905) 652-2505
sales@decoustics.com, www.decoustics.com

Cutting of Linear Wood Product Planks and Blades

When Cutting Linear Plank or Linear Grille Products it is important to use equipment that will not tear or chip the wood veneer components. Traditional woodworking tools are suitable for cutting Linear Wood and Grille Ceilings. Decoustics recommends using large diameter chop saws or radial saws having a carbide tipped blade with a sharp, thin-kerf, 80 tooth - at 10" (254mm) diameter - and alternating 40 degree bevel. Cut products with face up to avoid scratching. Make certain that the cutting tool has adequate depth of cut to pass through the products height.

Note: A traditional table saw would require the plank to be cut much slower to avoid tear-out or chipping. If cutouts are required for round fixtures, Decoustics recommends a router and template method using a quality spiral-down carbide flute cutting bit.

When cutting metal components it is recommended to utilize the appropriate tool such as a metal cut-off saw, hacksaw, or hand grinder with cut-off blade.

Finishing of Cut Ends - Linear Wood Product Planks and Blades

Cutting through Linear Plank or Linear Blade rails will expose the mdf core material. It is recommended to finish the cut ends to seal the core material. There are several recommended ways of finishing cut ends is:

1. Spray or brush coat the exposed ends of the Linear wood product with a high quality clear washable low sheen lacquer coating (recommended). Such products are available at most hardware or building supply outlets.

2. Pre-finished veneer material with a self adhesive backing is available upon request at additional cost. The pre finished veneer can be cut to the desired size and adhered to the cut ends utilizing the self adhesive backing. Once attached to the Linear wood product the excess material can be trimmed with a knife or sanded flush to the exterior profile of the cut end.

Note: We recommend that any installations of Linear wood products be done under the supervision of a qualified and experienced individual with a good thorough knowledge of wood working and cabinet building techniques.

ENVIRONMENT: Linear wood panels must be stored, installed, and maintained only in a stable ambient environment (relative humidity of minimum 35% - maximum 55%, temperature to be maintained between 20 -27°C (68-80°F))

Linear Wood and Linear Grille panels must be allowed to stabilize on site for 72 hours prior to installation

Special Services and Client Support

Linear wood products are purchased on the understanding that the materials supplied to our clients are a commodity type product. Decoustics can provide basic customer support related to the installation of Linear wood products.

For installations involving the customization of Linear wood products Decoustics can provide design and fabrication services at additional cost.

decoustics
SAINT-GOBAIN

61 Royal Group Crescent, Woodbridge, Ontario L4H 1X9
Main (905) 652-5200, Toll Free (800) 387-3809, Fax (905) 652-2505
sales@decoustics.com, www.decoustics.com