

*LITTLE WONDER*

# **PROVAC SI**

**MODEL:**

**5511-02-01**

***PROVAC SI, HONDA PUSH (US)***

**5511-02-12**

***PROVAC SI, HONDA PUSH (AUS)***

**5511-04-01**

***PROVAC SI, BRIGGS PUSH (US)***

**5511-04-12**

***PROVAC SI, BRIGGS PUSH (AUS)***



**MAN 4176916**  
**Rev.A 10-2018**

**\*SHOWN WITH OPTIONAL HOSE KIT ACCESSORY**

**OPERATOR'S / PARTS MANUAL**

## IMPORTANT MESSAGE

On behalf of everyone at Little Wonder, we would like to thank you for your purchase of a Little Wonder PROVAC SI. This lawn/debris vacuum was designed to the highest standards to ensure you many hours of uninterrupted service.

This manual provides the information necessary for safe and efficient operation and service. For your safety, it is critically important that you read and understand this entire manual before operating your vacuum.

### Customer Support Information:

You can seek assistance from our Customer Support Group if you have questions assembling this product or have any questions regarding the controls, operation, or maintenance of this machine:

Website: <https://www.littlewonder.com/contact/>

Phone: 1-877-596-6337 (Toll-free) (215)357-5110

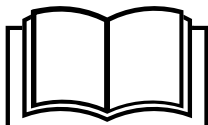
Hours: Monday through Friday 8:00am - 5:00pm , ET

OR Write to:

**LITTLE WONDER**  
**SCHILLER GROUNDS CARE, INC.**  
**1028 STREET ROAD, P.O. BOX 38**  
**SOUTHAMPTON, PA 18966**

TABLE OF CONTENTS	FIGURES	PAGE
SAFETY.....		3-7
LABELS.....		8
SET-UP INSTRUCTIONS.....		9-11
CONTROLS.....		12-13
OPERATION.....		14-15
FAN REMOVAL.....		16
MAINTENANCE / STORAGE.....		17
TROUBLESHOOTING.....		18
PARTS SECTION.....		19
BAGGER & NOZZLE ASSEMBLY.....	FIGURE 1.....	20, 21
HANDLE ASSEMBLY.....	FIGURE 2.....	22, 23
ENGINE BODY ASSEMBLY.....	FIGURE 3.....	24, 25
NOZZLE SIDE GUARD KIT*.....	FIGURE 4.....	26, 27
PROVAC SI HOSE KIT*.....	FIGURE 5.....	28, 29
WARRANTY.....		BACK COVER

\*KITS SOLD SEPERATELY



This Operator's and Parts Manual is part of the machine. Suppliers of both new and second-hand machines must make sure that this manual is provided with the machine.

**▲ WARNING**

The engine exhaust from this product contains chemicals known to the State of California to cause cancer, birth defects or other reproductive harm.

**▲ ADVERTENCIA**

El estado de California hace saber que los gases de escape de este producto contienen productos químicos que producen cáncer, defectos de nacimiento y otros daños en el proceso de reproducción humana.

**CALIFORNIA PROPOSITION 65**



**WARNING:** Cancer and Reproductive Harm - [www.P65Warnings.com](http://www.P65Warnings.com)



**ADVERTENCIA:** Cáncer y Daño Reproductivo - [www.P65Warnings.ca.gov](http://www.P65Warnings.ca.gov)

**IMPORTANT!**

It is a violation of California Public Resource Code Section 4442 or 4443 to use or operate the engine on any forest-covered, brush-covered or grass-covered land unless the engine is equipped with a spark arrestor, as defined in Section 4442, maintained in effective working order or the engine is constructed, equipped, and maintained for the prevention of fire.

To acquire a spark arrestor for your unit, see your Engine Service Dealer.

Please refer to the engine manufacturer's information included with the machine.

Labeled power ratings are supplied by the engine manufacturer in accordance with SAE testing and gross/net power rating standards (J1940, J1995, J1349).

## **WARNING**

Unauthorized modifications may present **extreme** safety hazards to operators and bystanders and could also result in product damage.

Schiller Grounds Care, Inc. strongly warns against, rejects and disclaims any modifications, add-on accessories or product alterations that are not designed, developed, tested and approved by Schiller Grounds Care, Inc. Engineering Department. Any Schiller Grounds Care, Inc. product that is altered, modified or changed in any manner not specifically authorized after original manufacture-including the addition of "after-market" accessories or component parts not specifically approved by Schiller Grounds Care, Inc.-will result in the Schiller Grounds Care, Inc. Warranty being voided.

Any and all liability for personal injury and/or property damage caused by any unauthorized modifications, add-on accessories or products not approved by Schiller Grounds Care, Inc. will be considered the responsibility of the individual(s) or company designing and/or making such changes. Schiller Grounds Care, Inc. will vigorously pursue full indemnification and costs from any party responsible for such unauthorized post-manufacture modifications and/or accessories should personal injury and/or property damage result.



This symbol means:  
**ATTENTION!**  
**BECOME ALERT!**

Your safety and the safety of others is involved.

### **Signal word definitions:**

The signal words below are used to identify levels of hazard seriousness. These words appear in this manual and on the safety labels attached to Schiller Grounds Care, Inc. machines. For your safety and the safety of others, read and follow the information given with these signal words and/or the symbol shown above.

## **DANGER**

**DANGER** indicates an imminently hazardous situation which, if not avoided, **WILL** result in death or serious injury.

## **WARNING**

**WARNING** indicates a potentially hazardous situation which, if not avoided, **COULD** result in death or serious injury.

## **CAUTION**

**CAUTION** indicates a potentially hazardous situation which, if not avoided, **MAY** result in minor or moderate injury. It may also be used to alert against unsafe practices or property damage.

## **CAUTION**

**CAUTION** used without the safety alert symbol indicates a potentially hazardous situation which, if not avoided, **MAY** result in property damage.

### *Schiller Grounds Care, Inc.*

1028 Street Road  
Southampton, PA 18966 U.S.A  
Phone: 215-357-5110  
Fax: 215-357-8045

MODEL NUMBER

SERIAL NUMBER

**MODEL NUMBER:** This number appears on sales literature, technical manuals and price lists.

**SERIAL NUMBER:** This number appears only on your unit. It contains the model number followed consecutively by the serial number. Use this number when ordering parts or seeking warranty information.

## **WARNING**

### **READ AND UNDERSTAND ALL INSTRUCTIONS.**

Failure to follow all instructions listed below may result in electric shock, fire and/or serious personal injury.

## **MACHINE PREPARATION**

### **Operator preparation and training**

#### **Read the Operation & Safety Manual**

- If an operator or mechanic cannot read English, it is the owner's responsibility to explain this material to them. If any portion of this material is unclear, contact your factory representative for clarification.
- Become familiar with the safe operation of the equipment, operator controls and safety signs. Be prepared to stop the engine quickly in an emergency. Do not operate or allow another person to operate this machine if there are any questions about safety.
- All operators and mechanics should be trained. The owner is responsible for training the users.
- Wear appropriate clothing. Wear substantial footwear. Do not operate barefoot or wearing open sandals. Long hair, loose clothing or jewelry may get tangled in moving parts.
- Wear appropriate hearing protection.
- Always wear eye protection with side shields marked to comply with ANSI Z87.1. Failure to do so could result in objects being thrown into your eyes and other possible serious injuries.
- Avoid contact with and inhalation of harmful fluids, gases, mists, fumes and dust. Never run engine indoors or in a poorly ventilated area. Engine exhaust contains carbon monoxide, an odorless and delay gas.
- Wear dust mask to avoid breathing dust.
- Never allow children, unskilled or improperly trained people to operate this equipment. Local regulations can restrict the age of the operator.
- Keep warning labels and this operator's manual legible and intact. Replacement labels and manuals are available from the factory.
- Do not operate machine while under the influence of drugs or alcohol, or any other condition of impairment.
- The owner/user can prevent and is responsible for accidents or injuries occurring to themselves, other people or property.

## **SITE PREPARATION AND CIRCUMSTANCES**

- Evaluate the terrain to determine how to safely perform the job. Only use accessories and attachments approved by the manufacturer.
- Be sure the area is clear of pets and people, especially young children. Never assume they will remain where you last saw them. Stop the machine if any enter the area.
- Check the work area before each use and remove all objects such as rocks, broken glass, nails, wire or string which can damage or become entangled in the machine.

## **MULTIPLE OPERATORS**

- Keep a safe distance between operators when working together.

## **MACHINE PREPARATION**

- Do not tamper with or defeat safety devices. Keep guards, shields and interlock safety devices in place and in proper working condition. They are for your protection.
- Keep all fasteners such as nuts, bolts and pins well secured.
- Verify that machine and attachments, if any, are in good operating condition.

## OPERATING SAFELY

### IN GENERAL

- Use extra care when loading or unloading the machine into a trailer or truck.
- Do not run the engine in an enclosed area where dangerous carbon monoxide fumes can collect. Carbon monoxide, a colorless, odorless, and extremely dangerous gas, can cause unconsciousness or death.
- Never leave a running machine unattended. Always stop engine when leaving the operator position.
- Do not put hands and feet near rotating parts or in the openings. Contact with moving parts can amputate fingers, hands and feet.
- Never attempt to unclog the intake or discharge openings, remove or empty the bag, or inspect or repair the machine while it is running. Shut off the engine, wait for all moving parts to come to a complete stop and disconnect the spark plug wire.
- Keep all guards and safety devices in place and operating properly.
- Never operate without vacuum bag and discharge chute properly attached to the machine.
- Never operate without either the inlet nozzle or optional hose assembly attached properly to the machine.
- Muffler and engine become hot and can cause a burn. Do not touch.
- Never pick up or carry the machine while the engine and parts are moving.
- Do not operate in poor lighting.
- If the machine strikes a foreign object or is it should start making unusual noises or vibration, immediately shut the engine off. Allow all parts to come to a complete stop, and disconnect the spark plug. Inspect for damage or loose parts. Repair or replace any damaged parts.

### STARTING

- Start according to instructions in this manual or on the machine.
- Do not change engine governor settings or overspeed the engine. Operating the engine at excessive speed can increase the hazard of personal injury.



### OPERATING ON SLOPES

- Slopes are a major factor in loss of control and tip over accidents that sometimes lead to severe injury or death. All slopes require extra caution.
- Before operating on slopes, evaluate the risks involved.
- Do not operate on slopes if uneasy or uncertain. Ultimate responsibility for safe operation on slopes rests with the operator.
- Do not operate on steep slopes. Poor footing could cause a slip and fall accident.
- Keep all movement on slopes slow and gradual.
- Do not operate near drop-offs, ditches or embankments. You could lose your footing or balance.
- Do not turn on slopes unless necessary, and then turn slowly and downhill when possible.
- Be sure of your footing on slopes.
- Watch for holes, ruts, bumps, rocks and other hidden objects. Uneven terrain could cause a slip and fall accident. Tall grass can hide objects.

### INTERRUPTING OPERATION

- Before leaving the operator's position park on level ground and shut the engine off.
- Before refueling, stop the engine, and wait until the fan stops moving:
- Before clearing blockages, checking, cleaning or working on the machine, stop the engine, disconnect the spark plug wire(s) and allow for the fan to come to a complete stop.
- If the machine begins to vibrate abnormally: shut off machine immediately. Inspect and have repairs made as needed before restarting; except for repairs or adjustments as specifically noted, such as for carburetor adjustment, where the engine must be running. Keep hands and feet clear of moving parts in these circumstances.
- Reduce the throttle setting during engine shut-down and, if the engine is provided with a shut-off valve, turn the fuel off at the conclusion of operation.

### Fan

- Do not straighten or weld fan. Replace damaged or failed fan.

### WARNING



## Fuel

- Petrol (gasoline) and diesel fuels are flammable; petrol (gasoline) vapors are explosive. Use extra care when handling.
- Store only in containers specifically designed for fuel.
- When refueling or checking fuel level:
  - Stop the engine and allow to cool;
  - Do not smoke;
  - Refuel outdoors only;
  - Use a funnel;
  - Do not overfill;
  - If fuel is spilled, do not attempt to start the engine until the spill is cleaned up and vapors have cleared.
  - Replace caps on fuel containers and tanks securely.



Sparks from static electricity can start fires or cause explosions. Flowing fuel can generate static electricity. To prevent static electricity sparks:

- Keep containers electrically grounded. Do not fill containers in a vehicle or on a truck or trailer bed with a plastic liner. Fill containers on the ground away from the vehicle.
- When practical, remove petrol (gasoline) powered equipment from the truck or trailer and refuel it on the ground. If equipment must be refueled on the truck or trailer, refuel from a portable container rather than a dispenser nozzle.
- Keep the dispenser nozzle in contact with the rim of the fuel tank or container opening until fueling is complete. Do not use a nozzle lock-open device.
- If petrol (fuel) is spilled on clothing change it immediately.

## MAINTENANCE SAFETY

- Do not put hands and feet near rotating parts or in the openings. Contact with moving parts can amputate fingers, hands and feet.
- Never attempt to unclog the intake or discharge openings, remove or empty the bag, or inspect or repair the machine while it is running. Shut off the engine, wait for all moving parts to come to a complete stop and disconnect the spark plug wire.

- Never tamper or remove safety devices. Check their proper operation regularly.
- Before cleaning, repairing, or inspecting, stop the engine, wait for all moving parts to stop, and disconnect the spark plug.
- Maintain machine according to manufacturer's schedule and instructions for maximum safety and best results.
- Park machine on level ground.
- Never allow untrained personnel to service machine.
- Guards should only be removed by a qualified technician for maintenance or service.
- Disconnect spark plug wire(s) before doing any maintenance.
- Replace parts if worn, damaged or faulty. For best results, always replace with parts recommended by the manufacturer.
- Do not dismantle the machine without releasing or restraining forces which may cause parts to move suddenly.
- Provide adequate support, e.g. jack stands for lifted machine or parts if working beneath.
- Do not put hands or feet near or under rotating parts.
- Clean up spilled oil or fuel thoroughly.
- Replace faulty mufflers.
- To reduce fire hazards, keep the engine, muffler, and fuel storage area free of grass, leaves, debris buildup or grease.

## STORAGE SAFETY

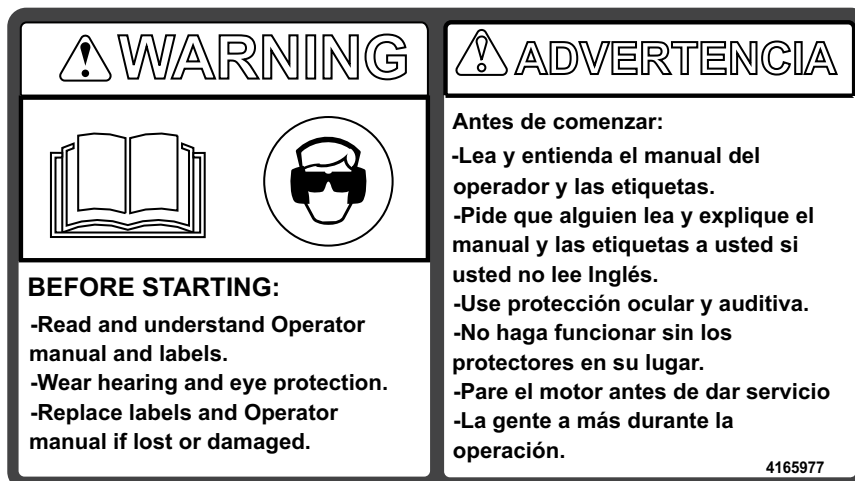
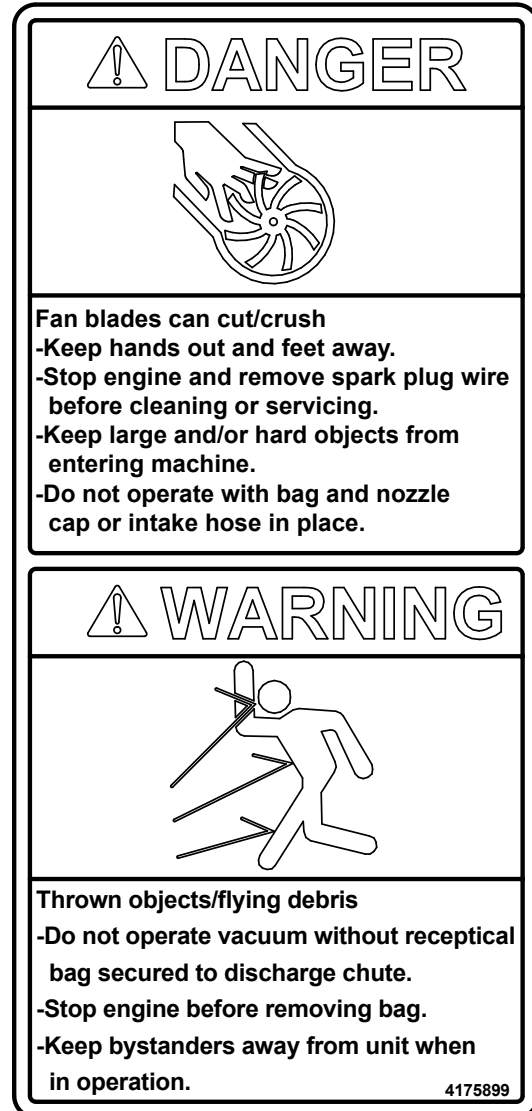
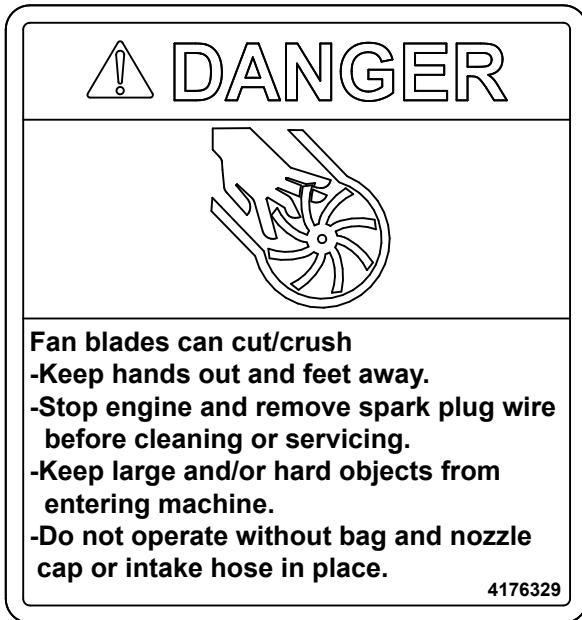
- Stop the engine and allow to cool before storing.
- Drain the fuel tank outdoors only.
- Store fuel in an approved container in a cool, dry place.
- Keep the machine and fuel containers in a locked storage place to prevent tampering and to keep children from playing with them.
- Do not store the machine or fuel container near an open flame, spark, or appliance, such as a water heater, or a pilot light.
- Keep petrol (gasoline) storage area free of grass, leaves and excessive grease to reduce fire hazard.
- Clean grass and debris from cutting units, drives, mufflers and engine to help prevent fires.

# LABELS

# LITTLE WONDER PROVAC SI

## SAFETY DECALS

An important part of the safety system incorporated in the vacuum is the warning labels found on the vacuum. Replace labels if damaged or illegible.





### **WARNING**

Do not use this product if it is not completely assembled or if any parts appear to be missing or damaged. Use of a product that is not properly and completely assembled could result in serious personal injury.

Do not attempt to modify this product or create accessories not recommended for use with this product. Any such alteration or modification is misuse and could result in a hazardous condition leading to possible serious personal injury.

Do not attempt to lift the unit by the handle assembly. If it is necessary to lift the vacuum, always grasp by the frame. Use proper lifting techniques to avoid back injury.

The vacuum and the packaging are not children's toys! Children must not play with plastic bags, sheets and small parts. There is a danger of choking and suffocation!

### TOOLS REQUIRED

- Adjustable wrench
- 9/16" wrench
- 3/8" wrench
- 5/16" nut driver or ratchet with 5/16" socket
- Side cutting pliers or wire cutters/heavy duty scissors

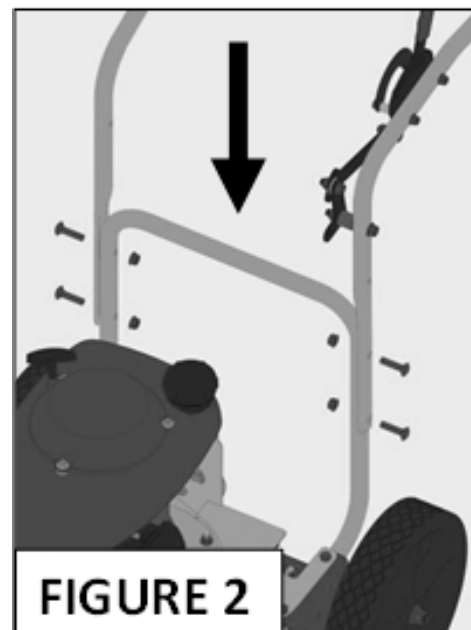
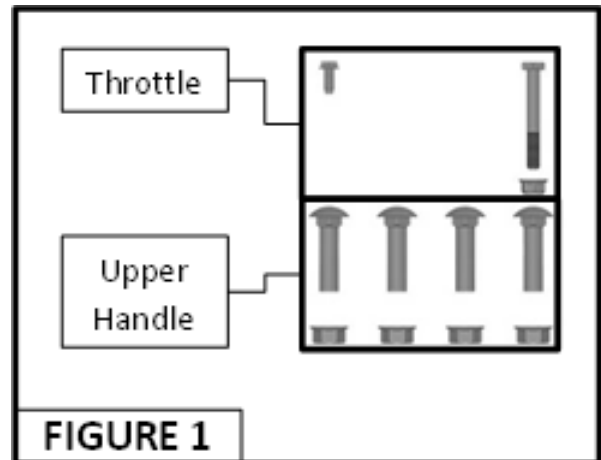
1. Open the box and remove:

- Upper Handle
- Cardboard Insert
- Filter bag
- Exhaust Nozzle
- Nozzle Endcap
- Manual
- Hardware Bag

2. Cut the back of the box open. Use lower handle to roll unit out of the box.

3. Locate hardware package. **Figure 1**

4. Connect the upper handle to lower handle using four 3/8-16 carriage bolts and four 3/8-16 nuts from the hardware bag. Tighten with the adjustable wrench and the 9/16" wrench. Tighten the nuts securely but not so much as to crush the tube. **Figure 2**



# SET-UP INSTRUCTIONS

---

---

---

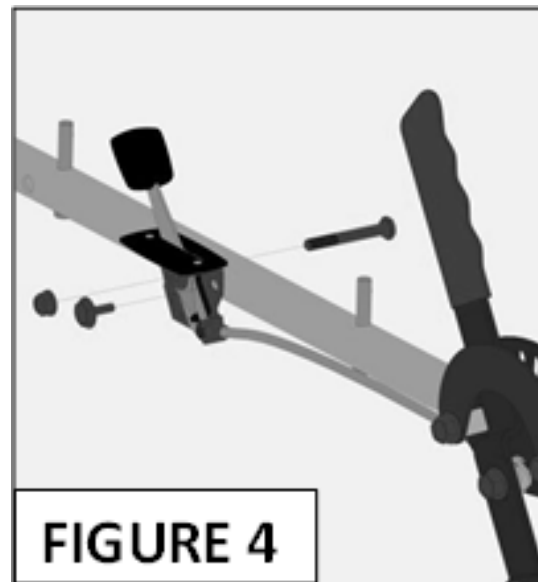
# LITTLE WONDER PROVAC SI

5. Using the upper handle tilt the unit back and rest the Intake Nozzle on a block 2-3 inches off the ground. Using the adjustable 9/16" wrench, remove the hardware that is already fastened to the short free end of the Bell Crank. With the plastic washer in the middle, fasten the long connector bracket to the bell crank as shown in **Figure 3**. Tilt the unit back, remove the block and return the unit to the upright position on the ground. **Ensure the connection is free enough to rotate. Do NOT overtighten.**



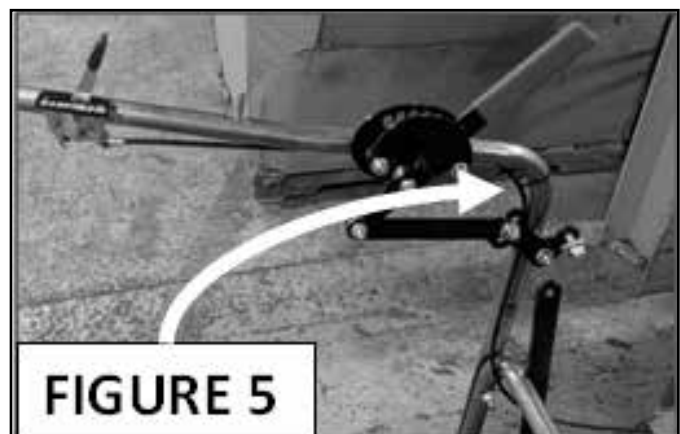
**FIGURE 3**

6. The throttle cable comes pre-assembled to the engine. Free the control end of the throttle and route it underneath the lower handle and to the inside of the height adjust linkage. Insert the 1/4-20 bolt first through the handle, then the center hole of the throttle as shown in **Figure 4**. Using the adjustable wrench and the 3/8" wrench, loosely fasten with the 1/4-20 nut.



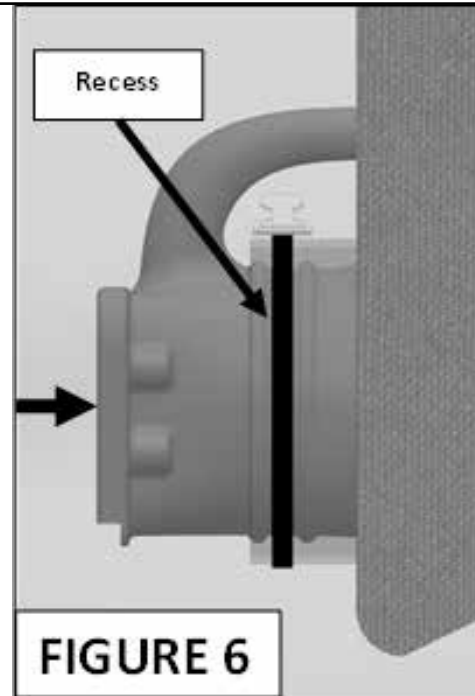
**FIGURE 4**

7. With the 5/16 nut driver, fasten the throttle to the upper handle using the 10-32 thread forming screw as shown in **Figure 4**. Now, fully tighten the 1/4-20 nut securely but not so much as to crush the tube. Secure the throttle cable to the upper handle with a cable tie as shown in **Figure 5**. Trim off the excess cable with side cutting pliers.

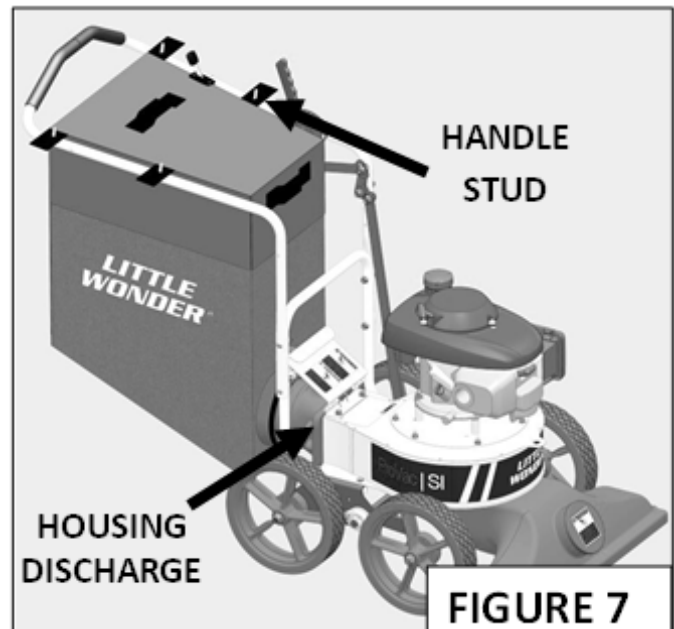


**FIGURE 5**

- On the bag, loosen the strap located on the front panel cutout. Insert the oval end of the exhaust nozzle into the bag as shown in **Figure 6**. Tighten the bag strap around the exhaust nozzle ensuring the strap falls in the recess as noted in **Figure 6**.



- Place bag mounting tabs onto the handle studs, then lift the discharge cover and slide the exhaust nozzle onto the housing as shown in **Figure 7**.
- Place the nozzle endcap over the hose inlet on the nozzle as shown in **Figure 8**. Ensure the edges of the nozzle endcap wrap all the way around the nozzle with the warning label in the proper orientation.
- Fill the engine with oil to the level indicated on the dipstick. Fill the fuel tank with clean fresh regular grade unleaded gasoline. See engine manufacturer's manual for more details. Reconnect the spark plug.



## THROTTLE HONDA(A1) (w/ over travel choke)

Controls the engine speed and the amount of air being vacuumed. Stops the engine when moved to the extreme slow position. Close the choke when moved to the extreme fast position.

## THROTTLE BRIGGS (A2)

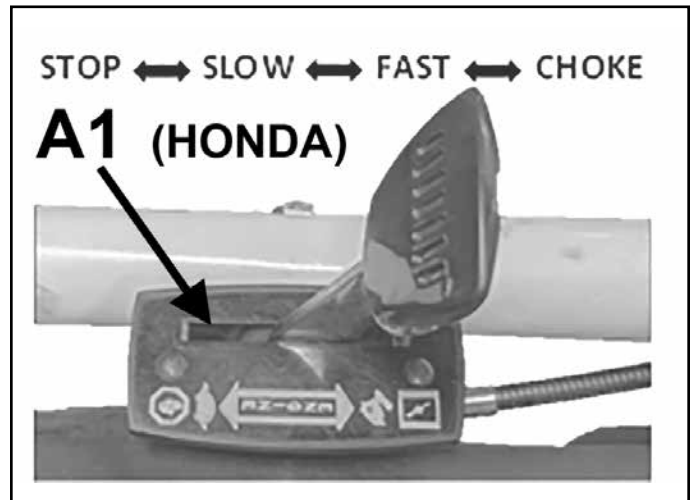
Controls the engine speed and the amount of air being vacuumed. Stops the engine when moved to the extreme slow position.

## MANUAL CHOKE - BRIGGS ONLY (E)

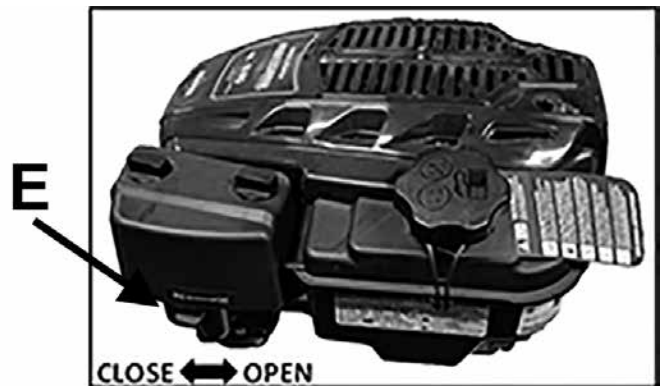
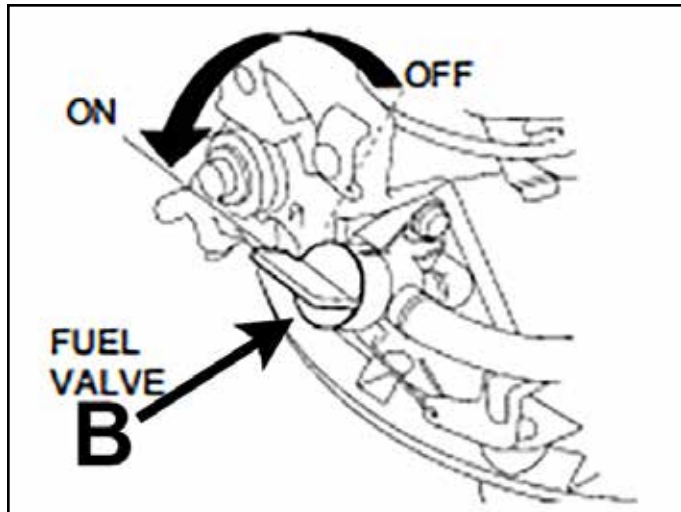
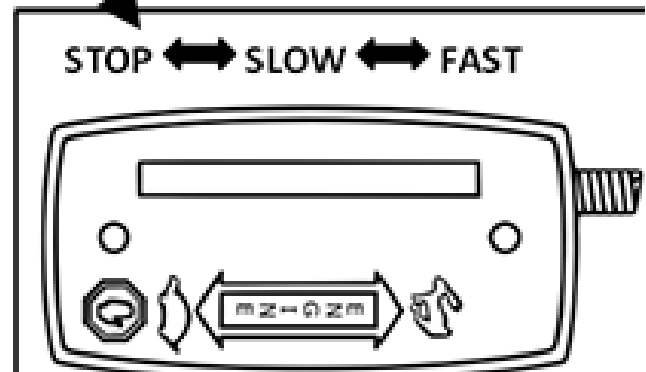
Controls the choke. (Open /Close)

## FUEL SHUT OFF (B)

Move to the "OFF" position to shut off the fuel whenever transporting the machine by trailer or truck or during storage. Move to the "ON" position before starting the engine.



## A2 (BRIGGS)

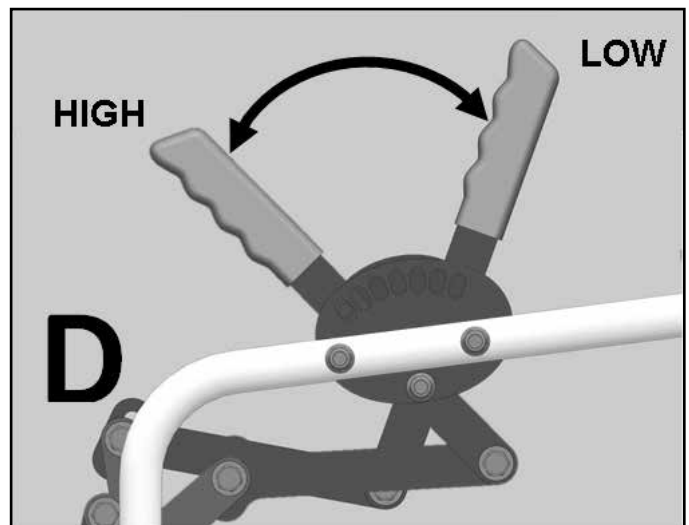
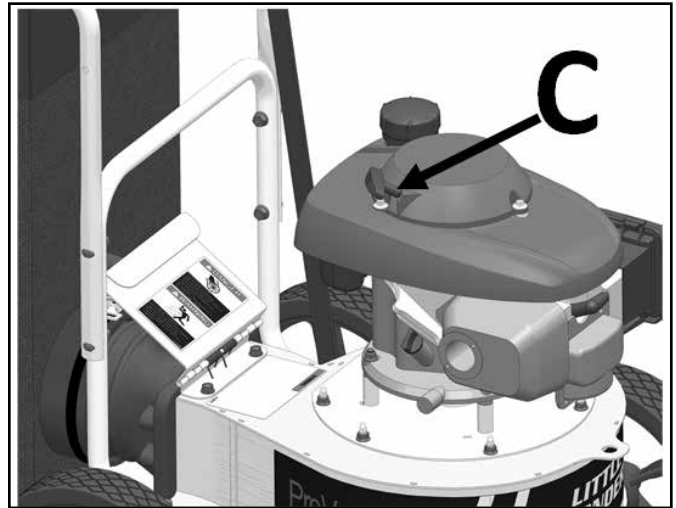


### RECOIL STARTER HANDLE (C)

Pull to turn over the engine to start it. Guide the recoil starter handle back to the rope guide for best rope life. Allowing the rope to snap back will shorten rope life.

### HEIGHT ADJUSTMENT LEVEL(D)

Adjusts nozzle height by positioning the stud into one of the adjustment slots. Pushing away from the operator position will raise the nozzle. Downwards pressure on the upper handle D will allow for easy height adjustment.



## **⚠ WARNING**

In some countries regulations define at what time of the day and on what special days products are allowed to be used and what restrictions apply! Ask your local agencies for all detailed information and observe regulations!

## **BEFORE STARTING THE ENGINE**

### **⚠ WARNING**

1. Read the Operator Manual and Engine Manual. Become familiar with the controls, how each functions, and what it operates.
2. Check the engine oil level and add if necessary. See engine manual for details.
3. Fill the fuel tank with good quality, clean, unleaded regular gasoline (petrol). Use a funnel to avoid spilling. See engine manual for details.
4. Check that the bag is securely attached to the discharge chute and handle posts and the bag is secured shut.
5. Check that the discharge chute is secured to the housing outlet.

## **STARTING THE ENGINE**

1. Open the fuel valve (if equipped) and ensure the spark plug is connected.
2. For cold starts, move the throttle to the forward most position to close the choke. For engines without an "over travel" choke on the throttle, close the choke manually on the engine. See engine manual for more details.

NOTE: Choke is usually unnecessary to start a warm engine. Too much choke may flood the engine and cause hard starting.

3. For warm starts, move the throttle to midway between the fast and slow positions.
4. Pull the recoil starter slowly until resistance is felt, then pull firmly to start the engine.

5. After the engine starts and begins to warm, slowly pull the throttle lever rearwards until the throttle lever falls into the next detent. The unit is now in the maximum running position of the throttle and the choke is backed off. If not equipped with an "over travel" choke, back the choke off manually on the engine. See engine manual for details. The engine should run smoothly.
6. Set the desired engine speed with the throttle. The engine should run smoothly and with excessive vibration.

## **VACUUMING**

### **⚠ WARNING**

Before performing any type of maintenance on the machine, stop engine and wait for all parts to stop moving. Failure to follow this instruction could result in personal injury or property damage.

1. To adjust the nozzle to the selected height:

With one hand, lean the unit back slightly to take some weight off the front wheels. Press inward on the height adjust handle and push forward to raise the nozzle and backward to lower the nozzle. When you are satisfied with the height, allow the protruding height adjust pin to fall into the nearest slot.

2. The debris bag is full when the unit begins to lean backwards, or suction performance is insufficient.

### **Examples of items suitable to be vacuumed:**

- leaves
- dry mulch
- small twigs
- litter
- acorns
- thistles
- seed pods
- small cans and bottles
- grass clippings
- paper products
- straw
- styrofoam products
- wood chips

### **Examples of items/areas to avoid.**

- excessively wet surfaces and debris
- rocks or gravel surfaces
- large hard objects
- long fibrous materials (vines, ropes, string, etc.)
- glass
- highly flammable materials
- hot objects (e.g. barbecue coals)

Do not force anything in to the vacuum. If an item is too large to fit, pick it up separately.

## STOPPING THE ENGINE

1. Turn off the engine by moving the throttle to the "STOP" position. Let the engine and fan come to a complete stop.

### **WARNING**

**Before performing any type of maintenance on the machine, stop engine and wait for all parts to stop moving. Failure to follow this instruction could result in personal injury or property damage.**

## EMPTY DEBRIS BAG

1. Turn off the engine by moving the throttle to the "STOP" position. Let the engine and fan come to a complete stop before removing the debris bag.
2. Roll vacuum to the unloading location.
3. Lift up on the handle of the discharge chute to remove it from the housing.
4. With one hand, tilt the unit backwards until the bag is resting on the ground. Then remove the bag from the studs located on the handle bars. Avoid dragging the bag to prolong the bag life.
5. Unzip the rear panel of the bag, hold the discharge chute handle, and the top front handle to easily unload the contents.
6. Close the zipper on the back panel, place the top straps onto the handle posts and connect the discharge chute to the discharge port.

### **WARNING**

**Before performing any type of maintenance on the machine, stop engine, wait for all parts to stop moving and disconnect spark plug. Failure to follow this instruction could result in personal injury or property damage.**

## REMOVING BLOCKAGES / CLOGS

1. Turn off the engine by moving the throttle to the "STOP" position. Let the engine and fan come to a complete stop.
2. Remove spark plug wire.
3. Remove bag and/or hose and clear the blockage. Wear gloves as there may be sharp materials in the clog.
4. Reinstall the bag and/or hose.
5. Reconnect spark plug wire.

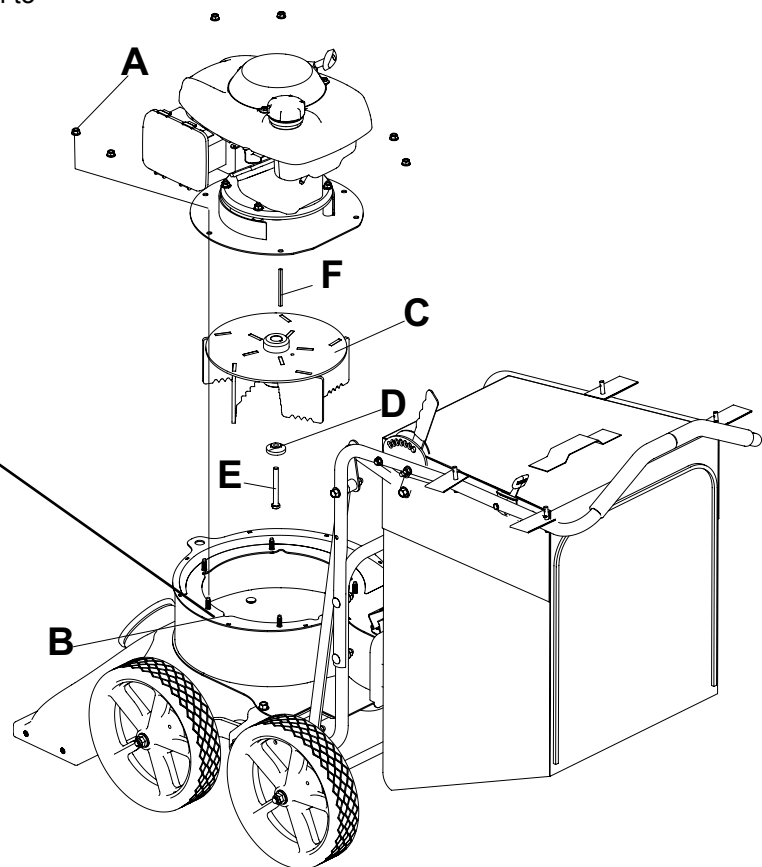
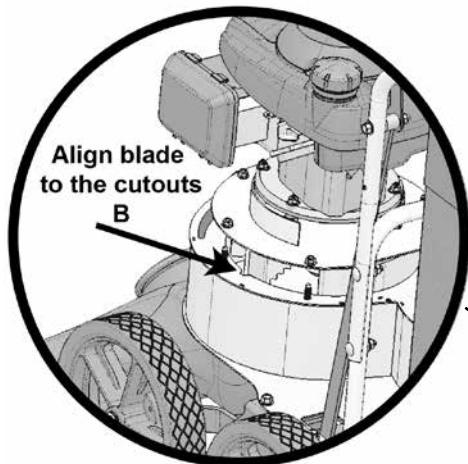
## ⚠ WARNING

Before performing any type of maintenance on the machine, stop engine, wait for all parts to stop moving and disconnect spark plug. Failure to follow this instruction could result in personal injury or property damage.

## FAN REMOVAL AND INSTALLATION

1. Remove spark plug wire from spark plug and turn fuel shutoff to the "OFF" position.
2. Remove throttle cable from the engine.
3. Remove the engine plate mount nuts **A**. (6 places)
4. With the engine mount plate loose, reach through the housing outlet, and rotate the fan so the blades align with the cutouts on the top of the housing **B** and remove engine. The engine mount plate, fan **C**, plug **D** and bolt **E** will be removed as one piece.
5. Keep the engine in the upright position and clamp one of the blades in a vise. NOTE: Failure to do this could cause fuel to leak out of the vented cap and/or oil to leak into the cylinder.

6. Remove bolt **E** and plug **D** to remove fan **C** from the engine crankshaft. The fan has a relief cut into the hub for use with standard fan pullers. The bolt that secures the fan to the engine crankshaft can be used as an extender if your fan puller does not have the necessary length.
7. If during removal the key **F** was removed from the keyway, reinstall by applying a few drops of Loctite 380 instant adhesive (Black Max P/N 38050) on the key, and place in keyway of the shaft. (Cure time is approximately 1 minute).
8. Install the new fan **C** (4174994) by sliding on to engine shaft aligning the keyway to the key. Apply Loctite 263 to the length of the threads on new bolt **E** (64123-338 for Honda and 64123-306 for Briggs) and a using plug **D** 4175419 attach fan to shaft. Ensure a secure fit upon re-assembling. Torque bolt to 57-63 ft.-lbs.
9. After installation, wait 24 hours before starting machine. Loctite must fully cure before the machine is used.





### WARNING

Before performing any type of maintenance on the machine, stop engine, wait for all parts to stop moving and disconnect spark plug. Failure to follow this instruction could result in personal injury or property damage.

### MAINTENANCE INSTRUCTIONS

Stop engine, remove the spark plug wire and allow for the fan to come to a complete stop before performing any maintenance.

Keep the engine's cooling air intake clear of debris for best performance.

Keep all hardware tight.

Clean air cleaner daily. See engine manual for details.

Check oil level daily. Top off as needed.

After each use, run the vacuum with an empty bag to clear any material that may remain in the housing. The bag may also be cleaned by shaking or washing under still or low pressure water. DO NOT use a high pressure washer to clean the debris bag.

Check bag strap for tightness.

Change engine oil after the first 5 hours of operation. Then change as recommended by the engine manufacturer.

1. Remove drain plug and drain oil while engine is warm.
2. Replace drain plug, remove fill plug and fill with new oil. Little Wonder recommends SAE 30 oil whenever applicable.
3. Start and run engine for 30 seconds. Stop engine.
4. Wait 30 seconds, then re-check oil level.
5. Top off if necessary. See engine manual for details.

### STORAGE

### WARNING

To prevent possible explosion or ignition of vaporized fuel, do not store equipment with fuel in tank or carburetor in an enclosure with open flame (for example, a furnace or water heater pilot).

**Before the equipment is put into storage for any period exceeding 30 days, the following steps should be completed.**

1. Drain all fuel from the fuel tank and fuel lines.
2. Start the engine and run until all the fuel is used from the carburetor float bowl and the engine stops.
3. While the engine is still warm, drain the crankcase oil and replace with the proper weight oil corresponding to the season the equipment will be next used.
4. Remove the spark plug and squirt a small amount of engine oil into the cylinder. Slowly pull the starter a few times to distribute oil in the cylinder and reinstall the spark plug.
5. Check oil level again and top off if necessary. See engine manual for details.

**To put the equipment into service after an extended period of storage.**

1. Check for loose parts and tighten if necessary.
2. Fill the fuel tank and then check the engine oil level. Top off if necessary. See engine manuals for details.
3. Start the engine and check for fuel leaks. Repair any leaks before operating the unit.

## ⚠ WARNING

**Only perform the steps described within these instructions! All further inspection, maintenance and repair work must be performed by an authorized service center or a similarly qualified specialist if you cannot solve the problem yourself! For assistance contact the Little Wonder Customer Service Center at 1-877-596-6337**

IF THESE SOLUTIONS DO NOT SOLVE THE PROBLEM, CONTACT YOUR AUTHORIZED SERVICING DEALER.

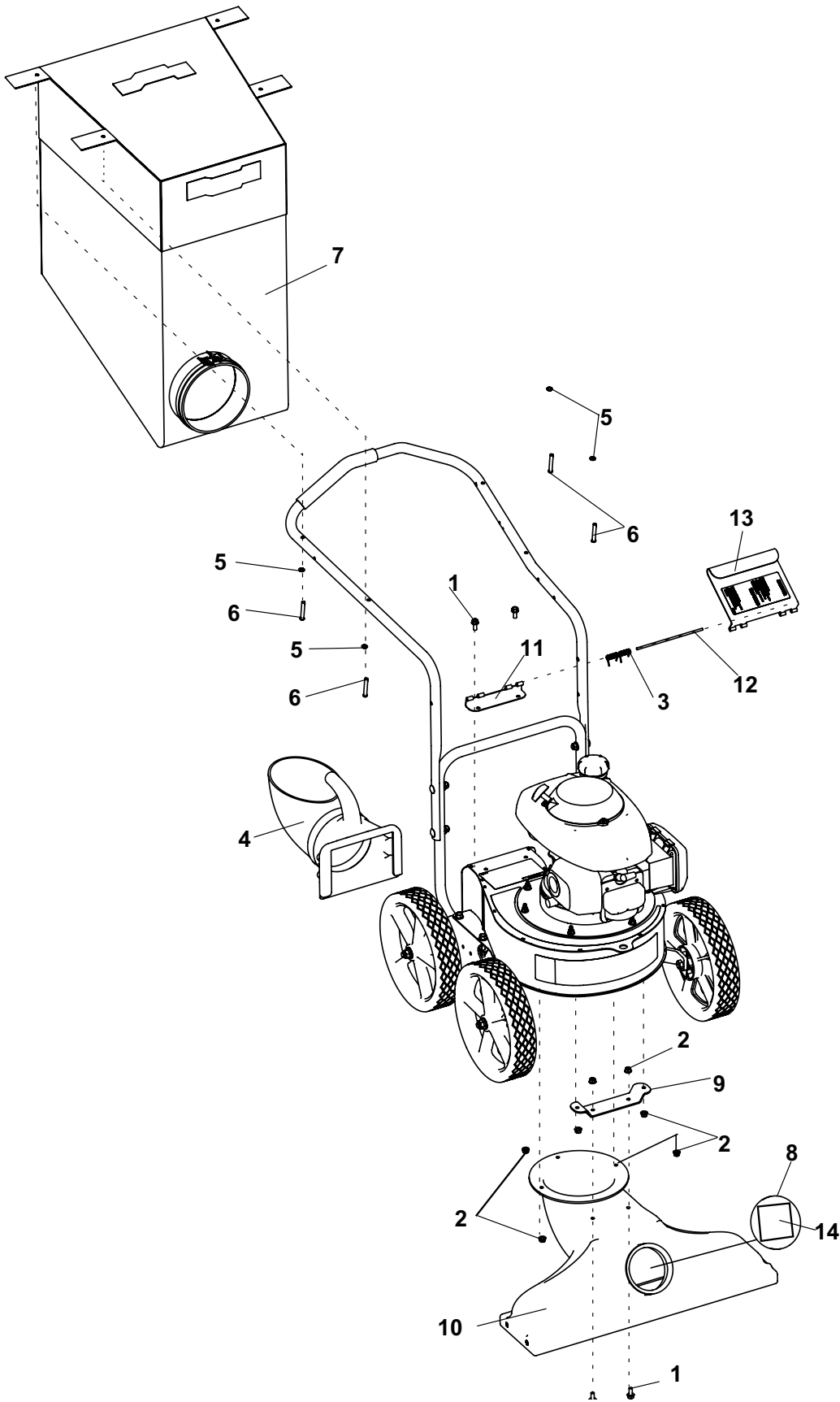
PROBLEM	POSSIBLE CAUSE	ACTION
Excessive vibration <b>Stop engine immediately and disconnect the spark plug wire</b>	<ul style="list-style-type: none"> <li>- Clogged fan</li> <li>- Loose engine mount</li> <li>- Loose fan bolt</li> <li>- Damaged or worn fan</li> </ul>	<ul style="list-style-type: none"> <li>- Clean fan with scraper to remove debris</li> <li>- Tighten all nuts and bolts</li> <li>- Tighten fan bolt</li> <li>- Replace fan. See fan removal and installation section for instruction.</li> </ul>
Engine fails to start	<ul style="list-style-type: none"> <li>- No fuel in tank</li> <li>- Spark plug shorted or fouled</li> <li>- Spark plug is broken (cracked porcelain or electrodes broken)</li> <li>- Ignition lead wire shorted, broken, or disconnected from spark plug</li> <li>- Ignition inoperative</li> </ul>	<ul style="list-style-type: none"> <li>- Fill Tank</li> <li>- Replace spark plug</li> <li>- Replace spark plug</li> <li>- Replace lead wire or attach to spark plug.</li> <li>- Contact authorized service center</li> </ul>
Engine hard to start	<ul style="list-style-type: none"> <li>- Water in gasoline or stale fuel mixture</li> <li>- Engine is under or over choked</li> <li>- Weak spark at spark plug</li> </ul>	<ul style="list-style-type: none"> <li>- Drain entire fuel system and refill with fresh fuel.</li> <li>- Adjust choke as necessary</li> <li>- Contact authorized service center</li> </ul>
Engine lacks power	<ul style="list-style-type: none"> <li>- Dirty air filter</li> </ul>	<ul style="list-style-type: none"> <li>- Clean or replace air filter</li> </ul>
Inadequate suction <b>Stop engine immediately and disconnect the spark plug wire</b>	<ul style="list-style-type: none"> <li>- Full debris bag</li> <li>- Clogged debris bag</li> <li>- Clogged fan/nozzle/discharge</li> </ul>	<ul style="list-style-type: none"> <li>- Empty debris bag</li> <li>- Empty debris bag and shake out or clean in still or low pressure water.</li> <li>- Clean fan with scraper/remove clogs from nozzle &amp; discharge</li> </ul>
Excessive dust	<ul style="list-style-type: none"> <li>- Very dry environment/conditions</li> </ul>	<ul style="list-style-type: none"> <li>- Switch to a felt bag (P/N 4175874)</li> </ul>
Frequent need to clean felt bag	<ul style="list-style-type: none"> <li>- Moderate to wet environment/`conditions</li> </ul>	<ul style="list-style-type: none"> <li>- Switch to a mesh bag (P/N 4175049)</li> </ul>



# BAGGER & NOZZLE ASSY

# LITTLE WONDER PROVAC SI

FIGURE 1



# LITTLE WONDER PROVAC SI

# BAGGER & NOZZLE ASSY

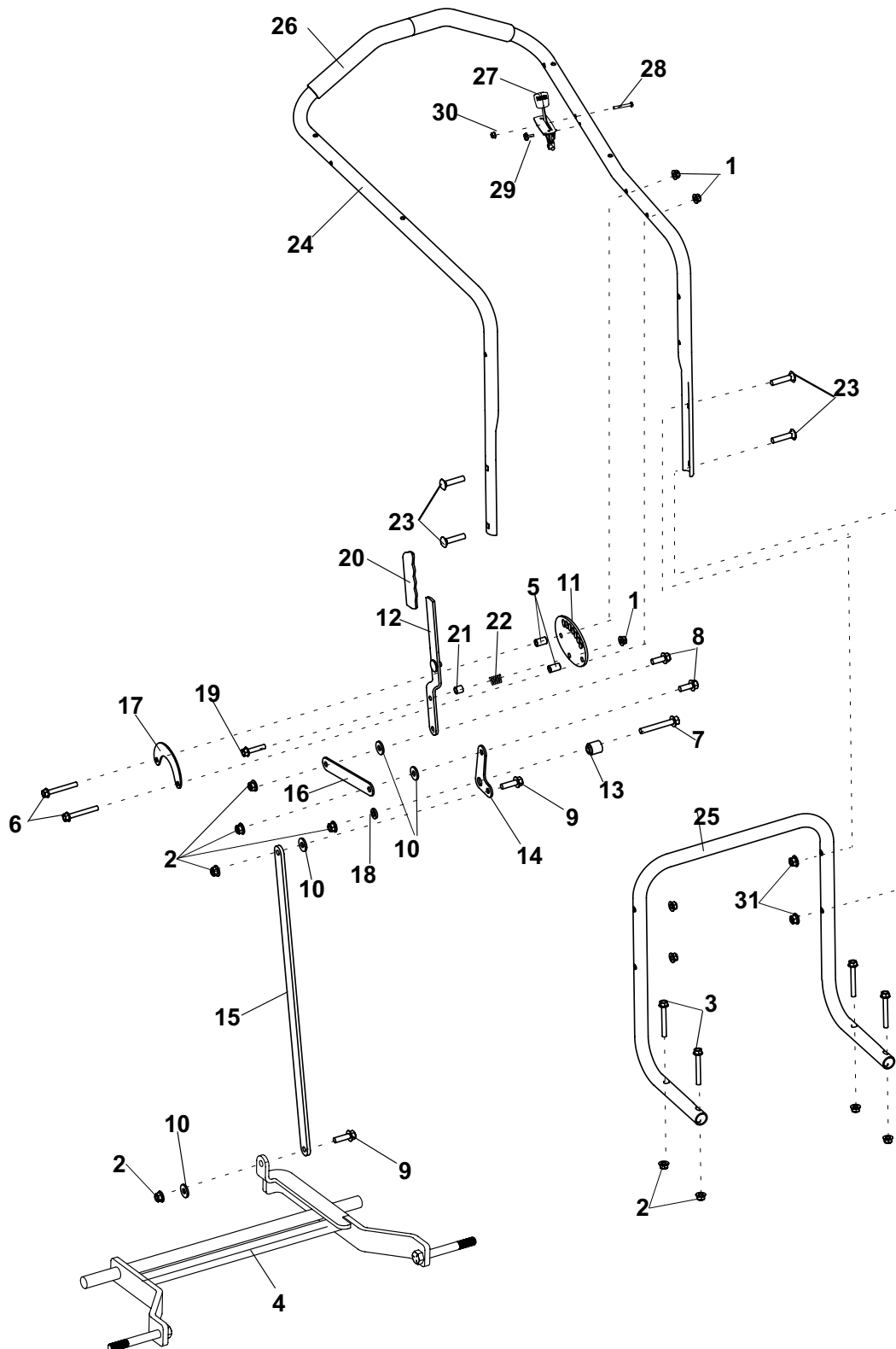
## FIGURE 1

ITEM	PART NO.	DESCRIPTION	QTY	ITEM	PART NO.	DESCRIPTION	QTY
1	64262-006	BLT-FLG HD 5/16-18 3/4	4				
2	64268-02	NUT-FL NYLON LOCK 5/16-18	12				
3	4175183	SPRING, CHUTE	2				
4	4174977	NOZZLE, EXHAUST"	1				
5	4175283	PUSHNUT, STUD RETAINER 5/16	4				
6	4175284	CLEVIS PIN, 5/16 X 2-1/8	4				
7	4175049	BAG, FILTER MESH	1				
		USED ON 5511-02-01					
	4175874	BAG, FILTER FELT	1				
		USED ON 5511-02-12					
8	4176530	S-NOZZLE, CAP	1				
		INCLUDES ITEM 14					
9	4175113.10	BRACKET, NOZZLE	1				
10	4175003	NOZZLE, INTAKE	1				
11	4175178.10	COVER, CHUTE BASE	1				
12	4175180	COVER, CHUTE ROD	1				
13	4176176	S-DISCHARGE CHUTE COVER	1				
14	4176329	LABEL-FAN WARNING	1				

# HANDLE ASSEMBLY

# LITTLE WONDER PROVAC SI

FIGURE 2



# LITTLE WONDER PROVAC SI

# HANDLE ASSEMBLY

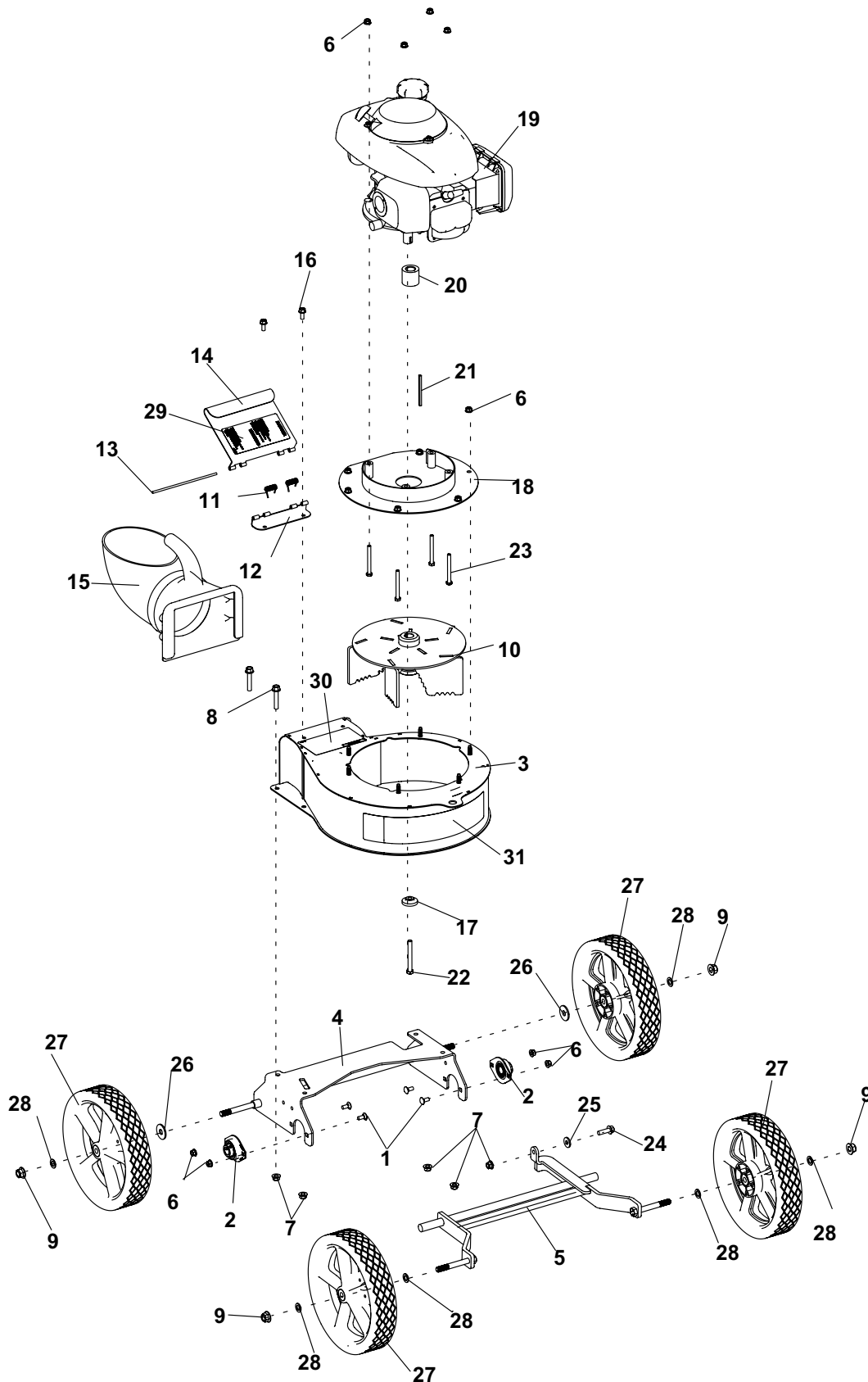
## FIGURE 2

ITEM	PART NO.	DESCRIPTION	QTY	ITEM	PART NO.	DESCRIPTION	QTY
1	64268-02	NUT-FL NYLON LOCK 5/16-18	3				
2	64268-03	NUT-FL NYLON LOCK 3/8-16	13				
3	64123-67	BLT-HEX 3/8-16X2	4				
4	4174981.17	WLDMNT-FRONT AXLE	1				
5	C400429	TINE ENGAGEMENT BUSHING	2				
6	64262-024	BLT-FLG HD 5/16-18 X 2-1/2	2				
7	64262-020	BLT-FLG HD 3/8-16 X 2-3/4	1				
8	64262-011	BLT-FLG HD 3/8-16 X 1	2				
9	64262-012	BLT-FLG HD 3/8-16 X 1-1/4	2				
10	4172961	WASHER-UHMW PE 3/8" x 1"	4				
11	4174989.7	PLATE, HEIGHT ADJUST SELECTOR	1				
12	4174992.7	LEVER, HEIGHT ADJUST	1				
13	4168839	STANDOFF TRACTION	1				
14	4168848.7	BELLCRANK - PROVAC SP	1				
15	4174991.7	LINK, HEIGHT CONNECTOR LWR	1				
16	4174990.7	LINKT, HEIGHT CONNECTOR UPPR	1				
17	4175131.7	PLATE, HEIGHT ADJUST BACKING	1				
18	64163-31	WSHR-24/64 X 1 X 12	1				
19	64262-009	BLT-FLG HD 5/16-18 X 1-1/2	1				
20	227	GRIP-LEVER	1				
21	C400501	3/8" BUSHING SPACER	1				
22	C500065	SPRING, COMPRESSION	1				
23	64018-49	BLT-CRG 3/8-16 X 1-1/2	4				
24	4175006.10	HANDLE, UPPER	1				
25	4174997.10	HANDLE, LOWER	1				
26	4175627	GRIP, UPPER HANDLE	2				
27	4176351	CABLE-THROTTLE, 1.75 THROW	1				
		USED ON HONDA ONLY					
	4176406	CABLE-THROTTLE, 1.62 FS	1				
		USED ON BRIGGS ONLY					
28	64123-283	BLT-HEX 1/4-20X1-3/4	1				
29	64197-008	BLT-TDFM 10-32X1/2	1				
30	679466001	NUT-HEX 1/4-20 NYLON CAP	1				
31	64141-4	NUT-WLF 3/8-16	4				

# ENGINE BODY ASSEMBLY

# LITTLE WONDER PROVAC SI

FIGURE 3





# LITTLE WONDER PROVAC SI

# ENGINE BODY ASSEMBLY

## FIGURE 3

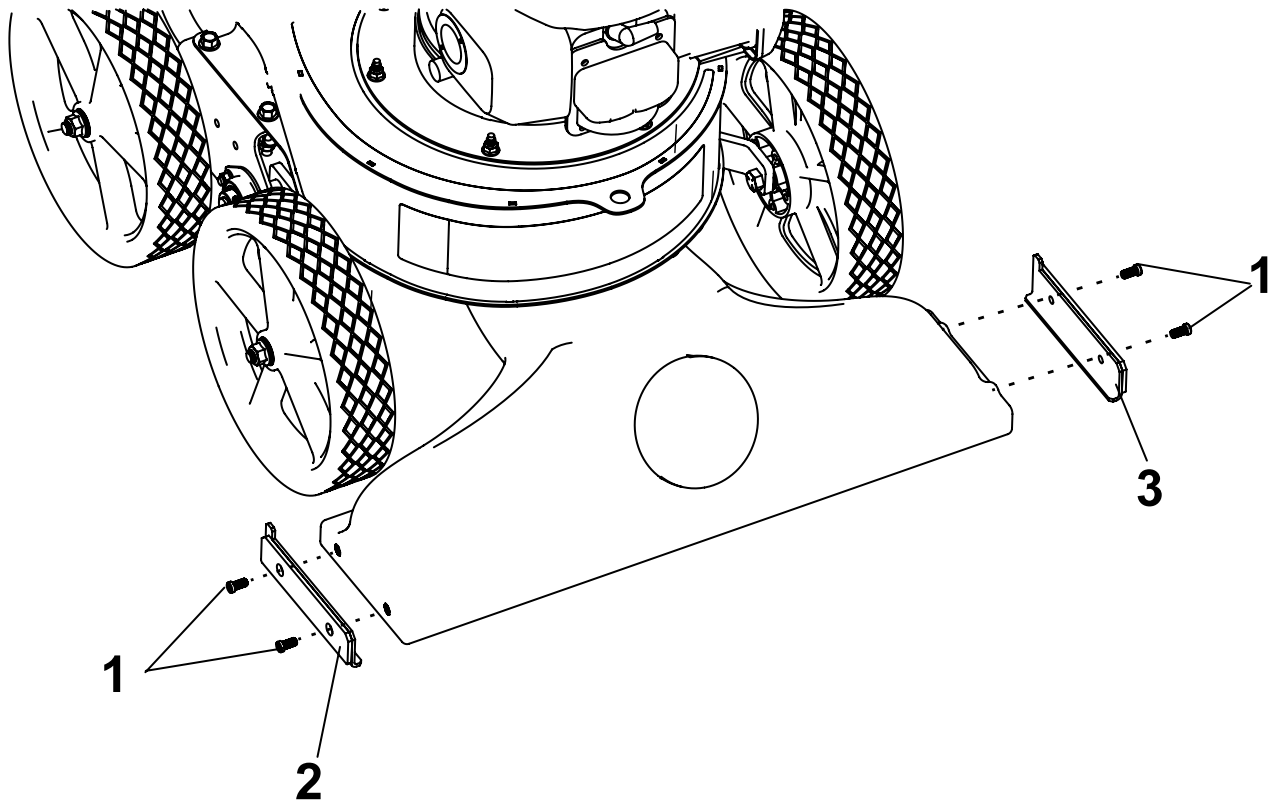
ITEM	PART NO.	DESCRIPTION	QTY	ITEM	PART NO.	DESCRIPTION	QTY
1	64018-9	BLT-CRG 5/16-18X3/4 G5	4	21	4176081	KEY, 3/16 SQR 3.25 LNG	1
2	4174972	BEARING, 3/4 FLUSH	2	22	64123-338	BLT-HEX 3/8-24 X 3-1/4 GR8 USED ON HONDA ONLY	1
3	4176175	S-HOUSING INCLUDES ITEMS 30-31	1	64123-341	BLT-HEX 3/8-24 X 3" GR8 USED ON BRIGGS ONLY	1	
4	4174978.17	WELDMENT, FRAME	1	23	64123-55	BLT-HEX 5/16-18X3 HONDA QTY OF 4 BRIGGS QTY OF 2	
5	4174981.17	WELDMENT, FRONT AXLE	1	64123-334	BLT-HEX 5/16-18 X 4-1/4" BRIGGS ONLY QTY 1		
6	64268-02	NUT-FL NYLON LOCK 5/16-18 BRIGGS USES 13 (QTY 3 FOR ENGIEN MOUNT)	14	24	64262-012	BLT-FLG HD 3/8-16 X 1-1/4	1
7	64268-03	NUT-FL NYLON LOCK 3/8-16	5	25	4172961	WASHER-UHMW PE 3/8" x 1"	1
8	64262-014	BLT-FLG HD 3/8-16 X 2	4	26	64163-125	WSHR-.56 ID X 1.37 OD X .09	2
9	64268-05	NUT-FL NYLON LOCK 1/2-13	4	27	4175007	WHEEL	4
10	4174994	WELDMENT, FAN	1	28	64163-67	WSHR-.516X1X12GA	6
11	4175183	SPRING, CHUTE	2	29	4175899	LABEL, BLADES/THROW WARNING	2
12	4175178.10	COVER, CHUTE BASE	1	30	4165977	LABEL - READ MANUAL/ SPANISH	1
13	4175180	COVER, CHUTE ROD	1	31	4175889	LABEL, WRAPPER	1
14	4176176	S-DISCHARGE CHUTE COVER INCLUDES ITEM 29	1				
15	4174977.10	NOZZLE, EXHAUST	1				
16	64262-006	BLT-FLG HD 5/16-18 X 3/4	2				
17	4175419	PLUG, ENGINE BOLT	1				
18	4174973.10	WELDMENT, HONDA ENGINE MNT USED ON HONDA ONLY	1				
	4176078.10	WELDMENT, BRIGGS ENGINE MNT USED ON BRIGGS ONLY	1				
19	4174993	ENGINE, HONDA GSV190	1				
	4176076	ENGINE, BRIGGS 190CC					
20	4175227	SPACER, HONDA PUSH USED ON HONDA ONLY	1				
	4176082	SPACER, BRIGGS PUSH USED ON BRIGGS ONLY	1				

**\*NOZZLE GUARD KIT (4176173)**

**LITTLE  
WONDER  
PROVAC SI**

**FIGURE 4**

**\*OPTIONAL NOZZLE  
GUARD KIT  
SOLD SEPERATELY**



# LITTLE WONDER PROVAC SI

## \*NOZZLE GUARD KIT (4176173)

FIGURE 4

ITEM	PART NO.	DESCRIPTION	QTY	ITEM	PART NO.	DESCRIPTION	QTY
1	4175792	BOLT, LW PROFILE 5/8-16 5/8 LNG	4				
2	4175791.7	WELDMENT, NOZZLE RIGHT GUARD	1				
3	4175790.7	WELDMENT, NOZZLE LEFT GUARD	1				

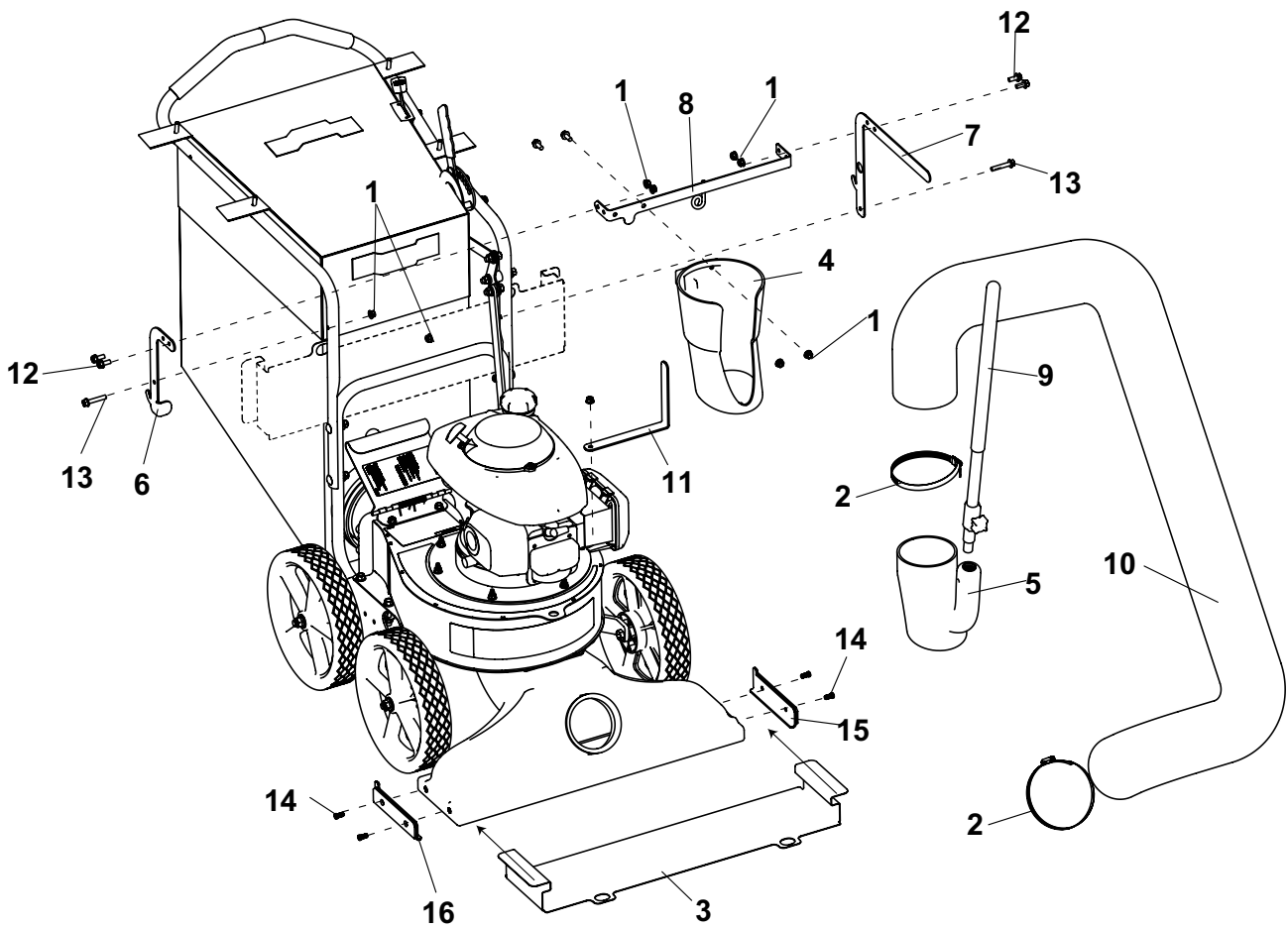
**\*OPTIONAL NOZZLE  
GUARD KIT  
SOLD SEPERATELY**

**\*PROVAC SI HOSE KIT (4176172)**

**LITTLE  
WONDER  
PROVAC SI**

**FIGURE 5**

**\*OPTIONAL HOSE KIT  
SOLD SEPERATELY**



# LITTLE WONDER PROVAC SI

**\*PROVAC SI HOSE KIT (4176172)**

**FIGURE 5**

ITEM	PART NO.	DESCRIPTION	QTY	ITEM	PART NO.	DESCRIPTION	QTY
1	64268-02	NUT-FL NYLON LOCK 5/16-18	8				
2	4175296	CLAMP, HOSE KIT	2				
3	4175204.7	PLATE, HOSE BOTTOM	1				
4	4175206	HOLDER, HOSE	1				
5	4175199	NOZZLE, HOSE	1				
6	4175291.10	BRACKET, RIGHT HOSE	1				
7	4175292.10	BRACKET, LEFT HOSE	1				
8	4175773.10	BRACKET, CENTER HOSE	1				
9	4175200	HANDLE, HOSE	1				
10	4175287	HOSE	1				
11	4175443.10	BRACKET, HOUSING HOSE	1				
12	64262-006	BLT-FLG HD 5/16-18 X 3/4	6				
13	64262-019	BLT-FLG HD 5/16-18 X 1-3/4	2				
14	4175792	LW PROFILE 5/8-16 5-8LNG	4				
15	4175790.7	WLDMNT, NOZZLE LEFT GUARD	1				
16	4175791.7	WELDMENT, NOZZLE RIGHT GUARD	1				

**\*OPTIONAL HOSE KIT  
SOLD SEPERATELY**



## 2 YEAR LIMITED SERVICE AND WARRANTY POLICY FOR LITTLE WONDER PROVAC SI

All Little Wonder products are warranted against defects in material and workmanship for a period of two (2) years from the date of purchase, under the following terms and conditions.

LITTLE WONDER will repair or replace, at its option, any part or parts of the product found to be defective in material or workmanship during the warranty period. Warranty repairs and replacements will be made without charge for parts or labor. All parts replaced under warranty will be considered as part of the original product, and any warranty on the replaced parts will expire coincident with the original product warranty. If you think your LITTLE WONDER Pro Vacuum is defective in material or workmanship, you must return it to a registered dealer with a valid sales receipt or to our factory at 1028 Street Rd., Southampton, PA 18966, USA. Transportation charges to ship your product to us or a registered dealer must be borne by you.

Engines for all gasoline powered products are warranted separately by the engine manufacturer. Therefore, there are no warranties made, expressed or implied, for engines for gasoline powered products by LITTLE WONDER.

LITTLE WONDER assumes no responsibility in the event that the product was not assembled or used in compliance with any assembly, care, safety or operating instructions contained in the Operator's Manual or information accompanying the product. This limited warranty does not cover damages or defects due to normal wear and tear, lack of reasonable and proper maintenance, failure to follow operating instructions or Operator's Manual, misuse, lack of proper storage or accidents, nor does it cover routine maintenance parts and service. This limited warranty does not cover any defects due to repairs or alterations made to the product made by anyone other than LITTLE WONDER or its registered dealers.

You must maintain your LITTLE WONDER product by following the maintenance procedures described in the operator's manual. Such routine maintenance, whether performed by you or a registered dealer, is at your expense.

LITTLE WONDER MAKES NO EXPRESS OR IMPLIED WARRANTIES REPRESENTATIONS OR PROMISES EXCEPT THOSE CONTAINED HEREIN. THERE ARE NO OTHER WARRANTIES, INCLUDING WARRANTIES OF MERCHANTABILITY AND FITNESS FOR A PARTICULAR PURPOSE. ALL WARRANTIES OTHER THAN THE EXPRESS WARRANTY SET FORTH ABOVE ARE SPECIFICALLY DISCLAIMED. THE DURATION OF ANY IMPLIED WARRANTY, INCLUDING MERCHANTABILITY AND FITNESS FOR A PARTICULAR PURPOSE, IS LIMITED TO THE DURATION OF THIS WRITTEN LIMITED WARRANTY. LITTLE WONDER DISCLAIMS ALL LIABILITY FOR INDIRECT, INCIDENTAL AND/OR CONSEQUENTIAL DAMAGES IN CONNECTION WITH THE USE OF THE LITTLE WONDER PRODUCTS COVERED BY THIS WARRANTY. SOME STATES DO NOT ALLOW LIMITATIONS ON HOW LONG AN IMPLIED WARRANTY LASTS AND/OR DO NOT ALLOW THE EXCLUSION OR LIMITATION OF INCIDENTAL OR CONSEQUENTIAL DAMAGES, SO THAT ABOVE LIMITATIONS AND EXCLUSIONS MAY NOT APPLY TO YOU. THIS WARRANTY GIVES YOU SPECIFIC LEGAL RIGHTS, AND YOU MAY ALSO HAVE OTHER RIGHTS WHICH VARY FROM STATE TO STATE.

**LITTLE WONDER**  
**SCHILLER GROUNDS CARE, INC.**  
**1028 STREET ROAD, P.O. BOX 38**  
**SOUTHAMPTON, PA 18966**  
**PHONE: 877-596-6337 • FAX: 215-357-8045**  
**877 - LWONDER**  
**[www.littlewonder.com](http://www.littlewonder.com)**