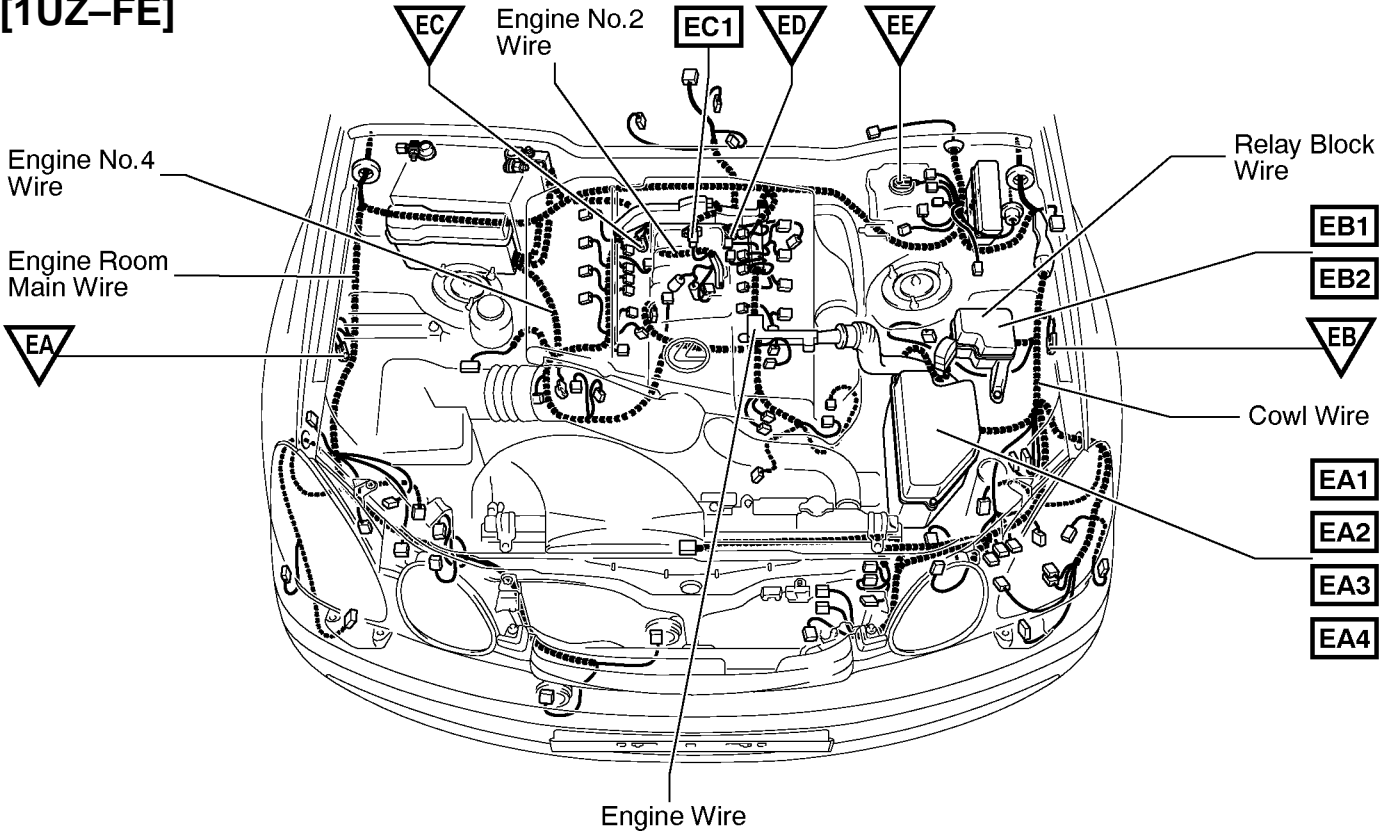


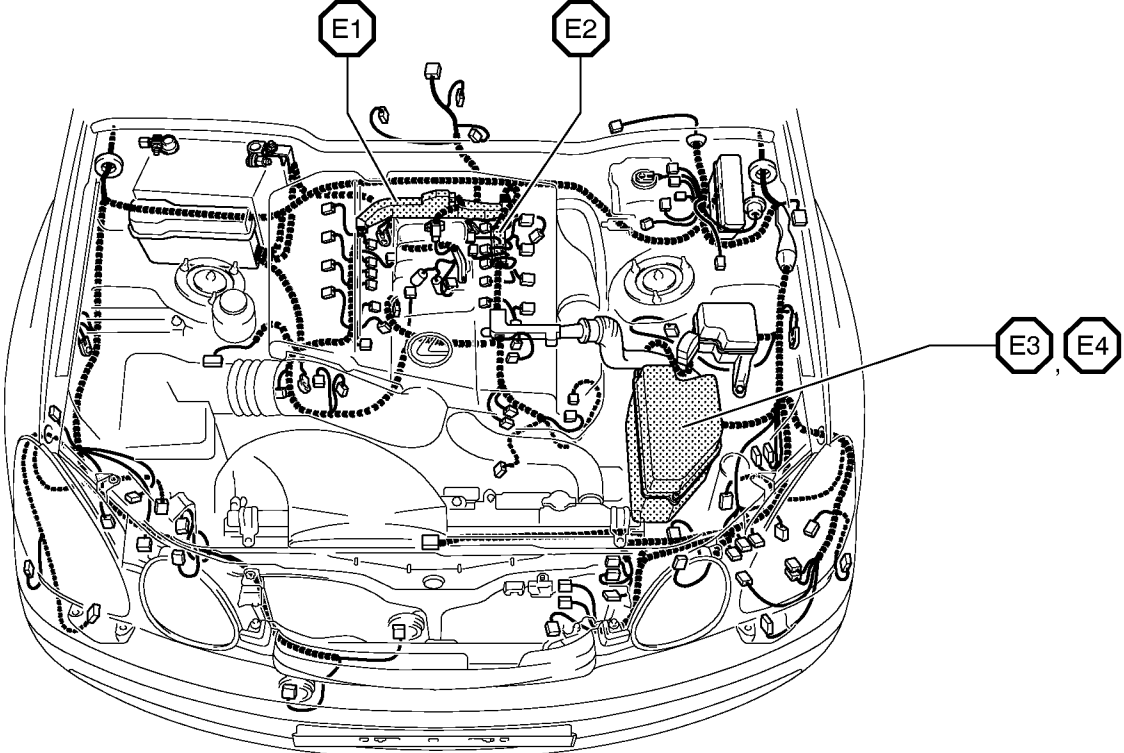
G ELECTRICAL WIRING ROUTING

□ : Location of Connector Joining Wire Harness and Wire Harness
 ▽ : Location of Ground Points

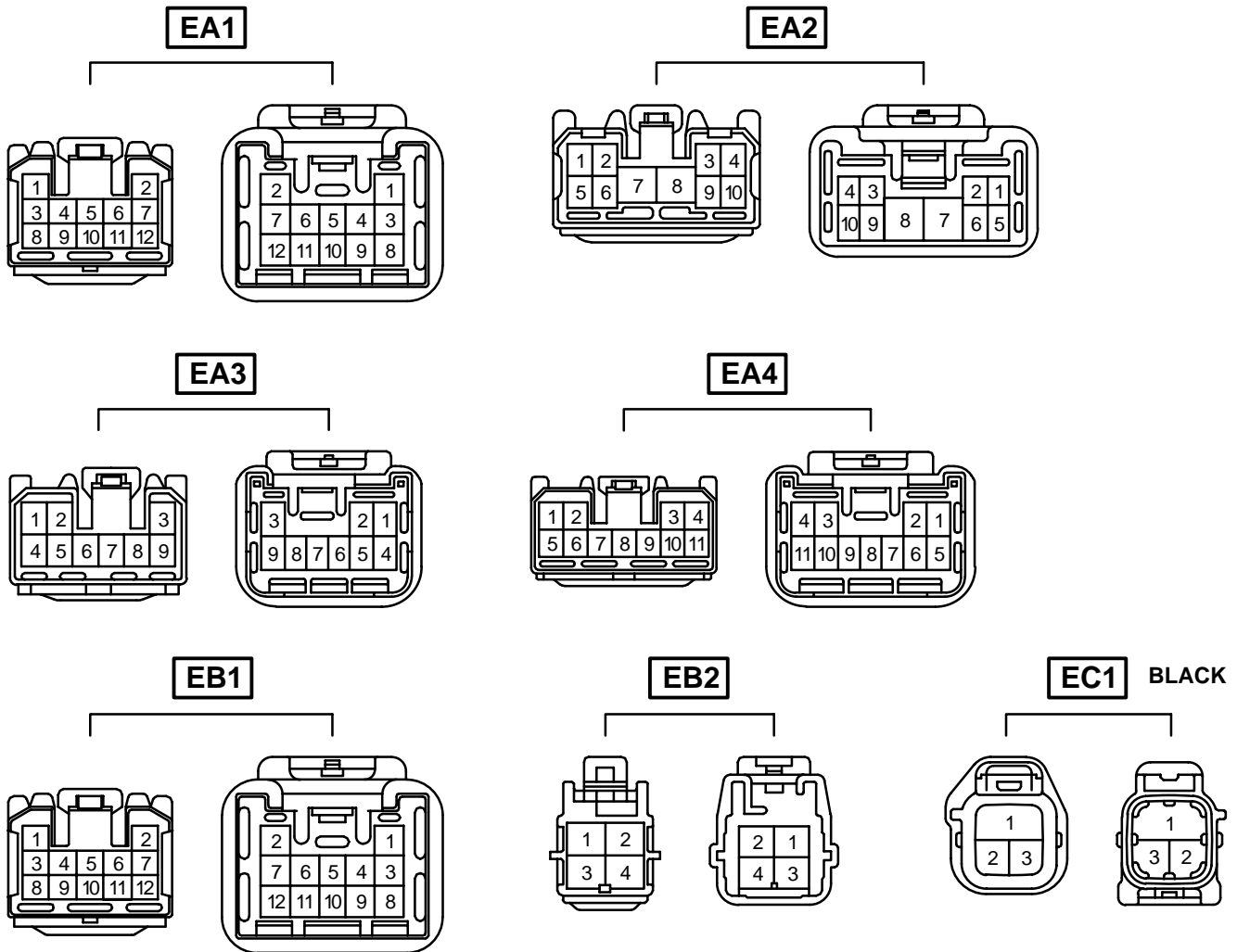
[1UZ-FE]



○ : Location of Splice Points



Connector Joining Wire Harness and Wire Harness



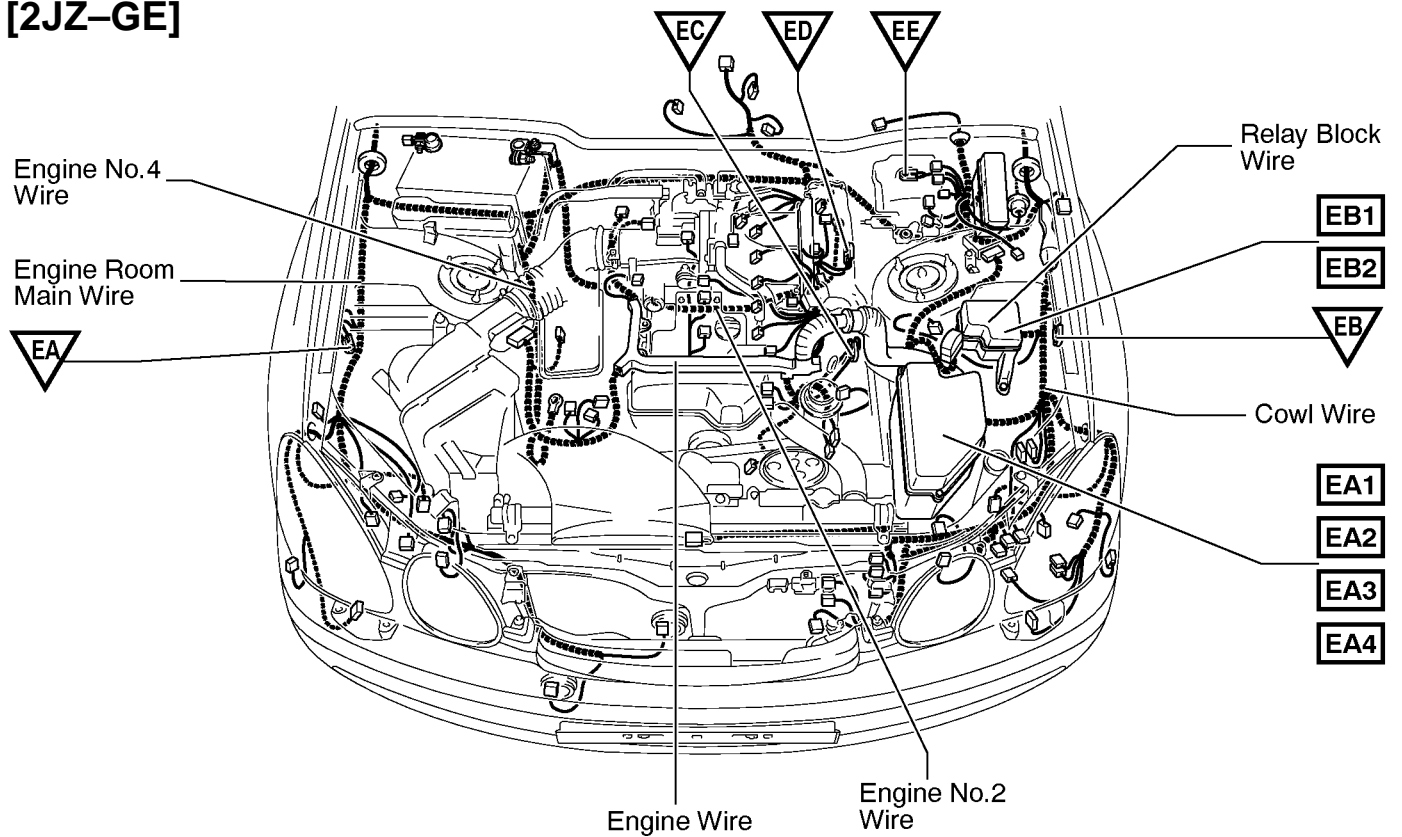
| Code | Joining Wire Harness and Wire Harness (Connector Location) |
|------|---|
| EA1 | Engine Wire and Cowl Wire (Inside of the ECU Box) |
| EA2 | |
| EA3 | |
| EA4 | |
| EB1 | Cowl Wire and Relay Block Wire (Inside of the Engine Room No.3 R/B) |
| EB2 | |
| EC1 | Engine No.2 Wire and Engine Wire (Near the Starter) |

G ELECTRICAL WIRING ROUTING

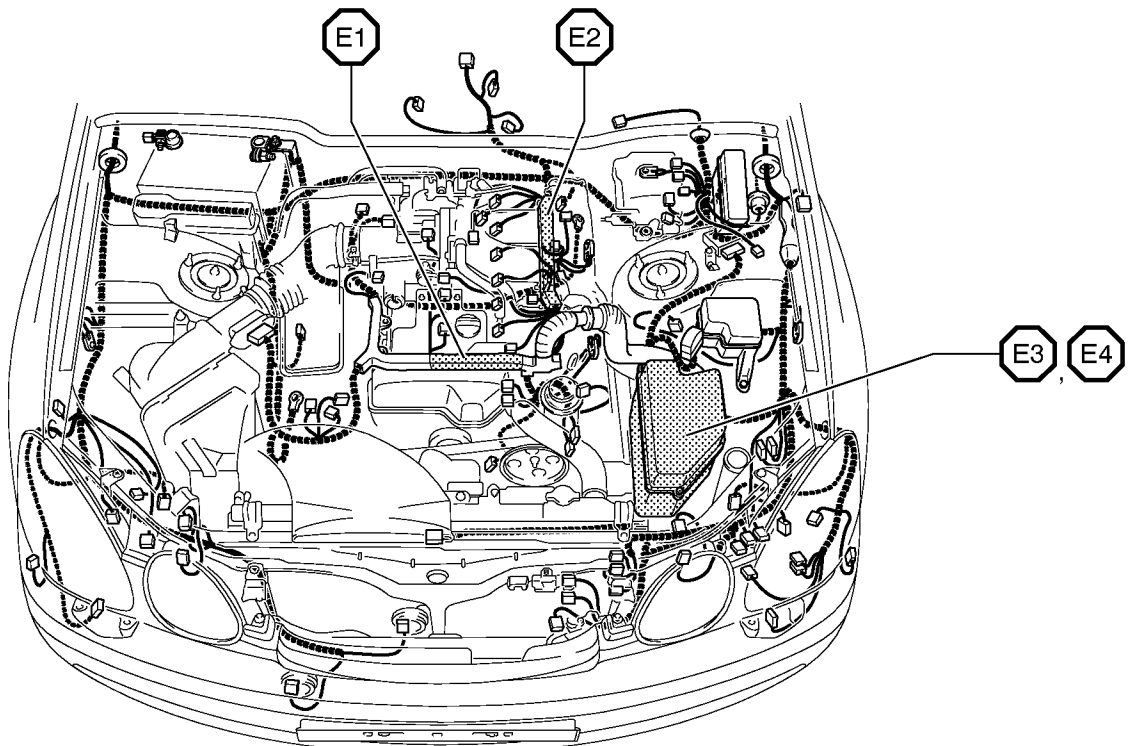
□ : Location of Connector Joining Wire Harness and Wire Harness

▽ : Location of Ground Points

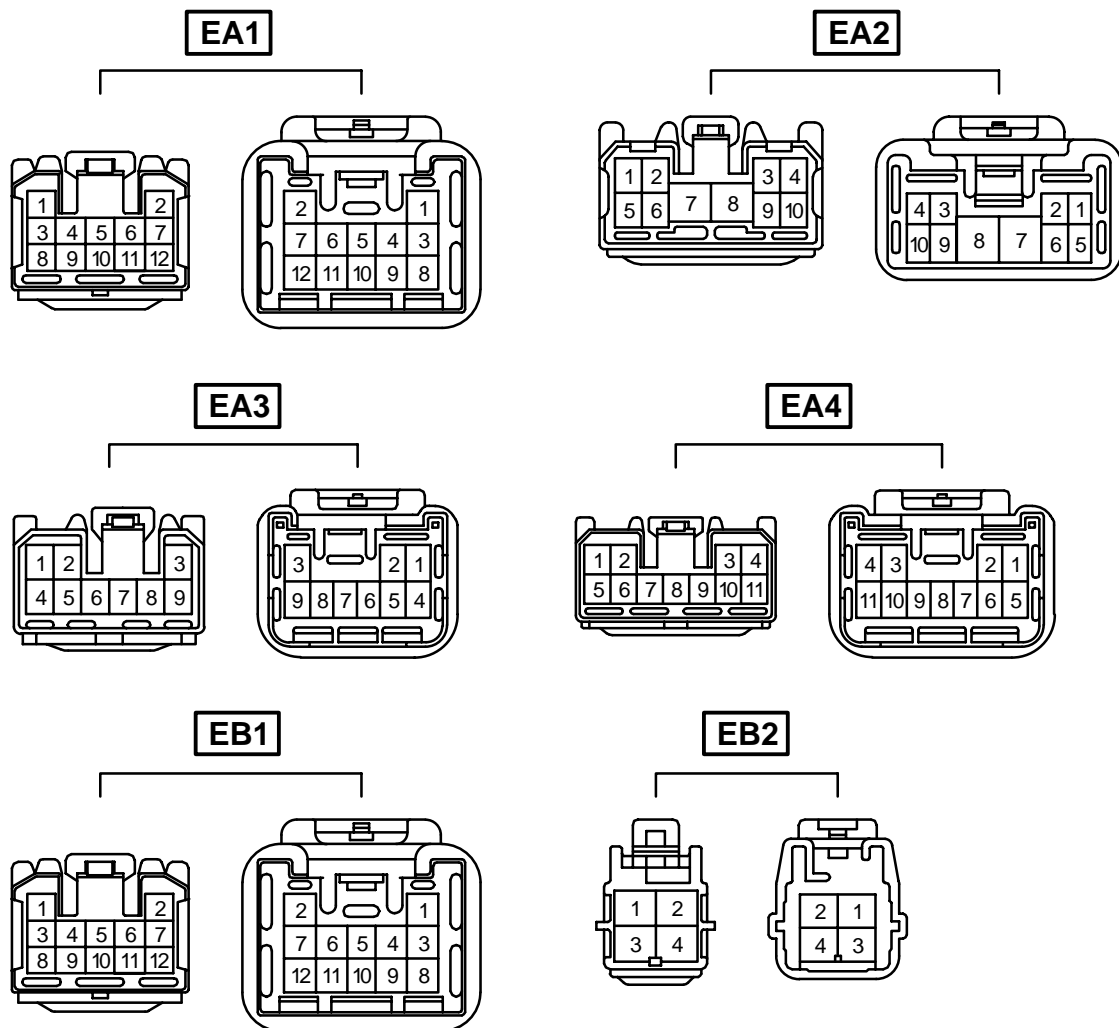
[2JZ-GE]



○ : Location of Splice Points



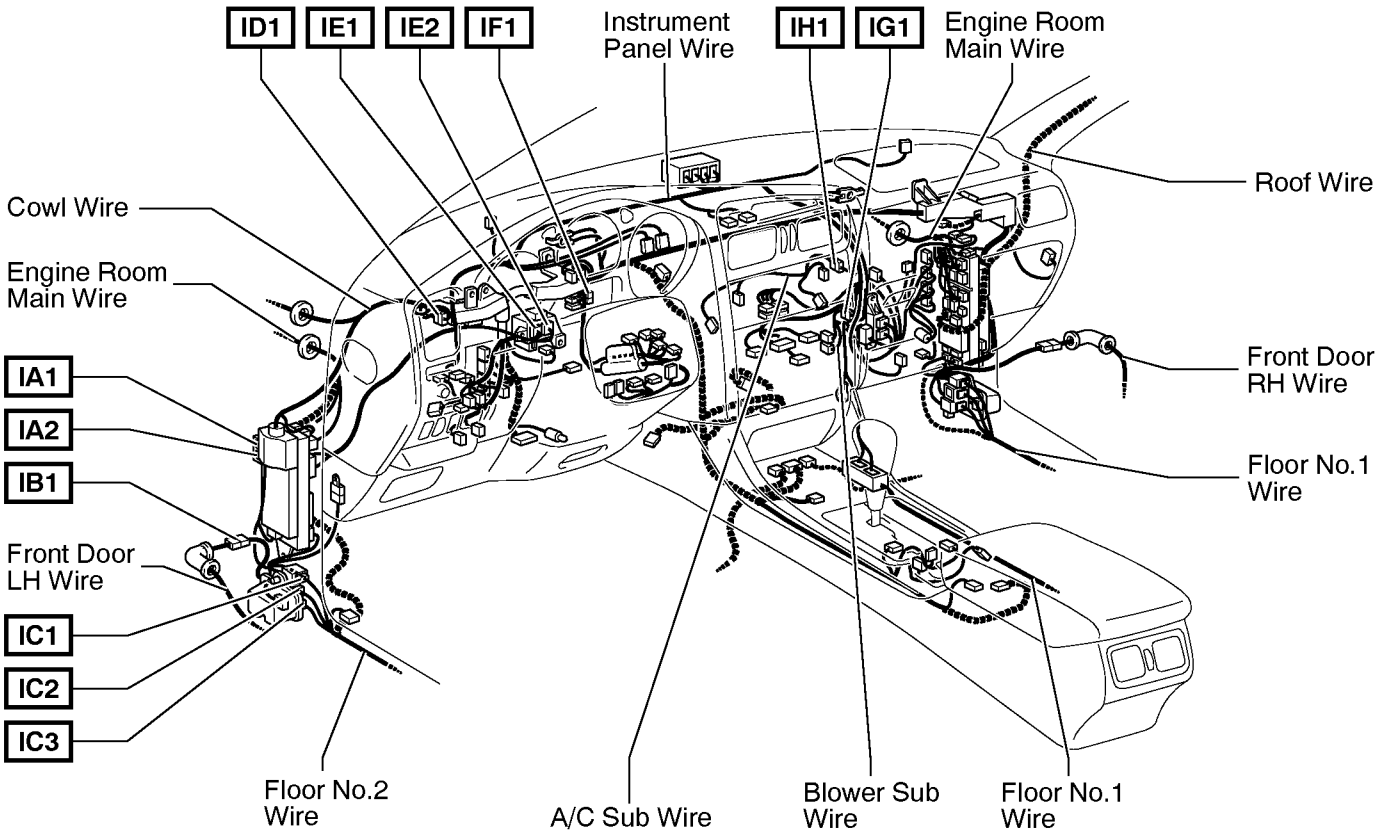
Connector Joining Wire Harness and Wire Harness



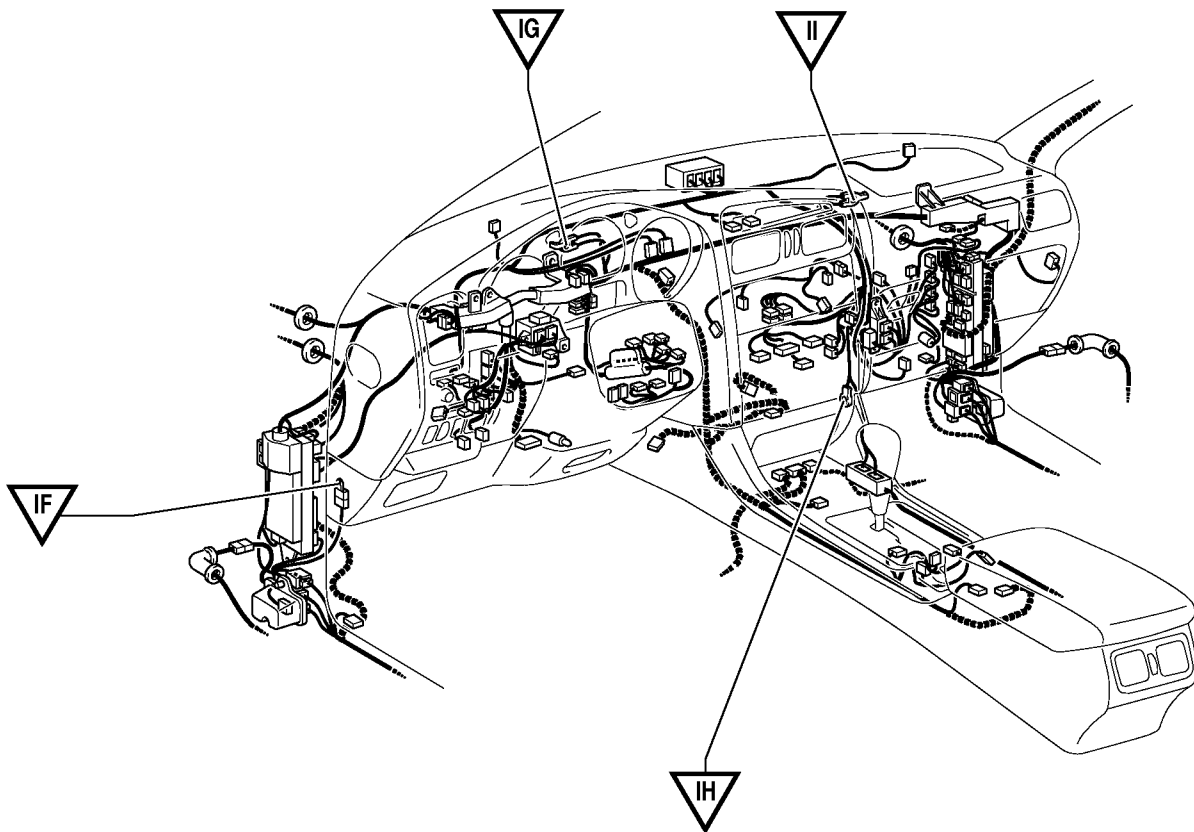
| Code | Joining Wire Harness and Wire Harness (Connector Location) |
|------|---|
| EA1 | Engine Wire and Cowl Wire (Inside of the ECU Box) |
| EA2 | |
| EA3 | |
| EA4 | |
| EB1 | Cowl Wire and Relay Block Wire (Inside of the Engine Room No.3 R/B) |
| EB2 | |

G ELECTRICAL WIRING ROUTING

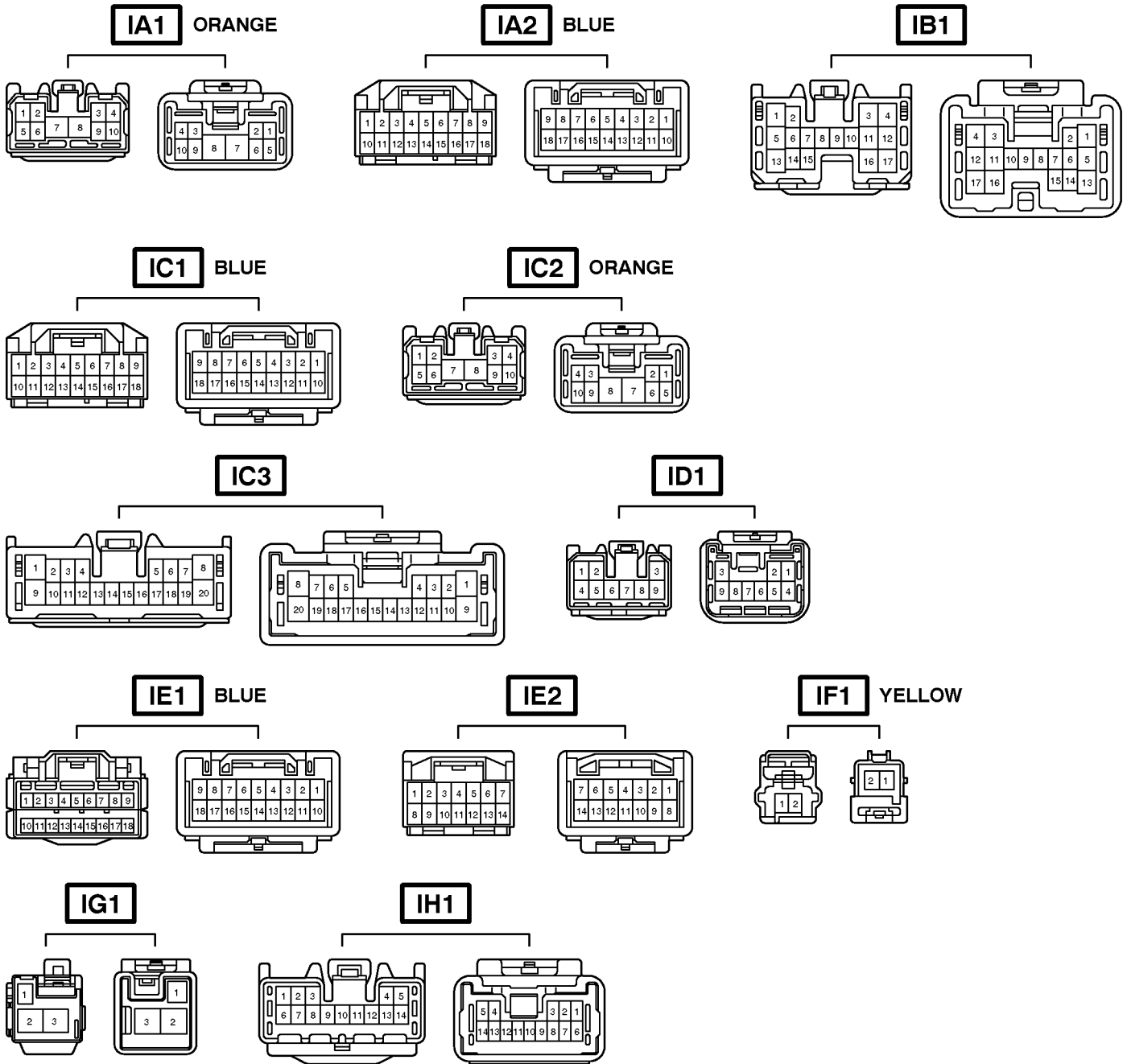
□ : Location of Connector Joining Wire Harness and Wire Harness



▽ : Location of Ground Points



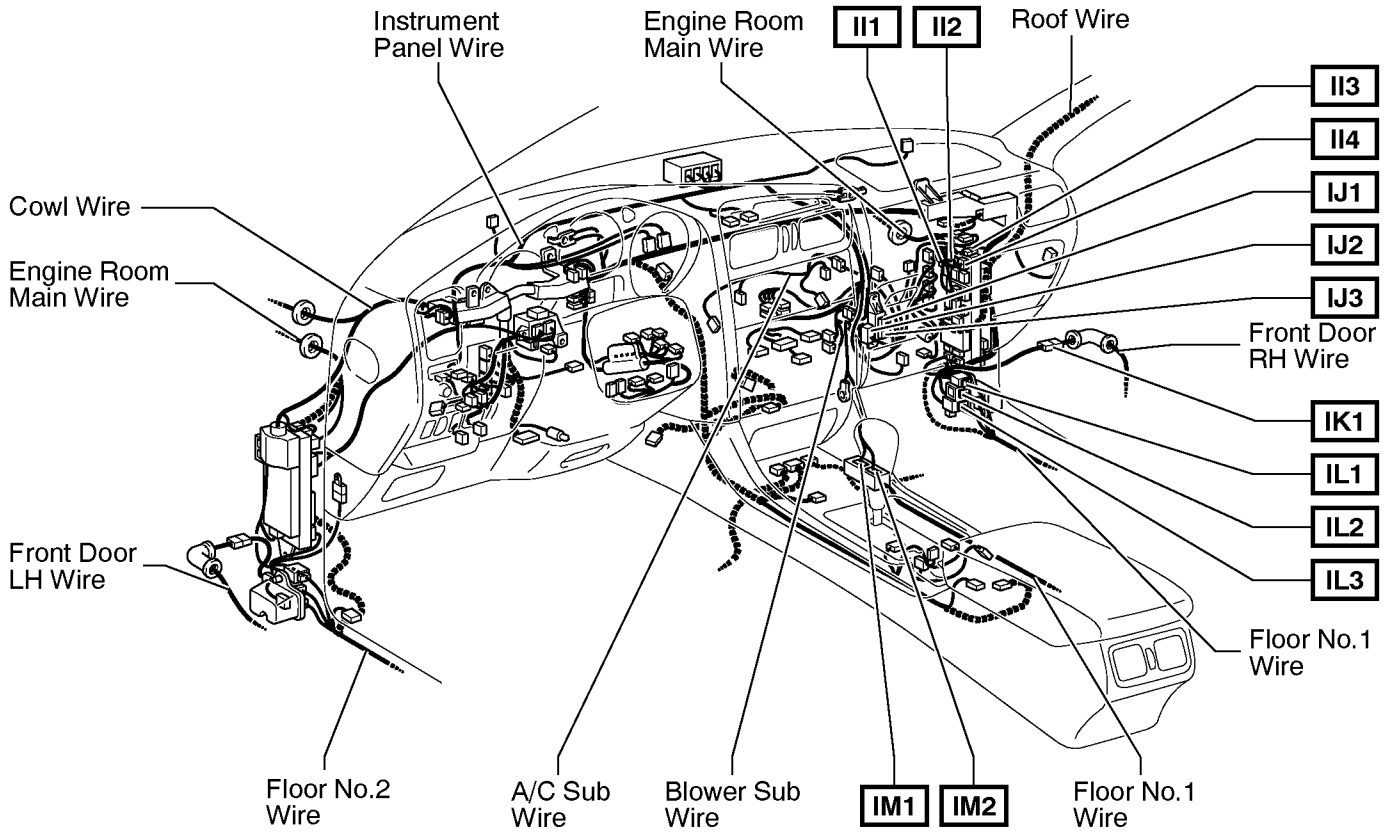
Connector Joining Wire Harness and Wire Harness



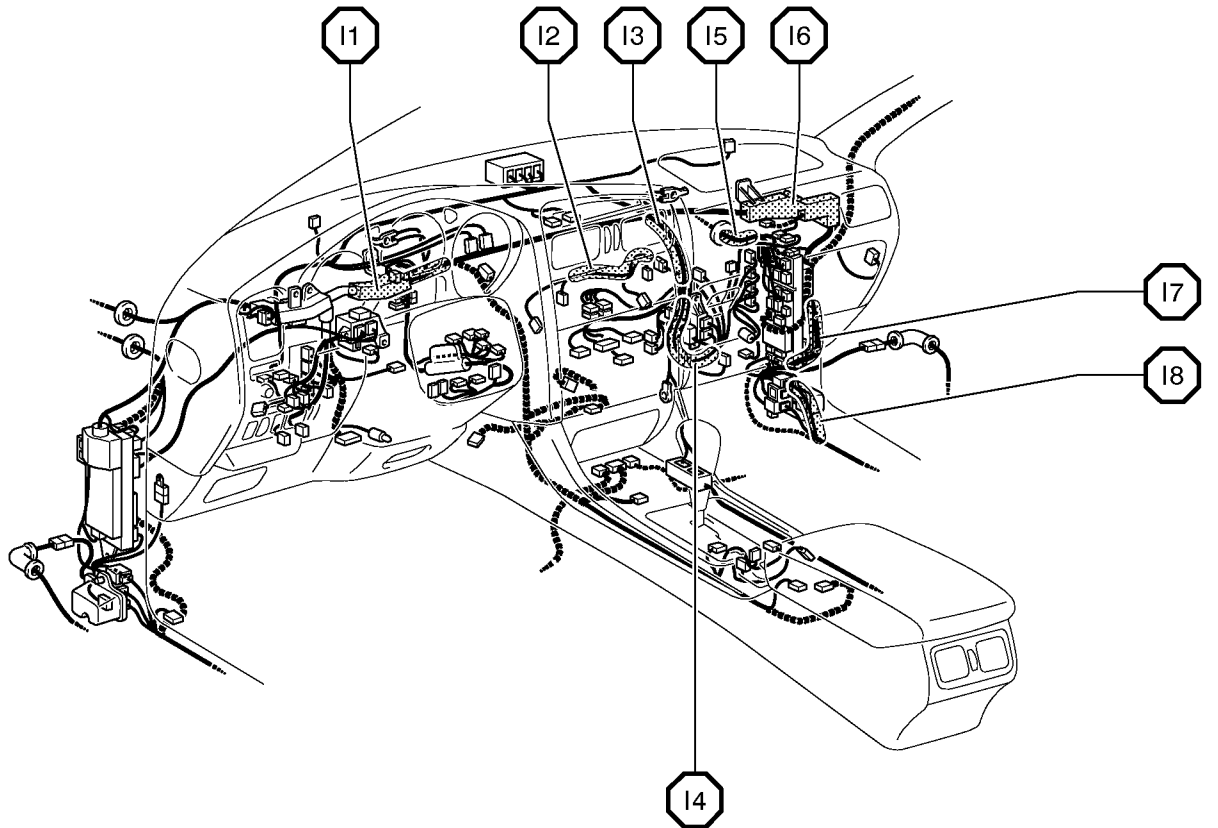
| Code | Joining Wire Harness and Wire Harness (Connector Location) |
|------|---|
| IA1 | Engine Room Main Wire and Cowl Wire (Near the Driver Side J/B) |
| IA2 | Engine Room Main Wire and Cowl Wire (Near the Driver Side J/B) |
| IB1 | Front Door LH Wire and Cowl Wire (Left Kick Panel) |
| IC1 | Floor No.2 Wire and Cowl Wire (Left Kick Panel) |
| IC2 | |
| IC3 | |
| ID1 | Cowl Wire and Cowl Wire (Left Side of the Instrument Panel Reinforcement) |
| IE1 | Instrument Panel Wire and Cowl Wire (Left Side of the Steering Column) |
| IE2 | |
| IF1 | Cowl Wire and Cowl Wire (Right Side of the Steering Column) |
| IG1 | Cowl Wire and Blower Sub Wire (Left Side of the Blower Unit) |
| IH1 | Instrument Panel Wire and A/C Sub Wire (Left Side of the Blower Unit) |

G ELECTRICAL WIRING ROUTING

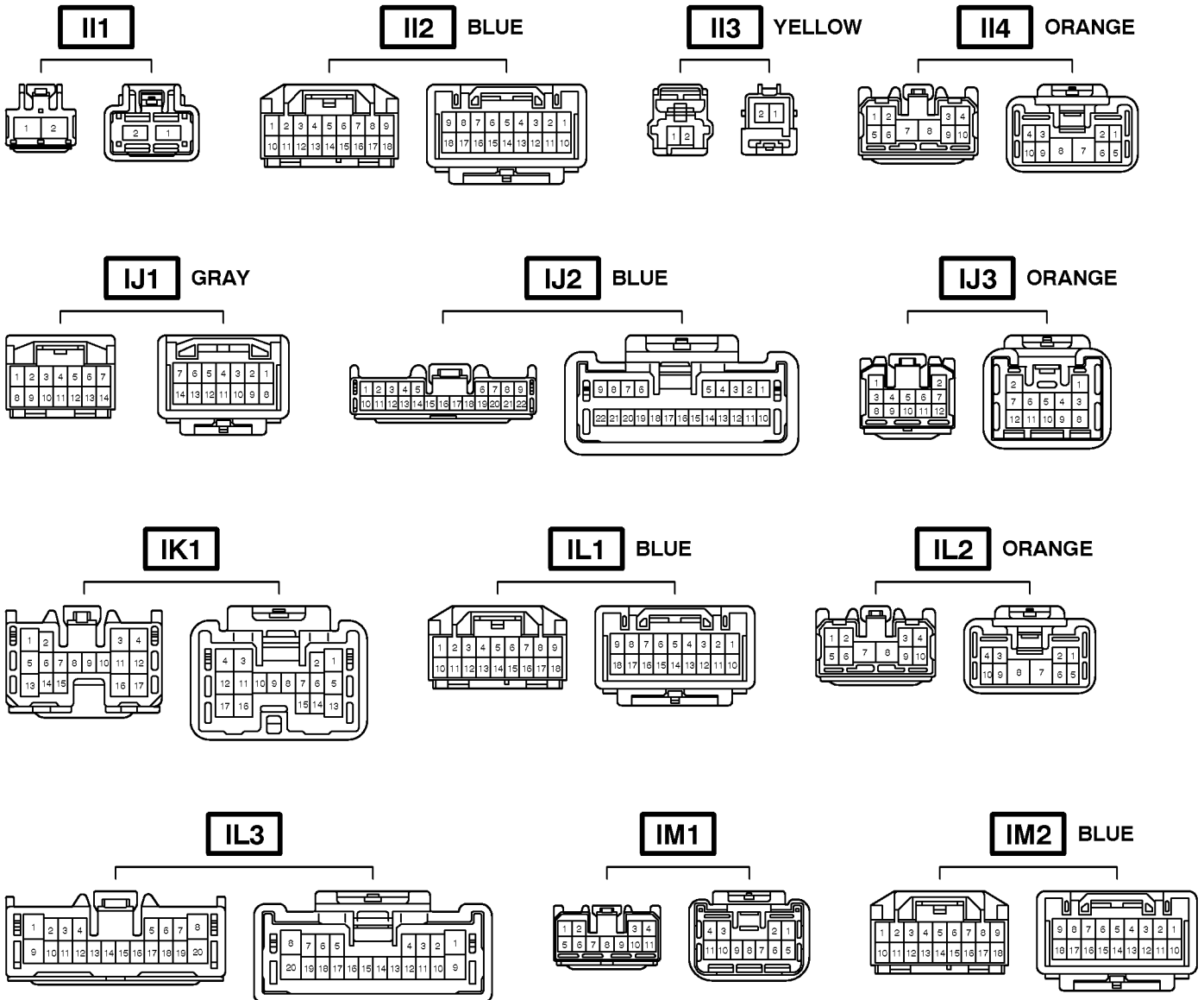
□ : Location of Connector Joining Wire Harness and Wire Harness



○ : Location of Splice Points



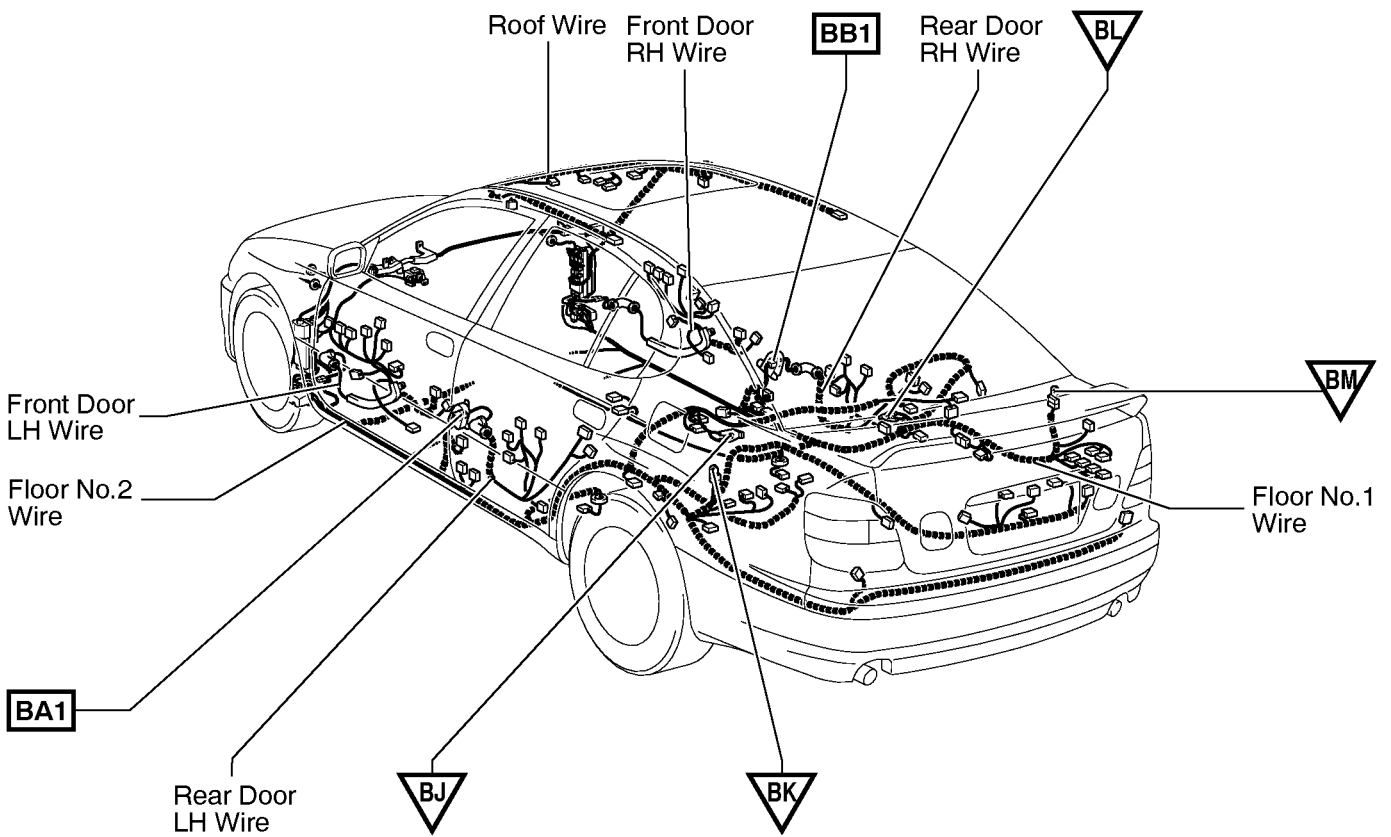
Connector Joining Wire Harness and Wire Harness



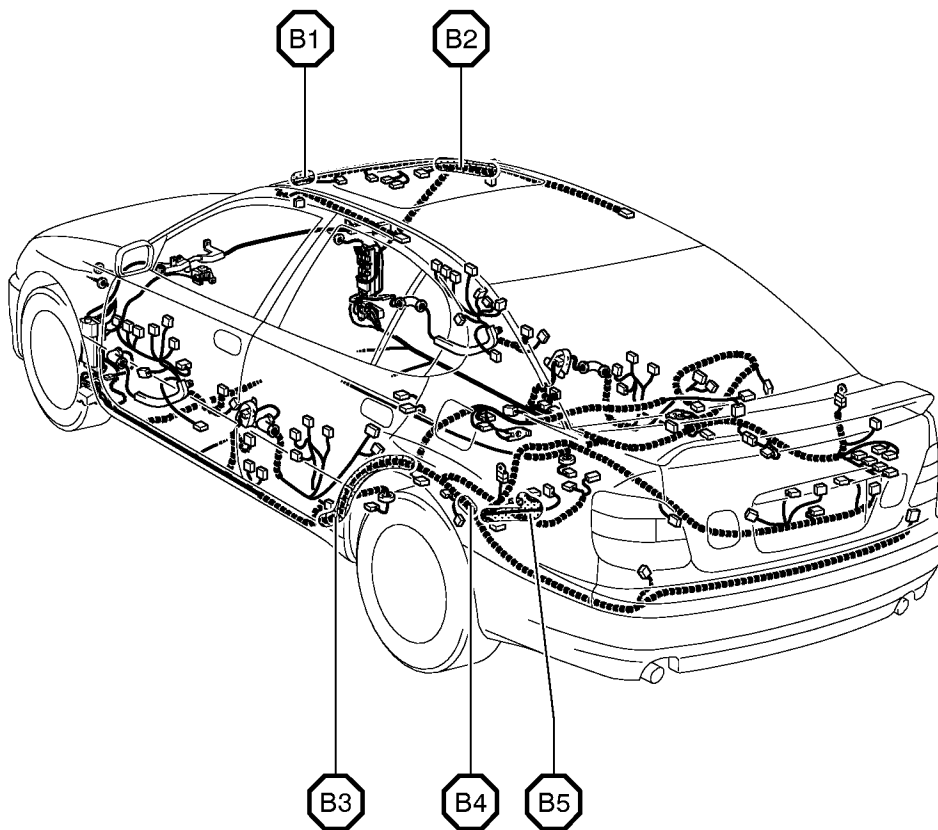
| Code | Joining Wire Harness and Wire Harness (Connector Location) |
|------|--|
| II1 | Engine Room Main Wire and Cowl Wire (Near the Passenger Side R/B) |
| II2 | |
| II3 | |
| II4 | |
| IJ1 | Instrument Panel Wire and Cowl Wire (Left Side of the Blower Unit) |
| IJ2 | |
| IJ3 | |
| IK1 | Front Door RH Wire and Cowl Wire (Right Kick Panel) |
| IL1 | Floor No.1 Wire and Cowl Wire (Right Kick Panel) |
| IL2 | |
| IL3 | |
| IM1 | Instrument Panel Wire and Floor No.1 Wire (Front RH Side of the Shift Lever) |
| IM2 | |

G ELECTRICAL WIRING ROUTING

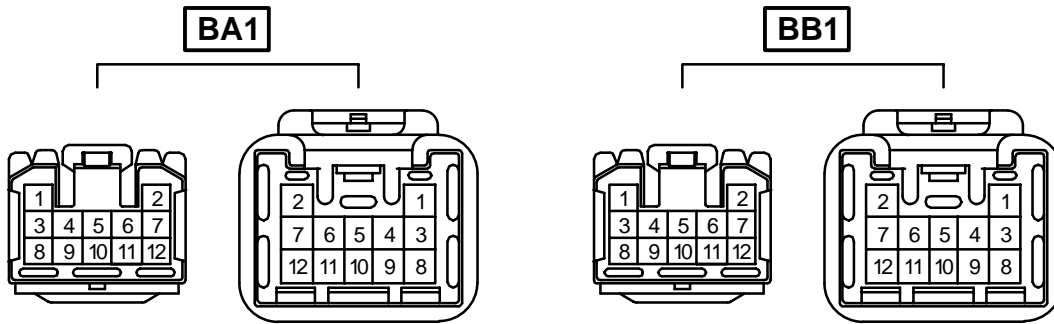
□ : Location of Connector Joining Wire Harness and Wire Harness
 ▽ : Location of Ground Points



○ : Location of Splice Points



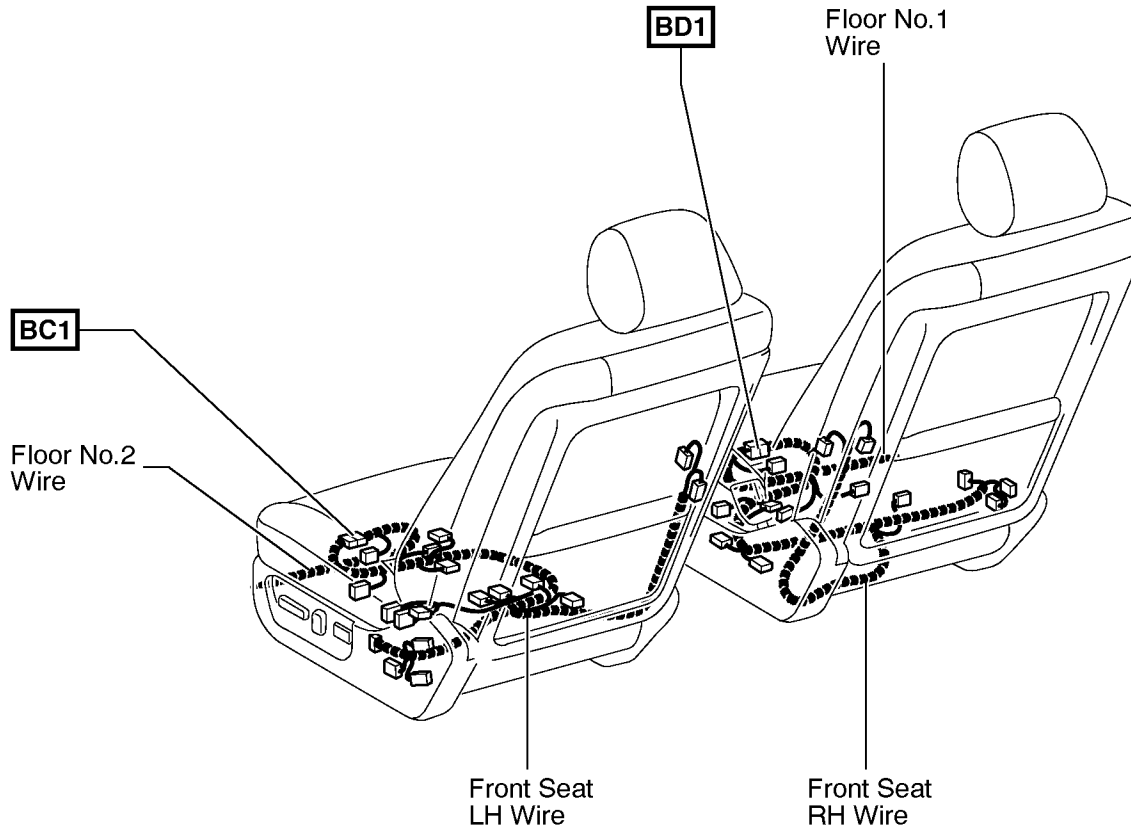
Connector Joining Wire Harness and Wire Harness



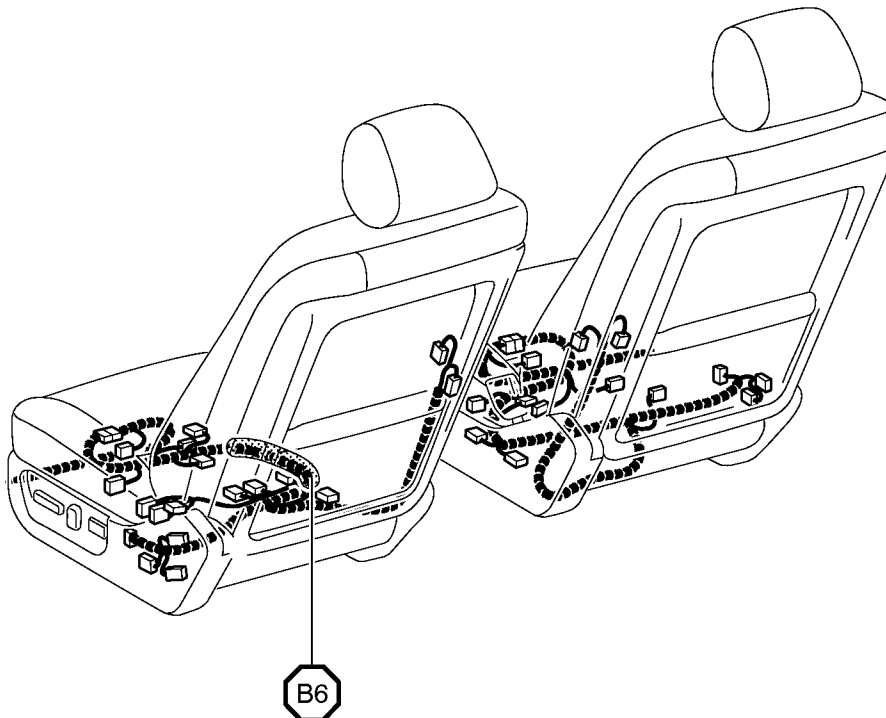
| Code | Joining Wire Harness and Wire Harness (Connector Location) |
|------|--|
| BA1 | Rear Door LH Wire and Floor No.2 Wire (Under the Center Pillar LH) |
| BB1 | Rear Door RH Wire and Floor No.1 Wire (Under the Center Pillar RH) |

G ELECTRICAL WIRING ROUTING

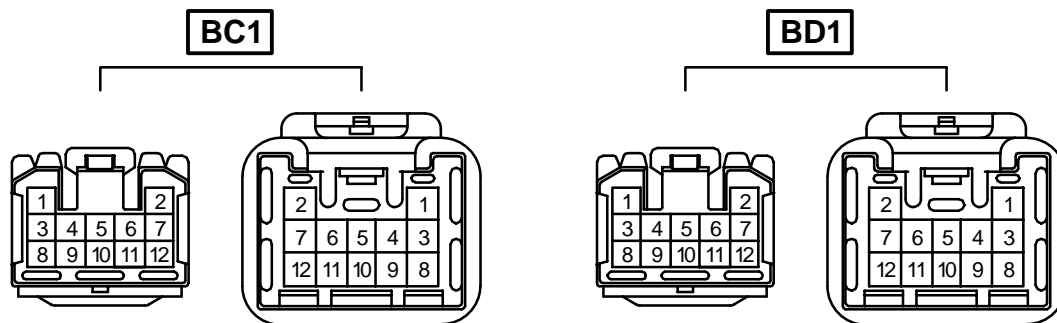
□ : Location of Connector Joining Wire Harness and Wire Harness



○ : Location of Splice Points



Connector Joining Wire Harness and Wire Harness



| Code | Joining Wire Harness and Wire Harness (Connector Location) |
|------|---|
| BC1 | Floor No.2 Wire and Front Seat LH Wire (Under the Driver's Seat) |
| BD1 | Floor No.1 Wire and Front Seat RH Wire (Under the Front Passenger's Seat) |