

YEARS: 2017-PRESENT

MAKE: HONDA

MODEL: CR-V

STYLE: SUV

WARNING: NEVER EXCEED YOUR VEHICLE MANUFACTURER'S RECOMMENDED TOWING CAPACITY
 For more information log onto www.curtmfg.com & for helpful towing tips log onto www.hitchinfo.com

WEIGHT CARRYING:
 TRAILER WEIGHT: 3,500 LBS.
 TONGUE WEIGHT: 350 LBS.

WARNING:
 WE RECOMMEND THE USE OF 18050 STABILIZING STRAPS FOR ALL NON-TRAILER (WHEEL-LESS) LOADS. PLEASE SEE THE CURT CATALOG OR VISIT US ONLINE AT WWW.CURTMFG.COM FOR FURTHER INFORMATION.

PRO INSTALL TIME: 20 MIN.
NOVICE INSTALL TIME: 40 MIN.

IF YOU ARE HESITANT TO UNDERTAKE THIS TASK ON YOUR OWN, CONTACT AN AUTHORIZED CURT INSTALLER FOR ADDITIONAL ASSISTANCE.

INSTALLATION TIPS:

- BEFORE YOU BEGIN INSTALLATION, READ ALL INSTRUCTIONS THOROUGHLY.
- TO EASE INSTALLATION, 2 PEOPLE MAY BE REQUIRED.
- USING PROPER TOOLS WILL GREATLY IMPROVE THE QUALITY OF THE INSTALL AND REDUCE THE TIME REQUIRED.
- NEED HELP OR HAVE SOME QUESTIONS? CALL TECHNICAL SUPPORT AT 800.798.0813

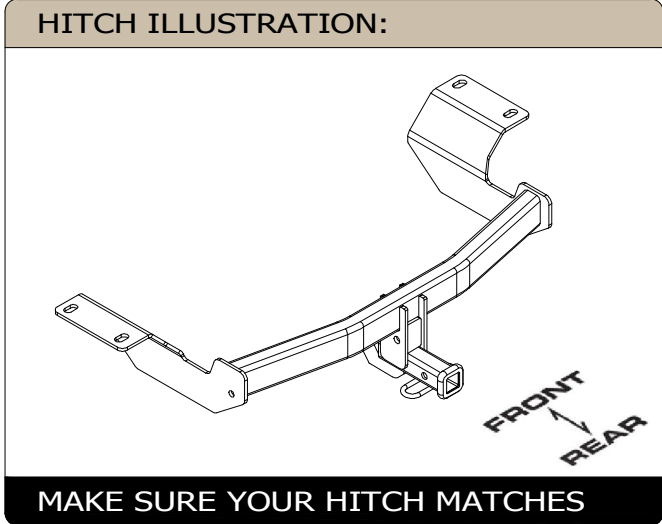


INSTALLATION REQUIRES:

RATCHET	11/16" 3/4" SOCKET	6" SOCKET EXTENSION
TORQUE WRENCH	MASKING TAPE	AVIATION SHEARS
SCREW DRIVER	PRY BAR	ELECTRICAL TAPE
SAFETY GLASSES		

LEVEL OF DIFFICULTY: EASY

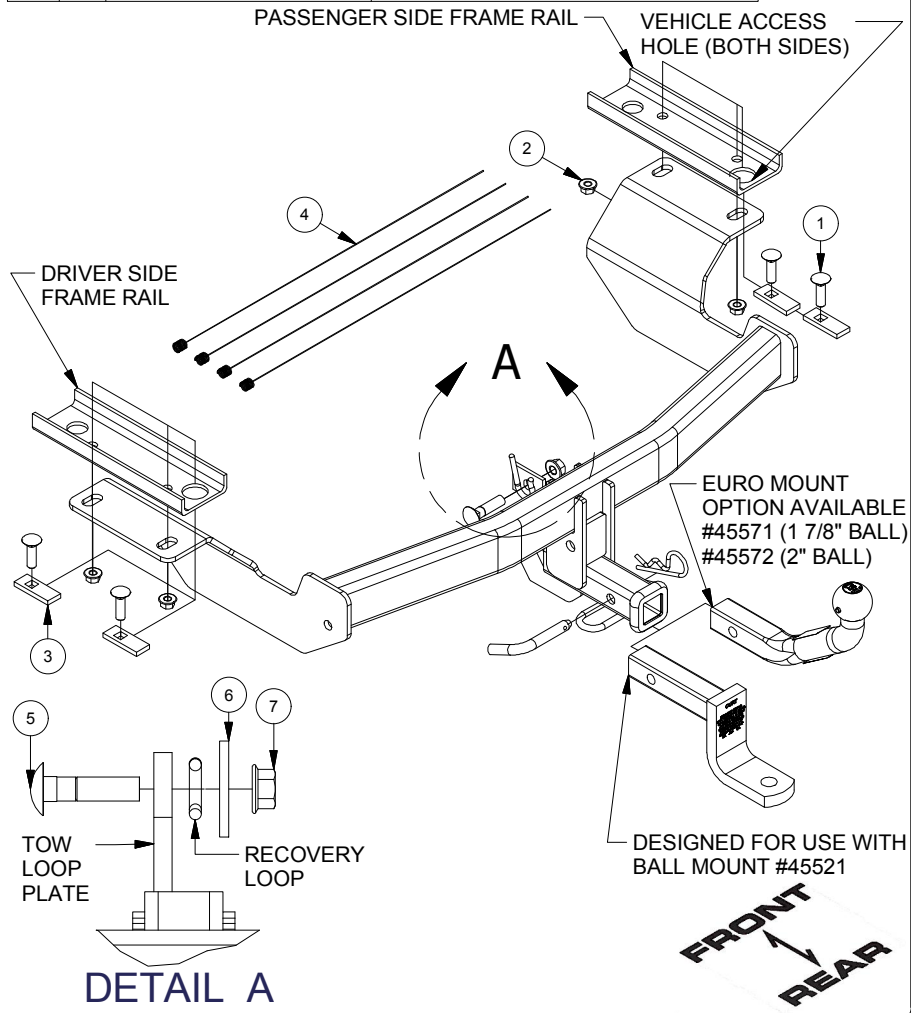
EASY	MODERATE	CHALLENGING
	LOWER EXHAUST	
	FISHWIRE HARDWARE REQUIRED	
	FASCIA & BRACKET TRIM REQUIRED	



PERIODICALLY CHECK THIS RECEIVER HITCH TO ENSURE ALL FASTENERS ARE TIGHT AND ALL STRUCTURAL COMPONENTS ARE SOUND
 CURT Manufacturing LLC. warrants this product to be free of defects in material and/or workmanship at the time of retail purchase by the original purchaser. If the product is found to be defective, CURT Manufacturing LLC. may repair or replace the product at their option, when the product is returned, prepaid, with proof of purchase. Alteration to, misuse of, or improper installation of this product voids the warranty. CURT Manufacturing LLC.'s liability is limited to repair or replacement of products found to be defective, and specifically excludes liability for incidental or consequential loss or damage.
 For more information log onto www.curtmfg.com , & for helpful towing tips log onto www.hitchinfo.com
 This product complies with safety specifications and requirements for connecting devices and towing systems of the state of New York, V.E.S.C.Regulation V-5 and SAE J684.

INSTALLATION WALKTHROUGH:

Parts List			
ITEM	QTY	PART NUMBER	DESCRIPTION
1	4	7/16-14 x 1 1/2	CARRIAGE BOLT
2	4	7/16-14	HEX FLANGE NUT
3	4	CM-SP2	.250 x .88 x 2.25" SQUARE HOLE SPACER
4	4	7_16 FISHWIRE	7/16" FISHWIRE
5	1	1_2"-13 x 2"	CARRIAGE BOLT
6	1	CM-SP32	.188 x 1.50 x 2.00" ROUND HOLE SPACER
7	1	1_2 - 13 HEX FLANGE NUT GR8	HEX FLANGE NUT
8	1	12209-04563	3/8" NYLON SLIT WIRE LOOM - NOT PICTURED



1. Lower exhaust by removing (3) rubber isolators from the exhaust towards the rear of the vehicle.

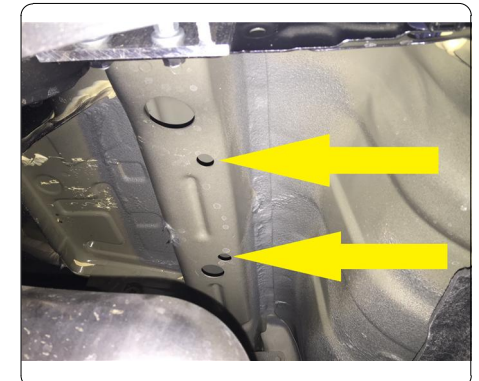


2. Fishwire (2) 7/16" carriage bolts and (2) CM-SP2 spacers through the vehicle access holes to the attachment holes on each side.

FISHWIRE TECHNIQUE

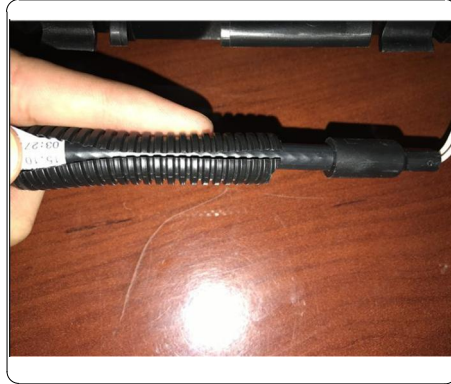
INSERT COILED END OF FISHWIRE TOOL THROUGH HITCH MOUNTING HOLE IN VEHICLE FRAME RAIL AND OUT THE ACCESS HOLE. PASS COILED END OF FISHWIRE THROUGH SPACER AND THREAD BOLT INTO COIL. KINK WIRE TO KEEP SPACER SEPARATE FROM BOLT AS SHOWN. PULL FISHWIRE, SPACER, AND BOLT THROUGH FRAME AND OUT MOUNTING HOLE. USE FISHWIRE TO GUIDE HITCH DURING MOUNTING AND PREVENT LOSS OF BOLT / SPACER INSIDE FRAME RAIL.

NOTE: SOME VEHICLES MAY FISHWIRE THROUGH END OF FRAME

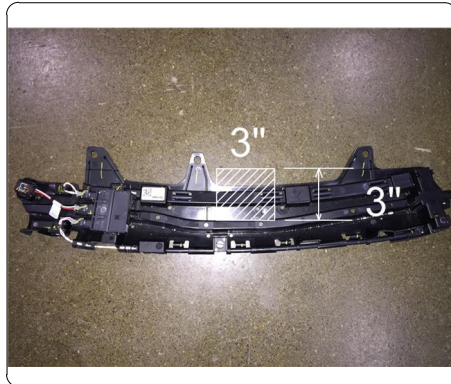
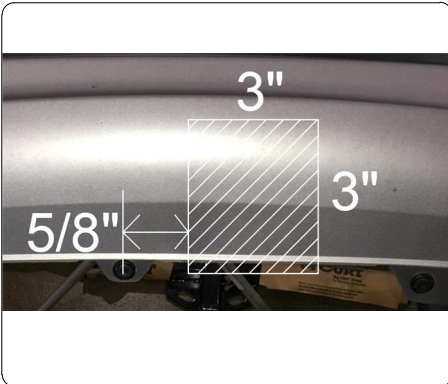


INSTALLATION WALKTHROUGH:

3. ***THIS STEP FOR HANDS FREE LIFT GATE ENABLED VEHICLES ONLY***
Remove (2) screws and (1) push pin holding sensor to lower bumper fascia using phillips head screwdriver and pry tool respectively. Remove forward most sensor antenna (if present) and cover in provided corrugated plastic tubing. Push through hole in Main Body Plate. Adjust as needed. Use electrical tape to adhere ends of antenna to corrugated plastic tubing.



4. Trim lower fascia and sensor bracket (if present) as shown in diagram below.



For more information log onto www.curtmfg.com

5. Raise hitch into position feeding the fishwires through the holes in the hitch. Once hitch is in place, remove the fishwires and loosely secure (2) 7/16" hex flange nuts on each side.



6. Secure Tow Loop Plate to recovery loop using (1) 1/2" bolt, (1) CM-SP32 spacer and (1) 1/2" hex flange nut. Torque all 7/16" hardware to 59 ft-lbs and all 1/2" hardware to 110 ft-lbs. Reinstall Hands Free Access sensor if removed in Step 3. To raise exhaust follow Step 1 in reverse order.



TOWING SAFETY INFORMATION

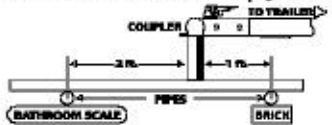
Gross Trailer Weight / GTW

The Gross Trailer Weight is the weight of the trailer & cargo. Measure this by putting the fully loaded trailer on a vehicle scale.



Tongue Weight / TW

The downward force that is exerted on the hitch ball by the coupler. The tongue weight will vary depending on where the load is positioned in relationship to the trailer axle(s). To measure the tongue weight, use either a commercial scale or a bathroom scale with the coupler at towing height. When using a bathroom scale with heavier tongue weights, use the method shown and multiply the scale reading by 3.



Weight Carrying / WC

The total weight of both the trailer and the cargo inside. Never exceed the weight capacity of your trailer hitch.

Weight Distribution / WD

Used to balance the weight of the cargo between the front and rear wheels throughout the trailer, allowing for better steering, braking, and level riding.



Sway Control

A device used to reduce the lateral movements of the trailer that are caused by the wind. This works in conjunction with a weight distribution hitch. Do not use this on a class 1 or 2 hitch, or with surge brakes.

How Much Can You Safely Tow?

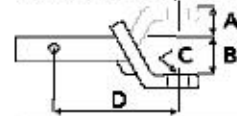
TONGUE WEIGHT (lb.)	1000	2000	3000	4000	5000	6000	7000	8000	10,000	12,000	
CLASS 1	CLASS 1										
CLASS 2	CLASS 2										
CLASS 3	CLASS 3										
CLASS 4	CLASS 4										
CLASS 5	CLASS 5										
Coupler	11	12	13	14	15	16					
Inc.	1100	1200	1300	1400	1500	1600					
Weight	17	18	19	20	22	24	26	28	30	32	
Inc.	2100	2400	2700	3000	3300	3600	3900	4200	4500	4800	
Weight	14	15	16	17	18	19	20	21	22	23	
Inc.	2800	3200	3600	4000	4400	4800	5200	5600	6000	6400	
5th Wheel											

Refer to owner's manual for towing capabilities and limitations.

Ball Mount

The ball mount is placed inside the opening of the receiver hitch which is mounted to the vehicle. Make sure a hitch pin and clip is properly securing the ball mount to the receiver hitch before you begin towing.

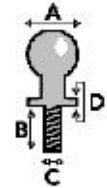
- A: Rise. B: Drop. C: Hole Size. D: Length.



Trailer Ball

The connection from the hitch to the trailer. There are many factors that determine the correct hitch ball:

- Number one is the hitch ball's gross trailer weight rating.
- The mounting platform must be at least 3/8" thick.
- The hole diameter must not be more than 1/16" larger than the threaded shank.
- Every time you tow, check the nut and lock washer to make sure they are fastened securely.
- A: Ball Dia. B: Shank Length. C: Shank Dia. D: Shank Rise.



Coupler

The component that is placed over the trailer ball to connect the vehicle to the trailer. Be sure that the coupler size matches the size of the hitch ball and that the coupler handle is securely fastened. To determine what size hitch ball you need for your application you will need to know the size of coupler that is on the trailer. Be sure your coupler is properly adjusted to the ball you are using.

NOTE: For added security the use of safety devices such as Coupler Safety Pins and Locks is strongly recommended.

Safety Chains

Safety chains are a requirement and should be crossed under the tongue of the trailer so that the tongue will not drop to the road if it becomes separated from the hitch. Always leave enough slack so you can turn. Never allow the safety chains to drag on the ground and never attach the chains to the bumper.

Trailer Classification: Safety Chain Breaking Force - Minimum

Class 1: 2,000 lbs. (8.9 kN)

Class 2: 3,500 lbs. (15.6 kN)

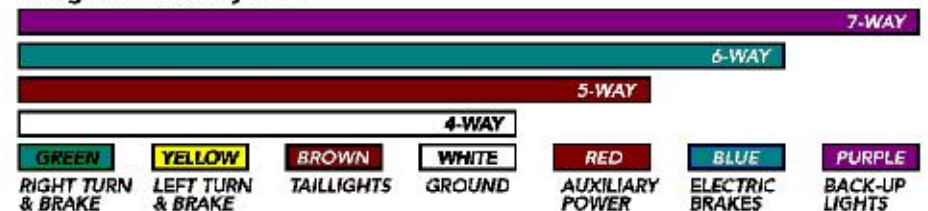
Class 3: 5,000 lbs. (22.2 kN)

The strength rating of each length of safety chain or its equivalent and its attachments shall be equal to or exceed in minimum breaking force the GVWR (Gross Vehicle Weight Rating) of the trailer.

Electrical

Trailer lights, Electric Brakes, Break-away systems - Every time you tow, be sure to check that all components are working properly.

Wiring identification by color:



CURT DISCLAIMER: WIRING COLOR SHOWN WORK IN CONJUNCTION WITH CURT MANUFACTURING PRODUCTS.

12169

HONDA CR-V

6/8/2017

GROSS LOAD CAPACITY WHEN USED AS A WEIGHT CARRYING HITCH: 3,500 LBS. TRAILER WEIGHT & 350 LBS. TONGUE WEIGHT.



WARNING: * DO NOT EXCEED VEHICLE MANUFACTURER'S RECOMMENDED TOWING CAPACITY *****

FOR MORE INFORMATION LOG ONTO WWW.CURTMFG.COM
HAVING INSTALLATION QUESTIONS? CALL TECHNICAL SUPPORT AT 1-800-798-0813

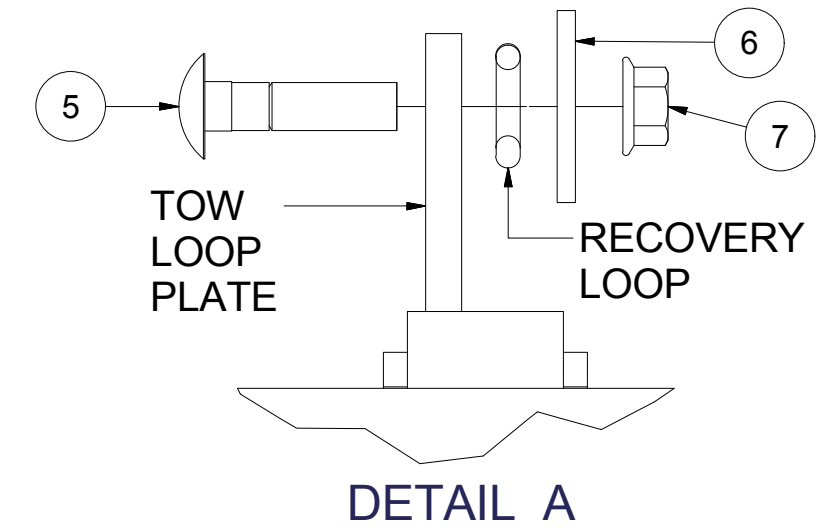
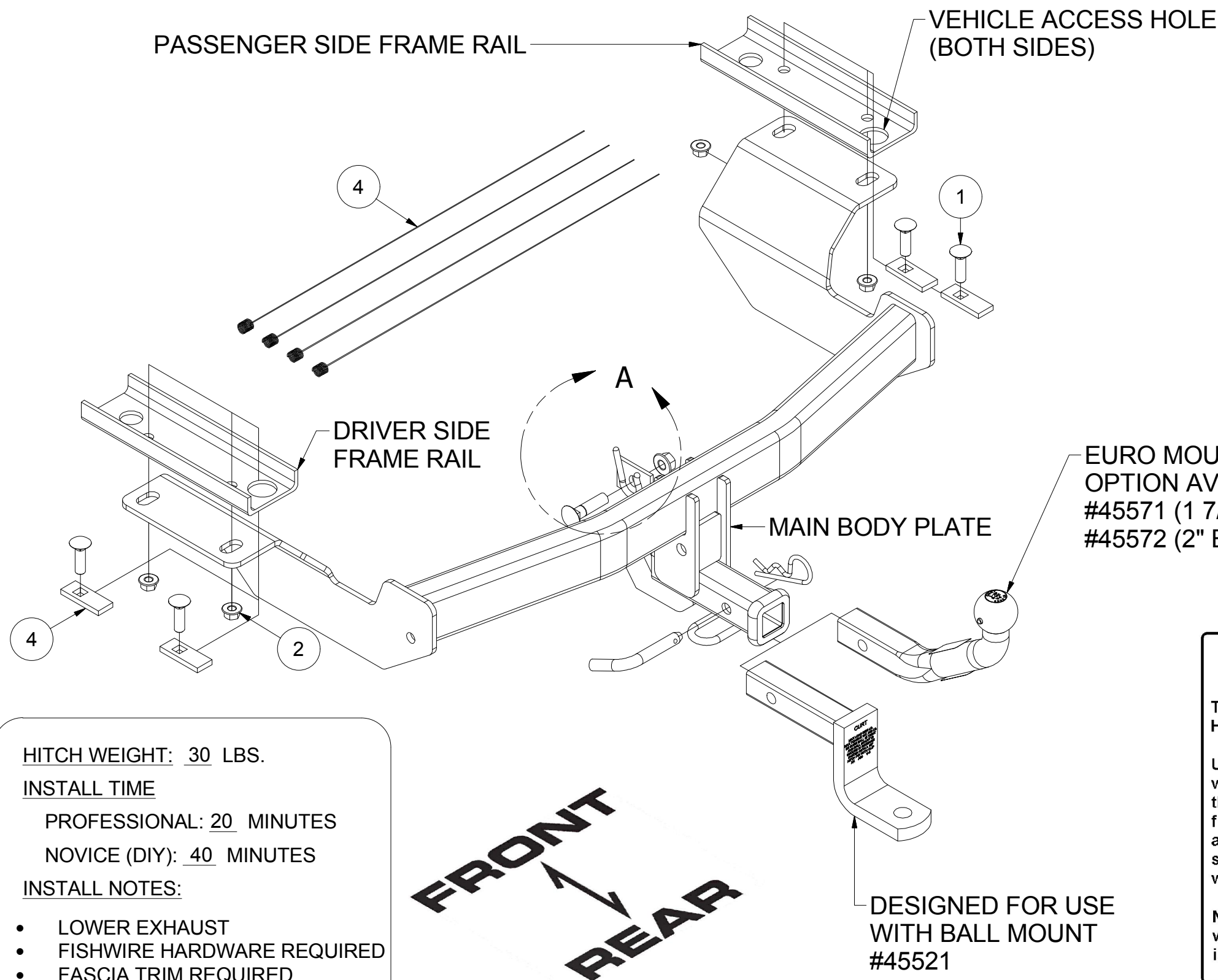


Parts List			
ITEM	QTY	PART NUMBER	DESCRIPTION
1	4	7/16-14 x 1 1/2	CARRIAGE BOLT
2	4	7/16-14	HEX FLANGE NUT
3	4	7_16 FISHWIRE	7/16" FISHWIRE
4	4	CM-SP2	.250 x .88 x 2.25" SQUARE HOLE SPACER
5	1	1/2 - 13 x 2"	CARRIAGE BOLT
6	1	CM-SP32	.188 x 1.50 x 2.00" ROUND HOLE SPACER
7	1	1_2 - 13 HEX FLANGE NUT GR8	HEX FLANGE NUT
8	1	12209-04563	3/8" NYLON SLIT WIRE LOOM- NOT PICTURED

FISHWIRE TECHNIQUE

INSERT COILED END OF FISHWIRE TOOL THROUGH HITCH MOUNTING HOLE IN VEHICLE FRAME RAIL AND OUT THE ACCESS HOLE. PASS COILED END OF FISHWIRE THROUGH SPACER AND THREAD BOLT INTO COIL. KINK WIRE TO KEEP SPACER SEPARATE FROM BOLT AS SHOWN. PULL FISHWIRE, SPACER, AND BOLT THROUGH FRAME AND OUT MOUNTING HOLE. USE FISHWIRE TO GUIDE HITCH DURING MOUNTING AND PREVENT LOSS OF BOLT / SPACER INSIDE FRAME RAIL.

NOTE: SOME VEHICLES MAY FISHWIRE THROUGH END OF FRAME



TOOLS REQUIRED

RATCHET
11/16", 3/4" SOCKET
6" SOCKET EXTENSION
TORQUE WRENCH
MASKING TAPE
AVIATION SHEARS
SCREW DRIVER
PRY BAR
ELECTRICAL TAPE
SAFETY GLASSES

RUBBER ISOLATOR REMOVAL DIAGRAM

This technique can be used if an Exhaust Hanger Removal Pliers is not available.

Using a 5/8" open end wrench, slide the wrench up to the rubber isolator, cradling the hanger rod as shown. Next place the flat edge of a pry bar between the wrench and the hanger stop or hanger rod. Then simply rotate the pry bar toward the wrench to remove the rubber isolator.

Note: Using a spray lubricant or soapy water on the hanger rod and the rubber isolator helps removal.

HITCH WEIGHT: 30 LBS.
INSTALL TIME
PROFESSIONAL: 20 MINUTES
NOVICE (DIY): 40 MINUTES
INSTALL NOTES:
• LOWER EXHAUST
• FISHWIRE HARDWARE REQUIRED
• FASCIA TRIM REQUIRED

INSTALLATION STEPS

1. Lower exhaust by removing (3) rubber isolators from the exhaust towards the rear of the vehicle.
2. Fishwire (2) 7/16" carriage bolts and (2) CM-SP2 spacers through the vehicle access hole to the attachment holes on each side.
3. ***THIS STEP FOR HANDS FREE LIFT GATE ENABLED VEHICLES ONLY***
Remove (2) screws and (1) push pin holding sensor to lower bumper fascia using phillips head screwdriver and pry tool respectively. Remove forward most sensor antenna (if present) and cover in provided corrugated plastic tubing. Push through hole in Main Body Plate. Adjust as needed. Use electrical tape to adhere ends of antenna to corrugated plastic tubing.
4. Trim lower fascia and sensor bracket (if present) as shown in diagram.
5. Raise hitch into position feeding the fishwires through the holes in the hitch. Once hitch is in place, remove the fishwires and loosely secure (2) 7/16" hex flange nuts on each side.
6. Secure Tow Loop Plate to recovery loop using (1) 1/2" bolt, (1) CM-SP32 spacer, and (1) 1/2" hex flange nut. Torque all 7/16" hardware to 59 ft-lbs and all 1/2" hardware to 110 ft-lbs. Reinstall Hands Free Access sensor if removed in Step 3. To raise exhaust follow Step 1 in reverse order.



Scan for more information

PERIODICALLY CHECK THIS RECEIVER HITCH TO ENSURE THAT ALL FASTENERS ARE TIGHT AND THAT ALL STRUCTURAL COMPONENTS ARE SOUND.

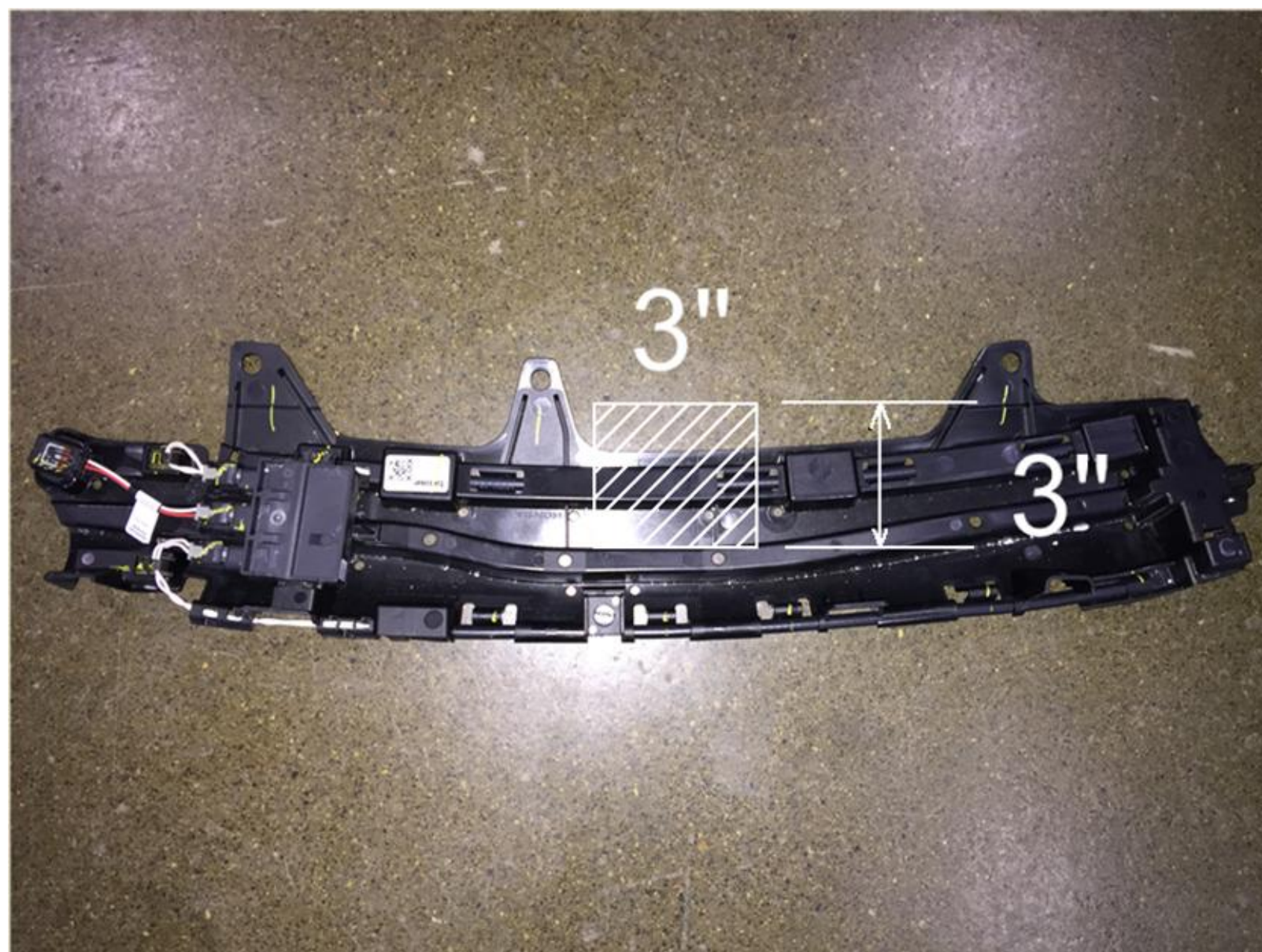
CURT Manufacturing LLC., warrants this product to be free of defects in material and/or workmanship at the time of retail purchase by the original purchaser. If the product is found to be defective, CURT Manufacturing LLC., may repair or replace the product, at their option, when the product is returned, prepaid, with proof of purchase. Alteration to, misuse of, or improper installation of this product voids the warranty. CURT Manufacturing LLC.'s liability is limited to repair or replacement of products found to be defective, and specifically excludes liability for incidental or consequential loss or damage.

This product complies with safety specifications and requirements for connecting devices and towing systems of the state of New York, V.E.S.C.Regulation V-5 and SAE J684.

HAVING INSTALLATION QUESTIONS? CALL TECHNICAL SUPPORT AT 1-800-798-0813



SENSOR BRACKET TRIM DIAGRAM
NOTE: REMOVE ANTENNA BEFORE TRIMMING! (IF PRESENT)



LOWER FASCIA TRIM DIAGRAM