

Luxaflex®
Roller Blinds
Powered by QMotion®

NEW
Technology
Features &
Benefits



Luxaflex® Roller Blinds Powered by QMotion

Luxaflex® Roller Blinds with QMotion® technology were designed with a focus on making motorised window coverings simple, functional and stylish whilst using cutting-edge technology.

It is the only super quiet battery powered blind on the market that places the batteries inside the roller tube. The result, is a perfectly balanced roller blind system that operates seamlessly and quietly without cords or wires. Through its patented design, QMotion technology is also the only motorised roller blind that offers a manual override feature that allows you to operate the blind by hand without damage to the shade or motor.



Installing Luxaflex Window Fashions Powered by QMotion is simple – no wires to run, no special tools required, and no hard-to-find proprietary batteries.



Luxaflex Roller Blinds with QMotion technology is today's answer to beautifying and simplifying automation for window coverings by providing:

- Clean appearance without any wires or cords.
- Whisper quiet operation.
- Symmetrical light gaps at only 14mm on each side.
- Low cost installation and maintenance – no special tools or electrician required!
- Compatibility with a wide range of home automation systems.
- Child and pet safe cordless operation.
- Multiple control options
 - The blind can be operated by a remote control or
 - Moved by hand to a desired position manually.
- Long battery-life, battery will last up to 3 years on standard alkaline batteries*
- Optional hardwire 24 Volt motors also available for larger installations or where access to replace batteries is difficult.

* Based on 4 movements per day on a blind 1.8m x 2.4m



Features and Benefits

Breakthrough Technology

With QMotion technology, we have reinvented how motorised roller blinds operate by housing precision ball bearings in each roller blind tube. This innovative design minimises friction, reducing the amount of power needed to raise and lower the shade and thereby allowing batteries to last for up to 3 years* - offering one of the longest battery life in the industry.

Unlike conventional motorised shades, Luxaflex Roller Blinds powered by QMotion are whisper quiet. Their movement is smooth, virtually silent, without the typical jarring sounds associated with some older motorised roller blind technology.

QMotion technology offers enhanced proprietary protocols in the latest Gen 3 roller blinds. This makes it great for stand-alone applications, or radio rich environments where there is potential interference from other electronic devices.

Innovative Control Options

QMotion technology roller blinds feature a unique dual-operating function where the roller blind can operate with or without a wireless remote controller. Without the remote controller, the patented design allows the roller blind to be adjusted with a slight tug to the bottom bar, which activates the motor and moves the roller blind to a fully open or to the next pre-programmed intermediate position. When wanting to close the roller blind, simply lower the bottom bar to your desired position, gently release and the shade will stay at the new lower position.

Impressive Battery Performance

The power source is via standard D cell Alkaline batteries. QMotion technology improves the sleep time of the inbuilt radio (RF) receiver, so that battery life lasts up to 3 years* of operation. The D cell batteries are housed discreetly inside the roller tube and are accessible by pulling down on the shade fabric to reveal the access port to replace the batteries. Best of all, the blind does not need to be removed from the window to do this.



* Based on 4 movements per day on a blind 1.8m x 2.4m

Qsync Features and Benefits



Smartphone Control for QMotion Technology

Our smartphones and tablets are increasingly important in our daily lives. QMotion technology blinds are as convenient to control as your phones.

With the addition of Qsync technology, QMotion blinds move up and down easier than sending a text message.

Qsync works with the QMotion App available in your App Store and Android® play store. It transforms a smartphone or tablet into the most elegant and functional transmitter for QMotion Blinds.

Simple and easy to set up

- Control QMotion roller blinds with iOS and Android mobile devices.
- Virtual Shade: Drag your finger to place the shade to the desired positions.
- “Plug and Play” - Easy Set-up.
- Channel System to name, take and set reference photo to group shades and create “scenes”.
- Step by Step setup for learning, setting lower limit, and deleting shades.
- Set up once and settings sync to other smartphones and tablets on the network.

Product Information

Qsync

Transformer Voltage
9V DC power adapter

Connections
Ethernet through RJ-45

Maximum Shade Groups
Over 450

Transmission Range
15 metres (dependant on structures and walls between Qsync and device)

Special
App available for Apple iOS and Android devices.



Remote Control Options & Accessories



1 Channel Remote (Includes Wall Dock)

6 buttons to support UP, DOWN, 20%, 40%, 60% and 80% increments. The preset positions can also be customised.

Control unlimited number of Blinds in 1 group

Long life convenient CR 2032 3V Lithium coin cell battery

Magnetic back for simple storing on wall plate



Multi Channel Remote (Includes Wall Dock)

Up to 5 individual or group settings, with an unlimited number of shades per group - plus 1 "all" channel.

6 buttons to support UP, DOWN, 20%, 40%, 60% and 80% increments. The preset positions can also be customised.

Motion activated channel indicator when the remote is tapped or moved.

Long life convenient CR 2032 3V Lithium coin cell battery

Magnetic back for simple storing on wall plate



Qsync Control Unit

Control for Apple iOS and Android devices

Transmission range of 10 to 15 metres

9V DC power adapter

Control up to 450 blinds or groups



QRepeater Qrelay for Gen 3

Extends range of all QMotion Gen 3 remotes.

"Plug and Play" for easy set up.

Includes 5 volt power supply



QMotion hardware

24 Volt DC powered

All the functionality of QMotion without the batteries

Optional single power supply 1.2Amp or 4 blind power 6Amp

Bracket Options

Roll Options

The new universal bracket now supports reverse roll, standard roll, reveal and face fit.

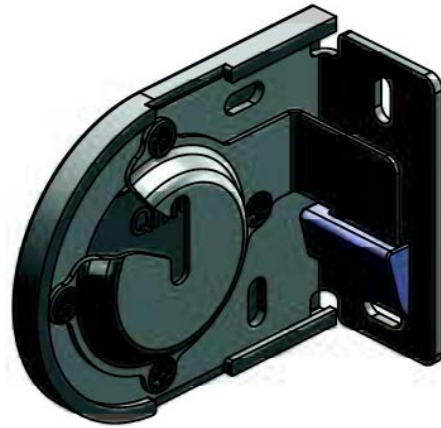
QMotion brackets

Elegant fabrics, clean lines and modern finishes create natural beauty for every window.

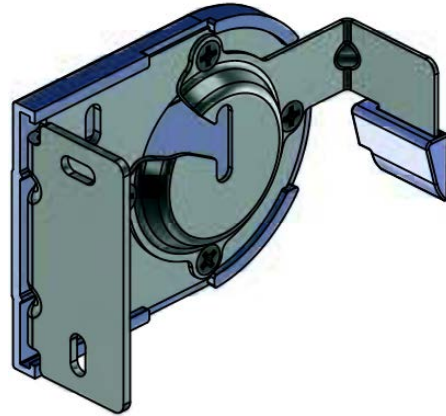
There are 2 new bracket sizes (66mm and 84mm) which now supports face fit, reverse roll. The 2 bracket sizes have been beautifully designed with a soft rounded edge and are available in 3 colour options, black, white and grey to suit your customers' requirements. Face fit brackets automatically come with colour coordinated covers.

The corresponding bracket size will be automatically included based on the roll diameter of the blind.

E.g. Blinds with a roll diameter greater than 66mm will receive the larger roll diameter brackets. This is determined by fabric thickness and blind drop. Please refer to bracket guide.



QBracket 66mm standard roll



QBracket 84mm reverse roll

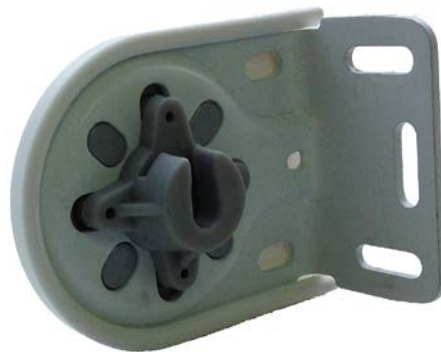
QEdge Bracket

Introducing NEW Edge bracket adapters. The QMotion evolution continues with the addition of three EDGE bracket options to be used with QMotion technology.

- EDGE 38
- EDGE 46
- EDGE 55

The EDGE brackets have been developed to ensure a high quality sleek finish and creates a common appearance with other EDGE Technology chain operated roller blinds used throughout the house.

The Edge brackets are available in face and side mount for standard roll blinds only, and are available in four colour options – White, Black, Grey and Magnolia. Top fix and reverse roll options are not available. Light gaps increase to 19mm.



QEdge 38mm standard roll

Bracket Options

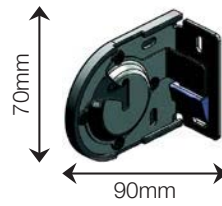
66mm QBracket Standard

Light gap = 14mm

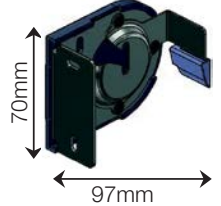
Black, White, Grey

Bracket covers supplied for face installation only.

66mm Standard Roll



66mm Reverse Roll



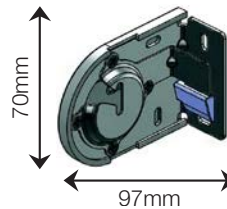
84mm QBracket Standard

Light gap = 14mm

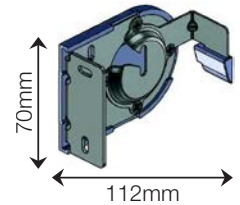
Black, White, Grey

Bracket covers supplied for face installation only.

84mm Standard Roll



84mm Reverse Roll



QEdge Bracket

Light gap = 19mm

Standard roll only

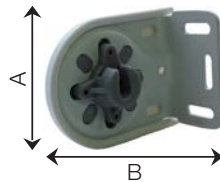
Face Mount Or Side Mount

No top fix support.

Black, White, Grey, Magnolia

Bracket covers supplied for face installation only.

66mm Standard Roll



	DIM - A	DIM - B
38mm	50mm	68mm
46mm	50mm	70mm
55mm	50mm	86mm

66mm & 84mm Dual Bracket

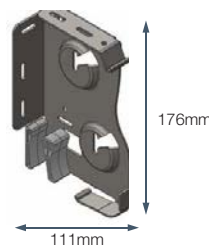
Standard roll only

Black, White, Grey

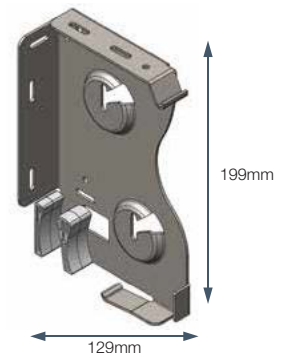
No bracket covers

Note: It is recommended to have these brackets with the fascia system. This is due to the aesthetics of the brackets without the fascia.

66mm Dual Fascia Brackets



84mm Dual Fascia Brackets



Fascia Features & Benefits

Finishing Touches for a Beautiful QMotion Experience

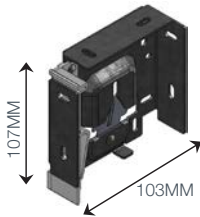
Introducing contemporary, slim lined colour-coordinated fascias which enhances both the form and function of the QMotion Roller Blind. Easily mounted, fascias attractively conceal the roller blind system while adding to the light protection your blinds were designed to provide. They are appealing and practical, all in one!

- Choose from 3 colour options: white, silver and black.
- All fascia orders include colour-coordinated end caps which provide a clean and uncluttered look when fascia is face mounted. (End caps are not included in reveal).
- Available in both standard and reverse roll.
- Two sizes (automatically selected based on the drop of blind and thickness of fabric). Please refer to bracket guide.
- Easy installation with snap off front cover.

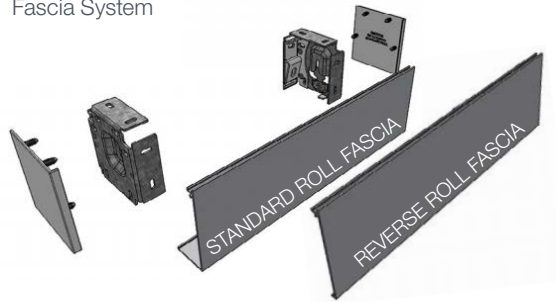
66mm Fascia Brackets



84mm Fascia Brackets



Fascia System



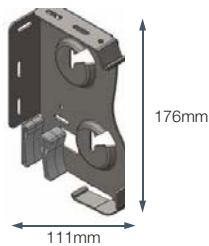
- Choose from 3 colour options: white, silver and black.
- All fascia orders include colour coordinated end caps which provide a clean and uncluttered look when fascia is face mounted. (End caps are not included in reveal).

- Both blinds are in standard roll configuration only.
- Two sizes (automatically selected based on the drop of blind and thickness of fabric). Please refer to bracket guide.
- Easy installation with snap off front cover.

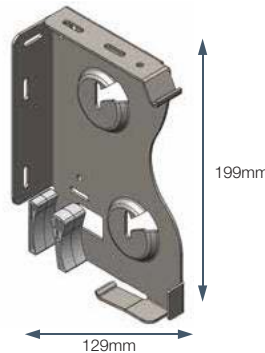
Dual Fascia System Bracket



66mm Dual Fascia Brackets



84mm Dual Fascia Brackets



QMotion on Edge 50 Headbox and Side Channel

QMotion technology is now available on the Edge 50 Headbox and Side Channel system. White, Black, Anodised and Magnolia colours, with the current drop limitations on Edge 50.

Please note: Edge Headbox and Side Channel is only supported to a maximum width of 2500mm for QMotion, and in Standard Roll configuration.



QMotion Bracket Size Grid

Tube Sizes

All roller blinds under 2.5 metres in length will be made with a 50mm diameter tube. Blinds wider than 2.5 metres will be made with a 61mm diameter tube. It is possible to have adjacent smaller blinds made on the larger 61mm tube.

QBracket Size Grid

Blinds that fall within the dimensions below will be supplied with 66mm QMotion brackets. All blinds outside of the dimensions below will receive 84mm QMotion brackets.

Qedge Bracket Size Grid

The bracket size supplied when QEdge brackets are requested is given on the right side of the grid below. QEdge brackets are only supported in standard roll face (or back) mount ONLY.

Luxaflex®	Thickness	Blind Width	QBRACKET 66mm		QEDGE BRACKET		
			Blind Drop Less Than	38mm	46mm	55mm	
				Blind Drop Less Than			
Waratah	0.35mm	LESS THAN - 2500mm GREATER THAN - 2500mm	2900mm	1100mm	3000mm	N/A	
			N/A	N/A	2200mm	3000mm	
Portobello Translucent, Prague, Atmosphere Translucent, Marblo, Calypso Plus	0.41mm	LESS THAN - 2500mm GREATER THAN - 2500mm	2900mm	1000mm	3000mm	N/A	
			N/A	N/A	2300mm	3000mm	
Ultraweave® Plus	0.46mm	LESS THAN - 2500mm GREATER THAN - 2500mm	3000mm	1000mm	3000mm	N/A	
			N/A	N/A	2200mm	3000mm	
Atmosphere Blockout, Omniscreen, Moorea, Havana Translucent, Avesta	0.50mm	LESS THAN - 2500mm GREATER THAN - 2500mm	2700mm	700mm	3000mm	N/A	
			N/A	N/A	2000mm	3000mm	
Proscreen	0.55mm	LESS THAN - 2500mm GREATER THAN - 2500mm	2450mm	700mm	3000mm	N/A	
			N/A	N/A	1700mm	3000mm	
Caspian Translucent, Versailles Translucent, Soltec, Neotec	0.60mm	LESS THAN - 2500mm GREATER THAN - 2500mm	2200mm	700mm	3000mm	N/A	
			N/A	N/A	1700mm	3000mm	
Mauritius, T500, Faroe, Taylor Blockout	0.66mm	LESS THAN - 2500mm GREATER THAN - 2500mm	1900mm	700mm	3000mm	N/A	
			N/A	N/A	3000mm	3000mm	
Portobello Blockout, Havana Blockout, B500, Versailles Blockout, Ethos Translucent.	0.70mm	LESS THAN - 2500mm GREATER THAN - 2500mm	1550mm	500mm	2500mm	N/A	
			N/A	N/A	1100mm	3000mm	
Caspian Blockout, Temple Blockout, Ethos Blockout	0.80mm	LESS THAN - 2500mm GREATER THAN - 2500mm	1550mm	500mm	2500mm	3000mm	
			N/A	N/A	1100mm	3000mm	



QMotion Measurement Guide

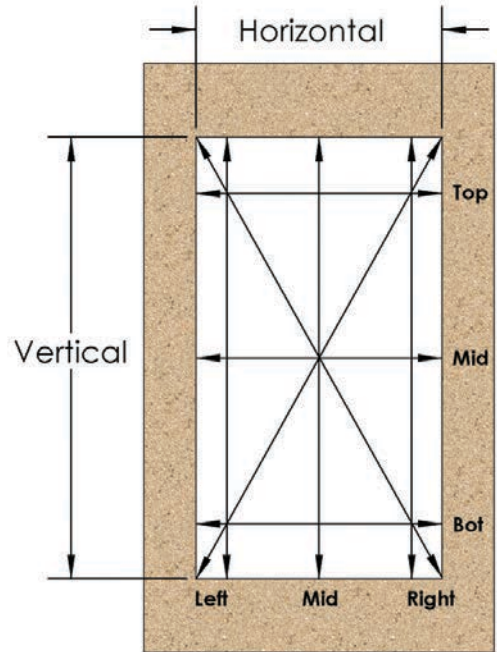
Luxaflex Roller Blinds Powered by QMotion are built with precision to ensure that each blind is perfectly balanced for a long life of operation. In order to ensure that the impressively small light gaps on each side of the blind are maintained, accurate measurements are critical.

- Please follow the measurement guidelines below.
- Measure opening to be covered vertically and horizontally in three places.
- If vertical or horizontal measurements vary by more than 12mm, we recommend face mounting the blind.
- Measure and compare diagonals to ensure the opening is square. If corner to corner diagonals vary by more than 12mm, we recommend face mounting the blind.

Reveal Mount

Use the top horizontal measurement for the width (outside of bracket to outside of bracket). Use the largest vertical measurement for height.

The blind will be made to suit your window opening.



Opening Measurements

Face Mount

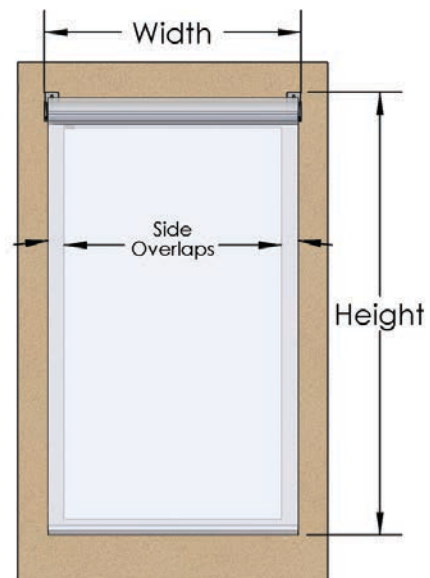
Determine the required width to cover the opening.

Face mount on architrave

- Width equals edge to edge of architrave
- Drop equals top to bottom of architrave

Face mount no architrave

- Opening width plus 100mm
- Opening drop plus 50mm



QMotion Manual Operation

Manual Hand Operation

Pull down on bottom bar approximately 50mm



Blind rolls up to full open position

Manual Hand Operation

Pull down on bottom bar MORE than 50mm



Blind stays at new lower position

Manual Hand Operation

Slight downward pressure on bottom bar 10mm to 20mm



Blind rolls up to next intermediate position

QMotion Measurement Guide

Product	Roller blind	Translucent, Blockout and Sunscreen fabrics
Size Limitations	Small QMotion	400mm wide to 650mm wide maximum drop 2500mm 410mm wide for QEdge <ul style="list-style-type: none"> Powered by 3 x AA Lithium batteries Battery life expectancy - 12 months
	QMotion Regular Minimum Size Maximum Size	650mm wide x 600mm drop 3000mm wide x 3000mm drop
Power Options	Battery – D Cell Alkaline Batteries Included	3AA Lithium – QMotion Small 400mm - 650mm 4 Batteries - Blinds < 1 metre wide 6 Batteries – Blinds 1 metre to 2.5 metres wide 8 Batteries – Blinds 2.5 metres to 3 metres wide
	24 Volt DC	400mm Wide to 3 metres wide maximum drop 3 metres 1.2Amp and 6Amp power supply options
Battery Life	Up to 3 years*	User changeable without removing the blind *Estimate based on 4 movements per day on a blind 1.8m x 2.4m. QMotion small 12 months
Mounting type	Reveal or Face Fit	Universal bracket supports both reveal and face fit installations, as well as standard and reverse roll.
	QBracket	(UB) Universal Bracket – Standard roll, Reverse roll, Face mount, top and side supported. 2 Bracket sizes 66mm and 84mm diameter capacity available in Black, White, Grey. Bracket covers supplied for face fit installation. (DBF) Dual Bracket Fascia– Standard Roll both blinds. Roll diameter size 64mm and 94mm available in Black, White, Grey
Bracket type	QEdge	Side or back mount only Bracket size 38mm, 46mm, 55mm Available in Black, White, Grey, Magnolia Bracket covers supplied for face fit installation.
	Fascia	Side, top and face mount compatible 2 Bracket sizes 66mm and 84mm Reverse roll and Standard roll fascia covers Available in Black, White, Silver (Anodised) Fascia end caps supplied for face fit installation.
	Dual Fascia	Side, top and face mount compatible 2 Bracket sizes 66mm and 84mm Standard Roll both blinds, fascia covers Available in Black, White, Silver (Anodised) Fascia end caps supplied for face fit installation.
Bottom Rail	Ellipse	Ellipse standard colour options
Control	Remote Control	1 channel 5 individual channels + a grouped “all” channel.
	Manual Control	Pull blind down to any lower position Pull downward on bottom bar (approximately 50mm) – Blind rolls up to full open position Slight downward pressure on bottom bar – Blind rolls up to next intermediate position
	Automation	Qsync Apple iOS device supported
	Repeater	QRepeater- Repeats RF Signal for range limited installations

QMotion Manual Operation

5 Year Warranty*

Luxaflex Roller Blinds with QMotion technology are covered by a 5 year warranty* (excluding batteries). *Conditions apply. Refer to www.luxaflex.com.au for Warranty document.

Care and Cleaning

1. Surface dust may be removed with a gentle brush, feather duster or clean, dry cloth.
2. Wipe with a dry sponge.
3. An art gum rubber is excellent for removing small marks.

Battery Replacement

Over time your QMotion blind may start to roll much slower when moving both up and down. This may indicate it is time to change the batteries. When batteries require replacement, it is possible to replace the batteries without removing the blind from the brackets.

To activate the battery replacement process:

1. Press down button on the remote to send the blind to the fully down position
2. When the blind is fully down, pull down gently on the fabric to expose the battery opening on the aluminium tube
3. Release the fabric/blind and the blind will return to the 75% closed position
4. Pull down gently on the fabric to expose the aluminium tube and battery opening a second time, and the blind will remain in that position (without retracting)
5. Replace the batteries by sliding them along and out through the opening
6. Replace all batteries with similar D Cell Alkaline long life batteries, ensure that the positive (+) terminal on the battery is facing the opening
7. Once complete, press the UP button on the remote and the blind will resume operation



Safety Information

Luxaflex Roller blinds with QMotion technology do not contain cords or cord loops, so they are perfect for use in environments with children or pets.

As with any electronic device:

- This appliance is not intended for use by persons (including children) with reduced physical, sensory or mental capabilities, or lack of experience and knowledge, unless they have been given supervision or instruction concerning use of the appliance by a person responsible for their safety.
- Young children should be supervised to ensure that they do not play with the appliance.

