



LVAD2 Verge® Wash Basin – LVA-Series

Key Features

- Sophisticated design integrates a linear open concept
- Single piece molded design eliminates caulk lines and seams
- Standard system comes complete with mounting, access panel, drain assembly, and plumbing connections
- Available with WashBar® Duo in 6 PVD finishes
- Available with Verge™ deck-mounted soap dispensers and faucets in 6 PVD finishes

Specifications

Accommodates one to two users at a time. The unit handles washroom traffic quickly and economically, while providing each user with personal space. The Verge Wash Basin is designed with standard lavatory spacing positioned on 30" centers.

Product Compliance

Listed by IAPMO R&T to

- Uniform Plumbing Code (UPC)
- National Plumbing Code of Canada
- International Plumbing Code (IPC)
- IGC 156 and the requirements of CSA B45.5/IAPMO Z124 and ASME A112.18.1/CSA B125.1
- IGC 127 (WashBar)



Complies with

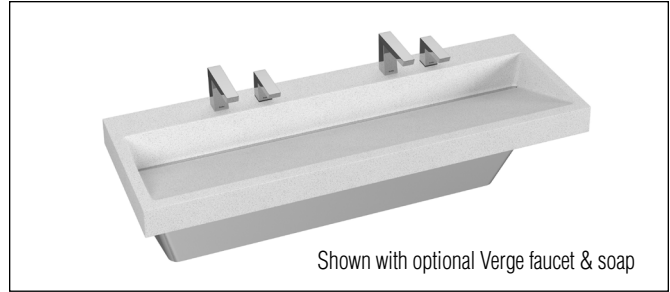
- ADA
- ICC/ANSI 117.1
- TAS
- NSF/ANSI 372



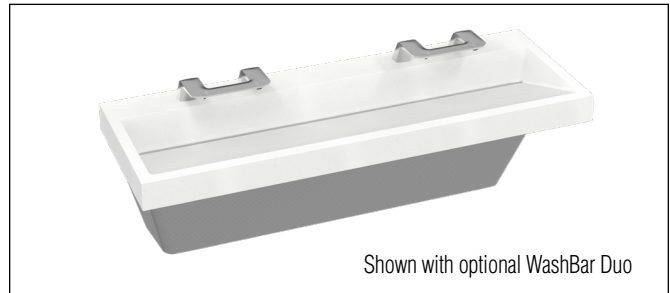
- Serves the American Disabilities Act and ICC/ANSI 117.1 guidelines, citations 306, 308, 309.4, 606.4, 606.5 when installed according to these requirements. Consult local codes and standards.

Listed by UL Environment to

- GreenGuard Gold



Shown with optional Verge faucet & soap



Shown with optional WashBar Duo

Finishes

- Polished Chrome
- Brushed Black Stainless*
- Brushed Stainless*
- Brushed Bronze*
- Brushed Brass*
- Brushed Nickel*

*PVD Finishes, see PVD Finishes section on Page 2.

Compatible Bradley Products

- [Verge Coordinated Soap and Faucet](#)
- [Washbar Duo](#)



This plumbing fixture is designed for hand washing only. It is not intended to dispense water for human consumption through drinking or for preparation of food or beverages.



Construction

Basin

The basin has been designed to direct water to a trench drain and features a 300 series stainless steel drain cap. The basin is constructed of Evero® Geo Series, a natural quartz surface made from a blend of bio-based resin, natural quartz, granite, and other exotic minerals. It is made of 20% recycled content.

Evero Pearl Series is a natural quartz surface made with bio-based resin, sea shells, recycled glass, and natural quartz. It is made of 70% recycled content. Basin is available in all Evero colors.



Variations in the natural stone color, pattern, size, shape, and shade are inherent. Due to these unique characteristics, please expect subtle shade variations when units are installed adjacent to each other.

Access Panel

Minimalistic panel is composed of decorative 300 series stainless steel or black, powder-coated stainless steel. Water supplies, valves, waste assembly, and other optional items are concealed within the panel. Select the enclosed bottom access panel for vandal-prone applications. The swing down access panel is designed to ease the maintenance process by eliminating tools and only requires one person for installation and access. Top edge of the access panel has been hemmed to reduce sharpness.

Support Bracket

Bracket design allows for flexible stud or wall blocking anchor locations. Eliminates the need for in-wall carriers. IAPMO certified to meet or exceed ANSI load requirements.

Faucet Options

Choose from our 0.35 gpm (1.30 Lpm), 0.05 gpc (0.25 Lpc) or 0.50 gpm (1.90 Lpm), 0.09 gpc (0.35 Lpc) Verge Faucets – Crestt, Metro, Linea, or Zen Series. Available in 0.35 gpm (1.30 Lpm), 0.05 gpc (0.25 Lpc) or 0.50 gpm (1.90 Lpm), 0.09 gpc (0.35 Lpc) WashBar Duo WBD1 includes soap dispenser and faucet in a single piece casting. Verge faucets and WashBar Duo come as chrome-plated with optional in-stock PVD finishes. Also available are 4" centerset and centershank faucet drillings for faucets by others.

Soap Dispensers

Choose from our Verge Deck-Mounted Soap Dispensers – Crestt, Metro, Linea, or Zen Series. Also available with WashBar Duo WBD1, foam or liquid soap. WashBar Duo accommodates a 1 gallon cylindrical soap container, provided by others. Verge soap dispensers and WashBar Duo come as chrome-plated with optional in-stock PVD finishes. Soap drillings available for soap by others.

Strainer and Drain Assembly System

Strainer and drain assembly system comes complete with 300 series stainless steel trench drain cap, tailpiece, and polypropylene P-trap. Optional chrome-plated P-trap available. Select the slotted drain cap with vandal-resistant screws for vandal-prone applications. The multi-station system is configured with one drain and one set of supplies to reduce the cost associated with individual drains.

* PVD Finishes

Physical Vapor Deposition is an intricate, environmentally friendly finishing process that molecularly bonds the finish to the faucet, creating a very hard, durable surface that will not corrode, discolor, or tarnish.



LVAD2

Verge® Wash Basin – LVA-Series

Models (Must select one)	
Model	Description
LVAD2	Verge Wash Basin – LVA-Series, Two-Station
Standard Selections (Must select one from each category)	
Country of Installation (select one)	
C1	United States or Canada
Faucet Type (select one)	
WBD1	WashBar Duo (available with soap dispenser type WBD1 only)
S53-3100	Verge Faucet – Crestt Series
S53-3300	Verge Faucet – Metro Series
S53-3500	Verge Faucet – Linea Series
S53-3700	Verge Faucet – Zen Series
WBD1-DO	WashBar Duo Drilling Only
4" Set	4" Centerset (1¼" Drilling Only)
SHANK	Centershank (1¼" Drilling Only)
Faucet Activation Type (select one)	
R	Touch-Free Activation △
NONE	No Activation ▲
Water Supply Type (select one)	
T	Thermostatic Mixing Assembly (supply hoses and shut-offs included)
L	Single Tempered Line Assembly (supply hoses and shut-offs included)
Flow Control Type* (select one)	
3	0.35 gpm Silicone Tip, Multiple Individual Laminar Flow Streams
5	0.50 gpm Silicone Tip, Multiple Individual Laminar Flow Streams
Faucet Finish Type* (select one)	
PC	Polished Chrome
BB	Brushed Black Stainless
BS	Brushed Stainless
BZ	Brushed Bronze
BR	Brushed Brass
BN	Brushed Nickel
<i>Trench drain cap will always have a stainless steel finish.</i>	
Faucet Power Supply (select one)	
AC	AC Power △**
BA	Battery △ – 4x AA alkaline batteries included per faucet
NONE	No Power Supply ▲

Soap Dispenser Type (select one)	
WBD1	WashBar Duo (available with faucet type WBD1 only)
6-3100	Verge Deck-Mounted Soap Dispenser – Crestt Series △
6-3300	Verge Deck-Mounted Soap Dispenser – Metro Series △
6-3500	Verge Deck-Mounted Soap Dispenser – Linea Series △
6-3700	Verge Deck-Mounted Soap Dispenser – Zen Series △
WBD1-DO	WashBar Duo Drilling Only
SDO	1-3/8" Soap Drilling Only
NSD	No Soap Dispenser/No Drilling
Soap Activation Type (select one)	
R	Touch-Free Activation ◇
NONE	No Activation ◆
Soap Type‡ (select one)	
F	Foam Soap
L	Liquid Soap
Soap Fill System ◇ (select one)	
T	Single (top fill at spout)
Soap Dispenser Finish Type‡ (select one)	
PC	Polished Chrome
BB	Brushed Black Stainless
BS	Brushed Stainless
BZ	Brushed Bronze
BR	Brushed Brass
BN	Brushed Nickel
Soap Power Supply (select one)	
AC	AC Power ◇**
BA	Battery ◇ – 4x D-cell batteries included per dispenser
NONE	No Power Supply ◆
Trench Drain Cap Type (select one)	
DR1	Stainless Steel Trench Drain Cap
DR2	Slotted Stainless Steel Trench Drain Cap w/ Vandal Screws
<i>Trench drain cap will always have a stainless steel finish.</i>	

* Available with faucet or WBD1 selection only.

** AC power supply will include either individual AC plug-in adapter or 4-way AC splitter assembly depending on configuration. Refer to the Verge Soap and Faucet Power Supply chart on page 3 to learn what power supply the configurator will pull in.

△ Available with Verge faucet selection only.

▲ Available with faucet drilling only.

◇ Available with Verge soap dispenser selection only.

◆ Available with soap dispenser drilling only.

‡ Available with Verge soap dispensers or WBD1 only.



Standard Selections (continued)			
Color of Evero® Bowl (select one)			
<i>Geo Series</i>			
ANDORRA	Andorra	GLACIER	Glacier Bay
ANTARCTICA	Antarctica	KALAHARI	Kalahari
ARUBA	Aruba	MOJAVE	Mojave
BLACK-SEA	Black Sea	MYKONOS	Mykonos
DENALI	Denali	PATAGONIA	Patagonia
RAINIER	Rainier	SIENA	Sienna
SIERRA	Sierra Madre	YUKON	Yukon
<i>Pearl Series (available at an additional charge) (Non-cancelable, non-returnable)</i>			
AKOYA	Akoya	BLACK-MOON	Black Moon
Access Panel Type (select one)			
STAIN	Swing Down Stainless Steel		
STAIN-E	Swing Down Stainless Steel w/Enclosed Bottom		
PWB	Swing Down Matte Black Powder-Coated Stainless Steel		
PWB-E	Swing Down Matte Black Powder-Coated Stainless Steel w/Enclosed Bottom		
Access Panel Fastener Type (select one)			
TS	Thumb Screw		
VS	Vandal-Resistant Screw		
CL	Cam Lock		
Waste Assembly Type (select one)			
S-POLY	Single Polypropylene P-Trap		
S-CHROME	Single Chrome-Plated P-Trap		

- * Available with faucet or WBD1 selection only.
- ** AC power supply will include either individual AC plug-in adapter or 4-way AC splitter assembly depending on configuration.
- △ Available with faucet selection only.
- ▲ Available with faucet drilling only.
- ◇ Available with soap dispenser selection only.
- ◆ Available with soap dispenser drilling only.

Verge Soap and Faucet Power Supply

	1-Station	2-Station	3-Station
Faucet Only	AC Adapter X 1 1 duplex outlet required	AC Adapter X 2 1 duplex outlet required	AC Splitter X 1 1 duplex outlet required
Soap Only	AC Adapter X 1 1 duplex outlet required	AC Adapter X 1 1 duplex outlet required	AC Splitter X 1 1 duplex outlet required
Faucet & Soap	AC Adapter X 2 1 duplex outlet required	AC Adapter X 1 1 duplex outlet required	AC Splitter X 2 1 duplex outlet required
Soap & Multi-Feed	NA	NA	AC Splitter X 1 1 duplex outlet required
Faucet, Soap, & Multi-Feed	NA	NA	AC Splitter X 2 1 duplex outlet required

Note: AC power supply will include either individual AC plug-in adapter OR 4-way splitter assembly depending on the configuration.



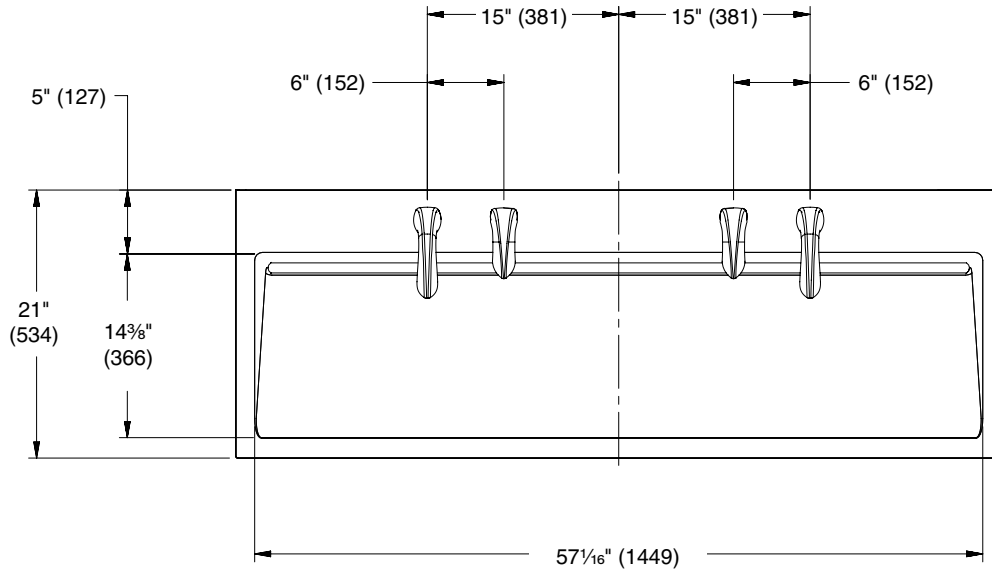
LVAD2 Verge® Wash Basin – LVA-Series

Dimensions for LVAD2 Verge Wash Basin (Shown with Crestt Series Faucet and Soap)

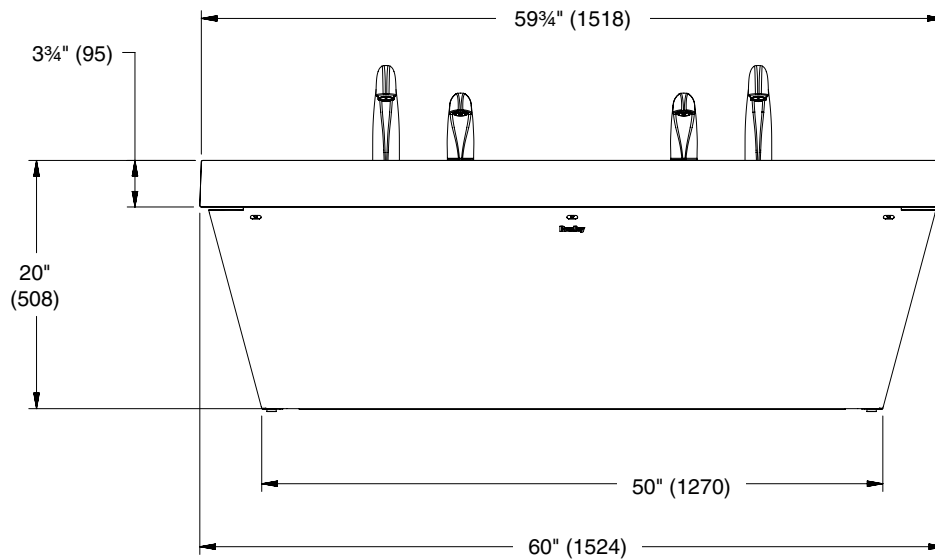
(mm)

For dimensional views of the LVAD2 Verge Wash Basin with WashBar Duo, reference [WashBar Duo WBD1 tech data](#).

Top View



Front View



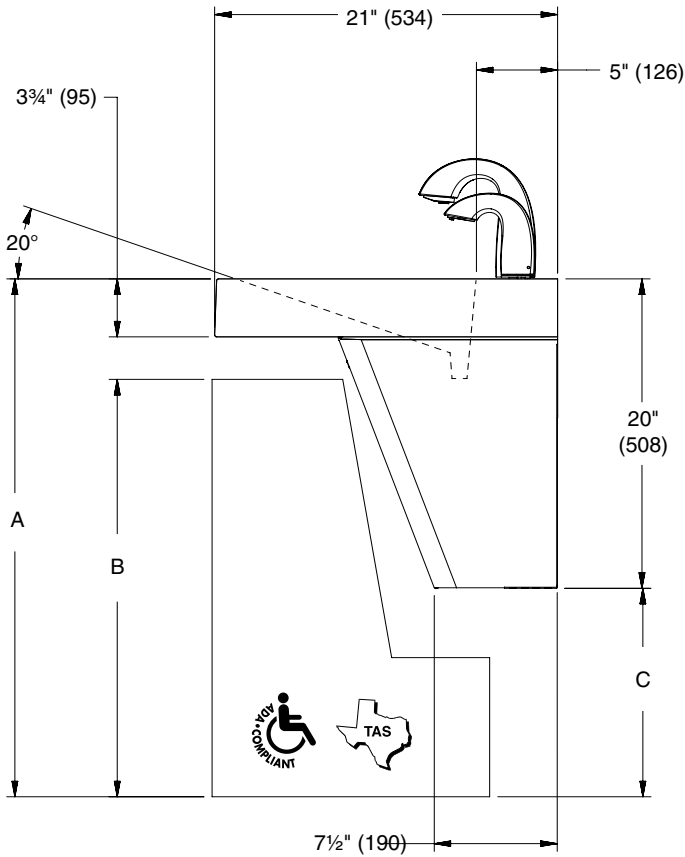


LVAD2 Verge® Wash Basin – LVA-Series

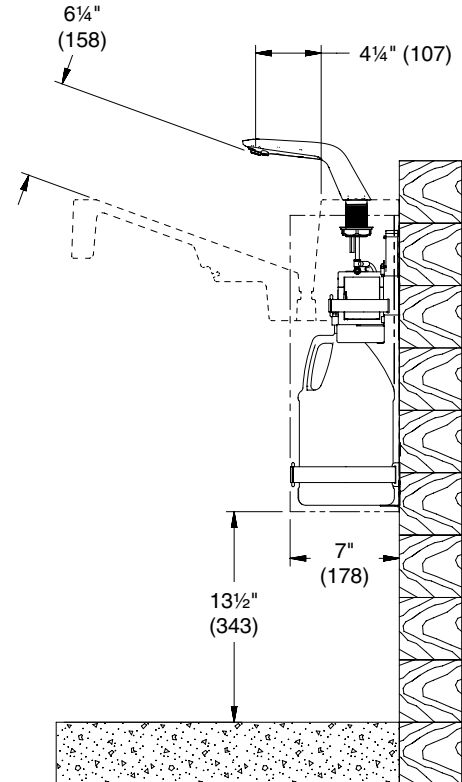
Dimensions for LVAD2 Verge Wash Basin

(mm)

Side View with Faucet



Side View with WashBar Duo



	ADA/TAS Standard Height	ADA/TAS Juvenile Height (Children 6-12 years)	CSA Standard Height
Dim A	33 1/2" (851)	30 1/2" (775)	33 1/2" (851)
Dim B	27" (686)	24" (610)	29 29/32" (760)
Dim C	13 1/2" (343)	10 1/2" (267)	13 1/2" (536)
Notes	At least one basin must meet the dimensional requirements and have proper reach, knee, and toe clearance	At least one basin must meet the dimensional requirements and have proper reach, knee, and toe clearance	



LVAD2 Verge® Wash Basin – LVA-Series

Rough-Ins for LVAD2 Verge Wash Basin

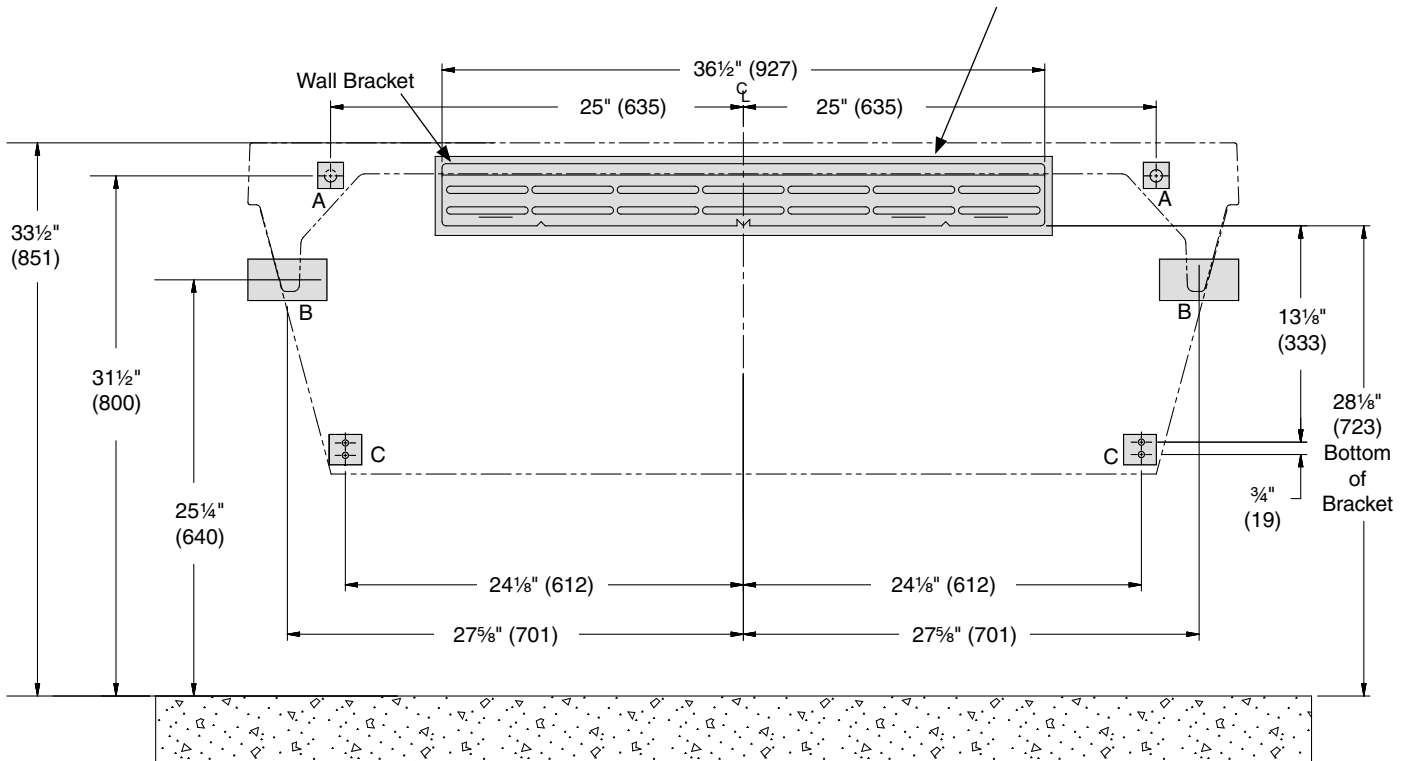
(mm)

For rough-in information for LVAD2 Verge Wash Basin with WashBar Duo, reference [WashBar Duo WBD1 tech data](#).

⚠ WARNING Ensure bowl is completely seated in the wall bracket and securely fastened to the wall at point A.

- Mounting for Standard, ADA, and TAS height shown.
- Points A, B, and C require sufficient backing compliant with local building codes.

Secure bracket to wall using min. (2) 3/8" anchor bolts to the left of C/L and min. (2) 3/8" anchor bolts to the right of C/L. The (2) anchor bolts to the right of C/L must be min. 16" apart from the anchor bolts to the left of C/L. When mounting is complete, check to ensure the bracket is level. See Step 1: Bracket Mounting for more information.



CODE	DESCRIPTION	QTY.
A	Install (1) 3/8" wall anchor with a minimum pull-out force of 1,000 lb per local codes at locations shown.	2
B	Provide structural backing compliant with local building codes.	2
C	Install wall anchor with a minimum pull-out force of 100 lb per local codes at locations shown.	4

RIM HEIGHT	VERTICAL HEIGHT ADJUSTMENTS	FIXTURE STYLE
33-1/2"	No Adjustment	Standard Height, ADA, TAS, and CSA
30-1/2"	Subtract 3"	Juvenile, ADA, and TAS

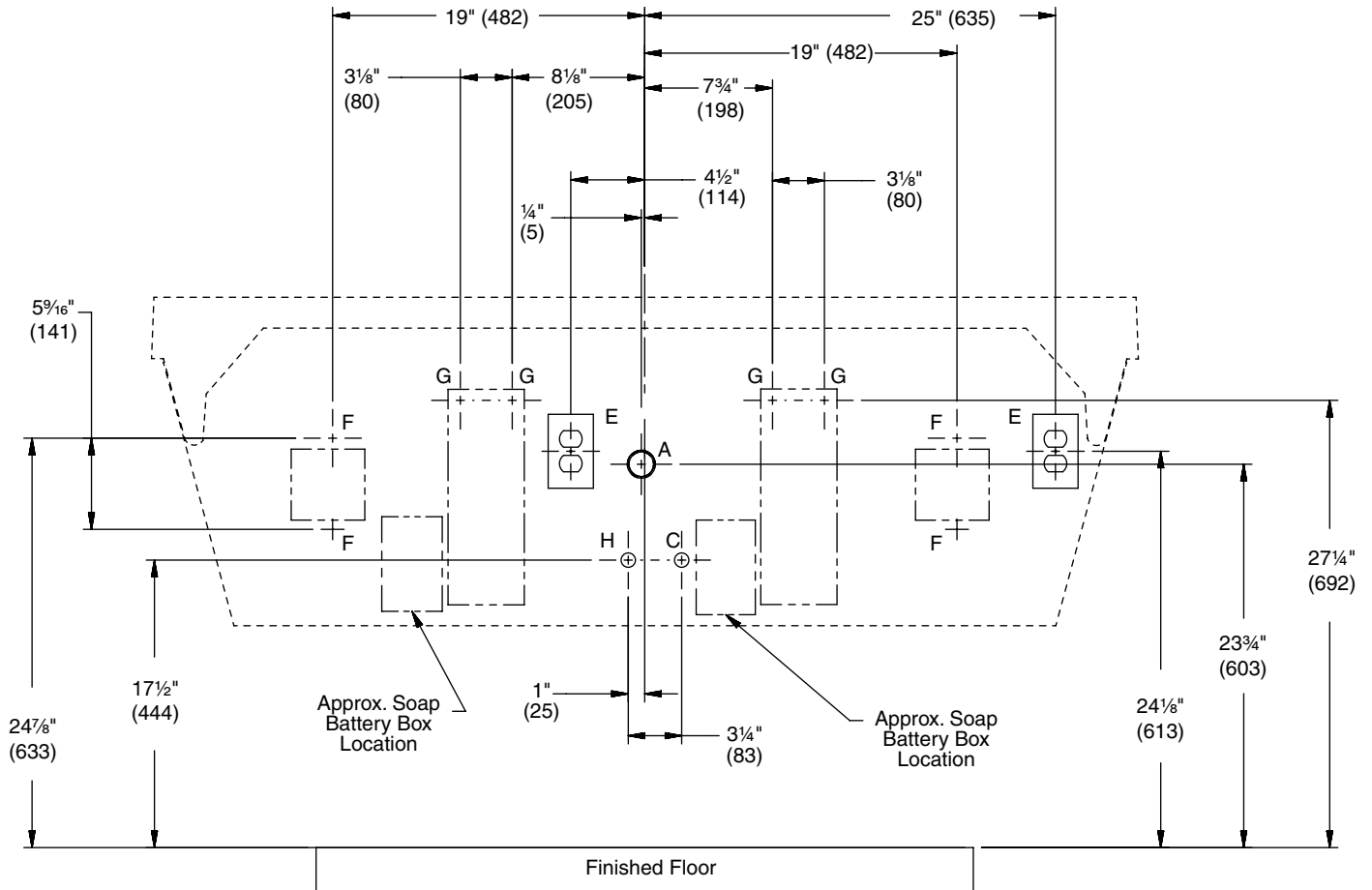


LVAD2 Verge® Wash Basin – LVA-Series

Plumbing & Electrical Rough-Ins for LVAD2 Verge Wash Basin

(mm)

Mounting for Standard, ADA, and TAS height shown.



CODE	DESCRIPTION	QTY.
A	1 1/2" NPT Drain, Stub-out 2" from wall	1
H,C	1/2" Nominal (5/8" O.D. Comp.) Hot/Cold supplies, Stub-out 2" from wall	1
E	110V GFI protected electrical outlet WashBar Duo requires 120V AC, GFCI outlet properly grounded	2
F	#10 Anchors for Faucet Control Box Installation	4
G	#10 Anchors for Soap Tank Installation	4