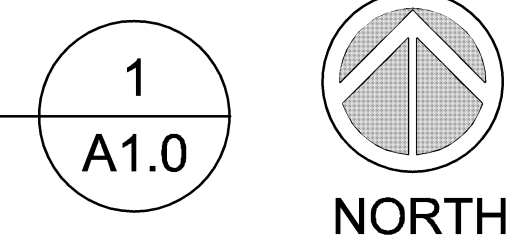


**FLOOR PLAN**  
SCALE: 1/8" = 1'-0"



ROOM FINISH SCHEDULE											
ROOMS		FINISHES							REMARKS		
ROOM NO.	ROOM NAME	FLOOR	BASE		WALLS				CEILING		
			MATERIALS	CURB	NORTH	EAST	SOUTH	WEST	TYPE	HEIGHT	
A101	EXISTING GARAGE	CONC	RB	-	P1	P1	P1	P1	CL5	-	EXISTING CERAMIC TILE FLOORING TO BE REMOVED
A102	EXISTING OFFICE	CAR	RB	-	P1	P1	P1	P1	CL1	-	EXISTING CERAMIC TILE FLOORING TO BE REMOVED
A103	EXISTING WOMENS	CFT	RB	-	P1	P1	P1	P1	CL1	-	EXISTING CERAMIC TILE FLOORING TO BE REMOVED
A104	EXISTING MENS	CFT	RB	-	P1	P1	P1	P1	CL1	-	EXISTING CERAMIC TILE FLOORING TO BE REMOVED
A105	EXISTING MECHANICAL ROOM	CONC	RB	-	CMU	CMU	CMU	CMU	CL5	-	EXISTING CERAMIC TILE FLOORING TO BE REMOVED
A106	OFFICE	CAR	RB	-	P1	P1	P1	P1	CL1	MATCH EX.	EXISTING CERAMIC TILE FLOORING TO BE REMOVED

FLOORING	BASE	WALLS	CEILING
CONC. EXPOSED CONCRETE	RB RUBBER COVERED BASE - 4" HIGH	P1 PAINT - ACRYLIC LATEX	CL1 2X8 LAY-IN
CAR CARPET	RB PORCELAIN TILE BASE	CKT CERAMIC WALL TILE	CL2 2X2 LAY-IN
LN SHEET LINOLEUM	CPS CERAMIC TILE BASE	PWT PORCELAIN WALL TILE	CL3 2X2 LAY-IN VINYL COVERED GYPSUM
YCT 12" X 12" VINYL COMPOSITION TILE	BC BEAD OF CAULK	CMU CONCRETE MASONRY UNIT	CL4 PAINTED GYPSUM WALL BOARD
CFT CERAMIC FLOOR TILE			CL5 EXPOSED STRUCTURE UNPAINTED

4th DIMENSION DESIGN, INC.  
817 Venture Court, Waukesha, Wisconsin 53189  
(262) 896-6500 FAX: (262) 896-6505

Total Building Services of Wisconsin, LLC  
250 S. Executive Drive #301  
Brookfield, WI 53005  
414-218-5832

**THE HERTZ CORP.**  
TENNANT IMPROVEMENTS  
2101 DARWIN ROAD  
MADISON, WI. 53704

REV.	DATE	DESCRIPTION

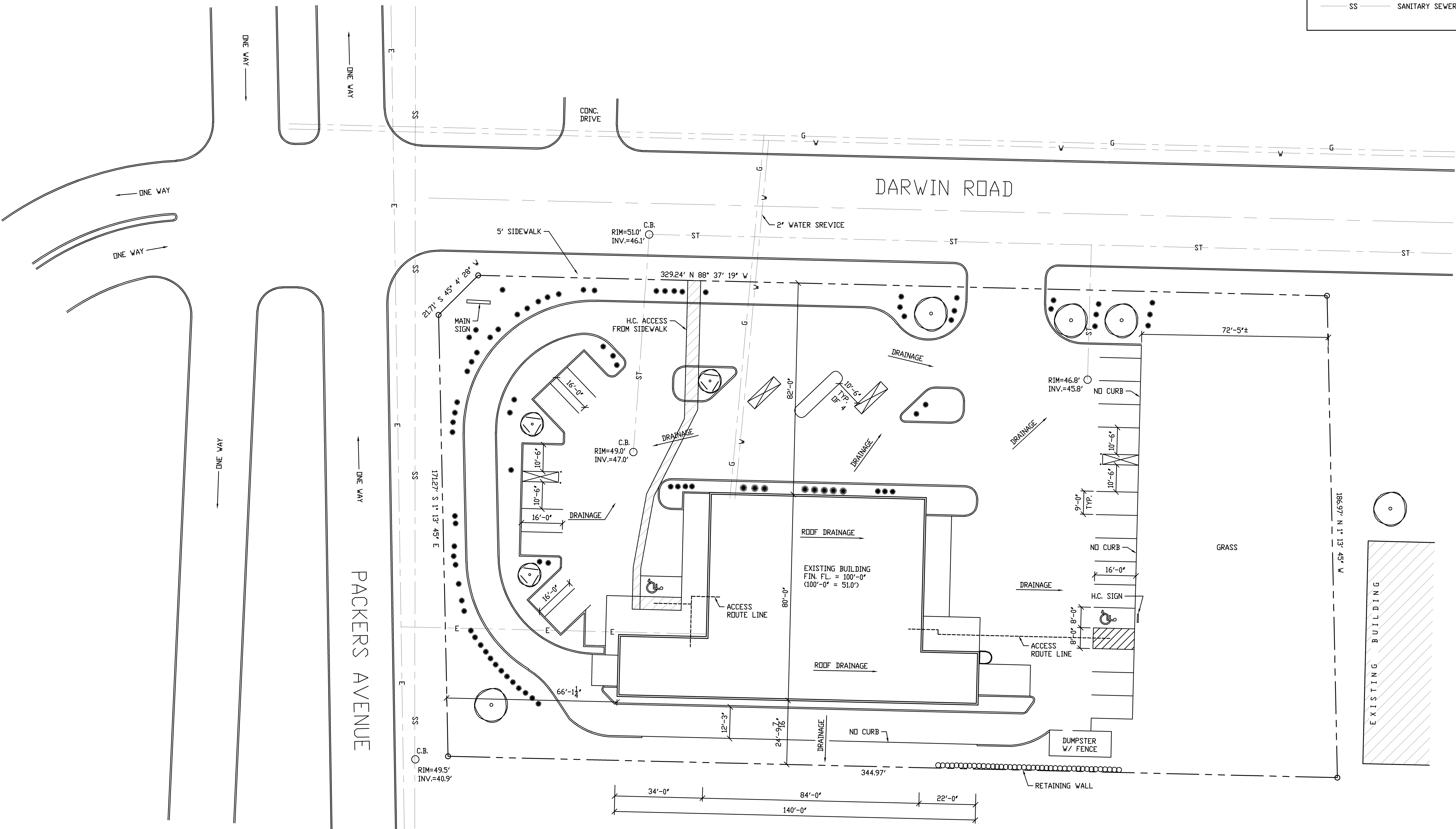
DATE: 05/01/13

BY: KMR

SCALE: AS SHOWN

FLOOR PLAN

DRAWING NO:  
**A1.0**



SITE LEGEND	
	= EXISTING DECIDUOUS TREE
	= EXISTING ORNAMENTAL TREE
	= EXISTING EVERGREEN SHRUB
	PROPERTY LINE CORNER
	ACCESSIBLE ROUTE
	E ELECTRICAL LINE
	G GAS LINE
	ST STORM SEWER
	W WATER LINE
	SS SANITARY SEWER

**EXISTING SITE & LANDSCAPING PLAN**

SCALE: 1" = 20'-0"

1  
C1.0



4th DIMENSION DESIGN, INC.  
817 Venture Court, Waukesha, Wisconsin 53189  
(262) 886-6500 FAX: (262) 886-6505

Total Building Services of Wisconsin, LLC

250 S. Executive Drive #301  
Brookfield, WI 53005  
414-218-5832

**THE HERTZ CORP.**

TENANT IMPROVEMENTS  
2101 DARWIN ROAD  
MADISON, WI. 53704

REV.	DATE	DESCRIPTION
1	06-03-13	GENERAL REVISION

DATE: 05/01/13

BY: KMR

SCALE: AS SHOWN

EXISTING SITE PLAN

DRAWING NO:  
**C1.0**

LANDSCAPING						
PLANT TYPE	MIN. SIZE	POINTS	EXISTING		PROPOSED (ADDED)	
			QTY	POINTS	QTY	POINTS
OVERSTORY DECIDUOUS TREE	2 1/2" CALIPER	35	4	140	0	0
ORNAMENTAL TREE	1 1/2" CALIPER	15	3	45	-1	-15
EVERGREEN TREE	3 FT. TALL	15	0	0	20	300
EVERGREEN SHRUB	18" DR 3 GAL	3	84	252	14	42
<b>TOTALS</b>				437		327
			TOTAL POINTS REQUIRED = 168		TOTAL POINTS PROPOSED = 764	

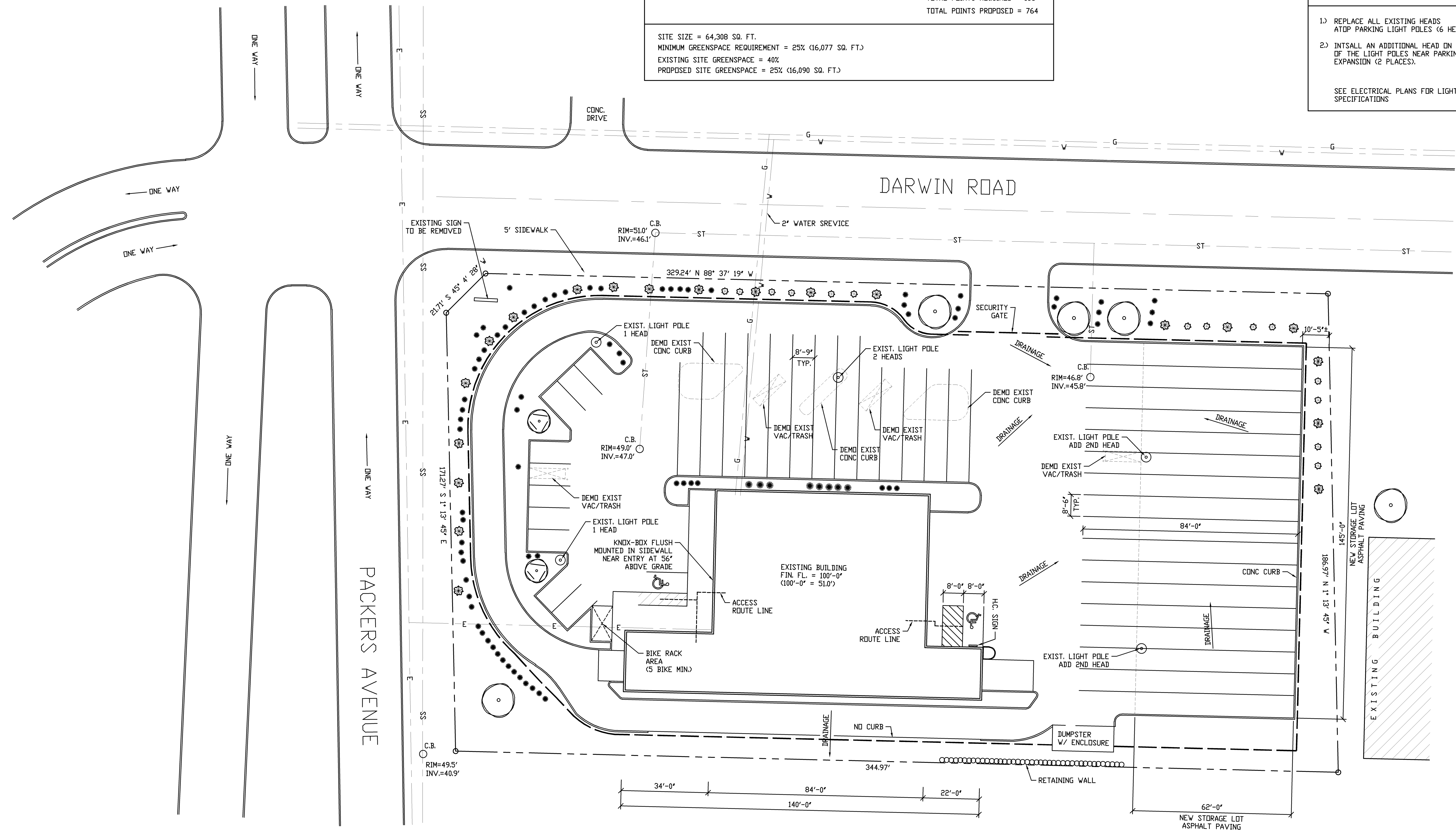
SITE SIZE = 64,308 SQ. FT.  
 MINIMUM GREENSPACE REQUIREMENT = 25% (16,077 SQ. FT.)  
 EXISTING SITE GREENSPACE = 40%  
 PROPOSED SITE GREENSPACE = 25% (16,090 SQ. FT.)

- = EXISTING DECIDUOUS TREE
- = EXISTING ORNAMENTAL TREE
- = EVERGREEN TREE
- = EVERGREEN SHRUB
- = EXISTING EVERGREEN SHRUB

**SITE LEGEND**

- PROPERTY LINE
- CORNER
- NEW FENCE  
6 FT TALL MONTAGE PLUS  
3 RAIL CLASSIC  
BLACK

- SITE LIGHTING**
- REPLACE ALL EXISTING HEADS ATOP PARKING LIGHT POLES (6 HEADS).
  - INSTALL AN ADDITIONAL HEAD ON EACH OF THE LIGHT POLES NEAR PARKING LOT EXPANSION (2 PLACES).
- SEE ELECTRICAL PLANS FOR LIGHTING SPECIFICATIONS



**PROPOSED SITE & LANDSCAPING PLAN**  
 SCALE: 1" = 20'-0"

1  
C1.0

NORTH

4th DIMENSION DESIGN, INC.  
 817 Venture Court, Waukesha, Wisconsin 53189  
 (262) 886-6500 FAX: (262) 886-6505

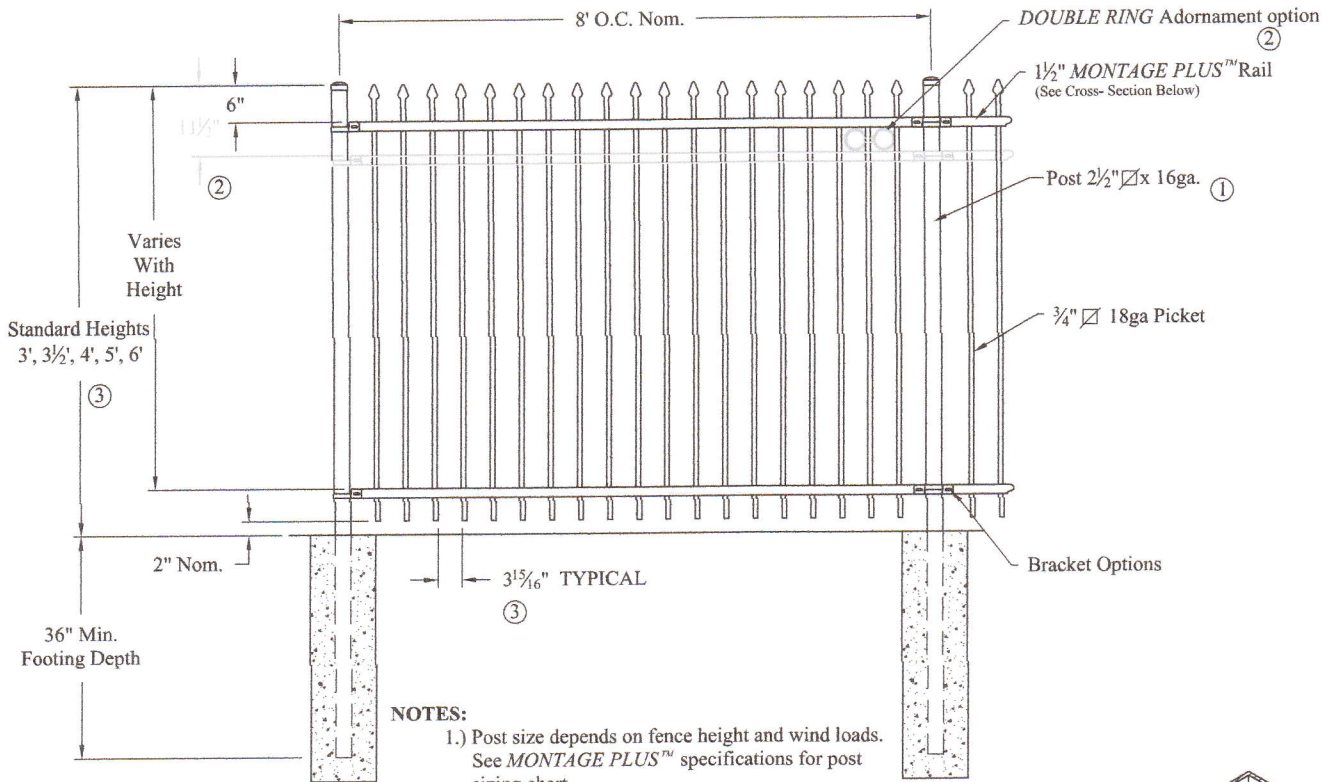
Total Building Services of Wisconsin, LLC  
 250 S. Executive Drive #301  
 Brookfield, WI 53005  
 414-218-5832

**THE HERTZ CORP.**  
 TENANT IMPROVEMENTS  
 2101 DARWIN ROAD  
 MADISON, WI. 53704

REV.	DATE	DESCRIPTION
1	06-03-13	GENERAL REVISION

DATE: 05/01/13  
 BY: KMR  
 SCALE: AS SHOWN  
 PROPOSED SITE PLAN

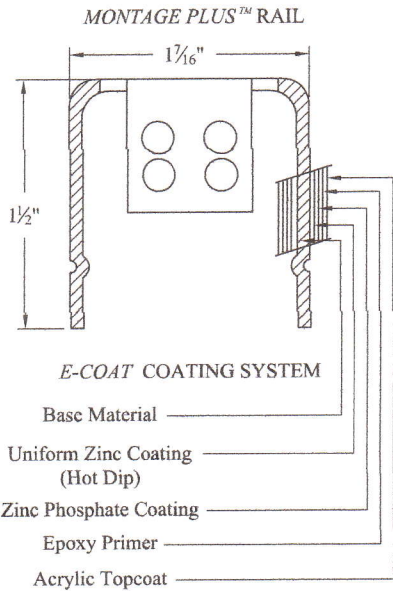
DRAWING NO:  
**C1.1**



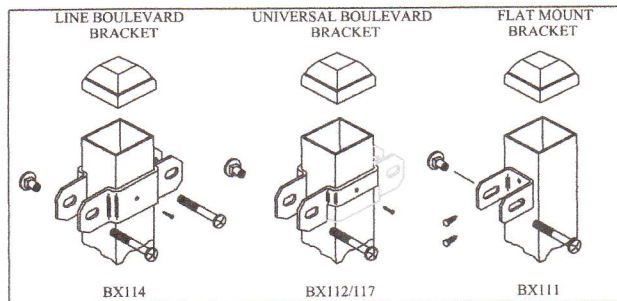
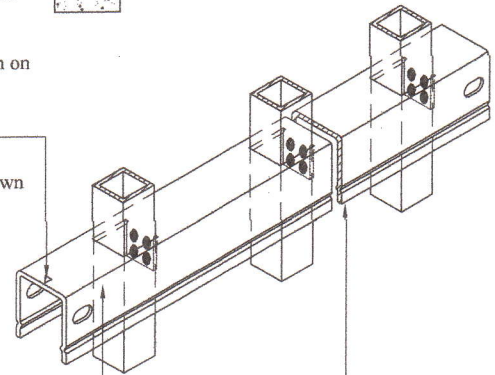
**NOTES:**

- 1.) Post size depends on fence height and wind loads. See MONTAGE PLUS™ specifications for post sizing chart.
- 2.) Third rail required for Double Rings.
- 3.) Available in 3" air space and/or Flush Bottom on most heights.

**RAKING DIRECTIONAL ARROW**  
 Welded panel can be raked 30" over 8' with arrow pointing down grade.



**PROFUSION™ WELDING PROCESS**  
 No exposed welds,  
 Good Neighbor profile - Same appearance on both sides



**COMMERCIAL STRENGTH WELDED STEEL PANEL**  
**PRE-ASSEMBLED**

Values shown are nominal and not to be used for installation purposes. See product specification for installation requirements.

1RCISO

Title: **MONTAGE PLUS CLASSIC 2/3-RAIL**

DR: CI SH. 1 of 1 SCALE: DO NOT SCALE

CK: ME Date 6/28/10 REV: e



**AMERISTAR®**

1555 N. Mingo  
 Tulsa, OK 74116  
 1-888-333-3422  
 www.ameristarfence.com





**DESCRIPTION**

The Galleon™ LED luminaire delivers exceptional performance in a highly scalable, low-profile design. Patented, high-efficiency AccuLED Optics™ system provides uniform and energy conscious illumination to walkways, parking lots, roadways, building areas and security lighting applications. IP66 rated and UL/cUL Listed for wet locations.

**SPECIFICATION FEATURES**

**Construction**

Extruded aluminum driver enclosure thermally isolated from Light Squares for optimal thermal performance. Heavy-wall, die-cast aluminum end caps enclose housing and die-cast aluminum heat sinks. A unique, patent pending interlocking housing and heat sink provides scalability with superior structural rigidity. 3G vibration tested. Optional tool-less hardware available for ease of entry into electrical chamber. Housing is IP66 rated.

**Optics**

Choice of 12 patented, high-efficiency AccuLED Optics™ manufactured from injection molded acrylic. Optics are precisely designed to shape the distribution maximizing efficiency and application spacing. AccuLED Optics create consistent distributions with the scalability to meet customized application requirements. Offered standard in 4000K (+/- 275K) CCT and nominal

70 CRI. Optional 6000K CCT and 3000K CCT (80 CRI).

**Electrical**

LED drivers are mounted to removable tray assembly for ease of maintenance. 120-277V 50/60Hz, 347V 60Hz or 480V 60Hz operation. Shipped standard with Cooper Lighting proprietary circuit module designed to withstand 10kV of transient line surge. The Galleon LED luminaire is suitable for operation in -40°C to 40°C ambient environments. For applications with ambient temperatures exceeding 40°C, specify the HA (High Ambient) option. Light Squares are IP66 rated. 90% lumen maintenance expected at 60,000 hours.

**Mounting**

Extruded aluminum arm includes internal bolt guides allowing for easy positioning of fixture during assembly. Designed for pole or wall mounting. When mounting two or more luminaires at 90°

or 120° apart, specify the EA extended arm option. For wall mounting, specify wall mount bracket option. 3G vibration rated.

**Finish**

Housing finished in Super durable TGIC polyester powder coat paint, 2.5 mil nominal thickness for superior protection against fade and wear. Heat sink is powder coated black. Standard colors include black, bronze, grey, white, dark platinum and graphite metallic. RAL and custom color matches available. Consult the McGraw-Edison Architectural Colors brochure for the complete selection.

**Warranty**

Five-year warranty.

**McGRAW-EDISON®**



<b>Catalog #</b>		<b>Type</b>	
<b>Project</b>		<b>Date</b>	
<b>Comments</b>			
<b>Prepared by</b>			



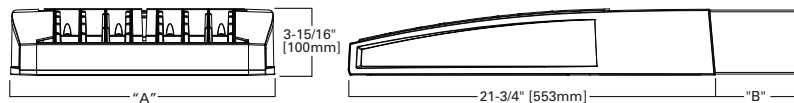
**GLEON GALLEON LED**

**2-10 Light Squares  
Solid State LED**

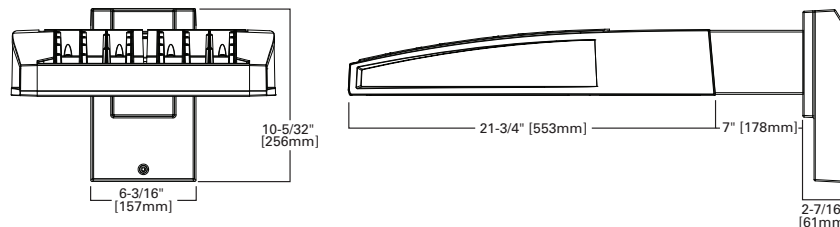
**AREA/SITE LUMINAIRE**

**DIMENSIONS**

**POLE MOUNT**



**WALL MOUNT**



**DIMENSION DATA**

Number of Light Squares	"A" Width	"B" Standard Arm Length	"B" Optional Arm Length <sup>1</sup>	Weight with Arm (lbs.)	EPA with Arm <sup>2</sup> (Sq. Ft.)
2-4	15-1/2" (394mm)	7" (178mm)	10" (254mm)	33 (15.0 kgs.)	0.96
5-6	21-5/8" (549mm)	7" (178mm)	10" (254mm)	44 (20.0 kgs.)	1.00
7-8	27-5/8" (702mm)	7" (178mm)	13" (330mm)	54 (24.5 kgs.)	1.07
9-10	33-3/4" (857mm)	7" (178mm)	16" (406mm)	63 (28.6 kgs.)	1.12

NOTES: 1. Optional arm length to be used when mounting two fixtures at 90° on a single pole. 2. EPA calculated with optional arm length.

**CERTIFICATION DATA**

UL/cUL Wet Location Listed  
ISO 9001  
LM79 / LM80 Compliant  
3G Vibration Rated  
ARRA Compliant  
DesignLights™ Consortium Qualified\*  
IP66 Rated

**ENERGY DATA**

Electronic LED Driver  
>0.9 Power Factor  
<20% Total Harmonic Distortion  
120V-277V 50/60Hz  
347V & 480V 60Hz  
-40°C Min. Temperature  
40°C Max. Temperature  
50°C Max. Temperature (HA Option)



Submitted by Enterprise Lighting, LTD.



**Job Name:**  
The Hertz Corp

**Catalog Number:**  
GLEON-AA-03-LED-E1-T3-BZ

Notes:

**Type:**

**OA**

ELL13-33516

**GLEON GALLEON LED**

**POWER AND LUMENS BY LIGHT SQUARE COUNT**

Number of Light Squares	2	3	4	5	6	7	8	9	10	
Power (Wattage)	103	154	206	257	309	360	412	463	515	
Current @ 120V (A)	0.86	1.29	1.72	2.15	2.58	3.01	3.44	3.87	4.30	
Current @ 277V (A)	0.38	0.57	0.76	0.95	1.14	1.33	1.52	1.71	1.90	
<b>Optics</b>										
T2	Lumens	8,372	12,245	16,131	19,993	23,493	27,458	31,329	35,095	38,720
	BUG Rating	B2-U0-G2	B3-U0-G3	B3-U0-G3	B3-U0-G3	B3-U0-G3	B4-U0-G4	B4-U0-G4	B4-U0-G4	B4-U0-G4
T3	Lumens	8,340	12,198	16,069	19,916	23,403	27,353	31,209	34,961	38,572
	BUG Rating	B2-U0-G2	B3-U0-G3	B3-U0-G3	B3-U0-G3	B4-U0-G4	B4-U0-G4	B4-U0-G4	B4-U0-G4	B4-U0-G5
T4	Lumens	7,995	11,694	15,405	19,093	22,436	26,222	29,919	33,516	36,978
	BUG Rating	B1-U0-G2	B2-U0-G2	B2-U0-G3	B3-U0-G3	B3-U0-G4	B3-U0-G4	B3-U0-G4	B3-U0-G5	B3-U0-G5
SL2	Lumens	8,201	11,996	15,803	19,586	23,015	26,899	30,692	34,382	37,933
	BUG Rating	B2-U0-G2	B2-U0-G2	B2-U0-G2	B3-U0-G3	B3-U0-G3	B3-U0-G4	B3-U0-G4	B3-U0-G4	B3-U0-G4
SL3	Lumens	8,101	11,849	15,609	19,345	22,732	26,569	30,314	33,959	37,467
	BUG Rating	B1-U0-G2	B2-U0-G2	B2-U0-G3	B3-U0-G3	B3-U0-G4	B3-U0-G4	B3-U0-G4	B3-U0-G5	B3-U0-G5
SL4	Lumens	8,237	12,048	15,871	19,671	23,115	27,016	30,824	34,530	38,097
	BUG Rating	B2-U0-G2	B2-U0-G2	B3-U0-G3	B3-U0-G4	B3-U0-G4	B3-U0-G4	B3-U0-G5	B3-U0-G5	B3-U0-G5
5MQ	Lumens	8,797	12,867	16,951	21,009	24,687	28,853	32,921	36,879	40,688
	BUG Rating	B3-U0-G2	B4-U0-G2	B4-U0-G2	B4-U0-G2	B5-U0-G3	B5-U0-G3	B5-U0-G4	B5-U0-G4	B5-U0-G4
5WQ	Lumens	8,745	12,791	16,850	20,884	24,540	28,681	32,725	36,659	40,446
	BUG Rating	B3-U0-G2	B4-U0-G2	B4-U0-G3	B5-U0-G3	B5-U0-G3	B5-U0-G4	B5-U0-G4	B5-U0-G4	B5-U0-G4
5XQ	Lumens	8,531	12,478	16,437	20,373	23,940	27,979	31,924	35,762	39,456
	BUG Rating	B3-U0-G3	B4-U0-G3	B4-U0-G4	B5-U0-G4	B5-U0-G5	B5-U0-G5	B5-U0-G5	B5-U0-G5	B5-U0-G5
RW	Lumens	8,359	12,226	16,106	19,962	23,457	27,415	31,280	35,041	38,660
	BUG Rating	B3-U0-G3	B3-U0-G3	B3-U0-G3	B4-U0-G4	B4-U0-G4	B4-U0-G4	B4-U0-G4	B5-U0-G5	B5-U0-G5
SLL/ SLR	Lumens	7,835	11,459	15,096	18,710	21,986	25,696	29,319	32,844	36,236
	BUG Rating	B1-U0-G3	B2-U0-G4	B2-U0-G5	B2-U0-G5	B3-U0-G5	B3-U0-G5	B3-U0-G5	B3-U0-G5	B3-U0-G5

**LUMEN MULTIPLIER**

Ambient Temperature	Lumen Multiplier
10°C	1.04
15°C	1.03
25°C	1.00
40°C	0.96
50°C	0.92

**LUMEN MAINTENANCE**

Ambient Temperature	TM-21 Lumen Maintenance (60,000 Hours)	Theoretical L70 (Hours)
25°C	> 94%	> 350,000
40°C	> 93%	> 250,000
50°C	> 90%	> 170,000

**LIGHT SQUARE OPERATION WITH 2L BI-LEVEL SWITCHING**

Number of Light Squares	Circuit 1	Circuit 2
2	1	1
3	2	1
4	2	2
5 (120-277V only)	3	2
6 (120-277V only)	3	3
7	4	3
8	4	4
9	5	4
10 (120-277V)	5	5
10 (347-480V)	6	4