



**FLUID**<sup>®</sup>  
FIT AND FORGET

**DTC**  
Global Quality Benchmark



**Perfect Mix of Function and Elegance**

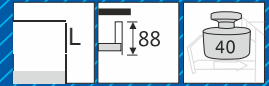
# **MAGIC STAR DRAWER SERIES**



**Metal Straight-sided Slim Drawer**

**03F**

# 03F Series Magic Star Drawer System



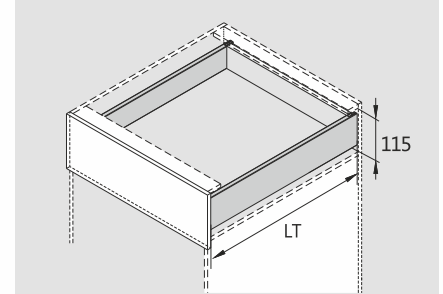
## PRODUCT



## DESCRIPTION

- Concealed, full extension
- Dynamic load capacity : 40 kg
- Tool free assembly and removal of drawer
- Silent system guarantees smooth run without noise
- 3D adjustment : Up & down adjustment :  $\pm 2$ mm, left & right adjustment :  $\pm 1.5$ mm, tilt adjustment : + 1.5, -2.5mm
- Finish : Grey Matt, White

## SPACE REQUIREMENT



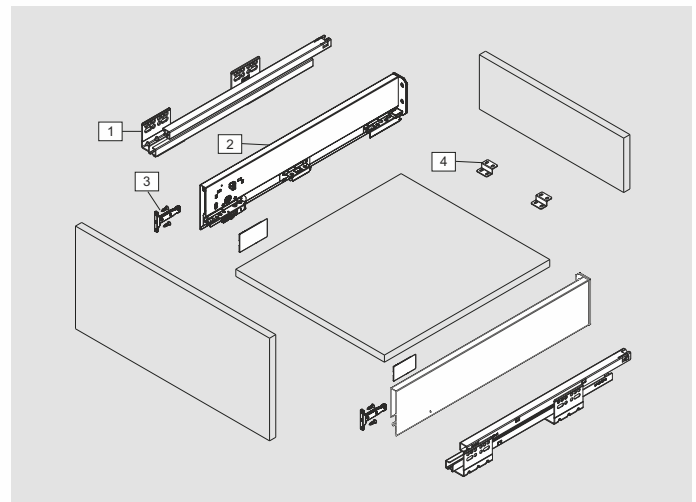
LT=Internal Cabinet Depth  
LT=NL+3

## LOWER DRAWER FOR WOOD DRAWER BACK

1			
Drawer Sides, Slides and Cover Caps (Left/Right)			
Grey Matt. (G) / White (W)			
NL	Item Code	Set/Ctn	
300 mm	03F30300	4	
350 mm	03F30350	4	
400 mm	03F30400	4	
450 mm	03F30450	4	
500 mm	03F30500	4	
550 mm	03F30550	4	
600 mm	03F30600	4	

2	
Fixing-Brackets (Left/Right)	

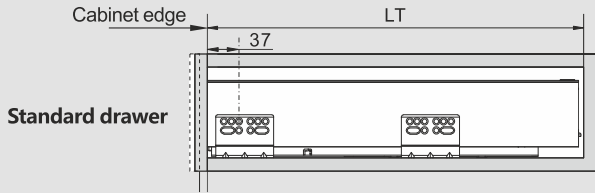
3	
Front Fixing-Brackets (Left/Right)	



**PLANNING**

**Installation Dimensions(mm)**

NL=Nominal Slide Length  
LT=Internal Cabinet Depth  
LT=NL+3



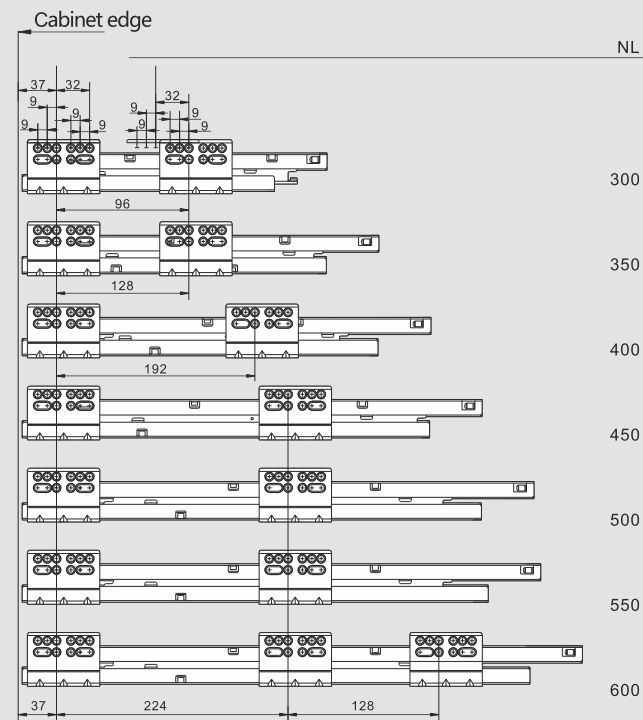
**Cabinet Configuration**

Cabinet widths/KB (mm)

300
350
400
450
500
600
800
900
1000
1200

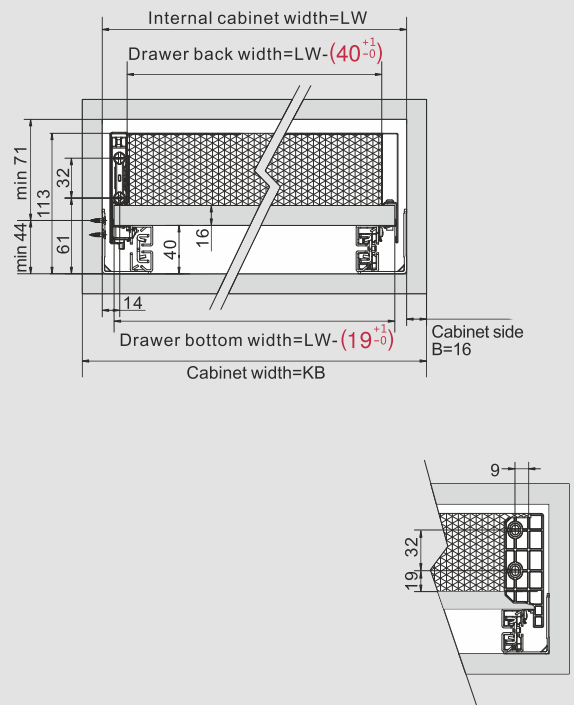
Stabilizer or push-open synchronization device recommended for cabinet widths 800,900,1000,1200mm

**Screw Positions of the Slides(mm)**



**Installation Dimensions(mm)**

LW=Internal Cabinet Width



**Drawer Front, Back and Bottom Dimensions(mm)**

**Drawer Front**

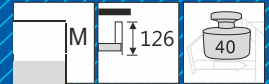
**Back**  
63mm

**Bottom**  
Wood back  
NL-29 mm  
Steel back  
NL-27 mm

KB Cabinet width  
LW Internal cabinet width  
NL Nominal length

03F DOUBLE WALL DRAWER SERIES

# 03F Series Magic Star Drawer System



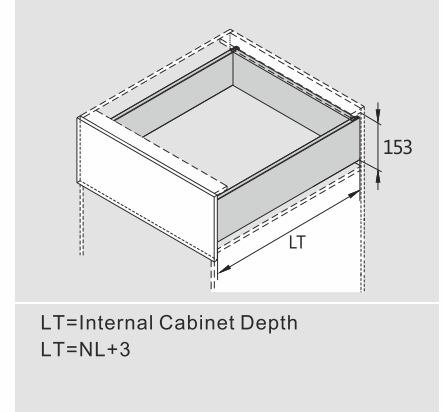
## PRODUCT



## DESCRIPTION

- Concealed, full extension
- Dynamic load capacity : 40 kg
- Tool free assembly and removal of drawer
- Silent system guarantees smooth run without noise
- 3D adjustment : Up & down adjustment :  $\pm 2$ mm, left & right adjustment :  $\pm 1.5$ mm, tilt adjustment : + 1.5, -2.5mm
- Finish : Grey Matt, White

## SPACE REQUIREMENT

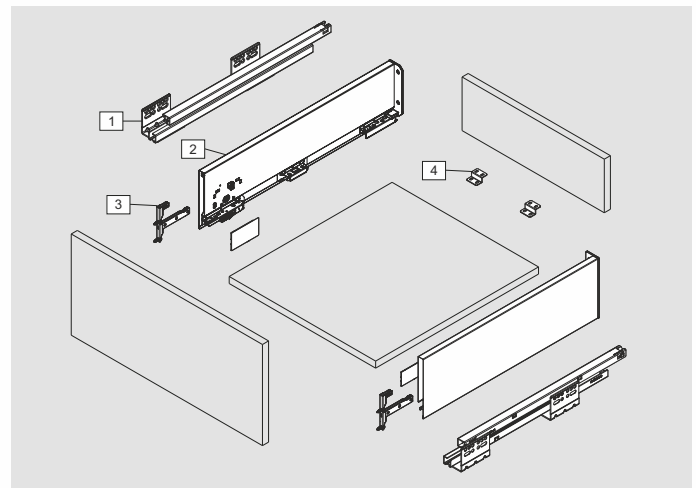


## MEDIUM DRAWER FOR WOOD DRAWER BACK

1			
Drawer Sides, Slides and Cover Caps (Left/Right)			
Grey Matt. (G) / White (W)			
NL	Item Code	Set/Ctn	
300 mm	03F31300	4	
350 mm	03F31350	4	
400 mm	03F31400	4	
450 mm	03F31450	4	
500 mm	03F31500	4	
550 mm	03F31550	4	
600 mm	03F31600	4	

2	
Fixing-Brackets (Left/Right)	

3	
Front Fixing-Brackets (Left/Right)	

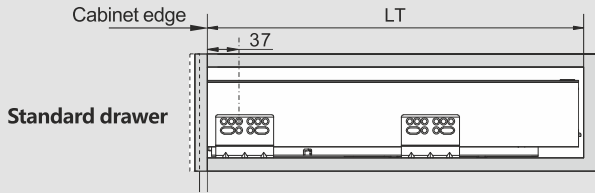




**PLANNING**

**Installation Dimensions(mm)**

NL=Nominal Slide Length  
LT=Internal Cabinet Depth  
LT=NL+3



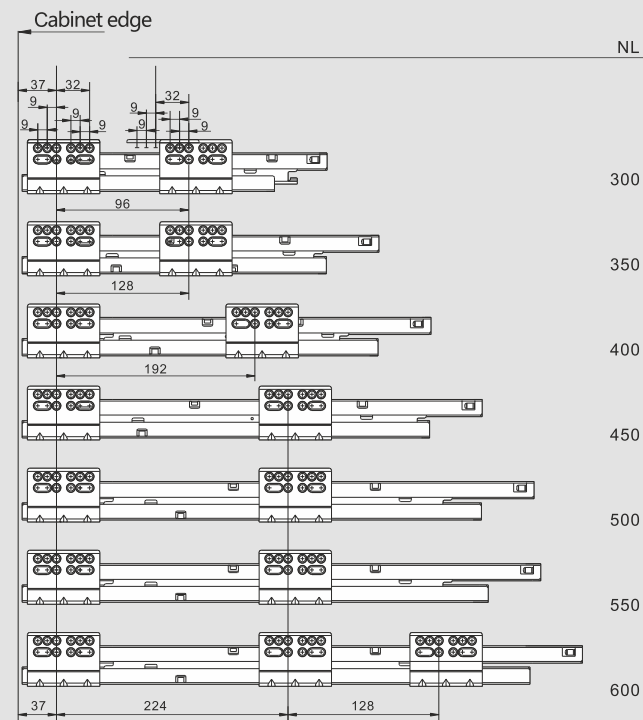
**Cabinet Configuration**

Cabinet widths/KB (mm)

300
350
400
450
500
600
800
900
1000
1200

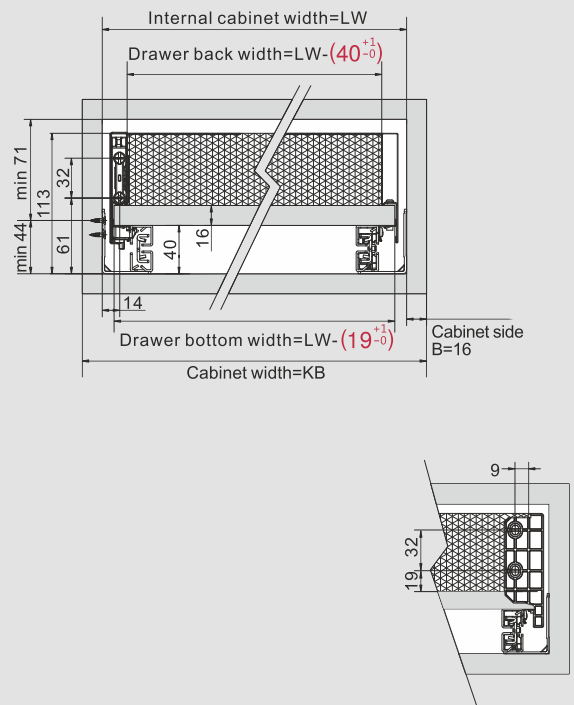
Stabilizer or push-open synchronization device recommended for cabinet widths 800,900,1000,1200mm

**Screw Positions of the Slides(mm)**



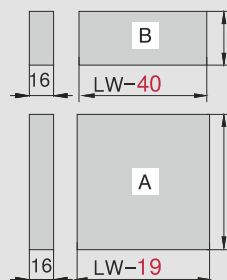
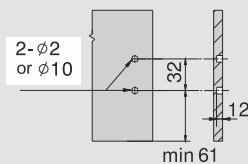
**Installation Dimensions(mm)**

LW=Internal Cabinet Width



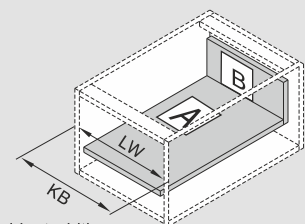
**Drawer Front, Back and Bottom Dimensions(mm)**

**Drawer Front**



**Back**  
101 mm

**Bottom**  
Wood back  
NL-29 mm  
Steel back  
NL-27 mm



KB Cabinet width  
LW Internal cabinet width  
NL Nominal length

# 03F Series Magic Star Drawer System



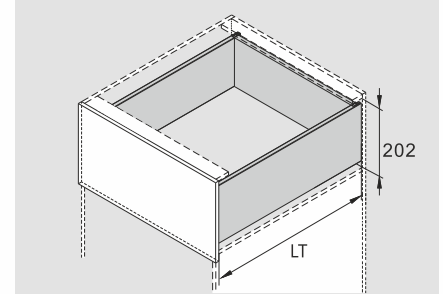
## PRODUCT



## DESCRIPTION

- Concealed, full extension
- Dynamic load capacity : 40 kg
- Tool free assembly and removal of drawer
- Silent system guarantees smooth run without noise
- 3D adjustment : Up & down adjustment :  $\pm 2\text{mm}$ , left & right adjustment :  $\pm 1.5\text{mm}$ , tilt adjustment :  $+ 1.5, -2.5\text{mm}$
- Finish : Grey Matt, White

## SPACE REQUIREMENT



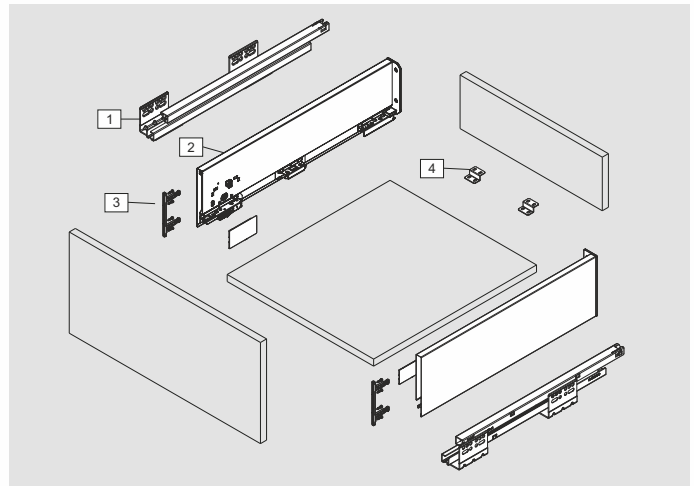
LT=Internal Cabinet Depth  
LT=NL+3

## HIGH DRAWER FOR WOOD DRAWER BACK

1			
Drawer Sides, Slides and Cover Caps (Left/Right)			
Grey Matt. (G) / White (W)			
NL	Item Code	Set/Ctn	
300 mm	03F32300	4	
350 mm	03F32350	4	
400 mm	03F32400	4	
450 mm	03F32450	4	
500 mm	03F32500	4	
550 mm	03F32550	4	
600 mm	03F32600	4	

2	
Back Fixing-Brackets (Left/Right)	
Grey Matt. (G) / White (W)	

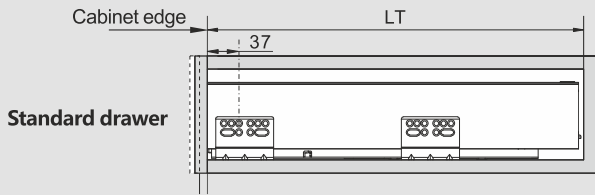
3	
Front Fixing-Brackets (Left/Right)	



**PLANNING**

**Installation Dimensions(mm)**

NL=Nominal Slide Length  
LT=Internal Cabinet Depth  
LT=NL+3



Standard drawer

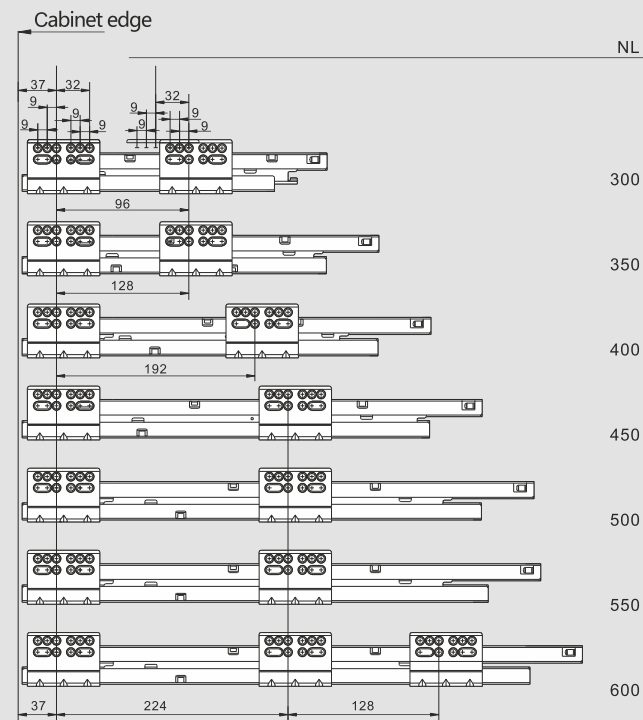
**Cabinet Configuration**

Cabinet widths/KB (mm)

300
350
400
450
500
600
800
900
1000
1200

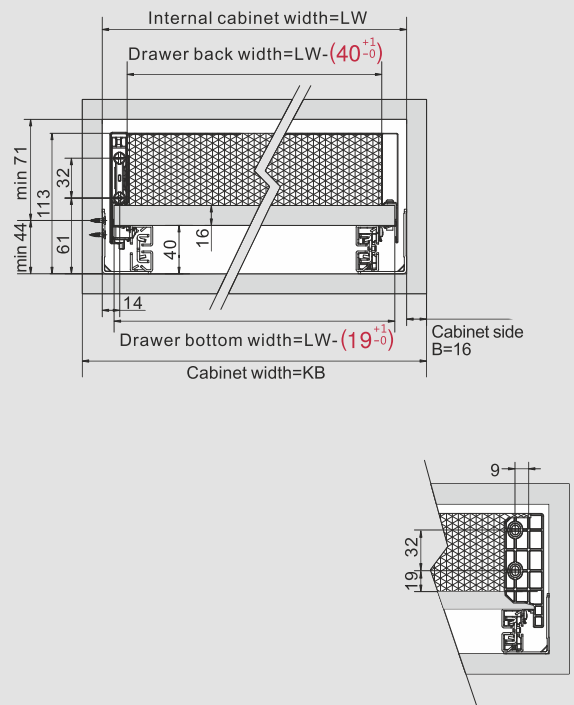
Stabilizer or push-open synchronization device recommended for cabinet widths 800,900,1000,1200mm

**Screw Positions of the Slides(mm)**



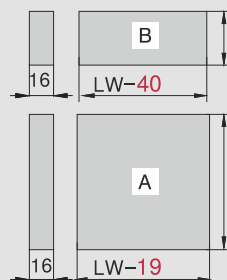
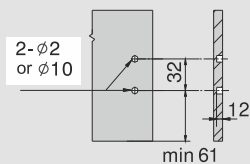
**Installation Dimensions(mm)**

LW=Internal Cabinet Width



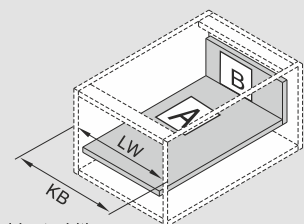
**Drawer Front, Back and Bottom Dimensions(mm)**

Drawer Front



Back  
148 mm

Bottom  
Wood back  
NL-29 mm  
Steel back  
NL-27 mm



KB Cabinet width  
LW Internal cabinet width  
NL Nominal length



# 03F Series Magic Star Drawer System



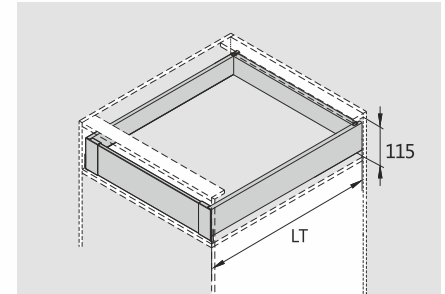
## PRODUCT



## DESCRIPTION

- Concealed, full extension
- Dynamic load capacity : 40 kg
- Tool free assembly and removal of drawer
- Silent system guarantees smooth run without noise
- 3D adjustment : Up & down adjustment :  $\pm 2$ mm, left & right adjustment :  $\pm 1.5$ mm, tilt adjustment : + 1.5, -2.5mm
- Finish : Grey Matt, White

## SPACE REQUIREMENT



LT=Internal Cabinet Depth  
Soft close slides/LT=NL+3  
Push-open slides/LT=NL+12

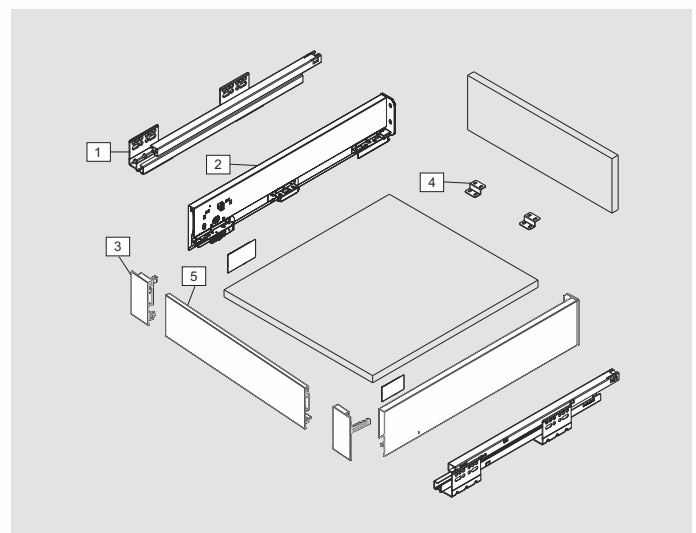
## LOWER INNER DRAWER FOR WOOD DRAWER BACK

1	Drawer Sides, Slides and Cover Caps (Left/Right)	Grey Matt. (G) / White (W)		
		NL	Item Code	Set/Ctn
2		300 mm	03F30300	4
		350 mm	03F30350	4
		400 mm	03F30400	4
		450 mm	03F30450	4
		500 mm	03F30500	4
		550 mm	03F30550	4
		600 mm	03F30600	4

2	Front Section	1100mm	
		Item Code	Set/Ctn
		03F00205	4

3	Front Adapter (Left/Right)	Grey Matt. (G) / White (W)	
		Item Code	Set/Ctn
		03F01081	4

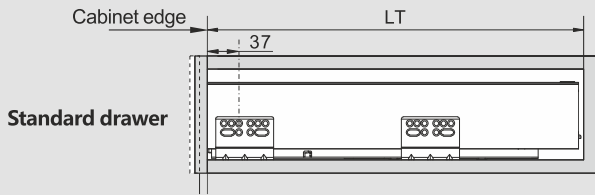
4	Fixing-Brackets (Left/Right)	Grey Matt. (G) / White (W)	
		Item Code	Set/Ctn



**PLANNING**

**Installation Dimensions(mm)**

NL=Nominal Slide Length  
LT=Internal Cabinet Depth  
LT=NL+3



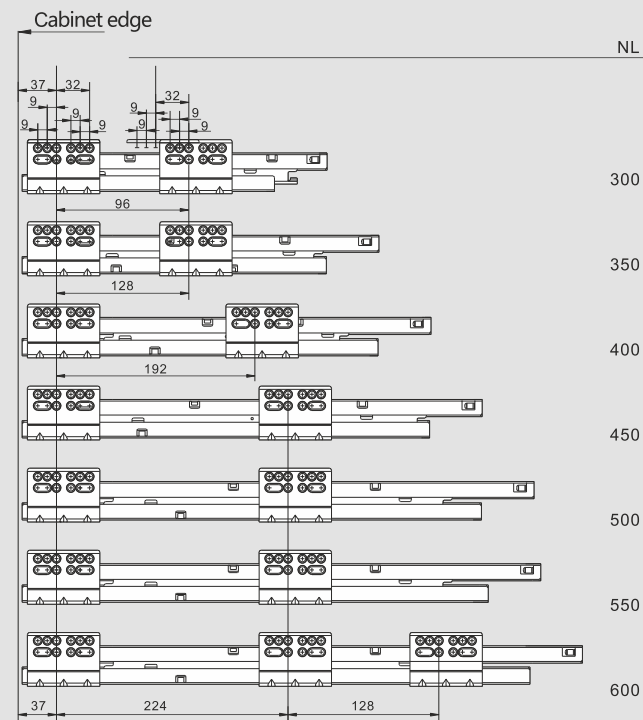
**Cabinet Configuration**

Cabinet widths/KB (mm)

300
350
400
450
500
600
800
900
1000
1200

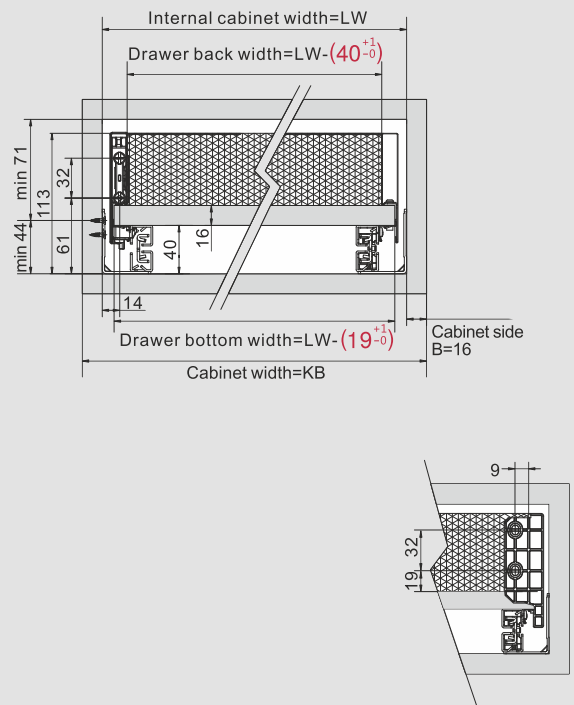
Stabilizer or push-open synchronization device recommended for cabinet widths 800,900,1000,1200mm

**Screw Positions of the Slides(mm)**



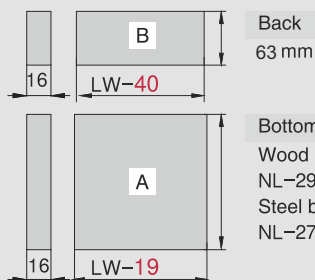
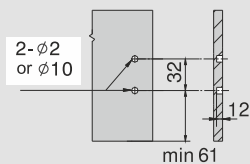
**Installation Dimensions(mm)**

LW=Internal Cabinet Width



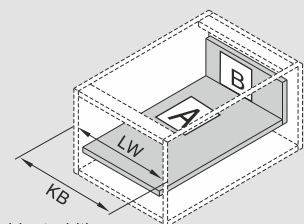
**Drawer Front, Back and Bottom Dimensions(mm)**

**Drawer Front**



**Back**  
63 mm

**Bottom**  
Wood back  
NL-29 mm  
Steel back  
NL-27 mm



KB Cabinet width  
LW Internal cabinet width  
NL Nominal length

# 03F Series Magic Star Drawer System



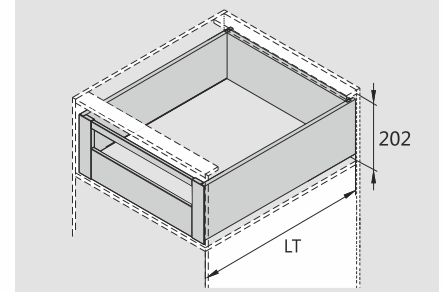
## PRODUCT



## DESCRIPTION

- Concealed, full extension
- Dynamic load capacity : 40 kg
- Tool free assembly and removal of drawer
- Silent system guarantees smooth run without noise
- 3D adjustment : Up & down adjustment :  $\pm 2$ mm, left & right adjustment :  $\pm 1.5$ mm, tilt adjustment : + 1.5, -2.5mm
- Finish : Grey Matt, White

## SPACE REQUIREMENT



LT=Internal Cabinet Depth  
Soft close slides/LT=NL+3  
Push-open slides/LT=NL+12

## HIGH INNER DRAWER WITH SQUARE CROSS RAIL FOR WOOD DRAWER BACK

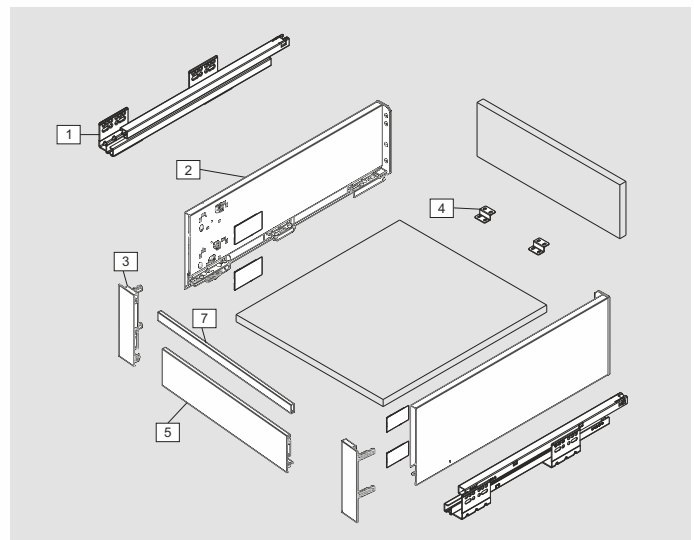
1	Drawer Sides, Slides and Cover Caps (Left/Right)	Grey Matt. (G) / White (W)		
		NL	Item Code	Set/Ctn
2	3	300 mm	03F32300	4
		350 mm	03F32350	4
		400 mm	03F32400	4
		450 mm	03F32450	4
		500 mm	03F32500	4
		550 mm	03F32550	4
		600 mm	03F32600	4

2	3	Front Square Rail NL 1100mm. Cutting : Internal Cabinet Width LW-97	Grey Matt. (G) / White (W)	
			Item Code	Pcs/Ctn
			03F01093	4

3	4	Front Section NL 1100mm. Cutting : Internal Cabinet Width LW-97	Grey Matt. (G) / White (W)	
			Item Code	Pcs/Ctn
			03F00206	4

4	5	Fixing-Brackets (Left/Right)	Grey Matt. (G) / White (W)	
			Item Code	Pcs/Ctn

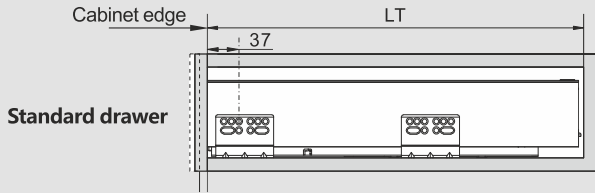
5	6	Front Fixing-Brackets (Left/Right)	Grey Matt. (G) / White (W)	
			Item Code	Set/Ctn
			03F01082	4



**PLANNING**

**Installation Dimensions(mm)**

NL=Nominal Slide Length  
LT=Internal Cabinet Depth  
LT=NL+3



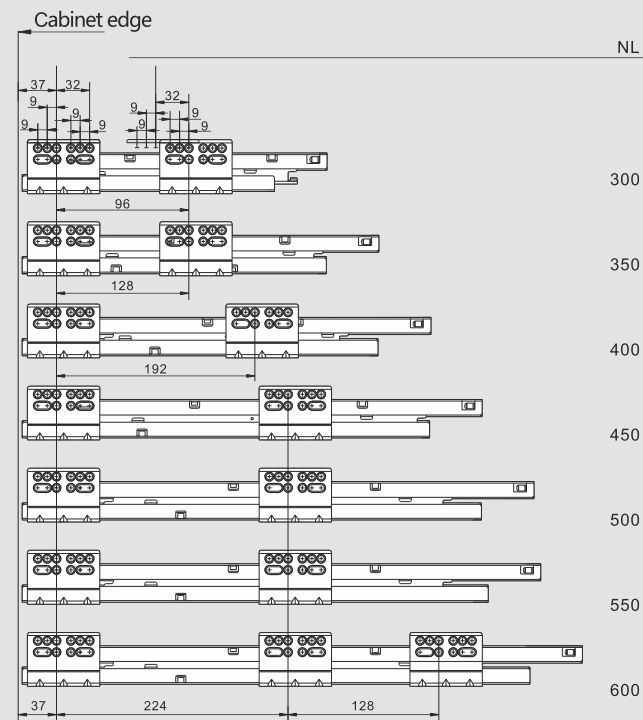
**Cabinet Configuration**

Cabinet widths/KB (mm)

300
350
400
450
500
600
800
900
1000
1200

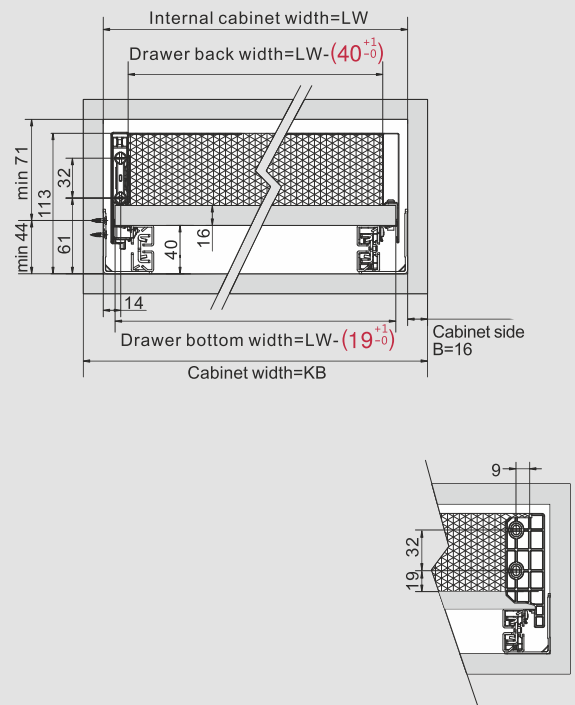
Stabilizer or push-open synchronization device recommended for cabinet widths 800,900,1000,1200mm

**Screw Positions of the Slides(mm)**



**Installation Dimensions(mm)**

LW=Internal Cabinet Width



**Drawer Front, Back and Bottom Dimensions(mm)**

**Drawer Front**

**Back**  
148 mm

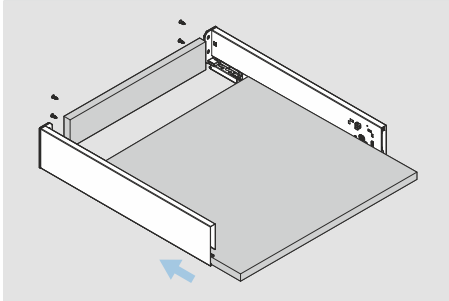
**Bottom**  
Wood back  
NL-29 mm  
Steel back  
NL-27 mm

KB Cabinet width  
LW Internal cabinet width  
NL Nominal length

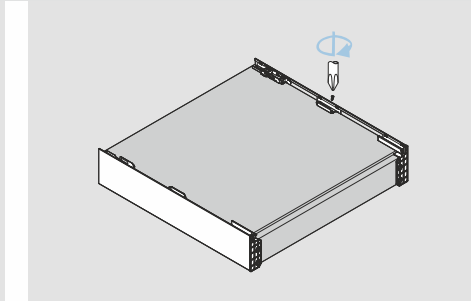
# Assembly, Removal And Adjustment



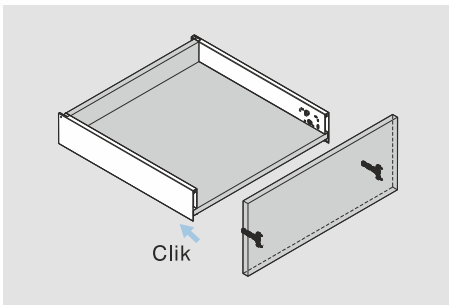
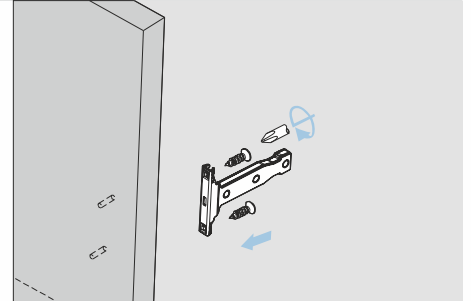
## Drawer Assembly



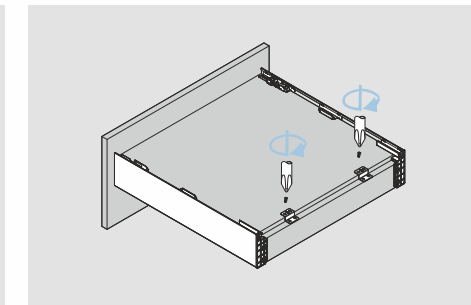
Back and Bottom assembly



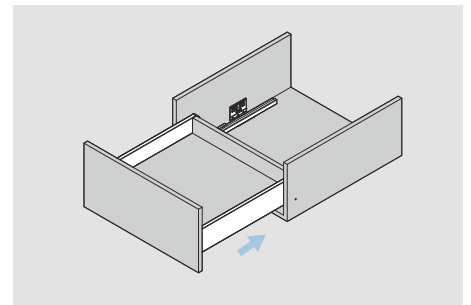
Fix Screw



Front assembly

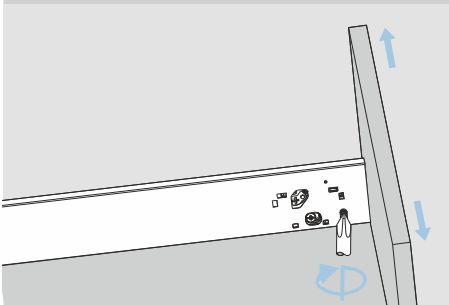


Fixing-brackets assembly

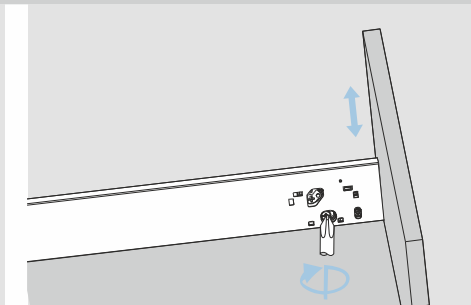


Slide into the cabinet

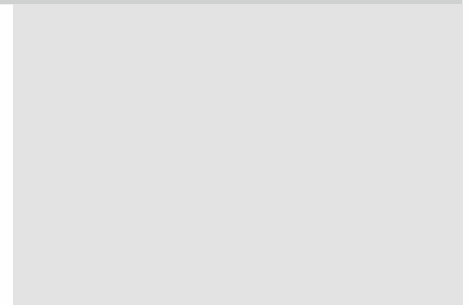
## Adjustments for Lower/Medium Drawer (M/K Height)



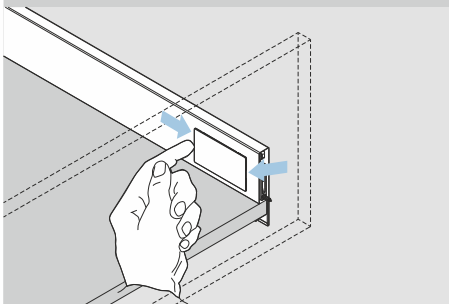
Left & right adjustment



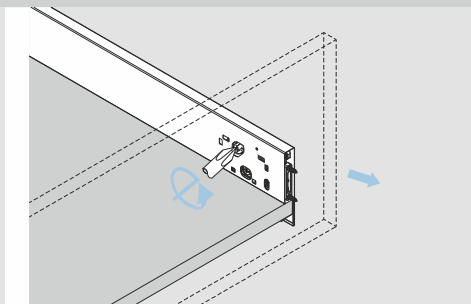
Up & down adjustment



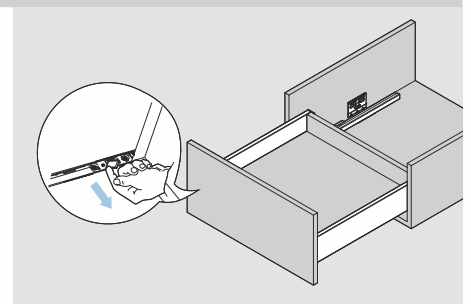
## Removal for Lower/Medium Drawer (M/K Height)



Tip up the cover and pull out



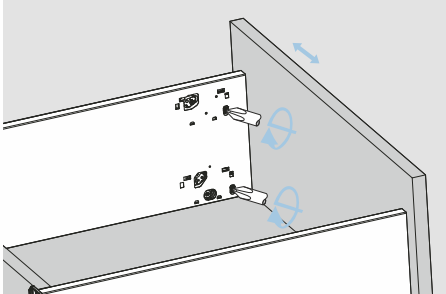
Turn screw driver to release the drawer front



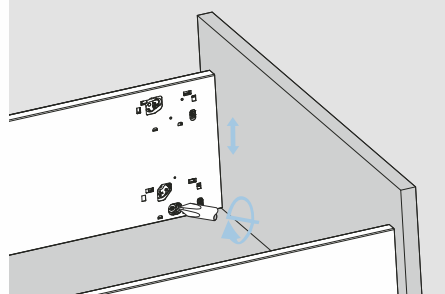
Press the locking device under drawer bottom and pull out the drawer



Adjustments for High Drawer (C Height)

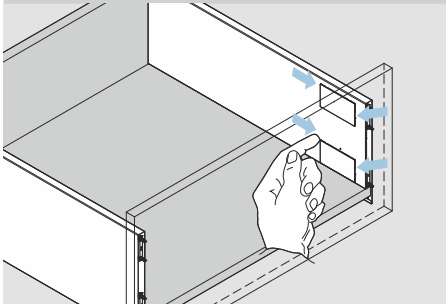


Left & right adjustment

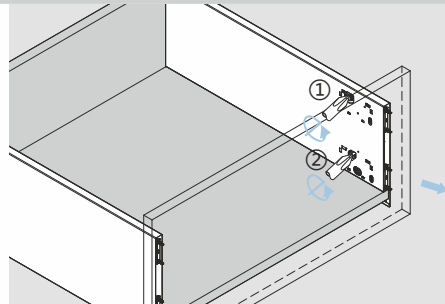


Up & down adjustment

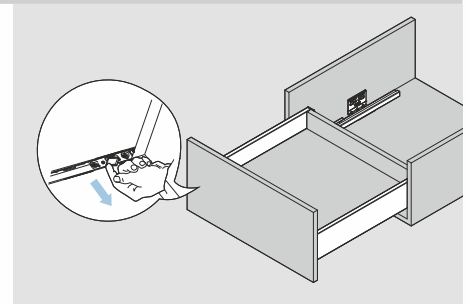
Removal of High Drawer (C Height)



Tip up the cover and pull out

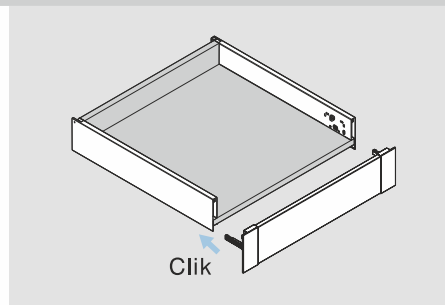
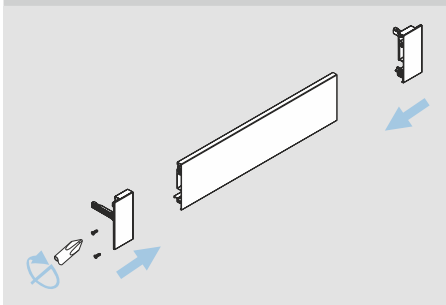


Turn screw driver to release the drawer front

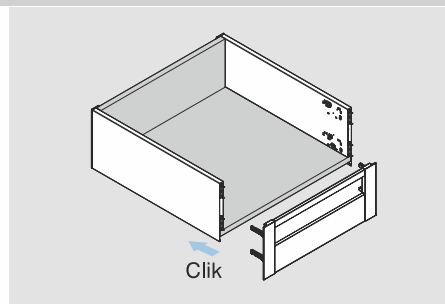
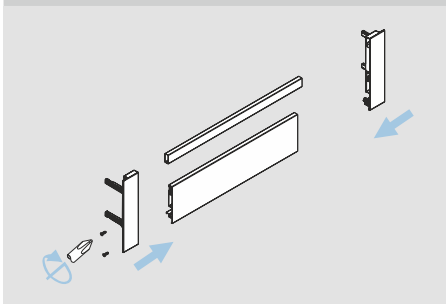


Press the locking device under drawer bottom and pull out the drawer

Low Inner Drawer Front assembly (M Height)



High Inner Drawer Front assembly (C Height)

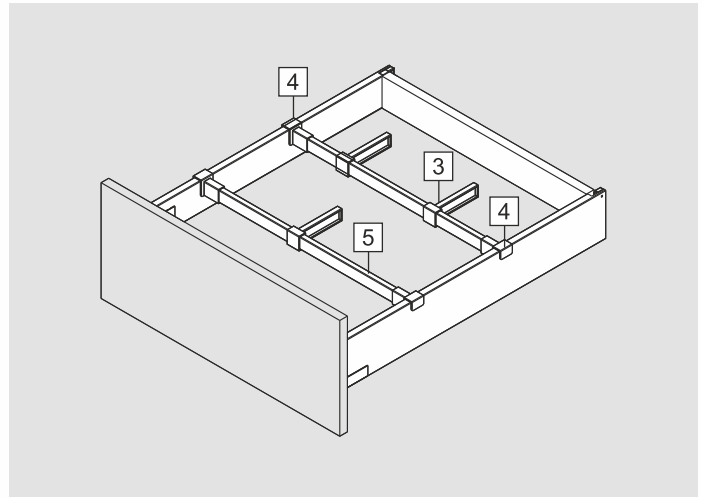


# 03F Series Dividing Accessories

## ORDER INFORMATION

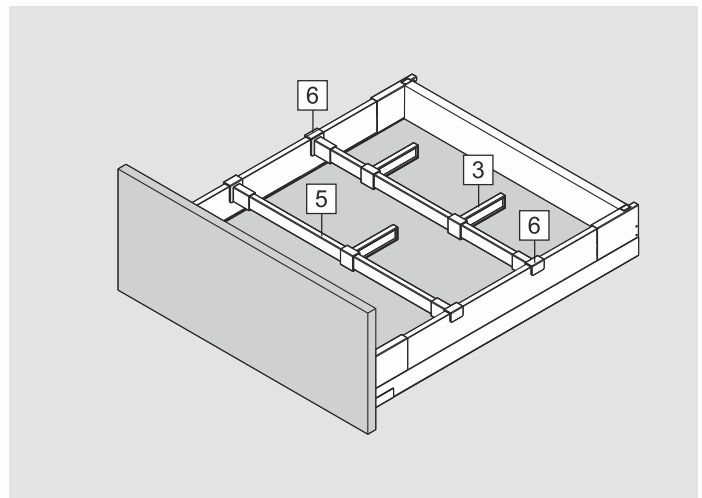
### Applicable with Metal Drawer Side

3		Divider	
		Silver Grey (G) / White (W)	
		Item Code	Pcs/Ctn
		<b>03F01094</b>	10
4		Cross Divider Connector (Left/Right)	
		Silver Grey (G) / White (W)	
		Item Code	Set/Ctn
		<b>03F01095</b>	10
5		Cross Divider / For Cutting to Size, 1100mm. Cutting: Internal cabinet width LW-72	
		Silver Grey (G) / White (W)	
		Item Code	Pcs/Ctn
		<b>03F01096</b>	10

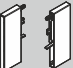



### Applicable with Glass-box Drawer Side

6		Divider	
		Silver Grey (G) / White (W)	
		Item Code	Pcs/Ctn
		<b>03F01097</b>	10
7		Cross Divider Connector (Left/Right)	
		Silver Grey (G) / White (W)	
		Item Code	Set/Ctn
		<b>03F01098</b>	10
8		Cross Divider / For Cutting to Size, 1100mm. Cutting: Internal cabinet width LW-72	
		Silver Grey (G) / White (W)	
		Item Code	Pcs/Ctn
		<b>03F01099</b>	10



### Applicable with Metal Drawer Side

9		Divider	
		Silver Grey (G) / White (W)	
		Item Code	Pcs/Ctn
		<b>03F01077</b>	10
10		Cross Divider Connector (Left/Right)	
		Silver Grey (G) / White (W)	
		Item Code	Set/Ctn
		<b>03F01078</b>	10
11		Cross Divider / For Cutting to Size, 1100mm. Cutting: Internal cabinet width LW-74	
		Silver Grey (G) / White (W)	
		Item Code	Pcs/Ctn
		<b>03F01079</b>	10

