

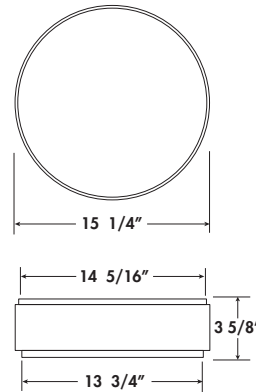


- Available in LED
- Brushed Nickel Decorative Band
- Ceiling Mount Only
- ETL Listed for Damp Locations
- Standard Pack QTY: 6

## DECORATIVE DRUM



**FD315**



**RoHS**  
compliant



### EXAMPLE # FD315-L1500W-NW

STYLE #	LIGHT SOURCE	BODY	DIFFUSER
<b>FD315</b>	EOS LED 120V AC, 50/60 Hz, HPF, 50,000 HRS L70*, AMBIENT OP TEMP -40°C TO +40°C 5 YEAR WARRANTY, DIMMABLE, ENERGY STAR	<b>N</b> -Brushed Nickel	<b>ACRYLIC</b> <b>W</b> -White
	<b>L1500</b> - 24W Power Input CRI 80 (TYP) >77 Lumens Per Watt**		

\*DATA PER LM79/LM80/TM21 AVAILABLE UPON REQUEST    \*\*ESTIMATED FROM LED SOURCE



Scan the QR code to the left to access the Energy Star qualified product list.

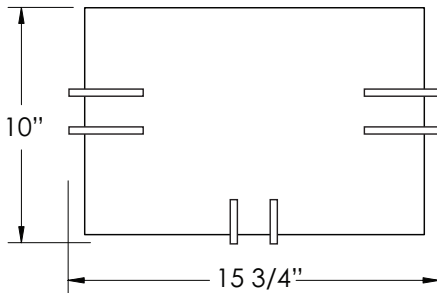
Fixtures available with custom packaging options, assembled or knocked down. MOQs apply.

- Available in LED
- Brushed Nickel Frame
- Frosted Glass Diffuser
- Wall Mount Only
- UL Listed for Damp Locations
- Standard Pack QTY: 4

## GIAVANI



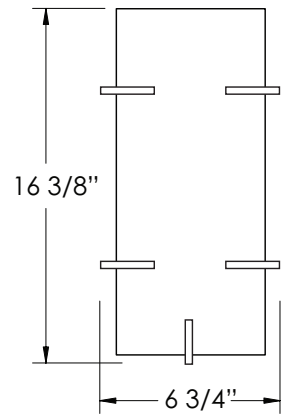
**FWSBN**



EXTENDS: 4"  
HCMT: 6 1/2"



**FWVBN**



EXTENDS: 4"  
HCMT: 8 3/8"



### EXAMPLE # FWVBN-L1700W

STYLE #

LIGHT SOURCE

**FWSBN**  
**FWVBN**

MULTI-VOLT LED 120-277V, 50/60 Hz, CONSTANT CURRENT AT 700mA, DRIVER UL CLASS 2, HPF, THERMALLY PROTECTED ARRAY, 50,000 HRS L70\* AMBIENT OP TEMP -40°C TO +40°C, 3 YEAR WARRANTY

**L1700** - 22W Power Input      **W-1704lm** 3000K  
CRI 80 (TYP)  
>77 Lumens Per Watt\*\*

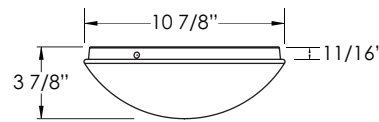
\*DATA PER LM79/LM80/TM21 AVAILABLE UPON REQUEST      \*\*ESTIMATED FROM LED SOURCE

Fixtures available with custom packaging options, assembled or knocked down. MOQs apply.

For more information visit [www.mylpsolutions.com](http://www.mylpsolutions.com)

- o Available in LED & Incandescent
- o White Powder Coated Aluminum
- o Ceiling Mount Only
- o UL Listed for Damp Locations
- o Standard Pack QTY: 8

## 11" DOME



**FD331**



RoHS  
compliant



### EXAMPLE # FD331-LE800W-WWM

STYLE #	LIGHT SOURCE	BODY	DIFFUSER	OPTIONS
<b>FD331</b>	<b>EOS LED 120V AC, 50/60 Hz, HPF, 50,000 HRS L70*, AMBIENT OP TEMP -40°C TO +40°C, 5 YEAR WARRANTY, DIMMABLE, ENERGY STAR***</b>	<b>W-White</b>	<b>ACRYLIC W-White</b>	<b>M-Motion Sensor</b>
	<b>LE800</b> - 13W Power Input CRI 80 (TYP) >65 Lumens Per Watt** <b>W-900lm 3000K C-1000lm 4000K</b>			
	<b>LE1200</b> - 14W Power Input CRI 80 (TYP) >80 Lumens Per Watt** <b>W-1350lm 3000K C-1400lm 4000K</b>			
	<b>LE1800</b> - 23W Power Input CRI 80 (TYP) >80 Lumens Per Watt** <b>W-1850lm 3000K C-1900lm 4000K</b>			
	<b>INCANDESCENT, MEDIUM BASE, 120V I40-1 X 40W Max</b>	<b>W-White</b>	<b>ACRYLIC W-White</b>	<b>LED LAMP, 3 YEAR WARRANTY DIMMABLE, ENERGY STAR</b> <b>LWE-A19/E26, 2700K LCE-A19/E26, 4000K</b>

\*DATA PER LM79/LM80/TM21 AVAILABLE UPON REQUEST    \*\*ESTIMATED FROM LED SOURCE    \*\*\*EXCLUDES LE1800 MODEL

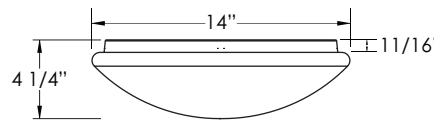


Scan the QR code to the left to access the Energy Star qualified product list.

Fixtures available with custom packaging options, assembled or knocked down. MOQs apply.

- o Available in LED & Incandescent
- o White Powder Coated Aluminum
- o Ceiling Mount Only
- o UL Listed for Damp Locations
- o Standard Pack QTY: 6

## 14" DOME



**FD334**



RoHS  
compliant



### EXAMPLE # FD334-I240-WW-LWE

STYLE #	LIGHT SOURCE	BODY	DIFFUSER	OPTIONS	
<b>FD334</b>	<b>EOS LED 120V AC, 50/60 Hz, HPF, 50,000 HRS L70*, AMBIENT OP TEMP -40°C TO +40°C, 5 YEAR WARRANTY, DIMMABLE, ENERGY STAR</b>	<b>W-White</b>	<b>ACRYLIC W-White</b>	<b>M-Motion Sensor</b>	
	<b>LE800</b> - 13W Power Input CRI 80 (TYP) >65 Lumens Per Watt**				<b>W-900lm 3000K C-1000lm 4000K</b>
	<b>LE1200</b> - 14W Power Input CRI 80 (TYP) >80 Lumens Per Watt**				<b>W-1350lm 3000K C-1400lm 4000K</b>
	<b>LE1800</b> - 23W Power Input CRI 80 (TYP) >80 Lumens Per Watt**				<b>W-1850lm 3000K C-1900lm 4000K</b>
	<b>INCANDESCENT, MEDIUM BASE, 120V I240-2 X 40W Max</b>	<b>W-White</b>	<b>ACRYLIC W-White</b>	<b>LED LAMP, 3 YEAR WARRANTY DIMMABLE, ENERGY STAR</b> <b>LWE-A19/E26, 2700K LCE-A19/E26, 4000K</b>	

\*DATA PER LM79/LM80/TM21 AVAILABLE UPON REQUEST \*\*ESTIMATED FROM LED SOURCE



Scan the QR code to the left to access the Energy Star qualified product list.

Fixtures available with custom packaging options, assembled or knocked down. MOQs apply.

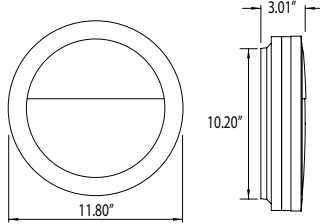
For more information visit [www.mylpsolutions.com](http://www.mylpsolutions.com)

- o Available in LED
- o Powder Coated Cast Aluminum
- o Wall or Ceiling Mount
- o Enclosed & Gasketed
- o ETL Listed for Wet Locations (IP65)
- o Standard Pack QTY: 6

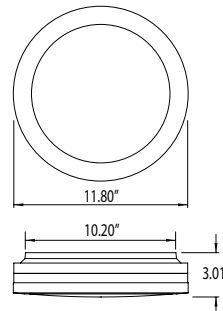
**LUNAR**



**FL372**



**FL371**



**EXAMPLE # FL371-LE1200W-BWM**

STYLE #	LIGHT SOURCE	BODY	DIFFUSER	OPTIONS
<b>FL371</b> <b>FL372</b>	EOS LED 120V AC, 50/60 Hz, HPF, 50,000 HRS L70*, AMBIENT OP TEMP -40°C TO +40°C, 5 YEAR WARRANTY, DIMMABLE, ENERGY STAR	<b>B</b> -Black <b>W</b> -White	<b>ACRYLIC</b> <b>W</b> -White	<b>M</b> -Motion Sensor
	<b>LE1200</b> - 14W Power Input CRI 80 (TYP) >80 Lumens Per Watt**	<b>W</b> -1350lm 3000K <b>C</b> -1400lm 4000K		
	<b>LE1800</b> - 23W Power Input CRI 80 (TYP) >80 Lumens Per Watt**	<b>W</b> -1850lm 3000K <b>C</b> -1900lm 4000K		

\*DATA PER LM79/LM80/TM21 & IES FILES AVAILABLE UPON REQUEST

\*\*ESTIMATED FROM LED SOURCE



Scan the QR code to the left to access the Energy Star qualified product list.

Fixtures available with custom packaging options, assembled or knocked down. MOQs apply.

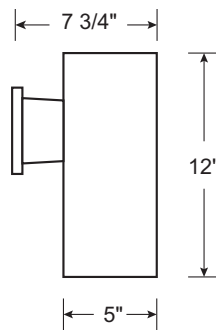
- Available in Incandescent & LED
- Molded of Durable Non-Corrosive UV Resistant Resins
- Turtle Safe & Dark Sky Friendly
- UL Listed for Wet Locations
- Standard Pack QTY: 6

## TURTLE & DARK SKY FRIENDLY



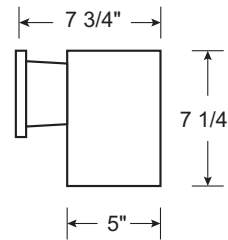
**FD135**

HCMT:  
4 7/8"



**FD134**

HCMT:  
2 3/8"



RoHS  
compliant



### EXAMPLE # FD134-I75-BK-LWE

STYLE #	LIGHT SOURCE	BODY	OPTIONS
<b>FD134</b> <b>FD135</b>	INCANDESCENT, MEDIUM BASE, 120V <b>I75-1 X 75W Max PAR 30</b>	<b>BK-Black</b> <b>WH-White</b>	LED LAMP, 3 YEAR WARRANTY DIMMABLE, ENERGY STAR <b>LWE-A19/E26, 2700K</b> <b>LCE-A19/E26, 4000K</b>



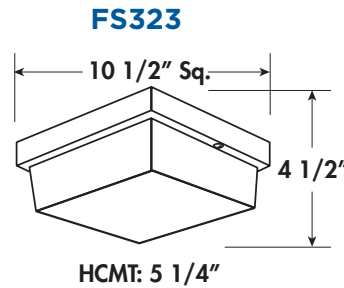
Scan the QR code to the left to access the Energy Star qualified product list.

Fixtures available with custom packaging options, assembled or knocked down. MOQs apply.

For more information visit [www.mylpsolutions.com](http://www.mylpsolutions.com)

- o Available in LED & Incandescent
- o White Powder Coated Aluminum
- o Wall or Ceiling Mount
- o UL Listed for Wet Locations
- o Standard Pack QTY: 6

**SENTINEL - 10.5"**



**EXAMPLE # FS323-LE800W-WFM**

STYLE #	LIGHT SOURCE	BODY	DIFFUSER	OPTIONS
<b>FS323</b>	EOS LED 120V AC, 50/60 Hz, HPF, 50,000 HRS L70*, AMBIENT OP TEMP -40°C TO +40°C, 5 YEAR WARRANTY, DIMMABLE, ENERGY STAR	<b>W-White</b>	<b>ACRYLIC</b> <b>F-Glare Reduced Frost Prismatic</b>	<b>M-Motion Sensor</b>
	<p><b>LE800</b> - 13W Power Input CRI 80 (TYP) &gt;65 Lumens Per Watt**</p> <p><b>LE1200</b> - 14W Power Input CRI 80 (TYP) &gt;80 Lumens Per Watt**</p> <p><b>LE1800</b> - 23W Power Input CRI 80 (TYP) &gt;80 Lumens Per Watt**</p>			
	<b>INCANDESCENT, MEDIUM BASE, 120V</b> <b>I240-2 X 40W Max</b>	<b>W-White</b>	<b>ACRYLIC</b> <b>F-Glare Reduced Frost Prismatic</b>	<b>LED LAMP, 3 YEAR WARRANTY DIMMABLE, ENERGY STAR </b> <b>LWE-A19/E26, 2700K</b> <b>LCE-A19/E26, 4000K</b>

\*DATA PER LM79/LM80/TM21 AVAILABLE UPON REQUEST    \*\*ESTIMATED FROM LED SOURCE



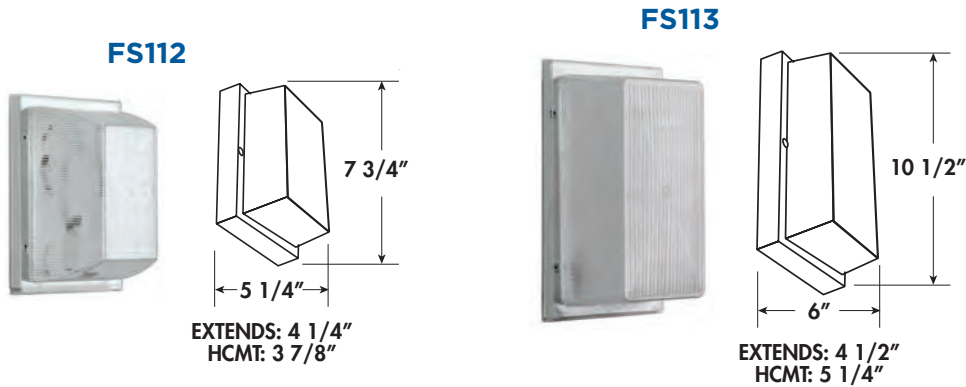
Scan the QR code to the left to access the Energy Star qualified product list.

Fixtures available with custom packaging options, assembled or knocked down. MOQs apply.



- o Available in LED & Incandescent
- o White Powder Coated Aluminum
- o Wall or Ceiling Mount
- o UL Listed for Wet Locations
- o Standard Pack QTY: 6

## SENTINEL - SHORT & MEDIUM



### EXAMPLE # FS112-I40-WF-LCE

STYLE #	LIGHT SOURCE	BODY	DIFFUSER	OPTIONS
<b>FS112</b> <b>FS113</b>	EOS LED 120V AC, 50/60 Hz, HPF, 50,000 HRS L70*, AMBIENT OP TEMP -40°C TO +40°C, 5 YEAR WARRANTY, DIMMABLE, ENERGY STAR	<b>W-White</b>	<b>ACRYLIC</b> <b>F-Glare Reduced</b> <b>Frost Prismatic</b>	N/A
	<b>LE800</b> - 13W Power Input CRI 80 (TYP) >65 Lumens Per Watt**	<b>W-900lm 3000K</b> <b>C-1000lm 4000K</b>		
	<b>INCANDESCENT, MEDIUM BASE, 120V</b> <b>I40-1 X 40W Max</b>	<b>W-White</b>	<b>ACRYLIC</b> <b>F-Glare Reduced</b> <b>Frost Prismatic</b>	<b>LED LAMP, 3 YEAR WARRANTY</b> <b>DIMMABLE, ENERGY STAR </b> <b>LWE-A19/E26, 2700K</b> <b>LCE-A19/E26, 4000K</b>

\*DATA PER LM79/LM80/TM21 AVAILABLE UPON REQUEST \*\*ESTIMATED FROM LED SOURCE



Scan the QR code to the left to access the Energy Star qualified product list.

Fixtures available with custom packaging options, assembled or knocked down. MOQs apply.

For more information visit [www.mylpsolutions.com](http://www.mylpsolutions.com)

- Available in LED, Incandescent & GU24
- Molded of Durable Non-Corrosive UV Resistant Resins
- Knockouts for Conduit
- Wall or Ceiling Mount
- UL Listed for Wet Locations
- Standard Pack QTY: 12



**EXAMPLE # FK395-LE1200C-BWM**

STYLE #	LIGHT SOURCE	BODY	DIFFUSER	OPTIONS
<b>FK391</b> <b>FK395</b>	<p>EOS LED 120V AC, 50/60 Hz, HPF, 50,000 HRS L70*, AMBIENT OP TEMP -40°C TO +40°C, 5 YEAR WARRANTY, DIMMABLE, ENERGY STAR</p> <p><b>LE800</b> - 13W Power Input CRI 80 (TYP) &gt;65 Lumens Per Watt** <b>W</b>-900lm 3000K <b>C</b>-1000lm 4000K</p> <p><b>LE1200</b> - 14W Power Input CRI 80 (TYP) &gt;80 Lumens Per Watt** <b>W</b>-1350lm 3000K <b>C</b>-1400lm 4000K</p> <p><b>LE1800</b> - 23W Power Input CRI 80 (TYP) &gt;80 Lumens Per Watt** <b>W</b>-1850lm 3000K <b>C</b>-1900lm 4000K</p>	<p><b>W</b>-White <b>B</b>- Black</p>	<p>POLYCARBONATE <b>F</b>-Frosted Prismatic <b>W</b>-White</p>	<p><b>M</b>-Motion Sensor</p>
	<p>MULTI-VOLT LED 120-277V, 50/60 Hz, CONSTANT CURRENT AT 700mA, DRIVER UL CLASS 2, HPF, THERMALLY PROTECTED, 50,000 HRS L70*, AMBIENT OP TEMP -40°C TO +40°C, 3 YEAR WARRANTY, ENERGY STAR</p> <p><b>L1800</b> - 22W Power Input CRI 74 (TYP) &gt;82 Lumens Per Watt** <b>C</b>-1824lm 4000K</p>	<p><b>W</b>-White <b>B</b>- Black</p>	<p>POLYCARBONATE <b>F</b>-Frosted Prismatic <b>W</b>-White</p>	<p><b>M</b>-Motion Sensor</p>
	<p>INCANDESCENT, MEDIUM BASE, 120V <b>I240</b>-2 X 40W Max</p>	<p><b>W</b>-White <b>B</b>- Black</p>	<p>POLYCARBONATE <b>F</b>-Frosted Prismatic <b>W</b>-White</p>	<p>LED LAMP, 3 YEAR WARRANTY, DIMMABLE ENERGY STAR <b>LWE</b>-A19/E26, 2700K <b>LCE</b>-A19/E26, 4000K</p>
	<p>GU24 BASE, 120V <b>G13</b>-1 X 13W <b>G213</b>- 2 X 13W <b>G18</b>-1 X 18W <b>G218</b>- 2 X 18W</p>	<p><b>W</b>-White <b>B</b>-Black</p>	<p>POLYCARBONATE <b>F</b>-Frosted Prismatic <b>W</b>-White</p>	<p><b>L</b>-CFL, 2700K</p>



\*DATA PER LM79/LM80/TM21 AVAILABLE UPON REQUEST


\*\*ESTIMATED FROM LED SOURCE

Scan the QR code to the left to access the Energy Star qualified product list.






Fixtures available with custom packaging options, assembled or knocked down. MOQs apply.

- Available in LED, Incandescent & GU24
- Molded of Durable Non-Corrosive UV Resistant Resins
- Wall Mount
- UL Listed for Wet Locations
- Standard Pack QTY: 6

## STAGECOACH



**FR121**

HCMT: 6 1/2"

**EXAMPLE # FR121-LE800C-BCP**

STYLE #	LIGHT SOURCE	BODY	DIFFUSER	OPTIONS
<b>FR121</b>	<b>EOS LED 120V AC, 50/60 Hz, HPF, 50,000 HRS L70*, AMBIENT OP TEMP -40°C TO +40°C, 5 YEAR WARRANTY, DIMMABLE, ENERGY STAR</b> <b>LE800-13W Power Input</b> <b>W-900lm 3000K</b> CRI 80 (TYP) <b>C-1000lm 4000K</b> >65 Lumens Per Watt**	<b>B-Black</b> <b>W-White</b> <b>Z-Bronze</b>	<b>ACRYLIC</b> <b>F-Glare Free Frost</b>	<b>P-Photocell</b>
	<b>INCANDESCENT, MEDIUM BASE, 120V</b> <b>I60-1 X 60W Max</b>	<b>B-Black</b> <b>W-White</b> <b>Z-Bronze</b>	<b>ACRYLIC</b> <b>F-Glare Free Frost</b>	<b>LED LAMP, 3 YEAR WARRANTY DIMMABLE, ENERGY STAR</b> <b>LWE-A19/E26, 2700K</b> <b>LCE-A19/E26, 4000K</b>
	<b>GU24 BASE, 120V</b> <b>G13-1 X 13W</b> <b>G18-1 X 18W</b> <b>G23-1 X 23W</b>	<b>B-Black</b> <b>W-White</b> <b>Z-Bronze</b>	<b>ACRYLIC</b> <b>F-Glare Free Frost</b>	<b>L-CFL, 2700K</b>

\*DATA PER LM79/LM80/TM21 AVAILABLE UPON REQUEST

\*\*ESTIMATED FROM LED SOURCE



Scan the QR code to the left to access the Energy Star qualified product list.

Fixtures available with custom packaging options, assembled or knocked down. MOQs apply.

For more information visit [www.mylpsolutions.com](http://www.mylpsolutions.com)