

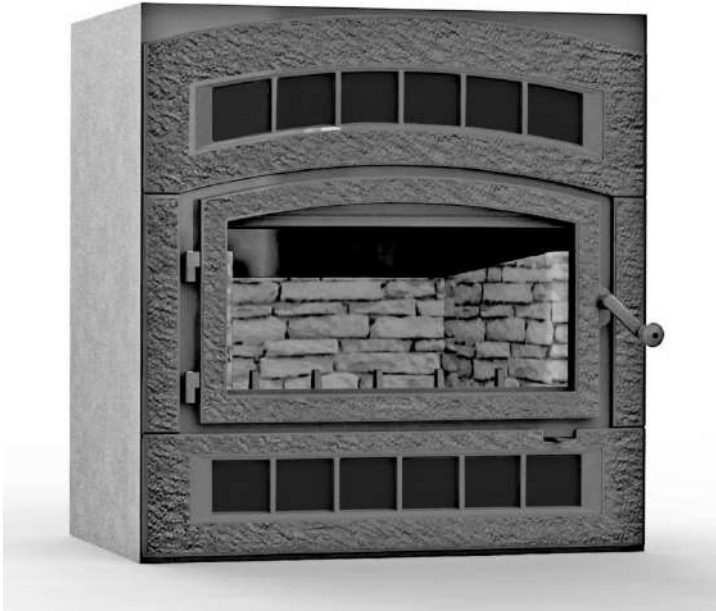


WFP-75

(Model 8410)

Woodstove OWNER'S MANUAL

Installation And
Operating Instructions



Manufactured for: **HearthStone Quality Home Heating Products, Inc.** 317 Stafford Avenue, Morrisville VT 05661

PLEASE READ THIS ENTIRE OWNER'S MANUAL BEFORE YOU INSTALL AND USE YOUR NEW WFP-75 FIREPLACE.

SAVE THIS OWNER'S MANUAL FOR FUTURE REFERENCE

CAUTION: Do not attempt to modify or alter the construction of the fireplace or its components. Any modification or alteration of construction may void the warranty, listings and approvals of this system. In that case, **HearthStone Quality Home Heating Products, Inc.** will not be responsible for damages. Install the fireplace only as described in these instructions.

This manual is available for free download on the manufacturer's web site. It is a copyrighted document. Re-sale is strictly prohibited. The manufacturer may update this manual from time to time and cannot be responsible for problems, injuries, or damages arising out of the use of information contained in any manual obtained from unauthorized sources.

Notes on Stove Operation and Efficiency

Rating:

You have purchased a Hearthstone WFP-75 tested to EPA Method 28R. This stove is certified to comply with the U.S. Environmental Protection Agency 2015 particulate emissions standard and is not approved for sale after May 15, 2020. It is certified at 4.4 g/hr emission rate and under specific test conditions has been shown to deliver heat at rates ranging from 11,500 to 30,400 Btu (output).

This wood heater has a manufacturer-set minimum allowable low burn rate that must not be altered. It is against federal regulations to alter this setting or otherwise operate this wood heater in a manner inconsistent with operating instructions in this manual.

Please refer to the Warranty section of this manual for registration instructions. In case of warranty claims, please contact the point of original sale or the nearest authorized Hearthstone dealer. All warranty claims are processed by our dealer network. Authorized Hearthstone dealers can be located at www.hearthstonestoves.com.

This heater is designed to burn natural wood only. Higher efficiencies and lower emissions generally result when burning air dried seasoned hardwoods, as compared to softwoods or to green or freshly cut hardwoods. **DO NOT BURN:** *Garbage, lawn clippings, material containing rubber (including tires), materials containing plastic, waste petroleum products paints or paint thinners, asphalt products, materials containing asbestos, construction or demolition debris, railroad ties, pressure treated wood, manure or animal remains, salt water driftwood or other previously salt water saturated materials, unseasoned wood, paper products, cardboard, plywood or particleboard.* This prohibition against burning these materials does not prohibit the use of fire starters made from paper, cardboard, saw dust, wax and similar substances for the purpose of starting a fire in an affected wood heater. Burning these materials may result in a release toxic fumes or render the heater ineffective and cause smoke.

Following the maintenance guidelines set forth in this manual will help insure the efficient use of your wood heater and minimize visible emissions. Having your stove inspected by a trained professional on a regular basis will greatly increase the potential for recognizing potential impacts to efficiency.

Proper draft is important to the efficient operation of your heater. Refer to the Normal Operation section of this manual for information regarding adequate draft. Both excessive and sub-minimum draft can affect the efficiency of your wood heater. Excessive draft can lead to over-consumption of fuel, lower overall heating capacity of the stove and potential over firing. Low draft can result in inefficient burns, low heat output, expulsion of smoke into the living area when stove doors are opened and an increased potential for build-up of flammable materials in the flue.

Efficiency:

Efficiency was captured using EPA Method 28R and weighted using CSA B415-10 methodology. A weighted average was used to calculate the overall efficiency across all of the 4 burn rate categories using the higher heating value (HHV).

To maximize the efficiency of your wood stove make sure it is sized properly for the space you plan to heat. An oversized stove will often be forced to burn at a lower and dirtier burn rate. Consult with your dealer for sizing and correctly placing the stove in your home. An incorrectly placed stove can greatly reduce efficiency. Maximizing the efficiency of your stove will heat your house quickly, burn cleaner and use less wood.

Refer to the Choosing Firewood section of this manual for appropriate fuel selection. Seasoned firewood is typically at or near 20% moisture content. This can be measured with any number of hand-held moisture meters available through your local hearth shop. Follow instructions included in the meter you purchase to measure fuel wood moisture content. Burn only dry, seasoned wood as using wet wood will greatly reduce your efficiency.

CO Emissions:

The WFP-75 is a deemed certified model without CSA B415.1-10 data available. It is a 63% efficient unit (default values per previous Subpart AAA). In general, the higher burn rate that can be safely maintained without over-firing the stove the cleaner the stove will operate. Wet wood or unapproved fuel described above can greatly affect the emissions of a wood burning stove.

Smoke/Fire/CO Detectors:

It is highly recommended that smoke and CO detectors be installed throughout the heated space when a wood burning heater is installed. Be certain to install these devices not only in the area where the wood appliance is located, but also in bedrooms, hallways leading to other areas of the house and all common areas of the heated space. Check the batteries in these devices and assure operation by performing whatever test operations are recommended by the manufacturer.

Table of Contents

1. SAFETY RULES FOR OPERATING YOUR FIREPLACE.....	5
2. THE FIREPLACE.....	7
2.1 INTRODUCTION	7
2.1.1 Parts Required	7
2.1.2 Additional Equipment (optional).....	7
2.2 OPERATING THE WFP-75.....	8
2.2.1 Fuel.....	8
2.2.2 *The use of manufactured logs.....	8
2.2.3 First Fires.....	9
2.2.4 Building a Fire.....	9
2.2.5 Maintaining the Fire	9
2.2.6 Primary Air.....	10
2.2.7 Combustion Settings.....	10
2.2.8 Smoking Causes and Troubleshooting	11
2.3.1 Creosote – Formation and need for removal	12
2.3.2 Chimney Maintenance.....	12
2.3.3 Fire Baffle Removal Prior to Cleaning the Chimney	13
2.3.4 Dealing with a Chimney Fire	13
2.3.5 Disposal of Ashes.....	14
2.3.6 Refractory Replacement	14
2.3.7 Glass Care – Replacement.....	14
2.3.8 Glass Care – Cleaning	15
2.3.9 Gasket Replacement.....	16
2.4 FIREPLACE INSTALLATION.....	16
2.4.1 Locating the WFP-75	16
2.4.2.1 R Value Calculations.....	18
2.4.2.2 How to eliminate the need of a R value.....	19
2.4.3 Framing, Facing, Mantel, and Combustible Shelf.....	20
2.4.4 Blower Connection.....	28
2.5 FACADE AND DOOR INSTALLATION.....	29
2.5.1 Facade Package	29
2.5.2 Install the facade:.....	29
2.5.3 Secure the facade:.....	32
2.5.4 Adjusting the blower door	32
2.5.5 Install the door:	29
2.5.6 Install the door knob:.....	30
2.5.7 Adjusting the door alignment:	30
2.6 HOT AIR DUCTING INSTALLATION.....	33
2.6.1 Gravity Convection Air Kit.....	33
2.6.2 Forced Air Convection Kit (Not tested under EPA certification)	35
2.7 FRESH AIR KIT.....	37
2.7.1 Fresh Air kit Installation.....	37
3. THE CHIMNEY.....	39
3.1 CHIMNEY INSTALLATION NOTES.....	40

3.2	CHIMNEY INSTALLATION INSTRUCTIONS	41
3.3	OFFSET CHIMNEY INSTALLATION	43
3.4	ANGLED WALL RADIATION SHIELD	47
3.5	CHIMNEY SUPPORT INSTALLATION.....	47
3.6	CHIMNEY CHASE AND MULTIPLE TERMINATIONS	48
3.7	INSTALLATION INSTRUCTIONS FOR MASONRY APPLICATION	49
4.	OPTIONS	50
5.	APPENDIX.....	51
5.1	SPECIFICATIONS	51
5.2	CLEARANCES TO COMBUSTIBLE MATERIALS.....	52
5.3	REPLACEMENT PARTS	52
5.4	THERMAL CHARACTERISTICS OF COMMON FLOOR PROTECTION MATERIALS*	53
	SAFETY RATING LABEL.....	54
	HEARTHSTONE LIMITED LIFETIME WARRANTY	55
1.	SAFETY RULES FOR OPERATING YOUR FIREPLACE.....	5
2.	THE FIREPLACE.....	7
2.1	INTRODUCTION	7
2.2	OPERATING THE WFP-75.....	8
2.4	FIREPLACE INSTALLATION.....	16
2.5	FACADE AND DOOR INSTALLATION.....	29
2.6	HOT AIR DUCTING INSTALLATION	33
2.7	FRESH AIR KIT	37
3.	THE CHIMNEY.....	39
3.1	CHIMNEY INSTALLATION NOTES.....	40
3.2	CHIMNEY INSTALLATION INSTRUCTIONS	41
3.3	OFFSET CHIMNEY INSTALLATION	43
3.4	ANGLED WALL RADIATION SHIELD	47
3.5	CHIMNEY SUPPORT INSTALLATION.....	47
3.6	CHIMNEY CHASE AND MULTIPLE TERMINATIONS	48
3.7	INSTALLATION INSTRUCTIONS FOR MASONRY APPLICATION	49
4.	OPTIONS	50
5.	APPENDIX.....	51
5.1	SPECIFICATIONS	51
5.2	CLEARANCES TO COMBUSTIBLE MATERIALS.....	52
5.3	REPLACEMENT PARTS	52
5.4	THERMAL CHARACTERISTICS OF COMMON FLOOR PROTECTION MATERIALS*	53
	SAFETY RATING LABEL.....	54
	HEARTHSTONE LIMITED LIFETIME WARRANTY	55

1. SAFETY RULES FOR OPERATING YOUR FIREPLACE

- Use only a HearthStone glass door, specifically designed for the model WFP-75.
- When cleaning the fireplace, the ashes should be placed in a metal container with a tight fitting lid. The closed container of ashes should be placed on a non-combustible floor or on the ground outside the house, pending final disposal. If the ashes are disposed of by burial in soil or otherwise locally dispersed, they should be retained in the closed container until all cinders have thoroughly cooled.
- We recommend that our woodburning hearth products be installed and serviced by professionals who are certified in the United States by NFI (National Fireplace Institute®) or in Canada by WETT (Wood Energy Technology Transfer) or in Quebec by APC (Association des Professionnels du Chauffage).

CAUTION: THE INFORMATION GIVEN ON THE CERTIFICATION LABEL AFFIXED TO THE APPLIANCE ALWAYS OVERRIDES THE INFORMATION PUBLISHED, IN ANY OTHER MEDIA (OWNER'S MANUAL, CATALOGUES, FLYERS, MAGAZINES AND/OR WEB SITES).

CAUTION: NEVER USE GASOLINE, GASOLINE-TYPE LANTERN FUEL, KEROSENE, CHARCOAL LIGHTER FLUID OR SIMILAR LIQUIDS TO START OR "FRESHEN UP" A FIRE IN THIS FIREPLACE. KEEP ALL SUCH LIQUIDS WELL AWAY FROM THE FIREPLACE AT ALL TIMES.

CAUTION: KEEP COMBUSTIBLE MATERIALS AT LEAST 48 INCHES AWAY FROM THE FRONT OF THE FIREPLACE OPENING.

CAUTION: NEVER LEAVE CHILDREN UNATTENDED WHEN THERE IS A FIRE BURNING IN THE FIREPLACE.

CAUTION: NEVER USE A GRATE OR ELEVATE THE FIRE. BUILD WOOD FIRE DIRECTLY ON HEARTH.

CAUTION: DO NOT USE A FIREPLACE INSERT AND OTHER PRODUCTS NOT SPECIFIED FOR USE WITH THIS FIREPLACE.

CAUTION: DO NOT OBSTRUCT AIR INLETS. THIS FIREPLACE NEEDS AIR FOR ITS SAFE OPERATION.

WARNING: THIS FIREPLACE HAS NOT BEEN TESTED WITH AN UNVENTED OR VENTED GAS LOG SET. TO REDUCE RISK OF FIRE OR INJURY, DO NOT INSTALL AN UNVENTED GAS LOG SET INTO THIS FIREPLACE.

CAUTION: DO NOT INSTALL THE FIREPLACE OUTDOORS.

CAUTION: THE FIREPLACE AND CHIMNEY MUST BE IN AN ENCLOSURE UP TO THE ATTIC.

WARNING: DO NOT USE MATERIALS OTHER THAN THOSE LISTED IN THE REPLACEMENT PARTS SECTION DURING INSTALLATION AS THEY MAY BE SAFETY HAZARDS AND A FIRE COULD RESULT.

CAUTION: FOR SECURITY REASONS, IT IS VERY IMPORTANT TO USE A NON-COMBUSTIBLE MATERIAL FOR THE SURROUND OF THE FIREPLACE. WHENEVER OVERLAPPING THE METAL FACE OF THE FIREPLACE, A CEMENT-BOARD (DUROCK STYLE) IS MANDATORY. FAILING TO RESPECT THIS GUIDELINE MAY RESULT IN A FIRE.

CAUTION: DO NOT INSTALL THIS FIREPLACE IN A MOBILE HOME

PLEASE NOTE THAT THE PICTURES SHOWN IN THIS MANUAL ARE GENERIC AND MAY NOT MATCH EXACTLY THE LOOK OF YOUR FIREPLACE.

REGISTER YOUR WARRANTY ONLINE

To receive full warranty coverage, you will need to show evidence of the date you purchased your unit. Keep your sales invoice. We also recommend that you register your warranty online at:

<http://www.hearthstonestoves.com/customer-resources/warranty-registration>

Registering your warranty online will help us track rapidly the information we need on your unit.

2. THE FIREPLACE

2.1 INTRODUCTION

The WFP-75 fireplace is an energy efficient, heat circulating, closed combustion fireplace. You will receive a lifetime of comfort and enjoyment from your fireplace provided it is installed, maintained and operated properly.

- Please read these instructions and retain this manual for future reference.
- Before beginning the fireplace installation, consult the local authorities to obtain your building permit and check your local building codes. Install the fireplace only as described in these instructions and using only components from the manufacturers listed in table 2.
- The WFP-75 is not intended for use with a gas log. Failure to follow these instructions will void the certification and the warranty of the fireplace and may result in an unsafe installation.
- This heating unit is a supplementary heat source. An alternative heat source should be available in the home if needed. The manufacturer cannot be responsible for additional heating costs associated with the use of an alternative heat source. It is highly recommended that the user buys this product from a retailer who can provide installation and maintenance advice.

2.1.1 Parts Required

- Fireplace model WFP-75
- Insulated chimney made by the manufacturers listed in table 2, with the corresponding specifications:
 - Chimney lengths
 - Elbows (where necessary)
 - Associated components as per these installation instructions.

2.1.2 Additional Equipment (optional)

- Gravity Convection Air Kit
- Forced Air Convection Kit
- Fire screen

2.2 OPERATING THE WFP-75

2.2.1 Fuel

The WFP-75 is designed to work best when fuelled with seasoned cordwood. Use solid wood or processed solid fuel fire logs only*. Hardwoods are preferred to softwoods since the energy content of wood is relative to its density. Hardwoods will result in a longer burning fire and less frequent refuelling. A moisture content of 15% to 20% (seasoned) is recommended. Wood that has been cut and split and let to dry under a cover for a period of one year will usually meet those criteria. Excessively wet wood will be difficult to burn and will result in lower efficiency, increased creosoting and deposits on the glass and in the chimney. Excessively dry wood will burn well but will also have higher emissions and shorter burning time.

Do not burn wood scraps or garbage, treated wood or wood such as driftwood from the ocean which has been exposed to salt or other chemicals. Salt or chemicals can corrode the firebox and chimney. Do not burn large amounts of paper, cardboard, pine tree branches or building construction materials. Intense firing with these materials may overheat the fireplace, causing damage to the unit, a fire or even possibly igniting a chimney fire if the chimney is creosoted.

CAUTION: DO NOT OVER FIRE THIS HEATER OVER FIRING CAN RESULT IN A SAFETY HAZARD AND CAN PERMANENTLY DAMAGE THE FIREPLACE AND CHIMNEY.

2.2.2 *The use of manufactured logs

There are numerous types of manufactured logs sold on the market. You must be very careful with this type of product. Many brands of manufactured logs contain chemical additives. **DO NOT BURN ANY MANUFACTURED LOGS CONTAINING CHEMICAL ADDITIVES. IF YOU DO, YOU MAY OVERHEAT YOUR FIREPLACE, THEREFORE CAUSING A FIRE HAZARD AND VOIDING YOUR WARRANTY.** Logs containing chemical additives burn a lot hotter and were designed for decorative fireplaces. Decorative fireplaces generally have larger, cooler, and less air-tight fireboxes. Your HearthStone WFP-75, on the other hand, has a smaller, completely sealed firebox which attains much higher temperatures. It is therefore not designed to support excessive heat caused by the addition of chemicals in manufactured logs. Manufactured logs made of 100% wood residues do not pose a threat to your fireplace. However, they must be used carefully. Manufactured logs typically release a much larger heat output over a short period of time. Therefore, you cannot place a large quantity of such logs into your fireplace. Start with one log, and gradually increase the load. Never put more than 4 logs. The logs should be of an average size and not exceed 8 inches in diameter.

WARNING: DO NOT POKE OR STIR THE LOGS WHILE THEY ARE BURNING.

USE ONLY FIRELOGS THAT HAVE BEEN TESTED FOR USE IN FIREPLACES (SEE ULC/ORD-C127, COMPOSITE FIRELOGS) AND PRIOR TO USE, REFER TO FIRELOG WARNINGS AND CAUTIONS MARKINGS ON PACKAGING.

2.2.3 First Fires

The fresh paint on your fireplace needs to be cured to preserve its quality. Once the fuel load is properly ignited, only burn small fires in your fireplace for the first four hours of operation. Never open the air control more than necessary to achieve a medium burn rate. Make sure that there is enough air circulation while curing the stove. Open one or more windows. The odors can be smelled during the first 3 or 4 fires.

2.2.4 Building a Fire

To start a fire, place several crumpled up balls of newspaper in the firebox behind the andiron. Place small dry pieces of kindling on top of the paper, criss-crossing the kindling so that there are air spaces in between. Keep the fuel back far enough so that air can get underneath. Open the air controls fully and light the newspaper. Once the newspaper and the kindling are well ignited, close the door. Once the kindling fire is well established, cordwood can be added. (See Primary Air Combustion Control section for proper operation of the air controls). Make sure that cordwood is always behind the andiron.

The unit will burn best with 2-3 pieces of cordwood spaced 1 to 2 inches apart and allowing air to get under the fuel. Criss-crossing or arranging the fuel so that air can get underneath, will help the fire to get started easily. The unit should be operated with the air control fully open long enough to get the cordwood well ignited

CAUTION: PLACE THE WOOD LOGS BEHIND THE ANDIRON TO ALLOW PROPER PRIMARY AIR FLOW

2.2.5 Maintaining the Fire

Once the wood has been consumed (or partially consumed) and you have obtained a good bed of embers, you should reload the unit. In order to do so, open the air control to its maximum for approximately 15 seconds prior to opening the fireplace door. Then, proceed by opening the door very slowly. Open it 2" to 4" (52 to 104 mm) for 10 seconds before opening it completely. This procedure will increase the draft and thus eliminate the smoke which is stagnant in a state of slow combustion in the fireplace. Then, bring the red embers forward, keeping them behind the andiron, and reload the unit.

Your WFP-75 fireplace will work best if a thick bed of hot embers is maintained in the bottom of the firebox and a minimum of two large pieces of seasoned fuel are added. Combustion efficiency is largely related to establishing a hot ember bed and hot firebox temperatures. The quicker the fireplace and chimney (flue) get up to normal operating temperatures, the better. A small intense fire is preferred to a large smouldering fire, both to improve combustion efficiency and to reduce the amount of creosote build-up. The best performance will be obtained by adding relatively small amounts of fuel to a well established ember bed, and then operating with the air inlet control open long enough to achieve a hot fire. Use a poker to make an air channel in the embers below the wood. This will allow air to flow under the wood for a more efficient burn. Once you have reached the desired temperature, the primary air can be set to a medium setting. You know you have reached the desired temperature when, closing the primary air control, you can see a flame at the top of the firebox. The benefit of this technique will be cleaner glass, less creosoting, greater efficiency and the most pleasing fire for your enjoyment.

In order to achieve an optimum efficiency from your unit, we suggest that you operate it

with the air control completely closed. Make sure that you have a good fire going and an adequate ember bed before you completely close the air control. Closing the air control too soon will lower combustion efficiency and may cause the fire to die out.

2.2.6 Primary Air

There is no flue damper in the WFP-75. As is common with air tight stoves, the combustion air control sets the flow of air entering the firebox. This allows for a more precise control of the fire. The combustion air control is located below the door on the right side. The main source of air (primary air) entering the firebox can be diminished by moving the air combustion control from right to left. The primary air is fully opened when the air control is completely moved to the right. The combustion air control should be in the closed position (primary air) when the fireplace is not in use. This will minimize air leakage up the chimney. The combustion air control should be opened before opening the door to minimize the possibility of back draft coming into the room.

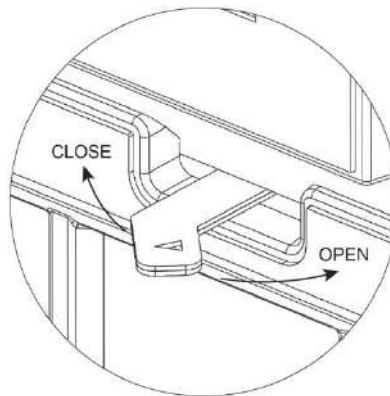


Figure 1

2.2.7 Combustion Settings

Accelerated Combustion (High)

The maximum heat output for the WFP-75 is achieved by burning with the door closed and the combustion air opened. By this method, the WFP-75 can produce up to 75,000 BTU of heat per hour. However, it will be necessary to reload with wood every one or two hours. This is the least efficient method of burning the WFP-75. Use caution when firing with the combustion air control wide open. Only burn cordwood in this manner. Small dry pieces of softwood and construction scraps will burn very intensely using this method and may damage the firebox.

Medium Combustion

This is the recommended mode of operating the WFP-75 and should be the one normally used since it will deposit the least amount of creosote on the glass and in the chimney. The combustion air control must be $\frac{3}{4}$ closed. The precise setting will depend on many factors, including chimney length and the moisture content of the wood.

To obtain the proper combustion, close the combustion air control completely, then open it about $\frac{1}{4}$ " to $\frac{1}{2}$ ". For shorter chimneys, open the combustion air control more, for longer

chimneys, open the combustion air control less. Three medium size pieces of wood should be burning on a bed of hot coals. The heat output will be approximately 35,000 BTU per hour and the loading time will be every 3-4 hours. Softwoods may be burned using this method but the time will be substantially reduced.

Slow Combustion

When the air combustion control is completely closed, the fireplace is in a slow combustion phase. If the fireplace is hot enough, slow combustion will not stop the fire, but there will be a noticeable change in the flame pattern. The flames will be slow and may appear dirty if the wood is too wet (moisture content of 20% and more). Do not allow the wood to burn without flame, since this will produce excessive creosote in the unit.

Creosote may accumulate on the glass door. This method of burning should be used only after operating the WFP-75 with the air control opened to produce a hot fire for about an hour or at medium pace for at least 2 hours. Slow combustion can be used at night in order to reduce the heat output and to prolong the burn. The loading time will be every 6-8 hours.

2.2.8 Smoking Causes and Troubleshooting

To reduce the likelihood of smoking when opening the door, set the combustion air controls to the right (High) before opening the door. Occasionally, there may be a small amount of smoking upon lighting the fire, until the chimney heats up but this should not continue. If the fireplace continues to smoke it is probably for one of the following reasons:

A. Negative pressure in the house

As the fire burns, air goes up the chimney. This air must be replaced through leakage into the house or by connecting to fresh, outside air. When operating the WFP-75, open a nearby window temporarily to check if there is adequate air supply replacement. If opening a window solves the problem, the house is under negative pressure.

B. Fans operating (e.g.: range hood)

These fans draw air out of the house and may actually cause a negative pressure in the house. Turn off all fans and open a nearby window to determine if this is the cause of the problem.

C. Wet wood

Wet or tarred wood will smoulder and smoke instead of burning properly.

D. Dirty or blocked chimney

Check to make sure the chimney is clear and clean.

E. Chimney not long enough

The minimum system height is 15 feet (4.6m). The chimney must extend at least 3 feet (915 mm) above its point of contact with the roof and at least 2 feet (0.6 m) higher than any roof or wall within 10 feet (3 m) of it. When installed with offsets, the minimum system height is 15 feet (4.6 m) to 17 feet (5.2 m) as per Table 1. Additional height will increase draft and will decrease the tendency to smoke. If only the minimum chimney height is installed, operating conditions must be optimal (interior chimney, minimum height of 18" before any offset, etc.).

F. Poor chimney draft

With no fire, there should be sufficient draft to exhaust cigarette smoke introduced under the baffle. Chimneys installed against an outside wall without protection may generate back draft problems which will

cause start-up problems. To prevent this, open a nearby window, roll up a piece of paper and light it. Then, hold it in the upper part of the firebox to warm up the chimney. Wait until the draft is sufficient, then start the fire.

IMPORTANT NOTES

1. Do not block the hot air vents to the fireplace as this will cause the fireplace to overheat.
2. Never start a fire using gasoline, kerosene, charcoal lighter fluid or any other combustible liquid.
3. Do not burn coal. The sulfur in coal will corrode the firebox and damage the glass.
4. Do not burn driftwood that has been in the ocean or salt water. The salt will corrode the firebox and chimney.
5. Do not abuse the unit by burning paper, or cardboard or construction material such as pressed wood, plywood or lumber.
6. Do not allow the wood to smolder or burn without flame, since this will produce excessive creosote in the unit.

2.3 MAINTAINING YOUR WFP-75

2.3.1 Creosote – Formation and need for removal

When wood is burned slowly without a flame, it produces tar and other organic vapors which combine with expelled moisture to form creosote. The creosote vapors condense in the relatively cool chimney flue of a slow-burning fire. As a result, creosote residue accumulates on the flue lining. When ignited this creosote makes an extremely hot and dangerous fire.

The chimney shall be inspected at least twice a year during the heating season to determine when a creosote build-up has occurred.

When creosote has accumulated, the chimney must be cleaned to remove the creosote and reduce the risk of a chimney fire.

2.3.2 Chimney Maintenance

Regular chimney inspection and maintenance combined with proper operation will prevent chimney fires. Keep your chimney clean. Do not allow more than 1/16" creosote build up in your chimney. The amount of creosote will depend on variables such as frequency of use and type of fire. We recommend that you:

1. Initially inspect the chimney system weekly. From this, you will learn how often it will be necessary to clean your chimney.
2. Have your chimney cleaned by a qualified chimney sweep. If you wish to clean it yourself, we recommend using a stiff plastic or non-metallic brush. If a metal brush is used, its size should be slightly smaller than the flue to avoid damaging the chimney. Do not use a brush that will scratch the stainless steel interior of the chimney.
3. Do not expect chemical cleaners to keep your chimney clean. The rain cap can be removed for inspection and/or cleaning of the chimney.

2.3.3 Fire Baffle Removal Prior to Cleaning the Chimney

Before starting to clean your chimney, we recommend that you remove the fire baffle to avoid creosote dust collection on top of the baffle. Follow the steps below to remove the fire baffle:

1. Remove the front air tube by pulling out the cotter pin on the side of the tube. They are located at the top, underneath the baffle.
2. Lift the baffle assembly and slide it out of the fireplace. You now have access to the chimney.

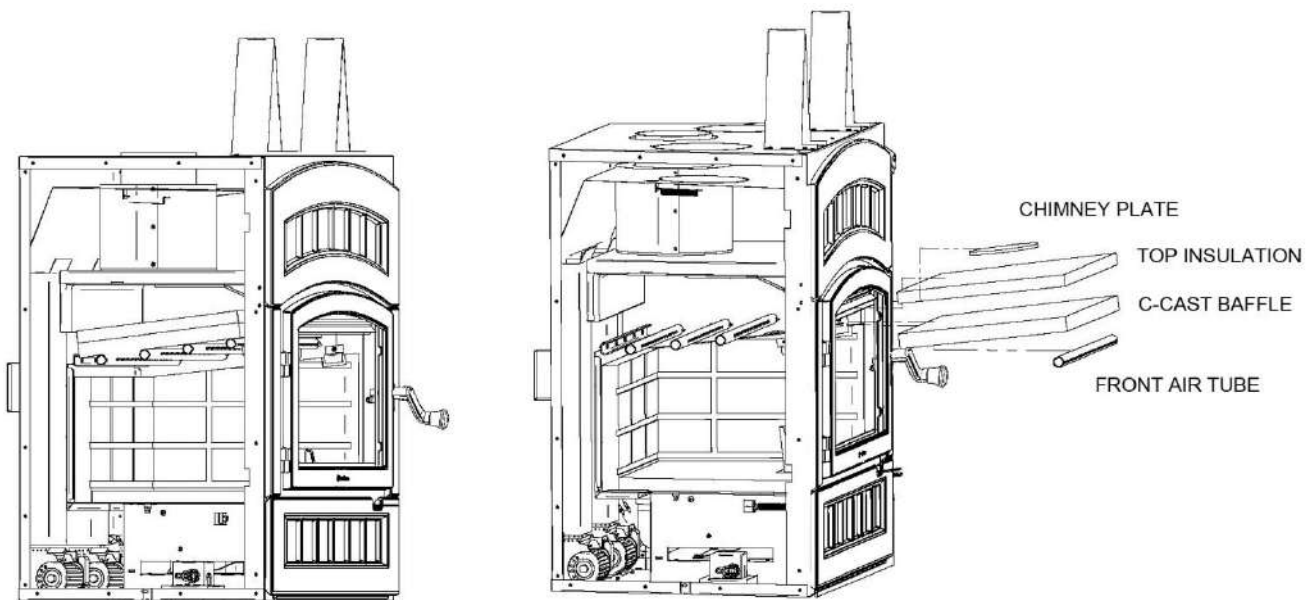


Figure 2

2.3.4 Dealing with a Chimney Fire

Regular chimney maintenance and inspection can prevent chimney fires. If you have a chimney fire, follow these steps:

1. Close the fireplace door and the combustion air controls;
2. Alert your family of the possible danger;
3. If you require assistance, alert your fire department;
4. If possible, use a dry chemical fire extinguisher, baking soda or sand to control the fire.
5. Do not use water as it may cause a dangerous steam explosion;
6. Check outside to ensure that sparks and hot embers coming out of the chimney are not igniting the roof;
7. Do not use the fireplace again until your chimney and fireplace have been inspected by a qualified chimney sweep or a Fire Department Inspector;

2.3.5 Disposal of Ashes

Do not attempt to clean the fireplace when the unit is hot. Ashes should be placed in a metal container with a tight fitting lid. The closed container of ashes should be placed on a non-combustible floor or on the ground, well away from combustible materials pending final disposal. If the ashes are disposed of by burial in soil or otherwise locally dispersed they should be retained in the closed container until all cinders have thoroughly cooled.

2.3.6 Refractory Replacement

The intense heat of the fire will normally cause hairline cracks in the refractory. These cracks can be minimized by proper curing as described in "First Fires". They will not normally diminish the effectiveness of the refractory. If large cracks develop, then the refractory should be replaced. To replace the refractory bricks, follow these steps:

1. Remove the andiron (A) held in place by the two torx screws (B)
2. Remove the brick retainers (C)
3. Remove the left side bricks (D)
4. Remove the right side bricks (E)
5. Remove the rear bricks (F)
6. Remove the bottom brick (G)

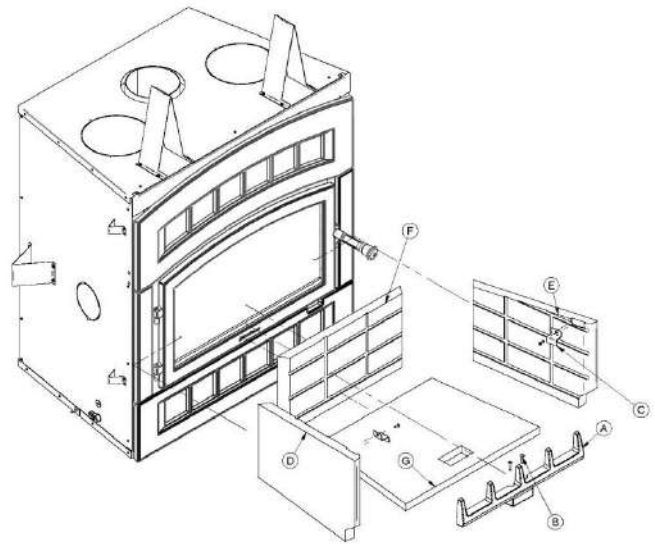


Figure 3

To install the new bricks, follow the above steps in reverse.

2.3.7 Glass Care – Replacement

The glass used in the WFP-75 is 5 mm thick of dimension: 13.65" x 25.30" and tested to reach temperatures up to 1400° F. If the glass breaks, it must be replaced with one having the same specification. Contact your HearthStone dealer to obtain a genuine replacement part (see "replacement parts", in appendix to get the proper part number).

WARNING: TEMPERED GLASS OR ORDINARY GLASS WILL NOT WITHSTAND THE HIGH TEMPERATURES OF THE WFP-75.

WARNING: DO NOT ABUSE THE GLASS DOOR BY SLAMMING IT AGAINST THE FIREPLACE.

WARNING: DO NOT OPERATE THE FIREPLACE WITH A CRACKED OR BROKEN GLASS.

WARNING: DO NOT USE DOOR TO PUSH WOOD INTO THE STOVE.

In order to replace the glass, use the following procedure:

1. Remove the glass clips (B) and pads (C), held in place by 8 screws (A).
2. Remove the glass (D).
3. Remove the glass gasket (E).
4. To install the new glass, follow the above steps in reverse order, using the adhesive included in the glass kit to fix the new glass gasket in place.

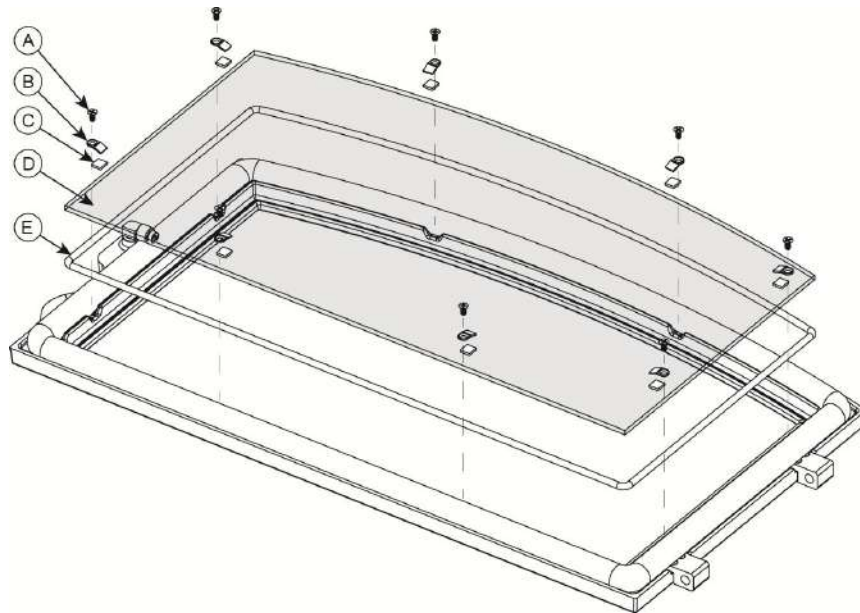


Figure 4

2.3.8 Glass Care – Cleaning

The WFP-75 is designed to keep the glass clean under normal operating conditions. If the WFP-75 is operated continuously with the combustion air controls closed, the glass will tend to get dirty unless the fuel, firebox and glass are maintained at higher temperatures. To clean the glass, there are a number of specially designed cleaners. Ask a hearth professional to recommend a suitable cleaner which is available in your area. Regular household glass cleaners will not clean creosote and they usually contain ammonia that may stain the glass permanently.

WARNING: ONLY WASH THE GLASS WHEN IT'S COLD.

WARNING: DO NOT USE ABRASIVES SUCH AS STEEL PADS, STEEL WOOL OR OVEN CLEANER AS THEY WILL SCRATCH THE GLASS, MAKING IT MORE FRAGILE.

2.3.9 Gasket Replacement

Remove the door from the unit and lay it on a clean, non-abrasive surface. To replace the gasket around the door frame, first remove the old gasket and adhesive. Make sure that the surface is totally clean before applying new adhesive or adhesion problems may result. Apply the adhesive (supplied with the replacement gasket) in the gasket channel and install the new gasket with a gentle pressure.

To replace the glass gasket, follow the steps in section 2.3.7. The proper replacement gaskets are available from your HearthStone dealer in the following dimensions:

GASKET	LENGHT	DIMENSION
DOOR	84"	ROUND 1" ROPE
GLASS	78"	ROUND 1/4" ROPE

2.4 FIREPLACE INSTALLATION

2.4.1 Locating the WFP-75

- A. The best location to install your fireplace is determined by considering the location of windows, doors, and the traffic flow in the room where the fireplace is located, allowing space in front of the unit for the heart extension and the mantel, and taking into consideration the location of the hot air ducts (optional), outside air kit and chimney. If possible, you should choose a location where the chimney will pass through the house without cutting floor or roof rafters.
- B. Usually, no additional floor support is needed for the fireplace. The adequacy of the floor can be checked by first estimating the weight of the fireplace system. Weights are given in the appendix. Next, measure the area occupied by the fireplace which is normally 37.75" x 24.75" (96 cm x 63 cm). Note the floor construction and consult your local building code to determine if additional support is needed.
- C. The WFP-75 may be installed directly on the floor or on a raised combustible or non-combustible base (see figure 5). That base must be at least equal (or exceed) the height of the floor protection. For more information regarding the installation on a raised base, refer to the "Hearth Extension Requirements" section of this manual. Please take note that a minimum of 80" (203 cm) measured from the base of the appliance to the ceiling is required (see figure 6).

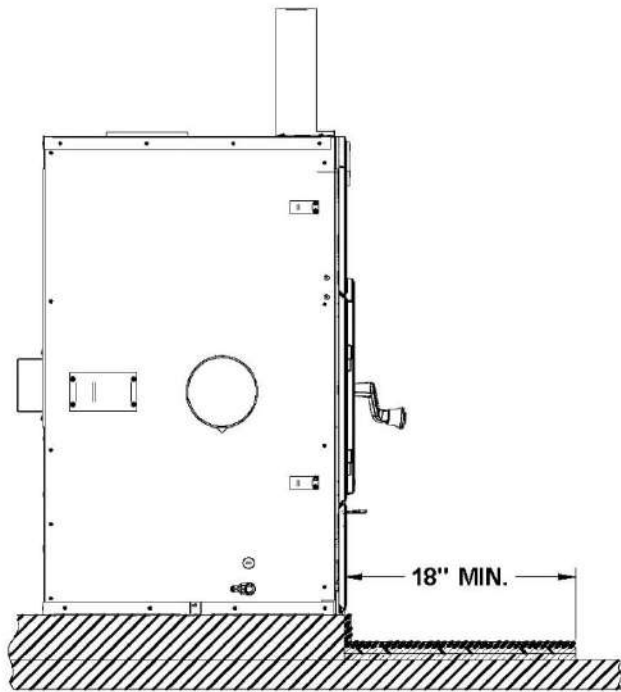


Figure 6 Installation on raised base.

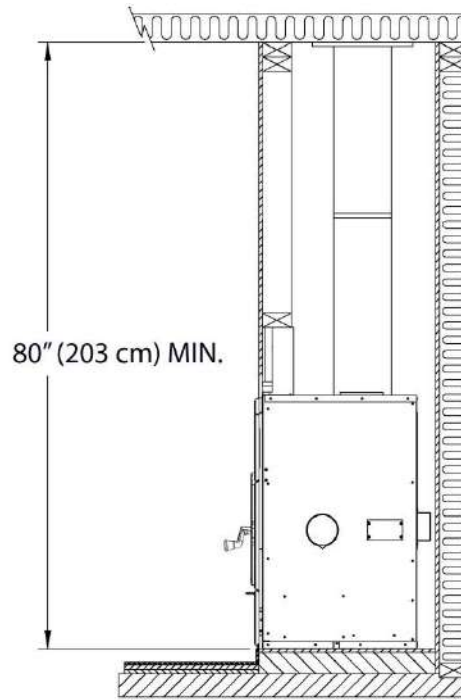


Figure 5 Ceiling clearances requirements

2.4.2 Hearth Extension Requirements

The hearth extension floor area must extend at least 18" (40 cm) in front of the hearth and at least 8" (20 cm) on each side of the door opening (see figure 7). The joint between the hearth extension and the fireplace hearth needs to be made of non-combustible material such as sheet metal (not included) as shown on figure 8.

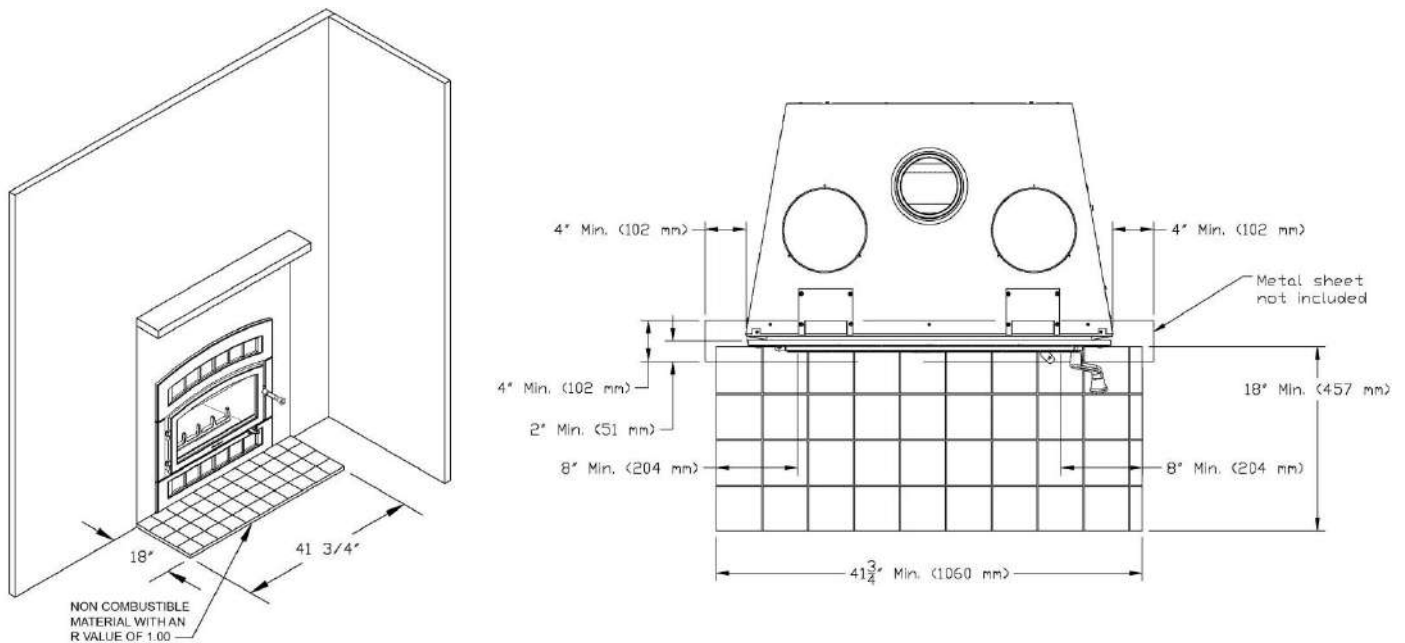
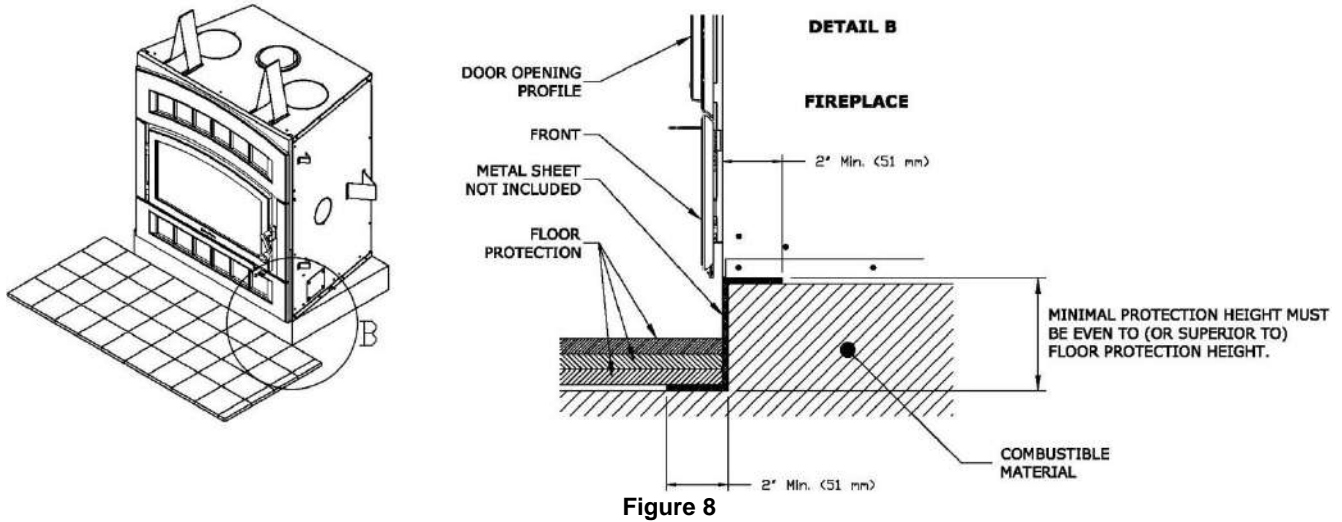


Figure 7



When the fireplace is installed directly on the floor, a noncombustible floor protection in front of the unit must be installed and have an R value insulation equal to or greater than 1.00. The use of an R value is convenient when more than one material is going to be used in the hearth extension to cover the combustible surface. This is because R values are additive, whereas K values are not. To find the corresponding R factor to use for some selected materials, please see Appendix section 5.4. Please note that the minimum height of the raised base of the fireplace should match or exceed the height of the floor protection.

2.4.2.1 R Value Calculations

There are two ways to calculate the R factor of the floor protection. First, by adding the R-values of the proposed materials or if some K and thickness values are given, by converting them to R values.

To calculate the R factor for a composite floor protection made of a combination of alternative materials, simply add the R-values of those materials. If the result is equal to or larger than the required R value, the combination is acceptable. For R-values of some selected materials, see Appendix section 5.4.

Example:

Required floor protection R of 1.00. Proposed materials: four inches of brick and one inch of Durock® board

Four inches of brick ($R = 4 \times 0.2 = 0.8$) plus 1 inch of Durock® ($R = 1 \times 0.52 = 0.52$).
 $0.8 + 0.52 = 1.32$.

This R value is larger than the required 1.00 and is therefore acceptable.

In the case of a known K and thickness of alternative materials to be used in combination, convert all K values to R by dividing the thickness of each material by its K value. Add the R values of your proposed materials as shown in the previous example.

Example:
K value = 0.75
Thickness = 1
R value = Thickness/K = 1/0.75 = 1.33

2.4.2.2 How to eliminate the need of a R value

It is possible to eliminate the R value by elevating the unit from 4" above the floor (see Figure 9), but the joint between the extension of the hearth and the fireplace must be protected by a non-combustible material. For example, a sheet metal (not included) as illustrated in Figure 9 (B). Please note that a combustible floor protection of at least 18" long must be installed in front of the fireplace as illustrated in Figure 9 (A).

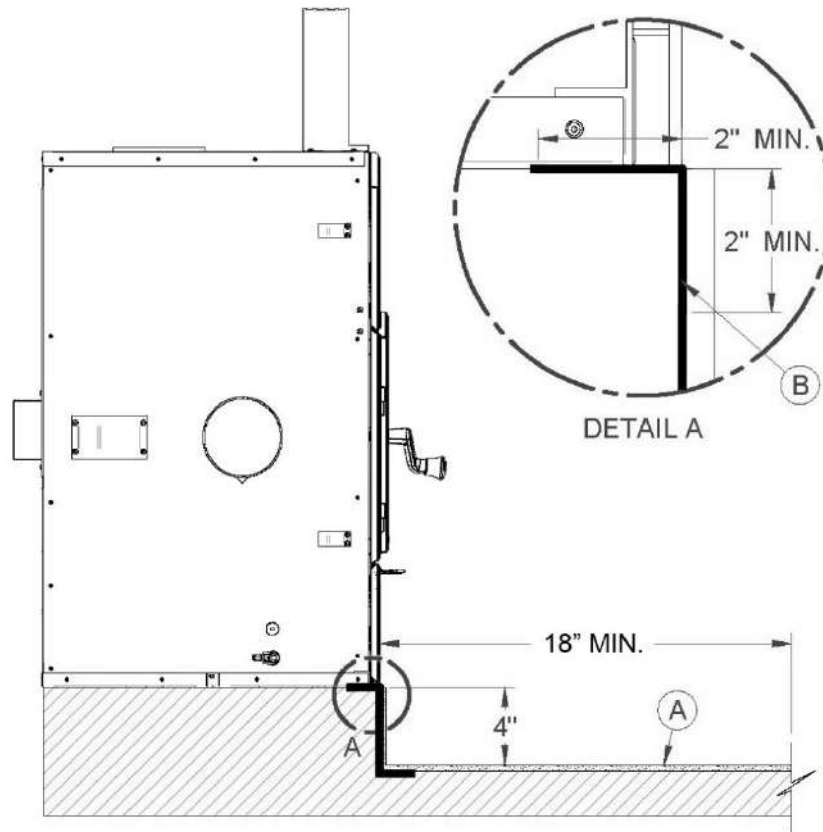


Figure 9

2.4.3 Framing, Facing, Mantel, and Combustible Shelf

Framing

The construction of the framing, facing, and mantel must be in accordance with the standards and the following illustrations (figures 10 to 16):

Frame the fireplace using 2" x 3" (5 cm x 8 cm) or heavier lumber.

WARNING: COMBUSTIBLE FRAMING MATERIAL CANNOT BE USED IN THE SPACE DIRECTLY ABOVE THE FIREPLACE, EXCEPT FOR THE STUDS ABOVE THE FACING THAT SUPPORT THE FACING MATERIAL AND MANTEL. THIS AREA MUST REMAIN EMPTY FOR A HEIGHT OF 80" (203 cm) MEASURED FROM THE BASE OF THE APPLIANCE.

Frame the fireplace with vertical studs at the sides of the fireplace running from floor to ceiling (see figure 14). Position the studs back from the front edge of the fireplace, a space the thickness of the facing material so that the facing can be installed flush with the fireplace facing (within limitations of figure 15). Frame headers between the vertical studs only as follows:

- Place 2" x 3" or 2" x 4" headers, only along the upper part of the front, side and back faces. Do not put wood or any combustible material within the area above the fireplace except on the front facing.
- Place headers only as required to support the facing and mantel.

WARNING: DO NOT PACK REQUIRED AIR SPACES WITH INSULATION OR OTHER MATERIALS.

WARNING: THE FIREPLACE MUST NOT BE IN CONTACT WITH ANY INSULATION OR LOOSE FILLING MATERIAL. COVER THE INSULATION WITH GYPROC PANELS AROUND THE FIREPLACE. (CHECK LOCAL CODES)

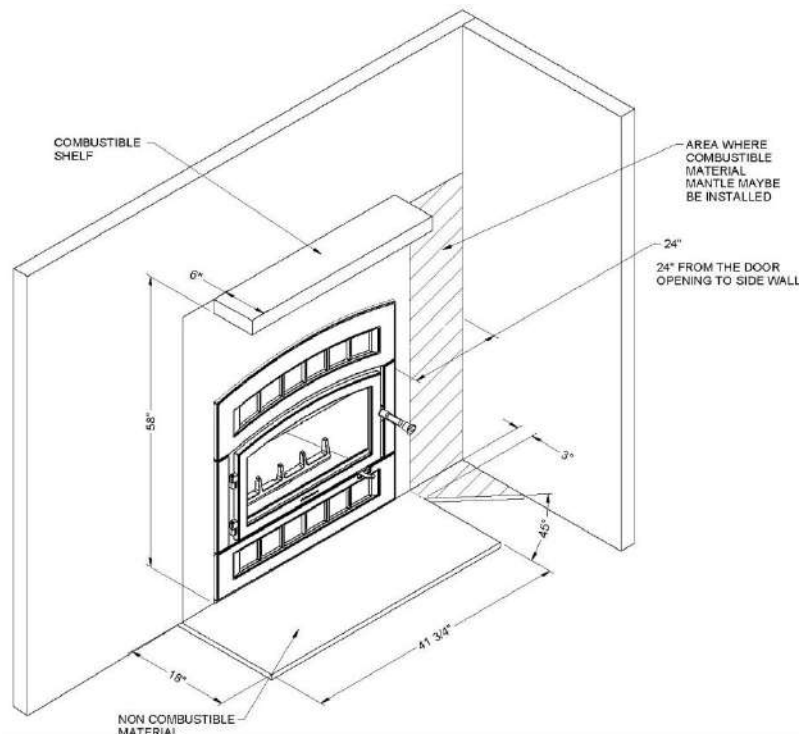


Figure 10

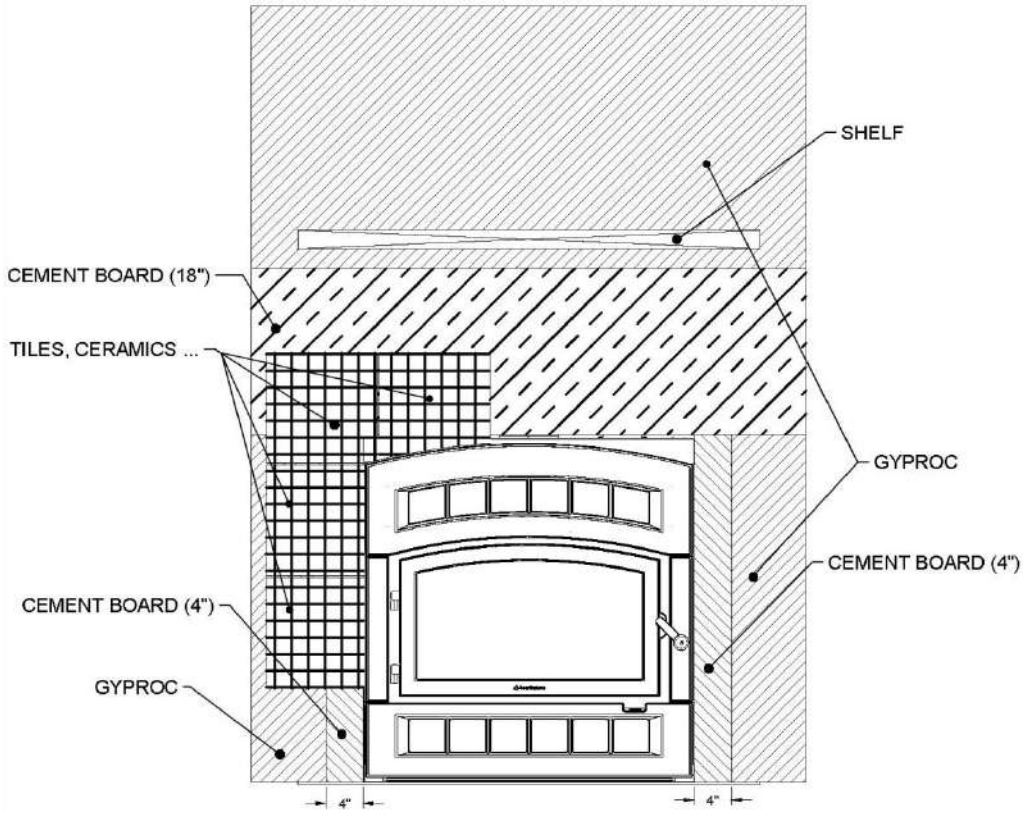


Figure 11

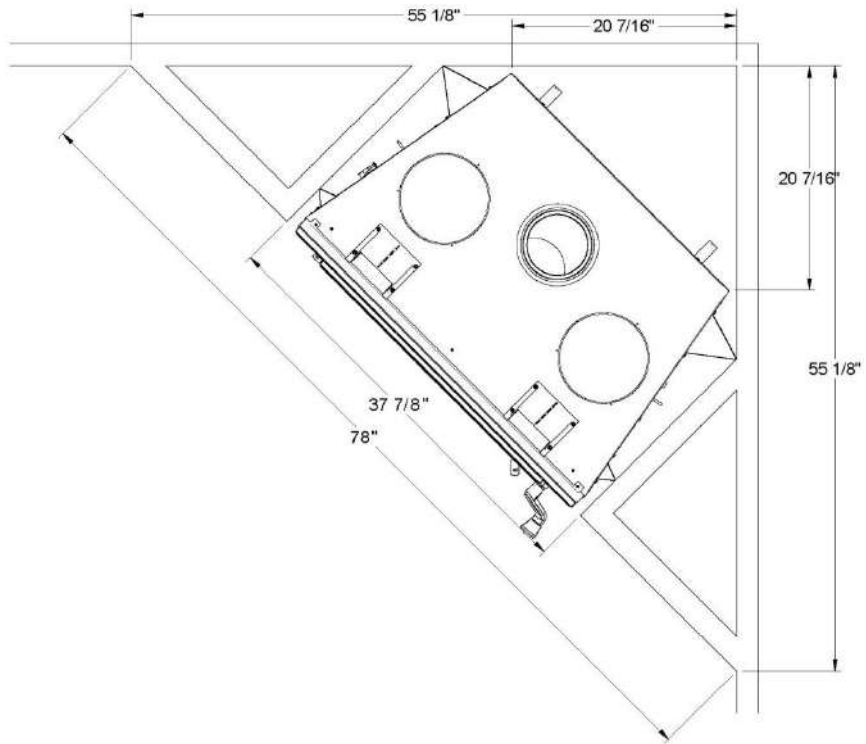


Figure 12

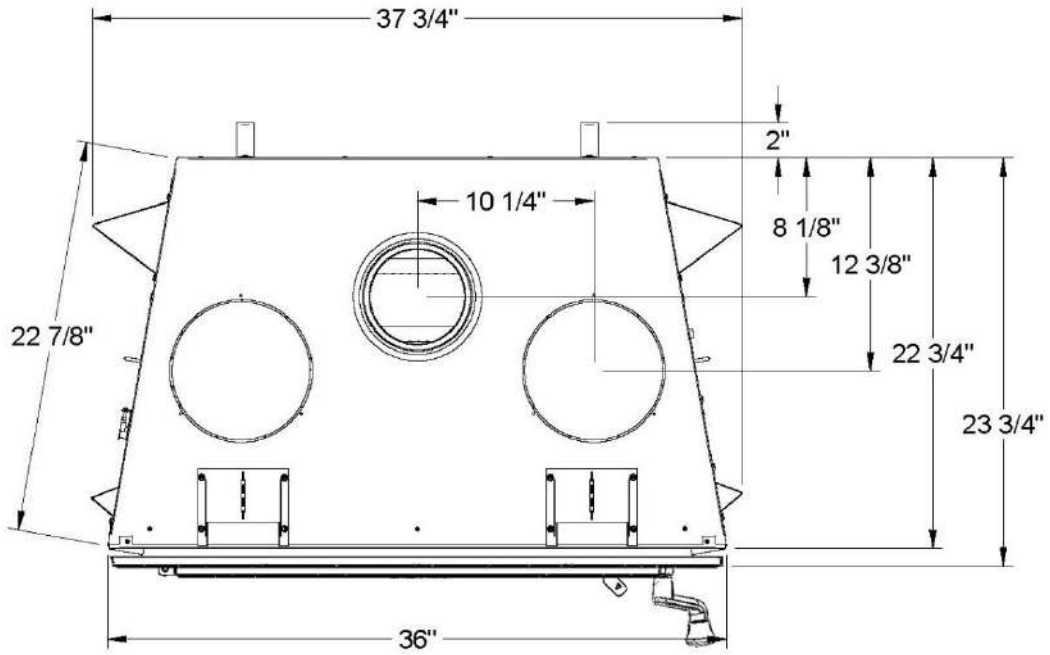


Figure 13

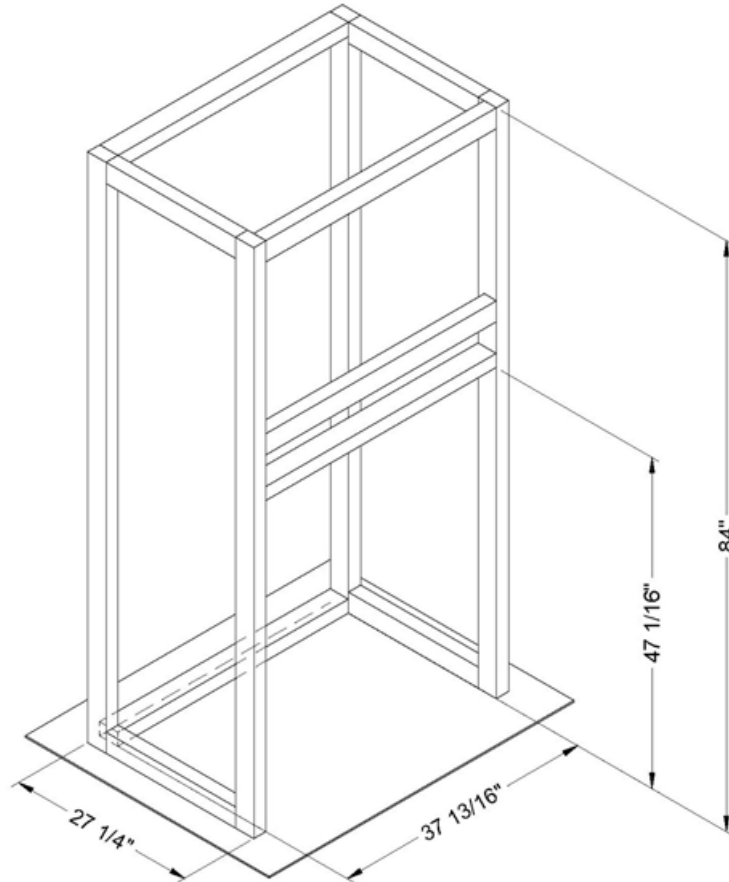


Figure 14

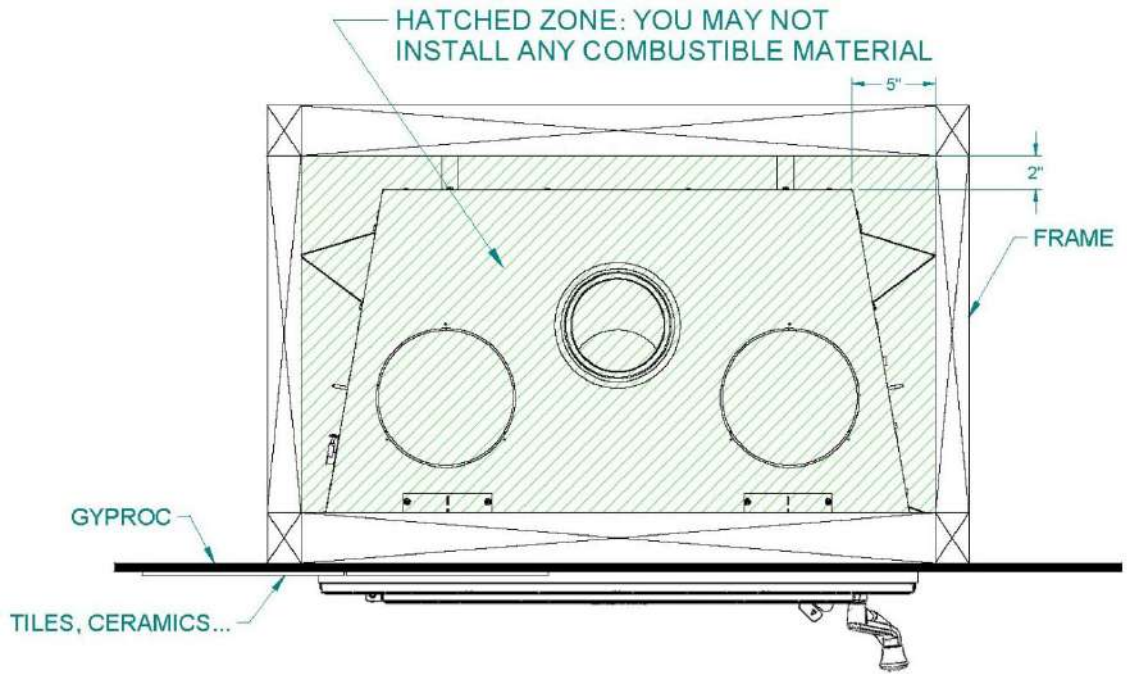


Figure 15

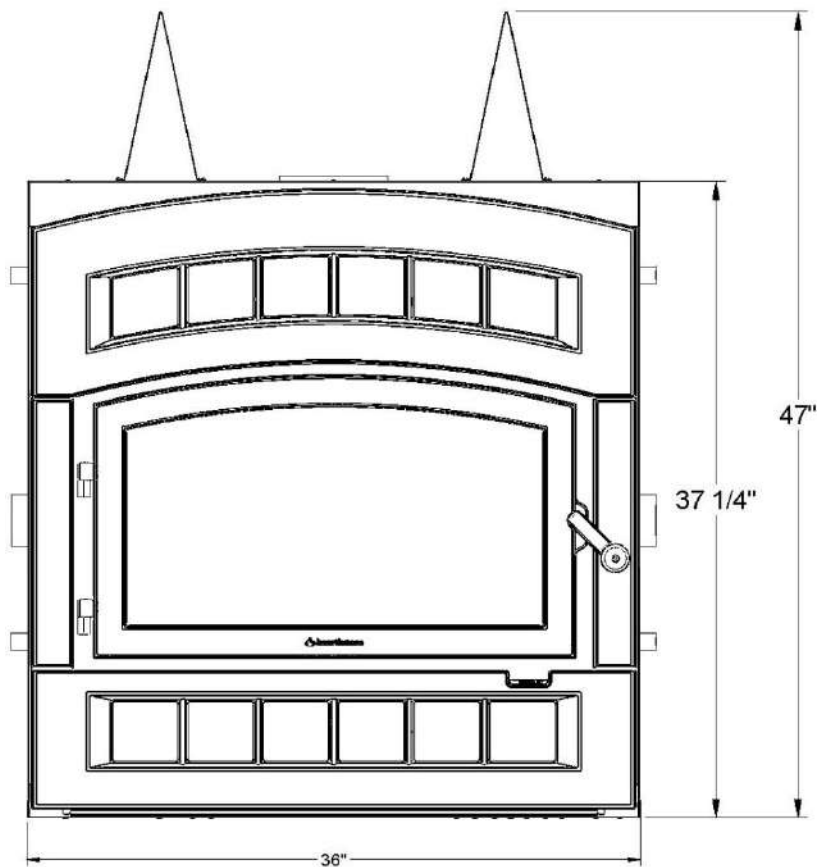


Figure 16

Insulated Chase Construction

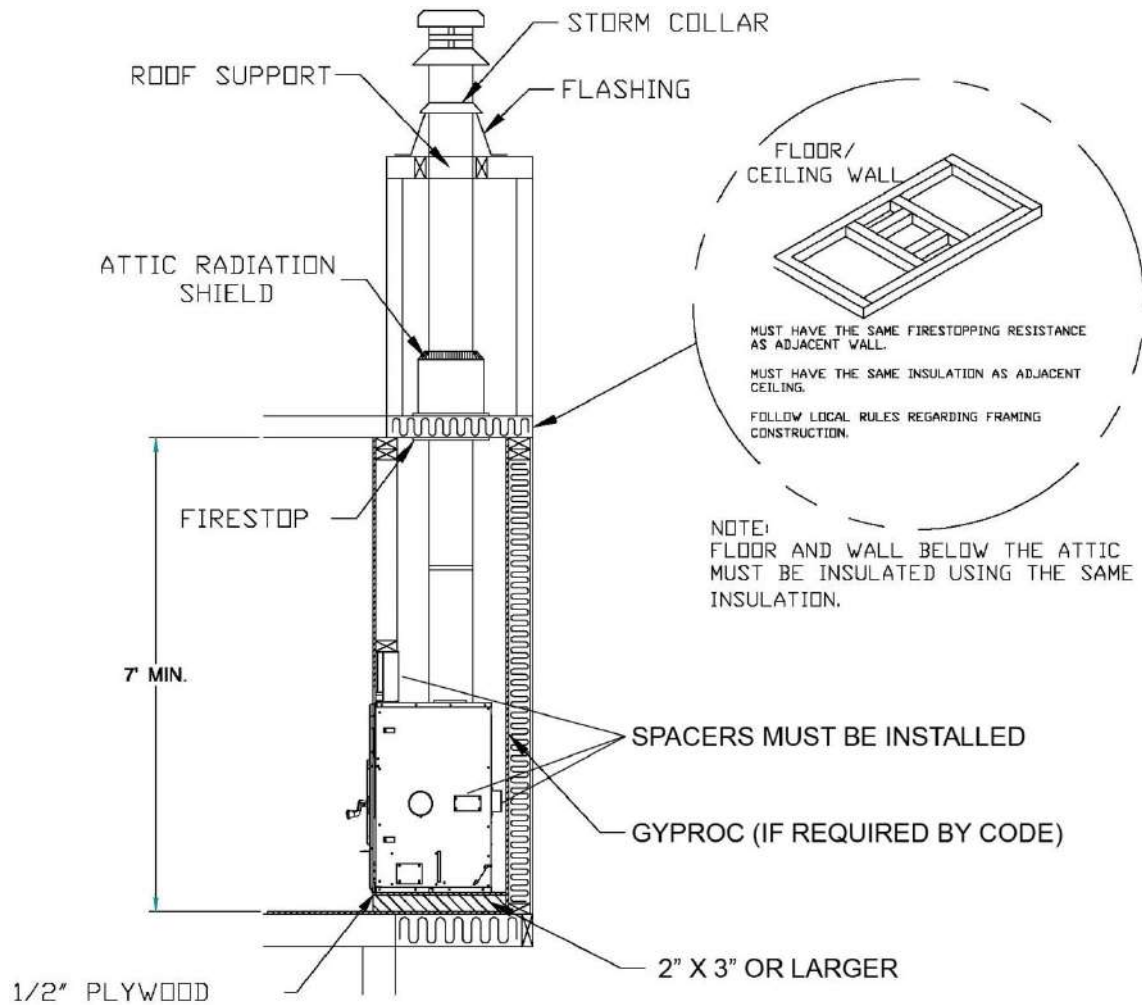
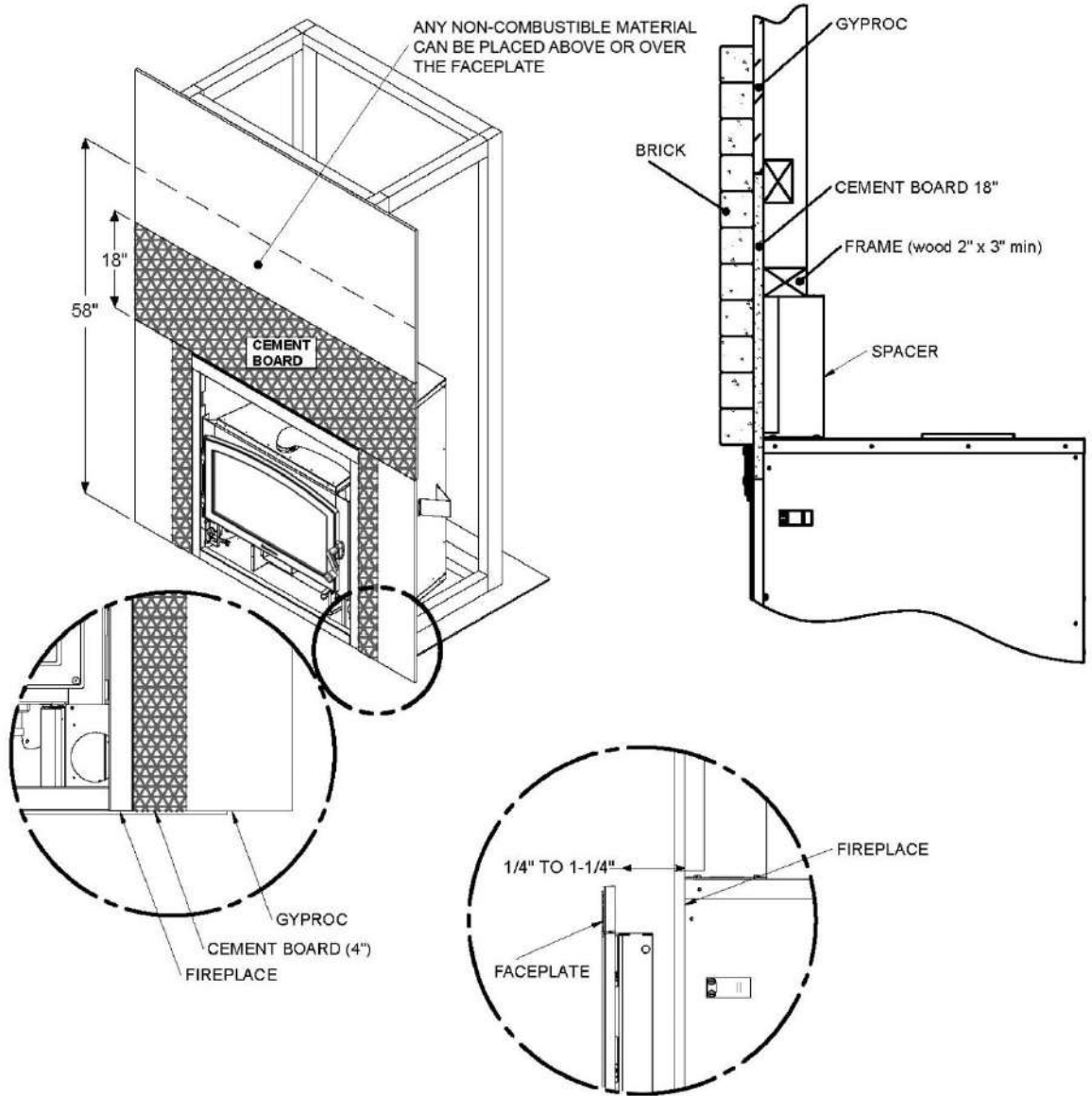


Figure 17

Facing

1. Materials directly in contact with the faceplate of the fireplace, especially the vertical and horizontal surround, must be non-combustible and have the minimal dimensions as shown on figure 18.
2. Non-combustible materials such as brick, stone or ceramic tile may project in front of and onto the fireplace decorative frame.

Caution: Materials must be installed so that the faceplate may be removed after the installation. The faceplate is designed to overlap the material surrounding the fireplace. If the material is thicker, use a faceplate gauge for positioning and make sure that the faceplate can be removed after it has been installed.



TOP VIEW

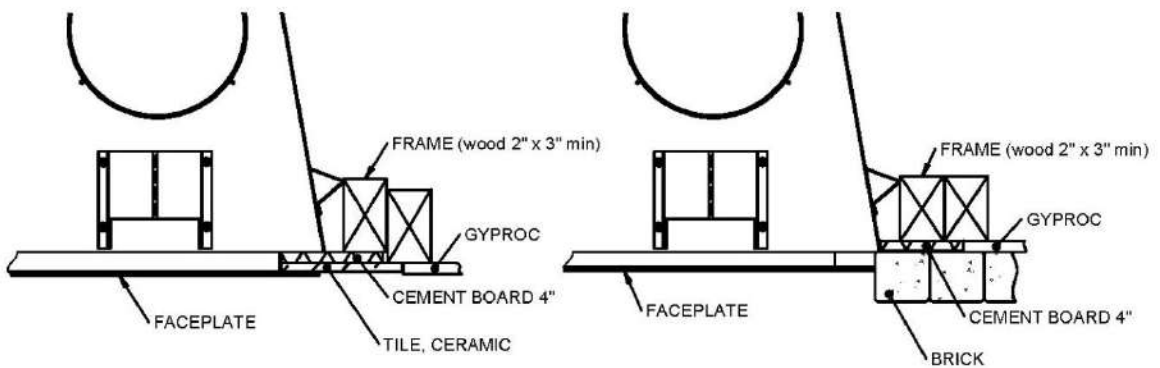
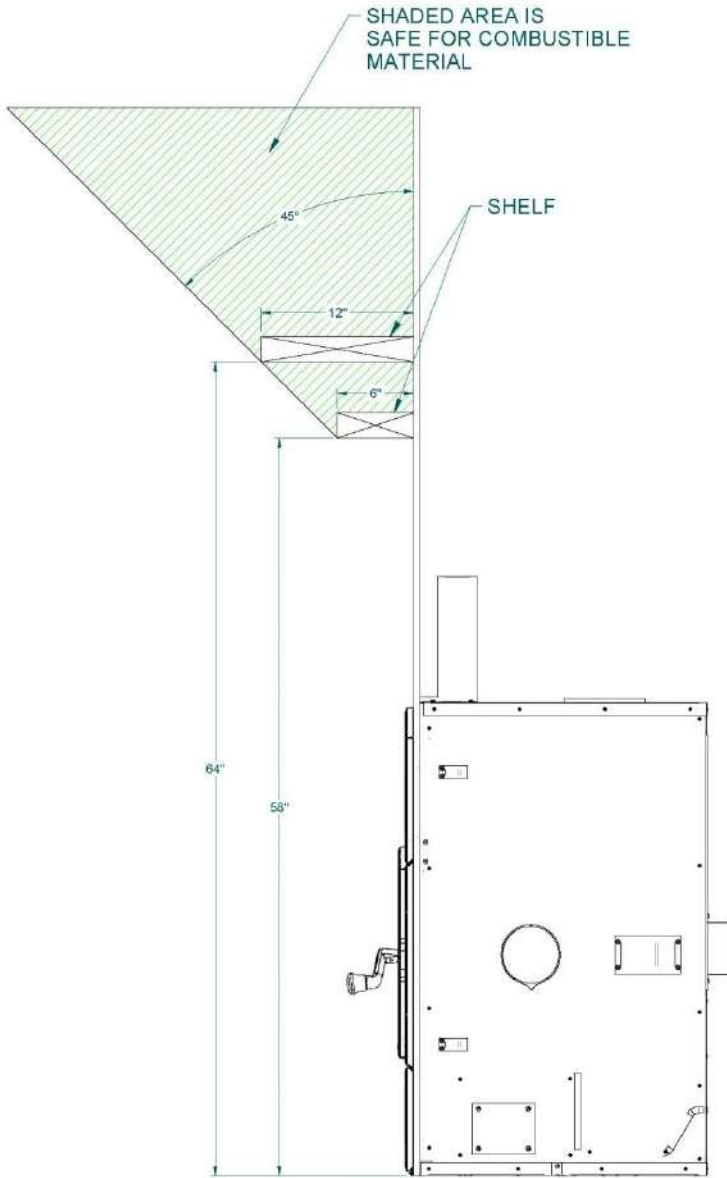


Figure 18

Combustible shelf

To install any combustible shelf (mantle), refer to figure 17 for a safe installation. For example, a shelf with a 6" depth (152 mm) must be installed at least 58" (127 cm) above the base of the fireplace. Different shelf dimensions are listed in figure 17 in order to facilitate installation. However, the minimum height of the shelf is 58". If the depth of the shelf is not listed in the table, add 52" to the depth of your shelf to obtain the safe positioning of your shelf. For example, for a 9" shelf, the safe positioning would be 61" (52 inches + 9 inches).



Shelf Positioning	
Shelf Dimension	Shelf Position
6" / 152 mm	58" / 1473.2mm
8" / 203 mm	60" / 1524mm
10" / 254 mm	62" / 1574.8 mm
12" / 305mm	64" / 1625.6mm

Figure 19

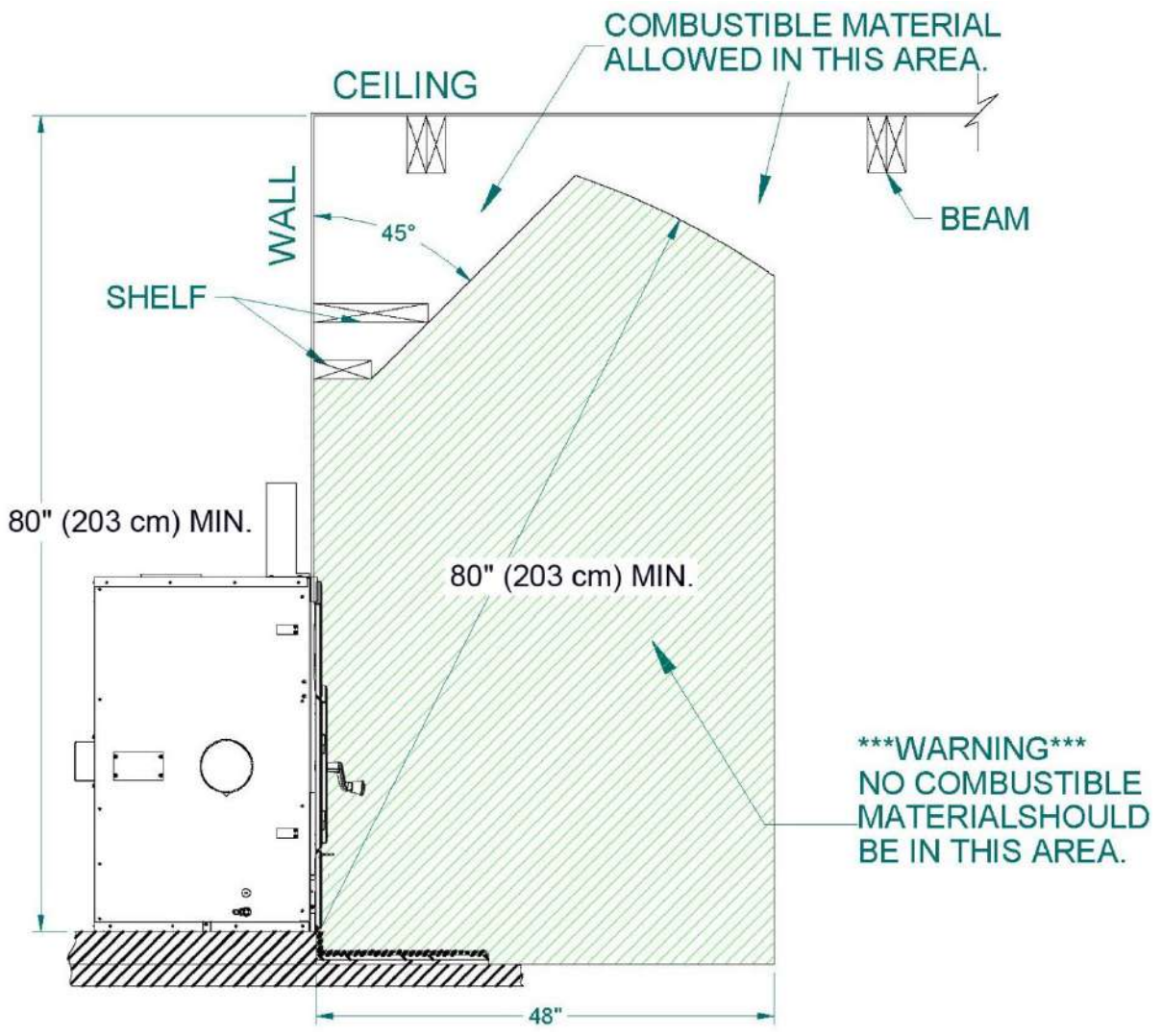


Figure 20

2.4.4 Blower Connection

The fan will come on as soon as the fireplace reaches its minimum start temperature. Have the wiring installed by a qualified electrician. Connect the wires from the power outlet to the terminal block, making sure that the white wire matches the white wire on the terminal. Connect the black wire with the black wire of the terminal block. The ground (green or skinned wire) must be attached to the fireplace metal frame.

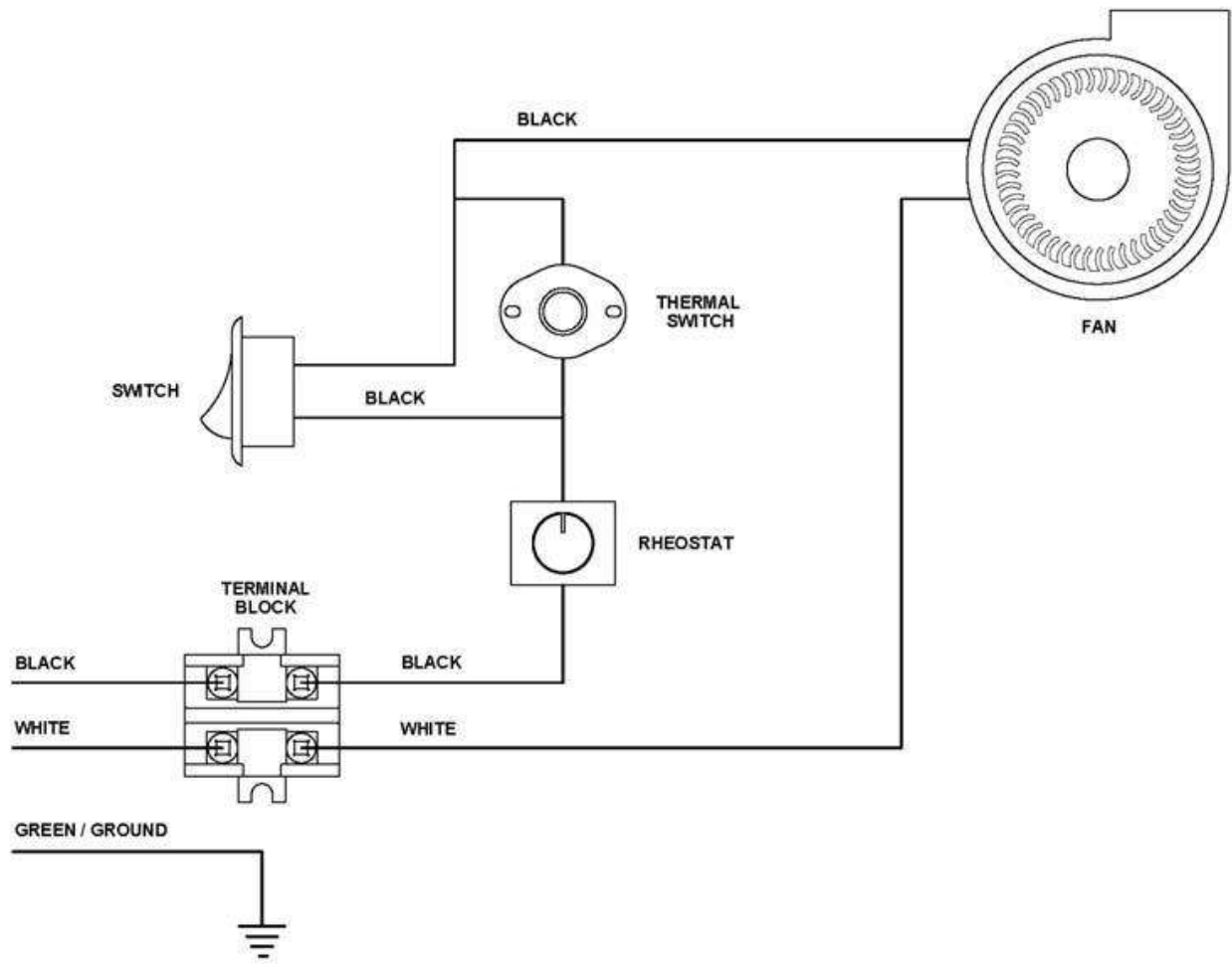


Figure 21

2.5 FACADE AND DOOR INSTALLATION

2.5.1 Facade Package

The facade package contains the following items (Figure 22):

1. Door assembly
2. Facade assembly
3. Wooden knob
4. Shoulder screw (for door knob)
5. 3/32 Hex wrench (for installing and adjusting the door hinges)
6. 5/32 Hex wrench (for installing the knob on the door handle)
7. 2 self-tapping screws
8. 2 springs (for securing the façade)

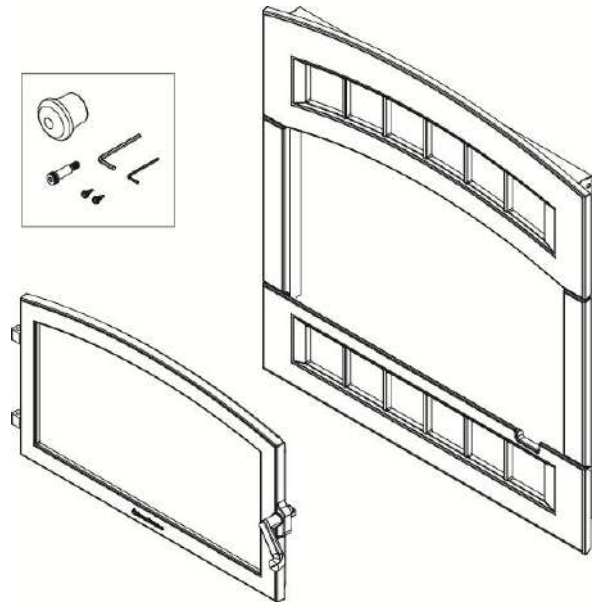


Figure 22

2.5.5 Install the door:

To install the door, follow these steps (Figure 23):

1. Use the hex wrench included in the facade package to loosen the screws on the upper hinge of the door. Only loosen enough to make the hinge move slightly.
2. Attach the door to the fireplace by sliding the hinges onto the hinge pins. Make sure the hinges are fully connected, so that there is contact between the hinges of the door and fireplace.
3. Tighten the screws on the upper hinge of the door.

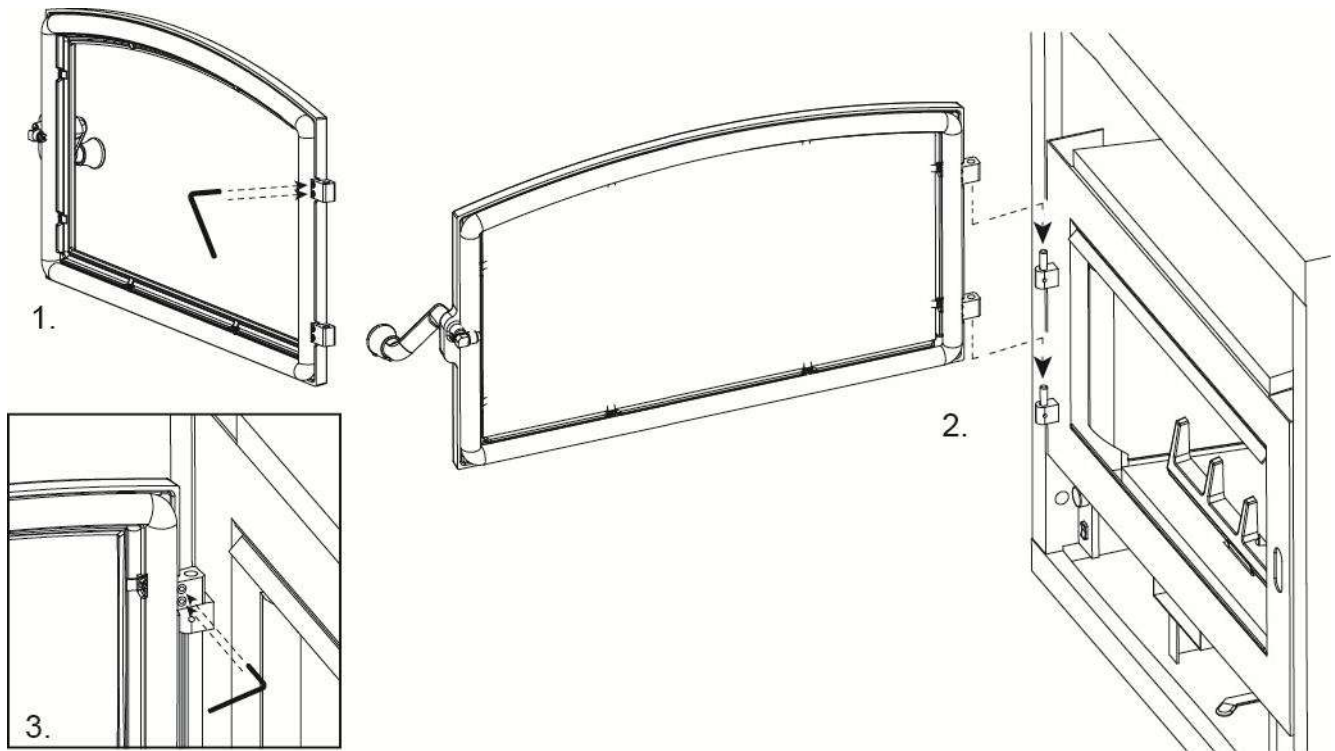


Figure 23

2.5.6 Install the door knob:

Attach the wooden knob to the handle using the Shoulder screw. Tighten the screw using the 5/32 hex wrench. (Figure 26)

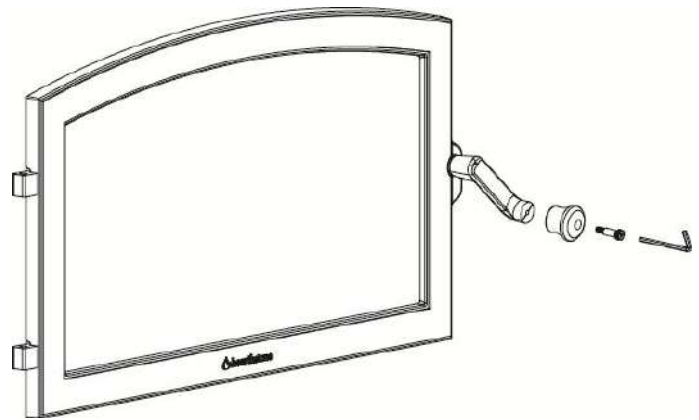


Figure 24

2.5.7 Adjusting the door alignment:

To adjust the door positioning and spacing (Figure 25):

1. Remove the door. (loosen the screws on the upper hinge if needed)
2. Loosen the hinge pin set screws.
3. The hinges are eccentric pins that you to adjust the position of the door left, right, forward and back. Rotate the hinge pins until the door is in the correct position. If the door hinges are misaligned, it will tilt. It is therefore recommended to align the hinges along the same axis to make the door close in a horizontal position.

- Once the ideal position has been achieved, lock the hinges in place by tightening the set screws.

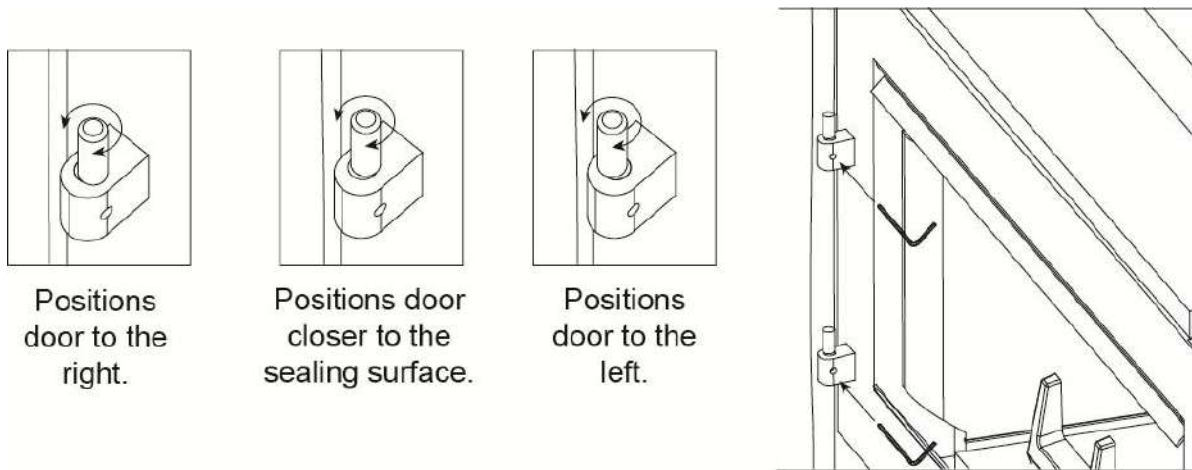


Figure 25

2.5.2 Install the facade:

- Insert the metal frame of the facade into the front of the fireplace.
- Pivot the façade forward at the top and attach the fireplace springs to the holes in the upper corners of the facade frame.
- Firmly push the facade to the fireplace to secure the bottom. (Figure 26)

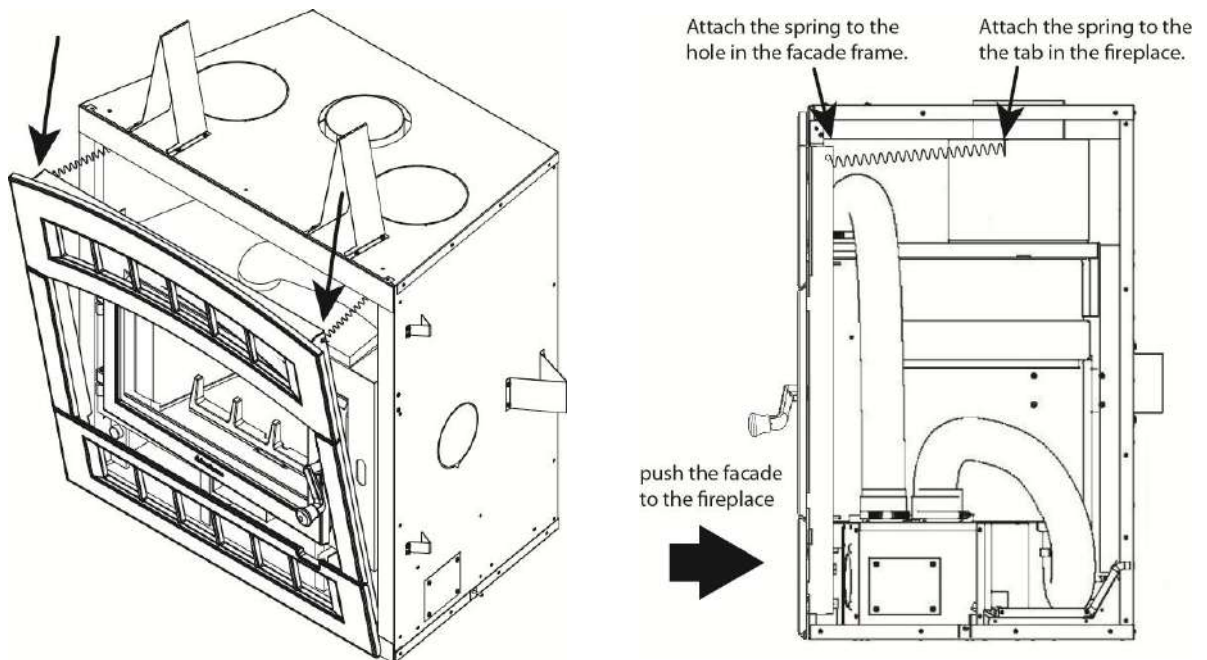


Figure 26

2.5.3 Secure the facade:

1. Open the Blower door. (Figure 27)
2. Secure the facade using the 2 self-drilling screws provided. Drive the screws through the slots in the facade frame into the metal frame of the fireplace. (There are no pre-drilled pilot holes)
3. If you are planning to install a non-combustible facing material behind the facade, plan the depth of this material before securing the screws. Refer to section 2.4.3.

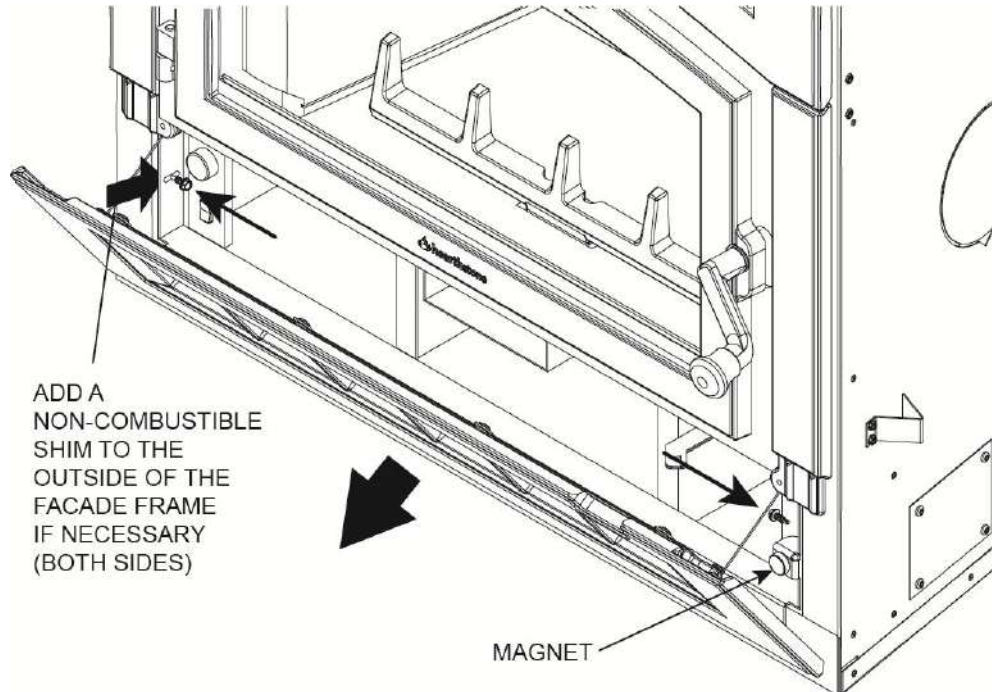


Figure 27

2.5.4 Adjusting the blower door

The blower door is held closed by a magnet on the right side of the facade. To adjust the strength of the closure, spin the magnet to adjust in/out.

2.6 HOT AIR DUCTING INSTALLATION

Different hot air ducting systems can be installed with the WFP-75:

- Gravity kit
- Forced air kit

2.6.1 Gravity Convection Air Kit

The kit includes:

- 2 x hot air outlets (grilles and frames);
- 2 x 90° elbows with brackets;
- 1 deflector.

The gravity kit allows you to block the upper fireplace grille. To do so, follow the steps below:

1. Remove the faceplate;
2. Install the deflector as shown on figure 28;
3. Put the faceplate back into place.

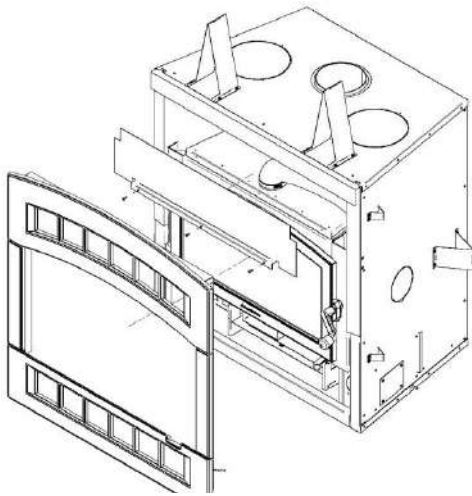


Figure 28

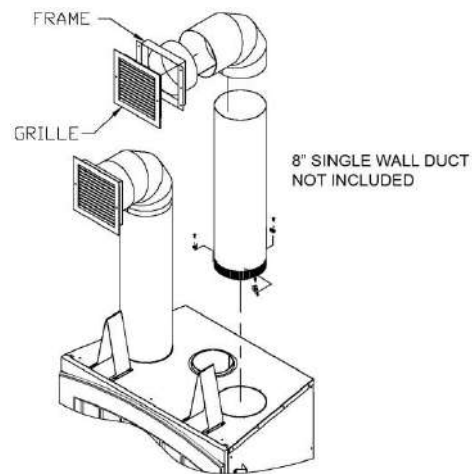


Figure 29

Use 8" single wall ducting to connect the grilles to the fireplace. The safety rules for hot air ducting gravity kit installations are the following:

- Minimum height* 68" (1.7 m)
- Maximum length 10' (3m) (see figure 30)

*The minimum height of the hot air ducting must be measured from the floor to the top of the hot air grilles.

The hot air grilles can be installed in the same room as the fireplace, or one or both of the grilles can be installed in adjacent or upper rooms. Installing the ducts at different elevations will tend to exhaust more heat out of the higher grilles (figure 31).

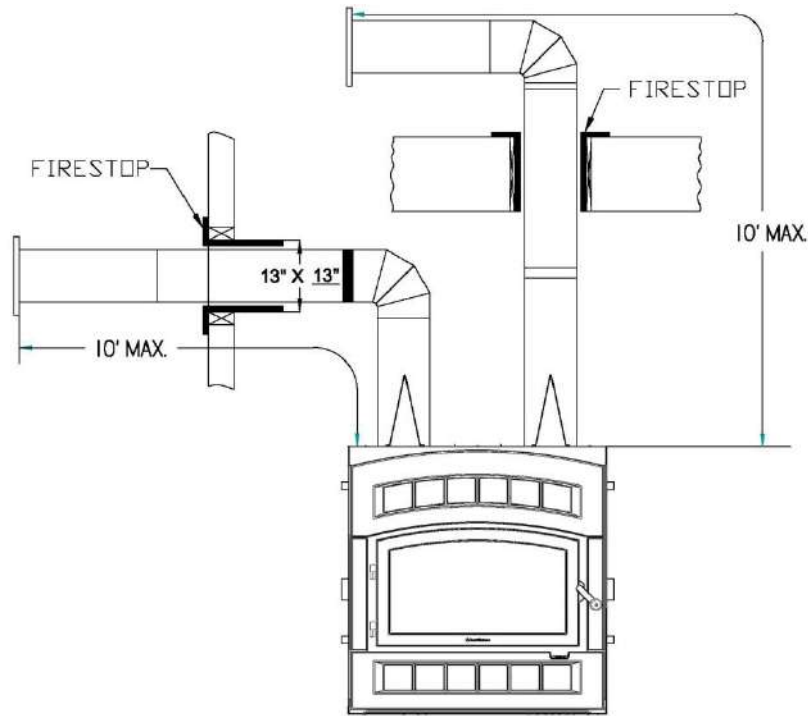


Figure 30

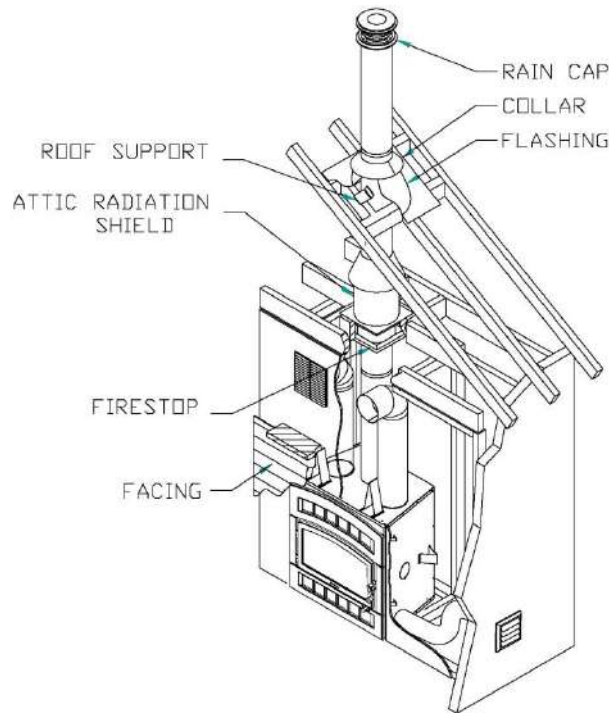


Figure 31

The duct system must be installed respecting the following:

1. Remove the plates closing up the 8" dia. holes on top of the fireplace. Then, cut the insulation in order to obtain two 8" dia. openings. Insert the ducting into each opening and fix it in place using the 6 steel brackets supplied (3 for each duct).
2. Maintain at least a 2" (50 mm) clearance between the ducts and the firestop; the required hole size for the hot air grilles (outlet) is 8¼" × 8¼" (210 mm × 210 mm).
3. The maximum number of elbows in a run of duct is two.
4. Maintain at least 10" (254 mm) clearance from the outlet grille framing to a combustible ceiling, side wall or mantel.
5. When passing through a combustible wall or floor, a firestop must be installed at the wall or floor penetration. The hole size must be in accordance with the duct manufacturer's instructions.
6. Do not connect the hot air ducts to a central heating system. Malfunction of the heating system's fan will cause the fireplace to overheat.
7. Do not use insulated flexible ducts as they may overheat.
8. Do not use tees or any other components than the ones specifically listed here.
9. All ducts must extend upwards or horizontally. Never route the ducting downwards.
10. The hot air outlet grilles must be installed with the louvers pointing downwards in order to prevent overheating adjacent ceilings.
11. Always install the two outlet grilles when using the hot air outlet kit and blocking the upper louver of the fireplace.

2.6.2 Forced Air Convection Kit (Not tested under EPA certification)

Note: The Forced Air Convection Kit includes materials for one (1) vent run. You may install only one Forced Air Convection Kit on a fireplace. The kit includes:

- 1 blower
- 1 5" flex adapter
- 3 pipe clamps
- 1 control box with heat sensor and PC board

The knock-outs provided on the back and on the sides of the WFP-75 allow the connection of insulated flexible pipe which enables you to heat adjacent rooms up to 50 feet from the fireplace (see figure 34).

The ducting system must be installed as described below:

1. Remove the knock outs at the back and/or the side of the fireplace and cut the insulation around the hole. Fix the adapter into place with screws. You can use more than one outlet on the fireplace (figure 32);
2. Attach the 5" flexible pipe, using the collars provided. Important: Make sure that the plastic wrapping around the flexible pipe is not in contact with the fireplace;
3. Attach the flexible pipe to the fan's air inlet using the collars provided (figure 33);
4. Attach a flexible pipe to the fan's air outlet and route the flexible pipe to the chosen location. The ducting system can be installed either in an upper room or in a lower room;
5. At that point, the flexible pipe can be attached to any air distribution grille.
6. Make the electrical connections to the PC Board as explained with the forced air kit owner's manual.

Since the forced air kit requires electricity, make sure that the connections to the fan have been made according to the local codes and comply with their requirements (see instruction provided with the kit).

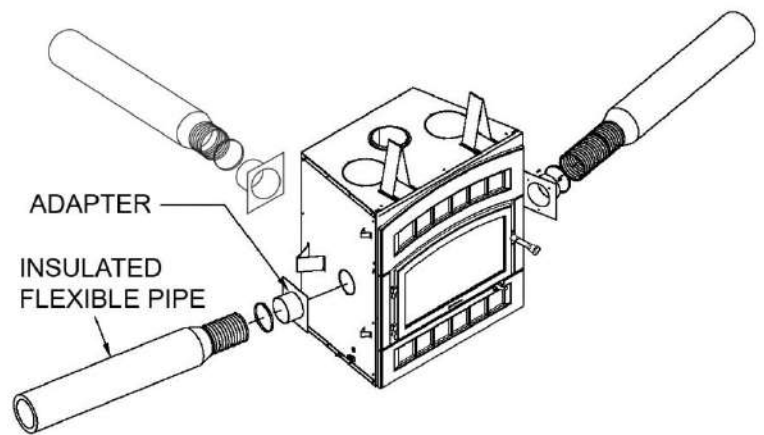


Figure 32

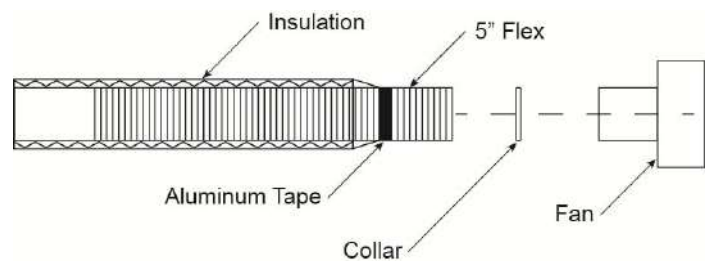


Figure 33

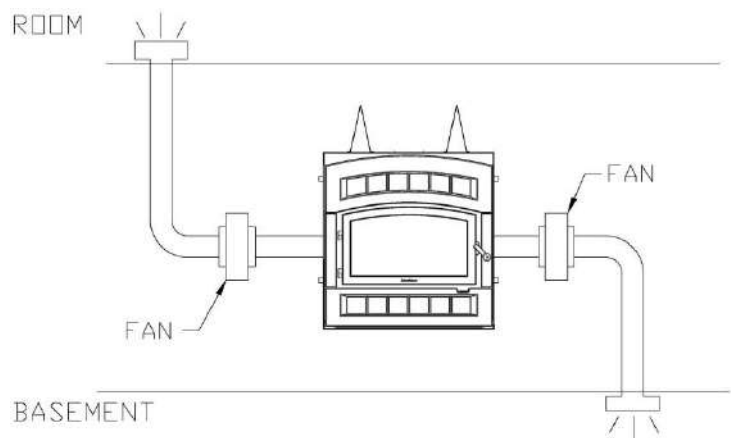


Figure 34

2.7 FRESH AIR KIT

During operation, the fireplace requires fresh air for combustion and draws air out of the house. It may starve other fuel burning appliances such as gas or oil furnaces. As well, exhaust fans may compete for air, causing negative pressure in the house, resulting in smoke entering the house from the fireplace. This situation is aggravated in modern airtight houses. To overcome this problem, we strongly recommend that you bring fresh air to the fireplace. Check with local authorities having jurisdiction in your area, it may be mandatory.

The fresh air kit is included with your fireplace, however, you will need to purchase the necessary venting and termination.

2.7.1 Fresh Air kit Installation

Refer to the following requirements to install a fresh air kit to the fireplace:

1. Insulated duct length should be sufficient to avoid condensation.
2. The outside wall termination must not be installed more than 10 ft. (3 m) above the base of the fireplace.
3. The fresh air must come from outside the house. The air intake must not draw air from the attic, from the basement, from a crawl space, or from a garage.
4. The outside wall termination should be installed where it is not likely to be blocked by snow or exposed to extreme wind and away from automobile exhaust fumes, gas meter and other vents.
5. The outside termination may be installed above or below floor level.
6. If more fresh air is needed (airtight house or conduit exceeding 10 ft or 3 m), two intakes may be installed, providing twice the quantity of incoming fresh air; you may also increase both conduits to 4 inches, with the use of a 3 to 4 inch adaptor, again increasing substantially the quantity of incoming fresh air.

Your fireplace contains the following components:

1. One (1) 3" adaptor;
2. One (1) air inlet block-off plate;
3. Six (6) screws;
4. One (1) 3" to 4" adaptor

The following components are not included:

1. A 3" insulated flexible conduit
2. The outside air inlet cap
3. The 2 adjustable straps

To complete the fresh air installation, you will need 3" insulated flexible pipe. Use the length required for your installation while respecting the maximum length of 10 ft (3 m).

Make a 3 1/4" (83 mm) hole in the outside wall of the house at the chosen location. From outside, place the outside air inlet cap in the hole (open side down) and fasten the register to the wall, with screws as shown (see figure 35). Place the insulated pipe over the register tube and over the fireplace outside air connector (see figure 36). At each end, carefully pull back the insulation and plastic cover, exposing the flexible pipe. Attach the flexible pipe using pipe clamps. For a better seal, you may also use aluminum tape. Wrap the tape around the joint between the flexible pipe and the air inlets. Carefully push the insulation and plastic cover back over the pipe. Fix the plastic in place using aluminum tape.

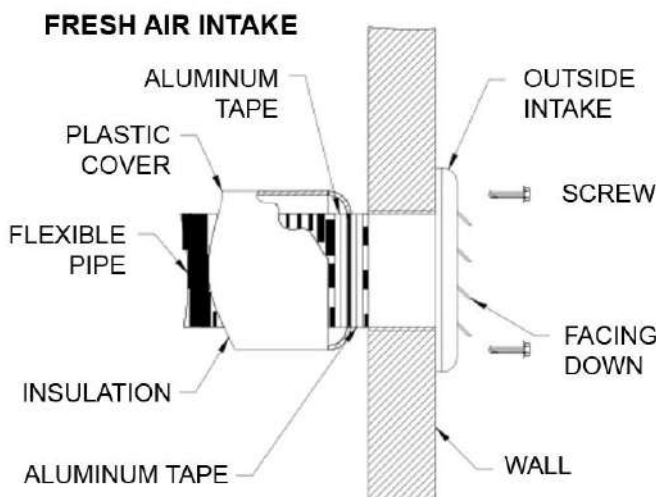


Figure 35

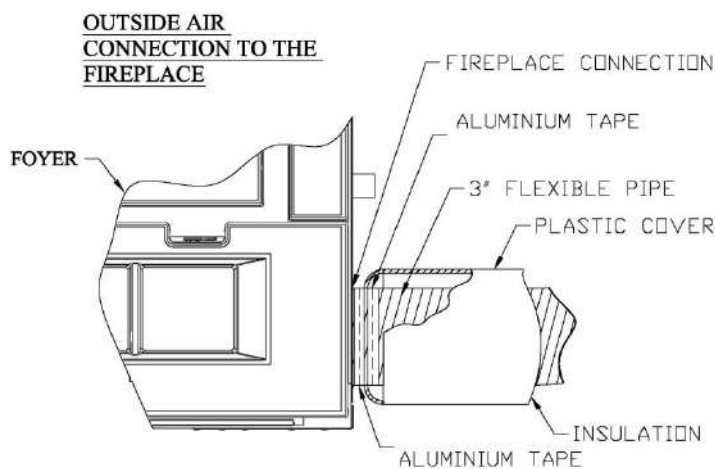


Figure 36

To install the outside air adapter:

1. Remove the blower door.
2. Seal the room air intake located on the right side by installing the plate over the opening. Use the two clips on the right side and two screws on the left side as in figure 37 to secure the plate.
3. Select which air inlet you wish to use figure 38 (you may use more than one) and either remove the cover figure 39 (side inlet) or remove the knock-out (bottom and rear inlets).
4. Install the adapter over the selected inlet with the 4 screws included (figure 40).
5. Secure a 3" insulated flexible conduit (not included) to the adapter and the outside termination (not included) with the 2 adjustable straps (not included) figure 35, 36 & 41.

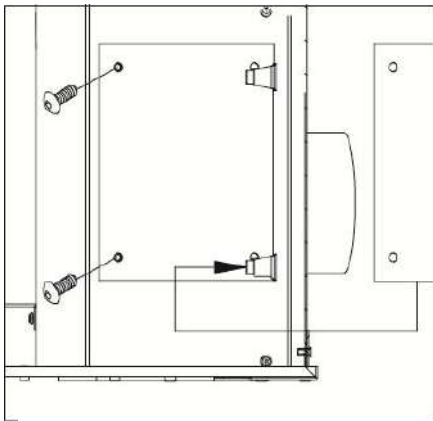


Figure 39

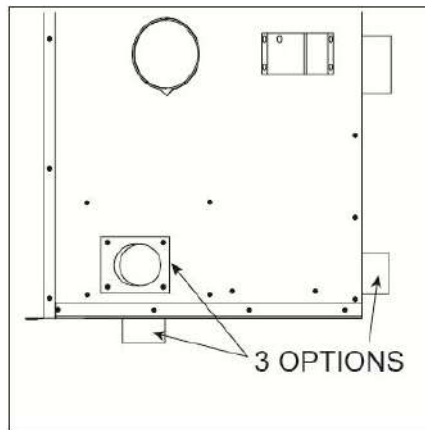


Figure 38

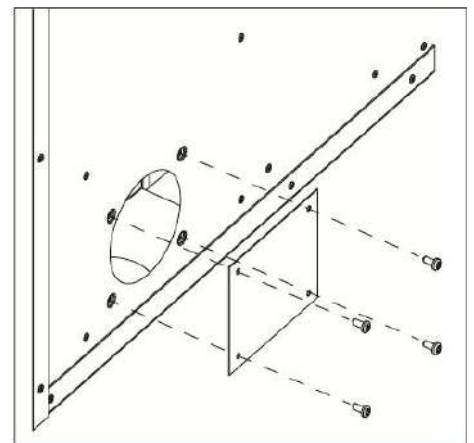


Figure 37

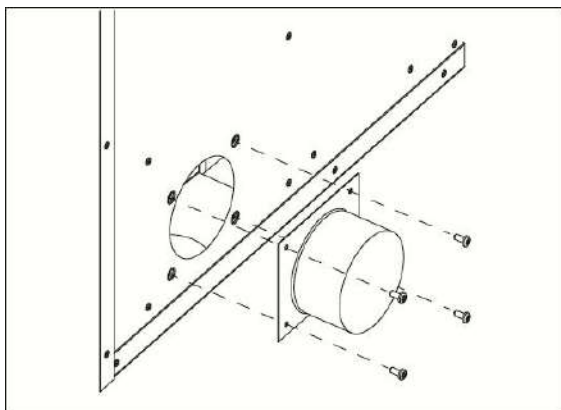


Figure 40

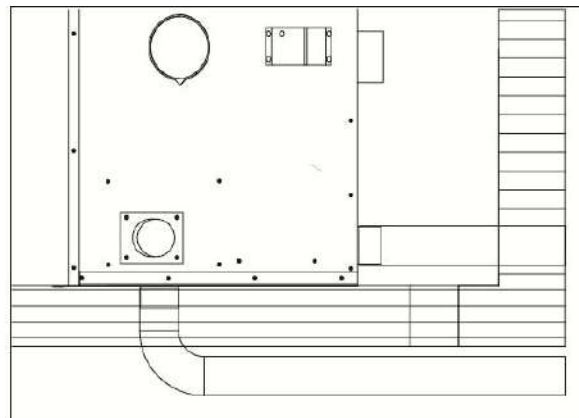


Figure 41

3. THE CHIMNEY

3.1 CHIMNEY INSTALLATION NOTES

1. If possible, install an interior chimney as it will provide better performance. In areas with continuous temperatures below -18°C (0°F), the use of an exterior chimney increases the likelihood of operating problems such as low draft, high rate of creosoting, and poor start-up characteristics. Exterior chimneys are also prone to down-drafting and flow reversal. Installations, which are located on lower floors in the house, such as in a basement, in combination with outside chimney, are especially prone to flow reversal.
2. The WFP-75 is listed only with chimney systems described in table 2.
3. The chimney must be dedicated and must not vent any other appliance.
4. The minimum chimney system height is 15 ft. (4.6 m).
5. All chimney installations must include at least one support. Reducing the amount of chimney weight on the fireplace will help avoid the noise created when the fireplace expands. This can be achieved by having the chimney supported by the supports. The maximum chimney length that should be supported by the fireplace is 9 ft. (2.75 m) for 2" Solid Pack Chimney, 12ft. (3.7m) for 1" Solid Pack Chimney, and 26ft. (8m) for AC Triple Wall Chimney.
6. The chimney must extend at least 3 ft. (1 m) above its point of contact with the roof and at least 2ft. (0.6m) higher than any wall, roof or building within 10ft. (3m) of it (Figure 42).
7. If the chimney extends higher than 5 ft. (1.5 m) above its point of contact with the roof, it must be secured using a roof brace.
8. A rain cap must be installed on top of the chimney. Failure to install a rain cap may cause corrosion problems.
9. Cut and frame square holes in all floors, ceilings, and roof that the chimney will go through to provide a 2" (50mm) clearance between the chimney and any combustible materials. Do not fill this 2" space with insulation or any other combustible material.
10. Portions of the chimney which may extend through accessible spaces must be enclosed to avoid contact with combustible materials or damage the chimney.

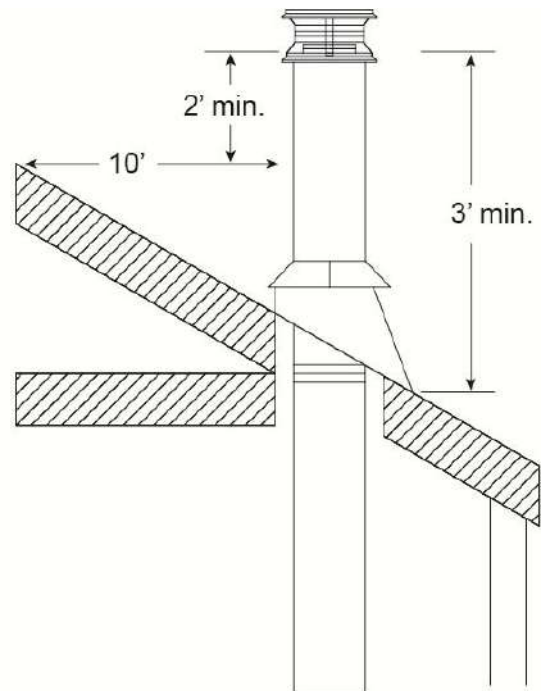


Figure 42

3.2 CHIMNEY INSTALLATION INSTRUCTIONS

1. Cut and frame the holes in the ceiling, floor and roof where the chimney will pass and install rafter protectors (see figure 43). Use a plumb bob to line up the center of the holes. Make sure that the size of the floor and ceiling holes are in accordance with the chimney manufacturer's instructions.
2. From below, install a firestop supplied by the chimney manufacturer in each ceiling/floor separation through which the chimney will pass. At the attic level, install an attic radiation shield from above (see figure 44).
3. Follow the chimney's manufacturers' instructions and place the first chimney length on the fireplace. For all chimneys, you must use an anchor plate supplied by the chimney manufacturer before installing the first chimney length (see figure 44). Continue installing chimney lengths making sure to lock each length in place.
4. Every time the chimney passes through a ceiling or a wall, install the appropriate firestop. When you reach the desired height, install the roof support. (Refer to instructions included with the support.).
5. Then, put the roof flashing in place and seal the joint between the roof and the flashing with roofing pitch (see figures 44). For sloping roofs, place the flashing under the upper shingles and on top of the lower shingles. Nail the flashing to the roof, using roofing nails.
6. Place the storm collar over the flashing, and tighten it with the bolt supplied. Finally, seal the joint between the storm collar and the chimney, using silicone caulking.
7. Install the chimney cap.
8. When a ventilated roof flashing is installed, precautions are to be taken not to caulk or seal the ventilating openings.

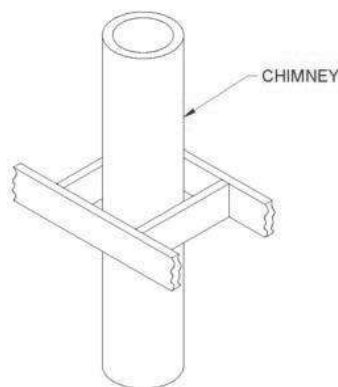


Figure 43

EXAMPLE OF TYPICAL CHIMNEY INSTALLATION

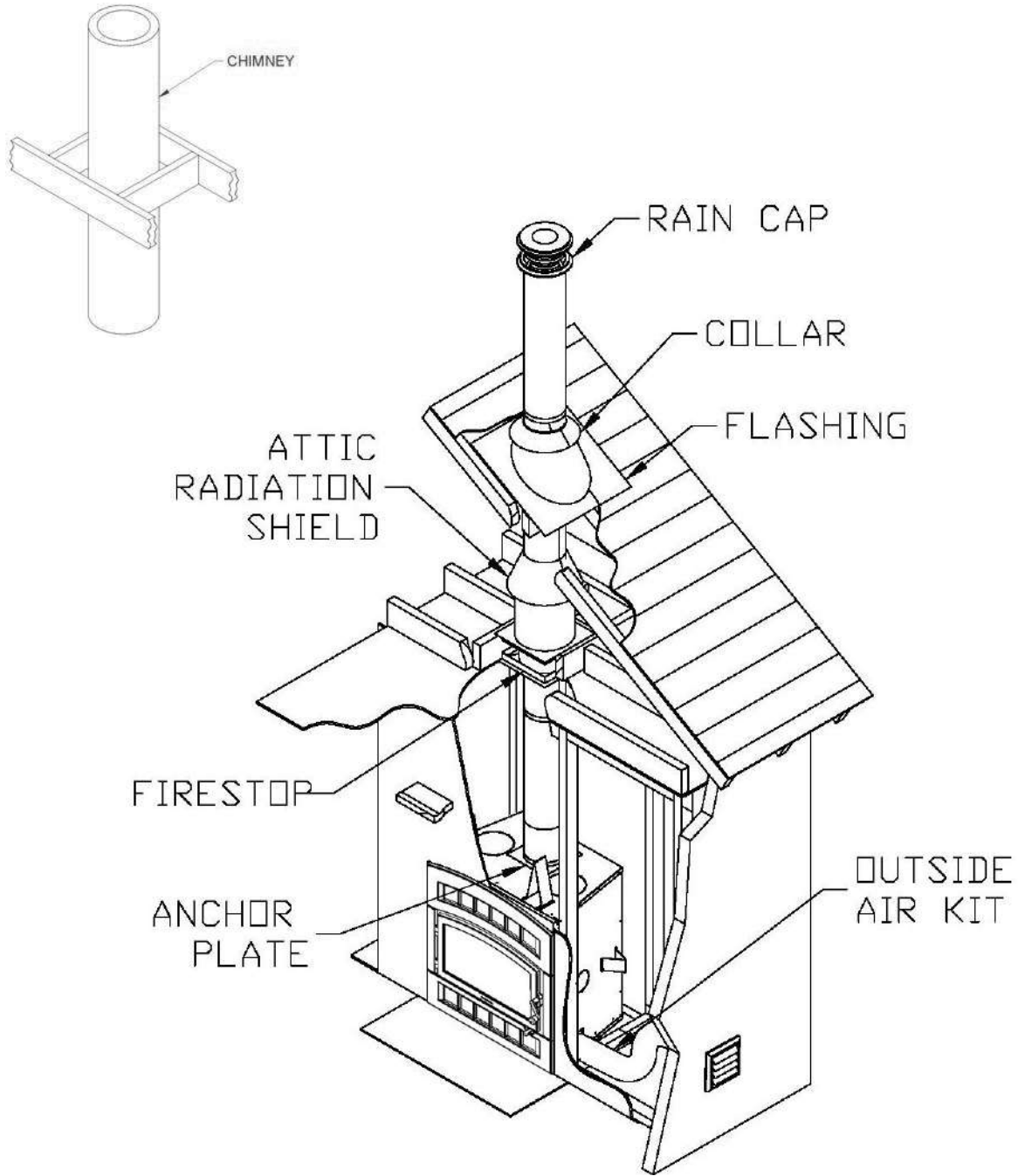


Figure 44

3.3 OFFSET CHIMNEY INSTALLATION

The minimum system height when using elbows is:

Fireplace model	WFP-75
Chimney model	All models
Vertical installation	15 ft. (4.6 m)
Two (2) elbows	15 ft. (4.6 m)
Four (4) elbows	17 ft. (5.2 m)

After reaching the location requiring the elbow, proceed as follows:

1. Install the first elbow; turn it in the required direction. Secure it to the chimney according to the chimney manufacturer's instructions. In many cases, it is recommended to secure connections with three (3) ½" (12 mm) metal screws.
2. Install the necessary chimney lengths to achieve the required offset. Lock the chimney lengths together according to the chimney manufacturer's instructions. In many cases, it is recommended to use three (3) ½" (12 mm) screws. If the offset length is made of two (2) chimney lengths or more, many chimney manufacturers may require that you use an offset or roof support halfway up the offset. If penetrating a wall, install a wall radiation shield supplied by the chimney manufacturer (see figures 45 & 46).
3. Use another elbow to turn the chimney vertically. Secure the elbow.
4. Use a plumb bob to line up the center of the hole. Cut a hole for the chimney in the ceiling/floor. Frame this hole as described previously.
5. From below, install a firestop supplied by the chimney manufacturer (see figure 44).
6. A support must be used on the first 15' section (4.6 m).
7. Continue with the regular installation.

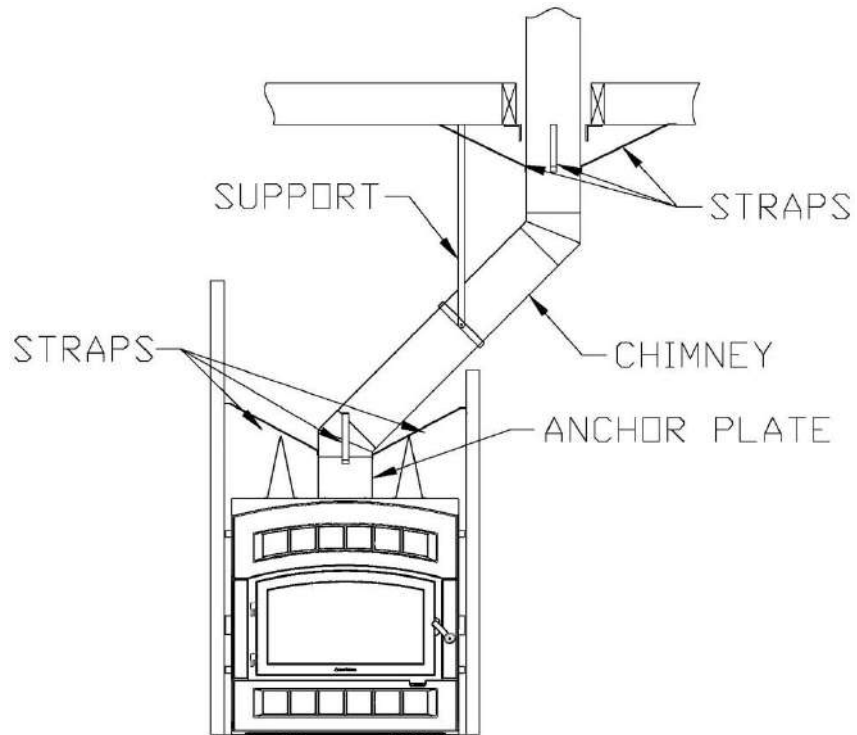


Figure 45

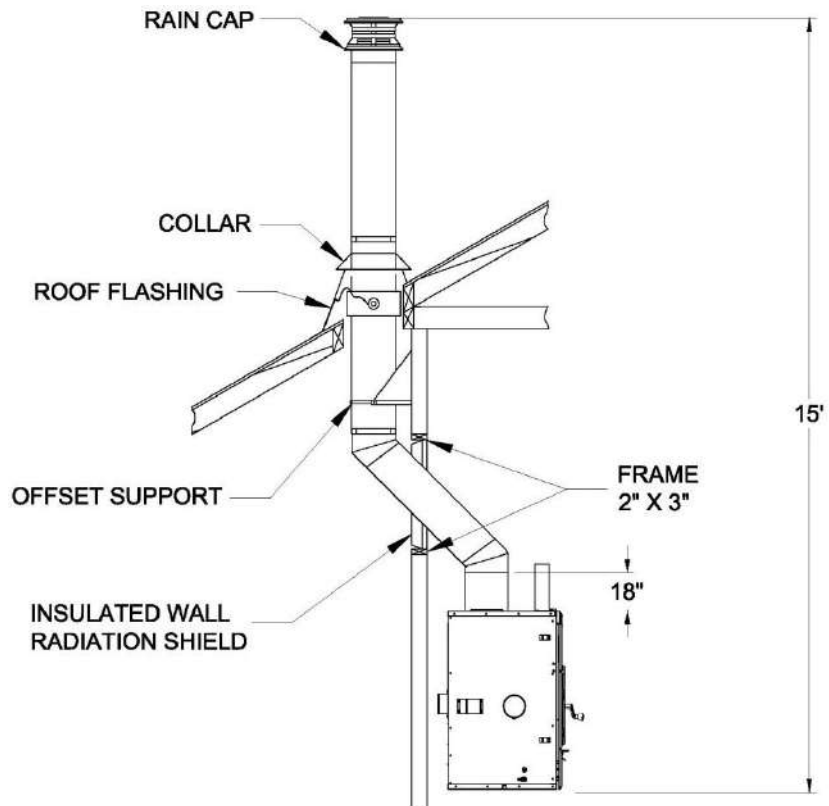


Figure 46

TABLE 2 - LISTED CHIMNEYS FOR YOUR FP 10

CHIMNEY MANUFACTURER	BRAND	TYPE	INNER DIAMETER
Selkirk	Ultra-Temp (UT)	1" Solid Pack	6" (15 cm)
Selkirk	Super Pro (SPR)	1" Solid Pack	6" (15 cm)
Selkirk	Super Vent (JSC)	1" Solid Pack	6" (15 cm)
Selkirk	Hart & Cooley (TLC)	1" Solid Pack	6" (15 cm)
Selkirk	Sure-Temp (ST)	1" Solid Pack	6" (15 cm)
Selkirk	CF Sentinel (CF)	2" Solid Pack	6" (15 cm)
Selkirk	Super Pro 2100 (ALT)	2" Solid Pack	6" (15 cm)
Selkirk	Super Vent 2100 (JM)	2" Solid Pack	6" (15 cm)
Selkirk	UltimateOne	1" Solid Pack	6" (15 cm)
Security Chimney	ASHT+	1" Solid Pack	6" (15 cm)
Security Chimney	S-2100 +	2" Solid Pack	6" (15 cm)
M&G DuraVent	Dura Tech	1" Solid Pack	6" (15 cm)
M&G DuraVent	Dura Tech Canada DTC	1" Solid Pack	6" (15 cm)
M&G DuraVent	Dura Plus HTC	2" Solid Pack	6" (15 cm)
M&G DuraVent	Dura Plus	AC Triple Wall	6" (15 cm)
ICC	Excel 2100	1" Solid Pack	6" (15 cm)
Metal Fab	Temp Guard	1" Solid Pack	6" (15 cm)
American Metal	HSS	AC Triple Wall	6" (15 cm)
American Metal	HS	AC Triple Wall	6" (15 cm)
Olympia Chimney	Ventis	1" Solid Pack	6" (15 cm)

* This fireplace may be installed with a 7-inch chimney of the same type as the ones listed in the above table, provided that a 6" to 7" insulated increaser (see figure 48, parts C and D), supplied by the chimney manufacturer, is installed for the transition between the 6-inch anchor plate(see figure 48 part A) which can be secured with screws (see figure 48 part B) and the 7-inch flue. For Security Chimneys, the part number is 6AW7.

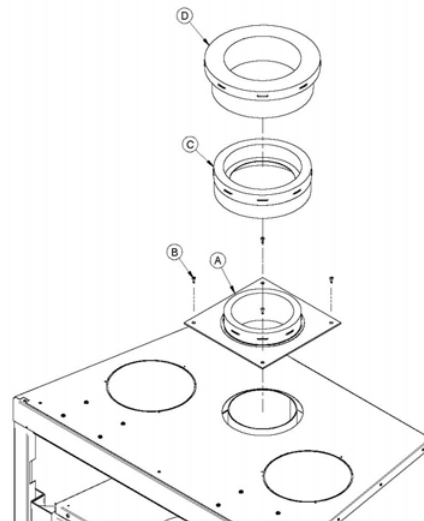


Figure 47

TABLE 3 – LIST OF MANDATORY COMPONENTS

CHIMNEY MANUFACTURER	MANDATORY COMPONENTS	TYPE/BRAND
Selkirk	Ventilated roof flashing. Must have rafter protectors at the roof level if the chimney is enclosed at the attic level (see section 4).	Ultra-Temp (UT), Super Pro (SPR), Super vent (JSC), Hart & Cooley (TLC), Sure- Temp (ST)
Security Chimney	Rafter protector at the roof level if chimney is enclosed at the attic level (see section 4). Requires insulated attic radiation shield unless chimney is enclosed at the attic level. Requires the use of a 6AW7 (Solid pack 1") adapter for a ASHT+ of 7". Requires the use of a 6AW7 and a 7UCA adapter for the S-2100 of 7".	1" Solid Pack: ASHT+, 2" Solid Pack : S-2100
Simpson Dura-Vent	Ventilated roof flashing. Rafter protector at the roof level chimney is enclosed at the attic level (see section 4).	1" Solid Pack : Dura Tech
ICC	Ventilated roof flashing. Rafter protector at the roof level if chimney is enclosed at the attic level (see section 4).	Excel 2100
American Metal	Chimney cannot be enclosed at the attic level.	AC Triple wall HS, AC Triple wall HSS

WARNING: YOU MUST ALWAYS START WITH AN ANCHOR PLATE OF 6" FROM YOUR FIREPLACE EVEN WHEN YOU USE A 7" CHIMNEY. IN THIS CASE, YOU SIMPLY HAVE TO FIX AN ADAPTER (PART NUMBER 6AW7 IN THE CASE OF AN ASHT+) TO YOUR ANCHOR PLATE TO USE YOUR 7" CHIMNEY. FOR THE S-2100 OF 7", AN ADDITIONNAL ADAPTER (PART NUMBER 7UCA) NEEDS TO BE FIXED TO THE 6AW7. SEE SECURITY CHIMNEY FOR MORE INFORMATION.

3.4 ANGLED WALL RADIATION SHIELD

When passing through a combustible wall with the chimney at a 30° or 45° angle (30° or 45° in Canada and 30° only in the USA), an angled firestop or wall radiation shield provided by the chimney manufacturer must be installed. Only one is required. Follow the chimney manufacturer's installation instructions.

In cold climate locations, it is recommended that you use the insulated wall radiation shield since it will maintain the home's thermal barrier.

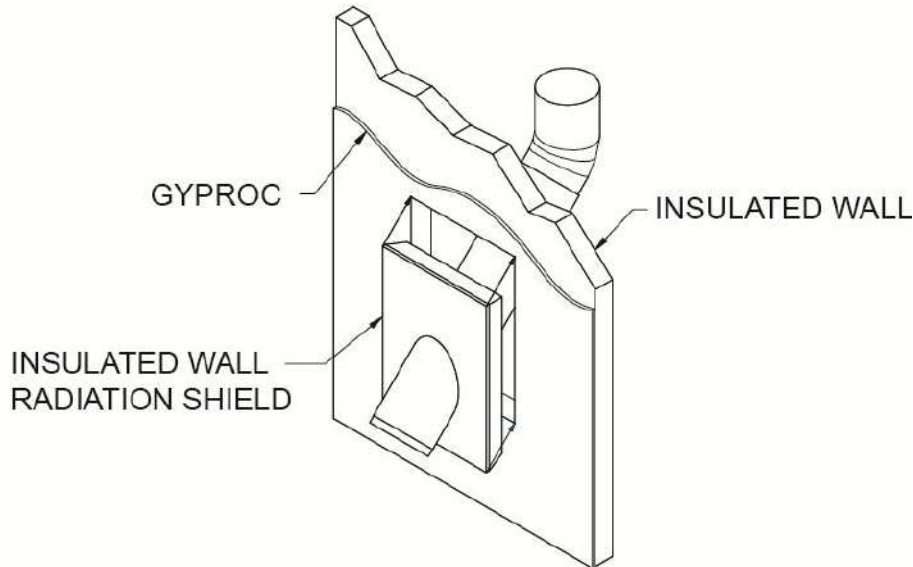


Figure 48

3.5 CHIMNEY SUPPORT INSTALLATION

Universal Roof Support

This support has three possible uses:

1. It must be used on a roof to support the chimney.
2. It may be used on a floor, ceiling or roof above an offset to support the chimney above the offset.
3. It may be used on a floor, ceiling or roof as a supplementary support.

For roof support installation, refer to the instructions provided with the support by the chimney manufacturer. Many manufacturers will provide the maximum height of chimney that can be supported by the support. Make sure you respect those parameters.

Universal Offset Support

This support is used to support the chimney above an offset. When the chimney offset is used to pass through a wall, this support may be used on the wall to support the chimney. For offset support installation, refer to the instructions provided with the support by the chimney manufacturer. Many manufacturers will provide the maximum height of chimney that can be supported by the support. Make sure you respect those parameters.

3.6 CHIMNEY CHASE AND MULTIPLE TERMINATIONS

For the purpose of this manual, a chimney chase is considered a part of the chimney system rather than part of a building.

For installations where more than one chimney is located in the same chase or within the same area, we suggest that their terminations be separated by at least 16" (410 mm) horizontally, and 18" (460 mm) vertically. This separation is to prevent smoke migrating from one chimney to another (see figure 49).

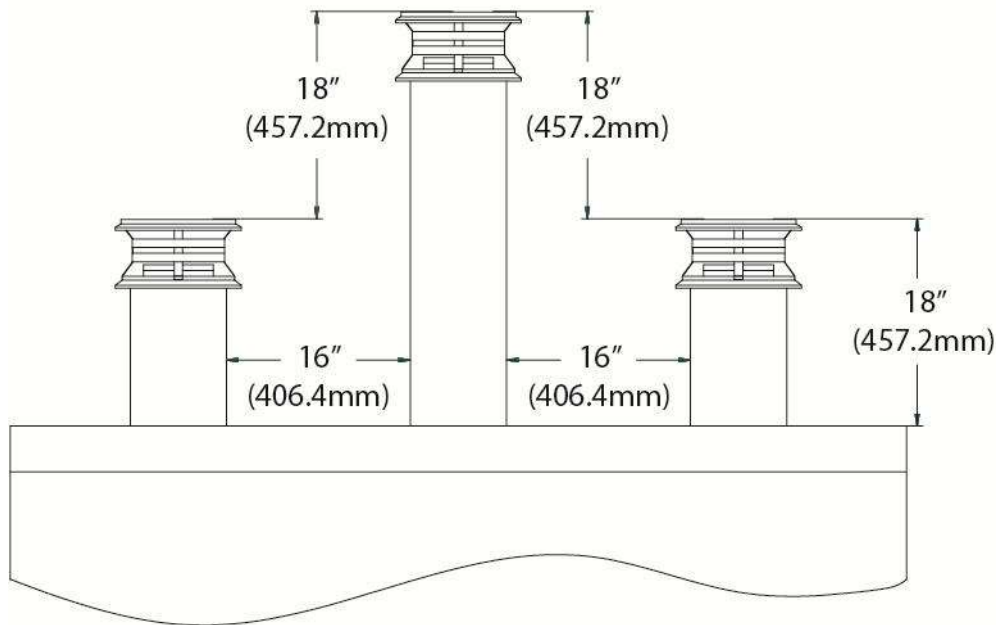


Figure 49

3.7 INSTALLATION INSTRUCTIONS FOR MASONRY APPLICATION

WARNING: Before starting the installation, the masonry chimney must be inspected by a qualified sweep.

The following requirements must be respected:

1. The chimney must be absolutely clear of any soot residue or creosote. Check for cracks, loose or missing bricks that could inhibit correct installation of the liner.
2. The clearance to combustible must be a minimum of 1" between the outside of the masonry and any wood framing or loose insulation.
3. The chimney must be built in accordance with the current building code.
4. No other appliance can be connected to the same chimney.

Installation:

The chimney must be relined with a stainless steel liner of the same diameter as the outlet of the fireplace. For connection at 30° or 45° angle, a special connector must be used to connect the liner to the insulated chimney. Verify availability and installation instructions for this connector with the chimney manufacturer.

Follow these steps:

1. Position the fireplace in its location. Temporarily install the elbow on the top of the fireplace and, using a level, mark with an oval the location where the flue liner will enter the masonry chimney.
2. In the middle of the oval, drill a hole in the masonry chimney at 45° or 30°.
3. Increase the size of the hole until a 45° or 30° liner elbow can be easily slipped through.
4. Slide the liner down from the top of the masonry chimney until you reach the hole level.
5. Slip through the hole a 45° or 30° liner elbow and connect it to the liner.
6. Add a small liner section to the liner elbow which will allow the liner to extend at least 12" (measured at the top of the liner) from the masonry chimney.
7. Seal the opening around the liner with high temperature refractory cement.
8. Then, follow the chimney manufacturer's instructions to connect the extended liner section to the special chimney connector.

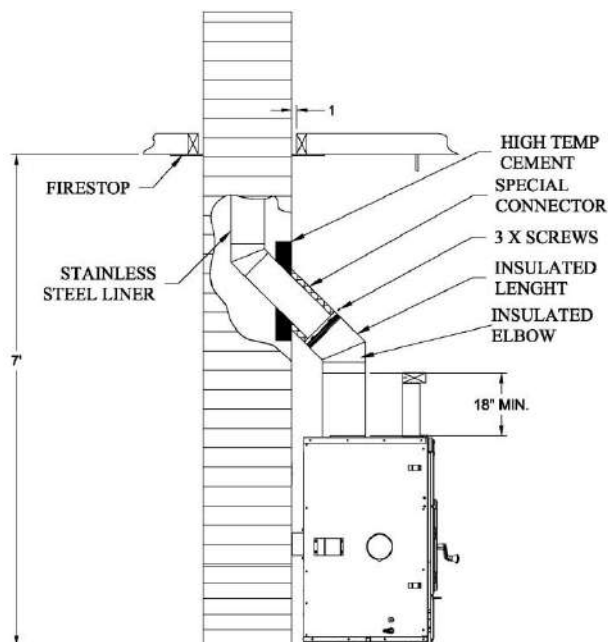


Figure 50

4. OPTIONS

Gravity Convection Air Kit:

94-99100

Includes: one deflector, two 90° elbows, and two outlet grilles and frames.

Forced Air Convection Kit:

94-57100

Includes: one blower, one 5" flex adapter, 3 pipe clamps, and one control box with heat sensor and PC Board.

Fire Screen:

94-69100

Includes: one rigid spark screen.

5. APPENDIX

5.1 SPECIFICATIONS

Fuel type	Dry cordwood	
Recommended heating area ^[1]	500 to 2,100 ft ² (46 to 195 m ²)	
Firebox volume	2.5 ft ³ (0.071 m ³)	
Maximum burn time ^[1]	9 h	
Maximum heat output ⁽²⁾ (dry cordwood)	75,000 BTU/h (22.0 kW)	
Overall heat output rate (min. to max.) ⁽²⁾⁽³⁾	11,500 BTU/h to 30,500 BTU/h (3.4 kW to 8.9 kW)	
Average overall efficiency ⁽³⁾ - EPA Cribs / Douglas Fir	55.0% (HHV ⁽⁴⁾)	60.0% (LHV ⁽⁵⁾)
Average overall efficiency ⁽³⁾ - Dry cordwood	To come% (HHV ⁽⁴⁾)	To come% (LHV ⁽⁵⁾)
Optimum efficiency ⁽²⁾⁽⁶⁾	75.0%	
Average particulate emissions rate ⁽⁷⁾	4.4 g/h (EPA / CSA B415.1-10)	
Average CO ⁽⁸⁾	To come	

^[1] Recommended heating area and maximum burn time may vary subject to location in home, chimney draft, heat loss factors, climate, fuel type and other variables. The recommended heated area for a given appliance is defined by the manufacturer as its capacity to maintain a minimum acceptable temperature in the designated area in case of a power failure.

⁽¹⁾ Values are as measured per test method, except for the recommended heating area, firebox volume, maximum burn time and maximum heat output.

⁽²⁾ The maximum heat output (dry cordwood) is based on a loading density varying between 15 lb/ft³ and 20 lb/ft³. Other performances are based on a fuel load prescribed by the standard. The specified loading density varies between 7 lb/ft³ and 12 lb/ft³. The moisture content is between 19% and 25%.

⁽³⁾ As measured per CSA B415.1-10 stack loss method.

⁽⁴⁾ Higher Heating Value of the fuel.

⁽⁵⁾ Lower Heating Value of the fuel.

⁽⁶⁾ Optimum overall efficiency at a specific burn rate (LHV).

⁽⁷⁾ This appliance is officially tested and certified by an independent agency.

⁽⁸⁾ Carbon monoxide.

Weight: 385 lbs Height: 37¼" (95 cm) Width: 36" (91 cm) Depth: 24¾" (63 cm)

**Why is the BTU indicated on the EPA label smaller than the one advertised?*

You will notice a difference between the BTU output as indicated on the unit's white EPA label affixed to the glass and the BTU as advertised on our web site and/or product literature. The maximum BTU output we advertise for this unit is what will be obtained with a full load of seasoned cordwood inserted inside the firebox. The EPA output, on the other

hand, is what has been obtained during emissions testing. The EPA test procedure requires that a special type of wood be used and positioned inside the firebox in a manner that does not represent the way the firebox volume would normally be utilized using seasoned cordwood. The EPA test load is typically much smaller. Hence, the BTU as per the EPA label is reduced. The BTU output that should be considered by a normal user is the one we advertise for seasoned cordwood.

5.2 CLEARANCES TO COMBUSTIBLE MATERIALS

The following clearances meet the minimum requirements for a safe installation.

Side wall:	24" (43 cm) measured from the inside door frame.
Side mantle:	3" minimum
Wall in front of fireplace:	48"
Ceiling:	80" (203 cm) measured from the base of the fireplace.
Fireplace enclosure:	Back wall: 0" Sides: 0" Floor (under the fireplace): 0" Non-combustible surround (top): Cement board (Durock) at 18" Non-combustible surrounds (sides): Cement board (Durock) at 4" Chimney: 2" (50 mm)
Combustible shelf :	58" (147 cm) measured from the base of the fireplace for a shelf with a depth of 6" or less. 64" (163 cm) measured from the base of the fireplace for a shelf with a depth of more than 12" (15 cm).

5.3 REPLACEMENT PARTS

Description	Part No.
Air tube (4) – front	5410-074
Air tube (3) – second from front	5410-073
Air tube (2) – third from front	5410-072
Air tube (1) – back	5410-071
C-cast baffle	3120-414
Top insulation (2 ½" thick)	3120-415
Door gasket	94-58106
Air control handle cap	5410-040

Description	Part No.
Rear bricks	3120-411
Left bricks	3120-412
Right bricks	3120-413
Bottom bricks	3120-410
Flue insulation collar	3120-416
Blowers	7211-941
Door glass kit	94-58100
Door latch kit	94-73100

5.4 THERMAL CHARACTERISTICS OF COMMON FLOOR PROTECTION MATERIALS*

Material	Conductivity (k) per inch	Resistance (R) per inch thickness
Micore® 160	0.39	2.54
Micore® 300	0.49	2.06
Durock®	1.92	0.52
Hardibacker®	1.95	0.51
Hardibacker® 500	2.3	0.44
Wonderboard®	3.23	0.31
Cement mortar	5.00	0.2
Common brick	5.00	0.2
Face brick	9.00	0.11
Marble	14.3 - 20.00	0.07 -
Ceramic tile	12.5	0.008
Concrete	1.050	0.950
Mineral wool insulation	0.320	3.120
Limestone	6.5	0.153
Ceramic board (Fibermax)	0.450	2.2
Horizontal still air** (1.8")	0.135	0.920**

* Information as reported by manufacturers and other resources

** For a 1/8" thickness. You cannot «stack» horizontal still air to accumulate R-values; you must separate each later of horizontal still air with another noncombustible material.

Safety Rating Label



LISTED FACTORY BUILT FIREPLACE
FOYER PRÉFABRIQUÉ HOMOLOGUÉ

MODEL / MODÈLE:
WFP75 FIREBOX

Serial Number / No. de Série: **1**

FOR USE WITH WOOD ONLY / POUR UTILISATION AVEC BOIS SEULEMENT
CONTACT LOCAL BUILDING OFFICIALS ABOUT THE RESTRICTIONS AND INSTALLATION INSPECTION IN YOUR AREA.
COMMUNIQUER AVEC LES AUTORITÉS LOCALES DU BÂTIMENT ET DE LA PRÉVENTION DES INCENDIES AU SUJET DES RESTRICTIONS D'INSTALLATION DANS VOTRE SECTEUR.

INSTALL AND USE ONLY IN ACCORDANCE WITH HEARTHSTONE INSTALLATION AND OPERATION INSTRUCTIONS.
L'INSTALLATION ET L'OPERATION DOIT SE FAIRE SELON LES INSTRUCTIONS D'INSTALLATION ET D'UTILISATION DE HEARTHSTONE.

PREVENT HOUSE FIRES

- Use solid wood fuel only.
- For safety, keep doors tightly closed or firescreen closed.
- Do not overfire unit.
- Replace with only ceramic glass 5mm thick.
- Use only with listed factory-built chimney as per manufacturer's instructions.
- A non-combustible hearth extension must be installed in front of unit extending 18 in (460 mm) in front and 8 in (205 mm) on each side of door opening.
- Do not use a fireplace insert or other products not specified for use with this product.
- Hearth extension must have a minimum R factor of 1.00. No minimum R factor is required if fireplace is elevated by at least 4 in. (105 mm).
- WARNING: This fireplace has not been tested with an unvented gas log set. To reduce risk of fire or injury, do not install an unvented gas log set into fireplace.
- Areas of the fireplace incorporating warm or cold air ducts shall be enclosed in accordance with manufacturer's instructions.
- For more information, refer to owner's manual.

PRÉVENEZ LES INCENDIES

- Utiliser du combustible à base de bois seulement.
- Pour votre sécurité, maintenir les portes fermées de façon étanche ou le pare-étincelle en place.
- Ne pas surchauffer le foyer.
- Remplacer la vitre seulement avec un verre céramique de 5mm d'épaisseur.
- Pour utilisation seulement avec une cheminée préfabriquée homologuée tel que spécifié selon les instructions du manufacturier.
- Une protection de plancher incombustible doit être installée à l'avant du foyer s'étendant de 18 po (460 mm) à l'avant et 8 po (205 mm) de chaque côté de l'ouverture de porte.
- Ne pas utiliser de foyer encastrable ou autres produits qui ne sont pas conçus précisément pour être utilisés avec le présent foyer.
- La protection à l'avant du foyer doit avoir un facteur R minimum de 1.00. Aucun facteur R n'est requis si le foyer est surélevé d'au moins 4 po. (105 mm).
- ATTENTION: Ce foyer n'a pas été testé à l'essai avec un ensemble de bûches décoratives à gaz non ventilé. Pour réduire les risques de feu ou de blessures, ne pas installer d'ensemble de bûches décoratives à gaz non ventilé dans ce foyer.
- Les zones du foyer intégrant des conduits d'air chaud ou froid doivent être installées en accord avec les instructions du manufacturier.
- Pour de plus amples renseignements, référez-vous au manuel d'instructions.

MINIMUM CLEARANCES TO COMBUSTIBLE MATERIALS / DÉGAGEMENTS MINIMUM AUX MATÉRIEAUX COMBUSTIBLES

Sidewall / Mur latéral [1]:	24 in (610 mm)	Back Wall / Mur arrière:	0 in (0 mm)
Combustible shelf (from floor) / Tablette combustible (du sol) [2][3]:	58 in (1475 mm)	Side Facing / Facement latéral [2]:	4 in (105 mm)
		Ceiling (from floor) / Plafond (à partir du plancher) [1]:	84 in. (2135 mm)

[1] From door opening. / À partir de l'ouverture de la porte.
[2] Subject to a maximum protrusion (consult owner's manual). / Sujet à une saillie maximale (consultez le manuel d'instructions).
[3] If the fireplace is elevated, the clearances to the combustible shelf and ceiling must be increased by an equivalent value. / Si le foyer est surélevé, les dégagements à la tablette combustible et au plafond doivent être augmentés d'une valeur équivalente.

Blower / Ventilateur: (115V, 0.8A, 60Hz)

PROCEDURE TO FOLLOW IN CASE OF RUN-AWAY FIRE

- 1) Keep doors closed
- 2) Close all combustion air controls

EN CAS D'INCENDIE DE CHEMINÉE

- 1) Maintenir les portes fermées
- 2) Fermer tous les dispositifs d'admission d'air

U.S. ENVIRONMENTAL PROTECTION AGENCY (EPA).
CERTIFIED TO COMPLY WITH JULY, 1990 PARTICULATE EMISSION STANDARDS, PHASE II.
AGENCE DE PROTECTION DE L'ENVIRONNEMENT DES É.U. (EPA).
CONFORME AUX STANDARDS D'ÉMISSIONS DE PARTICULES DE JUILLET 1990, PHASE II.

CAUTION

- HOT WHILE IN OPERATION.
- DO NOT TOUCH. KEEP CHILDREN, CLOTHING AND FURNITURE AWAY.
- CONTACT MAY CAUSE SKIN BURNS. SEE NAME-PLATE AND INSTRUCTIONS.
- THIS FIREPLACE NEEDS AIR FOR GOOD OPERATION.
- WHEN A FIRE IS BURNING IN THE FIREPLACE, FRESH AIR MUST BE SUPPLIED TO THE ROOM WHERE THE FIREPLACE IS LOCATED, FAILURE TO PROVIDE THIS MAY STARVE OTHER FUEL BURNING APPLIANCE FROM AN ADEQUATE AIR SUPPLY.

ATTENTION

- CHAUD EN FONCTIONNEMENT.
- NE PAS TOUCHER. GARDER LES ENFANTS, LES VÊTEMENTS ET LES MEUBLES ÉLOIGNÉS.
- UN CONTACT AVEC LA PEAU PEUT OCCASIONNER DES BRÛLURES. VOIR LES INSTRUCTIONS.
- CE FOYER A BESOIN D'AIR POUR SON BON FONCTIONNEMENT.
- LORSQUE LE FOYER BRÛLE, UN APPORT D'AIR SUPPLÉMENTAIRE DOIT ÊTRE PRÉVU DANS LA PIÈCE, UN MANQUE D'AIR D'APPOINT POURRAIT PRIVER LES AUTRES APPAREILS DE COMBUSTION D'UNE ALIMENTATION D'AIR ADÉQUATE.

Made in Canada
08/05/2012 (# 666666)



Fabriqué au Canada
08/05/2012 (# 666666)
27427

HEARTHSTONE LIMITED LIFETIME WARRANTY

The warranty of the manufacturer extends only to the original consumer purchaser and is not transferable. This warranty covers brand new products only, which have not been altered, modified nor repaired since shipment from factory. Products covered under this warranty must have been manufactured after the revision date indicated below. Proof of purchase (dated bill of sale), model name and serial number must be supplied when making any warranty claim to your HearthStone dealer.

This warranty applies to normal residential use only. Damages caused by misuse, abuse, improper installation, lack of maintenance, over firing, negligence or accident during transportation, power failures, downdrafts, or venting problems are not covered by this warranty.

This warranty does not cover any scratch, corrosion, distortion, or discoloration. Any defect or damage caused by the use of unauthorized parts or others than original parts void this warranty. An authorized qualified technician must perform the installation in accordance with the instructions supplied with this product and all local and national building codes. Any service call related to an improper installation is not covered by this warranty.

The manufacturer may require that defective products be returned or that digital pictures be provided to support the claim. Returned products are to be shipped prepaid to the manufacturer for investigation. If a product is found to be defective, the manufacturer will repair or replace such defect. Transportation fees to ship the product back to the purchaser will be paid by the manufacturer. Repair work covered by the warranty, executed at the purchaser's domicile by an authorized qualified technician requires the prior approval of the manufacturer. Labor cost and repair work to the account of the manufacturer are based on predetermined rate schedule and must not exceed the wholesale price of the replacement part. All parts and labor costs covered by this warranty are limited according to the table below.

The manufacturer at its discretion may decide to repair or replace any part or unit after inspection and investigation of the defect. The manufacturer may, at its discretion, fully discharge all obligations with respect to this warranty by refunding the wholesale price of any warranted but defective parts. The manufacturer shall in no event be responsible for any special, indirect, consequential damages of any nature, which are in excess of the original purchase price of the product. A one-time replacement limit applies to all parts benefiting from a lifetime coverage. This warranty applies to products purchased after October 1st, 2011.

Description	Warranty Application	
	Parts	Labor
Combustion chamber (welds only), castings, convector air-mate, ceramic glass (thermal breakage only*), and secondary air tubes*.	Lifetime	4 years
Stainless steel firebox components, surrounds and heat shields, ash drawer, steel legs, pedestal, trims (aluminum extrusions), C-Cast baffle*, and vermiculite baffle*.	5 years	3 years
Carbon steel firebox components, glass retainers, and handle assembly.	3 years	2 years
Blowers, heat sensors, switches, rheostat, wiring, and other controls.	2 years	1 year
Paint (peeling), gaskets, insulation, firebrick, and ceramic fibre blankets.	1 year	n/a

*Pictures required

Shall your unit or a components be defective, contact immediately your HearthStone dealer. Prior to your call make sure you have the following information necessary to your warranty claim treatment:

- Your name, address and telephone number;
- Bill of sale and dealer's name;
- Serial number and model name as indicated on the nameplate fixed to the back of your unit;
- Nature of the defect and any relevant information.

Before shipping your unit or defective component to our plant, you must obtain from your HearthStone dealer an Authorization Number. Any merchandise shipped to our plant without authorization will be refused automatically and returned to sender.