

# Masoneilan, A Century of Proven Control Valve Performance



ENGINEERED  
PRODUCTS  
& SERVICES

**E.P.&S.**



**Distributor in Western and Central Africa**

for BHGE Masoneilan™, Consolidated™, Mooney Regulator™, Becker Control Valves™  
and Bently Nevada™

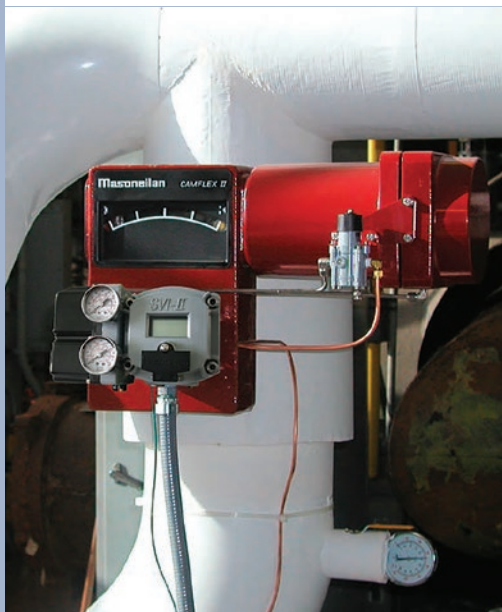
**BAKER  
HUGHES**  
a GE company



# Masoneilan™ 35002 Series Camflex® II

## Features, Options and Maintenance

**BAKER  
HUGHES**  
a GE company



**Sizes:** 1" through 16"  
(25 through 400 mm)

### Ratings and Connections:

- Flanged: ANSI 150 - 600
- Flangeless: ANSI 150 - 600  
UNI-DIN 10 - 100
- Screwed: NPT (1" through 2")

### Body Materials:

- Carbon steel
- Stainless steel
- High nickel alloy

### Actuators:

- Model 35 spring diaphragm
- 70 Series cylinder

### Trim:

- Eccentric rotary plug

### Inherent Characteristic:

- Linear

### Typical Applications:

- Low pressure heaters drain
- Ventilation system

### Your distributor:



ventes@fr-eps.com - [www.fr-eps.com](http://www.fr-eps.com)

## Options

### STEAM JACKET

Steam jacket is provided to keep process fluid at the right temperature to avoid crystallization or solidification of the fluid inside the body.

- Available in sizes 1" to 10"
- Class: 150 - 300; ISO PN 50
- Material: A216WCC, A351CF3M
- Temp range: as for reheating fluid  
16 barg @ 150°C or 12 barg @ 250°C

### FLASHING APPLICATION

Body and flange gasket is protected from erosion by a long seat ring retainer / special seat.

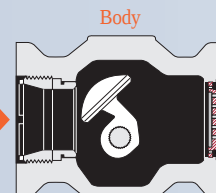
- Available in sizes 1" to 12"
- Class: 150 - 600
- Material: A216WCC; A351CF3M
- Temp range: as per standard construction

### NOISE ATTENUATION

- Differential Velocity Device (DVD)
- One solid piece
- Threaded into body within outlet flange
- Used flow-to-open only
- Available in sizes 1" thru 12"
- Good for gas or steam service
- Noise performance is Excellent  
(up to 20 dBA reduction)



DVD Noise  
Reduction Trim



Differential Velocity Device (DVD)



As the original eccentric plug rotary valve, the **35002 Series Camflex** valve combines quality performance and features with an economical design. The Camflex valve offers versatility and broad application. It is now supplied with the EF seal solution to reduce fugitive emissions.

### BREWERY /DRINKING SERVICE

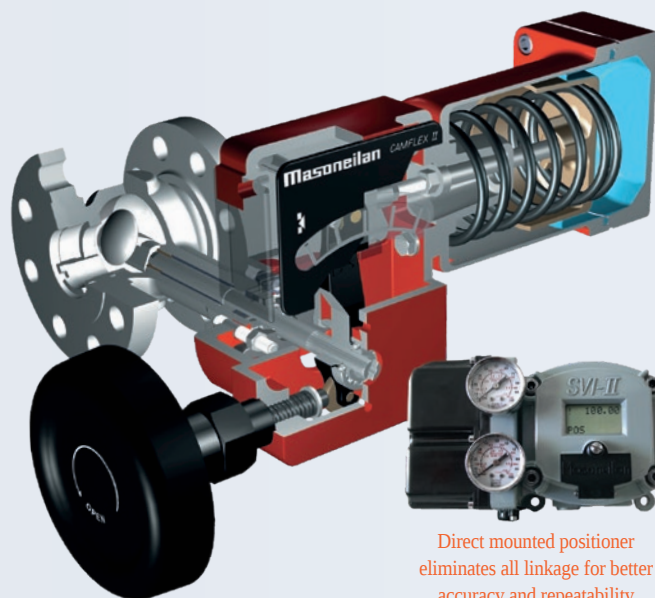
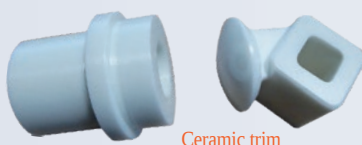
Designed to be used on beer application with specific flushing connection at the lower guide. Its uses o-rings at the upper and lower bushings. This design prevent any stagnation of liquid at the o-rings area.

- Available in sizes 1.5" to 3"
- Class: 150 - 300
- Material: A351CF3M
- Temp range: as per standard construction

### EROSIVE APPLICATION

Reduced trim suitable for erosive applications, seat and plug are made from stellite 12, tungsten carbide or ceramic. Seat ring retainer and body are protected from erosion by a special seat.

- Available in sizes 1.5" to 6"
- Class: 150 - 600
- Material: A351CF8M; A351CF3M
- Temp range: stellite trim @ 400°C



Direct mounted positioner eliminates all linkage for better accuracy and repeatability

## Maintenance - Spares parts optimisation for the 35002 Series Camflex® II

Fewer parts reduce probability of failure, lower spare parts inventory costs and simplified maintenance reduces life-cycle costs

- Stellite or Hardfaced plugs standard
- Hardfaced seat rings/retainers available for erosive applications
- Fewer Gaskets= Fewer Potential Leak Paths
- Reducing the capacity of a Camflex Rotary Globe Valve is as easy as changing the seat ring.
- No need to change the plug, cage or other expensive parts



### E.P.&S. has tailored 2 repair kits for the Camflex Valve:

Valve Serial Number	Tag Number	Valve Type Details	Part Number	Description	E.P.&S. Kit Reference
20-00178-001-1	6TV 51207 /MODULE P52	35-35112 CV54+SVI2 3" 150 RF	00035003104-0000	PLUG 3" CAMFLEX	<b>Trim Repair Kit:</b> TK35-35112 - 20-00178-001-1
			00435003163-0000	SEAT RING 3" CAMFLEX FACT.0.4	
			00005675794-0000	1 X 1/5/8 X 5/16 PACKING	<b>Soft Good Kit:</b> XX35-35112 - 20-00178-001-1
			00435003220-0000	BEARING	
			009718860206-000	O-RING	
			00971886697-0000	O-RING	
			00035106716-0000	DIAPHRAGM	

# Masoneilan™ 35002 Series Camflex® II

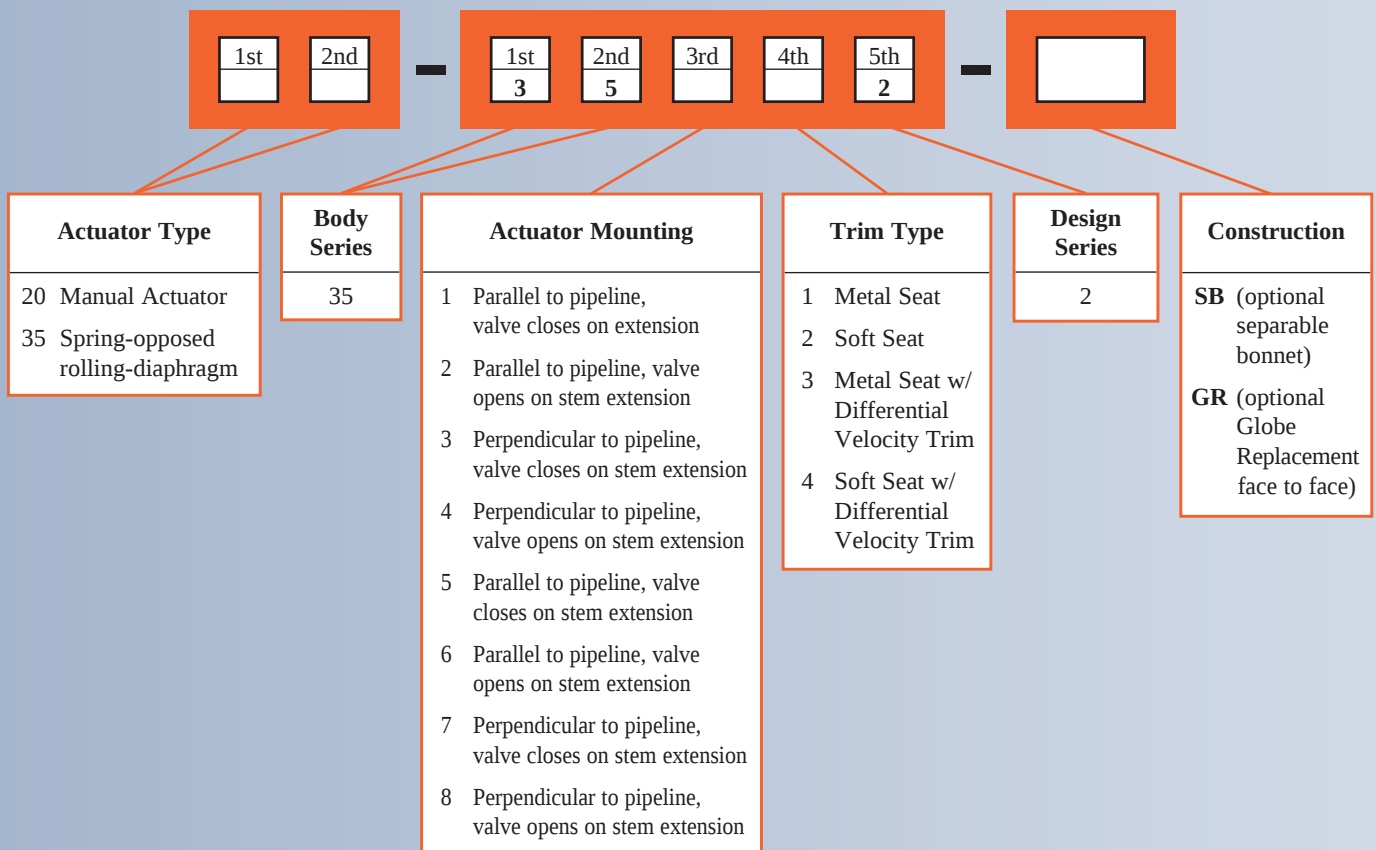
## *C<sub>V</sub> and F<sub>L</sub> Data, Numbering System*

### MAXIMUM RATED FLOW COEFFICIENTS (C<sub>V</sub>) AND CRITICAL FLOW FACTORS (F<sub>L</sub>) AT MAXIMUM OPENING (50°)

Valve Size		Factor	Flow to Open		Flow to Close	
inches	DN		Rated C <sub>V</sub>	F <sub>L</sub>	Rated C <sub>V</sub>	F <sub>L</sub>
1	25	0.036	.5	0.98	.5	0.86
		40	1	0.98	1	0.86
		50	2.8	0.88	3	0.7
		80	5.6	0.88	6	0.7
		0.6	8.4	0.88	9	0.7
		1	14	0.85	15	0.68
		DVD	5			
1.5	40	0.4	13.2	0.88	15.6	0.7
		0.6	19.8	0.88	23.4	0.7
		1	33	0.85	39	0.68
		DVD	12.5			
2	50	0.4	20	0.88	21.2	0.7
		0.6	30	0.88	31.8	0.7
		1	50	0.85	53	0.68
		DVD	18			
3	80	0.4	54	0.88	58	0.7
		0.6	81	0.88	87	0.7
		1	135	0.85	145	0.68
		DVD	48			

Valve Size		Factor	Flow to Open		Flow to Close	
inches	DN		Rated C <sub>V</sub>	F <sub>L</sub>	Rated C <sub>V</sub>	F <sub>L</sub>
4	100	0.4	92	0.88	92	0.7
		0.6	138	0.88	138	0.7
		1	230	0.85	230	0.68
		DVD	78			
6	150	0.4	200	0.88	200	0.7
		0.6	300	0.88	300	0.7
		1	500	0.85	500	0.68
		DVD	181			
8	200	0.4	340	0.88	340	0.7
		0.6	510	0.88	510	0.7
		1	850	0.85	850	0.68
		DVD	308			
10	250	0.4	520	0.88	520	0.7
		0.6	780	0.88	780	0.7
		1	1300	0.85	1300	0.68
		DVD	486			
12	300	0.4	700	0.88	700	0.7
		0.6	1050	0.88	1050	0.7
		1	1750	0.85	1750	0.68
		DVD	684			

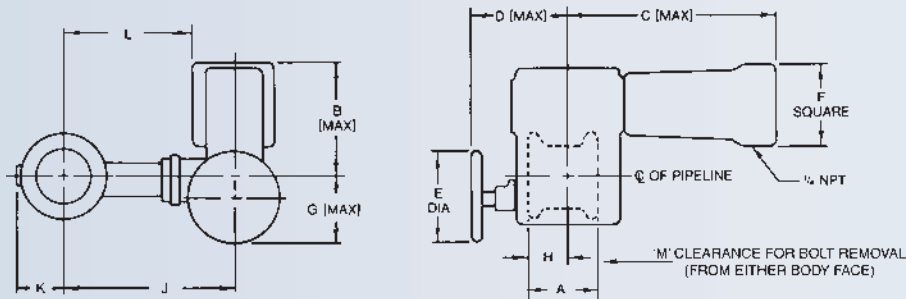
### NUMBERING SYSTEM



# Masoneilan™ 35002 Series Camflex® II

## Dimensions and new GR Series

### DIMENSIONS (mm)



### Specific Dimensions (mm) for the No. 9 Actuator

Valve size		B	C	D	E	F	G	L
in.	DN							
6	150	373	674	306	400	304	213	280
8	200	376	674	306	400	304	216	318
10	250	379	674	306	400	304	219	422
12	300	382	674	306	400	304	222	457

Valve Size	A						B	C	D	E	F	G	H					J	K	L	M			
	In.	DN	Threaded ends	Flanged and Flange-less	GR Flanged Class 150	GR Flanged Class 300							GR Flanged Class 600	Threaded ends	Flange-less	Flanged	GR Flanged Class 150				GR Flanged Class 300	GR Flanged Class 600	ANSI Class 150 PN 10	ANSI Class 300 PN 16
1	25	102	102	184	197	210	168	302	256	140	140	109	67	67	51	133	140	155	204	38	134	205	229	229
1/2	40	137	114	222	235	251	168	302	256	140	140	109	84	62	59	171	178	194	232	51	162	205	254	254
2	50	146	124	254	267	286	168	302	256	140	140	109	84	62	63	198	205	224	237	65	167	267	267	267
3	80		165	298	318	337	249	436	269	175	175	122		97	86	228	238	257	327	84	239	300	343	343
4	100		194	352	368	394	249	436	269	175	175	122		106	106	176	184	197	349	108	262	330	343	406
6	150		229	451	473	508	313	527	307	219	219	200		127	127	226	237	254	429	146	320	394	470	470
8	200		243				313	527	307	219	219	200		148	138				467	203	358	394	470	533
10	250		297				313	527	307	219	219	200		167	167				569	250	460	460	530	595
12	300		338				313	527	307	219	219	200		184	184				604	275	495	505	575	648

Need to replace or upgrade your reciprocating valves?  
Choose the new Masoneilan Camflex® GR Universal Control Valve, the best performing control valve on the market.

### NEW CAMFLEX® GR (GLOBE REPLACEMENT)

- A direct replacement for a globe valve but with the advantages of a Camflex
- Face to Face allows for drop in replacement on Competitors reciprocating valves

### KEY POINTS

- **Reliability** (over 1.2M installed)
- **Parts Simplification:** same plug & actuator across sizes
- No sliding stem means **less Friction**, simpler packing
- Less gasketed joints = **less chance for environmental issues**
- Direct Positioner mounting **eliminates complex linkages**
- Easier to install/remove: ½ the **weight** of a reciprocating valve
- Eccentric rotating, self aligning plug provides reliable shutoff: **less leaks and more reliability**
- **Double the turndown or C<sub>v</sub> ratio** of conventional globe valves

Size	Material	End Flange	Class
1"	CS, SS	ASME RF Flanged	150/300/600
1.5"	CS, SS	ASME RF Flanged	150/300/600
2"	CS, SS	ASME RF Flanged	150/300/600
3"	CS, SS	ASME RF Flanged	150/300/600
4"	CS, SS	ASME RF Flanged	150/300/600
6"	CS, SS	ASME RF Flanged	150/300/600



Your distributor:

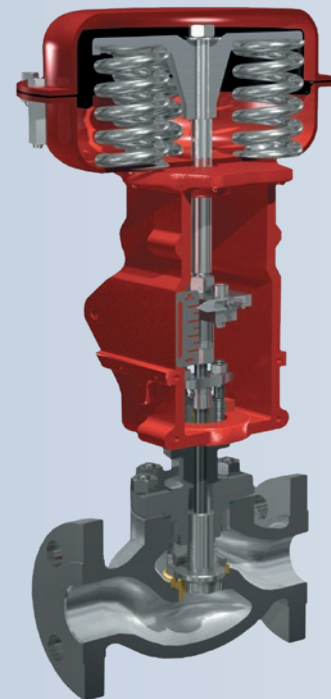
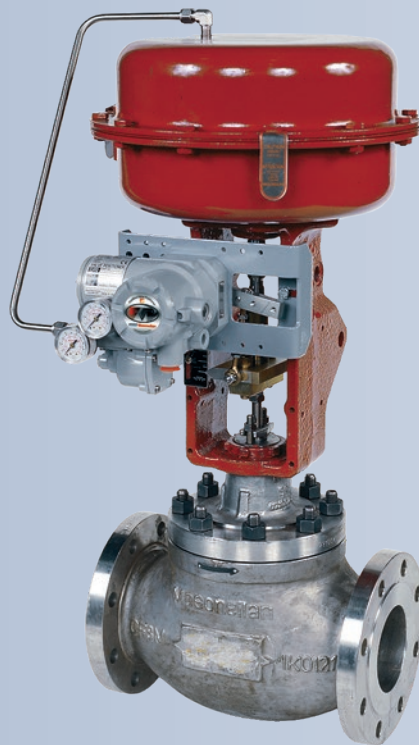
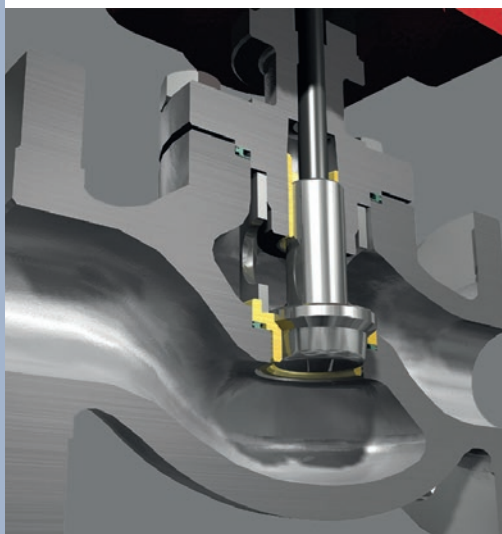


ventes@fr-eps.com - [www.fr-eps.com](http://www.fr-eps.com)

# Masoneilan™ 21000 Series

## Features, Options and Maintenance

**BAKER  
HUGHES**  
a GE company



**Sizes:** 3/4" through 8"  
(20 through 200 mm)

**Ratings and Connections:**

- Flanged: ANSI 150 - 2500  
UNI-DIN 10 - 400
- Welded: BW or SW
- Screwed: NPT 3/4" through 2"  
(20 through 50 mm)

**Body Materials:**

- Carbon steel
- Stainless steel
- Chrome-molybdenum steel

**Actuators:**

- Model 87/88 multi-spring diaphragm
- Cylinder
- Electric

**Trims:**

- Single seat plug top guided.
- Lo-dB and anti-cavitation trims, single or double stage are available
- Bellow seal

**Inherent Characteristic:**

- Linear, equal percentage, modified equal percentage

**Typical Applications:**

- Low pressure heater drain
- Effluent treatment
- Gland steam system turbine

**Your distributor:**



ventes@fr-eps.com - [www.fr-eps.com](http://www.fr-eps.com)

## Options

### STEAM JACKET

Steam jacket is provided to keep process fluid at the right temperature to avoid crystallization or solidification of the fluid inside the body. Steam jacket can be made either from carbon steel or stainless steel.

- Available in sizes 1" to 8"
- Class: 150 - 600
- Material: A216WCC; A351CF8M
- Temp range: as per standard construction

### HIGHER TEMPERATURE DESIGN 700°C+

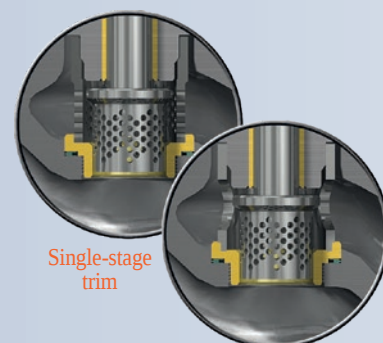
This specific design with integral seat and extended bonnet has been developed for a very high temperature (700°C and 100 barg).

- Available in sizes 1" to 8"
- Class: 150 - 2500
- Material: A351CF10M; Inconel 625
- Temp range: 700°C

### CLOSE CLEARANCE TRIM C<sub>v</sub> < 1.7 EQUAL-PERCENTAGE

For low applications when conditions exceed Varipak capabilities or when electrical actuator is requested.

- Available in sizes 1" to 2"
- Class: 150 - 2500
- Material: A216WCC; A351CF8M
- Temp range: as per standard construction



Single-stage trim

Double-stage trim



The **21000 Series control valve** is a heavy top-guided unbalanced design with noise attenuation and anti-cavitation trim options. It can handle a variety of process applications ranging from standard service conditions to more severe applications. It also includes standard bellows seal and soft seat configurations.

**MODEL 87/88,  
SPRING DIAPHRAGM ACTUATOR**

- Compact Multi-Spring Design
- Reduces Stem-Side Loading
- Field-Reversible Construction

**HEAVY TOP GUIDING**

- Larger Post Guide Area for Increased Stability
- Positioned Outside of Direct Fluid Flow Path
- Offers More Reliable Control Performance

**VARIOUS TRIM OPTIONS**

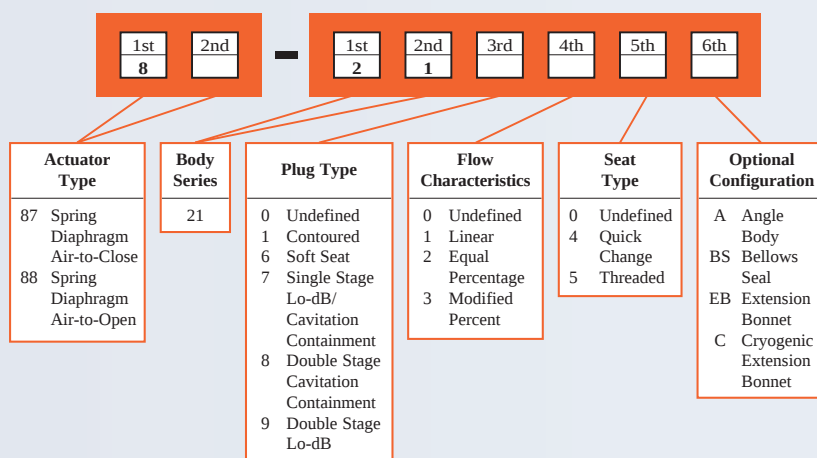
- Single- and Double-Stage Low Noise and Anti-Cavitation Trim
- Standard Hardened Trim (Stellited or Equivalent)
- Quick-Change or Threaded Seat Rings
- Reduced Capacities and Low-Flow Trims
- Equal Percentage and Linear Characteristics
- UOP Lockhopper Trim
- Soft-Seat Design

**DESIGN FLEXIBILITY**

- Multiple End Connections
- Angle Body Configuration
- Piston Actuation Option
- Extension Bonnets
- Cryogenic Configuration
- Low-Emissions Packing

- Reduced Noise Levels
- Extended Life Cycle
- Lower Costs
- Clean Air Compliance
- Hazardous Emissions Control
- Low Temperature Operation
- Improved Process Yields

**NUMBERING SYSTEM**



**RATINGS / CONNECTIONS\***

Valve Size inch mm	ASME Class 150 (PN 20)					ASME Class 300 (PN 50)					ASME Class 600 (PN 100)					ASME Class 900 (PN 150)					ASME Class 1500 (PN 250)					ASME Class 2500 (PN 420)				
	RF	SW	THD	RTJ	BW	RF	SW	THD	RTJ	BW	RF	SW	THD	RTJ	BW	RF	SW	THD	RTJ	BW	RF	SW	THD	RTJ	BW	RF	SW	THD	RTJ	BW
0.75 20	x	x	x			x	x	x	x		x	x	x	x		x	x		x		x	x		x	x		x			
1 25	x	x	x			x	x	x	x		x	x	x	x		x	x		x		x	x		x	x		x			
1.5 40	x	x	x			x	x	x	x		x	x	x	x		x	x		x		x	x		x	x		x			
2 50	x	x	x			x	x	x	x	x	x	x	x	x	x	x	x		x	x	x	x		x	x		x	x		
3 80						x	x			x	x	x			x	x	x		x	x	x			x	x					
4 100	x					x	x			x	x	x			x	x	x		x	x	x			x	x					
6 150	x					x	x			x	x	x			x	x														
8 200	x					x	x			x	x	x			x	x														

RF: Raised Face, SW: Socket Weld, THD: Threaded flange, RTJ: Ring-Type Joint, BW: Butt Weld - \* Standard flange of Ra 125-250. Other flange facings and surface finishes available.

*Maintenance - E.P.&S. has tailored 3 kits for the 21000 Series*

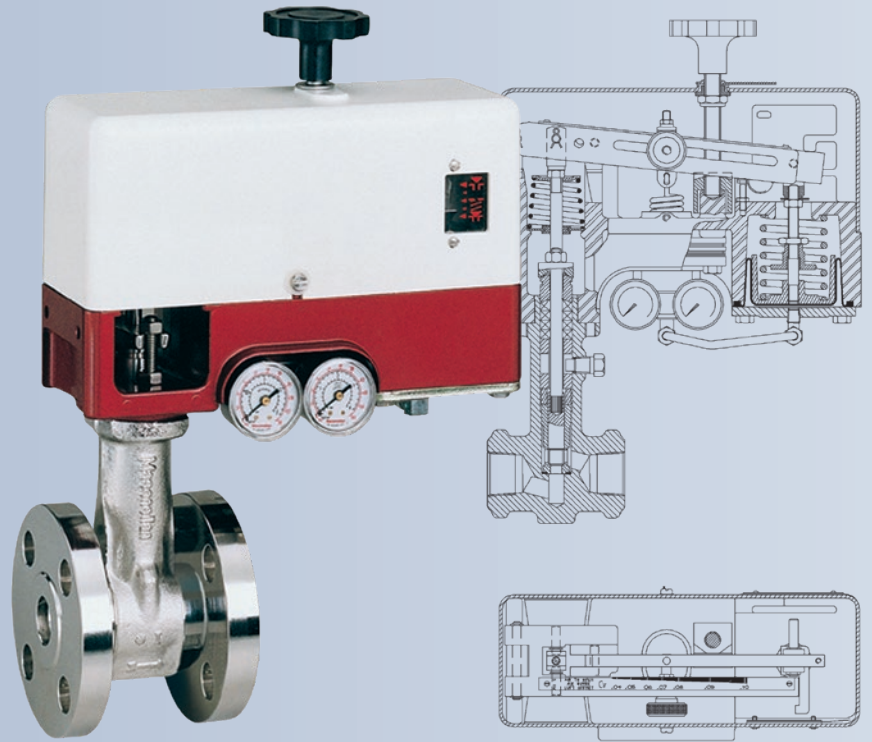
Our spares parts are divided in 3 kits, *Trim Kit, Gaskets & Packings Kit and Actuators Soft Good Repair Kit:*

Valve Serial Number	Tag Number	Valve Type Details	Part Number	Description	E.P.&S. Kit Reference	
23279-1	LCV3110	88-21114 2"600 RF CV 13	021001296-596	PLUG 21K 1.5-2 CV 15 ANTI-CAV VLV	<b>Trim Repair Kit:</b> TK88-21114 - 237279-1	
			010168390-163	PLUG STEM 1/2" X 1/2"		
			971342015-152	GROOVE PIN		
			021001362-587	SEAT RNG 21K 2" CV 25 LODB		
			010110003-567	BUSHING 21 K 3/4"-2"		
			021001413-163	CAGE 21K 1.5" 316 SS		
			971342015-163	PLUG STEM PIN		
			05675809-919-0000	PACKING CARBON CORE BRAIDED PTFE 22.2		<b>Gaskets &amp; Packings Kit:</b> XX88-21114 - 237279-1
			021000520-999	3/4"-2" 8-NOLT DESIGN 21K GASKETS KIT CL#150-600		
			010102002-153	PACKING FOLLOWER		
			720050175-999-0000	ACTUATOR SPARE PARTS KIT 87/88 Size 6 Standard Temp. -30 to 83 Degree C	<b>Actuator Soft Good Repair Kit:</b> ACT 87/88 - 6"	

# Masoneilan™ 28000 Series Varipak®

## Features and Maintenance

**BAKER  
HUGHES**  
a GE company



**Sizes:** 1" (25 mm) standard  
1/2" through 3/4"  
(15 through 20 mm)  
available on request

**Ratings and Connections:**

- Flanged: ANSI 150 - 600
- Flangeless for mounting between  
Flanges: ANSI 150 - 2500  
UNI-DIN 10 - 400
- Welded

**Body Materials:**

- Stainless steel
- Monel
- Hastelloy C
- Alloy 20

**Actuator:**

- Integral spring diaphragm
- Electric

**Trims:**

- Full stellite needle plug
- Multistep trim available
- Bellow seal

**Inherent Characteristic:**

- Linear

**Typical Applications:**

- Microflow applications
- Waste treatment plant

**Your distributor:**



ventes@fr-eps.com - [www.fr-eps.com](http://www.fr-eps.com)

## Benefits and Features

Created specifically for low flow applications, the **Masoneilan 28000 series Varipak** control valve provides excellent throttling control performance with a wide range of options and capabilities to meet your specific needs.

Designed with an extremely integrated and compact assembly, the valve key design features include:

- Heavy Top-Guiding
- Application Flexibility
- Adjustable Flow Coefficient ( $C_V$ )
- Compact Assembly
- Anti-Cavitation Trim
- Design Flexibility



### EASE OF MAINTENANCE

The Varipak control valve simple, top-entry, body construction includes an integrated body and bonnet design, which allows for easy access and removal of the quick change trim.

The integral liner and seat ring construction reduces the number of components, simplifying assembly and disassembly.

In addition, the modular actuator design further enhances the maintainability of this unique valve assembly.

### OPTIMIZED $C_V$ CHARACTERISTICS

The Varipak valve outshines conventional microflow valves with its support of a wide range of nominal  $C_V$  values (from 0.0016 to 3.8), using only eight plugs and five seats.



The **28000 Series Varipak** is a compact globe style valve specifically for microflow control. The Varipak includes an adjustable  $C_v$  feature between 100% and 40% that can meet applications requiring finer control. It is available with bellows seal and anti-cavitation trim options.

### TRIM

**Plug type:** Contoured, heavy top guided  
(Optional: Multi-staged anti-cavitation, Varilog)  
**Seat type:** Metal seat  
 **$C_v$  ratio:** 500:1 at max.  $C_v$  - 200:1 at min.  $C_v$   
**Flow:** Linear (trim No. 0 to 5)  
 Modified linear (trim No. 6 to 9)  
**Flow Direction:** Flow-to-open (Optional: flow-to-close)

### ACTUATOR

**Type:** Spring-opposed rolling diaphragm  
**Action:** Direct or reverse, easily performed without additional parts  
 **$C_v$  adjustment:** Optional adjustable knob/lever  
**Handwheel:** Optional top mounted  
**Air connection:** 1/8" NPT

### ACCESSORIES

- Pneumatic Positioner **Model 7700P**
- Electropneumatic Positioner **Model 7700E**

### NUMBERING SYSTEM

1st	2nd	3rd	4th	5th	Suffix
2		8			

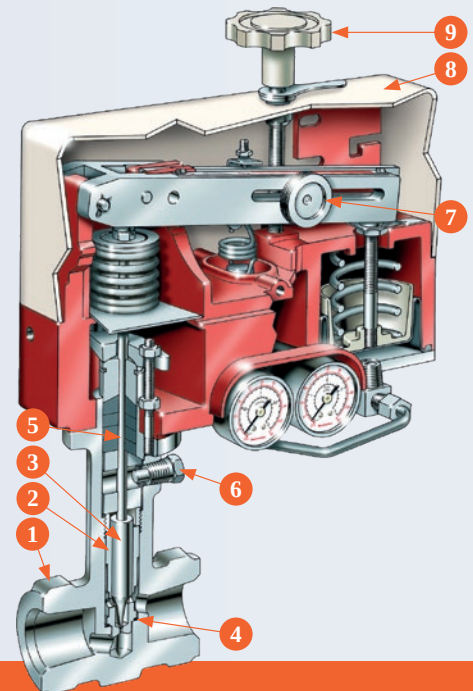
Actuator Type	Body Series	Actuator Mounting Position (see fig. below)	Trim N°	Max. $C_v$	Adjustable $C_v$	Construction Option
27 Air-to-Close	28	0 Undefined 1 (*) (**) 2 (**) 3 4 * Standard actuator mounting arrangement ** Flanged valve mounting position Face-to-face = 102 mm (4.02")	0	3.8	0 Undefined	Standard
28 Air-to-Open			1	2.3	1 Without	A Angle
			2	1.2	2 With	BS Bellows seal
			3	0.6		EB Cryogenic
			4	0.25		HP High pressure
			5	0.10		MS Anti-cavitation
			6	0.050		SP Special
			7	0.025		
			8	0.010		
			9	0.004		

### MODELS

- **Standard Flangeless / Flanged Varipak** (28000 Series)
- **Angle body Varipak** (28000 A Series)
- **Varilog® Anti-Cavitation Varipak** (28000 MS Series)
- **High Pressure Varipak** (28000 HP Series)
- **Bellows Seal Varipak** (28000 BS Series)
- **Cryogenic Varipak** (28000 EB Series)

### MATERIALS OF CONSTRUCTION (STANDARD)

- 1 **Body:** 316L Stainless Steel
- 2 **Seat:** Stainless Steel
- 3 **Plug:** Stainless Steel, Stellite or Equivalent
- 4 **Seat Ring:** Stainless Steel
- 5 **Packing:** Carbon Core bridged PTFE, Lattyflon
- 6 **Safety Pin:** Stainless Steel
- 7  **$C_v$  Adjustment Knob:** Stainless Steel
- 8 **Actuator Cover:** Polycarbonate
- 9 **Handwheel (optional):** Lexan + Austenitic Stainless Steel



*Maintenance* - E.P.&S. has tailored 2 kits for the 28000 Series Varipak®

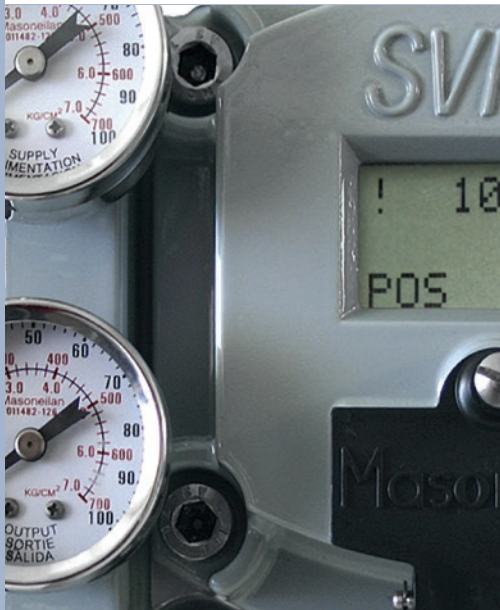
Our spares parts are divided in 2 kits, *Trim Repair Kit* and *Soft Good Repair Kit*:

Valve Serial Number	Tag Number	Valve Type Details	Part Number	Description	E.P.&S. Kit Reference
F-13-082958-001-01	LV 3100	28-28191 1" CV: 0.004	400068-541-579	PLUG	<b>Trim Repair Kit:</b> TK28-28191 - F-13-082958-001-01  <b>Soft Good Kit:</b> XX28-28191 - F-13-082958-001-01
			400068-535-567	SEAT RING CV .004	
			005675-803-919	PACKING RING	
			009191-743-918	SEAT RING GASKET	
			051324-001-250	RETAINER CLIP	
			029100-050-716	DIAPHRAGM 28K	
029000-180-215	RETAINER 28K				

# Masoneilan™ Smart Instrumentation

## Digital Valve Positioners and Software

**BAKER  
HUGHES**  
a GE company



### SVI® II AP Advanced Performance Digital Valve Positioner

**Communication Platform:** HART®

#### Signal - Supply - Features:

- 4-20 mA control signal
- Loop powered (9Vdc @ 20 mA)
- Supply pressure: 20 - 150 psi (1.4 - 10 bar)
- -40°C to 85°C (-40°F to +185°F)
- Standard or advanced diagnostics
- Single or double-acting
- Local Exd LCD and pushbuttons
- Local or remote-mount capable
- Built-in position transmitter and switches
- Non-contact travel sensor

#### Communication Software Interfaces:

- ValVue standalone
- Integrated (PLUG-IN, SNAP-ON, FDM)
- eDDL or DTM

#### Hazardous Area Certifications:

- ATEX, FM, IEC, GOST, KOSHA, NEPSI, INMETRO and CSA approvals
- Explosion proof and intrinsically safe
- Nuclear qualified per IEEE 323 - 2003, 344 - 2004, 382 - 1996

**Your distributor:**



ventes@fr-eps.com - [www.fr-eps.com](http://www.fr-eps.com)

### DIGITAL VALVE POSITIONERS

BHGE Masoneilan offers a portfolio of digital valve positioners that provide continuous, offline, online diagnostics for online control valve monitoring, high-end component health and predictive valve maintenance:

- SVI® FF
- SVI® II AP Advanced Performance (HART)
- SVI® II ESD Emergency Shutdown Device
- SVi1000
- FVP™ (Foundation Fieldbus)

#### Features & Benefits

- Reliability for higher output
- Platform flexibility for easy integration
- Online diagnostics for improved operation
- Superior control and accuracy



### VALVUE™ SOFTWARE

BHGE's Masoneilan ValVue software provides high performance digital process control and safety that facilitates smooth set-up and ongoing asset management. It is compatible with existing analog systems, on-line diagnostics, partial stroke testing and improved process yield.

#### Features & Benefits

- Remote management reduces unnecessary trips to hazardous areas to configure, calibrate, and diagnose control valves for improved safety
- User-friendly interface helps increase commissioning efficiency
- Electronic documentation of configuration and calibration results as well as built-in valve signature analysis helps reduce and even eliminate manual diagnostic results computation
- Capable of running various tests to measure the performance of a control valve and graphical viewing of various types of signatures for enhanced asset insight and management



Based in France and with a subsidiary in Cameroon, **E.P.&S.** is present and active in Western and Central Africa. The Company has been established for a number of years and works closely with its customers, thanks to a network of local partners.

We serve the following industries:

- **Oil and gas**  
(Production, treatment, refining, transportation, storage and distribution)
- **Petrochemical**
- **Chemical**
- **Food and beverage**
- **Pharmaceutical**
- **All processing industries** (Pulp and paper, cement, glass)
- **Water** (Processing & Treatment)

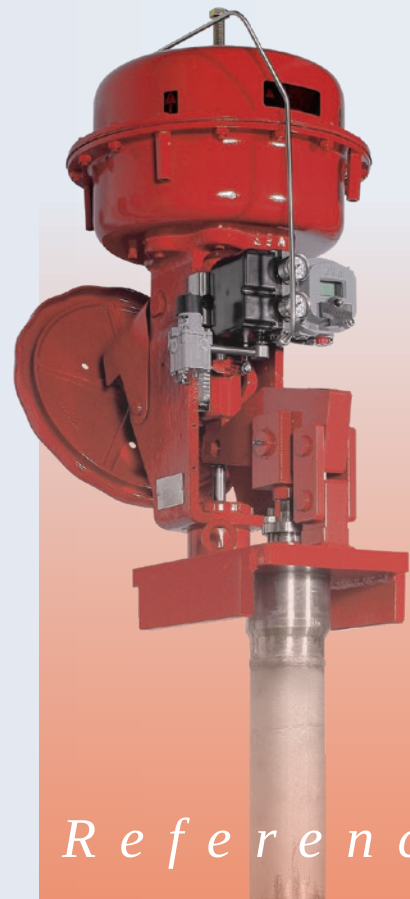
We provide our customers with the following services:

- Supply of specialized equipment (sourcing and delivery to end customers)
- Access to first-class manufacturers in our field of business, through our network of partners
- Training capabilities dedicated to the equipment we specialise in
- Technical and start up Assistance

Thanks to its flexible and stream-lined organization, strong presence in the field and technical expertise, we are able to react quickly to its customers enquiries and orders, and to provide a high quality response.

**E.P.&S.** is the distributor in Western and Central Africa for:

- **BHGE**  
**Masoneilan™** Control Valves and Positioners,  
**Bently Nevada™** Asset Protection and Condition Monitoring,  
**Mooney Regulator™**, **Becker Control Valves™**,  
**Consolidated™** Pressure Relief Valves
- **CDC** Rupture Discs
- **GROTH** Relief Valves
- **PEKOS** Manual and Actuated Ball Valves



## References

ACTEMIUM Congo, Angola, Cameroon  
 • ADDAX Cameroon, Gabon • ASSALA ENERGY Gabon • CHEVRON Angola  
 • CORAF Republic of Congo • COTCO Cameroon • EG LNG Equatorial Guinea  
 • ENI Congo, Angola • EXXON MOBIL Tchad, Equatorial Guinea, Angola • FOSTER WHEELER Cameroon • FOXTROT Ivory Coast • ICS Senegal • MAUREL & PROM Gabon • MEDIOR Congo • MODEC Ivory Coast, Ghana • OPS Angola • PALMOR Cameroon • PERENCO Congo, Gabon, Cameroon, Democratic Republic of Congo • PETROCI Ivory Coast • SABC Cameroon • SAIPEM Congo • SAR Senegal • SCCI Ivory Coast • SIPH Group • SIR Ivory Coast • SMB Ivory Coast • SBM-GEPSING Equatorial Guinea • SOGARA Gabon • SOMDIAA Group • SONANGOL Angola • SONARA Cameroon • SPIE Congo, Gabon • SUCRIVOIRE Ivory Coast • SUNDEEP Congo • TOR Ghana • TOTAL Congo, Gabon, Angola • TRIDENT ENERGY Equatorial Guinea • TROUVAY CAUVIN Ivory Coast, Senegal • • •





**Corinne DELAIRE**  
*Managing Director*  
 +33 (0)6 50 59 09 65  
 corinne.delaire@fr-eps.com



**Sylvain PRIEUR**  
*Sales Manager*  
 +33 (0)7 82 00 62 76  
 sylvain.prieur@fr-eps.com



**Adam GOSSELIN**  
*Technical Coordinator*  
 +33 (0)7 62 68 22 91  
 adam.gosselin@fr-eps.com



**Nathalie MARKSMAN**  
*Sales and Logistics Coordinator*  
 +33 (0)7 61 29 37 43  
 nathalie.marksman@fr-eps.com



**Gaylor LWAMBA**  
*Spare Part Business Manager*  
 +237 677 048 856  
 Gaylor.lwamba@fr-eps.com



**Boris LICK**  
*Sales Engineer*  
 +237 650 62 41 68  
 boris.lick@fr-eps.com



**Roberto ALBERIO**  
*Angola and Western Africa Outside Sales Engineer*  
 +33 (0)6 68 71 62 25  
 roberto.alberio@fr-eps.com



**Olavo CILO**  
*Angola Outside Sales Engineer*  
 +244 930 957 255  
 olavo.cilo@fr-eps.com



**Fabien ILIK**  
*Sales Assistant*  
 +237 672 705 050  
 assistance.douala@fr-eps.com



# ENGINEERED PRODUCTS & SERVICES



## FRANCE

24 bis rue de Picpus  
 75012 PARIS  
 +33 (0)9 83 01 21 01

## CAMEROON

Immeuble Carré d'Or,  
 Rue Njo-Njo  
 Bonapriso, DOUALA  
 +237 652 127 095

ventes@fr-eps.com  
[www.fr-eps.com](http://www.fr-eps.com)



ENGINEERED  
 PRODUCTS  
 & SERVICES **E.P.&S.**