

# Massey Ferguson GC1705 Deluxe Cab

\*\* Shown with optional equipment



Please note: Cab is shown with optional accessories.

## Massey GC1705 Cab

This ROPS cab is designed and built to fit the Massey Ferguson GC1705 and GC1715 tractor.

Designed and Built by:

**Tektite Manufacturing Inc:**

24157 Hwy 3

P.O. Box 639

Winkler, MB

R6W 4A8

Canada

PH: 204-331-3463

Fax: 204-331-4159

sales@tektite.ca

One year standard product warranty provided by Tektite.

[www.tektite.ca](http://www.tektite.ca)



## Caution

\*\* Please read installation instructions and follow all safety statements before attempting operating this ROPS product.

\*\* A copy of this operator manual should be kept with the machine operating manuals.

Tektite Manufacturing Incorporated thanks you for purchasing a Massey Ferguson GC1705 ROPS cab! Tektite has worked very hard to design and build this ROPS product and we hope that it provides you with many years of ROPS protection.

Tektite's ROPS products are designed to provide safe and dependable service during operation when they are properly maintained according to the instructions. Please read this operator manual carefully before using this ROPS product.

The photos/illustrations provided in this manual may not provide all the detail needed, and are for reference only.

All directions provided are from the reference point of the tractor seat facing the steering wheel. All left and right references are from this view point.

For reference, please fill in the information below. This will assist your dealer in providing service for this ROPS. It is advisable that this information be provided to your insurance company as well in the event that the tractor is lost or damaged.

Vehicle Model: \_\_\_\_\_

ROPS Serial Number: \_\_\_\_\_

Date of Purchase: \_\_\_\_\_

Dealer Name: \_\_\_\_\_

### Limited Warranty

Tektite Manufacturing Inc. (Tektite) warrants to the original purchaser (the "Claimant"), that Tektite products will be free from defective materials or workmanship, under normal use and service, for a period of (1) full year (or 1500 hours, whichever is less) from the original invoice date. Tektite's liability under this Limited Warranty is limited to the repair or (at the discretion of Tektite) the replacement of those components of its products, which were manufactured by Tektite that are defective in materials or workmanship. Tektite shall have no liability under this Limited Warranty unless Tektite is notified of the defect during the stated Warranty Period.

All returns require a Returned Material Authorization Number (RMA#). Warranty claims must be submitted to Tektite at 1-204-331-3463 prior to written authorization. All warranty work not pre-authorized by Tektite will not be covered by this warranty agreement. Claimant must arrange shipping of the returned and repaired or replaced product or component from Tektite plant in Winkler, Manitoba at the Claimant's own risk and expense. Tektite must receive all returns within (30) days of issuance of a RMA#. Limitations and Exclusions: Tektite has no responsibility to a Claimant under this Limited Warranty or on any other basis for any of the following:

- a) defects caused, in whole or in part, by accident or misuse, negligence or failure to maintain the product or component ;
- b) products or components sold to a customer on an "as is" basis;
- c) wiper blades, light bulbs, fuses, clear vinyl or other consumables;
- d) glass where the point of failure has not been preserved intact and delivered to Tektite for analysis of the cause of the failure;
- e) products or components which have been modified after shipping from Tektite to its customer;
- f) transportation charges for returned, repaired or replacement items;
- g) defects that are subject of an Tektite initiated recall where the Claimant fails to comply with the terms of the recall notice that comes to the attention of the Claimant;
- h) components of Tektite products that are manufactured by third parties (Tektite's only obligation in relation to such components shall be to accord to the Claimant the benefit of any transferable warranty accorded to Tektite by third party manufacturer);
- i) defects in workmanship or materials in products or components that are repaired or replaced by Tektite unless Tektite is notified of the new defect within the Warranty Period that applied to the original product or component that has been repaired or replaced;
- j) defects that result, in whole or in part, from inadequate engineering or specifications provided to Tektite by its customer;
- k) any actual or alleged deficiency in technical or engineering services or advice provided by Tektite to its customer whether provided for valuable consideration or otherwise;
- l) consequential damages, or any other damages whether foreseeable or not, resulting from the defect or any delay in remedying the defect; and
- m) any breach or alleged breach of any implied warranty of merchantability or fitness for particular purpose of use;
- n) defects or part failure due to misuse or failure to follow recommended cab installation procedures;
- o) travel expenses, including mileage.

This Limited Warranty expresses the entire obligation of Tektite, its officers, directors, agents and employees, to its customer or any Claimant in respect of any defect in workmanship, or materials of any product or component sold or manufactured by Tektite whether on grounds of breach of contract, negligence or other tortious liability, breach of express or implied warranty or other basis in law of any jurisdiction.

Acceptance by a customer of delivery of products of Tektite constitutes acceptance of this Limited Warranty in lieu of all other warranties express or implied including without limitation all implied warranties of merchantability or fitness for particular purpose or use and constitutes acceptance by customer of the exclusions and limitations of the liability of Tektite set out above.

\*Labor rate fixed at a maximum of \$75.00 per hour (U.S.) and \$75.00 per hour (CDN) based on Tektite determination of applicable hours.

## Safety Precautions

### *Safety First*

Read these instructions carefully. It is essential that you read the instructions and safety regulations before you attempt to assemble or use the features that are on this cab/ROPS.

**Danger:** Indicates an immediate hazardous situation which, if not avoided, will result in death or serious injury.

**Warning:** Indicates a potentially hazardous situation which, if not avoided, may result in death or serious injury.

**Caution:** Indicates a potentially hazardous situation which, if not avoided, may result in minor or moderate injury.

**Important:** Indicates that cab or property damage may result if instructions are not carefully followed.

**NOTE:** All products are designed to give safe, dependable service if they are operated and maintained according to instructions. It is the owner's responsibility to be certain anyone operating this product reads this manual, and all other applicable manuals, to become familiar with this cab and all safety precautions. Failure to do so could result in serious personal injury or cab damage. If you have any questions, consult your dealer. Read and understand this manual before operation.

**NOTE:** A safe operator is the best assurance against accidents. All operators, no matter how experienced they may be, should read this operator manual and all other related manuals before attempting to operate features in this cab/ROPS and operate the base tractor. Please read the following section and pay particular attention to all safety recommendations contained in this manual and those labelled on the cab and on the tractor.

## General Safety

1. Never let an unqualified or untrained driver operate the tractor.
2. Keep a fire extinguisher, with ABC rating securely fastened in the ROPS. Maintain it and be familiar with its use.
3. Do not carry passengers.
4. Never operate the tractor in a closed building for a prolonged period. Ensure adequate ventilation is present, as engine exhaust fumes are poisonous and can kill.
5. Always keep sleeves, jackets or other loose clothing relatively tight and belted. Loose clothing may catch on moving parts and result in severe personal injury or death.
6. Provide a first-aid kit, securely attached inside of the ROPS for use in case of accident.
7. Never jump from the tractor. There is a danger of tripping or falling on protruding parts.
8. Use steps and hand holds when mounting and dismounting the tractor, or for servicing components too high to reach from the ground.
9. When seated in the ROPS, fasten seat belt before starting the engine. A proper seat belt must be worn at all times when using a ROPS.
10. Safety devices and shields are intended to protect operators from injury or death. Under no circumstances should they be modified, disabled or removed.

## Operating Safety

1. Always operate the tractor controls while sitting in the operator's seat.
2. Lock seat in position and buckle seat belt before operating the tractor.
3. Avoid abrupt sharp turns at high speeds.
4. On sloped terrain, do not make sharp turns as machine stability could be compromised.
5. Operate the tractor smoothly, avoid abrupt starts and stops.
6. Keep all shields in place when operating the tractor.
7. Do not operate the tractor when you are tired, sick, or impaired.
8. Never operate the tractor in confined areas; visibility next to the tractor is reduced. Injury to bystanders or damage to the ROPS or equipment may result.

## Safety

Carefully review the procedures given in this manual and the tractor operator's manual with all operators annually. It is important that all operators become familiar with, and follow safety precautions. Operating instructions must be given to everyone using the tractor before operation and at least once yearly thereafter in compliance with OSHA Regulations 1928.57 (United States).

### **Safe Operation on Rough Terrain**

1. Drive the tractor slowly on hillsides and curves to eliminate the danger of tipping. Avoid slopes which are too steep for safe operation. Avoid sharp uphill turns.
2. Always drive slowly enough over rough ground or obstructions. Drive at speeds slow enough to ensure your safety.
3. When driving out of a ditch, gully, or up a steep hillside, engage the clutch slowly. Avoid sharp uphill turns.
4. When descending steep grades, select a sufficiently low gear to maintain control with minimum use of braking.
5. Use caution when driving near the edge of a ditch or gully. It may cave in, causing the tractor to roll over.
6. Be alert when operating near trees, slopes and around obstructions. Tree branches can cause damage to ROPS components.

### **Maintenance Safety**

1. Remove mud, crop residue, chains, and tools from steps and operator's platform. They may interfere with pedal operation or entry/exit from tractor.
2. When servicing components are too high to reach from the ground use steps and handholds. Do not use fenders or shields that are not designed as steps.

### **Safe Highway Operation**

1. Before operating the tractor on, or near, public roadways check with your local authorities for any local regulations that will affect you.
2. Equip towed implements with slow moving vehicle (SMV) signs when traveling on public roads.
3. Install additional lights on implement rear to safeguard against rear end collisions.
4. Use hazard warning flashers as required by law when transporting or driving on public roads. If the tractor had warning flashers removed when mounting the ROPS, they must be replaced prior to operation on public roads.
5. Keep to the right, yielding right-of-way traffic, especially if pulling implements. Pull off the road and stop to allow motorists to pass. Drive on the road shoulder, if permitted by law.
6. Use extreme caution when pulling heavy loads at road speeds. Avoid hard application of the tractor brakes at high speed.
7. Always drive slowly near curbs, approaches or ditches.
8. If equipped, ensure headlights are aligned so they will not blind the operator's of oncoming vehicles. If the tractor is not equipped with turn signals and law requires them, install them prior to operating on or near public roads.

9. Use your turn signals, checking for traffic well in advance of turning. If the tractor is not equipped with turn signals and law requires them, install them prior to operating on or near public roads.

### **Safety Decals**

1. Keep decals clean. Remove dirt with a wet clean cloth when necessary.
2. Replace safety decals if destroyed, missing, painted over or unreadable. If any safety decals are covered or obscured when the ROPS is mounted, it is recommended that you purchase replacement decals from the tractor manufacturer. Mount them in a readable location at, or near, their original location before operating the tractor.
3. New ROPS decals and tractor decals are available from your tractor dealer.

### **ROPS Safety**

1. Install the ROPS in accordance with Tektite mounting instructions. Failure to do so may affect the ROPS ability to withstand a roll over.
2. If the ROPS is subjected to alteration, structural damage or involved in an over turn accident, the entire structure must be replaced. Failure to do so may result in injury or death in the event of a roll over.
3. If the tractor is not equipped with seat belts, purchase approved seat belts from the tractor manufacturer or Tektite prior to operating the tractor.
4. Always fasten seat belts prior to operating the tractor.
5. Always operate the tractor from the operator's seat.
6. Remove mud, crop residue, chains and tools from steps and operator's platform. They may interfere with pedal operation or entry/exit from the tractor.
7. Remove all loose chains, tools, and equipment from the operator's platform. Failure to do so may cause injury or death in the event of a roll over.
8. Do not install the ROPS on a tractor model that the ROPS is not designated for (compatible tractor designations are printed on the ROPS serial number plate). The ROPS is designed specifically for individual models to ensure ROPS requirements will be met. Installing the ROPS on a non designated tractor may result in injury or death.

### **Emergency Exits**

The economy ROPS cab has one door. However, all vinyl panels are fastened with buttons, so escape window or rear window may be used in an emergency by pushing out the vinyl and unsnapping the buttons.

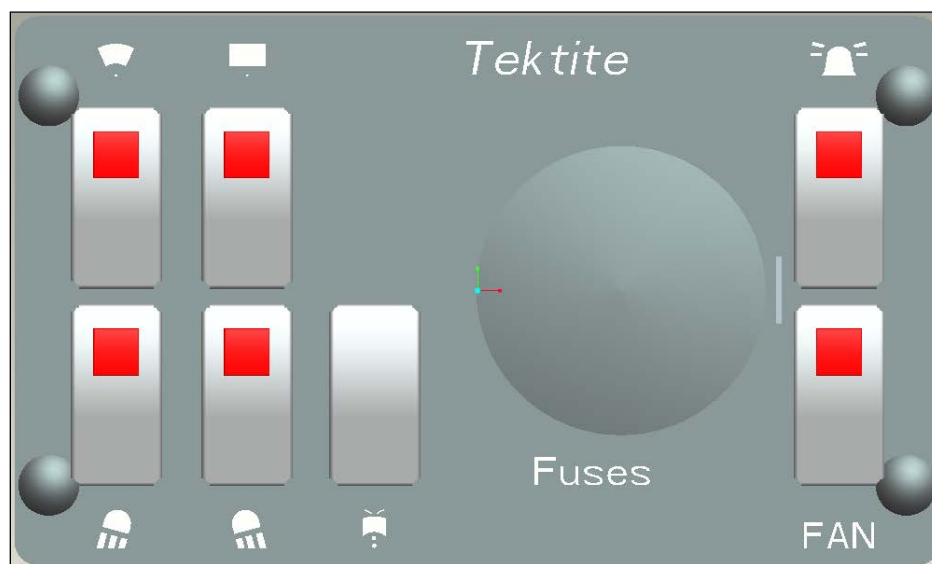
The deluxe ROPS cab has two doors. Either one can be used during an emergency.

## Operating Instructions

### Important

The following section locates, identifies and briefly describes the functions of all cab controls. All operators should familiarize themselves with control location and function prior to operating the tractor. Failure to do so may result in unsafe operation of the tractor and possible injury or death to operators and bystanders.

There is one switch plate located in the cab. The following switches are available and their functionality is described.



### Cab Switch Plate

#### 1. Front Wiper Rocker Switch (standard)

Low position: Off

High position: On

Note: indicator light activates when wiper is on.

#### 2. Rear Wiper Rocker Switch (not available on all models)

Low position: Off

High position: On

Note: indicator light activates when wiper is on.

#### 3. Front Work Light Rocker Switch (optional)

Low position: Off

High position: On

Note: indicator light activates when work lights are on.



**4. Rear Work Light Rocker Switch (optional)**

Low position: Off

High position: On

Note: indicator light activates when work light is on.

**5. Washer Momentary Switch (Front and Rear optional)**

Low position: On

Mid position: Off

High Position: On

**6. Beacon Rocker Switch (optional)**

Low position: Off

High position: On

Note: indicator light activates when work lights are on.

**7. Water Heater Fan Rocker Switch (optional)**

Low position: Off

High position: On

Note: indicator light activates when work lights are on.

Standard and optional features are individually fused, and the fuses can be accessed behind the plug in the middle of the switch-plate.

**Cab Circuit Protection**

The Tektite ROPS cab is wired to provide maximum protection against individual circuit overload. All optional components are fused internally behind the cab switch plate. The remainder of switch controlled options in the switch plate are activated when key source is activated.

**GC1705 Deluxe Cab**

The deluxe GC1705 cab is designed to provide ROPS protection along with reasonable winter weather protection. The deluxe cab design for this model features glass windows at all window locations. The Massey GC1705 tractor draws its air intake from underneath the steering wheel, so the tractor cab cannot be completely sealed, otherwise it will starve the engine for air.

In the summer, un-hook the gas shocks on each door, and then lift the doors off of the pin hinges if you are going to be running the tractor with the cab on during the summer months.

## **After your ROPS Cab has been installed:**

Before starting a tractor equipped with a Tektite ROPS cab:

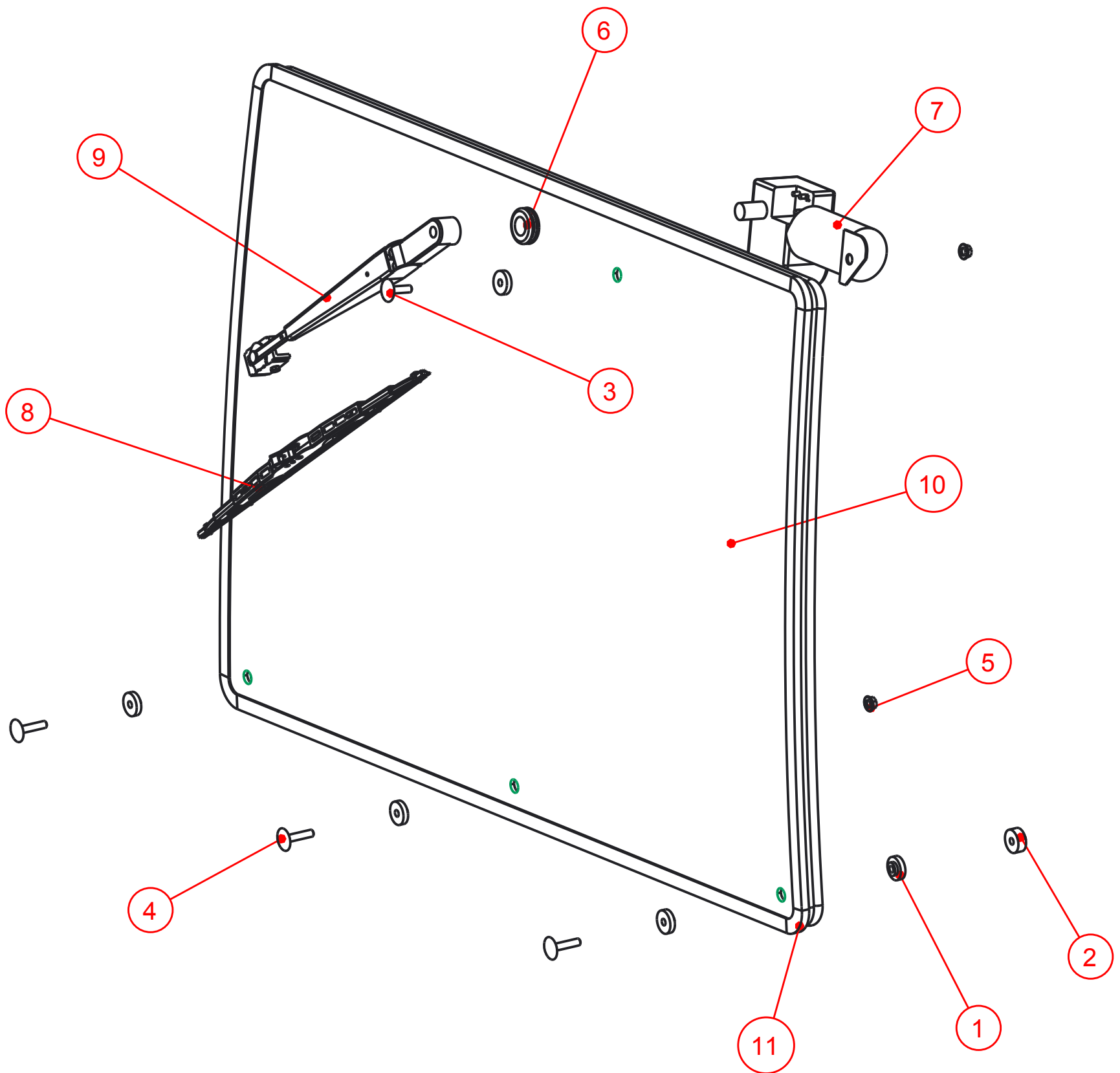
1. Clear the operator platform of all tools. Tools left in or around the ROPS and tractor can cause operator interference which could lead to bodily injury and/or damage the machine.
2. Inspect the ROPS and tractor to ensure all bolts are tight and re-tighten if required.
3. Ensure that all pedals, levers, and controls have adequate clearance for normal operation.
4. Ensure that all electrical components of both the ROPS and tractor operate normally.
5. Ensure your door latches properly onto the striker pin. Immediately after installation, the ROPS frame may flex slightly from installation, and the door latch will need to be re-aligned for proper operation. Loosen the striker pin, striker mounting plate and door latch as necessary to get a proper alignment of the door striker.

## **Service Parts Breakdowns:**

Following are parts breakdowns for components that may require service parts replacement during the life of the ROPS. If you require replacement parts, please contact the dealer that you purchased the ROPS from and indicate which parts you require.

Please note that both the deluxe and economy breakdowns are included with this manual.

Index	Service Part #	File Name	Description	Qty
1	A00-0013	TEKT-0009	5MM Bushing	8
2	A00-0014	TEKT-0092	Thick Bushing	3
3	A00-0019	STEP-BOLT1-4X1	Step Bolt, 1/4" x 1", MB	1
4	A00-0020	STEP-BOLT1-4X1-1-4	Step Bolt, 1/4" x 1 1/4", MB	3
5	A00-0021	FLANGE-NUT-1-4	Flange Nut, 1/4", YD	4
6	A00-0033	315-080	Rear Wiper Shaft Grommet	1
7	A00-0043	WWF-MOTOR	WWF Wiper Motor, 1" Shaft	1
8	A00-0109	302-1160_BLADE	Wiper Blade, 16", Narrow Saddle	1
9	A00-0312	TEKT-ASM-049	WWF, Adjustable Radial Arm, 12 1/2" Length	1
10	M03-0004	MFGC1705-037	Upper Windshield Glass	1
11	M03-0010	MFGC1705-067_	Windshield Seal	1



SCALE 0.220

Notice of Confidentiality

This material is property of Tektite Manufacturing Inc and is not to be used by the recipient for any purpose other than the purpose for which it was transmitted. The material remains the property of Tektite and shall be returned upon request. The material may not be reproduced or disclosed to third parties without the written consent of Tektite.

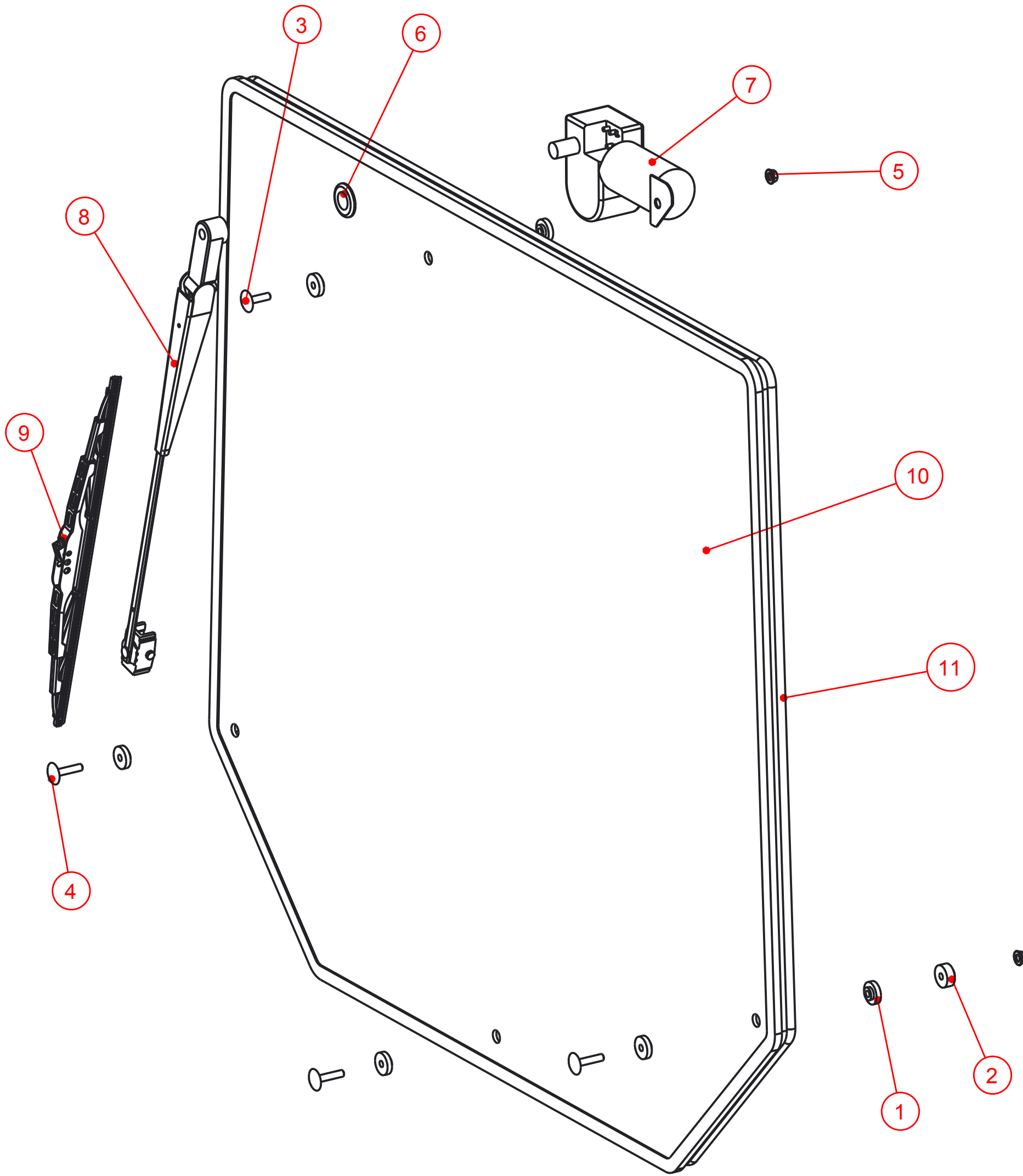
**Tolerances:**  
Unless otherwise specified  
X.X = ± 1/16"  
Angular = ± 1.0°

**Tektite Manufacturing Inc.**

24157 Hwy 3, Box 639, Winkler MB, R6W 4A8, Canada

Req'd: <b>1 req</b>	CNC:	Description: <b>Windshield Assembly</b>	
Drawn By: <i>Daryl Furkalo</i>	Date: 2014-09-23	Units: <b>Imp.</b>	File Name: MFGC1705-ASM-19_OP
Checked By:	Date:	Size: <b>B</b>	

Index	Service Part #	File Name	Description	Qty
1	A00-0013	TEKT-0009	5MM Bushing	8
2	A00-0014	TEKT-0092	Thick Bushing	3
3	A00-0019	STEP-BOLT1-4X1	Step Bolt, 1/4" x 1", MB	1
4	A00-0020	STEP-BOLT1-4X1-1-4	Step Bolt, 1/4" x 1 1/4", MB	3
5	A00-0021	FLANGE-NUT-1-4	Flange Nut, 1/4", YD	4
6	A00-0033	315-080	Rear Wiper Shaft Grommet	1
7	A00-0043	WWF-MOTOR	WWF Wiper Motor, 1" Shaft	1
8	A00-0108	TEKT-ASM-037	WWF, Adjustable Radial Arm, 15" to 19"	1
9	A00-0109	302-1160_BLADE	Wiper Blade, 16", Narrow Saddle	1
10	M03-0005	MFGC1705-050	Rear Window Glass	1
11	M03-0009	MFGC1705-066_	Rear Window Seal	1



**Tektite Manufacturing Inc.**  
24157 Hwy 3, Box 639, Winkler MB, R6W 4A8, Canada

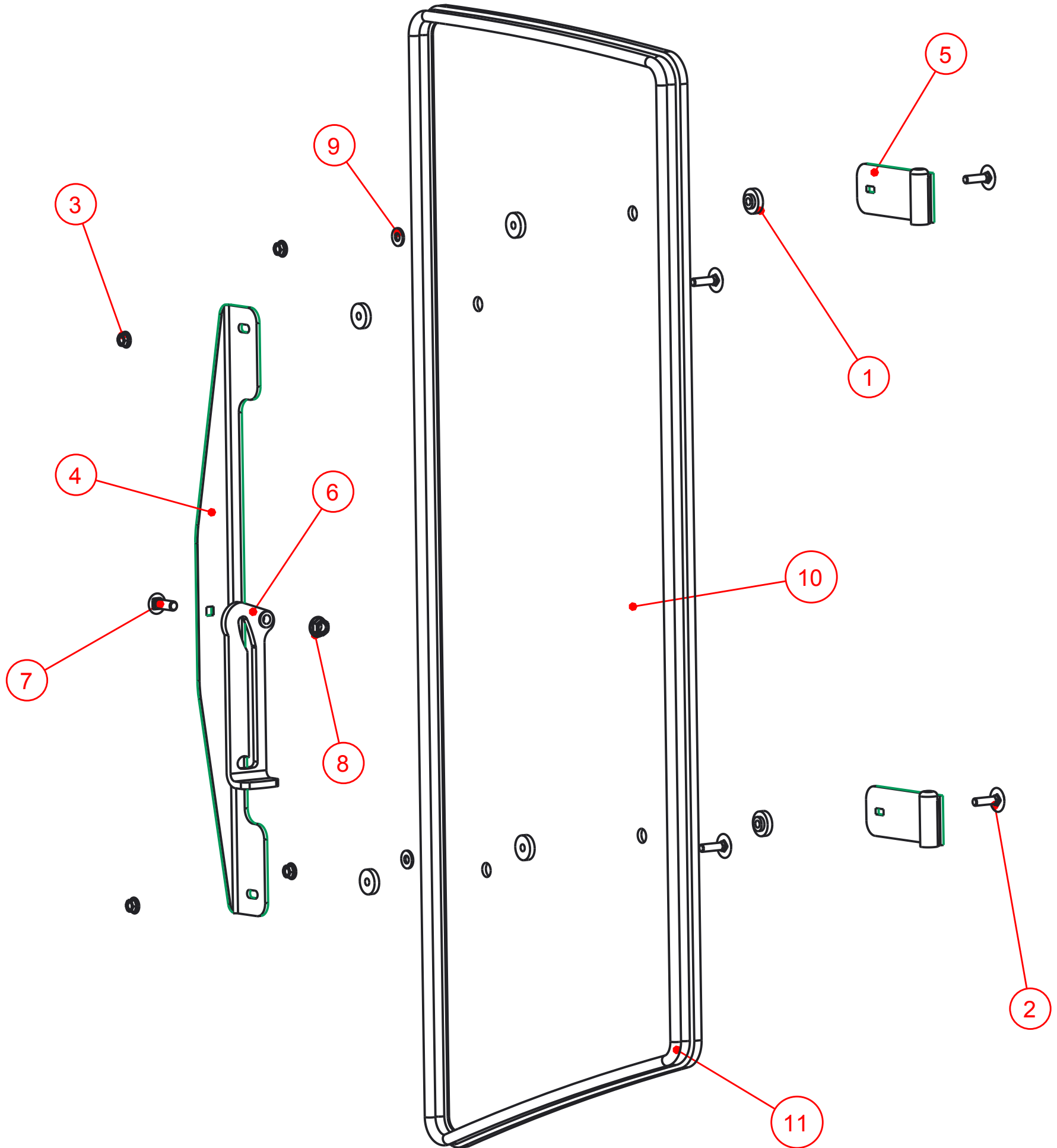
**Notice of Confidentiality**

This material is property of Tektite Manufacturing Inc and is not to be used by the recipient for any purpose other than the purpose for which it was transmitted. The material remains the property of Tektite and shall be returned upon request. The material may not be reproduced or disclosed to third parties without the written consent of Tektite.

**Tolerances:**  
Unless otherwise specified  
X.X = ± 1/16"  
Angular = ± 1.0°

Req'd: <b>1 req</b>	CNC:	Description: <b>Rear Window Assembly</b>	
Drawn By: <i>Daryl Furkalo</i>	Date: 2014-09-23	Units: <b>Imp.</b>	File Name: MFGC1705-ASM-18_OP
Checked By:	Date:	Size: <b>B</b>	

Index	Service Part #	File Name	Description	Qty
1	A00-0013	TEKT-0009	5MM Bushing	8
2	A00-0019	STEP-BOLT1-4X1	Step Bolt, 1/4" x 1", MB	4
3	A00-0021	FLANGE-NUT-1-4	Flange Nut, 1/4", YD	4
4	A00-0045	TEKT-0004	Side Window Slider Bracket	1
5	A00-0046	TEKT-ASM-002R	Side Window Hinge Right	2
6	A00-0056	TEKT-0020	Side Window Latch, L60775	1
7	A00-0058	CARRIAGE_BOLT-5-16X1	Bolt, Carriage, 5/16"x 1", YD	1
8	A00-0059	FLANGE-NUT-5-16	Flange Nut, 5/16", YD	1
9	A00-0119	WASHER_1-4	Washer, Flat, 1/4"	2
10	M03-0002	MFGC1705-027	Side Window Glass	1
11	M03-0008	MFGC1705-065_R	Side Window Seal	1



SCALE 0.250

Notice of Confidentiality

This material is property of Tektite Manufacturing Inc and is not to be used by the recipient for any purpose other than the purpose for which it was transmitted. The material remains the property of Tektite and shall be returned upon request. The material may not be reproduced or disclosed to third parties without the written consent of Tektite.

**Tolerances:**  
Unless otherwise specified

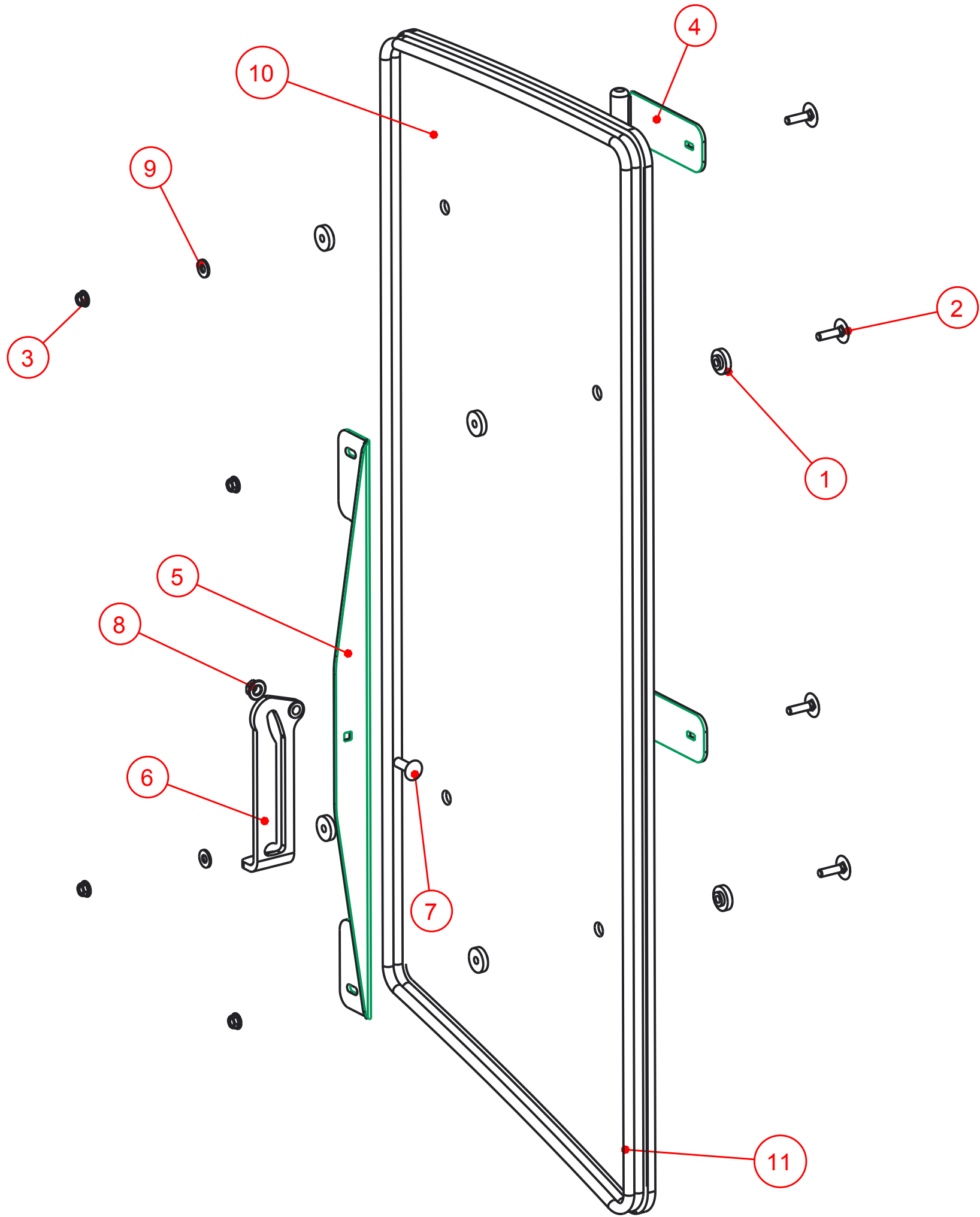
X.X =  $\pm 1/16"$   
Angular =  $\pm 1.0^\circ$

**Tektite Manufacturing Inc.**

24157 Hwy 3, Box 639, Winkler MB, R6W 4A8, Canada

Req'd: <b>1 req</b>	CNC:	Description: <b>Right Side Window Assembly</b>	
Drawn By: <i>Daryl Furkalo</i>	Date: 2014-09-23	Units: <b>Imp.</b>	File Name: MFGC1705-ASM-13R_OP
Checked By:	Date:	Size: <b>B</b>	

Index	Service Part #	File Name	Description	Qty
1	A00-0013	TEKT-0009	5MM Bushing	8
2	A00-0019	STEP-BOLT1-4X1	Step Bolt, 1/4" x 1", MB	4
3	A00-0021	FLANGE-NUT-1-4	Flange Nut, 1/4", YD	4
4	A00-0044	TEKT-ASM-002	Side Window Hinge Weldment	2
5	A00-0045	TEKT-0004	Side Window Slider Bracket	1
6	A00-0057	TEKT-0020MIR	Side Window Latch, L60776	1
7	A00-0058	CARRIAGE_BOLT-5-16X1	Bolt, Carriage, 5/16"x 1", YD	1
8	A00-0059	FLANGE-NUT-5-16	Flange Nut, 5/16", YD	1
9	A00-0119	WASHER_1-4	Washer, Flat, 1/4"	2
10	M03-0002	MFGC1705-027	Side Window Glass	1
11	M03-0008	MFGC1705-065_	Side Window Seal	1



SCALE 0.250

Notice of Confidentiality

This material is property of Tektite Manufacturing Inc and is not to be used by the recipient for any purpose other than the purpose for which it was transmitted. The material remains the property of Tektite and shall be returned upon request. The material may not be reproduced or disclosed to third parties without the written consent of Tektite.

Tolerances:  
Unless otherwise specified

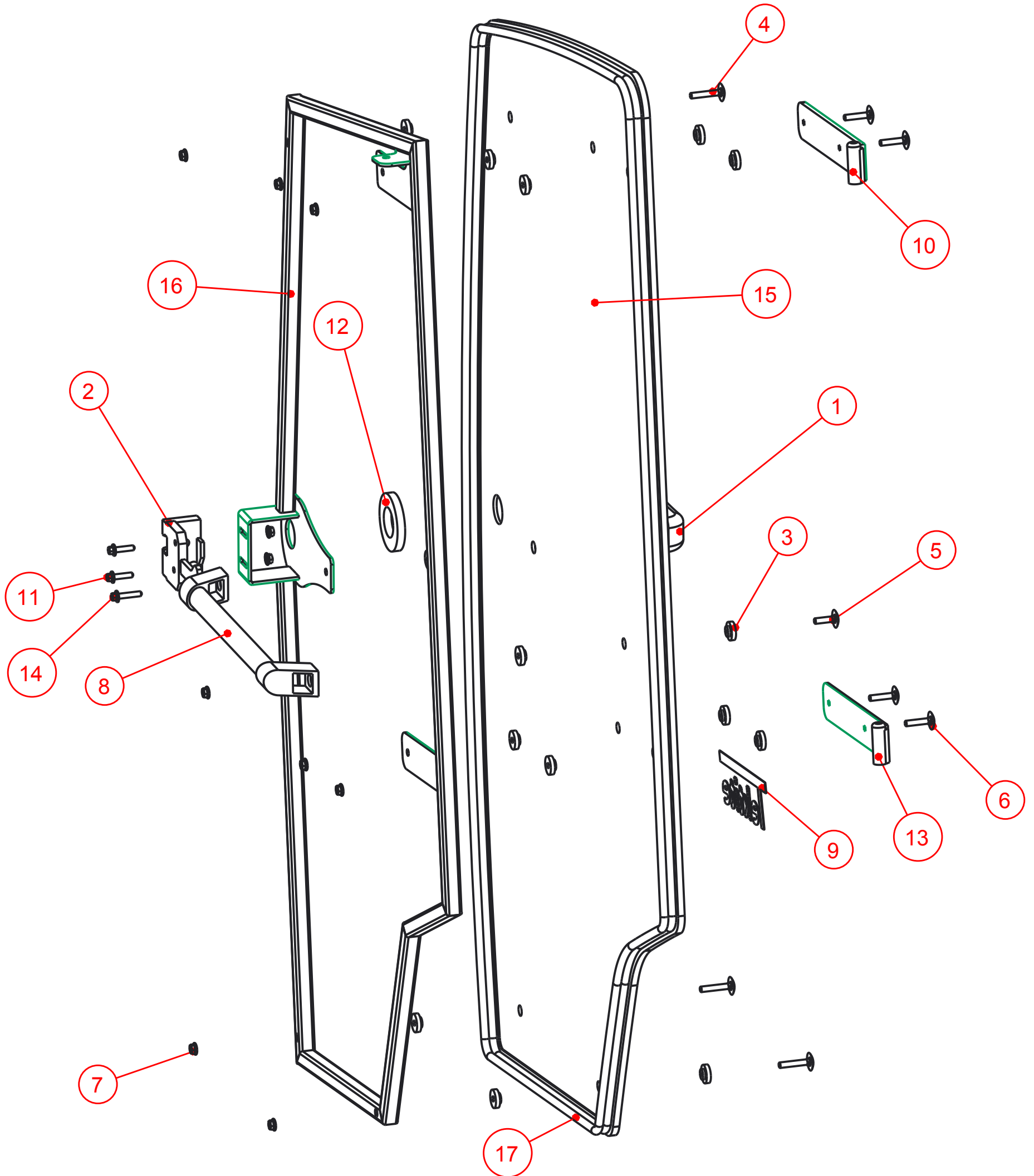
X.X =  $\pm 1/16"$   
Angular =  $\pm 1.0^\circ$

Tektite Manufacturing Inc.

24157 Hwy 3, Box 639, Winkler MB, R6W 4A8, Canada

Req'd: <b>1 req</b>	CNC:	Description: <b>Left Side Window Assembly</b>	
Drawn By: <i>Daryl Furkalo</i>	Date: 2014-09-23	Units: <b>Imp.</b>	File Name: MFGC1705-ASM-13_OP
Checked By:	Date:	Size: <b>B</b>	

Index	Service Part #	File Name	Description	Qty
1	A00-0001	DLP-HANDLE	Outside Push Button Handle	1
2	A00-0003	RIGHT-LATCH	Suicide Door Right Latch	1
3	A00-0013	TEKT-0009	5MM Bushing	17
4	A00-0018	STEP-BOLT1-4X1-1-2	Step Bolt, 1/4" x 1 1/2", MB	3
5	A00-0019	STEP-BOLT1-4X1	Step Bolt, 1/4" x 1", MB	1
6	A00-0020	STEP-BOLT1-4X1-1-4	Step Bolt, 1/4" x 1 1/4", MB	4
7	A00-0021	FLANGE-NUT-1-4	Flange Nut, 1/4", YD	10
8	A00-0040	REID-RST-160-RST-163	Grab Handle	1
9	A00-0041	TEKTITE-DECAL	Tektite Cab Decal - Solid White	1
10	A00-0042	TEKT-ASM-001R	Right Cab Door Hinge Weldment, Upper	1
11	A00-0118	FLANGE_BOLT_1-4X1	Flange Bolt, 1/4" x 1", YD	2
12	A00-0177	TEKT-0068	Handle Washer Spacer	1
13	A00-0229	TEKT-ASM-029R	Right Door Hinge Weldment, Lower	1
14	A00-0295	FLANGE_BOLT_M6X30	Flange Bolt, M6x30, YD	1
15	M03-0001	MFGC1705-026	Door Glass	1
16	M03-0006	MFGC1705-ASM-09R	Right Door Frame Weldment	1
17	M03-0007	MFGC1705-063_R	Door Seal	1



**Tektite Manufacturing Inc.**  
24157 Hwy 3, Box 639, Winkler MB, R6W 4A8, Canada

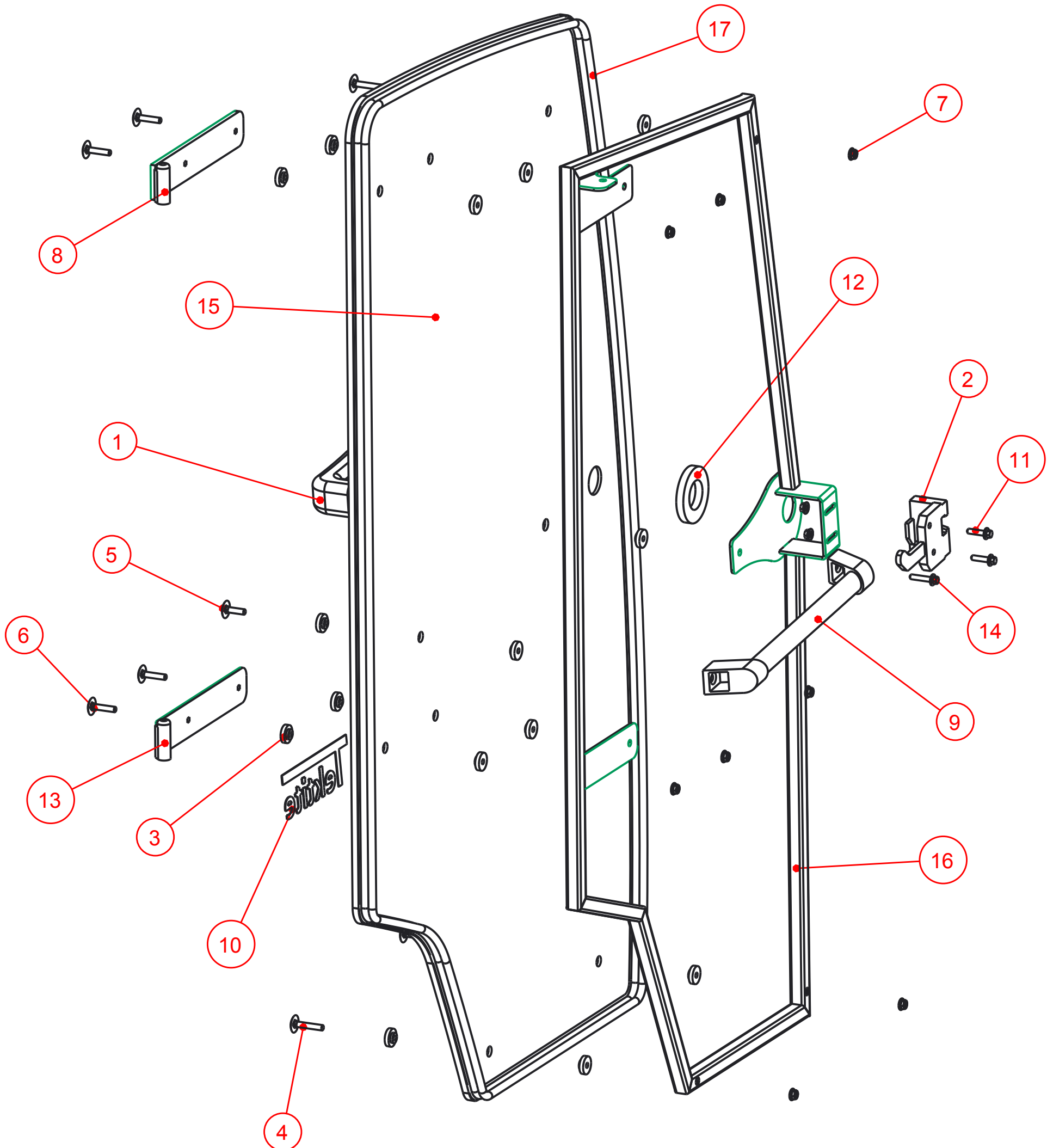
**Notice of Confidentiality**

This material is property of Tektite Manufacturing Inc and is not to be used by the recipient for any purpose other than the purpose for which it was transmitted. The material remains the property of Tektite and shall be returned upon request. The material may not be reproduced or disclosed to third parties without the written consent of Tektite.

**Tolerances:**  
Unless otherwise specified  
X.X = ± 1/16"  
Angular = ± 1.0°

Req'd: <b>1 req</b>	CNC:	Description: <b>Right Door Assembly</b>	
Drawn By: <i>Daryl Furkalo</i>	Date: 2014-09-23	Units: <b>Imp.</b>	File Name: MFGC1705-ASM-07R_OP
Checked By:	Date:	Size: <b>B</b>	

Index	Service Part #	File Name	Description	Qty
1	A00-0001	DLP-HANDLE	Outside Push Button Handle	1
2	A00-0002	LEFT-LATCH	Suicide Door Left Latch	1
3	A00-0013	TEKT-0009	5MM Bushing	17
4	A00-0018	STEP-BOLT1-4X1-1-2	Step Bolt, 1/4" x 1 1/2", MB	3
5	A00-0019	STEP-BOLT1-4X1	Step Bolt, 1/4" x 1", MB	1
6	A00-0020	STEP-BOLT1-4X1-1-4	Step Bolt, 1/4" x 1 1/4", MB	4
7	A00-0021	FLANGE-NUT-1-4	Flange Nut, 1/4", YD	10
8	A00-0039	TEKT-ASM-001	Left Door Hinge Weldment, Upper	1
9	A00-0040	REID-RST-160-RST-163	Grab Handle	1
10	A00-0041	TEKTITE-DECAL	Tektite Cab Decal - Solid White	1
11	A00-0118	FLANGE_BOLT_1-4X1	Flange Bolt, 1/4" x 1", YD	2
12	A00-0177	TEKT-0068	Handle Washer Spacer	1
13	A00-0228	TEKT-ASM-029	Left Door Hinge Weldment, Lower	1
14	A00-0295	FLANGE_BOLT_M6X30	Flange Bolt, M6x30, YD	1
15	M03-0001	MFGC1705-026	Door Glass	1
16	M03-0003	MFGC1705-ASM-09	Left Door Frame Weldment	1
17	M03-0007	MFGC1705-063_	Door Seal	1



**Tektite Manufacturing Inc.**  
24157 Hwy 3, Box 639, Winkler MB, R6W 4A8, Canada

**Notice of Confidentiality**

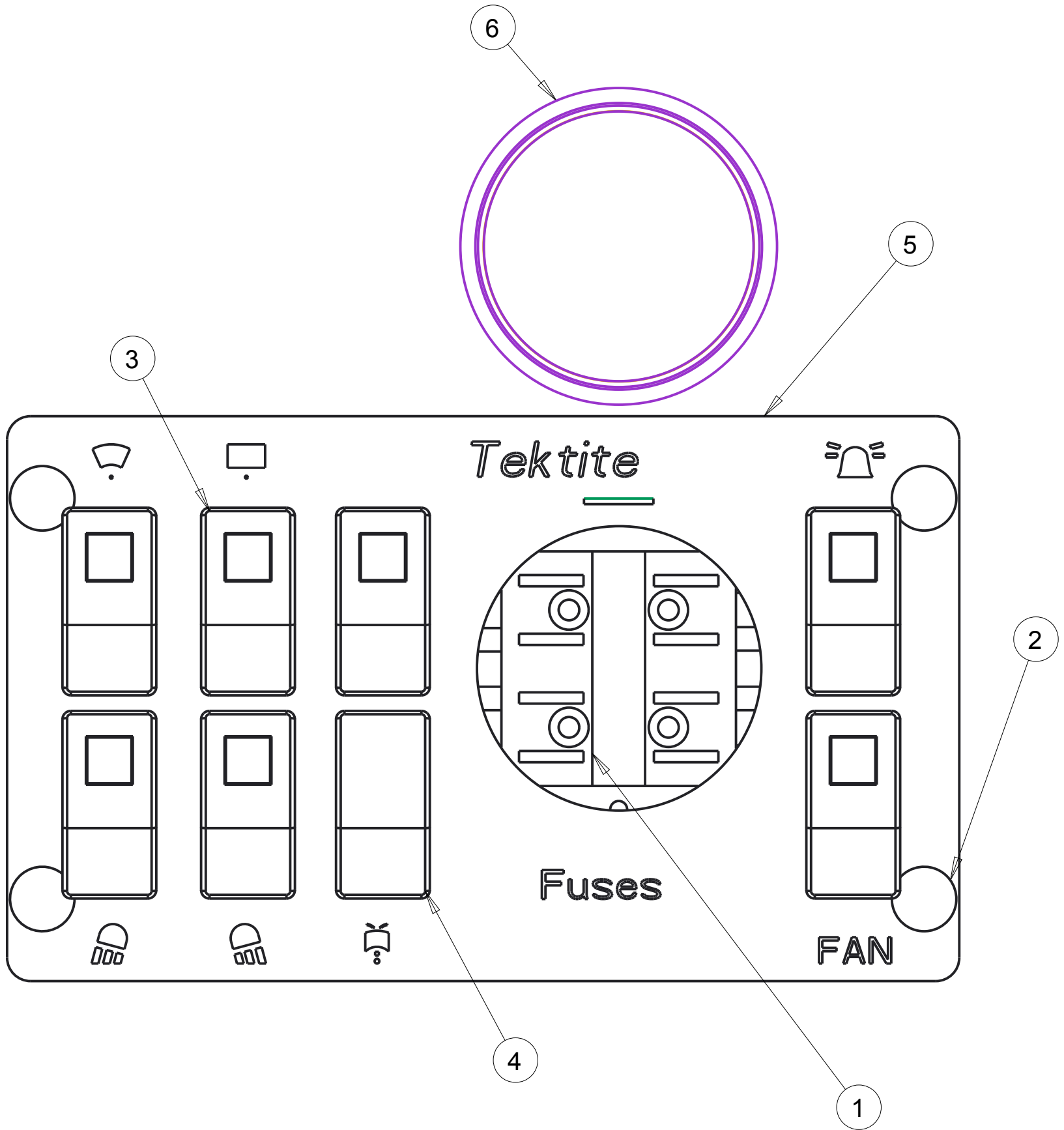
This material is property of Tektite Manufacturing Inc and is not to be used by the recipient for any purpose other than the purpose for which it was transmitted. The material remains the property of Tektite and shall be returned upon request. The material may not be reproduced or disclosed to third parties without the written consent of Tektite.

**Tolerances:**  
Unless otherwise specified  
X.X = ± 1/16"  
Angular = ± 1.0°

Req'd: <b>1 req</b>	CNC:	Description: <b>Left Door Assembly</b>	
Drawn By: <i>Daryl Furkalo</i>	Date: 2014-09-23	Units: <b>Imp.</b>	File Name: MFGC1705-ASM-07_OP
Checked By:	Date:	Size: <b>B</b>	



Index	Service Part #	File Name	Description	Qty
1	A00-0024	BUSS-15600-08-11	Power Block/Ground	1
2	A00-0055	TEKT-0019	Fir Tree Fastener	4
3	A00-0065	TEKT-ASM-005	On-Off Switch w/Lens	7
4	A00-0067	TEKT-ASM-007	Mom-Off-Mom Rocker Switch	1
5	A00-0223	TEKT-ASM-013	Steel Top Switchplate w/Decal	1
6	A00-0224	TEKT-0104	3" Plug, Steel Top	1



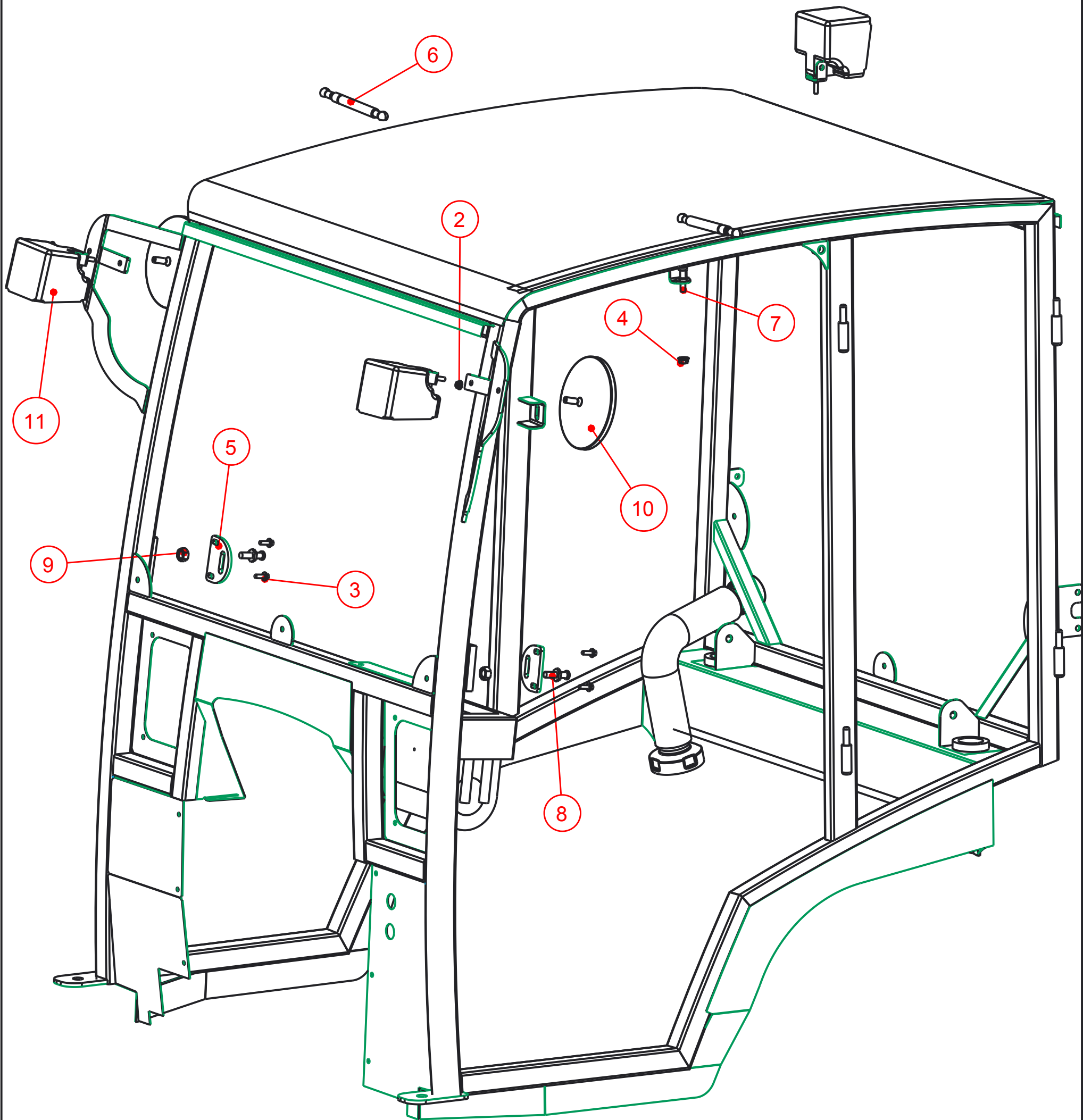
**Notice of Confidentiality**

This material is property of Tektite Manufacturing Inc and is not to be used by the recipient for any purpose other than the purpose for which it was transmitted. The material remains the property of Tektite and shall be returned upon request. The material may not be reproduced or disclosed to third parties without the written consent of Tektite.

**Tolerances:**  
 Unless otherwise specified  
 X.X = ± 1/16"  
 Angular = ± 1.0°

<b>Tektite Manufacturing Inc.</b> 24157 Hwy 3, Box 639, Winkler MB, R6W 4A8, Canada			
Req'd:	CNC:	Description: <b>Steel Top Switchplate Assembly</b>	
Drawn By: <i>Daryl Furkalo</i>	Date: 2013-07-05	Units: <b>Imp.</b>	File Name: TEKT-ASM-027
Checked By:	Date:	Size: <b>B</b>	

Index	Service Part #	File Name	Description	Qty
1		MFGC1705-ASM-16		1
2	A00-0021	FLANGE-NUT-1-4	Flange Nut, 1/4", YD	2
3	A00-0023	FLANGE_BOLT_1-4X3-4	Flange Bolt, 1/4" x 3/4", YD	4
4	A00-0059	FLANGE-NUT-5-16	Flange Nut, 5/16", YD	2
5	A00-0061	TEKT-0021	Striker Mounting Plate	2
6	A00-0084	TEKT-0070	Gas Shock	2
7	A00-0085	TEKT-0069	Gas Shock Stud	2
8	A00-0101	STRIKER-PIN	Striker Pin	2
9	A00-0103	HEX-NUT-M12X1	Hex Nut, M12 x 1.0, YD	2
10	A00-0141	ROUND_MIRROR_6_INCH	External 6" Mirror	2
11	A00-0313	TEKT-ASM-050	Oct 2014 Work Light	3



**Tektite Manufacturing Inc.**  
24157 Hwy 3, Box 639, Winkler MB, R6W 4A8, Canada

### Notice of Confidentiality

This material is property of Tektite Manufacturing Inc and is not to be used by the recipient for any purpose other than the purpose for which it was transmitted. The material remains the property of Tektite and shall be returned upon request. The material may not be reproduced or disclosed to third parties without the written consent of Tektite.

### Tolerances:

Unless otherwise specified

X.X =  $\pm 1/16"$   
Angular =  $\pm 1.0^\circ$

Req'd:	CNC:	Description:	
		<b>Accessories</b>	
Drawn By:	Date:	Units:	File Name:
<i>Daryl Furkalo</i>	2014-11-27	Imp.	MFGC1705-ASM-20
Checked By:	Date:	Size:	
		B	